

CAT NO	CONDUCTOR	FIG NO	STUD SIZE	STUD HOLE DIA. K	L	N	O.D.	T	H	C	WIRE STRIP LENGTH
KASB28U2N	2/0-4/0 AWG	3	1/2	0.56	5.85	0.63	1.25	0.40	1.35	1.10	1.95
KASB28U12	2/0-4/0 AWG	4	1/2	0.56	4.10	0.63	1.25	0.40	1.35	1.10	1.95
KASB28U38	2/0-4/0 AWG	4	3/8	0.41	3.89	0.41	1.25	0.40	1.35	1.10	1.95
KASB31U2N	250-350 KCMIL	3	1/2	0.56	5.90	0.63	1.50	0.40	1.60	1.22	1.95
KASB31U12	250-350 KCMIL	4	1/2	0.56	4.15	0.63	1.50	0.40	1.60	1.22	1.95
KASB31U38	250-350 KCMIL	4	3/8	0.41	3.94	0.41	1.50	0.40	1.60	1.22	1.95
KASB34U2N	350-500 KCMIL	1	1/2	0.56	6.95	0.63	1.75	0.50	1.85	1.46	3.00
KASB34U12	350-500 KCMIL	2	1/2	0.56	5.19	0.63	1.75	0.50	1.85	1.46	3.00
KASB34U38	350-500 KCMIL	2	3/8	0.41	4.97	0.41	1.75	0.50	1.85	1.46	3.00
KASB34U58	350-500 KCMIL	2	5/8	0.69	5.29	0.66	1.75	0.50	1.85	1.46	3.00
KASB39U2N	600-750 KCMIL	1	1/2	0.56	6.95	0.63	1.90	0.62	2.00	1.67	3.00
KASB39U12	600-750 KCMIL	2	1/2	0.56	5.19	0.63	1.90	0.62	2.00	1.67	3.00
KASB39U58	600-750 KCMIL	2	5/8	0.69	5.29	0.66	1.90	0.62	2.00	1.67	3.00
KASB44U2N	1000 KCMIL	1	1/2	0.56	6.95	0.63	2.01	0.80	2.11	1.75	3.00
KASB44U12	1000 KCMIL	2	1/2	0.56	5.19	0.63	2.01	0.80	2.11	1.75	3.00
KASB44U38	1000 KCMIL	2	3/8	0.41	4.97	0.41	2.01	0.80	2.11	1.75	3.00
KASB44U58	1000 KCMIL	2	5/8	0.69	5.29	0.66	2.01	0.80	2.11	1.75	3.00
KASB44U34	1000 KCMIL	2	3/4	0.81	5.44	0.75	2.01	0.80	2.11	1.75	3.00
KASB45U2N	1250 KCMIL	1	1/2	0.56	6.95	0.63	2.26	0.80	2.36	2.00	3.00
KASB45U12	1250 KCMIL	2	1/2	0.56	5.20	0.63	2.26	0.80	2.36	2.00	3.00

REV	DATE	DESCRIPTION	ECO	BY	CHK.
F	04/05/22	UPDATE FIGURES	220405018816	AS	

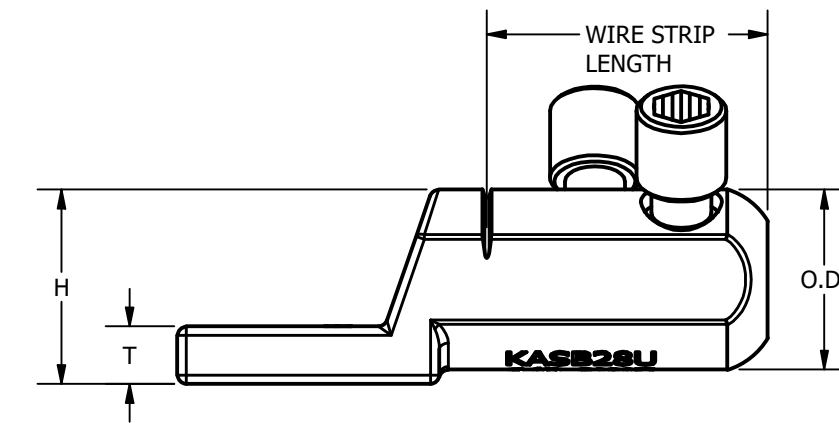
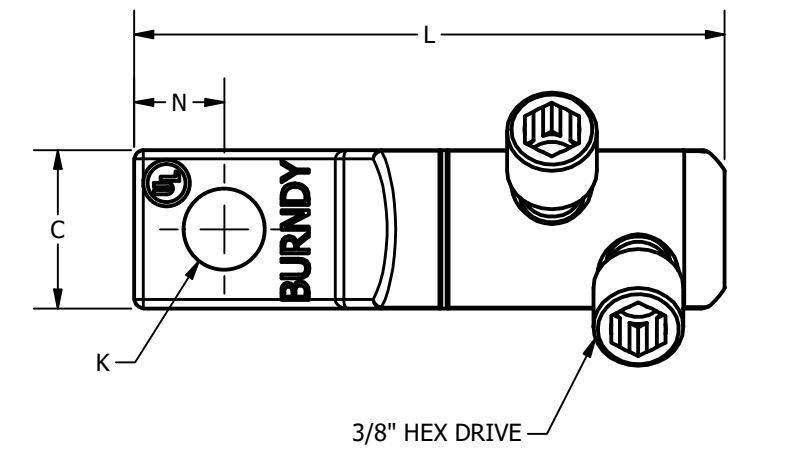


FIGURE 4

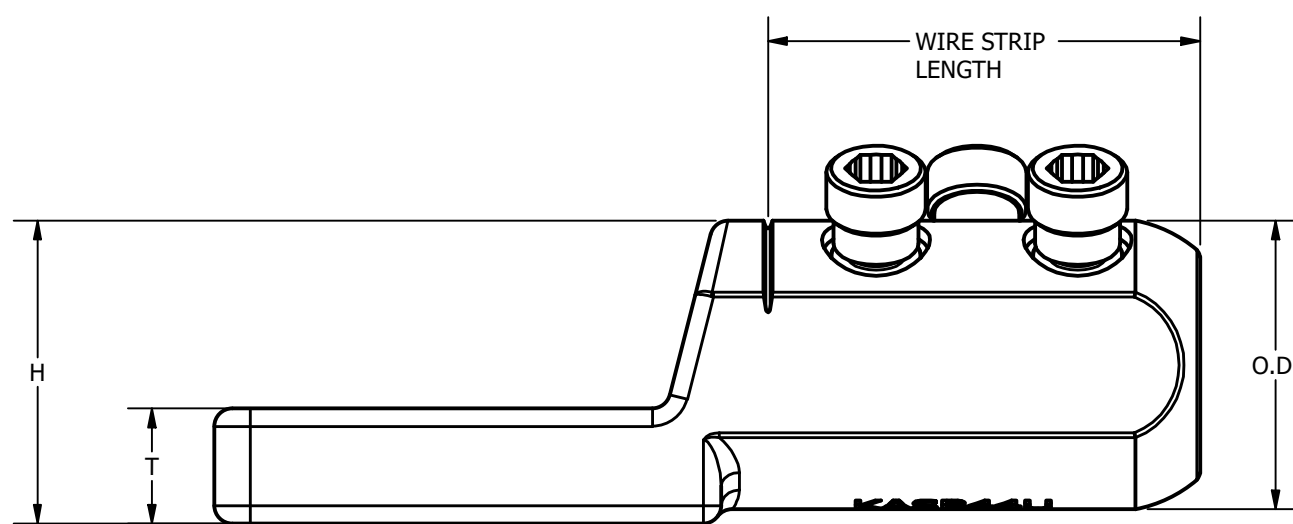
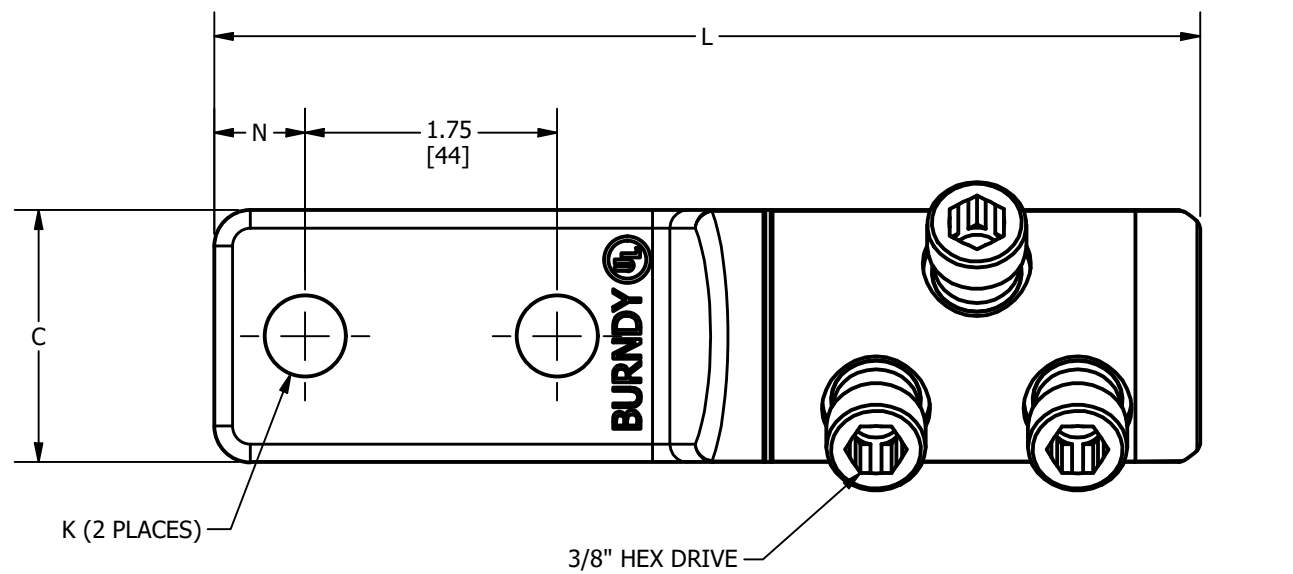


FIGURE 1

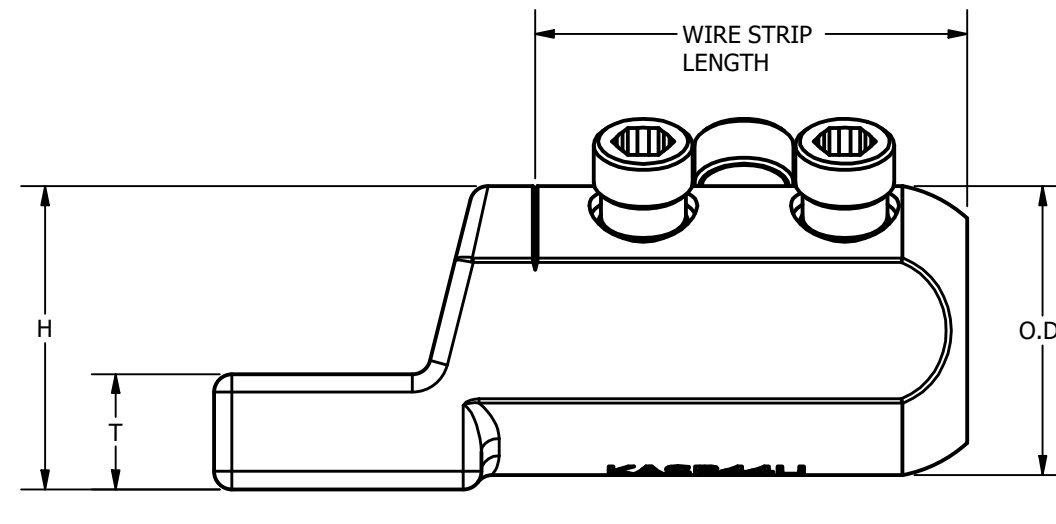
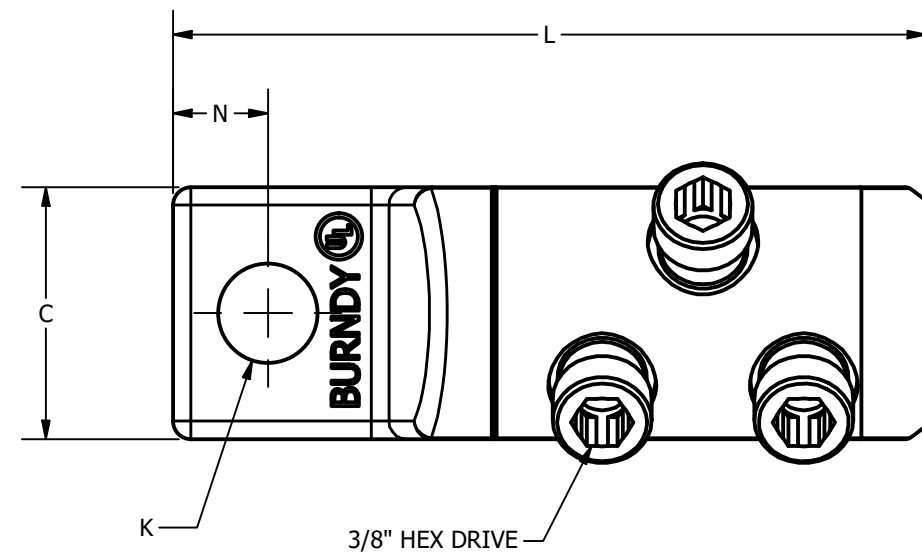


FIGURE 2

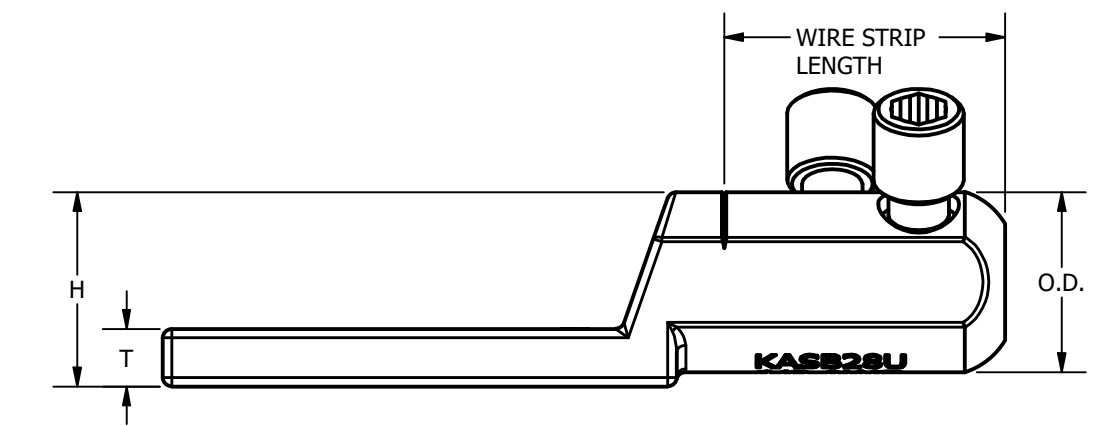
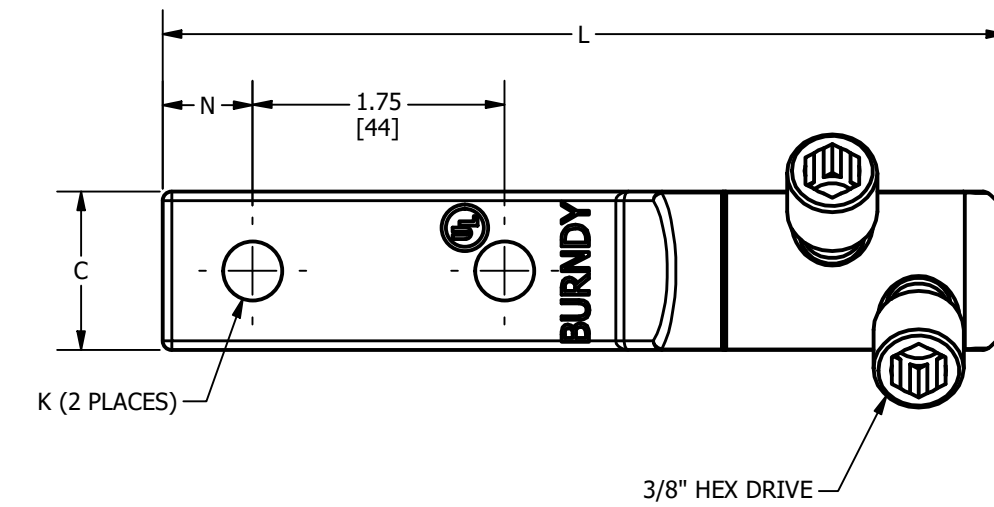


FIGURE 3

NOTES:

1. DIMENSIONS IN BRACKETS [] ARE IN MILLIMETERS ROUNDED OFF TO THE NEAREST MILLIMETER, UNLESS OTHERWISE SPECIFIED AND ARE FOR REFERENCE ONLY.

2. CONNECTOR IS DESIGNED FOR USE WITH ALUMINUM AND COPPER CONDUCTOR, CONCENTRIC AND COMPACT

3. MATERIAL: TIN PLATED ALUMINUM

4. cULus LISTED WIRE CONNECTOR TO UL486A-486B

TO ORDER BURNDY® PRODUCTS CALL
 UNITED STATES
 1-800-346-4175 (LONDONDERRY, NH)
 CANADA:
 1-800-361-6975 (QUEBEC)
 1-800-387-6487 (ALL OTHER PROVINCES)
 FOR PRODUCT INFO: <http://www.burndy.com>

ALUMINUM SHEARBOLT TERMINAL	
ITEM NO: SEE TABLE	
CAT. NO: SEE TABLE	
DRAWN BY: G. RUGGIERO	3/19/2020
CHECKER: --	
DSN APRVL: G. RUGGIERO	1/18/2021
MFG APRVL: --	
QA APRVL: J. BRODEUR	1/18/2021
MKT APRVL: M. BAILLY	1/18/2021
PROD FAM: --	
PROJECT #: NPD-03080	SIZE
DOCUMENT TYPE: SALES	C
REL LEVEL: Released	
DRAWING NO	REV
50109586	F
SHEET 1 OF 2	



CAT NO	CONDUCTOR	FIG NO	L	OD	W	WIRE STRIP LENGTH
KSSB28U	2/0-4/0 AWG	2	4.50	1.25	---	1.95
KSSB31U	250-350 KCMIL	2	5.00	1.50	---	1.95
KSSB34U	350-500 KCMIL	1	7.00	1.75	---	3.00
KSSB39U	600-750 KCMIL	1	7.00	1.90	---	3.00
KSSB44U	1000 KCMIL	3	7.00	2.01	1.75	3.00
KSSB45U	1250 KCMIL	1	7.25	2.26	---	3.00

REV	DATE	DESCRIPTION	ECO	BY	CHK.
F	04/05/22	UPDATE FIGURES	220405018816	AS	

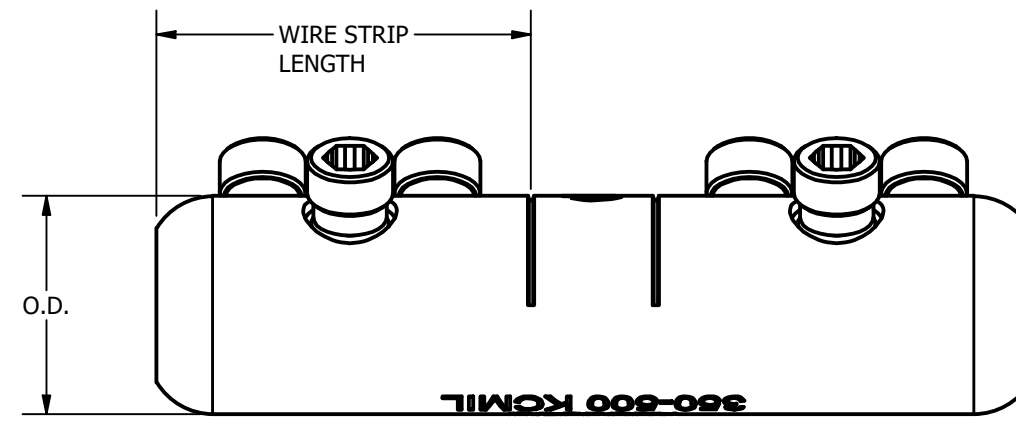
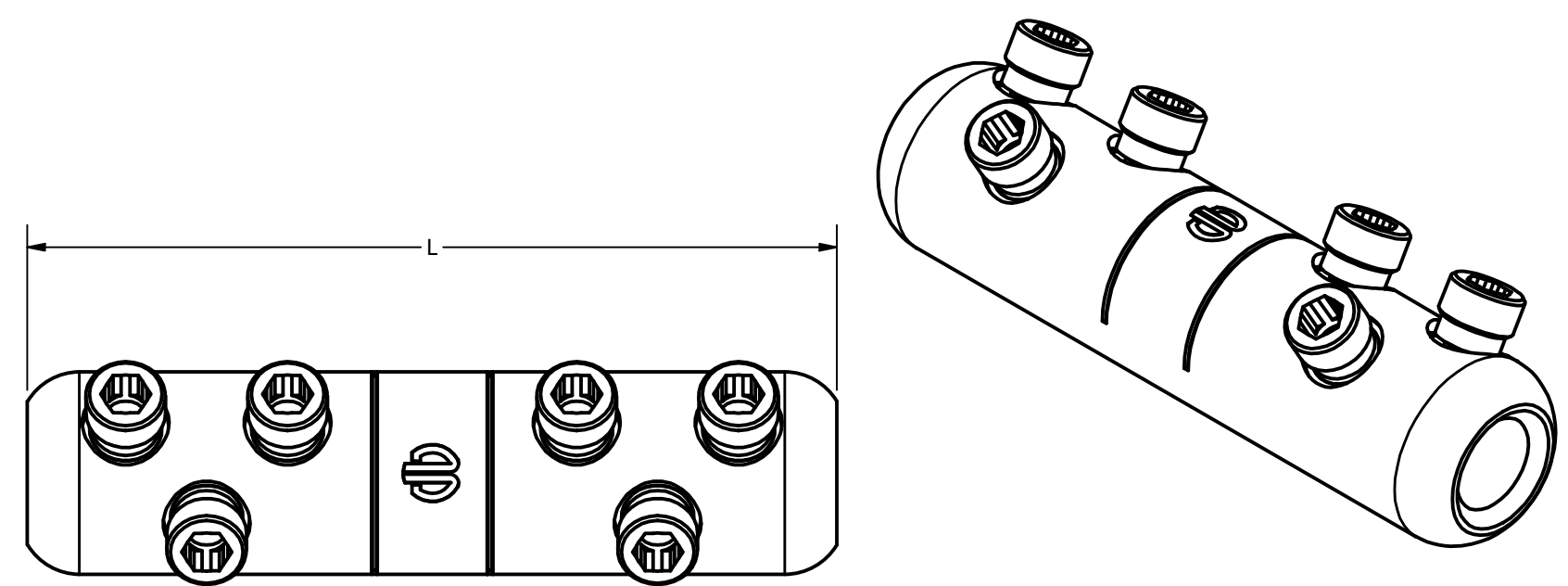


FIGURE 1

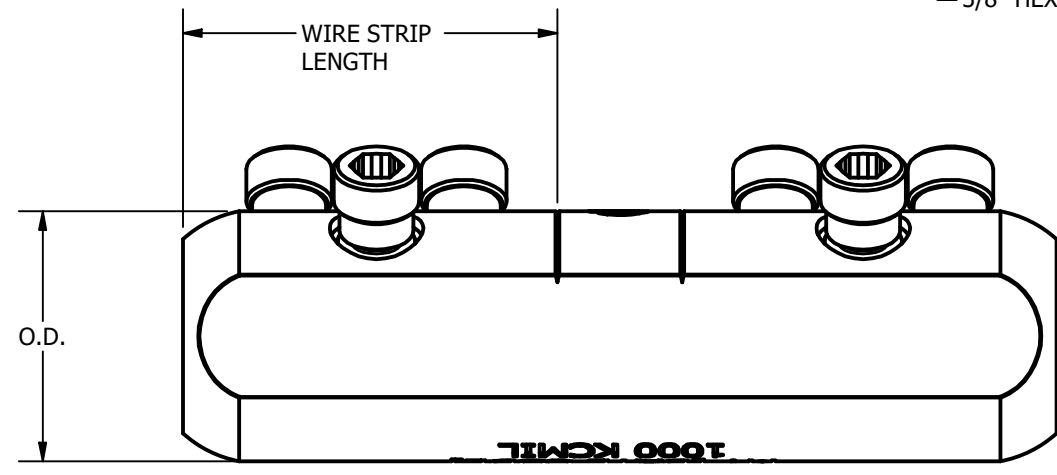
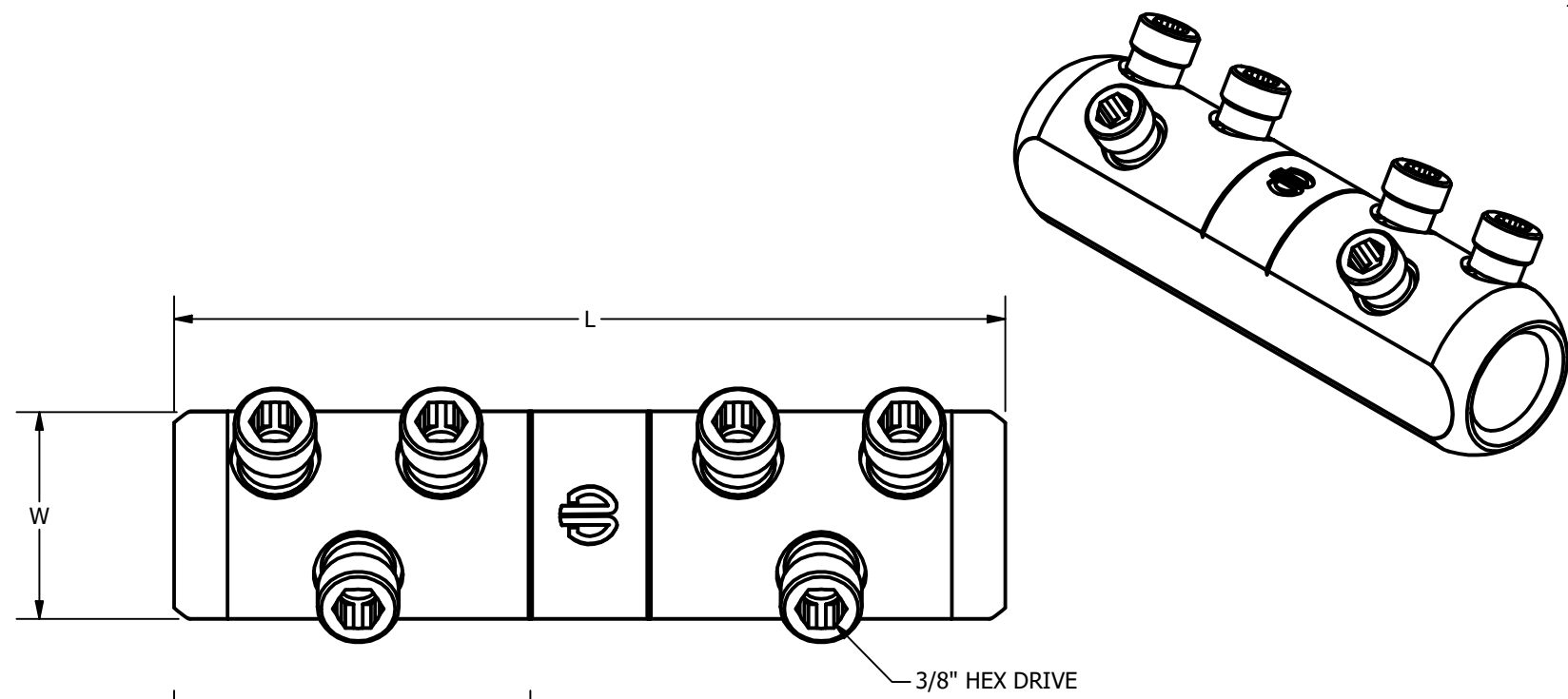


FIGURE 3

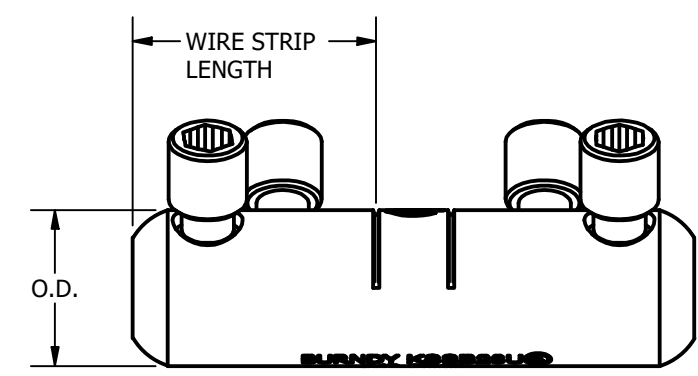
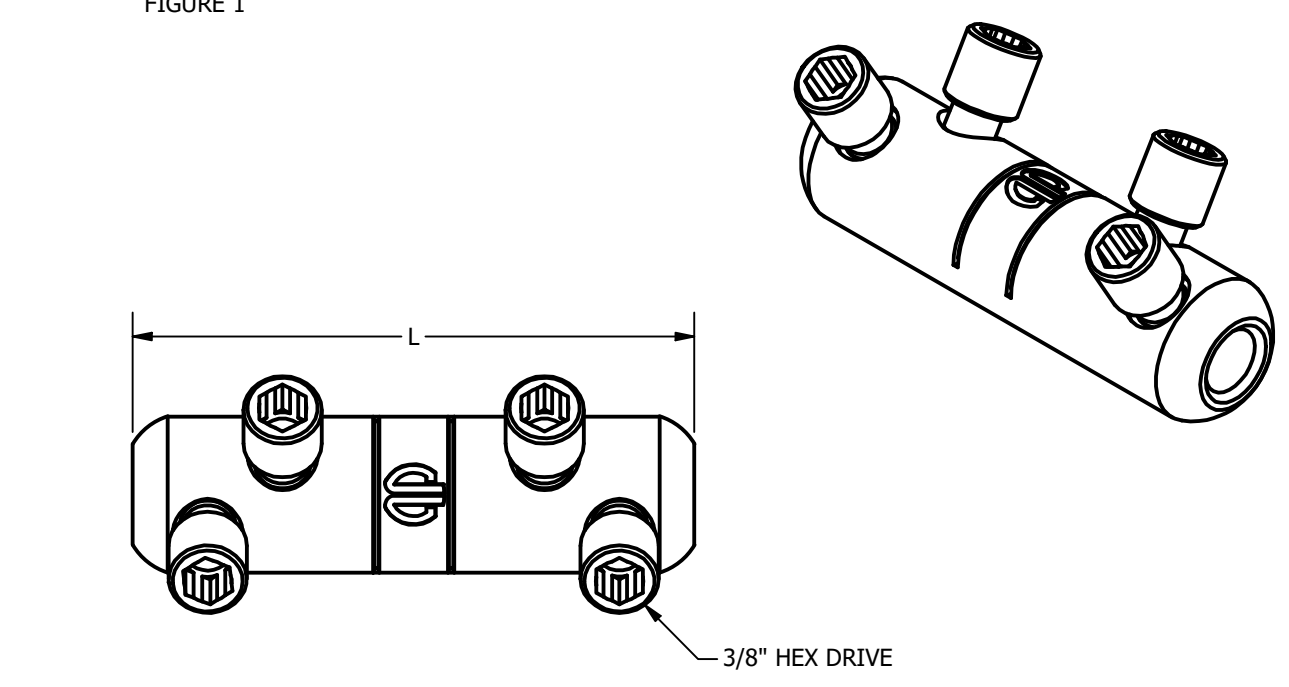


FIGURE 2

NOTES:

- DIMENSIONS IN BRACKETS [] ARE IN MILLIMETERS ROUNDED OFF TO THE NEAREST MILLIMETER, UNLESS OTHERWISE SPECIFIED AND ARE FOR REFERENCE ONLY.
- CONNECTOR IS DESIGNED FOR USE WITH ALUMINUM AND COPPER CONDUCTOR, CONCENTRIC AND COMPACT
- MATERIAL: TIN PLATED ALUMINUM
- cULus LISTED WIRE CONNECTOR TO UL486A-486B

TO ORDER BURNDY® PRODUCTS CALL		ALUMINUM SHEARBOLT TERMINAL	
UNITED STATES 1-800-346-4175 (LONDONDERRY, NH)		ITEM NO: SEE TABLE	
CANADA: 1-800-361-6975 (QUEBEC) 1-800-387-6487 (ALL OTHER PROVINCES)		CAT. NO: SEE TABLE	
FOR PRODUCT INFO: http://www.burndy.com		DRAWN BY: G. RUGGIERO	3/19/2020
		CHECKER: --	
		DSN APRVL: G. RUGGIERO	1/18/2021
		MFG APRVL: --	
		QA APRVL: J. BRODEUR	1/18/2021
		MKT APRVL: M. BAILLY	1/18/2021
		PROD FAM: --	
		PROJECT #: NPD-03080	SIZE
		DOCUMENT TYPE: SALES	C
		REL LEVEL: Released	
		DRAWING NO	REV
		50109586	F
		SHEET 2 OF 2	