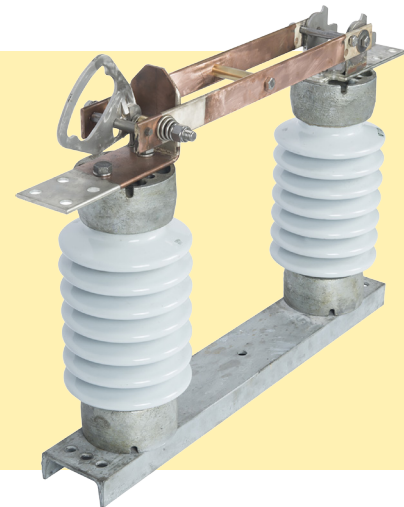


USCO HH8 HOOKSTICK SWITCH VARIATIONS

APPLICATION & TESTING

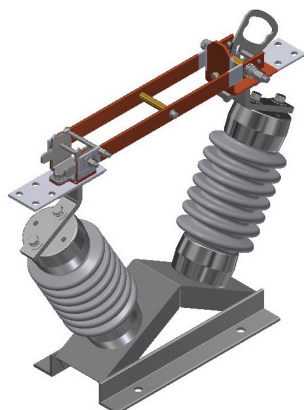
The HH8 is designed for substation applications such as isolating low voltage breakers and regulators. The HH8 hookstick switch is available at 8.3 kV - 72.5 kV, with both 600 A and 1200 A ratings.

The HH8 has been extensively tested to meet or exceed current ANSI standards. A comprehensive test brochure is available outlining electrical and mechanical design tests conducted on the HH8.



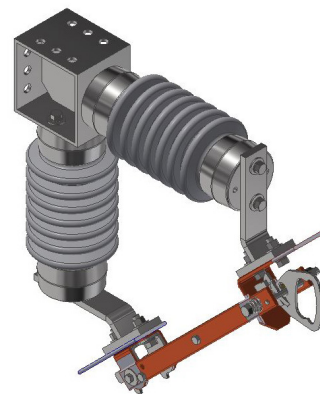
1. HH8V

The insulators are mounted in a V-configuration, offering many advantages where space is limited or installation on low profile structures is required.



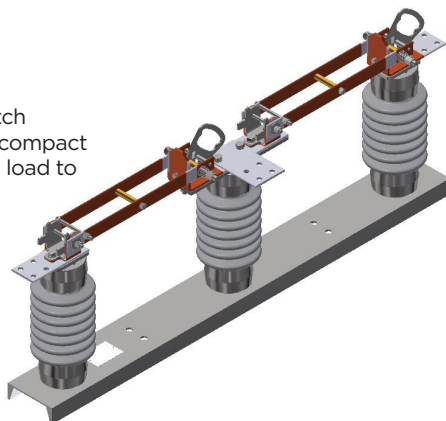
2. HH45-8

Another popular low profile design, offering many advantages where space is limited.



3. HH8T

A tandem transfer switch designed to provide a compact method of transferring load to alternate circuits.



4. HHR8

Featuring two main disconnect switches and one bypass disconnect, this non-sequenced, heavy duty three blade switch is used to bypass substation regulators.

