

**BRYANT®**



## Wall dimmers and lighting controls

Customize your comfort in home and commercial applications



A proud member of the Hubbell family.

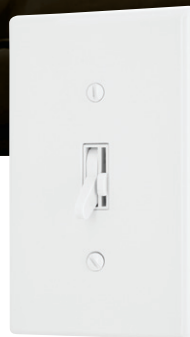
# Customize the feel and comfort of your home lighting with Bryant dimmers



**LCD150DW**  
200W  
Rocker Dimmer



**LCD150SW**  
200W  
Slide Dimmer



**LCD150TW**  
150W  
Toggle Dimmer



**LCD300DW**  
300W  
Rocker Dimmer



**LCD0108DW**  
0-10V Low Voltage  
Rocker Dimmer



**LCD0108SW**  
0-10V Low Voltage  
Slide Dimmer

## Key Benefits

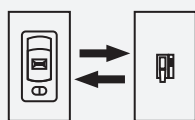
Enjoy Bryant quality and reliability, along with universal compatibility.

- Compatible with most forward phase dimming lamps
- Suitable for single-pole or 3-way/4-way applications
- Tunable with trim adjustment on all models
- Available rocker and slide, or toggle and slide styles
- Matches all Bryant decorator, toggle, and screwless wallplates
- UL/cUL Listed

## Key Functions



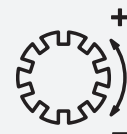
Energy  
Efficient



Multiway  
Dimmers



cUL Listed



Trim  
Adjustment





## Light up your application

Control the ambiance in your home and reduce your energy footprint. Our dimmer switches match perfectly with efficient LED light bulbs. These designs also support CFL, and even traditional incandescent bulbs. Digital trimming maximizes the brightness range and adjusts to reduce flicker. And style options meet your needs.

Low voltage models power lights that use 0-10V dimming control, whether or not they use LED ballasts.

Designed for energy-efficient LED, Bryant dimmers suitable for bulbs and fixtures that meet NEMA SSL 7A and California Title 24 standards.



### Color Options

Ivory

Light Almond

White

# Wall dimmers and lighting controls

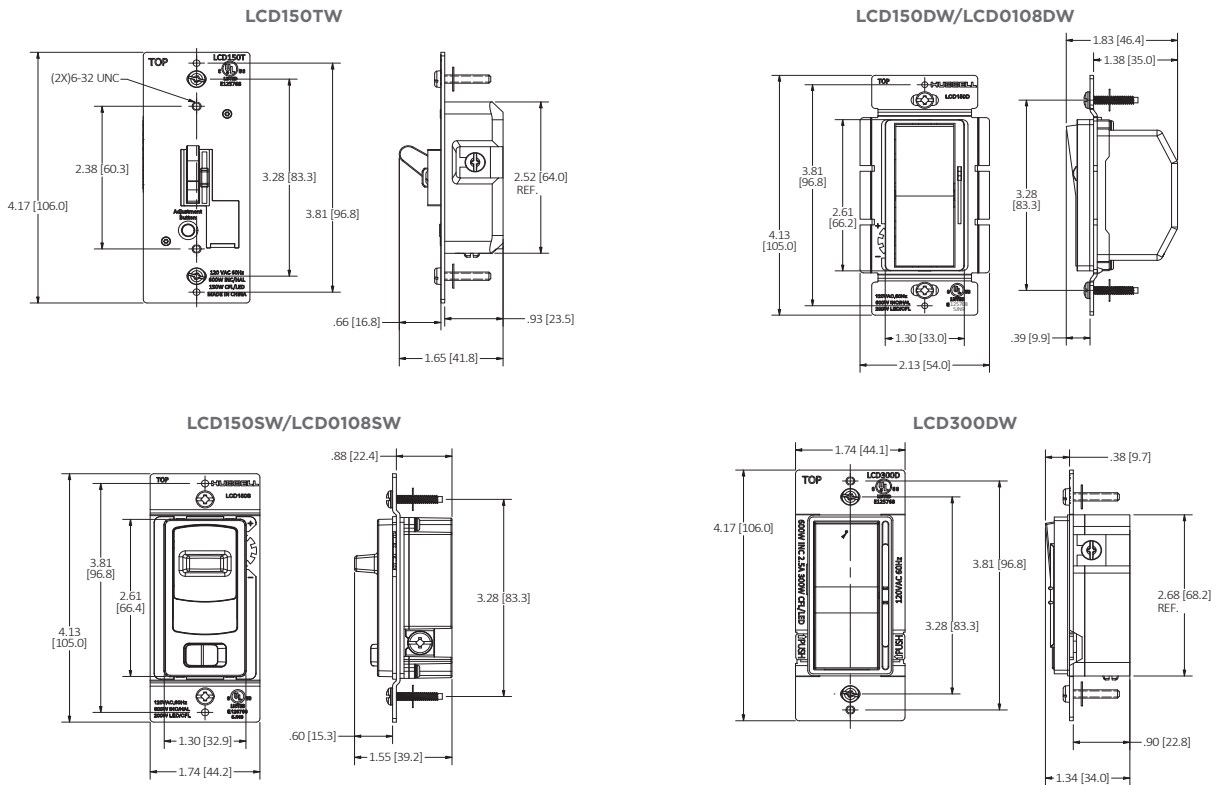
For home and commercial lighting applications



## Ordering information

Description	Color	Catalog Number	Poles
<b>Toggle</b> 150W LED/CFL, 600W Incandescent, 120 VAC	White	<b>LCD150TW</b>	SP, 3/4 Way
<b>Toggle</b> 150W LED/CFL, 600W Incandescent, 120 VAC	Ivory	<b>LCD150TI</b>	SP, 3/4 Way
<b>Toggle</b> 150W LED/CFL, 600W Incandescent, 120 VAC	Light Almond	<b>LCD150TLA</b>	SP, 3/4 Way
<b>Decorator Rocker</b> 200W LED/CFL, 600W Incandescent, 120 VAC	White	<b>LCD150DW</b>	SP, 3/4 Way
<b>Decorator Rocker</b> 200W LED/CFL, 600W Incandescent, 120 VAC	Ivory	<b>LCD150DI</b>	SP, 3/4 Way
<b>Decorator Rocker</b> 200W LED/CFL, 600W Incandescent, 120 VAC	Light Almond	<b>LCD150DLA</b>	SP, 3/4 Way
<b>Decorator Slide</b> 200W LED/CFL, 600W Incandescent, 120 VAC	White	<b>LCD150SW</b>	SP, 3/4 Way
<b>Decorator Slide</b> 200W LED/CFL, 600W Incandescent, 120 VAC	Ivory	<b>LCD150SI</b>	SP, 3/4 Way
<b>Decorator Slide</b> 200W LED/CFL, 600W Incandescent, 120 VAC	Light Almond	<b>LCD150SLA</b>	SP, 3/4 Way
<b>Decorator Rocker</b> 300W LED/CFL, 600W Incand., Indicator light, 120 VAC	White	<b>LCD300DW</b>	SP, 3/4 Way
<b>Decorator Rocker</b> 300W LED/CFL, 600W Incand., Indicator light, 120 VAC	Ivory	<b>LCD300DI</b>	SP, 3/4 Way
<b>Decorator Rocker</b> 300W LED/CFL, 600W Incand., Indicator light, 120 VAC	Light Almond	<b>LCD300DLA</b>	SP, 3/4 Way
<b>Low Voltage Decorator Rocker</b> 0-10V LED, 10 A 120 VAC, 5 A 277 VAC	White	<b>LCD0108DW</b>	SP, 3/4 Way
<b>Low Voltage Decorator Rocker</b> 0-10V LED, 10 A 120 VAC, 5 A 277 VAC	Ivory	<b>LCD0108DI</b>	SP, 3/4 Way
<b>Low Voltage Decorator Rocker</b> 0-10V LED, 10 A 120 VAC, 5 A 277 VAC	Light Almond	<b>LCD0108DLA</b>	SP, 3/4 Way
<b>Low Voltage Decorator Slide</b> 0-10V LED, 10 A 120 VAC, 5 A 277 VAC	White	<b>LCD0108SW</b>	SP, 3/4 Way
<b>Low Voltage Decorator Slide</b> 0-10V LED, 10 A 120 VAC, 5 A 277 VAC	Ivory	<b>LCD0108SI</b>	SP, 3/4 Way
<b>Low Voltage Decorator Slide</b> 0-10V LED, 10 A 120 VAC, 5 A 277 VAC	Light Almond	<b>LCD0108SLA</b>	SP, 3/4 Way

\*Wallplates sold separately



## Contact Us

Count on Bryant for safe, reliable, and innovative wiring devices. Contact us today.