

QUADRI*SIL® Insulators

for 69 kV Applications & Above
Silicone Rubber Direct Bond



Catalog Number Key

The Quadri*Sil® Insulators Numbering Scheme is organized according to a smart numbering system. Each group of digits defines a characteristic of the product you are ordering. To fill out this form, start on "a: Insulator Type." Then, fill in your selection in the box corresponding to the letter "a." Apply the same rule for all the other sections.

a INSULATOR TYPE P - POST | S - SUSPENSION

a) **Insulator type.** Defines your insulator type: Post or Suspension. Select "P" or "S" for Post or Suspension, respectively, and fill in your selection in the box designated for "a." In this example, we selected a suspension insulator.

S											
a	b	b	b	c	c	c	d	e	f	f	g

b MECHANICAL STRENGTH

Suspension (SML), Rod Diameter

- 025 = 25kip (111kN), 5/8" (16mm)
- 030 = 30kip (133kN), 5/8" (16mm)
- 050 = 50kip (222kN), 7/8" (22mm)
- 080 = 80kip (355kN), 1 1/4" (32mm)
- 120 = 120kN, 5/8" (16mm)
- 133 = 133kN, 7/8" (22mm)
- 160 = 160kN, 7/8" (22mm)
- 210 = 210kN, 7/8" (22mm)

Post, Rod Diameter

- 250 = Series 250, 2.5" (63.5 mm)
- 300 = Series 300, 3.0" (76.2 mm)
- 350 = Series 350, 3.5" (88.9 mm)

b) **Strength.** Defines the mechanical strength of your insulator. Fill in your selection in the boxes designated for "b."

Note: kip = Kilopound, kN = Kilonewton

For example, if you want a Suspension insulator with 25 kip, this is what your form would look like so far:

S	0	2	5								
a	b	b	b	c	c	c	d	e	f	f	g

c POLYMER LENGTH

3 digits for distance between metal parts, in inches

c) **Polymer length.** Defines the polymer length of the insulator (please use catalog tables for possible polymer lengths). Fill in your selection in the boxes designated for section "c." For example, if you want a 49-inch polymer length, enter:

S	0	2	5	0	4	9					
a	b	b	b	c	c	c	d	e	f	f	g

d WEATHERSHED PROFILE

Suspension

- S = Standard Leakage Distance (2.5)
- H = High Leakage Distance (2.9 or 3.3)
- E = Extra High Leakage Distance (4.2)

Post

- S = Standard Leakage Distance
- E = Extra High Leakage Distance

d) **Weathershed Profile.** Defines the leakage distance design. For a suspension insulator with standard leakage distance, use "S." For a suspension insulator with high leakage distance, use "H." For a line post, only the standard leakage distance design is available. Fill in your selection in the box designated for "d." For example, if you want an insulator with high leakage distance, you would place an "H" in the box designated "d."

S	0	2	5	0	4	9	H				
a	b	b	b	c	c	c	d	e	f	f	g

e TOP FITTING

Suspension Insulators

- 0 = Chain Eye
- 1 = ANSI Ball
- 2 = Y-Clevis
- 3 = ANSI Socket
- 4 = ANSI Straight Clevis
- 7 = IEC Ball Fitting
 - 16 mm for 120 kN
 - 20 mm for 160 kN and 210 kN
- 8 = IEC Straight Clevis
 - 16 mm for 120 kN
 - 20 mm for 160 kN and 210 kN
- A = IEC Socket

Line Post Insulators

- 0 = Tear Drop Blade
- 1 = Horizontal Clamptop
- 2 = Vertical Clamptop
- 3 = 5" (127 mm) Bolt Circle
- 5 = 5" (127 mm) Bolt Circle
 - 5/8" (16 mm) Tapped Hole
 - 5/8" (16 mm) Through Hole
- 9 = Long Tear Drop Blade

e) **Top Fitting.** Defines the top end fitting of your insulator. Fill in your selection in the box designated for "e." For example, if you want a suspension insulator with a Y-clevis top end fitting, you would place a "2" in the box designated for "e."

S	0	2	5	0	4	9	H	2			
a	b	b	b	c	c	c	d	e	f	f	g

f BOTTOM FITTING

Suspension Insulators

- 00 = Chain Eye
- 01 = ANSI Ball
- 02 = Y-Clevis
- 03 = ANSI Socket
- 04 = ANSI Straight Clevis
- 07 = IEC Ball Fitting
 - 16 mm for 120 kN
 - 20 mm for 160 kN and 210 kN
- 08 = IEC Straight Clevis
- 0A = IEC Socket
 - 16 mm for 120 kN
 - 20 mm for 160 kN and 210 kN

Line Post Insulators (250 Series Only)*

- 02 = Aluminum Gain 12" (305 mm) CL¹ mounting
- 03 = Aluminum Flat 8"x 10" (203 mm x 254 mm), 15/16" (24 mm) hole diameter
- 04 = Aluminum Flat 8"x 13" (203 mm x 330 mm), 15/16" (24 mm) hole diameter
- 05 = 5" (127 mm) Bolt Circle, 5/8" (16 mm) tapped hole
- 07 = Steel Gain 12" (305 mm) CL mounting, 15/16" (24 mm) hole diameter
- 08 = Steel Flat 8"x 13" (203 mm x 330 mm) MS², 15/16" (24 mm) hole diameter
- 15 = 5" (127 mm) Bolt Circle, 5/8" (16 mm) through hole

**For 300 & 350 Series refer to appropriate catalog section.*

¹ Center Line
² Horizontal x Vertical Mounting Pattern Spacing

f) Bottom Fitting. Defines the bottom end fitting of your insulator. Fill in your selection in the boxes designated for "f." For example, if you want an ANSI ball bottom end fitting, you would place "01" in the boxes designated for "f."

S	0	2	5	0	4	9	H	2	0	1	
a	b	b	b	c	c	c	d	e	f	f	g

g RINGS

- 0 = No Ring Required
- A = ≥220 kV, 8" (203 mm) ring for suspension, 12" (305 mm) ring for series 250 post, 15" (381 mm) ring for series 300 & 350 post.
- B = ≥330 kV, 12" (305 mm) ring for suspension, 15" (381 mm) ring for series 250 post
- C = ≥400 kV, 12" (305 mm) line end and 8" (203 mm) ground end ring for suspension
- D = ≥500 kV, 15" (381 mm) line end and 8" (203 mm) ground end ring for suspension
- E = ≥735 kV, 15" (381 mm) line end and 12" (305 mm) ground end ring for suspension

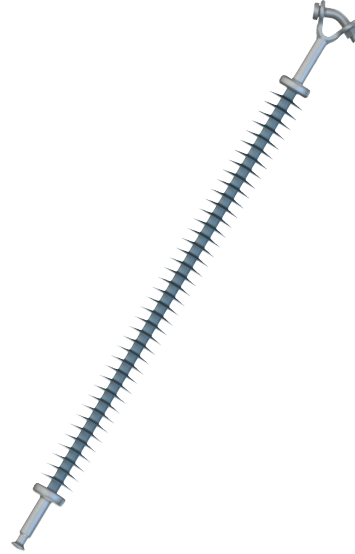
g) Rings. Defines your need for a Corona Ring. Fill in your selection in the box designated for "g." The example below shows a selection of a corona ring for 220 kV, 8" (203 mm) for a suspension insulator. Thus, "A" was placed in the box designated for "g."

S	0	2	5	0	4	9	H	2	0	1	A
a	b	b	b	c	c	c	d	e	f	f	g

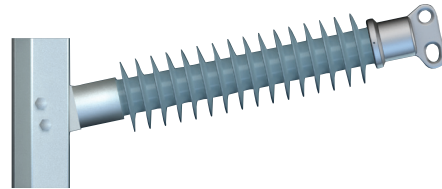
Your complete part number will be S025049H201A

example

Suspension Insulator, 25 kip, 49" of Polymer Length, Standard Leakage Distance Profile (2.5), Top Fitting: Y-Clevis, Bottom Fitting: ANSI Ball, No Corona Ring
S025049S2010



Line Post Insulator, 2.5" (63.5 mm) Rod Diameter, 21.9" Polymer Length, Standard Leakage Distance, Top Fitting: Tear Drop Blade, Bottom Fitting: 2-Piece Aluminum Gain Base, No Corona Ring
P250021S0020



QUADRI*SIL®

Your final catalog number should look like this

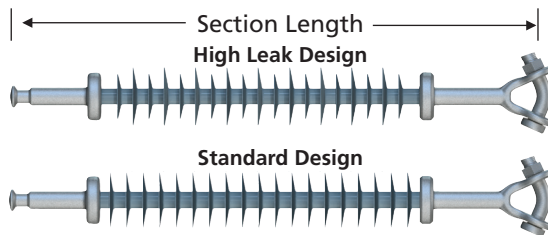
Fill out boxes according to instructions

a	b	b	b	c	c	c	d	e	f	f	g



Suspension Insulators

Mechanical Ratings SML = 25 kip/120 kN RTL = 12.5 kip/60 kN
Rod Diameter: 5/8" (16 mm)



Selection Guide: Typical Line Voltage, kV							Catalog Numbers ANSI / IEC	Nominal Polymer Length inches	Section Length inches (mm)	Strike Distance inches (mm)	Leakage Distance inches (mm)	ANSI Values				IEC Values		
69	110	132	161	220	330	400						60-Hz Dry Flashover (kV)	60-Hz Wet Flashover (kV)	Critical Impulse Positive (kV)	Critical Impulse Negative (kV)	60-Hz 1-minute Wet Withstand (kV)	Impulse Positive Withstand (kV)	Impulse Negative Withstand (kV)
							S025021S2010 / S120021S2010	021	33.3 (846)	21.5 (546)	55 (1397)	220	210	370	350	145	315	300
							S025021H2010 / S120021H2010	021	33.3 (846)	22 (559)	64 (1626)	220	210	370	350	150	325	305
							S025023S2010 / S120023S2010	023	35.4 (899)	23.7 (602)	60 (1524)	250	235	415	395	165	350	330
							S025023H2010 / S120023H2010	023	35.4 (899)	24.1 (612)	71 (1803)	250	235	415	395	165	355	335
							S025030S2010 / S120030S2010	030	41.9 (1064)	30.2 (767)	77 (1956)	315	305	525	510	210	445	430
							S025030H2010 / S120030H2010	030	41.9 (1064)	30.6 (777)	90 (2286)	320	305	535	515	210	450	435
							S025036S2010 / S120036S2010	036	48.4 (1229)	36.6 (930)	93 (2362)	385	365	635	620	255	540	525
							S025036H2010 / S120036H2010	036	48.4 (1229)	37.1 (942)	110 (2794)	390	370	645	620	260	540	535
							S025043S2010 / S120043S2010	043	54.9 (1394)	43.1 (1095)	110 (2794)	460	435	730	725	300	630	625
							S025043H2010 / S120043H2010	043	54.9 (1394)	43.6 (1107)	129 (3277)	465	440	740	730	305	635	630
							S025047S2010 / S120047S2010	047	59.2 (1504)	47.4 (1204)	121 (3073)	500	475	800	795	330	690	685
							S025047H2010 / S120047H2010	047	59.2 (1504)	47.9 (1217)	142 (3607)	510	475	805	800	330	695	690
							S025051S2010 / S120051S2010	051	63.5 (1613)	51.8 (1316)	132 (3353)	540	510	865	865	360	750	750
							S025051H2010 / S120051H2010	051	63.5 (1613)	52.2 (1326)	155 (3937)	540	510	875	870	360	760	755
							S025056S2010 / S120056S2010	056	67.8 (1722)	56.1 (1425)	143 (3632)	585	545	935	935	385	810	810
							S025056H2010 / S120056H2010	056	67.8 (1722)	56.5 (1435)	168 (4267)	585	550	940	940	390	815	815
							S025060S2010 / S120060S2010	060	72.1 (1831)	60.4 (1534)	154 (3912)	625	580	1000	1005	410	870	875
							S025060H2010 / S120060H2010	060	72.1 (1831)	60.9 (1547)	181 (4597)	625	585	1010	1010	415	880	880
							S025064S2010 / S120064S2010	064	76.5 (1943)	64.7 (1643)	165 (4191)	660	615	1065	1075	435	930	940
							S025064H2010 / S120064H2010	064	76.5 (1943)	65.2 (1656)	194 (4928)	665	615	1070	1075	440	940	945
							S025069S2010 / S120069S2010	069	80.8 (2052)	69 (1753)	176 (4470)	695	650	1130	1140	465	990	995
							S025069H2010 / S120069H2010	069	80.8 (2052)	69.5 (1765)	207 (5258)	700	650	1135	1145	465	995	1005
							S025073S2010 / S120073S2010	073	85.1 (2162)	73.4 (1864)	187 (4750)	735	685	1200	1210	490	1050	1060
							S025073H2010 / S120073H2010	073	85.1 (2162)	73.8 (1875)	220 (5588)	740	690	1205	1215	495	1055	1065
							S025077S2010 / S120077S2010	077	89.4 (2271)	77.7 (1974)	198 (5029)	780	720	1260	1275	515	1105	1120
							S025077H2010 / S120077H2010	077	89.4 (2271)	78.1 (1984)	233 (5918)	780	720	1270	1280	515	1115	1125
							S025081S2010 / S120081S2010	081	93.7 (2380)	82 (2083)	209 (5309)	815	745	1325	1345	540	1165	1180
							S025081H2010 / S120081H2010	081	93.7 (2380)	82.5 (2096)	246 (6248)	820	750	1330	1345	540	1170	1185
							S025086S2010 / S120086S2010	086	98.1 (2492)	86.3 (2192)	220 (5588)	860	780	1400	1420	560	1220	1240
							S025086H2010 / S120086H2010	086	98.1 (2492)	86.8 (2205)	259 (6579)	860	795	1410	1420	565	1225	1245
							S025090S2010 / S120090S2010	090	102.4 (2601)	90.6 (2301)	231 (5867)	890	815	1460	1485	585	1275	1300
							S025090H2010 / S120090H2010	090	102.4 (2601)	91.1 (2314)	272 (6909)	895	820	1470	1495	585	1285	1305
							S025094S2010 / S120094S2010	094	106.7 (2710)	95 (2413)	242 (6147)	925	850	1520	1545	610	1335	1355
							S025094H2010 / S120094H2010	094	106.7 (2710)	95.4 (2423)	285 (7239)	930	855	1540	1560	615	1340	1365
							S025099S2010 / S120099S2010	099	111 (2819)	99.3 (2522)	253 (6426)	960	875	1575	1600	630	1395	1415
							S025099H2010 / S120099H2010	099	111 (2819)	99.7 (2532)	298 (7569)	965	880	1585	1610	635	1395	1425
							S025103S2010 / S120103S2010	103	115.3 (2929)	103.6 (2631)	264 (6706)	990	890	1640	1670	655	1445	1475
							S025103H2010 / S120103H2010	103	115.3 (2929)	104.1 (2644)	310 (7874)	995	895	1645	1670	660	1450	1485
							S025107S2010 / S120107S2010	107	119.7 (3040)	107.9 (2741)	275 (6985)	1010	920	1690	1725	675	1500	1530
							S025107H2010 / S120107H2010	107	119.7 (3040)	108.4 (2753)	323 (8204)	1015	920	1695	1730	675	1510	1535
							S025112S2010 / S120112S2010	112	124 (3150)	112.2 (2850)	286 (7264)	1040	945	1750	1790	695	1555	1590
							S025112H2010 / S120112H2010	112	124 (3150)	112.7 (2863)	336 (8534)	1045	950	1755	1795	700	1565	1595
							S025116S2010 / S120116S2010	116	128.3 (3259)	116.6 (2962)	297 (7544)	1070	975	1815	1850	720	1615	1645
							S025116H2010 / S120116H2010	116	128.3 (3259)	117 (2972)	349 (8865)	1075	980	1820	1855	720	1620	1655
							S025120S2010 / S120120S2010	120	132.6 (3368)	120.9 (3071)	308 (7823)	1100	1000	1875	1915	735	1665	1705
							S025120H2010 / S120120H2010	120	132.6 (3368)	121.3 (3081)	362 (9195)	1105	1005	1880	1920	740	1670	1710
							S025125S2010 / S120125S2010	125	136.9 (3477)	125.2 (3180)	319 (8103)	1125	1030	1935	1975	760	1720	1755
							S025125H2010 / S120125H2010	125	136.9 (3477)	125.7 (3193)	375 (9525)	1130	1035	1940	1980	760	1725	1765
							S025129S2010 / S120129S2010	129	141.3 (3589)	129.5 (3289)	330 (8382)	1155	1055	1990	2040	780	1770	1815
							S025129H2010 / S120129H2010	129	141.3 (3589)	130 (3302)	388 (9855)	1160	1060	1995	2045	780	1780	1820
							S025133S2010 / S120133S2010	133	145.6 (3698)	133.8 (3399)	341 (8661)	1180	1080	2050	2100	795	1825	1870
							S025133H2010 / S120133H2010	133	145.6 (3698)	134.3 (3411)	401 (10185)	1185	1085	2055	2105	800	1830	1875
							S025138S2010 / S120138S2010	138	149.9 (3807)	138.2 (3510)	352 (8941)	1205	1105	2110	2160	815	1880	1925
							S025138H2010 / S120138H2010	138	149.9 (3807)	138.6 (3520)	414 (10516)	1210	1110	2115	2165	820	1885	1930
							S025142S2010 / S120142S2010	142	154.2 (3917)	142.5 (3620)	363 (9220)	1230	1130	2165	2220	835	1930	1980
							S025142H2010 / S120142H2010	142	154.2 (3917)	142.9 (3630)	427 (10846)	1235	1135	2170	2225	835	1935	1980

Notes:
Dimensional and electrical values displayed in main table are for an insulator with Y-clevis and Ball end fittings.

For voltages above 400 kV, other section lengths, or end fitting combinations, please contact your HPS representative.

Electrical values are without corona ring. For voltages equal to or greater than 220 kV, refer to the dedicated page within this section for corona rings and associated physical/electrical changes to the above data.

Section Length Adjustment Table, Base End Fittings: Y-clevis-Ball (201)

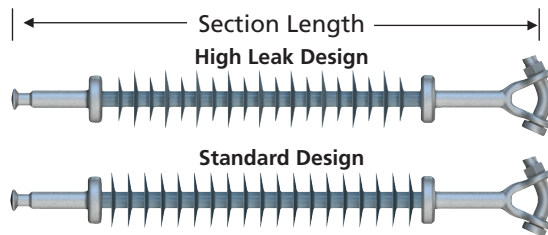
Top Fitting	Bottom Fitting	Top and Bottom End Fitting Digits ("e" & "f") in Catalog Number	Length Change inches (mm)
Y-Clevis	Eye	200	1.62 (41)
Eye	ANSI 52-5 Ball	001	0.02 (0)
Eye	Eye	000	1.64 (42)
ANSI 52-5 Socket	ANSI 52-5 Ball	301	-1.15 (-29)
IEC 16 mm Socket	IEC 16 mm Ball	A07	-0.03 (-1)
ANSI 52-6 Clevis	Eye	400	0.82 (21)

To determine the section length for an insulator with a different end fitting combination, please add or subtract the displayed length change in the table above. For configurations not shown, use the Catalog Number Key or contact your HPS representative.



Suspension Insulators

Mechanical Ratings SML = 30 kip RTL = 15 kip
Rod Diameter: 5/8" (16 mm)



Selection Guide: Typical Line Voltage, kV							ANSI Values				IEC Values		
69	110	132	161	220	330	400	60-Hz Dry Flashover (kV)	60-Hz Wet Flashover (kV)	Critical Impulse Positive (kV)	Critical Impulse Negative (kV)	60-Hz 1-minute Wet Withstand (kV)	Impulse Positive Withstand (kV)	Impulse Negative Withstand (kV)
							220	210	370	350	145	315	300
							220	210	370	350	150	325	305
							250	235	415	395	165	350	330
							250	235	415	395	165	355	335
							315	305	525	510	210	445	430
							320	305	535	515	210	450	435
							385	365	635	620	255	540	525
							390	370	645	620	260	540	535
							460	435	730	725	300	630	625
							465	440	740	730	305	635	630
							500	475	800	795	330	690	685
							510	475	805	800	330	695	690
							540	510	865	865	360	750	750
							540	510	875	870	360	760	755
							585	545	925	935	385	810	810
							585	550	940	940	390	815	815
							625	580	1000	1005	410	870	875
							625	585	1010	1010	415	880	880
							660	615	1065	1075	435	930	940
							665	615	1070	1075	440	940	945
							695	650	1130	1140	465	990	995
							700	650	1135	1145	465	995	1005
							735	685	1200	1210	490	1050	1060
							740	690	1205	1215	495	1055	1065
							780	720	1275	1275	515	1105	1120
							780	720	1270	1280	515	1115	1125
							815	745	1325	1345	540	1165	1180
							820	750	1330	1345	540	1170	1185
							860	780	1400	1420	560	1220	1240
							860	795	1410	1420	565	1225	1245
							890	815	1460	1485	585	1275	1300
							895	820	1470	1495	585	1285	1305
							925	850	1520	1545	610	1335	1355
							930	855	1540	1560	615	1340	1365
							960	875	1575	1600	630	1395	1415
							965	880	1585	1610	635	1395	1425
							990	890	1640	1670	655	1445	1475
							995	895	1645	1670	660	1450	1485
							1010	920	1690	1725	675	1500	1530
							1015	920	1695	1730	675	1510	1535
							1040	945	1750	1790	695	1555	1590
							1045	950	1755	1795	700	1565	1595
							1070	975	1815	1850	720	1615	1645
							1075	980	1820	1855	720	1620	1655
							1100	1000	1875	1915	735	1665	1705
							1105	1005	1880	1920	740	1670	1710
							1125	1030	1935	1975	760	1720	1755
							1130	1035	1940	1980	760	1725	1765
							1155	1055	1990	2040	780	1770	1815
							1160	1060	1995	2045	780	1780	1820
							1180	1080	2050	2100	795	1825	1870
							1185	1085	2055	2105	800	1830	1875
							1205	1105	2110	2160	815	1880	1925
							1210	1110	2115	2165	820	1885	1930
							1230	1130	2165	2220	835	1930	1980
							1235	1135	2170	2225	835	1935	1980

QUADRI*SIL®

Notes:

Dimensional and electrical values displayed in main table are for an insulator with Y-clevis and Ball end fittings.

For voltages above 400 kV, other section lengths, or end fitting combinations, please contact your HPS representative.

Electrical values are without corona ring. For voltages equal to or greater than 220 kV, refer to the dedicated page within this section for corona rings and associated physical/electrical changes to the above data.

Section Length Adjustment Table, Base End Fittings: Y-clevis-Ball (201)

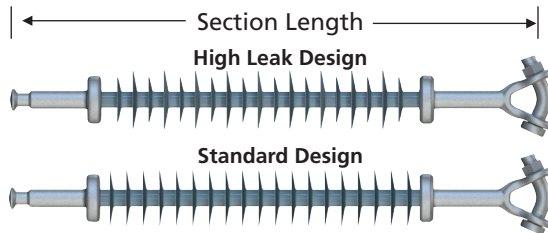
Top Fitting	Bottom Fitting	Top and Bottom End Fitting Digits ("e" & "f") in Catalog Number	Length Change inches (mm)
Y-Clevis	Eye	200	1.62 (41)
Eye	ANSI 52-5 Ball	001	0.02 (0)
Eye	Eye	000	1.64 (42)
ANSI 52-5 Socket	ANSI 52-5 Ball	301	-1.15 (-29)
IEC 16 mm Socket	IEC 16 mm Ball	A07	-0.03 (-1)
ANSI 52-6 Clevis	Eye	400	0.82 (21)
ANSI 52-6 Clevis	ANSI 52-5 Ball	401	-0.8 (-20)

To determine the section length for an insulator with a different end fitting combination, please add or subtract the displayed length change in the table above. For configurations not shown, use the Catalog Number Key or contact your HPS representative.



Suspension Insulators

Mechanical Ratings SML = 160 kN RTL = 80 kN
Rod Diameter: 7/8" (22 mm)



Selection Guide: Typical Line Voltage, kV							Catalog Numbers ANSI / IEC	Nominal Polymer Length inches	Section Length inches (mm)	Strike Distance inches (mm)	Leakage Distance inches (mm)	ANSI Values				IEC Values		
69	110	132	161	220	330	400						60-Hz Dry Flashover (kV)	60-Hz Wet Flashover (kV)	Critical Impulse Positive (kV)	Critical Impulse Negative (kV)	60-Hz 1-minute Wet Withstand (kV)	Impulse Positive Withstand (kV)	Impulse Negative Withstand (kV)
							S160021S2010	021	35.7 (907)	21.6 (549)	55 (1397)	220	210	370	350	145	315	300
							S160021H2010	021	35.7 (907)	22.5 (572)	74 (1880)	225	215	375	355	150	330	315
							S160023S2010	023	37.9 (963)	23.8 (605)	60 (1524)	250	235	415	395	165	350	330
							S160023H2010	023	37.9 (963)	24.7 (627)	82 (2083)	255	240	420	400	170	360	345
							S160030S2010	030	44.4 (1128)	30.3 (770)	77 (1956)	320	305	525	510	210	445	430
							S160030H2010	030	44.4 (1128)	31.1 (790)	104 (2642)	320	310	540	520	215	455	445
							S160036S2010	036	50.8 (1290)	36.8 (935)	93 (2362)	385	365	635	625	260	540	530
							S160036H2010	036	50.8 (1290)	37.6 (955)	126 (3200)	395	375	650	625	265	550	540
							S160043S2010	043	57.3 (1455)	43.2 (1097)	110 (2794)	460	435	730	725	300	630	625
							S160043H2010	043	57.3 (1455)	44.1 (1120)	149 (3785)	470	445	745	735	310	640	635
							S160047S2010	047	61.6 (1565)	47.6 (1209)	121 (3073)	500	475	800	800	330	690	690
							S160047H2010	047	61.6 (1565)	48.4 (1229)	164 (4166)	515	480	810	805	335	705	700
							S160051S2010	051	66 (1676)	51.9 (1318)	132 (3353)	540	510	865	860	360	755	750
							S160051H2010	051	66 (1676)	52.7 (1339)	179 (4547)	545	515	880	875	365	765	765
							S160056S2010	056	70.3 (1786)	56.2 (1427)	143 (3632)	585	545	935	935	385	810	810
							S160056H2010	056	70.3 (1786)	57.1 (1450)	194 (4928)	590	555	945	945	390	825	825
							S160060S2010	060	74.6 (1895)	60.5 (1537)	154 (3912)	625	580	1000	1005	410	870	875
							S160060H2010	060	74.6 (1895)	61.4 (1560)	209 (5309)	630	590	1015	1015	420	885	890
							S160064S2010	064	78.9 (2004)	64.8 (1646)	165 (4191)	660	615	1065	1075	435	930	940
							S160064H2010	064	78.9 (2004)	65.7 (1669)	224 (5690)	670	620	1075	1080	445	945	950
							S160069S2010	069	83.2 (2113)	69.2 (1758)	176 (4470)	695	650	1130	1140	465	990	1000
							S160069H2010	069	83.2 (2113)	70 (1778)	239 (6071)	705	655	1140	1150	470	1000	1010
							S160073S2010	073	87.6 (2225)	73.5 (1867)	187 (4750)	735	685	1200	1210	490	1050	1060
							S160073H2010	073	87.6 (2225)	74.3 (1887)	254 (6452)	745	695	1210	1220	495	1060	1075
							S160077S2010	077	91.9 (2334)	77.8 (1976)	198 (5029)	780	720	1260	1275	515	1110	1125
							S160077H2010	077	91.9 (2334)	78.7 (1999)	268 (6807)	785	725	1275	1285	520	1120	1130
							S160081S2010	081	96.2 (2443)	82.1 (2085)	209 (5309)	815	745	1325	1345	540	1165	1180
							S160081H2010	081	96.2 (2443)	83 (2108)	283 (7188)	825	755	1335	1350	545	1175	1195
							S160086S2010	086	100.5 (2553)	86.4 (2195)	220 (5588)	860	780	1400	1420	565	1220	1240
							S160086H2010	086	100.5 (2553)	87.3 (2217)	298 (7569)	865	800	1415	1425	570	1235	1255
							S160090S2010	090	104.8 (2662)	90.8 (2306)	231 (5867)	890	815	1460	1485	585	1280	1305
							S160090H2010	090	104.8 (2662)	91.6 (2327)	313 (7950)	900	825	1475	1500	590	1290	1310
							S160094S2010	094	109.2 (2774)	95.1 (2416)	242 (6147)	925	850	1520	1545	610	1340	1360
							S160094H2010	094	109.2 (2774)	95.9 (2436)	328 (8331)	935	860	1545	1565	615	1350	1370
							S160099S2010	099	113.5 (2883)	99.4 (2525)	253 (6426)	960	875	1575	1605	630	1395	1420
							S160099H2010	099	113.5 (2883)	100.3 (2548)	343 (8712)	970	885	1590	1615	635	1405	1430
							S160103S2010	103	117.8 (2992)	103.7 (2634)	264 (6706)	990	890	1640	1670	655	1445	1475
							S160103H2010	103	117.8 (2992)	104.6 (2657)	358 (9093)	1000	900	1650	1675	660	1460	1485
							S160107S2010	107	122.1 (3101)	108 (2743)	275 (6985)	1010	920	1695	1725	675	1505	1530
							S160107H2010	107	122.1 (3101)	108.9 (2766)	373 (9474)	1020	925	1700	1735	680	1515	1545
							S160112S2010	112	126.4 (3211)	112.4 (2855)	286 (7264)	1045	950	1755	1790	700	1560	1590
							S160112H2010	112	126.4 (3211)	113.2 (2875)	388 (9855)	1050	955	1760	1800	705	1570	1600
							S160116S2010	116	130.8 (3322)	116.7 (2964)	297 (7544)	1070	975	1815	1855	720	1615	1650
							S160116H2010	116	130.8 (3322)	117.5 (2985)	403 (10236)	1080	985	1825	1860	720	1620	1660
							S160120S2010	120	135.1 (3432)	121 (3073)	308 (7823)	1100	1005	1875	1915	740	1665	1705
							S160120H2010	120	135.1 (3432)	121.9 (3096)	418 (10617)	1110	1010	1885	1925	745	1680	1715
							S160125S2010	125	139.4 (3541)	125.3 (3183)	319 (8103)	1125	1030	1935	1980	760	1720	1760
							S160125H2010	125	139.4 (3541)	126.2 (3205)	433 (10998)	1135	1040	1945	1985	765	1730	1770
							S160129S2010	129	143.7 (3650)	129.6 (3292)	330 (8382)	1155	1055	1995	2040	780	1775	1815
							S160129H2010	129	143.7 (3650)	130.5 (3315)	448 (11379)	1165	1065	2000	2050	780	1785	1825
							S160133S2010	133	148 (3759)	134 (3404)	341 (8661)	1180	1080	2055	2100	795	1830	1870
							S160133H2010	133	148 (3759)	134.8 (3424)	463 (11760)	1190	1090	2060	2110	800	1840	1885
							S160138S2010	138	152.4 (3871)	138.3 (3513)	352 (8941)	1205	1105	2110	2160	815	1880	1925
							S160138H2010	138	152.4 (3871)	139.1 (3533)	478 (12141)	1215	1115	2120	2170	820	1890	1935
							S160142S2010	142	156.7 (3980)	142.6 (3622)	363 (9220)	1230	1130	2170	2220	835	1935	1980
							S160142H2010	142	156.7 (3980)	143.5 (3645)	493 (12522)	1240	1140	2175	2230	840	1940	1990

Notes:
Dimensional and electrical values displayed in main table are for an insulator with Y-clevis and Ball end fittings.

For voltages above 400 kV, other section lengths, or end fitting combinations, please contact your HPS representative.

Electrical values are without corona ring. For voltages equal to or greater than 220 kV, refer to the dedicated page within this section for corona rings and associated physical/electrical changes to the above data.

Section Length Adjustment Table, Base End Fittings: Y-clevis-Ball (201)

Top Fitting	Bottom Fitting	Top and Bottom End Fitting Digits ("e" & "f") in Catalog Number	Length Change inches (mm)
Y-Clevis	Eye	200	1.71 (43)
Eye	ANSI 52-8 Ball	001	0.31 (8)
Eye	Eye	000	2.02 (51)
ANSI 52-8 Socket	ANSI 52-8 Ball	301	-1.27 (-32)
IEC 20 mm Socket	IEC 20 mm Ball	A07	0.26 (7)
Clevis IEC 19-L	Eye	800	0.80 (20)
Clevis IEC 19-L	IEC 20 mm Ball	807	0.06 (2)

To determine the section length for an insulator with a different end fitting combination, please add or subtract the displayed length change in the table above. For configurations not shown, use the Catalog Number Key or contact your HPS representative.

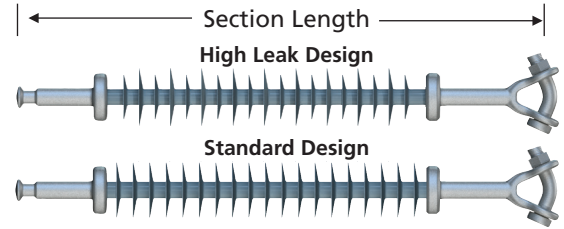


QUADRI-SIL®

Suspension Insulators

Mechanical Ratings SML = 50 kip/210 kN RTL = 25 kip/105 kN

Rod Diameter: 7/8" (22 mm)



Selection Guide: Typical Line Voltage, kV							Catalog Numbers ANSI / IEC	Nominal Polymer Length inches	Section Length inches (mm)	Strike Distance inches (mm)	Leakage Distance inches (mm)	ANSI Values				IEC Values		
69	110	132	161	220	330	400						60-Hz Dry Flashover (kV)	60-Hz Wet Flashover (kV)	Critical Impulse Positive (kV)	Critical Impulse Negative (kV)	60-Hz 1-minute Wet Withstand (kV)	Impulse Positive Withstand (kV)	Impulse Negative Withstand (kV)
							S050021S2010 / S210021S2010	021	33.3 (846)	21.5 (546)	55 (1397)	220	210	370	350	145	315	300
							S050021H2010 / S210021H2010	021	33.3 (846)	22 (559)	64 (1626)	220	210	370	350	150	325	305
							S050023S2010 / S210023S2010	023	35.4 (899)	23.7 (602)	60 (1524)	250	235	415	395	165	350	330
							S050023H2010 / S210023H2010	023	35.4 (899)	24.1 (612)	71 (1803)	250	235	415	395	165	355	335
							S050030S2010 / S210030S2010	030	41.9 (1064)	30.2 (767)	77 (1956)	315	305	525	510	210	445	430
							S050030H2010 / S210030H2010	030	41.9 (1064)	30.6 (777)	90 (2286)	320	305	535	515	210	450	435
							S050036S2010 / S210036S2010	036	48.4 (1229)	36.6 (930)	93 (2362)	385	365	635	620	255	540	525
							S050036H2010 / S210036H2010	036	48.4 (1229)	37.1 (942)	110 (2794)	390	370	645	620	260	540	535
							S050043S2010 / S210043S2010	043	54.9 (1394)	43.1 (1095)	110 (2794)	460	435	730	725	300	630	625
							S050043H2010 / S210043H2010	043	54.9 (1394)	43.6 (1107)	129 (3277)	465	440	740	730	305	635	630
							S050047S2010 / S210047S2010	047	59.2 (1504)	47.4 (1204)	121 (3073)	500	475	800	795	330	690	685
							S050047H2010 / S210047H2010	047	59.2 (1504)	47.9 (1217)	142 (3607)	510	475	805	800	330	695	690
							S050051S2010 / S210051S2010	051	63.5 (1613)	51.8 (1316)	132 (3353)	540	510	865	865	360	750	750
							S050051H2010 / S210051H2010	051	63.5 (1613)	52.2 (1326)	155 (3937)	540	510	875	870	360	760	755
							S050056S2010 / S210056S2010	056	67.8 (1722)	56.1 (1425)	143 (3632)	585	545	925	935	385	810	810
							S050056H2010 / S210056H2010	056	67.8 (1722)	56.5 (1435)	168 (4267)	585	550	940	940	390	815	815
							S050060S2010 / S210060S2010	060	72.1 (1831)	60.4 (1534)	154 (3912)	625	580	1000	1005	410	870	875
							S050060H2010 / S210060H2010	060	72.1 (1831)	60.9 (1547)	181 (4597)	625	585	1010	1010	415	880	880
							S050064S2010 / S210064S2010	064	76.5 (1943)	64.7 (1643)	165 (4191)	660	615	1065	1075	435	930	940
							S050064H2010 / S210064H2010	064	76.5 (1943)	65.2 (1656)	194 (4928)	665	615	1070	1075	440	940	945
							S050069S2010 / S210069S2010	069	80.8 (2052)	69 (1753)	176 (4470)	695	650	1130	1140	465	990	995
							S050069H2010 / S210069H2010	069	80.8 (2052)	69.5 (1765)	207 (5258)	700	650	1135	1145	465	995	1005
							S050073S2010 / S210073S2010	073	85.1 (2162)	73.4 (1864)	187 (4750)	735	685	1200	1210	490	1050	1060
							S050073H2010 / S210073H2010	073	85.1 (2162)	73.8 (1875)	220 (5588)	740	690	1205	1215	495	1055	1065
							S050077S2010 / S210077S2010	077	89.4 (2271)	77.7 (1974)	198 (5029)	780	720	1260	1275	515	1105	1120
							S050077H2010 / S210077H2010	077	89.4 (2271)	78.1 (1984)	233 (5918)	780	720	1270	1280	515	1115	1125
							S050081S2010 / S210081S2010	081	93.7 (2380)	82 (2083)	209 (5309)	815	745	1325	1345	540	1165	1180
							S050081H2010 / S210081H2010	081	93.7 (2380)	82.5 (2096)	246 (6248)	820	750	1330	1345	540	1170	1185
							S050086S2010 / S210086S2010	086	98.1 (2492)	86.3 (2192)	220 (5588)	860	780	1400	1420	560	1220	1240
							S050086H2010 / S210086H2010	086	98.1 (2492)	86.8 (2205)	259 (6579)	860	795	1410	1420	565	1225	1245
							S050090S2010 / S210090S2010	090	102.4 (2601)	90.6 (2301)	231 (5867)	890	815	1460	1485	585	1275	1300
							S050090H2010 / S210090H2010	090	102.4 (2601)	91.1 (2314)	272 (6909)	895	820	1470	1495	585	1285	1305
							S050094S2010 / S210094S2010	094	106.7 (2710)	95 (2413)	242 (6147)	925	850	1520	1545	610	1335	1355
							S050094H2010 / S210094H2010	094	106.7 (2710)	95.4 (2423)	285 (7239)	930	855	1540	1560	615	1340	1365
							S050099S2010 / S210099S2010	099	111 (2819)	99.3 (2522)	253 (6426)	960	875	1575	1600	630	1395	1415
							S050099H2010 / S210099H2010	099	111 (2819)	99.7 (2532)	298 (7569)	965	880	1585	1610	635	1395	1425
							S050103S2010 / S210103S2010	103	115.3 (2929)	103.6 (2631)	264 (6706)	990	890	1640	1670	655	1445	1475
							S050103H2010 / S210103H2010	103	115.3 (2929)	104.1 (2644)	310 (7874)	995	895	1645	1670	660	1450	1485
							S050107S2010 / S210107S2010	107	119.7 (3040)	107.9 (2741)	275 (6985)	1010	920	1690	1725	675	1500	1530
							S050107H2010 / S210107H2010	107	119.7 (3040)	108.4 (2753)	323 (8204)	1015	920	1695	1730	675	1510	1535
							S050112S2010 / S210112S2010	112	124 (3150)	112.2 (2850)	286 (7264)	1040	945	1750	1790	695	1555	1590
							S050112H2010 / S210112H2010	112	124 (3150)	112.7 (2863)	336 (8534)	1045	950	1755	1795	700	1565	1595
							S050116S2010 / S210116S2010	116	128.3 (3259)	116.6 (2962)	297 (7544)	1070	975	1815	1850	720	1615	1645
							S050116H2010 / S210116H2010	116	128.3 (3259)	117 (2972)	349 (8865)	1075	980	1820	1855	720	1620	1655
							S050120S2010 / S210120S2010	120	132.6 (3368)	120.9 (3071)	308 (7823)	1100	1000	1875	1915	735	1665	1705
							S050120H2010 / S210120H2010	120	132.6 (3368)	121.3 (3081)	362 (9195)	1105	1005	1880	1920	740	1670	1710
							S050125S2010 / S210125S2010	125	136.9 (3477)	125.2 (3180)	319 (8103)	1125	1030	1935	1975	760	1720	1755
							S050125H2010 / S210125H2010	125	136.9 (3477)	125.7 (3193)	375 (9525)	1130	1035	1940	1980	760	1725	1765
							S050129S2010 / S210129S2010	129	141.3 (3589)	129.5 (3289)	330 (8382)	1155	1055	1990	2040	780	1770	1815
							S050129H2010 / S210129H2010	129	141.3 (3589)	130 (3302)	388 (9855)	1160	1060	1995	2045	780	1780	1820
							S050133S2010 / S210133S2010	133	145.6 (3698)	133.8 (3399)	341 (8661)	1180	1080	2050	2100	795	1825	1870
							S050133H2010 / S210133H2010	133	145.6 (3698)	134.3 (3411)	401 (10185)	1185	1085	2055	2105	800	1830	1875
							S050138S2010 / S210138S2010	138	149.9 (3807)	138.2 (3510)	352 (8941)	1205	1105	2110	2160	815	1880	1925
							S050138H2010 / S210138H2010	138	149.9 (3807)	138.6 (3520)	414 (10516)	1210	1110	2115	2165	820	1885	1930
							S050142S2010 / S210142S2010	142	154.2 (3917)	142.5 (3620)	363 (9220)	1230	1130	2165	2220	835	1930	1980
							S050142H2010 / S210142H2010	142	154.2 (3917)	142.9 (3630)	427 (10846)	1235	1135	2170	2225	835	1935	1980

QUADRI*SIL®

Notes:
Dimensional and electrical values displayed in main table are for an insulator with Y-clevis and Ball end fittings.

For voltages above 400 kV, other section lengths, or end fitting combinations, please contact your HPS representative.

Electrical values are without corona ring. For voltages equal to or greater than 220 kV, refer to the dedicated page within this section for corona rings and associated physical/electrical changes to the above data.

Section Length Adjustment Table, Base End Fittings: Y-clevis-Ball (201)

Top Fitting	Bottom Fitting	Top and Bottom End Fitting Digits ("e" & "f") in Catalog Number	Length Change inches (mm)
Y-Clevis	Eye	200	1.71 (43)
Eye	ANSI 52-8 Ball	001	0.31 (8)
Eye	Eye	000	2.02 (51)
ANSI 52-8 Socket	ANSI 52-8 Ball	301	-1.27 (-32)
IEC 20 mm Socket	IEC 20 mm Ball	A07	0.26 (7)
Clevis IEC 19-L	Eye	800	0.80 (20)
Clevis IEC 19-L	IEC 20 mm Ball	807	0.06 (2)

To determine the section length for an insulator with a different end fitting combination, please add or subtract the displayed length change in the table above. For configurations not shown, use the Catalog Number Key or contact your HPS representative.



Suspension Insulators

Mechanical Ratings SML = 80 kip/355 kN RTL = 40kip/177.5kN

Rod Diameter: 1.25" (32 mm)

Hubbell Power Systems offers an 80k lbs insulator for extra high voltage applications where increase mechanical strength is required. The 80k lbs (300kN) insulator is part of the reliable Quadri*Sil product line, ensuring ultimate protection against weather and contaminants.

- Cost reduction due to the increased strength of a single string replacing a double string
- Significant weight reduction when compared to porcelain counterparts
- Quadri*Sil's patented four point sealing system
- Integral corona shielding ring
- Proprietary silicone-rubber compound
- Uniform circumferential crimp method



QUADRI*SIL®

Selection Guide: Typical Line Voltage, kV			Catalog Numbers ANSI / IEC	Nominal Polymer Length inches	Section Length inches (mm)	Strike Distance inches (mm)	Leakage Distance inches (mm)	ANSI Values				IEC Values		
								60-Hz Dry Flashover (kV)	60-Hz Wet Flashover (kV)	Critical Impulse Positive (kV)	Critical Impulse Negative (kV)	60-Hz 1-minute Wet Withstand (kV)	Impulse Positive Withstand (kV)	Impulse Negative Withstand (kV)
330	500	765	S080094H0000	94	115.8 (2941)	96.1 (2440)	321 (8153)	940	820	1485	1530	615	1335	1375
			S080099H0000	99	120.1 (3050)	100.5 (2552)	336 (8534)	980	855	1550	1595	640	1395	1435
			S080103H0000	103	124.5 (3162)	104.8 (2661)	351 (8915)	1025	880	1615	1660	660	1450	1490
			S080107H0000	107	128.8 (3271)	109.1 (2771)	365 (9271)	1065	910	1675	1720	680	1505	1545
			S080112H0000	112	133.1 (3380)	113.4 (2880)	380 (9652)	1110	940	1740	1785	705	1565	1605
			S080116H0000	116	137.4 (3490)	117.7 (2989)	394 (10007)	1150	965	1805	1850	720	1620	1665
			S080120H0000	120	141.7 (3599)	122.1 (3101)	409 (10388)	1195	995	1870	1910	745	1680	1715
			S080125H0000	125	146.1 (3710)	126.4 (3210)	424 (10769)	1240	1020	1935	1975	765	1740	1775
			S080129H0000	129	150.4 (3820)	130.7 (3319)	438 (11125)	1280	1045	2000	2035	780	1800	1830
			S080133H0000	133	154.7 (3929)	135 (3429)	453 (11506)	1325	1070	2065	2095	800	1855	1885
			S080135H0000	135	156.9 (3985)	137.2 (3484)	460 (11684)	1345	1085	2095	2125	810	1885	1910
			S080140H0000	140	161.2 (4094)	141.5 (3594)	475 (12065)	1390	1110	2160	2185	830	1940	1965
			S080144H0000	144	165.5 (4203)	145.8 (3703)	490 (12446)	1435	1135	2225	2245	850	2000	2020
			S080148H0000	148	169.8 (4312)	150.1 (3812)	504 (12801)	1475	1155	2290	2305	865	2060	2070
			S080153H0000	153	174.1 (4422)	154.5 (3924)	519 (13182)	1520	1180	2355	2365	885	2115	2125
			S080157H0000	157	178.5 (4533)	158.8 (4033)	533 (13538)	1565	1200	2420	2425	900	2175	2180
			S080164H0000	164	184.9 (4696)	165.3 (4198)	555 (14097)	1630	1235	2515	2510	925	2260	2255
			S080168H0000	168	189.3 (4808)	169.6 (4307)	570 (14478)	1675	1255	2580	2565	940	2320	2305
			S080172H0000	172	193.6 (4917)	173.9 (4417)	585 (14859)	1720	1275	2645	2625	955	2380	2360
			S080174H0000	174	195.7 (4970)	176.1 (4472)	592 (15036)	1740	1285	2675	2650	960	2405	2385
			S080179H0000	179	200.1 (5082)	180.4 (4582)	607 (15417)	1785	1305	2740	2710	975	2465	2435
			S080183H0000	183	204.4 (5191)	184.7 (4691)	621 (15773)	1830	1325	2805	2765	990	2520	2485
			S080187H0000	187	208.7 (5301)	189 (4800)	636 (16154)	1875	1340	2870	2820	1005	2580	2535
			S080192H0000	192	213 (5410)	193.3 (4909)	651 (16535)	1920	1360	2935	2875	1020	2640	2585
			S080196H0000	196	217.3 (5519)	197.7 (5021)	665 (16891)	1965	1375	3000	2930	1030	2700	2635
			S080200H0000	200	221.7 (5631)	202 (5130)	680 (17272)	2010	1390	3065	2980	1040	2755	2680
			S080205H0000	205	226 (5740)	206.3 (5240)	694 (17627)	2055	1405	3130	3035	1050	2815	2730
			S080209H0000	209	230.3 (5849)	210.6 (5349)	709 (18008)	2100	1420	3190	3085	1065	2870	2775
			S080213H0000	213	234.6 (5958)	214.9 (5458)	724 (18389)	2145	1435	3255	3140	1075	2925	2825



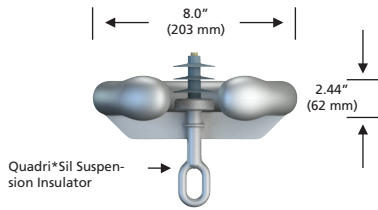
Corona Performance

Quadri*Sil® insulators are RIV and corona free through 161 kV. The use of an external corona shielding ring is required at 220 / 230 kV and above. The table below details the rings necessary for 220 / 230 kV and above.

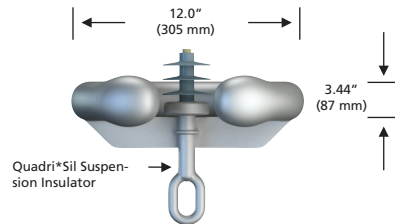
Recommended Corona Ring Installation Table

Normal Applications: Top Grounded, Bottom Energized

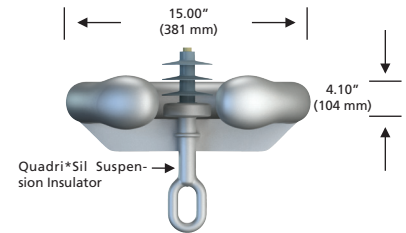
Recommended Corona Rings by Line Voltage			25 kip, 30 kip, 120 kN		133 kN, 50 kip, 160 kN, 210 kN		80 kip	
Line Voltage (kV)	Ground End	Line End	Ground End	Line End	Ground End	Line End	Ground End	Line End
220/230 kV	None	8" (203 mm)	-	2717613001	-	2717613002	-	2717613003
330/345 kV	None	12" (305 mm)	-	2717053001	-	2717053002	-	2717053003
400 kV	8" (203 mm)	12" (305 mm)	2717613001	2717053001	2717613002	2717053002	2717613003	2717053003
500 kV	8" (203 mm)	15" (381 mm)	2717613001	2717513001	2717613002	2717513002	2717053003	2717513003



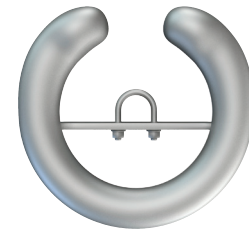
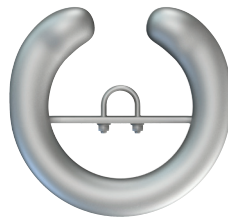
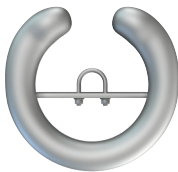
Part Number 271761



Part Number 271705



Part Number 271751

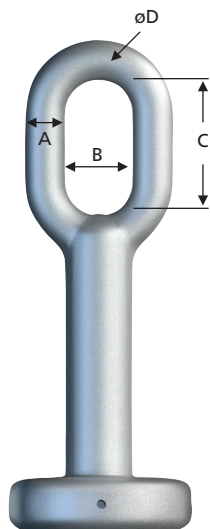


Electrical/Dimensional Changes to the Suspension Insulator with External Corona Ring

Physical and Electrical Characteristics	220/230 kV Ring	330/345 kV Ring	400 kV Ring	500 kV Ring
Dry Arc Distance inches (mm)	-0.63 (-16)	-1.32 (33.5)	-1.95 (49.5)	-2.67 (67.8)
Leakage Distance inches (mm)	0	0	0	0
ANSI 60 Hz Flashover Dry — kV	-10	-20	-20	-30
ANSI 60 Hz Flashover Wet — kV	-10	-10	-20	-30
ANSI Critical Flashover Positive — kV	-10	-20	-30	-40
ANSI Critical Flashover Negative — kV	-10	-20	-30	-50
IEC Wet Switching Impulse Withstand — kV	N/A	N/A	N/A	N/A
IEC Power Frequency Wet Withstand — kV	-10	-10	-20	-30
IEC Lightning Impulse Withstand Positive — kV	-10	-20	-30	-40
IEC Lightning Impulse Withstand Negative — kV	-10	-20	-30	-50
Net Weight pounds (kg)	2.1 (1.0)	2.9 (1.3)	5.0 (2.3)	6.5 (2.9)

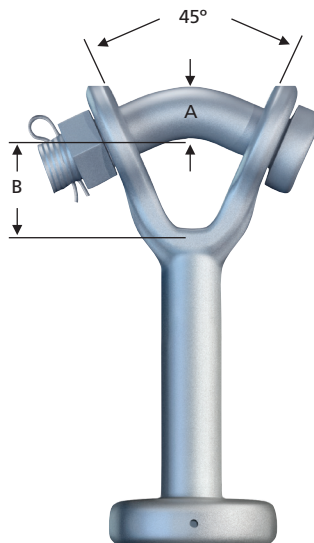


Most Common End Fittings



Chain Eye

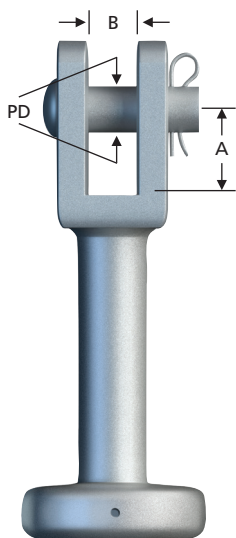
SML	Dimensions in. (mm)			
	A	B	C	D
25 kip (111 kN)	0.62 (15.74)	0.62 (15.74)	2.00 (50.80)	2.00 (50.80)
120 kN	0.62 (15.74)	0.62 (15.74)	2.00 (50.80)	2.00 (50.80)
30 kip (133 kN)	0.75 (19.05)	0.75 (19.05)	2.00 (50.80)	2.00 (50.80)
36 kip (160 kN)	0.75 (19.05)	0.75 (19.05)	2.00 (50.80)	2.00 (50.80)
210 kN	0.75 (19.05)	0.75 (19.05)	2.00 (50.80)	2.00 (50.80)
50 kip (222 kN)	0.75 (19.05)	0.75 (19.05)	2.00 (50.80)	2.00 (50.80)



Y-Clevis

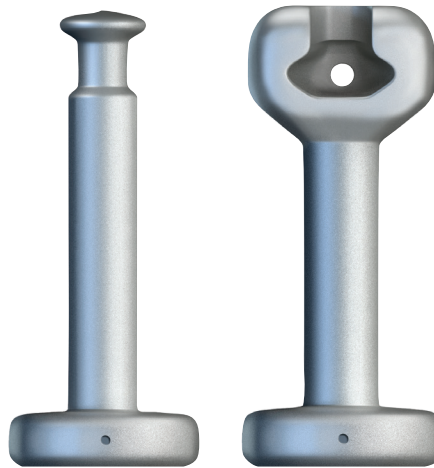
SML	Dimensions in. (mm)		
	A	B	Bolt Dia.
25 kip (111 kN)	0.75 (19.05)	1.53 (38.86)	0.75 (19)
120 kN	0.75 (19.05)	1.53 (38.86)	0.75 (19)
30 kip (133 kN)	0.88 (22.35)	1.59 (40.39)	0.88 (22)
36 kip (160 kN)	0.88 (22.35)	1.59 (40.39)	0.88 (22)
210 kN	0.88 (22.35)	1.59 (40.39)	0.88 (22)
50 kip (222 kN)	0.88 (22.35)	1.59 (40.39)	0.88 (22)

QUADRI-SIL®



Straight Clevis

SML	CLASS	Dimensions in. (mm)		
		A	B	PD
25 kip (111 kN)	ANSI 52-6	1.22 (31)	0.75 (19)	0.62 (16)
120 kN	IEC 16C	1.22 (31)	0.75 (19)	0.62 (16)
30 kip (133 kN)	ANSI 52-6	1.22 (31)	0.75 (19)	0.62 (16)
36 kip (160 kN)	IEC 19L	1.38 (35)	0.83 (21)	0.75 (19)
210 kN	IEC 19L	1.38 (35)	0.83 (21)	0.75 (19)
50 kip (222 kN)	N/A			

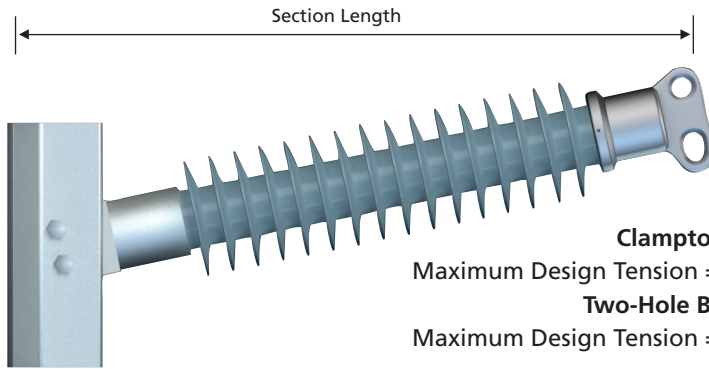


Ball/Socket

SML	CLASS
25 kip (111 kN)	ANSI 52-5
120 kN	IEC 16mm
30 kip (133 kN)	ANSI 52-5
36 kip (160 kN)	ANSI 52-8 (IEC 20 mm)
210 kN	IEC 20 mm
50 kip (222 kN)	ANSI 52-11

Horizontal Line Post Insulators

2.5" (63.5 mm) Rod Diameter

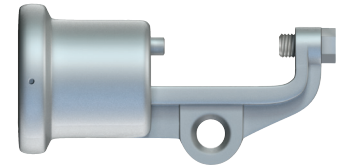


Clamptop:

Maximum Design Tension = 2,500 lbs. (11.1 kN)

Two-Hole Blade:

Maximum Design Tension = 7,500 lbs. (33.4 kN)



Horizontal Clamptop End Fitting
Increases the section length
dimensions by 0.75"

Selection Guide: Typical Line Voltage, kV ⁽¹⁾	Catalog Numbers	Nominal Polymer Length inches	Section Length inches (mm)	Strike Distance inches (mm)	Leakage Distance inches (mm)	ANSI Values				IEC Values			SCL lbs. (kN)
						⁽²⁾ 60-Hz Dry Flashover (kV)	⁽²⁾ 60-Hz Wet Flashover (kV)	⁽²⁾ Impulse Positive Critical (kV)	⁽²⁾ Impulse Negative Critical (kV)	⁽²⁾ 60-Hz 1-minute Wet Withstand (kV)	⁽²⁾ Impulse Positive Withstand (kV)	⁽²⁾ Impulse Negative Withstand (kV)	
69	P250024S0020	024	36.9 (937)	25.0 (635)	63 (1600)	255	235	385	505	195	365	475	5000 (22.2)
110	P250026S0020	026	39.3 (998)	27.4 (696)	69 (1753)	280	255	425	540	215	400	510	5000 (22.2)
132	P250031S0020	031	44.0 (1117)	32.2 (818)	82 (2083)	330	300	510	615	255	480	580	4490 (20.0)
161	P250036S0020	036	48.8 (1239)	37.1 (942)	95 (2413)	380	345	580	690	290	550	655	3950 (17.6)
220	P250043S0020	043	55.9 (1419)	44.3 (1125)	113 (2870)	455	405	700	800	340	665	760	3340 (14.9)
330	P250048S0020	048	60.6 (1539)	49.2 (1250)	126 (3200)	515	450	770	880	380	730	835	3030 (13.5)
	P250053S0020	053	65.3 (1658)	54.0 (1372)	139 (3531)	565	495	855	950	420	810	900	2770 (12.3)
	P250058S0020	058	70.1 (1780)	58.8 (1494)	151 (3835)	600	525	920	1025	445	870	970	2550 (11.3)
	P250060S0020	060	72.4 (1838)	61.3 (1557)	158 (4013)	625	540	955	1065	455	905	1010	2460 (10.9)
	P250065S0020	065	77.2 (1960)	66.1 (1679)	170 (4318)	675	580	1035	1140	490	980	1080	2280 (10.1)
	P250070S0020	070	81.9 (2080)	70.9 (1801)	183 (4648)	720	615	1115	1215	520	1055	1150	2130 (9.5)
	P250075S0020	075	86.6 (2199)	75.8 (1925)	196 (4978)	765	650	1190	1290	550	1130	1225	2000 (8.9)
	P250080S0020	080	91.4 (2321)	80.6 (2047)	208 (5283)	815	680	1265	1360	575	1200	1290	1890 (8.4)
	P250087S0020	087	98.5 (2501)	87.9 (2233)	227 (5766)	880	735	1380	1475	620	1310	1400	1740 (7.7)
	P250092S0020	092	103.2 (2621)	92.7 (2355)	240 (6096)	925	765	1455	1550	650	1380	1470	1650 (7.3)
	P250096S0020	096	107.9 (2740)	97.6 (2479)	252 (6401)	975	800	1535	1625	680	1455	1540	1570 (7.0)
	P250101S0020	101	112.7 (2862)	102.4 (2601)	265 (6731)	1015	830	1610	1700	705	1525	1615	1500 (6.7)
	P250104S0020	104	115.1 (2923)	104.8 (2662)	271 (6883)	1040	845	1650	1735	715	1565	1645	1460 (6.5)
	P250106S0020	106	117.4 (2981)	107.2 (2723)	278 (7061)	1060	860	1685	1770	730	1600	1680	1430 (6.4)
	P250109S0020	109	119.8 (3042)	109.7 (2786)	284 (7214)	1085	875	1725	1810	740	1635	1715	1400 (6.2)
	P250111S0020	111	122.2 (3103)	112.1 (2847)	290 (7366)	1105	890	1765	1850	755	1675	1755	1370 (6.1)

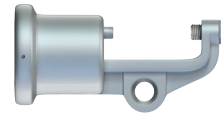
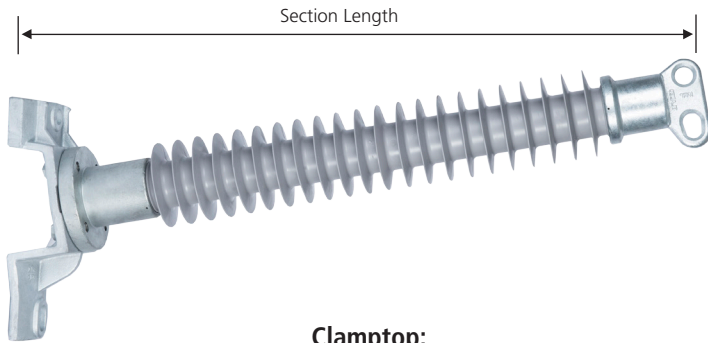
Notes:

- For voltages above 330 kV, other section lengths, or end fitting combinations, please contact your HPS representative.
- Electrical values are without corona ring. For voltages equal to or greater than 220 kV, refer to the dedicated page within this section for corona rings and associated physical/electrical changes to the above data.
- The catalog number shown in the table is for a 2.5" (63.5mm) rod diameter line post with a two hole blade on the line end and a rigid base on the tower end. For other end fitting combinations, please refer to the Catalog Number Key located at the front of this section.

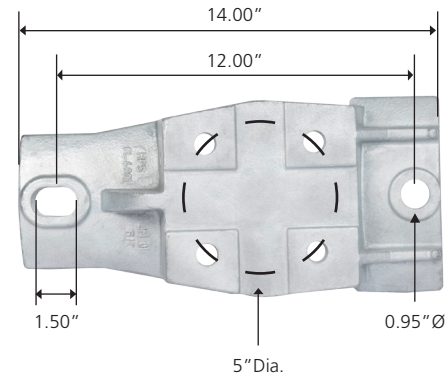


Horizontal Line Post Insulators with Rigid Base

2.5" (63.5 mm) Rod Diameter



Horizontal Clamptop End Fitting
Increases the section length dimensions by 0.75"



Clamptop:
Maximum Design Tension = 2,500 lbs. (11.1 kN)
Two-Hole Blade:
Maximum Design Tension = 7,500 lbs. (33.4 kN)

QUADRI-SIL®

Selection Guide: Typical Line Voltage, kV ⁽¹⁾	Catalog Numbers	Nominal Polymer Length inches	Section Length inches (mm)	Strike Distance inches (mm)	Leakage Distance inches (mm)	ANSI Values				IEC Values			SCL lbs. (kN)
						⁽²⁾ 60-Hz Dry Flashover (kV)	⁽²⁾ 60-Hz Wet Flashover (kV)	⁽²⁾ Impulse Positive Critical (kV)	⁽²⁾ Impulse Negative Critical (kV)	⁽²⁾ 60-Hz 1-minute Wet Withstand (kV)	⁽²⁾ Impulse Positive Withstand (kV)	⁽²⁾ Impulse Negative Withstand (kV)	
69 110 132 161 220 330	P250024S0500	024	35.7 (906)	25 (635)	63 (1600)	255	235	385	505	195	365	475	5000 (22.3)
	P250026S0500	026	38.1 (968)	27.4 (696)	69 (1753)	280	255	425	540	215	400	510	5000 (22.3)
	P250031S0500	031	42.8 (1087)	32.2 (818)	82 (2083)	330	300	510	615	255	480	580	4340 (19.3)
	P250036S0500	036	47.6 (1209)	37.1 (942)	95 (2413)	380	345	580	690	290	550	655	3830 (17)
	P250043S0500	043	54.7 (1389)	44.3 (1125)	113 (2870)	455	405	700	800	340	665	760	3250 (14.5)
	P250048S0500	048	59.4 (1509)	49.2 (1250)	126 (3200)	515	450	770	880	380	730	835	2960 (13.2)
	P250053S0500	053	64.1 (1628)	54 (1372)	139 (3531)	565	495	855	950	420	810	900	2710 (12.1)
	P250058S0500	058	68.9 (1750)	58.8 (1494)	151 (3835)	600	525	920	1025	445	870	970	2500 (11.1)
	P250060S0500	060	71.2 (1808)	61.3 (1557)	158 (4013)	625	540	955	1065	455	905	1010	2410 (10.7)
	P250065S0500	065	76 (1930)	66.1 (1679)	170 (4318)	675	580	1035	1140	490	980	1080	2240 (10)
	P250070S0500	070	80.7 (2050)	70.9 (1801)	183 (4648)	720	615	1115	1215	520	1055	1150	2100 (9.3)
	P250075S0500	075	85.4 (2169)	75.8 (1925)	196 (4978)	765	650	1190	1290	550	1130	1225	1970 (8.8)
	P250080S0500	080	90.2 (2291)	80.6 (2047)	208 (5283)	815	680	1265	1360	575	1200	1290	1860 (8.3)
	P250087S0500	087	97.3 (2471)	87.9 (2233)	227 (5766)	880	735	1380	1475	620	1310	1400	1710 (7.6)
	P250092S0500	092	102 (2591)	92.7 (2355)	240 (6096)	925	765	1455	1550	650	1380	1470	1630 (7.3)
	P250096S0500	096	106.7 (2710)	97.6 (2479)	252 (6401)	975	800	1535	1625	680	1455	1540	1550 (6.9)
	P250101S0500	101	111.5 (2832)	102.4 (2601)	265 (6731)	1015	830	1610	1700	705	1525	1615	1480 (6.6)
	P250104S0500	104	113.9 (2893)	104.8 (2662)	271 (6883)	1040	845	1650	1735	715	1565	1645	1440 (6.4)
	P250106S0500	106	116.2 (2951)	107.2 (2723)	278 (7061)	1060	860	1685	1770	730	1600	1680	1410 (6.3)
	P250109S0500	109	118.6 (3012)	109.7 (2786)	284 (7214)	1085	875	1725	1810	740	1635	1715	1380 (6.1)
	P250111S0500	111	121 (3073)	112.1 (2847)	290 (7366)	1105	890	1765	1850	755	1675	1755	1350 (6)

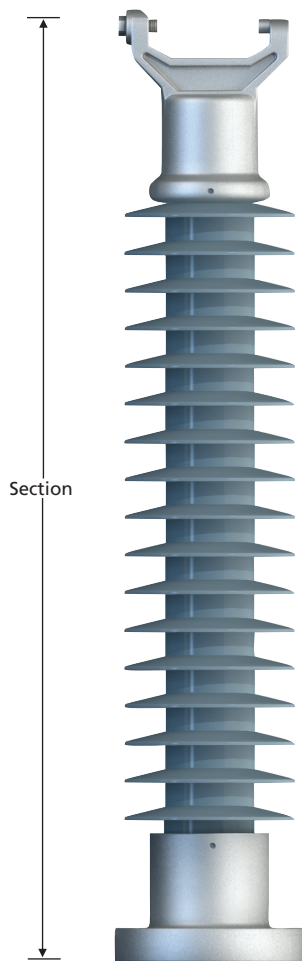
Notes:

- For voltages above 330 kV, other section lengths, or end fitting combinations, please contact your HPS representative.
- Electrical values are without corona ring. For voltages equal to or greater than 220 kV, refer to the dedicated page within this section for corona rings and associated physical/electrical changes to the above data.
- The catalog number shown in the table is for a 2.5" (63.5mm) rod diameter line post with a two hole blade on the line end and a rigid base on the tower end. For other end fitting combinations, please refer to the Catalog Number Key located at the front of this section.

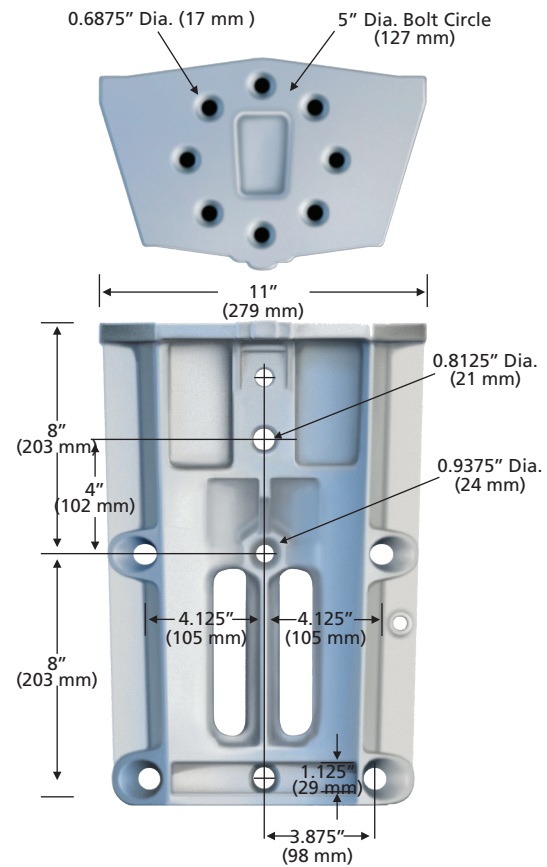


Vertical Line Post Insulators

2.5" (63.5 mm) Rod Diameter



Maximum Design Tension = 2,500 lbs. (11.1 kN)



Cat. No. 75115
Rated 134,400 lb.-in.

QUADRI*SIL®

Selection Guide: Typical Line Voltage, kV ⁽¹⁾	Catalog Numbers	Nominal Polymer Length inches	Section Length inches (mm)	Strike Distance inches (mm)	Leakage Distance inches (mm)	ANSI Values				IEC Values			SCL lbs. (kN)
						⁽²⁾ 60-Hz Dry Flashover (kV)	⁽²⁾ 60-Hz Wet Flashover (kV)	⁽²⁾ Impulse Positive Critical (kV)	⁽²⁾ Impulse Negative Critical (kV)	⁽²⁾ 60-Hz 1-minute Wet Withstand (kV)	⁽²⁾ Impulse Positive Withstand (kV)	⁽²⁾ Impulse Negative Withstand (kV)	
69 110 132 161	P250024S2050	024	35.0 (889)	25.0 (635)	63 (1600)	255	235	385	505	195	365	475	5000 (22.3)
	P250026S2050	026	37.4 (950)	27.4 (696)	69 (1753)	280	255	425	540	215	400	510	5000 (22.3)
	P250031S2050	031	42.3 (1074)	32.2 (818)	82 (2083)	330	300	510	615	255	480	580	4200 (18.7)
	P250036S2050	036	47.1 (1196)	37.1 (942)	95 (2413)	380	345	580	690	290	550	655	3720 (16.6)
	P250043S2050	043	54.4 (1382)	44.3 (1125)	113 (2870)	455	405	700	800	340	665	760	3180 (14.2)
	P250048S2050	048	59.2 (1504)	49.2 (1250)	126 (3200)	515	450	770	880	380	730	835	2900 (12.9)
	P250053S2050	053	64.1 (1628)	54.0 (1372)	139 (3531)	565	495	855	950	420	810	900	2660 (11.8)
	P250058S2050	058	68.9 (1750)	58.8 (1494)	151 (3835)	600	525	920	1025	445	870	970	2460 (10.9)
	P250060S2050	060	71.3 (1811)	61.3 (1557)	158 (4013)	625	540	955	1065	455	905	1010	2370 (10.5)

- Notes:
- For voltages above 161 kV, other section lengths, or end fitting combinations, please contact your HPS representative.
 - Electrical values are without corona ring. For voltages equal to or greater than 220 kV, refer to the dedicated page within this section for corona rings and associated physical/electrical changes to the above data.
 - The catalog number shown on the table is for a 2.5" (63.5mm) rod diameter line post with a vertical clamptop on the line end and a 5" Bolt Circle with tapped holes on the ground end. For other end fitting combinations, please refer to the Catalog Number Key located at the front of this section.



Vertical Line Post Assembly

2.5" (63.5 mm) Rod Diameter

QUADRI-SIL®

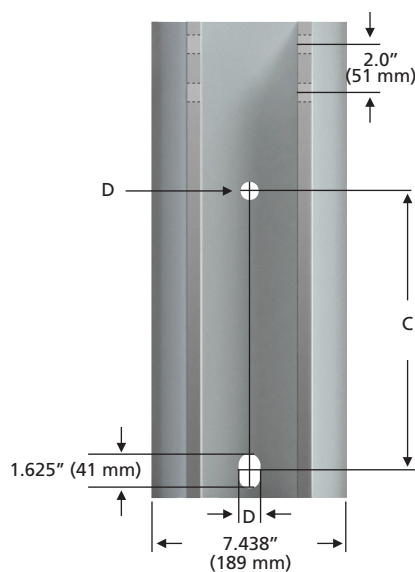
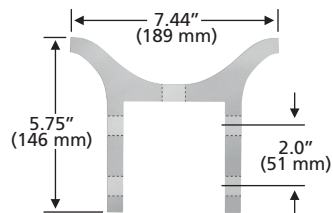
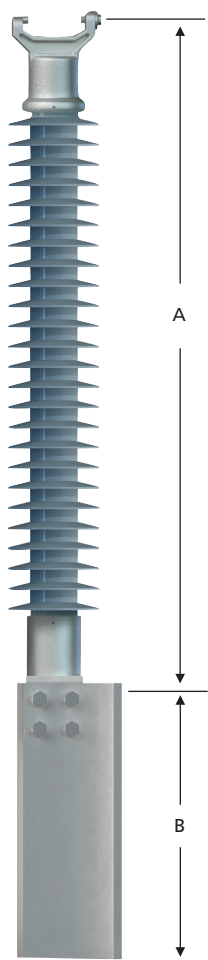


Table A

Selection Guide: Typical Line Voltage, kV ⁽¹⁾	Catalog Numbers	Nominal Polymer Length inches	"A" Length inches (mm)
69 110 132 161	P250024S2XX0	024	34.7 (881)
	P250026S2XX0	026	37.1 (942)
	P250031S2XX0	031	42 (1067)
	P250036S2XX0	036	46.8 (1189)
	P250043S2XX0	043	54.1 (1374)
	P250048S2XX0	048	58.9 (1496)
	P250053S2XX0	053	63.6 (1615)
	P250058S2XX0	058	68.4 (1737)
	P250060S2XX0	060	70.7 (1796)

Table B

"XX" Code ⁽²⁾	Style	"B" Length inches (mm)	"C" Length inches (mm)	"D" Diameter inches (mm)
20	Face	20 (508)	12 (305)	0.8125 (21)
21	Side	20 (508)	12 (305)	0.8125 (21)
22	Face	20 (508)	12 (305)	0.9375 (24)
23	Side	20 (508)	12 (305)	0.9375 (24)
24	Face	31.75 (806)	16 (406)	0.8125 (21)
25	Side	31.75 (806)	16 (406)	0.8125 (21)
26	Face	31.75 (806)	16 (406)	0.9375 (24)

Notes:

1. Insulators in Table A have the same electrical and mechanical characteristics as those on page with a vertical clamptop on the line end and a 5" Bolt Circle on the ground end.
2. According to your preferred mounting configuration, replace the "xx" in catalog number from Table A with the two-digit "xx" code from Table B.



Mechanical Ratings

Line post insulators are cantilever support members, with ratings defined as follows:

Specified Cantilever Load (SCL)

SCL is the ultimate cantilever strength rating of the Quadri*Sil® line post insulator. SCL is identical to the minimum average breaking load (ABL) rating in previous catalogs.

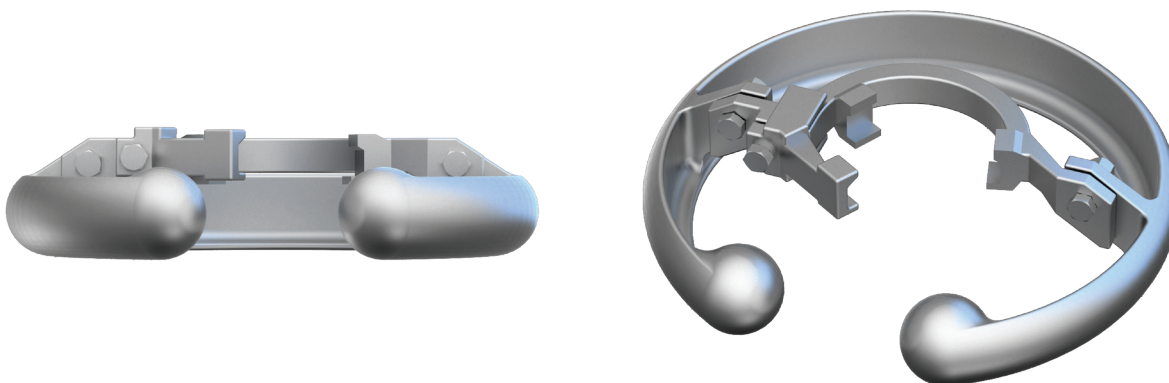
Reference Cantilever Load (RCL)

RCL represents the maximum recommended load in cantilever that a Quadri*Sil® post insulator is designed to withstand during its life span. RCL equals 50 percent of the SCL, and is identical to the insulator's maximum working load (MWL) and maximum design cantilever load (MDCL).

Combined Load Charts

Line design loads for most insulators include tension, or compression, in addition to the primary vertical cantilever load. Longitudinal loading should also be considered. Contact your Hubbell Power Systems representative to request combined load charts.

Corona Performance



QUADRI***SIL**®

Line Post Insulators

2.5" (63.5 mm) Rod Diameter Horizontal

Application	161 kv & Below	230 kv	345 kv	500 kv
Line End	NONE	PSPISCRCL0123006	2739713001	PSPISCRCL0153003
Ground End	NONE	NONE	NONE	2739713001

Electrical/Dimensional Changes to the Insulator with External Corona Ring

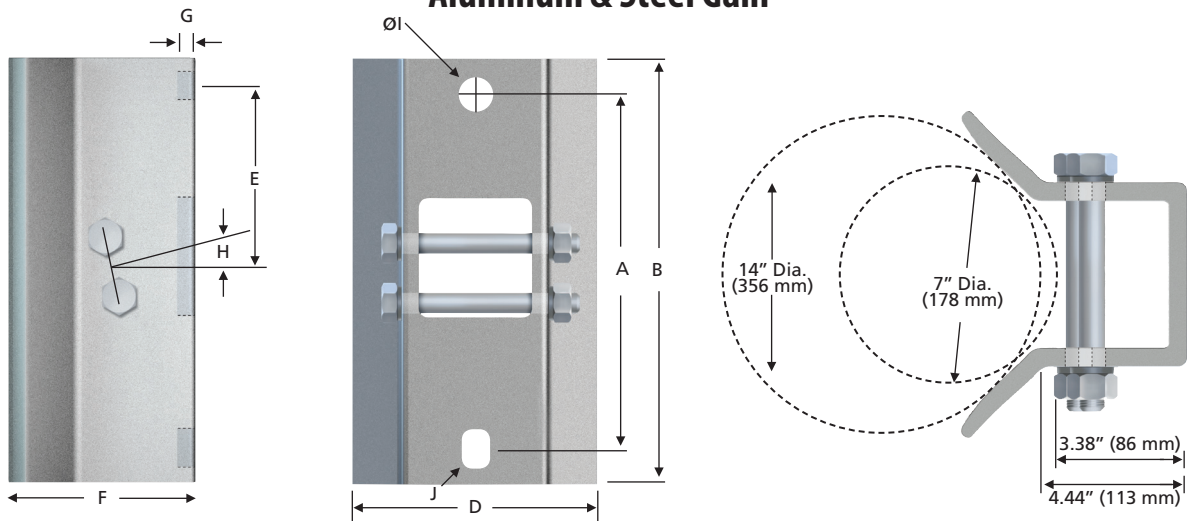
Physical & Electrical Characteristics	220/230 kV Ring	330/345 kV Ring	500 kV Rings
Dry Arc Distance inches (mm)	-1.86 (-47)	-2.58 (-66)	-5.7 (-144)
Leakage Distance inches (mm)	0	0	0
ANSI 60 Hz Flashover Dry — kV	-20	-30	-60
ANSI 60 Hz Flashover Wet — kV	-20	-20	-50
ANSI Critical Flashover Positive — kV	-30	-40	-90
ANSI Critical Flashover Negative — kV	-30	-40	-90
IEC Wet Switching Impulse Withstand — kV	N/A	N/A	N/A
IEC Power Frequency Wet Withstand — kV	-20	-20	-50
IEC Lightning Impulse Withstand Positive — kV	-30	-40	-90
IEC Lightning Impulse Withstand Negative — kV	-30	-40	-90
Net Weight pounds (kg)	3.4 (1.5)	5.2 (2.3)	10.4 (4.7)



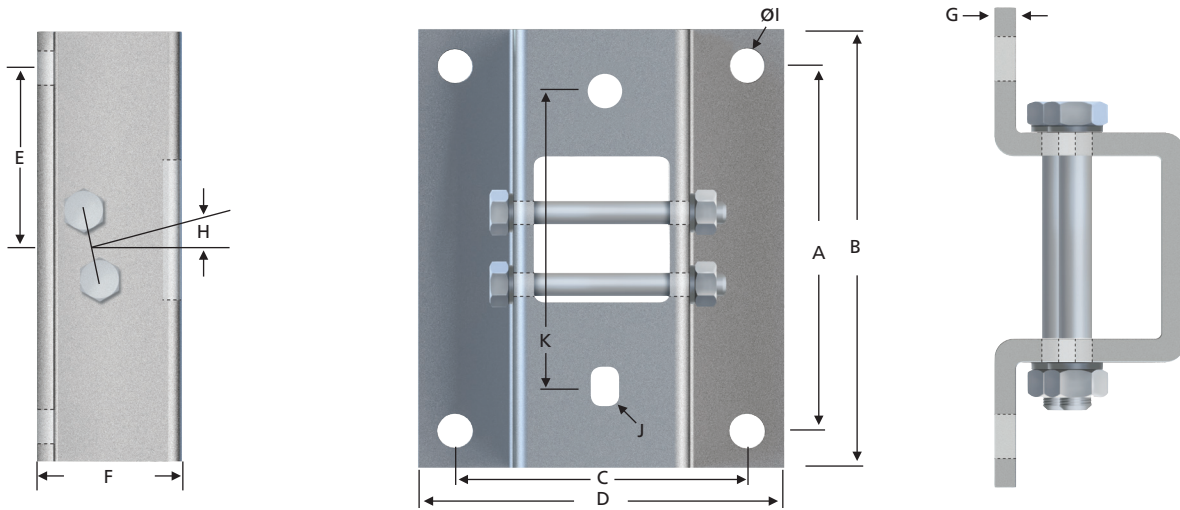
Base Fittings

2.5" (63.5 mm) Rod Diameter

Aluminum & Steel Gain



Aluminum & Steel Flat



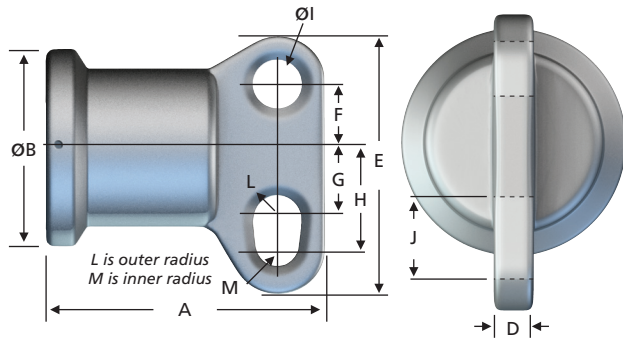
Horizontal and Vertical Bases inches (mm)

Type (Code)	A	B	C	D	E	F	G	H	I	J	K	Material
5" Bolt Circle (15)	4.75 (121)	6.25 (159)	3.63 (92)	0.90 (23)	5.0 (127)	-	-	-	0.69 (18)	-	-	60-40-18 D.I.
5" Bolt Circle (05)	4.75 (121)	6.25 (159)	3.63 (92)	0.90 (23)	5.0 (127)	-	-	-	5/8 - 11 UFS	-	-	60-40-18 D.I.
Aluminum Gain (02)	12.0 (305)	14.0 (356)	-	8.06 (205)	6.13 (156)	5.56 (141)	0.5 (13)	12°	0.94 (24)	0.94 X 1.31 (24x33)	-	6063 T5 AL
Aluminum Gain (12)	12.0 (305)	14.0 (356)	-	8.06 (205)	6.13 (156)	5.56 (141)	0.5 (13)	12°	0.81 (21)	0.94 X 1.31 (24x33)	-	6063 T5 AL
Steel Gain (07)	12.0 (305)	15.0 (381)	-	8.33 (212)	6.5 (165)	6.04 (153)	0.38 (10)	12°	0.94 (24)	0.94 X 2.0 (24x51)	-	Low Carbon Steel
Aluminum Flat (03)	10.0 (254)	12.0 (305)	8.0 (203)	10.0 (254)	5.0 (127)	4.0 (102)	0.5 (13)	12°	0.94 (24)	-	-	6063 T5 AL
Aluminum Flat (13)	10.0 (254)	12.0 (305)	8.0 (203)	10.0 (254)	5.0 (127)	4.0 (102)	0.5 (13)	12°	0.81 (21)	-	-	6063 T5 AL
Steel Flat (08)	13.0 (330)	15.0 (381)	8.0 (203)	10.0 (254)	6.5 (165)	4.0 (102)	0.38 (10)	12°	1.125 X 0.94 (26x24)	0.94 X 2.0 (24x51)	12.0 (305)	Low Carbon Steel
Aluminum Flat (04)	13.0 (330)	15.0 (381)	8.0 (203)	10.0 (254)	6.5 (165)	4.0 (102)	0.5 (13)	12°	0.94 (24)	0.94 X 1.31 (24x33)	12.0 (305)	6063 T5 AL
Aluminum Flat (14)	13.0 (330)	15.0 (381)	8.0 (203)	10.0 (254)	6.5 (165)	4.0 (102)	0.5 (13)	12°	0.81 (21)	0.81 X 1.31 (21x33)	12.0 (305)	6063 T5 AL

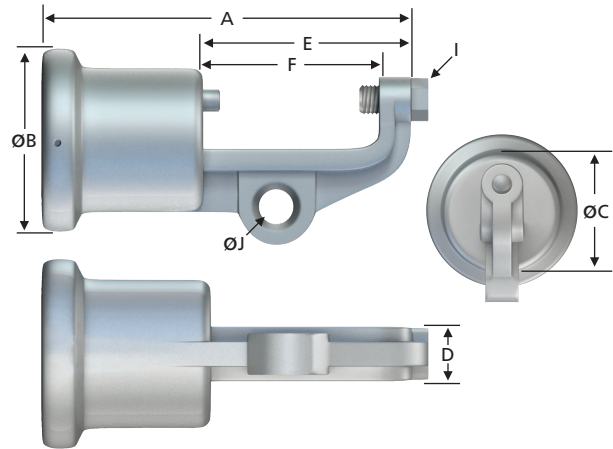
Line Fittings

2.5" (63.5 mm) Rod Diameter

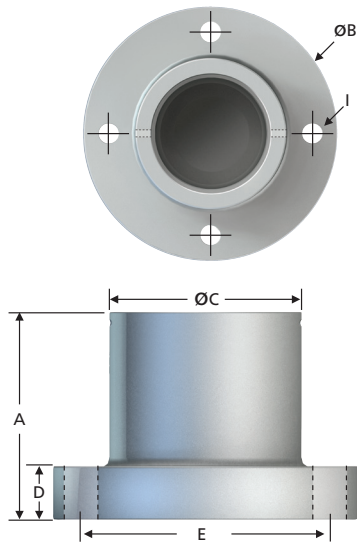
Two Hole Blade



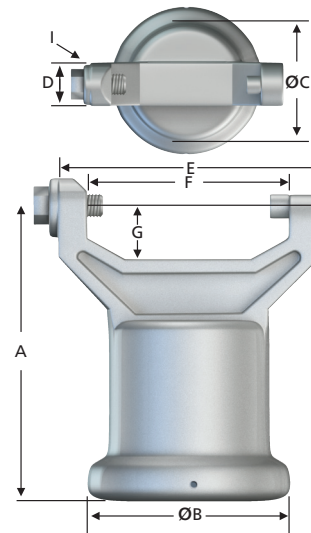
Horizontal Clamptop



5" Bolt Circle Line or Base Fitting



Vertical Clamptop Part per ANSI C29.7



Horizontal and Vertical End Fittings inches (mm)

Type (Code)	A	B	C	D	E	F	G	H	I	J	L	M	Material
2 Hole Blade (0)	5.73 (146)	4.0 (102)	-	0.75 (19)	5.25 (133)	1.25 (32)	1.50 (38)	2.00 (51)	1.0 (25)	1.44 (37)	0.5R (12.7R)	0.44R (11R)	60-40-18 D.I.
2 Hole Long Blade (9)	5.73 (146)	4.0 (102)	-	0.75 (19)	7.75 (197)	1.25 (32)	4.0 (102)	4.5 (114)	1.0 (25)	1.44 (37)	0.5R (12.7R)	0.44R (11R)	60-40-18 D.I.
H. Clamptop (1)	8.24 (209)	4.0 (102)	3.30 (84)	1.12 (28)	4.72 (120)	4.0 (102)	-	-	5/8 - 11 UFS	0.75 (19)	-	-	60-40-18 D.I.
5" Bolt Circle (3)	4.75 (121)	6.25 (159)	3.63 (92)	0.90 (23)	5.0 (127)	-	-	-	5/8 - 11 UFS	-	-	-	60-40-18 D.I.
5" Bolt Circle (5)	4.75 (121)	6.25 (159)	3.63 (92)	0.90 (23)	5.0 (127)	-	-	-	0.69 x Holes (18 x Holes)	-	-	-	60-40-18 D.I.
V. Clamptop (2)	5.88 (149)	4.0 (102)	3.30 (84)	1.12 (28)	5.37 (136)	4.0 (102)	1.06 (27)	-	5/8 - 11 UFS	-	-	-	60-40-18 D.I.



Clamptop Clamps inches (mm)

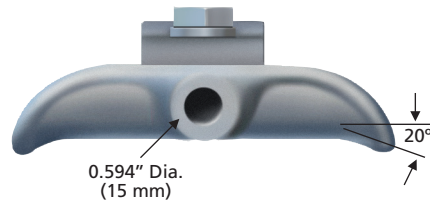
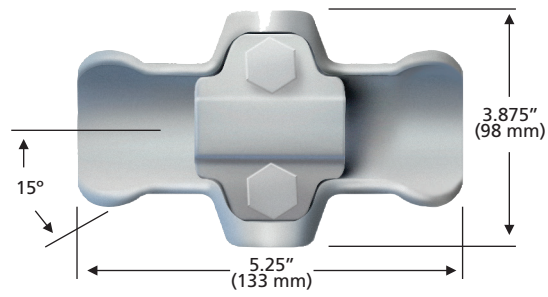


Figure 1

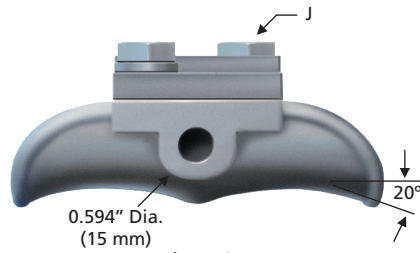
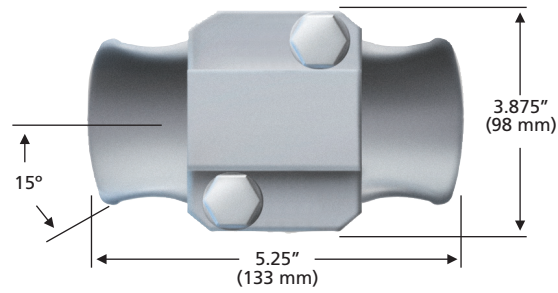


Figure 2

Fig. No.	Catalog Number	Body & Keeper Material Ring	Clamping Range Inches (mm)	Ultimate Body Strength lbs. (kN)
1	TSC57	356-T6 AL	0.25 - 0.57 (6.3 - 14.4)	2800 (12.46)
1	TSC86	356-T6 AL	0.35 - 0.86 (8.8 - 21.8)	2800 (12.46)
1	TSC106	356-T6 AL	0.50 - 1.06 (12.7 - 26.9)	2800 (12.46)
1	TSC150	356-T6 AL	1.00 - 1.50 (25.4 - 38.1)	2800 (12.46)
2	TSC200	356-T6 AL	1.50 - 2.00 (38.1 - 50.8)	2800 (12.46)

Jumper Clamps and Assemblies

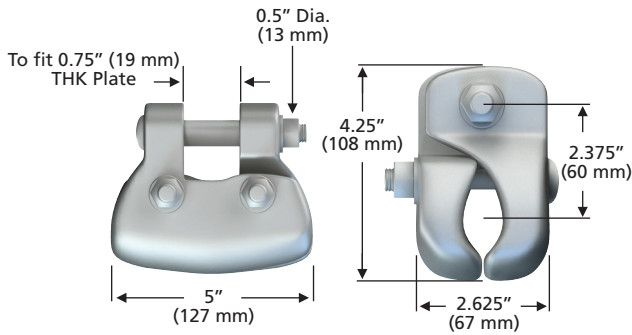


Figure 1

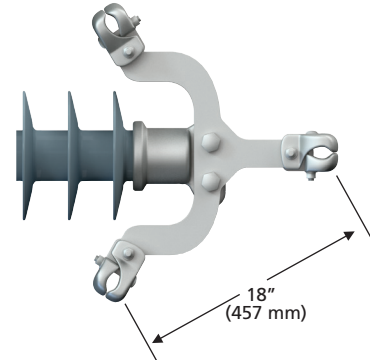


Figure 3

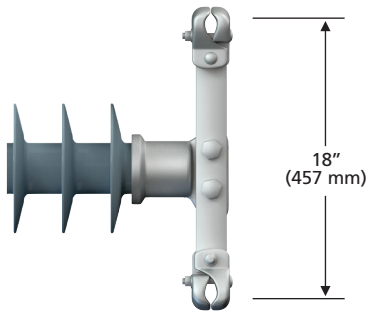


Figure 2

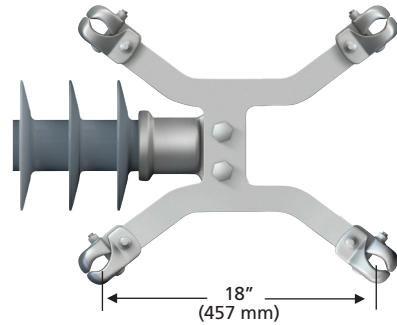


Figure 4

Figure	Catalog Number 2.5" Posts	Catalog Number 3.0" Posts	Yoke Type	Clamping Range Inches (mm)
1	976423002	976423002	None	1.00 - 1.40 (25 - 36)
1	976423003	976423003	None	1.40 - 1.60 (36 - 41)
1	600643001	600643001	None	1.60 - 2.00 (41 - 51)
2	2717243001	2738383001	Dual	1.00 - 1.40 (25 - 36)
2	2717253001	2738393001	Dual	1.40 - 1.60 (36 - 41)
2	2717263001	2738403001	Dual	1.60 - 2.00 (41 - 51)
3	2721763001	2738413001	Triple	1.00 - 1.40 (25 - 36)
3	2721773001	2738423001	Triple	1.40 - 1.60 (36 - 41)
3	2721783001	2738433001	Triple	1.60 - 2.00 (41 - 51)
4	2721793001	2738443001	Quad	1.00 - 1.40 (25 - 36)
4	2721803001	2738453001	Quad	1.40 - 1.60 (36 - 41)
4	2721813001	2738463001	Quad	1.60 - 2.00 (41 - 51)

Jumper clamps are not intended for tangent span applications.

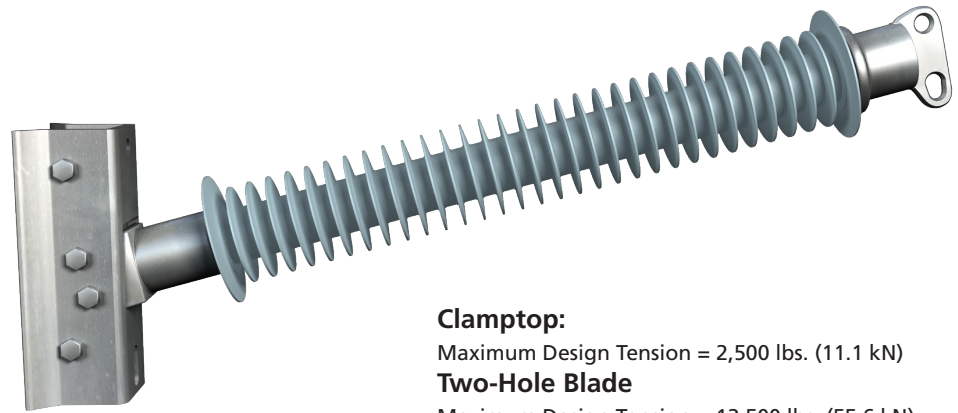


Horizontal Line Post Insulators

3.0" (76.2 mm) Rod Diameter

Hubbell Power Systems offers a transmission product line to meet the needs of today's power utility. The 3" Quadri*Sil® Line Post is an addition to the reliable product line that boasts a redundant four point sealing system. The Quadri*Sil® product line will ensure the utmost protection against weather and contaminants in an unpredictable environment.

- Proprietary silicone rubber compound
- Direct bond design
- Uniform circumferential crimp



QUADRI*SIL®

Selection Guide: Typical Line Voltage, kV						Catalog Numbers ANSI / IEC	Nominal Polymer Length inches	Section Length inches (mm)	Strike Distance inches (mm)	Leakage Distance inches (mm)	ANSI Values				IEC Values			SCL lbs. (kN)
69	115	138	161	230	345						60-Hz Dry Flashover (kV)	60-Hz Wet Flashover (kV)	Critical Impulse Positive (kV)	Critical Impulse Negative (kV)	60-Hz 1-minute Wet Withstand (kV)	Impulse Positive Withstand (kV)	Impulse Negative Withstand (kV)	
						P300025S0040	025	38.5 (978)	27.9 (708)	82 (2083)	275	245	425	520	200	400	485	7500 (33.4)
						P300026S0040	026	39.7 (1008)	29.2 (741)	88 (2235)	290	255	445	540	215	415	505	7500 (33.4)
						P300031S0040	031	44.4 (1128)	34.0 (863)	101 (2565)	335	300	520	615	255	490	575	7500 (33.4)
						P300036S0040	036	49.1 (1247)	38.9 (988)	116 (2946)	385	345	595	690	285	560	650	6670 (29.7)
						P300042S0040	042	55.0 (1397)	44.9 (1140)	134 (3404)	445	400	690	785	340	685	740	5810 (25.8)
						P300047S0040	047	59.7 (1516)	49.8 (1265)	149 (3785)	490	445	765	860	375	725	815	5261 (23.4)
						P300052S0040	052	64.4 (1636)	54.7 (1389)	164 (4166)	540	490	840	935	410	790	884	4820 (21.4)
						P300053S0040	053	65.6 (1666)	55.9 (1420)	168 (4267)	550	500	860	955	425	810	900	4720 (20.9)
						P300057S0040	057	69.1 (1755)	59.5 (1511)	179 (4547)	585	535	915	1010	450	865	955	4440 (19.8)
						P300058S0040	058	70.3 (1786)	60.7 (1542)	183 (4648)	600	545	935	1030	460	880	975	4350 (19.3)
						P300063S0040	063	75.0 (1905)	65.6 (1666)	198 (5029)	645	590	1010	1105	495	950	1045	4040 (17.9)
						P300064S0040	064	76.2 (1935)	66.8 (1697)	201 (5105)	660	600	1030	1125	510	970	1065	3970 (17.7)
						P300068S0040	068	79.7 (2024)	70.4 (1788)	212 (5385)	695	635	1085	1180	535	1025	1120	3770 (16.8)
						P300069S0040	069	80.9 (2055)	71.6 (1819)	216 (5486)	705	645	1105	1200	545	1045	1140	3710 (16.5)
						P300074S0040	074	85.6 (2174)	76.5 (1943)	231 (5867)	755	690	1180	1275	585	1115	1210	3480 (15.5)
						P300078S0040	078	90.3 (2294)	81.4 (2068)	246 (6248)	800	735	1255	1350	620	1185	1280	3280 (14.6)
						P300083S0040	083	95.0 (2413)	86.2 (2189)	261 (6629)	850	780	1330	1430	655	1255	1350	3100 (13.8)
						P300085S0040	085	96.2 (2443)	87.4 (2220)	265 (6731)	860	790	1350	1445	670	1275	1370	3050 (13.6)
						P300089S0040	089	100.9(2563)	92.3 (2344)	280 (7112)	910	835	1425	1520	705	1345	1440	2900 (12.9)
						P300094S0040	094	105.6(2682)	97.1 (2466)	294 (7468)	955	880	1500	1600	740	1420	1515	2760 (12.3)
						P300095S0040	095	106.8(2713)	98.4 (2499)	298 (7569)	970	890	1520	1615	755	1435	1530	2720 (12.1)
						P300099S0040	099	110.4(2804)	102.0 (2591)	309 (7849)	1005	925	1575	1675	780	1490	1585	2630 (11.7)
						P300100S0040	100	111.5(2832)	103.2 (2621)	313 (7950)	1015	935	1595	1690	790	1510	1605	2600 (11.6)
						P300105S0040	105	116.2(2951)	108.0 (2743)	328 (8331)	1065	980	1670	1770	825	1580	1675	2480 (11.0)

Notes:

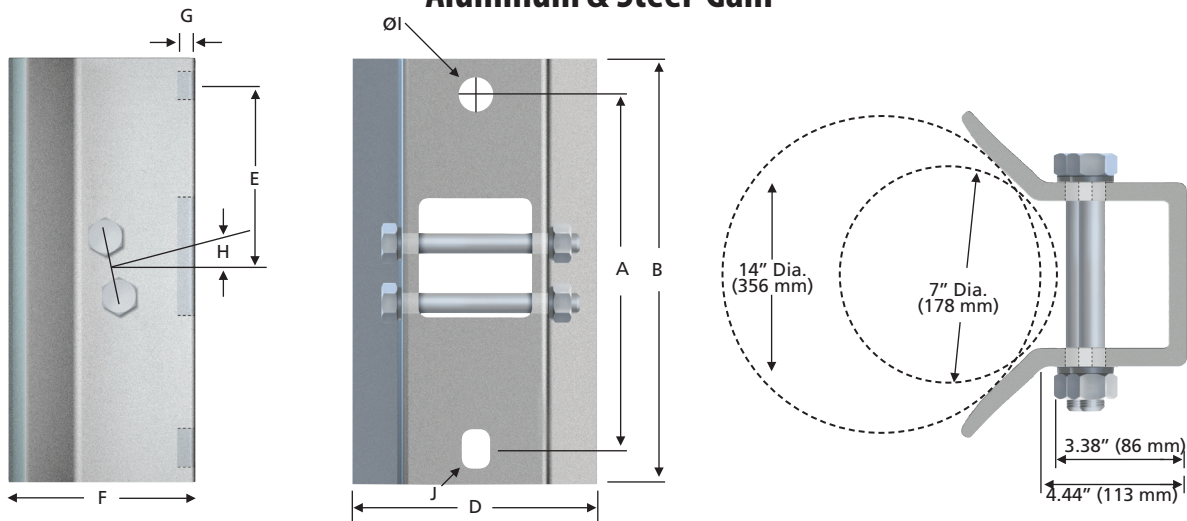
1. For voltages above 345 kV, other section lengths, or end fitting combinations, please contact your HPS representative.
2. Electrical values are without corona ring. For voltages equal to or greater than 220 kV, please contact your HPS representative.
3. The catalog number shown in the table is for a 3.0" (76.2mm) rod diameter line post with a two hole blade on the line end and an aluminum gain base on the tower end. For other end fitting combinations, please contact your HPS representative.



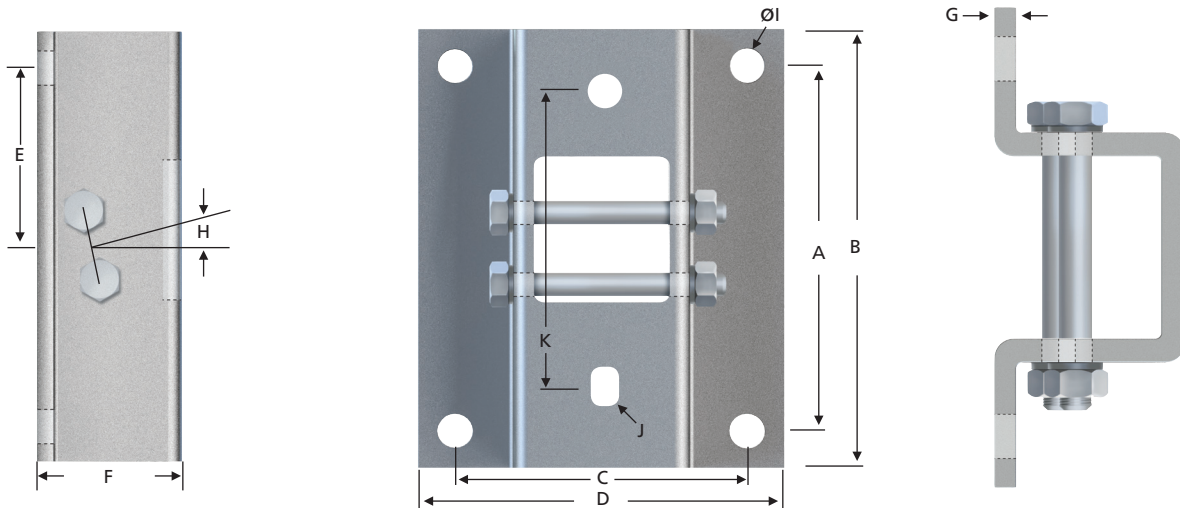
Base Fittings

3.0" (76.2 mm) Rod Diameter

Aluminum & Steel Gain



Aluminum & Steel Flat



Horizontal and Vertical Bases inches (mm)

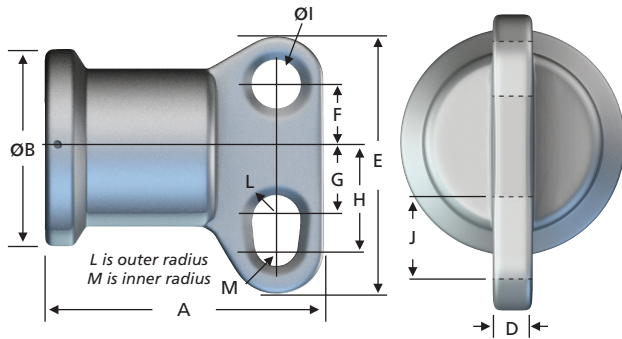
Type (Code)	A	B	C	D	E	F	G	H	I	J	K	Material
Aluminum Gain (02)	14.0 (356)	17.0 (432)	-	8.08 (205)	7.75 (197)	5.95 (151)	0.53 (13)	14°	1.06 (27)	1.06 X 2.56 (27 X 65)	-	6063 T5 AL
Aluminum Flat (03)	13.0 (330)	15.0 (381)	9.0 (229)	11.0 (279)	6.5 (165)	4.67 (119)	0.62 (16)	14°	0.92 (23)	-	-	6063 T5 AL
Steel Flat (04)	-	17.0 (432)	-	10.0 (254)	7.75 (197)	4.12 (105)	0.5 (13)	14°	-	1.06 X 2.56 (27 X 65)	14.0 (356)	Low Carbon Steel
5" Bolt Circle (05)	6.36 (162)	5.91 (150)	4.37 (111)	-	5.0 (127)	-	-	-	5/8-11 UFS	-	-	60-40-18 D.I.
Steel Gain (07)	14.0 (356)	17.0 (432)	-	9.65 (245)	7.75 (197)	7.03 (179)	0.5 (13)	14°	1.06 (27)	1.06 X 2.56 (27 X 65)	-	Low Carbon Steel
Steel Flat (08)	13.0 (330)	15.0 (381)	9.0 (229)	11.0 (279)	6.5 (165)	4.12 (105)	0.5 (13)	14°	0.92 (23)	-	-	LOW CARBON STEEL
Steel Flat (13)	10.0 (254)	12.0 (305)	8.0 (203)	10.0 (254)	5.0 (127)	4.12 (105)	0.5 (13)	14°	0.81 (21)	-	-	LOW CARBON STEEL
Aluminum Flat (14)	-	17.5 (445)	-	11.0 (279)	7.0 (178)	4.67 (119)	0.62 (16)	14°	-	1.06 X 2.00 (27 X 51)	14.0 (356)	6063 T5 AL



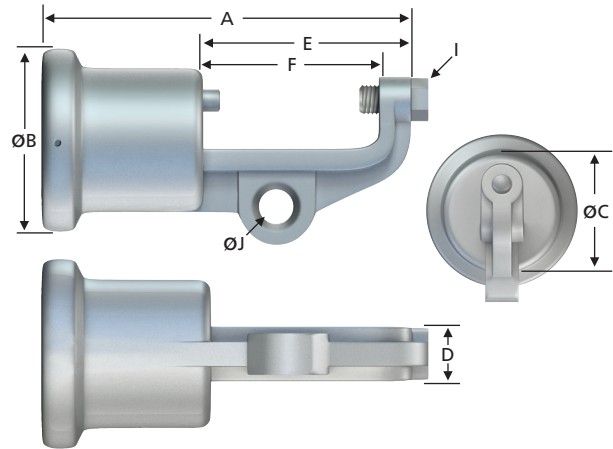
Line Fittings

3.0" (76.2 mm) Rod Diameter

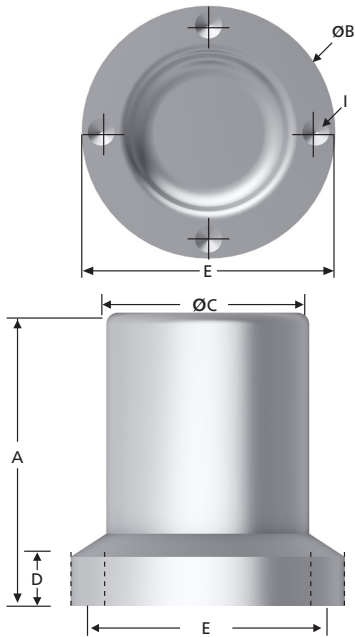
Two Hole Blade



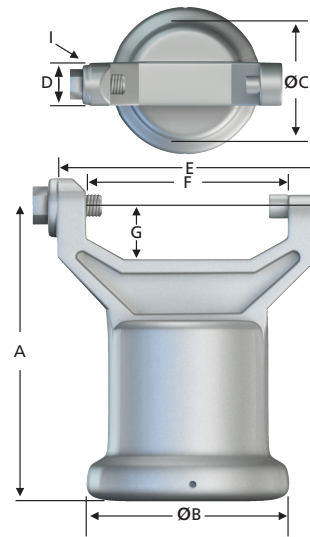
Horizontal Clamptop



5" Bolt Circle Line or Base Fitting



Vertical Clamptop Part per ANSI C29.7



Horizontal and Vertical End Fittings inches (mm)

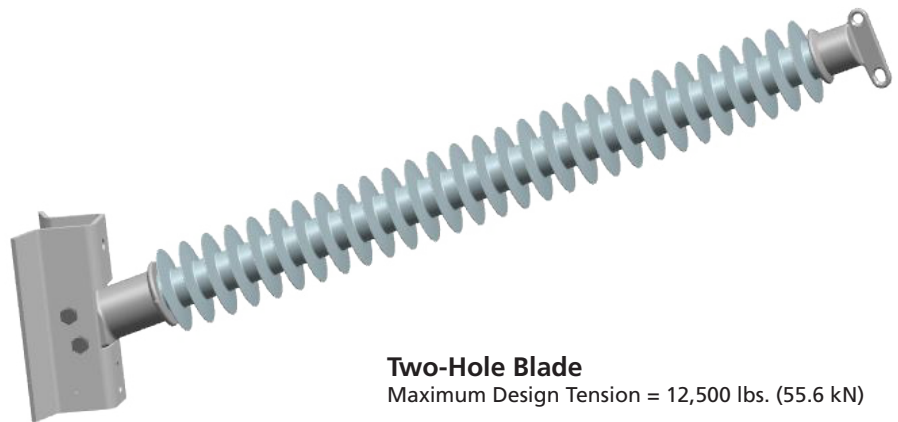
Type (Code)	A	B	C	D	E	F	G	H	I	J	L	M	Material
Teardrop Blade (0)	6.2 (157)	5.6 (142)	-	0.75 (19)	6.12 (155)	1.57 (40)	2.00 (51)	2.50 (64)	1.0 (25)	1.44 (37)	0.5R (12.7R)	0.44R (11R)	60-40-18 D.I.
H. Clamptop (1)	8.64 (219)	5.6 (142)	3.88 (99)	1.12 (28)	4.72 (120)	4.0 (102)	-	-	5/8-11 UFS	0.75 (19)	-	-	60-40-18 D.I.
V. Clamptop (2)	6.34 (161)	5.6 (142)	3.88 (99)	1.12 (28)	5.37 (136)	4.0 (102)	1.06 (27)	-	5/8-11 UFS	-	-	-	60-40-18 D.I.
5" Bolt Circle (3)	6.36 (162)	5.91 (150)	4.37 (111)	-	5.0 (127)	-	-	-	5/8-11 UFS	-	-	-	60-40-18 D.I.

Horizontal Line Post Insulators

3.5" (88.9 mm) Rod Diameter

Hubbell Power Systems offers a transmission product line to meet the needs of today's power utility. The 3.5" Quadri*Sil® Line Post is an addition to the reliable product line that boasts a redundant four point sealing system. The Quadri*Sil® product line will ensure the utmost protection against weather and contaminants in an unpredictable environment.

- Proprietary silicone rubber compound
- Direct bond design
- Uniform circumferential crimp



Two-Hole Blade

Maximum Design Tension = 12,500 lbs. (55.6 kN)

QUADRI*SiL®

						ANSI Values										
						60-Hz Dry Flashover (kV)	60-Hz Dry Flashover (kV)	Critical Impulse Flashover Positive (kV)	Critical Impulse Flashover Negative (kV)	SCL lbs. (kN)		Net Weight LBS(kg)				
115	138	161	230	345	400											
						P35005750070	57	71.5 (1816)	58.5 (1486)	151.2 (3840)	575	525	900	995	5910 (26.3)	176.3 (80.1)
						P35006150070	61	76.1 (1933)	63.2 (1605)	163.8 (4161)	620	565	970	1070	5420 (24.1)	181.8 (82.5)
						P35006650070	66	80.7 (2050)	68.0 (1727)	176.4 (4481)	670	610	1045	1145	5000 (22.3)	187.2 (85.0)
						P35007150070	71	85.3 (2167)	72.8 (1849)	189.0 (4801)	715	655	1120	1220	4250 (18.9)	192.7 (87.5)
						P35008550070	85	99.1 (2517)	87.0 (2210)	226.8 (5761)	855	785	1340	1440	3830 (17.0)	209.0 (94.9)
						P35009050070	90	103.7 (2634)	91.8 (2332)	239.4 (6081)	905	830	1415	1515	3260 (14.5)	214.4 (97.3)
						P35009950070	99	112.8 (2865)	101.3 (2573)	264.6 (6721)	995	915	1565	1660	2720 (12.1)	225.3 (102.3)
						P35010950070	109	122.0 (3099)	110.8 (2814)	289.8 (7361)	1090	1005	1710	1810	2410 (10.7)	236.2 (107.2)
						P35011850070	118	131.2 (3332)	120.3 (3056)	315.0 (8001)	1135	1090	1860	1960	2250 (10.0)	247.1 (112.2)
						P35012350070	123	135.8 (3449)	125.1 (3178)	327.6 (8321)	1180	1135	1930	2035	2100 (9.3)	252.5 (114.6)
						P35012850070	128	140.4 (3566)	129.8 (3297)	340.3 (8644)	1220	1180	2005	2105	2030 (9.0)	258.0 (117.1)

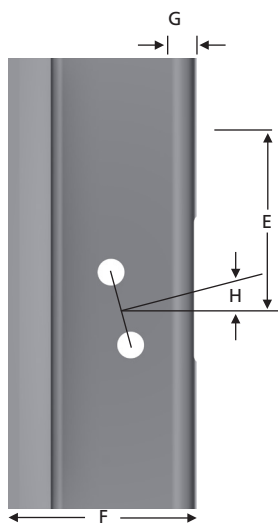
Notes:

1. Electrical values are without corona ring. For voltages greater than 220kV corona rings may be required. Contact your HPS representative. Dimensions are within allowable tolerances as specified by IEC 61952 and ANSI C29.17.
2. The catalog number shown in this table is for a 3.5" rod diameter line post with a two hole blade on the line end and a steel gain base on the tower end. Other end fitting combinations are available, please contact your HPS representative.

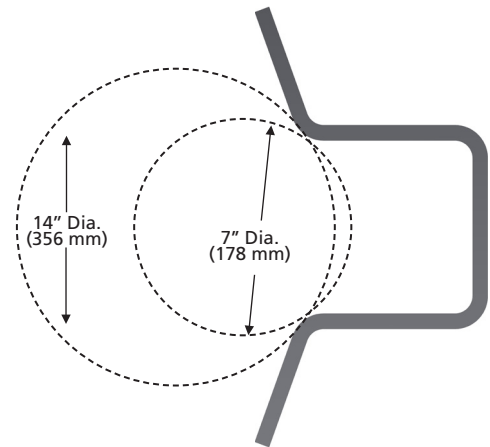
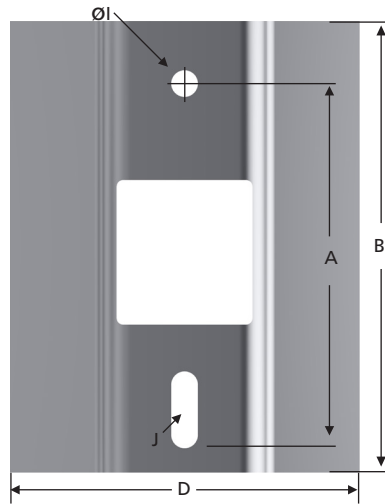


Base Fittings

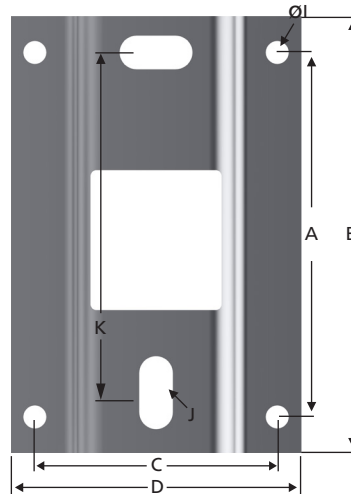
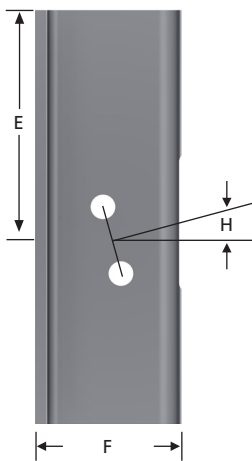
3.5" (88.9 mm) Rod Diameter



Steel Gain



Steel Flat

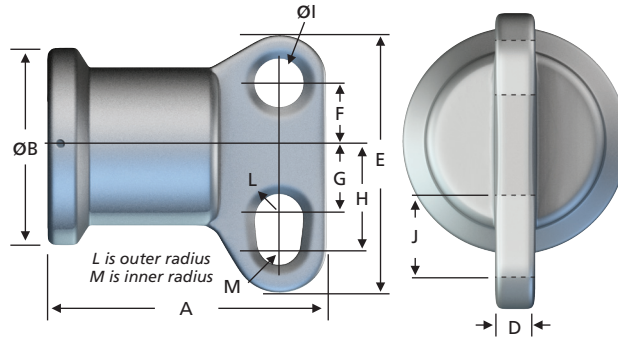


Horizontal and Vertical Bases inches (mm)

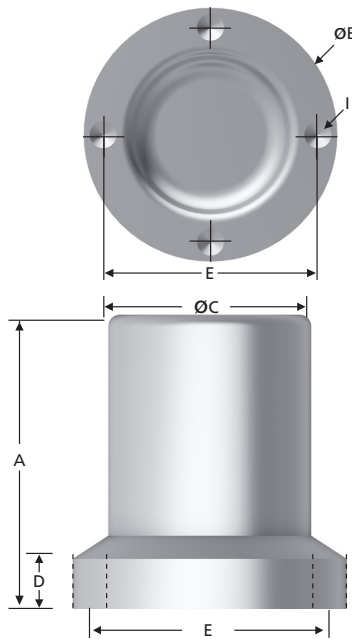
Type (Code)	A	B	C	D	E	F	G	H	I	J	K	Material
Steel Gain (07)	14 (356)	18 (457)		14 (356)	8 (203)	7.5 (190)	0.5 (13)	15 (381)	1.06 (27)	1.06x3.06 (27x78)		Low Carbon Steel
Steel Flat (03)	15 (381)	18 (457)	10 (254)	12 (305)	8 (203)	6.4 (163)	0.5 (13)	15 (381)	1.38x3 (35x76)	1.38x3 (35x76)	14 (356)	Low Carbon Steel

Line Fittings
3.5" (88.9 mm) Rod Diameter

Two Hole Blade



5" Bolt Circle
Line or Base Fitting



QUADRI*SIL®

Horizontal and Vertical End Fittings inches (mm)

Type (Code)	A	B	C	D	E	F	G	H	I	J	L	M	Material
Teardrop Blade (0)	6.2 (157)	5.6 (142)		0.75 (19)	8.17 (207)	2.21 (56)	3.52 (89)	3.96 (100)	1 (25)	1.38 (35)	0.5 (13)	0.44 (11)	60-40-18 DI
5" Bolt Circle (3)	8.29 (210)	6.25 (158)	5.6 (142)	1.5 (305)	5 (127)	6.4 (162)			5/8-11 UFS				60-40-18 DI



About Hubbell Power Systems

Hubbell Power Systems (HPS) manufactures a wide variety of transmission, distribution, substation, OEM and telecommunications products used by utilities. HPS products are also used in the civil construction, transportation, gas and water industries. Our product line includes construction and switching products, tools, insulators, arresters, pole line hardware, cable accessories, test equipment, transformer bushings and polymer precast enclosures and equipment pads.

Because Hubbell has a policy of continuous product improvement. We reserve the right to change design and specifications without notice.

©Copyright 2019 Hubbell Incorporated
Printed in U.S.A. | Rev. 01/2019

Catalog CA_08_051_E

www.hubbellpowersystems.com

