



Harsh & Hazardous

KILLARK®

VM2L & VM4L Series

Standard & Emergency Lighting Fixtures

for Harsh and Hazardous Environments





VM2&4LB, VM2&4LC SERIES

KILLARK

HIGH WATTAGE – INTRODUCTION



VM2LB with Globe/
Guard



VM4LB with Globe/
Guard



VM4LC with Flat Lens



Class I, Div. 2, Groups A,B,C,D
Class I, Zone 2, Groups IIC, IIB, IIA
Class II, Div. 1 & 2, Groups E,F,G
Class III

Suitable for wet locations
Type 3, 4X
IP66

Marine Rated (US only)

CSA Certified - File LR11713

IECEX Rated Models (VM4L with IEx
suffix)

Ex nA IIC T4, Gc / Ex tb IIC T83°C Db
Tamp -40°C ≤Ta≤+65°C, IP66

IECEX Certificate
QPS 15.0006

INMETRO Certificate
IEx 16.0137

ATEX Certificate
CML 15ATEX4101X(nA)
&
CML 15ATEX3102X(tb)

Contact Factory for other certification details



Consult website
for current list of
approved luminaires

- Ambient suitability -40°C to 65°C (see tables). -20°C to 50°C Ambient suitability for Emergency models.
- Warm LED color option available with 3070
- Instant On – Including after power interruption
- World Voltage 120 – 277VAC 50/60Hz
- Solder-LESS LED Board Connections – Vibration Resistant
- Dual Driver Option (DDR) – For additional energy savings, half of the fixture can be turned off.
- Two LED internal heat sink styles
 - » Bulb VM2LB/VM4LB
 - » Concave VM2LC/VM4LC

CERTiTE V LED

FEATURES-SPECIFICATIONS

Compliances

- UL-8750 for LED lighting
- UL-844 Standard for lighting fixtures for hazardous locations, Class I, Division 2; Class II, Divisions 1 and 2; Class III
- CSA C22.2 no. 137-M1981 electric luminaires for use in hazardous locations
- Enclosed and gasketed
- Type 3, 4X
- IP66 & Marine
- Self-testing per NFPA 101® Life Safety Code

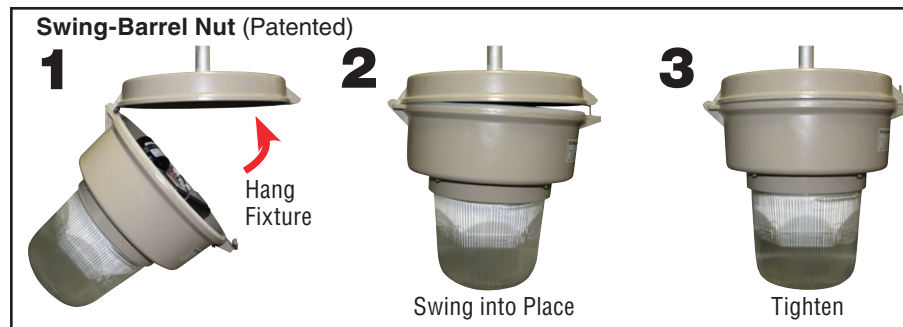
Materials

- Housing, splice box and cast guards corrosion resistant copper-free aluminum alloy
- Baked powder epoxy/polyester finish, electrostatically applied for complete, uniform corrosion protection
- All external hardware – stainless steel
- Reflectors – Polyester reinforced fiber glass or aluminum

LED Luminaire Features and Standards

Supplemental **20KA/10KV Surge Protection** is **standard** (for 120-277 VAC models)
10KA/10KV Surge Protection (for 347-480 VAC)

- Traditional Industrial Appearance, Suitability, and Photometric Performance
- Wide variety of optics including globes, globes with reflectors, all-glass refractors, spin-top refractors and flat lens
- Swing-Barrel Nut patented tank mounting system
- Optional Mounting arrangements including Pendant, Wall, Ceiling, Stanchion and others
- VM4L LED Housings can be retrofitted to existing VM splice boxes; upgrade from HID sources
- **VM2Lx housing is 1.56" shallower for low ceilings**
- Chromaticity outputs:
Standard – 5000K 70 CRI
3070 option – 3000K 70 CRI
- TURTLE option provides Amber LEDs that have no blue wavelength light (Not available with 14 & 18 lumen outputs)
- AMBER option provides phosphor converted LEDs. (Not available with 14 & 18 lumen outputs).
- LED Array Life – 100,000+ hours with 70% initial lumens
- Long Fixture Life – 50,000 - 55,000 maintenance free hours



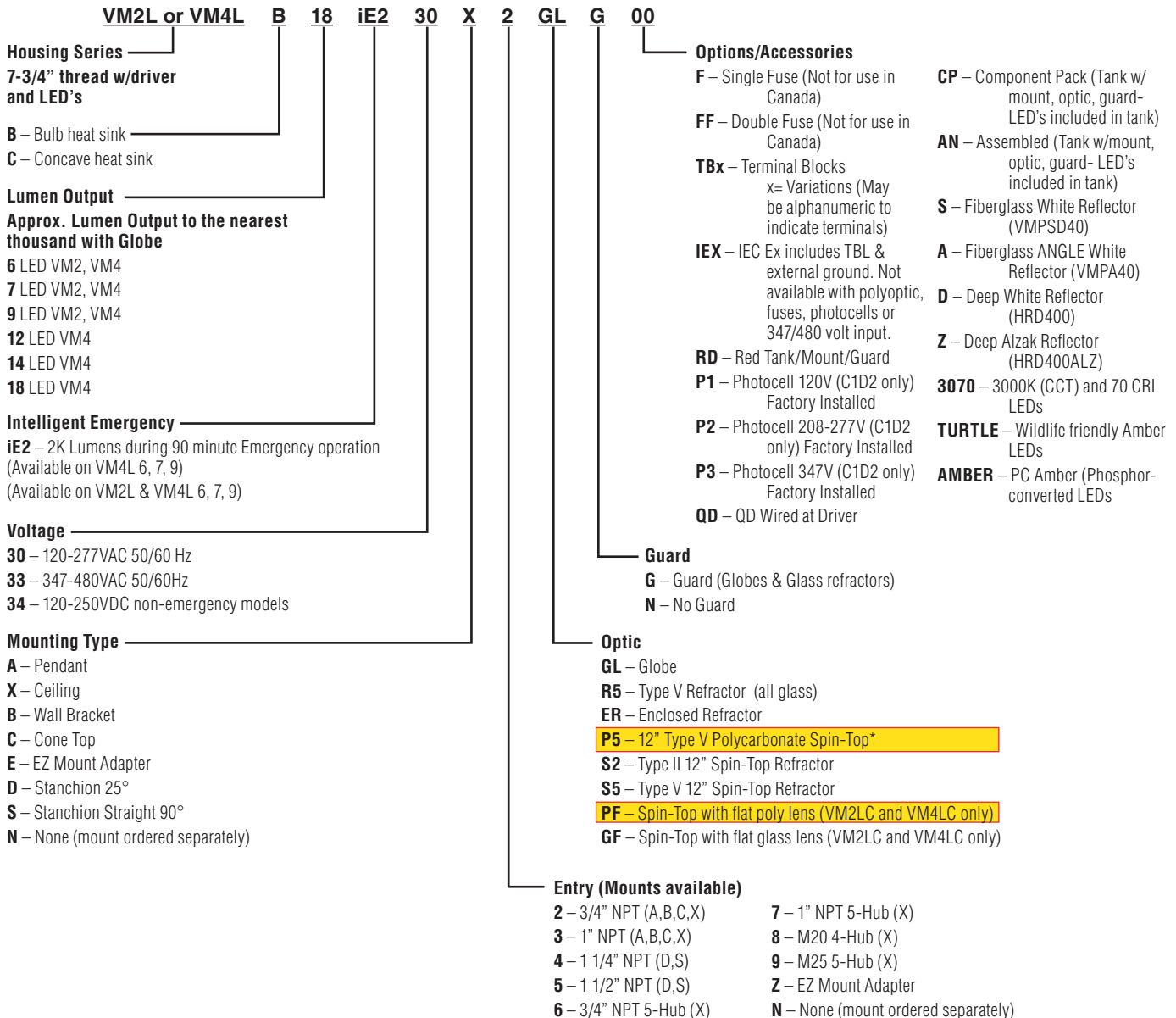


HIGH WATTAGE – CATALOG LOGIC

CERTILITE[®]V LED

CertiLite[®]V LED Catalog Number Logic

Killark high efficiency LED Luminaries require NO external heat sink which adds weight and collects dust and other contaminants



*Non-glass Group G Food Processing Suitability



VM2&4LB, VM2&4LC SERIES

KILLARK

HIGH WATTAGE – OPTICS AND ACCESSORIES

DELIVERED LUMENS								
CATALOG NUMBER	VMG25	VMR255	VMER40	VZRP175B	VZRG4020	VZRG4050	VZRPF12	VZRGF12
	GL	R5	ER	P5	S2	S5	PF	GF
VM4LB6(XX)(YY)N	6278	5915	4575	4692	4771	4879		
VM4LC6(XX)(YY)N	6223	5127	4645	4880	4989	4914	5570	5644
VM4LB7(XX)(YY)N	7437	6996	5589	5846	5968	5973		
VM4LC7(XX)(YY)N	7344	6026	5491	5757	5892	5830	6563	6679
VM4LB9(XX)(YY)N	9692	9084	7465	7928	8090	8078		
VM4LC9(XX)(YY)N	9453	7746	6973	7420	7671	7482	8492	8647
VM4LB12(XX)(YY)N	12750	12020	9804	10410	10550	9168		
VM4LC12(XX)(YY)N	12300	10380	9470	9969	10190	10030	11370	11570
VM4LB14(XX)(YY)N	14760	13810	11240	11890	12110	12010		
VM4LC14(XX)(YY)N	14120	11980	10910	11460	11810	11520	13080	13300
VM4LB18(XX)(YY)N	17710	16700	14080	14910	15050	15140		
VM4LC18(XX)(YY)N	17820	14530	13380	13970	14390	14190	15940	16270

(XX) = VOLTAGE
(YY) = MOUNT



VMG25



VMR255



VMER40



VZRP175B



VZRG4020



VZRG4050



VZRPF/VZRGF

TYPICAL WEIGHTS (LBS./KG) W/STANDARD GLOBE AND GUARD - VM4LB/C SERIES			
Pendant 33.4/15.2	Ceiling 33.0/15.0	Wall 37.9/17.2	Stanchion 34.3/15.6

ORDERING INFORMATION AND AMBIENT SUITABILITY					C1D2			C2D1		
CATALOG NO.②	TYPICAL TANK ONLY WEIGHT LBS./KG	WATTS	VOLTAGE	AMPS①	40°C	55°C	65°C	40°C	55°C	65°C
VM4L(Y)630	18.90 / 8.57	40	120-277 VAC	0.35-0.16	T4A	T4A	T4	EFG		
VM4L(Y)633		40	347-480VAC	0.12-0.09						
VM4L(Y)634		40	120-250VDC	0.33-0.16						
VM4L(Y)730		50	120-277 VAC	0.43-0.21	T4A	T4A	T4	EFG		
VM4L(Y)733		50	347-480VAC	0.15-0.12						
VM4L(Y)734		50	120-250VDC	0.42-0.20						
VM4L(Y)930		65	120-277 VAC	0.56-0.24	T4A	T4A	T4	EFG		
VM4L(Y)933		65	347-480VAC	0.19-0.14						
VM4L(Y)934		65	120-250VDC	0.54-0.26						
VM4L(Y)1230		90	120-277 VAC	0.77-0.33	T4A	T4	-	EFG	-	
VM4L(Y)1233		90	347-480VAC	0.27-0.19						
VM4L(Y)1234		90	120-250VDC	0.75-0.36						
VM4L(Y)1430		105	120-277 VAC	0.89-0.39	T4A	T4	-	EFG	-	
VM4L(Y)1433		105	347-480VAC	0.31-0.23						
VM4L(Y)14834		105	120-250VDC	0.88-0.42						
VM4L(Y)1830		130	120-277 VAC	1.10-0.46	T4A	T4	-	EFG	-	
VM4L(Y)1833		130	347-480 VAC	0.38-0.27						

ORDERING INFORMATION AND AMBIENT SUITABILITY					C1D2			C2D1		
CATALOG NO.②	TYPICAL TANK ONLY WEIGHT LBS./KG	WATTS	VOLTAGE	AMPS①	40°C	55°C	65°C	40°C	55°C	65°C
VM2L(Y)630	17.65 / 8.00	40	120-277 VAC	0.35-0.16	T4A	T4A	T4	EFG		
VM2L(Y)633		40	347-480VAC	0.12-0.09						
VM2L(Y)634		40	120-250VDC	0.33-0.16						
VM2L(Y)730		50	120-277 VAC	0.43-0.21	T4A	T4A	T4	EFG		
VM2L(Y)733		50	347-480VAC	0.15-0.12						
VM2L(Y)734		50	120-250VDC	0.42-0.20						
VM2L(Y)930		65	120-277 VAC	0.56-0.24	T4A	T4A	T4	EFG		
VM2L(Y)933		65	347-480VAC	0.19-0.14						
VM2L(Y)934		65	120-250VDC	0.54-0.26						

① For a given wattage current values are the same, regardless of tank type VM2LB/C or VM4LB/C.

② Replace (Y) with heat sink style B or C.



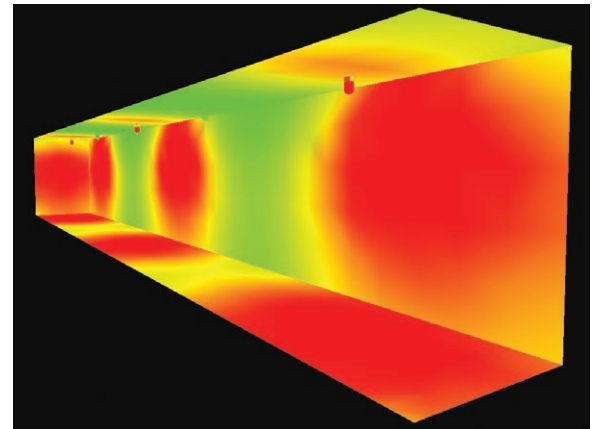
HIGH WATTAGE SELF-TESTING EMERGENCY

Electronics Includes:

- Self-diagnostics monitors LED status, LED driver circuit, battery capacity and charger function and displays any fault detection by means of a flashing code
- Self-Test feature automatically runs a 1 minute test once a month and an alternating 30-60 minute test once every 6 months. LED indicator provides visible fault detection and charging status
- User initiated 1, or 90-minute system test feature
- 15 minute re-transfer delay
- Automatic unit transfer in brown-out conditions (below 80% of nominal AC input voltage)

TEST SWITCH INDICATOR STATUS	
LED INDICATORS STATUS	EM DRIVER STATUS/MODE
Solid Green	System OK/AC OK (Self-diagnostic Enabled or Disabled).
Slow Flashing Red, 4s on/1s off	Battery not detected, check battery switch or connection.
Flashing Red, 1s on/1s off	Battery Failure, replace battery.
Flashing Green, 1s on/1s off	Self Diagnostic test underway.
Fast Flashing Red, 0.1s on/0.1s off	Abnormal driver performance, replace driver.
Very Slow Flashing Red, 4s on/4s off	Over temperature.
None. Both LEDs OFF	Normal working in EM mode.
Green/Red alternative flashing, 1s green/1s red	No load or output over voltage protection triggered.

LED Emergency Lighting Design



HIGH WATTAGE – COMPONENTS



CERTILITE® VM MOUNTING SPLICE BOXES							
HUB SIZE	CATALOG NUMBER						
	PENDANT	CEILING 4 HUB	CEILING 5 HUB	WALL	CONE TOP	25 DEGREE STANCHION	STRAIGHT STANCHION
3/4"	VMA2B	VMX2B	VMX6B	VMB2B	VMC2B	—	—
1"	VMA3B	VMX3B	VMX7B	VMB3B	VMC3B	—	—
1-1/4"	—	—	—	—	—	VMD4B	VMS4B
1-1/2"	—	—	—	—	—	VMD5B	VMS5B
M-20	—	VMX8B	VMX9B	VMB8B	—	—	—
M-25	—	—	—	VMB10B	—	—	—



VM2&4LB, VM2&4LC SERIES

KILLARK

HIGH WATTAGE – COMPONENTS & RATINGS



“EZ” Mount Adapter
For easy fixture relocation
or to repair fixture on
'bench top'.



VMEZA adapter is used
between a driver tank and
EZ mount ordered
separately.



Pendant



Ceiling



Wall Bracket



25° Stanchion

MOUNTING BOXES				
CATALOG NUMBER				HUB SIZE
PENDANT	CEILING	BRACKET	STANCHION	
EZA2	EZX2	EZB3	—	3/4"
EZA3	EZX3	EZB3	—	1"
—	—	—	EZD4A	1-1/4" / 1/2"*

*1-1/2" furnished with 1-1/2"-1-1/4" reducer and extension.

Competitive Adapters

Designed to ease upgrading of other manufacturer's fixtures to KILLARK LEDs where removal of existing mounting screws and conduit would be difficult and time consuming.

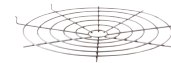
VM2L/VM4L LED OPTICS AND ACCESSORIES		
DESCRIPTION	OPTIC LOGIC	GUARD
Flat Lens (glass spin top) "C" tank only	VZRGF12 (GF)	VZRF12GRD
Flat Lens (polycarbonate spin top) "C" tank only	VZRPF12 (PF)	VZRF12GRD
Globe (glass)	VMG25 (GL)	VMAG25S
Reflector (all glass) Type V	VMR255 (R5)	VMAG25S
Enclosed Reflector	VMER40 (ER)	VMERG
Reflector (polycarbonate spin top) 12" Type V	VZRP175B (P5)	VMRWGS
Reflector (glass spin top) 12" Type V	VZRG4050 (S5)	VMRWGS



VMAG25S



VMRWGS



VMERG



VMAGBC



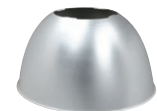
VMPSD40
Standard Dome, Fiberglass
White Reflector, Dia: 16"



VMPA40
30° Angle, Fiberglass
White Reflector, Dia:16"



HRD400
Deep Aluminum, White
Reflector, Dia: 21"



HRD400ALZ
Deep Aluminum, Anodized
Reflector, Dia: 21"

VM2L/VM4L LED REFLECTORS AND ACCESSORIES	
DOME REFLECTOR (Polyester reinforced fiberglass)	VMPSD40
ANGLE REFLECTOR (Polyester reinforced fiberglass)	VMPA40
DEEP DOME REFLECTOR (White Painted Aluminum)	HRD400
DEEP DOME REFLECTOR (Anodized Aluminum)	HRD400ALZ
120VAC Photocell with FS Style Cover	VMFSPC1
208-277VAC Photocell with FS Style Cover	VMFSPC2
Bottom Closure for VMAG25S	VMAGBC
4-sided EXIT Accessory (use without guard)	VEXA400



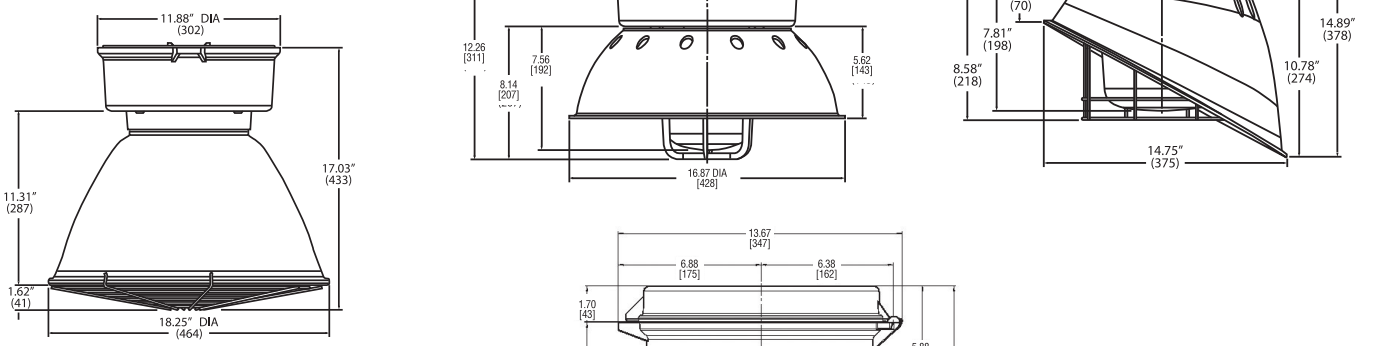
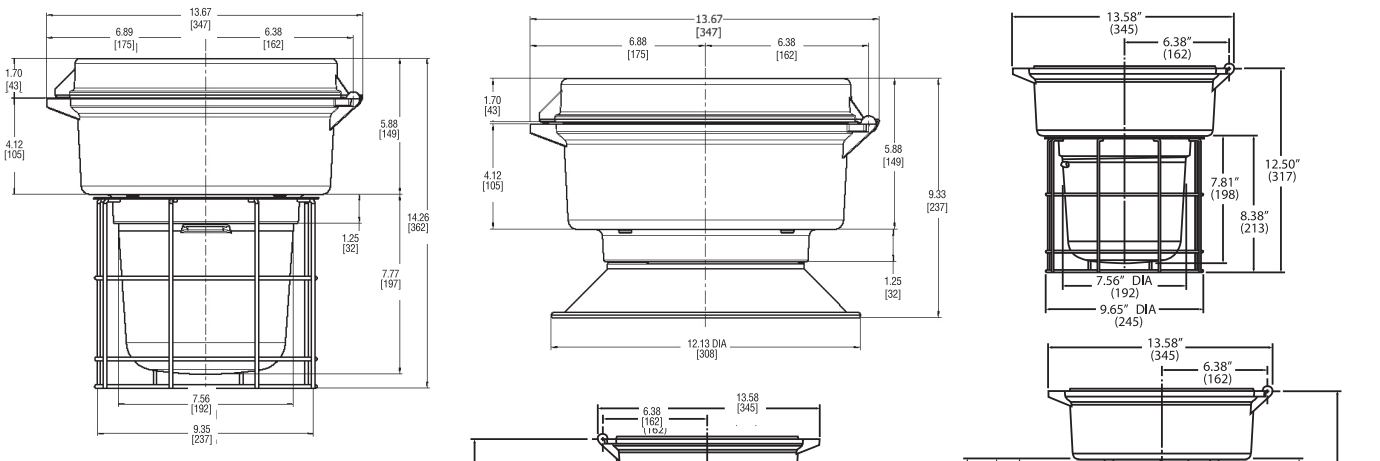
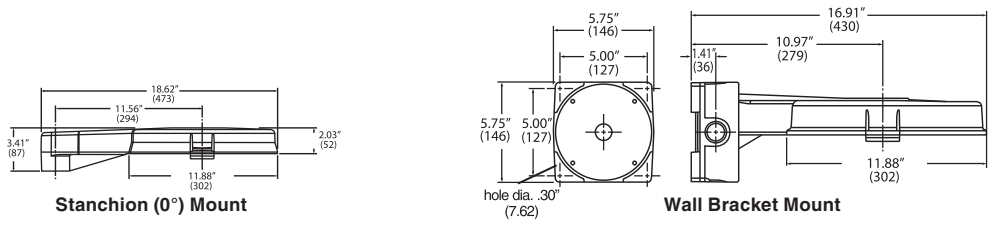
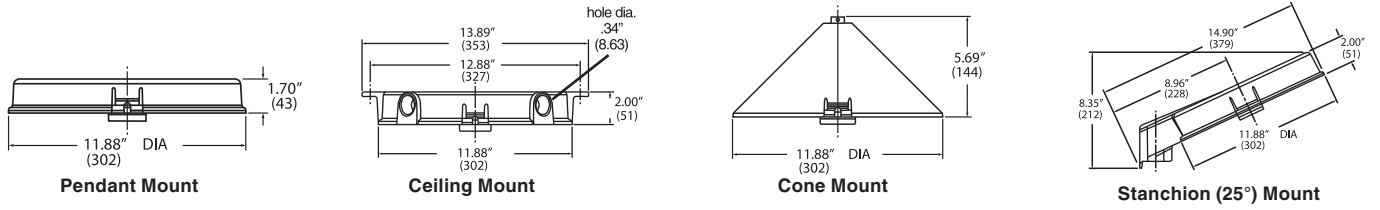
VEXA400
Fixture not included



VMFSPC



HIGH WATTAGE – DIMENSIONS & WEIGHTS



For Height of VM2L models, deduct 1.56" (40mm) from VM4L tank, or overall dimensions with some mount and optic. All other dimensions are the same.

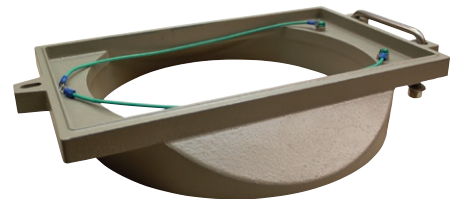
Fixture Adapters



VMCHVM-DEEP



VMCHVM



VMGEH2

CERTIFIED V LED

FEATURES-SPECIFICATIONS

Applications

The Killark VM adapters are designed to ease upgrading of other manufacturer's fixtures to KILLARK LEDs where removal of existing mounting screws and conduit would be difficult and time consuming.

Adapters are used with the Killark Fixture Housing, Globe, guard (if applicable) and the competitive fixture splicebox. The Killark fixtures when used with the Killark adapters and appropriate competitive adapter.

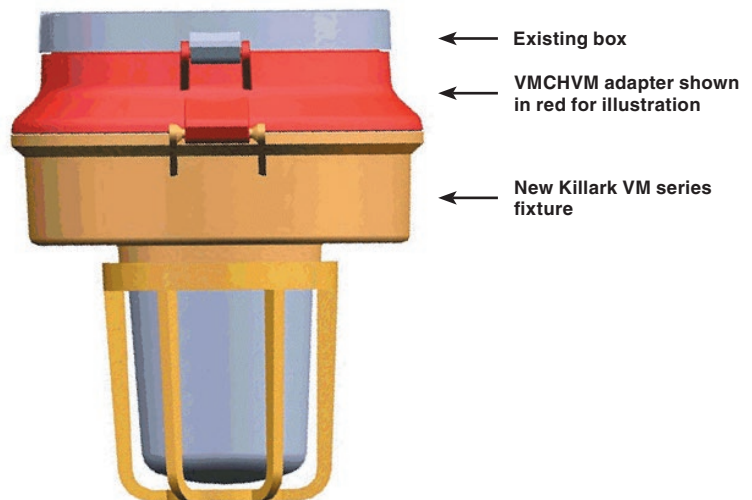
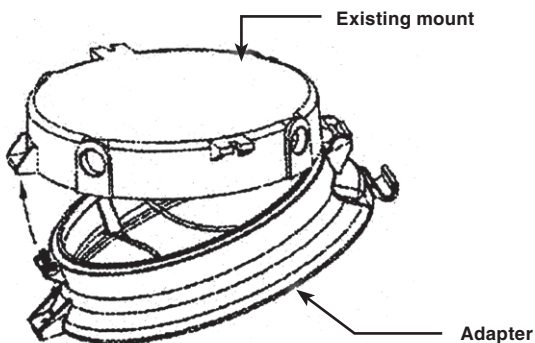
Features

- Fixture and competitive mount are certified together
- Baked powder epoxy/polyester finish, electrostatically applied to match the Killark VM tank
- All external hardware – Stainless Steel

Class I, Div. 2, Groups A, B, C, D
Class II, Div. 1, Groups E, F, G
Class III
Type 4X



VM SERIES COMPETATIVE ADAPTERS		
CATALOG NUMBER	DESCRIPTION	EXAMPLE OF MODEL UTILIZED OR REPLACED
VMCHVM	Tank adapter to Crouse-Hinds® VM Series mounts	VMV S2 C 050 R5
VMCHVM-DEEP	Tank adapter to CH (70's era wall mount with deep box)	VMV S2 TW 050 R5
VMM2LP	Tank adapter to Appleton® MERCMaster II mounts	LPCL 50 75 J
VMM3KP	Tank adapter to Appleton® MERCMaster III mounts	KPCL 50 75 J5 MT
VMHLDS	Tank adapter to Hazlux®3 mounts	DS015 H040-TGL-P2 E1 F
VMHPP2	Tank adapter mount to Holophane® Petrolux™	PETL 250HP 27 S25 CD
VMGEH2	Tank adapter H2 mount to GE® H2 Filtr-gard™	H2 4 05L 3C GG



HKSB-VM2L-VM4L 03-19 © Killark, 2019

KILLARK®

Hubbell Killark
2112 Fenton Logistics Park Blvd. • Fenton, MO 63026
Phone: (314) 531-0460 • Fax: (314) 531-7164
www.hubbell-killark.com



Harsh & Hazardous