

### Features & Benefits

- Provides utility power to your attached equipment when switched to maintenance bypass mode
- Allows UPS maintenance or replacement of the UPS without discontinuing power to critical equipment
- Easily installed — the UPS and utility power are both connected to the MicroPOD with the supplied cords
- Rotary switch and LED indicators make the unit simple to operate
- Applicable for UPS ratings from 700 VA - 3000 VA
- Compact size in only 2U Height
- Suitable for rack and tower mounting
- Pluggable, easy and intuitive operation with a complete bundle
- Use as Power Output Distribution (POD) - Multiple IEC60320 sockets (up to 8 IEC60320 C13)

*Liebert® MicroPOD provides bypass capability as well as Power Output Distribution (POD) for UPS up to 3 kVA single phase.*

### Description

When your computer system can't be without power - even for maintenance - a Liebert MicroPOD ensures continuous uptime. The MicroPOD provides maintenance bypass capability as well as power output distribution, and can be used with virtually any micro-UPS system.

The MicroPOD allows you to manually transfer your connected equipment to utility power via a maintenance bypass switch, permitting scheduled maintenance or UPS replacement without power disruption. Transferring back to UPS power is just as easy - just turn the switch to the indicated position and your load is protected by the UPS.

Available in plug and play or hard wired options at 208 V rating. Includes brackets for rack mounting in any direction.



MP2-210K



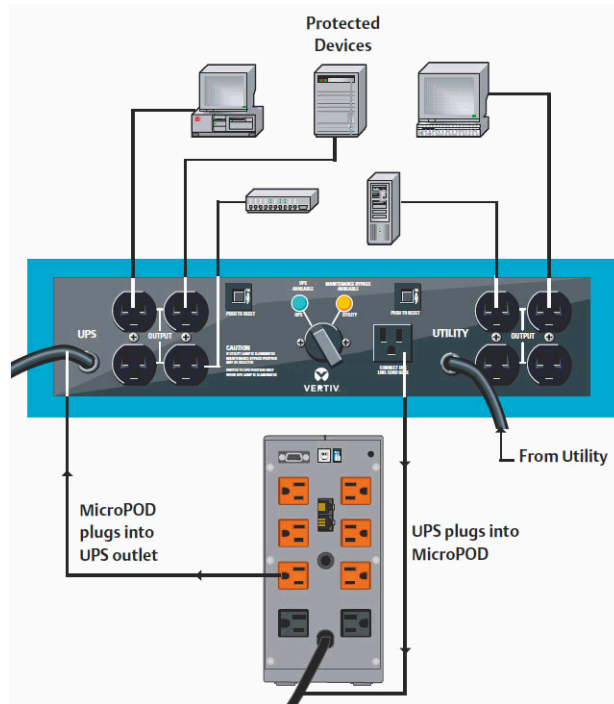
MP2-220K



PD5-20AC20

## Configuration

The MicroPOD plugs into the utility and UPS, and the UPS is plugged into the MicroPOD. All protected devices are connected to the MicroPOD, allowing maintenance bypass for the UPS.



## Technical Specifications

Model No.	MP2-210K	MP2-220K	PD5-20AC20
<b>Electrical</b>			
AC Input	EN60320/C14		EN60320/C20
Connection to UPS Input	EN60320/C13		EN60320/C19
Connection to UPS Output	EN60320/C14		EN60320/C20
Output Receptacles/Protection	(4) EN60320/C13 with 10 A breaker (4) EN60320/C13 with 10 A breaker		(2) EN60320/C13 with 10 A breaker (2) EN60320/C13 with 10 A breaker (2) EN60320/C13 with 10 A breaker (1) EN60230/C19 with 20 A breaker
Transfer Time (to and from maintenance bypass)	< 6 ms		
<b>Mechanical</b>			
Dimensions, W x D x H (in mm)	394 x 77 x 88		
Weight (kg)	2.0		
Operating Ambient Temperature	0 °C to 40 °C		
Storage Ambient Temperature	-20 °C to +60 °C		
Humidity	0 to 95%, non-condensing		
Agency/Standards	CE, ISTA Procedure 1A		