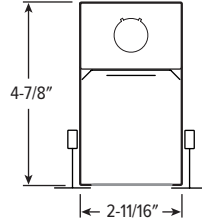
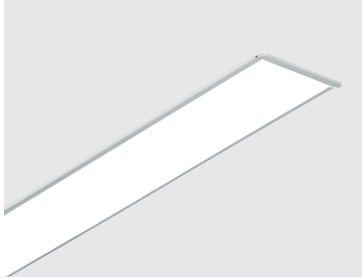


LRX2 LED 2" Wide Linear Recessed



CATALOG #: _____

Type: _____

PROJECT: _____



FEATURES

- Sleek design incorporates clean lines, slim styling, and diffused matte acrylic lens
- Attractive source of direct lighting for use in offices, hallways, conference rooms or common areas
- Lift and shift lens allows easy access to internal components
- For use as stand-alone fixture or in continuous rows
- Grid or hardpan ceilings
- High-performance, seamless illumination
- Wireless in-fixture control solutions available
- Made Right Here® in the USA

SPECIFICATIONS

- HOUSING** – 22-gauge die-formed, C.R.S.
- SHIELDING** – Lift-and-shift flat diffuse matte acrylic, .080" thick.
- FINISH** – 92% minimum average reflective white polyester powder coat bonded to phosphate-free, multi-stage pretreated metal. All parts painted after fabrication to facilitate installation, increase efficiency, and inhibit corrosion.
- ELECTRICAL** – High-quality mid-power LED boards. L70 >50,000 hours.
- MOUNTING** – NEMA Type "G" 15/16" or 1" grid standard. 9/16" narrow-face grid and drywall flange types available.
- LISTINGS** –
 - cCSAus certified as luminaire suitable for dry or damp locations.
 - City of Chicago Environmental Air approved when specified with CP option.
 - IC-rated for direct contact with insulation.
 - Complies with the Buy American Act and other federal regulations. Request certification at hew.com/baa.
- WARRANTY** – 5-year limited warranty, see hew.com/warranty.

ORDERING EXAMPLE: LRX2G - 4 - L10/835 - DMA - OPTIONS - CONTROL/DIM - UNV

ORDERING INFO

SERIES	FIXTURE STYLE	LENGTH	LUMENS ⁽¹⁾	CRI	CCT
LRX2	G 15/16" or 1" grid ⁽²⁾	Stand-alone – 2', 4', 6' & 8' nominal lengths, fixture ships assembled. Example: 4 = 4'	L4 400lm	8 80	27 2700K
	N 9/16" Narrow grid ⁽³⁾		L8 800lm	9 90 ⁽⁴⁾	30 3000K
	F Flange		L10 1,000lm		35 3500K 40 4000K 50 5000K

Row-mount – Lengths specified in 2' increments. Example: 12 = 12'

PRODUCT BUILDER
Simplify ordering & layout design with the Williams Linear Product Builder at hew.com/product-builder

SHIELDING

DMA Diffuse matte acrylic lens, .080" thick

OPTIONS

- EM/10W** 10-watt emergency battery ⁽⁵⁾
- EM/10WRM (L__)** Remote mount 10-watt emergency battery
- CP** Additional lower lumen packages available Example: 700 lumens = LRX2G-4-L8/835-(L7) ⁽⁶⁾
- CP** Chicago plenum (CCEA) ⁽⁷⁾

CONTROL ⁽⁸⁾

See page 5 for **ADDITIONAL CONTROL OPTIONS**.

- None
- AVI-LVFA** Avi-on wireless fixture control ⁽⁹⁾
- AVI-LVFA-CS2-PIR** Avi-on wireless fixture control with PIR motion and daylight sensor ⁽¹⁰⁾
- AWN** Lutron Athena wireless node integral fixture control, RF only ⁽¹¹⁾
- AWNS** Lutron Athena wireless node integral fixture control, RF with daylight and occupancy sensing ⁽¹²⁾

DRIVER

See page 5 for **ADDITIONAL DRIVER OPTIONS**.

- DIM** Driver with external dimming wires
- DRV** Driver without external dimming wires
- DA** Driver with 12V auxiliary power, without external dimming wires ⁽¹³⁾
- DSR** Sensor-ready driver without external dimming wires (D4i DALI-2) ⁽¹⁴⁾

VOLTAGE

- 120** 120V
- 277** 277V
- UNV** 120-277V
- 347** 347V ⁽¹⁵⁾

NOTES

- Lumens per foot output based on 80 CRI/3500K CCT. Actual lumens may vary +/-5%. See page 2 for **FIXTURE PERFORMANCE DATA**. Additional lumen packages available, see Options.
- Factory-installed earthquake clips provided.
- Field-installed earthquake clips provided.
- Extended lead times may apply. Consult factory for availability.
- Not available with 2' length or L10 lumen package.
- Specify in increments of 100 nominal lumens. Option must be specified with next higher lumen package.
- G or N fixture styles only.

- See page 4 for **AVI-ON BLUETOOTH WIRELESS CONTROL DETAILS**. See page 3 for **SENSOR & NODE PLACEMENT DETAILS**.
- DA Driver only.
- DA Driver only.
- DA and DSR Drivers only.
- DA and DSR Drivers only.
- Avi-on and Lutron Athena Controls only.
- Athena Controls only.
- Not available with EM batteries, DA, or DSR Drivers.



LRX2 LED 2" Wide Linear Recessed

FIXTURE PERFORMANCE DATA

	PER FOOT		
	DELIVERED LUMENS	WATTAGE	EFFICACY (lm/W)
L4	405	3.6	113
L8	800	6.9	116
L10	1007	9.1	111

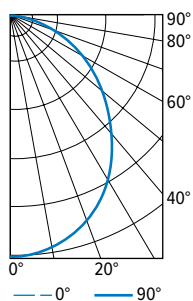
- Photometrics tested in accordance with IESNA LM-79. Results based on 80 CRI/3500K CCT, average wattage for 120V through 277V input, and 25°C ambient temperature. Actual performance may vary +/-5%
- To calculate lumen output in emergency mode, multiply the battery wattage by the efficacy.
- Use multiplier table to calculate additional options.

MULTIPLIER TABLE

	COLOR TEMPERATURE	
	CCT	CONVERSION FACTOR
80 CRI	2700K	0.97
	3000K	0.99
	3500K	1.00
	4000K	1.03
	5000K	1.06
90 CRI	2700K	0.80
	3000K	0.82
	3500K	0.83
	4000K	0.86
	5000K	0.89

PHOTOMETRY

LRX2G-4-L8/835-DMA-DIM-UNV Total Luminaire Output: 3200 lumens; 27.6 Watts | Efficacy: 116 lm/W | 80 CRI; 3500K CCT



CANDLEPOWER DISTRIBUTION	VERTICAL ANGLE	HORIZONTAL ANGLE			ZONAL LUMENS
		0°	45°	90°	
	0	1418	1418	1418	
	5	1435	1399	1391	133
	15	1369	1305	1273	369
	25	1235	1135	1070	526
	35	1044	927	853	585
	45	821	708	646	555
	55	593	505	462	462
	65	386	328	302	332
	75	195	171	159	185
	85	49	46	44	53
	90	0	0	0	

LUMEN SUMMARY	ZONE	LUMENS	% FIXTURE
	0 - 30	1028	32
	0 - 40	1613	50
	0 - 60	2630	82
	0 - 90	3200	100
	0 - 180	3200	100

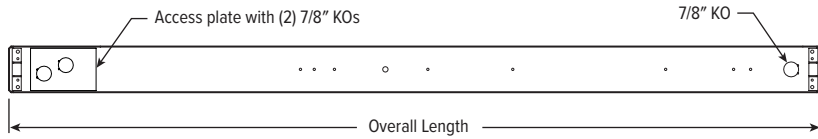
SEE NEXT PAGE FOR FIXTURE DETAILS



LRX2 LED 2" Wide Linear Recessed

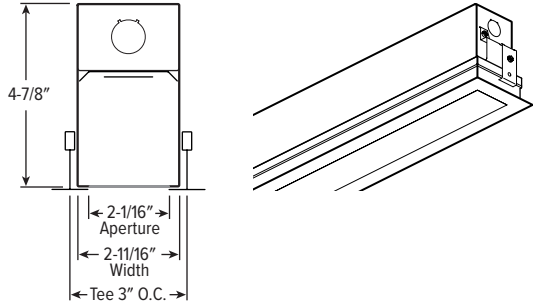
FIXTURE DETAILS

BACKVIEW

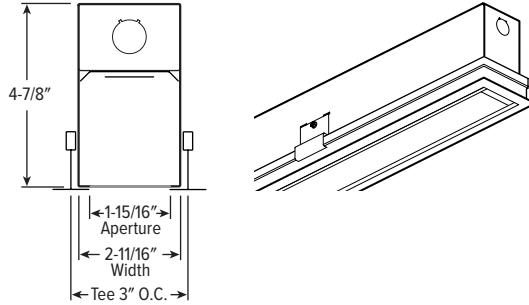


OVERALL LENGTH	
2'	23-13/16"
4'	47-13/16"
6'	71-13/16"
8'	95-13/16"

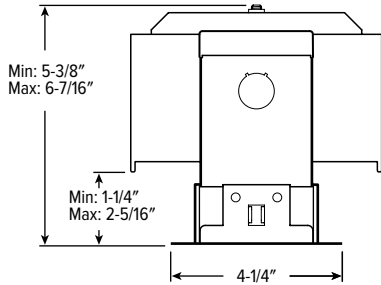
LRX2G



LRX2N



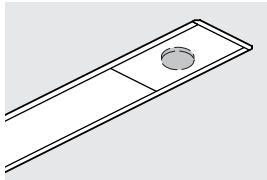
LRX2F



RECOMMENDED CEILING OPENING	
2'	3-5/8" x 24"
4'	3-5/8" x 48"
6'	3-5/8" x 72"
8'	3-5/8" x 96"

For continuous row mounting, add 24" for each additional 2' of row length.

SENSOR & NODE PLACEMENT DETAILS



SEE NEXT PAGE FOR ADDITIONAL CONTROL DETAILS

LRX2 LED 2" Wide Linear Recessed

AVI-ON BLUETOOTH WIRELESS CONTROL DETAILS

FEATURES

Simple

- Gateway-free distributed control
- Factory pre-commissioning
- Contractor friendly installation
- Occupancy/vacancy/daylight sensing

Scalable

- Virtually unlimited network size
- Spans small offices to large warehouses
- Flexible control strategies

Secure

- Optional cloud connectivity
- UL IoT platinum security rating
- DLC 5.0 compliant

COMMISSIONING & INSTALLATION TOOLS

Avi-on mobile apps provide intuitive, quick installation and commissioning. Pro tools are available to qualified installers. Live commissioning training and on-site or remote support by Avi-on must be ordered separately through Avi-on.



Commissioning Mobile App

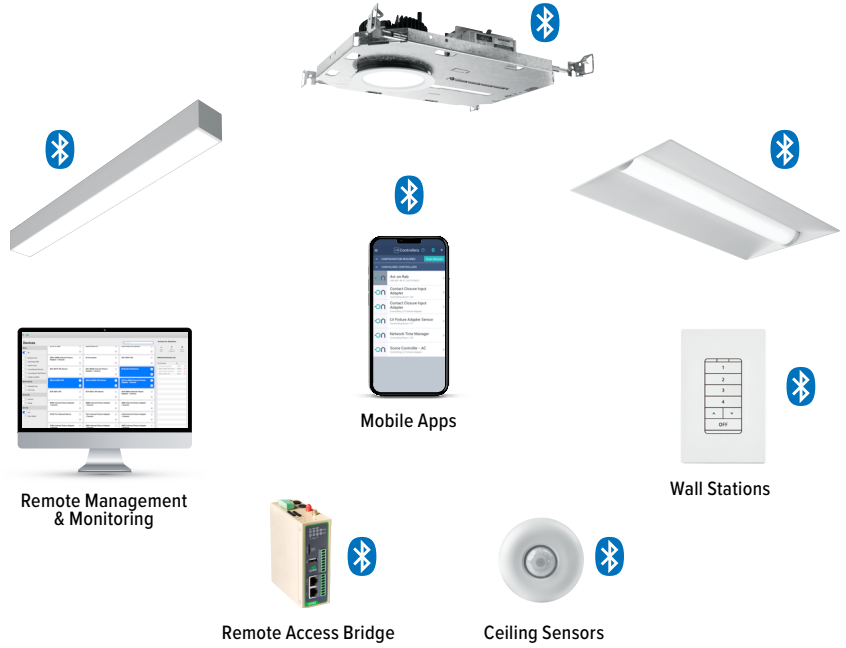


Zone Scanner Web App



Commissioning Pro App

SYSTEM COMPONENTS



The Bluetooth® word mark and logos are registered trademarks owned by Bluetooth SIG, Inc. and any use of such marks by Avi-on is under license. Other trademarks and trade names are those of their respective owners.

ACCESSORIES

WALL STATIONS	
AVI-2401AC	Scene controller - numbered 1-4, 120-277VAC
AVI-2402BAT	Scene controller - numbered 1-4, battery powered
AVI-2401AC-2	Dimmer with presets - percentages, 120-277VAC
AVI-2402BAT-2	Dimmer with presets - percentages, battery powered
AVI-2401AC-3	On/off/dimming, 120-277VAC
AVI-2402BAT-3	On/off/dimming, battery powered

NETWORK	
AVI-RAB-LTE	Remote access bridge
AVI-KIT-NTM	Network time manager with battery backup
CEILING MOUNT SENSORS	
AVI-KIT-SEN-DUCM	PIR motion and ultrasonic sensor kit
AVI-KIT-SEN-ICM	PIR motion and photocell sensor kit

For load controllers and additional accessory info, see hew.com/avi-on

AVI-LVFA-CS2-PIR Avi-on wireless fixture control with PIR motion and daylight sensor. DA Driver only.

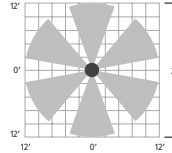
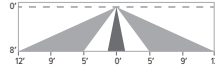
SPECIFICATIONS	
TYPE	PIR Motion + Daylight
MOUNTING HEIGHT	8' - 10'
DETECTION ANGLE	360°
TEMPERATURE RANGE	-30° to 50°C
RELATIVE HUMIDITY	10 to 80% non-condensing
IP RATING	IP20
MANUFACTURER	Avi-On

Bluetooth® Lighting Controls

SENSOR COVERAGE PATTERNS

Side View

8' height: Ø24' coverage



SENSOR DETAIL



Dimensions: 13/16" x 2-1/4"



LRX2 LED 2" Wide Linear Recessed

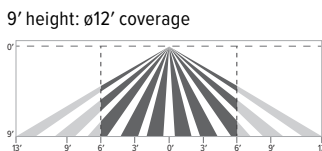
ADDITIONAL CONTROL OPTIONS

AWNS Lutron Athena wireless node integral fixture control, RF with daylight and occupancy sensing. DA and DSR Drivers only.

SPECIFICATIONS	
TYPE	Radio Frequency
MOUNTING HEIGHT	8' – 12'
DETECTION ANGLE	360°
TEMPERATURE RANGE	0° to 55°C
RELATIVE HUMIDITY	0 to 90%, non-condensing
COMMISSIONING	Clear Connect gateway – Type X with app (iOS or Android)
MANUFACTURER	Lutron



SENSOR COVERAGE PATTERNS



Motion Sensor Coverage

CEILING HEIGHT	COVERAGE AREA (SQ FT)
8'	114
9'	144
10'	178
12'	256

SENSOR DETAIL



Dimensions: ø1-1/8"

ATHENA CONTROL OPTIONS

CATALOG NUMBER	DESCRIPTION
AWNDR	Lutron Athena wireless node integral fixture control, RF only, for use with D4i DALI-2 or driver with 12V auxiliary power.
AWNS	Lutron Athena wireless node integral fixture control, RF with daylight and occupancy sensing, for use with D4i DALI-2 or driver with 12V auxiliary power.
AWNDR-BL	Lutron Athena wireless node integral fixture control, RF only, for use with D4i DALI-2 or driver with 12V auxiliary power, black finish.
AWNS-BL	Lutron Athena wireless node integral fixture control, RF with daylight and occupancy sensing, for use with D4i DALI-2 or driver with 12V auxiliary power, black finish.

ADDITIONAL DRIVER OPTIONS

Note: Lumen restrictions apply, consult product builder at hew.com/product-builder.

CATALOG NUMBER	DESCRIPTION
DRV	Driver prewired for non-dimming applications
DIM	Dimming driver prewired for 0-10V low voltage applications
DIM1	1% dimming driver prewired for 0-10V low voltage applications
DIM LINE	Line voltage dimming driver (TRIAC and ELV compatible, 120V only)
DIM TRC	Line voltage dimming driver (TRIAC compatible, 120V only)
DA	Driver with 12V auxiliary power
DSR	Sensor-ready driver (D4i DALI-2)
SD40	40% step-dimming driver
SD50	50% step-dimming driver
DALI	DALI dimming driver
LDE1	Lutron Hi-lume 1% EcoSystem dimming LED driver

