

CATALOG #: _____

TYPE: _____

PROJECT: _____



FEATURES

- Attractive and compact industrial styling with an innovative modular heatsink construction
- Open construction with aluminum heat sinks to maximize airflow and cooling
- Scalable footprint and variable outputs for high bay and low bay applications
- Clear and diffuse lens options
- Tailored performance with narrow, medium and wide distributions
- High-performance up to 140 lm/W
- Eliminate dark ceilings with the uniquely engineered uplight design
- Built tough with a 65°C maximum ambient temperature rating
- Made Right Here® in the USA

SPECIFICATIONS

- **HOUSING** – Aluminum and steel construction.
- **FINISH** – Nickel and textured black powder coat bonded to phosphate-free, multi-stage pretreated metal. Painted after fabrication to facilitate installation, increase efficiency, and inhibit corrosion.
- **ELECTRICAL** – High-quality mid-power LED boards. Surge protection >6kV. L70 >54,000 hours. -35°C – 65°C ambient operating temperature, lumen restrictions apply, consult Fixture Performance Data. 45°C maximum ambient operating temperature when specified with EM battery.
- **MOUNTING** – Suspended. Surface mount kit available. Indoor applications only.
- **LISTINGS** –
 - cCSAus certified as luminaire suitable for dry or damp locations.
 - Complies with the Buy American Act and other federal regulations. Request certification at hew.com/baa.
- **WARRANTY** – 5-year limited warranty, see hew.com/warranty.

ORDERING EXAMPLE: GP4 - L460/850 - M - OPTIONS - CONTROL/DIM - UNV

ORDERING INFO

SERIES	LUMENS ^[1]			CRI	CCT	DISTRIBUTION
GP2 2 Module	GP2	GP4	GP6	80	4000K	N Narrow
GP4 4 Module	L93 9,300lm	L300 30,000lm	L500 50,000lm	40	5000K	M Medium
GP6 6 Module	L150 15,000lm	L350 35,000lm	L550 55,000lm			W Wide
	L200 20,000lm	L400 40,000lm	L600 60,000lm			
	L230 23,000lm	L460 46,000lm	L650 65,000lm			
			L740 74,000lm			

OPTIONS ^[2]

EM/10W	10-watt emergency battery ^[3]	GP2-SMK	Surface mount kit for GP2 ^[11]
EM/14W	14-watt emergency battery ^[4]	GP4-SMK	Surface mount kit for GP4 ^[12]
EM/20W	20-watt emergency battery ^[5]	GP6-SMK	Surface mount kit for GP6 ^[13]
UP	Uplight reflector	GS/Y26/10	(2) Cable suspension kits, 10' adjustable length
UPM	Modules in uplight orientation ^[6]	HUB MT 3/4"	Cast iron hub and junction box for single 3/4" pendant mount ^[14]
UPMA	All modules in uplight orientation ^[7]	HUB/HOOK MT	Cast iron hub with mounting hook ^[15]
CL	Clear polycarbonate lens ^[8]	HOOK/CABLE	Hook and cable mounting kit, 10'
DL	Diffuse polycarbonate lens ^[9]	S7238/B	72" cord, 3-conductor, No. 18 AWG, black ^[16]
VBV	(2) Y-hangers	S7258/B	72" cord, 5-conductor, No. 18 AWG, black ^[17]
VBV-2	(2) Y-hangers with 2' chains	6CPI/L5-15P/TWLK	6' cord and NEMA twistlock 15 AMP plug, 120V ^[18]
WG11	11-gauge wireguard, chrome powder coated, field-installed ^[10]	6CPI/L7-15P/TWLK	6' cord and NEMA twistlock 15 AMP plug, 277V ^[19]

CONTROLS

	DRIVER ^[20]	VOLTAGE ^[21]
– None	DIM Driver with external 0-10V dimming wires	120 120V
See page 5 for Additional Control Options. ^[22]	DRV Driver without external dimming wires	208 208V
		240 240V
		277 277V
		UNV 120-277V
		347 347V ^[23]
		480 480V ^[24]

NOTES

- ¹ Lumen output based on 80 CRI/4000K CCT, W distribution. Actual performance may vary +/-5%, see page 2 for FIXTURE PERFORMANCE DATA. Additional lumen package available, see options
- ² See page 3 for FIXTURE DETAILS. See page 4 for MOUNTING DETAILS.
- ³ End mount, increases fixture size. See page 3 for FIXTURE DETAILS.
- ⁴ For use with GP2. End mount, increases fixture size. See page 3 for FIXTURE DETAILS.
- ⁵ For use with GP4 and GP6. End mount, increases fixture size. See page 3 for FIXTURE DETAILS.
- ⁶ One module for GP2, two modules for GP4 and GP6. See page 3 for UPLIGHT DETAILS. Ambient temperature restrictions apply. See page 2 for FIXTURE PERFORMANCE DATA.
- ⁷ Wide distribution only; Ambient temperature restrictions apply. See page 2 for FIXTURE PERFORMANCE DATA.
- ⁸ Wide distribution only.
- ⁹ Wide distribution only.
- ¹⁰ Recommended with optional DL lens to eliminate striations. Shipped separately.
- ¹¹ Not available with UPM or UPMA. Shipped separately.
- ¹² Not available with UPM or UPMA. Shipped separately.
- ¹³ Not available with UPM or UPMA. Shipped separately.
- ¹⁴ Shipped separately.
- ¹⁵ Shipped separately.
- ¹⁶ DRV only.
- ¹⁷ DIM only.
- ¹⁸ DRV only.
- ¹⁹ DRV only.
- ²⁰ Consult factory for additional driver options.
- ²¹ Must specify voltage (not UNV) if using cord and plug.
- ²² See page 4 for SENSOR PLACEMENT DETAILS.
- ²³ Not available with EM batteries.
- ²⁴ Not available with EM batteries.



FIXTURE PERFORMANCE DATA

	LED PACKAGE	DELIVERED LUMENS	WATTAGE	EFFICACY (lm/W)	MAXIMUM TEMPERATURE (°C)					
					STANDARD		SURFACE MOUNT KIT		UPLIGHT MODULE ^[1]	
					NO LENS	WITH LENS	NO LENS	WITH LENS	NO LENS	WITH LENS
GP2	L93	9281	66	141	65	55	61	51	45	40
	L150	14770	107	138	60	55	56	51	45	40
	L200	19818	157	126	60	50	56	46	45	35
	L230	23310	187	125	55	40	51	36	40	30
GP4	L300	29015	236	123	60	55	56	51	45	40
	L350	34147	278	123	60	55	56	51	45	40
	L400	38934	317	123	60	50	56	46	45	35
	L460	45793	375	122	55	40	51	36	40	30
GP6	L500	52871	402	132	60	55	56	51	45	40
	L550	57596	438	131	60	55	56	51	45	35
	L600	63000	479	132	60	50	56	46	40	30
	L650	68200	520	131	55	40	51	36	40	30
	L740	74099	566	131	55	40	51	36	40	30

MULTIPLIER TABLES

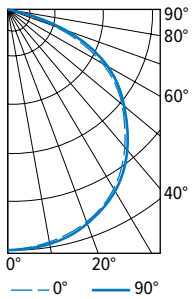
DISTRIBUTION		AMBIENT TEMPERATURE	
N	0.94	AMBIENT TEMP (°C)	FLUX
M	0.95	25	1.00
W	1.00	40	0.95
		50	0.91
		55	0.90
		60	0.89
		65	0.87

LENS	
CL	0.94
DL	0.76

- ¹ Minimum of 48" from mounting surface required for upright modules.
- Photometrics tested in accordance with IESNA LM-79. Results based on average wattage for 120V through 277V input, and 25°C ambient temperature. Results based on relative CCT output. Performance is the same for 4000 and 5000 CCT. Actual performance may vary +/-5%.
 - To calculate lumen output in emergency mode, multiply the battery wattage by the efficacy.
 - Use multiplier tables to calculate additional options.

PHOTOMETRY

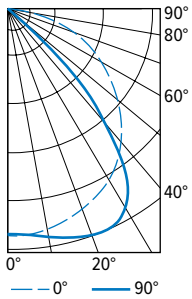
GP2-L230/850-W-DIM-UNV Report #: 19477; 09/06/16 | Total Luminaire Output: 23310 lumens; 187 Watts | Efficacy: 124.7 lm/W | 82.2 CRI; 5089K CCT



CANDLEPOWER DISTRIBUTION	VERTICAL ANGLE	HORIZONTAL ANGLE			ZONAL LUMENS
		0°	45°	90°	
	0	8090	8090	8090	
	5	8116	8074	8037	770
	15	7882	7870	7827	2226
	25	7358	7397	7396	3417
	35	6599	6674	6744	4193
	45	5581	5654	5686	4382
	55	4333	4419	4469	3961
	65	2884	3003	2554	2853
	75	1342	1148	982	1294
	85	186	189	180	215
	90	0	0	0	

LUMEN SUMMARY	ZONE	LUMENS	% FIXTURE
	0 - 30	6413	28
	0 - 40	10606	46
	0 - 60	18949	81
	0 - 90	23310	100
	0 - 180	23310	100

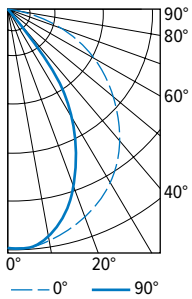
GP4-L460/850-M-DIM-UNV Report #: 19518; 09/23/16 | Total Luminaire Output: 43369 lumens; 376 Watts | Efficacy: 115.6 lm/W | 82.0 CRI; 5038K CCT



CANDLEPOWER DISTRIBUTION	VERTICAL ANGLE	HORIZONTAL ANGLE			ZONAL LUMENS
		0°	45°	90°	
	0	18379	18379	18379	
	5	18368	18443	18497	1760
	15	17875	18750	19293	5294
	25	16843	18801	19596	8569
	35	15263	17918	16637	10609
	45	13001	13632	7091	9098
	55	10269	4199	591	4973
	65	7110	461	53	2401
	75	3524	39	16	576
	85	530	9	5	90
	90	0	0	0	

LUMEN SUMMARY	ZONE	LUMENS	% FIXTURE
	0 - 30	15623	36
	0 - 40	26231	61
	0 - 60	40302	93
	0 - 90	43369	100
	0 - 180	43369	100

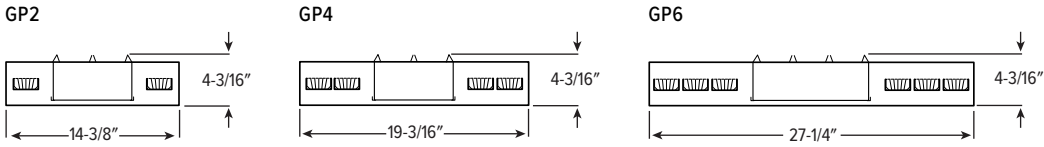
GP4-L460/850-N-DIM-UNV Report #: 19519.1; 10/11/16 | Total Luminaire Output: 43160 lumens; 376 Watts | Efficacy: 114.8 lm/W | 82.2 CRI; 5072K CCT



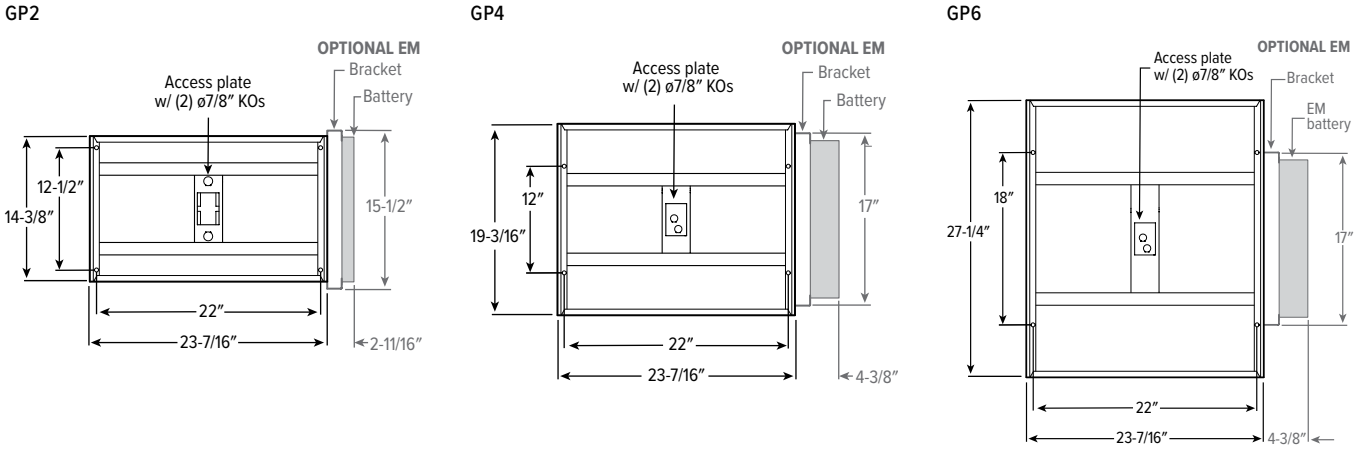
CANDLEPOWER DISTRIBUTION	VERTICAL ANGLE	HORIZONTAL ANGLE			ZONAL LUMENS
		0°	45°	90°	
	0	28659	28659	28659	
	5	28349	28790	28313	2729
	15	27478	27156	25820	7651
	25	25439	22362	18867	10321
	35	22505	15313	10638	10231
	45	18605	7883	95	6421
	55	13942	143	0	3607
	65	8957	0	0	1614
	75	3983	0	0	536
	85	358	0	0	49
	90	0	0	0	

LUMEN SUMMARY	ZONE	LUMENS	% FIXTURE
	0 - 30	20701	48
	0 - 40	30932	72
	0 - 60	40961	95
	0 - 90	43160	100
	0 - 180	43160	100

CROSS SECTIONS



FIXTURE DETAILS



CLEAR LENS



DIFFUSE LENS



WIREGUARD



UPLIGHT DETAILS

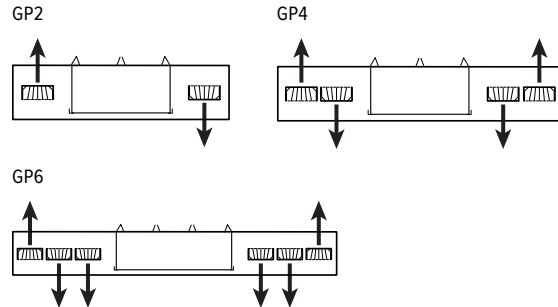
UPLIGHT REFLECTOR



UPLIGHT % OF TOTAL FLUX

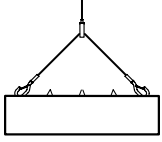
	GP2	GP4	GP6
UPLIGHT REFLECTOR			
N	8.4	4.2	2.6
M	8.2	4.1	2.5
W	8.6	4.3	2.7
CL	10.0	5.0	3.1
DL	16.0	8.0	4.9
UPLIGHT MODULES			
UPM	50.0	50.0	33.3
UPMA	100.0	100.0	100.0

UPM UPLIGHT MODULES

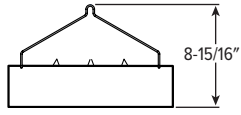


MOUNTING DETAILS

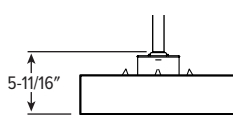
GS/Y26/10



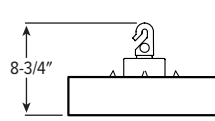
VBY OR VBY-2



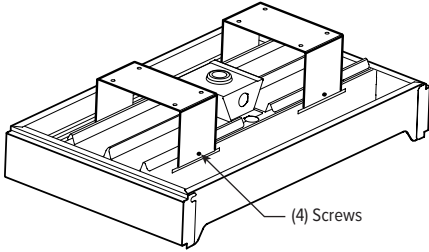
HUB MT 3/4"



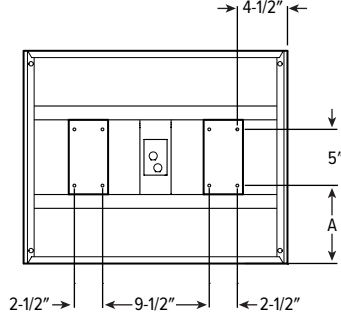
HUB/HOOK MT



GP_-SMK



BACKVIEW

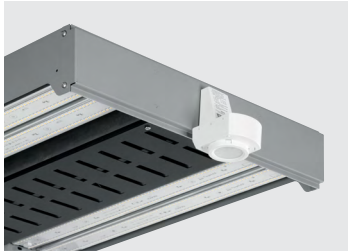


CROSS SECTION



DIMENSION A		
GP2	GP4	GP6
4-11/16"	7"	11-1/8"

SENSOR PLACEMENT DETAILS



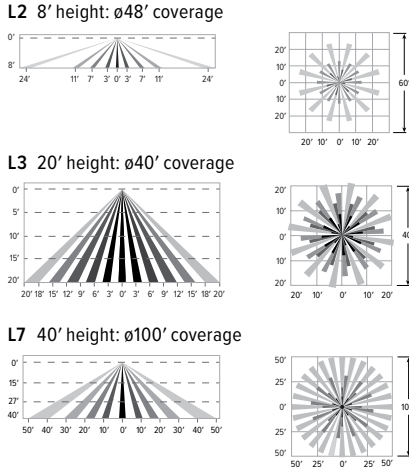
SEE NEXT PAGE FOR CONTROL DETAILS.

ADDITIONAL CONTROL OPTIONS

OCCWS-FSP-321B-L_-120-480 Wattstopper PIR motion and daylight sensor using 0-10V internal control, 120V-480V. Must specify lens: L2, L3 or L7. Factory installed.
OCCWS-FSP-221B-L_-120-480 Wattstopper PIR motion and daylight sensor using 0-10V internal control, 120V-480V. Must specify lens: L2, L3 or L7. Factory installed.
FSIR-100 Remote controller for 221B sensor. Please specify quantity required per project. Ordered and shipped separately.

SPECIFICATIONS	
TYPE	PIR Motion + Daylight
MOUNTING HEIGHT	8' – 40'
DETECTION ANGLE	360°
TEMPERATURE RANGE	-40° to 75°C
COMMISSIONING	321B Sensor: App (iOS or Android) 221B Sensor: FSIR-100 Remote

SENSOR COVERAGE PATTERNS



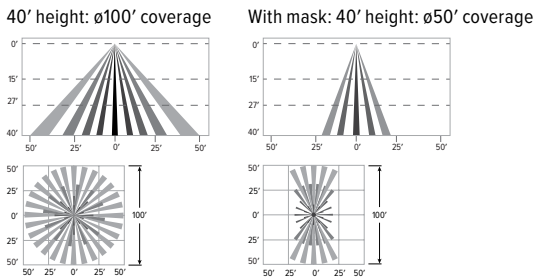
SENSOR DETAIL



OCCWS-HBP-111-L7-120/277/347 Wattstopper PIR motion and daylight hold off sensor, 120/277/347V. Adjustable via remote. Optional FSIR-100 remote controller available.
FSIR-100 Remote controller for HBP-111 sensor. Please specify quantity required per project. Ordered and shipped separately.

SPECIFICATIONS	
TYPE	PIR Motion + Daylight Hold Off
MOUNTING HEIGHT	15' – 40'
DETECTION ANGLE	360°
TEMPERATURE RANGE	0° to 70°C
RELATIVE HUMIDITY	5 to 95%, non-condensing
COMMISSIONING	FSIR-100 Remote

SENSOR COVERAGE PATTERNS



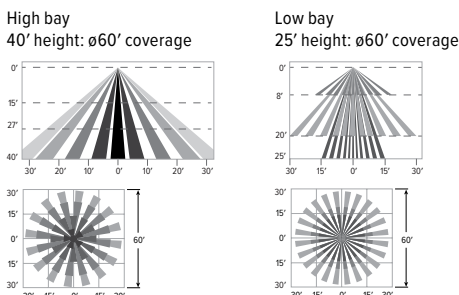
SENSOR DETAIL



OCCLV-OSFHU-ITW-120-347 Leviton PIR motion sensor, 120-347V
OCCLV-OSFHU-I4W-208/240/480 Leviton PIR motion sensor, 208/240/480V

SPECIFICATIONS	
TYPE	PIR Motion
MOUNTING HEIGHT	8' – 40'
LENS	Interchangeable high bay, low bay or aisle mask
DETECTION ANGLE	360°
TEMPERATURE RANGE	-10° to 71°C
RELATIVE HUMIDITY	20% to 90% non-condensing

SENSOR COVERAGE PATTERNS



SENSOR DETAIL

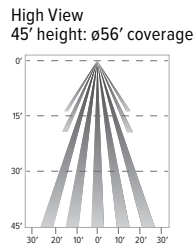
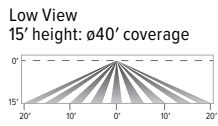


OCCSS LSXR-6-120-277 Sensor Switch PIR motion sensor, 120-277V

OCCSS LSXR-6-347/480 Sensor Switch PIR motion sensor, 347/480V

SPECIFICATIONS	
TYPE	PIR Motion
MOUNTING HEIGHT	15' – 45'
DETECTION ANGLE	360°
TEMPERATURE RANGE	-10° to 60°C
RELATIVE HUMIDITY	Up to 90% non-condensing

SENSOR COVERAGE PATTERNS



SENSOR DETAIL

