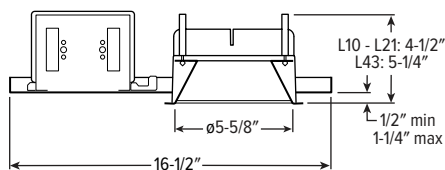


# 6PR tunable WHITE

## 6" Shallow Plenum Downlight – Round



CATALOG #: \_\_\_\_\_

TYPE: \_\_\_\_\_

PROJECT: \_\_\_\_\_

### NEW CONSTRUCTION AND REMODEL

ORDERING EXAMPLE: **6PR - TL - L10/8TW - OPTIONS - DIM - UNV - LW - OF - WH - TRIM OPTIONS - N - F1**

HOUSING
TRIM
MOUNT.



### HOUSING

SERIES	LUMENS <sup>[1]</sup>	COLOR	OPTIONS	CONTROL	VOLTAGE
<b>6PR-TL</b>	<b>L10</b> 1,000lm	<b>8TW</b> Tunable white (80 CRI, 2700K-5000K)	See page 3 for <b>EMERGENCY BATTERY OPTIONS</b> .	See page 3 for <b>CONTROL DETAILS</b> .	<b>UNV</b> 120-277V
TrimLock	<b>L21</b> 2,100lm <b>L43</b> 4,300lm		<b>ATH</b> Airtight construction <b>CP</b> Chicago plenum (CCEA) <sup>[2]</sup> <b>F</b> Fuse kit	<b>DALI</b> Driver prewired for DALI applications <b>DIM</b> Dimming driver with (1) 0-10V signal to control dimming and (1) 0-10V signal to control CCT <b>DMX</b> Driver prewired for DMX applications <b>PSQ</b> Lutron T-Series 2-channel tunable white 1%. <sup>[3]</sup>	

### TRIM <sup>[4]</sup>

TRIM TYPE	DISTRIBUTION <sup>[5]</sup>	FLANGE TYPE	REFLECTOR FINISH	TRIM OPTIONS
<b>L</b> Flush lens	<b>W</b> 85° Wide	<b>OF</b> 1/2" standard flange	<b>CS</b> Clear semi-specular powder coat	<b>IP</b> IP65 rated trim
<b>A</b> Angled lens <sup>[6]</sup>	<b>M</b> 35° Medium <sup>[8]</sup>	<b>SF</b> 1/4" mud-in flange <sup>[10]</sup>	<b>WH</b> White texture powder coat	<b>AD</b> Diffuse acrylic lens <sup>[11]</sup>
<b>S</b> Non-conductive flush lens for shower applications <sup>[7]</sup>	<b>N</b> 25° Narrow <sup>[9]</sup>		<b>BL</b> Black texture powder coat	<b>PD</b> Diffuse 1/8" polycarbonate lens <sup>[12]</sup> <b>WET/CC</b> Wet location, covered ceiling listed <sup>[13]</sup> <b>AM</b> Anti-microbial <sup>[14]</sup>

### MOUNTING

MOUNTING TYPE <sup>[15]</sup>	MOUNTING HARDWARE <sup>[16]</sup>
<b>N</b> Open pan for new construction	<b>F1</b> Integral 2-position fixed pan bracket, universal bar hanger included <sup>[19]</sup>
<b>I</b> IC-rated enclosure for new construction <sup>[17]</sup>	<b>BA1</b> Adjustable butterfly pan bracket, bar hanger not included <sup>[20]</sup>
<b>R</b> Remodel kit <sup>[18]</sup>	<b>CA1</b> Adjustable caterpillar pan bracket, universal bar hanger included <sup>[21]</sup>

### NOTES

- <sup>1</sup> Lumen output based on L trim type, W distribution and WH finish, 4000K/80CRI. Actual lumens may vary +/-5%. See page 2 for FIXTURE PERFORMANCE DATA.
- <sup>2</sup> I Mounting Type required.
- <sup>3</sup> Not available with I Mounting Type.
- <sup>4</sup> Trim ships separately.
- <sup>5</sup> Beam angle based on WH reflector finish and L Trim Type.
- <sup>6</sup> Wide distribution only. Diffuse acrylic lens standard.
- <sup>7</sup> W Distribution, OF Flange Type, WH Reflector Finish only. Standard with AD diffuse acrylic lens. IP and WET/CC options standard.
- <sup>8</sup> Not available with L43 lumen stop.
- <sup>9</sup> Not available with L43 lumen stop.
- <sup>10</sup> For use with mud-in plaster construction only, supplied with mud flange installation kit. See page 4 for FLANGE TYPE DETAILS. Not available with ATH or IP options.
- <sup>11</sup> L Trim Type only. W distribution only.
- <sup>12</sup> W distribution only.
- <sup>13</sup> Not available with PD trim option.
- <sup>14</sup> WH and BL Reflector Finishes only. Not available with S Trim Type.
- <sup>15</sup> Mounting hardware required (N and I only), ordered separately, see MOUNTING HARDWARE ordering info. See page 4 for MOUNTING TYPE DETAILS.
- <sup>16</sup> Additional mounting hardware options available. See page 5 for MOUNTING HARDWARE DETAILS.
- <sup>17</sup> L10 and L21 lumen packages only. Not available with EM batteries.
- <sup>18</sup> Also used in new construction sheetrock ceilings. Pan-less installation.
- <sup>19</sup> N and I Mounting Types only. I Mounting requires external brackets.
- <sup>20</sup> N Mounting Type only.
- <sup>21</sup> N Mounting Type only.



# 6PR tunable WHITE

## 6" Shallow Plenum Downlight – Round

### FEATURES

#### TrimLock®

- Innovative TrimLock reflector retention system ensures trim remains flush with ceiling plane
- Support human-centric design with adaptive, individualized lighting using tunable white light
- Slim 5" depth for minimal plenum space applications
- Beam angles ranging from 25° narrow to 85° wide for tailored performance
- Die-cast trim with flush or angled lens provides glare-free illumination for a soft ceiling appearance
- Fully room-side accessible
- New construction mounting pan, IC-rated, or pan-less remodel kit available
- Optional non-conductive lens for shower applications
- IP65-rated die-cast trim includes easy-to-clean flush lens

### SPECIFICATIONS

- HOUSING** – Spun housing with forged aluminum heat sink. Galvanized steel splice compartment with driver mounting plate/enclosure. Mounting clips allow for ceiling thickness from 1/2"– 1-1/4" (consult factory for additional ceiling thicknesses).
- TRIMLOCK** – Innovative TrimLock reflector retention system ensures the trim remains flush with the ceiling plane.
- LENSED TRIM** – Die-cast aluminum frame with micro-prismatic, acrylic lens.
- ELECTRICAL** – High-performance Class 2 LED array. Modular quick-connect plug for easy field-connection of LED light assembly to driver. Reported L70>50,000 hours. Tunable White products use LEDs of multiple CCTs and may produce a perceptibly different shade of white from single-CCT products at the same CCT. All CCTs are within 3 MacAdam ellipses.
- MOUNTING** – Recessed. 20 ga. galvanized steel mounting pan for new construction or IC-rated enclosure. Remodel kit option includes receiver bracket hardware.
- LISTINGS** –
  - cCSAus conforms to UL STD 1598; Certified to CAN/CSA STD C22.2 No. 250.0 for dry and damp locations. LED light assembly conforms to UL 2108 for remote installation.
  - Suitable for wet location under covered ceiling when specified with WET/CC option.
  - IC-rated for direct contact with insulation when specified with I Mounting Type.
  - City of Chicago Environmental Air approved when specified with CP option.
  - Complies with ASTM-E283 when specified with ATH option.
  - RoHS compliant.
  - Complies with the Buy American Act and other federal regulations. Request certification at [hew.com/baa](http://hew.com/baa).
- WARRANTY** – 5-year limited warranty, see [hew.com/warranty](http://hew.com/warranty).

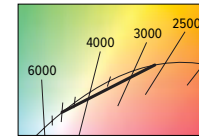
### FIXTURE PERFORMANCE DATA

	DISTRIBUTION	DELIVERED LUMENS	WATTAGE	EFFICACY (lm/W)
L10	W	1148	14.6	79
	M	1164	14.6	80
	N	1175	14.6	81
L21	W	2152	24.0	90
	M	2182	24.0	91
	N	2107	24.0	88
L43	W	4352	46.7	93
	M	-	-	-
	N	-	-	-

### MULTIPLIER TABLES

COLOR TEMPERATURE		
CCT	LUMENS	WATTS
2700K	0.83	1.03
3000K	1.00	1.00
3500K	0.99	0.99
4000K	1.00	1.00
5000K	0.98	1.03

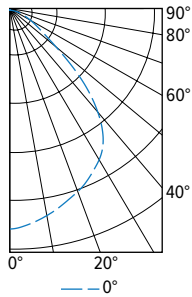
TRIM	
CATALOG NUMBER	CONVERSION FACTOR
S	0.85
AD	0.85
PD	0.85



- Photometrics tested in accordance with IESNA LM-79. Results shown are based on 25°C ambient temperature.
- Wattage shown is based on 120V input.
- Results based on 4000K, 80 CRI, actual lumens may vary +/-5%
- To calculate lumen output in emergency mode, multiply the battery wattage by the efficacy.
- Use multiplier tables to calculate additional options.

### PHOTOMETRY

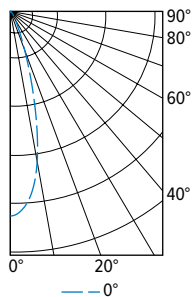
6PR-TL-L10/8TW-DIM-UNV-LW-OF-WH Total Luminaire Output: 1148 lumens; 14.6 Watts | Efficacy: 78.6 lm/W | 80.0 CRI; 4000K CCT



CANDLEPOWER DISTRIBUTION	VERTICAL ANGLE	HORIZONTAL ANGLE	ZONAL LUMENS
		0°	
	0	608	
	5	597	56
	15	559	158
	25	514	237
	35	447	276
	45	289	219
	55	116	108
	65	58	58
	75	26	28
	85	6	7
	90	0	

LUMEN SUMMARY	ZONE	LUMENS	% FIXTURE
	0 - 40	728	63
	0 - 60	1055	92
	0 - 90	1148	100
	0 - 180	1148	100

6PR-TL-L10/8TW-DIM-UNV-LM-OF-WH Total Luminaire Output: 1164 lumens; 14.6 Watts | Efficacy: 79.7 lm/W | 80.0 CRI; 4000K CCT



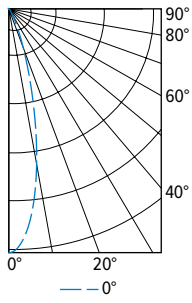
CANDLEPOWER DISTRIBUTION	VERTICAL ANGLE	HORIZONTAL ANGLE	ZONAL LUMENS
		0°	
	0	2679	
	5	2574	236
	15	1685	453
	25	533	254
	35	158	104
	45	70	55
	55	36	33
	65	19	19
	75	9	9
	85	2	2
	90	0	

LUMEN SUMMARY	ZONE	LUMENS	% FIXTURE
	0 - 40	1047	90
	0 - 60	1134	97
	0 - 90	1164	100
	0 - 180	1164	100



# 6PR tunable WHITE 6" Shallow Plenum Downlight – Round

6PR-TL-L10/8TW-DIM-UNV-LN-OF-WH Total Luminaire Output: 1175 lumens; 14.6 Watts | Efficacy: 80.5 lm/W | 80.0 CRI; 4000K CCT



CANDLEPOWER DISTRIBUTION	VERTICAL ANGLE	HORIZONTAL ANGLE	ZONAL LUMENS
		0°	
	0	4341	
	5	3924	341
	15	1682	463
	25	401	195
	35	110	73
	45	56	44
	55	34	31
	65	19	19
	75	8	9
	85	2	2
	90	0	

LUMEN SUMMARY	ZONE	LUMENS	% FIXTURE
	0 - 40	1071	91
	0 - 60	1145	97
	0 - 90	1175	100
	0 - 180	1175	100

## EMERGENCY BATTERY OPTIONS

Additional limitations apply, see page 1. Specify CEC in the option code when California Energy Commission regulations are required.

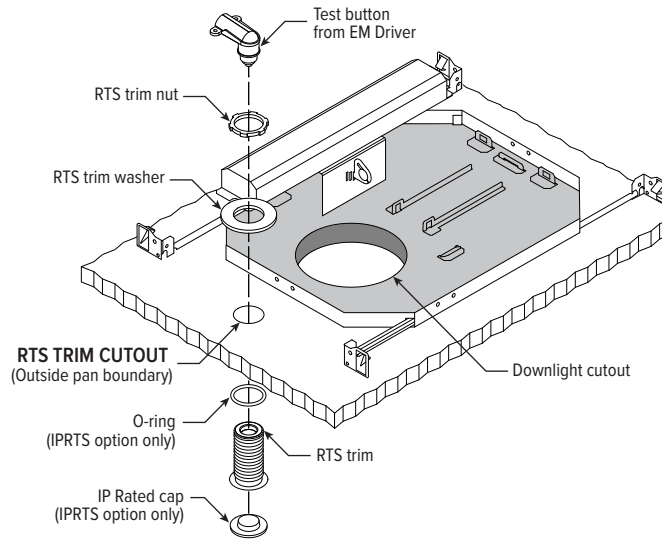
CATALOG NUMBER	DESCRIPTION
EM/7W	7-watt emergency battery <sup>[1]</sup>
EM/7W/RTS	7-watt emergency battery with regressed test switch <sup>[2]</sup>
EM/7W/IPRTS	7-watt emergency battery with IP65 rated regressed test switch
EM/10W	10-watt emergency battery <sup>[1]</sup>
EM/10W/RTS	10-watt emergency battery with regressed test switch <sup>[2]</sup>
EM/10W/IPRTS	10-watt emergency battery with IP65 rated regressed test switch

- <sup>1</sup> Not available with S Trim Type or IP Option.
- <sup>2</sup> Not available with S Trim Type, IP or WET/CC Options.

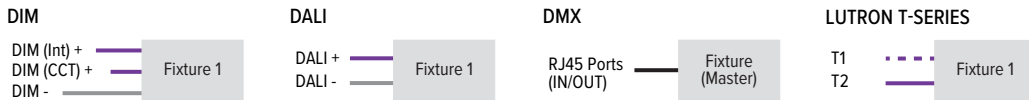
## REGRESSED TEST SWITCH DETAILS



Shown Installed



## CONTROL DETAILS

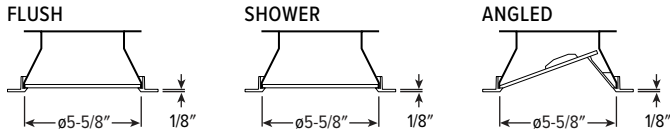


## TRIMLOCK DETAILS

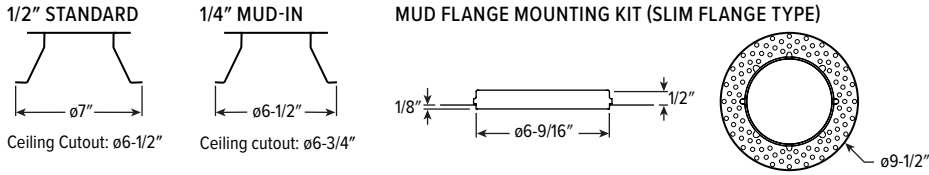


# 6PR tunable WHITE 6" Shallow Plenum Downlight – Round

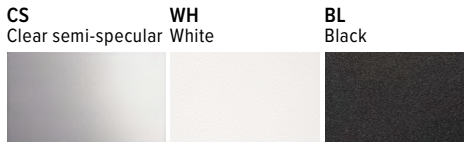
## TRIM TYPE DETAILS



## FLANGE TYPE DETAILS

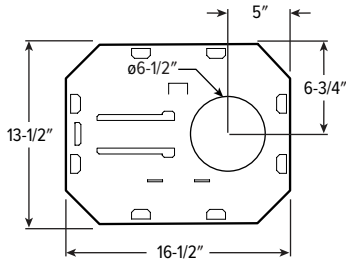


## REFLECTOR FINISH DETAILS

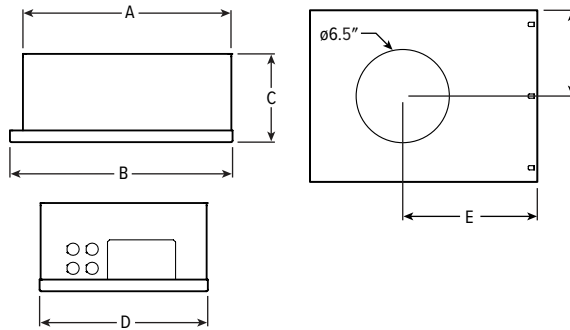


## MOUNTING TYPE DETAILS

### NEW CONSTRUCTION

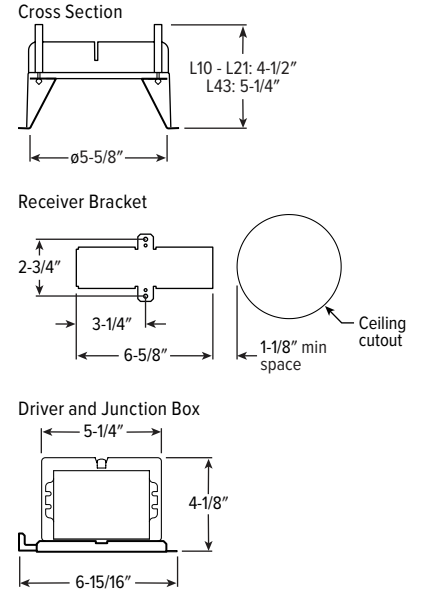


### IC-RATED



LUMENS	LENGTH					
	A	B	C	D	E	F
L10	15-1/16"	16"	4-1/2"	12-1/8"	9-1/2"	6"
L21	15-3/16"		6-3/8"			

### REMODEL



## APERTURE ADAPTOR ORDERING INFO

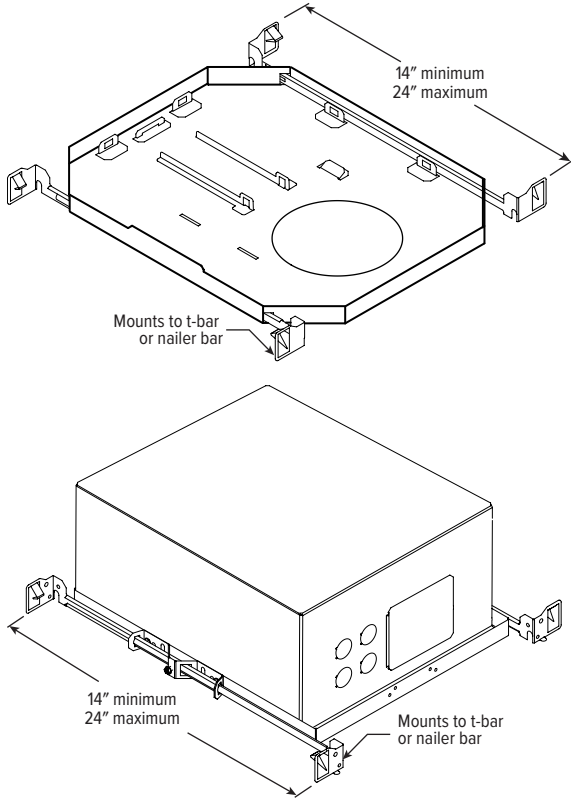
ORDERING EXAMPLE: 4DR - GR - 0575 - WHT			
SERIES	CATALOG NUMBER	CEILING CUTOUT	FINISH
4AR 6AR 4DR 6DR 4DS 6DS 4PR 6PR 4PS 6PS 8DR	GR	Specify ceiling cutout in 1/8" increments. Example: 5.75" = 0575	CS Clear semi-specular powder coat
		See Kit Components for application limits.	WH White texture powder coat BL Black texture powder coat

For use with remodel downlights. Additional finishes available, consult factory.  
For limitations and instructions, see [hew.com/aperture-adaptor.pdf](http://hew.com/aperture-adaptor.pdf)

# 6PR tunable WHITE 6" Shallow Plenum Downlight – Round

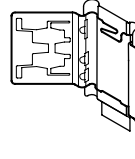
## MOUNTING HARDWARE DETAILS

**F1** Integral 2-position fixed pan bracket, universal bar hanger included

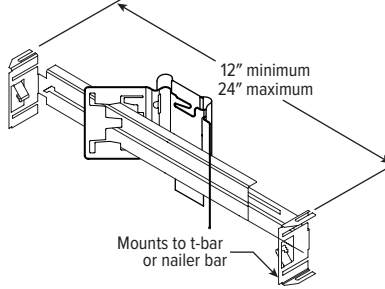


F1 with I Mounting Type

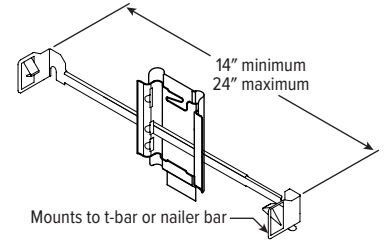
**BA1** Adjustable butterfly pan bracket, bar hanger not included (N Mounting Type only)



**BA2** Adjustable butterfly pan bracket, heavy-duty universal bar hanger included (N Mounting Type only)



**CA1** Adjustable caterpillar pan bracket, universal bar hanger included (N Mounting Type only)



**CA2** Adjustable caterpillar pan bracket, t-bar hanger included (N Mounting Type only)

