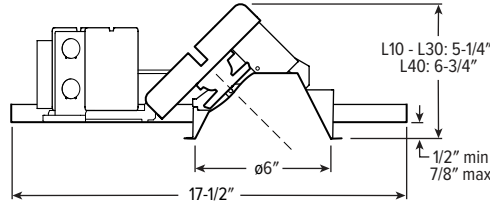


# 6AR LED 6" Adjustable Downlight – Round



CATALOG #: \_\_\_\_\_

TYPE: \_\_\_\_\_

PROJECT: \_\_\_\_\_

## NEW CONSTRUCTION AND REMODEL

ORDERING EXAMPLE: **6AR - L20/835 - OPTIONS - CONTROL/DIM - UNV - OW - OF - CS - TRIM OPTIONS - N - F1**

HOUSING
TRIM
MOUNT



### HOUSING

SERIES	LUMENS <sup>[1]</sup>	CRI	CCT	OPTIONS	CONTROL	DRIVER	VOLTAGE
6AR	L10 1,000lm <sup>[2]</sup>	8 80	27 2700K	See page 4 for EMERGENCY BATTERY OPTIONS.	See page 6 for ADDITIONAL CONTROL/DRIVER OPTIONS.	See page 6 for ADDITIONAL CONTROL/DRIVER OPTIONS.	UNV 120-277V 347 347V <sup>[10]</sup>
	L15 1,500lm	9 90 <sup>[3]</sup>	30 3000K				
	L20 2,000lm		35 3500K	ATH Airtight construction <sup>[4]</sup>	- None	DIM Dimming driver, 0-10V	
	L30 3,000lm		40 4000K	CP Chicago plenum (CCEA) <sup>[5]</sup>	AVI-LVFA Avi-on wireless fixture control <sup>[7]</sup>	DIM1 1% Dimming driver, 0-10V	
	L40 4,000lm		50 5000K	F Fuse kit SDT Stepdown transformer <sup>[6]</sup>	AWNRLutron Athena wireless node integral fixture control, RF only <sup>[8]</sup>	DA Driver with 12V auxiliary power, without external dimming wires <sup>[9]</sup>	

### TRIM<sup>[11]</sup>

TRIM TYPE	DISTRIBUTION <sup>[12]</sup>	FLANGE TYPE	REFLECTOR FINISH	TRIM OPTIONS
O Open reflector	W Wide	OF 1/2" standard flange	<b>Open trim types</b>	MWT Textured white trim flange <sup>[14]</sup>
L Flush lens	55° Open	SF 1/4" mud-in flange <sup>[13]</sup>	CS Clear semi-specular anodize	AD Diffuse acrylic lens <sup>[15]</sup>
A Angled lens	55° Flush		WH White texture powder coat	PD Diffuse 1/8" polycarbonate lens <sup>[16]</sup>
	50° Angled		BL Black texture powder coat	WET/CC Wet location, covered ceiling listed <sup>[17]</sup>
	M Medium		<b>Lens trim types</b>	AM Anti-microbial <sup>[18]</sup>
	35° Open		CS Clear semi-specular powder coat	
	35° Flush		WH White texture powder coat	
	35° Angled		BL Black texture powder coat	
	N Narrow			
	25° Open			
	25° Flush			
	30° Angled			

### MOUNTING

MOUNTING TYPE <sup>[19]</sup>	MOUNTING HARDWARE <sup>[20]</sup>
N Open pan for new construction	F1 Factory-installed 2-position fixed pan bracket, universal bar hanger included <sup>[23]</sup>
I IC-rated enclosure for new construction <sup>[21]</sup>	BA1 Adjustable butterfly pan bracket, bar hanger not included <sup>[24]</sup>
R Remodel kit <sup>[22]</sup>	CA1 Adjustable caterpillar pan bracket, universal bar hanger included <sup>[25]</sup>

### NOTES

- 1 Lumen output based on O trim type, W distribution and CS finish, 3500K/80CRI. Actual lumens may vary +/-5%. See page 2 for FIXTURE PERFORMANCE DATA.
- 2 Not available with EM/10W emergency batteries.
- 3 Extended lead times may apply. Consult factory for availability.
- 4 I Mounting Type required.
- 5 I Mounting Type required.
- 6 May be required for 347V, see product builder at [hew.com/product-builder](http://hew.com/product-builder)
- 7 DA Driver only. See page 6 for AVI-ON BLUETOOTH WIRELESS CONTROL DETAILS.
- 8 DA Driver only.
- 9 Avi-on and Lutron Athena Controls only.
- 10 Not available with EM batteries, DA or DMX Drivers.
- 11 Trim ships separately.
- 12 Beam angle based on CS or WH reflector finish.
- 13 For use with mud-in plaster construction only, supplied with mud flange installation kit. See page 3 for FLANGE TYPE DETAILS. Not available with ATH option.
- 14 Not available with WH Reflector Finish or L Trim Type.
- 15 L and A Trim Types only. W distribution only.
- 16 L and A Trim Types only. W distribution only.
- 17 L and A Trim Types only. Not available with PD trim option.
- 18 WH and BL Reflector Finishes only.
- 19 Mounting hardware required (N and I only), ordered separately, see MOUNTING HARDWARE ordering info. See page 5 for MOUNTING TYPE DETAILS.
- 20 Additional mounting hardware options available. See page 5 for MOUNTING HARDWARE DETAILS.
- 21 Not available with L40 lumen package. Not available with EM batteries.
- 22 Also used in new construction sheetrock ceilings. Pan-less installation.
- 23 N and I Mounting Types only. Universal bar hanger ships uninstalled. I Mounting requires external brackets.
- 24 N Mounting Type only.
- 25 N Mounting Type only.



# 6AR LED 6" Adjustable Downlight – Round

## FEATURES

- Adjustable aim with 0° - 45° tilt and 360° rotation
- Beam angles ranging from 25° narrow to 55° wide for tailored performance
- Spring clip retention system eliminates trim sag
- Etched degree markers and directional indicator make it simple to fine-tune the illumination angle
- Choice of open reflector or die-cast lensed trims to complement interior style
- Contemporary design provides glare-free illumination for a soft ceiling appearance
- Fully room-side accessible
- Wireless in-fixture control solutions available

## SPECIFICATIONS

- HOUSING** – Die-cast aluminum spun and stamped articulating mechanism with forged aluminum heat sink. Galvanized steel splice compartment with driver mounting plate/enclosure. Mounting clips allow for ceiling thickness from 1/2" - 7/8".
- OPEN REFLECTOR** – Low-iridescent anodized aluminum. Clear semi-specular finish standard.
- LENSED TRIM** – Die-cast aluminum frame with micro-prismatic, acrylic lens.
- ELECTRICAL** – High-performance Class 2 C.O.B. LED array. Modular quick-connect plug for easy field-connection of LED light assembly to driver. Reported L70>55,000 hours. Reported L90>55,000 hours. Estimated L70 = 200,000 hours.
- MOUNTING** – Recessed. 20 ga. galvanized steel mounting pan for new construction or IC-rated enclosure. Remodel kit option includes receiver bracket hardware. N and R mounting types for use in non-fire rated installations only. Minimum 24" O.C. marked spacing required for L30 and L40 lumen packages.
- LISTINGS** –
  - cCSAus conforms to UL STD 1598; Certified to CAN/CSA STD C22.2 No. 250.0 for dry and damp locations. LED light assembly conforms to UL 2108 for remote installation.
  - Suitable for wet location under covered ceiling when specified with WET/CC option.
  - IC-rated for direct contact with insulation when specified with I Mounting Type.
  - City of Chicago Environmental Air approved when specified with CP option.
  - Complies with ASTM-E283 when specified with ATH option.
  - RoHS compliant.
  - Complies with the Buy American Act and other federal regulations. Request certification at [hew.com/baa](http://hew.com/baa).
- WARRANTY** – 5-year limited warranty, see [hew.com/warranty](http://hew.com/warranty).

## FIXTURE PERFORMANCE DATA

### OPEN REFLECTOR TRIM TYPE

	DISTRIBUTION	DELIVERED LUMENS	WATTAGE	EFFICACY (lm/W)
L10	W	1020	10.5	97
	M	1023	10.5	97
	N	1022	10.5	97
L15	W	1537	15.1	102
	M	1542	15.1	102
	N	1541	15.1	102
L20	W	2039	21.0	97
	M	2045	21.0	97
	N	2044	21.0	97
L30	W	2917	31.3	93
	M	2915	31.3	93
	N	2790	31.3	89
L40	W	3889	42.0	93
	M	3886	42.0	93
	N	3720	42.0	89

### FLUSH LENS TRIM TYPE

	DISTRIBUTION	DELIVERED LUMENS	WATTAGE	EFFICACY (lm/W)
L10	W	896	10.5	85
	M	956	10.5	91
	N	951	10.5	91
L15	W	1350	15.1	89
	M	1442	15.1	96
	N	1433	15.1	95
L20	W	1791	21.0	85
	M	1912	21.0	91
	N	1901	21.0	91
L30	W	2559	31.3	82
	M	2717	31.3	87
	N	2609	31.3	83
L40	W	3411	42.0	81
	M	3622	42.0	86
	N	3478	42.0	83

### ANGLED LENS TRIM TYPE

	DISTRIBUTION	DELIVERED LUMENS	WATTAGE	EFFICACY (lm/W)
L10	W	744	10.5	71
	M	889	10.5	85
	N	907	10.5	86
L15	W	1122	15.1	74
	M	1340	15.1	89
	N	1368	15.1	91
L20	W	1488	21.0	71
	M	1777	21.0	85
	N	1814	21.0	86
L30	W	2144	31.3	69
	M	2507	31.3	80
	N	2441	31.3	78
L40	W	2858	42.0	68
	M	3342	42.0	80
	N	3254	42.0	78

### MULTIPLIER TABLES

	COLOR TEMPERATURE	
	CCT	CONVERSION FACTOR
80 CRI	2700K	0.92
	3000K	0.98
	3500K	1.00
	4000K	1.01
	5000K	1.02
90 CRI	2700K	0.76
	3000K	0.79
	3500K	0.82
	4000K	0.84
	5000K	0.88

OPEN REFLECTOR FINISH	
CATALOG NUMBER	CONVERSION FACTOR
CS	1.00
WH	0.89
BL	0.79

TRIM	
CATALOG NUMBER	CONVERSION FACTOR
AD <sup>1</sup>	0.85
PD <sup>1</sup>	0.85

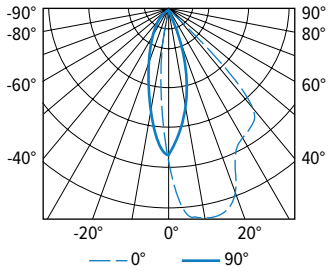
- Photometrics tested in accordance with IESNA LM-79. Results shown are based on 25°C ambient temperature.
- Wattage shown is based on 120V input.
- Results based on 3500K, 80 CRI, 0° tilt, actual lumens may vary +/-5%
- To calculate lumen output in emergency mode, multiply the battery wattage by the efficacy.
- Use multiplier table to calculate additional options.



# 6AR LED 6" Adjustable Downlight – Round

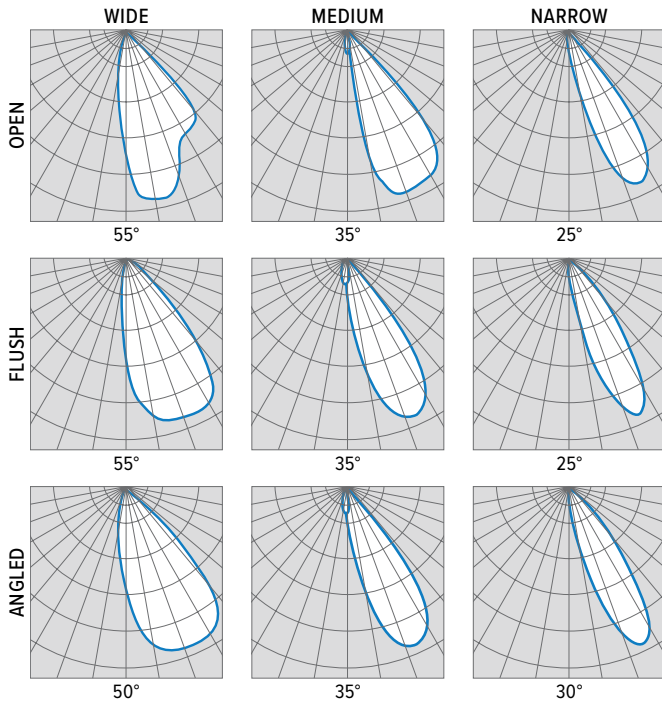
## PHOTOMETRY

6AR-L20/835-DIM-UNV-OW-OF-CS (25° tilt) Report #: 20390; 05/16/18 | Total Luminaire Output: 1958 lumens; 21.2 Watts | Efficacy: 92.5 lm/W | 82.3 CRI; 3571K CCT

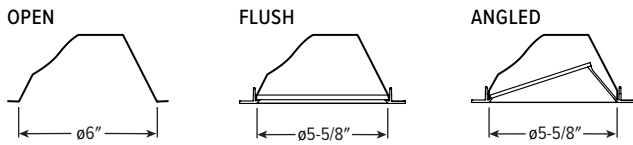


CANDLEPOWER DISTRIBUTION	VERTICAL ANGLE	HORIZONTAL ANGLE					ZONAL LUMENS
		0°	45°	90°	135°	180°	
	0	2605	2605	2605	2605	2605	
	5	3639	3208	2308	1607	1297	227
	15	3810	2844	1321	442	310	469
	25	2919	2543	541	122	92	548
	35	2592	1908	109	26	20	499
	45	1695	212	11	6	6	212
	55	20	2	0	0	2	3
	65	0	0	0	0	0	0
	75	0	0	0	0	0	0
	85	0	0	0	0	0	0
	90	0	0	0	0	0	0

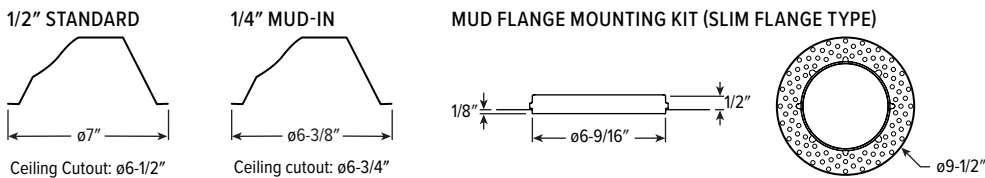
LUMEN SUMMARY	ZONE	LUMENS	% FIXTURE
	0 - 30	1244	64
	0 - 40	1743	89
	0 - 60	1958	100
	0 - 90	1958	100
	0 - 180	1958	100



## TRIM TYPE DETAILS



## FLANGE TYPE DETAILS



# 6AR LED 6" Adjustable Downlight – Round

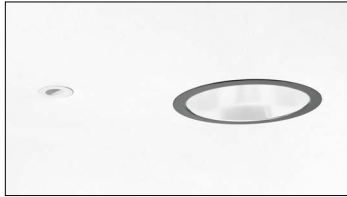
## EMERGENCY BATTERY OPTIONS

Additional limitations apply, see page 1. Specify CEC in the option code when California Energy Commission regulations are required.

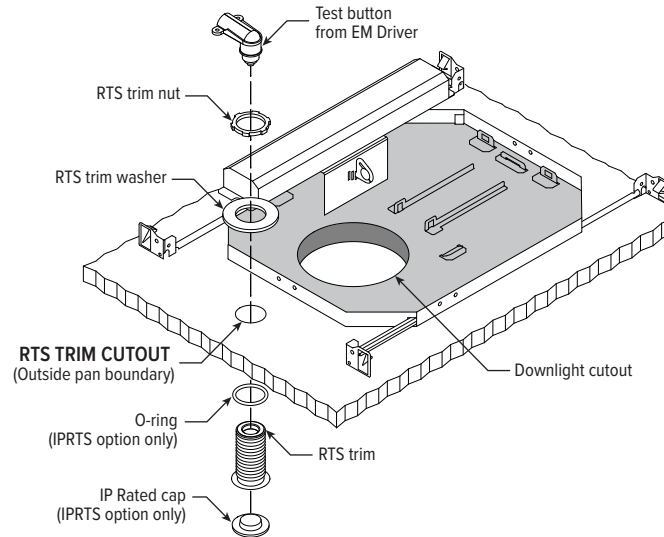
CATALOG NUMBER	DESCRIPTION
EM/7W	7-watt emergency battery
EM/7W/RTS	7-watt emergency battery with regressed test switch <sup>1</sup>
EM/7W/IPRTS	7-watt emergency battery with IP65 rated regressed test switch
EM/10W	10-watt emergency battery
EM/10W/RTS	10-watt emergency battery with regressed test switch <sup>1</sup>
EM/10W/IPRTS	10-watt emergency battery with IP65 rated regressed test switch

<sup>1</sup> Not available with WET/CC Option.

## REGRESSED TEST SWITCH DETAILS

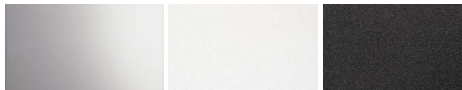


Shown Installed



## REFLECTOR FINISH DETAILS

**CS** Clear semi-specular      **WH** White      **BL** Black



## APERTURE ADAPTOR ORDERING INFO

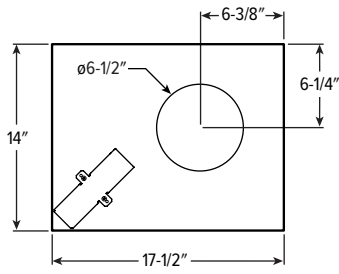
ORDERING EXAMPLE: 4DR - GR - 0575 - WHT			
SERIES	CATALOG NUMBER	CEILING CUTOUT	FINISH
4AR 6AR	GR	Specify ceiling cutout in 1/8" increments. Example: 5.75" = 0575	<b>CS</b> Clear semi-specular powder coat
4DR 6DR			<b>WH</b> White texture powder coat
4DS 6DS			<b>BL</b> Black texture powder coat
4PR 6PR			
4PS 6PS			See Kit Components for application limits.
8DR			

For use with remodel downlights. Additional finishes available, consult factory.  
For limitations and instructions, see [hew.com/aperture-adaptor.pdf](http://hew.com/aperture-adaptor.pdf)

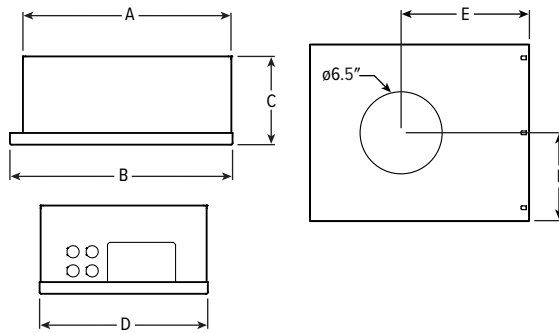
# 6AR LED 6" Adjustable Downlight – Round

## MOUNTING TYPE DETAILS

### NEW CONSTRUCTION

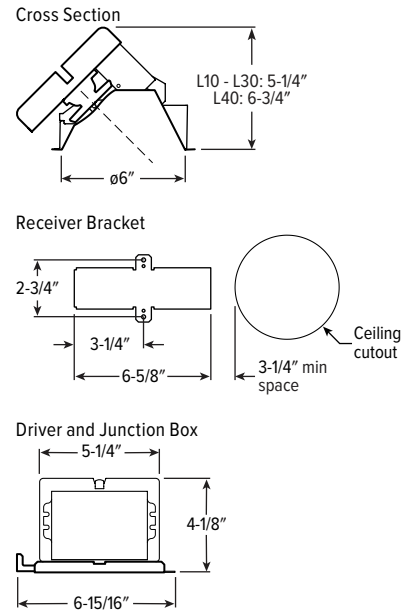


### IC-RATED



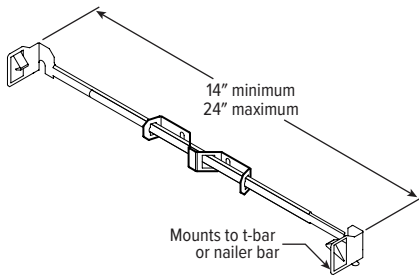
LUMENS	LENGTH					
	A	B	C	D	E	F
L10 - L20	15-3/16"	16"	6-3/8"	12-1/8"	9-1/2"	6-1/16"
L30	16-5/8"	17-1/2"	7-7/8"	14"	10-1/4"	7"

### REMODEL

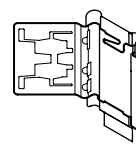


## MOUNTING HARDWARE DETAILS

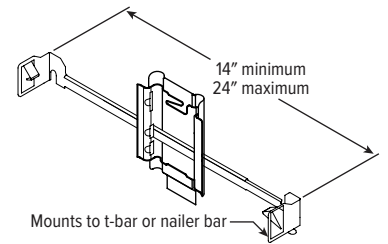
**F1** Factory-installed 2-position fixed pan bracket, universal bar hanger included, ships uninstalled



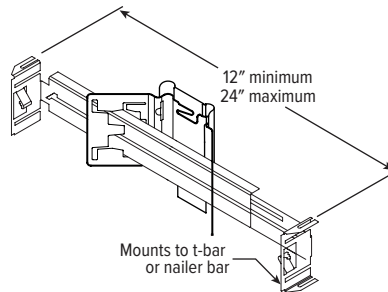
**BA1** Adjustable butterfly pan bracket, bar hanger not included (N Mounting Type only)



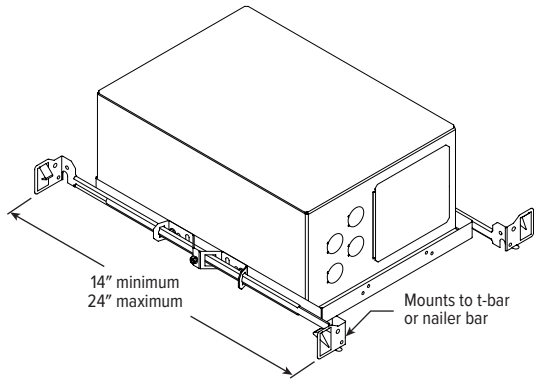
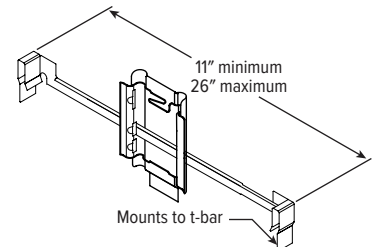
**CA1** Adjustable caterpillar pan bracket, universal bar hanger included (N Mounting Type only)



**BA2** Adjustable butterfly pan bracket, heavy-duty universal bar hanger included (N Mounting Type only)



**CA2** Adjustable caterpillar pan bracket, t-bar hanger included (N Mounting Type only)



F1 with I Mounting Type

SEE NEXT PAGE FOR CONTROL DETAILS.



# 6AR LED 6" Adjustable Downlight – Round

## AVI-ON BLUETOOTH WIRELESS CONTROL DETAILS

### FEATURES

#### Simple

- Gateway-free distributed control
- Factory pre-commissioning
- Contractor friendly installation
- Occupancy/vacancy/daylight sensing

#### Scalable

- Virtually unlimited network size
- Spans small offices to large warehouses
- Flexible control strategies

#### Secure

- Optional cloud connectivity
- UL IoT platinum security rating
- DLC 5.0 compliant

### COMMISSIONING & INSTALLATION TOOLS

Avi-on mobile apps provide intuitive, quick installation and commissioning. Pro tools are available to qualified installers. Live commissioning training and on-site or remote support by Avi-on must be ordered separately through Avi-on.



Commissioning Mobile App

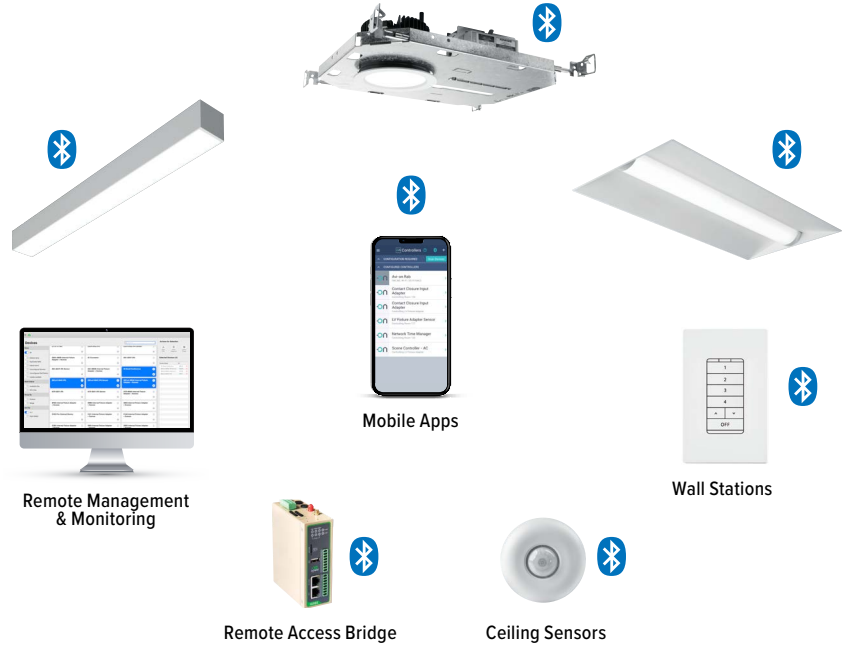


Zone Scanner Web App



Commissioning Pro App

### SYSTEM COMPONENTS



The Bluetooth® word mark and logos are registered trademarks owned by Bluetooth SIG, Inc. and any use of such marks by Avi-on is under license. Other trademarks and trade names are those of their respective owners.

### ACCESSORIES

WALL STATIONS	
AVI-2401AC	Scene controller - numbered 1-4, 120-277VAC
AVI-2402BAT	Scene controller - numbered 1-4, battery powered
AVI-2401AC-2	Dimmer with presets - percentages, 120-277VAC
AVI-2402BAT-2	Dimmer with presets - percentages, battery powered
AVI-2401AC-3	On/off/dimming, 120-277VAC
AVI-2402BAT-3	On/off/dimming, battery powered

NETWORK	
AVI-RAB-LTE	Remote access bridge – LTE connection
AVI-2001RAB-01-C	Remote access bridge – Wifi connection
AVI-KIT-NTM	Network time manager with battery backup

CEILING MOUNT SENSORS	
AVI-KIT-SEN-DUCM	PIR motion and ultrasonic sensor kit
AVI-KIT-SEN-ICM	PIR motion and photocell sensor kit

For load controllers and additional accessory info, see [hew.com/avi-on](http://hew.com/avi-on)

### ADDITIONAL CONTROL/DRIVER OPTIONS

Lumen restrictions apply: L30 max for DMX driver, L40 max for Lutron drivers, L40 max for DIM LINE driver. R mounting type requires top access with DMX controls. R Mounting Type not available with FCJS controls. R Mounting Type requires 12" minimum plenum depth when specified with VRF/DBI controls. 347V may require stepdown transformer, see product builder at [hew.com/product-builder](http://hew.com/product-builder). I Mounting Type not available with Lutron controls.

CATALOG NUMBER	DESCRIPTION
AVI-LVFA/DA	Avi-on wireless fixture control for use with driver with 12V auxiliary power
VRF/DBI/LDE1	Lutron Vive integral fixture control, RF only (DFCSJ-OEM-RF) and digital link interface, with Lutron Hi-lume 1% EcoSystem dimming LED driver
FCJS/DIM	Lutron Vive PowPak wireless fixture control with dimming driver
FCJS/DIM1	Lutron Vive PowPak wireless fixture control with 1% dimming driver
DIM	Dimming driver prewired for 0-10V low voltage applications
DIM1	1% dimming driver prewired for 0-10V low voltage applications
DIM LINE	Line voltage dimming driver (TRIAC and ELV compatible at 120V only)
DALI	DALI dimming driver
DMX	0.1% dimming driver for DMX controls
LDE1	Lutron Hi-lume 1% EcoSystem dimming LED driver

