

# MK II MAKASHI II



- ▶ **Elegant Exterior Design**
- ▶ **Support Addressable RGB Lighting**
- ▶ **Provide 19 Pre-set Lighting Effects**
- ▶ **Strong Cooling Potential**
- ▶ **Flexible System Configuration and Storage Option**



MAKASHI II MKT50, a full-tower computer case, is designed to display fascinating addressable RGB lighting effects by synchronizing with ASUS Aura Sync, ASRock Polychrome, GIGABYTE RGB Fusion, and MSI Mystic Light Sync. Its spacious system configuration design provides you the flexibility to upgrade your components. The 2<sup>nd</sup> generation of MAKASHI II MKT50 features 19 pre-set lighting effects, which can allow you to enjoy the dynamic visual feast without connecting RGB-ready motherboards or software.

## Features

### ▶ **Elegant Exterior Design**

The 2 lighting strips in the front panel embellish the case and make it more appealing



### ▶ **Support Addressable RGB Lighting Synchronization**

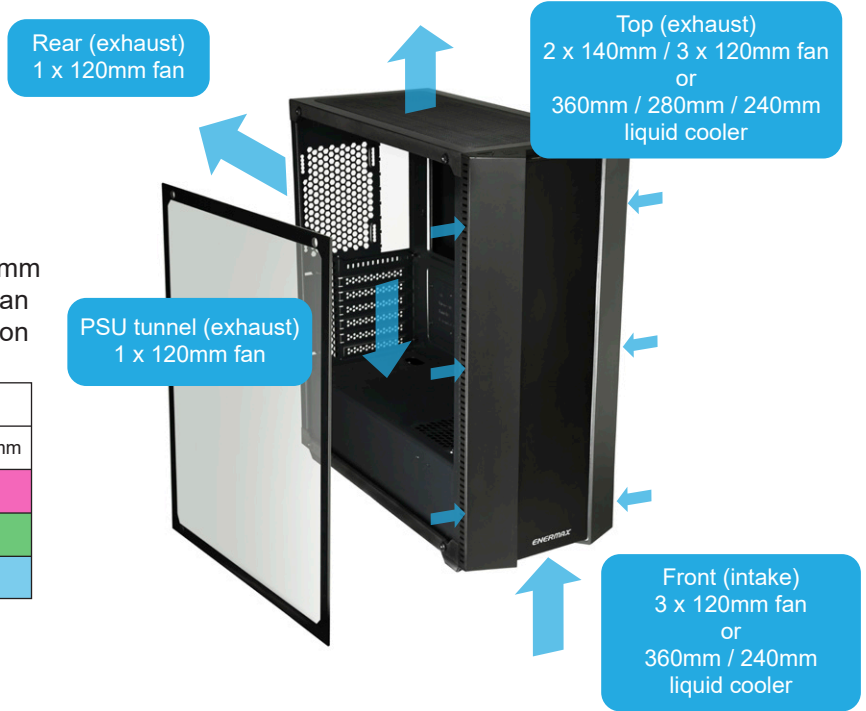
Support motherboards which have a 5V addressable RGB header and able to control the lighting effects through the motherboard software, including ASUS Aura Sync, GIGABYTE RGB Fusion, MSI Mystic Light Sync and ASRock Polychrome




### Strong Cooling Potential

MAKASHI II MKT50 can accommodate 360mm radiator in the front and on the top panel; it can also support 8x120mm cooling fans installation

Liquid Cooler Compatibility Chart					
Radiator size	360mm	280mm	240mm	140mm	120mm
Front	✓		✓		✓
Top	✓	✓	✓	✓	✓
Rear					✓





### Pre-set 19 Lighting Effects

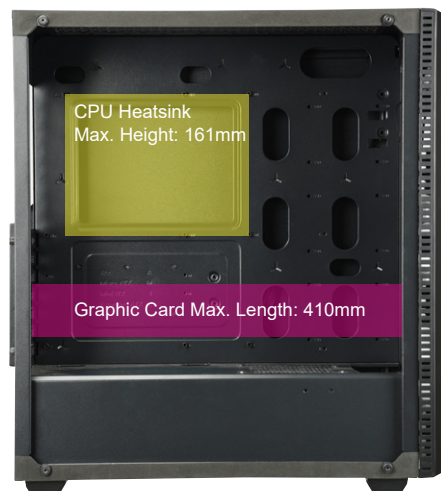
MAKASHI II MKT50 offers 19 lighting effects, and you can select your preferred lighting style through the top I/O port

\* Long press the **lighting control button** for 3-5 seconds to switch the RGB sync controlled by M/B or case

\* The **reset button** is on the front I/O panel which is replaced by the **lighting control button**

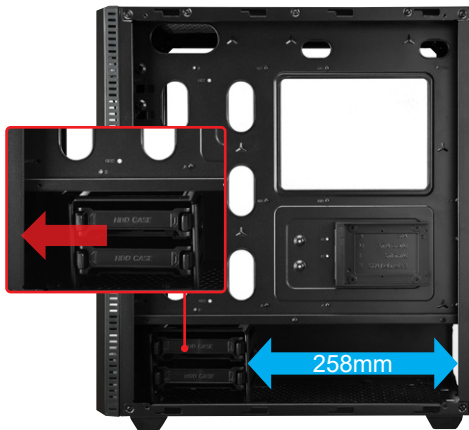
### Flexible System Configuration

Support E-ATX/ ATX/ Micro-ATX/ Mini- ITX motherboards, graphic cards up to 410mm in length, and CPU cooler up to 161mm in height



### Flexible Storage Option

Support up to 6 x 2.5" SSDs or 3.5" HDDs drives which you can install behind motherboard or inside the case to provide more choice of storage options for your system



### Better Cable Management

Movable HDD cage can create extra space for longer PSU (max. 20cm) installation

### Clean and Safe

Anti-dust rubber plugs prevent USB port oxidation and rust

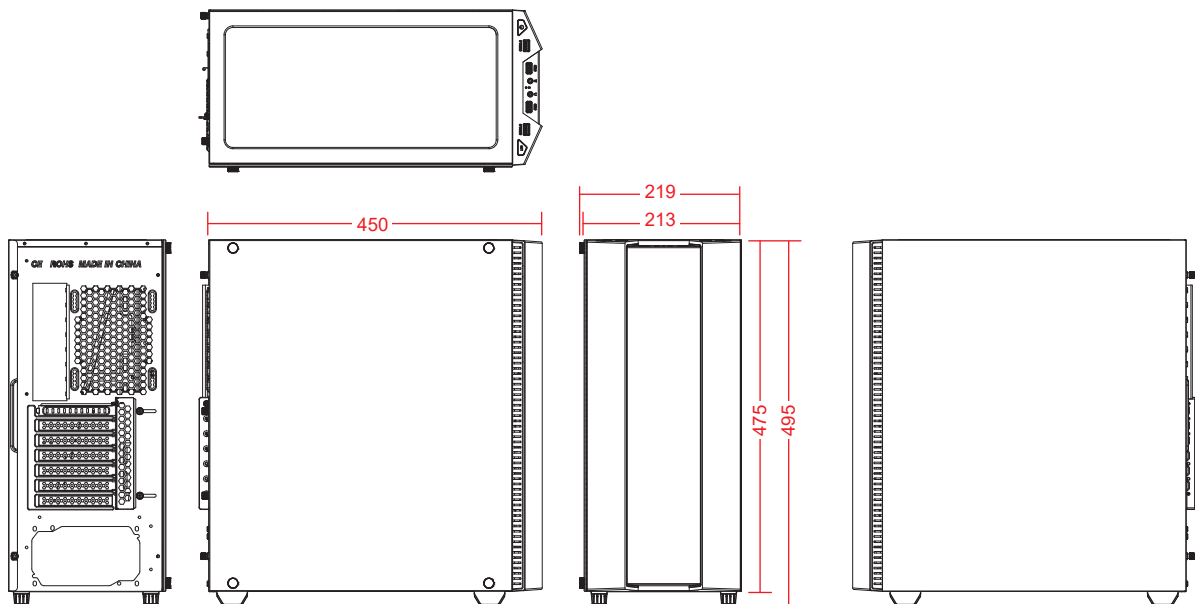


### Edge-to-Edge Tempered Glass Side Panel

Full-view tempered glass side panel allows you to show off your rigs

## Dimensions

unit:mm



## Specifications

Model Name		ECA-MKT50-BB-ARGB	ECA-MKT50-BB-ARGB-01
Dimensions		D450 x W213 x H495mm	
Material		SPCC, T=0.6mm	
M/B Type		E-ATX, ATX, Micro ATX, Mini ITX	
LED Strips		Addressable RGB Pin assignment: 5V / D / G	
I/O		USB3.2 Gen 1 x 1, USB2.0 x 2, HD Audio x 1, Lighting control	
Drive Bays	3.5"	2	
	2.5"	6 ( 2 x Converted from 3.5" HDD tray)	
Expansion Slots		7	
Fan Slots	Front	3 x 120mm	
	Top	2 x 140mm / 3 x 120mm	
	Rear	1 x 120mm	1 x 120mm (Pre-Installed Non-LED Fan)
	PSU Tunnel	1 x 120mm	
Liquid Cooling	Front	360mm / 240mm radiator	
	Top	360mm / 280mm / 240mm radiator	
	Rear	120mm radiator	
PSU Length Limitation		200mm	
Clearance		Suggested VGA Card Length: 410mm	
		Suggested CPU Cooler Height: 161mm	
Shipping information			
Barcode	EAN	4713157725097	4713157725394
	UPC	819315025093	819315025390
Carton Dimension		D535 x W270 x H520mm	
Gross weight		8 kgs	8.1 kgs
Net weight		6.8 kgs	6.9 kgs