

# NEOChanger

RGB LED Reservoir and Pump Combo



ELC-NC100/150/200RGB

 **ENERMAX**  
POWER. INNOVATION. DESIGN.  
[www.enermax.com](http://www.enermax.com)

# NEOChanger

RGB LED Reservoir and Pump Combo

- Support Motherboard RGB-Sync
- Perfect for Case Modding
- Unique RGB LED Reservoir and Pump Combo
- Powerful 5.2m Hydraulic Head
- Digital Pump Speed Meter

ENERMAX NEOChanger is a DIY liquid cooling pump and reservoir combo. The combo features incredible RGB LED lighting that is designed to be controlled via either the RGB-sync-ready motherboards or the included remote control. The 3-in-1 remote control enables users to easily adjust LED colors, lighting effects, and pump speed. What's more, patented digital speed meter is built on the pump, revealing real time pump speed. NEOChanger is available in 200ml, 300ml, and 400ml capacity to meet different application needs.



## Features

### Unique RGB LED Reservoir and Pump combo

NEOChanger combines a pump and a reservoir for water-cooled PCs. The RGB LED solution features at least 256 colors for users to create the preferred lighting effects to match themes of the rigs, which makes NEO-Changer a perfect element for case modding.



Pump Speed: 1500 ~ 4000 (±10%) RPM

### Digital Pump Speed Readout

Patented digital panel indicating can easy to read real time pump speed display. Through the remote control, users can fine tune the speed at intervals of 150 RPM or make quick RPM selection through the 6 pre-programmed speed buttons to reach the preferred cooling performance.

### User-friendly 3-in-1 Remote Control

NEOChanger includes a 3-in-1 remote control for users to effortlessly adjust LED colors, lighting effects and pump speed. No APP or software is required!

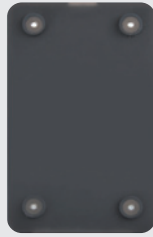


- Flash Fixed color with flash effects
- Sparkle Fixed color with sparkle effects
- Auto Automatic color change
- Store Fix your own color

\*Memory Function : Previously selected color and lighting mode will resume when system starts

### ▼ Magnetic Silicone Cover for the Remote Control

Silicone cover provides the great protection for the control; the magnetic design helps the remote control to be easily accessed and stored.



### ▼ 3 Models Available for Various Applications

ELC-NC100RGB (200ml), ELC-NC150RGB (300ml) and ELC-NC200RGB (400ml) to fulfill different applications.

### ▼ Easy and Flexible Installation

The included brackets enable users to mount the NEOChanger vertically or horizontally depending on the configuration. Fittings support G1/4" ports.



### ▼ Synchronizable RGB Lighting via Motherboard (4-pin RGB header)

Compatible with the onboard 4-pin RGB header(s) on motherboards.

### ▼ Powerful Pump

NEOChanger is equipped with a powerful pump that can create strong hydraulic head up to 5.2m, which enables DIYers to build a longer, more customized water loop.

**NEOChanger** (at 4000 RPM)

Max. Hydraulic Head

**5.2m**

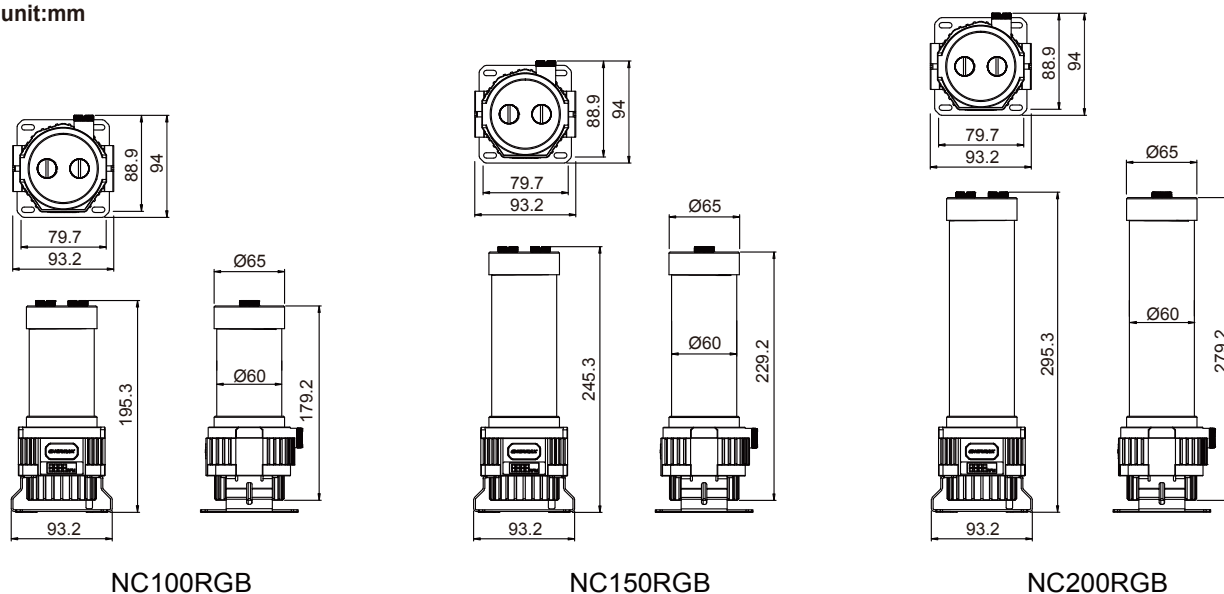
**Other Brand** (at 4500 RPM)

Max. Hydraulic Head

**4.8m**

## Dimensions

unit:mm



## Specifications

Model Number	ELC-NC100RGB	ELC-NC150RGB	ELC-NC200RGB
Dimensions	93.2 x 94 x 195.3 mm	93.2 x 94 x 245.3 mm	93.2 x 94 x 295.3 mm
Capacity	200 ml	300 ml	400 ml
Material	PPS, Aluminum, PMMA		
Maximum Head Delivery	5.2 m		
Maximum Flow Rate	900 L/h		
Input Voltage	12 V		
Connector	SATA		
Pump Speed	1500 ~ 4000 ( ±10%) RPM		
Screw Thread	G1/4"		
Bracket Support	Horizontal, Vertical (pre-installed)		

Shipping Information			
Barcode	EAN: 4713157722775 UPC: 816163008995	EAN: 4713157722782 UPC: 816163009008	EAN: 4713157722799 UPC: 816163009015
Box Dimensions	271 x 125 x 178 mm	321 x 125 x 178 mm	371 x 125 x 178 mm
Gross weight / unit	1.29 kg	1.40 kg	1.51 kg
Catron Dimensions	560 x 375 x 280 mm	665 x 375 x 280 mm	560 x 390 x 280 mm
Q'ty / carton	8	8	6
Gross weight / carton	11.34 kg	12.4 kg	10.05 kg