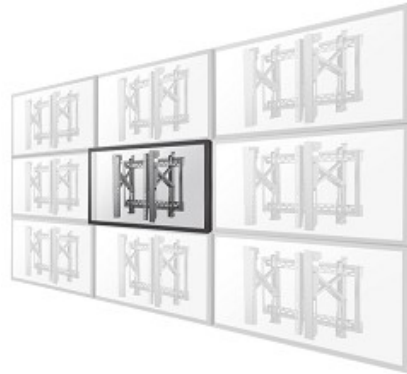




**THE BEST SUPPORT
FOR YOUR AV & IT HARDWARE**
T: + 31(0)23-5478888 | E: info@newstar.eu | W: www.newstar.eu

LED-VW2500BLACK1 NEWSTAR FLAT SCREEN VIDEO WALL MOUNT

NewStar Video Wall Monitor Mount for 32"-75" Screen, horizontal and vertical mounting - Black



SPECIFICATIONS

Cable management	No
Color	Black
Depth	10 - 29 cm
Distance to wall	10 - 29 cm
Height	53 cm
Max. screen size	75
Max. weight	70
Min. screen size	32
Min. weight	0
Rotate (degrees)	6°
Screens	1
Tilt (degrees)	6°
Type	Fixed
VESA maximum	600x400 mm
VESA minimum	200x200 mm
VESA pattern	200x200 200x300 200x400 300x200 300x300 350x350 400x400 400x300 400x600 600x200 600x300 600x400
Warranty	5 year
Width	67 cm
EAN code	8717371448196

The NewStar wall mount, model LED-VW2500BLACK1 is a fixed wall mount for flat screens up to 75" (191 cm). This mount is a great choice when you want the ultimate viewing flexibility with your flat screen. Depth of this mount is 5 to 20 centimetres. This wall mount is specially made to be used in video walls. The screen easily can be pulled out.

NewStar LED-VW2500BLACK1 is suitable for flat screens up to 75" (191 cm), for horizontal and vertical mounting. The weight capacity of this product is 70 kg each screen. The wall mount is suitable for screens that meet VESA hole pattern 200x200 to 600x400mm.

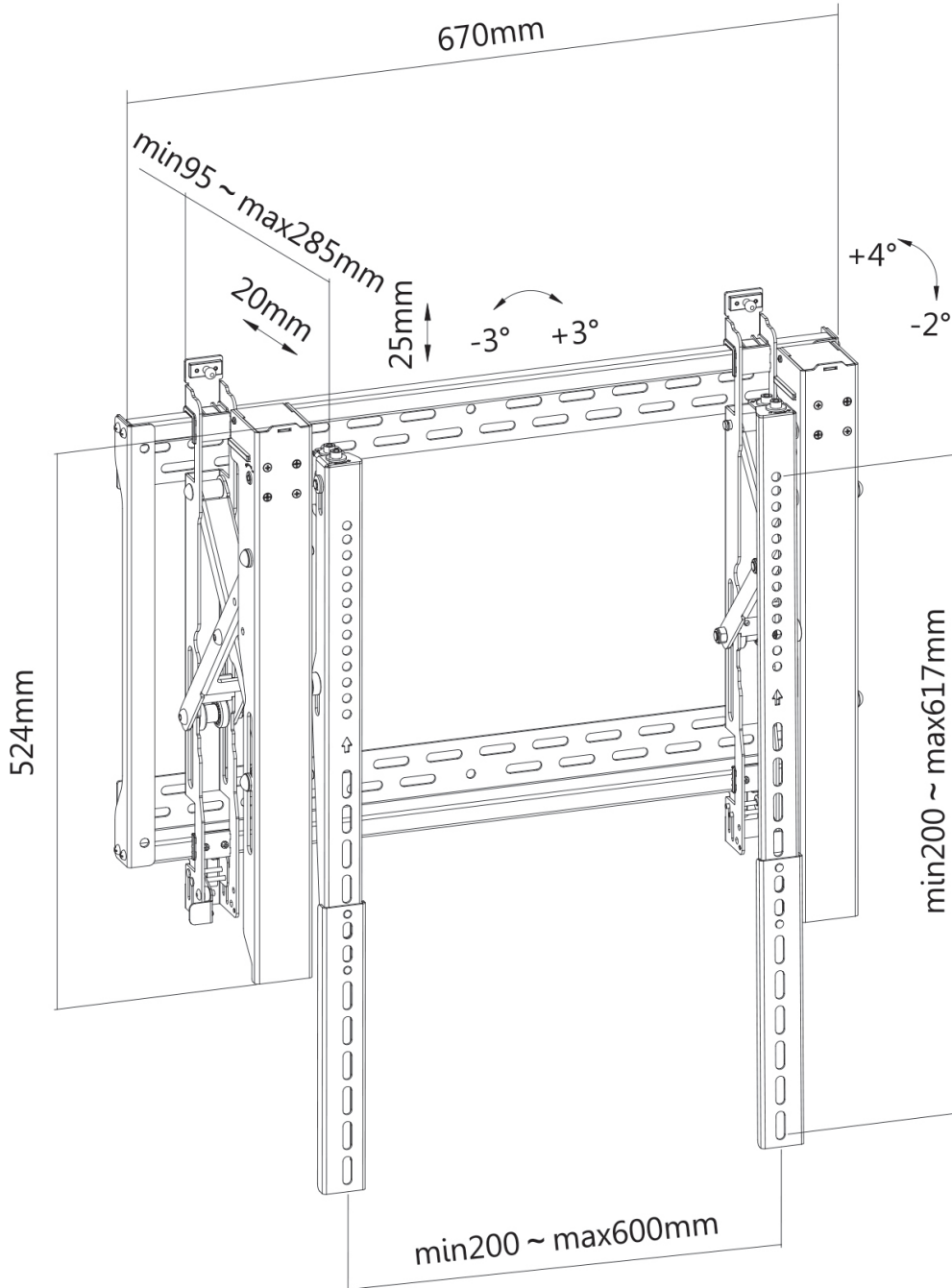
Create a clean design videowall presentation with the NewStar LED-VW2500BLACK1 videowall mount solution!

This is the product refresh of the LED-VW2500BLACK.



**THE BEST SUPPORT
FOR YOUR AV & IT HARDWARE**
T: +31(0)23-5478888 | E: info@newstar.eu | W: www.newstar.eu

LED-VW2500BLACK1 NEWSTAR FLAT SCREEN VIDEO WALL MOUNT



NewStar Products Europe B.V.
Wateringweg 62/B
2031 EJ HAARLEM
THE NETHERLANDS

Phone : +31(0)23-5478888
Fax : +31(0)23-5478889
Email : info@newstar.nl
Website : www.newstar.eu

NewStar cannot be held liable for any inaccuracies and copyrights.
No part of this publication may be reproduced and/or published by print, photocopy, microfilm or in any other way, without prior written permission of NewStar Computer Products Europe BV.