

PART SPECIFICATION FOR APPROVAL

CUSTOMER	Aruba Networks, Inc.
MODEL	SDI30-12-U-P209-C1
DESCRIPTION	ac-dc power supply
DATE	04/17/2018
# OF PAGES	10

rev.	description	date
1.0	initial release	09/24/2015
1.01~ 1.08	see page 10 for full revision history	--
1.09	changed font on individual packaging label	12/16/2016
1.10	added dimensions to dc plug overmold	04/19/2017
1.11	updated BSMI safety mark	07/06/2017
1.12	updated NOM safety mark	04/17/2018

The revision history provided is for informational purposes only and is believed to be accurate.

Please sign below.

approved by _____
(please print)

signature _____

date _____

Specification sign-off verifies that you have reviewed the entire specification and tested this product and that it meets your requirements. This specification reflects the part as it is to be ordered. Orders will not be processed until the specification approval page has been signed and returned to CUI Inc. This specification is confidential and is not to be distributed without prior approval from CUI Inc.

MODEL	output voltage typ (Vdc)	output current max (A)	output power max (W)	ripple and noise ¹ max (mVp-p)	efficiency level ²
SDI30-12-U-P209-C1	12	2.5	30	120	VI

Notes: 1. At full load, 100 ~ 240 Vac input, 20 MHz bandwidth oscilloscope, each output terminated with 47 μ F and 0.1 μ F capacitors.
2. ErP Tier 2 compliant.

INPUT

parameter	conditions/description	min	typ	max	units
voltage		90		264	Vac
frequency		47		63	Hz
current				1.0	A
leakage current				3.5	mA
no load power consumption	Level VI ErP Tier 2			0.1 0.075	W W

OUTPUT

parameter	conditions/description	min	typ	max	units
load regulation			± 5		%

PROTECTIONS

parameter	conditions/description	min	typ	max	units
over voltage protection				16	Vdc
over current protection				4	A
short circuit protection	output shut down and auto restart				

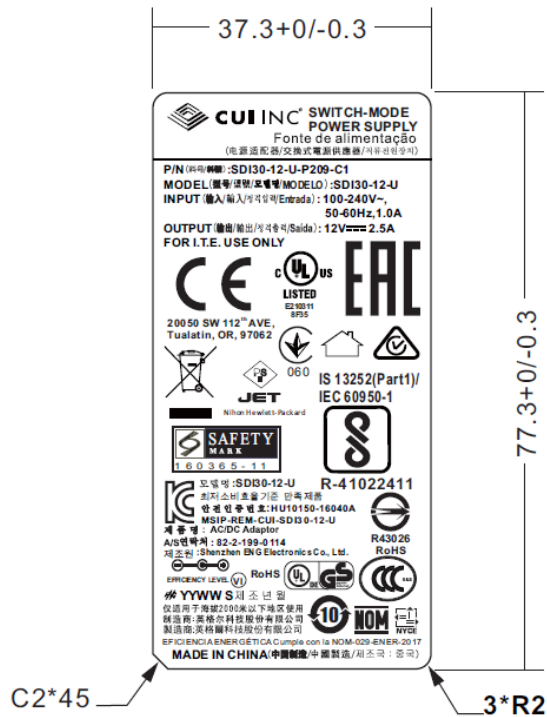
SAFETY & COMPLIANCE

parameter	conditions/description	min	typ	max	units
isolation voltage	input to output at 10 mA for 1 minute		1,500		Vac
insulation resistance	input to output at 500 Vdc	100			M Ω
safety approvals	UL/cUL (North America), GS (Europe), PSE (Japan), BSMI (Taiwan), CCC (China), PSB (Singapore), RCM (Australia), SASO (Arabia), SABS (South Africa), UkrSEPRO (Ukraine), EAC (Russia), NOM (Mexico), KC (Korea)				
EMI/EMC	FCC Part 15 Class B, CE				
surge	L-N: 4 kV/2 Ω ; L-PE: 4 kV/2 Ω ; N-PE: 4 kV/2 Ω				
RoHS	2011/65/EU				

ENVIRONMENTAL

parameter	conditions/description	min	typ	max	units
operating temperature		0		40	$^{\circ}$ C
storage temperature		-10		70	$^{\circ}$ C
operating humidity	non-condensing	20		80	%
storage humidity	non-condensing	10		90	%

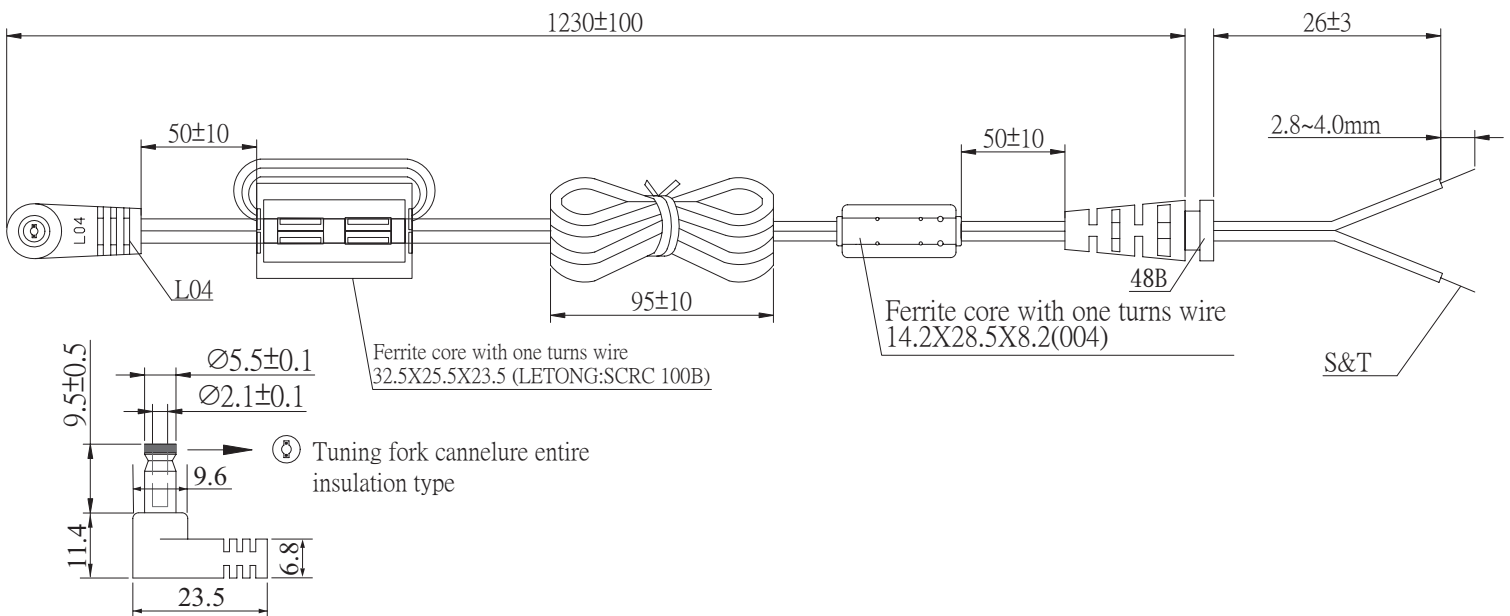
LABEL



material: metalized polyester
color: silver on black base

remarks: YYWW X
YY=production year
WW=production week
X=production location

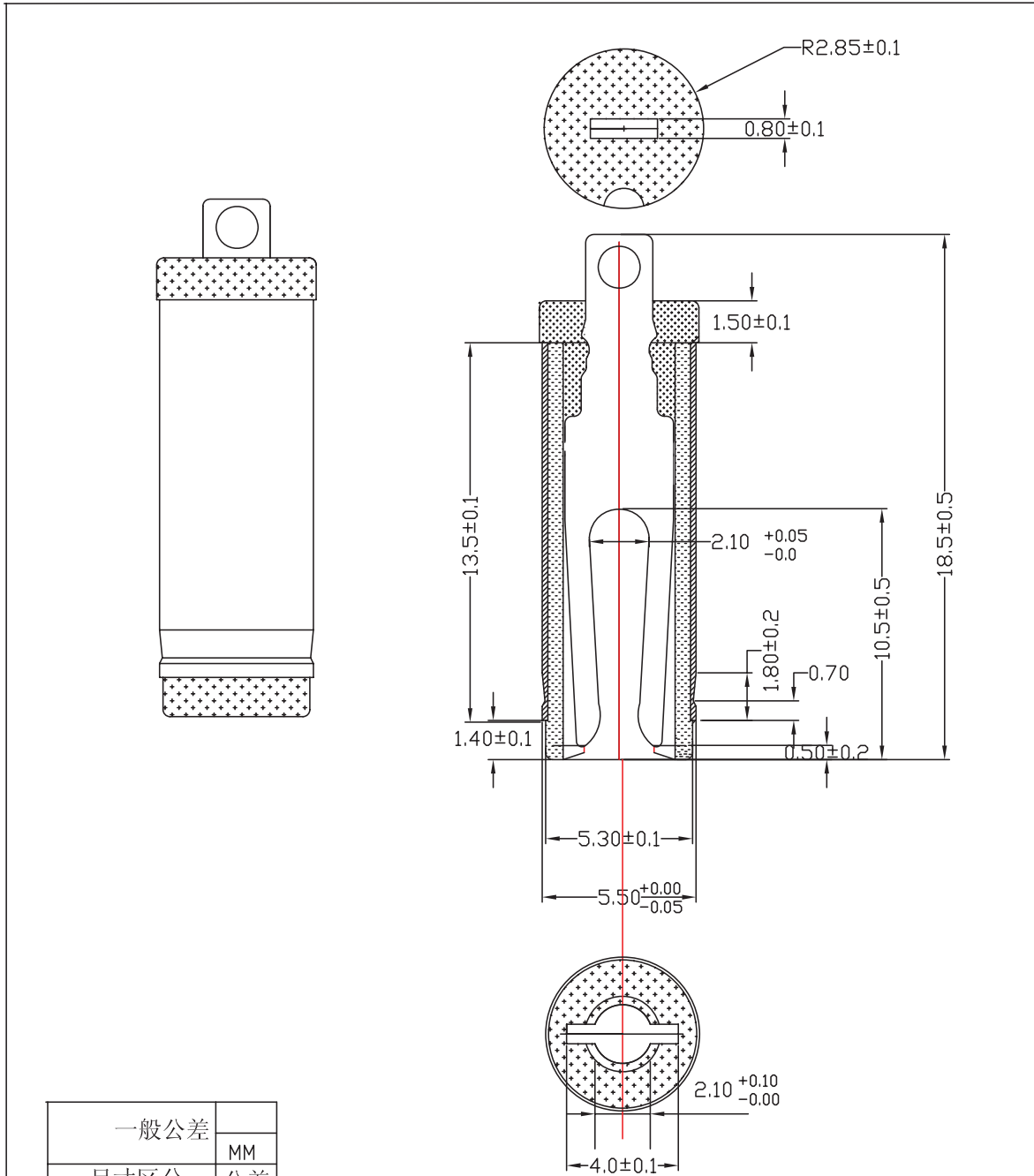
DC CORD



#16AWGX2C UL2468
OD: Ø2.6*5.2

WORDING ON WIRE (-), NO WORDING ON WIRE (+).

DC PLUG



一般公差	MM
尺寸区分	公差
0.5以上1.0以下	±0.1
1.0以上6.0以下	±0.2
6.0以上18.0以下	±0.3
18.0以上40.0以下	±0.4
40.0以上	±0.5

3		绝缘体	POM	黑色	
2		外管	黄铜	镍	2-3um
1		音叉片	磷青铜	镍	2-3um
项目	图面号码	零件名称	材料	镀涂	数量
比例 1:1	单位 MM	共1张之第1张	模号	版次: 1	

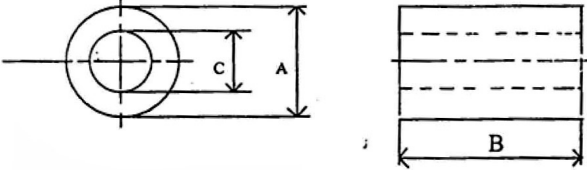
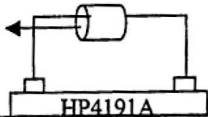
更改记事	核对	日期
设计	绘图	核准
	贾碧君	
	131021	

规格 $\phi 5.5 \times 2.1 \times 18.5$ 音叉叉沟

深圳上合信电子有限公司
SHENZHEN SHANG HOHSIN ELECTRON CO., LTD

FERRITE BEAD

URITE CORPORATION
SPECIFICATION FOR APPROVAL

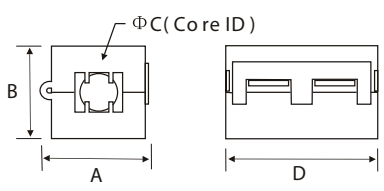
CUSTOMER: 和展		CUSTOMER'S PART NO.	
ITEM: F5B RH 14.2*28.5*8.2			
(1) DIMENSION (UNIT : m/m) 		A	14.2 +\ - 0.40 m/m
		B	28.50 +\ - 0.60 m/m
		C	8.2 +\ - 0.40 m/m
		D	m/m
		E	m/m
		F	m/m
		G	m/m
		H	m/m
		(2) ELECTRICAL REQUIREMENTS :	
L		TEST FREQ	KHZ MHZ
C		TEST FREQ	KHZ MHZ
Z1	75 OHMS MIN.	TEST FREQ	KHZ 25 MHZ
Z2	130 OHMS MIN.	TEST FREQ	KHZ 100 MHZ
Z3	OHMS MIN.	TEST FREQ	KHZ MHZ
DATA	OHMS MIN.	TEST FREQ	KHZ MHZ
WINDING : 0.65φ*0.5TS*100L(mm)		TEST INSTRUMENTS	
		1. Q-METER : ○ HP4342A ○ MQ-171	
		2. L.C.R. METER : ○ HP4284A	
		3. IMPEDANCE ANALYZER : ○ HP4286A ○ HP4192A ● HP4191A	
		4. GRID DIP METER : ○ WB-200	
		5. DIGITAL MINI-OHM METER : ○ VP2941A	
		6. CHEN HWA CDC-301 ○	
		7. CHEN HWA 100 LCR METER ○	
CORE 		尊敬的客户： 请确认好此份承认书后及时回签一份予我司；若未签回，后续订单以此份承认书为出货检验标准。谢谢！	
DRAWN	CHECKED	APPROVED	ISSUED NO.
DATE	DATE	DATE	

URBP-017-024A

FERRITE BEAD (CONTINUED)

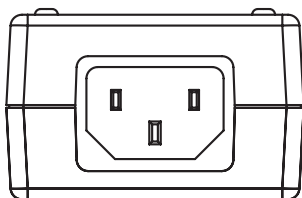
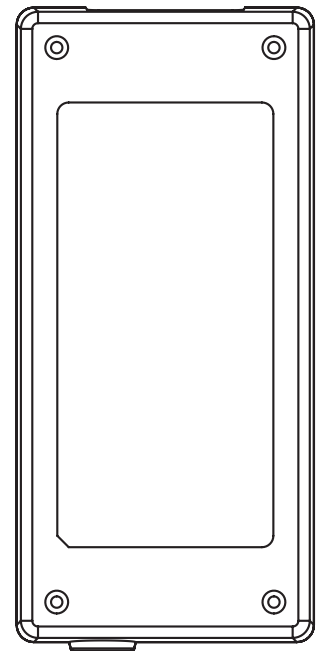
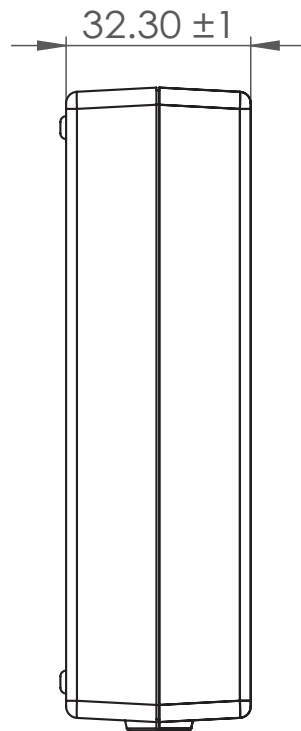
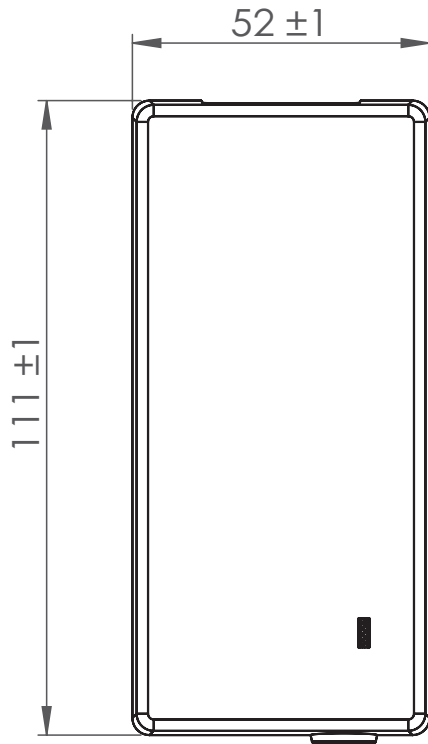
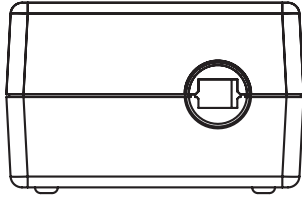
承認書

SPECIFICATION FOR APPROVAL

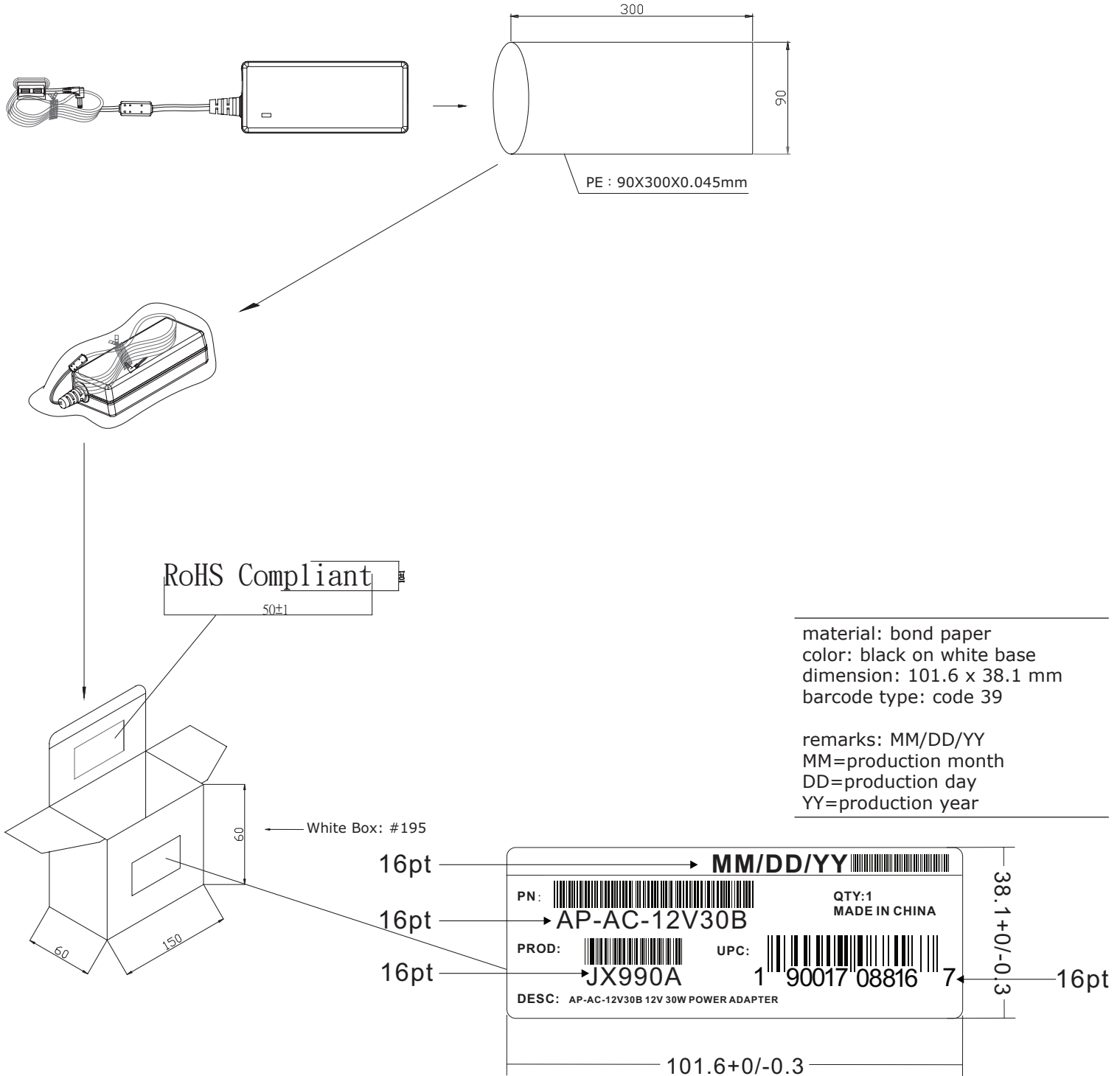
客戶名稱 CUSTOMER	和展電子	日期 DATE	2016.05.10										
規格 ITEM	SCRC 100B	編號 SERIAL NO.	NO:16005010406										
1. 形狀尺寸(單位/毫米): SHAPE & DIMENSION(unit/mm):		A	25.5 ± 1.0 mm										
		B	23.5 ± 1.0 mm										
		C	10 ± 1.0mm										
		D	32.5 ± 1.0 mm										
		E											
		F											
		G											
		H											
		2. 電氣性能檢測項目: ELECTRICAL REQUIREMENTS:		測試儀器 TEST INSTRUMENTS									
<input type="checkbox"/> L		TEST FREQ	KHZ MHZ										
<input type="checkbox"/> Q		TEST FREQ	KHZ MHZ										
<input checked="" type="checkbox"/> Z	Z1= 80Ω MIN	KHZ 25 MHZ	Z2=240Ω MIN	KHZ 100 MHZ									
	Z3= /	KHZ MHZ	Z4= /	KHZ MHZ									
溫度 TEMP	℃	濕度 HUMIDITY	%										
綫組 WINDING		Φ0.65x0.5TSx100L(mm)											
3. 外觀: THE LIMIT OF BREAKAGE:		1. Q-METER: ○HP 4342A ○MQ-172											
<table border="1" style="width: 100%; border-collapse: collapse;"> <thead> <tr> <th style="width: 50%;">項目 Item</th> <th style="width: 50%;">標準值 Standard Value</th> </tr> </thead> <tbody> <tr> <td>一處缺陷的面積 Area of a breakage</td> <td style="text-align: center;">≤ 1mm²</td> </tr> <tr> <td>總缺陷面積 All area of the breakage</td> <td style="text-align: center;">≤ 2mm²</td> </tr> <tr> <td>缺陷深度 The depth of the breakage</td> <td style="text-align: center;">≤ 0.4mm</td> </tr> <tr> <td>毛刺長度 The length of burr</td> <td style="text-align: center;">≤ 0.2mm</td> </tr> </tbody> </table>		項目 Item	標準值 Standard Value	一處缺陷的面積 Area of a breakage	≤ 1mm ²	總缺陷面積 All area of the breakage	≤ 2mm ²	缺陷深度 The depth of the breakage	≤ 0.4mm	毛刺長度 The length of burr	≤ 0.2mm	2. L.C.R . METER: ○HP 4284A	
		項目 Item	標準值 Standard Value										
		一處缺陷的面積 Area of a breakage	≤ 1mm ²										
		總缺陷面積 All area of the breakage	≤ 2mm ²										
		缺陷深度 The depth of the breakage	≤ 0.4mm										
毛刺長度 The length of burr	≤ 0.2mm												
3. IMPEDANCE ANALYZER: ○HP 4192A ○AG4396B ○HP4192B													
4. L-METER: ○TH 2775B													
5. DIGITAL MINI-OHM METER: ○VP2941A													
4. 包裝: PACKAGING:													
內包裝採用泡塑盒，外包裝採用紙箱，每箱產品外面都蓋上合格章(包括品名、數量、批號、檢驗員)。 Inner packing adopts foam plastics box, outer packing adopts carton and each carton should have a qualified chapter label outside(include the variety, quantity, batch number and inspector).													

MECHANICAL DRAWING

input plug	IEC320/C14
case size	111 L x 52 W x 32.3 H mm tolerance: ± 1 mm



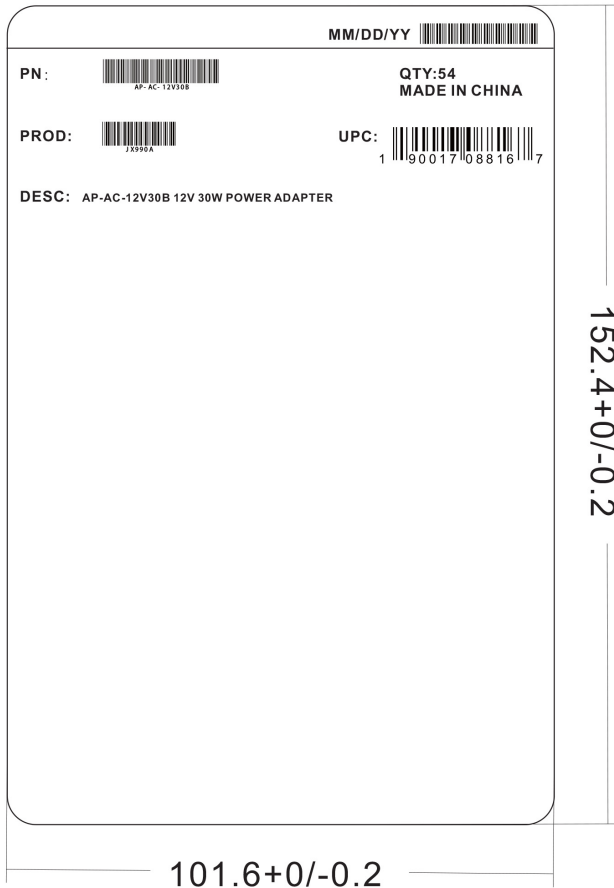
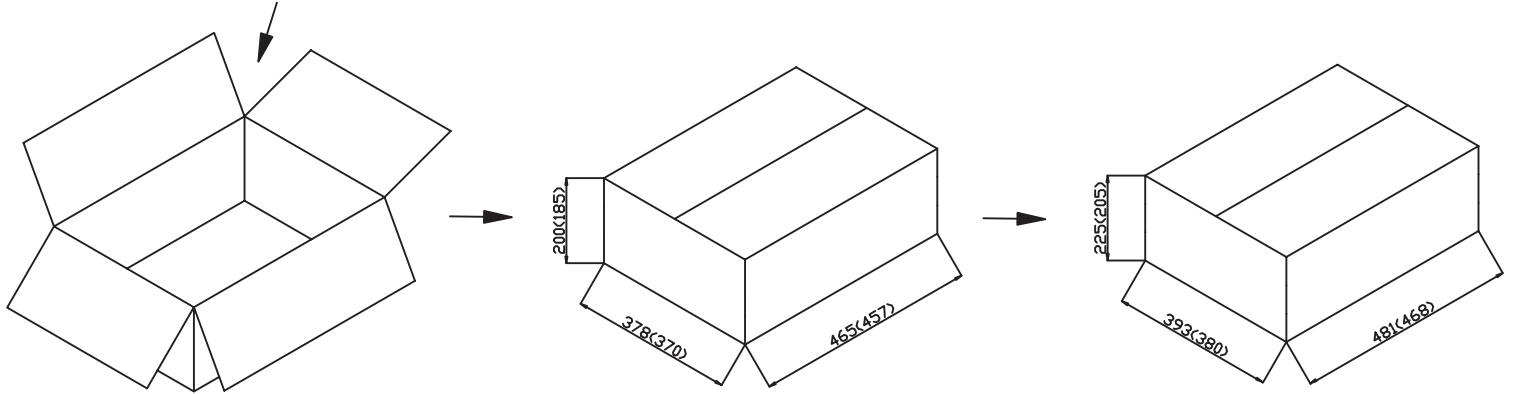
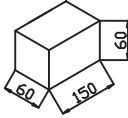
IND PACKAGING



PACKAGING

External Carton Material: A=B (6 mm)
 Internal Carton Material: B3B (3 mm)
 Carton Size: 481 x 393 x 225 mm
 QTY: 54 pcs (18 x 3)
 N.W: 15.1 KGS
 G.W: 17.1 KGS
 G.W: 17.9 KGS

tolerance	+7/-0 mm
-----------	----------



material: bond paper
 color: black on white base
 dimension: 101.6 x 152.4 mm
 barcode type: code 39

REVISION HISTORY

rev.	description	date
1.0	initial release	09/24/2015
1.01	changed to right angle plug	10/15/2015
1.02	updated plug drawing	11/11/2015
1.03	changed part number	11/25/2015
1.04	added dc plug and ferrite bead drawings	04/13/2016
1.05	added ferrite bead	05/10/2016
1.06	added safety approvals, updated dc cord drawing	05/13/2016
1.07	removed Brazil and Argentina safety approvals	06/16/2016
1.08	updated safety label, added packaging labels	08/03/2016
1.09	changed font on individual packaging label	12/16/2016
1.10	added dimensions to dc plug overmold	04/19/2017
1.11	updated BSMI safety mark	07/06/2017
1.12	updated NOM safety mark	04/17/2018

The revision history provided is for informational purposes only and is believed to be accurate.



CUI INC[®]

Headquarters
20050 SW 112th Ave.
Tualatin, OR 97062
800.275.4899

Fax 503.612.2383
cui.com
techsupport@cui.com

This device complies with part 15 of the FCC Rules. Operation is subject to the following two conditions:

- (1) This device may not cause harmful interference, and
- (2) this device must accept any interference received, including interference that may cause undesired operation.

CUI offers a one (1) year limited warranty. Complete warranty information is listed on our website.

CUI reserves the right to make changes to the product at any time without notice. Information provided by CUI is believed to be accurate and reliable. However, no responsibility is assumed by CUI for its use, nor for any infringements of patents or other rights of third parties which may result from its use.

CUI products are not authorized or warranted for use as critical components in equipment that requires an extremely high level of reliability. A critical component is any component of a life support device or system whose failure to perform can be reasonably expected to cause the failure of the life support device or system, or to affect its safety or effectiveness.