



PointWrite

Virtual Interactive Whiteboard

Key features

- Supports up to 4 pens/fingers writing simultaneously
- Dual screen touch for ultra wide working space.
- Effortless setup with only 1 second auto calibration*
- An ultra-fast 0.016-second response time for a smooth writing experience
- Optional finger touch capability
- Win8 gesture and multitouch supported.



PointWrite PW02 module

Model name	PW02
Compatible projector	BenQ 0.6ST series model
Technology	Infrared
Multi pen supported	Up to 4 Pens
Response time	0.016Sec
Refresh Rate	60 Frames/Sec
Calibration	Auto/ Manual
Connection to PC	USB 2.0
Power supply	5V 500mA, USB Power/Type mini B
Power consumption	Max 250mA
Working area	Max 150" projection size.
USB cable distance	Max 15meter (5meter USB cable + Repeater)
Dimension	71*29*86.3mm
Weight	32g

PointWrite Pen

Battery type	1.5v 3A Battery x2
Dimension	153mm(L) x 14.5mm(R)
Weight	80g(Battery included)




Packing	PointWrite module *1, PointWrite Pen *2, screw *2(fix to Projector), AAA battery *4, , alternative pen nib*5 ,USB cable *1(5m, minB to A), CD*1(UM, PointWrite, Qwrite,Qplayer), Quick installation guide*1, Wrist strip*2
QSG(21 languages)	Arabic, Czech, German, English, European Spanish, European French, Italian, Japanese, Korean, Dutch, Polish, European Portuguese, Russian, Simplified Chinese, Swedish, Traditional Chinese, Thai, Turkish, Finnish, Norwegian, Romanian.
User's manual(26 languages)	Arabic, Czech, German, English, European Spanish, European French, Italian, Japanese, Korean, Dutch, Polish, European Portuguese, Russian, Simplified Chinese, Swedish, Traditional Chinese, Thai, Turkish, Bulgarian, Greek, Croatian, Hungarian, Indonesian, Romanian, Finnish, Norwegian

* the speed of auto calibration will depends on CPU power of computer

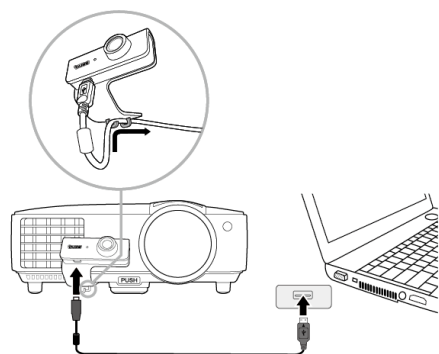
PointWrite Virtual Interactive Whiteboard

software

Software information

Calibration software	 PointWrite	
Interactive software	 QWrite	 QPlayer
Operating system supported	Windows	XP, Vista, Win7, Win8, Win8.1
	MAC OSX	10.6, 10.7, 10.8, 10.9
	Linux ubuntu	10.4, 12.04, 14.04 <small>*Touch function dose not support</small>
	<small>**QWrite will be simple version in Mac and Linux.</small>	
Languages supported(21)	English, Japanese, Simple Chinese, Traditional Chinese, Danish, German, European Spanish, European French, Italian, Bulgarian Polish Portuguese Persian Russian Indonesian Korean Czech, Finnish, Norwegian, Swedish,Romanian	
Min. system requirements	CPU: Pentium/ RAM: 512MB/ Hard Disk: 20MB/ USB: USB 2.0	

connection



dimension



Certification.

CE/FCC/IC/BSMI/KCC

Purchase information

PontWrite kit (10kit/Carton)

PN: 5J.J9A26.12E

PontWrite Pen only (20Pen/Carton)

PN: 5J.J9A26.00I

Pen*1, Wrist strip*1, Pen nib*5, AAA Battery*2





BenQ Scalable Interactive System

BenQ PointWrite interactive projectors turn any surface into an interactive whiteboard by utilizing an innovative infrared technology to detect transmitter light emitted from the PointWrite Pen or touch module that enable the camera to detect the finger or object movements. This allows teachers to invite students up to the board to make notes, answer questions, or collaborate on digital paintings, sparking creativity, imagination and lots of fun. Easy to set up and flexible to use, these education projectors make a cost-efficient and affordable option for every classroom.

Scalable dual screen and finger touch capability.



Optional PT01 touch module
PN: 5J.J826.10E

