



*Internationally Recognized
Technically Advanced
Innovative Products*

INNOVATION ✦ RELIABILITY ✦ QUALITY ✦ PERFORMANCE ✦ INNOVATION ✦ RELIABILITY ✦ QUALITY ✦ PERFORMANCE ✦ INNOVATION ✦ RELIABILITY ✦ QUALITY ✦ PERFORMANCE

***GTI
BAR SUPPORT
PRODUCTS***



GENERAL TECHNOLOGIES, INC.[®]



GTI Composite PC Chairs™

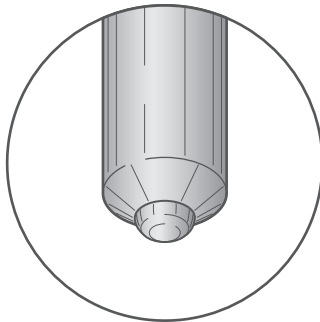
Internationally Recognized
Technically Advanced
Innovative Products

INNOVATION ♦ RELIABILITY ♦ QUALITY ♦ PERFORMANCE ♦ INNOVATION ♦ RELIABILITY ♦ QUALITY ♦ PERFORMANCE ♦ INNOVATION ♦ RELIABILITY ♦ QUALITY ♦ PERFORMANCE

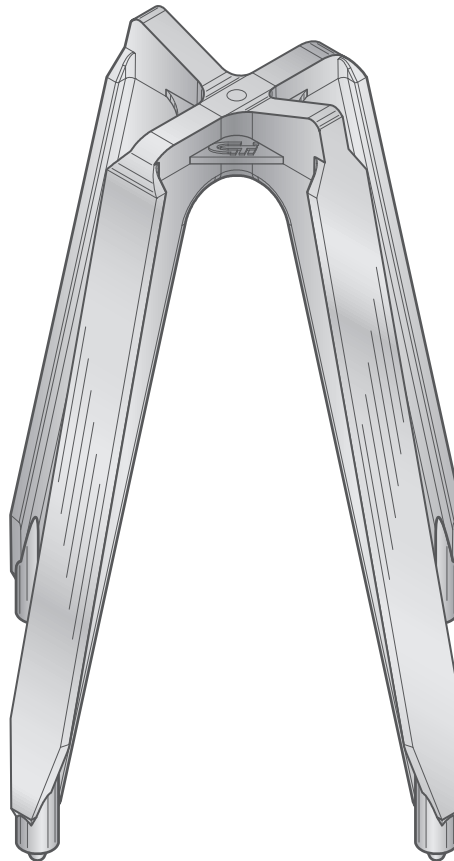
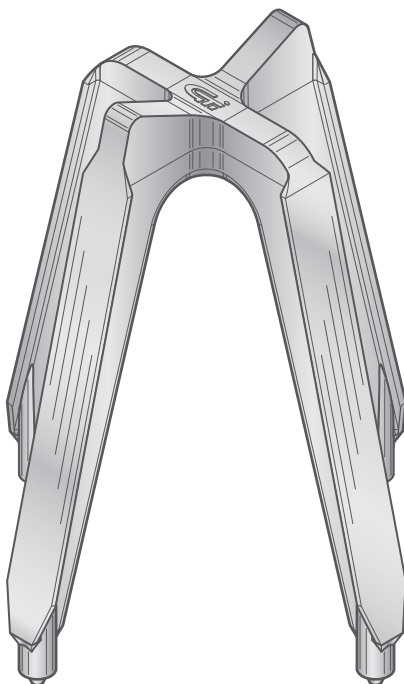
Primary Uses: Precast Concrete Slab and Wall Panels
Tilt-up Concrete Wall Panels
Elevated Slabs

Size: From 3/4" to 12 1/2" (1/4" increments)

- Features:**
- Grey or black
 - Ball on foot does not damage form work
 - Ball is virtually invisible on concrete surface
 - Designed for maximum aggregate flow and concrete consolidation
 - Will cradle all sizes of reinforcing bars
 - Larger stable footprint
 - The strongest chair in the industry



Detail of Ball Foot



SIZE	PART NO. BLACK	PART NO. GREY
3/4"	214075	216075
1"	214100	216100
1 1/4"	214125	216125
1 1/2"	214150	216150
1 3/4"	214175	216175
2"	214200	216200
2 1/4"	214225	216225
2 1/2"	214250	216250
2 3/4"	214275	216275
3"	214300	216300
3 1/4"	214325	216325
3 1/2"	214350	216350
3 3/4"	214375	216375
4"	214400	216400
4 1/4"	214425	216425
4 1/2"	214450	216450
4 3/4"	214475	216475
5"	214500	216500
5 1/4"	214525	216525
5 1/2"	214550	216550
5 3/4"	214575	216575
6"	214600	216600
6 1/4"	214625	216625
6 1/2"	214650	216650
6 3/4"	214675	216675
7"	214700	216700
7 1/4"	214725	216725
7 1/2"	214750	216750
7 3/4"	214775	216775
8"	214800	216800
8 1/4"	214825	216825
8 1/2"	214850	216850
8 3/4"	214875	216875
9"	214900	216900
9 1/4"	214925	216925
9 1/2"	214950	216950
9 3/4"	214975	216975
10"	214980	216980
10 1/4"	214981	216981
10 1/2"	214982	216982
10 3/4"	214983	216983
11"	214984	216984
11 1/4"	214985	216985
11 1/2"	214986	216986
11 3/4"	214987	216987
12"	214988	216988
12 1/4"	214989	216989
12 1/2"	214990	216990

PRODUCT APPLICATIONS

DOT PC PT SOG SE TU

Note: Sand Plate available. See page 3



GTI Composite Stack Chairs™

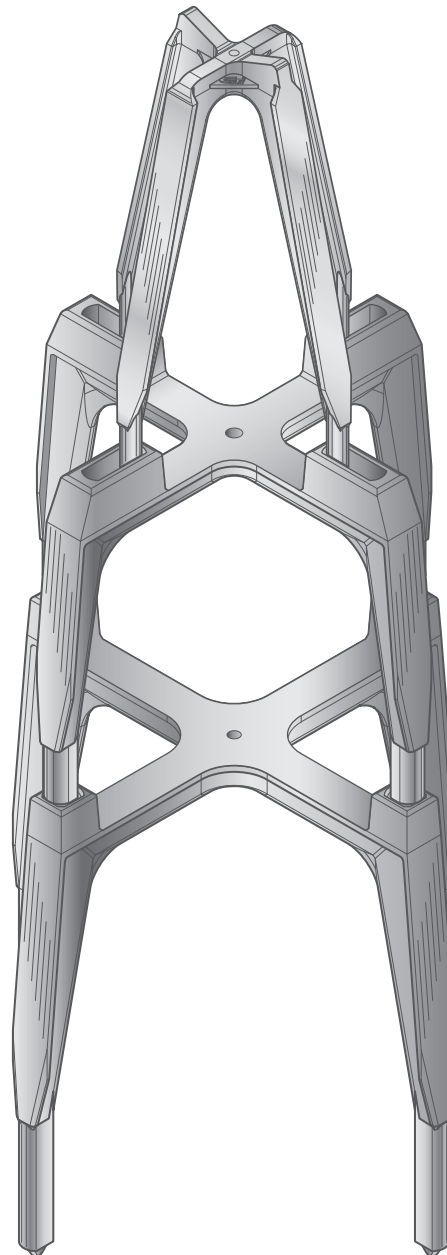
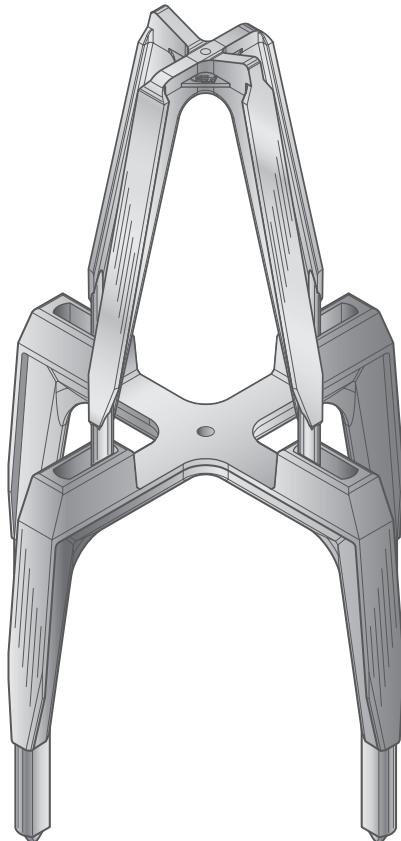
Internationally Recognized
Technically Advanced
Innovative Products

INNOVATION ♦ RELIABILITY ♦ QUALITY ♦ PERFORMANCE ♦ INNOVATION ♦ RELIABILITY ♦ QUALITY ♦ PERFORMANCE ♦ INNOVATION ♦ RELIABILITY ♦ QUALITY ♦ PERFORMANCE

Primary Uses: Top Layer Double Mat Support - PT, Rebar or Wire Mesh
Tilt-up Concrete Wall Panels

Size: From 12³/₄" to 26¹/₂" (in 1/4" increments)

- Features:**
- Points on legs assure minimal surface contact and become virtually invisible
 - Designed for maximum aggregate flow and concrete consolidation
 - Will cradle all sizes of reinforcing bars
 - Larger, more stable footprint



2-PIECE CHAIRS

SIZE	PART NO.
12 ³ / ₄ "	291275
13"	291300
13 ¹ / ₄ "	291325
13 ¹ / ₂ "	291350
13 ³ / ₄ "	291375
14"	291400
14 ¹ / ₄ "	291425
14 ¹ / ₂ "	291450
14 ³ / ₄ "	291475
15"	291500
15 ¹ / ₄ "	291525
15 ¹ / ₂ "	291550
15 ³ / ₄ "	291575
16"	291600
16 ¹ / ₄ "	291625
16 ¹ / ₂ "	291650
16 ³ / ₄ "	291675
17"	291700
17 ¹ / ₄ "	291725
17 ¹ / ₂ "	291750
17 ³ / ₄ "	291775
18"	291800

3-PIECE CHAIRS

SIZE	PART NO.
18 ¹ / ₄ "	291825
18 ¹ / ₂ "	291850
18 ³ / ₄ "	291875
19"	291900
19 ¹ / ₄ "	291925
19 ¹ / ₂ "	291950
19 ³ / ₄ "	291975
20"	292000
20 ¹ / ₄ "	292025
20 ¹ / ₂ "	292050
20 ³ / ₄ "	292075
21"	292100
21 ¹ / ₄ "	292125
21 ¹ / ₂ "	292150
21 ³ / ₄ "	292175
22"	292200
22 ¹ / ₄ "	292225
22 ¹ / ₂ "	292250
22 ³ / ₄ "	292275
23"	292300
23 ¹ / ₄ "	292325
23 ¹ / ₂ "	292350
23 ³ / ₄ "	292375
24"	292400
24 ¹ / ₄ "	292425
24 ¹ / ₂ "	292450
24 ³ / ₄ "	292475
25"	292500
25 ¹ / ₄ "	292525
25 ¹ / ₂ "	292550
25 ³ / ₄ "	292575
26"	292600
26 ¹ / ₄ "	292625
26 ¹ / ₂ "	292650

PRODUCT APPLICATIONS

DOT PC PT SE TU SOG



GTI Composite Bar Chairs & GTI Composite High Chairs

Internationally Recognized
Technically Advanced
Innovative Products

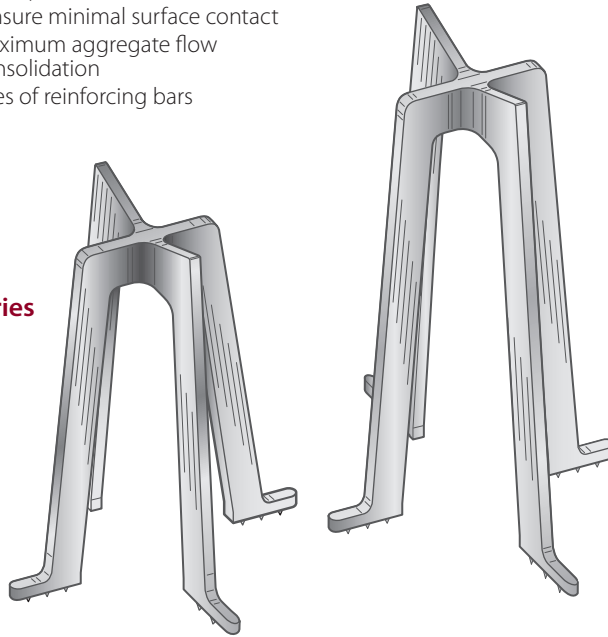
INNOVATION ♦ RELIABILITY ♦ QUALITY ♦ PERFORMANCE ♦ INNOVATION ♦ RELIABILITY ♦ QUALITY ♦ PERFORMANCE ♦ INNOVATION ♦ RELIABILITY ♦ QUALITY ♦ PERFORMANCE

Primary Uses: Single Mat Support - PT, Rebar or Wire Mesh
Bottom Layer Double Mat Support - PT, Rebar or Wire Mesh
Slab-on-Grade using a Sand Plate

Sizes: From 1/2" to 10" (1/4" increments)

- Features:**
- Feet that can be stapled
 - Points on legs ensure minimal surface contact
 - Designed for maximum aggregate flow and concrete consolidation
 - Will cradle all sizes of reinforcing bars

208 Series



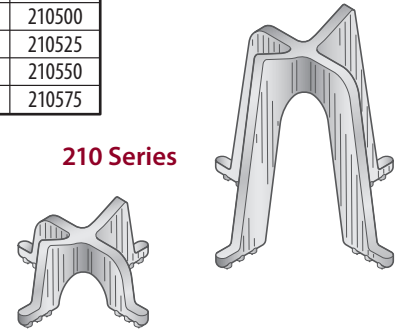
PRODUCT APPLICATIONS

DOT PC PT SOG SE

SIZE	PART NO.
1/2"	210050
3/4"	210075
1"	210100
1 1/4"	210125
1 1/2"	210150
1 3/4"	210175
2"	210200
2 1/4"	210225
2 1/2"	210250
2 3/4"	210275
3"	210300
3 1/4"	210325
3 1/2"	210350
3 3/4"	210375
4"	210400
4 1/4"	210425
4 1/2"	210450
4 3/4"	210475
5"	210500
5 1/4"	210525
5 1/2"	210550
5 3/4"	210575

SIZE	PART NO.
6"	208600
6 1/4"	208625
6 1/2"	208650
6 3/4"	208675
7"	208700
7 1/4"	208725
7 1/2"	208750
7 3/4"	208775
8"	208800
8 1/4"	208825
8 1/2"	208850
8 3/4"	208875
9"	208900
9 1/4"	208925
9 1/2"	208950
9 3/4"	208975
10"	208101

210 Series

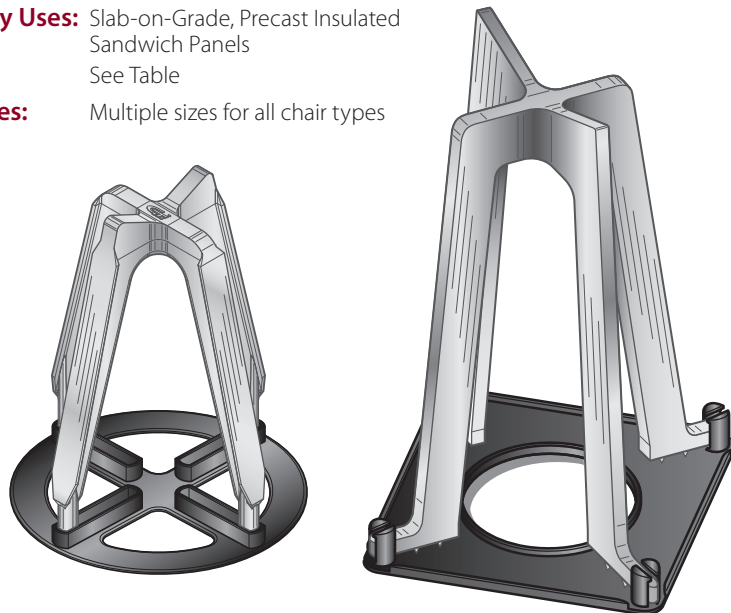


GTI Sand Plates

Primary Uses: Slab-on-Grade, Precast Insulated Sandwich Panels

Size: See Table

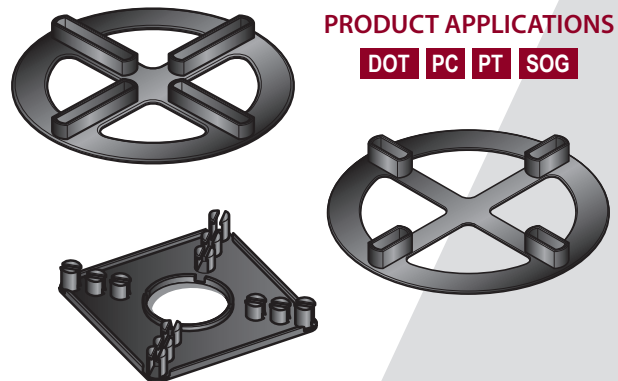
Features: Multiple sizes for all chair types



PART NO.	208 SERIES	210 SERIES	216 SERIES
210001	na	1" - 4 3/4"	
208002	6 1/4" - 10"	5" - 6"	
216001			3/4" - 4 1/2"
216002			4 3/4" - 8 1/2"
216003			> 8 1/2"

PRODUCT APPLICATIONS

DOT PC PT SOG





GTI Composite Slab/Beam Bolsters[®]

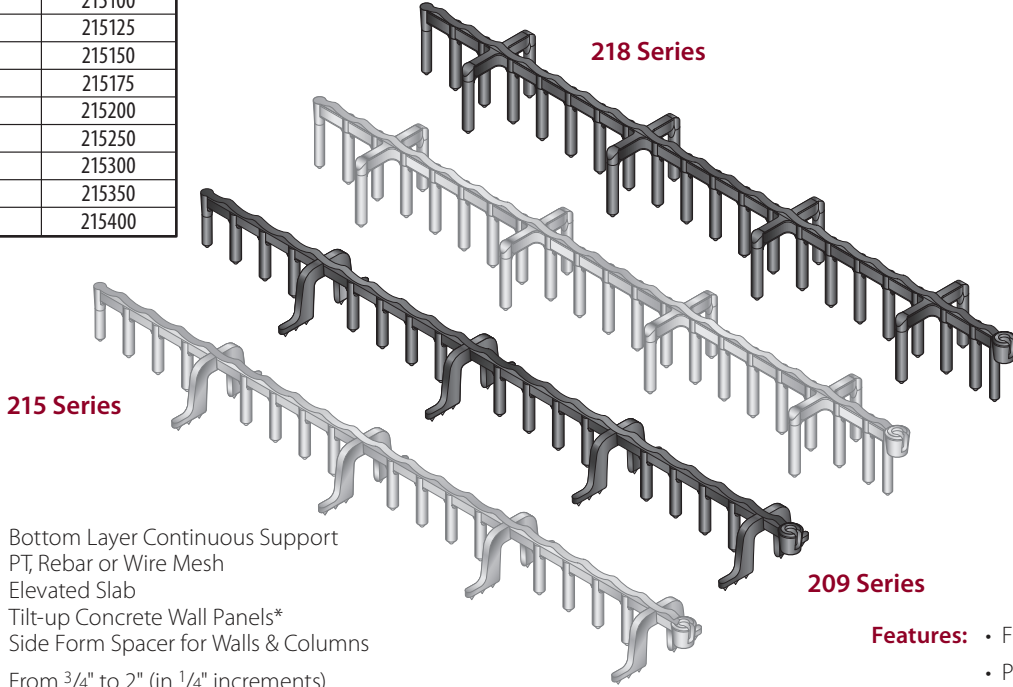
Internationally Recognized
Technically Advanced
Innovative Products

INNOVATION ♦ RELIABILITY ♦ QUALITY ♦ PERFORMANCE ♦ INNOVATION ♦ RELIABILITY ♦ QUALITY ♦ PERFORMANCE ♦ INNOVATION ♦ RELIABILITY ♦ QUALITY ♦ PERFORMANCE

SIZE	PART NO. BLACK	PART NO. GREY
3/4"	209075	215075
1"	209100	215100
1 1/4"	209125	215125
1 1/2"	209150	215150
1 3/4"	209175	215175
2"	209200	215200
2 1/2"	209250	215250
3"	209300	215300
3 1/2"	209350	215350
4"	209400	215400

PRODUCT APPLICATIONS

DOT PC PT SE TU WC



Primary Uses: Bottom Layer Continuous Support
PT, Rebar or Wire Mesh
Elevated Slab
Tilt-up Concrete Wall Panels*
Side Form Spacer for Walls & Columns

Size: From 3/4" to 2" (in 1/4" increments)
209 and 215 series from 2 1/2" to 4" (in 1/2" increments)
218 series from 3/4" to 6" (in 1/4" increments)

SIZE	PART NO. BLACK	PART NO. GREY
3/4"	218007	218075
1"	218010	218100
1 1/4"	218012	218125
1 1/2"	218015	218150
1 3/4"	218017	218175
2"	218020	218200
2 1/4"	218022	218225
2 1/2"	218025	218250
2 3/4"	218027	218275
3"	218030	218300
3 1/4"	218032	218325
3 1/2"	218035	218350
3 3/4"	218037	218375
4"	218040	218400
4 1/4"	218042	218425
4 1/2"	218045	218450
4 3/4"	218047	218475
5"	218050	218500
5 1/4"	218052	218525
5 1/2"	218055	218550
5 3/4"	218057	218575
6"	218060	218600

Features:

- Feet for 209/215 series can be stapled
- Points on legs assure minimal surface contact for the 218 series.
- Manufactured in 5'0" lengths

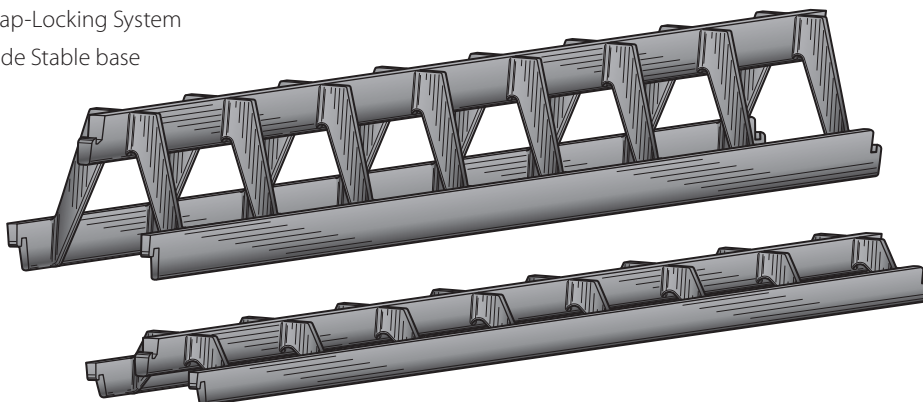
GTI Slab Bolster Upper

Primary Uses: Top Layer Double Mat Support - PT, Rebar or Wire Mesh

Size: From 1" to 4" x 5' Long

Features:

- Continuous Runner
- Designed for maximum aggregated flow and concrete consolidation
- Snap-Locking System
- Wide Stable base



SIZE	PART NO.
1"	260100
1 1/4"	260125
1 1/2"	260150
1 3/4"	260175
2"	260200
2 1/4"	260225
2 1/2"	260250
3"	260300
4"	260400

PRODUCT APPLICATIONS

DOT PC PT SOG SE TU



GTI Single Lock Paving Chairs[®]

Internationally Recognized
Technically Advanced
Innovative Products

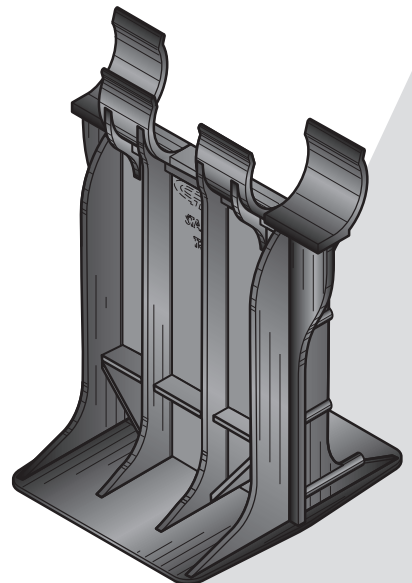
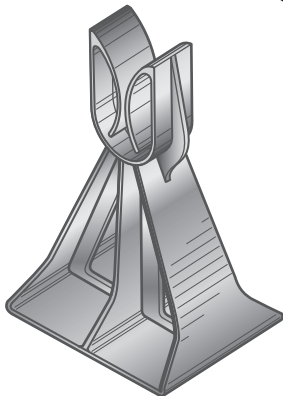
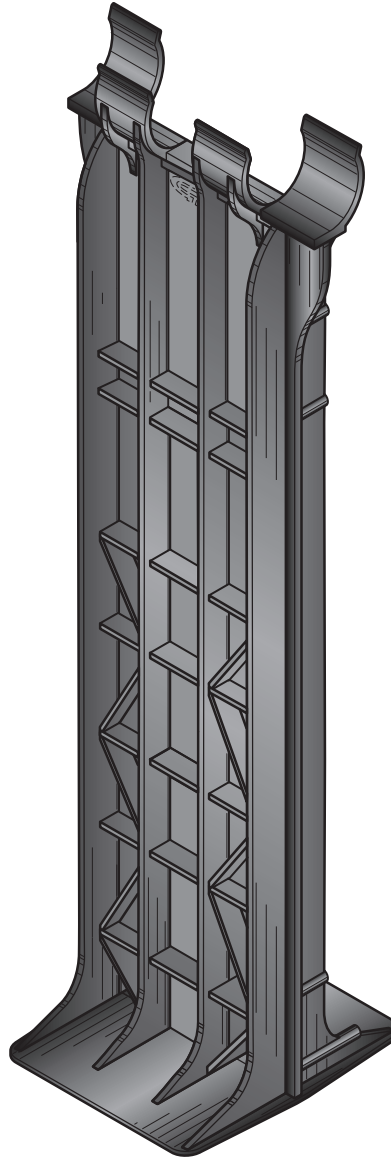
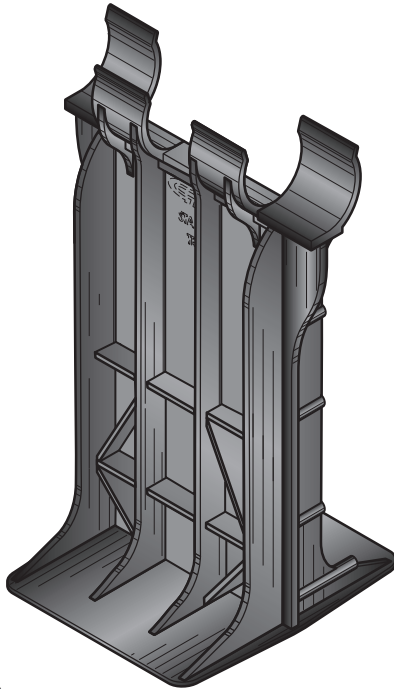
INNOVATION ♦ RELIABILITY ♦ QUALITY ♦ PERFORMANCE ♦ INNOVATION ♦ RELIABILITY ♦ QUALITY ♦ PERFORMANCE ♦ INNOVATION ♦ RELIABILITY ♦ QUALITY ♦ PERFORMANCE

Primary Uses: Slab-on-Grade - Rebar, PT
Single Mat - Rebar
City, County & Highway Paving
Bottom Layer Double Mat Support - Rebar
Top Layer Double Mat Support - Rebar

Size: From 2³/₄" to 10³/₄" (1/4" increments)

- Features:**
- Fits #5 or #6 Rebar
 - Built-in Base Plate
 - May also be used to support 1/2" PT Cable

SIZE	PART NO.#5	PART NO.#6
2 ³ / ₄ "	212327	212527
3"	212330	212530
3 ¹ / ₄ "	212332	212532
3 ¹ / ₂ "	212335	212535
3 ³ / ₄ "	212337	212537
4"	212340	212540
4 ¹ / ₄ "	212342	212542
4 ¹ / ₂ "	212345	212545
4 ³ / ₄ "	212347	212547
5"	212350	212550
5 ¹ / ₄ "	212352	212552
5 ¹ / ₂ "	212355	212555
5 ³ / ₄ "	212357	212557
6"	212360	212560
6 ¹ / ₄ "	212362	212562
6 ¹ / ₂ "	212365	212565
6 ³ / ₄ "	212367	212567
7"	212370	212570
7 ¹ / ₄ "	212372	212572
7 ¹ / ₂ "	212375	212575
7 ³ / ₄ "	212377	212577
8"	212380	212580
8 ¹ / ₄ "	212382	212582
8 ¹ / ₂ "	212385	212585
8 ³ / ₄ "	212387	212587
9"	212390	212590
9 ¹ / ₄ "	212392	212592
9 ¹ / ₂ "	212395	212595
9 ³ / ₄ "	212397	212597
10"	212310	212510
10 ¹ / ₄ "	212312	212512
10 ¹ / ₂ "	212315	212515
10 ³ / ₄ "	212317	212517



GTI ECONOMY PAVING CHAIRS	
SIZE	PART NO.
2 ¹ / ₄ "	212225
3 ¹ / ₄ "	212325

Primary Uses: Driveways, Sidewalks,
City/County Paving,
Slab on Grade

- Features:**
- Fits #3-#4 Rebar

PRODUCT APPLICATIONS

DOT SOG

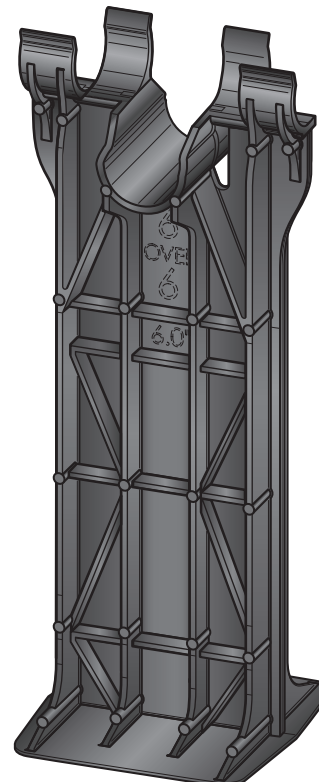
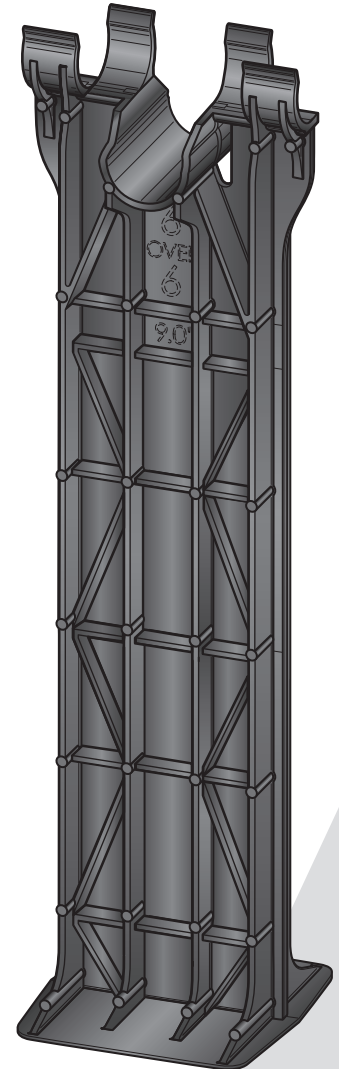
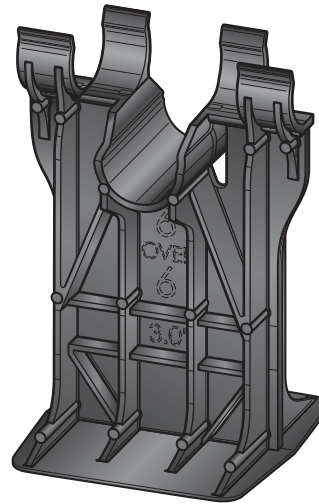


GTI Double Lock Paving Chairs™

Internationally Recognized
Technically Advanced
Innovative Products

INNOVATION ♦ RELIABILITY ♦ QUALITY ♦ PERFORMANCE ♦ INNOVATION ♦ RELIABILITY ♦ QUALITY ♦ PERFORMANCE ♦ INNOVATION ♦ RELIABILITY ♦ QUALITY ♦ PERFORMANCE

- Primary Uses:** Slab-on-Grade - Rebar, PT
Single Mat - Rebar
City, County & Highway Paving
Bottom Layer Double Mat Support - Rebar
Top Layer Double Mat Support - Rebar
- Size:** From 2 1/2" to 10 3/4" (1/4" increments)
- Features:**
- Fits #4 - #7 rebar
 - Built-in Base Plate



SIZE	#4 / #4	#5 / #4	#5 / #5	#6 / #5	#6 / #6	#7 / #5	#7 / #6	#7 / #7
2 1/2"	217125	217225	217325	217425	217525	217625	217725	217825
2 3/4"	217127	217227	217327	217427	217527	217627	217727	217827
3"	217130	217230	217330	217430	217530	217630	217730	217830
3 1/4"	217132	217232	217332	217432	217532	217632	217732	217832
3 1/2"	217135	217235	217335	217435	217535	217635	217735	217835
3 3/4"	217137	217237	217337	217437	217537	217637	217737	217837
4"	217140	217240	217340	217440	217540	217640	217740	217840
4 1/4"	217142	217242	217342	217442	217542	217642	217742	217842
4 1/2"	217145	217245	217345	217445	217545	217645	217745	217845
4 3/4"	217147	217247	217347	217447	217547	217647	217747	217847
5"	217150	217250	217350	217450	217550	217650	217750	217850
5 1/4"	217152	217252	217352	217452	217552	217652	217752	217852
5 1/2"	217155	217255	217355	217455	217555	217655	217755	217855
5 3/4"	217157	217257	217357	217457	217557	217657	217757	217857
6"	217160	217260	217360	217460	217560	217660	217760	217860
6 1/4"	217162	217262	217362	217462	217562	217662	217762	217862
6 1/2"	217165	217265	217365	217465	217565	217665	217765	217865
6 3/4"	217167	217267	217367	217467	217567	217667	217767	217867
7"	217170	217270	217370	217470	217570	217670	217770	217870
7 1/4"	217172	217272	217372	217472	217572	217672	217772	217872
7 1/2"	217175	217275	217375	217475	217575	217675	217775	217875
7 3/4"	217177	217277	217377	217477	217577	217677	217777	217877
8"	217180	217280	217380	217480	217580	217680	217780	217880
8 1/4"	217182	217282	217382	217482	217582	217682	217782	217882
8 1/2"	217185	217285	217385	217485	217585	217685	217785	217885
8 3/4"	217187	217287	217387	217487	217587	217687	217787	217887
9"	217190	217290	217390	217490	217590	217690	217790	217890
9 1/4"	217192	217292	217392	217492	217592	217692	217792	217892
9 1/2"	217195	217295	217395	217495	217595	217695	217795	217895
9 3/4"	217197	217297	217397	217497	217597	217697	217797	217897
10"	217110	217210	217310	217410	217510	217610	217710	217810
10 1/4"	217112	217212	217312	217412	217512	217612	217712	217812
10 1/2"	217115	217215	217315	217415	217515	217615	217715	217815
10 3/4"	217117	217217	217317	217417	217517	217617	217717	217817

PRODUCT APPLICATIONS

DOT SOG



GTI Single Lock Paving Chairs G2

Internationally Recognized
Technically Advanced
Innovative Products

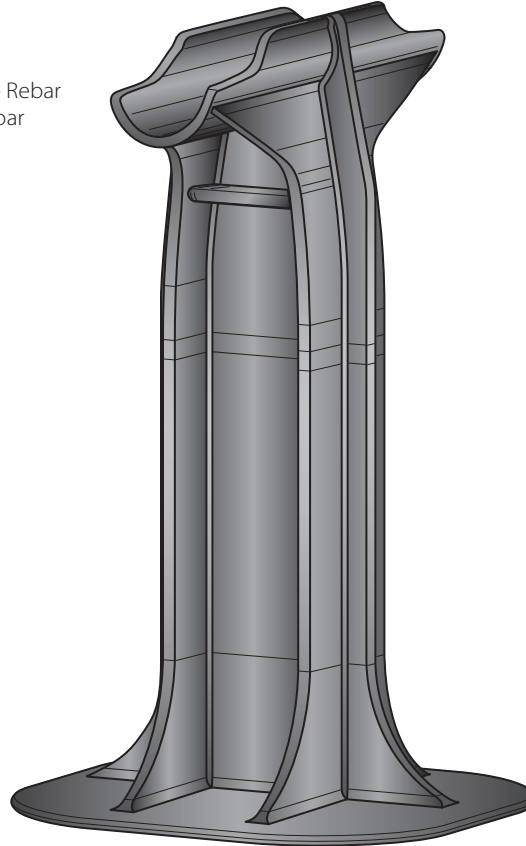
INNOVATION ♦ RELIABILITY ♦ QUALITY ♦ PERFORMANCE ♦ INNOVATION ♦ RELIABILITY ♦ QUALITY ♦ PERFORMANCE ♦ INNOVATION ♦ RELIABILITY ♦ QUALITY ♦ PERFORMANCE

Primary Uses: Slab-on-Grade - Rebar, PT
Single Mat - Rebar
City, County & Highway Paving
Bottom Layer Double Mat Support - Rebar
Top Layer Double Mat Support - Rebar

Size: From 2 1/2" to 7 1/2" (1/4" increments)

Features:

- Fits #3 / #4, #5, #6 Rebar
- Built-in Base Plate



SIZE	#3 / #4	#5	#6
2 1/2"	223225	222325	222425
2 3/4"	223227	222327	222427
3"	223230	222330	222430
3 1/4"	223232	222332	222432
3 1/2"	223235	222335	222435
3 3/4"	223237	222337	222437
4"	223240	222340	222440
4 1/4"	223242	222342	222442
4 1/2"	223245	222345	222445
4 3/4"	223247	222347	222447
5"	223250	222350	222450
5 1/4"	223252	222352	222452
5 1/2"	223255	222355	222455
5 3/4"	223257	222357	222457
6"	223260	222360	222460
6 1/4"	223262	222362	222462
6 1/2"	223265	222365	222465
6 3/4"	223267	222367	222467
7"	223270	222370	222470
7 1/4"	223272	222372	222472
7 1/2"	223275	222375	222475

PRODUCT APPLICATIONS

DOT SOG

GTI Single Lock Mesh Chairs G2

Primary Uses: Slab-on-Grade

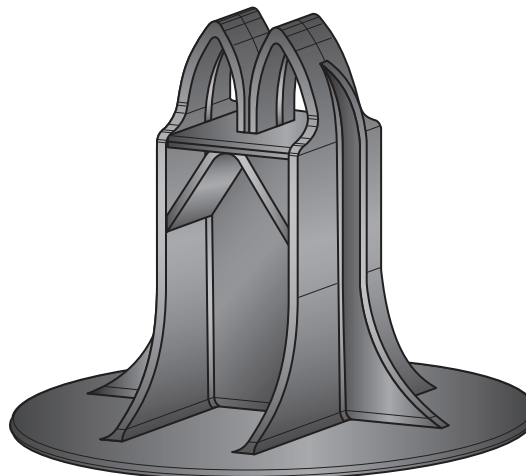
Size: From 2 1/2" to 7 1/2" (1/4" increments)

Features:

- Fits Mesh
- Built-in Base Plate

PRODUCT APPLICATIONS

DOT SOG



SIZE	MESH
2 1/2"	223125
2 3/4"	223127
3"	223130
3 1/4"	223132
3 1/2"	223135
3 3/4"	223137
4"	223140
4 1/4"	223142
4 1/2"	223145
4 3/4"	223147
5"	223150
5 1/4"	223152
5 1/2"	223155
5 3/4"	223157
6"	223160
6 1/4"	223162
6 1/2"	223165
6 3/4"	223167
7"	223170
7 1/4"	223172
7 1/2"	223175



GTI Double Lock Paving Chairs G2 & GTI Double Mat Extension G2

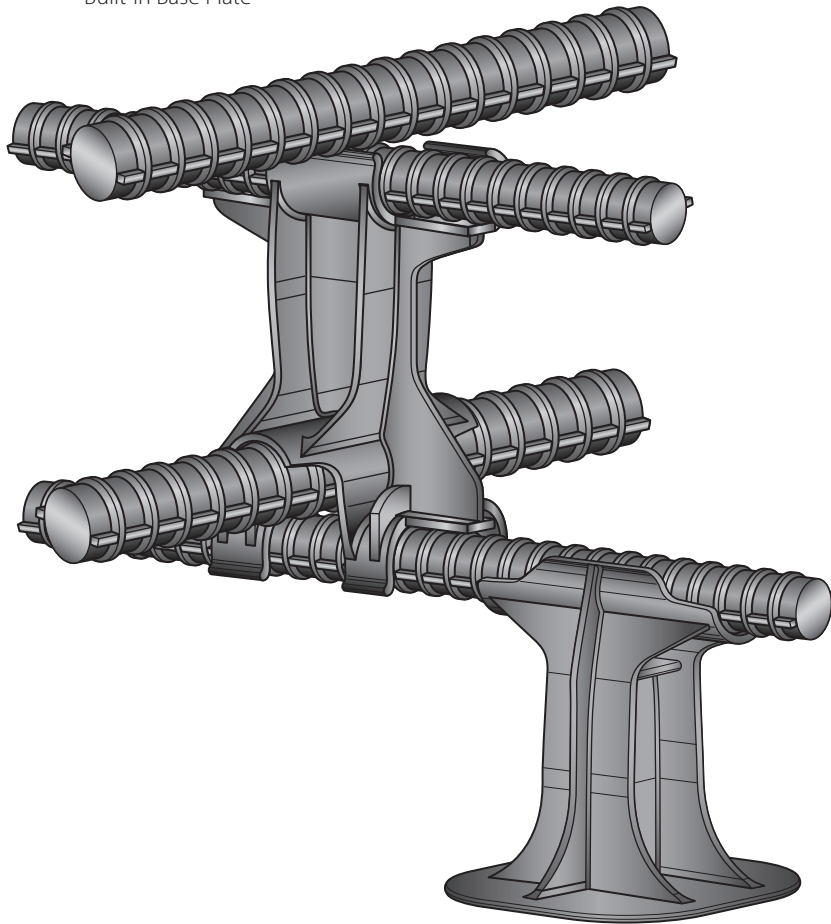
Internationally Recognized
Technically Advanced
Innovative Products

INNOVATION ♦ RELIABILITY ♦ QUALITY ♦ PERFORMANCE ♦ INNOVATION ♦ RELIABILITY ♦ QUALITY ♦ PERFORMANCE ♦ INNOVATION ♦ RELIABILITY ♦ QUALITY ♦ PERFORMANCE

Primary Uses: Slab-on-Grade - Rebar, PT
Single Mat - Rebar
City, County & Highway Paving
Bottom Layer Double Mat Support - Rebar
Top Layer Double Mat Support - Rebar

Size: From 2 1/2" to 7 1/2" (1/4" increments)

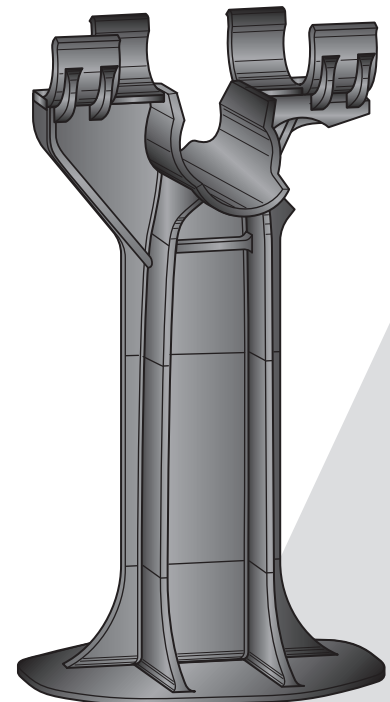
- Features:**
- Fits #4 - #6 Rebar
 - Built-in Base Plate



SIZE	#4 / #4	#5 / #5	#6 / #5	#6 / #6
2 1/2"	222525	222625	222725	222825
2 3/4"	222527	222627	222727	222827
3"	222530	222630	222730	222830
3 1/4"	222532	222632	222732	222832
3 1/2"	222535	222635	222735	222835
3 3/4"	222537	222637	222737	222837
4"	222540	222640	222740	222840
4 1/4"	222542	222642	222742	222842
4 1/2"	222545	222645	222745	222845
4 3/4"	222547	222647	222747	222847
5"	222550	222650	222750	222850
5 1/4"	222552	222652	222752	222852
5 1/2"	222555	222655	222755	222855
5 3/4"	222557	222657	222757	222857
6"	222560	222660	222760	222860
6 1/4"	222562	222662	222762	222862
6 1/2"	222565	222665	222765	222865
6 3/4"	222567	222667	222767	222867
7"	222570	222670	222770	222870
7 1/4"	222572	222672	222772	222872
7 1/2"	222575	222675	222775	222875

PRODUCT APPLICATIONS

DOT SOG



GTI DOUBLE MAT EXTENSION G2						
HEAD BAR SIZE						
	#5	#5	#5	#6	#6	#6
BASE BAR SIZE						
SIZE	#5 / #5	#6 / #5	#6 / #6	#5 / #5	#6 / #5	#6 / #6
3 1/2"	224363	224373	224383	224463	224373	224483
4"	224364	224374	224384	224464	224474	224484
4 1/2"	224365	224375	224385	224465	224475	224485



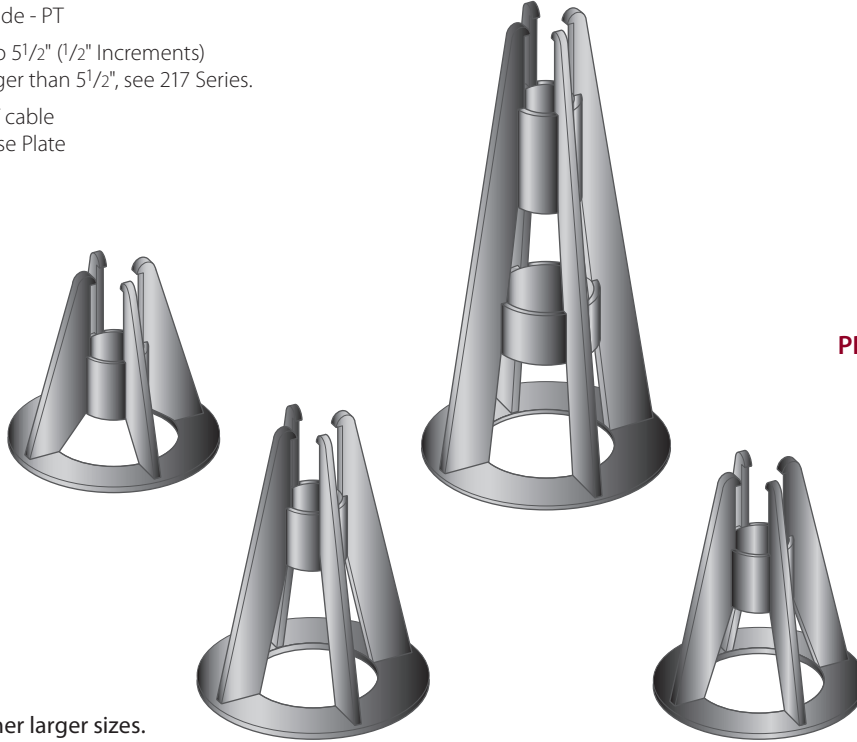
GTI Intersectional Chairs™

Internationally Recognized
Technically Advanced
Innovative Products

INNOVATION ♦ RELIABILITY ♦ QUALITY ♦ PERFORMANCE ♦ INNOVATION ♦ RELIABILITY ♦ QUALITY ♦ PERFORMANCE ♦ INNOVATION ♦ RELIABILITY ♦ QUALITY ♦ PERFORMANCE

- Primary Uses:** Slab-on-Grade - PT
- Size:** From 1 1/2" to 5 1/2" (1/2" Increments)
For sizes larger than 5 1/2", see 217 Series.
- Features:**
- Fits 1/2" PT cable
 - Built-in Base Plate

SIZE	PART NO.
1 1/2"	205115
2"	205120
2 1/2"	205125
3"	205130
3 1/2"	205135
4"	205140
4 1/2"	205145
5"	205150
5 1/2"	205155



PRODUCT APPLICATIONS

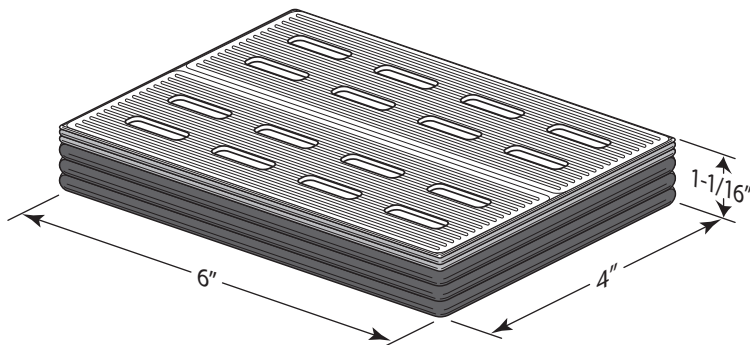
PT **SOG**

Note: See 217 Series for all other larger sizes.

GTI Shims

- Primary Uses:** Bearing Pads for Tilt-up or Pre-cast Panels
- Size:** 4" x 6" From 1/16" to 1/4"
- Features:**
- Highest Bearing Strength > 8000 - 10000 psi
 - Made of Nylon Composite

SIZE	PART NO.	PCS/BOX
1/16"	219060	960
1/8"	219125	480
1/4"	219250	240
Set	219100	60



GTI SHIM STACK, 4x6
Product Code: 219100

- Each shim stack set contains:
- 1 ea - 1/16" Shim
 - 2 ea - 1/8" Shims
 - 3 ea - 1/4" Shims

PRODUCT APPLICATIONS

DOT **PC** **TU**



GTI Stapler™ & Staples

Internationally Recognized
Technically Advanced
Innovative Products

INNOVATION ♦ RELIABILITY ♦ QUALITY ♦ PERFORMANCE ♦ INNOVATION ♦ RELIABILITY ♦ QUALITY ♦ PERFORMANCE ♦ INNOVATION ♦ RELIABILITY ♦ QUALITY ♦ PERFORMANCE

Primary Uses: To staple bar supports to formwork to ensure tendon profiles are securely maintained

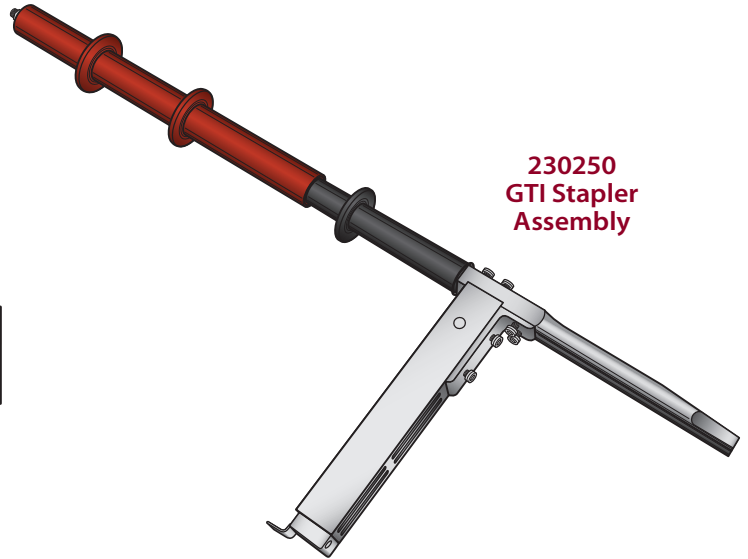
Features:

- Nose is slotted to straddle the legs of bar supports

PRODUCT APPLICATIONS

DOT **PT** **SE**

PART NO.	DESCRIPTION	PCS/BOX
230270	Staple, 1" Leg x 7/16" Crown, Galvanized	5000
230271	Staple, 1" Leg x 7/16" Crown, Stainless Steel	5000



**230250
GTI Stapler
Assembly**

GTI Concrete Accessories Application Chart

PROPER CARE AND USAGE: Do not leave GTI Bar Supports in the sun or in bright daylight for prolonged periods of time - composites, plastics, and bags may become brittle; the material used to manufacture GTI Bar Supports is physiologically safe and resistant against all acids and alkaline solutions used in the construction industry; do not apply oils, release agents, or similar products to GTI Bar Supports; under certain conditions small rupture may occur at the surface of concrete in the vicinity of GTI Bar Supports when too much oil or release agent is used on the formed surface - further causes may be poor cleaning of the concrete surface and improper use of primer when painting; GTI Bar Supports have been used world-wide in every climatic condition without complaint.

See www.gti-usa.net/patents.shtml for a listing of many of the patents licensed to GTI, including patents that may cover one or more of the products identified.

PRODUCT APPLICATIONS

PRODUCTS	Series	DOT	PC	PT	SOG	SE	TU	WC
		Department of Transportation	Precast	Post-Tension Slabs	Slab on Ground	Slab - Elevated	Tilt-Up	Walls & Columns
Individual Bar Supports	GTI Composite PC Chairs	216	✓	✓	✓	✓	✓	
	GTI Composite Stack Chairs	291	✓	✓	✓	✓	✓	
	GTI Composite Bar Chairs	210	✓	✓	✓	✓		
	GTI Composite High Chairs	208	✓	✓	✓	✓		
	GTI Sand Plates	208/210/216	✓	✓	✓	✓		
	GTI Single Lock Paving Chairs	212	✓			✓		
	GTI Single Lock Paving Chairs G2	222/223	✓			✓		
	GTI Double Lock Paving Chairs	217	✓			✓		
	GTI Double Lock Paving Chairs G2	222	✓			✓		
	GTI Double Mat Extension G2	224	✓			✓		
	GTI Shims	219	✓	✓				✓
Continuous Bar Supports	GTI Slab/Beam Bolsters - Black	209	✓	✓	✓		✓	✓
	GTI Slab/Beam Bolsters - Grey	215	✓	✓	✓		✓	✓
	GTI Slab Bolsters	218	✓	✓	✓		✓	✓
	GTI Slab Bolster Upper	260	✓	✓	✓	✓	✓	
PT Acc.	GTI Intersectional Chairs	205			✓	✓		



GTI Contacts

Internationally Recognized
Technically Advanced
Innovative Products

INNOVATION ♦ RELIABILITY ♦ QUALITY ♦ PERFORMANCE ♦ INNOVATION ♦ RELIABILITY ♦ QUALITY ♦ PERFORMANCE ♦ INNOVATION ♦ RELIABILITY ♦ QUALITY ♦ PERFORMANCE



Corporate Headquarters, Manufacturing Center & Southwestern Distribution Center

HOUSTON

13022 Trinity Drive, Stafford, TX 77477 • Tel: (281) 240-0550 • Fax: (281) 240-0990 • www.gti-usa.net

Mid-Atlantic Distribution Center

WASHINGTON, D.C.

9404 Gunston Cove Road • Lorton, VA 22079 • Tel: (703) 495-8507 • Fax: (703) 495-8509

Central Distribution Center

CHICAGO

903 Wesemann Drive • West Dundee, IL 60118 • Tel: (847) 241-2692 • FAX: (847) 241-2694

Please contact GTI for Dealers in your area.



P.O. Box 1503
13022 Trinity Drive
Stafford, TX 77477
Tel: (281) 240-0550

E-mail: accessories@gti-usa.net
Website: www.gti-usa.net
Fax: (281) 240-0990
Toll-free: (888) 255-0440