



GREENLEE®

UTILITY

A Textron Company

WWW.GREENLEEUTILITY.COM

UTILITY CATALOG



MISSION STATEMENT

To be the global leader in the professional tool category by developing high quality innovative products distinguished by customer-driven design and differentiated by supply chain excellence.

FOR PRODUCT VIDEOS, DEMONSTRATIONS
AND MORE, SCAN THIS QR CODE OR VISIT:

www.youtube.com/GreenleeDEMO



4455 Boeing Drive
Rockford, IL 61109-2988
USA

USA	PHONE 800.435.0786 FAX 800.451.2632
CANADA	PHONE 866.384.8813 FAX 800.524.2853
INT'L	PHONE +1.815.397.7070 FAX +1.815.397.9247



GREENLEE[®]
UTILITY



GREENLEE®

UTILITY

A Textron Company

TABLE OF CONTENTS

Crimping & Cutting	1
Impact Wrenches	72
Saws & Pruners	76
Breakers & Accessories	79
Drivers, Tampers & Pullers	81
Submersible Pumps	84
Power Units & Valve Controls	86
Low Pressure Hoses & Fittings	89
Glossary of Hydraulic Terms	91
Cable Pulling	92
Bending	119
Fishing	137
Testing & Measurement	143
Hand Tools	170
Power Tool Accessories	199
Knockouts	225
Storage & Material Handling	244
Index	256

**FOR OTHER UTILITY
PRODUCTS AND SOLUTIONS
FROM GREENLEE, VISIT:**



www.Sherman-Reilly.com



www.HDElectricCompany.com



FASTER. SAFER. EASIER.®



USA PHONE 800.435.0786
FAX 800.451.2632

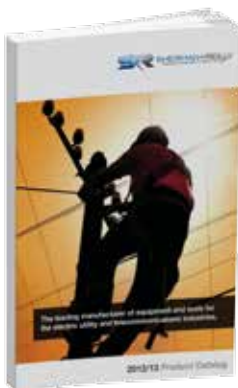
CANADA PHONE 866.384.8813
FAX 800.524.2853

INT'L PHONE +1.815.397.7070
FAX +1.815.397.9247

www.greenleeutility.com

DEDICATED TO GETTING EVERY LINEMAN HOME, EVERY NIGHT, NO EXCEPTIONS

Since 1927, Chattanooga-based Sherman + Reilly™ has been a leading manufacturer of tools and equipment for underground and aerial transmission, and distribution of electrical power and communications systems, including a complete line of bundle blocks, pullers, tensioners and reel trailers. Telecommunications products include fiber Cablejet, Superjet and Microjet cable “blowing” equipment.



For more information and to view more products,
download our catalog at Sherman-Reilly.com



CONTINUOUS IMPROVEMENT AND INNOVATION

HD Electric Company's areas of controlling, testing, measuring and recording of electric power has resulted in the development of leading edge products designed to help you provide electric power to your customers safely and efficiently.



For more information and to view more products, request our catalog at HDElectricCompany.com





With industry-leading technology, ergonomic and easy-to-use designs, Gator® tools help you work smarter on the jobsite. Cut cable, crimp lugs and splices, and punch holes all in lightning fast time. With smart features such as Intelli-CRIMP™ and **Auto Retraction Stop (ARS)**, you can always be sure that the job is done right.

¹ Select models only. UL certified when used with Anderson®, Blackburn®, Burndy®, ILSCO®, Panduit®, Penn-Union® and Thomas & Betts® color-coded lugs and splices. See www.greenlee.com for more information.

SAFE.

Gator® tools help line workers avoid repetitive motion injuries associated with manual cutters and crimpers.

SECURE.

With UL certification and Intelli-CRIMP™ technology¹, you can be sure that the crimp or cut was correct – and have the data to prove it.

SIMPLE.

Designed for the lineman, Gator® tools feature industry leading center of gravity and single trigger designs – making them the easiest to use.

SMART.

Whether it's Auto Retraction Stop, Retraction Stop Repeat (RSR), or Intelli-CRIMP™ technology, Gator® tools help get the job done Faster, Safer, and Easier®.



FEATURES

Legend of Icons



Intelli-CRIMP™ Technology



18V Lithium-Ion Battery



Automatic Retraction Stop



Retraction Stop Repeat



LED Work Light



Battery LED Monitor



Crimping Force in TONS

DIELESS

Crimping Tool that does not require die set



Select Gator Tools feature **Intelli-CRIMP™** Technology – a unique pressure sensor that detects crimping force.

Tools equipped with this feature emit audible and visual alerts when a crimp is below specifications – so you can get the job done right the first time.



Automatic Retraction Stop



Retraction Stop Repeat

After a cut or crimp, **Automatic Retraction Stop (ARS)** prevents full retraction of the ram – saving time when making multiple crimps.

Retraction Stop Repeat (RSR) goes one step further than ARS – allowing the user to set where they want the ram to stop after every crimp.



18V Lithium-Ion Battery

All current-line Gator® tools use the same Makita® 18V Li-Ion batteries, which recharge in less than 25 minutes.²



Greenlee Gator® crimping tools are UL and cUL certified when used with the following brands of color-coded lugs and splices:

Anderson®
Blackburn®
Burndy®
ILSCO®

Panduit®
Penn-Union®
Thomas & Betts®

² Estimated charge time: 25 minutes. Actual times may vary. Makita® is a registered trademark of Makita Corporation.



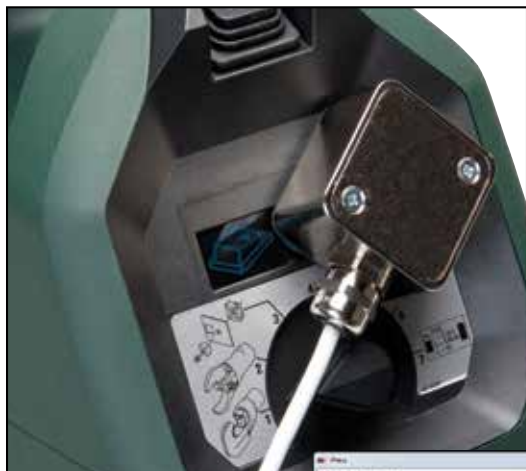
A REVOLUTION IN BATTERY TOOLS.

Cutting & Crimping

**WANT TO KNOW HOW MANY CRIMPS OR CUTS YOU'VE MADE?
WHAT THE MAXIMUM PSI IS FOR EACH CRIMP?
HOW LONG SINCE THE LAST SERVICE?**

USE THE **GATOR EYE**®.

Compatible with all Greenlee Gator® tools³, this USB powered device gets the information you need out of the tool and into your hands.



DETAILED WORK HISTORY.

Download, print, and store work information such as operating pressure, number of crimps/cuts, and battery information.

ACCOUNTABILITY.

Prove that the job was done correctly with operation and project specific documentation.

DIAGNOSTICS.

Set and view maintenance intervals, and add user identifiable information to manage your inventory.



iPress™
software
screenshot

³ Previous generation Gator® tools may not have this capability.

Single Trigger Design

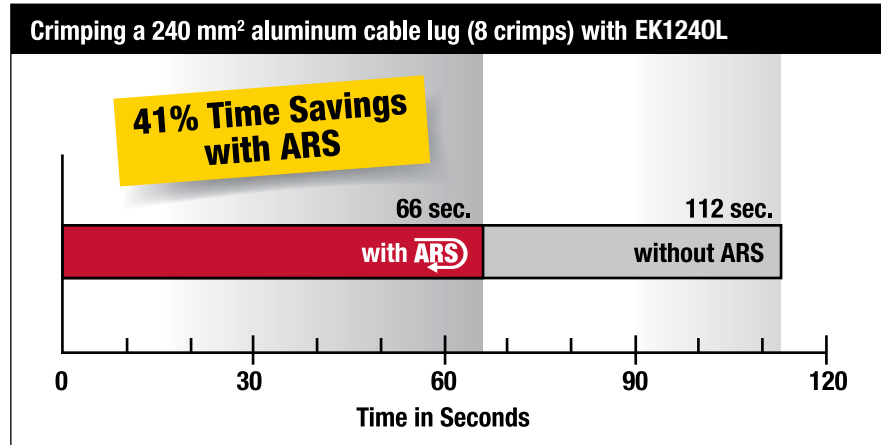


Easy to use.

Greenlee Gator® tools keep it simple. No separate triggers for different operations. One trigger. One manual release. Easy operation, every time.

Save time.

Smart tools. Gator® tools automatically retract after a completed crimp, cut, punch, or bend. And with timesaving features like Automatic Retraction Stop and Retraction Stop Repeat, you'll be sure to get the job done **Faster, Safer, and Easier.**®



Understanding what the tool is saying

RED BI-LED	WORK LED	AUDIO	DESCRIPTION
 20 sec			Glowing for 20 seconds after crimp, battery discharged
 2 x			Self check after battery insertion
 20 sec/2Hz			Flashing for 20 seconds with 2Hz after crimp, return of service
 20 sec/5Hz			Flashing for 20 seconds with 5Hz during high temperature, unit too hot
			20 seconds glowing and 20 seconds flashing intermittently after crimp, service required and battery flat
 1 x	 1 x		Error: the necessary oil pressure was not reached, or there is a manual retraction with the motor not running
 3 x	 3 x		Fatal Error: the necessary oil pressure with the motor running was not achieved

Greenlee Crimping Tool Capacities

TOOL TYPE	4 TON	4.5 TON (4)	6 TON	12 TON (5)		15 TON	ROTATING DIE (1)				QUAD-POINT DIELESS		DIELESS	
	EK410L	K4250 K425BG	EK628L (6) EK622L ECCXL	HK1230 EK1230L HKL1232	RK1240 HK1240 EK1240L	RK1550 EK1550	K111	K05-1GL K05-1SPGL	K09-2GL K09-2.5SPGL	K09-3GL	RK06AT HK06AT EK06ATL	RK06FT HK06FT EK06FTL	1981	EK12IDL HK12ID RK12ID
CONNECTOR TYPE														
INDUSTRIAL														
Copper Lugs			8-600 (2)	8-750	8-750	8-1500	8-1	8-1/0	8-4/0	3/0-400	6-500	6-750	8-250	4-1000
Copper Splices	8-300	8-500	8-600 (2)	8-400	8-750	8-1500	8-1	8-1/0	8-4/0	3/0-400	6-500	6-750	8-250	4-1000
Aluminum Lugs	8-2/0	8-4/0	8-300 (3)	8-750	8-750	8-1000					6-400	6-750	8-4/0	6-1000
Aluminum Splices	8-2/0	8-4/0	8-300 (3)	8-400	8-750	8-1000					6-400	6-750	8-4/0	6-1000
Copper "C" Taps		10-2	12-2 (4)	12-400	12-400	8-1000								
Aluminum "H" Taps				6-500	6-500	6-1000								
Aluminum Pin														
Adapters		6-1/0	6-1/0 (3)	6-500	6-750	6-750								
GROUNDING														
Ground Grid														
Connectors			6-3 (4)	6-500	6-500	6-500								
Copper "E" Taps				6-500	6-500	6-500								
OVERHEAD														
5/8" Service														
Ent. Connectors	10-1/0	10-1/0	10-1/0 (4)	10-1/0	10-1/0	10-1/0					4-350	4-350		
.840 Service Ent.														
Connectors	1/0-4/0	1/0-4/0	1/0-4/0 (4)	1/0-4/0	1/0-4/0	1/0-4/0					4-350	4-350		
Aluminum "H" Taps		6-4/0	6-4/0 (4)	6-500	6-500	6-900								
Copper "H" Taps		10-2	12-2 (4)	12-4/0	12-4/0	12-4/0								
Copper Tension														
Splice		6-2/0	6-2/0 (4)	6-500	6-500	6-500					6-4/0	6-4/0		
All Aluminum														
Tension Splice		6-4/0	6-4/0 (4)	6-587.5	6-587.5	6-587.5								
One Piece ACSR														
Tension Splice		4-1/0	4-1/0 (4)	4-556.5	4-556.5	4-556.5					4-477	4-477		
Two Piece ACSR														
Tension Splice		2-477	2-4/0 (4)	2-556.5	2-556.5	2-900								
Aluminum Jumper														
Splice		4-266.8	4-266.8 (4)	4-556.5	4-556.5	4-795								
Stirrups		2-4/0	6-4/0 (4)	6-500	6-500	6-500								
Aluminum Lugs		2-1/0	4-4/0 (4)	4-556.5	4-556.5	4-795								
Copper Lugs		6-1/0	1/0-2/0 (4)	1/0-500	1/0-500	1/0-500								

Feature Legend of Icons

							
Intelli-CRIMP™ Technology	18V Lithium-Ion Battery	Automatic Retraction Stop	Retraction Stop Repeat	LED Work Light	Battery LED Monitor	Crimping Force in TONS	Crimping Tool that does not require die set

NOTES: (1) Die wheels are rotated to match the cable size. Dies are color coded and marked with the cable size.
 (2) Capacity using Greenlee KC22 dies.
 (3) Capacity using Greenlee KA22 dies.
 (4) Capacity using "W" dies.
 (5) Capacity using "U" dies.
 (6) Not for use with Burndy 400, 500, and 600 kcmil splices and Penn-Union 600 kcmil splices. The EK628L can be used with all sizes of Burndy & Penn-Union lugs from 8AWG to 600 kcmil.

CRIMPING AND CUTTING TOOLS

EK425L Gator® Battery Powered Crimping Tool

SPECIFICATIONS

Crimping Force	6-Tons (54 kN)
Length (with jaws)	18-1/2" (470 mm)
Width (head open)	4" (108 mm)
Weight (with jaws)	6.8 lbs. (3 kg)
Battery	18V 4.0 Ah Li-ion
Est. Cycles per Charge	~325
Crimp Cycle Time	~4 seconds
Battery Charge Time	40 minutes



CONNECTOR CAPACITY

5/8" Service Entrance Connectors	10-1/0 AWG
.840 Service Entrance Connectors	1/0-4/0 AWG
Aluminum "H" Taps	6-4/0 AWG
Copper "H" Taps	10-2 AWG
Copper Tension Splices	6-2/0 AWG
All Aluminum Tension Splices	6-4/0 AWG
One Piece ACSR Tension Splices	4-1/0 AWG
Two Piece ACSR Tension Splices	2 AWG-477 kcmil
Aluminum Jumper Splices	4 AWG-266.8 kcmil
Stirrups	2-4/0 AWG
Aluminum color-coded lugs and splices	8-4/0 AWG

CRIMPING JAW COMPATIBILITY	BRAND	TYPE/SERIES
CJD3BG	Greenlee®	KD6 Series
CJD30	FCI Burndy®	W, X Series
CJD3	IlSCO®	ND Series
CJK*	Huskie®	HT-58 Series
*Requires F020735 Adapters	Panduit®	CD-2001 Series
CJK	Kearney™	Dies for Type "O" tools
CJXPJ	Nicopress	Connectors that require the X, P, or J tool grooves

CUTTING JAW COMPATIBILITY

CJB	<ul style="list-style-type: none"> • One time disposable lock hasps 4 AWG Alumoweld • ACSR 1/0
-----	--



EK425L



CJD3BG



CJD30



CJD3



CJK



CJB



CJXPJ

CAT NO.	UPC NO.	DESCRIPTION
EK425LD011	52028	EK425L Crimping Tool w/CJD30 jaws w/120 volt battery charger
EK425LD012	52029	EK425L Crimping Tool w/CJD30 jaws w/12 volt battery charger
EK425LD022	52030	EK425L Crimping Tool w/CJD30 jaws w/230 volt battery charger
EK425LDBG11	52025	EK425L Crimping Tool w/CJD3BG jaws w/120 volt battery charger
EK425LDBG12	52026	EK425L Crimping Tool w/CJD3BG jaws w/12 volt battery charger
EK425LDBG22	52027	EK425L Crimping Tool w/CJD3BG jaws w/230 volt battery charger
EK425LK11	52034	EK425L Crimping Tool w/CJK jaws w/120 volt battery charger
EK425LK12	52035	EK425L Crimping Tool w/CJK jaws w/12 volt battery charger
EK425LK22	52036	EK425L Crimping Tool w/CJK jaws w/2L0 volt battery charger
EK425LD11	52031	EK425L Crimping Tool w/CJD3 jaws w/120 volt battery charger
EK425LD12	52032	EK425L Crimping Tool w/CJD3 jaws w/12 volt battery charger
EK425LD22	52033	EK425L Crimping Tool w/CJD3 jaws w/230 volt battery charger
EK425LB	52024	EK425L Crimping Tool w/2 batteries only
A CXPJ	84512	Crimping Jaw with Nicopress X, P, & J die grooves
A CJB	84513	Cutting Jaw for one-time disposable lock hasps
A CJ22	84511	Crimping Jaw for use with KC22 & KA22 crimping dies
A KD6-27	10182	"W" style cutter dies for ACSR to 4/0 AWG
A F020735	43136	Kearney "D" crimping die (adapts jaws to use "W" & "X" dies)
R CJD30	84514	Crimping Jaw Unit-D ₃ and O die grooves
R CJD3BG	84515	Crimping Jaw Unit-D ₃ and BG die grooves
R CJK	04829	Crimping Jaw Unit for Kearney "O" dies
R CJD3	03242	Crimping Jaw with single D ₃ die groove
R 52176	52176	18 V 4.0 Ah Li-ion battery
R CP1	22041	Tool Pouch



CP1

DIES FOR CRIMPING COLOR-CODED COPPER & ALUMINUM LUGS & SPLICES*
6-TON CRIMPING DIE KITS* (Requires CJ22 crimping jaws)

CAT. NO.	UPC NO.	DESCRIPTION
K22S1GL	03078	Die Kit for #8-600 Copper Connectors – Includes all copper die sets listed below and carrying case
KD06AL	01631	Die Kit for #8-350 Aluminum Connectors – Includes all aluminum die sets listed below and carrying case

22 SERIES CRIMPING DIES

CABLE SIZE	ALUMINUM			COPPER		
	CAT. NO.	UPC NO.	COLOR	CAT. NO.	UPC NO.	COLOR
8 AWG	KA22-8	06744	Blue	KC22-8	03079	Red
6 AWG	KA22-6	06745	Gray	KC22-6	03080	Blue
4 AWG	KA22-4	06746	Green	KC22-4	03081	Gray
2 AWG	KA22-2	06747	Pink	KC22-2	03082	Brown
1 AWG	KA22-1	06749	Gold	KC22-1	03083	Green
1/0 AWG	KA22-1/0	06750	Tan	KC22-1/0	03084	Pink
2/0 AWG	KA22-2/0	06751	Olive	KC22-2/0	03085	Black
3/0 AWG	KA22-3/0	06752	Ruby	KC22-3/0	03086	Orange
4/0 AWG	KA22-4/0	06753	White	KC22-4/0	03087	Purple
250 kcmil (MCM)	KA22-250	06754	Red	KC22-250	03088	Yellow
300 kcmil (MCM)	KA22-300	06755	Blue	KC22-300	03089	White
350 kcmil (MCM)	KA22-350	06756	Brown	KC22-350	03090	Red
400 kcmil (MCM)	—	—	—	KC22-400	03091	Blue
500 kcmil (MCM)	—	—	—	KC22-500	03092	Brown
600 kcmil (MCM)	—	—	—	KC22-600B	03094	Green

*Note: Connections are UL and cUL classified for copper and aluminum, when used with Greenlee tools on Anderson®, Blackburn®, FCI Burndy®, ILSCO®, Panduit®, Thomas & Betts® and Penn-Union® color-coded lugs and splices. Anderson® and Burndy® are registered trademarks of Hubbell Inc. Blackburn® is a registered trademark of Asea Brown Boveri Ltd. ILSCO® is a registered trademark of ILSCO Corporation. Panduit® is a registered trademark of Panduit Corp. Penn-Union® is a registered trademark of Penn Union Corp. Thomas & Betts® is a registered trademark of Thomas & Betts International, Inc.

Dies for use with service entrance connectors, c-taps, h-taps, overhead and underground connectors (Use with EK425L with CJD3, CJD3BG & CJD30 jaws). Use with EK425L with CJK jaws with F020735 adapters.

"W"-STYLE DIES

CAT. NO.	UPC NO.	BURNDY NO.
KD6-10	10165	W-BG
KD6-11	10166	W-O
KD6-12	10167	W-C
KD6-13	10168	W-K840
KD6-14	10169	W-161
KD6-15	10170	W-162
KD6-16	10171	W-163
KD6-17	10172	W-165
KD6-18	10173	W-166
KD6-19	10174	W-243
KD6-20	10175	W-247
KD6-21	10176	W-249
KD6-22	10177	W-164
KD6-24	10179	W-237
KD6-25	10180	W-239
KD6-27	10182	W-28K

DIE-TYPE CRIMPING

Gator® Battery-Powered 4-Ton Crimping Tool



4-TON
EK410L



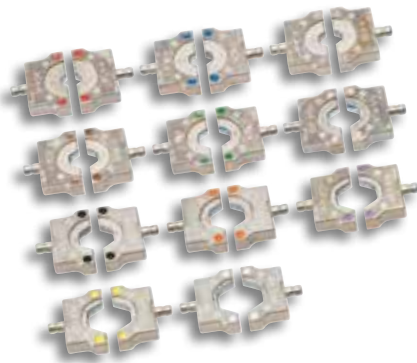
- Intelli-CRIMP™ Technology includes a pressure sensor that monitors the crimping force of each crimp and provides the operator a visual and audible alert if the force is below specifications
- State of the art 18V lithium ion (Li-ion) battery provides 70% more cycles per charge and faster cycle times
- LED light provides the operator with the battery charge and tool maintenance status
- In line tool style is light weight and very easy to control
- One trigger controls all tool functions
- Crimping head rotates 350°
- Tools automatically retract when the crimping or cutting cycle is complete
- Overmolded tacky grip areas make gripping the tool easier and more comfortable
- Smart charger maximizes battery life
- Used with Greenlee KC4, KA4 and KD4 crimping dies

SPECIFICATIONS

Capacity	8 AWG to 300 kcmil (MCM) copper color-coded connectors 8 AWG to 2/0 AWG aluminum color-coded connectors 5/8" service entrance connectors 840 service entrance connectors
Crimping Force	7,900 lb. (35 kN)
Length	13-1/4" (337 mm)
Width	2-7/8" (73 mm)
Weight	4 lbs. (1.8 kg)
Crimp Cycle Time	~4 seconds
Battery	18V 2.0 Ah Li-ion
Battery Charge Time	25 minutes
Est. Cycles per Charge	200

CAT. NO.	UPC NO.	DESCRIPTION
EK410L11	52089	4-Ton Battery-Powered Crimping Tool, 120V Charger
EK410L12	52090	4-Ton Battery-Powered Crimping Tool, 12V Charger
EK410L22	52091	4-Ton Battery-Powered Crimping Tool, 230V Charger
EK410L120	52092	4-Ton Crimping Tool w/120V AC Adapter
EK410L230	52101	4-Ton Crimping Tool w/230V AC Adapter
EK410LB	01144	EK410 Bare Crimp Tool, 4T
52177	52177	18V 2.0 Ah Li-ion Battery
25752	25752	Carrying Case
52178	52178	120V Charger
52179	52179	230V Charger
52180	52180	12V Charger

*UL and cUL classified with Anderson®, Blackburn®, Burndy®, ILSCO®, Panduit®, Penn-Union® and Thomas & Betts® copper and aluminum color-coded connectors.



Crimping Dies for 4-Ton EK410L Tools

Crimping dies on page 32

Gator® Battery-Powered and Corded 6-Ton Crimping Tools

AVAILABLE AS
BARE TOOL

CLASSIFIED
UL
C US

IntelliCRIMP™

18V
Lithium-Ion

LED



6-TON



EK622L



EK622PLU



Crimping Dies for 6-Ton Tools
Crimping dies on page 33



W Dies for 6-Ton Tools
W dies on page 33

- Intelli-CRIMP™ Technology includes a pressure sensor that monitors the crimping force of each crimp and provides the operator a visual and audible alert if the force is below specifications
- State of the art 18V lithium ion (Li-ion) battery provides 70% more cycles per charge and faster cycle times
- LED light provides the operator with the battery charge and tool maintenance status
- In line tool style is light weight and very easy to control
- One trigger controls all tool functions
- Crimping head rotates 350°
- Tools automatically retract when the crimping or cutting cycle is complete
- Overmolded tacky grip areas make gripping the tool easier and more comfortable
- Smart charger maximizes battery life
- Accepts Greenlee KC22 and KA22 series crimping dies
- Includes 04292 die adapters which can be used with all industry "W" style crimping dies and Greenlee KD6 style dies

SPECIFICATIONS

BATTERY POWERED

Capacity	Color-coded copper lugs and splices, 600 kcmil (MCM). Color-coded aluminum lugs and splices, 350 kcmil (MCM). For capacity with other types of connectors, see chart on page 5
Crimping Force	12,000 lb (53 kN)
Length	15-3/4" (438 mm)
Weight	6.5 lbs. (3 kg)
Battery	18V 2.0 Ah Li-ion
Battery charge time	25 minutes
Est. Cycles per Charge	100

CAT. NO.	UPC NO.	DESCRIPTION
EK622L11	52084	6-Ton Battery-Powered Crimping Tool 120V Charger
EK622L12	52085	6-Ton Battery-Powered Crimping Tool 12V Charger
EK622L22	52086	6-Ton Battery-Powered Crimping Tool 230V Charger
EK622L120	52087	6-Ton Crimping Tool with 120V AC Adapter
EK622L230	52088	6-Ton Crimping Tool with 230V AC Adapter
B EK622LB	01146	EK622 Bare Crimp Tool, 6-Ton
EK622PLU11	01740	6-Ton Battery-Powered Crimping Tool 120V Charger
EK622PLU12	01744	6-Ton Battery-Powered Crimping Tool 12V Charger
EK622PLU22	01746	6-Ton Battery-Powered Crimping Tool 230V Charger
EK622PLU120	01745	6-Ton Crimping Tool with 120V AC Adapter
EK622PLU230	01747	6-Ton Crimping Tool with 230V AC Adapter
B EK622PLUB	01732	EK622P Bare Crimp Tool, 6-Ton
R 52177	52177	18V 2.0 Ah Li-ion Battery
R 25752	25752	EK622L Carrying Case
A 12274	12274	Carrying Strap
R 04292	04292	Die Adapter for "W" Type Dies
R 52178	52178	120V Charger
R 52179	52179	230V Charger
R 52180	52180	12V Charger

*UL and cUL classified with Anderson®, Blackburn®, Burndy®, ILSCO®, Panduit®, Penn-Union® and Thomas & Betts® copper lugs and splices to 600 kcmil (MCM) and with aluminum lugs & splices to 350 kcmil (MCM).

Gator® 12-Ton Battery-Powered Crimping Tools



EK1230L



EK1240L



EK1240CL



EK1240KL

12-TON

- Intelli-CRIMP™ Technology includes a pressure sensor that monitors the crimping force of each crimp and provides the operator a visual and audible alert if the force is below specifications
- State of the art 18V lithium ion (Li-ion) battery provides 70% more cycles per charge and faster cycle times
- Automatic Retraction Stop (ARS) retracts the ram just enough to get ready for the next cycle saving time and energy
- LED light provides the operator with the battery charge and tool maintenance status
- Two-stage hydraulic system provides fast advance and power speeds, saving time
- Forward handle position improves tool balance
- One trigger controls all tool functions
- Crimping head rotates 350°
- Tools automatically retract when the crimping cycle is complete
- Overmolded tacky grip areas make gripping the tool easier and more comfortable
- Smart chargers maximize battery life
- Three crimping head choices: EK1230L with 1.20" (30mm) opening uses Greenlee KC12, KA12 & KD12 crimping dies plus all industry "U" style crimping dies, EK1240L with 1.65" (42mm) opening uses Greenlee KC12, KA12 & KD12 crimping dies plus all industry "U" style crimping dies, EK1240KL uses Kearney PH2 style crimping dies
- Covered head models have two layers of PVC that total approximately 3/16" (4.8 mm) thick
- U.S. Patents #6,206,663 and #6,065,326

SPECIFICATIONS

Capacity*	EK1230L & EK1240L – 8 AWG to 750 kcmil copper color-coded lugs and splices See crimping tool capacity chart on page 5, for additional capacities EK1240K – ACSR terminals 1033 kcmil (MCM), ACSR tension fittings 477 kcmil (MCM)
Crimping Force	24,000 lb (106 kN)
Length	EK1230L – 15-1/2" (394 mm) EK1240L – 16-1/4" (413 mm)
Weight	EK1230L – 14.5 lbs (6.6 kg) EK1240L – 15 lbs. (6.8 kg) EK1240KL – 15 lbs. (6.8 kg)
Battery	18V 4.0 Ah Li-ion
Est. Cycles per Charge	90

* EK1230 and EK1240 are UL and cUL classified with Anderson®, Blackburn®, Burndy®, ILSCO®, Panduit®, Penn-Union® and Thomas & Betts® copper and aluminum color-coded lugs and splices when used with Greenlee KC12 and KA12 crimping dies.



Crimping Dies for 12-Ton Tools
Crimping dies on page 34

CAT. NO.	UPC NO.	DESCRIPTION
EK1230L11	52068	12-Ton Battery-Powered Crimping Tool, 1.2" (30 mm) opening, 120 V Charger
EK1230L12	52069	12-Ton Battery-Powered Crimping Tool, 1.2" (30 mm) opening, 12 V Charger
EK1230L22	52070	12-Ton Battery-Powered Crimping Tool, 1.2" (30 mm) opening, 230 V Charger
EK1230L120	52071	12-Ton Crimping Tool w/120V AC Adapter
EK1230L230	52072	12-Ton Crimping Tool w/230V AC Adapter
EK1230LB	01154	EK1230 Bare Crimper, 30mm
EK1240L11	10227	12-Ton Battery-Powered Crimping Tool, 1.65" (42 mm) opening, 120 V Charger
EK1240L12	10229	12-Ton Battery-Powered Crimping Tool, 1.65" (42 mm) opening, 12 V Charger
EK1240L22	10231	12-Ton Battery-Powered Crimping Tool, 1.65" (42 mm) opening, 230 V Charger
EK1240L120	10234	12-Ton Crimping Tool w/120V AC Adapter
EK1240L230	10237	12-Ton Crimping Tool w/230V AC Adapter
EK1240LB	01155	EK1240 Bare Crimper, 40mm
EK1240CLB	01156	EK1240 Bare Crimper, 40mm PVC COV
EK1240KLB	01157	EK1240 Bare Crimper, Kearney
EK1240CL11	52043	12-Ton Battery-Powered Crimping Tool, 1.65" (42 mm) opening, PVC covered, 120 V Charger
EK1240CL12	52044	12-Ton Battery-Powered Crimping Tool, 1.65" (42 mm) opening, PVC covered, 12 V Charger
EK1240CL22	52045	12-Ton Battery-Powered Crimping Tool, 1.65" (42 mm) opening, PVC covered, 230 V Charger
EK1240CL120	52046	12-Ton Crimping Tool w/120V AC Adapter
EK1240CL230	52047	12-Ton Crimping Tool w/230V AC Adapter
EK1240KL11	12566	12-Ton Battery-Powered Crimping Tool, Kearney head, 120 V Charger
EK1240KL12	12567	12-Ton Battery-Powered Crimping Tool, Kearney head, 12 V Charger
EK1240KL22	12569	12-Ton Battery-Powered Crimping Tool, Kearney head, 230 V Charger
EK1240KL120	12568	12-Ton Crimping Tool w/120V AC Adapter
R 52176	52176	18V 4.0 Ah Li-ion Battery
R 10118	10118	EK1230L & EK1240L Carrying Case
A 12274	12274	Carrying Strap
R 52178	52178	120V Charger
R 52179	52179	230V Charger
R 52180	52180	12V Charger

Gator® Battery-Powered 15-Ton Crimping Tool

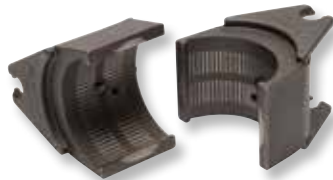


EK1550FTLU11

AVAILABLE AS
BARE TOOL



15-TON



UA15T



Crimping Dies for 12-Ton Tools
Crimping dies on page 34



- Intelli-CRIMP™ Technology includes a pressure sensor that monitors the crimping force of each crimp and provides the operator a visual and audible alert if the force is below specifications
- Automatic Retraction Stop (ARS) retracts the ram just enough to get ready for the next cycle, saving time and energy
- 18V Li-ion battery provides 70% more cycles per charge and faster cycle times
- Accepts P-style die to crimp splices and lugs up to 1500 kcmil copper and 1250 kcmil aluminum
- Accepts Greenlee KC12, KA12, and KD12 crimping dies
- Light weight flip-top head with patented quick release locking pin
- 2" jaw opening
- Crimping head rotates 350°
- Battery recharges in 40 minutes

SPECIFICATIONS

Capacity	Color-coded copper lugs and splices: #8 to 1500 kcmil (MCM) color-coded lugs and splices: #8 to 1250 kcmil (MCM)
Crimping Force at 10,000 psi	30,000 lbs (135kN)
Battery	18 V, 4.0 Ah, Li-ion
Weight	16.3 lbs (7.4kg)
Length	18.5" (470mm)
Width	3" (76mm)
Height	13.5" (343mm)

**EK1550FTLU tools are UL and cUL classified with Anderson, Blackburn, Burndy, ILSCO, Panduit, Penn-Union and Thomas & Betts copper and aluminum color coded lugs and splices when used with 48802 die adapters and with Greenlee KC12 and KA12 crimping dies.*

CAT. NO.	UPC NO.	DESCRIPTION
EK1550FTLU11	00788	15 Ton, Flip Top, Battery Powered Crimping Tool with 120 V Charger
EK1550FTLU12	00789	15 Ton, Flip Top, Battery Powered Crimping Tool with 12 V Charger
EK1550FTLU22	00902	15 Ton, Flip Top, Battery Powered Crimping Tool with 230 V Charger
EK1550FTLU120	00790	15 Ton, Flip Top, Battery Powered Crimping Tool with 120 V AC Adapter
EK1550FTLU230	00792	15 Ton, Flip Top, Battery Powered Crimping Tool with 230 V AC Adapter
A UA15T	00260	Die-Adaptors - Greenlee "U" style dies, Burndy "U" style dies, IlSCO ILD style dies, T&B 15500 style dies, Blackburn 15500 style dies
R 23492	23492	Handle
R 52176	52176	18V, 4.0 Ah, Li-ion Battery
R 52178	52178	120V Charger
R 52179	52179	230V Charger
R 52180	52180	12V Charger

Gator® Battery-Powered 15-Ton Crimping Tool



EK1550L11



15-TON

- Intelli-CRIMP™ Technology includes a pressure sensor that monitors the crimping force of each crimp and provides the operator a visual and audible alert if the force is below specifications
- Automatic Retraction Stop (ARS) retracts the ram just enough to get ready for the next cycle saving time and energy
- LED light provides the operator with the battery charge and tool maintenance status
- Two-stage hydraulic system provides fast advance and power speeds, saving time
- One trigger controls all tool functions
- Tools automatically retract when the crimping cycle is complete
- Smart chargers maximize battery life
- Accepts Kearney PH4/P14 dies without adapter
- Assist handle is included to provide better balance for the tool

SPECIFICATIONS

Capacity

BATTERY POWERED

Color-coded copper lugs and splices, 8 AWG to 1000 kcmil (MCM). Color-coded aluminum lugs and splices, 8 AWG to 1000 kcmil (MCM).

Crimping Force

30,000 lb (134 kN)

Length

19-5/8" (498 mm)

Height

15" (381 mm)

Weight

19 lbs. (8.5 kg)

Battery

18 V, 4.0 Ah, Li-ion

Battery Charge Time

40 minutes

Est. Cycles per Charge

50

*EK1550L tools are UL and cUL classified with Anderson, Blackburn, Burndy, ILSCO, Panduit, Penn-Union and Thomas & Betts copper and aluminum color coded lugs and splices when used with 48802 die adapters and with Greenlee KC12 and KA12 crimping dies.

CAT. NO.	UPC NO.	DESCRIPTION
EK1550L11	52150	15-Ton Battery-Powered Crimping Tool w/120 V charger
EK1550L12	52151	15-Ton Battery-Powered Crimping Tool w/12 V charger
EK1550L22	52152	15-Ton Battery-Powered Crimping Tool w/230 V charger
EK1550L120	52152	15-Ton Battery-Powered Crimping Tool w/120 V AC Adapter
EK1550L230	52154	15-Ton Battery-Powered Crimping Tool w/230 V AC Adapter
EK1550FTLUB	01148	EK1550FT Bare Crimp Tool, 15T
EK1550LB	01149	EK1550 Bare Crimp Tool, 15T
48820	48820	Die Adapters - Burndy P dies (Y46), IlSCO ILD-P dies
48788	48788	Die Adapters - T&B 15600 dies, Blackburn 15600 dies
48802	48802	Die Adapters - Greenlee 12-Ton dies, Burndy 12-Ton dies, IlSCO ILD dies, T&B 15500 dies, Blackburn 15500 dies
48824	48824	Die Adapters - Kearney PH2/WH2
12274	12274	Carrying Strap
52176	52176	18 V, 4.0 Ah, Li-ion Battery
10118	10118	Carrying Case
52178	52178	120V Charger
52179	52179	230V Charger
52180	52180	12V Charger

DIELESS CRIMPING

Gator® 6-Ton Battery-Powered Dieless Crimping Tool

NEW PRODUCT

AVAILABLE AS
BARE TOOL

CLASSIFIED
UL US

Intelli-CRIMP™

18V
Lithium-Ion

LED



DIELESS

6-TON



EK6IDL11

- Lightest indenting tool in the market; ideal for tight spaces
- Tool marking – provides clear marking of crimped connectors
- Flip top style rotating head
- Intelli-CRIMP™ technology measures pressure and amperage 32 times a second
- Two-stage telescopic design identifies correct pressure to apply
- Single trigger operation for controlling all tool functions
- Broad crimp range – standard in fine stranded wire classes
- Gator Eye compatible – get the most out of your tools with work history reports, performance logs, and much more

CAT. NO.	UPC NO.	DESCRIPTION
N EK6IDL11	02827	Variable 6 Ton Dieless Crimping Tool, 120V Charger
N EK6IDL12	02828	Variable 6 Ton Dieless Crimping Tool, 12V Charger
N EK6IDL22	02829	Variable 6 Ton Dieless Crimping Tool, 230V Charger
N EK6IDL120	02830	Variable 6 Ton Dieless Crimping Tool, 120V Adapter
N EK6IDL230	02831	Variable 6 Ton Dieless Crimping Tool, 230V Adapter
N EK6IDLB	02832	Variable 6 Ton Dieless Crimping Tool, Bare
Accessories & Replacement Parts		
R 52178	52178	120V Charger
R 52179	52179	230V Charger
R 52180	52180	12V Charger
R 52177	52177	18V 2.0 Ah Li-Ion Battery
R 52176	52176	18V 4.0 Ah Li-Ion Battery
R KK50LGL	25752	Carrying Case (In-Line)
A GATOR-EKG	19254	Gator Eye Programming Device

SPECIFICATIONS

Crimping Force	Variable 6-Ton (30-60 kN)
Head Rotation	350°
Battery	18V, 1.3 Ah, Li-Ion
Cycles Per Charge	100-300
Weight with Battery	5.5 lbs (2.5 kg)
Height	15" (380 mm)

APPROVED WIRE CLASSES

Standard Strand	
Wire Classes - B; C	
Copper	#8 - 500 kcmil (MCM)
Aluminum	1/0 - 350 kcmil (MCM)
Fine Strand - Copper	
Wire Classes - G; H; I; K; M	#8 - 350 kcmil (MCM)
DLO - Copper	
Locomotive	#8 - 373.7 kcmil (MCM)

Note: Please contact Greenlee Customer Service for specific wire class certifications.

Gator® Battery-Powered Quad-Point Dieless Crimping Tools



DIELESS



6.2-TON

SPECIFICATIONS

BATTERY POWERED

Capacity*	See crimping tool capacity chart on page 5
Crimping Force	12,400 lbs (55 kN)
Length	EK06ATL & EK06ATCL – 14"(355 mm) EK06FTL – 14-7/8" (378 mm)
Weight	EK06ATL & EK06ATCL – 12 lbs. (5.4 kg) EK06FT – 11 lbs. (5 kg)
Battery	18V 4.0 Ah Li-ion
Battery Charge Time	25 minutes

*FT tools are UL and cUL classified with #4AWG – 750 kcmil (MCM) copper color-coded connectors and #6AWG – 750 kcmil (MCM) aluminum color-coded connectors of the following brands: Anderson, Blackburn, FCI Burndy, IlSCO, Panduit, Penn-Union, and Thomas & Betts.

AT tools are UL and cUL classified with #4 – 500 kcmil (MCM) copper color-coded connectors of the following brands: Anderson, Blackburn, FCI Burndy, ILSCO, Panduit, Penn-Union, & Thomas & Betts.

- Intelli-CRIMP™ Technology includes a pressure sensor that monitors the crimping force of each crimp and provides the operator a visual and audible alert if the force is below specifications
- State of the art 18V lithium ion (Li-ion) battery provides 70% more cycles per charge and faster cycle times
- Automatic Retraction Stop (ARS) retracts the ram just enough to get ready for the next cycle saving time and energy
- LED light provides the operator with the battery charge and tool maintenance status
- The two-stage hydraulic system provides fast advance and power speeds which saves time
- Forward handle position improves tool balance
- One trigger controls all tool functions
- Crimping head rotates 350°
- Tools automatically retract when the crimping cycle is complete
- Overmolded tacky grip areas make gripping the tool easier and more comfortable
- Smart chargers maximize battery life
- Flip-top style uses a pull pin to open head for easy removal from the connector
- U.S. Patents #6,206,663 and #6,065,326

CAT. NO.	UPC NO.	DESCRIPTION
EK06ATL11	52053	Quad-Point Battery-Powered Crimping Tool, Open Head Dieless, 120 V Charger
EK06ATL12	52054	Quad-Point Battery-Powered Crimping Tool, Open Head Dieless, 12 V Charger
EK06ATL22	52055	Quad-Point Battery-Powered Crimping Tool, Open Head Dieless, 230 V Charger
EK06ATL120	52056	Quad-Point Crimping Tool w/120V AC Adapter
EK06ATL230	52057	Quad-Point Crimping Tool w/230V AC Adapter
EK06ATLB	01158	EK06AT Bare Dieless Crimper
EK06ATCL11	52058	Quad-Point Battery-Powered Crimping Tool, Open Rubber Covered Head Dieless, 120 V Charger
EK06ATCL12	52059	Quad-Point Battery-Powered Crimping Tool, Open Rubber Covered Head Dieless, 12 V Charger
EK06ATCL22	52060	Quad-Point Battery-Powered Crimping Tool, Open Rubber Covered Head Dieless, 230 V Charger
EK06ATCL120	52061	Quad-Point Crimping Tool w/120V AC Adapter
EK06ATCL230	52062	Quad-Point Crimping Tool w/230V AC Adapter
EK06FTL11	52063	Quad-Point Battery-Powered Crimping Tool, Flip-Top Head Dieless, 120 V Charger
EK06FTL12	52064	Quad-Point Battery-Powered Crimping Tool, Flip-Top Head Dieless, 12 V Charger
EK06FTL22	52065	Quad-Point Battery-Powered Crimping Tool, Flip-Top Head Dieless, 230 V Charger
EK06FTL120	52066	Quad-Point Crimping Tool w/120V AC Adapter
EK06FTL230	52067	Quad-Point Crimping Tool w/230V AC Adapter
EK06FTLB	01159	EK06FT Bare Dieless Crimper
52176	52176	18V 4.0 Ah Li-ion
10118	10118	Carrying Case
12274	12274	Carrying Strap
52178	52178	120V Charger
52179	52179	230V Charger
52180	52180	12V Charger

Gator® Dieless Crimping Tools



EK12IDL

AVAILABLE AS
BARE TOOL

CLASSIFIED
cUL US

IntelliCRIMP™

ARS

18V
Lithium-Ion

LED



DIELESS

SPECIFICATIONS

EK12IDL	
Crimping Force:	24,000 lbs. (106 kN)
Length	16 1/2" (420 mm)
Height	14 1/2" (368 mm)
Weight	15 lbs (6.8 kg)
Battery	18V 4.0 Ah Li-ion
Battery Charge Time:	40 minutes
Capacity*	<ul style="list-style-type: none"> • Copper Color Coded Lugs and Splices: 4 AWG to 1000 kcmil* • Aluminum Color Coded Lugs and Splices: 6 AWG to 1000 kcmil*

*UL and cUL classified with Anderson®, Blackburn®, Burndy®, ILSCO®, Panduit®, Thomas & Betts®, Penn-Union® and Tyco® color-coded connectors.

- Intelli-CRIMP™ Technology includes a pressure sensor that monitors the crimping force of each crimp and provides the operator a visual and audible alert if the force is below specifications
- State of the art 18V lithium ion (Li-ion) battery provides 70% more cycles per charge and faster cycle times
- Automatic Retraction Stop (ARS) retracts the ram just enough to get ready for the next cycle saving time and energy
- LED light provides the operator with the battery charge and tool maintenance status
- Two-stage hydraulic system provides fast advance and power speeds, saving time
- Forward handle position improves tool balance
- One trigger controls all tool functions
- Crimping head rotates 350°
- Tools automatically retract when the crimping cycle is complete
- Overmolded tacky grip areas make gripping the tool easier and more comfortable
- Smart chargers maximize battery life
- Flip open crimping head will allow crimping of 4 AWG - 1000 kcmil copper or 6 AWG - 1000 kcmil aluminum with no dies to change

CAT. NO.	UPC NO.	DESCRIPTION
EK12IDL11	52048	Battery-Powered Dieless Crimping Tool, 115 V Battery Charger
EK12IDL12	52049	Battery-Powered Dieless Crimping Tool, 12 V Battery Charger
EK12IDL22	52050	Battery-Powered Dieless Crimping Tool, 230 V Battery Charger
EK12IDL120	52051	Crimping Tool w/120V AC Adapter
EK12IDL230	52052	Crimping Tool w/230V AC Adapter
B EK12IDLB	01128	EK12ID Bare Dieless Crimper
A 12274	12274	Carrying Strap
R 52178	52178	120V Charger
R 52179	52179	230V Charger
R 52180	52180	12V Charger
R 52176	52176	18V 4.0 Ah Li-ion Battery
R 10118	10118	EK12IDL Carrying Case

RK425 Gator® Remote-Powered Crimping Tool



RK425 shown with crimping jaw CJD30 (sold separately)

CAT NO.	UPC NO.	DESCRIPTION
RK425	01577	6-Ton Remote Crimping Tool
CJD3	03242	Crimping Jaw with single D die groove
CJD3BG	84515	Crimping Jaw Unit - D and BG die grooves
CJD30	87514	Crimping Jaw Unit - D and O die grooves
CJK	04829	Crimping Jaw Unit for Kearney "O" dies
CJB	84513	Cutting Jaw for one-time disposable lock hasps
CJXPJ	84512	Crimping Jaw with Nicopress X, P, & J die grooves

SPECIFICATIONS

Crimping Force	6-Tons (54 kN)
Length (with jaws)	15" (381 mm)
Width (head open)	4" (108 mm)
Weight (with jaws)	4 lbs. (1.8 kg)
Crimp Cycle Time	~4 seconds

CONNECTOR CAPACITY

5/8" Service Entrance Connectors	10-1/0 AWG
.840 Service Entrance Connectors	1/0-4/0 AWG
Aluminum "H" Taps	6-4/0 AWG
Copper "H" Taps	10-2 AWG
Copper Tension Splices	6-2/0 AWG
All Aluminum Tension Splices	6-4/0 AWG
One Piece ACSR Tension Splices	4-1/0 AWG
Two Piece ACSR Tension Splices	2 AWG-477 kcmil
Aluminum Jumper Splices	4 AWG-266.8 kcmil
Stirrups	2-4/0 AWG
Aluminum color-coded lugs and splices	8-4/0 AWG

CRIMPING JAW COMPATIBILITY

CRIMPING JAW COMPATIBILITY	BRAND	TYPE/SERIES
CJD3BG	Greenlee®	KD6 Series
CJD30	FCI Burndy®	W, X Series
CJD3	IlSCO®	ND Series
CJK*	Huskie®	HT-58 Series
*Requires F020735 Adapters	Panduit®	CD-2001 Series
CJK	Kearney™	Dies for Type "O" tools
CJXPJ	Nicopress	Connectors that require the X, P or J tool grooves

CUTTING JAW COMPATIBILITY

CJB	<ul style="list-style-type: none"> One time disposable lock hasps 4 AWG Alumoweld ACSR 1/0
-----	--

Dies for use with service entrance connectors, c-taps, h-taps, overhead and underground connectors (Use with EK425L with CJD3, CJD3BG & CJD30 jaws). Use with EK425L with CJK jaws with F020735 adapters.

"W"-STYLE DIES

CAT. NO.	UPC NO.	BURNDY NO.
KD6-10	10165	W-BG
KD6-11	10166	W-O
KD6-12	10167	W-C
KD6-13	10168	W-K840
KD6-14	10169	W-161
KD6-15	10170	W-162
KD6-16	10171	W-163
KD6-17	10172	W-165
KD6-18	10173	W-166
KD6-19	10174	W-243
KD6-20	10175	W-247
KD6-21	10176	W-249
KD6-22	10177	W-164
KD6-24	10179	W-237
KD6-25	10180	W-239
KD6-27	10182	W-28K



CJD3BG



CJD30



CJD3



CJK



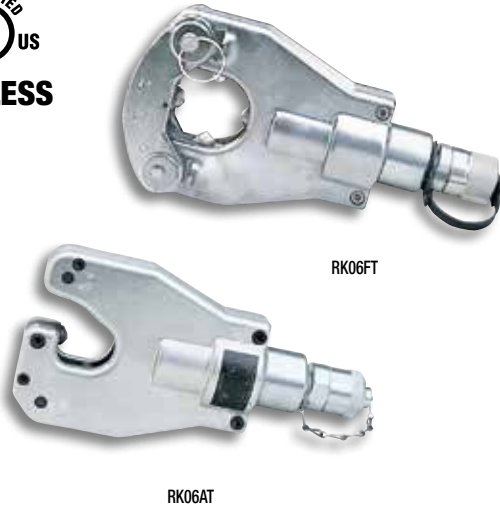
CJB



CJXPJ

Quad-Point Dieless Remote-Powered Crimping Heads

CLASSIFIED
UL
DIELESS



- Utilizes four indentors to make the crimp
- Operates from 10,000 psi (700 bar) hydraulic pumping sources
- Small and lightweight for difficult-to-reach locations
- Equipped with 3/8 in. male screw-type couplers
- Flip-top style uses a pull pin to open head for easy removal from the connector
- Includes carrying case, test gauge and test slugs
- See pages 19, 57, 82, and 83 for hose and pump selection

SPECIFICATIONS

Capacity*	See crimping tool capacity chart on page 7.
Crimping Force	6.2 tons (55 kN)
Length	RK06AT – 10" (254 mm); RK06FT – 10-1/2" (267 mm)
Weight	6.2 lbs. (2.8 kg)

CAT. NO.	UPC NO.	DESCRIPTION
RK06AT	06066	Remote Powered Quad-Point Crimping Tool, Open Head Dieless
RK06FT	06197	Remote Powered Quad-Point Crimping Tool, Flip-Top Head Dieless

*FT tools are UL and cUL classified with #4AWG – 750 kcmil (MCM) copper color-coded connectors and #6AWG – 750 kcmil (MCM) aluminum color-coded connectors of the following brands: Anderson, Blackburn, FCI Burndy, IlSCO, Panduit, Penn-Union, and Thomas & Betts.

AT tools are UL and cUL classified with #4 – 500 kcmil (MCM) copper color-coded connectors of the following brands: Anderson, Blackburn, FCI Burndy, ILSCO, Panduit, Penn-Union, & Thomas & Betts.

12-Ton Remote-Powered Crimping Heads

CLASSIFIED
UL
C



- Use Greenlee KC12, KA12 and KD12 crimping dies as well as industry "U" type dies
- New head designs result in lower weight and improved durability – tested to 50,000 crimp cycles
- Boss included on each crimping head for use with hotsticks
- Easy to get into tight locations, light weight makes them excellent choices for hotstick use
- Single-acting tools require an external hydraulic pump capable of 10,000 psi (700 bar)
- Equipped with a 3/8" male screw-type coupler
- Capable of crimping a wide range of lugs, C-taps, H-taps and overhead tension sleeves
- Covered head models have two layers of PVC that total approximately 3/16" (4.8 mm) thick. The outer layer is black and the inner layer is red.
- Includes carrying case
- Intellicrimp™ features available when used with Greenlee EHP700L
- See pages 19, 57, 82, and 83 for hose and pump selection

SPECIFICATIONS

Capacity*	8 AWG to 750 kcmil copper color-coded lugs and splices. See crimping tool capacity chart on pg. 7 for additional capabilities
Crimping Force	24,000 lbs (106 kN)
Length	11-7/8" (302 mm)
Weight	RK1240 – 9.7 lbs. (4.4 kg)
Max. Operating Pressure	10,000 psi (700 bar)

CAT. NO.	UPC NO.	DESCRIPTION
RK1240	05351	12-Ton Remote-Powered Crimping Head, 1.65" (42 mm) opening
RK1240C	07205	12-Ton Remote-Powered Crimping Head, 1.65" (42 mm) opening, PVC covered

*RK1240 are UL and cUL classified with Anderson, Blackburn, FCI Burndy, ILSCO, Panduit, Penn-Union and Thomas & Betts copper and aluminum color coded lugs and splices when used with Greenlee KC12 and KA12 crimping dies.



Crimping Dies for 12-Ton Tools
Crimping dies on page 34

RK12CX / RK12ID



RK12ID

- Dieless indent style crimping head does not require interchangeable crimping dies
- Greenlee battery-powered crimping tools now use bio-degradable oil
- Flip open crimping head will allow crimping of 4 AWG - 1000 kcmil copper or 6 AWG - 1000 kcmil aluminum with no dies to change
- Equipped with 3/8 in. male screw-type coupler for quick attachment
- Single acting tools require an external hydraulic pump
- Capable of 10,000 PSI (700 bar)
- Includes carrying case

SPECIFICATIONS	RK12CX	RK12ID
Capacity*		4AWG - 1000 kcmil copper or 6AWG kcmil aluminum and no dies to change.
Crimping Force	24,000 lbs (106 kN)	24,000 lbs (106 kN)
Length (mm)	12.75 in. (324 mm)	13 in. (330 mm)
Width (mm)	4.25 in. (108 mm)	3.75 in. (95 mm)
Depth	2 in. (51 mm)	2 in. (51 mm)
Weight (kg)	9.75 lbs. (4.42 kg)	9.75 lbs. (4.42 mm)
Max. Operating Pressure	10,000 PSI (700 bar)	10,000 PSI (700 bar)

* Copper Color Coded Lugs and Splices: 4 AWG to 1000 kcmil, Aluminum Color Coded Lugs and Splices: 6 AWG to 1000 kcmil*



RK12CX

CAT. NO.	UPC NO.	DESCRIPTION
RK12ID	01566	12 Ton Remote Multi-Tool
RK12CX	01565	Dieless 12-Ton Remote Crimping Tool
UA12T	20158	Adapter for "U" dies
UC40	07036	Cutter Blades AL & CU 1-1/2" capacity
UCUNC38	07039	Cutter Blades for 3/8" threaded rod
UA12P	11890	Punch Driver Adapter (accepts 3/4" draw stud)
UA12ID	00803	Dieless Crimp Adaptor

CCX Tool Accessories (optional, all in pairs except punch driver)



UA12T



UA12ID



UC40



UCUNC38



UA12P

15-Ton Remote Powered Crimping Tool



RK1550

- Accepts Kearney PH4/PH14 dies without adapters
- Zinc-plated head resists corrosion better than other finishes
- Hot stick attachment point is standard
- Operates with most 10,000 psi (700 bar) hydraulic sources
- Equipped with 3/8" male screw-type 10,000 psi (700 bar) coupler
- Includes carrying case
- Intelli-CRIMP™ features available when used with Greenlee EHP700L
- See pages 19, 57, 82, and 83 for hose and pump selection

SPECIFICATIONS

Capacity*	Color-Coded copper lugs and splices: #8 to 1500 kcmil (MCM) Color-Coded aluminum lugs and splices: #8 to 1000 kcmil (MCM) For other connector types, see the capacity chart on page 5
Crimping Force at 10,000 psi (700 bar)	30,000 lbs (133 kN)
Length	15" (380 mm);
Width	3" (76 mm)
Height	5-3/8" (135 mm)
Weight	14.1 lbs. (6.4 kg)
Operating Pressure	10,000 psi (700 bar)

*UL and cUL classified with Anderson, Blackburn, FCI Burndy, ILSCO, Panduit, Penn-Union and Thomas & Betts copper and aluminum color-coded lugs and splices up to 750kcmil using 48802 die adapters when used with Greenlee KC12 and KA12 crimping dies.

CAT. NO.	UPC NO.	DESCRIPTION
RK1550	05353	15-Ton Single-Acting Remote-Powered Crimping Tool
48820	48820	Die Adapters – Burndy P dies (Y46), IlSCO ILD-P dies
48788	48788	Die Adapters – T&B 15600 dies, Blackburn 15600 dies
48802	48802	Die Adapters – Greenlee U dies, Burndy U dies, IlSCO ILD dies, T&B 15500 dies, Blackburn 15500 dies
48824	48824	Die Adapters – Kearney PH2/WH2 dies

High Pressure 15-Ton Remote Powered Crimping Head



RK1550FT

- Accepts P-style die to crimp splices and lugs up to 1500 kcmil copper and 1250 kcmil aluminum
- Accepts Greenlee KC12, KA12, and KD12 crimping dies as well as industry U-style dies with optional UA15T adapters
- Light weight flip-top head with patented quick release locking pin
- 2" jaw opening
- Operates with 10,000 psi hydraulic sources.
- Equipped with 3/8" male screw-type 10,000 psi coupler
- Crimping head rotates 350°

SPECIFICATIONS

Capacity*	Color-coded copper lugs and splices: #8 to 1500 kcmil (MCM) color-coded lugs and splices: #8 to 1250 kcmil (MCM)
Crimping Force at 10,000 psi (700 bar)	30,000 lbs (135 kN)
Length	13.75" (349mm)
Width	3" (76 mm)
Height	5" (127mm)
Weight	11.4 lbs (5.2kg)
Operating Pressure	10,000 psi (700 bar)

CAT. NO.	UPC NO.	DESCRIPTION
RK1550FT	00552	15 Ton, Flip Top, Remote Head Crimping Tool
UA15T	00260	Die-Adaptors - Greenlee "U" style dies, Burndy "U" style dies, IlSCO ILD style dies, T&B 15500 style dies, Blackburn 15500 style dies
23492	23492	Handle

BATTERY-POWERED HYDRAULIC PUMPS

EHP700LU Hydraulic Battery-Powered Pump

AVAILABLE AS
BARE TOOL

Intelli-CRIMP™
INTELLIGENT CRIMPING SYSTEM™

RSR

18V
Lithium-Ion



EHP700LU

- Loaded with intelligent features such as a multi-function pressure sensor, self-diagnostics, and a real-time LED readout
- Versatile battery pump can crimp, cut and punch with up to 10,000 psi of pressure
- Mode dial enables the user to select between three primary intelligent program settings: CRIMP, CUT and PUNCH
- Each setting provides specific pressure functionality for the job at hand
- Future Proof settings allow for a variety of additional functions to be programmed into the pump via a bi-directional optical connection
- Intelli-CRIMP™ technology monitors the crimping process, ensuring the correct amount of pressure is applied for each crimp
- Real-Time Monitoring is displayed via LED screen and recorded for statistics
- Automatic Retraction detects pressure drop from completed action and releases pressure, preventing damage to head
- Manual Retraction allows user to retract head to starting position at any time

SPECIFICATIONS

Operating pressure	10,000 psi (700 bar)
Oil volume	0.80 qt (0.76l)
Flow rate of double stage pump	
Low pressure range	up to 0.9 l/min
At full pressure	0.3 l/min
Degree of protection	IP43
Battery voltage	18V
Battery capacity	4.0 Ah, Li-Ion
Number of batteries	2 - 1 active, 1 stored
Charging time	40 minutes
Ambient temperature	10°F - 104°F (-12°C to 40°C)
Weight without batteries	10.8 lbs. (4.9 kg)
Weight with 2 batteries	14.1 lbs.
Length	14.0" (356mm)
Width	6.5" (165mm)
Height	11.5" (292mm)

B

CAT. NO.	UPC NO.	DESCRIPTION
EHP700LU11	00754	Power Pump, Bat 120V Chrgr
EHP700LU12	00755	Power Pump, Bat 12V Chrgr
EHP700LU22	00757	Power Pump, Bat 230V Chrgr
EHP700LU120	00756	Power Pump, 120V Adapter
EHP700LU230	00758	Power Pump, 230V Adapter
EHP700LUB	01150	EHP700 Bare Pump
HTA4GL	00759	Remote Control
TG3	01054	Strap
EAC18120	52191	Adapter, Ac - 120V To 18V
EAC18230	52192	Adapter, Ac - 230V To 18V
52176	52176	Battery, 18V Li Ion 3.0Ah
52178	52178	Charger, Battery 120V
52179	52179	Charger, Battery 230V
52180	52180	Charger, Battery 12V
25766	25766	Adapter, Charger 18V Li To 12V Ni
EL122/32	02042	Hydraulic Fluid, Biodegradable
17707	17707	Hose Assy, 1/4" X 10' 3/8M&1/4M Filled
05850	05850	Hose Assy, 1/4" X 10' 3/8M&3/8F Filled
01058	01058	Hose Assy, 1/4" X 6' 3/8M&1/4M Filled
01059	01059	Hose Assy, 1/4" X 6' 3/8M&3/8F Filled



Non-Conductive Hoses for EHP700LU

Non-Conductive hoses on page 24.

Gator® Pack



GATOR-PK

- Loaded with intelligent features such as a multi-function pressure sensor, self-diagnostics, and a real-time LED readout
- Hi-Vis vinyl material
- Triple reinforced hang tab (SWL = 125lbs.)
- Water resistant
- Three adjustment straps for comfort
- Three internal compartments for safe and secure transport
- Three external pouches for batteries, gloves, and accessories

CAT. NO.	UPC NO.	DESCRIPTION
GATOR-PK	02274	Utility Backpack

SPECIFICATIONS (W x H x D)

Top	15" x 10" x 9" (1350 Cubic Inches)
Front	15" x 8" x 4" (480 Cubic Inches)
Sides	8" x 5" x 2" (80 Cubic Inches)

Ideal carrying weight is approximately 1/5 of user's weight.

60-Ton Crimping Tool



- Ideal tool for use in substation and transmission construction
- Accepts Burndy "L" dies and Alcoa "6000 Series" crimping dies
- After completing a connection, the top of the head easily swivels 90° and can be lifted from the tool to remove the connector
- Removing the tool from the stand exposes a lifting eye for when the tool must be used above ground level
- RK6040 requires 10,000 psi (700 bar) single-acting hydraulic power source
- DK6040 requires 10,000 psi (700 bar) double-acting hydraulic power source
- Equipped with 3/8" screw type hydraulic couplers
- Includes steel carrying case with storage space for dies

SPECIFICATIONS	RK6040	DK6040
Crimping force at 10,000 psi (700 bar)	120,000 lbs. (530 kN)	120,000 lbs. (530 kN)
Height	17" (432 mm)	17" (432 mm)
Width	6" (153 mm)	6" (153 mm)
Weight	45 lb. (20 kg)	52 lbs (23.5 kg)
Operating Pressure	10,000 psi (700 bar)	10,000 psi (700 bar)
Oil Volume Required	.75 Pint (312 cc)	.75 Pint (312 cc)

CAPACITIES	
Copper Stranded Code Cable	300 kcmil-2000 kcmil
Aluminum Stranded Code Cable	250 kcmil-2000 kcmil
Copper Tension Sleeves	1/0 AWG-1000 kcmil
Aluminum Tension Sleeves	1/0 AWG-2300 kcmil
ACSR Tension Sleeves	1/0 AWG-2156 (Bluebird) kcmil
Copper Aerial Connectors	4/0 AWG-2500 kcmil
Aluminum Aerial Connectors	3/0 AWG-2500 kcmil

CAT. NO.	UPC NO.	DESCRIPTION
RK6040	10604	60-Ton Crimping Tool - Single Acting
DK6040	12661	60-Ton Crimping Tool - Double Acting

Dynapress Hydraulic Intensifier



- Small and compact, the HB10 operates 10,000 psi (700 bar) remote head tools
- Able to operate on either Open- or Closed-Center hydraulic systems without making any changes to the tool
- Uses the proven, versatile Dynapress remote control valves and hose sets
- Supplied with pressure and return high pressure (10,000 psi/700 bar) screw-type couplers (HTMA couplers ordered separately)
- Supplied with convenient foldable carrying handle, and can be permanently mounted

SPECIFICATIONS

System	Open- and Closed-Center
Low Pressure Side	
Input Pressure	1,000 - 2,200 psi (69 - 152 bar)
Input Flow	4 - 8 gpm (15 - 30 lpm)
Max. Back Pressure	200 psi (13.8 bar)
Port Sizes	3/4" - 16 SAE O-ring (pressure and return)
High Pressure Side	
Output Flow	35 cu-in/min (574 cu-cm/min)
Output Pressure	10,000 psi (700 bar)
Relief Valve Setting	10,000 psi (700 bar)
Port Sizes	1/4" - 18 NPSM (couplers provided)
Fast Advance Flow	320 cu-in/min (5,248 cu-cm/min)
Weight	10.3 lb. (4.7 kg) booster with high-pressure couplers and dry (no oil)
Length	5.6" (142 mm)
Width	4.0" (101 mm)*
Height	4.0" (101 mm)*

* Note: Width and height dimensions do not include handle, relief valve cap or couplings

CAT. NO.	UPC NO.	DESCRIPTION
HB10	49830	Dynapress Hydraulic Intensifier, 10,000 psi/700 bar output
A 54923	54923	HTMA Male Coupler
A 54925	54925	HTMA Female Coupler

Certified Non-Conductive High Pressure Hoses



NC-6-38MF

- Comes pre-charged in 6', 10', and 33' lengths
- Standard 3/8" NPT screwtype male and female fittings installed
- High pressure - up to 10,000 PSI
- Certified non-conductive
- Double rubber cap comes standard to protect fittings while not in use

CAT. NO.	UPC NO.	DESCRIPTION
A NC-6-38MF	02407	Non-Conductive Hyd Hose, 3/8 Male/Female threaded Coupler (6ft)
A NC-10-38MF	02410	Non-Conductive Hyd Hose, 3/8 Male/Female threaded Coupler (10ft)
A NC-30-38MF	02411	Non-Conductive Hyd Hose, 3/8 Male/Female threaded Coupler (10m)

Certified Non-Conductive High Pressure Hoses



138573

Certified Non-conductive High Pressure Dual Hose Set - Rated 10,000 psi (700 bar)
Rated 10,000 psi (700 bar) For use between Dynapress intensifier or electric pump and control valve. Each pair includes 3/16" (4.8 mm) I.D. pressure hoses with one 1/4" NPT male fitting on one end and high-pressure quick-disconnect on the other end.

CAT. NO.	UPC NO.	DESCRIPTION
A 138573	41107	6 ft. (1.8 m)
A 138574	41108	10 ft. (3 m)

Certified Non-conductive High Pressure Hose - Rated 10,000 psi (700 bar)
 For use between control valve and tool. 3/16" (4.8 mm) I.D. hose with 1/4 NPT male fittings on both ends

A F020721	41795	6 ft. (1.8 m)
A F020723	41796	10 ft. (3 m)

High Pressure Hydraulic Control Valves for Cutters and Crimping Tools



- May be directly connected to the tool or used remotely with hoses
- Compact 4-way, 3-position valve
- 3,000 - 4,000 psi (207 - 275 bar) return line ground dump safety valve
- Controlled advance and built-in hold feature
- Single-acting valve available to use with existing single-acting tools

SPECIFICATIONS

System	See control valve description below
Maximum Operating Pressure	10,000 psi (700 bar) return relief
Return Pressure for PVA0022	5,000 psi (350 bar)
Input Flow Range	3 - 8 gpm (12 - 30 lpm)
Weight	PVA0021: 3 lb. (1.4 kg) PVA0022: 2.8 lb. (1.3 kg)
Length	PVA0021: 9.5" (240 mm) PVA0022: 7.5" (190 mm)
Width	2" (44 mm)
Height	3.5" (89 mm)
Port Size Inlet Couplers	1/4 - 18 NPTF; Tool: 1/4 - 18 NPSM High Pressure Quick-Disconnects included, 10,000 psi (700 bar)

CAT. NO.	UPC NO.	DESCRIPTION
PVA0021	42948	Control Valve, 4-Way, 3-Position Valve for Single-Acting Tool, High Pressure Quick Disconnects included
PVA0022	42949	Control Valve, 4-Way, 3-Position Valve for Double-Acting Tool, High Pressure Quick Disconnects included

10,000 psi (700 bar) High Pressure Couplers



CAT. NO.	UPC NO.	DESCRIPTION
A 130868	40647	Male Coupler, nose half 1/4 - 18 NPSM
A 130878	40652	Female Coupler 1/4 - 18 NPSM
A 54169	54169	Male Coupler, nose half 1/4 - 18 NPTF (Used on HB10)
A F024631	42096	Female Coupler 1/4 - 18 NPTM (Used on HB10)
A F022061	41941	Male Coupler, nose half 3/8 - 18 NPTF
A F021627	41877	Female Coupler 3/8 - 18 NPTM

Low Pressure 15 Ton Crimping Tool



- Relief valve signals operator when crimp is complete
- Accepts P-style die to crimp splices and lugs up to 1500 kcmil copper and 1250 kcmil aluminum
- Accepts Greenlee KC12, KA12, and KD12 crimping dies as well as industry U-style dies with optional UA15T adapters
- Crimping head rotates 350°

SPECIFICATIONS

Capacity	Color-coded copper lugs and splices: #8 to 1500 kcmil (MCM) color-coded lugs and splices: #8 to 1250 kcmil (MCM)
System	Open and closed-center hydraulic systems
Crimping Force at 1,500 psi	30,000 lbs (133.4 kN)
Operating Pressure	1,500 - 2,000 psi (103-138 bar)
Flow Rate	3 - 9 gpm
Pressure Port	3/4 - 16 SAE O-Ring
Return Port	3/4 - 16 SAE O-Ring
Weight	25 lbs (11.3kg)
Length	23.5" (597mm)
Width	6.5" (165mm)

CAT. NO.	UPC NO.	DESCRIPTION
LPK1550FT	00490	15 Ton, Flip Top, Low Pressure Crimping Tool
UA15T	00260	Die-Adaptors - Greenlee "U" style dies, Burndy "U" style dies, IlSCO ILD style dies, T&B 15500 style dies, Blackburn 15500 style dies
23492	23492	Handle

15-Ton (13.6 t) Crimping Tool



LPK1550

- No high pressure intensifier required and crimps cable 500 MCM and larger
- Relief valve signals operator when crimp is complete
- Compatible with dies for: Kearney PH2*, PH4/PH14; Burndy Y35*, Y46*; Penn-Union TPU-15PH*; Thomas & Betts TBM 15 PF* (*Requires adapters)
- Can be converted with adapters for use with Burndy "U"-style dies and Kearney PH2 and some WH2 dies

CAT. NO.	UPC NO.	DESCRIPTION
A LPK1550	49355	Crimping Tool – 15-Ton (13.6 t) crimping force, dies and couplers not included
48820	48820	Die Adapter – Burndy Y46, Penn-Union TPU 15BH
A 48788	48788	Die Adapter – Thomas & Betts TBM 15PF
A 48802	48802	Die Adapter – 12-ton "U" Die
A 48824	48824	Die Adapter – Kearney PH2
A 54923	54923	HTMA Male Coupler
A 54925	54925	HTMA Female Coupler

SPECIFICATIONS

System	Open- and Closed-Center Hydraulic Systems
Weight	28.6 lb. (13 kg)
Length	23.8" (604.5 mm)
Width	6.5" (165 mm)
Operating Pressure	1,500 - 2,500 psi (103 - 172 bar)
Crimping Force at 1,500 psi (103 bar)	30,000 lb. (133.4 kN)
Flow Rate	3 - 9 gpm (11 - 34 lpm)
Pressure Port	3/4 - 16 SAE O-Ring
Return Port	3/4 - 16 SAE O-Ring

12-Ton (10.9 t) Crimping Tool – Kearney



LPK1240K

- No high pressure intensifier required
- Relief valve signals operator when crimp is complete
- Compatible with dies for Kearney PH-2 and PH-3 tools
- Head rotates for easy tool positioning
- Powered in both the advance and retract directions to prevent hang-ups

SPECIFICATIONS

System	Open- and Closed-Center Hydraulic Systems
Weight	19.5 lb. (8.8 kg)
Length	20.3" (515.6 mm)
Width	5.5" (139.7 mm)
Operating Pressure	1,500 - 2,500 psi (103 - 172 bar)
Crimping Force at 1,500 psi (103 bar)	24,000 lb. (106.8 kn)
Flow Rate	3 - 9 gpm (11 - 34 lpm)
Pressure Port	3/4 - 16 SAE O-Ring
Return Port	3/4 - 16 SAE O-Ring

CAT. NO.	UPC NO.	DESCRIPTION
LPK1240K	49350	Crimping Tool – 12-Ton (10.9 t) crimping force, dies and couplers not included
A 54923	54923	HTMA Male Coupler
A 54925	54925	HTMA Female Coupler
A 35887	35887	Crimping Tool Load Cell - 12 Ton

12-Ton (10.9 t) Crimping Tool – 1.20" (30 mm) Jaw



LPK1230

- No high pressure intensifier required
- Relief valve signals operator when crimp is complete
- Compatible with dies for: Burndy Y35; Alcoa 12A, 12AC, 12HA, 12HAC; Anderson HC-12, HC-12H
- Accepts standard "U"-style dies
- Head rotates for easy tool positioning
- Powered in both the advance and retract directions to prevent hang-ups

SPECIFICATIONS

Capacity (jaw opening)	1.20" (30 mm)
System	Open- and Closed-Center Hydraulic Systems
Weight	18.5 lb. (8.44 kg)
Length	19.3" (490.2 mm)
Height	7" (177.8 mm)
Operating Pressure	1,500 - 2,500 psi (103 - 172 bar)
Crimping Force at 1,500 psi (103 bar)	24,000 lb. (106.8 kN)
Flow Rate	3 - 9 gpm (11 - 34 lpm)
Pressure Port	3/4 - 16 SAE O-Ring
Return Port	3/4 - 16 SAE O-Ring

CAT. NO.	UPC NO.	DESCRIPTION
LPK1230	49340	Crimping Tool – 12-Ton (10.9 t) crimping force, dies and couplers not included
A 54923	54923	HTMA Male Coupler
A 54925	54925	HTMA Female Coupler
A 35887	35887	Crimping Tool Load Cell - 12 Ton

12-Ton (10.9 t) Crimping Tool – 1.65" (42 mm) Jaw



LPK1240

- No high pressure intensifier required
- Crimps up to 750 MCM copper and aluminum
- Relief valve signals operator when crimp is complete
- Compatible with dies for: Burndy Y35; Alcoa 12A, 12AC, 12HA, 12HAC; Anderson HC-12, HC-12H; Thomas & Betts 12-ton
- Head rotates for easy tool positioning
- Powered in both the advance and retract directions to prevent hang-ups

SPECIFICATIONS

Capacity (jaw opening)	1.65" (42 mm)
System	Open- and Closed-Center Hydraulic Systems
Weight	19.7 lb. (8.9 kg)
Length	20.3" (515.6 mm)
Width	5.5" (139.7 mm)
Operating Pressure	1,500 - 2,500 psi (103 - 172 bar)
Crimping Force at 1,500 psi (103 bar)	24,000 lb. (106.8 kN)
Flow Rate	3 - 9 gpm (11 - 34 lpm)
Pressure Port	3/4 - 16 SAE O-Ring
Return Port	3/4 - 16 SAE O-Ring

CAT. NO.	UPC NO.	DESCRIPTION
LPK1240	49345	Crimping Tool – 12-Ton (10.9 t) crimping force, dies and couplers not included
A 54923	54923	HTMA Male Coupler
A 54925	54925	HTMA Female Coupler
A 35887	35887	Crimping Tool Load Cell - 12 Ton

LP6 - 6 Ton Hydraulic Crimper/Cutter



- Interchangeable crimping and cutting jaws vs. competitive fixed jaw head
- 350° Rotating head aids in access to tight spaces
- Light weight, enabling one hand operation
- Factory installed coupler option for ease of purchase
- Spring loaded pin for quick change over jaws

SPECIFICATIONS

Crimping Force	6-Tons (54 kN)
Length (with jaws)	20-1/2" (521 mm)
Width (head open)	4-1/2" (114 mm)
Weight (with jaws)	8.4 lbs. (3.8 kg)

CONNECTOR CAPACITY

5/8" Service Entrance Connectors	10-1/0 AWG
.840 Service Entrance Connectors	1/0-4/0 AWG
Aluminum "H" Taps	6-4/0 AWG
Copper "H" Taps	10-2 AWG
Copper Tension Splices	6-2/0 AWG
All Aluminum Tension Splices	6-4/0 AWG
One Piece ACSR Tension Splices	4-1/0 AWG
Two Piece ACSR Tension Splices	2 AWG-477 kcmil
Aluminum Jumper Splices	4 AWG-266.8 kcmil
Stirrups	2-4/0 AWG
Aluminum color-coded lugs and splices	8-4/0 AWG

CRIMPING JAW COMPATIBILITY	BRAND	TYPE/SERIES
CJD3BG	Greenlee®	KD6 Series
CJD30	FCI Bumdy®	W, X Series
CJD3	IlSCO®	ND Series
CJK*	Huskie®	HT-58 Series
*Requires F020735 Adapters	Panduit®	CD-2001 Series
CJK	Kearney™	Dies for Type "O" tools
CJXPJ	Nicopress connectors	Connectors that require the X, P or J tool grooves

CUTTING JAW COMPATIBILITY

CJB	<ul style="list-style-type: none"> • One time disposable lock hasps • 4 AWG Alumoweld • ACSR 1/0
-----	---



CJD3BG



CJD30



CJD3



CJK



CJB



CJXPJ

LP6 - 6 Ton Hydraulic Crimper/Cutter

CAT NO.	UPC NO.	DESCRIPTION	JAW CONFIGURATION	COUPLERS
LP6-01	00816	6-Ton Hydraulic Crimping Tool - Bare - No Coupler - Open Center	Bare	No
LP6-02	00817	6 Ton Hydraulic Crimping Tool - Bare - No Coupler - Closed Center	Bare	No
LP6-03	00818	6-Ton Hydraulic Crimping Tool - Bare - Coupler - Open Center	Bare	Yes - 3/4-16 SAE
LP6-04	00819	6 Ton Hydraulic Crimping Tool - Bare - Coupler - Closed Center	Bare	Yes - 3/4-16 SAE
LP6-05	00821	6-Ton Hydraulic Crimping Tool - CJD3BG - No Coupler - Open Center	CJD3BG	No
LP6-06	00822	6 Ton Hydraulic Crimping Tool - CJD3BG - No Coupler - Closed Center	CJD3BG	No
LP6-07	00823	6-Ton Hydraulic Crimping Tool - CJD3BG - Coupler - Open Center	CJD3BG	Yes - 3/4-16 SAE
LP6-08	00824	6 Ton Hydraulic Crimping Tool - CJD3BG - Coupler - Closed Center	CJD3BG	Yes - 3/4-16 SAE
LP6-09	00825	6-Ton Hydraulic Crimping Tool - CJD30 - No Coupler - Open Center	CJD30	No
LP6-10	00826	6 Ton Hydraulic Crimping Tool - CJD30 - No Coupler - Closed Center	CJD30	No
LP6-11	00833	6-Ton Hydraulic Crimping Tool - CJD30 - Coupler - Open Center	CJD30	Yes - 3/4-16 SAE
LP6-12	00834	6 Ton Hydraulic Crimping Tool - CJD30 - Coupler - Closed Center	CJD30	Yes - 3/4-16 SAE
LP6-13	00836	6-Ton Hydraulic Crimping Tool - CJD3 - No Coupler - Open Center	CJD3	No
LP6-14	00837	6 Ton Hydraulic Crimping Tool - CJD3 - No Coupler - Closed Center	CJD3	No
LP6-15	00839	6-Ton Hydraulic Crimping Tool - CJD3 - Coupler - Open Center	CJD3	Yes - 3/4-16 SAE
LP6-16	00840	6 Ton Hydraulic Crimping Tool - CJD3 - Coupler - Closed Center	CJD3	Yes - 3/4-16 SAE
LP6-17	00841	6-Ton Hydraulic Crimping Tool - CJK - No Coupler - Open Center	CJK	No
LP6-18	00842	6 Ton Hydraulic Crimping Tool - CJK - No Coupler - Closed Center	CJK	No
LP6-19	00847	6-Ton Hydraulic Crimping Tool - CJK - Coupler - Open Center	CJK	Yes - 3/4-16 SAE
LP6-20	00848	6 Ton Hydraulic Crimping Tool - CJK - Coupler - Closed Center	CJK	Yes - 3/4-16 SAE
CJD3	03242	Crimping Jaw with single D die groove	CJD3	N/A
CJD3BG	84515	Crimping Jaw Unit - D and BG die grooves	CJD3BG	N/A
CJD30	87514	Crimping Jaw Unit - D and O die grooves	CJD30	N/A
CJK	04829	Crimping Jaw Unit for Kearney "O" dies	CJK	N/A
CJ22	84511	Crimping Jaw for use with KC22 & KA22 crimping dies	CJ22	N/A
CJB	84513	Cutting Jaw for one-time disposable lock hasps	CJB	N/A
CJXPJ	84512	Crimping Jaw with Nicopress X, P, & J die grooves	CJXPJ	N/A
CP1	22041	Tool Pouch	N/A	N/A
F020735	43136	Kearney "D" crimping die (adapts jaws to use "W" & "X" dies)	F020735	N/A
KD6-27	10182	"W" style cutter dies for ACSR to 4/0 AWG	KD6-27	N/A
54923	54923	HTMA Male Coupler - 3/4 - 16SAE O-Ring external thread	N/A	N/A
54925	54925	HTMA Female Coupler - 3/4 - 16SAE O-Ring external thread	N/A	N/A

Dies for use with service entrance connectors, c-taps, h-taps, overhead and underground connectors (Use with EK425L with CJD3, CJD3BG & CJD30 jaws). Use with EK425L with CJK jaws with F020735 adapters.

"W"-STYLE DIES

CAT. NO.	UPC NO.	BURNDY NO.
KD6-10	10165	W-BG
KD6-11	10166	W-O
KD6-12	10167	W-C
KD6-13	10168	W-K840
KD6-14	10169	W-161
KD6-15	10170	W-162
KD6-16	10171	W-163
KD6-17	10172	W-165
KD6-18	10173	W-166
KD6-19	10174	W-243
KD6-20	10175	W-247
KD6-21	10176	W-249
KD6-22	10177	W-164
KD6-24	10179	W-237
KD6-25	10180	W-239
KD6-27	10182	W-28K



CP1



12-Ton Manual Hydraulic Crimping Tools



- Both heads accept Greenlee KC12, KA12 and KD12 crimping dies as well as industry "U" style dies
- New head designs result in lower weight and improved durability – tested to 50,000 crimp cycles
- Two-speed pump to reduce cycle time
- Ram automatically retracts when crimp cycle is complete – a Greenlee exclusive
- Crimping heads rotate 350°
- Smaller and lighter than competitive tools
- Covered head models have two layers of PVC that total approximately 3/16" (4.8 mm) thick
- Includes carrying case
- U.S. Patent #6,206,663

SPECIFICATIONS

Capacity*	HK1230 & HK1240 – 8 AWG to 750 kcmil copper color-coded lugs and splices. See crimping tool capacity chart on page 7
Crimping Force	24,000 lbs (106 kN)
Length	HK1230 – 20-3/8" (518 mm); HK1240 – 21-1/2" (546 mm);
Weight	HK1230 – 12.2 lbs (5.5 kg) HK1240 – 13.2 lbs (6.0 kg)

CAT. NO.	UPC NO.	DESCRIPTION
HK1230	06426	12-Ton Hydraulic Crimping Tool, 1.2" (30 mm) opening
HK1230C	07199	12-Ton Hydraulic Crimping Tool, 1.2" (30 mm) opening, PVC covered
HK1240	06427	12-Ton Hydraulic Crimping Tool, 1.65" (42 mm) opening
HK1240C	07202	12-Ton Hydraulic Crimping Tool, 1.65" (42 mm) opening, PVC covered



Crimping Dies for 12-Ton Tools
Crimping dies on page 34

*HK1230 and HK1240 are UL and cUL classified with Anderson, Blackburn, FCI Burndy, ILSCO, Panduit, Penn-Union and Thomas & Betts copper and aluminum color-coded lugs and splices when used with Greenlee KC12 and KA12 crimping dies.

12-Ton Manual Hydraulic Crimping Tool



- Two-speed ram advances fast and shifts to lower speed to complete the crimp
- Strong, lightweight fiberglass handles
- Push button permits dies to be inserted and removed easily
- Tool is supplied in a durable, molded plastic carrying case
- Accepts Greenlee KC12, KA12 and KD12 as well as Industry "U" style dies

SPECIFICATIONS

Capacity*	8 AWG to 750 kcmil copper color-coded lugs and splices. See crimping tool capacity chart on page 7 for additional capacities.
Crimping Force	24,000 lbs (106 kN)
Length	24-1/4" (616 mm)

CAT. NO.	UPC NO.	DESCRIPTION
HKL1232	23521	12-Ton Hydraulic Crimping Tool, 1.4" (32 mm) opening



Crimping Dies for 12-Ton Tools
Crimping dies on page 31

*UL and cUL is classified with Anderson, Blackburn, FCI Burndy, ILSCO, Panduit, Penn-Union and Thomas & Betts copper and aluminum color-coded lugs and splices when used with Greenlee KC12 and KA12 crimping dies.

Manual Hydraulic Quad-Point Dieless Crimping Tools



HK06AT



HK06FT

- Two-speed pump advances the ram quickly to start the crimp, reducing crimp completion time. The ram automatically retracts after the crimp is complete
- Flip-top style uses a pull pin to open head for easy removal from the connector
- Compact, featuring a 360° rotating head
- Includes carrying case, test gauge and test slugs
- U.S. Patents #6,206,663 and #6,065,326

SPECIFICATIONS

Capacity*	See crimping tool capacity chart on page 7
Length	HK06AT – 20-3/4" (525 mm) HK06FT – 21-1/16" (535 mm)
Weight	9.0 lbs. (4.1 kg)

*FT tools are UL and cUL classified with #4AWG – 750 kcmil (MCM) copper color-coded connectors and #6AWG – 750 kcmil (MCM) aluminum color-coded connectors of the following brands: Anderson, Blackburn, FCI Burndy, IlSCO, Panduit, Penn-Union, and Thomas & Betts.

AT tools are UL and cUL classified with #4 – 500 kcmil (MCM) copper color-coded connectors of the following brands: Anderson, Blackburn, FCI Burndy, ILSCO, Panduit, Penn-Union, & Thomas & Betts.

CAT. NO.	UPC NO.	DESCRIPTION
HK06AT	06065	Hydraulic Quad-Point Crimping Tool, Open Head Dieless
HK06FT	06196	Hydraulic Quad-Point Crimping Tool, Flip-Top Dieless

Hand Hydraulic Dieless Crimping Tool



HK12ID

- Crimping head rotates 350° to get into tight locations
- Two-speed pump provides rapid crimping cycle time
- Lightweight and strong fiberglass handles
- Comes with a molded carrying case

SPECIFICATIONS

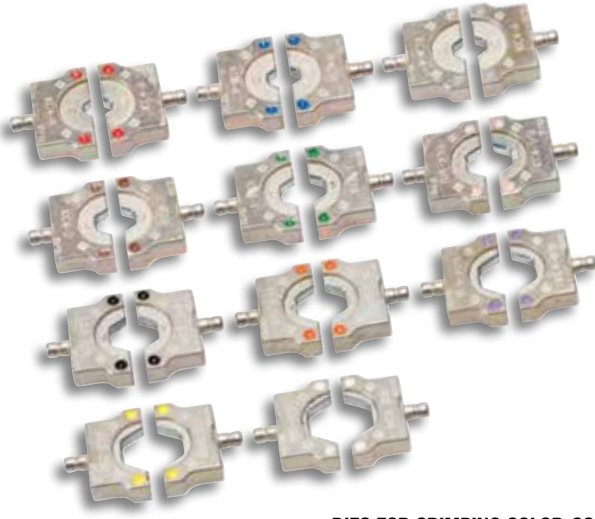
Overall Length	26" (657mm)
Crimping Head Width	4-3/8" (111 mm)
Weight	15 lb. (7 kg)
Crimping Range	Aluminum - 6 AWG to 1000 kcmil Copper - 4 AWG to 1000 kcmil
Copper Color Coded Lugs And Splices	4 AWG to 1000 kcmil*
Aluminum Color Coded Lugs and Splices	6 AWG to 1000 kcmil*

*UL and cUL Classified with Anderson, Burndy, Blackburn, IlSCO, Panduit, Penn-Union, Thomas & Betts, and Tyco connectors

CAT. NO.	UPC NO.	DESCRIPTION
HK12ID	10107	Hand Hydraulic Dieless Crimping Tool

CRIMPING DIES

Crimping Dies for 4-Ton EK410L Tools



4-TON CRIMPING DIE KIT*

CAT. NO.	UPC NO.	DESCRIPTION
KC4CU	02037	Complete Die Set for copper connectors. Includes dies for 8 AWG to 300 kcmil (MCM) copper connectors. (Dies can be stored in tool carrying case.)
KA4AL	12237	Complete die set for aluminum connectors. Includes dies for 8 AWG through 2/0 AWG. (Dies can be stored in tool carrying case.)

KC4 DIES FOR SERVICE ENTRANCE CONNECTORS

CAT. NO.	UPC NO.	DESCRIPTION
KD4-10	02021	Crimping Dies for 5/8" Service Entrance Connectors
KD4-840	02022	Crimping Dies for 840 Service Entrance Connectors
24163	24163	Blank Crimping Dies

DIES FOR CRIMPING COLOR-CODED COPPER & ALUMINUM LUGS & SPLICES

CABLE SIZE	ALUMINUM			COPPER		
	CAT. NO.	UPC NO.	COLOR	CAT. NO.	UPC NO.	COLOR
8 AWG	KA4-8	12222	BLUE	KC4-8	02075	RED
6 AWG	KA4-6	12223	GRAY	KC4-6	02076	BLUE
4 AWG	KA4-4	12225	GREEN	KC4-4	02077	GRAY
2 AWG	KA4-2	12226	PINK	KC4-2	02078	BROWN
1 AWG	KA4-1	12227	GOLD	KC4-1	02079	GREEN
1/0 AWG	KA4-1/0	12228	TAN	KC4-1/0	02080	PINK
2/0 AWG	KA4-2/0	12229	OLIVE	KC4-2/0	02081	BLACK
3/0 AWG	-	-		KC4-3/0	02082	ORANGE
4/0 AWG	-	-		KC4-4/0	02083	PURPLE
250 KCMIL (MCM)	-	-		KC4-250	02084	YELLOW
300 KCMIL (MCM)	-	-		KC4-300	10988	WHITE



*Note: Connections are UL and cUL classified for copper and aluminum when used with Anderson, Blackburn, FCI Burndy, ILSCO, Panduit, Thomas & Betts and Penn-Union color-coded lugs and splices.

For Use With:



EK410
page 10

Crimping Dies for 6-Ton Tools



All dies on this page for use with EK628L, ECCXL, and EK622L tools

6-TON CRIMPING DIE KIT*

CAT. NO.	UPC NO.	DESCRIPTION
K22S1GL	03078	Die Kit for 8 AWG to 600 kcmil Copper Connectors – Includes all copper die sets listed below and carrying case
KD06AL	01631	Die Kit for 8 AWG to 350 kcmil Aluminum Connectors – Includes all aluminum die sets listed below and carrying case

For Use With:



EK425
page 8



EK622
page 11



RK425
page 18



DIES FOR CRIMPING COLOR-CODED COPPER & ALUMINUM LUGS & SPLICES* (REQUIRE UA22 ADAPTER WHEN USED WITH ECCXL, HCCX, & RCCX TOOLS)

22 SERIES CRIMPING DIES

CABLE SIZE	ALUMINUM			COPPER		
	CAT. NO.	UPC NO.	COLOR	CAT. NO.	UPC NO.	COLOR
8 AWG	KA22-8	06744	BLUE	KC22-8	03079	RED
6 AWG	KA22-6	06745	GRAY	KC22-6	03080	BLUE
4 AWG	KA22-4	06746	GREEN	KC22-4	03081	GRAY
2 AWG	KA22-2	06747	PINK	KC22-2	03082	BROWN
1 AWG	KA22-1	06749	GOLD	KC22-1	03083	GREEN
1/0 AWG	KA22-1/0	06750	TAN	KC22-1/0	03084	PINK
2/0 AWG	KA22-2/0	06751	OLIVE	KC22-2/0	03085	BLACK
3/0 AWG	KA22-3/0	06752	RUBY	KC22-3/0	03086	ORANGE
4/0 AWG	KA22-4/0	06753	WHITE	KC22-4/0	03087	PURPLE
250 KCMIL (MCM)	KA22-250	06754	RED	KC22-250	03088	YELLOW
300 KCMIL (MCM)	KA22-300	06755	BLUE	KC22-300	03089	WHITE
350 KCMIL (MCM)	KA22-350	06756	BROWN	KC22-350	03090	RED
400 KCMIL (MCM)	-	-	-	KC22-400	03091	BLUE
500 KCMIL (MCM)	-	-	-	KC22-500	03092	BROWN
600 KCMIL (MCM)	-	-	-	KC22-600	03094	GREEN

*Note: Connections are UL and cUL classified for copper and aluminum, when used with Greenlee tools on Anderson®, Blackburn®, FCI Burndy®, ILSCO®, Panduit®, Thomas & Betts® and Penn-Union® color-coded lugs and splices.



DIES FOR USE WITH SERVICE ENTRANCE CONNECTORS, C-TAPS, H-TAPS, OVERHEAD AND UNDERGROUND CONNECTORS (REQUIRE UAW ADAPTER WHEN USED WITH ECCXL TOOLS, REQUIRES CJD3, CJD3BG, OR CJD30 JAWS WHEN USED WITH EK628L TOOLS)

"W" STYLE DIES

CAT. NO.	UPC NO.	BURNDY NO.	CAT. NO.	UPC NO.	BURNDY NO.
KD6-10	10165	W-BG	KD6-18	10173	W-166
KD6-11	10166	W-O	KD6-19	10174	W-243
KD6-12	10167	W-C	KD6-20	10175	W-247
KD6-13	10168	W-K840	KD6-21	10176	W-249
KD6-14	10169	W-161	KD6-22	10177	W-164
KD6-15	10170	W-162	KD6-24	10179	W-237
KD6-16	10171	W-163	KD6-25	10180	W-239
KD6-17	10172	W-165	KD6-27	10182	W-28K

Crimping Dies for 12-Ton Tools



KD12CU

All dies on this page for use with EK1230L, EK1240L, HK1230, HK1240, RK1240, HKL1232, and E12CCX tools, and RK1550 equipped with 48802 die adapter.

12-TON CRIMPING KITS

"U" STYLE DIE KITS

CAT. NO.	UPC NO.	DESCRIPTION
KD12CU	10260	Die Kit for 6 AWG to 750 kcmil Copper Connectors – Includes all copper die sets below except KC12-8
KD12AL	10261	Die Kit for 6 AWG to 750 kcmil Aluminum Connectors – Includes all aluminum die sets below except 35776.

DIES FOR CRIMPING COLOR-CODED COPPER & ALUMINUM LUGS & SPLICES

"U" STYLE DIES

CABLE SIZE	ALUMINUM			COPPER		
	CAT. NO.	UPC NO.	COLOR	CAT. NO.	UPC NO.	COLOR
8 AWG	KA12-8	22084	BLUE	KC12-8	10996	GRAY
6 AWG	KA12-6	22085	GRAY	KC12-6	10997	BLUE
4 AWG	KA12-4	22086	GREEN	KC12-4	10998	GRAY
2 AWG	KA12-2	22087	PINK	KC12-2	10999	BROWN
1 AWG	KA12-1	22088	GOLD	KC12-1	11003	GREEN
1/0 AWG	KA12-1/0	22089	TAN	KC12-1/0	11004	PINK
2/0 AWG	KA12-2/0	22090	OLIVE	KC12-2/0	11007	BLACK
3/0 AWG	KA12-3/0	22121	RUBY	KC12-3/0	11010	ORANGE
4/0 AWG	KA12-4/0	22122	WHITE	KC12-4/0	11011	PURPLE
250 KCMIL (MCM)	KA12-250	22123	RED	KC12-250	11012	YELLOW
300 KCMIL (MCM)	KA12-300	22124	BLUE	KC12-300	11013	WHITE
350 KCMIL (MCM)	KA12-350	22125	BROWN	KC12-350	11014	RED
400 KCMIL (MCM)	KA12-400	22126	GREEN	KC12-400	11015	BLUE
500 KCMIL (MCM)	KA12-500	22127	PINK	KC12-500	11016	BROWN
600 KCMIL (MCM)	KA12-600	22128	BLACK	KC12-600	11018	GREEN
750 KCMIL (MCM)	KA12-750	22129	YELLOW	KC12-750	11020	BLACK



For Use With:



*Connections are UL and cUL classified for copper connectors when used with Greenlee tools on Anderson®, Blackburn®, FCI Burndy®, ILSCO®, Panduit®, Thomas & Betts® and Penn-Union® color-coded lugs and splices.
 **Connections are UL and cUL classified for aluminum connectors when used with Greenlee tools on Anderson®, Blackburn®, FCI Burndy®, ILSCO®, Panduit®, Thomas & Betts® and Penn-Union® color-coded lugs and splices.

DIES FOR USE WITH SERVICE ENTRANCE CONNECTORS, C-TAPS, H-TAPS, OVERHEAD AND UNDERGROUND CONNECTORS

ADDITIONAL "U" - STYLE DIES

CAT. NO.	UPC NO.	BURNDY NO.	CAT. NO.	UPC NO.	BURNDY NO.
KD12-10	10188	U-BG	KD12-30	10200	U-D3
KD12-11	10189	U-O	KD12-32	10202	U-F
KD12-12	10190	U-C	KD12-33	10203	U-997
KD12-14	10192	U-161	KD12-35	10205	U-238
KD12-15	10193	U-162	KD12-36	10206	U-654
KD12-17	10195	U-165	KD12-37	10207	U-655
KD12-18	10196	U-166	KD12-38	10208	U-658
KD12-19	10197	U-243	KD12-39	10209	U-659
KD12-20	10198	U-247	KD12-40	10210	U-998
KD12-21	10199	U-249	-	-	-



REFERENCE

Competitive Die Compatibility

All Dies Listed may be used with the appropriate Greenlee Tools

TOOL TYPE	GREENLEE	BURNDY	T & B	ILSCO	HUSKIE	PANDUIT	BLACKBURN	KEARNEY	PENN-UNION
EK410L	KC4, KA4	-	-	-	-	-	-	-	-
EK628L	KC22, KA22	W, X⁸	6 TON⁹	ND⁸	HT58⁸	CD-2001⁸	BY⁹	O⁹	-
EK622L	KC22,KA22, KD6	W, X	-	ND	HT58	CD-2001	-	-	-
CCX	KC22¹, KA22¹, KD6²	W², X²	6-TON⁹	ND²	HT³, HT58²	CD-2001²	BY³	O³	-
1230	KC12, "U" STYLE, KD12	U	15500 SERIES	ILD	HT41	CD-920	B, H	-	T
1240, 12CCX	KC12, "U" STYLE, KD12	U	15500 SERIES	ILD	HT41	CD-920	B, H	-	T
1240K	-	-	-	-	HTK	-	-	PH2	-
1550	-	P⁴, U⁵	15600 SERIES⁶, 15500 SERIES⁵	ILD-P⁴, ILD⁵	HT61⁴, HT41⁵	CD-940⁴, CD-920⁵	15600 SERIES⁶, B⁵, H⁵	PH2⁷	-
K425BG, K4250	K06	W, X	-	ND	HT58	CD-2001	-	-	-

Notes: **BOLD** indicates that use of the proper die adapter is needed.

¹ Use UA22 die adapters

² UAW die adapters

³ Use UAK die adapters

⁴ Use 48820 die adapters

⁵ Use 48802 die adapters

⁶ Use 48788 die adapters

⁷ Use 48824 die adapters

⁸ Use CJD30 or CJD3BG Jaws

⁹ Use CJK Jaws

Crimping Die Cross Reference

Copper Color-Coded Lugs and Splices for 6-Ton Crimping Tools

ECCXL, EK62L, EK628L

CABLE SIZE	COLOR CODE	GREENLEE ¹	BURNDY ²	T & B ³	ILSCO ²	HUSKIE ²	PANDUIT ²	BLACKBURN ³
8 AWG	RED	KC22-8	W8CVT, W8CRT X8CRT	6TON21	-	-	CD-2001-8	BY15C
6 AWG	BLUE	KC22-6	W5CVT, W5CRT, X5CRT, X8CART	6TON24	-	-	CD-2001-6	BY17C
5 AWG	BLUE	NA	W5CVT, W5CRT, X5CRT	-	-	-	-	-
4 AWG	GRAY	KC22-4	W4CVT, W4CRT, X4CRT	6TON29	-	-	CD-2001-4	BY19C
3 AWG	WHITE	NA	W3CRT	-	-	-	-	-
2 AWG	BROWN	KC22-2	W2CVT, W2CRT, X2CRT	6TON33	-	-	CD-2001-2	BY21C
1 AWG	GREEN	KC22-1	W1CVT, X1CRT-1, W1CRT-1	6TON37	-	-	CD-2001-1	BY53C
1/0 AWG	PINK	KC22-1/0	W25VT, W25RT, X25RT	6TON42	-	-	CD-2001-1/0	BY23C
2/0 AWG	BLACK	KC22-2/0	W26VT, W26RT, X26RT	6TON45	-	-	CD-2001-2/0	BY28C
3/0 AWG	ORANGE	KC22-3/0	W27VT, W27RT, X27RT	6TON50	-	-	CD-2001-3/0	BY25C
4/0 AWG	PURPLE	KC22-4/0	W28VT, W28RT, X28RT	6TON54	-	-	CD-2001-4/0	BY31C
250 KCMIL (MCM)	YELLOW	KC22-250	W29VT, W29RT, X29RT	6TON62	-	-	CD-2001-250	BY27C
300 KCMIL (MCM)	WHITE	KC22-300	W30VT, W30RT	6TON66	-	-	CD-2001-300	BY35C
350 KCMIL (MCM)	RED	KC22-350	W31VT, W31RT	6TON71	-	-	CD-2001-350	BY37C
400 KCMIL (MCM)	BLUE	KC22-400	W32VT, W32RT	6TON76	-	-	CD-2001-400	-
500 KCMIL (MCM)	BROWN	KC22-500	W34VT, W34RT	6TON87	-	-	CD-2001-500	-
600 KCMIL (MCM)	GREEN	KC22-600	-	-	-	-	-	-

Notes for 6-ton dies: ¹ Can be used with 22 Series, CCX and EK628L tools. Use UA22 die adapters with CCX. Use without adapters with 22 Series and EK628L.

² Can be used with 22 Series, CCX and EK628L tools. Use UAW die adapters with CCX. Use W die adapters with 22 Series. Use with CJD3 jaws with EK628L.

³ Can be used with CCX and EK628L tools only. Cannot be used with 22 Series tools. Use UAK die adapters with CCX. Use with CJK jaws with EK628L.

Crimping Die Cross Reference

Copper Color-Coded Lugs and Splices for 12-Ton Crimping Tools

ALL 1230, 1240 & E12CCXL TOOLS*

CABLE SIZE	COLOR CODE	GREENLEE	BURNDY	T & B	ILSCO	HUSKIE	PANDUIT	BLACKBURN	PENN-UNION
8 AWG	RED	KC12-8	U8CRT	15520	ILD-1	-	CD-920-8	B71CH	-
6 AWG	BLUE	KC12-6	U5CRT, U8CABT	15522	ILD-2	HT41AT	CD-920-6	B73CH	T-7/374
5 AWG	BLUE	NA	U5CRT	-	-	-	-	-	-
4 AWG	GRAY	KC12-4	U4CRT, U6CABT	15527	ILD-3	HT41AU	CD-920-4	B74CH	T-8/346
3 AWG	WHITE	NA	U3CRT	-	-	-	-	-	-
2 AWG	BROWN	KC12-2	U2CRT	15528	ILD-4	HT41AW	CD-920-2	B75CH	T-9
1 AWG	GREEN	KC12-1	U1CRT, 4UCABT	15513	ILD-4	HT41AX	CD-920-1	B05CH	T-10
1/0 AWG	PINK	KC12-1/0	U25RT, U2CABT	15508	ILD-5	HT41AY	CD-920-1/0	B06CHI	T-11/375
2/0 AWG	BLACK	KC12-2/0	U26RT	15526	ILD-6	HT41AZ	CD-920-2/0	B72CH	T-12/348
3/0 AWG	ORANGE	KC12-3/0	U27RT	15530	ILD-9	HT41BA	CD-920-3/0	B08CH	T-13
4/0 AWG	PURPLE	KC12-4/0	U28RT	15511	ILD-10	HT41BC	CD-920-4/0	B09CH	T-14
250 KCMIL (MCM)	YELLOW	KC12-250	U29RT	15510	ILD-11	HT41BE	CD-920-250	B26CH	T-15
300 KCMIL (MCM)	WHITE	KC12-300	U30RT, U28ART	15534	ILD-12	HT41BF	CD-920-300	B10CH	T-16
350 KCMIL (MCM)	RED	KC12-350	U31RT, U29ART	15512	ILD-13	HT41BJ	CD-920-350	B11CH	T-17
400 KCMIL (MCM)	BLUE	KC12-400	U32RT, U30ART	15512	ILD-14	HT41BK	CD-920-400	B11CH	T-18/324
500 KCMIL (MCM)	BROWN	KC12-500	U34RT, U31ART	15506	ILD-15	HT41BL	CD-920-500	B12CH	T-19/470
600 KCMIL (MCM)	GREEN	KC12-600	U36RT, U32ART	-	ILD-16	HT41BM	CD-920-600	B36CH	T-20/299
700 KCMIL (MCM)	PINK	NA	U38RT	15505	ILD-16	-	-	-	T-20/299
750 KCMIL (MCM)	BLACK	KC12-750	U39RT	15515	ILD-17	HT41BP	CD-920-750	B29CH	T-22/472

Notes for all 12-ton dies: * All 12-ton dies shown can be used with all 1230, 1240 & E12CCXL Greenlee tools up to the capacity limits of the tool

Crimping Die Cross Reference

Aluminum Color-Coded Lugs and Splices for 6-Ton Crimping Tools

ECCXL, EK622L & EK628L

CABLE SIZE	COLOR CODE	GREENLEE ¹	BURNDY ²	T & B ³	ILSCO ²	HUSKIE ²	PANDUIT ²	BLACKBURN ³
8 AWG	BLUE	KA22-8	X8CART	6TON24	-	-	CD-2001-8	BY17C
6 AWG	GRAY	KA22-6	X6CART	6TON29	-	-	CD-2001-6	BY19C
4 AWG	GREEN	KA22-4	X4CART	6TON37	-	-	CD-2001-4	BY53C
2 AWG	PINK	KA22-2	X2CART	6TON42	-	-	CD-2001-2	BY23C
1 AWG	GOLD	KA22-1	X1CART	6TON45	-	-	CD-2001-1	BY24C
1/0 AWG	TAN	KA22-1/0	X25ART	6TON50	-	-	CD-2001-1/0	BY25C
2/0 AWG	OLIVE	KA22-2/0	X26ART	6TON54	-	-	CD-2001-2/0	BY31C
3/0 AWG	RUBY	KA22-3/0	X27ART	6TON60	-	-	CD-2001-3/0	BY32C
4/0 AWG	WHITE	KA22-4/0	X28ART	6TON66	-	-	CD-2001-4/0	BY35C
250 KCMIL (MCM)	RED	KA22-250	-	6TON71	-	-	CD-2001-250	BY37C
300 KCMIL (MCM)	BLUE	KA22-300	-	6TON76	-	-	CD-2001-300	BY35C
350 KCMIL (MCM)	BROWN	KA22-350	-	6TON87	-	-	CD-2001-350	BY37C

Notes for 6-ton dies:

¹ Can be used with 22 Series, CCX and EK628L tools. Use UA22 die adapters with CCX. Use without adapters with 22 Series and EK628L.

² Can be used with 22 Series, CCX and EK628L tools. Use UAW die adapters with CCX. Use with W die adapters with 22 Series. Use CJ03 jaws with EK628L.

³ Can be used with CCX and EK628L tools. Cannot be used with 22 Series tools. Use UAK die adapters with CCX. Use CJK jaws with EK628L.

Crimping Die Cross Reference

Aluminum Color-Coded Lugs and Splices for 12-Ton Crimping Tools

ALL 1230, 1240 & E12CCXL TOOLS*

CABLE SIZE	COLOR CODE	GREENLEE	BURNDY	T & B	ILSCO	HUSKIE	PANDUIT	BLACKBURN	PENN-UNION
8 AWG	BLUE	KA12-8	U8CABT	15522	ILD-2	HT41GL	CD-920-8	B73CH	T-7/374
6 AWG	GRAY	KA12-6	U6CABT	15527	ILD-3	HT41GE	CD-920-6	B74CH	T-8/346
4 AWG	GREEN	KA12-4	U4CABTQ	15513	ILD-4	HT41GM	CD-920-4	B05CH	T-11/375
2 AWG	PINK	KA12-2	U2CABT	15508	ILD-7	HT41GF	CD-920-2	B06CHI	T-12/348
1 AWG	GOLD	KA12-2	U1CART	15526	ILD-7	-	CD-920-1	B06CHI	T-471
1/0 AWG	TAN	KA12-1/0	U25ART	15530	ILD-8	HT41EX	CD-920-1/0	B06CH	T-296
2/0 AWG	OLIVE	KA12-2/0	U26ART	15511	ILD-10	HT41EY	CD-920-2/0	B09CH	T-297
3/0 AWG	RUBY	KA12-3/0	U27ART	15532	ILD-10	HT41GW	CD-920-3/0	B26CH	T-467
4/0 AWG	WHITE	KA12-4/0	U28ART	15534	ILD-12	HT41EZ	CD-920-4/0	B10CHI	T-298
250 KCMIL (MCM)	RED	KA12-250	U29ART	15514	ILD-13	HT41FW	CD-920-250	B11CH	T-18/324
300 KCMIL (MCM)	BLUE	KA12-300	U30ART	15512	ILD-14	HT41GZ	CD-920-300	B11CH	T-19/470
350 KCMIL (MCM)	BROWN	KA12-350	U31ART	15506	ILD-14	HT41FA	CD-920-350	B12CHI	T-20/299
400 KCMIL (MCM)	GREEN	KA12-400	U32ART	15536	ILD-16	HT41HH	CD-920-400	B36CH	T-22/472
500 KCMIL (MCM)	PINK	KA12-500	U34ART	15505	ILD-16A	HT41FB	CD-920-500A	B76CH	T-300
600 KCMIL (MCM)	BLACK	KA12-600	U36ART	15515	ILD-17	HT41HG	CD-920-600	-	T-24/473
700 KCMIL (MCM)	YELLOW	NA	U38ART	-	ILD-17	HT41IJ	-	-	-
750 KCMIL (MCM)	YELLOW	KC12-750	U39ART	15504	ILD-18	HT41IJ	CD-920-750	-	-

Notes for all 12-ton dies: * All 12-ton dies shown can be used with all 1230, 1240 and E12CCXL Greenlee tools up to the capacity limits of the tool

Crimping Die Cross Reference

Copper C-Taps for Copper Cables

ECCXL, EK622L & EK628L

CABLE SIZE	TAP	GREENLEE ¹	BURNDY ²	T & B ³	ILSCO ²	HUSKIE ²	PANDUIT ²	BLACKBURN ³
10 AWG	10 AWG		W238			HT58DG	-	-
8 AWG	8 AWG	KD6-15	W162	-	-	HT58BZ	-	BY21
4-6 AWG	8 AWG	KD6-10	WBG	-	ND-BG	HT58G	CD-2001-BG	BY31
4-6 AWG	6 AWG	KD6-10	WBG	-	ND-BG	HT58G	CD-2001-BG	BY31
4-6 AWG	4 AWG	KD6-10	WBG	-	ND-BG	HT58G	CD-2001-BG	BY31
2-3 AWG	4-8 AWG	KD6-12	WC	-	ND-C	HT58J	CD-2001-C	BY33
2-3 AWG	2-3 AWG	KD6-12	WC	-	ND-C	HT58J	CD-2001-C	BY33
1/0-2/0 AWG	8-2 AWG	KD6-11	WO	-	-	HT58AK	-	OJB
1/0-2/0 AWG	1/0-2/0 AWG	KD6-11	WO	-	-	HT58AK	-	OJB
3/0-4/0 AWG	6-2 AWG	D ₃ ⁴	-	-	-	-	-	DBL
3/0-4/0 AWG	1/0-2/0 AWG	D ₃ ⁴	-	-	-	-	-	-
3/0-4/0 AWG	3/0-4/0 AWG	D ₃ ⁴	-	-	-	-	-	-

Notes for 6-ton dies:

¹ Can be used with 22 Series, CCX and EK628L tools. Use UAW die adapters with CCX. Use D3 adapters with 22 Series. Use CJD3 jaws with EK628L.

² Can be used with 22 Series, CCX and EK628L tools. Use UAW die adapters with CCX. Use D3 die adapters with 22 Series. Use CJD3 jaws with EK628L.

³ Can be used with CCX and EK628L tools. Cannot be used with 22 Series tools. Use UAK die adapters with CCX. Use CJK jaws with EK628L.

⁴ Die adapters included with EK622L have D3 profile. UAW adapters for CCX tools have D3 profile. CJD3 jaws for EK628L have D3 profile.

Crimping Die Cross Reference

Copper C-Taps for Copper Cables

ALL 1230, 1240 & E12CCXL TOOLS*

CABLE SIZE	TAP	GREENLEE	BURNDY	T & B	ILSCO	HUSKIE	PANDUIT	BLACKBURN	PENN-UNION
10 AWG	10 AWG	KD12-35	U238			HT41DG	-	-	-
8 AWG	8 AWG	KD12-15	U162	-	-	HT41BZ	-	B71AH	-
4-6 AWG	8 AWG	KD12-10	UBG	-		HT41G	CD-920-BG	B58CS	T-BG
4-6 AWG	6 AWG	KD12-10	UBG	-		HT41G	CD-920-BG	B58CS	T-BG
4-6 AWG	4 AWG	KD12-10	UBG	-		HT41G	CD-920-BG	B58CS	T-BG
2-3 AWG	4-8 AWG	KD12-12	UC	-	ILD-C	HT41J	CD-920-C	HKB0	-
2-3 AWG	2-3 AWG	KD12-12	UC	-	ILD-C	HT41J	CD-920-C	HKB0	-
1/0-2/0 AWG	8-2 AWG	KD12-11	UO	-	ILD-0	HT41AK	-	HO	T-0
1/0-2/0 AWG	1/0-2/0 AWG	KD12-11	UO	-	ILD-0	HT41AK	-	HO	T-0
3/0-4/0 AWG	6-2 AWG	KD12-30	UD3	-	ILD-D3	HT41X	CD-920-D3	HD	T-D3
3/0-4/0 AWG	1/0-2/0 AWG	KD12-30	UD3	-	ILD-D3	HT41X	CD-920-D3	HD	T-D3
3/0-4/0 AWG	3/0-4/0 AWG	KD12-30	UD3	-	ILD-D3	HT41X	CD-920-D3	HD	T-D3

Notes for all 12-ton dies: * All 12-ton dies shown can be used with all 1230, 1240 and E12CCXL Greenlee tools up to the capacity limits of the tool.

HAND TOOLS

Crimping Tool 8-1 AWG



K111

- Small size and light weight make this an ideal tool for crimping small lugs and splices
- Easily fits in tool pouches
- Full-cycle mechanism assures that crimps are complete
- Jaws can be opened in mid-cycle if necessary to adjust connector
- Wide grips make crimping easy on the hands

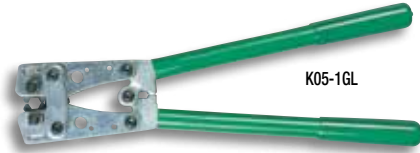
SPECIFICATIONS

Capacity*	8 AWG – 1 AWG copper color-coded connectors
Length	10" (273 mm)
Weight	1.4 lbs. (0.6 kg)

CAT. NO.	UPC NO.	DESCRIPTION
K111	10763	Crimping Tool

*UL and cUL classified with Anderson, Blackburn, Burndy, ILSCO, Panduit, Penn-Union and Thomas & Betts copper color-coded connectors.

K-Series Crimping Tool 8-1/0 AWG



K05-1GL

- Crimps smaller copper connectors
- Small, light weight, easy to handle
- Easy to get in tight locations
- Color-coded, hexagonal rotating dies
- Full cycle mechanism releases only after full crimp cycle is completed

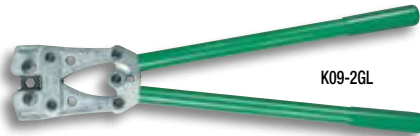
SPECIFICATIONS

Capacity*	8 AWG – 1/0 AWG Copper
Length	15.4" (390 mm)
Weight	2.4 lbs. (1.1 kg)

CAT. NO.	UPC NO.	DESCRIPTION
K05-1GL	02624	Crimping Tool
K05-1SPGL	02625	Crimping Tool, full cycle mechanism
R 02694	02694	Die Set

*UL and cUL classified with Anderson, Blackburn, Burndy, ILSCO, Panduit, Thomas & Betts and Penn-Union copper connectors.

K-Series Crimping Tool 8-4/0 AWG



K09-2GL

- Crimps all the popular small to mid-range copper connector sizes
- Long length results in low handle efforts
- Color-coded, hexagonal rotating dies
- Full cycle mechanism releases only after full crimp cycle is completed

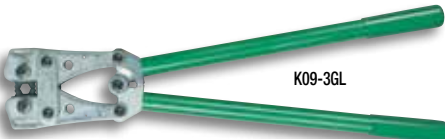
SPECIFICATIONS

Capacity*	8 AWG – 4/0 AWG Copper
Length	25.5" (650 mm)
Weight	6.4 lbs. (2.9 kg)

CAT. NO.	UPC NO.	DESCRIPTION
K09-2GL	02628	Crimping Tool
K09-2SPGL	02629	Crimping Tool, full cycle mechanism
R 02912	02912	Die Set

*UL and cUL classified with Anderson, Blackburn, Burndy, ILSCO, Panduit, Thomas & Betts and Penn-Union copper connectors.

K-Series Crimping Tool 3/0-400



K09-3GL

- Crimps larger copper connector sizes
- Color-coded, hexagonal rotating dies

SPECIFICATIONS

Capacity*	3/0 AWG – 400 kcmil (MCM) Copper
Length	25.5" (650 mm)
Weight	6.4 lbs. (2.6 kg)

CAT. NO.	UPC NO.	DESCRIPTION
K09-3GL	02630	Crimping Tool
R 02913	02913	Die Set

*UL classified and CSA certified with Anderson, Blackburn, Burndy, ILSCO, Panduit, Thomas & Betts and Penn-Union copper connectors.

Manual Crimping Tool



K425BG

- Designed for crimping a wide range of overhead service entrance connections, overhead splices, and overhead taps
- Easy-to-use MD-6 type "pop" tool
- The D, die groove serves as a die seat for all Greenlee KD6 and industry "W" type dies. Page 33
- Bent fiberglass handles provide a solid grip, good leverage and better durability than wood
- Teflon-impregnated bushings at pivot joints provide smooth operation and long life
- Complete crimps are assured with an over-center cam mechanism
- Tool can easily be checked visually for proper adjustment and can be adjusted with Allen wrenches

CAT. NO.	UPC NO.	DESCRIPTION
K4250	02064	Crimping Tool with D, and O die grooves
K425BG	02065	Crimping Tool with D, and BG die grooves
K425K58	08160	Crimping Tool with Kearney® O and 5/8 die grooves
K425KO	08161	Crimping Tool with Kearney® D and O die grooves

SPECIFICATIONS

Capacity*	See capacity chart on page 7
Crimping Force	9,000 lb. (40 kN)
Length	25-3/8" (645 mm)
Weight	7.1 lbs. (3.2 kg)

Indenter Crimping Tool



1981

- Simple screw adjustment for connector size
- Forged body and handle for durability.

SPECIFICATIONS

Capacity*	Copper color-coded connectors: 8 AWG-250 kcmil (MCM) Aluminum color-coded connectors: 8 AWG-4/0 kcmil (MCM)
Length	22-3/8" (568 mm)
Weight	6.8 lbs. (3.1 kg)

CAT. NO.	UPC NO.	DESCRIPTION
1981	06894	Indenter Crimping Tool

*UL and cUL classified for use with Anderson, Blackburn, FCI Burndy, ILSCO, Panduit, Penn-Union, and Thomas & Betts copper and aluminum color-coded lugs and splices.



Gator Eye®™



- A USB-powered device that is compatible with all Greenlee Gator tools
- Offers our customers documentation of the error-free, intelligent system, Greenlee Battery Tools provide
- Customers can download, print, and store work information, such as maximum PSI, number of cuts/crimps, and battery information
- Allows electrical contractors and utility companies to set service intervals and download work history reports since manufacture, last service, and for project
- **Differentiate your workforce with accountability**
- Add user and inventory information to your Gator tools therefore better managing tool lives
- Software is free to download and available on our website



CAT. NO.	UPC NO.	DESCRIPTION
GATOR-EKG	19254	Gator Tool Diagnostic and Programming Device

DETAILED WORK HISTORY.

Download, print, and store work information such as operating pressure, number of crimps/cuts, and battery information.

ACCOUNTABILITY.

Prove that the job was done correctly with operation and project specific documentation.

DIAGNOSTICS.

Set and view maintenance intervals, and add user identifiable information to manage your inventory.



**iPress™
software
screenshot**

ACCESSORIES

Crimping Tool Test Meter



- Electronically measures the force output of crimping tools
- Data can be transferred to computer files to develop tool histories
- To take measurements, one TC1KIT, one tool adapter and one sensor are required
- TC1 is battery powered and can be used in remote locations
- Includes TC1 measuring unit, battery charger and carrying case

ADAPTER AND SENSING UNIT CHART

CRIMPING TOOL	ADAPTER	SENSOR
EK410L	MA4	TF70
EK622L (All CCX Tools, EK628L)	MA22	TF70
All 1230 and 1240 Tools	MA120	TF130
HK12ID, EK12IDL	MA12ID	TF130

CAT. NO.	UPC NO.	DESCRIPTION
TC1S KIT	01340	TC1 Unit
MA4	02086	Adapter for EK410L
MA22	06576	Adapter for EK622L, EK622L, CCX, EK628L
MA50	11798	Adapter for EK210L
MA120	06577	Adapter for 1230, 1240, E12CCX, E12CCXL
MA12ID	24054	Adapter for EK12ID, EK12IDL
TF70	06574	Sensor for EK210L, EK410L, EK622L, CCX, EK628L
TF130	06575	Sensor for 1230, 1240, E12CCX, EK12ID, E12CCXL, EK12IDL

Crimping Tool Load Cell



- Test gauge measures the force output of Greenlee 1230 and 1240 crimping tools
- Includes test gauge and blank die set

CAT. NO.	UPC NO.	DESCRIPTION
35887	35887	Crimping Tool Load Cell – 12 Ton

Crimping Die Carrying Case



- Holds 15 KC22, KA22, KC12, KA12 or “U” style crimping die sets

CAT. NO.	UPC NO.	DESCRIPTION
01082	01082	Crimping Die Carrying Case (dies not included)

AC Adapters for Battery-Powered Tools



- Operates all Greenlee 18V Li-ion battery-powered tools except the ES750, ES85, ES25 and ES1000
- Easily converts Greenlee 18V Li-ion battery-powered tools to corded tools
- Same physical size and shape as Greenlee 18V Li-ion batteries, providing unlimited run-time without additional weight or bulk
- Long 16.5 foot cord allows mobility

SPECIFICATIONS

	EAC120	EAC230
Input	120 V AC 60 Hz 150W	230 V AC 50 Hz 150W
Output	12 V DC 6.5A	12 V DC 6.5A
Weight	1.6 lb (0.7 kg)	1.6 lb (0.7 kg)

CAT. NO.	UPC NO.	DESCRIPTION
EAC18120	52191	AC Adapter, 120 V to 18V
EAC18230	52192	AC Adapter, 230 V to 18V

Battery Charger Adapter



- Attaches to 52178, 52179 and 52180 Li-ion battery chargers
- Allows chargers to charge Greenlee NiCd & NiMH 12 V and 9.6 V batteries

CAT. NO.	UPC NO.	DESCRIPTION
25766	25766	Battery Charger Adapter

CCX

What Is CCX?

The Greenlee CCX three-step, 10-second function changeover
The easy, quick-release design makes changeovers this simple:



1 Just push the release buttons, and the blades slide right out of the easy-opening CCX head.



2 Alternate die adapters, cutter blades, or knockout punch adapters slide right in!



3 You're working again, with no lost time!

CCX-Exclusive Multipurpose Tools from Greenlee

Get more for your money and carry fewer tools – with CCX. This advanced line of multipurpose tools is designed to work with a wide variety of cutting blades, crimping die adapters, and a knockout punch adapter. Buy just one tool for countless electrical construction and maintenance jobs.

Cut

- Copper, aluminum, copperweld, and ACSR cable
- Guy strand, including EHS
- Threaded rod
- DIN rail

Crimp – 6-Ton Option

- Greenlee K22 & KA22
- Burndy W
- Kearney O
- For copper lugs and splices, use Greenlee dies up to 600 kcmil (MCM). For aluminum lugs & splices, use Greenlee dies up to 350 kcmil (MCM).*
- Thomas & Betts 6Ton
- Blackburn OD
- Panduit CD2001

Crimp – 12-Ton Option

- Greenlee KC12 & KA12
- Burndy U
- Penn-Union T
- ILSCO ILD
- Thomas & Betts 15500 Series
- Blackburn B & H
- Panduit CD-920
- Huskie HT41

Punch – use the knockout punch adapter with

- Standard Slug-Buster and Slug-Splitter punches
- Non-round punches

**UL and cUL classified to 600 kcmil (MCM) with Anderson, Blackburn, Burndy, ILSCO, Panduit, Thomas & Betts, and Penn-Union copper color-coded connectors. UL & CUL classified to 350 kcmil (MCM) with Anderson, Blackburn, Burndy, ILSCO, Panduit, Thomas & Betts, and Penn-Union aluminum color-coded connectors.*

E12CCXL & ECCXL Tool Capacities



CRIMPING

Copper Color-Coded Lugs and Splices: 750 kcmil
 Aluminum Color-Coded Lugs and Splices: 750 kcmil
 5/8" Service Entrance Connectors: 10-1/0 AWG
 .840 Service Entrance Connectors: 1/0-4/0 AWG
 Aluminum Overhead "H" taps: 6 AWG-500 kcmil
 One Piece ACSR Tension Splices: 4 AWG-556.5 kcmil
 Two Piece ACSR Tension Splices: 2 AWG-556.5 kcmil

CUTTING

Copper and Aluminum Cable: 1-1/2" (40 mm)
 ACSR: 954 kcmil (Cardinal)
 Standard Guy Strand: 5/8" (20 mm)
 EHS Guy Strand: 1/2" (13 mm)
 Ground Rod: 1/2" (13 mm)
 Rebar (schedule 60): 1/2" (13 mm)
 Threaded Rod: 1/4", 3/8", 1/2", 4 mm, 5 mm, 6 mm, 8 mm, 10 mm
 DIN Rail: 35 x 7.5, 32 x 15 x 9, 35 x 15

PUNCHING

Round: 5-5/8" (144.1 mm) in 10 ga. mild steel
 Rectangular: 2.677" x 5.433" (68.0 mm x 138.0 mm)
 Square: 5.4333" x 5.4333" (138.0 mm x 138.0 mm)
 Accessories required to punch 4-1/2" through 5-5/8"
 12185 Spacer, 04686 Bushing and 03170 Sleeve

Gator® CCXL Tools

AVAILABLE AS
BARE TOOL

CLASSIFIED
UL
c US

18V
Lithium-Ion

RSR

LED



12-TON
E12CCXL



6-TON
ECCXL

- Intelli-CRIMP™ Technology includes a pressure sensor that monitors the crimping force of each crimp and provides the operator a visual and audible alert if the force is below specifications
- State of the art 18V lithium ion (Li-ion) battery provides 70% more cycles per charge and faster cycle times
- Retraction Stop Repeat (RSR) allows the operator to partially retract the ram and then the tool repeats the retraction for subsequent crimps
- LED light provides the operator with the battery charge and tool maintenance status
- Two-stage hydraulic system provides fast advance and power speeds, saving time
- Forward handle position improves tool balance
- One trigger controls all tool functions
- Crimping head rotates 350°
- Tools automatically retract when the crimping or cutting cycle is complete
- Overmolded tacky grip areas make gripping the tool easier and more comfortable
- Smart chargers maximize battery life
- Use optional CCX blades and adapters (see page 45)
- U.S. Patent #6,206,663, #6,532,790

12-Ton tools

When used with Greenlee KC12 and KA12 dies in combination with Anderson®, Blackburn®, FCI Burndy®, ILSCO®, Panduit®, Penn-Union® and Thomas & Betts® color-coded connectors, crimps on connections up to 750 kcmil are UL and cUL classified. The tools also accept all industry "U" type dies. These tools drive knockout punches through 5-5/8" diameter.

6-Ton tools

When used with Greenlee KC22 and KA22 dies in combination with Anderson®, Blackburn®, FCI Burndy®, ILSCO®, Panduit®, Penn-Union® and Thomas & Betts® color-coded connectors, connections up to 600 kcmil (copper) and 350 kcmil (aluminum) are UL and cUL classified. These tools also accept Greenlee, Burndy®, Kearney, Blackburn®, Panduit® and Thomas & Betts® dies used for 6-ton tools. They can drive knockout punches up through 2" diameter.

SPECIFICATIONS	E12CCXL	ECCXL
Crimping Force	24,000 lb. (107 kN) 12-Ton	12,000 lb (53 kN) 6-Ton
Length	16-1/2" (419 mm)	16-1/2" (375 mm)
Weight	15 lbs. (6.8 kg)	14 lbs. (6.3 kg)
Battery	18 V, 4.0 Ah, Li-ion	18 V, 4.0 Ah, Li-ion
Battery Charge Time	25 minutes	40 minutes
Est. Cycles Per Charge	90	300



Crimping Dies for 6-Ton Tools

Crimping dies on page 33



Crimping Dies for 12-Ton Tools

Crimping dies on page 34

CAT. NO.	UPC NO.	DESCRIPTION
E12CCXL11	52037	12-Ton Battery-Powered 12CCX tool, w/120V charger
E12CCXL12	52038	12-Ton Battery-Powered 12CCX tool, w/12V charger
E12CCXL22	52039	12-Ton Battery-Powered 12CCX tool, w/230V charger
E12CCXL120	12856	CCX 12-Ton Tool w/120V AC Adapter
E12CCXL230	12857	CCX 12-Ton Tool w/230V AC Adapter
ECCXL11	52040	6-Ton Battery-Powered CCX tool, w/120V charger
ECCXL12	52041	6-Ton Battery-Powered CCX tool, w/12V charger
ECCXL22	10134	6-Ton Battery-Powered CCX tool, w/230V charger
ECCXL120	10139	CCX 6-Ton Tool w/120V AC Adapter
ECCXL230	10140	CCX 6-Ton Tool w/230V AC Adapter
ECCXLB	01134	CCX bare assembly, 6T
E12CCXLB	01135	CCX bare assembly, 12T
A 12274	12274	Carrying Strap
R 52176	52176	18 V, 4.0 Ah, Li-ion Battery
R 10122	10122	Carrying Case for E12CCXL & ECCXL
R 52178	52178	120V Charger
R 52179	52179	230V Charger
R 52180	52180	12V Charger

See page 45 for crimping die adapters, cutting blades and knockout punch adapter

CCX Tool Accessories (optional, all in pairs except punch driver)



UA22



UAK



UC40



UCUNC38



UA12P



UA12ID

DIE ADAPTERS

CAT. NO.	UPC NO.	DESCRIPTION	ECCXL	E12CCXL
UA22	07062	Adapter for Greenlee K22 dies	✓	
UAK	07033	Adapter for Kearney "O", T&B "6 Ton", and Blackburn "OD" dies	✓	
UAW	07035	Adapter for Burndy "W" and Panduit "CD-2001" dies (equivalent to "D3" die)	✓	
R UA12T	20158	Adapter for "U" dies (included with E12CCXL tool)		✓

CABLE CUTTING BLADES

CAT. NO.	UPC NO.	DESCRIPTION	ECCXL	E12CCXL
UC26	06714	Cutter blades AL & CU 1" capacity	✓	✓
UC40	07036	Cutter blades AL & CU 1-1/2" capacity	✓	✓
UCACSR	07037	Cutter blades for ACSR & guy strand	✓	✓

THREADED ROD CUTTING BLADES

CAT. NO.	UPC NO.	DESCRIPTION	ECCXL	E12CCXL
UCUNC14	07038	Cutter blades for 1/4" threaded rod	✓	✓
UCUNC38	07039	Cutter blades for 3/8" threaded rod	✓	✓
UCUNC12	07274	Cutter blades for 1/2" threaded rod	✓	✓

KNOCKOUT PUNCH ADAPTER

CAT. NO.	UPC NO.	DESCRIPTION	ECCXL	E12CCXL
UA12P	11890	Punch Driver Adapter* (accepts 3/4" draw stud)	✓	✓

DIELESS CRIMP ADAPTER

CAT. NO.	UPC NO.	DESCRIPTION	ECCXL	E12CCXL
UA12ID	00803	Dieless Crimp Adaptor		✓

COPPER AND ALUMINUM CUTTING

Selection Guide for Copper & Aluminum Cable Cutters

CABLE SIZE		AWG	#8	#6	#4	#2	#1	1/0	2/0	3/0	4/0	250 kcmil	300 kcmil	350 kcmil	400 kcmil	500 kcmil	600 kcmil	750 kcmil	1000 kcmil	1500 kcmil	2000 kcmil	Page	
		MM	6	10	16	25	35	40	50	70	95	120	150	150	185	240	300	400	500	800	1000	NO.	
BATTERY-POWERED																							
E12CCXL, ECCXL	Al	•	•	•	•	•	•	•	•	•	•	•	•	•	•	•	•	•	•	•	•	41	
	Cu	•	•	•	•	•	•	•	•	•	•	•	•	•	•	•	•	•	•	•	•		
	ACSR	•	•	•	•	•	•	•	•	•	•	•	•	•	•	•	•	•	•	•	•		
ES32L	Al	•	•	•	•	•	•	•	•	•	•	•	•	•	•	•	•	•	•	•	•	46	
	Cu	•	•	•	•	•	•	•	•	•	•	•	•	•	•	•	•	•	•	•	•		
ES1000	Al	•	•	•	•	•	•	•	•	•	•	•	•	•	•	•	•	•	•	•	•	54	
	Cu	•	•	•	•	•	•	•	•	•	•	•	•	•	•	•	•	•	•	•	•		
ES750	Al	•	•	•	•	•	•	•	•	•	•	•	•	•	•	•	•	•	•	•	•	54	
	Cu	•	•	•	•	•	•	•	•	•	•	•	•	•	•	•	•	•	•	•	•		
ESG50L	Al	•	•	•	•	•	•	•	•	•	•	•	•	•	•	•	•	•	•	•	•	48	
	Cu	•	•	•	•	•	•	•	•	•	•	•	•	•	•	•	•	•	•	•	•		
ESC85L, ESC105, ESG105	Al	•	•	•	•	•	•	•	•	•	•	•	•	•	•	•	•	•	•	•	•	51/ 50/49	
	Cu	•	•	•	•	•	•	•	•	•	•	•	•	•	•	•	•	•	•	•	•		
RATCHET																							
759	Al	•	•	•	•	•	•	•	•	•	•	•	•	•	•	•	•	•	•	•	0	59	
	Cu	•	•	•	•	•	•	•	•	•	•	•	•	•	•	•	•	•	•	•	0		
760,761	Al	•	•	•	•	•	•	•	•	•	•	•	•	•	•	•	•	•	•	•	•	59/ 58	
	Cu	•	•	•	•	•	•	•	•	•	•	•	•	•	•	•	•	•	•	•	0		
45206, 45206I	Al	•	•	•	•	•	•	•	•	•	•	•	•	•	•	•	•	•	•	•	•	59	
	Cu	•	•	•	•	•	•	•	•	•	•	•	•	•	•	•	•	•	•	•	0		
45207, 45207I	Al	•	•	•	•	•	•	•	•	•	•	•	•	•	•	•	•	•	•	•	•	59	
	Cu	•	•	•	•	•	•	•	•	•	•	•	•	•	•	•	•	•	•	•	0		
773	Al	•	•	•	•	•	•	•	•	•	•	•	•	•	•	•	•	•	•	•	•	58	
	Cu	•	•	•	•	•	•	•	•	•	•	•	•	•	•	•	•	•	•	•	0		
774	Al	•	•	•	•	•	•	•	•	•	•	•	•	•	•	•	•	•	•	•	•	58	
	Cu	•	•	•	•	•	•	•	•	•	•	•	•	•	•	•	•	•	•	•	0		
756	Al	•	•	•	•	•	•	•	•	•	•	•	•	•	•	•	•	•	•	•	•	58	
	Cu	•	•	•	•	•	•	•	•	•	•	•	•	•	•	•	•	•	•	•	0		
MANUAL																							
727,727M	Al	•	•	•	•	•	•	•	•	•	•	•	•	•	•	•	•	•	•	•	•	61	
	Cu	•	•	•	•	•	•	0	0	•	•	•	•	•	•	•	•	•	•	•	•		
718,718F	Al	•	•	•	•	•	•	•	•	•	•	•	•	•	•	•	•	•	•	•	•	60	
	Cu	•	•	•	•	•	•	•	•	•	•	0	0	0	•	•	•	•	•	•	•		
718HL	Al	•	•	•	•	•	•	•	•	•	•	•	•	•	•	•	•	•	•	•	•	61	
	Cu	•	•	•	•	•	•	•	•	•	•	•	•	•	•	0	0	•	•	•	•		
704	Al	•	•	•	•	•	•	•	•	•	•	•	•	•	•	•	•	•	•	•	•	60	
	Cu	•	•	•	•	•	•	•	•	•	•	•	•	0	0	•	•	•	•	•	•		
705	Al	•	•	•	•	•	•	•	•	•	•	•	•	•	•	•	•	•	•	•	•	60	
	Cu	•	•	•	•	•	•	•	•	•	•	•	•	•	•	•	•	•	•	•	0		
706	Al	•	•	•	•	•	•	•	•	•	•	•	•	•	•	•	•	•	•	•	•	60	
	Cu	•	•	•	•	•	•	•	•	•	•	•	•	•	•	•	•	•	•	•	0		

Note: • = Frequent use capacity 0 = maximum capacity

Gator® ETS8L Cable Tray Cutter

AVAILABLE AS
BARE TOOL

18v
Lithium-Ion

LED



ETS8L11

- Cuts basket style cable tray wires in 2 seconds
- Makes flush cuts
- State of the art 18V lithium ion (Li-ion) battery provides 70% more cycles per charge and faster cycle times
- LED light provides the operator with the battery charge and tool maintenance status
- In line tool style is light weight and very easy to control
- One trigger controls all tool functions
- Cutting head rotates 350°
- Tools automatically retract when the cutting cycle is complete
- Overmolded tacky grip areas make gripping the tool easier and more comfortable
- Smart chargers maximize battery life

SPECIFICATIONS

Weight	3.3 LBS. (1.5 KG)
Length	12-1/8" (308mm)
Battery	18V 2.0 Ah Li-ion
Battery Charge Time	25 minutes
Est. Cycles per Charge	400

CUTTING CAPACITIES

MATERIAL	DIAMETER				
	1/16"	1/8"	3/16"	1/4"	5/16"
Cable Tray (Mild steel, Zinc Plated)	✓	✓	✓	✓	✓
Cable Tray (Stainless Steel)	✓	✓	✓	✓	
Threaded Rods	✓	✓	✓	✓	✓
Threaded Rods, Stainless Steel	✓	✓	✓	✓	✓
Steel Bolts (Grade 2)	✓	✓	✓	✓	✓
Steel Bolts (Grade 8)	✓	✓	✓		

CAT. NO.	UPC NO.	DESCRIPTION
ETS8L11	52139	Battery Cable Tray Cutter w/120V charger
ETS8L12	52140	Battery Cable Tray Cutter w/12V charger
ETS8L22	52141	Battery Cable Tray Cutter w/230V charger
ETS8L120	52142	Cable Tray Cutter w/120V AC Adapter
ETS8L230	52143	Cable Tray Cutter w/230V AC Adapter
B ETS8LB	01140	ETS8 Bare Cable Tray Cutter
R 52177	52177	18V 2.0 Ah Li-ion Battery
R 25752	25752	Carrying Case
R 19987	19987	Blade Set
R 52178	52178	120V Charger
R 52179	52179	230V Charger
R 52180	52180	12V Charger

ETS12L Battery-Powered Bolt Cutter

AVAILABLE AS
BARE TOOL

18v
Lithium-Ion



ETS12L11

- Designed to cut one-time disposable locks, shipping container seals and small diameter bolts
- State of the art 18V lithium ion (Li-ion) battery provides 70% more cycles per charge and faster cycle times
- LED light provides the operator with the battery charge and tool maintenance status
- In line tool style is light weight and very easy to control
- One trigger controls all tool functions
- Cutting head rotates 350°
- Tools automatically retract when the cutting cycle is complete
- Overmolded tacky grip areas make gripping the tool easier and more comfortable
- Smart chargers maximize battery life

SPECIFICATIONS

Length	13-5/8" (365 mm)
Weight	4.4 lbs. (2.0 kg)
Battery	18V 2.0 Ah Li-ion
Battery Charge Time	25 Minutes
Est. Cycles per Charge	200

CUTTING CAPACITY

Common Bolt	1/2" diameter
Grade 5 Bolt	7/16" diameter
Grade 8 Bolt	5/16" diameter
Threaded Rod	1/2" diameter
One-Time Disposable Lock	4 AWG Alumoweld
Boa Lock	BL-9
Grade 40 Rebar	3/8" diameter
Steel Rod	3/8" diameter (1/2" diameter using two cycles)
Ground Rod	3/8" diameter (1/2" diameter using two cycles)
Copper and Aluminum Cable	2/0 AWG
ACSR	3/0 AWG Pigeon (4/0 AWG Pigeon using two cycles)
Guy Strand	5/16" diameter (3/8" diameter using two cycles)
EHS Guy Strand	5/16" diameter
Aircraft Cable	1/4" diameter

CAT. NO.	UPC NO.	DESCRIPTION
ETS12L11	52134	Battery Bolt & Lock Cutter-120 Volt Charger
ETS12L12	52135	Battery Bolt & Lock Cutter-12 Volt Charger
ETS12L22	52136	Battery Bolt & Lock Cutter-220 Volt charger
ETS12L120	52137	Bolt & Lock Cutter w/120V AC Adapter
ETS12L230	52138	Bolt & Lock Cutter w/230V AC Adapter
ETS12LB	01139	ETS12 Bare Bolt & Lock Cutter
25752	25752	Carrying Case
52177	52177	18V 2.0 Ah Li-ion Battery
56288	56288	Cutter Blade Kit
52178	52178	120V Charger
52179	52179	230V Charger
52180	52180	12V Charger

Gator® ES32LU Battery-Powered Cable Cutter

AVAILABLE AS
BARE TOOL

18v
Lithium-Ion



ES32L11

- State of the art 18V lithium ion (Li-ion) battery provides 70% more cycles per charge and faster cycle times
- LED light provides the operator with the battery charge and tool maintenance status
- Small size makes the ES32LU an excellent tool for use inside panel boxes
- In line tool style is light weight and very easy to control
- One trigger controls all tool functions
- Cutting head rotates 350°
- Tools automatically retract when the cutting cycle is complete
- Overmolded tacky grip areas make gripping the tool easier and more comfortable
- Smart chargers maximize battery life

SPECIFICATIONS

Capacity	500 kcmil (240 mm ²) Cu or Al cable
Battery Voltage	18V 4.0 Ah Li-ion
Length	15-1/2" (394 mm)
Weight	5 lbs. (2.2 kg)
Battery Charge Time	40 minutes
Est. Cycles Per Charge	200+ (500kcmil cable requires 2 cycles per cut)

CAT. NO.	UPC NO.	DESCRIPTION
ES32L11	00039	ES32LU Battery-Powered Cable Cutter w/120V Charger
ES32L12	00040	ES32LU Battery-Powered Cable Cutter w/12V Charger
ES32L22	52116	ES32L Battery-Powered Cable Cutter w/230 volt Charger
ES32L120	52117	ES32L Cable Cutter w/120V AC Adapter
ES32L230	52118	ES32L Cable Cutter w/ 230V AC Adapter
B ES32LB	01136	ES32 Bare Cutting Tool, 1.5T
R 12092	12092	Movable Blade
R 12093	12093	Fixed Blade
R 52176	52176	18V 4.0 Ah Li-ion Battery
R 52177	52177	18V 2.0 Ah Li-ion Battery
R 25752	25752	Carrying Case
R 52178	52178	120V Charger
R 52179	52179	230V Charger
R 52180	52180	12V Charger

Gator® ES32FL Battery-Powered Fine Stranded Copper Cable Cutter

AVAILABLE AS
BARE TOOL

18v
Lithium-Ion



ES32FL11

- Designed specifically for cutting fine stranded copper cable
- State of the art 18V lithium ion (Li-ion) battery provides 70% more cycles per charge and faster cycle times
- LED light provides the operator with the battery charge and tool maintenance status
- In line tool style is light weight and very easy to control
- One trigger controls all tool functions
- Cutting head rotates 350°
- Tools automatically retract when the cutting cycle is complete
- Overmolded tacky grip areas make gripping the tool easier and more comfortable
- Smart chargers maximize battery life

SPECIFICATIONS

Capacity	1-1/4" (32 mm) fine stranded Copper cable (Not for cutting standard stranded cables)
Battery Voltage	18V 2.0 Ah Li-ion
Length	14-5/8" (372 mm)
Weight	4.4 lbs. (2.0 kg)
Battery Charge Time	25 minutes
Est. Cycles Per Charge	200 (500kcmil cable requires 2 cycles per cut)

CAT. NO.	UPC NO.	DESCRIPTION
ES32FL11	19219	ES32FL Battery-Powered Cable Cutter w/120 V Charger
ES32FL12	19220	ES32FL Battery-Powered Cable Cutter w/12 V Charger
ES32FL22	19221	ES32FL Battery-Powered Cable Cutter w/230 V Charger
ES32FL120	19222	ES32FL Battery-Powered Cable Cutter w/120 V Charger
ES32FL230	19223	ES32FL Battery-Powered Cable Cutter w/230 V Charger
B ES32FLB	01137	ES32F Bare Cutting Tool, 1.5T
R 19234	19234	Blade Kit
R 52177	52177	18V 2.0 Ah Li-ion Battery
R 25752	25752	Carrying Case
R 52178	52178	120V Charger
R 52179	52179	230V Charger
R 52180	52180	12V Charger

ACSR, GUY STRAND & STEEL CUTTING

Selection Guide for ACSR, Guy Strand & Steel Cutters

	ACSR	STD. GUY STRAND	EHS GUY STRAND	GROUND ROD	REBAR (SCHEDULE 60)	PAGE #
BATTERY-POWERED						
ES20L	336.4 kcmil (Merlin)	3/8" (9 mm)		3/8" (9 mm)	3/8" (9 mm)	47
ESG25L	636 kcmil (Grosbeak)	5/8" (16 mm)		3/8" (9 mm)	3/8" (9 mm)	48
ESG55L	2515 kcmil (Joree 76/19)	5/8" (16 mm)	9/16" (14 mm)	3/4" (19 mm)	5/8" (16 mm)	53
ESG45L	1590.0 kcmil	5/8" (16 mm) dia.	1/2"	5/8" (16 mm) dia.	1/2" (13 mm) dia.	52
ES25	636 kcmil (except Egret)					55
HYDRAULIC-TYPE						
HK520	336.4 kcmil	1/2" (13 mm) dia.		1/2" (13 mm) dia.	7/16" (11 mm)	61
RATCHET-TYPE						
776	636.0 kcmil*					62
757	954.0 kcmil			1/2" (13 mm) dia.		62
758		1/2" (13 mm) dia.	1/2" (13 mm) dia.	1/2" (13 mm) dia.		62
MANUAL						
749	2/0 AWG					63
CUTTER DIES						
00949	477.0 kcmil	5/8" (16 mm) dia.	5/8" (16 mm) dia.	5/8" (16 mm) dia.	5/8" (16 mm) dia.	63
KD6-27	4/0 AWG					63

* For core diameters less than 0.32"

ES20L Battery ACSR Cutter

AVAILABLE AS
BARE TOOL

18V
Lithium-Ion



ES20L11

- Has unique scissor style blades
- Only battery ACSR cutter that will cut the short tag cable ends on H-tap style connectors
- Will cut up to 336 kcmil ACSR

SPECIFICATIONS

Length	15" (381 mm)
Width	2-7/8" (73 mm)
Height	4-1/2" (114 mm)
Weight	4.6 lbs (2 kg)
Battery	18V 4.0 Ah Li-Ion
Est. Cycles Per Charge	100
Capacity	Max Diameter 3/4"
ACSR	336.4 kcmil (Merlin)
Guy Strand (not EHS)	3/8" (9 mm)
Ground Rod	3/8" (9 mm)
Rebar (Schedule 60)	3/8" (9 mm)

CAT. NO.	UPC NO.	DESCRIPTION
ES20L11	13935	Cutter, ACSR BAT, 120V Charger
ES20L12	13936	Cutter, ACSR BAT, 12V Charger
ES20L22	13937	Cutter, ACSR BAT, 230V Charger
ES20LB	01152	ES20 Bare Cutter
ES20E	05526	Blade Kit

ESG25L Battery ACSR Cutter

AVAILABLE AS
BARE TOOL

18v
Lithium-Ion



ESG25L11

- Cuts up to 636 kcmil cable making it an excellent tool for distribution crews
- Lightweight and very easy to handle
- LED light provides the operator with the battery charge and tool maintenance status
- One trigger controls all tool functions
- Cutting head rotates 350°
- Tools automatically retract when the cutting cycle is complete
- Overmolded tacky grip areas make gripping the tool easier and more comfortable

SPECIFICATIONS

Length	15" (381 mm)
Width	2-7/8" (73 mm)
Height	4-1/2" (114 mm)
Weight	4.6 lbs (2 kg)
Battery	18V 4.0 Ah Li-Ion
Est. Cycles Per Charge	100
Capacity	Max Diameter 1" (25 mm)
ACSR	636 kcmil (Grosbeak)
Guy Strand (not EHS)	5/8" 16 mm
Ground Rod	3/8" (9 mm)
Rebar (Schedule 60)	3/8" (9 mm)
Wire Rope	1/2" (13 mm)

CAT. NO.	UPC NO.	DESCRIPTION
ESG25L11	12383	Cutter, ACSR BAT, 120V Charger
ESG25L12	12387	Cutter, ACSR BAT, 12V Charger
ESG25L22	12384	Cutter, ACSR BAT, 230V Charger
B ESG25LB	01147	ESG25 Bare Cutter
76807	76807	Blade Kit

Gator® Battery-Powered Cable Cutter

AVAILABLE AS
BARE TOOL

18v
Lithium-Ion



ESG50L11

- Used for cutting copper and aluminum power cables
- State of the art 18V lithium ion (Li-ion) battery provides 70% more cycles per charge and faster cycle times
- Retraction Stop allows the operator to stop the ram retraction at any point simply by tapping the trigger, and then starting the next cutting cycle from that point saving time and energy
- LED light provides the operator with the battery charge and tool maintenance status
- Two-stage hydraulic system provides fast advance and power speeds, saving time
- Forward handle position improves tool balance
- One trigger controls all tool functions
- Cutting head rotates 350°
- Tools automatically retract when the cutting cycle is complete
- Overmolded tacky grip areas make gripping the tool easier and more comfortable
- Smart chargers maximize battery life
- U.S. Patents #6,206,663 and #6,065,326

SPECIFICATIONS BATTERY POWERED

Cutting Capacity	2" (50 mm) diameter Al or Cu cable
Length	15-3/4" (400 mm)
Weight	9.8 lbs. (4.4 kg)
Height	13" (330 mm)
Battery	18 V, 4.0 Ah, Li-ion
Battery Charge Time	40 minutes
Est. Cycles Per Charge	300

CAT. NO.	UPC NO.	DESCRIPTION
ESG50L11	52129	Battery-Powered Cable Cutter, 120 V charger
ESG50L12	52130	Battery-Powered Cable Cutter, 12 V charger
ESG50L22	52131	Battery-Powered Cable Cutter, 230 V charger
ESG50L120	52132	Cable Cutter w/120V AC Adapter
ESG50L230	52133	Cable Cutter w/230V AC Adapter
B ESG50LB	01138	ESG 50 Bare Cable Cutter
R 04181	04181	Movable Blade
R 04184	04184	Fixed Blade
R 52176	52176	18 V, 4.0 Ah, Li-ion Battery
R 10118	10118	Carrying Case for ESG50L
A 12274	12274	Carrying Strap
R 52178	52178	120V Charger
R 52179	52179	230V Charger
R 52180	52180	12V Charger

Gator® ESG105LU Battery-Powered Cable Cutter



18v
Lithium-Ion



- Self-contained, 350° rotating guillotine cutting head provides increased output force, cable capacities & safety
- Precision blades provide clean cuts every time
- Dual position handles for easy operation and transport
- Lightweight, compact design for professional lineman
- Single trigger operation
- Automatic retraction after completed cycle

SPECIFICATIONS

Capacity*	4-1/8" Diameter (105mm) Communications Cu & Al Power Cables
Length	23.75" (604 mm)
Weight	22 lbs. (9.9 kg)
Battery	18V Li-Ion, 4.0 Ah
Est. Cycles Per Charge	40
Battery Charge Time	28 minutes

*Not for cutting ACSR, guy strand, or other cables and steel strands.

CAT. NO.	UPC NO.	DESCRIPTION
ESG105LU11	01582	Battery Cutter, Cable Bat 120V Charger
ESG105LU12	01583	Battery Cutter, Cable Bat 12V Charger
ESG105LU120	01585	Battery Cutter, Cable 120V Ac Adapter
ESG105LU22	01584	Battery Cutter, Cable Bat 230V Charger
ESG105LU230	01586	Battery Cutter, Cable 230V Ac Adapter
B ESG105LUB	01581	Cutter, Bare Tool
R 25766	25766	Adapter, Charger 18V Li To 12V Ni
R 52176	52176	Battery, 18V Li Ion 3.0Ah
R 12274	12274	Carrying Strap
R 52178	52178	Charger, Battery 120V
R 52179	52179	Charger, Battery 230V
R 52180	52180	Charger, Battery 12V
R EAC18120	52191	Adapter, Ac - 120V To 18V
R EAC18230	52192	Adapter, Ac - 230V To 18V

Gator® ESC105 Battery-Powered Cable Cutter

AVAILABLE AS
BARE TOOL



ESC105L11

18V
Lithium-Ion



- For cutting large diameter underground power and communications cables, including armored cables
- State of the art 18V lithium ion (Li-ion) battery provides 70% more cycles per charge and faster cycle times
- Retraction Stop allows the operator to stop the ram retraction at any point simply by tapping the trigger, and then starting the next cutting cycle from that point saving time and energy
- LED light provides the operator with the battery charge and tool maintenance status
- Two-stage hydraulic system provides fast advance and power speeds, saving time
- Scissor-style blades are easy to fit around cables
- Side handle enhances operator control
- Forward handle position improves tool balance
- One trigger controls all tool functions
- Cutting head rotates 350°
- Tools automatically retract when the cutting cycle is complete
- Overmolded tacky grip areas make gripping the tool easier and more comfortable
- Smart chargers maximize battery life
- 120V, 12V or 230V battery charger

SPECIFICATIONS

Capacity*	4" dia. (105 mm) Communications, Cu & Al power cables
Length	13-3/4" (604 mm)
Height	22 lbs. (9.9 kg)
Battery	18V, 4.0 Ah, Li-ion
Cycles per Battery Charge	40
Battery Charge Time	40 minutes

* Not for cutting ACSR, guy strand, or other cables with steel strands



CAT. NO.	UPC NO.	DESCRIPTION
ESC105L11	52145	Cutter, Cable 120V AC Adapter
ESC105L12	52146	Cutter, Cable 12V AC Adapter
ESC105L22	52147	Cutter, Cable 230V AC Adapter
B ESC105LB	01142	ESC105 Bare Cable Cutter
R 10118	10118	Carrying Case
R 12274	12274	Carrying Strap
R 52178	52178	120V Charger
R 52179	52179	230V Charger
R 52180	52180	12V Charger
R 52176	52176	18V 4.0 Ah Li-ion Battery

Gator® ESC85L Battery-Powered Cable Cutter

AVAILABLE AS
BARE TOOL



18V
Lithium-Ion



ESC85L11

- For cutting large diameter underground power and communications cables
- State of the art 18V lithium ion (Li-ion) battery provides 70% more cycles per charge and faster cycle times
- Retraction Stop allows the operator to stop the ram retraction at any point simply by tapping the trigger, and then starting the next cutting cycle from that point saving time and energy
- LED light provides the operator with the battery charge and tool maintenance status
- Two-stage hydraulic system provides fast advance and power speeds, saving time
- Scissor-style blades are easy to fit around cables
- Side handle enhances operator control
- Forward handle position improves tool balance
- One trigger controls all tool functions
- Cutting head rotates 350°
- Tools automatically retract when the cutting cycle is complete
- Overmolded tacky grip areas make gripping the tool easier and more comfortable
- Smart chargers maximize battery life

SPECIFICATIONS

Capacity	3-3/8" dia. (85 mm) ¹ Communications, Cu & Al power cables
Length	21" (533 mm)
Height	14.9 lbs. (6.7 kg)
Battery	18V 4.0 Ah Li-ion
Battery Charge Time	40 minutes
Est. Cycles per Charge	90



CAT. NO.	UPC NO.	DESCRIPTION
ESC85L11	52119	Cable Cutter w/120V Charger
ESC85L12	52120	Cable Cutter w/12V Charger
ESC85L22	52121	Cable Cutter w/230V Charger
ESC85L120	52122	Cable Cutter w/120V AC Adapter
ESC85L230	52123	Cable Cutter w/230V AC Adapter
ESC85LB	01143	ESC85 Bare Cable Cutter
R 52176	52176	18V 4.0 Ah Li-ion Battery
R ES85E	05090	Cutting Blade (2/tool)
R 10118	10118	Carrying Case
R 12274	12274	Carrying Strap
R 52178	52178	120V Charger
R 52179	52179	230V Charger
52180	52180	12V Charger

ESG45L Battery ACSR and Guy Wire Cutter

AVAILABLE AS
BARE TOOL



18v
Lithium-Ion



ESG45L11

- Designed specifically to cut ACSR, guy strand and ground rods
- State of the art 18V lithium ion (Li-ion) battery provides 70% more cycles per charge and faster cycle times
- Retraction Stop allows the operator to stop the ram retraction at any point simply by tapping the trigger, and then starting the next cutting cycle from that point saving time and energy
- LED light provides the operator with the battery charge and tool maintenance status
- Two-stage hydraulic system provides fast advance and power speeds, saving time
- Forward handle position improves tool balance
- One trigger controls all tool functions
- Cutting head rotates 350°
- Tools automatically retract when the cutting cycle is complete
- Overmolded tacky grip areas make gripping the tool easier and more comfortable
- Smart chargers maximize battery life
- U.S. Patents #6,206,663 and #6,065,326

SPECIFICATIONS

Capacity

ACSR:	1590 kcmil (MCM), (Falcon 54/19)
Standard Guy Strand:	5/8" diameter (16 mm diameter)
EHS Guy Strand:	1/2" diameter (13 mm diameter)
Ground Rod:	5/8" diameter (16 mm diameter)
Rebar (schedule 60):	1/2" diameter (13 mm diameter)
Wire Rope:	5/8" diameter (16 mm diameter)
Copper and Aluminum Cable:	1500 kcmil (MCM) (800 mm ²)
Soft Steel Bolts:	5/8" diameter (16 mm diameter)

Length	16-5/8" (423 mm)
Height	13" (330 mm)
Weight	13 lbs. (5.9 kg)
Battery	18V 4.0 Ah Li-ion
Battery Charge Time	40 minutes
Est. Cycles per Charge	90

CAT. NO.	UPC NO.	DESCRIPTION
ESG45L11	52124	Battery-Powered ACSR Cable Cutter, 120 V charger
ESG45L12	52125	Battery-Powered ACSR Cable Cutter, 12 V charger
ESG45L22	52126	Battery-Powered ACSR Cable Cutter, 230 V charger
ESG45L120	52127	Cable Cutter w/120V AC Adapter
ESG45L230	52128	Cable Cutter w/230V AC Adapter
B ESG45LB	01141	ESG45 Bare Cable Cutter
R ESG45ESI	10398	Movable Blade
R ESG45EF	10397	Fixed Blade
R 52176	52176	18V 4.0 Ah Li-ion Battery
R 10118	10118	Carrying Case for ESG45L
A 12274	12274	Carrying Strap
R 52178	52178	120V Charger
R 52179	52179	230V Charger
R 52180	52180	12V Charger



ESG55L Battery ACSR and Guy Wire Cutter

AVAILABLE AS
BARE TOOL



18V
Lithium-Ion



- Designed to cut the largest ACSR cables, ground rods, and guy strands
- Makes an excellent tool for transmission construction and maintenance crews
- State of the art 18V lithium ion (Li-ion) battery provides 70% more cycles per charge and faster cycle times
- Retraction Stop allows the operator to stop the ram retraction at any point simply by tapping the trigger, and then starting the next cutting cycle from that point saving time and energy
- LED light provides the operator with the battery charge and tool maintenance status
- Two-stage hydraulic system provides fast advance and power speeds, saving time
- Forward handle position improves tool balance
- One trigger controls all tool functions
- Cutting head rotates 350°
- Tools automatically retract when the cutting cycle is complete
- Overmolded tacky grip areas make gripping the tool easier and more comfortable
- Smart chargers maximize battery life.
- U.S. Patents #6,206,663 and #6,065,326.

SPECIFICATIONS

Capacity	2-1/8"
ACSR	2515 kcmil (Joree 76/19)
Guy Strand	5/8" (16 mm)
EHS Guy Strand	9/16" (14 mm)
Ground Rod	3/4" (19 mm)
Rebar (Schedule 60)	5/8" (16 mm)
Soft steel bolts	3/4" (19 mm)
Length	18-1/8" (460 mm)
Width	3-1/8" (80 mm)
Height	13-1/4" (337 mm)
Weight	17.5 lb. (8 kg)
Battery	18V 4.0 Ah Li-ion
Est. Cycles Per Charge	80

CAT. NO.	UPC NO.	DESCRIPTION
ESG55L11	13006	Cutter, ACSR BAT, 120V Charger
ESG55L12	13007	Cutter, ACSR BAT, 12V Charger
ESG55L22	13008	Cutter, ACSR BAT, 230V Charger
ESG55LB	01153	ESG55 Bare Cutter
52176	52176	18V 4.0 Ah Li-ion Battery
12274	12274	Carrying Strap
52178	52178	120V Charger
52179	52179	230V Charger
52180	52180	12V Charger
10118	10118	Carrying Case for ESG45L



Gator® ES1000 Battery-Powered Cable Cutter



ES1000L11

- Compact design permits use in tight locations
- One hand operation
- Extra-heavy blades for clean cuts and long life
- Performs approximately 35 cuts in 1000 kcmil copper cable per battery charge
- Easy to switch between forward and reverse direction
- 14.4 volt battery recharges in one hour
- Includes two batteries, battery charger, and molded carrying case

SPECIFICATIONS

Capacity	Copper	1000 kcmil
	Aluminum	1000 kcmil
Blade Opening	2-1/8" (54mm)	
Length	14-3/4" (375mm)	
Weight	7.3 lb. (3.3 kg)	
Battery	14.4 Volt, NiCd	

CAT. NO.	UPC NO.	DESCRIPTION
ES100011	50013	Battery-powered Cable Cutter, 120 V Charger
ES100022	50015	Battery-powered Cable Cutter, 230 V Charger
R 11851	11851	14.4 V NiCd Battery
R 50017	50017	Blade Set
R 11845	11845	Carrying Case
R 11841	11841	120V Charger
R 11856	11856	230V Charger

Gator® ES750 Battery-Powered Cable Cutter



ES750-11

- Cuts 500 kcmil (MCM) copper cable in under 8 seconds
- Compact design permits use in tight locations
- Extra-heavy blades for clean cuts and long life
- Makes approximately 20 cuts in 750 kcmil (MCM) per battery charge
- Easy to switch between forward and reverse direction
- 12 volt battery recharges in one hour
- Includes battery charger, one battery and molded carrying case
- Not for use on 500 kcmil or larger compact cable

SPECIFICATIONS

Cutting Capacity	750 kcmil (MCM) (400 mm ²) copper cable
	1000 kcmil (MCM) (500 mm ²) aluminum cable
Length	14-1/4" (362 mm)
Weight	5.8 lbs. (2.6 kg)
Battery	12 Volts NiCd

CAT. NO.	UPC NO.	DESCRIPTION
ES750-11	45380	Battery-Powered Cable Cutter, 120 V Charger
ES750-22	45381	Battery-Powered Cable Cutter, 230 V Charger
R 45378	45378	Extra 12 Volt NiCd Battery
R 45334	45334	Movable Blade
R 45333	45333	Fixed Blade
R 45383	45383	Carrying Case
R 45379	45379	120V Charger
R 45382	45382	230V Charger

ES25 Battery-Powered ACSR Cutter



ES25L11

- Cuts ACSR type cables
- One-hand operation permits operator to control the cable with a free hand
- Capable of making approximately 50 cuts of Grosbeak or 120 cuts of Merlin per battery charge
- Blades are specially contoured and hardened to cut both aluminum and steel strands
- Operator can switch between reverse and forward direction with one finger
- Includes two batteries, battery charger, and molded carrying case

SPECIFICATIONS

Capacity	ACSR	636 kcmil (except Egret)
	Aluminum	1500 kcmil
Length	14-3/4" (375mm)	
Weight	7.7 lb. (3.5 kg)	
Battery	14.4 Volt, NiCd	
Battery Charge Time	1 Hour	

CAT. NO.	UPC NO.	DESCRIPTION
ES2511	35369	Battery ACSR Cutter, 120 V Charger
ES2522	22132	Battery ACSR Cutter, 230 V Charger
76807	76807	Blade Kit
11851	11851	14.4 V NiCd Battery
11845	11845	Carrying Case
11841	11841	120V Charger
11856	11856	230V Charger



Remote Hydraulic Cutting

- Guillotine cutting heads provide additional safety and cutting control
- Precision blades provide clean cuts every time
- Dual position handles for easy operation and transport
- Light-weight, compact design for professional linemen



CAT. NO.	UPC NO.	DESCRIPTION
SDG45	01555	Remote ACSR Cable Guillotine Cutter, 45mm
SDG55	01556	Remote ACSR Cable Guillotine Cutter, 55mm
SDG85	01522	Remote Cable Guillotine Cutter, 85mm
SDG105	01526	Remote Cable Guillotine Cutter, 105mm
SDK105	01870	Remote Cable Scissor Cutter, 105mm
01059	01059	Hose Assy, 1/4" X 6' 3/8M&3/8"F Filled
01058	01058	Hose Assy, 1/4" X 6' 3/8M&1/4"M Filled
05850	05850	Hose Assy, 1/4" X 10' 3/8M&3/8"F Filled
17707	17707	Hose Assy, 1/4" X 10' 3/8M&1/4"M Filled

SPECIFICATIONS	SDG45	SDG55	SDG85	SDG105	SDK105
Length	16-5/8" (423mm)	18-18" (460mm)	21" (533mm)	23-3/4" (604mm)	20" (510mm)
Weight	8.38 lb (3.8 KG)	12.35 lb (5.6 KG)	9.48 lb (4.3 KG)	16.98 lb (7.7 KG)	17 lb (7.7 KG)
Connector	3/8" NPT Male (Screw-Type)	3/8" NPT Male (Screw-Type)	3/8" NPT Male (Screw-Type)	3/8" NPT Male (Screw-Type)	3/8" NPT Male (Screw-Type)
Communications, Cu & Al Power Cables	1-3/4" (50mm)	2-1/8" (55mm)	3-3/8" (85mm)	4" (105mm)	4" (105mm)
ACSR	1590 kcmil (MCM)	2515 kcmil			
Standard Guy Strand	5/8" (16mm)	5/8" (16mm)			
EHS Guy Strand	1/2" (13mm)	9/16" (14mm)			
Ground Rod	5/8" (16mm)	3/4" (19mm)			
Rebar	1/2" (13mm)	5/8" (16mm)			
Wire Rope	5/8" (16mm)	5/8" (16mm)			
Copper and Aluminum Cable	1500 kcmil (MCM)	1500 kcmil (MCM)			

BATTERY-POWERED HYDRAULIC PUMPS

EHP700LU Hydraulic Battery-Powered Pump

AVAILABLE AS
BARE TOOL

IntelliCRIMP™
INTELLIGENT CRIMPING SYSTEM™

RSR

18V
Lithium-Ion



EHP700LU11

- Loaded with intelligent features such as a multi-function pressure sensor, self-diagnostics, and a real-time LED readout
- Versatile battery pump can crimp, cut and punch with up to 10,000 psi of pressure
- Mode dial enables the user to select between three primary intelligent program settings: CRIMP, CUT and PUNCH
- Each setting provides specific pressure functionality for the job at hand
- Future Proof settings allow for a variety of additional functions to be programmed into the pump via a bi-directional optical connection
- Intelli-CRIMP™ technology monitors the crimping process, ensuring the correct amount of pressure is applied for each crimp
- Real-Time Monitoring is displayed via LED screen and recorded for statistics
- Automatic Retraction detects pressure drop from completed action and releases pressure, preventing damage to head
- Manual Retraction allows user to retract head to starting position at any time

SPECIFICATIONS

Operating pressure	10,000 psi (700 bar)
Oil volume	0.80 qt (0.76l)
Flow rate of double stage pump	
Low pressure range	up to 0.9 l/min
At full pressure	0.3 l/min
Degree of protection	IP43
Battery voltage	18V
Battery capacity	4.0 Ah, Li-Ion
Number of batteries	2 - 1 active, 1 stored
Charging time	40 minutes
Ambient temperature	10°F - 104°F (-12°C to 40°C)
Weight without batteries	10.8 lbs. (4.9 kg)
Weight with 2 batteries	14.1 lbs.
Length	14.0" (356mm)
Width	6.5" (165mm)
Height	11.5" (292mm)

B

CAT. NO.	UPC NO.	DESCRIPTION
EHP700LU11	00754	Power Pump, Bat 120V Chrgr
EHP700LU12	00755	Power Pump, Bat 12V Chrgr
EHP700LU22	00757	Power Pump, Bat 230V Chrgr
EHP700LU120	00756	Power Pump, 120V Adapter
EHP700LU230	00758	Power Pump, 230V Adapter
EHP700LUB	01150	EHP700 Bare Pump
HTA4GL	00759	Remote Control
TG3	01054	Strap
EAC18120	52191	Adapter, Ac - 120V To 18V
EAC18230	52192	Adapter, Ac - 230V To 18V
52176	52176	Battery, 18V Li Ion 3.0Ah
52178	52178	Charger, Battery 120V
52179	52179	Charger, Battery 230V
52180	52180	Charger, Battery 12V
25766	25766	Adapter, Charger 18V Li To 12V Ni
EL122/32	02042	Hydraulic Fluid, Biodegradable
17707	17707	Hose Assy, 1/4" X 10' 3/8M&1/4M Filled
05850	05850	Hose Assy, 1/4" X 10' 3/8M&3/8F Filled
01058	01058	Hose Assy, 1/4" X 6' 3/8M&1/4M Filled
01059	01059	Hose Assy, 1/4" X 6' 3/8M&3/8F Filled



Non-Conductive Hoses for EHP700LU

Non-Conductive hoses on page 24.

Gator® Pack



GATOR-PK

- Loaded with intelligent features such as a multi-function pressure sensor, self-diagnostics, and a real-time LED readout
- Hi-Vis vinyl material
- Triple reinforced hang tab. (SWL = 125lbs.)
- Water resistant
- Three adjustment straps for comfort
- Three internal compartments for safe and secure transport
- Three external pouches for batteries, gloves, and accessories

CAT. NO.	UPC NO.	DESCRIPTION
GATOR-PK	02274	Utility Backpack

SPECIFICATIONS (W x H x D)

Top	15" x 10" x 9" (1350 Cubic Inches)
Front	15" x 8" x 4" (480 Cubic Inches)
Sides	8" x 5" x 2" (80 Cubic Inches)

Ideal carrying weight is approximately 1/5 of user's weight.

RATCHET CABLE CUTTERS

Heavy-Duty Ratchet Cable Cutters



756

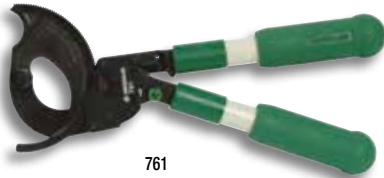
- Extra thick blades, ground flat to reduce potential for breakage
- Ratchet action for heavy-duty cutting
- Two cutting actions – fast scissor cutting for small cable and insulation; converts automatically to ratchet mode
- Anti-slip mechanism for positive ratchet action
- Rubber boot protects ratchet mechanism

SPECIFICATIONS

	COPPER	ALUMINUM
Maximum Capacity	1500 kcmil (MCM) (800 mm ²)	1500 kcmil (MCM) (800 mm ²)
Frequent Use Capacity	1000 kcmil (MCM) (500 mm ²)	1000 kcmil (MCM) (500 mm ²)
Length	27-1/2" (698 mm) long	
Jaw opening	2" (51 mm)	
Weight	11.41 lbs. (5.17 kg)	

CAT. NO.	UPC NO.	DESCRIPTION
756	34081	Heavy-Duty Ratchet Cable Cutter with rubber boot.
R 34188	34188	Cutter Head Unit (Includes 2 Blades)

Two-Hand Ratchet Cable Cutter



761

- Two-handed operation provides more leverage and makes cutting large cables easier
- Short fiberglass handles make it easy to use in tight places and to store in tool boxes
- Single-speed ratchet mechanism
- Blade release allows blades to be opened in mid-cut
- Heavy-duty forged steel blades provide long life

SPECIFICATIONS

Cutting Capacity*	Copper: 1000 kcmil (MCM) (500 mm ²) Aluminum: 1000 kcmil (MCM) (500 mm ²) Communications Cable: 1-1/8" dia. (28 mm ²)
Length	10-3/4" (273 mm)
Weight	3.6 lbs. (1.6 kg)

CAT. NO.	UPC NO.	DESCRIPTION
761	11761	Two-Hand Ratchet Cable Cutter
R 11768	11768	Movable Blade (761)

High Performance Ratchet Cable Cutters



773



774

SPECIFICATIONS

	773	774
Maximum Capacity*	Copper: 500 kcmil (MCM) (240 mm ²) Aluminum: 795 kcmil (MCM) (400 mm ²) Communications Cable: 1-3/16" dia.	Copper: 750 kcmil (MCM) (400 mm ²) Aluminum: 795 kcmil (MCM) (400 mm ²) Communications Cable: 1-3/16" dia.
Frequent Use Capacity*	Copper: 350 kcmil (MCM) (150 mm ²) Aluminum: 750 kcmil (MCM) (400 mm ²) Communications Cable: -	Copper: 500 kcmil (MCM) (240 mm ²) Aluminum: 750 kcmil (MCM) (400 mm ²) Communications Cable: -
Length	5-1/2" (394 mm)	19-1/8" (486 mm)
Weight	5.3 lbs. (2.4 kg)	5.8 lbs. (2.6 kg)

- Two-speed mechanism saves cutting time by closing the blades rapidly and shifting to normal speed to perform the cut
- No more pushing on stubborn release buttons—the blades open automatically when the cut is complete
- Completely new ratchet mechanism improves durability
- Narrow profile permits use in deep boxes, against walls or on floors
- Durable, lightweight fiberglass handles
- U.S. Patent #6,766,581

CAT. NO.	UPC NO.	DESCRIPTION
773	01876	High Performance Ratchet Cable Cutter, 15-1/2"
774	01878	High Performance Ratchet Cable Cutter 19-1/8"
R 10809	10809	Movable & Fixed Blades (773 & 774)

Ratchet Cable Cutters



45206



45207I

- Simple, one-hand operation
- Exclusive two-speed ratcheting mechanism adjusts for light/heavy cutting
- Well-suited for tight working spaces
- Blades can be opened mid-cycle
- Available with cushioned handles or with 1000V insulated cushioned handles

SPECIFICATIONS

	45206 & 45206I	45207 & 45207I
Maximum Capacity*	Copper: 600 kcmil (MCM) (300 mm ²) Aluminum: 600 kcmil (MCM) (300 mm ²) Communications Cable: 1-3/8" (35 mm) dia.	Copper: 750 kcmil (MCM) (400 mm ²) Aluminum: 1000 kcmil (MCM) (500 mm ²) Communications Cable: 2" (51 mm) dia.
Frequent Use Capacity*	Copper: 500 kcmil (MCM) (240 mm ²) Aluminum: 500 kcmil (MCM) (240 mm ²) Communications Cable: -	Copper: 600 kcmil (MCM) (300 mm ²) Aluminum: 750 kcmil (MCM) (400 mm ²) Communications Cable: -
Length	10" (254 mm)	11" (279 mm)
Weight	1-7/16" (36.5 mm)	2" (51 mm)

CAT. NO.	UPC NO.	DESCRIPTION
45206	45206	Ratchet Cable Cutter (1.5 lbs./7 kg)
45206I	12680	Ratchet Cable Cutter with Insulated Handles (1.5 lbs./7 kg)
45207	45207	Ratchet Cable Cutter (2.4 lbs./1.1 kg)
45207I	12681	Ratchet Cable Cutter with Insulated Handles (2.4 lbs./1.1 kg)
45218	45218	Movable Blade (45206 & 45206I)
45212	45212	Fixed Blade and Handle (45206)
12526	12526	Fixed Blade and Handle (45206I)
45211	45211	Movable Blade (45207 & 45207I)
45228	45228	Fixed Blade and Handle (45207)
05883	05883	Fixed Blade and Handle (45207I)

Compact Ratchet Cable Cutters



759



760

- Simple, one-hand operation
- Compact – convenient for working in tight places and stores easily in tool pouches
- Single-speed ratchet mechanism
- Blade release allows blades to be opened in mid-cut
- Heavy-duty blades provide long life

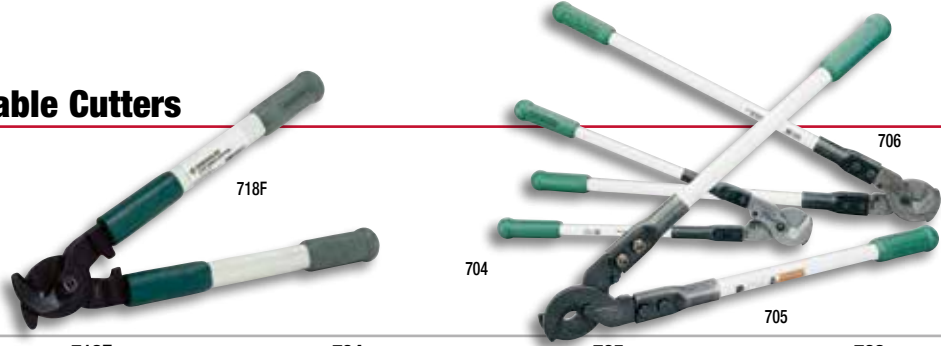
SPECIFICATIONS

	759	760
Maximum Capacity*	Copper: 500 kcmil (MCM) (240 mm ²) Aluminum: 750 kcmil (MCM) (400 mm ²) Communications Cable: 1-1/8" dia. (28 mm ²).	Copper: 1000 kcmil (MCM) (500 mm ²) Aluminum: 1000 kcmil (MCM) (500 mm ²) Communications Cable: 1-3/4" dia. (42 mm ²)
Frequent Use Capacity*	Copper: 400 kcmil (MCM) (185 mm ²) Aluminum: 600 kcmil (MCM) (300 mm ²) Communications Cable: -	Copper: 750 kcmil (MCM) (400 mm ²) Aluminum: 1000 kcmil (MCM) (500 mm ²) Communications Cable: -
Length	10-1/2" (262 mm)	11-3/4" (298 mm)
Weight	1.4 lbs. (0.6 kg)	1.75 lbs. (0.8 kg)

CAT. NO.	UPC NO.	DESCRIPTION
759	45277	Compact Ratchet Cable Cutter
760	17600	Compact Ratchet Cable Cutter
45282	45282	Movable Blade (759)
45281	45281	Fixed Blade (759)
09908	09908	Movable Blade (760)
09907	09907	Fixed Blade (760)
45297	45297	Handle Spring

*Capacity may be less for compact and compressed cables

Heavy-Duty Cable Cutters



SPECIFICATIONS	718F	704	705	706
Maximum Capacity*				
Copper	350 kcmil (MCM) (150 mm ²)	350 kcmil (MCM) (150 mm ²)	500 kcmil (MCM) (240 mm ²)	750 kcmil (MCM) (400 mm ²)
Aluminum	-	500 kcmil (MCM) (240 mm ²)	1000 kcmil (MCM) (500 mm ²)	1000 kcmil (MCM) (500 mm ²)
Communications Cable:	1" (25 mm) dia.	1-1/4" (32 mm) dia.	1-3/4" (44 mm) dia.	1-1/2" (38 mm) dia.
Frequent Use Capacity*				
Copper	4/0 AWG (95)	250 kcmil (MCM) (120 mm ²)	350 kcmil (MCM) (150 mm ²)	500 kcmil (MCM) (240 mm ²)
Aluminum	350 kcmil (MCM) (150 mm ²)	350 kcmil (MCM) (150 mm ²)	750 kcmil (MCM) (400 mm ²)	750 kcmil (MCM) (400 mm ²)
Communications Cable	-	-	-	-
Length	17-1/2" (444 mm)	21" (533 mm)	25-1/2" (648 mm)	31-1/2" (800 mm)
Weight	2.8 lbs. (1.3 kg)	3.01 lbs. (1.37 kg)	5.5 lbs. (2.5 kg)	6.2 lbs. (2.8 kg)

718F, 704, 705 and 706

- Strong, lightweight fiberglass handles
- Adjustable pivot bolt provides for blade adjustment

704, 705 and 706

- Replaceable, forged, heat-treated, and precision ground blades
- Made in USA

CAT. NO.	UPC NO.	DESCRIPTION
718F	10507	Heavy-Duty Cable Cutter, 17-1/2"
704	24564	Heavy-Duty Cable Cutter, 21"
705	05923	Heavy-Duty Cable Cutter, 25-1/2"
706	22291	Heavy-Duty Cable Cutter, 31-1/2"
R 24565	24565	704 Cutter Unit (Includes 2 Blades)
R 24567	24567	704 Handle Unit (Includes Handle, Sleeve, Grip)
R 05930	05930	705 Handle Unit (Includes Handle, Sleeve, Grip)
R 06555	06555	705 & 706 Cutter Unit (Includes 2 Blades)
R 22296	22296	706 Handle Unit (Includes Handle, Sleeve, Grip)

**Capacity may be less for compact and compressed cables*

718 Cable Cutter



- Economical, lightweight, fits easily into tool boxes
- Heat-treated, precision ground, shear action blades
- Steel handles with rubber grips for leverage
- Made in USA

SPECIFICATIONS	COPPER	ALUMINUM
Maximum Capacity*	350 kcmil (MCM) (150mm ²)	-
Frequent Use Capacity	4/0 (95 mm ²)	350 kcmil (MCM) (150 mm ²)
Length	18" (457 mm)	
Weight	2.78 lbs. (1.3 kg)	

CAT. NO.	UPC NO.	DESCRIPTION
718	30208	Cable Cutter

**Capacity may be less for compact and compressed cables*

718HL Cable Cutter



- Unique “double joint” reduces handle effort required by 25% and increases cutting capacity to 500 kcmil
- Fits into tool boxes
- Heat-treated, precision ground, shear action blades
- Strong steel handles with molded grips for good leverage
- Patent Pending

SPECIFICATIONS

	COPPER	ALUMINUM
Maximum Capacity*	500 kcmil	500 kcmil
Frequent Use Capacity	350 kcmil	500 kcmil
Length	18" (457 mm)	
Weight	3.25 lbs. (1.5 kg)	

CAT. NO.	UPC NO.	DESCRIPTION
718HL	12847	Cable Cutter

*Capacity may be less for compact and compressed cables

Cable Cutter



- Easily cuts heavier copper and aluminum cables
- Precision-ground, shear-action, curved cutting blades
- 727 has PVC-covered, high-leverage handles for easier cuts
- 727M has cushion grip, high-leverage handles for added comfort
- Heat-treated for long life
- Made of heavy-duty forged steel
- Rust-resistant black oxide finish

SPECIFICATIONS

Maximum Capacity*	Copper: 2/0 (70 mm ²) Aluminum: - Communications Cable: -
Frequent Use Capacity*	Copper: #1 AWG (35 mm ²) Aluminum: 2/0 (70 mm ²) Communications Cable: 100 pair
Length	10-3/4" (273 mm)
Weight	3.6 lbs. (1.6 kg)

CAT. NO.	UPC NO.	DESCRIPTION
727	31291	Cable Cutter
727M	12629	Cable Cutter with Molded Grip

Hydraulic ACSR Cable Cutter



- Hydraulic cutter takes effort out of cutting tough cables
- Flip-open head provides strength while making it easy to cut long lengths
- Head rotates 180°
- Thumb release lever for quick blade retraction

SPECIFICATIONS

Capacity	ACSR: 336.4 kcmil (MCM) Standard Guy Wire, Ground Rod: 1/2" (13 mm) Soft Steel Bolts: 11/16" (17 mm) Wire Rope: 3/4" (19 mm) Rebar: 7/16" dia. (Schedule 60)
Length	14.5" (368 mm)
Weight	5.7 lbs. (2.6 kg)

CAT. NO.	UPC NO.	DESCRIPTION
HK520	08031	Hydraulic ACSR Cable Cutter
00336	00336	Cutter Blade
00301	00301	Fixed Cutter Head

High Performance Ratchet ACSR Cable Cutter



- Two-speed mechanism saves cutting time by closing the blades rapidly and shifting to normal speed to perform the cut
- Patented mechanism opens the blades automatically when the cut is complete. (U.S. Patent #6,766,581)
- Completely new ratchet mechanism provides excellent durability
- Short length fits easily into truck bins
- Durable, lightweight fiberglass handles

SPECIFICATIONS

Capacity	Cuts ACSR through 636 kcmil with steel core diameters less than 0.32"
Specifically cuts	All 336.4 and Smaller ACSR plus: 397.5 - Brant, Chickadee, Ibis 477.0 - Pelican, Flicker, Hawk 556.5 - Osprey, Parakeet 605.0 - Peacock 636.0 - Kingbird, Swift, Rook
Length	20" (508 mm)
Weight	6.2 lb. (2.8 kg)

CAT. NO.	UPC NO.	DESCRIPTION
776	02826	High Performance ACSR Cable Cutter
R 11397	11397	Movable & Fixed Blade Set

Ratchet ACSR Cable Cutter



- Extra-thick blades, ground flat to reduce potential for breakage
- Ratchet action for increased cutting power
- Two cutting actions – fast scissor cutting for small cable; converts automatically to ratchet mode
- Anti-slip mechanism for positive ratchet action
- Rubber boot protects ratchet mechanism

SPECIFICATIONS

Capacity	954 kcmil (MCM) ACSR, 1/2" (12.7 mm) soft steel rod
Length	29-1/4" (743 mm)
Jaw opening	1.18" (30 mm)
Weight	12.22 lbs. (5.54 kg)

CAT. NO.	UPC NO.	DESCRIPTION
757	34084	Ratchet ACSR Cable Cutter
R 34187	34187	Cutter Head Unit (Includes 2 Blades)

EHS Guy Wire Cutter



- Has two cutting actions – single-motion cutting for small cable, ratchet action for heavy-duty cutting
- Anti-slip mechanism for positive ratchet action

SPECIFICATIONS

Capacity	1/2" EHS and standard Guy Wire, 1/2" Mild Steel Rods and Bolts
Length	27-3/4" (704 mm)
Weight	10 lbs. 12 oz. (4.8 kg)

CAT. NO.	UPC NO.	DESCRIPTION
758	01274	Heavy-Duty Ratchet Guy Wire Cutter
R 03548	03548	Cutter Head Unit (Includes Blades, Blade Holder, Insert and Hardware)

Guy Wire Cutter Dies



00949

- Works with any crimping tool that accepts 12-ton "U" type dies
- Less costly than dedicated cutting tools
- Simple to install in crimping tools
- Requires no adjustments for cutting different materials
- Will cleanly cut guy wire (including EHS), grade 60 rebar, ground rod, soft steel bolts up to 5/8" (16 mm) and up to 477 kcmil (MCM) (240 mm²) ACSR
- U.S. Patent Number 5,775,158

SPECIFICATIONS

Capacity	Guy Wire: 5/8" (16 mm) dia. Ground Rod: 5/8" (16 mm) dia. EHS Guy Wire: 5/8" (16 mm) dia. Soft Steel Bolts: 5/8" (16 mm) dia. Rebar (grade 60): 5/8" (16 mm) dia. ACSR: 477 kcmil (MCM) (240 mm ²)
-----------------	---

CAT. NO.	UPC NO.	DESCRIPTION
00949	00949	Cutting dies for 12-ton "U" die type crimping tools

KD6-27 Cutter Dies



KD6-27

- "W" style dies for cutting ACSR
- Now, with improved steel and heat treatment for better durability
- Can be used with any crimping tool that accepts "W" dies. Including: Greenlee K4250, K425BG, EK622L, ECCXL (with UAW adapters), and EK628L (with CJD3 jaws)
- Equivalent to Burndy W-28K

SPECIFICATIONS

Capacity	4/0 ACSR
-----------------	----------

CAT. NO.	UPC NO.	DESCRIPTION
KD6-27	10182	"W" Style Cutting Dies for ACSR

ACSR Cable Cutter



749

- Precision-machined, forged steel blades
- Cuts ACSR service entrance cable
- Steel handles with rubber hand grips

SPECIFICATIONS

Capacity	ACSR Cable: 2/0, 7/16" (11.1 mm) Piano Wire: 1/8" (3.2 mm) Copper/Aluminum Cable: 350 kcmil (mcm) (150 mm ²)
Length	28" (711 mm)
Weight	5.66 lbs. (2.6 kg)

CAT. NO.	UPC NO.	DESCRIPTION
749	32913	ACSR Cable Cutter
R 04663	04663	Bolt & Nut Set

Steel Cable & Wire Rope Cutter



722

- Cuts small diameter wire rope & wire
- Heavy-duty forged steel blades and handles
- Heat treated, precision ground, shear action cutting blades
- Cushioned handle grips

SPECIFICATIONS

Capacity	Soft Wire Rope: 1/4" (6 mm) dia. Aircraft Cable: 3/16" (5 mm) dia. Hard Steel Wire: 3/16" (5 mm) dia. Copper/Aluminum Cable: 15/64" (6 mm) dia.
Length	7 7/8" (200 mm)
Weight	.75 lbs. (.34 kg)

CAT. NO.	UPC NO.	DESCRIPTION
722	19990	Wire Rope & Cable Cutter

Ratchet Communications Cutter



Not for use on ACSR or steel jacketed cable

- This versatile cutter has a specially designed moving blade to handle the larger diameter telephone cable and soft drawn copper and aluminum
- Cuts up to 2,700 pair 3" telephone cable
- Blade release for safety and fast backout
- Ratchet lock
- Blades are manufactured from high carbon tool steel and heat-treated for long life
- Rust-resistant, black oxide finish

SPECIFICATIONS

Length	11-1/2" (287 mm)
Weight	2.8 lbs. (1.3 kg)

CAT. NO.	UPC NO.	DESCRIPTION
45240	45240	Telco Ratchet Cutter
45241	45241	Movable Blade
45242	45242	Fixed Blade

Heavy-Duty Manual Communications Cable Cutter



- Forged and heat-treated blades specially designed for communications cable
- Makes clean cuts with minimal distortion on lead, rubber, PVC and polyethylene-sheathed cables
- Blades and handles are replaceable
- Precision-ground, shear-type blades
- Fiberglass handles with non-slip rubber grips

SPECIFICATIONS

Cutting Capacity	2-1/4" (57 mm) Communications Cable (900 pair, 24 AWG)
Length	37" (940 mm)
Weight	7.2 lbs. (3.3 kg)

CAT. NO.	UPC NO.	DESCRIPTION
765	06011	Heavy-Duty Communications Cutter
R 05935	05935	Cutter Blade (765) (2 required)

Hydraulic Cable Bender

800F1725



- One-shot bends up to 90°; automatically unloads cable
- Compact design bends in tight places
- Unit with foot pump keeps both hands free to hold cable

SPECIFICATIONS

Capacity	350 - 1000 kcmil (MCM) (185-500 mm ²), 600 volt 350 - 750 kcmil (MCM) compact cable
Weight	800 - 7 lbs. (3.2 kg), 802 - 26 lbs. (11.8 kg) 800F1725 - 36 lbs. (16.4 kg)

CAT. NO.	UPC NO.	DESCRIPTION
800	23892	Hydraulic Cable Bender only
802	24395	Hydraulic Cable Bender with High Pressure Hose Unit and Storage Box
800F1725	23893	Hydraulic Cable Bender with 1725 Foot Pump, High Pressure Hose Unit and Storage Box
37729	37729	High Pressure Hydraulic Hose 1/4" x 10' (6.4 mm x 3 m)
1725	31353	Hydraulic Foot Pump
23955	23955	Metal Storage Box

CABLE BENDING TOOLS

Ratchet Cable Bender



796

- Simplifies and speeds up cable installation
- 10" (254 mm) ratchet extension is furnished to simplify bending in deep enclosures
- Includes ratchet wrench, L-wrench, ratchet extension, bending shoe assembly and storage box

SPECIFICATIONS

Capacity	Up through 500 kcmil (MCM) (240 mm ²), 600 volt, copper or aluminum cable
Weight	8.2 lbs. (3.7 kg)

CAT. NO.	UPC NO.	DESCRIPTION
796	22590	Ratchet Cable Bender
22578	22578	Ratchet Wrench with Grip
22579	22579	L-Wrench with Grip
22682	22682	10" (254 mm) Ratchet Extension
22934	22934	Bending Shoe
30236	30236	Storage Box

WIRE AND CABLE STRIPPING TOOLS

Universal Cable Stripper

Cutting & Crimping

NEW
PRODUCT



JRF-4

- Large capacity clamp jaw – Wide range, 1/2" - 3" cable outside diameter, enabling productivity when working with a variety of cable sizes
- Tension trigger – 150 lbs of clamping force allows user to securely capture cable for precise blade setting
- Delrin® ball bearing rollers – Reduces the amount of force needed for the tool to move around and up the cable during stripping
- Rollerball actuation – Allows user to maintain constant contact with the clamp as it moves around the cable
- Precision adjustable cutting blades – EPR and XLP design-specific blades allow for ease and efficient cut back

SPECIFICATIONS

Dimensions	9.7" x 6.5" x 3.5" (246 x 165 x 90 mm)
Weight	2.2 (.99 kg)

CAT. NO.	UPC NO.	DESCRIPTION
N JRF-4EPR	02746	Tool Kit, Universal Full - EPR
N JRF-4XLP	02747	Tool Kit, Universal Full - XLP
R JRF-REPR	02748	Blade Replacement Kit - EPR
R JRF-RXLP	02750	Blade Replacement Kit - XLP
R JRF-RPK	02749	Replacement Parts Kit

Delrin® is a registered trademark of E. I. du Pont de Nemours and Company.

Saber™ Cable Stripper Tools

NEW
PRODUCT



GTS-1930

NEW
PRODUCT



GTSD-1930

- Reverse compatible bushing engagement
- Spring-loaded retention pin
- Precision depth stop
- Tension grip lock nut
- Self-contained depth control
- GTSD-1930 - 1/4" quick connect drill used on low torque level

GTS-1930 SPECIFICATIONS

Dimensions	6.75" x 4.5" x 3.5" (171.5 x 114 x 90 mm)
Weight	1.15 lbs (0.52 kg)

GTSD-1930 SPECIFICATIONS

Dimensions	9" x 2.25" x 2.1" (229 x 57 x 53 mm)
Weight	.679 lbs (0.31 kg)

CAT. NO.	UPC NO.	DESCRIPTION
N GTS-1930	02731	Tool Only
N GTSD-1930	04021	Tool Only
N GTS-THHN	02735	Copper Bushing Kit (GTS 1930 THHN CU)
N GTS-THHN-SW	03563	Copper Bushing Kit (SW THHN)
N GTS-THHN-GC	03564	Copper Bushing Kit (GC THHN)
N GTS-THHN-EC	03565	Copper Bushing Kit (EC THHN)
N GTS-XHHW	02736	Copper Bushing Kit (GTS 1930 XHHW CU)
N GTS-XHHW-SW	03566	Copper Bushing Kit (SW XHHW)
N GTS-XHHW-GC	03567	Copper Bushing Kit (GC XHHW)
N GTS-XHHW-EC	03568	Copper Bushing Kit (EC XHHW)
N GTS-THXH	02738	Aluminum Bushing Kit (GTS 1930 TH/XH AL)
N GTS-THXH-SW	03569	Aluminum Bushing Kit (SW THXH)
N GTS-THXH-GC	03570	Aluminum Bushing Kit (GC THXH)
N GTS-THXH-EC	03571	Aluminum Bushing Kit (EC THXH)
N GTS-RH	02739	Bushing Kit (GTS 1930 RH CU)
R GTS-RDS	02733	Depth Stop Replacement Kit
R GTS-CASE	03435	Bushing Kit Case
R GTS-BRK	62854	Blade Replacement Kit

See chart for individual bushings on page 70

BUSHING & CABLE SIZING REFERENCE TABLE

CAT. NO.	UPC NO.	EQUIVALENT	MAX CABLE DIAMETER	JACKET MIL THICKNESS	MAX BUSHING INNER DIAMETER	THHN CU	XHHW CU	THHN/XHHN AL	RHW/RHH USE CU
EF-1	02646	10-27522	0.265	30	0.275	6	6	6	
T-1	03527	10-30030	0.290	45	0.300				
F-1	02647	10-32530	0.315	45	0.325	4	4	4	
R-1	02648	10-32540	0.315	60	0.325				6
E-1	02649	10-35030	0.340	45	0.350	3	3		
EF-2	02650	10-37530	0.365	45	0.375		2	2	
R-2	02651	10-37540	0.365	60	0.375				4
E-2	02652	10-40030	0.390	45	0.400	2			
T-2	03528	10-40075	0.390	95	0.400				
F-2	02653	10-42540	0.415	60	0.425			1	2
R-3	02654	10-45040	0.440	60	0.450	1	1		
EF-3	02655	10-47540	0.465	60	0.475			1/0	
T-3	03529	10-47560	0.465	80	0.475				
T-4	03530	10-50040	0.490	60	0.500	1/0	1/0	2/0	
T-5	03531	10-50060	0.490	80	0.500				1
EF-4	02656	10-52540	0.515	60	0.525	2/0	2/0		
T-6	03532	10-52550	0.515	70	0.525				
R-4	02657	10-52560	0.515	80	0.525				
E-3	02658	10-55040	0.540	60	0.550			3/0	
T-7	03483	10-55060	0.540	80	0.550				1/0
F-3	02660	10-57540	0.565	60	0.575	3/0	3/0		
R-5	02661	10-57560	0.565	80	0.575				2/0
T-8	03484	10-57575	0.565	95	0.575				
E-4	02662	10-60040	0.590	60	0.600			4/0	
R-6	02663	10-60060	0.590	80	0.600				
T-9	03485	10-60075	0.590	95	0.600				
F-4	02664	10-62540	0.615	60	0.625				
T-10	03489	10-62560	0.615	80	0.625				3/0
T-11	03490	10-62575	0.615	95	0.625				
RB-1	03572	10-65040	0.640	60	0.650	4/0	4/0		
R-7	02665	10-65060	0.640	80	0.650				
T-12	03491	10-65075	0.640	95	0.650				
E-5	02666	10-67540	0.665	60	0.675			250	
T-13	03492	10-67560	0.665	80	0.675				
T-14	03495	10-67575	0.665	95	0.675				
F-5	02675	10-70050	0.690	70	0.700	250	250		
T-15	03496	10-70060	0.690	80	0.700				4/0
T-16	03510	10-70075	0.690	95	0.700				
R-8	02676	10-72560	0.715	80	0.725			300	
EF-5	02677	10-75050	0.740	70	0.750	300	300		
T-18	03516	10-75060	0.740	80	0.750				
T-17	03515	10-75075	0.740	95	0.750				
B-1	02678	11-77550	0.765	70	0.775			350	
T-19	03517	11-77560	0.765	80	0.775				
T-20	03518	11-77575	0.765	95	0.775				250
AF-1	02679	11-80050	0.790	70	0.800	350	350	400	
T-21	03529	11-80060	0.790	80	0.800				
R-9	02680	11-80075	0.790	95	0.800				
BF-1	02681	11-82550	0.815	70	0.825				300
A-1	02682	11-85050	0.840	70	0.850	400	400		
T-22	03520	11-85060	0.840	80	0.850				
R-10	02683	11-85075	0.840	95	0.850				
E-6	02684	11-87550	0.865	70	0.875			500	
T-23	03521	11-87560	0.865	80	0.875				
R-11	02685	11-90075	0.890	95	0.900				350
F-6	02686	11-92550	0.915	70	0.925				
T-24	03522	11-92560	0.915	80	0.925				
RB-2	03573	11-95050	0.940	70	0.950	500	500		
E-7	02687	11-97550	0.965	70	0.975				
T-25	03523	11-97560	0.965	80	0.975			600	
T-26	03524	11-97575	0.965	95	0.975				
T-27	03525	11-100060	0.990	80	1.000				500
F-7	02688	11-102560	1.015	80	1.025				
R-12	02689	11-102575	1.015	95	1.025				
E-8	02690	11-105060	1.040	80	1.050	600	600	700	
T-28	03526	11-105075	1.040	95	1.050				
F-8	02693	11-107560	1.065	80	1.075			750	
F-9	02702	11-110060	1.090	80	1.100				
RB-3	03574	11-115060	1.140	80	1.150	750	750		
E-9	02703	11-117560	1.165	80	1.175				

WIRE AND CABLE STRIPPING TOOLS

MC Cable Cutter



0952-01

- Use With AC and MC Cable up to 1"
- Adjustable up to 1" outside diameter
- Cuts in seconds with a few quick turns of the crank and an easy twist of the armor
- Convenient under-handle blade storage holds spare blades
- Quick load clamp system makes repeat cuts fast and easy
- Use with replacement blades Greenlee Cat #1941-1 or #1941-5

SPECIFICATIONS

Dimensions	10.63" x 6.13" x 2.5" (270x156x64mm)
Weight	0.72 lbs (0.33kg)

CAT. NO.	UPC NO.	DESCRIPTION
0952-01	02072	Cutter, Cable MC

Cable Stripping Tool



1903

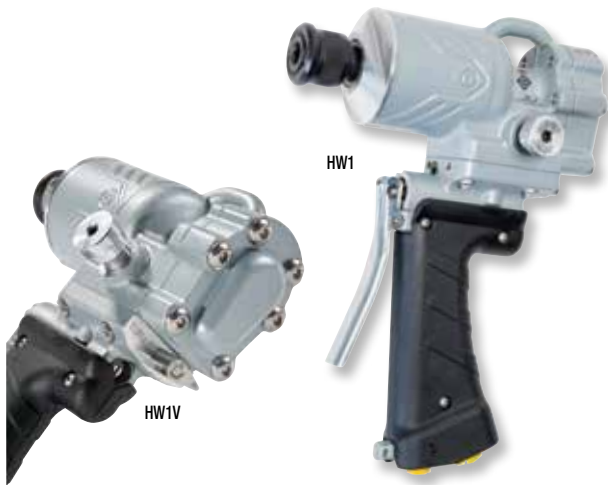
- Triple action stripping – rotary, linear, and spiral – “Window” stripping is accomplished by combining 2 rotary cuts with a spiral cut in between them
- Eliminates Cable Scoring and blade height is adjustable to precisely match insulation thickness
- Interchangeable cable guides for small and large cable diameters
- Hook on the cable guide is used to start jacket removal without the need to use a screwdriver or pliers
- Replacement blade storage pocket in the base of the tool
- Long life, high-carbon steel blade
- Ergonomic handle shape
- Suitable for most jacket materials

SPECIFICATIONS

Capacity	THHN Cable Size Range: 8AWG to 1250 kcmil (10-625 mm ²) Overall Cable Diameter: 0.18" to 1.57" (4.5-40.0 mm) Cable Diameter Using Small Cable Guide Hook: 0.18" to 0.98" (4.5-25.0 mm) Cable Diameter Using Large Cable Guide Hook: 0.79" to 1.57" (20.0-40.0 mm)
Weight	.25 lbs (0.1 g)

CAT. NO.	UPC NO.	DESCRIPTION
1903	12679	Cable Stripping Tool
R 13544	13544	Replacement Blade (2 per package)
R 13545	13545	Replacement Small Hook
R 13546	13546	Replacement Large Hook

Hydraulic Impact Wrenches



- Lifting eye for safe storage
- Forward/ Reverse flow selector
- Cool Grip™ handle*
- 14% lighter* and 20% more torque*
- The perfect mix of performance and ergonomics
- Forward positioned handle for improved balance and reduced fatigue
- Impact and heat-resistant Cool Grip™ handle* dissipates heat

SPECIFICATIONS HW1 & HW1V

Capacity	7/16" Hex
Weight	HW1 – 6.5 lbs. (2.93 kg) HW1V – 6.6 lbs. (2.97 kg)
Maximum Torque	500 ft. - lb. (677 Nm) at 8 gpm (30 lpm)
Minimum Torque	HW1 – 500 ft. - lb. (677 Nm) at 8 gpm (30 lpm) HW1V – 160 ft. - lb. (213 Nm) at 8 gpm (30 lpm)
System	Super Spool Selector Control
Length	8.2" (208 mm)
Width	4.2" (107 mm)
Height	11" (280 mm)
Flow Range	4 - 12 gpm (15 - 45 lpm)
Operating Pressure	1000 - 2500 psi (69 - 170 bar)
Pressure Port Thd.	9/16 - 18 SAE O-Ring
Return Port Thd.	3/4 - 16 SAE O-Ring

* Patented design and other patents pending.
* Compared to previous model.

CAT NO.	UPC NO.	DESCRIPTION
HW1	00373	High torque 1/2" impact wrench with 7/16" hex quick change chuck w/adaptor
HW1V	00372	High torque 1/2" impact wrench with torque adj, 7/16" hex quick change chuck w/adaptor
AD1/2-5/8	00939	Heavy duty 5/8" hex x 1/2" square drive shank
NR1-5/8	00938	Heavy duty 5/8" hex x NR1 Nut Runner
00916	00916	Heavy duty 5/8" hex x NR2 Nut Runner
49782	49782	Heavy duty 7/16" hex x NR1 Nut Runner
21111	21111	Heavy duty 7/16" hex x NR2 Nut Runner
49314	49314	Heavy duty 7/16" hex x 1/2" square drive shank
NR1	45798	Nut Runner with adapter for 5/8", 1/2", 13/16", 1" square nuts
NR2	20920	Nute Runner with adpater for 1", 1-1/8", 1-5/16" square nuts
00376	00376	Trigger guard kit for HW1 or HW1V, HW3
54923	54923	HTMA Male Coupler: HTMA, 3/4-16 SAE O-Ring Exterior Thread
54925	54925	HTMA Female Coupler: HTMA, 9/16-18 SAE O-Ring Exterior Thread
37868	37868	Nail Eater II, 7/16" Hex Extreme Impact Bits - 9/16" Dia, 18" Length
37869	37869	Nail Eater II, 7/16" Hex Extreme Impact Bits - 11/16" Dia, 18" Length
37870	37870	Nail Eater II, 7/16" Hex Extreme Impact Bits - 13/16" Dia, 18" Length
37871	37871	Nail Eater II, 7/16" Hex Extreme Impact Bits - 15/16" Dia, 18" Length
66TF-9/16	02004	Nail Eater Extreme, 7/16 Hex Black Teflon Coated Impact Bits - 9/16" Dia, 18" Length
66TF-11/16	02005	Nail Eater Extreme, 7/16 Hex Black Teflon Coated Impact Bits - 11/16" Dia, 18" Length
66TF-13/16	02006	Nail Eater Extreme, 7/16 Hex Black Teflon Coated Impact Bits - 13/16" Dia, 18" Length
66TF-15/16	02007	Nail Eater Extreme, 7/16 Hex Black Teflon Coated Impact Bits - 15/16" Dia, 18" Length
135245	40887	Hose Assembly, 3/8" X 8' Orange - 3/8" NPTF male fittings
135247	40888	Hose Assembly, 3/8" X 10' Orange - 3/8" NPTF male fittings
25746	25746	Hose Assembly- 3/8 X 8' Orange - 3/8" NPTF male swivel fittings
31369	31369	Hose Assembly- 3/8 X 8' Orange - 9/16"-18 SAE O-ring swivel / 3/4"-16 SAE O-ring swivel

HW3



HW3

* Patented design and other patents pending.

- Forward positioned handle for improved balance and reduced fatigue
- Impact and heat-resistant Cool Grip™ handle* dissipates heat
- Large onboard lifting eye for easy and secure storage
- Industry-leading weight to torque ratio
- Quickly change between forward and reverse motions with directional control selector
- Adjustable torque settings with variable flow knob

SPECIFICATIONS

Capacity	3/4" square
System	Super Spool Selector Control
Weight	10.5 lbs. (4.75 kg)
Length	9.3" (236 mm)
Width	4.2" (107 mm)
Height	11.8" (300 mm)
Flow Range	4 - 12 gpm (15 - 45 lpm)
Operating Pressure	1000 - 2000 psi (69 - 140 bar)
Torque	1283 ft. - lb. (1742 Nm) at 10 gpm (37.8 lpm)
Pressure Port Thd.	9/16 - 18 SAE O-Ring
Return Port Thd.	3/4 - 16 SAE O-Ring
RPM Range	2800 rpm at 8 gpm (30 lpm) (no load)

CAT. NO.	UPC NO.	DESCRIPTION
CE HW3	00990	High torque 3/4" impact wrench with 3/4" square drive with auxiliary handle
A 54923	54923	HTMA Male Coupler
A 54925	54925	HTMA Female Coupler

Nut Runners



NR1

- Deep well accepts up to 6" (152 mm) excess bolt length
- 7/16" hex quick-change adapter included
- Slim profile for easy use and storage

CAT. NO.	UPC NO.	DESCRIPTION
NR1	45798	NR1 Nut Runner with Adapter
NR2	20920	NR2 Nut Runner with Adapter
R 49782	49782	Adapter for NR1 Nut Runner
R 21111	21111	Adapter for NR2 Nut Runner

SPECIFICATIONS

	NR1	NR2
Length w/o adapter	7-3/4" (197 mm)	8-5/8" (219 mm)
Length with adapter	9-1/2" (241 mm)	11" (279 mm)
Diameter	1-3/4" dia. (45 mm dia.)	2-3/8" dia. (60 mm dia.)
Weight with adapter	1.5 lb. (0.7 kg)	3.25 lb. (1.5 kg)
Nut Sizes	1", 13/16", 3/4", 5/8"	1-1/2", 1-5/16", 1-1/8"

Auger Bits



66TF-9/16

- Teflon® coating resists heat and friction for fast and smooth operation
- Patented cutting edge cuts nails and staples so the bits last longer over time
- Over center flute design evacuates chips faster; no clogging or chip flyback
- Less power required to drill holes – extending battery life by up to 30%
- Made in the USA

SPECIFICATIONS

66TF-9/16	18" X 1.5" X 1.5" (47.52 cm X 3.81 cm X 3.81 cm)
66TF-11/16	18" X 1.5" X 1.5" (47.52 cm X 3.81 cm X 3.81 cm)
66TF-13/16	Impact Auger Bit, TF-13/16" X 18" (Pop)
66TF-15/16	Impact Auger Bit, TF-15/16" X 18" (Pop)

CAT. NO.	UPC NO.	DESCRIPTION
66TF-9/16	02004	Impact Auger Bit, TF-9/16" X 18" (Pop)
66TF-11/16	02005	Impact Auger Bit, TF-11/16" X 18" (Pop)
66TF-13/16	02006	Impact Auger Bit, TF-13/16" X 18" (Pop)
66TF-15/16	02007	Impact Auger Bit, TF-15/16" X 18" (Pop)

Teflon® is a registered trademark of E. I. du Pont de Nemours and Company.

HID6506 Rotary Impact Hammer Drill



HID6506

- New SDS-impact mechanism for larger holes
- +16% In Concrete* and +11% In Wood*
- Hammer / Drill mode selector
- Variable flow control
- Lifting eye for safe storage
- Forward/ Reverse flow selector
- 14% Lighter*
- 20% More Torque*
- The perfect mix of performance and ergonomics
- Forward positioned handle for improved balance and reduced fatigue
- Impact and heat-resistant Cool Grip™ handle+ dissipates heat

SPECIFICATIONS

Capacity	Concrete - 7/8" (22 mm) hole Steel - 1/2" (13 mm) hole Wood - 1-1/8" (30 mm) hole Core Bit - 2-5/8" (68 mm)
System	Super Spool Selector Control
Chuck	SDS Plus bit shanks
Weight	9 lbs. (4.1 kg)
Length	11.2" (285 mm)
Width	3.5" (89 mm)
Height	11" (280 mm)
Flow Range	4 - 12 gpm (15 - 45 lpm)
Operating Pressure	1000 - 2000 psi (69 - 140 bar)
Pressure Port Thd.	3/4 - 16 SAE O-Ring
Return Port Thd.	3/4 - 16 SAE O-Ring
RPM Range	900 - 1050 rpm at 6 gpm (22.7 lpm)
Blows Per Minute	5400 at 6 gpm (22.7 lpm)

CAT. NO.	UPC NO.	DESCRIPTION
HID6506	42309	SDS Plus Rotary Impact Hammer Drill
AD1/2-5/8	00939	Heavy duty 5/8" hex x 1/2" square drive shank
NR1-5/8	00938	Heavy duty 5/8" hex x NR1 Nut Runner
00916	00916	Heavy duty 5/8" hex x NR2 Nut Runner
49782	49782	Heavy duty 7/16" hex x NR1 Nut Runner
21111	21111	Heavy duty 7/16" hex x NR2 Nut Runner
49314	49314	Heavy duty 7/16" hex x 1/2" square drive shank
NR1	45798	Nut Runner with adapter for 5/8", 1/2", 13/16", 1" square nuts
NR2	20920	Nut Runner with adapter for 1", 1-1/8", 1-5/16" square nuts
54923	54923	HTMA Male Coupler: HTMA, 3/4-16 SAE O-Ring Exterior Thread
54925	54925	HTMA Female Coupler: HTMA, 9/16-18 SAE O-Ring Exterior Thread

* Patented design and other patents pending.

* Compared to previous model.

Reversible Drill



H6400C

- Compact, lightweight – ideal for line construction applications
- Super Spool™ selector control for use on Open- and Closed-Center hydraulic systems
- Rugged gear motor
- Reversible

SPECIFICATIONS

Capacity	Steel - 1/2" (13 mm) hole Wood - 1-1/6" (27 mm) hole
System	Super Spool™ selector control for use on Open- and Closed-Center hydraulic systems
Chuck	1/2" (13 mm) key-type
Weight	6 lbs. (2.7 kg)
Length	7.5" (190 mm)
Width	3" (76 mm)
Height	9" (229 mm)
Flow Range	4 - 8 gpm (15 - 30 lpm)
Operating Pressure	1,000 - 2,000 psi (69 - 140 bar)
Pressure Port Thd.	9/16 - 18 SAE O-Ring
Return Port Thd.	3/4 - 16 SAE O-Ring
RPM	1,300 rpm at 6 gpm (23 lpm)

CAT. NO.	UPC NO.	DESCRIPTION
H6400C	42260	Drill - 1/2" (13 mm) key-type chuck
54923	54923	HTMA Male Coupler
54924	54924	HTMA Female Coupler

N = NEW PRODUCT **R** = REPLACEMENT PART **A** = ACCESSORY **B** = BARE TOOL



NOTES

Impact Wrenches

SAWS AND PRUNERS

Pistol-Grip Chain Saws



HPS513

(Product shown with HTMA coupler accessories attached)

- Lightweight – ideal for cutting back or trimming from aerial basket
- Chain and bar can be adjusted without removing sprocket cover
- Sprocket cover can be removed without tools for easy saw cleaning
- Handle position can be oriented to horizontal, or to 60° or 30° relative to bar and chain to user preference (except on model with chain brake)
- Rugged gear motor and expanded chip exit area
- Automatic chain oiler can be adjusted without tools
- Safety features include: two-step trigger, high impact polymer front handle/shroud, wide lower handle protects hands/knuckles, chain catcher stops chain rotation
- Reduced kickback bar and chain
- Supplied with 12" (305 mm) steel braided whip hoses (couplers not included)
- Chain brake model meets requirements of ISO6535

SPECIFICATIONS

Cutting Capacity System	13" (330 mm) Super Spool™ selector control for use on Open- and Closed-Center hydraulic systems
Weight	8.5 lb. (3.9 kg) saw with bar and chain
Length	26.5" (673 mm)
Width	10" (254 mm)
Flow Range	4 - 8 gpm (15 - 30 lpm)
Operating Pressure	1,000 - 2,000 psi (69 - 140 bar)
Pressure Port Thread	9/16 - 18 SAE O-Ring
Return Port Thread	3/4 - 16 SAE O-Ring
Chain Size	.325" (8.3 mm) pitch
Bar Gauge	.058" (1.47 mm)

CAT. NO.	UPC NO.	DESCRIPTION
HPS513	49565	Pistol-Grip Chain Saw
HPS513CB	45826	Pistol-Grip Chain Saw with Chain Brake
A 54923	54923	HTMA Male Coupler
A 54924	54924	HTMA Female Coupler

Standard Chain Saws



HCS816

(Product shown with HTMA coupler accessories attached)

- Ideal for large trimming applications and cut-up removal jobs
- Chain and bar can be adjusted without removing sprocket cover
- Sprocket cover can be removed without tools for easy saw cleaning
- Handle position can be oriented to horizontal, or to 60° or 30° relative to bar and chain to user preference (except on model with chain brake)
- Rugged gear motor and expanded chip exit area
- Automatic chain oiler can be adjusted without tools
- Safety features include: two-step safety trigger, high impact polymer front handle/shroud, wide lower handle protects hands/knuckles, chain catcher stops chain rotation
- Reduced kickback bar and chain
- Supplied with 12" (305 mm) steel braided whip hoses (couplers not included)
- Chain brake models meet requirements of ISO 6535

SPECIFICATIONS

System	Super Spool™ selector control for use on Open- and Closed-Center hydraulic systems
Width	10" (254 mm)
Flow Range	4 - 8 gpm (15 - 30 lpm)
Operating Pressure	1,000 - 2,000 psi (69 - 140 bar)
Pressure Port Thread	9/16 - 18 SAE O-Ring
Return Port Thread	3/4 - 16 SAE O-Ring
Chain Size	3/8" (9.52 mm) pitch
Bar Gauge	.050" (12.7 mm)

CAT. NO.	UPC NO.	DESCRIPTION	CUTTING CAPACITY	WEIGHT	LENGTH
HCS816	49566	Chain Saw	16" (406 mm)	9.5 lb. (4.3 kg)	31.5" (800 mm)
HCS820	49603	Chain Saw	20" (508 mm)	10.2 lb. (4.6 kg)	35.5" (902 mm)
HCS8160CB	45653	Chain Saw with Chain Brake	16" (406 mm)	9.5 lb. (4.3 kg)	31.5" (800 mm)
A 54923	54923	HTMA Male Coupler			
A 54924	54924	HTMA Female Coupler			

Long-Reach Chain Saws



- Cuts hard-to-reach branches from aerial basket or from the ground
- Super Spool™ selector control for use on Open- and Closed-Center hydraulic systems
- Available in three lengths
- Insulated fiberglass extension tubes, tested to meet OSHA Regulation 1910.269
- Safety features include: two-step trigger, trigger guard, and fully covered sprocket guard
- Anti-kickback chain and automatic chain oiler
- Rugged high torque gear motor
- Unfilled and foam-filled extension tube versions offered

SPECIFICATIONS

Cutting Capacity System	13" (330 mm) Super Spool™ selector control for use on Open- and Closed-Center hydraulic systems
Extension Type	Fiberglass – tested to 100 KvA for 5 minutes
Width	4" (102 mm)
Flow Range	5 - 8 gpm (19 - 30 lpm)
Operating Pressure	1,000 - 2,000 psi (69 - 140 bar)
Pressure Port Thread	9/16 - 18 SAE O-Ring
Return Port Thread	3/4 - 16 SAE O-Ring
Chain Size	.325" (8.3 mm) pitch
Bar Gauge	.058" (1.47 mm)

CAT. NO.	UPC NO.	DESCRIPTION	LENGTH	WEIGHT
43178	43178	Long Reach Chain Saw	62.5" (1.6 m)	8-1/2 lb. (3.9 kg)
38568	38568	Long Reach Chain Saw	75" (1.9 m)	9-1/4 lb. (4.2 kg)
43177	43177	Long Reach Chain Saw	88.5" (2.2 m)	9-3/4 lb. (4.4 kg)
LRF75	17140	Foam Filled Long Reach Chain Saw	75" (1.6 m)	9-1/2 lb. (4.4 kg)
LRF88	17142	Foam Filled Long Reach Chain Saw	88.5" (2.2 m)	10-1/4 lb. (4.7 kg)
A 54923	54923	HTMA Male Coupler		
A 54924	54924	HTMA Female Coupler		

Chain Saw Accessories

Accessories			Long Reach Chain Saws					
Cat. No.	UPC No.	Description	43178	LRF75 38568	LRF88 43177	HPS513 HPS513CB	HCS816 HCS8160CB	HCS820
170074	43369	13" bar, .058 gauge	◆	◆	◆	◆		
F030030	43370	13" chain, .325 pitch	◆	◆	◆	◆		
55141	55141	16" bar, .050 gauge					◆	○
F022544	41960	16" chain, 3/8 pitch					◆	○
55185	55185	20" bar, .050 gauge					○	◆
55191	55191	20" chain, 3/8 pitch					○	◆
55101	55101	.325" rim sprocket	◆	◆	◆	◆		
55103	55103	3/8" rim sprocket					◆	◆

- ◆ - Standard item shipped with product
○ - Optional accessory or replacement (must use matching bar and chain)

Overhead Circular Saw



43180

*** CAUTION**

Not to be used for ground level operation.

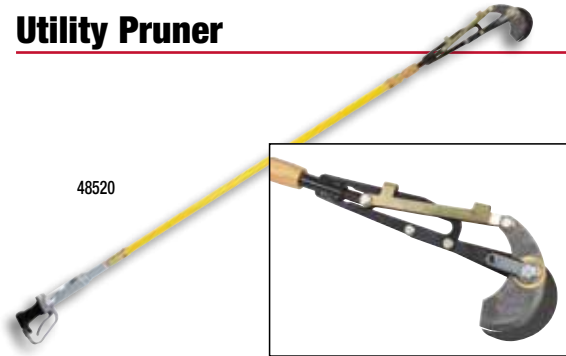
- Use for high production utility line clearing and general tree clearing applications*
- Super Spool™ selector control for Open- and Closed-Center hydraulic systems
- Safety features include: hand stop collar, trigger guard, two-step trigger and branch stop
- Insulated fiberglass extension tube, tested to meet OSHA regulation 1910.269
- Rugged gear motor
- Angular head design makes flush cuts easier and directs chips away from the operator
- 9" (229 mm) diameter blade standard

SPECIFICATIONS

Cutting Capacity System	3.5" (89 mm) Super Spool™ selector control for use on Open- and Closed-Center hydraulic systems
Blade Diameter	9" (229 mm)
Extension Type	Fiberglass – tested to 100 KvA for 5 minutes
Weight	9 lb. (4.1 kg)
Overall Length	82" (2.1 m)
Flow Range	4 - 6 gpm (15 - 23 lpm)
Operating Pressure	1,000 - 2,000 psi (69 - 140 bar)
Pressure Port Thread	9/16 - 18 SAE O-Ring
Return Port Thread	3/4 - 16 SAE O-Ring
RPM	5,250 rpm at 6 gpm (23 lpm)

CAT. NO.	UPC NO.	DESCRIPTION
* 43180	43180	Overhead Circular Saw
A 54923	54923	HTMA Male Coupler
A 54924	54924	HTMA Female Coupler
R L088009	42853	9" blade
A 156586	43973	9" chain blade

Utility Pruner



48520

- Use on utility line clearing and selective pruning of shade trees
- Heavy cut capacity cuts branches up to 2" (50 mm)
- Trigger guard
- Insulated fiberglass extension tubes, tested to meet OSHA Regulation 1910.269
- Heat-insulated handle
- Full power return

SPECIFICATIONS

Cutting Capacity System	2" (50 mm) Open-Center
Extension Type	Fiberglass – tested to 100 KvA for 5 minutes
Weight	10.6 lbs. (4.8 kg)
Overall Length	86" (2,159 mm)
Width	6-1/4" (158 mm)
Flow Range	4 - 6 gpm (15 - 23 lpm)
Operating Pressure	1,000 - 2,000 psi (69 - 140 bar)
Pressure Port Thd.	9/16 - 18 SAE O-Ring
Return Port Thd.	3/4 - 16 SAE O-Ring

CAT. NO.	UPC NO.	DESCRIPTION
48520	48520	Utility Pruner, Open-Center
A 54923	54923	HTMA Male Coupler
A 54924	54924	HTMA Female Coupler
A 11660	11660	Conversion Kit for Closed-Center hydraulic system

Orchard and Shade Tree Pruner



LHFS-210003

*** CAUTION**

Not to be used near high voltage lines.

- Heavy-duty large capacity pruner for all agricultural work
- 360° swiveling extension
- Heat barrier grip and full trigger guard
- Lightweight

SPECIFICATIONS

Cutting Capacity System	1-3/4" (44 mm) Open-Center; Extension Type: Aluminum*
Weight	7.7 lb. (3.5 kg)
Overall Length	60" (1.5 m)
Width	6" (152 mm)
Flow Range	4 - 6 gpm (15 - 23 lpm)
Operating Pressure	1,000 - 2,000 psi (69 - 140 bar)
Pressure Port Thd.	3/8" NPTF
Return Port Thd.	3/8" NPTF

CAT. NO.	UPC NO.	DESCRIPTION
* LHFS-210003	42909	Pruner – 60" (1.5 m) overall length
A F013455	41419	Nipple 3/8" x 1/2" NPTF Thread (Qty. 2)
A F020196K	41778	HTMA Female Coupler 1/2" NPTF
A F020197K	41779	HTMA Male Coupler 1/2" NPTF
A L043175	42358	Conversion kit for closed-center hydraulic system

BREAKERS AND ACCESSORIES

Rock Drill



HRD44A

- On-board air compressor provides air to clean dust out of holes with guard
- Drill rotation speed is adjustable from 0 to 400 rpm with a 4-position dial. Tool can be operated without rotation
- Has vibration isolated and cushioned handles to reduce operator fatigue
- Simple design provides excellent durability and simple repair
- Drills a 2-1/2" (65 mm) diameter hole up to 10 feet (3 m) deep
- Supplied with 12" (305 mm) steel braided whip hoses

CAT. NO.	UPC NO.	DESCRIPTION
HRD44A	11104	Hydraulic Rock Drill
A F020198K	41780	HTMA Male Coupler 3/8" NPTF
A F020195K	41777	HTMA Female Coupler 3/8" NPTF

SPECIFICATIONS

Hydraulic System	Open-Center
Weight	44 lbs. (20 kg)
Length	25" (626 mm)
Width	16" (412 mm)
Whip Hoses	3/8" NPTF x 12" (305 mm)
Chuck Size	7/8 x 4-1/4" (22 x 108 mm)
Hydraulic Flow	5 - 7 gpm (19 - 25 lpm)
Operating Pressure	1,275 - 1,700 psi (88 - 118 bar)
Maximum Pressure	3,000 psi (207 bar)
Blows Per Minute	1,400 maximum (varies with rotation speed)
Drill Rotation Speed	0 - 400 rpm
Air Flow	2.8 cu. ft/min (80 lpm)
Air Pressure	29 psi (2 bar)

Breaker – 25 lb. (11.5 kg)



HPB25

- "D" handle and an assist handle for both vertical and horizontal operation
- Simple construction with few parts provides easy maintenance and excellent durability
- Supplied with 12" (305 mm) steel braided whip hoses
- Hydraulic cushioning of the ram return stroke helps to reduce operator fatigue
- Lever style latch for quick tool changes

CAT. NO.	UPC NO.	DESCRIPTION
HPB25	45937	Paving Breaker – 25 lb.
A F020198K	41780	HTMA Male Coupler 3/8" NPTF
A F020195K	41777	HTMA Female Coupler 3/8" NPTF

SPECIFICATIONS

System	Open-Center
Weight	25 lbs. (11.5 kg)
Length	22" (566 mm)
Width	6" (154 mm)
Chuck Size	7/8" x 3-1/4"
Whip Hoses	3/8" NPTF x 12" (305 mm)
Hydraulic Flow	5 - 7 gpm (19 - 25 lpm)
Operating Pressure	1,280-1,850 psi (88 - 127 bar)
Maximum Pressure	3,000 psi (207 bar)
Blows Per Minute	1,800 at 7 gpm (25 lpm)

Breaker – 35 lb. (16 kg)



HPB35

- Vibration isolated and cushioned handles to reduce operator fatigue
- Simple construction with few parts provides easy maintenance and excellent durability
- Supplied with 12" (305 mm) steel braided whip hoses
- Hydraulic cushioning of the ram return stroke helps to reduce operator fatigue
- Lever style latch for quick tool changes

CAT. NO.	UPC NO.	DESCRIPTION
HPB35	45938	Paving Breaker – 35 lb.
A F020198K	41780	HTMA Male Coupler 3/8" NPTF
A F020195K	41777	HTMA Female Coupler 3/8" NPTF

SPECIFICATIONS

System	Open-Center
Weight	35 lbs. (16 kg)
Length	24" (604 mm)
Width	16" (412 mm)
Chuck Size	1" x 4-1/4"
Whip Hoses	3/8" NPTF x 12" (305 mm)
Hydraulic Flow	5 - 8 gpm (19 - 30 lpm)
Operating Pressure	1,140 - 1,700 psi (78 - 118 bar)
Maximum Pressure	3,000 psi (207 bar)
Blows Per Minute	2,000 at 7 gpm (25 lpm)

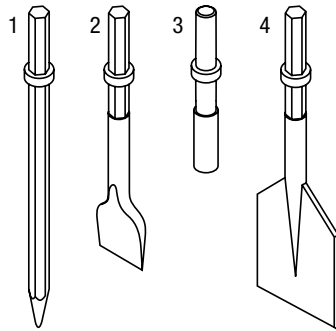
Breaker – 45 lb. (20.4 kg) and 55 lb. (25.2 kg)



HPB45

- Great for breaking sidewalks and curbs or driving ground rod, and for other small demolition jobs
- Clean modular design with few protrusions to irritate operators' legs
- High blow energy provides maximum breaking power
- Integral rubber damper reduces chisel noise
- AVS tools have patented spring-dampened handles that reduce vibration transmitted to the operator by 80%-90%
- Two-step trigger
- Supplied with 12" (305 mm) steel braided whip hoses

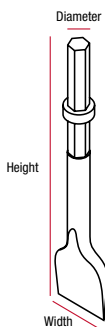
CAT. NO.	UPC NO.	DESCRIPTION
HPB45-1AVS	02197	Breaker – 1-1/8 x 6" tool shank size, cushioned/spring-dampened handles
HPB45-2AVS	02198	Breaker – 1 x 4-1/4" tool shank size, cushioned/spring-dampened handles
HPB55-1AVS	02201	Breaker – 1-1/8 x 6" tool shank size, cushioned/spring-dampened handles
A F020196K	41778	HTMA Female Coupler - 1/2" NPTF internal thread
A F020197K	41779	HTMA Male Coupler - 1/2" NPTF internal thread



SPECIFICATIONS	HPB45-1AVS 45 LB. (20.4 KG)	HPB45-2AVS 45 LB. (20.4 KG)	HPB55-1AVS 55 LB. (25.2 KG)
Weight	54 lb (24.5 kg)	47 lb (21.3 kg)	56 lb (25.6 kg)
Vibration Level	11.4 m/s ² / 5.3 m/s ²	11.4 m/s ² / 5.3 m/s ²	9.0 m/s ²
Sound Power Level	LWA=110 dB	LWA=109 dB	LWA=112 dB
Blow Energy	63 ft-lb (85 Joules)		81 ft-lb (110 Joules)
Blow Frequency	2160/min		1860/min
Oil Flow	5-8 gpm (19-30 lpm)		
Length	28.5" (731 mm)	26.5" (682 mm)	30" (760 mm)
Hydraulic System	Open-Center		
Operating Pressure	1500-1800 PSI (105-125 bar)		
Maximum Pressure	2300 PSI (160 bar)		
Pressure & Return Ports	1/2" BSP		
Whip Hoses	1/2" NPTF x 12" (305 mm)		

Breaker Tools

1. Moil Point
2. Chisel Bit - 3"
3. Rod Driver Adapter
4. Asphalt Cutter - 5"



CAT. NO.	UPC NO.	DESCRIPTION	USE WITH BREAKERS				
			25 lb. (11.5 kg)	35 lb. (16 kg)	45 lb. (20.4 kg)	55 lb. (25.2 kg)	
			HPB25	HPB35	HPB45-1AVS	HPB45-2AVS	HPB55-1AVS
F016769	41610	Moil Point – 7/8" x 3-1/4" (22 mm x 83 mm)	○				
F016770K	41611	Chisel, 3" (76 mm) – 7/8" x 3-1/4" (22 mm x 83 mm)	○				
113509	40349	Threadless Ground Rod Adapter, 1" (25 mm) 7/8" x 3-1/4" (22 mm x 83 mm)	○				
137449	41070	Threadless Ground Rod Adapter, 5/8" (16 mm) 7/8" x 3-1/4" (22 mm x 83 mm)	○				
49138	49138	Moil Point – 1" x 4-1/4" (25 mm x 108 mm)		○		○	
46219	46219	Chisel, 3" (76 mm) – 1" x 4-1/4" (25 mm x 108 mm)		○		○	
46221	46221	Asphalt Cutter, 5" (127 mm) – 1" x 4-1/4" (25 mm x 108 mm)		○		○	
46222	46222	Threadless Ground Rod Adapter, 5/8" (16 mm) 1" x 4-1/4" (25 mm x 108 mm)		○		○	
46223	46223	Threadless Ground Rod Adapter, 1" (25 mm) 1" x 4-1/4" (25 mm x 108 mm)		○		○	
F018451	41706	Moil Point – 1-1/8" x 6" (29 mm x 152 mm)			○		○
F018452	41707	Chisel – 1-1/8" x 6" x 3" (29 mm x 152 mm x 76 mm)			○		○
F018453	41708	Asphalt Cutter, 5" (127 mm) – 1-1/8" x 6" (29 mm x 152 mm)			○		○

- ◆ - Standard item shipped with product
- - Optional accessory or replacement (must use matching bar and chain)

DRIVERS, TAMPERS AND PULLERS

HPD Series Sign Post Driver



- Can drive a variety of post sizes from small delineator posts up to 3-1/2" round posts including square, "U" channel, breakaway stubs, round, "T" fence, and wood
- Quick change front head design accommodates adapters for different types of posts
- Dual guide handles for good directional control
- A deep post opening and smooth operation ensures that the driver will not jump off of posts
- Available with integral trigger or remote on/off valve
- U.S. Patent #6,626,247

SPECIFICATIONS

Hydraulic System	Open- and Closed-Center
Weight w/UA Adapter and Hoses	75 lbs (34.0 kg)
Length	32" (813 mm)
Flow Range	5-8 gpm (19-30 lpm)
Blow Energy	81 ft-lb (110 Joules)
Blows/min @ 8 gpm (30 lpm)	1500
Maximum Input Pressure	2300 psi (160 bar)
On/Off Hose Connection Sizes (HPD-T)	
Pressure Hose	1/2" NPTF
Return Hose	1/2" NPTF
Valve Connection Port Sizes (HPD-HV)	
On/Off Valve Pressure Port	9/16-18 SAE O-Ring Boss
On/Off Valve Return Port	3/4-16 SAE O-Ring Boss

CAT. NO.	UPC NO.	DESCRIPTION
HPD-T-U	11183	Sign post driver w/integral trigger w/universal post adapter
HPD-HV-U	11186	Sign post driver w/remote on/off valve w/universal post adapter
A UA	49532	Universal post adapter
A RA96	49533	3.8" (96 mm) round post adapter
A SA54	49534	2-1/8" square post adapter
HPD-T-U:		
A F020196K	41778	HTMA Female Coupler - 1/2" NPTF internal thread
A F020197K	41779	HTMA Male Coupler - 1/2" NPTF internal thread
R 1803065	10913	12" (305 mm) Hose Assembly
HPD-HV-U:		
A 54923	54923	HTMA Female Coupler
A 54924	54924	HTMA Male Coupler
R 1803066	02871	15" (381 mm) Hose Assembly
R 111952	40290	Remote Valve



UA



SA54



RA96

HRD Ground Rod Driver



- A deep rod opening and smooth operation ensures that the driver will not jump off of rods
- Light weight allows easy mounting on top of rods
- Can be used with Open- and Closed-Center hydraulic systems
- Dual guide rods provide excellent control for driving rods straight, and the remote on/off valve makes it easy to control the depth of the rod

SPECIFICATIONS

Hydraulic System	Open- and Closed-Center
Weight	
Power Unit only	45 lbs (20.5 kg)
with Hoses and Control Valve (Included)	53 lbs (24.0 kg)
Length	25-1/2" (654 mm)
Flow Range	5-8 gpm (19-30 lpm)
Blow Energy	63 ft.-lb. (85 joules)
Blows Frequency	1740/min. at 8 gpm (30 lpm)
Maximum Input Pressure	2000 psi (138 bar)
Hose Length	70" (178 cm)
On/Off Valve Pressure Ports	9/16 - 18 SAE O-Ring
On/Off Valve Return Ports	3/4 - 16 SAE O-Ring

CAT. NO.	UPC NO.	DESCRIPTION
HRD-58	11192	Ground Rod Driver 5/8" (16 mm) opening
HRD-1	11193	Ground Rod Driver 1" (25 mm) opening
A 54923	54923	HTMA Male Coupler
A 54924	54924	HTMA Female Coupler
R 02872	02872	70" Hose Assembly
R 111952	40290	Remote Valve

Pole Tampers

H4802-5



Pole Tamper with Valve

- Makes quick work of setting poles, asphalt patch, and general construction backfill compacting
- Only three moving parts for low maintenance
- Kidney-shaped foot included
- **Hose End Valve** - Reversible on/off valve for Open- and Closed-Center hydraulic systems
- **Valve on Tube** - Rotate trigger spool for Open- and Closed-Center hydraulic systems

CAT. NO.	UPC NO.	DESCRIPTION
H4802	42198	60" Pole Tamper, Hose End Valve
H4802-6	42202	60" Pole Tamper, Hose End Valve (unit does not include on/off valve)
H4802-1	42199	85" Pole Tamper, Hose End Valve
H4802-5	42201	60" Pole Tamper, Valve on Tube
H4802-3	42200	72" Pole Tamper, Valve on Tube
A 111964K	40301	Kidney-Shaped Foot
A 54923	54923	HTMA Male Coupler
A 54924	54924	HTMA Female Coupler
A 56295	56295	56" Abrasion Resistant Hose Set w/nylon sleeve and tool end strain reliefs
R 56296	56296	56" Hose Set for Remote Valve Tampers w/tool end strain reliefs
R 111952	40290	Remote Valve

SPECIFICATIONS	H4802	H4802-6	H4802-1	H4802-5	H4802-3
Valve Location		Hose End		On Tube	
Length	60" (1.5 m)	60" (1.5 m)	85" (2.2 m)	60" (1.5 m)	72" (1.8 m)
Weight	23 lb. (10.4 kg)	23 lb. (10.4 kg)	28 lb. (12.7 kg)	22 lb. (9.8 kg)	23 lb. (10.4 kg)
System		Open- and Closed-Center			
Width		4" (102 mm)			
Flow Range		4 - 6 gpm (15 - 23 lpm)			
Operating Pressure		1,000 - 2,000 psi (69 - 138 bar)			
Pressure Port Thread		9/16 - 18 SAE O-Ring			
Return Port Thread		3/4 - 16 SAE O-Ring			
Standard Foot Size		2.5 x 8" (63 x 203 mm) kidney-shaped			
Blows Frequency		1,160/min. at 5 gpm (19 lpm)			

Sign Post Puller



H4905A

- Uses serrated jaws or wraparound, high-strength alloy chain
- Able to pull most any post size and shape
- Faster and easier than conventional manual methods
- Includes pulling chain

SPECIFICATIONS

System	Open-Center
Lift Capacity	9,800 lb. (4,445 kg)
Stroke	5" (127 mm)
Chain	9/32" (7.1 mm) alloy
Weight	70 lb. (31.8 kg)
Length	10.5" (267 mm)
Width	10" (254 mm)
Height	26" (660 mm) retracted
Flow Range	4 - 6 gpm (15 - 23 lpm)
Operating Pressure	1,000 - 2,000 psi (69 - 138 bar)
Maximum Pressure	2,000 psi (138 bar)
Pressure Port Thread	9/16 - 18 SAE O-Ring
Return Port Thread	3/4 - 16 SAE O-Ring

CAT. NO.	UPC NO.	DESCRIPTION
H4905A	42237	Sign Post Puller
A 54923	54923	HTMA Male Coupler
A 54924	54924	HTMA Female Coupler
R 42014	42014	High-Strength Alloy Chain

Pole Puller



H4910A

- Works in confined areas, next to buildings, or out in the open
- Proof-certified 6' (1.8 m) alloy chains included

SPECIFICATIONS

System	Open- and Closed-Center
Lift Capacity	56,000 lb. (25,401 kg) at 2,000 psi (138 bar)
Stroke	16.8" (427 mm)
Chains	5/8" (16 mm) proof-certified alloy
Weight	
Cylinder Only	101 lb. (45.8 kg)
With Base and Chain	178 lb. (80.7 kg)
Height	32" (81.3 cm) retracted
Width	15" (381 mm) with base
Flow Range	4 - 15 gpm (15 - 56 lpm)
Operating Pressure	300 - 2,800 psi (20 - 193 bar)
Pressure Port Thread	1/2" NPTF
Return Port Thread	1/2" NPTF

CAT. NO.	UPC NO.	DESCRIPTION
H4910A	42239	Pole Puller – with 6' (1.8 m) proof-certified alloy chains
A F011243	41351	Nipple 1/2" x 1/2" Male NPTF thread (tool requires two for operation)
A F020196K	41778	HTMA Female Coupler - 1/2" NPTF internal thread
A F020197K	41779	HTMA Male Coupler - 1/2" NPTF internal thread
A 111185	40284	Hose Assembly – 25' (7.62 m) – Includes two wire braid hoses with 1/2" NPTF male fitting both ends
A 49913*	49913*	Control Valve - Open Center
R 125033K	40517	Lower Alloy Chain - Proof Certified
R 111162K	40282	Upper Alloy Chain - Proof Certified

* Required if power source does not have 4-way valve

SUBMERSIBLE PUMPS

2" (51 mm) Compact Submersible Water Pump



- Self-priming, compact, lightweight design with carrying handle
- High impact strainer housing
- Up to 275 gpm (1,041 lpm)
- Can draw water down to depth of 1-3/4" (45 mm)
- Can run dry without damage

SPECIFICATIONS

System	Open- and Closed-Center
Capacity	Up to 275 gpm (1,041 lpm) [at 7 gpm (27 lpm) and a 10' (3 m) head height]
Intake Port	1-15/16" (49 mm)
Discharge Port	2" (44 mm) NPT Female
Strainer	2-5/8 x 5-58" (67 x 143 mm) – 3/8" (9.5 mm) openings
Weight	9 lb. (4.0 kg)
Height	12.5" (318 mm) over handle
Width	7.5" (190 mm) diameter
Flow Range	5 - 8 gpm (19 - 30 lpm)
Operating Pressure	0 - 2,000 psi (0 - 138 bar)
Pressure Port Thread	9/16 - 18 SAE O-Ring
Return Port Thread	3/4 - 16 SAE O-Ring

CAT. NO.	UPC NO.	DESCRIPTION
€ H4665A	42191	Compact Submersible Pump
▲ F024772	42104	2" Cam Lock Coupling for Discharge Hose
▲ 156340	41220	2" Diameter x 25' Discharge Hose Assembly
▲ 54923	54923	HTMA Male Coupler
▲ 54924	54924	HTMA Female Coupler

2-1/2" (64 mm) Submersible Water Pump



- High impact strainer housing with carrying handle
- Self-priming
- Up to 400 gpm (1,514 lpm)
- Can be run dry without damage
- Can draw water down to depth of 2" (51 mm)

SPECIFICATIONS

System	Open- and Closed-Center
Capacity	Up to 400 gpm (1,514 lpm) [at 7 gpm (27 lpm) and a 15' (4.5 m) head height]
Intake Port	1-1/2" (38 mm)
Discharge Port	2-1/2" (64 mm) NPT Female
Strainer	7" x 2.5" (178 x 64 mm)
Weight	23.5 lb. (10.6 kg)
Height	16" (406 mm) over handle
Width	12" (305 mm) diameter
Flow Range	4 - 8 gpm (15 - 30 lpm)
Operating Pressure	0 - 2,000 psi (0 - 138 bar)
Pressure Port Thread	1/2" Male NPTF
Return Port Thread	1/2" Male NPTF

CAT. NO.	UPC NO.	DESCRIPTION
€ H4660B	42190	Submersible Pump
▲ F024775	42105	2.5" Cam Lock Coupling for Discharge Hose
▲ 156339	41219	2.5" Diameter x 25' Discharge Hose Assembly
▲ F020196K	41778	HTMA Female Coupler - 1/2" NPTF internal thread
▲ F020197K	41779	HTMA Male Coupler - 1/2" NPTF internal thread

3" (76 mm) Submersible Trash Pump

- Compact, under 12" (300 mm) diameter to easily fit into small areas
- Self-priming submersible pump can be placed and operated quickly
- Passes up to 3" (76 mm) solids minimizing pump blockage from debris
- Can run dry without damage for longer working life
- Carry handle with lifting eye makes it easy to transport, move, lift, and lower
- Locking coupler for discharge hose included
- Can draw water down to depth of 2-3/4" (70 mm)

SPECIFICATIONS

System	Open- and Closed-Center
Capacity	Up to 500 gpm (1893 lpm) [at 8 gpm (30 lpm) and a 15' (4.5 m) head height]
Intake Port	3.125" (79.4 mm)
Discharge Port	3" (76.2 mm) NPT Female
Trash Diameter	3" (76 mm)
Weight	28 lbs. (11.7 kg)
Height	14.18" (360 mm) over handle
Width	11.87" (301 mm) diameter
Flow Range	7 - 10 gpm (26.5 - 37.9 lpm)
Operating Pressure	0 - 2,000 psi (0 - 138 bar)
Pressure Port Thread	1/2" Male NPTF
Return Port Thread	1/2" Male NPTF



H4635

49499

CAT. NO.	UPC NO.	DESCRIPTION
CE H4635	49334	Hydraulic 3" Trash Pump
A 49499	49499	3" Diameter x 25' Discharge Hose Assembly
A F020196K	41778	HTMA Female Coupler - 1/2" NPTF internal thread
A F020197K	41779	HTMA Male Coupler - 1/2" NPTF internal thread

POWER UNITS AND VALVE CONTROLS

Hydraulic Power Unit – 13 Hp



F13

- Easy pull recoil start and dependable Honda 4-stroke OHV GX390 gasoline engine with low oil alert and shutdown protection system
- Engine is CARB (California Air Resources Board) certified as well as compliant with upcoming 2011 EPA emissions standards
- Powder-coated, welded steel tubular frame protects components and allows easy access to all service points
- Oversized oil cooler and electric fan ensures cool running
- Large 13 inch (330 mm) no-flat tires ensure easy job site handling and transport over a wide variety of surfaces and soils
- Quick-release telescoping handles
- Hydraulic oil-level site gauge
- HTMA flat-faced couplers and a 25-micron return line filter

SPECIFICATIONS

Horsepower	13 at 3,600 rpm (9.7 kW at 3,600 rpm)
System	Open-Center
Rated Flow	5 - 8 gpm (19 - 30 lpm)
Rated Pressure	2,000 psi (138 bar)
Fuel	Gasoline 1.7 gal (6.5 l)
Hyd Oil Capacity	1.8 gal (7.0 l)
Dry Weight	168 lb (76 kg)
Length	28" (710 mm)
Width	23.5" (597 mm)
Height (handle folded)	25.5" (648 mm)

CAT. NO.	UPC NO.	DESCRIPTION
F13	31378	13 Hp 5-8 gpm Portable Hydraulic Power Unit

Hydraulic Flow Control Valve



HFC30

- Operates off other equipment's hydraulic accessory circuit – no need for a separate power unit
- Accepts up to 30 gpm (113 lpm) for running off most skid-steer, tractors and loaders
- Variable flow adjustment allows precise flow control for tool operation
- Integral pressure relief valve helps protect hydraulic equipment and tools
- All-aluminum body design is lightweight and provides better heat dissipation
- Low profile, compact unit is unobtrusive and easy to install
- All tool ports have O-Ring boss and accept industry standard hoses and couplers

SPECIFICATIONS

Hydraulic Ports	Power Source Side – Pressure: 1-1/16" – 12 SAE O-Ring Power Source Side – Return: 1-1/16" – 12 SAE O-Ring Tool Side – Pressure: 3/4" – 16 SAE O-Ring Boss HTMA Flush Face Coupling; Tool Side – Return: 3/4" – 16 SAE O-Ring Boss HTMA Flush Face Coupling
Hydraulic Flow and Pressure	Maximum Output Flow: 10 gpm (38 lpm); Maximum Output Pressure: 2,150 psi (148 bar)
Temperature Range	-30° to 140° F (-34° to 60° C)
Length	8.79" (223 mm)
Width	6.72" (171 mm)
Height	5.03" (128 mm)
Mass/Weight	8.3 lbs. (3.8 kg)
Maximum Input Flow	30 gpm (113 lpm)
Maximum Input Pressure	3,000 psi (207 bar)

CAT. NO.	UPC NO.	DESCRIPTION
HFC30	49550	Hydraulic Flow Control Valve with 54923 and 54925 couplers

Note: We recommend the use of whip hoses and HTMA couplers to connect the HFC30 to your equipment

Flow Control Valve



49913

- Used to control the direction of oil flow to tools (forward/reverse)
- Includes two flat-face male and two flat-face female couplers

SPECIFICATIONS

Hyd Flow Maximum	10 gpm (37 lpm)
Operating Pressure	2,500 psi (172 bar) max

CAT. NO.	UPC NO.	DESCRIPTION
49913	49913	Control Valve for Open-Center Hydraulic Systems

Remote Valve



111952

- Used to remotely turn on and off tools such as tampers, ground rod drivers and sign post drivers
- Can be used on open-center and closed-center systems.

SPECIFICATIONS

Hyd Flow Maximum	8 gpm (30 lpm)
Operating Pressure	2,500 psi (172 bar) max
Pressure Ports	9/16–18 SAE O-ring
Return Ports	3/4–16 SAE O-ring

CAT. NO.	UPC NO.	DESCRIPTION
111952	40290	Remote Valve

Flow Test Kit



135130

- Kit used in testing of hydraulic circuitry
- Measures backpressure/resistance, flow (gpm and lpm)
- Unit complete with fittings and dust caps

SPECIFICATIONS

Type	Hydraulic Circuitry
Capacities	1-10 gpm (37.8 - 3,785 lpm); 0-3,000 psi (0 - 207 bar)

CAT. NO.	UPC NO.	DESCRIPTION
135130	40884	Flow Test Kit

LOW PRESSURE HOSES AND FITTINGS

Rubber Low Pressure Hose, Orange, Non-Conductive

135245



- Certified nonconductive orange rubber
- Double rayon braid
- Working pressure 2,250 psi (155 bar) tested to 75 kV/ft. for five minutes

CAT. NO. UPC NO. DESCRIPTION

135245	40887	Two 3/8" x 8' (10 mm x 2.4 m) I.D. Hoses with 3/8" NPTF male fittings
135247	40888	Two 3/8" x 10' (10 mm x 3 m) I.D. Hoses with 3/8" NPTF male fittings
154399	41185	Two 3/8" x 8' (10 mm x 2.4 m) I.D. Hoses with 3/8" NPTF male fitting on one hose and 1/2" male NPTF male fitting on the other hose
154400	41186	Two 3/8" x 10' (30 mm x 3 m) I.D. Hoses with 3/8" NPTF male fitting on one hose and 1/2" NPTF male fitting on the other hose
25746	25746	Two 3/8" x 8' (10 mm x 2.4 m) I.D. Hoses with 3/8" NPTF male swivel fittings
31369	31369	One 3/8" x 8' (10 mm x 2.4 m) I.D. Hose with 3/8" NPTF male fitting x 9/16-18 SAE O-ring swivel fitting and One 3/8" x 8' (10 mm x 2.4 m) I.D. Hose with 3/8" NPTF male fitting x 3/4-16 SAE O-ring swivel fitting

Note: Hose assemblies above do not come with quick-disconnect couplers; they must be ordered separately.



25746 - Swivel Hose



31369 - Swivel Hose

Rubber Low Pressure Hose, Red, Non-Conductive

130694



- Certified nonconductive red rubber
- Double rayon braid
- Working pressure 2,250 psi (155 bar) tested to 75 kV/ft. for five minutes

CAT. NO.	UPC NO.	DESCRIPTION
130694	40635	Two 3/8" x 8' (10 mm x 2.4 m) I.D. Hoses with 3/8" NPTF male fittings
130696	40637	Two 3/8" x 10' (10 mm x 3 m) I.D. Hoses with 3/8" NPTF male fittings
104101K2	40164	Two 3/8" x 8' (10 mm x 2.4 m) I.D. Hoses with 3/8" (10 mm) NPTF male fitting on one hose and 1/2" NPTF male fitting on the other hose
104102K2	40165	Two 3/8" x 10' (10 mm x 3 m) I.D. Hoses with 3/8" (10 mm) NPTF male fitting on one hose and 1/2" NPTF male fitting on the other hose

Note: Hose assemblies above do not come with quick-disconnect couplers; they must be ordered separately.

Polyurethane Low Pressure Hose, Orange, Non-Conductive

108271



- Certified nonconductive orange polyurethane
- Double rayon braid
- Working pressure 2,250 psi (155 bar) tested to 75 kV/ft. for five minutes

CAT. NO.	UPC NO.	DESCRIPTION
108271	40250	Two 3/8" x 8' (10 mm x 2.4 m) I.D. Hoses with 3/8" NPTF male fitting on one hose and 1/2" NPTF male fitting on the other hose
108272	43036	Two 3/8" x 10' (10 mm x 3 m) I.D. Hoses with 3/8" NPTF male fitting on one hose and 1/2" NPTF male fitting on the other hose

Note: Hose assemblies above do not come with quick-disconnect couplers; they must be ordered separately.

Low Pressure Hose, Conductive

11185



- Steel (conductive)
- NOTE: Steel braid hoses are not intended for use near energized lines or equipment
- Wire braid reinforced
- SAE 100R1 AT Hose
- Working pressure 2,000 psi (138 bar)

CAT. NO.	UPC NO.	DESCRIPTION
111185	40284	Two 1/2" x 25' (13 mm x 7.6 mm) wire braid hoses with 1/2" NPTF male fittings at both ends

Note: Hose assembly above does not come with quick-disconnect couplers; they must be ordered separately.

Whip Hose Set, Conductive

101243



- For use in place of quick-disconnect body assemblies on tool
- Allows any type coupling to be used
- Working pressure 2,000 psi (138 bar)

SPECIFICATIONS

Length 8" (203 mm)

CAT. NO.	UPC NO.	DESCRIPTION
101243	40111	Hose Fittings – Two hoses One 8" (203 mm) hose with 3/8" NPTF Male x 9/16 - 18 SAE O-ring and One 8" (203 mm) hose with 3/8" NPTF Male x 3/4 - 16 SAE O-ring

HTMA Couplers



- 3,000 psi maximum operating pressure

CAT. NO.	UPC NO.	DESCRIPTION
F020195K	41777	HTMA Female Coupler – 3/8" NPTF internal thread
F020196K	41778	HTMA Female Coupler – 1/2" NPTF internal thread
F020198K	41780	HTMA Male Coupler – 3/8" NPTF internal thread
F020197K	41779	HTMA Male Coupler – 1/2" NPTF internal thread
54922	54922	HTMA Male Coupler – 9/16 - 18 SAE O-Ring external thread
54923	54923	HTMA Male Coupler – 3/4 - 16 SAE O-Ring external thread
54924	54924	HTMA Female Coupler – 9/16 - 18 SAE O-Ring external thread
54925	54925	HTMA Female Coupler – 3/4 - 16 SAE O-Ring external thread
F021406	41834	Dust Cap

Male Adapters for tools having SAE O-Ring Thread



CAT. NO.	UPC NO.	DESCRIPTION
F017347	42952	Adapter 9/16 - 18 SAE O-Ring x 3/8" NPTF
F017348	41638	Adapter 3/4 - 16 SAE O-Ring x 3/8" NPTF
F020754	41799	Adapter 3/4 - 16 SAE O-Ring x 1/2" NPTF

Male Adapters for tools having 3/8" NPTF or 1/2" NPTF Ports



CAT. NO.	UPC NO.	DESCRIPTION
F011604	41364	Nipple 3/8" x 3/8" male NPTF thread
F011243	41351	Nipple 1/2" x 1/2" male NPTF thread
F013455	41419	Nipple 3/8" x 1/2" male NPTF thread

Female Adapters



CAT. NO.	UPC NO.	DESCRIPTION
093214	40081	Adapter 3/8" NPTF female x 9/16 - 18 SAE O-Ring
093215	40082	Adapter 1/2" NPTF female x 3/4 - 16 SAE O-Ring

Swivel Adapters



- Hose assemblies can be applied directly to the tool without the use of body assemblies or nose pieces, eliminating the quick-disconnect feature by ordering one each

CAT. NO.	UPC NO.	DESCRIPTION
F016775	41615	Adapter 3/8" NPSM x 9/16 - 18 SAE O-ring external thread
F017904	41661	Adapter 1/2" NPSM x 3/4 - 16 SAE O-ring external thread
F016776	43270	Adapter 3/8" NPSM x 3/4 - 16 SAE O-ring external thread

GLOSSARY OF HYDRAULIC TERMS

Accumulator: A container in which fluid is stored under pressure; it functions as source of fluid power, and can also absorb or cushion pressure surges in the hydraulic system.

Backpressure: Pressure that works against the flow of hydraulic fluid through a hydraulic system.

Bar: A metric unit of pressure; equal to approximately 14.5 psi.

Body Piece: The female fitting of a quick-connect coupler group. See Nose Piece.

Cavitation: A condition in which the hydraulic pump is unable to draw fluid.

Closed-Center: A constant-pressure hydraulic system or tool; the pump output is not unloaded to the reservoir when the tool is in the neutral position, and the pressure at the pump outlet is maintained at the maximum pressure control setting. See Open-Center.

Cooler: A heat exchanger; used to remove heat from the hydraulic fluid.

Coupler: Any device used to connect hydraulic components together; same as Fitting.

Directional Spool: A valve which directs the flow of hydraulic fluid to a particular channel or passageway.

Double-Acting: A hydraulic cylinder or tool that allows fluid force in two directions; see Single-Acting.

Fitting: Any device used to connect hydraulic components together; same as Coupler.

Flow: The movement of hydraulic fluid, caused by a difference in pressure between two points; measured in a quantity per unit of time, such as gpm (gallons per minute) or lpm (liters per minute).

Flow Control Valve: A valve which controls the rate of fluid flow.

Four-Port Valve: A directional control valve with four flow paths; see Two-Port Valve.

gpm: Gallons per minute; a measure of hydraulic fluid flow. See Flow.

Head: The height of a column of fluid above a particular point, measured in linear units; pressure is equal to the height multiplied by the density of the fluid.

High Pressure: 207 bar (3000 psi) or more of hydraulic pressure; see Low Pressure.

Horsepower: The amount of power required to lift 550 pounds one foot in one second; one horsepower is equivalent to 746 watts or 42.4 BTU (British Thermal Units) per minute. Abbreviated hp.

HTMA: The Hydraulic Tool Manufacturers Association; a group of manufacturers of hand-held hydraulic tools.

Hydraulic Fluid: A liquid that is specially compounded for transmitting power in a hydraulic system.

Hydraulic Motor: A device which converts hydraulic fluid power to mechanical force and motion; see Pump.

Intensifier: A device which takes a low-pressure hydraulic input and provides a high-pressure hydraulic output. See Low Pressure and High Pressure.

Low Pressure: 172 bar (2500 psi) or less of hydraulic pressure; see High Pressure.

lpm: Liters per minute; a measure of hydraulic fluid flow. See Flow.

Micron: One millionth of a meter; approximately 0.00004 in.

Nose Piece: The male fitting of a quick-connect coupler group. See Body Piece.

Open-Center: A constant-flow hydraulic system or tool; the pump output is unloaded to the reservoir when the tool is in the neutral position, and the flow rate at the pump outlet is maintained at the maximum flow control setting. See Closed-Center.

Port: An internal or external opening or passage of a component or tool.

Power Source: A hydraulic unit (consisting of a pump, reservoir, oil cooler, etc., powered by an engine or electric motor) that provides hydraulic flow and pressure to transmit power.

Pressure: Force exerted against an area; measured in pounds per square inch or bar.

Pressure Hose: The hose that carries hydraulic fluid from the pump to the tool.

PSI: Pounds per square inch; a measure of hydraulic pressure. See Pressure.

Pump: A device which converts mechanical force and motion to hydraulic fluid power; see Hydraulic Motor.

Reciprocation: Back-and-forth straight line motion or oscillation.

Relief Valve: A pressure-operated valve that protects the hydraulic system; it prevents the system pressure from exceeding a predetermined setting or maximum value by directing the pump output to go to the reservoir.

Reservoir: A container that stores liquid in a fluid power system; same as Sump or Tank.

Return Hose: The hose that carries exhausted hydraulic fluid from the tool back to the tank.

SAE: Society of Automotive Engineers, an international engineering organization.

Selector: A valve which allows or prevents the flow of hydraulic fluid; also can control the direction of fluid flow.

Single-Acting: A hydraulic cylinder or tool that allows fluid force in one direction only, with an internal spring or gravity-assisted return; see Double-Acting.

Sump: Same as Reservoir or Tank.

Surge: A momentary increase in system pressure or flow.

Tank: Same as Reservoir or Sump.

Torque: Rotational force; the twisting effort of a fluid motor, expressed as a product of distance multiplied by force (such as inch-pounds or Newton-meters).

Two-Port Valve: A directional control valve with two flow paths; see Four-Port Valve.

Valve: A device which controls the direction, pressure, and flow rate of hydraulic fluid.

Viscosity: A measure of the internal friction of a fluid, or the resistance of a fluid to flow; measured in S.U.S. (Saybolt Universal Seconds) or centistokes.



SAFETY FIRST



The following are reminders and not intended to replace reading instruction manuals and other safety information.

- Observe all Safety Precautions included in the Operator's, Service, and Parts Manual shipped with each product.
- For your personal safety read and understand all instructions and warnings before using a product.
- Inspect tools, equipment, and other products before using; replace damaged, missing, or worn parts with genuine Greenlee or Greenlee Utility replacement parts.
- Make sure all hydraulic connections are clean and tight. Replace damaged or worn hoses before using.
- Do not overreach when operating tool. Always keep proper footing and balance.
- Use with specified hydraulic power unit only.
- Use all appropriate and applicable personal safety equipment as required, such as: safety shoes, hard hat, safety glasses or face shield, etc.

All company names referred to in this catalog are owned by each company.

CABLE FEEDERS

Ultra Cable Feeder™



Productive

- One person set-up and operation

Heavy Duty


- Accommodates cable ranging in size up to 3.5" (88.9 mm) in diameter

Versatile

- Feeds cable at variable speeds to match the speed of cable puller
- Tires for improved traction with low friction cable
- Two cable loading methods: Top-loading and End-loading
- Available with pendant and toggle switch

SPECIFICATIONS

Power Supply	115 VAC, 15 amps, 60 Hz 230 VAC, 8 amps, 50/0 Hz								
Speed	4-36 feet per minute (1.2-11 meters per minute)								
Maximum Tractive Force	Single Cable: 200 lbs. (.9 kN) All Cables: 800 lbs. (3.5 kN)								
Cable Capacity	<table> <thead> <tr> <th>Quantity</th> <th>Size</th> </tr> </thead> <tbody> <tr> <td>8 x</td> <td>250 MCM (120 mm²)</td> </tr> <tr> <td>6 x</td> <td>500 MCM (240 mm²)</td> </tr> <tr> <td>5 x</td> <td>750 MCM (300 mm²)</td> </tr> </tbody> </table>	Quantity	Size	8 x	250 MCM (120 mm ²)	6 x	500 MCM (240 mm ²)	5 x	750 MCM (300 mm ²)
Quantity	Size								
8 x	250 MCM (120 mm ²)								
6 x	500 MCM (240 mm ²)								
5 x	750 MCM (300 mm ²)								
Reel Weight Capacity	25,000 lbs. total (11,300 kg)								
Size	41" long x 27.5" wide x 37.5" high (1040 mm x 699 mm x 953 mm)								
Weight	285 lbs. (130 kg)								
Tire Pressure	50 psi (2.4 bar)								

CAT. NO.	UPC NO.	DESCRIPTION
6810	05564	Ultra Cable Feeder with Hand Switch 120V
6810-22	12293	Ultra Cable Feeder with Hand Switch 220V
 05645	05645	Tee (included)

CABLE PULLERS

Cable Puller Selection Guide

CAT. NO.	DESCRIPTION	PAGE NO.	PULLING FORCE			SPEED						POWER	REQUIRED ROPE	
			CONTINUOUS	MAXIMUM	WEIGHT	NO LOAD	500 LBS	2000 LBS	4000 LBS	5000 LBS	6000 LBS			8000 LBS
UT10-2S	Ultra Tugger® 10 (UT10) Cable Puller	88	6500 lbs.	10000 lbs.	86 lbs.	16 fpm		14.0 fpm	12.0 fpm		7.0 fpm	6.0 fpm	1-1/2 HP electric	7/8" double braid
6001	Super Tugger® Power Cable Puller	91	4500 lbs.	6500 lbs.	108 lbs.	16.5 fpm		11.0 fpm	7.5 fpm	6.0 fpm			1-1/2 HP electric	3/4" double braid
UT4	Ultra Tugger® 4 Power Cable Puller	92	3000 lbs.	4000 lbs.	175 lbs.	26/13 fpm		20.0 fpm	10.0 fpm				1-1/4 HP electric	9/16" double braid
G3	G3 Tugger™ Cable Puller	93	1200 lbs.	2000 lbs.	123 lbs.	97 fpm	59 fpm	13 fpm					1 HP electric	9/16" double braid



Ultra Tugger® 10 (UT10) Cable Puller: 10,000 lb. (44.5kN) rated



6906



6900



6901

Speed

- 2-Speed gear-motor enables 20% faster pulling time
- Shift from high-speed/low-load pulling to low-speed/high-load pulling with a simple double-tap motion on the foot-pedal

Versatile

- Available with Mobile VersiBoom™ for less than 2 minutes, one person set-up, & 20' tall
- Available with floor mount & chain mount for tighter spaces

Heavy Duty

- Customized gear motor specifically for heavy-duty cable pulling application and meets UL & cUL safety requirements

SPECIFICATIONS

Pulling Force Maximum: 10,000 lbs. (44.48 kN)
Continuous: 6,500 lbs. (28.9 kN)

Dimensions Length: 11.5" (292 mm)
Width: 26" (660 mm)

Height 120V models: 6.75" (172 mm)
220V models: 10.0" (254 mm)

Weight 86 lbs. (39 kg) (08000 only)

Pulling Speed – Feet (Meters) Per Minute

No Load: 16 fpm/min (4.88 mpm)
At 2000 lbs. (0.9 kN): 14 fpm (4.27 mpm)
At 4000 lbs. (1.8 kN): 12 fpm (3.66 mpm)
At 6000 lbs. (2.7 kN): 7 fpm (2.13 mpm)
At 8000 lbs. (3.6 kN): 6 fpm (1.8 mpm)

Drive Motor 1-1/2 HP (1.1 kW)

Power UT10-2S, UT10-22, 6900, 6900-22, 6901,

6901-22, 6906, 6906-22

Required Rope 7/8" diameter (22.2 mm); Double-Braided Polyester Composite – Rated at 32,000 lbs. (142 kN) minimum breaking strength

CAT. NO.	UPC NO.	DESCRIPTION
6900	00357	UT10-2S Package with Floor mount
6900-22	00814	UT10-22 (220 V) Package with Floor mount
6901	00358	UT10-2S Package with Chain mount
6901-22	00813	UT10-22 (220 V) Package with Chain mount
6906	00359	UT10-2S Package with Mobile VersiBoom™ II
6906-22	00812	UT10-22 (220 V) Package with Mobile VersiBoom™ II
UT10-2S	05528	Puller Assembly
UT10-22	00829	(220 V) Puller Assembly
00967	00967	Deluxe Force Gauge
34136	34136	7/8"(22.2m) Double braided composite rope – 300'
34137	34137	7/8"(22.2m) Double braided composite rope – 600'
34138	34138	7/8"(22.2m) Double braided composite rope – 1,200'

CAT. NO.	UPC NO.	DESCRIPTION	6900	6901	6906
UT10-2S	05528	Puller Assembly (UT10)	x	x	x
00865	00865	Mount Assy-Floor	x		
02846	02846	Chain Mount Ass'y-Pkgd		x	
MVB	00553	Mobile Versi Boom			x

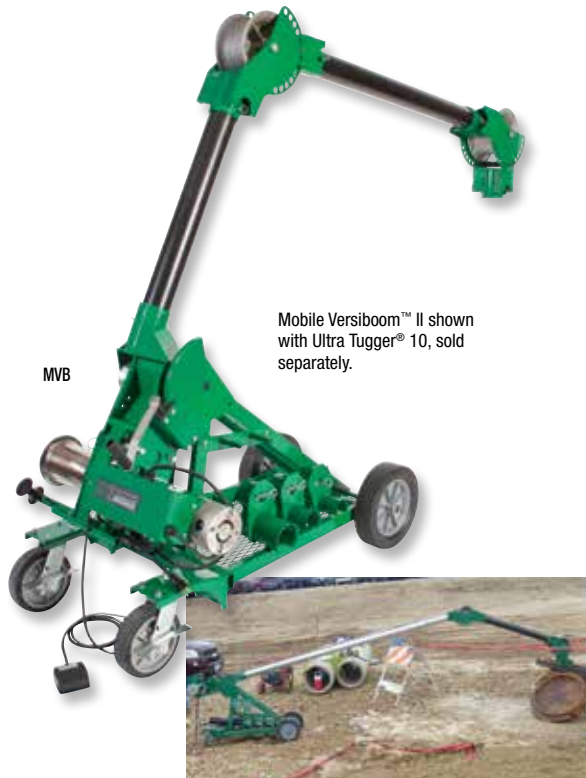
Rope is a very critical link in the cable pulling system. See page 106 for proper pulling rope selection.



A PRODUCT VIDEO IS AVAILABLE. SCAN THIS QR CODE OR VISIT:

www.youtube.com/GreenleeDEMO

Mobile VersiBoom™ II



Mobile VersiBoom™ II shown with Ultra Tugger® 10, sold separately.

Quick Set-Up

- One person set-up in less than 2 minutes

Versatile

- Can be extended up to 20'
- Use with one 3' boom for tighter spaces
- Use with 2"-5" slip-on adapters and 2"-4" threaded adapters

Easy to store and transport

- Can be folded up in less than 2 minutes and can be stored on the back of a pick-up truck
- Fully contained unit

SPECIFICATIONS

Weight	322 lbs. (146.06 kg)
Length	47" (1193.8mm)
Width	42" (1066.8 mm)
Height	48" (1219.19 mm)

CAT. NO.	UPC NO.	DESCRIPTION
MVB	00553	Mobile VersiBoom™ II
00560	00560	4' boom
00561	00561	3' Boom
00562	00562	Elbow/Nose Assembly
00564	00564	2-1/2" Adapter
00565	00565	3" Adapter
00567	00567	4" Adapter
00588	00588	Short Hanger
00589	00589	Long Hanger

Mobile VersiBoom™ II Components/Accessories



CAT. NO.	UPC NO.	DESCRIPTION	SHIPS WITH MVB II
A 00471	00471	Coupling Hanger Kit	
A 00563	00563	Adapter Weldment, 2" (UT8)	
R 00564	00564	Adapter Weldment, 2-1/2"	✓
R 00565	00565	Adapter Weldment, 3" (UT8)	✓
A 00566	00566	Adapter Weldment, 3-1/2"	
R 00567	00567	Adapter Weldment, 4" (UT8)	✓
A 00583	00583	Adapter Assembly, 2" Screw-On	
A 00584	00584	Adapter Assembly, 2-1/2" Screw-On	
A 00585	00585	Adapter Assembly, 3" Screw-On	
A 00586	00586	Adapter Assembly, 3-1/2" Screw-On	
A 00587	00587	Adapter Assembly, 4" Screw-On	
R 00588	00588	Hanger Weldment, Short	✓
R 00589	00589	Hanger Weldment, Long	✓
A 00590	00590	Screw On Coupling Kit	
A 00610	00610	Adapter Weldment, 5" (UT8)	
R 00561	00561	3' Boom	✓
R 00560	00560	4' Boom	✓

Rope is a very critical link in the cable pulling system. See page 106 for proper pulling rope selection.

Super Tugger® Cable Puller: 6500 lb. (28.9 kN) rated



6001



6005



6004

- Pull up to 6,500 lbs. (28.9 kN) with less than 27 lbs. (120 N) of operator effort
- Unique floor mounting attachment for quick, reliable setup
- Leaf-type mounting chains won't twist when tightening
- Heat-treated steel serrated gripper feet for secure mounting to conduit
- Right-angle sheave allows the operator to stand out of the direct line of force
- Audio alarm high force warning and circuit breaker shut off at maximum force for added safety
- Tapered capstan and patented rope guidance system for better control of the rope when feeding onto the capstan
- Patented

SPECIFICATIONS

Pulling Force	Maximum: 6,500 lbs. (28.9 kN) Continuous: 4,500 lbs. (20 kN)
Dimensions	Length: 20-3/4" (527 mm) Width: 22-1/2" (572 mm) Height: 12" (305 mm)
Weight	6001, 6001-22: 108 lbs. (49 kg) 6003: 454 lbs. (206 kg) 6000, 6000-22: 550 lbs. (250 kg) 6006, 6006-22: 612 lbs. (278 kg)
Pulling Speed – Feet (Meters) Per Minute	No Load: 16.5 (5) At 2000 lbs.: (8.8 kN) – 11 (3.4) At 4000 lbs.: (17.9 kN) – 7.5 (2.3) At 6000 lbs.: (26.7 kN) – 6 (1.8)
Drive Motor	1-1/2 HP (1.1 kW)
Power Requirements	6001, 6004, 6005 – 120 VAC 16Hz 20A 6001-22 – 220 VAC 50Hz
Required Rope	3/4" (19.1 mm) Double-Braided Composite – Rated at 26,000 lbs. (115.6 kN)

CAT. NO.	UPC NO.	DESCRIPTION
6001	29627	Super Tugger Cable Puller Power Unit, Includes force gauge and vise chains
6001-22	31466	Same as 6001 except 220 VAC 50 HZ
6004	56358	Super Tugger Complete Puller Package, Includes 6001 Super Tugger, Floor Mount, Mobile Carriage, Boom Mount, 4' Boom Tube, Nose Unit, 2 1/2", 3", 3 1/2", 4" Slip-in and Screw-On Couplings & Storage Trays
6005	56359	Super Tugger Complete Puller Package, Includes 6001 Super Tugger, Floor Mount, Mobile Carriage, Boom Mount, 4' Boom Tube, Nose Unit, 3' Boom Tube, Elbow Unit, 2 1/2", 3", 3 1/2", 4" Slip-in and Screw-On Couplings and Storage Trays
35098	35098	Double-Braided Composite Rope 3/4" x 300' (19.1 mm x 91 m)
35100	35100	Double-Braided Composite Rope 3/4" x 600' (19.1 mm x 182 m)
35101	35101	Double-Braided Composite Rope 3/4" x 1,200' (19.1 mm x 365 m)
3048	23362	Storage Box (See page 410)
11147	11147	Ultra Tugger 640/6001 Adapter Package Includes wheeled carriage, 4 ft. (1.2 m) boom, boom adapter, nose unit, 2-1/2", 3" and 4" slip-in couplings and 2", 3" and 4" screw-on couplings
3048	23362	Storage Box

Rope is a very critical link in the cable pulling system. See page 106 for proper pulling rope selection.

11147 Ultra Tugger® 6001 Adapter Package



- Adapt 6001 Super Tugger to Ultra Tugger Wheeled Carriage and Boom for faster and easier cable puller setups
- Wheeled carriage and boom provides fast setup with no anchors to set or chains to mount
- Boom uses 3" rigid steel conduit for easy length adjustment to pull 10 feet (3m) of cable out of the box fast and easy
- Optional Elbow Unit and Boom available to reach into manholes or pull up to 20 feet (6 m) of cable out of the box

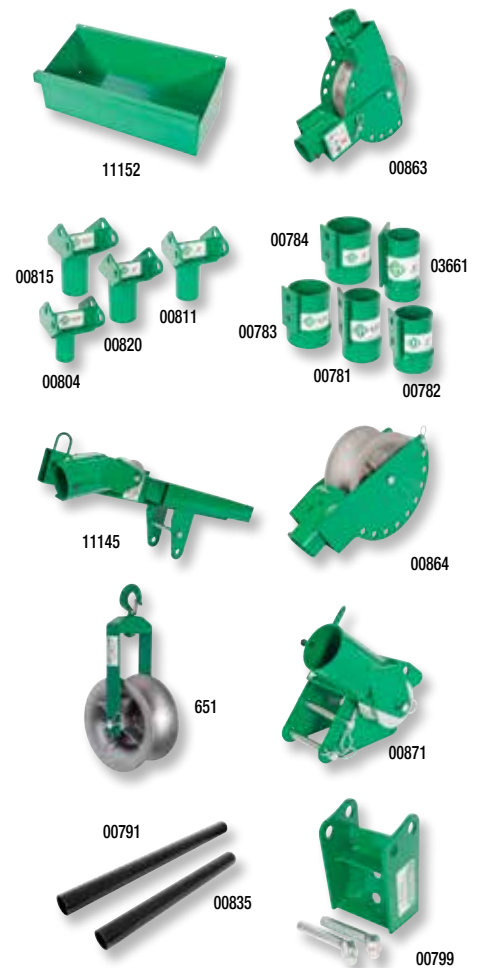
SPECIFICATIONS

Weight	198 lbs. (90 kg)
Length	91-1/2" (232 cm)
Width	27" (69 cm)
Height	38-1/2" (98 cm)
Use With	Greenlee 6001 Cable Pullers
Load Rating	6500 lbs. (28.9 kN)

CAT. NO.	UPC NO.	DESCRIPTION
11147	11147	Ultra Tugger 640/6001 Adapter Package Includes wheeled carriage, 4 ft. (1.2 m) boom, boom adapter, nose unit, 2-1/2", 3" and 4" slip-in couplings and 2", 3" and 4" screw-on couplings

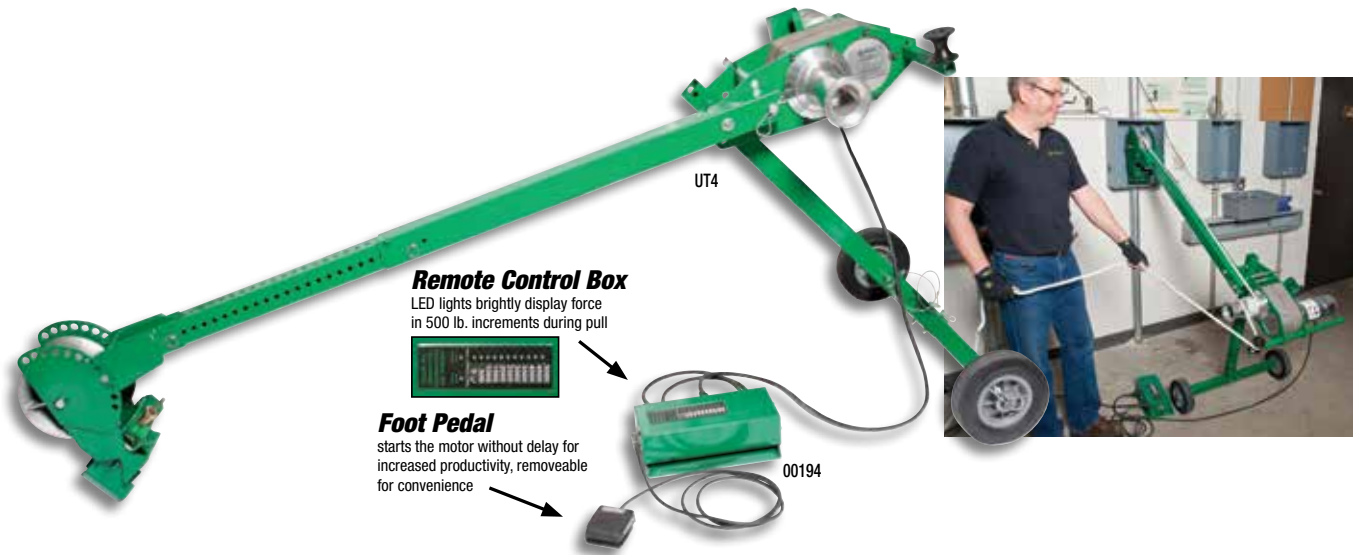
Package Components

CAT. NO.	UPC NO.	DESCRIPTION	SUPER TUGGER - 6,500 LB			
			110 VAC		220 VAC	
			6001	6004	6005	6001-22
6001	29627	Cable Puller w/Force Gauge 120 VAC, 60 Hz	✓	✓	✓	
6001-22	31466	Cable Puller w/Force Gauge 220 VAC, 50 Hz				✓
6037	35605	Floor Mount		✓	✓	
29631	29631	Vise Chains	✓	✓	✓	✓
11145	11145	Boom Mount		✓	✓	
00791	00791	4' (1.2 m) Boom Tube		✓	✓	
00864	00864	Nose Unit		✓	✓	
00863	00863	Elbow Unit			✓	
00835	00835	3' (.9 m) Boom Tube			✓	
03661	03661	2" Screw-On Coupling				
00781	00781	2-1/2" Screw-On Coupling		✓	✓	
00782	00782	3" Screw-On Coupling		✓	✓	
00783	00783	3-1/2" Screw-On Coupling		✓	✓	
00784	00784	4" Screw-On Coupling		✓	✓	
00799	00799	Adapter for Screw-On Coupling		✓	✓	
00804	00804	2-1/2" Slip-In Coupling		✓	✓	
00811	00811	3" Slip-In Coupling		✓	✓	
00815	00815	3-1/2" Slip-In Coupling		✓	✓	
00820	00820	4" Slip-In Coupling		✓	✓	
11152	11152	Storage Trays (2)		✓	✓	
651	15325	12" Hook Sheave				



Rope is a very critical link in the cable pulling system. See page 106 for proper pulling rope selection.

Ultra Tugger® 4 (UT4) Cable Puller: 4,000 lb. (22.2kN) Rated



Connect for an upward pull



Connect for a downward pull



Connect at floor height



Optional 12' boom extension for high pulls



Optional floor mount

Speed

- 2 speed gear-box can pull 20 fpm at 2000 lbs. and 10 fpm on low speed at 4000 lbs

Versatile

- Available with floor mount option for use in tight spaces
- Boom extends to 8'. A 12' boom extension accessory is available

Quick Set-up

- Quick latch system attaches to the outside of threaded and unthreaded conduit without need for adapters

SPECIFICATIONS

Maximum Pulling Force	High Speed 2,000 lbs. (909 kg) Low Speed 4,000 lbs. (1,818 kg)
Continuous Pulling Force:	Low Speed 3,000 lbs. (1,364 kg)
High Pulling Speeds:	No Load 26 fpm (8 mpm) 2,000 lbs. (909 kg) 20 fpm (6 mpm)
Low Pulling Speeds:	No Load 13 fpm (4 mpm) 2,000 lbs. (909 kg) 10 fpm (3 mpm)
*Pulling Rope:	9/16" diameter double braided composite (16,000 lbs. minimum breaking strength)
Conduit Size:	2" to 4"
Weight:	175 lbs. (80kg)
Drive Motor:	1-1/4 hp, 120 VAC, 60 Hz
Electrical Plug:	120 V, 15 Amp
Force Gauge:	Standard
Foot Switch:	Standard
Standard Boom Extension:	8' (2.4 m) maximum
Optional Long Boom Extension:	12' (3.6 m) maximum
Pulling Capability:	3 x 750 kmil cable 600' with 2 x 90° bends 4 x 350 kmil cable 400' with 4 x 90° bends 3 x 500 kmil cable 400' with 3 x 90° bends

* Greenlee recommends that only low stretch double braided composite rope be used with the UT4. High stretch ropes can release large amounts of energy should they break during use.

CAT. NO.	UPC NO.	DESCRIPTION
UT4	21552	4,000 lb. Cable Puller Package
UT4F	00154	UT4 Puller with Floor Mount
UT4-22	00644	4,000 lb. Cable Puller - 220 Volt
UT4F-22	00884	UT4 Puller Package with Floor Mount - 220 Volt
10014	10014	Floor Mount for UT4 Cable Puller
10015	10015	12' Long Extension Boom for UT4 Cable Puller
35283	35283	Double-Braided Composite Rope 9/16" x 300' (14.3 mm x 91 m)
35284	35284	Double-Braided Composite Rope 9/16" x 600' (14.3 x 182 m)
35285	35285	Double-Braided Composite Rope 9/16" x 1,200 (14.3 mm x 365 m)
3048	23362	Storage Box
2142	31651	Storage Box (requires boom to be removed from puller)
00149	00149	UT-4 Nose Retrofit Kit
00194	00194	UT-4 Control Box Retrofit Kit

Rope is a very critical link in the cable pulling system. See page 106 for proper pulling rope selection.

G3 Tugger™ Cable Puller



- Clamp easily adjusts for different sizes of conduit
- Right angle sheave safely keeps operators out of direct line of pulls
- Portable handle and wheels for increased mobility around jobsites
- Change tail length, pull direction, and angle of pull with ease
- Can hook on the back of a truck hitch
- Customized motor with circuit breaker specifically designed for cable pulling

SPECIFICATIONS

Pulling Force	Continuous rating	1,200 lbs.
	Intermittant rating	2,000 lbs.
Drive Motor	120 VAC, 50/60 Hz, 12 Amps	
Weight	123 lbs.	
Pulling Speeds	High Speed capstan	
	No Load:	97 ft/min
	500 lb. Load (227 kg)	59 ft/min
	1,000 lb. Load (455 kg)	36 ft/min
	Low Speed Capstan	
Pulling Rope	No Load:	41 ft/min
	1,000 lb. Load (455 kg)	21 ft/min
	2,000 lb. Load (909 kg)	13 ft/min
	1/2" polyester (10,000 lb. minimum breaking strength) *Greenlee recommends that only low stretch polyester rope be used with the G3. High stretch ropes can release large amounts of energy should they break during use.	
Conduit Size	1" or larger	
Pulling Capabilities	3 x 500 kcmil cable 500' with 2 x 90° bends	
	3 x 500 kcmil cable 250' with 4 x 90° bends	
	8 x 4/0 AWG cable 300' with 3 x 90° bends	

CAT. NO.	UPC NO.	DESCRIPTION
G3	00905	G3 Tugger™

Rope is a very critical link in the cable pulling system. See page 106 for proper pulling rope selection.



TUGGER ACCESSORIES

Deluxe Force Gauge



- Measures tension on the rope, to an accuracy of $\pm 5\%$
- Accuracy is not affected by initial rope size, or the change in rope size as it is loaded
- 0-10 VDC Analog output to optional strip chart recorder for permanent record of pulling force
- Switchable 120VAC receptacle for chart recorder
- Use with pulling rope up to 7/8" diameter (22.2 mm) maximum
- Also use with Kevlar® tape

Kevlar® is a registered trademark of E.I. du Pont de Nemours and Company

SPECIFICATIONS

Deluxe Force Gauge Accuracy $\pm 5\%$

- Use with any puller that uses Versi-Boom system.
Including : 6005, 6004, 645 and 643

CAT. NO.	UPC NO.	DESCRIPTION
00967	00967	Deluxe Force Gauge
A 33901	33901	Strip Chart Recorder
R 22410	22410	Fan Fold Chart Paper- 15 pack
R 22451	22451	Recorder Pens- 5 pack

Cable Pull Force Estimator



- Calculates estimated cable pulling force requirements based on user inputs
- Simple to follow instructions included on the calculator
- Consists of an Excel based calculator that can be used either from the supplied CD or downloaded
- Works with Windows 7, Vista, XP and Mac OS

CAT. NO.	UPC NO.	DESCRIPTION
PF8	20956	Cable Pull Force Estimator* (CD-ROM)

*Microsoft® Excel Required

Foot Switch for Cable Pullers



- Use with UT2, 640, 6001, 6500 or 6800 cable pullers to add foot control
- Foot pressure required to operate

SPECIFICATIONS

Power Source 120 VAC
Weight 3.5 lbs. (1.6 kg)

CAT. NO.	UPC NO.	DESCRIPTION
444	01874	Foot Switch

PULLING ACCESSORIES

Hook Sheaves - 8,000lb Capacity



- For use with UT8, UT5, 6001, UT4 and UT2 cable pullers
- Strong, welded steel frames
- Forged steel closure type hooks with 1" (25.4 mm) opening
- All three sheaves are aluminum alloy with self-lubricating bearings

SHEAVE	8012		8018		8024	
DIAMETER	12" (304.8 MM)		18" (457.2 MM)		24" (609.6 MM)	
DESCRIPTION	CAT. NO.	UPC NO.	CAT. NO.	UPC NO.	CAT. NO.	UPC NO.
Roll Pin	50700	50700	50700	50700	50700	50700
Sheave Pin	00838	00838	00838	00838	00838	00838
Sheave Unit	00843	00843	00843	00843	00843	00843
Yoke Frame	00854	00854	00855	00855	00856	00856

SPECIFICATIONS

CAT. NO.	UPC NO.	OUTSIDE DIAMETER	INSIDE RADIUS	WIDTH	WEIGHT	MAXIMUM RATED CAPACITY
8012	00872	12" (304.8 mm)	3-7/8" (98.4 mm)	5" (127 mm)	28 lbs (12.7 kg)	8,000 lbs. (35.8 kN)
8018	00873	18" (457.2 mm)	7" (177.8 mm)	6" (152.4 mm)	44 lbs (19.9 kg)	8,000 lbs. (35.8 kN)
8024	00874	24" (609.6 mm)	9-7/8" (250.8 mm)	6-1/2" (165.1 mm)	67 lbs (30.3 kg)	8,000 lbs. (35.8 kN)

Hook-Type Sheaves - 4,000lb Capacity



- Strong, welded steel frames
- Forged steel closure-type hooks with 1" (25.4 mm) opening
- 5" (127 mm) wide aluminum alloy sheaves with self-lubricating bearings
- Select a sheave with a maximum rated capacity that meets or exceeds the cable puller's maximum pulling force

CAT. NO.	UPC NO.	DESCRIPTION
650	15324	6" (152.4 mm) dia. Hook Sheave with 1-1/2" (38.1 mm) min. radius
651	15325	12" (304.8 mm) dia. Hook Sheave with 3-5/16" (84.1 mm) min. radius
652	15326	18" (457.2 mm) dia. Hook Sheave with 7" (177.8 mm) min. radius
653	15327	24" (609.6 mm) dia. Hook Sheave with 9-13/16" (249.2 mm) min. radius

SPECIFICATIONS

Maximum Rated Capacity	4,000 lbs. (17.8 kN)
Weight	650 - 8.8 lbs. (4 kg)
	651 - 15 lbs. (6.8 kg)
	652 - 25 lbs. (11.3 kg)
	653 - 35 lbs. (15.9 kg)

SHEAVE	650		651		652		653	
DIAMETER	6" (152.4 MM)		12" (304.8 MM)		18" (457.2 MM)		24" (609.6 MM)	
DESCRIPTION	CAT. NO.	UPC NO.	CAT. NO.	UPC NO.	CAT. NO.	UPC NO.	CAT. NO.	UPC NO.
Sheave Pin	16797	16797	16797	16797	16797	16797	16797	16797
Sheave	15362	15362	15358	15358	15363	15363	15364	15364
Sheave Bushing (2)	16798	16798	16798	16798	16798	16798	16798	16798
Yoke Frame	16799	16799	16800	16800	16801	16801	16802	16802

Right-Angle Twin Yoke Sheave - 4,000lb Capacity



- 9-13/16" (249 mm) minimum radius
- Strong welded steel yokes
- Forged steel closure type hook with 1" (25.4 mm) opening
- 5" (127 mm) wide aluminum alloy sheave with self-lubricating bearings
- Yokes rotate independently to fit various setups
- Use with any cable puller whose maximum pulling force is 4,000 lbs (17.8 kN) or less

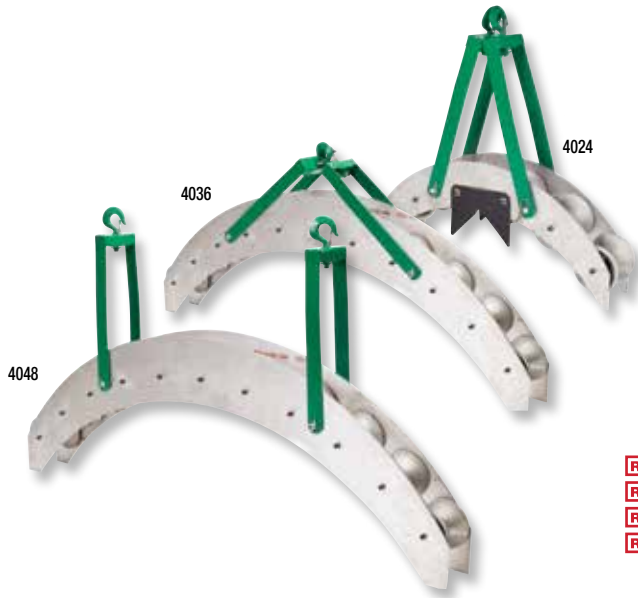
CAT. NO.	UPC NO.	DESCRIPTION
639	17265	Right Angle Twin Yoke Sheave with 9-13/16" (249 mm) min. radius

SPECIFICATIONS

Maximum Rated Capacity	4,000 lbs. (17.8 kN)
Weight	45 lbs. (20.4 kg)

SHEAVE	6036		
DESCRIPTION	CAT. NO.	UPC NO.	QUANTITY
Sheave Pin	17266	17266	1
Sheave	15364	15364	1
Sheave Bushing	16798	16798	2
Yoke Frame	17299	17299	2

Conveyor Sheaves - 4,000lb Capacity



- Aluminum frame with a series of sheaves to form a large radius
- Yokes with cast steel closure-type hooks with a 1" (25.4 mm) opening
- 5" (127 mm) wide aluminum alloy sheaves
- Use with any cable puller whose maximum pulling force is 4,000 lbs (17.8 kN) or less

SPECIFICATIONS

Maximum Pulling Force	4,000 lbs. (17.8 kN)
Weight	4024 - 54 lbs. (24.5 kg) 4036 - 60 lbs. (27 kg) 4048 - 83 lbs. (38 kg)

CAT. NO.	UPC NO.	DESCRIPTION
4024	26368	24" (609.6 mm) Conveyor Sheave with 6 sheave wheels
4036	26369	36" (914.4 mm) Conveyor Sheave with 8 sheave wheels
4048	26370	48" (1219 mm) Conveyor Sheave with 10 sheave wheels
19185	19185	Yoke frame
15362	15362	Sheave w/bearings
19186	19186	Sheave Pin
31573	31573	Sheave Pin

Triple Sheave Cable Guide - 6,500lb Capacity



- Adjustable center sheave for 19-1/2" (495 mm) or 36" (914 mm) radius
- Forged steel closure type hook with 1-1/2" (38.1 mm) opening
- Aluminum frames for light weight
- Steel yoke is pinned for easy removal
- 21-7/8" (555 mm) high, 24" (610 mm) long, 7-3/8" (187 mm) wide with 5" (127 mm) wide sheaves
- Use with any cable puller whose maximum pulling force is 6,500 lbs (28.9 kN) or less

SHEAVE		6036	
DESCRIPTION	CAT. NO.	UPC NO.	QUANTITY
Sheave Axle	31573	31573	3
Sheave Bolt Washer	51434	51434	6
Sheave Pin	29600	29600	1
Sheave Bushing	16798	16798	6
Sheave	15362	15362	3

Sheave Bolt is a 3/8"-24 x 3/4" hex head socket head cap screw (grade 5) and is available at most hardware stores.

SPECIFICATIONS

Maximum Rated Capacity	6,500 lbs. (28.9 kN)
Weight	28 lbs. (12.7 kg)

CAT. NO.	UPC NO.	DESCRIPTION
6036	31569	Triple Sheave Cable Guide

Feeding Sheaves



441-2

- Yoke frame slides into the end of conduit and holds sheave, allowing the cable being fed into the conduit to smoothly roll over the sheave
- 5" (127 mm) wide aluminum alloy sheave with self-lubricating bearings
- Split tube for easy removal after cable is installed
- See the Capacity Table (below)

SPECIFICATIONS

Rated Capacity See Capacity Table Below for details.

Weight	Width of Shaft Opening
441-2 – 9 lbs. (4.5 kg)	441-2 – 1.24"
441-2-1/2 – 11 lbs. (5 kg)	441-2-1/2 – 1.37"
441-3 – 14 lbs. (6.4 kg)	441-3 – 1.79"
441-3-1/2 – 17 lbs. (7.7 kg)	441-3-1/2 – 1.75"
441-4 – 19 lbs. (8.6 kg)	441-4 – 1.99"
441-5 – 26 lbs. (11.8 kg)	441-5 – 2.23"
441-6 – 28 lbs. (12.7 kg)	441-6 – 2.75"

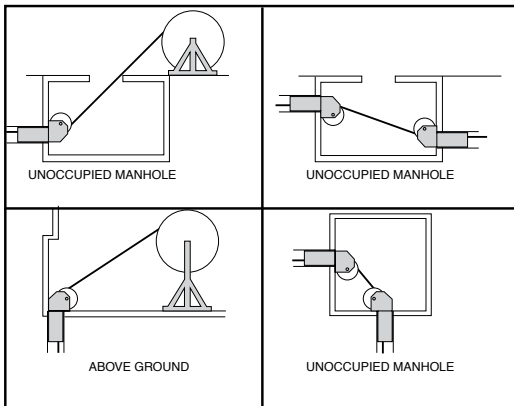
CAT. NO.	UPC NO.	DESCRIPTION
441-2	30183	Feeding Sheave for 2" conduit
441-2-1/2	30358	Feeding Sheave for 2-1/2" conduit
441-3	30188	Feeding Sheave for 3" conduit
441-3-1/2	30363	Feeding Sheave for 3-1/2" conduit
441-4	30347	Feeding Sheave for 4" conduit
441-5	30193	Feeding Sheave for 5" conduit
441-6	13460	Feeding Sheave for 6" conduit



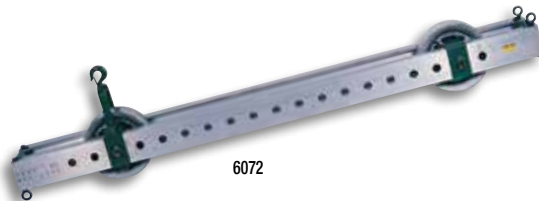
SHEAVE DIAMETER DESCRIPTION	441-2		441-2-1/2		441-3		441-3-1/2		441-4		441-5	
	2" CONDUIT		2-1/2" CONDUIT		3" CONDUIT		3-1/2" CONDUIT		4" CONDUIT		5" CONDUIT	
	CAT. NO.	UPC NO.	CAT. NO.	UPC NO.	CAT. NO.	UPC NO.	CAT. NO.	UPC NO.	CAT. NO.	UPC NO.	CAT. NO.	UPC NO.
Sheave Pin	25160	25160	25160	25160	25160	25160	25160	25160	25160	25160	25160	25160
Sheave	15362	15362	15362	15362	15362	15362	15362	15362	15362	15362	15362	15362

CAPACITY TABLE

ANGLE OF PULL	ANGLE					
	441-2	441-2-1/2	441-3	441-3-1/2	441-4	441-5
15°	1750 lbs.	1900 lbs.	6050 lbs.	6500 lbs.	6500 lbs.	6500 lbs.
	7.7 kN	8.4 kN	26.9 kN	28.9 kN	28.9 kN	28.9 kN
30°	900 lbs.	1000 lbs.	3150 lbs.	5050 lbs.	6500 lbs.	6500 lbs.
	4.0 kN	4.4 kN	14.0 kN	22.4 kN	28.9 kN	28.9 kN
45°	650 lbs.	700 lbs.	2200 lbs.	3550 lbs.	5200 lbs.	6500 lbs.
	2.8 kN	3.1 kN	9.7 kN	15.7 kN	23.1 kN	28.9 kN
60°	500 lbs.	550 lbs.	1800 lbs.	2900 lbs.	4200 lbs.	6000 lbs.
	2.2 kN	2.4 kN	8.0 kN	12.8 kN	18.6 kN	26.6 kN
75°	450 lbs.	500 lbs.	1600 lbs.	2600 lbs.	3650 lbs.	5500 lbs.
	2.0 kN	2.2 kN	7.1 kN	11.5 kN	16.2 kN	24.4 kN
90°	450 lbs.	500 lbs.	1550 lbs.	2500 lbs.	3500 lbs.	5250 lbs.
	2.0 kN	2.2 kN	6.8 kN	11.1 kN	15.5 kN	23.3 kN



Manhole Sheaves for UT2™, Tugger™ and Super Tugger® Cable Pullers



6072

- High-strength aluminum alloy frame for easy setup
- Adjustable, a full range of sheave pin positions over the frame length to accommodate most manhole setups
- 18" (457 mm) diameter aluminum alloy sheaves with 7" (178 mm) minimum radius and 5" (127 mm) width
- Self-lubricating bearings for easier cable pulling

SPECIFICATIONS

Maximum Rated Capacity	6072 - 6,500 lbs. (28.9 kN)
Weight	6072 - 190 lbs. (86.2 kN)

CAT. NO.	UPC NO.	DESCRIPTION
6072	31395	12' (3.7 m) Manhole Sheave

Nylon Cable Protector



488-2

- Fits in the end of conduit to shield the cable from sharp edges as it is being fed through
- Rugged nylon resists abrasion

SPECIFICATIONS

Weight	488-2 - 0.08 lbs. (36 g) 488-3 - 0.2 lbs. (90 g)
---------------	---

CAT. NO.	UPC NO.	DESCRIPTION
488-2	32928	Nylon Cable Protector for 2" and 2-1/2" conduit
488-3	32929	Nylon Cable Protector for 3" - 6" conduit

Cable Guide



489

- Position where cables are being pulled over sharp edges

SPECIFICATIONS

Weight	489 - .5 lbs. (227 g)
Size	13" L x 3-1/4" W x 12" radius

CAT. NO.	UPC NO.	DESCRIPTION
489	32930	Nylon Cable Guide

Light Base Sheave



459

- Mounts directly to existing square light pole bolt patterns
- Slotted mounting holes fit a wide range of bolt circle sizes
- Tall enough to position sheave above most conduits
- Rugged welded steel base structure
- Allows user to install wires into outdoor light bases by pulling horizontally
- Also can be used to feed wires into vertical light base conduit

SPECIFICATIONS

Overall Height	14-1/2" (368 mm)
Weight	18 lbs. (8.2 kg)
Bolt Circle Capability	7.8" (198 mm) to 14.8" (376 mm) diameter
Maximum Mounting Bolt Dia.	1" (25 mm) diameter at 7.8" (198 mm) bolt circle 1-1/2" (38 mm) at 14.8" (376 mm) bolt circle
Pulling Capacity	500 lbs. (227 kg)

CAT. NO.	UPC NO.	DESCRIPTION
459	89800	Light Base Sheave

CABLE TRAY FEEDER AND ACCESSORIES

CTF-200

Cable Pulling



- Quick clamping onto cable, can handle up to 2" (50.8 mm) in outer cable diameter
- 360° swivel pins to easily release cable from all sides with no loose pieces
- Designed specifically to handle electrical cable with 5 grooves to grab cable safely and evenly
- Pre-set to aid up to 200 lbs (90.7 kg) of force to prevent damage to the insulation of the cable
- Quickly adjust legs and feeder into position utilizing no loose pieces
- Safely control feeder up to 8' (2.4 m) away with pendant
- Quick set up utilizing a ratchet strap to safely and securely mount to tray

CAT. NO.	UPC NO.	DESCRIPTION
CTF-200	03644	Cable Tray Feeder

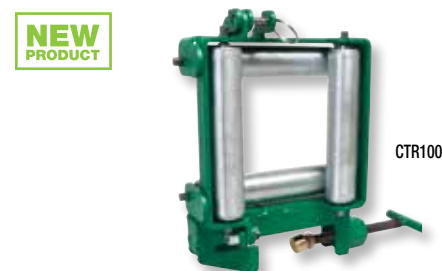
660QA Quick Adjust Sheave Roller



- Quick and easy adjustment of slide leg
- 7X faster setup and disassembly than competition
- 11" to 20" adjustable sliding leg
- Self-lubricated bearings need no maintenance
- Wide edge hook fits on common ladder tray sizes
- One design quickly adjusts to fit common tray configurations
- No loose pieces

CAT. NO.	UPC NO.	DESCRIPTION
N 660QA	02768	Sheave-Tray, Quick Adjust
R N 03471	03471	Sheave Hardware Kit

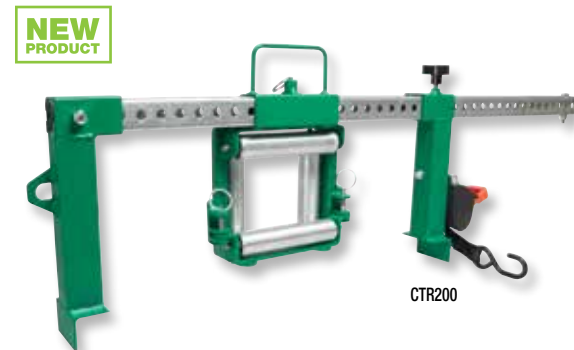
CTR100 Cable Tray Roller



- 2X faster setup and disassembly than competition
- Rated for 100lbs
- Overlapping roller design prevents rope or cable from potential pinch points
- Compact design fits into tight spaces
- Easy cable release with no loose pieces
- Quick adjust push button for faster setup time and disassembly time

CAT. NO.	UPC NO.	DESCRIPTION
N CTR100	02810	Roller, Cable
R N 03472	03472	Roller Replacement Kit
R N 03473	03743	Frame and Pin Kit
R N 03746	03746	Handle Assembly Kit

CTR200 Cable Tray Roller



- Rated for 200lbs (90kg)
- Adjustable leg to fit on tray widths of up to 36" (914.4mm)
- Securely fastens to various types of cable tray rails
- Easy cable release and positioning of roller guide with no loose pieces
- Quickly fastens mounting system to tray with auto retractable ratchet strap
- Roller guide opens from the left to right side allowing the cable release to be easily accessible
- Overlapping roller design prevents rope or cable from potential pinch points

CAT. NO.	UPC NO.	DESCRIPTION
N CTR200	02797	Roller, Cable
R N 03472	03472	Roller Replacement Kit
R N 03473	03473	Frame and Pin Kit
R N 03474	03474	Ratchet Kit

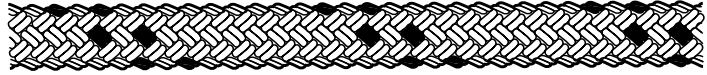
ROPE

Double-Braided Composite Rope for Cable Pullers



35283

- Double-braided inner core with an extra double-braided outer jacket for added strength and less stretch; white with green tracer
- Rot and mildew resistant
- Factory spliced eyes at both ends
- Lowest stretch
- Select a rope with a maximum rated capacity that meets or exceeds the cable puller's maximum pulling force



ROPE DIAMETER	ROPE LENGTH		CAT. NO.	UPC NO.	MAXIMUM RATED CAPACITY		AVERAGE BREAKING STRENGTH		WEIGHT		ROPE STAND
									LBS.	KG	
FOR THE 805 PULLER 3/8" (9.5 mm)	300'	91m	450	23773	1200 lbs.	3.6 kN	3700 lbs.	16.4 kN	14.3	6.5	406
	600'	182m	451	23775	1200 lbs.	3.6 kN	3700 lbs.	16.4 kN	31.0	14.3	644
	1,200'	365m	452	23776	1200 lbs.	3.6 kN	3700 lbs.	16.4 kN	60.0	27.2	644
FOR THE G3 & UT2™ PULLER 1/2" (12.7 mm)	300'	91m	455	23774	2,200 lbs.	8.9 kN	10,000 lbs.	44.4 kN	34	15.4	644
	600'	182m	456	23777	2,200 lbs.	8.9 kN	10,000 lbs.	44.4 kN	75	34	644
FOR THE UT4 & 640 PULLER 9/16" (14.3 mm)	300'	91m	35283	35283	4,000 lbs.	17.8 kN	16,000 lbs.	71.1 kN	28	12.7	644
	600'	182m	35284	35284	4,000 lbs.	17.8 kN	16,000 lbs.	71.1 kN	63	28.6	644
	1,200'	365m	35285	35285	4,000 lbs.	17.8 kN	16,000 lbs.	71.1 kN	130	59	†
FOR THE 6001 & 6501 PULLER 3/4" (19.1 mm)	300'	91m	35098	35098	6,500 lbs.	28.9 kN	26,000 lbs.	115.6 kN	58	26.3	644
	600'	182m	35100	35100	6,500 lbs.	28.9 kN	26,000 lbs.	115.6 kN	113	51.3	654
	1,200"	365m	35101	35101	6,500 lbs.	28.9 kN	26,000 lbs.	115.6 kN	230	104.3	†
FOR THE 6800 (UT8) PULLER & UT10-2S 7/8" (22.2 mm)	300'	91m	34136	34136	8,000 lbs.	35.6 kN	32,000 lbs.	142.3 kN	90	40.8	654
	600'	182m	34137	34137	8,000 lbs.	35.6 kN	32,000 lbs.	142.3 kN	178	80.7	654
	1,200"	365m	34138	34138	8,000 lbs.	35.6 kN	32,000 lbs.	142.3 kN	359	163.3	†

Polypro General Purpose Rope



405 Rope Stand sold separately. See Greenlee Full Line Catalog.

- **Not for cable pulling.** See the ropes listed with cable pullers for recommended cable pulling ropes
- Highly-visible, bright yellow with green tracer, excellent for roping off areas on construction sites
- Rot and mildew resistant
- Weather resistant
- Economical general purpose rope



	ROPE LENGTH		CAT. NO.	UPC NO.	BREAKING STRENGTH		AVERAGE WEIGHT	
							LBS.	KG
3/16" (4.8 mm)	250'	76 m	408	21467	720 lbs.	3.2 kN	3	1.4
	600'	182 m	409	21468	720 lbs.	3.2 kN	6	2.7
1/4" (6.4 mm)	250'	76 m	412	21471	1130 lbs.	5.0 kN	4	1.8
	600'	182 m	413	21472	1130 lbs.	5.0 kN	9	4.1
	1,000'	304 m	414	21474	1130 lbs.	5.0 kN	13	5.9
3/8" (9.5 mm)	250'	76 m	417	21477	2430 lbs.	10.8 kN	9	4.1
	600'	182 m	418	21520	2430 lbs.	10.8 kN	19	8.6
1/2" (12.7 mm)	250'	76 m	421	21480	3780 lbs.	16.8 kN	15	6.8
	600'	182 m	422	21521	3780 lbs.	16.8 kN	35	15.9

SWIVELS & ROPE CONNECTORS

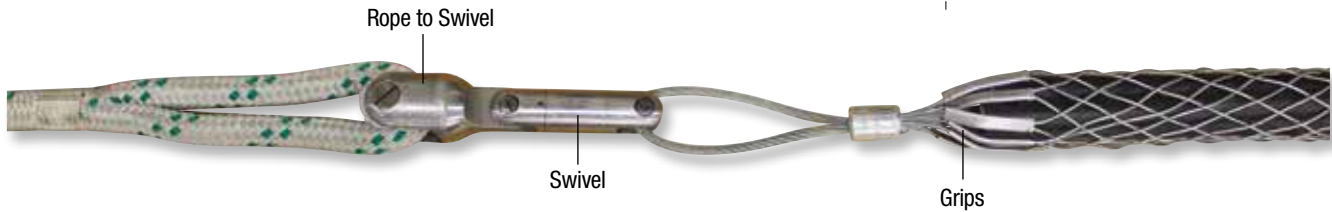
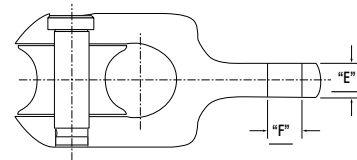
Rope-to-Swivel Connectors



- Rope-to-swivel connectors connect the cable pulling rope up to 1" (254 mm) in diameter, to the pulling swivel
- Makes connecting the pulling rope and the pulling swivel easier
- Connectors feature a removable sheave for rope eye
- Select the connector with a maximum rated capacity that meets or exceeds the cable puller's maximum pulling force

CAT. NO.	UPC NO.	MAX. RATED CAPACITY IN CONDUIT		MAX. RATED CAPACITY OVERHEAD		DIAMETER		LENGTH		"E"		"F"		USE ON SWIVEL
		LBS.	KN	LBS.	KN	IN.	MM	IN.	MM	IN.	MM	IN.	MM	
39905	39905	5,000	22.2	3,000	13.3	2	50.8	4-11/16	119	7/16	11.12	13/32	10.32	39107
39904	39904	7,000	31.1	4,200	18.6	2	50.8	4-11/16	119	1/2	12.7	1/2	12.7	39108
39903	39903	10,000	44.4	6,000	26.6	2	50.8	4-11/16	119	9/16	14.3	5/8	15.9	39109
39902	39902	10,000	44.4	6,000	26.6	2	50.8	4-11/16	119	11/16	17.5	11/16	17.5	39110

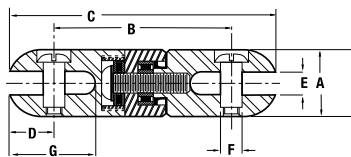
CAT. NO.	UPC NO.	DESCRIPTION
R 39849	39849	Sheave
R 39850	39850	Sheave Pin



Swivels



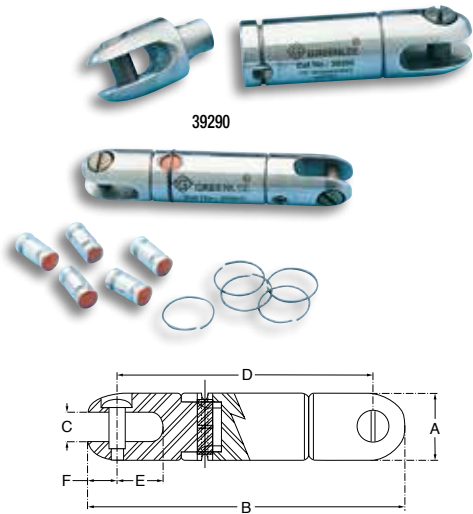
- Helps eliminate winding and tangling of rope and cable during pull
- Connects grip and pulling rope
- All stainless steel body construction
- Efficient thrust and roller bearing construction allows smooth rotation, even under full load
- Clevis pins are "shoulder bolt" style, so load on both sides of clevis is taken on the shoulder, not on the thread
- Select the swivel with a maximum rated capacity that meets or exceeds the cable puller's maximum pulling force



CAT. NO.	UPC NO.	MAXIMUM RATED CAPACITY		A DIAMETER		B	C	D	E	F DIAMETER		G	WEIGHT		REPLACEMENT* PIN KIT UPC NO.					
		LBS.	KN	IN.	MM					IN.	MM		IN.	MM		IN.	MM	LBS.	KG	
39106	39106	2,250	11.1	7/8	22.2	2-5/8	66.7	3-1/2	88.9	7/16	11.1	3/8	9.5	5/16	7.9	31/32	24.6	.4	.16	39112
39107	39107	5,000	22.2	1-1/4	31.8	3-1/16	77.8	4-1/8	104.5	17/32	13.5	1/2	12.7	13/32	10.3	1-9/32	32.5	1.0	.45	39112
39108	39108	7,000	31.1	1-3/8	34.9	3-9/32	83.3	4-17/32	115.1	5/8	15.9	9/16	14.3	1/2	12.7	1-3/8	34.9	1.0	.45	39114
39109	39109	10,000	44.4	1-5/8	41.3	3-15/16	100	5-7/16	138.1	3/4	19.1	5/8	15.9	5/8	15.9	1-23/32	43.7	2.0	.91	39115
39110	39110	15,000	66.7	2	50.8	4-11/16	119.1	6-9/16	166.7	15/16	23.8	3/4	19.1	11/16	17.5	2	50.8	4.0	1.81	39116
39111	39111	25,000	111.2	2-3/8	60.3	5-11/16	144.5	8-7/16	214.3	1-3/16	30.2	1	25.4	7/8	22.2	2-25/32	70.6	7.0	3.18	39117

* Replacement Pin Kits contain two (2) Replacement Pins

Breakaway Swivels



- Acts as a mechanical fuse, breaking away at a preset load to prevent damage to expensive cable
- Breakaway pins can be replaced to change breakaway values

BREAKAWAY PIN KITS

CAT. NO.	UPC NO.	BREAKING POINT LBS.	BREAKING POINT KN	COLOR CODE	USE WITH
39294	39294	200 lbs.	0.9 kN	WHITE	
39295	39295	400 lbs.	1.8 kN	YELLOW	39290
39296	39296	600 lbs.	2.7 kN	ORANGE	5/8" Swivel
39297	39297	675 lbs.	3.0 kN	BLACK	
39302	39302	200 lbs.	0.9 kN	WHITE	
39303	39303	400 lbs.	1.8 kN	YELLOW	39298
39304	39304	600 lbs.	2.7 kN	ORANGE	7/8" Swivel
39306	39306	800 lbs.	3.6 kN	GREY	
39308	39308	1000 lbs.	4.4 kN	RED	

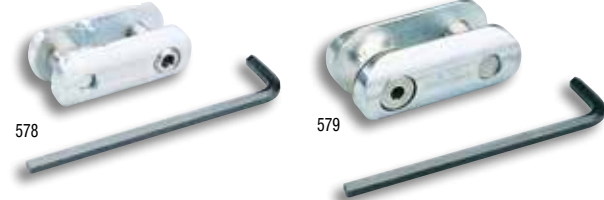
BREAKAWAY SWIVEL BODY ONLY

CAT. NO.	UPC NO.	A		B		C		D		E		F	
		INCH	MM	INCH	MM	INCH	MM	INCH	MM	INCH	MM	INCH	MM
39290	39290	5/8	15.9	3-7/32	81.8	9/32	7.1	2-23/32	69.1	7/16	11.1	1/4	6.4
39298	39298	7/8	22.2	4-7/32	107.2	3/8	9.5	3-11/32	84.9	17/32	13.5	5/16	7.9

Rope Clevis

For forged eye grips

For forged eye grips



For flexible eye grips



- Removable bolt and rope sheave
- Removable grip eye bolt
- Select the clevis with a rating that meets or exceeds the cable puller's maximum pulling force
- Removable sheave for rope eye

CAT. NO.	UPC NO.	DESCRIPTION
578	31910	Rope Clevis
579	31905	Rope Clevis
678	19524	Rope Clevis

SPECIFICATIONS

Maximum Rated Capacity	Weight	Length	Width	Inside Diameter
578 – 6,500 lbs. (28.9 kN)	0.9 lbs. (408 g)	3.0" (76 mm)	1.406" (36 mm)	1.25" (32 mm)
579 – 10,000 lbs. (44.4 kN)	1.3 lbs. (589 g)	3.5" (89 mm)	1.84" (47 mm)	1.5" (38 mm)
678 – 6,500 lbs. (28.9 kN)	1.3 lbs. (589 g)	3.5" (89 mm)	1.75" (44 mm)	0.94" (24 mm)

GRIPS

Gator Grips

- 2 minute set-up
- 6 Grips cover the cable size from 1AWG through 1000 MCM
- 5 different harness lengths to prevent overlap during cable pull
- Use Greenlee EK12IDL or HK12ID to crimp any size without changing dies



CAT. NO.	UPC NO.	DESCRIPTION
GG1-1/0XS	05469	Grip Assy, 1-1/0 Extra Short
GG1-1/0S	05470	Grip Assy, 1-1/0 Short
GG1-1/0M	05471	Grip Assy, 1- 1/0 Medium
GG1-1/0L	05472	Grip Assy, 1- 1/0 Long
GG1-1/0XL	05473	Grip Assy, 1-1/0 Extra Long
GG2/0-4/0XS	05474	Grip Assy, 2/0-4/0 Extra Short
GG2/0-4/0S	05477	Grip Assy, 2/0-4/0 Short
GG2/0-4/0M	05478	Grip Assy, 2/0-4/0 Medium
GG2/0-4/0L	05479	Grip Assy, 2/0-4/0 Long
GG2/0-4/0XL	05480	Grip Assy, 2/0-4/0 Extra Long
GG250-350XS	05502	Grip Assy, 250-350 Extra Short
GG250-350S	05503	Grip Assy, 250-350 Short
GG250-350M	05504	Grip Assy, 250-350 Medium
GG250-350L	05505	Grip Assy, 250-350 Long
GG250-350XL	05506	Grip Assy, 250-350 Extra Long
GG400-500XS	05507	Grip Assy, 400-500 Extra Short
GG400-500S	05508	Grip Assy, 400-500 Short
GG400-500M	05509	Grip Assy, 400-500 Medium
GG400-500L	05510	Grip Assy, 400-500 Long
GG400-500XL	05511	Grip Assy, 400-500 Extra Long
GG600-750XS	05512	Grip Assy, 600-750 Extra Short
GG600-750S	05513	Grip Assy, 600-750 Short
GG600-750M	05514	Grip Assy, 600-750 Medium
GG600-750L	05515	Grip Assy, 600-750 Long
GG600-750XL	05516	Grip Assy, 600-750 Extra Long
GG1000XS	05517	Grip Assy, 1000 Extra Short
GG1000S	05518	Grip Assy, 1000 Short
GG1000M	05521	Grip Assy, 1000 Medium
GG1000L	05522	Grip Assy, 1000 Long
GG1000XL	05523	Grip Assy, 1000 Extra Long

SPECIFICATIONS

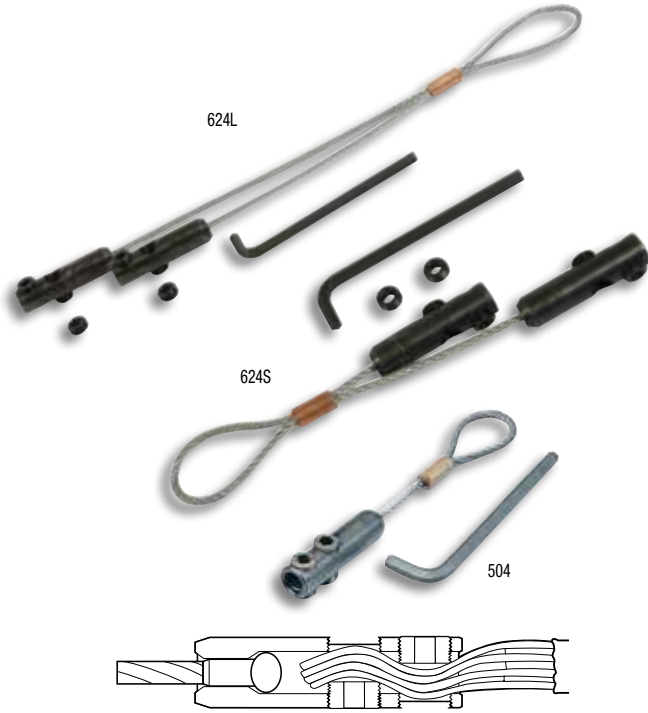
Wire Type	1 AWG – 1000 MCM Copper, Aluminum, Compressed and Compact (CU and AL)
------------------	--

RATED PULLING LOAD FOR REGULAR AND COMPACT STRANDED COPPER CABLE

RATED PULLING LOAD FOR REGULAR AND COMPACT STRANDED ALUMINUM CABLE

GRIP WIRE RANGE	WIRE SIZE	LOAD PER CABLE (LB)	LOAD FOR 3 CABLES (LB)	LOAD FOR 4 CABLES (LB)	LOAD FOR 5 CABLES (LB)	LOAD PER CABLE (LB)	LOAD FOR 3 CABLES (LB)	LOAD FOR 4 CABLES (LB)	LOAD FOR 5 CABLES (LB)	MINIMUM CONDUIT SIZE (IN)
1 TO 1/0	1	1,200	3,600	4,800	6000	500	1500	2000	2500	1-1/4
	1/0	2,000	6,000	8,000	10000	650	1950	2600	3250	1-1/4
	2/0	2,000	6,000	8,000	10000	800	2400	3200	4000	1-1/2
2/0 TO 4/0	3/0	2,000	6,000	8,000	10000	900	2700	3600	4500	2
	4/0	2,000	6,000	8,000	10000	1000	3000	4000	5000	2
	250	2,000	6,000	8,000	8000	1600	4800	6400	8000	2
250-350	300	2,000	6,000	8,000	10000	1700	5100	6800	8500	2-1/2
	350	2,500	7,500	10,000	12500	2200	6600	8800	11000	2-1/2
400-500	400	2,500	7,500	10,000	12500	1900	5700	7600	9500	2-1/2
	500	2,500	7,500	10,000	12500	2500	7500	10000	12500	3
600-750	600	2,500	7,500	10,000	9000	1500	4500	6000	7500	3
	750	3,000	9,000	12,000	15000	2300	6900	9200	11500	3-1/2
1000	1,000	3,000	9,000	12,000	15000	3500	10500	14000	17500	3-1/2

Set Screw Clamp Pulling Grips



Each grip has two opposed set screws that provide positive locking. Openings in wire grip should be 50% filled with wire to assure slip-proof grip.

- Use to pull in 2" (50.8 mm) or larger conduit
- Type of pulls: heavy, long runs (629)
- Type of pull: light and medium(504)
- Type of grip: Flexible eye 1/4" (6.4 mm-629) (6.3 mm-504) diameter galvanized steel aircraft cable connected to 2 cable receptacles with 5/8" (15.9 mm) diameter opening and 2 clamping set screws
- Select pulling grips with a maximum-rated capacity that meets or exceeds the cable puller's maximum pulling force
- Minimum cable diameter is 3/8"

SPECIFICATIONS

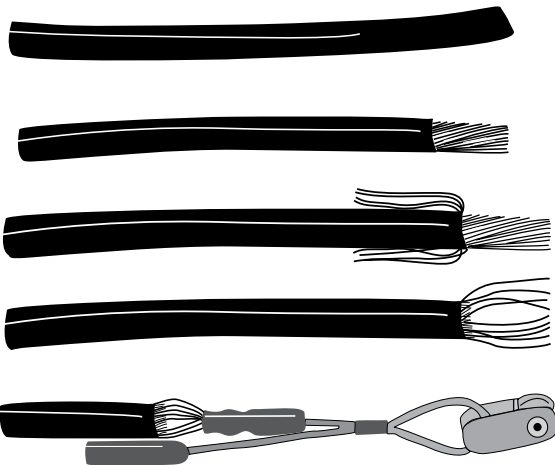
Maximum Rated Capacity	Weight
504 – 1,750 lbs. (28.9 kN)	504 – 5 lbs. (2.3 kg)
629 – 6,500 lbs. (28.9 kN)	629 – 5 lbs. (2.3 kg)
624 – 6,500 lbs. (28.9 kN)	624 – 3.5 lbs. (1.5 kg)
624S – 3,250 lbs. (14.5 kN)	624S – 2 lbs. (.9 kg)
624L – 3,250 lbs. (14.5 kN)	624L – 2.1 lbs. (1 kg)

SPECIFICATIONS

Capacity	1,750 lbs. (7.7 kN)
Weight	1.2 lbs. (.5 kg)
Size	Receptacle - 5/8" (15.9 mm)

CAT. NO.	UPC NO.	DESCRIPTION
504	23665	Set Screw Clamp-Type Pulling Grip
629	31855	Pulling Grip with Clevis includes 624S, 624L and 678 clevis - 4 clamp
624	31908	Pulling Grip includes 624S and 624L - 2 clamp each
624S	31866	Short Pulling Grip - 2 Clamp
624L	31867	Long Pulling Grip - 2 Clamp
R 51208	51208	Grip Allen Wrench
R 52352	52352	Grip Set Screw (2 per clamp), 629 and 624 - 8 for each grip 624L and 624S - 4 for each grip

Cable Preparation Instructions for Set Screw Clamp-Type Pulling Grips



Strip cable approximately 3" (76 mm) of insulation off the end of the cable to be pulled. **NOTE:** The grip head should not be more than 60% filled nor less than 40% filled to assure that the set screw does not project above the surface of the grip body when the set screws are tightened down.

The central core should be clipped away and the outer strands used in the grip head.

Using the Allen Wrench provided, back out the set screws far enough to accommodate the stripped cables.

Insert the bare wire strands into the grip head as far as they will go.

Tighten both set screws in each grip securely against the conductors.

CAUTION: If the set screws extend above the surface of the gripping head, damage to the conduit could result. To prevent this, wrap the head with electrical tape.

Pulling Grip Selection Guide

How to select correct pulling grip:

1. Select the type of grip needed.
2. Select the size of grip needed (see below).
3. Select a grip with maximum rated capacity that meets or exceeds the cable puller's maximum pulling force.

1. SELECT THE TYPE OF GRIP NEEDED.

GRIP TYPE	DESCRIPTION	TYPE OF EYE	SIZE RANGE DIA. INCHES (MM)	MAX. RATED CAPACITY – lbs. (KN)	USE TO PULL
Junior Grips	Single weave galvanized steel mesh	Flexible	.19-1.24 (4.8-31.5)	708 (3.5)	In conduit or tray – Building wire by hand.
Light Duty Grips	Single weave galvanized steel mesh	Flexible	.50-3.99 (12.7-101.3)	2940 (13.1)	In conduit or tray – Light-duty applications, short easy runs.
T-Type Grips	Double weave galvanized steel mesh	Flexible	.50-3.99 (12.7-101.3)	6200 (27.6)	In conduit or tray – Medium-duty applications
K-Type Grips	Double weave galvanized steel mesh	Rotating forged	.50-6.99 (12.7-177.5)	9600 (42.7)	In conduit or tray – Heavy-duty applications, long hard runs.
Multiple Strength Grips	Triple to double to single weave galvanized steel mesh	Rotating forged	.25-3.99 (6.4-101.3)	9600 (42.7)	Overhead transmission lines – Bare or insulated conductors, wire rope.
Slack Grips Rod Closing	Double weave galvanized steel mesh – rod closing – offset eye	Flexible	.50-3.99 (12.7-101.3)	2400 (12.7-101.3)	Where end of conductor is not available. Can be pulled straight only, rod will not flex.

2. SELECT THE SIZE OF GRIP NEEDED.

After determining the type of grip needed, measure the diameter of the cable being pulled. If pulling more than one cable “of the same diameter,” refer to chart below for required grip diameter range. If pulling more than one cable “of different diameters,” bundle cables together, measure the circumference

and refer to the chart on bottom of this page for required grip diameter range. Once the cable diameter or required grip diameter is determined, refer to individual chart for type of grip chosen to locate Catalog/UPC number.

2 CABLES DIA. EACH IN./(MM)	3 CABLES DIA. EACH IN./(MM)	4 CABLES DIA. EACH IN./(MM)	5 CABLES DIA. EACH IN./(MM)	6 & 7 CABLES DIA. EACH IN./(MM)	8 CABLES DIA. EACH IN./(MM)	9 CABLES DIA. EACH IN./(MM)	REQUIRED GRIP DIAMETER IN./(MM)
.30-.38/(7.6-9.7)	.25-.31/(6.4-7.9)	.22-.27/(5.6-6.9)	.19-.24/(4.8-6.1)	.17-.22/(4.3-5.6)	.15-.19/(3.8-6.1)	.14-.18/(3.6-4.6)	.50-.61/(12.7-15.5)
.38-.44/(9.7-11.2)	.31-.36/(7.9-9.1)	.27-.31/(6.9-7.9)	.24-.29/(6.1-7.4)	.22-.26/(5.6-6.6)	.19-.23/(6.1-5.8)	.18-.21/(4.6-5.3)	.62-.74/(15.7-18.8)
.44-.59/(11.2-15.0)	.36-.49/(9.1-12.4)	.31-.42/(7.9-10.7)	.29-.38/(7.4-9.7)	.26-.34/(6.6-8.6)	.23-.31/(5.8-7.9)	.21-.28/(5.3-7.1)	.75-.99/(19.1-25.1)
.59-.75/(15.0-19.1)	.49-.63/(12.4-16.0)	.42-.54/(10.7-13.7)	.38-.48/(9.7-12.2)	.34-.43/(8.6-10.9)	.31-.39/(7.9-9.9)	.28-.35/(7.1-8.9)	1.00-1.24/(25.4-31.5)
.75-.90/(19.1-22.9)	.63-.76/(16.0-19.3)	.54-.65/(13.7-16.5)	.48-.58/(12.2-14.7)	.43-.52/(10.9-13.2)	.39-.46/(9.9-11.7)	.35-.42/(8.9-10.7)	1.25-1.49/(31.8-37.8)
.90-1.07/(22.9-27.2)	.76-.89/(19.3-22.6)	.65-.77/(16.5-19.6)	.58-.67/(14.7-17.0)	.52-.60/(13.2-15.2)	.46-.54/(11.7-13.7)	.42-.49/(10.7-12.4)	1.50-1.74/(38.1-44.2)
1.07-1.22/(27.2-31.0)	.89-1.02/(22.6-25.9)	.77-.88/(19.6-22.4)	.67-.77/(17.0-19.6)	.60-.69/(15.2-17.5)	.54-.62/(13.7-15.7)	.49-.56/(12.4-14.2)	1.75-1.99/(44.5-50.5)
1.22-1.53/(31.0-39.9)	1.02-1.28/(25.9-32.5)	.88-1.10/(22.4-27.9)	.77-.96/(19.6-24.2)	.69-.86/(17.5-21.8)	.62-.77/(15.7-19.6)	.56-.71/(14.2-18.00)	2.00-2.49/(50.8-63.2)
1.53-1.83 / (38.9-46.5)	1.28-1.53/(32.5-38.9)	1.10-1.32/(27.9-33.5)	.96-1.16/(24.2-29.5)	.86-1.03/(21.8-26.2)	.77-.93/(19.6-23.6)	.71-.85/(18.0-21.6)	2.50-2.99/(63.5-75.9)
1.83-2.14/(46.5-54.4)	1.53-1.79/(38.9-45.5)	1.32-1.54/(33.5-39.1)	1.16-1.35/(29.5-34.3)	1.03-1.20/(26.2-30.5)	.93-1.08/(23.6-27.4)	.85-.99/(21.6-25.1)	3.00-3.49/(76.2-88.6)
2.14-2.44 / (54.4-62.0)	1.79-2.05/(45.5-52.0)	1.54-1.76/(39.1-44.7)	1.35-1.54/(34.3-39.1)	1.20-1.37/(30.5-34.8)	1.08-1.24/(27.4-31.5)	.99-1.13/(25.1-28.7)	3.50-3.99/(88.9-101.3)
2.44-2.75/(62.0-69.9)	2.05-2.30/(52.0-58.4)	1.76-1.98/(44.7-50.3)	1.54-1.74/(39.1-44.2)	1.37-1.55/(34.8-39.4)	1.24-1.39/(31.5-35.3)	1.13-1.27/(28.7-32.3)	4.00-4.49/(101.6-114.0)
2.75-3.06/(69.9-77.7)	2.30-2.56/(58.4-65.0)	1.98-2.20/(50.3-55.9)	1.74-1.93/(44.2-49.0)	1.55-1.72/(39.4-43.7)	1.39-1.55/(35.3-39.4)	1.27-1.41/(32.3-35.8)	4.50-4.99/(114.3-126.7)

* Split grips require the next larger size.

MEASURE THE CIRCUMFERENCE OF THE WIRE BUNDLE

CIRCUMFERENCE RANGE INCH	MM	REQUIRED GRIP DIAMETER INCH	MM
1.57- 1.95	39.9- 49.5	.50- .61	12.7- 15.5
1.95- 2.36	49.5- 59.9	.62- .74	15.8- 18.8
2.36- 3.14	59.9- 79.8	.75- .99	19.1- 25.1
3.14- 3.93	79.8- 99.8	1.00- 1.24	25.4- 31.5
3.93- 4.71	99.8- 119.6	1.25- 1.49	31.8- 37.8
4.71- 5.50	119.6- 139.7	1.50- 1.74	38.1- 44.2
5.50- 6.28	139.7- 159.5	1.75- 1.99	44.5- 50.5
6.28- 7.85	159.5- 199.4	2.00- 2.49	50.8- 63.2
7.85- 9.42	199.4- 239.3	2.50- 2.99	63.5- 75.9
9.42- 11.00	239.3- 279.4	3.00- 3.49	76.2- 88.6
11.00- 12.57	279.4- 319.3	3.50- 3.99	88.9- 101.3
12.57- 14.14	319.3- 359.2	4.00- 4.49	101.6- 114.0
14.14- 15.71	359.2- 399.0	4.50- 4.99	114.3- 126.7

Rope is a very critical link in the cable pulling system. See page 106 for proper pulling rope selection.

Basket-Type Pulling Grip Sets



SPECIFICATIONS

Capacity	30758 - (2) #14 to 4-1/0, .25" - 1.24" (6.4 - 31.5 mm) diameter
	597 - 3-1/0 to 250 MCM, .75" - 1.99" (1.9 - 50.5 mm) diameter
	598 - 3-350 MCM to 3-750 MCM, 1.50" - 2.99" (38.1 - 75.9 mm) diameter
	599 - 3-1/0 to 3-750 MCM, .75" - 2.99" (1.9 - 75.9 mm) diameter
Weight	30758 - 1.2 lbs. (.5 kg) 597 - 6 lbs. (2.7 kg)
	598 - 9.9 lbs. (4.5 kg) 599 - 13 lbs. (5.9 kg)

- Handy set gives you the size range you need
- Have the correct grip on the job and save time

CAT. NO.	UPC NO.	DESCRIPTION
30758	30758	Building Wire Junior Grip Set - diameter range .25" - 1.24" (6.4 - 31.5 mm). Consists of 30588, 30590, 30592, and 30594, 30584, 30586.
597	31482	T-Type Grip Set - diameter range .75" - 1.99" (19 - 50.5 mm). Consists of 30576, 30578, and 31010.
598	31483	T-Type Grip Set - diameter range 1.50" - 2.99" (38.1 - 75.9 mm). Consists of 31010, 30580 and 31012.
599	31484	T-Type Grip Set - diameter range .75" - 2.99" (19 - 75.9 mm). Consists of 30576, 30578, 31010, 30580 and 31012.

Junior Basket-Type Pulling Grips



- Use to pull in: conduit or tray
- Type of pulls: building wire manually
- Type of grip: single weave galvanized steel mesh with flexible pulling eye
- Select the grip with a maximum rated capacity that meets or exceeds the cable puller's maximum pulling force

CAT. NO.	UPC NO.	CABLE DIAMETER RANGE		MAXIMUM RATED CAPACITY		EYE LENGTH		MESH LENGTH	
		INCH	MM	LBS.	KN	INCH	MM	INCH	MM
30596	30596	.19 - .24	4.8 - 6.1	80	.3	3-1/4	82.6	4-1/4	108
30584	30584	.25 - .36	6.2 - 9.1	90	.4	3-1/4	82.6	4-1/4	108
30586	30586	.37 - .49	9.2 - 12.6	180	.8	3-3/4	95.3	7	177.8
30588	30588	.50 - .61	12.7 - 15.50	260	1.1	4-1/4	108	8-1/2	215.9
30590	30590	.62 - .74	15.6 - 18.9	390	1.7	5	127	10	254
30592	30592	.75 - .99	19 - 25.3	560	2.4	5-3/4	146	10	254
30594	30594	1.00 - 1.24	25.4 - 31.5	780	3.4	6-1/2	165.1	11-1/2	292.1

Light-Duty Basket-Type Pulling Grips



- Use to pull in: conduit or tray
- Type of pulls: light-duty, short, easy runs
- Type of grip: single weave galvanized steel mesh with flexible pulling eye
- Select the grip with a maximum rated capacity that meets or exceeds the cable puller's maximum pulling force

CAT. NO.	UPC NO.	CABLE DIAMETER RANGE		MAXIMUM RATED CAPACITY		EYE LENGTH		MESH LENGTH	
		INCH	MM	LBS.	KN	INCH	MM	INCH	MM
30536	30536	.50 - .61	12.7 - 15.5	560	2.5	5	127	16	406.4
30538	30538	.62 - .74	15.6 - 18.9	560	2.5	5	127	16	406.4
30540	30540	.75 - .99	19.0 - 25.3	800	3.5	6	152.4	20	508
30542	30542	1.00 - 1.24	25.4 - 31.5	1360	6	7	177.8	20	508
30544	30544	1.25 - 1.49	31.6 - 38	1360	6	7	177.8	21	533.4
30546	30546	1.50 - 1.99	38.1 - 50.7	1360	6	8	203.2	23	584.2
30548	30548	2.00 - 2.49	50.8 - 63.4	1700	7.5	9	228.6	25	635
30550	30550	2.50 - 2.99	63.5 - 76.1	2120	9.4	9	228.6	27	685.8
30552	30552	3.00 - 3.49	76.2 - 88.8	2940	13	10	254	30	762
30554	30554	3.50 - 3.99	88.9 - 101.3	2940	13	10	254	32	812.8

Rope is a very critical link in the cable pulling system. See page 106 for proper pulling rope selection.

T-Basket-Type Pulling Grips



- Use to pull in: conduit or tray
- Type of pulls: medium-duty
- Type of grip: double weave galvanized steel mesh with flexible pulling eye
- Select the grip with a maximum rated capacity that meets or exceeds the cable puller's maximum pulling force

CAT. NO.	UPC NO.	CABLE DIAMETER RANGE		MAXIMUM RATED CAPACITY		EYE LENGTH		MESH LENGTH		
		INCH	MM	LBS.	KN	INCH	MM	INCH	MM	
SHORT										
30558	30558	.50 - .61	12.7 - 15.5	900	4	8	203.2	21	533.4	
30560	30560	.62 - .74	15.6 - 18.9	1120	4.9	8	203.2	24	610	
30562	30562	.75 - .99	19.0 - 25.3	1360	6	9	228.6	24	610	
30564	30564	1.00 - 1.49	25.4 - 38.0	1920	8.7	9	228.6	24	610	
30566	30566	1.50 - 1.99	38.1 - 50.7	3280	14.5	11	279.4	24	610	
30568	30568	2.00 - 2.49	50.8 - 63.3	3700	16.4	12	304.8	24	610	
30570	30570	2.50 - 2.99	63.5 - 76.1	4900	21.7	12	304.8	24	610	
30572	30572	3.00 - 3.49	76.2 - 88.8	4900	21.7	14	355.6	24	610	
30574	30574	3.50 - 3.99	88.9 - 101.3	6200	27.5	14	355.6	26	660.4	
STANDARD										
30576	30576	.75 - .99	19.0 - 25.3	1360	6	9	228.6	36	914.4	
30578	30578	1.00 - 1.49	25.4 - 38.0	1920	8.7	9	228.6	36	914.4	
31010	31010	1.50 - 1.99	38.1 - 50.7	3280	14.5	11	279.4	36	914.4	
30580	30580	2.00 - 2.49	50.8 - 63.3	3700	16.4	12	304.8	36	914.4	
31012	31012	2.50 - 2.99	63.5 - 76.1	4900	21.7	12	304.8	36	914.4	
30582	30582	3.00 - 3.49	76.2 - 88.8	4900	21.7	14	355.6	36	914.4	
31014	31014	3.50 - 3.99	88.9 - 101.3	6200	27.5	14	355.6	40	1016	

K Basket-Type Pulling Grips



- Use to pull in: conduit or tray
- Type of pulls: heavy-duty, long, hard runs
- Type of grip: double-weave galvanized steel mesh with forged steel swivel eye
- Select the grip with a maximum rated capacity that meets or exceeds the cable puller's maximum pulling force

CAT. NO.	UPC NO.	CABLE DIAMETER RANGE		MAXIMUM RATED CAPACITY		EYE LENGTH		MESH LENGTH		ROTATING EYE DIA.	
		INCH	MM	LBS.	KN	INCH	MM	INCH	MM	INCH	MM
STANDARD											
30442	30442	.50 - .61	12.7 - 15.5	1120	4.9	5	127	16	406.4	7/8	22.2
30998	30998	.62 - .74	15.6 - 18.9	1360	6	5	127	16	406.4	7/8	22.2
30460	30460	.75 - .99	19.0 - 25.3	1920	8.5	6	152.4	32	812.8	1	25.4
31000	31000	1.00 - 1.49	25.4 - 38.0	3280	14.5	7	177.8	33	838.2	1-3/8	34.9
30462	30462	1.50 - 1.99	38.1 - 50.7	3280	14.5	7	177.8	34	863.6	1-3/8	34.9
31002	31002	2.00 - 2.49	50.8 - 63.3	5440	24.1	9	228.6	36	914.4	1-5/8	41.2
30464	30464	2.50 - 2.99	63.5 - 76.1	6600	29.3	10	254	38	965.2	1-7/8	47.6
31004	31004	3.00 - 3.49	76.2 - 88.8	8200	36.5	10	254	39	990.6	1-7/8	47.6
30466	30466	3.50 - 3.99	88.9 - 101.5	9600	42.7	10	254	41	1041.4	1-7/8	47.6
31006	31006	4.00 - 4.49	101.6 - 114.2	9600	42.7	10	254	42	1066.8	1-7/8	47.6
30468	30468	4.50 - 4.99	114.3 - 126	9600	42.7	10	254	58	1473.2	1-7/8	47.6
30470	30470	5.00 - 5.99	127 - 152.3	9600	42.7	10	254	60	1524	1-7/8	47.6

Rope is a very critical link in the cable pulling system. See page 106 for proper pulling rope selection.

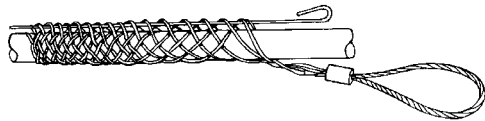
Multiple Strength Basket-Type Pulling Grips with Rotating Forged Eye



- Use to pull overhead transmission lines, bare or insulated conductors and wire rope
- Type of pulls: heavy-duty, long distance
- Triple, to double, to single weave galvanized steel mesh with forged steel swivel eye
- Color coded for easy size identification
- Select the grip with a maximum rated capacity that meets or exceeds the cable puller's maximum pulling force

CAT. NO.	UPC NO.	CABLE DIAMETER RANGE		MAXIMUM RATED CAPACITY		COLOR CODE	EYE LENGTH		MESH LENGTH		ROTATING EYE DIAMETER	
		INCH	MM	LBS.	KN		INCH	MM	INCH	MM	INCH	MM
30474	30474	.25 - .49	12.7 - 15.5	1360	6	Dark Green	5	127	26	660.4	7/8	22.3
30476	30476	.50 - .74	15.6 - 18.9	2000	8.8	Brown	6	152.4	32	812.8	1	25.4
30478	30478	.75 - .99	19.0 - 25.3	2880	12.8	Light Blue	6	152.4	41	1041.4	1	25.4
30480	30480	1.00 - 1.24	25.4 - 31.5	4920	21.8	Gold	8	203.2	52	1320.8	1-3/8	34.9
30482	30482	1.25 - 1.49	31.6 - 38.0	6120	27.2	Black	8	203.2	56	1422.4	1-5/8	41.2
30484	30484	1.50 - 1.74	38.1 - 44.3	6120	27.2	Red	9	228.6	60	1524.0	1-7/8	47.6
30486	30486	1.75 - 2.24	44.4 - 56.9	9600	42.7	Dark Blue	10	254	70	1778.0	1-7/8	47.6
30502	30502	2.00 - 2.49	50.8 - 63.4	9600	42.7	Yellow	10	254	50	1270	1-7/8	47.6
30504	30504	2.50 - 2.99	63.5 - 76.1	9600	42.7	Orange	10	254	52	1320.8	1-7/8	47.6
30506	30506	3.00 - 3.49	76.2 - 88.8	9600	42.7	Aluminum	10	254	54	1371.6	1-7/8	47.6
30508	30508	3.50 - 3.99	88.9 - 101.3	9600	42.7	Light Green	10	254	56	1422.4	1-7/8	47.6

Split Mesh Rod Closing Basket-Type Slack Pulling Grips



- Use to pull when the end of the conductor is not available
- Type of pulls: light and straight. (The rod will not flex around bends)
- Single weave galvanized steel mesh with rod closing and an offset flexible eye
- Select the grip with a maximum rated capacity that meets or exceeds the cable puller's maximum pulling force

CAT. NO.	UPC NO.	CABLE DIAMETER RANGE		MAXIMUM RATED CAPACITY		EYE LENGTH		MESH LENGTH	
		INCH	MM	LBS.	KN	INCH	MM	INCH	MM
30658	30658	.50 - .61	12.7 - 15.50	300	1.3	7	177.8	6	152.4
31024	31024	.62 - .74	15.6 - 18.9	360	1.6	7	177.8	8	203.2
30660	30660	.75 - .99	19 - 25.3	440	1.9	7	177.8	10	254
31026	31026	1.00 - 1.24	25.4 - 31.5	680	3	8	203.2	12	304.8
30662	30662	1.25 - 1.49	31.6 - 38.0	900	4	8	203.2	14	355.6
31028	31028	1.50 - 1.74	38.1 - 44.3	1160	5.1	9	228.6	15	381
30664	30664	1.75 - 1.99	44.4 - 50.7	1520	6.7	10	254	16	406.4
31030	31030	2.00 - 2.49	50.8 - 63.4	1800	8	10	254	19	482.6
30666	30666	2.50 - 2.99	63.5 - 76.1	2200	9.7	10	254	20	508
31032	31032	3.00 - 3.49	76.2 - 88.8	2400	10.6	12	304.8	21	533.4
30668	30668	3.50 - 3.99	88.9 - 101.3	2400	10.6	12	304.8	24	610

Rope is a very critical link in the cable pulling system. See page 106 for proper pulling rope selection.

Cable Pulling Lubricant Selection Guide



APPLICATION

	Clear Lube™	Cable-Cream™	Cable-Gel™	Winter-Gel™
	Electrical or datacom use. Clear and colorless for easy cleanup.	Electrical use. Heavy Duty lubricant adheres well to cable without messy dripping.	Electrical or datacom use. Cleans up quickly, non-staining. Can be applied by hand or pump.	Electrical or datacom use. Cleans up quickly, non-staining. Can be applied by hand or pump.
Application Temperature Range (°F)	20°F - 190°F	20°F - 190°F	20°F - 190°F	20°F - 190°F
Application Temperature Range (°C)	-6°C - 88°C	-6°C - 88°C	-6°C - 88°C	-6°C - 88°C
Minimum Storage Temperature	30° F/-1 C	30° F/-1 C	30° F/-1 C	30° F/-1 C
Base	Polymer	Wax	Polymer	Polymer
Average Coefficient of Friction*	0.26	0.11	0.18	0.21
Color	Clear	Yellow	Blue/Green	Blue

COMPATABILITY (CABLE TYPE)

	Clear Lube™	Cable-Cream™	Cable-Gel™	Winter-Gel™
Rubber	✓	✓	✓	✓
Neoprene	✓	✓	✓	✓
Nylon	✓	✓	✓	✓
PVC	✓	✓	✓	✓
High-density or cross linked polyethylene	✓	✓	✓	✓
Low-density polyethylene	✓	✓	✓	✓
Semiconducting jacket	✓	✓	✓	✓
Hypalon	✓	✓	✓	✓

*(IEEE 375-2 test procedure) kinetic coefficient of friction tested at 300 lb/ft sidewall bearing pressure

Cable Lubricant Quantity Chart

The following equation is a general guideline to determine the amount of cable lubricant to use for an average cable pull.

$$Q = 0.0015 \times L \times D$$

Where:

Q = Quantity of cable lubricant to use in gallons

L = Length of cable pull in feet

D = Diameter of conduit or duct in inches

If the following situations apply, consider using additional lubricant:

- The cable jacket is hard and/or cable is very stiff
- The conduit is rough or dirty
- There are many bends to pull through
- The percentage of conduit filled by the cable is unusually high
- The conduit is water filled

SPECIFICATIONS

Pull Length	1"	2"	3"	4"
200'	0.3 gal.	0.6 gal.	0.9 gal.	1.2 gal.
300'	0.5 gal.	0.9 gal.	1.4 gal.	1.8 gal.
400'	0.6 gal.	1.2 gal.	1.8 gal.	2.4 gal.
600'	0.9 gal.	1.8 gal.	2.7 gal.	3.6 gal.
800'	1.2 gal.	2.4 gal.	3.6 gal.	4.8 gal.
1000'	1.5 gal.	3.0 gal.	4.5 gal.	6.0 gal.

Cable-Cream™ Cable Pulling Lubricant



- Advanced formula, light yellow cream makes pulling faster and easier
- Compatible with all cable insulation types
- Dries slowly to a thin, non-conductive, non-hardening residue
- Adheres well to the cable without messy dripping and reduces waste
- Non-staining and cleans up quickly
- Won't break down or separate after exposure to freezing cold or blistering heat
- Environmentally safe/non-hazardous

SPECIFICATIONS

Weight	CRM-Q - 2.3 lbs. (1 kg) CRM-5 - 42 lbs. (19.1 kg) CRM-1 - 9.5 lbs. (4.3 kg)
Viscosity	30,000 - 45,000 CPS
PH Range	7.0 - 8.0
Average COF	0.11

CAT. NO.	UPC NO.	DESCRIPTION
CRM-Q	35207	Cable-Cream One Quart Squeeze Bottle (.95 l)
CRM-1	35208	Cable-Cream One Gallon (3.79 l)
CRM-5	35209	Cable-Cream 5 Gallons (18.93 l)

Cable-Gel™ Cable Pulling Lubricant



- Polymer-based, no silicon lubricant offers lower friction and easier pulling
- Compatible with all cable insulation types
- Non-staining and cleans up quickly
- Higher lubricity than competitive products
- Will not cement itself to the pipe
- Dries slowly
- Can be applied by hand or pump
- Will not break down or separate after exposure to heat or cold
- Environmentally safe/non-hazardous

SPECIFICATIONS

Weight	GEL-Q - 2.3 lbs. (1 kg) GEL-1 - 8.5 lbs. (3.9 kg) GEL-5 - 45 lbs. (20.4 kg) GEL-55 - 498 lbs. (225.9 kg)
Viscosity	8,000 - 12,000 CPS
PH Range	7.0 - 8.0
Average COF	0.18

CAT. NO.	UPC NO.	DESCRIPTION
GEL-Q	35211	Cable-Gel One Quart Squeeze Bottle (.95 l)
GEL-1	35212	Cable-Gel One Gallon (3.79 l)
GEL-5	35213	Cable-Gel 5 Gallons (18.93 l)

Winter-Gel™ Cable Pulling Lubricant



- Winter-Gel will not freeze until -25° F (-31° C)
- Reduces friction for easy pulling
- Compatible with all cable insulation types
- Cleans up quickly and easily
- High lubricity
- Can be used all year long
- Environmentally safe

SPECIFICATIONS

Weight	WGEL-Q - 2.3 lbs. (1 kg) WGEL-1 - 9 lbs. (4.1 kg) WGEL-5 - 44 lbs. (20 kg)
Viscosity	10,000 - 14,000 CPS
PH Range	7.0 - 8.0
Average COF	0.21

CAT. NO.	UPC NO.	DESCRIPTION
WGEL-Q	35215	Winter-Gel Pulling Lube One Quart Squeeze Bottle (.95 l)
WGEL-1	35216	Winter-Gel Pulling Lube One Gallon (3.79 l)
WGEL-5	35217	Winter-Gel Pulling Lube 5 Gallons (18.93 l)

Clear Lube™



- Designed for use within electrical or datacom cable pulls
- Clear and colorless for quick, easy clean-up
- Environmentally safe, non-hazardous, non-toxic and non-corrosive
- Easy to apply either by hand, brush or pump
- Polymer base with no silicon additives
- Three-year shelf life with no deterioration in lubricant

CAT. NO.	UPC NO.	DESCRIPTION
CLR-Q	10437	Clear Lube pulling lubricant, 1 quart (.95 l)
CLR-1	10438	Clear Lube pulling lubricant, 1 gallon (3.79 l)
CLR-5	10439	Clear Lube pulling lubricant, 5 gallon (18.93 l)

SPECIFICATIONS

Weight	CLR-Q - 2.3 lbs. (1.0 kg)
	CLR-1 - 7.6 lbs. (3.5 kg)
	CLR-5 - 44.8 lbs. (20.4 kg)
Viscosity	10,000 - 20,000 CPS
PH Range	6.0 - 8.0
Average COF	0.26

SWABS, BRUSHES, MANDRELS

Lube Spreader Swab



- Spreads a coat of wire lubricant in duct before installation of cable
- Cleans mud, dirt, and light debris from duct before pulling
- Tapered shape permits bi-directional use
- Will not damage inner walls of duct

CAT. NO.	UPC NO.	DUCT SIZE		MAXIMUM DISK SIZE		MAXIMUM RATED CAPACITY		WEIGHT	
		INCH	MM	INCH	MM	LBS.	KN	LBS.	KG
16854	16854	2	50.8	1.75	44.5	4800	21.3	.5	.23
16856	16856	2.5	63.5	2.25	57.2	4800	21.3	.6	.27
16857	16857	3	76.2	2.75	69.9	4800	21.3	1.5	.68
16858	16858	3.5	88.9	3.25	82.6	4800	21.3	2.0	.91
16859	16859	4	102	3.75	95.3	4800	21.3	2.5	1.13
17370	17370	5	127	4.75	120.7	4800	21.3	3.5	1.59
17571	17571	6	152	5.75	146.1	4800	21.3	4.0	1.81

Wire Duct Brush

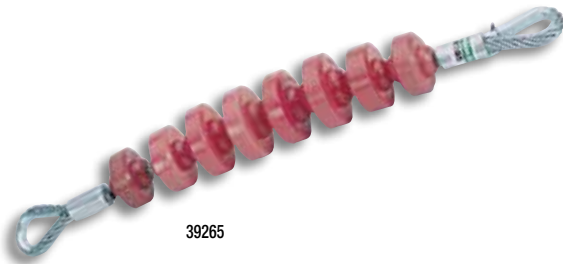


39280

- Flat steel bristles for maximum cleaning of sand, grit and light obstructions from duct
- Pulling eye on one end and smaller twisted eye on the other end for tailing line allows bi-directional use
- Can be pulled to loosen dried material before using mandrels or spreader swabs

CAT. NO.	UPC NO.	DUCT SIZE		MAXIMUM DIAMETER		MAXIMUM RATED CAPACITY		WEIGHT	
		INCH	MM	INCH	MM	LBS.	KN	LBS.	KG
39274	39274	2	50.8	1.87	47.5	200	.89	.83	.38
39276	39276	2.5	63.5	2.38	60.5	200	.89	.83	.38
39278	39278	3	76.2	2.87	72.9	200	.89	.83	.38
39280	39280	3.5	88.9	3.38	85.9	200	.89	.90	.41
39282	39282	4	102	3.87	98.3	200	.89	.95	.43
39284	39284	5	127	4.87	123.7	200	.89	1.15	.52
39286	39286	6	152	5.87	149.1	200	.89	1.28	.58

Flexible Mandrel



39265

- Useful for cleaning out mud, dirt, and light obstacles from ducts before installation of cable
- Can be used around tight bends due to convex contacts between disks
- Tapered profile allows pulling in either direction
- Pulling eyes on both ends
- Polyurethane disks do not damage inner walls of duct

CAT. NO.	UPC NO.	DUCT SIZE		MAXIMUM DISK SIZE		MAXIMUM RATED CAPACITY		WEIGHT	
		INCH	MM	INCH	MM	LBS.	KN	LBS.	KG
39265	39265	2	50.8	1.88	47.7	2330	10.3	1	.45
39263	39263	2.5	63.5	2.19	55.6	2330	10.3	1	.45
39261	39261	3	76.2	2.81	71.4	2330	10.3	1.5	.68
39259	39259	3.5	88.9	3.25	82.5	4800	21.3	3.5	1.59
39257	39257	4	102	3.75	95.3	4800	21.3	4.5	2.04
39255	39255	5	127	4.69	119.1	4800	21.3	6	2.72
39288	39288	6	152	5.81	147.5	4800	21.3	8.5	3.85

Bending Selection Guide

RIGID	PG. NO.	1/2"	3/4"	1"	1-1/4"	1-1/2"	2"	2-1/2"	3"	3-1/2"	4"	5"	6"	
Electric Benders	120	█												
Hydraulic Benders	127	█												

EMT	PG. NO.	1/2"	3/4"	1"	1-1/4"	1-1/2"	2"	2-1/2"	3"	3-1/2"	4"	5"	6"	
Electric Benders	120	█												
Hydraulic Benders	127				█									

IMC	PG. NO.	1/2"	3/4"	1"	1-1/4"	1-1/2"	2"	2-1/2"	3"	3-1/2"	4"	5"	6"	
Electric Benders	120	█												
Hydraulic Benders	127				█									

PVC COATED RIGID	PG. NO.	1/2"	3/4"	1"	1-1/4"	1-1/2"	2"	2-1/2"	3"	3-1/2"	4"	5"	6"	
Electric Benders	120	█												
Hydraulic Benders	127				█									

PVC CONDUIT	PG. NO.	1/2"	3/4"	1"	1-1/4"	1-1/2"	2"	2-1/2"	3"	3-1/2"	4"	5"	6"
PVC Heaters & Blankets	134-135	█											

*1818, 1818R, 555C, 555CX, 555DX can also bend Stainless Steel Rigid conduit in the same size conduit ranges as steel Rigid conduit using the Rigid shoe group.

† For Stainless Steel EMT conduit bending 855GX can bend 1"-2"; 555C, 555CX, 555DX can bend 1/2", 3/4" & 1-1/2"; and 1818 & 1818T can bend 3/4" & 1" with respective EMT shoe groups.

ELECTRIC BENDERS

Intellibender® Electric Conduit Bender



855GX



A PRODUCT VIDEO IS AVAILABLE. SCAN THIS QR CODE OR VISIT:
www.youtube.com/GreenleeDEMO



Switching the 855GX between vertical and horizontal bending configurations is simple and can be done in seconds with its unique pivoting cylinder.

- The 855GX is Greenlee's most advanced programmable bender

SIMPLE. READY TO BEND IN 2 STEPS



1 ORIENT SHOES 2 SELECT ANGLE → BEND

PRODUCTIVE. 4X FASTER SETUP¹

ACCURATE. LESS SCRAP & REWORK

Type of Conduit	Every 100 Pieces Not Scrapped ²
2" Rigid	\$4382.80
2" EMT	\$1674.00

RELIABLE. MORE UPTIME TO BEND³

SPECIFICATIONS

Amperage Rating	20 AMP GFCI-Protected Receptacle
Power Source	120 VAC
Capacity	3/4" - 2" Rigid, 1" - 2" EMT/IMC Conduit
Weight	532 lbs.

CAT. NO.	UPC NO.	DESCRIPTION
855GX	12579	Bender, Electric Conduit - Programmable (120 VAC, 20A)
12582	12582	Shoe Group, 1/2" - 2" PVC Coated Rigid (855GX)

CAT. NO.	SHOE GROUP	855GX
12582	1/2" - 2" PVC Coated	✓

855GX BENDING RADII

CONDUIT SIZE	CONDUIT TYPE	INCHES	MM
1"	EMT	7	177.8
1-1/4"	EMT	8-13/16	223.8
1-1/2"	EMT	8-3/8	212.7
2"	EMT	9-1/4	235.0
3/4"	Rigid ⁴	6-13/16	173.0
1"	IMC/Rigid	6-15/16	176.2
1-1/4"	IMC/Rigid	8-3/16	208.0
1-1/2"	IMC/Rigid	8-1/4	209.6
2"	IMC/Rigid	9	228.6
1/2"	PVC Coated	4-1/2	108.0
3/4"	PVC Coated	5-7/16	138.1
1"	PVC Coated	6-15/16	176.2
1-1/4"	PVC Coated	8-3/4	222.3
1-1/2"	PVC Coated	8-1/4	209.6
2"	PVC Coated	9	228.6

¹Speed claims based on timed 4-bend saddle comparisons between the 855GX and other similar benders.

²Claims based on list price of 10' long EMT and Rigid conduit.

³Solid-state electronics system rated for 1,000,000+ bends.

⁴Using 1" IMC/Rigid groove to bend 3/4" Rigid

854DX Electric Bender

NEW
PRODUCT



854DX



VERSATILE.
1 SHOE BENDS 1/2" TO 2"
EMT, IMC AND RIGID CONDUIT

- Simple switching between vertical and horizontal bending configurations



ACCURATE.
ABSOLUTE ENCODER STOPS
BENDING AT PRECISE ANGLES

- Digital pendant sets angle and monitors process



RELIABLE.
SOLID STATE ELECTRONICS RATED
FOR 1,000,000+ BENDS

- Solid state system eliminates arcing and prevents damage from temporary power loss



A PRODUCT VIDEO IS
AVAILABLE, SCAN THIS QR
CODE OR VISIT:
www.youtube.com/GreenleeDEMO

SPECIFICATIONS

Capacity	1/2" - 2" Rigid / EMT / IMC / PVC Coated
Power Source	120 VAC, 20 amp GFCI
Weight	550 LBS



SG4-854

CAT NO.	UPC NO.	DESCRIPTION
854DX	02670	854DX Electric Bender
02840	02840	Shoe Group, 1/2" - 2" PVC Coated Rigid
SG4-854	04034	Shotgun Shoe for 854DX

854DX BENDING RADII

CONDUIT SIZE	CONDUIT TYPE	INCHES	MM
1/2"	EMT	4-5/16	109.5
3/4"	EMT	5-1/2	139.7
1"	EMT	7	177.8
1-1/4"	EMT	8-1/4	209.6
1-1/2"	EMT	8-3/8	212.7
2"	EMT	9-1/4	235.0
1/2"	IMC/Rigid	4-1/4	108.0
3/4"	IMC/Rigid	5-7/16	138.1
1"	IMC/Rigid	6-15/16	176.2
1-1/4"	IMC/Rigid	8-3/16	208.0
1-1/2"	IMC/Rigid	8-1/4	209.6
2"	IMC/Rigid	9	228.6
1/2"	PVC Coated	4-1/4	108.0
3/4"	PVC Coated	5-7/16	138.1
1"	PVC Coated	6-15/16	176.2
1-1/4"	PVC Coated	8-3/4	222.3
1-1/2"	PVC Coated	8-1/4	209.6
2"	PVC Coated	9	228.6

SHOTGUN SHOE FOR 854DX BENDING RADII

CONDUIT SIZE	CONDUIT TYPE	INCHES	MM
3/4"	EMT	5	127.0
1"	EMT	6-1/4	158.8
1/2"	IMC/Rigid	5	127.0
3/4"	IMC/Rigid	6-1/4	158.8
1"	IMC/Rigid	5-3/4	146.0

555[®] CX Electric Bender



- The 555 Series, commonly referred to as the “triple-nickel”, has been completely re-engineered with a rugged exterior for the most demanding environments
- The 555CX has solid state electronics that eliminates arcing and prevents damage from temporary power loss. The solid state electronics system is rated for 1,000,000+ bends
- Operated by a pendant constructed with a high-impact over-molded case and rare earth magnets for strong holding power to the bender

CAT NO.	UPC NO.	DESCRIPTION
555CX	12425	Electric Bender, Standard Pendant (120 VAC, 20A)
555CXES	01635	Electric Bender, with 13934 1/2" – 2" EMT Shoe Group (120 VAC, 20A)
555CXRS	01634	Electric Bender, with 28008 1/2" – 2" Rigid Shoe Group (120 VAC, 20A)
555CX-22	02787	Electric Bender, Standard Pendant (220 VAC, 20A)
555CXES-22	02863	Electric Bender, with 13934 1/2" – 2" EMT Shoe Group (220 VAC, 20A)
555CXRS-22	02862	Electric Bender, with 28008 1/2" – 2" Rigid Shoe Group (220 VAC, 20A)
A 28008	01319	Rigid/IMC Shoe Group, 1/2" to 2" (555 Series)
A 13856	13856	1-1/2" and 2" IMC Squeeze Roller (555CX/DX) (use with 28008 shoe group)
A 13934	01320	EMT Shoe Group, 1/2" to 2" (555CX/DX)
A 12586	01321	40 ml PVC Coated Rigid Shoe Group, 1/2" to 2" (555 Series)
A SG4	02419	Shotgun Shoe



A PRODUCT VIDEO IS AVAILABLE, SCAN THIS QR CODE OR VISIT:
www.youtube.com/GreenleeDEMO



SPECIFICATIONS

Capacity	1/2" - 2" Rigid / EMT / IMC / PVC Coated
Power Source	120 VAC, 20 amp GFCI
Weight	300 lbs.

555 SHOE GROUPS

CAT. NO.	UPC NO.	DESCRIPTION	ELECTRIC BENDER COMPATIBILITY	
			555C	555CX/555DX
28008	01319	Rigid Shoe Group ¹ , 1/2" to 2"	X	X
12586	01321	PVC-Coated Shoe Group, 1/2" to 2"	X	X
13934	01320	EMT Shoe Group, 1/2" to 2"		X
23803	01322	EMT Shoe Group, 1/2" to 2"	X	
01323	01323	IMC Roller Support, 1-1/2" to 2"	X	
13856	13856	1-1/2" & 2" IMC Squeeze Roller		X

¹ The IMC squeeze roller is required when bending IMC for the 555CX/DX

555CX BENDING RADII

CONDUIT SIZE	CONDUIT TYPE	INCHES	MM
1/2"	EMT	4-5/16	109.5
3/4"	EMT	5-1/2	139.7
1"	EMT	7	177.8
1-1/4"	EMT	8-13/16	223.8
1-1/2"	EMT	8-3/8	212.7
2"	EMT	9-1/4	235.0
1/2"	IMC/Rigid	4-1/4	108.0
3/4"	IMC/Rigid	5-7/16	138.1
1"	IMC/Rigid	6-15/16	176.2
1-1/4"	IMC/Rigid	8-3/4	222.3
1-1/2"	IMC/Rigid	8-1/4	209.6
2"	IMC/Rigid	9	228.6
1/2"	PVC Coated	4-1/4	108.0
3/4"	PVC Coated	5-7/16	138.1
1"	PVC Coated	6-15/16	176.2
1-1/4"	PVC Coated	8-3/4	222.3
1-1/2"	PVC Coated	8-1/4	209.6
2"	PVC Coated	9	228.6

555® Classic Electric Benders for Conduit and Pipe



555C

- The 555C Classic Series features simple relay controls for easy field repairs, and compact handle design to prevent interference with conduit when bending
- Bend 1/2" – 2" Rigid, IMC, EMT & PVC Coated Rigid
- Shoe groups available for different combination

SPECIFICATIONS

Capacity	555RSC: 1/2" – 2" Rigid (1/2" – 2" IMC with IMC Roller Support) 555ESC: 1/2" – 2" EMT
Power	555C Classic Series: 120 VAC; 20 amp GFCI-protected
Weight	555C: 260 LBS 555RSC/555ESC: 320 LBS

CAT. NO.	UPC NO.	DESCRIPTION
555C	06900	Classic Electric Bender power unit without bending accessories
555RSC	01632	Classic Electric Bender, with 28008 1/2" – 2" Rigid Shoe Group
555ESC	01633	Classic Electric Bender, with 23803 1/2" – 2" EMT Shoe Group
28008	01319	Rigid/IMC Shoe Group, 1/2" to 2" (555 Series)
12586	01321	40 ml PVC Coated Rigid Shoe Group, 1/2" to 2" (555 Series)
23803	01322	EMT Shoe Group, 1/2" to 2" (555C)
01323	01323	1/2" to 2" IMC Roller Support (555C)
SG4	02419	Shotgun Shoe

555C BENDING RADII

CONDUIT SIZE	CONDUIT TYPE	INCHES	MM
1/2"	EMT	4-5/16	109.5
3/4"	EMT	5-1/2	139.7
1"	EMT	7	177.8
1-1/4"	EMT	8-13/16	223.8
1-1/2"	EMT	8-3/8	212.7
2"	EMT	9-1/4	235.0
1/2"	IMC/Rigid	4-1/4	108.0
3/4"	IMC/Rigid	5-7/16	138.1
1"	IMC/Rigid	6-15/16	176.2
1-1/4"	IMC/Rigid	8-3/4	222.3
1-1/2"	IMC/Rigid	8-1/4	209.6
2"	IMC/Rigid	9	228.6
1/2"	PVC Coated	4-1/4	108.0
3/4"	PVC Coated	5-7/16	138.1
1"	PVC Coated	6-15/16	176.2
1-1/4"	PVC Coated	8-3/4	222.3
1-1/2"	PVC Coated	8-1/4	209.6
2"	PVC Coated	9	228.6

ACCESSORY SHOE GROUPS

- Bend 1/2" to 2" on one shoe*
- No loose pieces
- One time setup
- Less lifting reduces operator fatigue
- Works with Greenlee® 555CX, 555DX and 555C electric conduit benders

**Separate shoes used for different conduit types (Rigid/IMC, EMT, and PVC-Coated)*



A PRODUCT VIDEO IS AVAILABLE, SCAN THIS QR CODE OR VISIT:
www.youtube.com/GreenleeDEMO

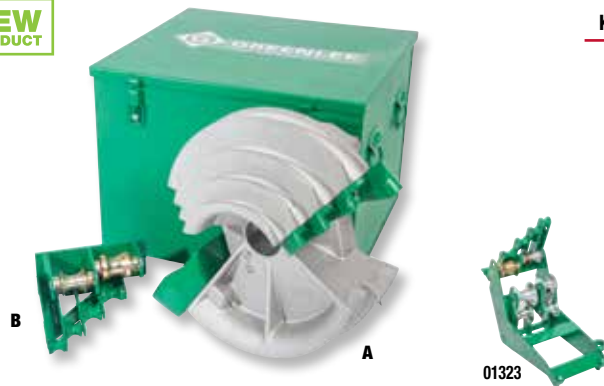
555 SHOE GROUPS

CAT. NO.	UPC NO.	DESCRIPTION	ELECTRIC BENDER COMPATIBILITY	
			555C	555CX/555DX
28008	01319	Rigid Shoe Group ¹ , 1/2" to 2"	X	X
12586	01321	PVC-Coated Shoe Group, 1/2" to 2"	X	X
13934	01320	EMT Shoe Group, 1/2" to 2"		X
23803	01322	EMT Shoe Group, 1/2" to 2"	X	
01323	01323	IMC Roller Support, 1-1/2" to 2"	X	

¹ The IMC squeeze roller is required when bending IMC for the 555CX/DX

1/2" – 2" Rigid/IMC Shoe Group

NEW PRODUCT



KEY	CAT. NO.	UPC NO.	DESCRIPTION
	28008	01319	Rigid/IMC Shoe Group, 1/2" to 2"
A	02548	02548	1/2" to 2" Bending Shoe
B	02549	02549	1/2" to 2" Roller Support
	1723	23818	Metal Storage Box

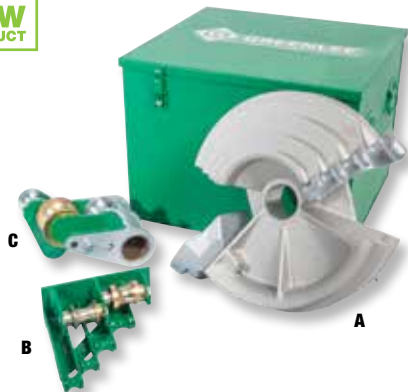
CAT. NO.	UPC NO.	DESCRIPTION
01323	01323	1/2" to 2" IMC Roller Support ¹ (555C)
13856	13856	1-1/2" and 2" IMC Squeeze Roller (555CX/DX) ²

¹ The IMC Roller Support is required to bend IMC on the 555C Bender.

² The IMC Squeeze Roller is required to bend IMC on 555CX/DX Benders.

1/2" – 2" EMT Shoe Groups

NEW PRODUCT



KEY	CAT. NO.	UPC NO.	DESCRIPTION
	13934	01320	EMT Shoe Group, 1/2" to 2" (555CX/DX)
A	02543	02543	1/2" to 2" Bending Shoe
B	02567	02567	1/2" to 2" Roller Support
C	13857	13857	1-1/2" and 2" EMT Squeeze Roller
	1723	23818	Metal Storage Box

NEW PRODUCT



KEY	CAT. NO.	UPC NO.	DESCRIPTION
	23803	01322	EMT Shoe Group, 1/2" to 2" (555C)
A	02543	02543	1/2" to 2" Bending Shoe
B	02544	02544	1/2" to 2" Roller Support
	1723	23818	Metal Storage Box

1/2" – 2" 40 MIL PVC-Coated Rigid Shoe Group

NEW PRODUCT



KEY	CAT. NO.	UPC NO.	DESCRIPTION
	12586	01321	Shoe Group, 1/2" to 2" PVC Coated Rigid (555 Series)
A	02553	02553	1/2" to 2" Bending Shoe
B	02554	02554	1/2" to 2" Roller Support
	1723	23818	Metal Storage Box
	12582	12582	Shoe Group, 1/2" – 2" PVC Coated Rigid (855GX)
	02840	02840	Shoe Group, 1/2" – 2" PVC Coated Rigid (854DX)

Shotgun Shoe for 555® Benders

NEW PRODUCT



UNIQUE NESTED GROOVE DESIGN

PRODUCTIVE.
BEND UP TO 4 PIECES OF CONDUIT AT THE SAME TIME

VERSATILE.
1 SHOE BENDS 8 CONDUIT TYPES

- RIGID: 1/2", 3/4", 1"
- IMC: 1/2", 3/4", 1"
- EMT: 3/4", 1"

LIGHTWEIGHT.
EASILY TRANSPORTED TO BE USED IN PRE-FABRICATION SHOPS AND JOB-SITES

- Works with Greenlee 555 Series electric benders
- Adjust length indicator to set different heights for stubs and kicks
- Up to 2X faster bend cycle time – Pays for itself in less than 1 year*

* Based on an estimated labor rate (\$100/hr) and conduit usage



A PRODUCT VIDEO IS AVAILABLE, SCAN THIS QR CODE OR VISIT:
www.youtube.com/GreenleeDEMO

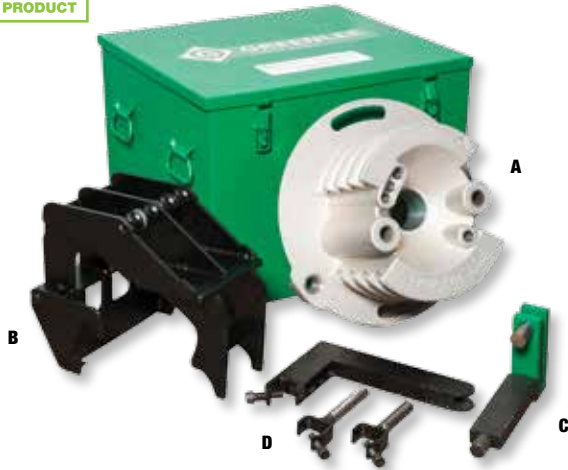
SHOTGUN SHOE BENDING RADII

CONDUIT SIZE	CONDUIT TYPE	INCHES	MM
3/4"	EMT	5	127.0
1"	EMT	6-1/4	158.8
1/2"	IMC/Rigid	5	127.0
3/4"	IMC/Rigid	6-1/4	158.8
1"	IMC/Rigid	5-3/4	146.0

KEY	CAT. NO.	UPC NO.	DESCRIPTION
	SG4	02419	Shotgun Shoe for 555 Series
A	02466	02466	Bending Shoe
B	02467	02467	Roller Support Unit
C	02465	02465	Hook Assembly
D	02582	02582	Length Indicator (includes long & short clamp)
	1723	23818	Metal Storage Box

Shotgun Shoe for 854DX Benders

**NEW
PRODUCT**



VERSATILE. 1 SHOE BENDS 8 CONDUIT TYPES

- RIGID: 1/2", 3/4", 1"
- IMC: 1/2", 3/4", 1"
- EMT: 3/4", 1"

- Works with Greenlee's 854DX Electric Bender
 - Adjust length indicator to set different heights for stubs and kicks
 - Up to 2X faster bend cycle time – pays for itself in less than 1 year*
- * Based on an estimated labor rate (\$100/hr) and conduit usage

KEY	CAT. NO.	UPC NO.	DESCRIPTION
	SG4-854	04034	Shotgun Shoe for 854DX
A	04027	04027	Bending Shoe
B	04028	04028	Roller Support Unit
C	02465	02465	Hook Assembly
D	04029	04029	Length Indicator (Includes long & short clamp)
	1723	23818	Metal Storage Box
	04030	04030	Adapter Kit (Includes Roller Support, Length Indicator, and mounting hardware)

SHOTGUN SHOE BENDING RADII

CONDUIT SIZE	CONDUIT TYPE	INCHES	MM
3/4"	EMT	5	127.0
1"	EMT	6-1/4	158.8
1/2"	IMC/Rigid	5	127.0
3/4"	IMC/Rigid	6-1/4	158.8
1"	IMC/Rigid	5-3/4	146.0

ALREADY OWN A SHOTGUN SHOE FOR A 555 BENDER?

**THE 04030 ADAPTER KIT IS ALL YOU
NEED TO USE YOUR EXISTING SHOE
ON THE 854DX BENDER.**



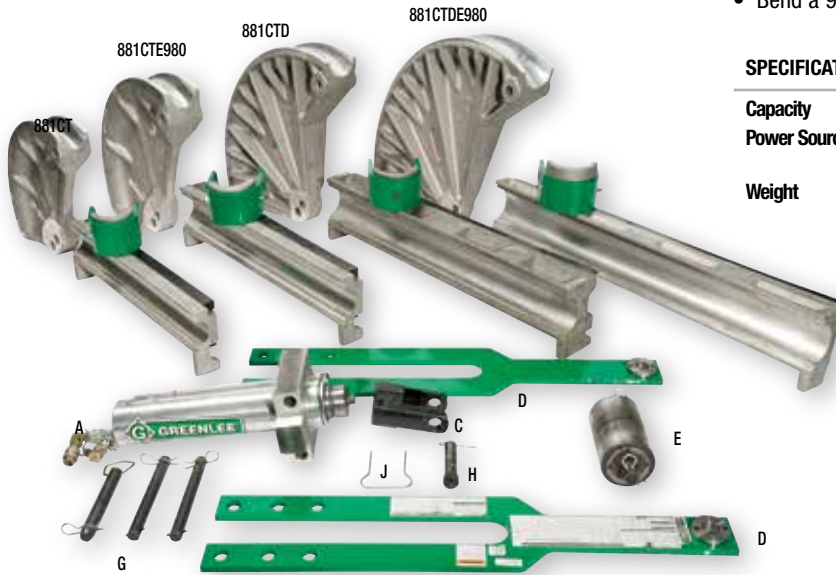
HYDRAULIC BENDERS

Cam Track® Conduit Benders for 2-1/2" to 4" EMT, IMC and Rigid

- One bender to bend EMT, IMC and Rigid Conduit
- Fast and easy setup on the job site
- True One-Shot 90° bends with CT models for quick accurate bends.
- Steel reinforced follow bars for long life
- Bend a 90° elbow in 4" Rigid conduit in 95 seconds

SPECIFICATIONS

Capacity	2-1/2" - 4" EMT, IMC and Rigid
Power Source	980: 120 VAC Electric Powered Hydraulic Pump 980-22PS: 220 VAC 50/60 Cycle Electric Powered Hydraulic Pump
Weight	881MBT: 300 LBS (136kg) 881CTE980: 1026 LBS (465 kg) 881CTDE980: 999 LBS (454 kg)



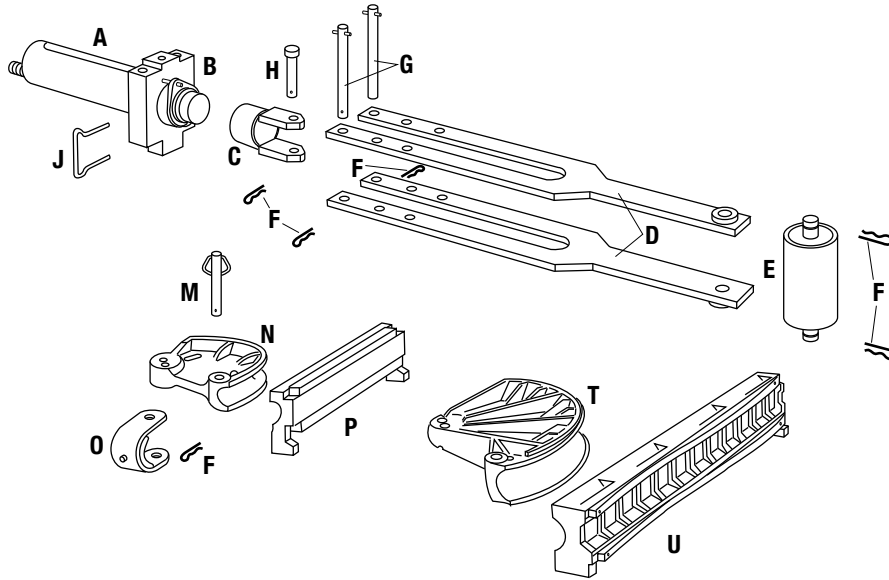
NOTE: See page 128 for parts associated with the Cam Track® Conduit Bender

SPECIFICATIONS

881 CT, 881 CTD, 881 BASIC			
SIZE	Center line Radius	Shoe Group	Degree of Bend
2-1/2"	13-1/2" (342.9 mm)	27554	90
3"	16" (406.4 mm)	27555	90
3-1/2"	18-5/8" (473.1 mm)	31281	90
4"	20-7/8" (530.2 mm)	31274	90

CAT. NO.	UPC NO.	DESCRIPTION
881CT	31287	Cam Track Conduit Bender for One-Shot 90° Bends in 2-1/2", 3", 3-1/2" and 4" EMT, IMC and Rigid conduit, without hydraulic pump
881CTE980	34208	Cam Track Conduit Bender for One-Shot 90° Bends in 2-1/2", 3", 3-1/2" and 4" EMT, IMC and Rigid conduit, with 980 Electric Hydraulic Pump
881CTD	38466	Cam Track Conduit Bender for One-Shot 90° Bends in 2-1/2", 3" and 4" EMT, IMC and Rigid conduit, without hydraulic pump & 3-1/2" shoe group
881CTDE980	38467	Cam Track Conduit Bender for One-Shot 90° Bends in 2-1/2", 3" and 4" EMT, IMC and Rigid conduit, with 980 Electric Hydraulic Pump, without 3-1/2" shoe group
A 27554	27554	2-1/2" - One-Shot 90° EMT, IMC, Rigid Shoe Group
A 27555	27555	3" - One-Shot 90° EMT, IMC, Rigid Shoe Group
A 31281	31281	3-1/2" - One-Shot 90° EMT, IMC, Rigid Shoe Group
A 31274	31274	4" - One-Shot 90° EMT, IMC, Rigid Shoe Group

Cam Track® Benders and Shoe Groups



KEY	CAT. NO.	UPC NO.	DESCRIPTION	BENDERS			SHOE GROUPS			
				881BASIC	881CT	881CTD	27554	27555	31281	31274
A	27416	27416	40-Ton Hydraulic Ram with 4018GB female quick coupler. The ram includes Keys B, G, and two clips from Key F	1	1	1				
B	27417	27417	Cylinder Block	1	1	1				
C	30309	30309	Yoke	1	1	1				
D	26309	26309	Connecting Bar Unit	2	2	2				
E	27364	27364	Roller Unit	1	1	1				
F	2725AA	50302	Hitch Pin Clips (10 pack)	6	6	6				
G	27381	27381	Cylinder Block Pin Unit	2	2	2				
H	26306	26306	Yoke Pin	1	1	1				
J	26349	26349	Spring Clip (secures Yoke Unit to Ram)	1	1	1				
	11289	11289	3/8" x 6' (9.5 x 1829 mm) Hydraulic Hose with two 4033GB male quick couplers (not shown)	1	1	1				
M	26624	26624	Saddle Pin Unit - includes 1 clip from Key F	1	1	1				
N	26297	26297	2-1/2" Shoe 90°		1	1	1			
P	26366	26366	2-1/2" Follow Bar 90°		1	1	1			
O	26580	26580	2-1/2" Saddle		1	1	1			
N	26300	26300	3" Shoe 90°		1	1		1		
P	35400	35400	3" Follow Bar 90°		1	1		1		
O	26584	26584	3" Saddle		1	1		1		
O	26588	26588	3-1/2" Saddle		1				1	
T	31882	31882	3-1/2" Shoe 90°		1				1	
U	31881	31881	3-1/2" Follow Bar 90°		1				1	
O	26594	26594	4" Saddle		1	1				1
T	31884	31884	4" Shoe 90°		1	1				1
U	31883	31883	4" Follow Bar 90°		1	1				1
	2460	23363	Steel Storage Box (not shown)	1	1	1				
	696	15341	Caster Set (not shown)	1	1	1				

881-MBT Mobile Bending Table for 881 Series



881-MBT



A PRODUCT VIDEO IS AVAILABLE. SCAN THIS QR CODE OR VISIT: www.youtube.com/GreenleeDEMO

SPECIFICATIONS

Weight	300 lbs. (136kg)
Weight Of Table With All Components	1326 lbs. (601.5kg)
Length Of Table	67" (1.7m)
Overall Height:	
With Pump	41" (1.04m)
Without Pump	35" (0.89m)
Overall Width	31 1/2" (0.8m)

1- TIME SETUP.
SAVE 1 HOUR WITH EVERY MOVE!

COMPLETE MOBILITY.
MINIMIZES MATERIAL HANDLING

- Bend conduit where needed for installation (4" x 10' Rigid conduit weighs 100 lbs.)
- Minimize repetitive lifting of bender components reducing fatigue on back.

ON-BOARD STORAGE.
BECAUSE SPACE IS A PREMIUM

All components pin to the table, reducing component loss and for convenient transport from site to site.

CAT. NO.	UPC NO.	DESCRIPTION
881-MBT	00903	Mobile Bending Table
27554	27554	2-1/2" - One-Shot 90° EMT, IMC, Rigid Shoe Group
27555	27555	3" - One-Shot 90° EMT, IMC, Rigid Shoe Group
31281	31281	3-1/2" - One-Shot 90° EMT, IMC, Rigid Shoe Group
31274	31274	4" - One-Shot 90° EMT, IMC, Rigid Shoe Group
1813	28901	Bending Table for 881 Bender



Rigid Conduit Bender for 1-1/4" - 2" One-Shot 90°s and 2-1/2" - 4" Segment Bending



777

- Strong, portable pin-assembled aluminum components
- Easy-to-use ram travel scale and bending charts
- Conduit supports index to suit all sizes

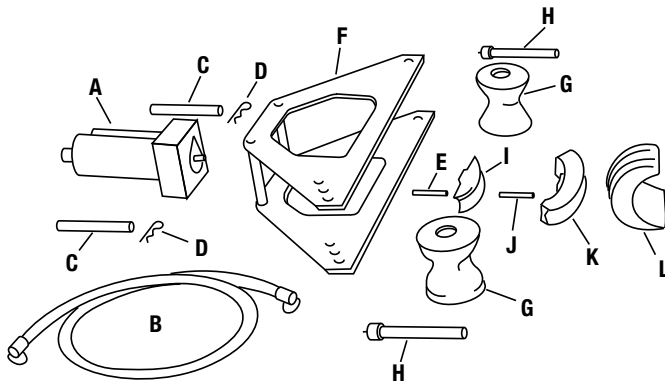
SPECIFICATIONS

Capacity	1-1/4" - 4" Rigid Conduit
Power Source	755: Hydraulic Hand Pump 975: 120 VAC Electric Hydraulic Pump 980: 120 VAC Electric Hydraulic Pump
Weight	777: 164 lbs. (75 kg) 777HC755: 173 lbs. (79 kg) 777E975: 508 lbs. (231 kg)

CAT. NO.	UPC NO.	DESCRIPTION
777	16491	1-1/4" through 2" One-Shot and 2-1/2" through 4" Segment, Rigid Conduit Bender without hydraulic pump
777HC755	16470	1-1/4" through 2" One-Shot and 2-1/2" through 4" Segment, Rigid Conduit Bender with 755 Hand Hydraulic Pump
777E975	34198	1-1/4" through 2" One-Shot and 2-1/2" through 4" Segment, Rigid Conduit Bender with 975 Electric Hydraulic Pump
A 1802	21257	Bending Table (Optional)
A 21359	21359	Conduit Support Pin for use with 1802 Bending Table - (2) Required

CENTERLINE BENDING RADII FOR 777 BENDERS

Rigid Shoe Size	1-1/4"	1-1/2"	2"	2-1/2"	3"	3-1/2"	4"
Bending Radius-Inches	7-1/4"	8-1/4"	9-1/2"	11-7/16"	13-3/4"	16"	18-1/4"
Bending Radius-mm	184.1	209.5	241.3	290.5	349.3	406.4	463.6



KEY	CAT. NO.	UPC NO.	DESCRIPTION	777
A	1736	13251	27-Ton Hydraulic Ram with 4018GB female quick coupler, includes Keys C thru E	1
B	11289	11289	3/8" x 6' (9.5 x 1829 mm) Hose with two 4033GB male quick couplers	1
C	13252	13252	Cylinder Head Pin Unit with Spring Clip 2725AA (Key D)	2
D	50302	50302	Spring Clip	2
E	10826	10826	Ram Pin	1
F	13232	13232	Frame Unit	1
G	13193	13193	Conduit Support	2
H	14496	14496	Conduit Support Pin	2
I	10939	10939	Small Shoe Support 1/2" thru 2"	1
J	10826	10826	Shoe Pin	1
K			90° Aluminum Bending Shoes	
	10920	10920	1-1/4" Shoe	1
	10921	10921	1-1/2" Shoe	1
	10922	10922	2" Shoe	1
L			Aluminum Segment Bending Shoes	
	13208	13208	2-1/2" Shoe	1
	13209	13209	3" Shoe	1
	13210	13210	3-1/2" Shoe	1
	13211	13211	4" Shoe	1
M	13382	13382	Steel Storage Box (not shown)	1

Rigid Conduit Benders for One-Shot 90°s in 1-1/4" - 4" (5" with Segment Bending Shoe)

Bending



Shown with OPTIONAL 1802 Bending Table & OPTIONAL 980 pump

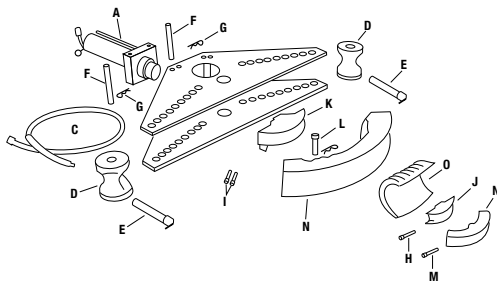
- Strong, yet lightweight, portable, pin-assembled aluminum components
- Easy-to-use ram travel scale and charts for accurate bends
- Make elbows, offsets and saddles
- Both 884 and 885 bend One-Shot 90°s in 1-1/4" - 4" Rigid conduit
- Optional shoes available to bend PVC-coated Rigid conduit
- Optional 1802 Bending Table available for easier operation

CAT. NO.	UPC NO.	DESCRIPTION
884	16477	1-1/4" through 4" Rigid Conduit Bender, without hydraulic pump
884E980	34209	1-1/4" through 4" Rigid Conduit Bender, with 980 Electric Hydraulic Pump
884PVC	33614	1-1/4", 1-1/2", 2", 3" and 4" PVC Coated Rigid Conduit Bender without hydraulic pump
885	16751	1-1/4" through 4" One-Shot and 5" Segment Rigid Conduit Bender, without hydraulic pump
885E980	34210	1-1/4" through 4" One-Shot and 5" Segment Rigid Conduit Bender, with 980 Electric Hydraulic Pump
A 1802	21257	Bending Table (Optional)

SPECIFICATIONS

Capacity	Weight
884: 1-1/4" - 4" Rigid conduit.	884: 421 lbs. (191 kg)
884PVC: 1-1/4" - 4" 40 mil PVC Coated Rigid Conduit	884E980: 494 lbs. (225 kg)
885: 1-1/4" - 5" Rigid Conduit	884PVC: 388 lbs. (176 kg)
Power Source 980: 120 VAC Electric Powered Hydraulic Pump	885: 449 lbs. (204 kg)
980-22PS: 220 VAC 50/60 Cycle Electric Powered Hydraulic Pump	885E980: 527 lbs. (239 kg)

Rigid Conduit Benders for One-Shot 90°s in 1-1/4" - 4" (5" with Segment Bending Shoe)



884 & 885 CENTERLINE BENDING RADII

SIZE	Rigid	SIZE	PVC Rigid
1-1/4"	7-1/4" (184.1 mm)	1-1/4"	7-1/4" (184.1 mm)
1-1/2"	8-1/4" (209.5 mm)	1-1/2"	8-1/4" (209.5 mm)
2"	9-1/2" (241.3 mm)	2"	9-1/2" (241.3 mm)
2-1/2"	12-1/2" (317.5 mm)	2-1/2"	11-7/16" (290.5 mm)
3"	15" (381 mm)	3"	13-3/4" (349.3 mm)
3-1/2"	17-1/2" (444.5 mm)	3-1/2"	16" (406.4 mm)
4"	20" (508 mm)	4"	18-1/4" (463.5 mm)
5"	25" (635 mm)		
	(885 only)		

KEY	CAT. NO.	UPC NO.	DESCRIPTION	884	884PVC	885
A	1737	16752	27-Ton Hydraulic Ram with 4018GB female quick coupler, includes Keys F thru I.	1	1	1
C	11289	11289	3/8" x 6" (9.5 x 1829 mm) Hydraulic Hose with two 4033GB male quick couplers	1	1	1
D	15671	15671	Conduit Support	2		2
	33454	33454	Conduit Support (not shown)		2	
E	16747	16747	Conduit Support pin	2	2	2
F	16753	16753	Cylinder Head Pin Unit with Spring Clip 2725AA	2	2	2
G	50302	50302	Spring Clip	2	2	2
H	25184	25184	Ram Pin	1	1	1
I	10946	10946	Large Ram Pin	2	2	2
J	10939	10939	Small Shoe Support (1/2" through 2")	1	1	1
K	16741	16741	Large Shoe Support (2-1/2" through 4")	1	1	1
L	10963	10963	Large Shoe Pin	1	1	1
M	10826	10826	Small Shoe Pin	1	1	1
	2050	19811	Steel Storage Box (not shown)	1	1	1
N	10920	10920	1-1/4" Shoe - Rigid	1		1
N	10921	10921	1-1/2" Shoe - Rigid	1		1
N	10922	10922	2" Shoe - Rigid	1		1
N	10923	10923	2-1/2" Shoe - Rigid	1		1
N	10924	10924	3" Shoe - Rigid	1		1
N	10925	10925	3-1/2" Shoe - Rigid	1		1
N	14265	14265	4" Shoe - 20" centerline radius - Rigid	1		1
N	15669	15669	5" Shoe - Rigid			1
O	33459	33459	1-1/4" Shoe - PVC		1	
N	33463	33463	1-1/2" Shoe - PVC		1	
N	33462	33462	2" Shoe - PVC		1	
N	34340	34340	3" Shoe - PVC		1	
N	34344	34344	4" Shoe - PVC		1	
N	34329	34329	7/8" Wrench (not shown)		1	

Accessories for Bending 40 Mil PVC-Coated Rigid Conduit for 880 and 884 Benders

884PVC



- Special size shoes and supports for bending 40 mil PVC-Coated Rigid conduit
- Two conduit supports to fit your bender are required. Shoes for 1-1/2" or larger have a cam device to force the conduit out of the shoe after bending; this requires a wrench to turn the cam

BENDERS / PARTS

CAT. NO.	UPC NO.	DESCRIPTION
884PVC	33614	An 884 Bender with shoes, supports and wrench for bending 1-1/4", 1-1/2", 2", 3" and 4" 40 mil PVC Coated Rigid conduit. In a steel storage box.

SHOE UNITS

40 MIL PVC COATED RIGID SIZE

CAT. NO.	UPC NO.	DESCRIPTION
1/2"	33456	33456 Shoe Unit 4" (101.6 mm) Centerline Radius
3/4"	33457	33457 Shoe Unit 4-1/2" (114.3 mm) Centerline Radius
1"	33458	33458 Shoe Unit 5-3/4" (146.1 mm) Centerline Radius
1-1/4"	33459	33459 Shoe Unit 7-1/4" (184.2 mm) Centerline Radius
1-1/2"	33463	33463 Shoe Unit 8-1/4" (209.6 mm) Centerline Radius
2"	33462	33462 Shoe Unit 9-1/2" (241.3 mm) Centerline Radius
2-1/2"	34321	34321 Shoe Unit 11-7/16" (290.5 mm) Centerline Radius
3"	34340	34340 Shoe Unit 13-3/4" (349.3 mm) Centerline Radius
3-1/2"	34342	34342 Shoe Unit 16" (406.4 mm) Centerline Radius
4"	34344	34344 Shoe Unit 18-1/4" (463.6 mm) Centerline Radius
—	33455	33455 880 Conduit Support – 2 Required
—	33454	33454 884 Conduit Support – 2 Required
—	34329	34329 7/8" Wrench. Use with 1-1/2" and larger shoes

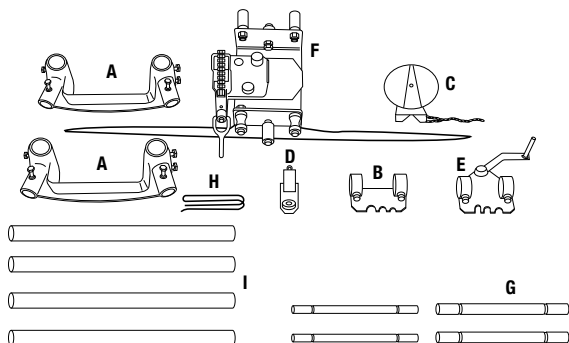
Bending Table (only) for 777, 880, 884 and 885 Rigid Conduit Benders



- Make bending easier, faster and more accurate
- Insert conduit to be bent in chain vise, tighten. Turn handle to move the chain vise and position conduit for bending
- Use the Bending Degree Protractor and the movable chain vise to advance conduit while making segment and other multi-shot large sweep bends
- Includes 1805 Bending Degree Protractor and metal storage box

CAT. NO.	UPC NO.	DESCRIPTION
1802	21257	Bending Table - includes pipe support pins for 884 or 885 Benders
A 21359	21359	Pipe support Pin for use with 777, 883 and 883-4 Benders, two (2) are required (Optional)
A 21357	21357	Pipe Support Pin for use with 880 Bender, two (2) are required (Optional)

NOTE: To complete setup as shown two 10-foot (3.04 m) lengths of 2" Rigid conduit and Bender are required (purchased separately).



KEY	CAT. NO.	UPC NO.	DESCRIPTION	1802
A	21541	21541	Leg Support Unit	2
B	21545	21545	Bender Bracket Unit	1
C	1805	1805	Bending Degree Protractor	1
D	21542	21542	Chain Idler Unit	1
E	21543	21543	Crank Bracket Unit	1
F	21544	21544	Pipe Vise Unit	1
G	21360	21360	Pipe Support Pin – 1-1/2" for 884 and 885 Bender	2
H	21413	21413	Chain Extension Kit	1
I	21346	21346	Legs	4
	1531	23274	Steel Storage Box (not shown)	1

SPECIFICATIONS

Capacity	777, 880, 883, 884 and 885 Benders
Weight	180 lbs. (82 kg)

Electric Hydraulic Pump



975

- Useable oil volume: 3 quarts (2.8 liters)
- For use with Greenlee 2" capacity benders
- Automatic or manual ram-return selector valve provides more control from the pendant switch
- Molded enclosure protects pump, motor and circuitry in tough working environments
- Use with single-hose hydraulic systems with spring-return rams

SPECIFICATIONS

Operation	120 VAC 1/2 HP (.375 kW)
Capacity	10,000 psi (700 bar); 250 inch ₃ (4 L) per minute rapid advance; 18 inch ₃ (.32 L) per minute at full pressure
Length	12" (305 mm)
Width	10" (254 mm)
Height	15-1/2" (394 mm)

CAT. NO.	UPC NO.	DESCRIPTION	LBS.	KG
975	33516	Electric Hydraulic Pump	51	23
R 34369	34369	Seal Kit		

WEIGHT

Bending

Electric Hydraulic Pump



980

- Useable oil volume: 6 quarts (5.7 liters)
- For use with all Greenlee benders
- Handy pendant advance control on 980 and 980-22PS
- Low voltage pendant coupled to solid state motor controls eliminates contact arcing for greater reliability and longer life
- Automatic or manual ram return selector valve provides more control from the pendant switch
- Molded enclosure protects pump, motor and circuitry in tough working environments
- Use with single-hose hydraulic systems with spring-return rams

SPECIFICATIONS

Operation	980 – 120 VAC 1-1/2 Hp (1.12 kW) 980-22PS – 220 VAC 50Hz 1-1/2 Hp (1.12 kW)
Capacity	10,000 psi (700 bar); 250 inch ₃ (4 L) per minute rapid advance; 54 inch ₃ (.9 L) per minute at full pressure
Length	12" (305 mm)
Width	12" (305 mm)
Height	17-1/2" (445 mm)

CAT. NO.	UPC NO.	DESCRIPTION	LBS.	KG
980	33515	Electric Hydraulic Pump with Pendant	71	32
980-22	36314	Electric Hydraulic Pump	71	32
980-22PS	36313	Electric Hydraulic Pump with Pendant Switch	71	32
R 34369	34369	Seal Kit		

Note: 980-22 is 220V pump only, no control switch

WEIGHT

Hydraulic Oil



4016 GB

4017 GB

- Greenlee-approved hydraulic oil
- Specially compounded for use with Greenlee hydraulic equipment
- Refinery-filtered to give you the finest oil available

CAT. NO.	UPC NO.	DESCRIPTION	LBS.	KG
4016 GB	51059	Hydraulic Oil – 1 Gallon (3.8 l)	8.5	3.9
4017 GB	50806	Hydraulic Oil – 1 Quart (.9 l)	2.25	1.02

NOTE: For best operation of your Greenlee hydraulic-powered equipment, use Greenlee hydraulic oil only. (Do not use hydraulic brake fluid, shock absorber fluid, alcohol, glycerine, castor oil or other non-specified fluid—as they reduce performance and can cause damage to pumps and equipment.) Use of improper fluids waives the guarantee on Greenlee hydraulic equipment.

PVC HEATERS & BLANKETS

PVC Bending Equipment Selection Guide

PVC HEATING

CAT. NO. – DESCRIPTION	PAGE NO.	1/2"	3/4"	1"	1-1/4"	1-1/2"	2"	2-1/2"	3"	3-1/2"	4"	5"	6"
BLANKETS													
860-1-1/2 PVC Heating Blanket	125	✓	✓	✓	✓	✓							
860-3 PVC Heating Blanket	125						✓	✓	✓				
860-4 PVC Heating Blanket	125									✓	✓		
HEATERS													
849 PVC Heater	126	✓	✓	✓	✓	✓	✓						
851 PVC Heater	126	✓	✓	✓	✓	✓	✓	✓	✓	✓	✓		
847 / 848 PVC Heater	126	✓	✓	✓	✓	✓	✓	✓	✓	✓	✓	✓	✓

PVC Heating Blankets for up to 4", All Schedules



860-1-1/2

- Make bends, offsets or saddles in PVC fast and easy.
- Easy to use: wrap blanket around PVC, secure with hook and loop strap
- Built-in stiffeners help keep the blanket tight to the PVC surface
- Controlled, even heating for uniform bending
- Heavy-duty cord and thermostat for long life
- Temperature over 300° F (149° C)

SPECIFICATIONS

	860-1-1/2	860-3	860-4
Capacity	Up to 1-1/2" PVC All Schedules	2" - 3" PVC All Schedules	3-1/2" - 4" PVC All Schedules
Power Source	120 VAC	120 VAC	120 VAC
Size	13" x 8-1/4" (330.2 x 209.6 mm)	30" x 13-1/4" (762.0 x 336.6 mm)	38" x 16-1/4" (965.2 x 412.8 mm)
Weight	1.7 lbs. (.8 kg)	3.3 lbs. (1.5 kg)	4.9 lbs. (2.2 kg)
Wattage	800	800	1300

CAT. NO.	UPC NO.	DESCRIPTION
860-1-1/2	31486	PVC Heating Blanket for up to 1-1/2"
860-3	31487	PVC Heating Blanket for 2"-3"
860-4	31488	PVC Heating Blanket for 3-1/2" and 4"

Electric PVC Heater for 1/2" - 2", All Schedules



849

- Easy to use: preheat for 10 minutes, insert PVC, rotate until pliable, remove and form bend
- Sturdy double wall metal with fiberglass insulation and reflective interior for fast, even heat
- Full length door for easy PVC loading and removal
- Other features include on/off switch, pilot light and carrying handle
- Heats 24" Long section of pipe

SPECIFICATIONS

Capacity	1/2" - 2" PVC All Schedules
Power Source	120 VAC 20 Amp or 3000 Watt Generator
Weight	15 lbs. (6.8 kg)

CAT. NO.	UPC NO.	DESCRIPTION
849	27395	Electric PVC Heater for 1/2" - 2"
R 27811	27811	Calrod Heating Element

Electric PVC Heater for 1/2" - 4", All Schedules



851

- Easy to use: preheat for 10 minutes, open lid and position PVC, close lid, rotate until pliable, open lid, remove PVC and form bend
- Heavy-duty, insulated metal walls and cover with reflective interior for efficient, even heat
- Full-length door for easy loading and unloading
- On/off switch with indicator light
- Sturdy wheels for easy mobility
- Use two units in tandem to heat large sweep bends
- Heats 50" Long section of pipe

SPECIFICATIONS

Capacity	1/2" - 4" PVC All Schedules
Power Source	120 VAC 20 Amp or 3600 Watt Generator
Length	52" (1321 mm)
Weight	53 lbs. (24 kg)
Wattage	2300

CAT. NO.	UPC NO.	DESCRIPTION
851	35577	Electric PVC Heater for 1/2" - 4"
R 35592	35592	Calrod Heating Element

Electric PVC Heater for 1/2" - 6", All Schedules



847

- Easy to use: preheat for 10 minutes, open lid and position PVC, close lid, rotate until pliable, open lid, remove PVC and form bend. 848 model has motorized rotation
- Heavy-duty metal construction with reflective interior for fast, efficient heating
- Has heating chart, timer, and on/off switch with indicator light for added convenience
- Double doors with piano hinges allow heating shorter lengths with one door open
- Sturdy wheels for easy mobility
- Heats 65" Long section of pipe

SPECIFICATIONS

Capacity	1/2" - 6" PVC All Schedules
Power Source	230 VAC 30 AMP or 7000 Watt Generator
Length	71" (1803 mm)
Weight	847 - 78 lbs. (36 kg) 848 - 80 lbs. (37 kg)
Wattage	6600

CAT. NO.	UPC NO.	DESCRIPTION
847	30866	Electric PVC Heater for 1/2"-6" All Schedules
848	30867	Electric PVC Heater with Motorized PVC Rotation for 1/2"-6" All Schedules
A 31092	31092	Motorized PVC rotation kit for 847
A 857	31093	PVC Roller Support (Optional)
R 30908	30908	Calrod Heating Element

PVC ACCESSORIES

PVC Plugs and Plug Set



859-4

SPECIFICATIONS

Capacity	2" - 6" PVC Schedules 40 and 80
Weight	859-4 - 8 lbs. (3.6 kg)
	30976 - .3 lbs. (0.2kg)
	30977 - .4 lbs. (0.2 kg)
	30978 - .4 lbs. (0.2 kg)
	30979 - .6 lbs. (3.6 kg)
	30980 - 1lbs. (0.5 kg)
	30981 - 1.3 lbs. (0.6 kg)

- Use with PVC Heating Blankets or Electric Heaters to plug the ends of the PVC being heated. The trapped air will help keep the PVC from collapsing while forming the bend
- Use on Schedule 40 and 80 PVC
- Available in 2" - 4" set or individual sizes 2" - 6". Order two, one for each end of the PVC

CAT. NO.	UPC NO.	DESCRIPTION
859-4	35740	PVC Plug Set for 2" - 4". Includes 2 each of 2", 2-1/2", 3" and 4" plugs and carrying case. Case has a place for optional 5" and 6" sizes.
R 30976	30976	2" PVC Plug
R 30977	30977	2-1/2" PVC Plug
R 30978	30978	3" and 3-1/2" PVC Plug
R 30979	30979	4" PVC Plug
R 30980	30980	5" PVC Plug
R 30981	30981	6" PVC Plug
R 31228	31228	Plastic Carrying Case

PVC Cutter



862

- Cuts 3/4" schedule 40 PVC
- Cuts 1/8" - 1-3/8" (3-35mm) O.D. flexible plastic pipe
- Diecast aluminum alloy body for added strength and blade guide for square cuts
- Reversible blade for twice the life
- Handle latch for safety

SPECIFICATIONS

Capacity	Up through 1-3/8" O.D. Flexible Plastic Pipe
Weight	0.36 lbs. (0.16 kg)

CAT. NO.	UPC NO.	DESCRIPTION
862	89806	Plastic Pipe Cutter

PVC Cutter for up to 1-1/4"



864

- Ratchet action for fast, easy cutting
- Heat-treated, replaceable steel blade for long cutting life
- Rugged metal alloy frame for durability

SPECIFICATIONS

Capacity	Up thru 1-1/4" PVC
Weight	0.8 lbs. (0.4 kg)

CAT. NO.	UPC NO.	DESCRIPTION
864	04253	PVC Cutter for up to 1-1/4"
R 00355	00355	Blade Kit

PVC Cutter for up to 2"



865

- High-leverage compound ratchet action and long handles reduce effort
- Heavy-duty metal frame for cutting large diameters
- Sharpenable and replaceable tool steel blade

SPECIFICATIONS

Capacity	Up thru 2" PVC
Weight	2.5 lbs. (1.1 kg)

CAT. NO.	UPC NO.	DESCRIPTION
865	09865	PVC Cutter for up to 2"
R 07978	07978	Blade

Protractor with Magnetic Base



1895

SPECIFICATIONS

Weight 0.4 lbs. (0.2 kg)

CAT. NO.	UPC NO.	DESCRIPTION
1895	35905	Angle Protractor with Magnetic Base

CAMERAS

FF200 FishFinder® Plus Vision System



FF200

- Inspect near energized circuits with 4' (1.2m) CAT IV 600V; CAT III 1000V optical cable
- Water tight optical cable for submerged inspections
- Built-in memory for capturing over 2000 pictures
- Image download capability & RCA video output
- 180° image rotation for easy viewing

SPECIFICATIONS

CAT IV 600V; CAT III 1000V optical cable
TÜV Product Service
CE Rating-European Directives

Kit Includes:

- Handheld Display Unit
- 4' (1.2m) CAT IV 600V; CAT III 1000V Optical Cable
- 4 AA Batteries
- USB Cable
- Hook, Magnet and Mirror Tip Accessories
- Rugged Carrying Case

CAT. NO.	UPC NO.	DESCRIPTION
FF200	12424	FishFinder Plus Vision System
R 56270	56270	48" (14 mm) Replacement Optical Cable

VACUUM/BLOWERS

690-15 Vacuum/Blower Power Fishing System

NEW PRODUCT



- Rugged, self-contained unit includes everything you need to blow or vacuum fish line, poly line or measuring tape
- Durable tank and accessory storage box are corrosion, chemical and impact-resistant polyethylene
- Designed for the job site; 10' (3.05 m) long hose, large heavy-duty wheels and removable accessory box
- Large 11 gallon (41.6 l) tank makes the 690 excellent for vacuuming water and debris

SPECIFICATIONS

Capacity	1/2" - 4" Conduit (5" and 6" with optional foam pistons) see page 182
Power Source	120 VAC
Weight	50 LBS (22.7 kg)
Air Flow	120 cfm
Pressure	Will lift 110" (2794 mm) of water

CAT. NO.	UPC NO.	DESCRIPTION
N 690-15	01554	Vacuum/Blower Power Fishing System - 120 VAC
A 618	16517	Piston for 5" Conduit
A 619	16951	Piston for 6" Conduit
A 16646	16646	Accessory - Adapter for 5" - 6" conduit



KEY	CAT. NO.	UPC NO.	DESCRIPTION
A	24779	24779	Piston set for 1/2"-4" conduit (EMT & Rigid)
B	23360	23360	Adapter Nozzle for tape and line
C	25646	25646	Adapter Cone 1/2"-1" Conduit
D	25644	25644	Adapter Cone 1-1/4"-2-1/2" Conduit
E	25645	25645	Adapter Cone 3"-4" Conduit
F	595	32433	Fish Line - 85 LBS (378 N) pulling strength; 2,150' (655 m) long
G	690-RM	01552	Replacement Motor for 690-15
H	690-RT	01553	Replacement Tank for 690-15
I	RH10	01541	Flexible Hose 10' x 1 1/2" (3.05 m x 38.1 mm)
I	RH15	01542	Flexible Hose 15' x 1 1/2" (4.57 m x 38.1 mm)
I	RH25	01543	Flexible Hose 25' x 1 1/2" (7.62 m x 38.1 mm)

Portable Blower Power Fishing System



- Powerful, will blow line or measuring tape in up to 6" conduit
- Portable, lightweight blower has shoulder strap to make it easy to carry and allow the operator to have both hands free
- Efficient, includes the Mighty Mouser® blow gun for fast, easy line blowing

SPECIFICATIONS

Capacity	1/2" - 4" Conduit (5" and 6" with optional foam pistons)
Power Source	120 VAC 20 Amp
Weight	34 lbs. (15.2 kg)

CAT. NO.	UPC NO.	DESCRIPTION
591	32432	Portable Blower Power Fishing System
A 618	16517	Piston for 5" Conduit
A 619	16951	Piston for 6" Conduit
A 16646	16646	Adapter for 5" - 6" conduit

*See page 140 for parts list.

Mighty Mouser® Blow Gun Kit



- This compact, self-contained Lexan® thermoplastic blow gun holds a 2,150' (655 m) package of 85 lb. (378 N) breaking strength fish line
- Compact self-contained unit leaves one hand free for more efficient operation
- Mighty Mouser® Blow Gun and Accessories all fit into a compact sturdy metal case

SPECIFICATIONS

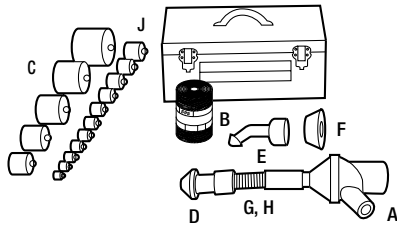
Capacity	1/2" - 4" conduit, through 6" with additional optional accessories
Power Source	Use with blower power fishing systems
Weight	592-20 lbs. (9 kg) 691-1.7 lbs. (0.8 kg)

CAT. NO.	UPC NO.	DESCRIPTION
592	32565	Mighty Mouser® Blow Gun Kit for 1/2" - 4" Conduit in metal box
R 691	32095	Mighty Mouser Blow Gun (only)
A 595	32433	Fish Line - 85 lbs. (378 N) pulling strength; 2,150' (655 m) long
A 618	16517	Piston for 5" Conduit
A 619	16951	Piston for 6" Conduit
A 16646	16646	Adapter for 5" - 6" conduit

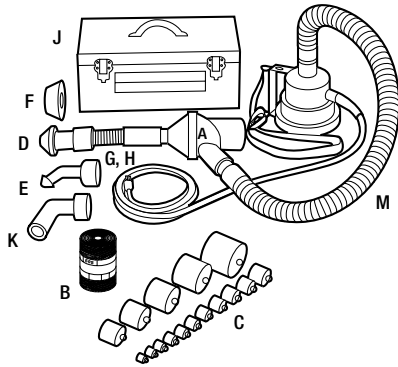
*See page 140 for parts list.

Lexan® is a registered trademark of SABIC Global Technologies B.V.

Parts List for Models 591 and 592



592 Mighty Mouser® Blow Gun Kit



591 Portable Blower Power Fishing System

KEY	CAT. NO.	UPC NO.	DESCRIPTION	592	591
A	691	32095	Mighty Mouser® Blow Gun	1	1
B	595	32433	Fish Line – 85 lbs. (378N) pulling strength; 2,150' (655 m) long	1	1
C	*		Piston set for 1/2"-4" conduit (EMT & Rigid)		
D	25644	25644	Adapter Cone 1-1/4"-2-1/2" Conduit	1	1
E	25646	25646	Adapter Cone 1/2"-1" Conduit	1	1
F	25645	25645	Adapter Cone 3"-4" Conduit		1
G	32104	32104	Flexible Hose 1-1/2" dia. x 1' (38.1 mm x 305 mm)	1	1
H	33451	33451	Hose Clamp		1
J	32662	32662	Storage Box	1	1
K	23360	23360	Adapter Nozzle for Tape and Line		1
M	32431	32431	Flexible Hose 1-1/2" x 4' (38.1 mm x 1.2 m)		1

*See below

Conduit Pistons



S2613

- Use with blower or vacuum power fishing system to pioneer the line through the conduit run
- Flexible foam body for an air-tight seal
- Color-coded end disk with embossed size markings for fast, easy selection
- Strong steel center rod with loops on both ends
- Pistons available for all types and sizes of conduit 1/2" through 6"

PISTON SETS

CAT. NO.	UPC NO.	DESCRIPTION
S2613	26777	1/2", 3/4", 1", 1-1/4", 1-1/2" and 2" EMT, IMC and Rigid
34317	34317	2-1/2", 3", 3-1/2" and 4" EMT

INDIVIDUAL PISTONS

CAT. NO.	UPC NO.	PACKAGE	CONDUIT SIZE	CONDUIT TYPE	COLOR
608-5	08263	POP	1/2"	All	Green
608	11038	BULK	1/2"	All	Green
609-5	08264	POP	3/4"	All	Green
609	11039	BULK	3/4"	All	Green
610-5	08265	POP	1"	All	Green
610	11040	BULK	1"	All	Green
611-3	08266	POP	1-1/4"	All	Green
611	11041	BULK	1-1/4"	All	Green
612-2	08267	POP	1-1/2"	All	Green
612	11042	BULK	1-1/2"	All	Green
613	16511		2"	All	Green
614	16512		2-1/2"	IMC, Rigid	Green
621	19107		2-1/2"	EMT	Yellow
615	16513		3"	IMC, Rigid	Green
622	19109		3"	EMT	Yellow
616	16514		3-1/2"	IMC, Rigid	Green
646	24326		3-1/2"	EMT	Yellow
617	16515		4"	IMC, Rigid	Green
623	19110		4"	EMT	Yellow
618	16517		5"	All	Green
619	16951		6"	All	Green

Poly Line



- Ready-to-use, pre-punched hole in lid with resealable cap
- Use with power fishing systems directly from the container
- Resists tangling when dispensing
- Rot and mildew resistant
- Handy reusable plastic dispenser pail with handle keeps the line dry
- Use to pull rope through conduit

SPECIFICATIONS

Capacity	430 and 430-500 - 210 lbs. (934 N) average breaking strength
	431 - 240 lbs. (1 kN) average breaking strength
	37959 - 500 lbs. (2.2 kN) average breaking strength
Weight	430 - 11 lbs. (5 kg)
	430-500 - 1 lb. (0.5 kg)
	431 - 12 lbs. (5.4 kg)
	37959 - 12 lbs. (5.4 kg)

CAT. NO.	UPC NO.	DESCRIPTION
430	21481	Poly Line 6500' (1981 m), Green Tracer
430-500	12598	Poly Line 500' (152 m), Green Tracer
431	21482	Poly Line 5200' (1585 m), Yellow Tracer
37959	37959	Poly Line 2200' (670 m), Red Tracer

MEASURING TAPES

High-Strength Polyaramid Measuring/Pulling Tapes



- Pull small cables or install pull rope for large cable pulling jobs
- Made of Polyaramid (equivalent to Kevlar®*), will not rot or deteriorate
Can be left in ducts indefinitely for future use
- Low stretch properties make measurements accurate
- Printed measurements every foot from zero to 3000' (914 m)
- Use 406 Dispenser

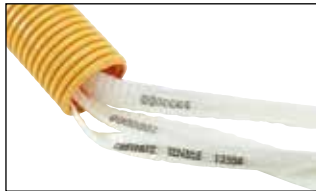
SPECIFICATIONS

Cat. No.	Average Breaking Strength	Length	Weight
39243	1250 lbs. (5.56 kN)	3000' (914 m)	10.5 lbs. (4.8 kg)
39244	1800 lbs. (8.01 kN)	3000' (914 m)	14.5 lbs. (6.6 kg)
39245	2500 lbs. (11.12 kN)	3000' (914 m)	18 lbs. (8.2 kg)

CAT. NO.	UPC NO.	DESCRIPTION
39243	39243	Conduit Measuring Tape 1/4" × 3000' (6.4 mm × 914 m)
39244	39244	Conduit Measuring Tape 3/8" × 3000' (9.5 mm × 914 m)
39245	39245	Conduit Measuring Tape 1/2" × 3000' (12.7 mm × 914 m)

* Kevlar is a registered trademark of E. I. du Pont de Nemours and Company

High-Strength Polyester Measuring/Pulling Tapes



- Durable and stretch-resistant tape for easily pulling and installing wire and fiber optic cables within PVC and HDPE ducts
- Factory-lubricated to reduce burn-through in innerduct
- Easy-to-read footage markings for quick and accurate measurements
- Available in various tensile strengths for use in any application

SPECIFICATIONS

Cat. No.	Average Breaking Strength	Length	Weight
4435	1250 lbs. (5.56 kN)	3000' (914 m)	23.6 lbs. (10.7 kg)
4436	1800 lbs. (8.01 kN)	3000' (914 m)	31.2 lbs. (14.2 kg)
4437	2500 lbs. (11.12 kN)	3000' (914 m)	39.4 lbs. (17.9 kg)

CAT. NO. UPC NO. DESCRIPTION

4435	10445	Polyester Measure/Pulling Tape 1/2" x 3,000' (12.7 mm x 914m)
4436	10446	Polyester Measure/Pulling Tape 5/8" x 3,000' (15.9 mm x 914m)
4437	10447	Polyester Measure/Pulling Tape 3/4" x 3,000' (19.1 mm x 914m)

Polyester Measuring Tape and Dispenser



435 Measuring Tape shown on 434 Dispenser – sold separately.

- Fish and measure conduit runs in one operation
- Permanently printed measurements every foot from zero to 3000' (914 m)
- Made of strong, waterproof polyester
- Pay-out dispenser has anti-skid pads, handle and built-in cutter

SPECIFICATIONS

Size	3000' (914 m)
Capacity	170 lbs. (756 kN) average breaking strength
Weight	435: 4.4 lbs. (2.0 kg), 434: 3.5 lbs. (1.6 kg)

CAT. NO. UPC NO. DESCRIPTION

435	21562	Conduit Measuring Tape 3/16" x 3000' (4.8 mm x 914 m)
A 434	21875	Pay-Out Dispenser for 435 Conduit Measuring Tape

Meeting today's stringent safety standards is essential.

Greenlee's certification of selected instruments to both the most recent IEC and UL requirements brings you assurance of the highest level of protection currently available.

What you should know about Measurement Category ratings.

IEC Category standards specify protection levels that are far above a system's rated capacity. Without this additional protection, transient over-voltages, which are becoming increasingly common, can lead to serious injury or death.

Measurement Category I is the signal level for telecommunications and electronic equipment or other circuits that are not directly connected to the utility mains.

Measurement Category II is the local level for fixed or non-fixed powered devices – everything from lighting to appliances to office equipment such as copiers. May also be used in Category I areas.

Measurement Category III is the distribution level – fixed primary feeders or branch circuits. These circuits are usually separated from Category IV (whether utility service or other high-voltage source) by a minimum of one level of transformer isolation. May also be used in Category II and Category I areas.

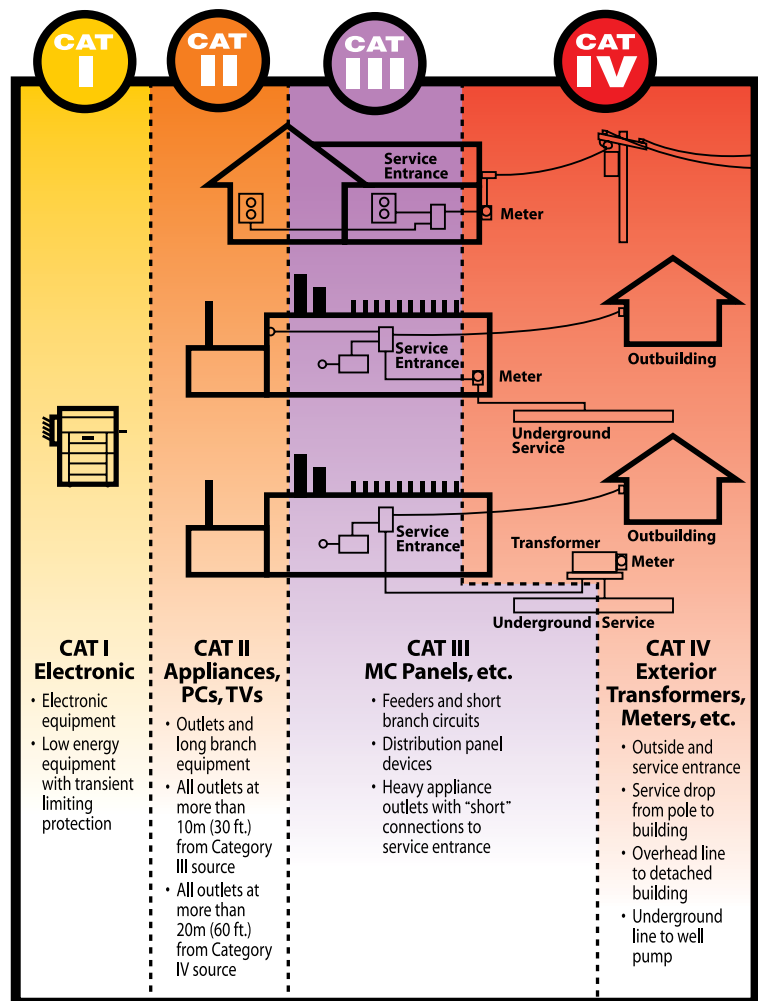
Measurement Category IV is the primary supply level. Greenlee is leading the way in offering protection certified to conform with the highest level of protection as specified by UL & IEC standards. May be used in all Category environments.

Greenlee Instruments – Independently tested and certified to meet the standards.

Throughout this catalog, you'll see Category designations for many Greenlee instruments indicating that they comply with UL & IEC Category II, III, IV. All of these designations reflect third-party testing by independent testing organizations such as UL and ETL – added assurance for you. While there is no requirement for independent verification, we believe you deserve it.

Get the right protection for the job.

Wherever you need over-voltage protection, choose at least the rating appropriate to the type of work you expect to be doing. If you have any questions on using Greenlee test instruments to help ensure user safety, please contact Greenlee.



ELECTRICAL TESTERS

Electrical Testers Comparison Guide

FEATURE	CMT-90	CMT-80	2010	GT-16	GT-12
VDC (V max)	1000	600			
VAC (V max)	1000	600	1000	1000	1000
AAC (A max)	600	400			
Continuity and beeper	•	•			
Resistance	•	•			
Data hold	•	•			
Non-contact voltage detection			•	•	•
Adjustable sensitivity			•	•	
Display type	Digital	Digital	LED	LED	LED
Measurement Category	IV, 600V III, 1000V	III, 600V	III, 1000V	IV, 1000V	IV, 1000V
UL/cUL	•	•	•	•	•
CE	•	•	•	•	•

Automatic Electrical Tester



CMT-90

- Hassle-free, automatic measurement of amperage, voltage and resistance
- Low impedance eliminates stray or "ghost" voltage readings
- True RMS for the most accurate measurement when harmonics are present
- High resolution, auto-illuminating LCD backlit display
- Auto off for longer battery life
- Resistance measurement
- Audible continuity test
- Diode test
- Data hold to capture measurements
- Accessories included: (1) 9 V battery, test leads and carrying case
- Lifetime Limited Warranty

SPECIFICATIONS

Amperage Measurement	AC A 0.9 to 600.0
Voltage Measurement	AC V: 1.3 to 999.9; DC V: 2.1 to 999.9; -0.7 to -999.9
Resistance	999Ω; 9.999kΩ
Display	10,000-count LCD
Jaw Opening	1.34" (34 mm)
Measurement Category	CAT IV, 600 V; CAT III, 1000 V

CAT. NO.	UPC NO.	DESCRIPTION
CMT-90	12123	Electrical Tester, 1000V, 600A
00606	00606	Test Leads
TC-10	07534	Carrying case

Automatic Electrical Tester



CMT-80

- Hassle-free, automatic measurement of amperage, voltage and resistance
- Low impedance eliminates stray or "ghost" voltage readings
- Compact design for measuring in tight spaces
- Resistance measurement
- Audible continuity test
- Diode test
- Data hold to capture important readings
- Auto off for longer battery life
- Accessories included: (1) 9 V battery, test leads, carrying case
- Lifetime Limited Warranty

SPECIFICATIONS

Amperage Measurement	0.9 - 400.0A AC
Voltage Measurement	AC V: 1.3-600.0V; DC V: 2.1-600.0; -0.7 to -600.0V
Resistance	999Ω; 9.999kΩ
Display	10,000-count LCD
Jaw Opening	1.06" (27 mm)
Measurement Category	CAT III, 600V

CAT. NO.	UPC NO.	DESCRIPTION
CMT-80	07735	Electrical Tester
11372	11372	Test Leads
TC-5	07588	Carrying case

Touchless AC Voltage Indicator



2010

- Bright LED and audible alarm if voltage is present
- Fast, easy, non-contact voltage detection
- Adjustable sensitivity
- Identifies hot and neutral conductors
- Checks individual breakers for power
- Accessories included: (1) 9V battery
- Lifetime Limited Warranty

SPECIFICATIONS

Voltage Measurement	AC V 24-1000
Frequency	50-500Hz
Measurement Category	CAT III, 1000V

CAT. NO.	UPC NO.	DESCRIPTION
2010	34470	Touchless AC Voltage Indicator

Adjustable Non-Contact Voltage Detector



GT-16

- Adjustable to safely detect power and low voltage
- Safely detects AC voltage without touching the bare conductor
- Adjustable for use on power wiring plus lighting, thermostats and other low voltage circuits
- Use to detect voltage in outlets, lighting fixtures, wires and cables
- Finds breaks in wires
- Identifies hot and neutral conductors
- Low battery indication
- Accessories included: (1) 1.5V AAA battery
- Lifetime Limited Warranty

SPECIFICATIONS

Voltage Detection:	AC V 5-1000
Frequency:	50-500Hz
Measurement Category:	CAT IV, 1000V

CAT. NO.	UPC NO.	DESCRIPTION
GT-16	12727	Adjustable Non-Contact Voltage Detector

Non-Contact Self Testing Voltage Detector



GT-12A

- Single button operation
- CAT IV 1,000 V rated for maximum safety
- Patented automatic self-test runs every 2 seconds for accurate results every time
- Automatically shuts off after 5 minutes of inactivity to extend battery life
- Bright LEDs flash and audible alarm sounds if AC voltage is present
- Silent mode for use in quiet areas
- Safe, non-contact voltage detection
- Lifetime Limited Warranty
- Designed and assembled in USA

SPECIFICATIONS

Voltage Detection:	AC V 50-1000
Frequency:	50-500Hz
Measurement Category:	CAT IV, 1000V
Battery Type	2 x AAA (included)

CAT. NO.	UPC NO.	DESCRIPTION
GT-12A	00890	Detector, Voltage Non-Contact

MULTIMETERS

DMM Comparison Guide

FEATURE	DM-860A	DML-430A	DM-830A	DM-820A	DM-810A	DM-510A	DM-210A	DM-200A
True RMS	AC+DC	AC+DC	AC+DC	•	•	•		
DCA (A max)	10	10	10	10	10	8	8	8
Maximum resolution (µA)	0.01	0.1	0.1	0.1	0.1	0.1	0.1	0.1
Best accuracy (%)	0.1	0.2	0.2	0.2	0.2	0.5	0.5	0.5
ACA (A max)	10	10	10	10	10	8	8	8
Maximum resolution (µA)	0.01	0.1	0.1	0.1	0.1	0.1	0.1	0.1
Best accuracy (%)	0.5	0.6	0.6	0.6	0.6	1.0	1.0	1.0
DCV (V max)	1000	1000	1000	1000	1000	1000	1000	1000
Maximum resolution (µV)	1	10	10	10	10	10	10	10
Best accuracy (%)	0.02	0.06	0.06	0.06	0.06	0.2	0.2	0.2
ACV (V max)	1000	1000	1000	1000	1000	1000	1000	1000
Maximum resolution (µV)	10	10	10	10	10	10	10	10
Best accuracy (%)	0.3	0.5	0.5	0.5	0.5	1.0	1.0	1.0
Resistance (MΩ)	50	60	60	60	60	60	60	60
Maximum resolution (mΩ)	10	100	100	100	100	100	100	100
Best accuracy (%)	0.07	0.1	0.1	0.1	0.1	0.5	0.5	0.5
Conductance	•	•	•	•				
Continuity and beeper	•	•	•	•	•	•	•	•
Diode Test	•	•	•	•	•	•	•	•
Capacitance	•	•	•	•	•	•	•	
Frequency	•	•	•	•	•	•	•	•
Frequency Response (Hz)	20-100k	40-500	40-500	40-500	40-500	50-400	50-400	50-400
Temperature Measurement	Dual	Dual	Dual	Single		Single	Single	
Display Type	Dual Digital	Dual Digital	Dual Digital	Dual Digital	Dual Digital	Digital	Digital	Digital
Display counts	50,000 500,000	10,000	10,000	10,000	10,000	6,000	6,000	6,000
Backlight	•	•	•	•	•	•	•	•
Display update X/sec	5	5	5	5	5	5	5	5
Analog bar graph segments	41	41	41	41	41	24	24	24
Analog update X/sec	60	60	60	60	60	40	40	40
Computer Interface	USB	USB	USB	USB	USB	USB, RS-232	USB, RS-232	USB, RS-232
Auto and manual ranging	•	•	•	•	•	•	•	•
Intelligent Auto Power Off	•	•	•	•	•			
Auto Power Off						•	•	•
Non-Contact Voltage Detection			•	•		•	•	•
Low Impedance AutoCheck™ mode		•	•			•		
Beep-Jack™ Input error warning	•	•	•	•	•	•	•	•
Peak (crest) Hold - Max, Min	•	•	•	•		•		
Data Hold	•	•	•	•	•	•	•	•
Max/Min/Avg	•	max, min	•	•		max, min		
Relative offset mode (Δ)	•	•	•	•	•	•	•	•
Process loop measurement	•							
Data logging (points stored, single channel)		87,000						
Data logging (points stored, dual channel)		43,000						
Duty cycle	•	•	•	•	•			
VFD (Variable Frequency Drive) ACV & Hz	•							
Measurement Category Rating	IV, 1000V	IV, 1000V	IV, 1000V	IV, 1000V	IV, 1000V	IV, 300V III, 600V II, 1000V	IV, 300V III, 600V II, 1000V	IV, 300V III, 600V II, 1000V
UL or ETL	•	•	•	•	•	•	•	•
cUL, cETL or CSA	•	•	•	•	•	•	•	•
CE	•	•	•	•	•	•	•	•

DMM Comparison Guide

FEATURE	DM-65	DM-45	DM-25	PDMM-20
True RMS				
DCA (A max)	10	10		
Maximum resolution (µA)	0.1	0.1		
Best accuracy (%)	1.0	1.0		
ACA (A max)	10	10		
Maximum resolution (µA)	0.1	0.1		
Best accuracy (%)	1.8	1.8		
DCV (V max)	1000	600	600	450
Maximum resolution (µV)	100	100	10 mV	1000
Best accuracy (%)	0.8	0.8	0.8	0.5
ACV (V max)	1000	600	600	450
Maximum resolution (µV)	1000	1000	0.1V	1000
Best accuracy (%)	0.8	0.8	1.2	1.5
Resistance (MΩ)	60	40	2	6
Maximum resolution (mΩ)	100	100	100	1000
Best accuracy (%)	1.0	1.0	1.0	1.0
Conductivity				
Continuity and beeper	•	•	•	•
Diode test	•	•	•	
Capacitance	•	•		•
Frequency	•	•		•
Frequency response (Hz)	40-400	40-400	40-400	50-60
Temperature measurement	Single	Single		
Display type	Digital	Digital	Digital	Digital
Display counts	6000	4000	2000	6000
Backlight	•	•		
Display update X/sec	3	3	2.5	5
Analog bar graph segments	61			
Analog update X/sec	3			
Computer interface				
Auto and manual ranging	•	•		
Intelligent Auto power off				•
Auto power off	•	•		
Non-contact voltage detection				•
Low Impedance AutoCheck™ mode				•
Beep-Jack™ Input error warning				
Peak (crest) Hold - Max, Min				
Data hold	•	•		
Min/Max/Avg				
Relative offset mode (Δ)	•	•		
Process loop measurement				
Data logging (points stored, single channel)				
Data logging (points stored, dual channel)				
Duty cycle	•	•		
VFD (variable frequency drive) ACV & Hz				
Measurement Category Rating	IV, 600V III, 1000V	III, 600V	III, 600V	III, 300V II, 450V
UL or ETL	•	•	•	•
cUL, cETL or CSA	•	•	•	•
CE	•	•	•	•
CE				•

ESM™ Industrial 500,000-Count Digital Multimeter



DM-860A

SPECIFICATIONS

Voltage Measurement	500.00mV; 5.0000, 50.000, 500.00, 1000.0V
DC Voltage Measurement	500,000 counts mode: 500.00mV; 5.00000, 50.0000, 500.000, 1000.00V
Amperage Measurement	500.00, 5000.0µA; 50.000, 500.00mA; 5.0000, 10.000A
Resistance	500.00Ω; 5.0000, 50.000, 500.00kΩ; 5.0000, 50.000MΩ
Conductance	99.99 nS
Capacitance	50.00; 500.0nF; 5.000, 50.00, 500.0µF; 5.000, 25.00 mF
Frequency	5Hz-200kHz sine wave; 5Hz-2MHz logic level square wave
Temperature	K type, -58°F to 1832°F (-50°C to 1000°C)
Measurement Category	CAT IV, 1000V

- AC+DC True RMS, 50,000-count display for greater accuracy 500,000 count available in DC voltage mode
- VFD (variable frequency drive) voltage and frequency functions for accurate readings on noisy drive waveforms
- Beep-Jack™ audible and visual input alert helps avoid blown fuses or damage to meter
- 41-segment analog bar graph makes it easy to view quick changes
- Record max, min, avg., and max-min and data hold
- Crest capture (peak hold) max and min readings
- Relative offset display mode makes monitoring relative measurement changes simple
- Performs resistance, conductance, frequency, duty cycle, temperature and capacitance measurements, plus diode and continuity tests
- Dual temperature measurement up to 1832°F/1000°C using type K thermocouples
- Bright backlit display is easy to read under any light condition
- Intelligent Auto Power Off conserves battery life but will not turn meter off during measurements.
- Wide AC bandwidth – to 100 kHz for voltage and 20 kHz for current
- USB Interface using optional DMSC-9U cable and software allows connection to a PC for extended measurement capability
- Accessories included: (1) 9V battery, bead temperature probe (400°F/ 204°C max.), test leads, protective boot, carrying case
- Lifetime Limited Warranty

CAT. NO.	UPC NO.	DESCRIPTION
----------	---------	-------------

N	DM-860A	12938	Industrial 500,000-Count Digital Multimeter
N	DM-860A-C*	02069	Industrial 500,000-Count Digital Multimeter
R	TC-20	07535	Carrying Case (included)
R	TSG-3	12034	Sure-Grip Test Leads
R	TPB	07592	Bead Temperature Probe
A	DMSC-9U	35773	For DM-800A Series and DML-430A Multimeters

* Includes Certificate of Calibration

ESM™ Digital Logging Meter



FEATURING:



DML-430A



SPECIFICATIONS

Voltage Measurement	60.00, 600.0 mV; 9.999, 99.99, 999.9V
Amperage Measurement	600.0, 6000µA; 60.00, 600.0mA; 6.000, 10.00A
Resistance	600.0Ω; 6.000, 60.00, 600.0 kΩ; 6.000, 60.00 MΩ
Conductance	99.99nS
Capacitance	60.00, 600.0nF; 6.000, 60.00, 600.0µF; 6.000, 25.00 mF
Frequency	15Hz-50kHz sine wave; 5Hz-1MHz logic level square wave
Temperature	K type, -58 to 1832 °F (-50 to 1000 °C)
Measurement Category	CAT IV, 1000V

- Datalogging capability – stores 87,000 single-channel or 43,000 dual-channel measurements. Use optional USB interface DMSC-9U to transfer data to PC or for direct-to-PC logging
- AC+DC True RMS gives accurate readings on complex waveforms
- Low impedance AutoCheck™ mode – automatically selects AC or DC volts, resistance or continuity. Low impedance masks “ghost” voltage pickup
- Backlit LCD displays 2 readings with 10,000 count resolution
- BeepJack™ warns when test leads are incorrectly inserted in current measurement terminals
- Measures voltage, current, resistance, conductance, frequency and capacitance
- Checks continuity and tests diodes
- Two temperature measurements using type K thermocouples
- Accessories included: (1) 9V battery, bead temperature probe (400°F / 204°C max.), test leads, protective boot, carrying case
- Lifetime Limited Warranty

CAT. NO.	UPC NO.	DESCRIPTION
----------	---------	-------------

R	DML-430A	08746	Digital Logging Meter (43,000 data points)
R	DML-430A-C*	35771*	Digital Logging Meter (43,000 data points)
R	TC-20	07535	Carrying Case (included)
R	TSG-3	12034	Sure-Grip Test Leads
R	TPB	07592	Bead Temperature Probe

* Includes Certificate of Calibration

ESM™ Series Digital Multimeters



DM-830A



DM-820A



DM-810A

DM-810A features:

- True RMS for no-compromise accuracy
- Measures voltage, current, resistance, capacitance and frequency
- Tests continuity and diodes
- Backlit LCD with dual 10,000 count displays
- BeepJack™ warns when test leads are incorrectly inserted in current measurement terminals
- Automatic and manual range selection
- Relative offset mode to see changes in measurements
- Data hold
- Use optional USB interface DMSC-9U for direct-to-PC logging
- Lifetime Limited Warranty

DM-820A also features:

- Crest capture (peak hold) plus recording of max, min, max-min and average
- Two voltage detection modes – non-contact or using a single test lead
- One temperature measurement using a type K thermocouple
- Conductance measurement

DM-830A has all DM-810A features plus:

- AC+DC True RMS gives accurate readings on complex waveforms
- Low impedance AutoCheck™ mode – automatically selects AC or DC volts, resistance or continuity. Low impedance masks “ghost” voltage pickup
- dBm function with 20 selectable reference impedance values
- Crest capture (peak hold) plus recording of max, min, max-min and average
- Two voltage detection modes – non-contact or using a single test lead
- Two temperature measurements using type K thermocouples
- Conductance measurement

Accessories included:

- (1) 9V battery, bead temperature probe (DM-820A, DM-830A only), 400°F/204°C max), test leads, protective boot, carrying case

SPECIFICATIONS

Voltage Measurement	60.00, 600.0 mV; 9.999, 99.99, 999.9V
Amperage Measurement	600.0, 6000µA; 60.00, 600.0mA; 6.000, 10.00A
Resistance	600.0Ω; 6.000, 60.00, 600.0 kΩ; 6.000, 60.00 MΩ
Conductance	99.99nS
Capacitance	60.00, 600.0nF; 6.000, 60.00, 600.0µF; 6.000, 25.00 mF
Frequency	15Hz-50kHz sine wave; 5Hz-1MHz logic level square wave
Temperature	K type, -58 to 1832 °F (-50 to 1000 °C)
Measurement Category	CAT IV, 1000V

CAT. NO.	UPC NO.	DESCRIPTION
DM-830A	08745	Digital Multimeter
DM-830A-C*	35770*	Digital Multimeter
DM-820A	08744	Digital Multimeter
DM-820A-C*	35760*	Digital Multimeter
DM-810A	08743	Digital Multimeter
DM-810A-C*	35759*	Digital Multimeter
R TC-20	07535	Carrying Case
R TSG-3	12034	Sure-Grip Test Leads
R TPB	07592	Bead Temperature Probe (included with DM-820A, DM-830A)

* Includes Certificate of Calibration

ESM™ Series Digital Multimeters



DM-510A



DM-210A



DM-200A

DM-200A features:

- Measures voltage, current, resistance and frequency
- Tests continuity and diodes
- Backlit LCD with 6,000 count display
- Two voltage detection modes – non-contact or using a single test lead
- BeepJack™ warns when test leads are incorrectly inserted in current measurement terminals
- Automatic and manual range selection
- Relative offset mode to see changes in measurements
- Data hold
- Use optional USB / RS-232 interface DMSC-2U for direct-to-PC logging
- Lifetime Limited Warranty

DM-210A also features:

- Measures capacitance
- Measures temperature using a type K thermocouple

DM-510A has all DM-200A features plus:

- True RMS for no-compromise accuracy
- Crest capture (peak hold) plus recording of max, min, max-min and average
- Low impedance AutoCheck™ mode – automatically selects AC or DC volts, resistance or continuity. Low impedance masks “ghost” voltage pickup
- Measures capacitance
- Measures temperature using a type K thermocouple

Accessories included:

(2) 1.5V AAA batteries, bead temperature probe (DM-210A, DM-510A only, 400°F/204°C max), test leads, protective boot

SPECIFICATIONS

Voltage Measurement	60.00, 600.0 mV; 6.000, 60.00, 600.0, 1000V
Amperage Measurement	600.0, 6000µA; 60.00, 600.0mA; 6.000, 8.00A
Resistance	600.0Ω; 6.000, 60.00, 600.0 kΩ; 6.000, 60.00 MΩ
Capacitance	60.00, 600.0nF; 6.000, 60.00, 600.0, 3000µF
Frequency	10Hz-50kHz sine wave; 5Hz-999.9kHz logic level square wave
Temperature	K type, -58 to 1832 °F (-50 to 1000 °C)
Measurement Category	CAT IV 300V; CAT III 600V; CAT II 1000V

CAT. NO.	UPC NO.	DESCRIPTION
DM-510A	08742	Professional Plant Digital Multimeter
DM-510A-C*	35758*	Professional Plant Digital Multimeter
DM-210A	08741	Digital Multimeter
DM-210A-C*	35757*	Digital Multimeter
DM-200A	08740	Digital Multimeter
DM-200A-C*	35756*	Digital Multimeter
[R] TSG-3	12034	Sure-Grip Test Leads

* Includes Certificate of Calibration

Digital Multimeter

NEW PRODUCT

LIFETIME WARRANTY

CAT III **CAT IV**
CE **ETL US**
Intertek



DM-65

- Measures AC/DC voltage, AC/DC current, resistance, temperature, frequency, duty cycle and capacitance
- Diode and audible continuity tests
- Relative offset mode to see changes in measurements
- Data hold
- Backlit, 6000 count LCD with bar graph
- Lifetime Limited Warranty

SPECIFICATIONS

Amperage Measurement	600.0, 6000 μ A; 60.00, 600.0 mA; 6.000, 10.00 A
Voltage Measurement	AC V: 6.000, 60.00, 600.0, 1000 V; DC V: 600.0 mV; 6.000, 60.00, 600.0, 1000 V
Resistance Measurement	600.0 Ω ; 6.000, 60.00, 600.0 k Ω ; 6.000, 60.00 M Ω
Frequency Measurement	9.999 Hz to 999.9 kHz
Temperature Measurement	-4 to 1832 $^{\circ}$ F (-20 to 1000 $^{\circ}$ C)
Capacitance Measurement	40.00, 400.0 nF; 4.000, 40.00, 400.0, 4000 μ F
Measurement Category	CAT IV, 600V; CAT III, 1000V

CAT. NO.	UPC NO.	DESCRIPTION
N DM-65	00339	CATIII, 1000V; CATIV 600V Auto-Ranging Digital Multimeter
R TSG-3	12034	Test Leads

Digital Multimeter

NEW PRODUCT

LIFETIME WARRANTY

CAT III
CE **ETL US**
Intertek



DM-45

- Measures AC/DC voltage, AC/DC current, resistance, temperature, frequency, duty cycle and capacitance
- Diode and audible continuity tests
- Relative offset mode to see changes in measurements
- Data hold
- Backlit, 4000 count LCD
- Lifetime Limited Warranty

SPECIFICATIONS

Amperage Measurement	400.0, 4000 μ A; 40.00, 400.0 mA; 4.000, 10.00 A
Voltage Measurement	AC V: 4.000, 40.00, 400.0, 1000 V; DC V: 400.0 mV; 4.000, 40.00, 400.0, 1000 V
Resistance Measurement	400.0 Ω ; 4.000, 40.00, 400.0 k Ω ; 4.000, 40.00 M Ω
Frequency Measurement	9.999 Hz to 999.9 kHz
Temperature Measurement	-4 to 1832 $^{\circ}$ F (-20 to 1000 $^{\circ}$ C)
Capacitance Measurement	40.00, 400.0 nF; 4.000, 40.00, 200.0 μ F
Measurement Category	CAT III, 600V

CAT. NO.	UPC NO.	DESCRIPTION
N DM-45	00337	CATIII, 600V Auto-Ranging Digital Multimeter
R TSG-3	12034	Test Leads

Digital Multimeter

NEW PRODUCT

LIFETIME WARRANTY

CAT III
CE **ETL US**
Intertek



DM-25

- Measures AC/DC voltage, and resistance
- Diode and audible continuity tests
- Tests 1.5V and 9V batteries
- Lifetime Limited Warranty

SPECIFICATIONS

Voltage Measurement	AC V: 200.0, 600 V; DC V: 20.00, 200.0, 600 V
Resistance Measurement	200.0, 2000 Ω ; 20.00, 200.0, 2000 k Ω
Measurement Category	CAT III, 600V

CAT. NO.	UPC NO.	DESCRIPTION
N DM-25	00334	CATIII, 600V Manual Ranging Digital Multimeter

CLAMP-ON METERS

Clamp-on Meter Comparison Guide

FEATURE	CMGRT-100	CMI-2000	CMH-1000	CMI-1000	CM-1560	CM-1360
True RMS		•	•	•	•	•
DCA (A max)		2000	2500	1000	1000	
Maximum resolution (A)		0.1	0.1	0.1	0.1	
Best accuracy (%)		1.5	1.5	2.0	1.2	
ACA (A max)	30	2000	2100	1000	1000	1000
Maximum resolution (A)	1mA	0.1	0.1	0.1	0.1	0.1
Best accuracy (%)	2.5	1.5	1.5	2.0	1.9	1.9
DCV (V max)		600	600	600	1000	1000
Maximum resolution (V)		0.1	0.1mV	0.1mV	0.1	0.1
Best accuracy (%)		1.5	1.5	0.75	0.7	0.7
ACV (V max)		600	600	600	750	750
Maximum resolution (V)		0.1	0.1mV	0.1mV	0.1	0.1
Best accuracy (%)		1.5	1.5	1.2	1.0	1.0
Resistance (Ω)	1200		40M	40M	400	400
Maximum resolution (Ω)	0.01		0.1	0.1	0.1	0.1
Best accuracy (%)	1.5		1.5	1.0	1.0	1.0
Continuity and beeper			•	•	•	•
Diode test			•	•		
Capacitance		•	•	•	•	•
Frequency		•	•	•	•	•
Frequency response (Hz)	47-800	40-400	40-1k	40-450	50-500	50-500
Temperature (T1)		•	•	•		
Jaw opening	1.25" (32 mm)	2.17" (55 mm)	2.17" (55 mm)	1.81" (46 mm)	2.0" (51 mm)	1.85" (47 mm)
Display type	Digital	Dual Digital	Digital	Digital	Digital	Digital
Display update X/sec		2	2	2	2.5	2.5
Count	3000	4000	4000	4000	4000	4000
Analog bar graph segments			40	40	42	42
Analog update X/sec			20	20	13	13
Low battery indicator		•	•	•	•	•
Autoranging	•	•	•	•	•	•
Auto power off	•		•	•	•	•
Peak hold				•	•	•
Data hold	•	•	•	•	•	•
Min, max			•	•	•	•
Data logging		•				
Power factor		•				
True power (kW)		1200				
Apparent Power (kVA)		1200				
Measurement Category	III, 150V	III, 600V	III, 600V	III, 600V	IV, 600V III, 1000V	IV, 600V III, 1000V
UL		•	•	•	•	•
cUL or CSA		•	•	•	•	•
CE		•	•	•	•	•

Clamp-on Meter Comparison Guide

FEATURE	CM-960	CMH-600	CMI-600	CM-860	CM-660	CMT-90	CMT-80	CM-450	CM-410	CM-330
True RMS	•		•			•		•		
DCA (A max)	600	600								
Maximum resolution (A)	0.1	0.1								
Best accuracy (%)	1.2	1.2								
ACA (A max)	600	600	600	600	600	600	400	600	400	400
Maximum resolution (A)	0.1	0.1	0.1	0.1	0.1	0.1	0.1	0.01	0.1	0.01
Best accuracy (%)	1.9	1.9	1.9	1.9	1.9	1.9	1.8	1.5	1.9	2.0
DCV (V max)	600	600	600	600	600	1000	600	600	600	
Maximum resolution (V)	0.1	0.1	0.1	0.1	1	0.1	0.1	0.1mV	0.1	
Best accuracy (%)	0.7	0.7	0.7	0.7	0.8	1.0	1.0	0.3	1.0	
ACV (V max)	600	600	600	600	600	1000	600	600	600	
Maximum resolution (V)	0.1	0.1	0.1	0.1	1	0.1	0.1	1mV	0.1	
Best accuracy (%)	1.0	1.0	1.0	1.0	1.2	1.5	1.5	1.5	1.5	
Resistance (Ω)	400	400	400	400	2000	2000	2000	40M	20M	
Maximum resolution (Ω)	0.1	0.1	0.1	0.1	1	0.1	1	0.1	0.1	
Best accuracy (%)	1.0	1.0	1.0	1.0	1.5	2.0	2.0	0.6	0.7	
Continuity and beeper	•	•	•	•	•	•	•	•	•	
Diode test						•	•	•		
Capacitance	•	•	•	•						
Frequency	•	•	•	•				•		
Frequency response (Hz)	50-500	50-500	50-400	50-400	40-500	50-500	50-60	50-60	50-500	50-60
Temperature (T1)		•	•							
Jaw opening	1.38" (35 mm)	1.38" (35 mm)	1.34" (34 mm)	1.34" (34 mm)	1.38" (35 mm)	1.34" (34 mm)	1.06" (27 mm)	1.02" (26 mm)	1.06" (27 mm)	1.06" (27 mm)
Display type	Digital	Digital	Digital	Digital	Digital	Digital	Digital	Digital	Digital	Digital
Display update X/sec	2.5	2.5	2.5	2.5	4	1 to 4	1 to 4	3	1.5	2.5
Count	4000	4000	4000	4000	2000	10,000	10,000	4000	2000	2000
Analog bar graph	42 segments	42 segments	42 segments	42 segments						
Analog update X/sec	13	13	13	13						
Low battery indicator	•	•	•	•	•	•	•	•	•	•
Autoranging	•	•	•	•				•	•	
Auto power off	•	•	•	•	•	•	•	•	•	
Peak hold	•	•	•	•						
Data hold	•	•	•	•	•	•	•	•	•	•
Min, max	•	•	•	•						max only
Data logging										
Power factor										
True power (kW)										
Apparent Power (kVA)										
Measurement Category	III, 600V	III, 600V	III, 600V	III, 600V	III, 600V	IV, 600V III, 1000V	III, 600V	III, 600V	III, 600V	III, 600V
UL	•	•	•	•	•	•	•	•	•	•
cUL or CSA	•	•	•	•	•	•	•	•	•	•
CE	•	•	•	•	•					

Ground Resistance Tester



CMGRT-100

- Reads ground resistance down to 0.10Ω
- Fully autoranging with data hold to capture readings
- Convenient alarm and 99-point memory functions
- Measures up to 30A RMS ground or leakage current
- Measures currents down to 1 mA
- Accessories included: (1) 9V battery, molded carrying case, test resistance loop
- Lifetime Limited Warranty

SPECIFICATIONS

Ground Resistance Measurement	0.10 to 1200Ω
Ground/Leakage Current Measurement	299mA; 2.999A, 29.99A
Display	3-3/4-digit LCD, 2999-count
Jaw Opening	1.25" (32 mm)
Measurement Category	CAT III, 150V

CAT. NO.	UPC NO.	DESCRIPTION
CMGRT-100	07653	Ground Resistance Tester
CMGRT-100-C*	07730*	Ground Resistance Tester

* Includes Certificate of Calibration

2000A Industrial Clamp meter



CMI-2000

- Measures AC+DC current
- AC and AC+DC voltage measurements with selectable digital low pass filter for accurate voltage and frequency readings on variable frequency drives
- Also measures DC voltage, resistance, capacitance, temperature and frequency
- Tests continuity and diodes
- Low impedance AutoCheck™ mode automatically selects AC or DC volts, resistance or continuity
- Low impedance masks "ghost" voltage pickup
- Backlight and relative mode for added versatility
- Two voltage detection modes – non-contact or using a single test lead
- Computer interface capability using optional CMSC-1U cable and software
- Data hold
- Crest (peak hold) feature captures current or voltage peaks as short as 5 milliseconds
- Lifetime Limited Warranty

SPECIFICATIONS

Amperage Measurement	200, 2000A AC + DC
Voltage Measurement	6, 60, 600, 1000V AC + DC
Display	LCD with dual measurements
Frequency Rating	40 to 400 Hz
Resistance	600, 6k, 60k, 600k, 6M, 40M Ohms
Jaw Opening	2.1" (55 mm)
Measurement Category	CAT IV 1000V

CAT. NO.	UPC NO.	DESCRIPTION
CMI-2000	02186	2000A Power Clamp
CMI-2000C*	02207	2000A Power Clamp
TSG-3	12034	Test Leads
TC-30	07536	Carrying Case
CMSC-1U	02542	Interface Kit

* Includes Certificate of Calibration

1000A Industrial Clamp Meter

NEW PRODUCT



CMI-1000

- Measures AC+DC current and DC microamps
- AC and AC+DC voltage measurements with digital low pass filter for accurate readings on variable frequency drives
- Also measures DC voltage, resistance, capacitance, temperature and frequency
- Tests continuity and diodes
- Phase Sequence and Motor Rotation tests
- Peak-RMS measures motor in rush current
- Flashlight inside clamp jaw for easier work in dark locations
- Backlight and relative mode for added versatility
- AmpTip™ increases accuracy on small wires and low current
- Two voltage detection modes – non-contact or using a single test lead
- Data hold
- Recording of Maximum, Minimum and Average readings
- Crest (peak hold) feature captures current or voltage peaks as short as 5 milliseconds
- Lifetime Limited Warranty

SPECIFICATIONS

Amperage Measurement	60, 600, 1000A, AC + DC
Voltage Measurement	600, 1000V AC + DC
Display	LCD, 6000 Count
Frequency Rating	Voltage: 50/60 Hz; Current: 40 to 400 Hz
Resistance	600, 6k, 60k Ohms
Jaw Opening	2" (51 mm)
Measurement Category	CAT III 1000V, CAT IV 600V

CAT. NO.	UPC NO.	DESCRIPTION
N CMI-1000	02187	2500A Industrial Clamp Meter
N CMI-1000-C*	02212	2500A Industrial Clamp Meter
R 02714	02714	Test Leads
R TC-30	07536	Carrying Case

* Includes Certificate of Calibration

600A Industrial Clamp Meter

NEW PRODUCT



CMI-600

- Measures AC+DC current and DC microamps
- AC and AC+DC voltage measurements with digital low pass filter for accurate readings on variable frequency drives
- Also measures DC voltage, resistance, capacitance, temperature and frequency
- Tests continuity and diodes
- Phase Sequence and Motor Rotation tests
- Peak-RMS measures motor in rush current
- Backlight and relative mode for added versatility
- AmpTip™ increases accuracy on small wires and low current
- Two voltage detection modes – non-contact or using a single test lead
- Data hold
- Recording of Maximum, Minimum and Average readings
- Lifetime Limited Warranty

SPECIFICATIONS

Amperage Measurement	60, 600A AC + DC
Voltage Measurement	600V AC + DC
Display	LCD, 6000 Count
Frequency Rating	Voltage & Amp Tip™ Current: 50/60 Hz; High Current: 50 to 400 Hz
Resistance	600, 6k, 60k Ohms
Jaw Opening	1.18" (30 mm)
Measurement Category	CAT III 600V, CAT IV 300V

CAT. NO.	UPC NO.	DESCRIPTION
N CMI-600	02191	Industrial Clamp Meter
N CMI-600-C*	02229*	Industrial Clamp Meter
R 02714	02714	Test Leads
R TC-10	07534	Carrying Case

1000A AC/DC True RMS Clamp Meter

NEW PRODUCT



CM-1560

- Measures AC+DC current
- AC and AC+DC voltage measurements with digital low pass filter for accurate readings on variable frequency drives
- Also measures DC voltage, resistance, capacitance and frequency
- Tests continuity and diodes
- Flashlight inside clamp jaw for easier work in dark locations
- Backlight and relative mode for added versatility
- Peak-RMS measures motor inrush current
- AmpTip™ increases accuracy on small wires and low current
- Two voltage detection modes – non-contact or using a single test lead
- Data hold
- Recording of Maximum, Minimum and Average readings
- Crest (peak hold) feature captures current or voltage peaks as short as 5 milliseconds
- Lifetime Limited Warranty

SPECIFICATIONS

Amperage Measurement	60, 600, 1000A AC + DC
Voltage Measurement	600, 1000V AC + DC
Display	LCD, 6000 Count
Frequency Rating	Voltage: 50/60 Hz; Current: 40 to 400 Hz
Resistance	600, 6k, 60k Ohms
Jaw Opening	2" (51 mm)
Measurement Category	CAT III 1000V, CAT IV 600V

CAT. NO.	UPC NO.	DESCRIPTION
CM-1560	02188	True RMS Clamp Meter
CM-1560-C*	02219	True RMS Clamp Meter
TSG-3	12034	Test Leads
TC-30	07536	Carrying Case

* Includes Certificate of Calibration

1000A AC True RMS Clamp Meter

NEW PRODUCT



CM-1360

- Measures AC current
- AC voltage measurement with digital low pass filter for accurate readings on variable frequency drives
- Also measures DC voltage, resistance, capacitance and frequency
- Tests continuity and diodes
- Flashlight inside clamp jaw for easier work in dark locations
- Backlight and relative mode for added versatility
- AmpTip™ increases accuracy on small wires and low current
- Two voltage detection modes – non-contact or using a single test lead
- Data hold
- Recording of Maximum, Minimum and Average readings
- Lifetime Limited Warranty

SPECIFICATIONS

Amperage Measurement	60, 600, 1000AAC
Voltage Measurement	600, 1000V AC + DC
Display	LCD, 6000 Count
Frequency Rating	Voltage: 50/60 Hz; Current: 40 to 400 Hz
Resistance	60, 6k, 60k Ohms
Jaw Opening	2" (51 mm)
Measurement Category	CAT III 1000V, CAT IV 600V

CAT. NO.	UPC NO.	DESCRIPTION
CM-1360	02190	True RMS Clamp Meter
CM-1360-C*	02221	True RMS Clamp Meter
TSG-3	12034	Test Leads
TC-30	07536	Carrying Case

* Includes Certificate of Calibration

600A AC/DC True RMS Clamp Meter

NEW PRODUCT



CM-960

- Measures AC+DC current
- AC and AC+DC voltage measurements with digital low pass filter for accurate readings on variable frequency drives
- Also measures DC voltage, resistance, capacitance and frequency
- Tests continuity and diodes
- Peak-RMS measures motor inrush current
- Backlight and relative mode for added versatility
- AmpTip™ increases accuracy on small wires and low current
- Two voltage detection modes – non-contact or using a single test lead
- Data hold
- Recording of Maximum, Minimum and Average readings
- Lifetime Limited Warranty

SPECIFICATIONS

Amperage Measurement	60, 600A AC
Voltage Measurement	600V AC + DC
Display	LCD, 6000 Count
Frequency Rating	Voltage AmpTip™ Current: 50/60 Hz; High Current: 50 to 400 Hz
Resistance	600, 6k, 60k Ohms
Jaw Opening	1.18" (30 mm)
Measurement Category	CAT III 600V, CAT IV 300V

CAT. NO.	UPC NO.	DESCRIPTION
N CM-960	02210	AC/DC True RMS Clamp Meter
N CM-960-C*	02230	AC/DC True RMS Clamp Meter
R TSG-3	12034	Test Leads
R TC-10	07534	Carrying Case

* Includes Certificate of Calibration

600A AC True RMS Clamp Meter

NEW PRODUCT



CM-860

- Measures AC current
- AC voltage measurement with digital low pass filter for accurate readings on variable frequency drives
- Also measures DC voltage, resistance, capacitance and frequency
- Tests continuity and diodes
- Backlight and relative mode for added versatility
- AmpTip™ increases accuracy on small wires and low current
- Two voltage detection modes – non-contact or using a single test lead
- Data hold
- Recording of Maximum, Minimum and Average readings
- Lifetime Limited Warranty

SPECIFICATIONS

Amperage Measurement	60, 600A AC+DC
Voltage Measurement	600V AC+DC
Display	LCD, 6000 Count
Frequency Rating	Voltage & AmpTip™ Current: 50/60 Hz; High Current: 50 to 400 Hz
Resistance	600, 6k, 60k Ohms
Jaw Opening	1.18" (30 mm)
Measurement Category	CAT III 600V, CAT IV 300V

CAT. NO.	UPC NO.	DESCRIPTION
N CM-860	02210	True RMS Clamp Meter
N CM-860-C*	02233*	True RMS Clamp Meter
R TSG-3	12034	Test Leads
R TC-10	07534	Carrying Case

* Includes Certificate of Calibration

600A AC True RMS Clamp Meter

NEW PRODUCT



CM-660

- Measures AC current
- AC voltage measurement with digital low pass filter for accurate readings on variable frequency drives
- Also measures DC voltage, resistance and frequency
- Tests continuity and diodes
- AmpTip™ increases accuracy on small wires and low current
- Two voltage detection modes – non-contact or using a single test lead
- Data hold
- Recording of Maximum, Minimum and Average readings
- Lifetime Limited Warranty

SPECIFICATIONS

Amperage Measurement	60, 600A AC
Voltage Measurement	600 Volts AC/DC
Resistance	600, 6k, 60k Ohms
Frequency	Voltage & AmpTip™ Current: 50/60 Hz; High Current: 50 to 400 Hz
Display	LCD, 6000 Count
Jaw Opening	1.18" (30 mm)
Measurement Category	CAT III 600V, CAT IV 300V

CAT. NO.	UPC NO.	DESCRIPTION
CM-660	02211	Clamp Meter
CM-660-C*	02233*	Clamp Meter
TSG-3	12034	Test Leads
TC-10	07534	Carrying Case

* Includes Certificate of Calibration

1000A HVAC True RMS Clamp Meter

NEW PRODUCT



CMH-1000

- Measures AC current and DC micro-amps
- AC voltage measurement with digital low pass filter for accurate readings on variable frequency drives
- Also measures DC voltage, resistance, capacitance, temperature and frequency
- Tests continuity and diodes
- Phase Sequence and Motor Rotation tests
- Peak-RMS measures motor in rush current
- Flashlight inside clamp jaw for easier work in dark locations
- Backlight and relative mode for added versatility
- AmpTip™ increases accuracy on small wires and low current
- Two voltage detection modes – non-contact or using a single test lead
- Data hold
- Recording of Maximum, Minimum and Average readings
- Crest (peak hold) feature captures current or voltage peaks as short as 5 milliseconds
- Lifetime Limited Warranty

SPECIFICATIONS

Amperage Measurement	60, 600, 1000A AC
Voltage Measurement	600, 1000V AC + DC
Display	LCD, 6000 Count
Frequency Rating	Voltage and AmpTip™ current: 50/60 Hz; High current: 50 to 400 Hz
Resistance	600, 6k, 60k Ohms
Jaw Opening	2.0" (51 mm)
Measurement Category	CAT III 1000V, CAT IV 600V

CAT. NO.	UPC NO.	DESCRIPTION
CMH-1000	02209	AC Clamp-on Meter
CMH-1000-C*	02231*	AC Clamp-on Meter
02714	02714	Test Leads
TC-30	07536	Carrying Case

* Includes Certificate of Calibration

600A HVAC True RMS Clamp Meter

NEW
PRODUCT



UL US
LISTED



CMH-600

- Measures AC current and DC micro-amps
- AC voltage measurement with digital low pass filter for accurate readings on variable frequency drives
- Also measures DC voltage, resistance, capacitance, temperature and frequency
- Tests continuity and diodes
- Phase Sequence and Motor Rotation tests
- Peak-RMS measures motor inrush current
- Backlight and relative mode for added versatility
- AmpTip™ increases accuracy on small wires and low current
- Two voltage detection modes – non-contact or using a single test lead
- Data hold
- Recording of Maximum, Minimum and Average readings
- Lifetime Limited Warranty

SPECIFICATIONS

Amperage Measurement	60, 600 A AC
Voltage Measurement	600V AC + DC
Display	LCD, 6000 Count
Frequency Rating	Voltage and AmpTip™ current: 50/60 Hz; High current: 50 to 400 Hz
Resistance	600, 6k, 60k Ohms
Jaw Opening	1.18" (30 mm)
Measurement Category	CAT III 600V, CAT IV 300V

CAT. NO.	UPC NO.	DESCRIPTION
N CMH-600	02209	AC Clamp-on Meter, True RMS
N CMH-600-C*	02231	AC Clamp-on Meter, True RMS (Calibrated)
R 02714	02714	Test Leads
R TC-10	07534	Carrying Case

* Includes Certificate of Calibration

True RMS AC Clamp Meter



UL US
LISTED



CM-450

- AC amperage, AC/DC voltage measurement
- True RMS for the most accurate measurement where harmonics are present
- Quick, easy operation
- Auto power off for longer battery life
- Resistance measurement
- Audible continuity and diode tests
- Frequency measurement
- Data hold to capture measurement
- 4000 count LCD
- Accessories included: Test leads, 3V Standard button battery (IEC-CR 2032; ANSI-NEDA 54004LC)
- Lifetime Limited Warranty

SPECIFICATIONS

Amperage Measurement	40, 400, 600 A AC
Voltage Measurement	4, 40, 400, 600 V AC + DC
Display	LCD, 4000 Count
Resistance	4, 40, 400, 400k, 4, 40M Ohms
Jaw Opening	1.02" (26 mm)
Measurement Category	CAT III, 600V

CAT. NO.	UPC NO.	DESCRIPTION
R CM-450	12726	AC Clamp-on Meter, True RMS
R TSG-3	12034	Sure-Grip Test Leads
R TC-5	07588	Carrying Case

AC Clamp-on Meter



CM-410

- Measures to 600 volts AC and DC, and 400 amps AC
- Data hold to capture important readings
- Audible continuity test
- Auto power off for longer battery life
- Accessories included: (2) 1.5V AAA batteries, test leads and carrying case
- Lifetime Limited Warranty

SPECIFICATIONS

Amperage Measurement	200, 400A AC
Voltage Measurement	200, 600V
Display	LCD, 2000 Count
Resistance	2, 20, 200, 200k, 2, 20M Ohms
Jaw Opening	1.06" (27 mm)
Measurement Category	CAT III 600V

CAT. NO.	UPC NO.	DESCRIPTION
CM-410	73420	AC Clamp-on Meter, 400A
00606	00606	Test Leads
TC-5	07588	Carrying Case



Clamp-on Meter



CM-330

- AC current measuring capability up to 400 amps
- Compact size, fits easily into tool pouch
- Data hold and Max hold to capture important readings
- 2000-Count LCD
- Lifetime Limited Warranty
- Accessories included: (1) 9V battery and carrying case
- Lifetime Limited Warranty

SPECIFICATIONS

Amperage Measurement	20, 200, 400A AC
Display	LCD, 2000 Count
Jaw Opening	1.18" (30 mm)
Measurement Category	CAT III, 600V

CAT. NO.	UPC NO.	DESCRIPTION
CM-330	11865	Clampmeter, 400A AC
TC-5	07588	Carrying Case



LOCATORS

Locators Application Guide

FEATURE	BLL-200	501	PE2003	508S	521A
Trace concealed wiring in walls and floors		•		•	
Locate junction box relays and transformers	•				
Locate switch gear	•				
Find shorts to ground			• ²		• ¹
Trace wires in PVC (nonmetallic conduit)	•	•		•	
Find opens in a circuit			• ²		•
Localize power and lighting panels	•	•		•	
Operate on energized circuits	•	•		•	
Operate on low voltage circuits	•	•	•	•	
Operate on high voltage circuits (600VAC)	•				
Operate on unenergized circuits	•	•	•	•	•
Trace shielded cable	•	• ³		• ³	• ³
Trace coax cable	•	• ⁵		• ⁵	• ⁴
Auto gain circuitry for improved accuracy	•				
AC voltage range	0-600V	0-240V	0-240V	0-240V	0-120V
DC voltage range	0-300V	0-500V	0-400V	0-500V	0-250V
Distance—receiver from transmitter	5,000 ft.	• ⁷	5000 ft.	1000 ft.	• ⁶
Transmitter battery	(4) AA	(8) AA	12V rechargeable	(1) 9V	(8) D
Receiver battery	(4) AA	(1) 9V	(1) 9V	(1) 9V	(1) 9V

1. 10,000 ohms and less—both ends isolated from grounds.
2. Does not locate the path—has to be predetermined and only in direct burial applications. 5,000,000 and less.
3. Transmitter connected to metallic shield.
4. Will trace coax providing the bOnd is in place at the remote end—will disrupt service.
5. No sorting (high RF bleeds) can trace coax if transmitter connected to braid.
6. Low frequency locators need a "path to earth" (dirt), 5000 ft. on an open conductor and 2500 ft. on a metallic pipe at 3 ft. deep.
7. Direct Connection 4,000 ft at 7 ft deep
Inductive Coupler 1,000 ft at 3 ft deep
Inductive Antenna 700 ft at 3 ft deep

BURIED FACILITY LOCATION AND MARKING

Pulser Fault Locator



- Identifies the exact location of even the smallest breaks in insulation by "pulsing" a high-voltage signal that radiates into the earth at the location of the faults. With the A-frame mounted receiver, a visual analog meter points the way to the source of the voltage
- Multiple faults on a single wire can be identified indicating the need to replace instead of repair
- Extra-long test leads feature heavy-duty alligator clips for use on multiple cable types
- Includes a rechargeable transmitter, receiver, A-frame, ground stake, 120V charger and a 12V DC (cigarette lighter) adapter
- Battery operated (one 12V and one 9V battery are included)
- Molded carrying case included

SPECIFICATIONS

Power Requirements	Transmitter: (1) 12V rechargeable battery Receiver: (1) 9V battery
Battery Life	Transmitter: 23 hours per charge; Receiver: 200 hours
Transmitter Power	2400VDC peak
Voltage Protection	240VAC/400VDC
Construction	Transmitter – aluminum housing in polyethylene case Receiver – powder coated aluminum
Dimensions	Transmitter – 17" x 8.5" x 6.5" (421 mm x 215 mm x 160 mm) in case Receiver – 33.5" x 21.75" x 3.25" (840 mm x 550 mm x 8 mm) on A-Frame
Weight	12.5 lbs. (5.7 kg) complete

CAT. NO.	UPC NO.	DESCRIPTION
PE2003	08666	Pulser
2000H	60357	Transmitter (Includes CH1 & CH2)
2000R	60358	Receiver
AF2	60482	A-Frame
CH1	60360	AC Charger
CH2	60361	DC Charger
59F0002	66216	Battery, Replacement (12V 2.5 Ah)

Wire Finder/Mini Locator



- Traces energized or non-energized wires in walls and drop ceilings
- Provides reliable results on buried cables to depths of 3' (1 m) and lengths up to 1000' (308 m)
- Determines the approximate depth of the wire before digging
- Compact design and easy-to-understand operations
- Fully adjustable transmitter and receiver for accurate locating
- Quick change test leads for use in any industry, even international power outlets
- Voltage protection to allow use on live AC circuits
- Automatic shut-off to prevent accidental battery discharge
- Housed in a durable, molded carrying case with a quick reference operation guide on the inside of the lid
- Battery-operated: (2) 9V batteries included

SPECIFICATIONS

Power Requirements	(1) 9V each (transmitter and receiver, included)
Battery Life	Transmitter 35 hours nominal; Receiver 20 hours nominal
Transmitter Frequency	447.5kHz
Transmitter Power	9Vp-p (11mW)
Voltage Protection	240VAC/500VDC
Construction	Transmitter/Receiver – high-impact ABS plastic, Case – vacuum-formed polyethylene
Dimensions	Transmitter – 4" x 2.3" x 1" (101.6 x 58.4 x 25.4 mm), Receiver – 6" x 2.35" x 1" (152.4 x 59.7 x 25.4 mm), Case – 9.5" x 8" x 3" (241.3 x 203.2 x 76.2 mm)
Weight	2.6 lbs. (1.2 kg)

CAT. NO.	UPC. NO.	DESCRIPTION
508S	08678	Wire Finder/Mini Locator
508ST	60363	Transmitter
508SR	60364	Receiver
CS14	60366	Alligator Clip Cord set
CS15	60367	AC Outlet Cord set

Tracker II



HS-1 (08695)
Optional headset is available for use in high-traffic areas or other noisy environments.

- Traces the path and determines the depth of wires and metallic pipes on active or dead systems without having to deactivate the system
- Lightweight receiver provides audible and visual indications of signal strength
- Transmitter output and receiver sensitivity are fully adjustable for maximum accuracy
- Transmitter offers three methods of connection: direct, inductive coupler and inductive antenna
- Includes transmitter assembly, receiver assembly, inductive coupler (clamp), built-in inductive antenna, two 8' (2.4 m) test leads with heavy-duty alligator clips and durable polyethylene case
- High frequency transmitter provides range up to 4,000' (1,219 m) and depths up to 7' (2 m)
- Receiver is 32" long (813 mm)
- Battery operated (eight AA and one 9V battery is included)
- Molded carrying case included

CAT. NO.	UPC NO.	DESCRIPTION
501	08662	Tracker II
R 501T	60353	Transmitter
R 501R	60352	Receiver
R IC1	60354	Inductive Clamp
R CS16	60355	Transmitter Cord Set
R 500CA	60351	Case with Antenna

SPECIFICATIONS

Power Requirements	Transmitter – (8) AA batteries; Receiver – (1) 9V battery
Battery Life	Transmitter – 30 hours nominal; Receiver – 10 hours nominal
Transmitter Frequency	447.5kHz
Transmitter Power	40Vp-p (140mW) maximum
Voltage Protection	240VAC/500VDC
Automatic Shut Off	90 Min. Transmitter and Receiver
Construction	Transmitter/Receiver – powder coated aluminum Case – vacuum formed polyethylene
Dimensions	Transmitter – 4.25" x 3" x 3.25" (108 x 76.2 x 82.6 mm) Receiver – 32" x 2.75" x 4" (812.8 x 69.9 x 101.6 mm) Case – 33.5" x 8.25" x 3.75" (850.9 x 209.6 x 95.3 mm)
Weight	6.7 lbs. complete kit (3.04 kg)

Buried Line Locator



- LED and LCD signal strength indicators make it quick and easy to find exact line location
- Lightweight and ergonomically balanced
- Automatic signal boost makes it easy to trace lines, even those with very weak signals
- Receiver may be used in active or passive mode
- Receiver locates multiple passive frequencies with a single setting
- Receiver automatically locks out passive range when it detects a transmitter signal, reducing the chance of tracing other lines carrying weaker signals
- Microprocessor-based circuitry delivers increased accuracy and features auto-gain control in all environments
- Traces 20' (6 m) underground and provides depth readings up to 15' (4.57 m)
- Transmitter can be connected to live lines up to 600V
- Molded carrying case included.

CAT. NO.	UPC NO.	DESCRIPTION
BLL-200	07796	Buried Line Locator

SPECIFICATIONS

Transmitter		Receiver	
Operating Voltage	0-600VAC, 0-300 VDC	Depth Range	Measures: 0-15 ft Traces: 0-20 ft.
Current	13mA (open line) 150mA (live or shorted line)	Depth Resolution	0.1 ft. increments
Frequency	33.3kHz	Passive Trace Frequency	- 12Hz-24kHz
Operating Temperature	0°F to 120°F (-17°C to 50°C)	Operating Temperature	0°F to 120°F (-17°C to 50°C)
Size	7.5" x 4" x 2.1" (190.5 mm x 101.6 mm x 53 mm)	Size	4.1" x 8.5" x 38" (104.1 mm x 215.9 mm x 965.2 mm)
Power	6 VDC (4 AA batteries)	Power	6 VDC (4 AA batteries)
Weight	15 oz. (425 g) (with batteries and clamp)	Weight	1 lb. 12 oz. (794 g)

Wire and Valve Locator



521A

- Adjustable transmit power allows you to select the best signal for maximum performance
- Transmitter's high power output offers extended range and use on higher resistance wire paths that other locators can't touch
- Receiver provides both audible and visual indications of signal strength
- Lightweight receiver wand makes it easy for you to move along quickly to locate even the longest wire path
- Rugged headphones block ambient noise and improve "feel" for the signal
- Includes transmitter, receiver, headset, ground stake, and complete instructions
- Battery-operated: (8) "D" Cells and (1) 9V

SPECIFICATIONS

Power Requirements	Transmitter: (8) "D" Cell; Receiver: (1) 9V battery
Battery Life	Transmitter: 50 hours nominal Receiver: 100 hours nominal
Transmitter Frequency	1748Hz
Transmitter Power	750Vp-p 285Vrms
Voltage Protection	120VAC/250VDC
Construction	Powder-coated aluminum housing in polyethylene case
Case Dimensions	33.5" x 8.25" x 3.75"
Weight	12 lbs. complete

CAT. NO.	UPC NO.	DESCRIPTION
521A	86788	Wire and Valve Locator
521A-R	12623	Receiver
HS1	08695	Headset
GS1	60362	Ground Stake



Station Master™ Pro



24B

- Troubleshoot irrigation systems
- Activate and cycle solenoids
- Test solenoids for continuity
- Send tone to identify wires
- Measure clock voltage
- Low battery indication
- Easy-to-understand LEDs
- Test leads with "Bed-of-Nails" and piercing Pin Clips
- 1-year limited warranty

SPECIFICATIONS

Minimum Voltage for Clock LED	15 VAC (LED intensity increases as voltage increases)
Minimum Battery while Testing	10.5 VDC
Maximum Input Voltage between Test Leads	28 VAC
Solenoid Circuit Recharge Time	2.5 seconds
Maximum Distance Range to Activate one Solenoid	12 AWG Loop 3000-13000 feet 14 AWG Loop 2000-8500 feet 18 AWG Loop 500-3000 feet
Power Source	9V alkaline batteries
Battery Life	3 hours continuous
Operating/Storage Temp.	32°F - 122°F (0° - 50°C)



24BK

CAT. NO.	UPC NO.	DESCRIPTION
24B	86786	Station Master Pro
24BK	86787	Station Master Pro Kit
700C	08683	Carrying Case



INSULATION TESTING

Insulation Testing Comparison Chart

FEATURE		5990	5882	5880
Test voltage	250V		•	
	500V	•	•	•
	1000V	•	•	•
	2500V	•		
	5000V	•		
	Range	250V		50k-2000MΩ
	500V	500k-500GΩ	100k-2000MΩ	100k-2000MΩ
	1000V	700k-500GΩ	200k-2000MΩ	200k-2000MΩ
	2500V	5M-500GΩ		
	5000V	20M-500GΩ		
Continuity			0-20Ω	0-20Ω
Resistance			0-400kΩ	0-400kΩ
Display type		Analog	Digital	Digital
Backlit			•	•
Count			4000	4000
Analog bar graph			•	•
Measurement Category		III, 600V	II, 300V	II, 300V
UL			•	•
CE		•	•	•

5kV Megohmmeter



5990

- Four test voltages: 500V, 1000V, 2500V, and 5000V
- Resistance measurement range up to 500GΩ
- Extra-large analog display for easy viewing
- Accessories included: (4) 1.5V D batteries, integrated carrying case, test leads, probes, snap-on test lead pouch
- Lifetime Limited Warranty

SPECIFICATIONS

Insulation Tests	
Test Voltage	500, 1000, 2500, 5000V
Range	500k to 500GΩ
Voltage Test Range	600V AC/DC
Measurement Category	CAT III, 600V

CAT. NO.	UPC NO.	DESCRIPTION
5990	07665	5kV Megohmmeter
R 87121	87121	Probes
R 86999	86999	Leads

Digital/Analog Megohmmeter



5882



5883

5880 features:

- Auto-ranging AC/DC default voltmeter with test inhibitor and warnings for enhanced user safety
- Extra-large digital display with backlight and analog bar graph
- Weather resistant against dust and water to IP44
- Multiple test voltage ranges
- Measure up to 2000MΩ resistance.
- Accessories included: (6) 1.5V AA batteries, test leads, case
- Lifetime Limited Warranty

5882 adds:

- Tests three voltage ranges: 250, 500, and 1000V
- Timer function for dielectric absorption and polarization index measurements

5883 (optional accessory):

- Remote probe, pushbutton and flashlight for added convenience

SPECIFICATIONS

Insulation Tests

Test Voltage 5882: 250, 500, 1000V
5880: 500, 1000V

Range 250V: 50k – 2000MΩ
500V: 100k – 2000MΩ
1000V: 200k – 2000MΩ

Automatic Discharge 1.5 sec/μF, 300 KΩ impedance

Continuity Range 0-20Ω

Resistance Range 0-400kΩ

Voltage Test Range 0-600V AC/DC

Display 4000-count, backlit 34-segment analog bar graph

Measurement Category CAT II, 300V

CAT. NO.	UPC NO.	DESCRIPTION
5882	07573	Digital/Analog Megohmmeter
5882-C*	07639*	Digital/Analog Megohmmeter
5880	07572	Digital/Analog Megohmmeter
5880-C*	07638*	Digital/Analog Megohmmeter
5883	07591	Remote Probe
87073	87073	Test Lead Kit

* Includes Certificate of Calibration

MOTOR ROTATION & PHASE SEQUENCE

Motor Rotation and Phase Sequence Indicator Kit



5702



5123

- Assists in correct motor installation by identifying the phases of a three-phase circuit and the rotation of an unenergized motor to prevent damage to motor or electrical system
- Identifies L1, L2, L3 phases and motor leads and indicates rotation of the motor before installation
- Easy clockwise and counterclockwise indication
- Accessories included: (1) 9V battery, carrying case
- Lifetime Limited Warranty

SPECIFICATIONS

Phase Sequence Indicator	(CAT. No. 5702)
Overvoltage Protection	CAT III, 600V
Motor Rotation Indicator	(CAT. No. 5123)
Two LEDs indicate motor rotation	

CAT. NO.	UPC NO.	DESCRIPTION
5779	07576	Motor Rotation and Phase Sequence Indicator Kit
TC-20	07535	Carrying Case



Do not use Motor Rotation Indicator on live circuits.

Motor Rotation Indicator



5123

- Tests unenergized 3-phase motor to determine sequence for desired motor rotation
- Lifetime Limited Warranty

SPECIFICATIONS

Indicators	Two LEDs
------------	----------

CAT. NO.	UPC NO.	DESCRIPTION
5123	34514	Motor Rotation Indicator



Do not use Motor Rotation Indicator on live circuits.

Phase Sequence Indicator



5702

- Identifies L1, L2, L3 phases and indicates phase rotation before installation
- Clockwise and counterclockwise indication via neon lamps
- Lifetime Limited Warranty

SPECIFICATIONS

Live Phase Indicators	Three neon lamps
Motor Rotation Indicators	Two neon lamps
Measurement Category	CAT III, 600V

CAT. NO.	UPC NO.	DESCRIPTION
5702	07574	Phase Sequence Indicator



TEMPERATURE

TG-1000 & TG-2000 Infrared Thermometers



Both TG-1000 and TG-2000 offer:

- Safe, non-contact temperature measurement
- Display temperatures in either Fahrenheit or Celsius
- Adjustable emissivity for optimum temperature reading accuracy on a wide range of materials and surfaces.
- Min, Max, Difference and Average temperature functions
- Backlit display for easy readings in any environment

TG-1000 Features:

- Laser spot indicator showing approximate center of target measurement area

TG-2000 Features

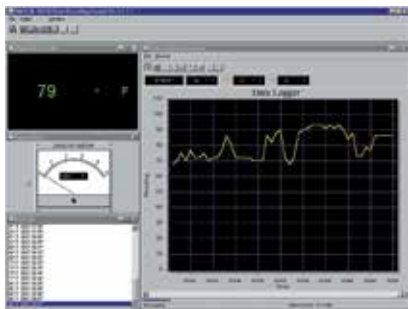
- Wider Temperature range
- Higher distance-to-spot (D:S) Ratio for measuring smaller targets or at greater distances
- Dual lasers indicate approximate diameter of target measurement area

SPECIFICATIONS	TG-1000	TG-2000
Range – °F	-76 ~ 1022	-76 ~ 1157
Range – °C	-60 ~ 500	-60 ~ 625
D:S Ratio	12:1	16:1
Laser	•	Dual
K-Type Contact		•
Emissivity	.10 ~ 1.00	.10 ~ 1.00
Backlight	•	•
Alarms	Hi/Low	Hi/Low

CAT. NO.	UPC NO.	DESCRIPTION
TG-1000	00103	Infrared Thermometer
TG-2000	00104	Dual Laser Infrared Thermometer

MULTIMETER ACCESSORIES

Interface Kits



See both digital and analog meter readouts on-screen, plus a large, easy-to-read graph of logged values – in this case, a thermocouple monitoring air temperature in a forced-air furnace duct.



DMSC-9U



DMSC-2U



DMSC-9

- Connects to a PC for data storage and retrieval from Greenlee digital multimeters
- Allows retrieval of stored data and real-time logging and graphing
- Retrieve stored data log from DML-Series
- Export data to disk for analysis with any spreadsheet
- Lifetime Limited Warranty

SPECIFICATIONS

Software Requirements	Microsoft® Windows® 7/Vista/XP/2000/NT4 or Windows ME/98/95 Operating System
Hardware Requirements	CPU and memory – minimum Windows requirement Monitor – at least 640 x 480, 800 x 600 recommended. Hard disk – at least 500 megabytes free space. Connection – DMSC-9U: free USB port; DMSC-2U: free USB or 9-pin serial port; DMSC-9: free 9-pin serial port.

CAT. NO.	UPC NO.	DESCRIPTION
DMSC-2U	35772	For DM-200 and 200A Series and DM-510A Digital Multimeters
DMSC-9U	35773	For DM-800A Series and DML-430A Digital Multimeters
DMSC-9	07755	For DM-800 Series, DML-54 and DML-430 Digital Multimeters

Microsoft® and Windows® are registered trademarks of Microsoft Corporation

Gas Lamp Tester



5715

- Test most fluorescent lamps, low pressure sodium vapor, high pressure sodium discharge lamps, neon tubes, mercury vapor and metal halide lamps
- Checks starters, resistors, ignitors, capacitors and photo cells
- Indicates AC/DC voltage and continuity
- Includes detachable antenna, batteries, leads, probes, clamps and holster
- Lifetime Limited Warranty

SPECIFICATIONS

Capacity	Voltage – up to 500 VAC & VDC; Continuity – to 300 kΩ
Size	6" x 2-3/4" x 1-3/4" (152 x 70 x 45 mm); Antenna – 27" (686 mm)
Weight	2.4 lbs. (1.1 kg)
Batteries	2-9V, included

CAT. NO.	UPC NO.	DESCRIPTION
5715	34529	Gas Lamp Tester
R 5713	34528	Holster
R 35450	35450	Battery Door
R 5710	34525	Antenna
R 5786	34574	Small Alligator Clamps (2)
R 5783	34556	Push-on Probes (2)

Lamp Tester



LT-100

- Tests HID and fluorescent lamps
- Live conductor sensing
- Compact, rugged housing with carrying case (included)
- Accessories included: (1) 9V Battery
- Lifetime Limited Warranty

SPECIFICATIONS

Live Conductor Indication	60-250VAC, 40-60Hz
Continuity Verification	0-5MΩ (test current: <7μA)
Lamp Tester Voltage	3kV/160kHz (test current: <200μA)
Measurement Category	CAT II, 250V

CAT. NO.	UPC NO.	DESCRIPTION
LT-100	07541	Lamp Tester
TC-10	07534	Deluxe Carrying Case

PLIERS

High Leverage Side-Cutting Pliers



- High Leverage design provides 46% greater cutting and gripping power than standard plier designs
- Forged from chrome vanadium steel for greater strength and long life of the whole plier
- Laser hardened cutting knives keep edge and last longer than induction hardened knives
- Designed to provide long life even when cutting hardened wire, ACSR, screws, bolts and nails
- Tempered handles help to absorb the 'snap' and reduce fatigue when cutting through hardened wire, bolts and screws
- Diamond serrated jaws for superior gripping power
- Exceeds ASME/ANSI specifications
- Note: this is not an insulated tool
- Lifetime limited warranty

Stripping Pliers (0151-09SM and 0151-09SD)

- Stripping hole allows stripping of #12 AGW solid wire
- Looping and bending hole forms wire for connections.

Crimping Pliers

- Crimping die for non-insulated and insulated connectors, lugs, and terminals

Fish Tape Pulling Pliers

- PULLS 1/8" AND 1/4" FISH TAPE

Thread Cleaning Pliers

- Cleans threads on 5/8" bolts



0151-09SM

MOLDED GRIP

- Slip-proof, ergonomic molded grips and flared handles for increased comfort and reduced fatigue
- Location of handle ridge allows the user to "choke up" for greater control

MOLDED GRIP PLIERS

CAT. NO.	UPC	DESCRIPTION	OVERALL LENGTH	WEIGHT
0151-08M	54701	High Leverage Side-cutting Pliers 8" molded grip	8-1/2" (21.6 cm)	.87 lbs. (.04 kg)
0151-09M	54702	High Leverage Side-cutting Pliers 9" molded grip	9-3/8" (23.8 cm)	1.13 lbs. (.51 kg)
0151-09CM	13488	Crimping Pliers 9" molded grip	9-3/8" (23.8 cm)	1.13 lbs. (.51 kg)
0151-09SM	89264	High Leverage Side-cutting Pliers W/ Stripping Hole 9" molded grip	9-3/8" (23.8 cm)	1.13 lbs. (.51 kg)



0151-09TD

DIPPED GRIP

- Double layered vinyl handles for comfort and slip resistance
- Reduced handle size allows for easy storage of tools in pouches and tool bags

DIPPED GRIP PLIERS

CAT. NO.	UPC	DESCRIPTION	OVERALL LENGTH	WEIGHT
0151-08D	89263	High Leverage Side-cutting Pliers 8" dipped grip	8-1/2" (21.6 cm)	.87 lbs. (.04 kg)
0151-09D	89250	High Leverage Side-cutting Pliers 9" dipped grip	9-3/8" (23.8 cm)	1.13 lbs. (.51 kg)
0151-09CD	13487	Crimping Pliers 9" dipped grip	9-3/8" (23.8 cm)	1.13 lbs. (.51 kg)
0151-09FD	89262	Fish Tape Pulling Pliers 9" dipped grip	9-3/8" (23.8 cm)	1.13 lbs. (.51 kg)

Diagonal Cutting Pliers



- High Leverage design provides greater cutting power than standard plier designs
- Forged from chrome vanadium steel for greater strength and long life of the whole plier
- Laser hardened cutting knives keep edge and last longer than induction hardened knives. Designed to provide long life even when cutting hardened wire, ACSR, screws, bolts and nails
- Tempered handles help to absorb the 'snap' and reduce fatigue when cutting through hardened wire, bolts and screws
- Exceeds ASME/ANSI specifications
- Note: this is not an insulated tool
- Lifetime limited warranty



Angled Head Pliers (0251-08AM and 0251-08AD)

- Angled head design allows for easy work in confined areas



0251-08M

MOLDED GRIP

- Slip-proof, ergonomic molded grips and flared handles for increased comfort and reduced fatigue
- Location of handle ridge allows the user to "choke up" for greater control

MOLDED GRIP PLIERS

CAT. NO.	UPC NO.	DESCRIPTION	OVERALL LENGTH	WEIGHT
0251-05M	54736	Diagonal Cutting Pliers 5" Mini molded grip	5-1/2" (14.0 cm)	.28 lbs (.13 kg)
0251-06M	54737	Diagonal Cutting Pliers 6" molded grip	6-1/8" (15.5 cm)	.35 lbs (.16 kg)
0251-07M	54738	High Leverage Diagonal Cutting Pliers 7" molded grip	7" (17.8 cm)	.57 lbs (.26 kg)
0251-08M	54739	High Leverage Diagonal Cutting Pliers 8" molded grip	8-3/4" (22.2 cm)	.85 lbs (.39 kg)
0251-08AM	54740	High Leverage Diagonal Cutting Pliers 8" angled molded grip	8-3/4" (22.2 cm)	.85 lbs (.39 kg)



0251-08AD

DIPPED GRIP

- Double layered vinyl handles for comfort and slip resistance
- Reduced handle size allows for easy storage of tools in pouches and tool bags

DIPPED GRIP PLIERS

CAT. NO.	UPC NO.	DESCRIPTION	OVERALL LENGTH	WEIGHT
0251-05D	89257	Diagonal Cutting Pliers 5" Mini dipped grip	5-1/2" (14.0 cm)	.28 lbs (.13 kg)
0251-06D	89256	Diagonal Cutting Pliers 6" dipped grip	6-1/8" (15.5 cm)	.35 lbs (.16 kg)
0251-07D	89255	High Leverage Diagonal Cutting Pliers 7" dipped grip	7" (17.8 cm)	.57 lbs (.26 kg)
0251-08D	89254	High Leverage Diagonal Cutting Pliers 8" dipped grip	8-3/4" (22.2 cm)	.85 lbs (.39 kg)
0251-08AD	89258	High Leverage Diagonal Cutting Pliers 8" angled dipped grip	8-3/4" (22.2 cm)	.85 lbs (.39 kg)

Long Nose Side Cutting and Stripping Pliers



- Forged from chrome vanadium steel for greater strength and long life of the whole plier
- Laser hardened cutting knives keep edge and last longer than induction hardened knives
- Designed to provide long life even when cutting hardened wire
- Serrated jaws for stronger gripping power
- Exceeds ASME/ANSI specifications
- Note: this is not an insulated tool
- Lifetime limited warranty

Wire Stripping Pliers (0351-08SM and 0251-08SD)

- Stripping hole allows stripping of #12 AWG solid wire



0351-08M

MOLDED GRIP

- Slip proof, ergonomic molded grips and flared handles for increased comfort and reduced fatigue
- Location of handle ridge allows the user to "choke up" for greater control

MOLDED GRIP PLIERS

CAT. NO.	UPC NO.	DESCRIPTION	OVERALL	
			LENGTH	WEIGHT
0351-06M	54717	Long Nose Pliers/Side Cutting 6" molded grip	6-5/8" (16.8 cm)	.27 lbs. (.12 kg)
0351-07M	54718	Long Nose Pliers/Side Cutting 7" molded grip	7-1/8" (18.1 cm)	.30 lbs. (.14 kg)
0351-08M	54719	Long Nose Pliers/Side Cutting 8" molded grip	8-9/16" (21.7 cm)	.64 lbs. (.29 kg)
0351-08SM	20958	Long Nose Pliers/Stripping 8" molded grip	8-9/16" (21.7 cm)	.64 lbs. (.29 kg)



0351-08SD

DIPPED GRIP

- Double layered vinyl handles for comfort and slip resistance
- Reduced handle size allows for easy storage of tools in pouches and tool bags

DIPPED GRIP PLIERS

CAT. NO.	UPC NO.	DESCRIPTION	OVERALL	
			LENGTH	WEIGHT
0351-06D	89253	Long Nose Pliers/Side Cutting 6" dipped grip	6-5/8" (16.8 cm)	.27 lbs. (.12 kg)
0351-07D	89252	Long Nose Pliers/Side Cutting 7" dipped grip	7-1/8" (18.1 cm)	.30 lbs. (.14 kg)
0351-08D	89251	Long Nose Pliers/Side Cutting 8" dipped grip	8-9/16" (21.7 cm)	.64 lbs. (.29 kg)
0351-08SD	20957	Long Nose Pliers/Stripping 8" dipped grip	8-9/16" (21.7 cm)	.64 lbs. (.29 kg)

Pump Pliers



- Forged from chrome vanadium steel for greater strength and long life of the whole tool
- Precision-machined and hardened teeth for durability and long life
- Right-angled teeth for assured gripping power from both directions
- Exceeds ASME/ANSI specifications
- Note: this is not an insulated tool
- Lifetime limited warranty



0451-10M



MOLDED GRIP

- Slip proof, ergonomic molded grips and flared handles for increased comfort and reduced fatigue
- Location of handle ridge allows the user to "choke up" for greater control

MOLDED GRIP PLIERS

CAT. NO.	UPC NO.	DESCRIPTION	JAW CAPACITY	ADJUSTMENT GROOVES	OVERALL LENGTH	WEIGHT
0451-10M	54709	Pump Pliers 10" molded grip	2" (5.1 cm)	7	10" (25.4 cm)	.83 lbs. (.38 kg)
0451-12M	54744	Pump Pliers 12" molded grip	2-1/4" (5.7 cm)	7	12" (30.5 cm)	1.29 lbs. (.59 kg)



0451-16D



DIPPED GRIP

- Double layered vinyl handles for comfort and slip resistance
- Reduced handle size allows for easy storage of tools in pouches and tool bags

MOLDED GRIP PLIERS

CAT. NO.	UPC NO.	DESCRIPTION	JAW CAPACITY	ADJUSTMENT GROOVES	OVERALL LENGTH	WEIGHT
0451-10D	89259	Pump Pliers 10" dipped grip	2" (5.1 cm)	7	10" (25.4cm)	.83 lbs. (.38 kg)
0451-12D	89260	Pump Pliers 12" dipped grip	2-1/4" (5.7 cm)	7	12" (30.5 cm)	1.29 lbs. (.59 kg)
0451-16D	54707	Pump Pliers 16" dipped grip	4-1/4" (10.8 cm)	8	16" (40.6 cm)	3 lbs. (1.4 kg)

Ratchet Cable Cutters



45206



45207

- Simple, one-hand operation
- Exclusive two-speed ratcheting mechanism adjusts for light/heavy cutting
- Well-suited for tight working spaces
- Blades can be opened mid-cycle
- Cushioned handles for comfort and assured grip





SPECIFICATIONS

45206

Maximum Capacity* **Copper:** 600 kcmil (MCM) (300 mm²)
Aluminum: 600 kcmil (MCM) (300 mm²)
Communications Cable: 1-3/8" (35 mm) dia.
Weight: 1.5 lbs./7 kg

45207

Maximum Capacity* **Copper:** 750 kcmil (MCM) (400 mm²)
Aluminum: 1000 kcmil (MCM) (500 mm²)
Communications Cable: 2" (51 mm) dia.
Weight: 2.4 lbs/1.1 kg

CAT. NO.	UPC NO.	DESCRIPTION
45206	45206	Ratchet Cable Cutter
45207	45207	Ratchet Cable Cutter
 45218	45218	Movable Blade (45206 & 45206I)
 45212	45212	Fixed Blade and Handle (45206)
 45211	45211	Movable Blade (45207 & 45207I)
 45228	45228	Fixed Blade and Handle (45207)

Compact Ratchet Cable Cutters



759



760

- Simple, one-hand operation
- Compact – convenient for working in tight places and stores easily in tool pouches
- Single-speed ratchet mechanism
- Blade release allows blades to be opened in mid-cut
- Heavy-duty blades provide long life






SPECIFICATIONS

759

Maximum Capacity* **Copper:** 500 kcmil (MCM) (240 mm²)
Aluminum: 750 kcmil (MCM) (400 mm²)
Communications Cable: 1-1/8" dia. (28 mm²).
Weight: 1.4 lbs./0.6 kg

760

Maximum Capacity* **Copper:** 1000 kcmil (MCM) (500 mm²)
Aluminum: 1000 kcmil (MCM) (500 mm²)
Communications Cable: 1-3/4" dia. (42 mm²)
Weight: 1.75 lbs./0.8 kg

CAT. NO.	UPC NO.	DESCRIPTION
759	45277	Compact Ratchet Cable Cutter
760	17600	Compact Ratchet Cable Cutter
 45282	45282	Movable Blade (759)
 45281	45281	Fixed Blade (759)
 09908	09908	Movable Blade (760)
 09907	09907	Fixed Blade (760)
 45297	45297	Handle Spring

*Capacity may be less for compact and compressed cables

SCREWDRIVERS

7-Piece Screwdriver Set



0153-02C

- Heavy-duty construction for longer life
- Handle marked for easy identification of screwdriver size, type and length
- Precision-machined tips for accurate fastener contact
- Strong, durable black phosphate tips prevent chipping of plating
- High-grade, rust resistant, chrome-plated finish
- Cushion grip handle for extra comfort and torque
- Exceeds ASME/ANSI specifications
- Lifetime limited warranty
- Note: this is not an insulated tool
- Contains: 3/16" x 4" Cabinet, 3/16" x 6" Cabinet, 1/4" x 4" Keystone, 1/4" x 4" Cabinet, 5/16" x 6" Keystone, #1 x 3" Phillips & #2 x 4" Phillips

CAT. NO.	UPC NO.	DESCRIPTION	WEIGHT
0153-02C	54661	7-Piece Screwdriver Set	1.63 lbs. (.74- kg)

5-Piece Screwdriver Set



0153-01C

- Heavy-duty construction for longer life
- Handle marked for easy identification of screwdriver size, type and length
- Precision-machined tips for accurate fastener contact
- Strong, durable black phosphate tips prevent chipping of plating
- High-grade, rust resistant, chrome-plated finish
- Cushion grip handle for extra comfort and torque
- Exceeds ASME/ANSI specifications
- Lifetime limited warranty
- Note: this is not an insulated tool
- Contains: 3/16" x 6" Cabinet, 1/4" x 4" Keystone, 1/4" x 6" Cabinet, 5/16" x 6" Keystone & #2 x 4" Phillips

CAT. NO.	UPC NO.	DESCRIPTION	WEIGHT
0153-01C	56303	5-Piece Screwdriver Set	1.38 lbs. (.63 kg)
0153-01C-CP	95930	5-Piece Screwdriver Set Counter Pack (Qty 5)	1.38 lbs. (.63 kg)

Mini Screwdriver Set



0153-03C

- Precision machined tips for exact fastener fit
- Strong durable black phosphate tips to prevent chipping or plating
- Handle marked for easy identification of screwdriver size and type
- Cushion grip handle for extra comfort and no slipping
- Designed to meet ASME/ANSI specifications
- Lifetime limited warranty
- Note: this is not an insulated tool

CAT. NO.	UPC NO.	DESCRIPTION	WEIGHT
0153-03C	13438	4-Piece Mini Screwdriver Set (Round Shank): Sizes #0 Phillips, 1/16" Keystone, 3/32" Cabinet & 1/8" Cabinet	.16 lbs. (.08 kg)

9-In-1 Multi-Tool Driver



0153-43C

- Versatile multi-bit screwdriver, 9 tools in one
- Drive hex nuts, Phillips, Square-recess and slotted fasteners
- High-grade, rust resistant, chrome-plated finish
- Precision machined, hardened steel bits
- Cushion grip handle for extra comfort and torque
- Lifetime limited warranty
- Note: this is not an insulated tool

CAT. NO.	UPC NO.	DESCRIPTION	WEIGHT
0153-43C	13490	9-In-1 Multi-tool, Contains bits: #1 & #2 Phillips, #1 & #2 Square Recess and 3/16" & 1/4" Flat Tip, 1/4", 5/16" & 3/8" Hex	.45 lbs.
9953-15	10628	Replacement bits 9-In-1	—

6-In-1 Multi-Tool



0153-42C

- Versatile multi-bit screwdriver, 6 tools in one
- Precision machined, hardened steel bits
- High-grade, rust resistant, chrome-plated finish
- Cushion grip handle for extra comfort and torque
- Lifetime limited warranty
- Note: this is not an insulated tool

CAT. NO.	UPC NO.	DESCRIPTION	WEIGHT
0353-41C	89218	6-In-1 Multi-tool, Contains: #1 & #2 Square Recess, 6mm Flat-Tip & #2 Phillips and 1/4" & 5/16" Hex	.42 lbs
0153-42C	56308	6-In-1 Multi-tool, Contains: 3/16" & 1/4" Flat-Tip, #1 & #2 Phillips and 5/16 & 1/4" Hex	.42 lbs
9953-13	56310	Replacement bits – 3/16" & 1/4" Flat-tip and #1 & #2 Phillips	—
9953-14	89219	Replacement bits – #1 & #2 Square Recess and 6mm Flat Tip & #2 Phillips	—

8" Striking Tool/Screwdriver



UT153-18

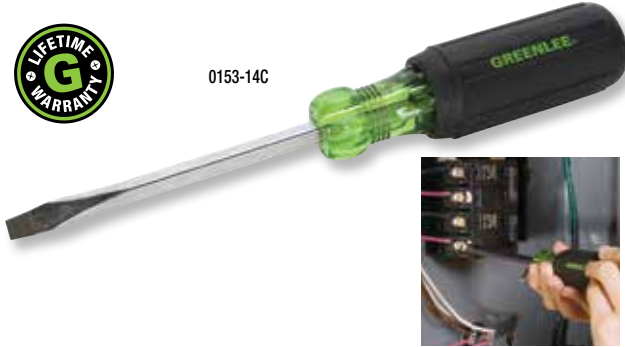
- 5/16" x 8" slotted screwdriver with shaft extending through the handle to ensure durability when striking with a hammer
- 8" square shaft is heat treated for strength and durability and black oxide coating at the tip helps prevent cam-out when in use
- Square shank allows for use of wrench or pliers for added torque
- Hardened plastic handle with a metal cap at the end of the screwdriver ensures durability when using a hammer
- Exceeds ASME/ANSI specifications

CAT. NO.	UPC NO.	DESCRIPTION	WEIGHT
UT153-18	89913	Striking Tool / Screwdriver	.56 lbs.

Heavy-Duty Keystone Tip Screwdriver



0153-14C



- Square shank allows use of wrench or pliers for added torque
- Handle marked for easy identification of screwdriver size, type and length
- Rugged keystone tip for additional strength
- Precision-machined tips for accurate fastener contact
- Strong, durable black phosphate tips prevent chipping of plating
- Cushion grip handle for extra comfort and torque
- Exceeds ASME/ANSI specifications
- Lifetime limited warranty
- Note: this is not an insulated tool

CAT. NO.	UPC NO.	DESCRIPTION: HEAVY DUTY KEYSTONE TIP	WEIGHT
0153-11C	54644	Square Shank 1/4" x 4" Flat Blade Screwdriver	.25 lbs
0153-12C	54645	Square Shank 1/4" x 6" Flat Blade Screwdriver	.30 lbs
0153-13C	54646	Square Shank 1/4" x 8" Flat Blade Screwdriver	.35 lbs
0153-14C	54647	Square Shank 1/4" x 10" Flat Blade Screwdriver	.40 lbs
0153-15C	56304	Square Shank 5/16" x 6" Flat Blade Screwdriver	.40 lbs
0153-16C	56305	Square Shank 3/8" x 8" Flat Blade Screwdriver	.55 lbs

Heavy-Duty Cabinet Tip Screwdriver



0153-21C



- Narrow cabinet tip for limited access applications
- Handle marked for easy identification of screwdriver size, type and length
- Precision-machined tips for accurate fastener contact
- Strong, durable black phosphate tips prevent chipping of plating
- Cushion grip handle for extra comfort and torque
- Exceeds ASME/ANSI specifications
- Lifetime limited warranty
- Note: this is not an insulated tool

CAT. NO.	UPC NO.	DESCRIPTION: HEAVY DUTY CABINET TIP	WEIGHT
0153-21C	54652	Round Shank 3/16" x 4" Flat Blade Screwdriver	.15 lbs
0153-22C	54653	Round Shank 3/16" x 6" Flat Blade Screwdriver	.18 lbs
0153-23C	54654	Round Shank 3/16" x 8" Flat Blade Screwdriver	.20 lbs
0153-24C	54655	Round Shank 3/16" x 10" Flat Blade Screwdriver	.22 lbs
0153-25C	54649	Round Shank 1/4" x 4" Flat Blade Screwdriver	.25 lbs
0153-26C	54650	Round Shank 1/4" x 6" Flat Blade Screwdriver	.30 lbs
0153-27C	54651	Round Shank 1/4" x 8" Flat Blade Screwdriver	.35 lbs

Stubby Screwdriver



0153-32C



0153-28C



- Precision-machined tips for exact fit
- Handle marked for easy identification of screwdriver size, type and length
- Strong, durable black phosphate tips prevent chipping of plating
- Cushion grip handle for extra comfort and torque
- Exceeds ASME/ANSI specifications
- Lifetime limited warranty
- Note: this is not an insulated tool

CAT. NO.	UPC NO.	DESCRIPTION:	WEIGHT
0153-04C	13491	Stubby 2PC Screwdriver Set	.20 lbs
0153-28C	54648	Round Shank 1/4" x 1-1/2" Flat Blade Screwdriver	.10 lbs
0153-32C	54657	Heavy Duty Phillips Tip #2 x 1-1/2" Screwdriver	.10 lbs

Heavy-Duty Phillips Tip Screwdriver



0153-33C



- Precision-machined tips for exact fit
- Handle marked for easy identification of screwdriver size, type and length
- Strong, durable black phosphate tips prevent chipping of plating
- Cushion grip handle for extra comfort and torque
- Exceeds ASME/ANSI specifications
- Lifetime limited warranty
- Note: this is not an insulated tool

CAT. NO.	UPC NO.	DESCRIPTION	WEIGHT
0153-31C	54656	Heavy Duty Phillips Tip #1 x 3" Screwdriver	.15 lbs
0153-33C	54658	Heavy Duty Phillips Tip #2 x 4" Screwdriver	.25 lbs
0153-34C	54659	Heavy Duty Phillips Tip #2 x 6" Screwdriver	.30 lbs
0153-35C	54660	Heavy Duty Phillips Tip #3 x 6" Screwdriver	.35 lbs
0153-36C	89213	Heavy Duty Phillips Tip #2 x 10" Screwdriver	.40 lbs

Scratch Awl



9753-12C



- Integrated steel endcap for durability and long life
- Heavy-duty construction for piercing and scribing
- High-grade, rust resistant, chrome-plated finish
- Cushion grip handle for extra comfort and torque
- Lifetime limited warranty
- Note: this is not an insulated tool

CAT. NO.	UPC NO.	DESCRIPTION	WEIGHT
9753-12C	54697	Scratch Awl 3"	.22 lbs

Bottle Opener



9753-13C



- Heavy-duty construction to handle any size job
- High-grade, stainless steel for repeated use
- Cushion grip handle for extra comfort and torque
- Handle marked for easy identification

CAT. NO.	UPC NO.	DESCRIPTION	WEIGHT
9753-13C	89249	Bottle Opener	.22 lbs

ADJUSTABLE & RATCHETING WRENCHES

Dipped Handle Adjustable Wrench



- Heavy-duty construction to handle any size job
- Double-dipped vinyl handle for user comfort and slip resistance
- Precision-machined to tight tolerances for professional feel and smooth operation
- Wide capacity jaw design provides extra versatility
- Measuring scale on head for easy sizing
- Corrosion – resistant finish
- Exceeds ASME/ANSI specifications
- Lifetime limited warranty
- Note: this is not an insulated tool

CAT. NO.	UPC NO.	DESCRIPTION	WEIGHT
0154-06D	89275	Adjustable Wrench Dipped Handle 6"	.35lbs
0154-08D	89291	Adjustable Wrench Dipped Handle 8"	.8 lbs
0154-10D	89292	Adjustable Wrench Dipped Handle 10"	1.17 lbs
0154-12D	89293	Adjustable Wrench Dipped Handle 12"	1.9 lbs

7-Piece Combination Ratcheting Wrench Set - Fractional



- Compact reversible switch allows a 15° offset of the box end for clearance of obstacles
- "Five-degree" ratcheting design for versatility and ease of use in tight spaces
- Polished chrome finish for superior corrosion resistance
- Precision heads for accurate fastener fit
- Hardened for durability and longer life
- Exceeds ASME/ANSI specifications
- Lifetime limited warranty
- Note: this is not an insulated tool

CAT. NO.	UPC NO.	DESCRIPTION	WEIGHT
0354-01	55501	7-Piece Combination Ratcheting Wrench Set: Contains - Sizes 1/4", 5/16", 3/8", 7/16", 1/2", 9/16" & 5/8"	1.25 lbs

Combination Ratcheting Wrenches - Fractional



0354-15

- Compact reversible switch allows a 15° offset of the box end for clearance of obstacles
- “Five-degree” ratcheting design for versatility and ease of use in tight spaces
- Polished chrome finish for superior corrosion resistance
- Precision heads for accurate fastener fit
- Hardened for durability and longer life
- Exceeds ASME/ANSI specifications
- Lifetime limited warranty
- Note: this is not an insulated tool

CAT. NO.	UPC NO.	DESCRIPTION	WEIGHT
0354-11	55494	Combination Ratcheting Wrench 1/4"	.09 lbs
0354-12	55495	Combination Ratcheting Wrench 5/16"	.08 lbs
0354-13	55496	Combination Ratcheting Wrench 3/8"	.12 lbs
0354-14	55497	Combination Ratcheting Wrench 7/16"	.16 lbs
0354-15	55498	Combination Ratcheting Wrench 1/2"	.22 lbs
0354-16	55499	Combination Ratcheting Wrench 9/16"	.26 lbs
0354-17	55500	Combination Ratcheting Wrench 5/8"	.37 lbs
0354-18	89268	Combination Ratcheting Wrench 11/16"	.45 lbs
0354-19	89269	Combination Ratcheting Wrench 3/4"	.53 lbs
0354-20	89270	Combination Ratcheting Wrench 13/16"	.79 lbs
0354-21	89271	Combination Ratcheting Wrench 7/8"	.79 lbs
0354-22	89272	Combination Ratcheting Wrench 15/16"	1.1 lbs
0354-23	89273	Combination Ratcheting Wrench 1"	1.1 lbs
0354-24	13517	Combination Ratcheting Wrench 1-1/16"	1.44 lbs
0354-25	13518	Combination Ratcheting Wrench 1-1/8"	2.05 lbs
0354-26	13519	Combination Ratcheting Wrench 1-1/4"	2.05 lbs

HEX KEYS

T-Handle Hex Key Drivers



- 10 sizes available piece for convenience and versatility (including sizes 3/32", 7/64", 1/8", 9/64", 5/32", 3/16", 7/32", 1/4", 5/16", 3/8")
- 10 piece set includes all sizes listed above and convenient holder
- Heat-treated and tempered for extra strength and durability
- Exceeds ASME/ANSI specifications
- Ergonomic molded grips for max torque & comfort
- Ball end allows up to 30 degrees misalignment
- Square-cut end for high torque applications
- Lifetime limited warranty
- Note: this is not an insulated tool

CAT. NO.	UPC NO.	DESCRIPTION	WEIGHT
0254-40	13499	T-Handle Wrench Set, 10PC set	1.8 lbs
0254-42	13500	T-Handle Wrench, 3/32"	.06 lbs
0254-43	13501	T-Handle Wrench, 7/64"	.07 lbs
0254-44	13502	T-Handle Wrench, 1/8"	.07 lbs
0254-45	13503	T-Handle Wrench, 9/64"	.08 lbs
0254-46	13504	T-Handle Wrench, 5/32"	.11 lbs
0254-47	13505	T-Handle Wrench, 3/16"	.13 lbs
0254-48	13506	T-Handle Wrench, 7/32"	.16 lbs
0254-49	13507	T-Handle Wrench, 1/4"	.25 lbs
0254-50	89187	T-Handle Wrench, 5/16"	.33 lbs
0254-51	89197	T-Handle Wrench, 3/8"	.44 lbs

9-Piece Folding Hex-Key Set - Standard



0254-11

- 9 piece set for convenience and versatility (including sizes 5/64", 3/32", 7/64", 1/8", 9/64", 5/32", 3/16", 7/32", 1/4")
- One-piece, powder-coated handle/case for corrosion resistance
- Laser-etched sizes on case for easy identification
- Heat-treated and tempered for extra strength and durability
- Exceeds ASME/ANSI specifications
- Lifetime limited warranty
- Note: this is not an insulated tool

CAT. NO.	UPC NO.	DESCRIPTION	WEIGHT
0254-11	56323	9-Piece Folding Hex-key Set: Sizes - 5/64", 3/32", 7/64", 1/8", 9/64", 5/32", 3/16", 7/32" & 1/4"	.48 lbs

9-Piece Folding Ball-End Hex-Key Set - Standard



0254-12



- 9 piece set for convenience and versatility (including sizes 5/64", 3/32", 7/64", 1/8", 9/64", 5/32", 3/16", 7/32", 1/4")
- Ball-end design allows for angled use up to 30 degrees
- One-piece, powder-coated handle/case for corrosion resistance
- Laser-etched sizes on case for easy identification
- Heat-treated and tempered for extra strength and durability
- Exceeds ASME/ANSI specifications
- Lifetime limited warranty
- Note: this is not an insulated tool

CAT. NO.	UPC NO.	DESCRIPTION	WEIGHT
0254-12	55482	9-Piece Folding Ball-end Hex-key Set: Sizes - 5/64", 3/32", 7/64", 1/8", 9/64", 5/32", 3/16", 7/32" & 1/4"	.48 lbs

5-Piece Folding Hex-Key Set - Standard



0254-13



- 5 Piece Folding Set for convenience and versatility when stored in a pouch or a toolbox
- Each hex key is heat treated and tempered for extra strength and durability
- Sizes included: 3/16", 7/32", 1/4", 5/16", and 3/8"
- Powder coated case for corrosion resistance and long life
- Designed to exceed ASME/ANSI specifications
- Lifetime limited warranty

CAT. NO.	UPC NO.	DESCRIPTION	WEIGHT
0254-13	56269	5 Piece Folding Set: Sizes included: 3/16", 7/32", 1/4", 5/16", and 3/8"	.75 lbs

9-Piece Folding Hex-Key Set - Metric



0254-31



- 9 piece set for convenience and versatility (including sizes 1.5, 2, 2.5, 3, 4, 5, 6, 8 and 10 mm)
- One-piece, powder-coated handle/case for corrosion resistance
- Laser-etched sizes on case for easy identification
- Heat-treated and tempered for extra strength and durability
- Exceeds ASME/ANSI specifications
- Lifetime limited warranty
- Note: this is not an insulated tool

CAT. NO.	UPC NO.	DESCRIPTION	WEIGHT
0254-31	89267	9-Piece Folding Hex-key Set: Sizes - 1.5, 2, 2.5, 3, 4, 5, 5.5, 6, and 7mm.	.51 lbs

CUTTING TOOLS

Professional Folding Utility Knives



- Quick change mechanism for easy blade removal
- Heavy-duty handle
- Back lock for additional safety
- Blade Storage on tool
- Not an insulated tool

CAT. NO.	UPC NO.	DESCRIPTION	WEIGHT
0652-22	00041	Folding Utility Knife	.85 lbs
0652-23	00043	Folding Utility Knife, Heavy-Duty	.85 lbs

Utility Knife



- Over-molded for secure, comfortable grip
- Retractable three-position blade for safety and convenience
- Easy front-loading design provides for quick blade change
- Blade storage in pop-up holder
- Packaged with three heavy-duty patented serrated blades (Cat # 9952-11)
- Note: this is not an insulated tool

CAT. NO.	UPC NO.	DESCRIPTION	WEIGHT
0652-11	54729	Utility Knife with blades	.44 lbs
R 9952-11	56301	Blades for 0652-11 Utility Knife, 5 pack	—

Professional Pocket Knives



SPECIFICATIONS	BLADE	BLADE LENGTH	BLADE SAFETY	HANDLE SIZE	HANDLE MATERIAL	SHEATH
0652-24	440C Stainless Steel	2.25" (57 mm)	Lock-back	3.50" (89mm)	Desert Ironwood with Stainless Bolsters and Belt Clip.	—
0652-25	Titanium Coated 440C Stainless Steel	2.25" (57 mm)	Lock-back	3.50" (89mm)	Anodized Aluminum with Reversible Belt Clip and Lanyard Hole	—
0652-26	440C Stainless Steel	2.25" (57 mm)	Lock-back	3.25" (82mm)	Rosewood with Stainless Bolsters and Swivel Ring	—
0652-28	440C Stainless Steel	2.63" (67 mm)	Lock-back	4.00" (101mm)	Rosewood with Swivel Ring	—
0652-29	440C Stainless Steel	3.00" (76mm)	—	7.80" (198mm)	Full-length Solid Tang with Rosewood Facing, Stainless Bolster and Lanyard Hole	Reinforced Nylon with Belt Loop

CAT. NO.	UPC NO.	DESCRIPTION
0652-24	00057	Drop Point Pocket Knife, Wood
0652-25	00058	Titanium-Coated Drop Point Pocket Knife, Aluminum
0652-26	00059	Coping Blade
0652-28	00061	Hawkbill Pocket Knife, Wood Handle
0652-29	00062	Hawkbill Fixed Blade with Sheath

12" Heavy Duty Hack Saw



- Over-molded rugged design for heavy-duty use and comfort
- Fully-adjustable blade tension up to 30,000 psi for longer blade life and faster, accurate cuts
- Alternative 45° blade mounting allows for flush cutting
- Mounting for most reciprocating saw blades for extra versatility
- Handy blade storage in tubular frame
- Convenient front grip feature for two-handed sawing
- Complete with bi-metal blade (12"/24 TPI)
- Length is 15-3/4"
- Lifetime limited warranty

CAT. NO.	UPC NO.	DESCRIPTION	WEIGHT
333A	23635	12" Heavy Duty Hacksaw	2.15 lbs
333-1218	10037	12" (30.5 cm) Bi-metal Blades, 18 teeth per inch, 5 pack	—
333-1224	10038	12" (30.5 cm) Bi-metal Blades, 24 teeth per inch, 5 pack	—
333-1232	10039	12" (30.5 cm) Bi-metal Blades, 32 teeth per inch, 5 pack	—

BOLT CUTTERS

Threaded Rod Cutter



- One stroke cuts through threaded rod
- Capacity: 1/4"-20 and 3/8"-16 soft steel rod
- Cuts clean, eliminating the need to grind or file before threading a nut onto cut end
- Wide base for stable cutting. Includes mounting hole for fast and easy permanent mounting to work surface
- Strong forged steel cutting head with tool steel cutting die for long life.
- Includes: Threaded Rod Cutter, 1/4" - 20 Cutting Die Set, 3/8" - 16 Cutting Die Set

CAT. NO.	UPC NO.	DESCRIPTION
36587	36587	Threaded Rod Cutter
37186	37186	1/4" - 20 Cutting Die Set
37187	37187	3/8" - 16 Cutting Die Set

Heavy-Duty Bolt Cutters with Fiberglass Handles



- Unique cam bolt blade adjustment for easy cutter alignment
- Forged steel blades for long life
- Clevis-mounted blades for greater strength
- Custom rubber grips for maximum power
- Fiberglass handles are tough and lightweight

CAT. NO.	UPC NO.	DESCRIPTION	CAPACITY	
			RB85	RC40
HDFBC18	11277	Heavy-Duty Bolt Cutter with Fiberglass Handles 18 in. (457 mm) Long	5/16" (7.9 mm)	7/32" (5.6 mm)
HDFBC24	11278	Heavy-Duty Bolt Cutter with Fiberglass Handles 24 in. (610 mm) Long	3/8" (9.5 mm)	9/32" (7.1 mm)
HDFBC30	11279	Heavy-Duty Bolt Cutter with Fiberglass Handles 30 in. (762 mm) Long	1/2" (12.7mm)	5/16" (7.9 mm)
HDFBC36	11280	Heavy-Duty Bolt Cutter with Fiberglass Handles 36 in. (914 mm) Long	5/8" (15.9mm)	11/32" (8.7 mm)
R 11367	11367	Blade Unit for HDFBC18	—	—
R 11342	11342	Blade Unit for HDFBC24	—	—
R 11344	11344	Blade Unit for HDFBC30	—	—
R 11346	11346	Blade Unit for HDFBC36	—	—

Heavy-Duty Bolt Cutters

- Unique cam bolt blade adjustment for easy cutter alignment
- Forged steel blades for long life
- Clevis-mounted blades for greater strength
- Custom rubber grips for maximum power



CAT. NO.	UPC NO.	DESCRIPTION	CAPACITY	
			Rb85*	Rc40
HDHC24	11273	Heavy-Duty Bolt Cutter - 24 in. (610 mm) Long	3/8" (9.5 mm)	9/32" (7.1 mm)
HDHC30	11274	Heavy-Duty Bolt Cutter - 30 in. (762 mm) Long	1/2" (12.7 mm)	5/16" (7.9 mm)
HDHC36	11275	Heavy-Duty Bolt Cutter - 36 in. (914 mm) Long	5/8" (15.9 mm)	11/32" (8.7 mm)
HDHC42	11276	Heavy-Duty Bolt Cutter - 42 in. (1067 mm) Long	3/4" (19.1 mm)	3/8" (9.5 mm)
R 11342	11342	Blade Unit for HDHC24	—	—
R 11344	11344	Blade Unit for HDHC30	—	—
R 11346	11346	Blade Unit for HDHC36	—	—
R 11348	11348	Blade Unit for HDHC42	—	—

Bolt Cutters

- Unique cam bolt blade adjustment for easy cutter alignment
- Forged steel blades for long life
- Clevis-mounted blades for greater strength
- Custom rubber grips for maximum power



CAT. NO.	UPC NO.	DESCRIPTION	CAPACITY	
			RB85	RC40
BC14	11267	Standard Bolt Cutter - 14 in. (356 mm) Long	1/4" (6.4 mm)	3/16" (4.8 mm)
BC18	11268	Standard Bolt Cutter - 18 in. (457 mm) Long	5/16" (7.9 mm)	1/4" (6.4 mm)
BC24	11269	Standard Bolt Cutter - 24 in. (610 mm) Long	3/8" (9.5 mm)	5/16" (7.9 mm)
BC30	11270	Standard Bolt Cutter - 30 in. (762 mm) Long	1/2" (12.7 mm)	11/32" (8.7 mm)
BC36	11271	Standard Bolt Cutter - 36 in. (914 mm) Long	5/8" (15.9 mm)	3/8" (9.5 mm)
R 11281	11281	Blade Unit for BC14	—	—
R 11301	11301	Blade Unit for BC18	—	—
R 11306	11306	Blade Unit for BC24	—	—
R 11316	11316	Blade Unit for BC30	—	—
R 11321	11321	Blade Unit for BC36	—	—

Power-Return Tape Measures



- Compact housing fits easily in the hand or pouch
- Easy to use Click Lock holds tape securely
- Tough ABS case with rubber over mold
- Rigid 1" wide nylon coated blade is double-sided, with 6 ft. standout
- Multi-riveted double tang foot for strength
- 16" and 19.2" stud markings
- 0155-7MA has Metric and English markings
- Note: this is not an insulated tool

CAT. NO.	UPC NO.	DESCRIPTION	WEIGHT
0155-25A	12479	Power Return Tape Measure, double tang/sided, 25 Ft.	.89 lbs
0155-7MA	12477	Power Return Tape Measure, double tang/sided, 7.5 meter	.89 lbs

Straight Claw Hammer



- Universal design perfect for a variety of applications
- Lightweight, durable fiberglass handle for shock resistance
- Cushioned grip and flared handle end for user comfort and to reduce slipping
- Exceeds ASME/ANSI specifications
- Lifetime limited warranty
- Note: this is not an insulated tool

CAT. NO.	UPC NO.	DESCRIPTION	WEIGHT
0156-12	89266	16 oz. Straight Claw Hammer	1.57 lbs

FLASHLIGHTS

Aluminum LED Flashlights



- Long-life 50,000 hour LED light source
- 1 watt LED (D and C sizes) and .5 watt LED (AA sizes)
- 2 brightness settings to extend battery life (for D and C sizes)
- Digitally regulated for constant brightness
- 4 times the battery life of equivalent Xenon
- Aircraft grade anodized aluminum
- Rugged all-weather design
- Anti-roll feature
- Batteries included

CAT. NO.	UPC NO.	DESCRIPTION	BATTERIES	BRIGHTNESS	WEIGHT
FL2AA	13494	LED Aluminum Flashlight, 2AA	(2) AA Alkaline	20 lumens	.4 lbs
FL2C	13495	LED Aluminum Flashlight, 2C	(2) C Alkaline	85/30 lumens	1 lbs
FL2D	13497	LED Aluminum Flashlight, 2D	(2) D Alkaline	85/30 lumens	1.6 lbs

Flexible LED Flashlight



- Small 9/32" head will illuminate tight spaces other flashlights cannot
- 16" flexible PVC coated cable will bend and hold the desired state
- Runs up to 100 hours on two AA batteries (included)
- Rugged white LED light source lasts over 50,000 hours
- Anodized aluminum housing with push-button ON/OFF switch on tail-cap
- Note: this is not an insulated tool

CAT. NO.	UPC NO.	DESCRIPTION	WEIGHT
FL2AAF	10220	Flexible LED Flashlight	.33 lbs

LED Plastic Flashlights



- Powerful LEDs in compact form
- Rugged, all-weather construction
- Batteries are included
- Attachment accessories for added ease-of-use and increased versatility
- FL2AAAPM, FL4AAP and FLHEAD offer a hands-free option

CAT. NO.	UPC NO.	DESCRIPTION
FL2AAAP	13493	LED Penlight
FL4AAP	13498	LED Waterproof Flashlight
FL4AAP-HM	13539	Universal Flashlight Helmet Clip
FL4AAP-PCH	13540	Nylon Belt Pouch
FLHEAD	13543	Head Lamp



SPECIFICATIONS	FL2AAAP	FL4AAP	FLHEAD
PLASTIC HOUSING			
Type	Rugged Lexan	Rugged ABS	Rugged ABS
Seal	Yes, against water & dust	Yes, against water & dust	Yes, against water & dust
Waterproof	3 Feet/1 Meter	10 Feet/3 Meters	33 Feet/10 Meters
LED LIGHT BULB			
Bulb Life	50,000 Hours	50,000 Hours	50,000 Hours
Wattage	0.1 Watt	2 Watt	1 Watt
Lumen	7 Lumen	120 Lumen	42 High/19 Low Lumen
Beam Distance	46 Feet/14 Meters	631 Feet/192 Meters	127-197 Feet/39-60 Meters
Beam Pattern	Normal	Normal	3-spot, diffuse and red diffuse with rotating beam angle adjustment
BATTERY			
Life	14-15 Hours	4-5 Hours	5 (Hi)-12 (Low) Hours
Type	(2) AAA Alkaline	(4) AA Alkaline	(3) AAA Alkaline
OPTIONS			
Included	Pocket Clip	None	Elastic Head Strap & Rubber Hard Hat Stap
Add-On	None	Pouch and/or Helmet Clip	None
DIMENSIONS			
Size	5.2 x .8 in/132 x 21 mm	6.3 x 1.6 x 1.4 in/160 x 40 x 35 mm	2.9 x 1.4 x 1.8 in/73 x 37 x 46 mm
Weight	1.5 oz/43 g	5.6 oz/158 g	3.9 oz/110 g
ADDITIONAL FEATURES			
Certifications	None	UL/CSA Class 1, Div 1	UL/CSA Class 1, Div 1
Rating	None	Hazardous Environment	Hazardous Environment
Switch	Twist on/off bezel switch	Rubber covered push button switch	Twist on/off bezel switch
Performance	None	Thermal Recovery System recycles heat from the LED to warm batteries for improved performance in low temperatures	Thermal Recovery System recycles heat from the LED to warm batteries for improved performance in low temperatures

TOOL BAGS, POUCHES & BELTS

20" Electrician's Bag



0158-11

- Constructed of heavy-duty canvas for durability
- Sixteen canvas, interior & exterior pockets for additional versatility
- Full-grain leather bottom, sides and riveted buckle straps
- Washer rivets for extra strength
- Wrap around handles with reinforced stitching fully support bag bottom for heavy load capacity
- Reinforced bottom helps retain bag shape, while protecting and supporting tools
- Large-opening steel-framed mouth with hinge for rugged use and easy access to contents

SPECIFICATIONS

Dimensions L - 20" (50.8 cm), W- 12" (30.5 cm), H - 10" (25.4 cm)

CAT. NO.	UPC NO.	DESCRIPTION	WEIGHT
0158-11	56334	20" Electrician's Canvas Bag	4.25 lbs.

18" Heavy-Duty Multi-Pocket Bag



0158-12

- Constructed of heavy-duty nylon for longer life
- Thirty-one multi-use reinforced pockets, inside and out help organize tools and accessories
- Large-opening steel-framed mouth with hinge and zipper for rugged use and easy access to contents
- Padded handles and adjustable shoulder strap for comfort and versatility
- Large interior to easily carry power tools, fish tapes and other large tools
- Wrap around handles with reinforced stitching fully support bag bottom for heavy load capacity
- Elastic straps on outside of bag for levels, hammers and crowbars

SPECIFICATIONS

Dimensions L - 18" (45.7 cm), W- 11" (27.9 cm), H - 10" (25.4 cm)

CAT. NO.	UPC NO.	DESCRIPTION	WEIGHT
0158-12	56335	18" Heavy-Duty Multi-pocket Bag	3.55 lbs.

11" Cordura® Open Tool Carrier



0158-13

- Constructed of a double-layer of rugged, lightweight Cordura® fabric
- Versatile thirty-seven pocket and loop design keeps tools organized
- Large square opening with snap handle allows for easy access to spacious interior and pockets
- Box-shaped design and sturdy reinforced bottom with rubber feet prevent tipping
- Heavy-duty box stitching with washer riveting at all stress points for extra strength and longer life
- Padded handle, adjustable shoulder strap and additional built-in straps for extra versatility
- Heavy-duty tape measure holder accepts and holds any size tape securely

SPECIFICATIONS

Dimensions L - 11" (27.9 cm), W- 9" (22.9 cm), H - 10" (25.4 cm)

CAT. NO.	UPC NO.	DESCRIPTION	WEIGHT
0158-13	56336	11" Cordura Open Tool Carrier	4.55 lbs.

*Cordura® is a registered trademark for durable fabric.

16" Tool Carrier with Parts Bin



0158-19

- Versatile 15-pocket design accommodates a wide variety of hand tools
- 13" x 9" multi-compartment plastic tray for small parts storage including connectors, wire nuts, screws, etc
- Padded shoulder strap and carrying handle
- Metal tool clip, electrical tape strap, tape measure clip and 4 pencil/punch tubes
- Main pocket with web loops to accommodate large tools
- Constructed of heavy-duty fabric for durability
- Steel-reinforced edges to maintain shape

SPECIFICATIONS

Dimensions H - 10" (25.4 cm), D - 10" (25.4 cm), W - 16" (40.6 cm)

CAT. NO.	UPC NO.	DESCRIPTION	WEIGHT
0158-19	13388	16" Tool Carrier Bag with Parts Bin	4.1 lbs.

3-Piece Pouch/Belt Combo



0158-16

- Pouch handles allow for easy carrying and storage without spilling tools
- Design features two versatile pouches that are removable and interchangeable
- 3" padded belt features foam core padding for extra comfort and support of heavy tools
- Double layer heavy-duty fabric for durability; will not rot, crack or mildew
- Cordless drill holster
- Includes electrician's metal tape chain, hammer loop and tool clip for convenience
- Made to fit 29"-46" waist

SPECIFICATIONS

Dimensions H - 13" (33 cm), D - 5" (12.7 cm), L - 53" (134.6 cm)

CAT. NO.	UPC NO.	DESCRIPTION	WEIGHT
0158-16	89205	3-Piece Pouch/Belt Combo	3.3 lbs.

7 Pocket Caddy

0158-17



- Constructed of a double-layer of rugged, lightweight Cordura® fabric
- Versatile seven-pocket design easily accommodates a wide variety of professional hand tools
- Large capacity pockets allow for easy access to contents
- Extra versatile design may be carried using handle or worn on a tool belt
- Padded handle design for easy storage
- Heavy-duty electrical tape chain
- Heavy-duty tape measure holder accepts and holds any size tape securely

SPECIFICATIONS

Dimensions H - 11" (27.9 cm), W - 8" (20.3 cm), D - 4" (10.1 cm)

CAT. NO.	UPC NO.	DESCRIPTION	WEIGHT
0158-17	13386	7 Pocket Caddy	.95 lbs.

Cordura® is a registered trademark of E.I. du Pont de Nemours and Company

20-Pocket Tool Caddy

0158-15



- Constructed of a double-layer of rugged, lightweight Cordura® fabric
- Versatile twenty-pocket design easily accommodates a wide variety of professional hand tools
- Large capacity pockets allow for easy access to contents
- Padded handle and shoulder strap design for easy storage and the best way to carry a loaded tool pouch
- Heavy-duty tool snap and electrical tape strap
- Steel hammer holder loop
- Extra versatile design may be carried using shoulder strap or handle, or worn on a tool belt
- Heavy-Duty tape measure holder accepts and holds any size tape securely

SPECIFICATIONS

Dimensions L - 10" (25.4 cm), W - 7" (17.8 cm), H - 13" (33.0 cm)

CAT. NO.	UPC NO.	DESCRIPTION	WEIGHT
0158-15	56337	20-Pocket Tool Caddy	1.45 lbs.

Cordura® is a registered trademark of E.I. du Pont de Nemours and Company

Heavy-Duty 8-Pocket Leather Pouch

0258-11



- Large, divided main pocket area designed for easy storage and tool access
- Four smaller compartments for additional tool organization
- Washer rivets for extra strength
- Extra large metal tool clip
- Tapered compartments for tool stability
- Tape chain included
- Fits belts up to 3" wide
- Top grain leather – won't fade or stain
- Heavy-Duty tape measure holder accepts and holds any size tape securely

SPECIFICATIONS

Dimensions L - 7" (17.8 cm), W - 6" (15.2 cm), H - 10-1/2" (26.7 cm)

CAT. NO.	UPC NO.	DESCRIPTION	WEIGHT
0258-11	56339	Heavy-Duty 8-Pocket Leather Pouch	1.8 lbs.

Heavy-Duty 5-Pocket Leather Pouch



0258-13

- Large main pocket area designed for easy storage and tool access
- Four smaller compartments for additional tool organization
- Washer rivets for extra strength
- Extra large metal tool clip
- Tapered compartments for tool stability
- Tape chain included
- Fits belts up to 3" wide
- Top grain leather – won't fade or stain
- Heavy-Duty tape measure holder accepts and holds any size tape securely

SPECIFICATIONS

Dimensions L - 6" (15.2 cm), W- 3-1/2" (8.9 cm), H - 11" (27.9 cm)

CAT. NO.	UPC NO.	DESCRIPTION	WEIGHT
0258-13	56340	Heavy-Duty 5-Pocket Leather Pouch	1.2 lbs.

Heavy-Duty 4-Pocket Leather Pouch



0258-14

- Four compact pocket areas designed for easy storage and tool access
- Washer rivets for extra strength
- Metal tool clip
- Tapered compartments for tool stability
- Tape chain included
- Fits belts up to 3" wide
- Top grain leather – won't fade or stain

SPECIFICATIONS

Dimensions L - 5" (12.7 cm), W- 2-3/4" (7.1 cm), H - 9" (22.9 cm)

CAT. NO.	UPC NO.	DESCRIPTION	WEIGHT
0258-14	56341	Heavy-Duty 4-Pocket Leather Pouch	.43 lbs.

Heavy-Duty Leather Tool Belt



9858-11

- 2" wide leather belt
- Steel roller double-pronged buckle
- Can be cut to fit 29" to 52" waist

SPECIFICATIONS

Dimensions L - 57" (121 cm), H - 2" (5.1 cm)

CAT. NO.	UPC NO.	DESCRIPTION	WEIGHT
9858-11	56347	Heavy Duty Leather Tool Belt	.63 lbs.

Padded Tool Belt



9858-12

- 5" wide padded tool belt
- Sturdy construction for support of heavy tool pouches
- Foam core padding for extra comfort
- Double layer of rugged, lightweight fabric will not rot, crack, harden or mildew
- Steel roller double-pronged buckle
- Made to fit 30" to 46" waist

SPECIFICATIONS

Dimensions L - 50" (12.7 cm), H - 5" (12.7 cm)

CAT. NO.	UPC NO.	DESCRIPTION	WEIGHT
9858-12	56348	5" Padded Tool Belt	.93 lbs.

12" Canvas Zipper Bag



0158-14

- Constructed of heavy-duty canvas for durability
- Strong zipper for secure closing
- Stores multiple small items or tools

SPECIFICATIONS

Dimensions L - 12" (30.5 cm), H - 7" (17.8 cm)

CAT. NO.	UPC NO.	DESCRIPTION	WEIGHT
0158-14	56338	12" Canvas Zipper Bag	.17 lbs.

INSULATED PLIERS, CUTTERS & CRIMPERS



A PRODUCT VIDEO IS AVAILABLE, SCAN THIS QR CODE OR VISIT:
www.youtube.com/GreenleeDEMO

Insulated Pliers



1000 V



0151-09-INS



0251-08A-INS



0351-08-INS



0451-10-INS

- Forged from chrome vanadium steel for greater strength and long life
- High leverage design provides greater cutting power, reducing fatigue
- Independently tested to meet or exceed IEC and ASTM standards
- Safety orange handles provide visibility and are easily identifiable
- Dual layer insulation for maximum protection
- Guards protect hand from accidental contact of energized source
- Lifetime limited warranty.

CAT. NO.	UPC NO.	DESCRIPTION	WT
0151-09-INS	13456	Pliers, Sidecut, 9", Insulated, Molded Handles	1.22 lbs
0251-08A-INS	13454	Pliers, Diagonal, 8", Insulated, Molded Handles	.72 lbs
0351-08-INS	13455	Pliers, Long Nose, 8", Insulated, Molded Handles	.72 lbs
0451-10-INS	13453	Pliers, Pump, 10", Insulated, Molded Handles	1.13 lbs

Insulated High Leverage Cable Cutter

1000 V



727-INS

- Cuts up to 2/0 copper and aluminum cables and 100 pair communications cables
- High leverage design provides greater cutting power, reducing fatigue
- Precision ground, beveled, shear action blades cut cable cleanly each time
- Independently tested to meet or exceed IEC and ASTM standards
- Safety orange handles provide visibility and are easily identifiable
- Dual layer insulation for maximum protection
- Guards protect hand from accidental contact of energized source
- Lifetime limited warranty

CAT. NO.	UPC NO.	DESCRIPTION	WEIGHT
727-INS	31402	Cable Cutter, High Leverage, Insulated, Molded Handles	1.3 lbs

Insulated Terminal Crimping Tool

1000 V



KP1022-INS

- For crimping both 10-22 AWG insulated and non-insulated terminals and connectors
- Independently tested to meet or exceed IEC and ASTM standards
- Safety orange handles provide visibility and are easily identifiable
- Dual layer insulation for maximum protection
- Guards protect hand from accidental contact of energized source
- Lifetime limited warranty

CAT. NO.	UPC NO.	DESCRIPTION	WEIGHT
KP1022-INS	31403	Crimping Tool, Terminal, Insulated, Molded Handles	1.05 lbs

Insulated Ratchet Cable Cutters



- Exclusive 2-speed ratcheting mechanism adjusts for light/heavy duty cutting
- Simple one-handed operation
- Blades can be opened mid-cycle
- Independently tested to meet or exceed IEC and ASTM standards
- Dual layer insulation for maximum protection
- Guards protect hand from accidental contact of energized source
- Lifetime limited warranty

CAT. NO.	UPC NO.	DESCRIPTION
452061	12680	Ratchet Cable Cutter with insulated Handles (1.5 lbs/.7 kg)
452071	12681	Ratchet Cable Cutter with insulated Handles (2.4 lbs/1.1 kg)
R 45218	45218	Movable Blade (45206 & 452061)
R 45212	45212	Fixed Blade (45206)
R 45211	45211	Movable Blade (45206 & 452061)
R 45228	45228	Fixed Blade (45207)

SPECIFICATIONS

452061	COPPER	ALUMINUM	COMMUNICATION CABLE
Maximum Capacity	600 kcmil (MCM)(300 mm ²)	600 kcmil (MCM)(300 mm ²)	1-3/8" (35 mm) diameter
Frequent use Capacity	500 kcmil (MCM)(240 mm ²)	500 kcmil (MCM)(240 mm ²)	
452071			
Maximum Capacity	750 kcmil (MCM)(400 mm ²)	1000 kcmil (MCM)(500 mm ²)	2" (51 mm) diameter
Frequent use Capacity	600 kcmil (MCM)(300 mm ²)	750 kcmil (MCM)(400 mm ²)	

Insulated Plier and Screwdriver Set



1000 V



0159-01-INS

- Independently tested to meet or exceed IEC and ASTM standards
- Dual layer insulation for maximum protection
- Guards protect hand from accidental contact of energized source
- Lifetime limited warranty
- Custom tool roll-up carrier

Kit Includes:

9" Insulated Side-Cutting Pliers, 8" Insulated Diagonal Cutting Pliers, 8" Insulated Long-Nose Pliers, 10" Insulated Pump Pliers, 3/16"x4" Insulated Cabinet Tip Screwdriver, 1/4"x4" Insulated Cabinet Tip Screwdriver, #2x4" Insulated Phillips Tip Screwdriver, Custom Tool Roll-Up Carrier

CAT. NO.	UPC NO.	DESCRIPTION	WEIGHT
0159-01-INS	10627	Plier & Screwdriver, Insulated Kit, 7 Piece Kit	4.94 lbs

INSULATED DRIVERS

9-Piece Insulated Screwdriver Set



A PRODUCT VIDEO IS AVAILABLE, SCAN THIS QR CODE OR VISIT:

www.youtube.com/GreenleeDEMO



1000 V



- Exceeds the IEC 60900 and ASTM F1505 standards for insulated tools
- Helps meet the requirements of OSHA 1910.331-335, NFPA 70E & CSA-Z462
- Cushion grip handles for comfort and torque
- Dual layer insulation provides added safety and protection against electric shock
- Custom Tool Roll-Up Carrier
- Lifetime limited warranty

Kit Includes:

#1x3" Insulated Screwdriver, #2x4" Insulated Screwdriver, #3x6" Insulated Screwdriver, 1/4"x4" Insulated Cabinet Tip Screwdriver, 3/16"x4" Insulated Cabinet Tip Screwdriver, 3/16"x6" Insulated Cabinet Tip Screwdriver, 3/16"x8" Insulated Cabinet Tip Screwdriver, 5/16"x6" Insulated Cabinet Tip Screwdriver, 3/8"x10" Insulated Cabinet Tip Screwdriver, Custom Tool Roll-Up Carrier

CAT. NO.	UPC NO.	DESCRIPTION	WEIGHT
0153-01-INS	13439	Screwdriver, Insulated, 9 Piece Kit	3.1 lbs

Insulated Screwdrivers



1000 V



- Rated to 1000V AC and exceed both ASTM and IEC standards
- Built heavy-duty for longer life
- Built with precision-machined, black phosphate-plated tips for accurate fastener contact
- Cushion grip handles for comfort and torque
- Dual color insulation provides added safety
- Lifetime Limited Warranty

CAT. NO.	UPC NO.	DESCRIPTION
0153-11-INS	13443	Screwdriver, Insulated, Cabinet Tip, 1/4" X 4"
0153-15-INS	13447	Screwdriver, Insulated, Cabinet Tip, 5/16" X 6"
0153-17-INS	13448	Screwdriver, Insulated, Cabinet Tip, 3/8" X 10"
0153-21-INS	13444	Screwdriver, Insulated, Cabinet Tip, 3/16" X 4"
0153-22-INS	13445	Screwdriver, Insulated, Cabinet Tip, 3/16" X 6"
0153-23-INS	13446	Screwdriver, Insulated, Cabinet Tip, 3/16" X 8"
0153-31-INS	13440	Screwdriver, Insulated, #1 X 3"
0153-33-INS	13441	Screwdriver, Insulated, #2 X 4"
0153-35-INS	13442	Screwdriver, Insulated, #3 X 6"
0353-32-INS	13450	Screwdriver, Insulated, Sq Tip, #1 X 6"
0353-33-INS	13451	Screwdriver, Insulated, Sq Tip, #2 X 6"

CABINET TIP

SPECIFICATIONS	1/4" X 4"	5/16" X 6"	3/8" X 10"	3/16" X 4"	3/16" X 6"	3/16" X 8"
Overall Length	8-1/4" (21.0 cm)	10-7/8" (27.6 cm)	14-7/8" (37.8 cm)	7-3/4" (19.7 cm)	9-3/4" (24.8 cm)	11-5/8" (29.5 cm)
Weight	.26 lbs. (.12 kg)	.40 lbs. (.18 kg)	.61 lbs. (.28 kg)	.16 lbs. (.07 kg)	.19 lbs. (.08 kg)	.21 lbs. (.09 kg)

PHILLIPS TIP

SPECIFICATIONS	#1 X 3"	#2 X 4"	#3 X 6"
Overall Length	6-3/4" (17.1 cm)	8-1/4" (21.0 cm)	10-7/8" (27.6 cm)
Weight	.15 lbs. (.07 kg)	.24 lbs. (.11 kg)	.40 lbs. (.18 kg)

SQUARE TIP

SPECIFICATIONS	#1 X 3"	#2 X 4"
Overall Length	6-3/4" (17.1 cm)	8-1/4" (21.0 cm)
Weight	.15 lbs. (.07 kg)	.24 lbs. (.11 kg)

7-Piece Insulated Nut Holding Nut Driver Set



1000 V



- Exceeds the IEC 60900 and ASTM F1505 standards for insulated tools
- Patent pending Nut-Holding, non-magnetic design – won't collect metal filings, works with stainless steel and brass
- Complies with the IEC 60900 & ASTM F1505 standards
- Helps meet the requirements of OSHA 1910.331-335, NFPA 70E & CSA-Z462
- Dual layer insulation provides added safety and protection against electric shock
- Custom Tool Roll-Up Carrier
- Lifetime limited warranty

Kit Includes:

3/16"x6" Insulated Nut Driver, 1/4"x6" Insulated Nut Driver, 5/16"x6" Insulated Nut Driver, 11/32"x6" Insulated Nut Driver, 3/8"x6" Insulated Nut Driver, 7/16"x6" Insulated Nut Driver, 1/2"x6" Insulated Nut Driver, Custom Tool Roll-Up Carrier

CAT. NO.	UPC NO.	DESCRIPTION	WEIGHT
0253-03NH-INS	13473	Insulated Nut Holding Nut Drivers, 7 Piece Kit	3.1 lbs

Insulated Nut Holding Nut Drivers



1000 V



0253-13NH-INS

- Rated to 1000V AC and exceed both ASTM and IEC standards
- Built heavy-duty for longer life
- Cushion grip handle for more comfort and torque
- Lifetime Limited Warranty
- Patent pending Nut-Holding, non-magnetic design – won't collect metal filings, works with stainless steel and brass

CAT. NO.	UPC NO.	DESCRIPTION
0253-17NH-INS	13480	Insulated Nut Holding Nut Drivers, 1/2" X 6"
0253-12NH-INS	13475	Insulated Nut Holding Nut Drivers, 1/4" X 6"
0253-14NH-INS	13477	Insulated Nut Holding Nut Drivers, 11/32" X 6"
0253-11NH-INS	13474	Insulated Nut Holding Nut Drivers, 3/16" X 6"
0253-15NH-INS	13478	Insulated Nut Holding Nut Drivers, 3/8" X 6"
0253-13NH-INS	13476	Insulated Nut Holding Nut Drivers, 5/16" X 6"
0253-16NH-INS	13479	Insulated Nut Holding Nut Drivers, 7/16" X 6"

SPECIFICATIONS	3/16"	1/4"	5/16"	11/32"	3/8"	7/16"	1/2"
Overall Length	10-1/4" (26.0 cm)	10-1/4" (26.0 cm)	10-1/4" (26.0 cm)	10-1/4" (26.0 cm)	10-1/4" (26.0 cm)	10-7/8" (27.6 cm)	10-7/8" (27.6 cm)
Weight	0.33 lbs. (.15 kg)	0.33 lbs. (.15 kg)	0.36 lbs. (.16 kg)	0.37 lbs. (.17 kg)	0.37 lbs. (.17 kg)	0.46 lbs. (.21 kg)	0.50 lbs. (.23 kg)

SAFETY PRODUCTS

Gloves



Handyman

Workman Pro
Thinsulate®

Tradesman



Tradesman Fingerless



Glove Clips

- 3 styles of top quality, high dexterity gloves – 2 sizes each
- Light-duty Nitrile dipped gloves for resistance to abrasion, punctures and improved grip
- Fingerless Gloves for absolute maximum dexterity and ventilation
- 3M™ Thinsulate® Gloves to protect the hands and keep them warm and sweat-free while in cold weather
- Glove Clips – Keeps gloves handy and minimizes accidental loss with easy clip on/off design for attaching gloves to belt, clothing or equipment

CAT. NO.	UPC NO.	DESCRIPTION
0358-13L	00117	Gloves, Handyman L
0358-13XL	00118	Gloves, Handyman XL
0358-14L	00120	Gloves Tradesman L
0358-14XL	00121	Gloves Tradesman XL
06765-10L	00222	Gloves, Tradesman Finger less, L
06765-10XL	00223	Gloves, Tradesman Fingerless, XL
06765-12L	00233	Gloves, Workman Pro Thinsulate®, L
06765-12XL	00234	Gloves, Workman Pro Thinsulate®, XL
9858-15	00235	Glove Clips

Safety Glasses



Tradesman Smoke



Two-Tone Smoke



Tradesman Amber



Pro-View Mirror



Tradesman Clear



Frameless Clear



Overwrap Clear

- 8 styles of ANSI compliant eyewear to meet the varied needs and tastes of the trade professional
- 2 models with clear lenses for all-around activities
- 2 sunglass styles for outdoor work
- Amber lens for overcast, low-light conditions
- REVO™ mirror lens for ultimate style and protection
- “Cheater” bi-focal lens option for those who need to see close up
- Overwrap-style to fit over prescription glasses or for visitors

CAT. NO.	UPC NO.	DESCRIPTION
01762-01C	00181	Safety Glasses, Tradesman, Clear
01762-01S	00196	Safety Glasses, Tradesman, Smoke
01762-03A	00197	Safety Glasses, Tradesman, Amber
01762-04M	00198	Safety Glasses, Pro View, Mirror
01762-05S	00199	Safety Glasses, Two Tone, Smoke
01762-06C	00200	Safety Glasses, Frameless, Clear
01762-07C	00201	Safety Glasses, Over-wrap, Clear

Revo is a trademark of Revo, Inc.

DRILL/TAPS

Combination Drill/Tap Bits



DTAPKIT



LDTAPKIT

**UP TO
4X
FASTER***

Standard Length:

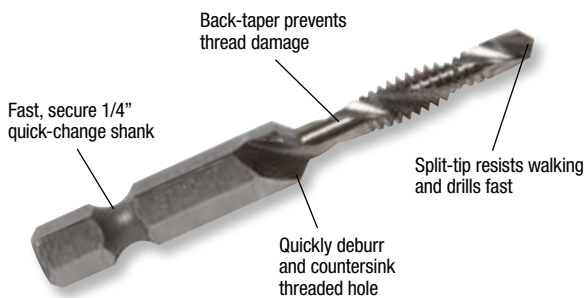


DTAP1/4-20

Long Length:



LDTAP1/4-20



- Tap holes up to 4X faster than traditional methods
- One-piece Drill/Tap design ensures proper hole for tap size
- Hardened High-Speed Steel construction
- Standard length: Drills and taps up to 1/8" material+
- Long length: Drills and taps up to 1/2" material
- Quick-change adapter included in all kits

SPECIFICATIONS

Material thickness	Standard length: up to 1/8" material Long length: up to 1/2" material
Material type	Mild steel, copper, brass, aluminum
Shank	1/4" quick change hex
Drill Material	High-speed steel
Drill point	Split point with web thinning

CAT. NO.	UPC NO.	DESCRIPTION	DTAPKIT	DTAPKITM	LDTAPKIT
DTAPKITM	12151	M3-M10 6 Piece Drill/Tap Set		✓	
DTAPKIT	17620	6-32 to 1/4-20 6-piece Drill Tap Set	✓		
LDTAPKIT	00909	8-32 to 1/4-20, 6-piece Long Drill/Tap Bit Kit with Quick-Change Adapter			✓
DTAP6-32	17611	6-32NC Drill/Tap Bit	✓		
DTAP8-32	17612	8-32NC Drill/Tap Bit	✓		
DTAP10-24	17613	10-24NC Drill/Tap Bit	✓		
DTAP10-32	17614	10-32NF Drill/Tap Bit	✓		
DTAP12-24	17615	12-24NC Drill/Tap Bit	✓		
DTAP1/4-20	17616	1/4-20NC Drill/Tap Bit	✓		
DTAP5/16-18	11627	5/16-18NC Drill/Tap Bit			
DTAP3/8-16	11628	3/8-16NC Drill/Tap Bit			
DTAPM3C	12160	M3 X .50 Drill/Tap Bit		✓	
DTAPM4C	12161	M4 X .70 Drill/Tap Bit		✓	
DTAPM5C	12162	M5 X .80 Drill/Tap Bit		✓	
DTAPM6C	12163	M6 X 1.00 Drill/Tap Bit		✓	
DTAPM8C	12164	M8 X 1.25 Drill/Tap Bit		✓	
DTAPM10C	12165	M10 X 1.50 Drill/Tap Bit		✓	
LDTAP8-32	00908	8-32NC Long Drill/Tap Bit			✓
LDTAP10-32	00907	10-32NF Long Drill/Tap Bit			✓
LDTAP1/4-20	00906	1/4-20NC Long Drill/Tap Bit			✓



*When compared to standard drill, tap, and countersink tools

+For best results, use Greenlee cutting oil with Drill/Tap bits. Always reverse drill rotation when backing bit out of hole. For material thicker than 1/4"; stop and reverse drill to clear chips mid-way through tapping process.

STEP BITS

Kwik Stepper® Step Bits



- Unique split-tip design penetrates through steel faster
- Resists walking or skidding, even on round surfaces
- Balanced, double-flute construction requires less pressure, does the work for you

SPECIFICATIONS

Hole Sizes From 1/8" through 1-3/8" (3.2 - 34.9 mm)
Capacity Cut up through 3/8" (9.5 mm) mild steel, copper, brass, aluminum, wood, plastic and laminates

CAT. NO.	UPC NO.	DESCRIPTION
35884	35884	Kwik Stepper® Step Bit Kit
03607	03607	Kwik Stepper® Step Bit Kit

CAT. NO.	UPC NO.	DESCRIPTION	03607	35884
34401	34401	1/2" Multi-Hole Step Bit	✓	✓
34403	34403	7/8" Multi-Hole Step Bit	✓	✓
30008	30008	1-1/8" Multi-Hole Step Bit		✓
35936	35936	Plastic Case	✓	✓

CAT. NO.	BULK UPC NO.	DESCRIPTION	BULK QTY.
30008-B	01500	K/S Step #8 Bit (Bulk Pop)	25
34403-B	01501	K/S Step #3 Bit (Bulk Pop)	25
36414-B	01502	K/S Step #14 Bit (Bulk Pop)	25



Single-hole bits are designed to drill one indicated hole size through a series of steps from bit tip to full size.

Multi-hole bits allow you to drill a hole in any of the stated diameters.

										METRIC		
		1/2" (12.7 mm)	1/2" (12.7 mm)	1/2" (12.7 mm)	13/16" (20.6 mm)	7/8" (22.2 mm)	7/8" (22.2 mm)	1-1/8" Electrician's	1-3/8" (34.9 mm)	9.7 mm (.382")	30.5 mm (1.201")	32.5 mm (1.280")
		Single-Hole Step Bit	Multi-Hole Step Bit	Multi-Hole Step Bit	Multi-Hole Step Bit	Single-Hole Step Bit	Multi-Hole Step Bit	Multi-Hole Step Bit	Multi-Hole Step Bit	Multi-Hole Step Bit	Multi-Hole Step Bit	Multi-Hole Step Bit
SIZE		CAT/UPC NO.										
Inches	mm	34410	34401	36402	30005	34411	34403	30008	36414	36018	36020	36022
1/8	3.2		✓									
5/32"	4.0		✓									
3/16"	4.8		✓	✓	✓		✓					
7/32"	5.6		✓									
1/4"	6.4		✓	✓	✓		✓					
9/32"	7.1		✓									
5/16"	7.9		✓	✓	✓		✓					
11/32"	8.7		✓									
3/8"	9.5		✓	✓	✓		✓					
0.382"	9.7										✓	
13/32"	10.3		✓									
7/16"	11.1		✓	✓	✓		✓					
15/32"	11.9		✓									
0.492"	12.5										✓ Pg-7	
1/2"	12.7	✓	✓	✓	✓		✓	✓				
9/16"	14.3				✓		✓					
0.598"	15.2										✓ Pg-9	
5/8"	15.9				✓		✓					
0.638"	16.2											✓ ISO-16
11/16"	17.5				✓		✓					
0.732"	18.6										✓ Pg-11	
3/4"	19.1				✓		✓					
0.803"	20.4										✓ Pg-13	✓ ISO-20
13/16"	20.6				✓		✓					
7/8"	22.2					✓	✓	✓	✓			
0.886"	22.5										✓ Pg-16	
1.00"	25.4											✓ ISO-25
1.114"	28.3										✓ Pg-21	
1-1/8"	28.6							✓	✓			
1.201"	30.5								✓			
1-7/32"	31.0								✓			
1-1/4"	31.8								✓			
1.280"	32.5											✓ ISO-32
1-3/8"	34.9								✓			
Overall Length		1-7/8" (47.6 mm)	3-3/8" (85.7 mm)	3-7/16" (87.3 mm)	3-7/16" (87.3 mm)	2-1/8" (54 mm)	3-9/16" (90.5 mm)	2-15/16" (74.6 mm)	3-1/8" (79.4 mm)	1-7/8" (47.6 mm)	3-3/4" (95.3 mm)	3-3/8" (85.7 mm)
Minimum Chuck Size		3/8" (9.5 mm)	3/8" (9.5 mm)	3/8" (9.5 mm)	3/8" (9.5 mm)	3/8" (9.5 mm)	3/8" (9.5 mm)	3/8" (9.5 mm)	3/8" (9.5 mm)	3/8" (9.5 mm)	3/8" (9.5 mm)	3/8" (9.5 mm)
Maximum Material Thickness		10 gauge (3.5 mm)	10 gauge (3.5 mm)	3/8" (9.5 mm)	10 gauge (3.5 mm)	10 gauge (3.5 mm)	10 gauge (3.5 mm)	10 gauge (3.5 mm)	10 gauge (3.5 mm)	10 gauge (3.5 mm)	1/4" (6.4 mm)	1/4" (6.4 mm)

AUGER BITS

Nail Eater® RT



- No more sharpening with our quick-change cutting edge and feed screw
- High quality carbon alloy steel for more durability and longer life
- Pulls through the wood even after several holes, no pushing to finish
- Easy pull-back ground shaft
- Maximum chip removal over the center flute
- Patented tip design

CAT NO.	UPC NO.	DESCRIPTION
66RT-7/8	12555	Auger Bit 7/8" x 18
66RT-1	12556	Auger Bit 1" x 18
63RT-7/8	12558	Auger Bit 7/8" x 8-5/8
63RT-1	12559	Auger Bit 1" x 8-5/8
PTR-7/8	12561	Replacement Kit 7/8"
PTR-1	12562	Replacement Kit 1"



VIDEO

A PRODUCT VIDEO IS AVAILABLE, SCAN THIS QR CODE OR VISIT:
www.youtube.com/GreenleeDEMO

NO MORE RE-SHARPENING!

Easy & Fast to Replace in the Field. Get Back to Work in Seconds.



Insert Cutting Edge...



Insert Feed Screw...



Tighten Set Screw.

Auger Bit Replacement Kit (PTR-7/8 shown)



Nail Eater® Extreme

IMPROVED
CUTTING EDGE



- Improved cutting edge provides 30% longer life span
- Patented new design for improved cutting and cleaner holes
- Self-feeding screw point draws bit through wood
- Patent Pending, cutting angle design - smoother starts, reduced cutting loads
- Made of super tough, heat-treated steel; cuts through nails and provides longer life
- “Shorty” bits - for working in tight places, yet still can go through three abutting 2x4s
- See “Bit Extensions” if more length is required (see page 205).
- P.O.P packaged

SPECIFICATIONS

NAIL EATER® EXTREME SHORTY

Overall Length	7-5/8" (193.7 mm)
Twist Length	5" (127 mm)
Electrical drill required	61 PTS - 5/8 through 61 PTS - 1, minimum 3/8" drill; All Big Shank, 1/2" drill.

NAIL EATER® EXTREME

Overall Length	18" (457.2 mm)
Twist Length	15" (381 mm)

NAIL EATER® EXTREME SHORTY

CAT. NO.	POP UPC NO.	BULK UPC NO.	HOLE DIA.		HEX SHANK		WEIGHT	
			INCH	MM	INCH	MM	LBS	G
61PTS-5/8	30419	—	5/8	15.9	5/16	7.9	.3	137
61PTS-3/4	30423	—	3/4	19.1	5/16	7.9	.4	182
61PTS-7/8	30427	—	7/8	22.2	5/16	7.9	.5	227
61PTS-1	30429	—	1	25.4	5/16	7.9	.8	363
62PTS-5/8	31788	—	5/8	15.9	7/16	11.1	.3	137
62PTS-11/16	31790	—	11/16	17.5	7/16	11.1	.4	182
62PTS-3/4	31792	36640	3/4	19.1	7/16	11.1	.5	227
62PTS-13/16	31794	—	13/16	20.6	7/16	11.1	.5	227
62PTS-7/8	31796	36642	7/8	22.2	7/16	11.1	.6	273
62PTS-1	31798	36643	1	25.4	7/16	11.1	.7	318
61/62PTS-1-1/8	30431	—	1-1/8	28.6	7/16	11.1	.9	409
61/62PTS-1-1/4	30433	—	1-1/4	31.8	7/16	11.1	1.1	499

NAIL EATER® EXTREME

CAT. NO.	POP UPC NO.	BULK UPC NO.	HOLE DIA.		HEX SHANK		WEIGHT	
			INCH	MM	INCH	MM	LBS	G
66PT-1/2	30915	—	1/2	12.7	5/16	7.9	.7	318
66PT-5/8	30919	—	5/8	15.9	7/16	11.1	.8	363
66PT-11/16	30921	—	11/16	17.5	7/16	11.1	1	454
66PT-3/4	30923	36659	3/4	19.1	7/16	11.1	1.2	545
66PT-13/16	30925	—	13/16	20.6	7/16	11.1	1.2	545
66PT-7/8	30927	36662	7/8	22.2	7/16	11.1	1.5	681
66PT-15/16	30929	—	15/16	23.8	7/16	11.1	1.6	726
66PT-1	30931	36664	1	25.4	7/16	11.1	1.8	817
66PT-1-1/8	30935	—	1/8	28.6	7/16	11.1	2.3	1044
66PT-1-1/4	30937	—	1-1/4	31.8	7/16	11.1	2.8	1270

Nail Eater® Extreme Impact Bits

IMPROVED
CUTTING EDGE



- Quickly bore through creosoted and salt-treated utility poles
- Resists wear, eats through nails and staples
- Self-feeding screw point draws the bit through the wood
- 7/16" hex shank to fit impact drivers
- Available in 18" overall length

NAIL EATER® EXTREME

CAT. NO.	POP UPC NO.	HARDWARE DIAMETER		HOLE DIAMETER		OVERALL LENGTH		HEX SHANK		WEIGHT	
		INCH	MM	INCH	MM	INCH	MM	INCH	MM	LBS	G
37868	37868	9/16	14.3	5/8	15.9	18	457.2	7/16	11.1	0.9	409
37869	37869	11/16	17.5	3/4	19.1	18	457.2	7/16	11.1	1.1	499
37870	37870	13/16	20.6	7/8	22.2	18	457.2	7/16	11.1	1.4	636
37871	37871	15/16	23.8	1	25.4	18	457.2	7/16	11.1	1.5	681

Nail Eater® Extreme Black Utility Auger Bits



- Teflon® coating resists heat and friction for fast and smooth operation
- Patented cutting edge cuts nails and staples so the bits last longer over time
- Over center flute design evacuates chips faster, no clogging or chip flyback
- Less power required to drill holes – extending battery life by up to 30%

CAT. NO.	UPC NO.	HARDWARE DIAMETER		HOLE DIAMETER		OVERALL LENGTH		HEX SHANK		WEIGHT	
		INCH	MM	IN	MM	INCH	MM	INCH	MM	LBS	G
66TF-9/16	02004	9/16	14.3	5/8	15.9	18	457.2	7/16	11.1	0.8	363
66TF-11/16	02005	11/16	17.5	3/4	19.1	18	457.2	7/16	11.1	1.1	476
66TF-13/16	02006	13/16	20.6	7/8	22.2	18	457.2	7/16	11.1	1.3	595
66TF-15/16	02007	15/16	23.8	1	25.4	18	457.2	7/16	11.1	1.8	795

Teflon is a registered trademark of E.I. du Pont de Nemours and Company.

Stubby Auger Wood Bits



- Over center single flute design for cleaner holes and less splintering
- Unique cutting edge design for fast and smooth cutting action
- Shorter than the top competitor's bit for better access to tight spaces between studs and joists
- Perfect for drilling 2" and 4" joists
- Augers have self-feeding screw point that draws bit through all wood types with less operator fatigue
- Eliminates the need for special tools such as expensive right angle drills or multiple steps to cut the hole to size
- 1/4" hex quick change design for fast and easy use in all drill types
- Clearly marked with bit diameter and catalog number on shank for easy identification

CAT. NO.	UPC NO.	HOLE DIAMETER		OVERALL LENGTH		WEIGHT	
		INCH	MM	INCH	MM	LBS	G
60A-3/4	12417	3/4	19.1	4.5	144	0.3	136
60A-7/8	12418	7/8	22.2	4.5	144	0.3	149
60A-1	10538	1	25.4	4.5	144	0.4	199

CAT. NO.	UPC NO.	DESCRIPTION
60A-3/4	12417	3/4" Stubby Auger Wood Bit
60A-7/8	12418	7/8" Stubby Auger Wood Bit
60A-1	10538	1" Stubby Auger Wood Bit



Long Auger Wood Bits



**Not a Nail Eater - should not be used in wood with nails or other hard objects*

70PT-11/16

- Fast easy drilling of clean holes, especially in salt treated utility poles
- Made from hardened alloy steel for added toughness
- The self-feeding threaded screw point draws the bit completely through the wood – no need to push the bit while drilling
- Over center flute for evacuating chips
- Shaft is straightened for fewer vibrations to the hand and to help control the quality of the hole
- Cutting edge can be re-sharpened multiple times and continues to self feed
- 7/16" Hex Shank with easy to fit quick change groove for Impact Drivers

CAT NO.	UPC NO.	HARDWARE DIAMETER		HOLE DIAMETER		OVERALL LENGTH		HEX SHANK		WEIGHT	
		INCH	MM	IN	MM	INCH	MM	INCH	MM	LBS	G
70PT-11/16	11097	11/16	17.5	3/4	19.1	24	610	7/16	11.1	1.3	595
71PT-11/16	11100	11/16	17.5	3/4	19.1	30	762	7/16	11.1	1.7	771
70PT-13/16	11098	13/16	20.6	7/8	22.2	24	610	7/16	11.1	2.1	943
71PT-13/16	11101	13/16	20.6	7/8	22.2	30	762	7/16	11.1	1.8	795
70PT-15/16	11099	15/16	23.8	1	25.4	24	610	7/16	11.1	2.1	966
71PT-15/16	11102	15/16	23.8	1	25.4	30	762	7/16	11.1	2.4	1107

Bit Extensions



901-12, 901-18, 902-24, 904H-12, 904H-18, 904H-24,

- Extend bit lengths - Holesaw arbors, spade bits, Nail Eater II™ bits, Electrician's bits and Step bits
- Use for boring deeper in wood

CAT. NO.	UPC NO.	DESCRIPTION
R 3713GB	50962	Set Screw for 901-12/02706
R 3678GB	50753	Set Screw for 902-18/02707 and 902-24/02708
R 3693GB	50765	Set Screw for 904-5-1/2/34996

CAT NO.	UPC NO.	LENGTH		HEX SHANK		HOLE DIAMETER		HEAD DIAMETER		WEIGHT	
		INCH	MM	INCH	MM	INCH	MM	INCH	MM	LBS	G
901-12	02706	12	304.8	1/4	6.4	1/4	6.4	9/16	14.3	1.4	636
902-18	02707	18	457.2	5/16	7.9	23/64	9.1	21/32	16.7	2.5	1134
902-24	02708	24	609.6	5/16	7.9	23/64	9.1	21/32	16.7	3.4	1543
904H-12	34980	12	304.8	7/16	11.1	**		23/32	18.3	2.9	1316
904H-18	35356	18	457.2	7/16	11.1	**		23/32	18.3	4.3	1951
904H-24	35358	24	609.6	7/16	11.1	**		23/32	18.3	5	2268

**For 7/16" Hex or 1/2" Round with 3 Flats, 1/4" Wide

E-Z Bore® Self-Feed Bits



- Tapered backside for easier removal
- Open design won't clog with wood chips
- Three milled flats for use in portable electric or pneumatic drills and stationary boring machines
- Shank size = 7/16"

E-Z BORE® SELF-FEED BITS

CAT. NO.	UPC NO.	PIPE & CONDUIT SIZE	HOLE DIA.		LENGTH		WEIGHT	
			INCH	MM	INCH	MM	LBS.	KG
149H2-1	01247	1/2"	1"	25.4	5"	127.0	0.3	.137
149H2-1-1/8	01250	1/2"	1-1/8"	28.6	5"	127.0	0.3	.137
149H2-1-1/4	01249	3/4"	1-1/4"	31.8	5"	127.0	0.3	.137
149H2-1-3/8	01252	3/4"	1-3/8"	34.9	5"	127.0	0.4	.182
149H2-1-1/2	01248	1"	1-1/2"	38.1	5"	127.0	0.4	.182
149H2-1-3/4	01251	1-1/4"	1-3/4"	44.4	5"	127.0	0.5	.227
149H2-2	01257	1-1/4"	2"	50.8	5"	127.0	0.6	.273
149H2-2-1/8	01260	1-1/2"	2-1/8"	54	5"	127.0	0.7	.318
149H2-2-1/4	01258	1-1/2"	2-1/4"	57.2	5"	127.0	0.7	.318
149H2-2-9/16	01261	2"	2-9/16"	65.1	5"	127.0	0.8	.363
149H2-3	01262	2-1/2"	3"	76.2	5"	127.0	1.1	.499
149H2-3-5/8	01263	3"	3-5/8"	92.1	6-1/4"	158.8	2.1	.953
149H2-4-5/8		4"	4-5/8"	117.5	6-1/4"	158.8	2.6	1.179

E-Z BORE® BIT EXTENSION

CAT. NO.	UPC NO.	DESCRIPTION	HEX SHANK SIZE		LENGTH		WEIGHT	
			INCH	MM	INCH	MM	LBS.	KG
904H2-5-1/2	01266	Bit Extension	7/16"	11.1	5-1/2"	140.0	0.3	.137

E-Z BORE® SCREW POINTS

CAT. NO.	UPC NO.	DESCRIPTION	SCREW POINT SIZE		LENGTH		WEIGHT	
			INCH	MM	INCH	MM	LBS.	KG
149H2-1/4	01254	Screw Point	1/4"	6.4	2"	50.8	0.1	.045
149H2-3/8	01271	Screw Point	3/8"	9.5	2-3/4"	69.9	0.1	.045

E-Z Bore Self-Feed Bits Kit



- Complete assortment of the most commonly used E-Z Bore® bits
- High-impact, rugged plastic carrying case
- Full complement of accessories conveniently stored

E-Z BORE SELF-FEED BIT KIT

CAT. NO.	UPC NO.	DESCRIPTION	PIPE & CONDUIT SIZE	HOLE DIA.		WEIGHT	
				INCH	MM	LBS.	KG
149H2KIT	01273	Contractor Bit Kit	1/2" to 2"	1" to 2-9/16"	25.4 to 65.1	6.0	2.72
34997	34997	Plastic Case					

SPADE BITS

Self-Feeding Spade Bits



34AR6



- Bore hardwood, softwood, plywood and drywall
- Innovative self-feeding design requires less effort and reduces vibration
- Unique tapered design allows existing hole enlargement.
- 1/4" Quick change hex shank
- Forged and heat treated for long life
- For use in 1/4" (6.4 mm) or larger power drills
- Hole in top center of bit for wire pulling
- See "Bit Extensions" (page 205) if more length required
- P.O.P. Packaged

SPADE BIT KIT

CAT. NO.	UPC NO.	DESCRIPTION	WEIGHT	
			LBS.	G
34AR-6	03710	Self-Feeding Spade Bit Kit (6PC)	.83	376.48

34A SPADE BITS – LENGTH 6-1/4" (158.8 MM)

CAT. NO.	UPC NO.	HOLE DIAMETER		HEX SHANK		WEIGHT		KIT CAT./UPC NO.
		INCH	MM	INCH	MM	LBS.	G	34AR-6/ 03710
34A-3/8	03711	3/8	9.5	1/4	6.4	.09	40.8	✓
34A-1/2	03712	1/2	12.7	1/4	6.4	.1	45.3	✓
34A-5/8	03713	5/8	15.9	1/4	6.4	.1	45.3	✓
34A-3/4	03714	3/4	19.1	1/4	6.4	.1	45.3	✓
34A-7/8	03715	7/8	22.2	1/4	6.4	.12	54.4	✓
34A-1	03716	1	25.4	1/4	6.4	.12	54.4	✓

33A SPADE BITS – LENGTH 6-1/4" (158.8 MM)

CAT. NO.	UPC NO.	HOLE DIAMETER		HEX SHANK		WEIGHT		KIT CAT./UPC NO.
		INCH	MM	INCH	MM	LBS.	G	33AR-6/ 20364
33A-1/4	20344	1/4	6.4	1/4	6.4	.05	23.0	
33A-3/8	20346	3/8	9.5	1/4	6.4	.09	40.8	✓
33A-1/2	20348	1/2	12.7	1/4	6.4	.1	45.3	✓
33A-5/8	20350	5/8	15.9	1/4	6.4	.1	45.3	✓
33A-3/4	20352	3/4	19.1	1/4	6.4	.1	45.3	✓
33A-7/8	20354	7/8	22.2	1/4	6.4	.12	54.4	✓
33A-1	20357	1	25.4	1/4	6.4	.12	54.4	✓
33A-1-1/8	20358	1-1/8	28.6	1/4	6.4	.15	68.0	
33A-1-1/4	20359	1-1/4	31.8	1/4	6.4	.15	68.0	
33A-1-3/8	20360	1-3/8	34.9	1/4	6.4	.16	72.6	
33A-1-1/2	20361	1-1/2	38.1	1/4	6.4	.16	72.6	

33L SPADE BITS – LENGTH 16" (406.4 MM)

CAT. NO.	UPC NO.	HOLE DIAMETER		HEX SHANK		WEIGHT	
		INCH	MM	INCH	MM	LBS.	G
33L-3/8	31536	3/8	9.5	1/4	6.4	.32	145
33L-1/2	31537	1/2	12.7	1/4	6.4	.33	150
33L-5/8	31539	5/8	15.9	1/4	6.4	.4	181
33L-3/4	31540	3/4	19.1	1/4	6.4	.4	181
33L-7/8	31541	7/8	22.2	1/4	6.4	.55	250
33L-1	31542	1	25.4	1/4	6.4	.33	150
33L-1-1/2	31545	1-1/2	38.1	1/4	6.4	.6	272

D'VersiBIT® BITS & ACCESSORIES

D'VersiBIT® System



A new twist to an old problem.

These flexible steel drill bits are the right tools for installing wire or cable inside existing walls.

It bends to meet your needs!

Fishing wire or cable through existing walls used to be frustrating and time-consuming, but the D'VersiBIT bit has made it as simple as bowing the spring steel shaft in the direction you want to drill and turning on the power. Proven in the field to deliver accurate and professional results in many applications. Bits range from 3/16" to 1" (4.8 to 25.4 mm) in diameter and in shaft length from 12" to 72" (304.8 to 1828.8 mm).

The D'VersiBIT bit System makes it possible to easily accomplish even complex installations. This patented system attaches a quality drill bit to a long flexible spring steel shaft.

When used with the Placement Tool, this flexibility makes it possible to easily manipulate the bit within walls. After drilling, attach a D'VersiGRIP to the hole in the drill and pull wire or cable back through the wall.



Type M, Masonry



- For drilling in masonry walls and through plaster.
- Recommended for use with Abrasion Shield to reduce friction and abrasion as the shaft turns against masonry.

Type HS, Wood



- Designed for aggressive cutting in all types of wood.
- Made from high-speed steel to ensure long life.
- Replaces Bellhanger bits on 12", 18" and 24" lengths.

BIT DIAMETER INCH (MM) COLOR CODE	SHAFT LENGTH		SHAFT DIAMETER		TYPE M MASONRY		TYPE HS HIGH SPEED STEEL	
	INCH	MM	INCH	MM	CAT. NO.	UPC NO.	CAT. NO.	UPC NO.
1/4" (6.4 mm) Blue	12	304.8	3/16	4.8	—	—	1412D	39913
	18	457.2	3/16	4.8	—	—	1418D	38744
	24	609.6	3/16	4.8	—	—	1424D	38745
	36	914.4	3/16	4.8	—	—	1436D	38746
3/8" (9.5 mm) Black	12	304.8	3/16	4.8	—	—	3812D	39914
	24	609.6	3/16	4.8	—	—	3824D	38750
	36	914.4	3/16	4.8	—	—	3836D	38751
	54	1371.6	3/16	4.8	06-03-54M	38668	3858D	38752
1/2" (12.7 mm) Green	72	1828.8	3/16	4.8	—	—	3872D	38753
	36	914.4	3/16	4.8	—	—	1236D	38756
	54	1371.6	3/16	4.8	—	—	1258D	38757
	72	1828.8	3/16	4.8	—	—	1272D	38758
	54	1371.6	1/4	6.4	08-04-54M	38678		

D'VersiBIT® System



Type A, Auger



- Wood-type auger bit with screw point
- Pulls itself through wood, avoids walking or skidding
- Excellent for drilling in soft woods or through thin sections
- Slow back-taper allows for easy retrieval

Type B, Combination with Screw Point



- For aggressive chip removal in many types of woods
- Screw point for easy starting and pulling through wood
- With screw point removed, this bit can be ground to function like a standard combination bit

Type C, Combination



- For drilling in tough woods and thick obstacles
- Drilling speed relative to pressure applied
- Chips can be brought easily out of the hole

BIT DIAMETER INCH (MM) COLOR CODE	SHAFT LENGTH		SHAFT DIAMETER		TYPE A AUGER		TYPE B COMBINATION WITH SCREW POINT		TYPE C COMBINATION	
	INCH	MM	INCH	MM	CAT. NO.	UPC NO.	CAT. NO.	UPC NO.	CAT. NO.	UPC NO.
1/4" (6.4 mm) Blue	36	914.4	5/32	4.0	—	—	—	—	04-03-36C	38112
	54	1371.6	5/32	4.0	—	—	—	—	04-03-54C	38113
	72	1828.8	5/32	4.0	—	—	—	—	04-03-72C	38114
3/8" (9.5 mm) Black	36	914.4	3/16	4.8	06-03-36A	38067	06-03-36B	38092	06-03-36C	38117
	54	1371.6	3/16	4.8	06-03-54A	38068	06-03-54B	38093	06-03-54C	38118
	72	1828.8	3/16	4.8	06-03-72A	38069	06-03-72B	38094	06-03-72C	38119
1/2" (12.7 mm) Green	36	914.4	3/16	4.8	08-03-36A	38072	08-03-36B	38097	08-03-36C	38122
	54	1371.6	3/16	4.8	08-03-54A	38073	08-03-54B	38098	08-03-54C	38123
	72	1828.8	3/16	4.8	08-03-72A	38074	08-03-72B	38099	08-03-72C	38124
9/16" (14.3 mm) Orange	36	914.4	3/16	4.8	09-03-36A	38077	09-03-36B	38102	—	—
	54	1371.6	3/16	4.8	09-03-54A	38078	09-03-54B	38103	09-03-54C	38128
	72	1828.8	3/16	4.8	09-03-72A	38079	09-03-72B	38104	09-03-72C	38129
3/4" (19.1 mm) Red	36	914.4	1/4	6.4	12-04-36A	38082	—	—	—	—
	54	1371.6	1/4	6.4	12-04-54A	38083	—	—	12-04-54C	38133
	72	1828.8	1/4	6.4	12-04-72A	38084	—	—	12-04-72C	38134
1" (25.4 mm) White	36	914.4	1/4	6.4	16-04-36A	38087	—	—	—	—
	54	1371.6	1/4	6.4	16-04-54A	38088	—	—	—	—
	72	1828.8	1/4	6.4	16-04-72A	38089	—	—	—	—

D'VersiBIT® Starter Kit



DBITKIT

- All the tools to complete a typical wiring job
- Includes 09-03-54B bit, 712P placement tool and 150 pulling grip

CAT. NO.	UPC NO.	DESCRIPTION
DBITKIT	01630	D'VersiBIT® Kit with 9/16" Bit, Placement Tool and Grip for Pulling 1/2" OD Wire

STEEL HOLE CUTTERS

Quick Change Stainless Steel Hole Cutters

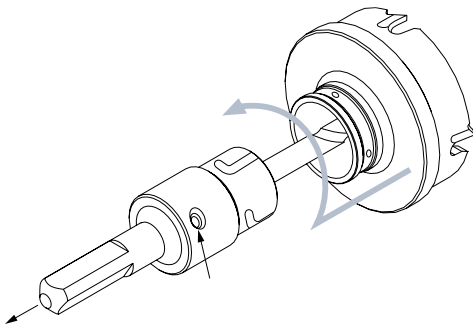


- Cuts stainless steel quickly and easily
- Quick Change arbor allows you to change cutter heads with a simple push and a turn - Use the same arbor for different size cutting heads
- Removable cutter heads available in sizes from 3/4" through 3"
- Flange stop prevents over-drilling
- Ejector spring on all sizes above 3/4" makes removal of slug easier
- Replaceable, cobalt-steel pilot drill with split-point tip to prevent walking
- Precision carbide teeth for optimum performance and durability
- Minimum chuck size of 3/8"
- Precision engineered and manufactured - no annoying chattering and squealing while cutting
- Improved carbide quality for more durability and longer life

KITS

CAT. NO.	UPC NO.	DESCRIPTION
660	05766	7/8", 1-1/8", 1-3/8", 1-3/4", 2" Cutter Heads; Arbor, Hex Key and Case
655	05820	7/8", 1-1/8", 1-3/8" Cutter Heads; Arbor, Hex Key and Case
[R] 03581	03581	3 mm Hex Key
[R] 54274	54274	Set Screw
[R] 55225	55225	1/2" Ejector Spring

NOTE: TO EXTEND THE LIFE OF YOUR TOOL, SEE CUTTING/THREADING OIL ON PAGE 223



SPECIFICATIONS

Maximum Cutting Depth 8 ga. (4 mm)

INDIVIDUAL CARBIDE-TIPPED HOLE CUTTERS

CAT. NO.	UPC NO.	SIZE		CONDUIT SIZE	MIN. CHUCK SIZE		KIT CAT. NO. 660/UPC NO. 05766	KIT CAT. NO. 655/UPC NO. 05820
		INCH	MM		INCH	MM		
645-3/4	05693	3/4	19.0		3/8	9.5		
645-7/8	05695	7/8	22.2	1/2"	3/8	9.5	✓	✓
645-1	05696	1	25.4		25	3/8	9.5	
645-1-1/8	05697	1-1/8	28.6	3/4"	21	3/8	9.5	✓
645-1-7/32	05698	1-7/32	31.0			3/8	9.5	
645-1-1/4	05699	1-1/4	31.8			3/8	9.5	
645-1-3/8	05700	1-3/8	34.9	1"		3/8	9.5	✓
645-1-1/2	05701	1-1/2	38.1			3/8	9.5	
645-1-3/4	05702	1-3/4	44.4	1-1/4"		3/8	9.5	✓
645-2	05703	2	50.8	1-1/2"	50	3/8	9.5	✓
645-2-1/2	05705	2-1/2	63.5	2"	63	3/8	9.5	
645-3	05707	3	76.2			3/8	9.5	

ARBORS AND PILOT DRILLS

CAT. NO.	UPC NO.	DESCRIPTION	Kit Cat. no. 660/UPC No. 05766	Kit Cat. no. 655/UPC No. 05820
645-011	05752	Quick Change Arbor for sizes 5/8" through 2-1/4", 3/8" shank	✓	✓
645-022	05753	Quick Change Arbor for sizes 2-3/8" through 3", 1/2" shank		
645-001	05761	Pilot Drill for sizes 5/8" through 2-1/4"		
645-002	05762	Pilot Drill for sizes 2-3/8" through 3"	✓	✓
55225	55225	Ejector Spring		

Carbide-Tipped Hole Cutters

- Multiple tungsten carbide tips for long life and smooth cutting
- Cut fast, accurate, high quality holes in stainless steel, copper, aluminum, steel
- Flange stop prevents over-drilling
- Replaceable cobalt steel pilot drill, with split-point tip design, to improve performance and resist walking; eliminates need for "center punch"



635

KIT

CAT. NO.	UPC NO.	DESCRIPTION
635	03599	7/8", 1-1/8", 1-3/8" Cutterheads; Pilot Drill, Hex Key and Case
03581	03581	3 mm Hex Key
54274	54274	Set Screw 3/4" to 2" Cutters
54265	54265	Set Screw 2-1/2" Cutter

NOTE: TO EXTEND THE LIFE OF YOUR TOOL, SEE CUTTING/THREADING OIL ON PAGE 223

SPECIFICATIONS

Maximum Cutting Depth 8 ga. (4 mm)

CARBIDE-TIPPED HOLE CUTTERS

CAT. NO.	UPC NO.	SIZE		CONDUIT			MIN. CHUCK SIZE		KIT CAT. NO. 635/UPC NO. 03599
		INCH	MM	SIZE	PG	ISO	INCH	MM	
625-3/4	38324	3/4	19.0		11		1/4	6.4	
625-7/8	38326	7/8	22.2	1/2"	16		1/4	6.4	✓
625-1	38327	1	25.4			25	3/8	9.5	
625-1-1/8	38328	1-1/8	28.6	3/4"	21		3/8	9.5	✓
625-1-7/32	38329	1-7/32	30.5				3/8	9.5	
625-1-3/8	38331	1-3/8	35.0	1"			3/8	9.5	✓
625-1-1/2	38332	1-1/2	38.1				3/8	9.5	
625-1-3/4	38333	1-3/4	44.4	1-1/4"			3/8	9.5	
625-2	38334	2	50.8	1-1/2"	50		3/8	9.5	
625-2-1/2	38336	2-1/2	63.5	2"			1/2	12.7	

REPLACEMENT PILOT DRILLS

CUTTER SIZE RANGE		PILOT DRILL		HEX SET SCREW	
INCH	MM	CAT. NO.	UPC NO.	SIZE	CAT./UPC NO.
3/4-2	19.0-50.8	625-001	39872	3 mm	54274
2-1/2	63.5	625-002	38390	4 mm	54295

Ultra Cutters



925-7/8

- Lasts 10 times longer than standard hole saws
- Precision-ground teeth cut smooth, burr-free holes with ease
- 1/4" (6.35 mm) capacity
- Durability and speed provide low cost per hole
- Split-point pilot drill prevents "walking" – makes accurate hole placement easy
- Spring-loaded slug ejector saves time
- No tool required to change cutter sizes
- Less chance of broken teeth because the saw body is machined out of solid, high-speed steel

KIT

CAT. NO.	UPC NO.	DESCRIPTION
930	10214	Ultra Cutter Kit: Includes 7/8" to 2-1/2" Cutters, two Small Arbors for extended assembly to 7/8" and 1-1/8" Cutters, Large Arbor, Hex Wrench and Case. For conduit sizes 1/2" through 2".







930

ULTRA CUTTERS

CAT. NO.	UPC NO.	ACTUAL HOLE SIZE		HOLE DIAMETER			
		IN.	MM	CONDUIT	PG	ISO	COPPER PIPE
925-7/8	10157	7/8	22.5	1/2"	Pg-16		5/8"
925-1-1/8	10158	1-1/8	28.6	3/4"	Pg-21		
925-1-7/32	01643	1-7/32	30.5				
925-1-3/8	10159	3/8	35.0	1"			
925-1-3/4	10160	1-3/4	44.4	1-1/4"			1-1/2"
925-2	10161	2	50.8	1-1/2"		ISO-50	
925-2-1/2	10162	2-1/2	63.5			ISO-63	2"

ARBORS AND PILOT DRILLS

CAT. NO.	UPC NO.	DESCRIPTION
 925-011	10163	Small Arbor with Pilot Drill for 7/8" to 1-7/32" Size Cutter
 925-022	10185	Large Arbor with Pilot Drill for 1-3/8" to 2-1/2" Size Cutter
 925-001	10186	Small Pilot Drill
 925-002	10211	Large Pilot Drill



RECOMMENDED CUTTING SPEEDS

CUTTER SIZE	RPM			
7/8" (22.5 mm)	350			
1-1/8" (28.6 mm)	270			
1-3/8" (35.0 mm)	220			
1-3/4" (44.4 mm)	175			
2" (50.8 mm)	150			
2-1/2" (63.5 mm)	120			
		AVERAGE*	AVERAGE*	AVERAGE*
		CUTTING TIME	NUMBER	COST/HOLE
		(SEC/HOLE)	OF HOLES	(\$)
Bi-Metal	25	50	0.10	
Ultra Cutter	10	500	0.10	
Carbide-Tipped Cutter	10	500	0.20	

NOTE: TO EXTEND THE LIFE OF YOUR TOOL, SEE CUTTING/THREADING OIL ON PAGE 223

Quick Change Hole Saw Kit



Quick Change Arbor Features:

- New arbor allows for rapid mounting or removal of hole saws
 - Faster, easier slug removal
 - Drill pilot hole without saw:
 1. Eliminates the "bite" when saw crashes into the steel
 2. Provides better ergonomics - reduces stress on wrist, arm and hand
 3. Eliminates obstructed view from hole saw
 - Only one arbor required from 7/8" to 6" (7/16" shank recommended for hole saws above 2-1/2")
 - Works with recessed light and carbide grit hole saw products as well
 - Adapters re-usable to minimize costs
 - Universal - works with any brand hole saw
- Kit contains Bi-metal hole saws for 1/2" through 2" conduit sizes
See page 214 for details

SPECIFICATIONS

Shank	Available for 3/8" and heavy duty 1/2" chuck sizes
Arbor length	5-1/2" with pilot drill
Arbor weight	0.5 lbs (227 g)
Arbor operation	Push collar to lock on saw; pull to release saw
Arbor pilot drill	37623, 4-1/8" x 1/4" (104.8 mm x 6.4 mm)

CAT. NO.	UPC NO.	DESCRIPTION
830Q	02806	Quick Change Hole Saw Kit for 1/2" through 2" Conduit Sizes
R 02800	02800	5/16" Arbor, Minimum Chuck Size 3/8"
R 02801	02801	7/16" Arbor, Minimum Chuck Size 1/2"
R 02803	02803	Small Adapters for 9/16" to 1-9/16" Saws Qty. 10
R 02804	02804	Large Adapters for 1-5/8" to 6" Saws Qty. 3
R 02805	02805	Bushings for 1-1/4" to 1-9/16" Saws Qty. 5

Deburring Tool



- Cleans burrs from both sides of the hole in seconds while saving time and labor
- Works with any hole size or shape 3/4" or larger
- Use with existing drills, battery or electric-powered
- Ensures safety with less chance of personnel or equipment being cut on sharp edges
- Patent pending

CAT. NO.	UPC NO.	DESCRIPTION
11170	11170	Deburring Tool
R 11180	11180	Cutter 3-pack

SPECIFICATIONS

Material thickness	Deburs up to 10 gauge
Material type	Mild and stainless steel, copper, brass, aluminum
Shank	Minimum chuck size 3/8"
Cutter size	13/16" diameter
Operation	Run tool clockwise to deburr, counterclockwise to clear chips

NOTE: TO EXTEND THE LIFE OF YOUR TOOL, SEE CUTTING/THREADING OIL ON PAGE 223

HOLE SAWS

Bi-Metal Hole Saws



- Cut through steel, tin, aluminum, fiberglass, wood and plastic
- Deep 1-5/8" (41.3 mm) cutting depth allows for cutting through 2" x 4" wood studs
- Extra-tough bi-metal blade – we use the highest grade of tool steel to outlast competitor's blades – that beats premature saw replacement and saves you money
- Steam oxide finish – no paint to gum up and slow cutting. The saw runs cooler for longer life and better performance
- Extra-thick backplate minimizes vibration for smoother, easier, less tiring cutting

CAT. NO.	POP UPC NO.	BULK CAT. NO.	BULK UPC NO.	BULK QTY.	ACTUAL HOLE SIZE		HOLE DIA.		CONDUIT	ISO	COPPER PIPE SIZE	USE WITH QUICK CHANGE ARBOR NO.	USE WITH STD. ARBOR NO.
					INCH	MM	CONDUIT	ISO					
825-11/16	19133	—	—	—	11/16	17.5				ISO-16	3/8"	02800*	37157, 37155, or 38522
825-3/4	19134	825B-3/4	29828	25	3/4	19.0					1/2"		
825-7/8	19136	825B-7/8	29829	50	7/8	22.2	1/2"				5/8"		
825-1	19138	825B-1	03447	50	1	25.4				ISO-25	3/4"		
825-1-1/8	19141	825B-1-1/8	29831	50	1-1/8	28.6	3/4"				3/4"		
825-1-1/4	19144	825B-1-1/4	03456	24	1-1/4	31.7					1"		
825-1-5/16	19145	—	—	—	1-5/16	33.3				ISO-32			
825-1-3/8	19146	825B-1-3/8	29832	24	1-3/8	35.0	1"						
825-1-7/16	19147	—	—	—	1-7/16	36.5							
825-1-1/2	19148	—	—	—	1-1/2	38.1					1-1/4"		
825-1-5/8	19150	—	—	—	1-5/8	41.3				ISO-40		37156 or 37154	
825-1-3/4	19152	825B-1-3/4	29834	24	1-3/4	44.4	1-1/4"				1-1/2"		
825-1-7/8	19154	—	—	—	1-7/8	47.6						37156	
825-2	19155	825B-2	29835	24	2	50.8	1-1/2"			ISO-50			
825-2-1/8	19158	825B-2-1/8	38031	24	2-1/8	54.0							
825-2-1/4	19159	825B-2-1/4	03457	24	2-1/4	57.2					2"		
825-2-3/8	19161	825B-2-3/8	38034	24	2-3/8	60.3					2"		
825-2-1/2	19162	825B-2-1/2	29836	24	2-1/2	63.5	2"			ISO-63	2"		
825-2-5/8	19164	825B-2-5/8	38036	18	2-5/8	66.7							
825-2-3/4	19165	—	—	—	2-3/4	69.8							
825-2-7/8	19166	—	—	—	2-7/8	73.0							
825-3	19167	825B-3	29837	18	3	76.2	2-1/2"				2-1/2"		02801*
825-3-1/4	19169	—	—	—	3-1/4	82.5							
825-3-1/2	19171	825B-3-1/2	03458	18	3-1/2	88.9							
825-3-5/8	19172	825B-3-5/8	29838	18	3-5/8	92.1	3"						
825-3-3/4	19174	825B-3-3/4	38045	10	3-3/4	95.2							
825-4	19176	825B-4	03469	10	4	101.6							
825-4-1/8	19177	—	—	—	4-1/8	104.8	3-1/2"				3-1/2"		
825-4-1/4	19178	825B-4-1/4	38049	10	4-1/4	108.0					4"		
825-4-3/8	19179	—	—	—	4-3/8	111.1							
825-4-1/2	19180	825B-4-1/2	38051	10	4-1/2	114.3	4"						
825-4-3/4	19181	—	—	—	4-3/4	120.6						37156	
825-5	19182	825B-5	38053	5	5	127.0							
825-5-1/2	19183	825B-5-1/2	38054	5	5-1/2	139.7					5"		
825-6	19184	825B-6	38055	5	6	152.4							

*See page 213 for Quick Change adapter information.

Carbide-Grit Hole Saws



- Long-lasting tungsten carbide-grit delivers extremely clean, smooth cuts through tile, cement board, and other abrasive materials. Perfect for cutting holes in Quazite® enclosure or hardy board siding for 3-0 box installation
- Rugged construction for enduring performance
- Use with Arbors listed on page 216

CARBIDE GRIT HOLE SAWS

CAT. NO.	UPC NO.	ACTUAL HOLE SIZE		HOLE DIAMETER		
		IN.	MM	CONDUIT	PG	ISO
725-7/8	10072	7/8	22.2	1/2"	16	
725-1-1/8	10073	1-1/8	28.6	3/4"	21	
725-1-3/8	10075	1-3/8	35.0	1"		
725-1-3/4	10077	1-3/4	44.4	1-1/4"		
725-2	10078	2	50.8	1-1/2"		50
725-2-1/2	10080	2-1/2	63.5	2"		63
725-3-5/8	10081	3-5/8	92.1	3"		
725-4-1/8	10687	4-1/8	104.8	3-1/2"		
725-4-1/2	01879	4-1/2	114.3	4"		

PILOT DRILL

CAT. NO.	UPC NO.	DESCRIPTION
725-001	10082	1/4" Carbide Tipped Pilot Drill

Quazite is a registered trademark of Hubbell Inc.

Arbors with Replacement High-Speed Steel Pilot Drill Bits

- The best arbor in the industry ensures a solid connection without any gaps or wobbling
- Arbors include replaceable, high-speed steel pilot drill
- Pilot drills have unique split-point tip design
- Use with Greenlee bi-metal hole saws, recessed light hole saws and carbide-grit hole saws (carbide-tipped pilot drill sold separately)
- Can be used with Greenlee #901 or #904 bit extensions



ARBORS

CAT./UPC NO.							
Standard Pack	N/A	37157	38522	37155	N/A	37154	37156
Point of Purchase Pack	02800	38507	38524	38505	02801	38504	38506
Bulk Pack	N/A	37157B/37630	38522B/38529	37155B/37628	N/A	37154B/37903	37156B/37626
Shank	Hex		Hex	Hex	Hex	Hex	Hex
Shank Size	5/16" (7.9 mm)	1/4" (6.4 mm)	5/16" (7.9 mm)	7/16" (11.1 mm)	7/16" (11.1 mm)	5/16" (7.9 mm)	7/16" (11.1 mm)
Min. Chuck Size	3/8" (9.5 mm)	1/4" (6.4 mm)	3/8" (9.5 mm)	1/2" (12.7 mm)	1/2" (12.7 mm)	3/8" (9.5 mm)	1/2" (12.7 mm)
Locking Collar*	No	No	No	No	No	Yes	Yes
Use With	9/16" - 2" (14.3 - 50.8 mm)	9/16" - 1-3/16" (14.3 - 30.2 mm) Hole Saws	9/16" - 1-3/16" (14.3 - 30.2 mm) Hole Saws	9/16" - 1-3/16" (14.3 - 30.2 mm) Hole Saws	9/16"-6" (14.3 - 152.4 mm)	1-1/4" - 2" (31.8 - 50.8 mm) Hole Saws	1-1/4" - 6" (31.8 - 152.4 mm) Hole Saws and all Greenlee Recessed Light Hole Saws
Weight	0.5 lbs (227 g)	2 lbs (91 g)	.2 lbs (91 g)	.2 lbs (91 g)	0.5 lbs (227 g)	.5 lbs (227 g)	.5 lbs (227 g)



ARBORS

CAT./UPC NO.		
Standard Pack	37623	38526
Qty: 6 per pack		
POP Pack	39873	39893
Qty: 6 per pack		
Bulk Pack	37624	38991
Qty: 50 per pack		
Length	4-1/8" (6.4 mm)	3-1/4" (82.5 mm)
Diameter	1/4" (6.4 mm)	1/4" (6.4 mm)
Use With Greenlee Arbor #'s	37154, 37155, 37156 & 37157	37154, 37155, 37156 & 38522
Weight	.2 lbs (91 g)	.2 lbs (91 g)

CARBIDE-TIPPED PILOT DRILLS

CAT./UPC NO.	
Standard Pack	10082
Length	4-1/8" (104.8 mm)
Diameter	1/4" (6.4 mm)
Use With Greenlee Arbor #'s	37157, 37155, 37156 & 37154
Weight	.2 lbs (91 g)

See page 207 for Quick Change adapter information.

Bi-Metal Hole Saw Kits



835 / 27538



834 / 19913



830 / 19192



889 / 03478



890 / 03479



891 / 03480

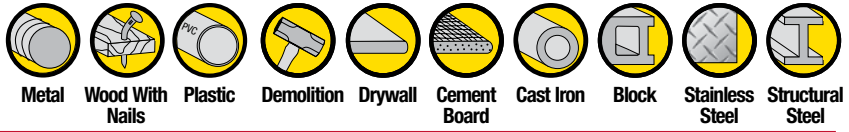
- Several electrician's kits available providing an assortment of the most commonly used Greenlee variable pitch hole saw sizes and arbors
- High-impact, rugged plastic carrying case
- Each kit includes three hole saw sizes

CAT. NO.	UPC NO.	DESCRIPTION	WEIGHT	
			LBS.	KG
830	19192	Hole Saw Kit for 1/2" through 2" Conduit Sizes	2.7	1.2
834	19913	Hole Saw Kit for 2-1/2" through 4" Conduit Sizes	6.2	2.8
835	27538	Hole Saw Kit for 1/2" through 4" Conduit Sizes	7.7	3.5
889	03478	Plumber's Hole Saw Kit - 3/4" through 2-1/4" Conduit Sizes	2.3	1.0
890	03479	Industrial Maintenance Hole Saw Kit - 3/4" through 4-3/4" Conduit Sizes	9.7	4.4
891	03480	Electrician's/Plumber's Hole Saw Kit - 3/4" through 2-1/2" Conduit Sizes	3.5	1.6

CAT. NO.	UPC NO.	DESCRIPTION	KIT CAT./UPC NO.					
			830/ 19192	834/ 19913	835/ 27538	889/ 03478	890/ 03479	891/ 03480
825-3/4	19134	3/4" Hole Saw				✓	✓	✓
825-7/8	19136	7/8" Hole Saw	✓		✓	✓	✓	✓
825-1	19138	1" Hole Saw					✓	
825-1-1/8	19141	1-1/8" Hole Saw	✓		✓	✓	✓	✓
825-1-3/8	19146	1-3/8" Hole Saw	✓		✓		✓	✓
825-1-1/2	19148	1-1/2" Hole Saw				✓	✓	✓
825-1-3/4	19152	1-3/4" Hole Saw	✓		✓	✓	✓	✓
825-2	19155	2" Hole Saw	✓		✓		✓	✓
825-2-1/4	19159	2-1/4" Hole Saw				✓	✓	✓
825-2-1/2	19162	2-1/2" Hole Saw	✓		✓		✓	✓
825-3	19167	3" Hole Saw		✓	✓		✓	
825-3-1/4	19169	3-1/4" Hole Saw					✓	
825-3-5/8	19172	3-5/8" Hole Saw		✓	✓		✓	
825-3-3/4	19174	3-3/4" Hole Saw					✓	
825-4-1/8	19177	4-1/8" Hole Saw		✓	✓		✓	
825-4-1/2	19180	4-1/2" Hole Saw		✓	✓			
825-4-3/4	19181	4-3/4" Hole Saw					✓	
825-3/4	19134	Pg-11 (19.0 mm) Hole Saw						
825-1-1/2	19148	Pg-29 (38.1 mm) Hole Saw						
825-1-7/8	19154	Pg-36 (47.6 mm) Hole Saw						
825-2-3/8	19161	Pg-48 (60.3 mm) Hole Saw						
38522	38522	Arbor w/Pilot Drill	2					
37157	37157	Arbor w/Pilot Drill			✓			
37155	37155	Arbor w/Pilot Drill			✓	✓	✓	✓
37156	37156	Arbor w/Pilot Drill	✓	✓	✓	✓	✓	✓
38526	38526	Pilot Drill				✓	✓	✓

SAW BLADES

Reciprocating Saw Blades



GREENLEE EXTREME Ti-Metal® Blades

- High performance Titanium (Ti) coating + Improved Bi-Metal blades = GREENLEE EXTREME Ti-Metal®
- The super-hard titanium coating helps dissipate heat and resists wear on the cutting teeth
- Extreme Ti-Metal® blades stay sharp, cut faster, and last longer... even in the most demanding applications

GREENLEE EXTREME Blades

- Heavy-duty blades for heavy metal applications
- Designed specifically for extreme metal cutting in structural steel I-Beam and angle iron
- Thicker, wider blades cut straighter and resist bending during high-load cuts

GREENLEE Bi-Metal Blades

- Greenlee blades feature improved bi-metal material with added cobalt for increased toughness, durability and blade life
- Precision cutting teeth are designed to stay sharp and cut fast, saving valuable time on the job
- Available in a variety of blade types for cutting wood, nail embedded wood, metal, and other demanding construction materials

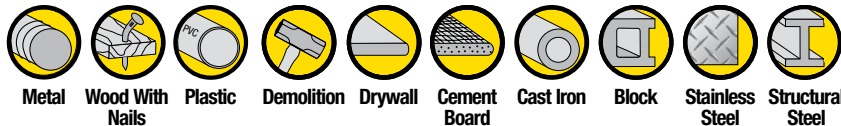
	CAT. NO.	LENGTH X WIDTH X THICKNESS INCH / MM	MATERIAL	QTY/ PK	TEETH PER INCH	SPEED AND QUALITY OF CUT
EXTREME Ti-METAL						
NOTE: Minimum blade length = Material width + 3"						
	353-624G	6 x 3/4 x .035 / 152 x 19 x .9	BEST for sheet metal (1/8" and less).	5	24T	↓ FASTER, ROUGHER
	353-818G	8 x 3/4 x .035 / 203 x 19 x .9	BEST for thin metal (1/16" - 3/16").	5	18T	
	353-618G	6 x 3/4 x .035 / 152 x 19 x .9	BEST for thin metal (1/16" - 3/16").	5	18T	
	353-614G	6 x 3/4 x .035 / 152 x 19 x .9	BEST for medium metal (3/32" - 3/8").	5	14T	
	353-610G	6 x 3/4 x .035 / 152 x 19 x .9	BEST for general purpose.	5	10T	
	353-810G	8 x 3/4 x .050 / 203 x 19 x 1.3	BEST for general purpose.	5	10T	
	353-656G	6 x 3/4 x .050 / 152 x 19 x 1.3	BEST for clean wood and wood with nails. (plunge cutting)	5	6T	
EXTREME						
NOTE: Minimum blade length = Material width + 3"						
	353-6118	6 x 1 x .042 / 152 x 25 x 1.1	BEST for structural steel (up to 1/4").	5	18T	↑ SLOWER, SMOOTHER ↓ FASTER, ROUGHER
	353-9118	9 x 1 x .042 / 229 x 25 x 1.1	BEST for structural steel (up to 1/4").	5	18T	
	353-6114	6 x 1 x .042 / 152 x 25 x 1.1	BEST for structural steel (up to 3/8").	5	14T	
	353-9114	9 x 1 x .042 / 229 x 25 x 1.1	BEST for structural steel (up to 3/8").	5	14T	

N = NEW PRODUCT

R = REPLACEMENT PART

A = ACCESSORY

B = BARE TOOL

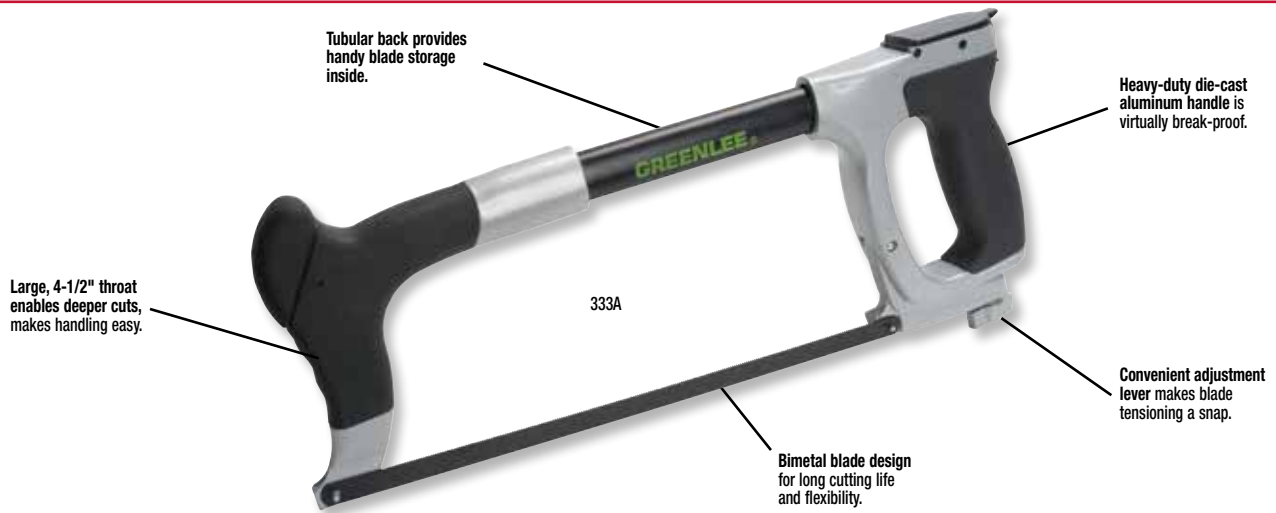


Reciprocating Saw Blades

	CAT. NO.	LENGTH X WIDTH X THICKNESS INCH / MM	MATERIAL	QTY/ PK	TEETH PER INCH	SPEED AND QUALITY OF CUT
BI-METAL						
NOTE: Minimum blade length = Material width + 3"						
	353-624	6 x 3/4 x .035 / 152 x 19 x .9	BETTER for sheet metal (1/8" and less).	5	24T	SLOWER, SMOOTHER ↑
	353-818	8 x 3/4 x .035 / 203 x 19 x .9	BETTER for thin metal (1/16" - 3/16").	5	18T	
	353-618	6 x 3/4 x .035 / 152 x 19 x .9	BETTER for thin metal (1/16" - 3/16").	5	18T	
	353-814	8 x 3/4 x .050 / 203 x 19 x 1.3	BETTER for medium metal (3/32" - 3/8").	5	14T	
	353-614	6 x 3/4 x .035 / 152 x 19 x .9	BETTER for medium metal (3/32" - 3/8").	5	14T	
	353-414	4 x 3/4 x .035 / 102 x 19 x .9	BETTER for medium metal (3/32" - 3/8").	5	14T	
	353-804	8 x 3/4 x .050 / 203 x 19 x 1.3	BETTER for thick metal (1/8" - 1/2").	5	10/14T	
	353-835	8 x 3/4 x .035 / 203 x 19 x .9	BETTER for general purpose.	5	10/14T	
	353-635	6 x 3/4 x .035 / 152 x 19 x .9	BETTER for general purpose.	5	10/14T	
	353-110	12 x 3/4 x .050 / 305 x 19 x 1.3	BETTER for general purpose.	5	10/14T	
	353-810	8 x 3/4 x .050 / 203 x 19 x 1.3	BETTER for general purpose.	5	10T	
	353-610	6 x 3/4 x .035 / 152 x 19 x .9	BETTER for general purpose.	5	10T	
	353-123	6 x 3/4 x .035 / 152 x 19 x .9	BETTER for general purpose.	5	8/18T	
	353-969	9 x 7/8 x .063 / 229 x 22 x 1.6	BEST for demolition projects.	5	8/10T	
	353-646	6 x 3/4 x .050 / 152 x 19 x 1.3	BETTER for clean wood and wood with nails.	5	6T	FASTER, ROUGHER ↓
	353-656	6 x 3/4 x .050 / 153 x 19 x 1.3	BETTER for clean wood and wood with nails. (plunge cutting)	5	6T	
	353-956	9 x 3/4 x .050 / 229 x 19 x 1.3	BETTER for clean wood and wood with nails. (plunge cutting)	5	6T	
	353-156	12 x 3/4 x .050 / 305 x 19 x 1.3	BETTER for clean wood and wood with nails. (plunge cutting)	5	6T	
	353-636	6 x 3/4 x .050 / 152 x 19 x 1.3	BETTER for drywall and plaster.	5	6T	
SPECIALTY						
NOTE: Minimum blade length = Material width + 3"						
	353-800RDG	8 x 3/4 x .039 / 203 x 19 x 1	BEST for cast iron pipe, block & brick and other abrasives such as tile.	1	Diamond Grit	SLOWER, SMOOTHER ↑ ↓ FASTER, ROUGHER
	353-618RS	6 x 3/4 x .039 / 152 x 19 x 1	BEST for stainless steel (1/16" - 3/16"). Carbide teeth	1	18T	
	353-6563RCT	6 x 3/4 x .050 / 152 x 19 x 1.3	BEST for cement board, fiber board, and plaster. Carbide tipped	1	6T	

HAND SAWS

12" Hack Saw



CAT. NO.	UPC NO.	DESCRIPTION
333A	23635	12" (305 mm) Heavy-Duty Hack Saw

SPECIFICATIONS

Capacity	12" (304.8 mm) Blade
Weight	1.4 lbs. (0.7 kg)

REPLACEMENT HACK SAW BLADES

CAT. NO.	UPC NO.	DESCRIPTION	QTY. PER PK
333-1218	10037	12" (305 mm) Bi-metal Blade, 18 Teeth Per Inch	5
333-1224	10038	12" (305 mm) Bi-metal Blade, 24 Teeth Per Inch	5
333-1232	10039	12" (305 mm) Bi-metal Blade, 32 Teeth Per Inch	5

PVC Saws



- "V" tooth design enables straight cuts on both push and pull saw strokes
- Resharpenable blade
- Pointed blade nose makes drywall surface penetration easy
- Ergonomic handle is interchangeable with most popular PVC saw brands

CAT. NO.	UPC NO.	BLADE LENGTH	DESCRIPTION
322-013	00113	13" (330 mm)	PVC Saw
R 322-113	00115	13" (330 mm)	Blade for 00113
R 322-118	00116	18" (457 mm)	Blade for 00114

BAND SAWS

Heavy-Duty Band Saw



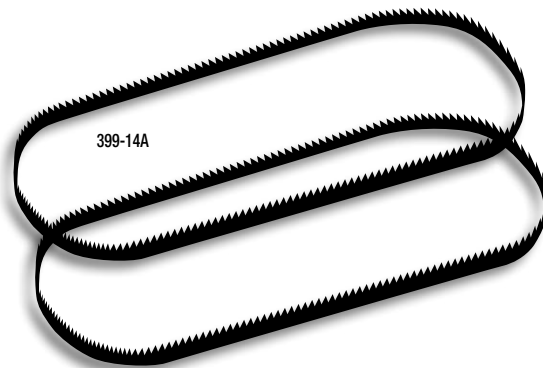
- Cuts up to 8" pipe and 9-1/2" x 11" (241 x 280 mm) tray or duct
- Convertible to wet cutting systems with optional accessories
- Three sawing speeds 76, 141, and 268 feet per minute (23, 43, and 82 meters per minute)
- Converts to vertical in seconds
- Automatic shut-off after cut is complete
- Sturdy wheels for mobility and stability
- Heavy-duty, adjustable hydraulic feed
- Heavy-duty, steel bed with welded steel legs

SPECIFICATIONS

Capacity	Rectangular 9-1/2" x 11" (241.3 x 279.4 mm) Round 9-1/2" Dia. or 8" Pipe (241.3 mm) 45° Angle 5-1/2" (139.7 x 139.7 mm) Vertical Work Table 7-5/8" x 10" (193.7 x 254.0 mm) Throat Height 9-1/2" (241.3 mm) Throat Depth 6-1/4" (158.8 mm)
Dimensions	52" H. x 47" L. x 27" W. (13208 H. x 11938 L. x 685.8 W. mm)
Power Source	1399-120 VAC 1/2 Horsepower. 1399-22 - 220 VAC
Weight	346 lbs. (157 kg)
Blade Size	1/2" x .025" x 93" (12.7 mm x 0.64 mm x 2362 mm)

CAT. NO.	UPC NO.	DESCRIPTION
1399	31961	9-1/2" x 11: Capacity Mobile Band Saw (241.3 x 279.4 mm)
32322	32322	Wet Cutting System for 120VAC 1399
32237	32237	Vertical Work Table

Band Saw Blades



- Perfect for your mobile or portable band saw, these top-quality, bi-metal blades feature high-speed steel teeth that can handle even tough metals like stainless steel with ease
- Bi-metal blades feature high-speed tool steel, bonded to an extra-tough alloy back for maximum hardness and heat resistance
- Fits most popular models of portable band saws

MOBILE BAND SAW BLADES

CAT. NO.	UPC NO.	DESCRIPTION	TYPE	APPLICATION	TEETH PER INCH
R 399-14A	32336	1/2" x .025" x 93" Mobile Band Saw Blade ¹	Bi-Metal	Metal	10/14
R 399-18A	32337	1/2" x .025" x 93" Mobile Band Saw Blade ¹	Bi-Metal	Metal	18
R 399-24A	32338	1/2" x .025" x 93" Mobile Band Saw Blade ¹	Bi-Metal	Metal	24
R 389-1014-5	02593	1/2" x .020" x 44 7/8" Portable Saw Blade ²	Bi-Metal	Metal	10/14
R 389-1418-5	02594	1/2" x .020" x 44 7/8" Portable Saw Blade ²	Bi-Metal	Metal	14/18
R 389-24-5	02595	1/2" x .020" x 44 7/8" Portable Saw Blade ²	Bi-Metal	Metal	24

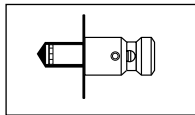
¹ Use with 1399 (31961)

ANCHORS AND FASTENERS

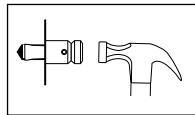
Screw Anchor Expanders for Caulking Anchors



866



1. Drill hole of required size and put anchor screw on expander. Insert screw anchor into drilled hole.



2. Strike head of expander with hammer or mallet until anchor is held securely in wall. Unscrew expander.

- Quickly and securely set expansive screw anchors in masonry, regardless of thickness
- Hardened alloy steel
- Patented

ANCHOR EXPANDERS

CAT. NO.	UPC NO.	EXPANSIVE BELT SIZE	USE WITH ANCHOR NO.	QTY. PER BOX	WEIGHT	
					LB.	KG
866	02667	#10 - 24	84299	1	.3	.1
868	02669	1/4" - 20	84299	1	.4	.2
870	02671	3/8" - 16	84305	1	.6	.3

ANCHOR SCREWS

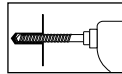
CAT. NO.	UPC NO.	DESCRIPTION
4451AV	05191	Anchor Screw for 866
4457AV	05197	Anchor Screw for 868
4717AV	05300	Anchor Screw for 870
1125GB	50423	Roll Pin 1/4" x 1-1/8"

Caulking Anchors

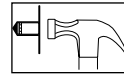


84299

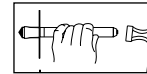
- Zinc alloy and lead caulking anchor can be set flush or subset (Greenlee setting tool required)
- Rustproof, use interior or exterior
- For setting in hollow block
- To set anchors all same depth, use Greenlee screw anchor expander



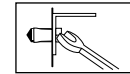
1. Drill hole in masonry.



2. Insert anchor, conical end first, until flush with surface.



3. Using setting tool, caulk lead outer sleeve with sharp blows. Position fixture.



4. Insert screw or bolt and tighten.

LEAD CAULKING ANCHORS AND SETTING TOOLS

CAT. NO.	UPC NO.	THREAD		REQ. HOLE		SET TOOL*	QTY. PER BOX	WEIGHT		WORKING LOAD PULLOUT	
		SIZE	DIA.	MIN. DEPTH	LBS			KG	LBS.	KG	
84299	84299	1/4"-20	1/2"	7/8"	84329	100	3.8	1.7	125	56.6	
84305	84305	3/8"-16	3/4"	1-1/4"	84335	50	7.1	3.2	312.5	141.6	

*One Setting Tool included with each box of anchors.

Approvals: Conforms to the description in Federal Specification FFS-325, Group I, Type 1, Class 1.

NOTE: Working load is one fourth the ultimate/maximum capacity. For critical or unusual applications, site testing is recommended.

Cutting/Threading Oil

- Premium quality, high lubricity for easier cutting and long tool life
- Choice of light or dark

SPECIFICATIONS

Cat. No.	Size	Weight
462-Q, 463-Q	1 Qt. (.9 l)	2.3 lbs. (1 kg)
462-1, 463-1	1 Gal. (3.8 l)	8.7 lbs. (4 kg)






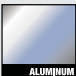




462-Q

CAT. NO.	UPC NO.	DESCRIPTION
462-Q	28237	Dark Cutting/Threading Oil - 1 Qt.
462-1	26096	Dark Cutting/Threading Oil - 1Gal
463-Q	28238	Light Cutting/Threading Oil - 1 Qt
463-1	28239	Light Cutting/Threading Oil - 1 Gal

NOTES

SELECTION GUIDES

Holemaking Selection Guide

MATERIAL TYPE	MATERIAL THICKNESS	NUMBER OF HOLES	PRODUCTS	APPLICATION CONSIDERATIONS
Steel 	10GA	Highest	Slug Splitter® SC Punches	Maximum durability and universal material usage Maximum hole size 4-1/2 inches
			SPEED PUNCH® Punches	Maximum hole size 4-1/2 inches
	10GA	High	Slug-Buster® Punches	Maximum hole size 2-3/8 inches
	10GA	High	Standard Punches	Maximum hole size 6-3/8 inches
	10GA	Medium-High	Ultra Cutters	Maximum hole size 2-1/2 inches
	8GA	High	Carbide-Tipped Hole Cutters	Maximum hole size 3 inches
	10GA	Medium-High	Step Bits	Maximum hole size 1-3/8 inches
	10GA	Medium	Hole Saws	Maximum hole size 6 inches
Stainless Steel 	10GA	Highest	Slug Splitter® SC Punches	Maximum durability and universal material usage Maximum hole size 2-3/8 inches
	10GA	Highest	Lrg. Dia. Punches for Stainless	Hole size 2-1/2 – 4 inches
	9GA	Medium-High	Quick Change Carbide-Tipped Cutter	Maximum hole size 3 inches, quick change cutting heads
	8GA	Medium-High	Carbide-Tipped Hole Cutters	Maximum hole size 2-1/2 inches
Wood 	18"	High	Nail Eater® RT	Cuts through nails, good chip removal, Max hole size 1 inch
	18"	High	Nail Eater® II Bits	Cuts through nails, good chip removal, Max hole size 1-1/4 inches
	2-2 x 4's	High	E-Z Bore® Bits	Self feed screw for hard or soft woods, Max hole size 4-5/8 inches
	2 x 4	High	Step Bits	Maximum hole size 1-3/8 inches, low chip removal
	16"	Medium	Spade Bits	Maximum hole size 1-1/2 inches
	1-5/8" or 2 x 4	High	Hole Saws	Maximum hole size 6 inches
Aluminum 	10GA	Highest	Slug Splitter® SC Punches	Maximum durability and universal material usage Maximum hole size 2-3/8 inches
			SPEED PUNCH® Punches	Maximum hole size 2-3/8 inches
	10GA	High	Slug-Buster® Punches	Maximum hole size 2-3/8 inches
	10GA	High	Standard Punches	Maximum hole size 6-3/8 inches
	10GA	High	Ultra Cutters	Maximum hole size 2-1/2 inches
	10GA	High	Step Bits	Maximum hole size 1-3/8 inches
	10GA	Medium	Hole Saws	Maximum hole size 6 inches
Fiberglass/Plastic  	approx. 1/8"	Highest	Slug Splitter® SC Punches	Maximum durability and universal material usage Maximum hole size 4-1/2 inches
			SPEED PUNCH® Punches	Maximum hole size 4-1/2 inches
	approx. 1/8"	High	Slug-Buster® Punches	Maximum hole size 2-3/8 inches
	approx. 1/8"	High	Standard Punches	Maximum hole size 6-3/8 inches
		High	Ultra Cutters	Maximum hole size 2-1/2 inches
		Medium-High	Step Bits	Maximum hole size 1-3/8 inches
	1-5/8"	Medium	Hole Saws	Maximum hole size 6 inches
Drywall/Ceiling Tile 	7/8"	High	Recessed Light Hole Saws	Replaceable blades
	7/8"	Medium-Low	Quick Cutter	Adjustable or fixed, sprinkler heads or lighting
	7/8"	Medium	Keyhole Saw	Non-round holes
Quazite® Enclosures	approx. 1/8"	High High	Slug-Buster® Punches Carbide-Grit Hole Saws	
Cement Board/Hardy Board Siding		High	Carbide-Grit Hole Saws	
Existing Wall			D'versibits®	Remodeling, phone, cable, alarm installation
Non-Round Hole 		High	Non-Round Punches	Square, rectangular, electronic connector holes
		Medium	Reciprocating Blades	
Metric & Non-Conduit Sizes	16-10GA	High	Standard Punches	
Metal Studs	20GA		Stud Punches	

Knockout Punch Selection Guide



DRIVER TYPE	DRIVE METHOD	CAPACITY	SIZE RANGE AVAILABLE
SPEED PUNCH®	Hydraulic or Battery	Mild steel up thru 10 gauge (3.5 mm)	1.115" through 2.416" dia. (28.3 mm through 61.4 mm)
Slug Splitter® & Slug Splitter® SC	Ratchet, Hydraulic or Battery	Stainless steel or mild steel up thru 10 gauge (3.5 mm)	.598" through 2.526" dia. (15.2 mm through 64 mm)
Slug-Buster® & Slug-Buster® SC	Manual, Ratchet, Hydraulic or Battery	Mild steel up thru 10 gauge (3.5 mm)	.492" through 2.52" dia. (12.5 mm through 64.0 mm)
Standard Round	Manual, Ratchet, Hydraulic or Battery	Mild steel up thru 10 gauge (3.5 mm)	.500" through 6.375" dia. (12.7 through 161.9 mm)

Knockout Punch Driver Selection Guide



DRIVER TYPE	DESCRIPTION	AVAILABLE DRIVER KITS
Battery-Powered Driver (18V Li-Ion Battery)	<ul style="list-style-type: none"> Punch holes from any angle with the 360° rotating head Punches up to 6" holes in 14 gauge mild steel and 2" holes in 14 gauge stainless steel Slim, compact and lightweight design for reduced fatigue and easy control Automatic retraction prevents damage to punch and die One trigger controls all tool functions, no additional manual work required LED light illuminates dark work areas 	SPEED PUNCH® Punches Slug Splitter® Punches Slug-Buster® Punches
Hand Pump Hydraulic Driver with Ram	<ul style="list-style-type: none"> Foot operation frees both hands to operate punch. Powerful hydraulic ram develops 11 tons of hydraulic force Punches up through 10 gauge (3.5 mm) mild steel with Greenlee Speed Punch®, Slug-Buster® and standard knockout punches and 10 gauge (3.5 mm) stainless steel with Greenlee Slug Splitter® SC knockout punches 	Slug Splitter® SC Punches Slug-Buster® Punches Standard Punches
Foot Pump Hydraulic Driver with Ram	<ul style="list-style-type: none"> Powerful hydraulic ram develops 11 tons of hydraulic force Punches up through 10 gauge (3.5 mm) mild steel with Greenlee Speed Punch®, Slug-Buster® and standard knockout punches and 10 gauge (3.5 mm) stainless steel with Greenlee Slug Splitter® SC knockout punches 	Slug-Buster® Punches
Quick Draw® Hydraulic Driver	<ul style="list-style-type: none"> Quick Draw driver is perfect for fast, straight-on panel punching 	SPEED PUNCH® Punches Slug-Buster® Punches
Quick Draw 90° Hydraulic Driver	<ul style="list-style-type: none"> Quick Draw 90 right-angle design allows greater versatility in tight spaces 	
Quick Draw® Flex Hydraulic Driver	<ul style="list-style-type: none"> Quick Draw Flex allows unlimited driver orientation 	
Manual Ratchet Driver	<ul style="list-style-type: none"> Unique punch profile splits slugs allowing easy slug removal 1" Hex Ratchet Wrench allows use with both 3/8" (19.1 mm) and 3/4" (9.5 mm) draw studs Slug-Buster® Punches available in sizes up thru 2.52" (64.0 mm) Standard round punches available up to 5 5/8" (144.1 mm) 	Slug-Buster® Punches Slug-Buster® Metric Punches Standard Metric Punches

SPEED PUNCH® KNOCKOUTS

Knockouts



SAVE TIME AND MONEY WITH EVERY PUNCH!

From the leaders in knockout technology comes the new SPEED PUNCH® System. The patent pending "no-thread" design eliminates cross-threading, while the innovative SPEED LOCK mechanism quickly secures the punch in place. This means longer tool life and faster punches, saving you time and money on the job. SPEED PUNCH® is available in 1/2" - 4" conduit sizes and three kit configurations.



A PRODUCT VIDEO IS AVAILABLE, SCAN THIS QR CODE OR VISIT:

www.youtube.com/GreenleeDEMO

* Compared to standard threaded punch & draw stud set-up and disassembly.



- Punch up to 10 gauge mild steel, aluminum, fiberglass or plastic
- Use with manual-hydraulic and battery-hydraulic drivers
- Available in 1/2" - 4" conduit sizes and three kit configurations
- Knockouts Made in the USA

SPECIFICATIONS

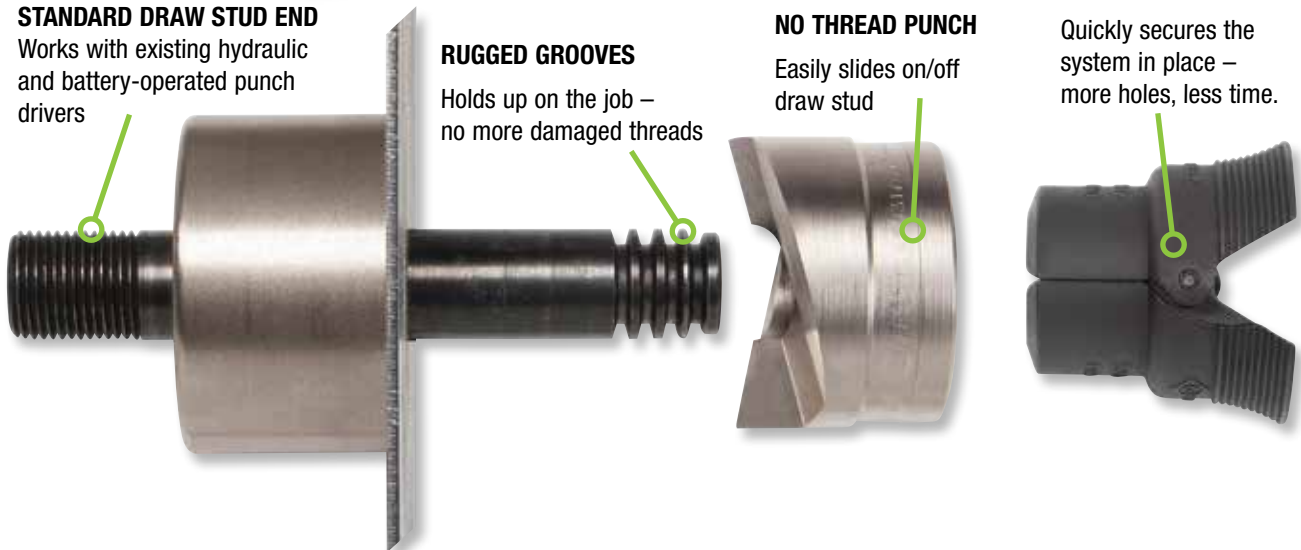
Capacity	Mild steel up through 10 gauge (3.5 mm)
Application	Mild steel, fiberglass and plastic enclosures
Hole Sizes	Conduit Sizes - Hole size is outside diameter of US conduit sizes. Example: 3/4" conduit size actually makes a 1-3/32" hole Pg Sizes - European standard pipe sizes ISO Sizes - International Standards Organization pipe sizes
Operation	Operate with manual-hydraulic and battery-hydraulic drivers

STANDARD DRAW STUD END
Works with existing hydraulic and battery-operated punch drivers

RUGGED GROOVES
Holds up on the job – no more damaged threads

NO THREAD PUNCH
Easily slides on/off draw stud

SPEED LOCK
Quickly secures the system in place – more holes, less time.



It's as simple as:

"No-thread" punch design quickly and easily slides on/off draw stud: The fastest punch system on the market today.



1 SLIDE
Slide die and punch onto draw stud: "No-thread" design eliminates cross-threading.



2 SECURE
Secure SPEED LOCK onto draw stud: Faster setup and disassembly.



3 PUNCH
Punch hole: Save time and money with every punch!

Mild Steel SPEED PUNCH® Knockout System



- Available in 1/2" to 4" conduit sizes
- Punch up to 10 gauge (3.5 mm) mild steel, aluminum, fiberglass, and plastic
- Use with hydraulic and battery-powered drivers
- Knockouts Made in the USA



Stainless Steel SPEED PUNCH® Knockout System



- Available in 1/2" to 2" conduit sizes
- Punch up to 10 gauge (3.5 mm) stainless and mild steel
- Use with hydraulic and battery-powered drivers
- Knockouts Made in the USA



Oiltight SPEED PUNCH® Knockout System



- Available in 22mm & 30mm notched hole sizes
- Punch up to 12 gauge (2.5 mm) mild steel, aluminum, fiberglass, and plastic
- Use with hydraulic and battery-powered drivers
- Knockouts Made in the USA



Metric ISO-16 to ISO-63 SPEED PUNCH® Knockout System



- Available in 22mm & 30mm notched hole sizes
- Punch up to 12 gauge (2.5 mm) mild steel, aluminum, fiberglass and plastic
- Use with hydraulic and battery-powered drivers
- Knockouts Made in the USA



SPEED PUNCH® Knockout Kits for Mild Steel



NEW PRODUCT



LS100L11SB4SP

- Available in 1/2" to 4" conduit sizes
- Punch up to 10 gauge (3.5 mm) mild steel
- Use with manual-hydraulic and battery-hydraulic knockout drivers
- Knockouts Made in the USA



CAT. NO.	UPC NO.	DESCRIPTION
 LS100L11SB4SP	03143	LS100/SPEED PUNCH® Kit, Mild Steel, 1/2" to 4"
 LS100L11SBSP	03384	LS100/SPEED PUNCH® Kit, Mild Steel, 1/2" to 2"
LS50L11SBSP	02257	LS50/SPEED PUNCH® Kit, Mild Steel, 1/2" to 2"
7310SBSP	01716	Hydraulic SPEED PUNCH® Kit, Mild Steel, 1/2" to 4"
7304SP	01715	SPEED PUNCH® Set, Mild Steel, 2-1/2" to 4"
7908SBSP	02258	Quick Draw SPEED PUNCH® Kit, Mild Steel, 1/2" to 2"
7907SBSP	02259	SPEED PUNCH® Set, Mild Steel, 1/2" to 2"

BATTERY-POWERED KNOCKOUT KITS

LS100 & LS50 Battery-Powered Knockout Punch Drivers

NEW PRODUCT

AVAILABLE AS
BARE TOOL



1. COMPATIBLE

Works with all Greenlee Knockouts including SPEED PUNCH®, SLUG-BUSTER®, and SLUG SPLITTER® knockouts

2. 360° ROTATING HEAD

Punches at any angle

3. "AUTO STOP" TECHNOLOGY

Prevents damage to punch and die

4. LIGHTWEIGHT

Ergonomic design provides easy one-handed operation

5. COMPACT

Fits into tight spaces

6. POWERFUL 18V Li-Ion Battery

Long lasting and charges in 30 minutes



A PRODUCT VIDEO IS AVAILABLE. SCAN THIS QR CODE OR VISIT:
www.youtube.com/GreenleeDEMO

Knockouts

LS100

Battery-Hydraulic Knockout Kits

NEW PRODUCT



CAT. NO.	UPC NO.	DESCRIPTION	KNOCKOUT SIZE	MATERIAL TYPE
N LS100L11SB4SP	03143	SPEED PUNCH®	1/2" to 4"	MILD STEEL
N LS100L11SBSP	03384	SPEED PUNCH®	1/2" to 2"	
LS50L11SBSP	02257	SPEED PUNCH®	1/2" to 2"	
N LS100L11SB4	03142	Standard Punches	1/2" to 4"	
N LS100L11SB	03388	Standard Punches	1/2" to 2"	
LS50L11B	04956	Standard Punches	1/2" to 2"	
N LS100L11SS4	03150	Standard Punches	1/2" to 4"	STAINLESS STEEL
N LS100L11SSSP	03148	SPEED PUNCH®	1/2" to 2"	
N LS100L11SS	03145	Standard Punches	1/2" to 2"	

SPECIFICATIONS	LS100	LS50
Weight (driver with battery)	5.8 LBS (2.6 KG)	4.7 LBS (2.1 KG)
Maximum Punch Force	11 Tons (130 kN)	6 Tons (60 kN)
Max Round Punch Size – Mild Steel - 10GA	4" Conduit	2" Conduit
Mild Steel - 12GA	6" Conduit	-
Stainless Steel - 10GA	3" Conduit	1-1/4" Conduit
Stainless Steel - 12GA	4" Conduit	-
Lithium Ion Battery	(2) 18V, 4.0 Ah	(1) 18V, 2.0 Ah
Charging Time	30 Minutes	15 Minutes

SLUG SPLITTER® SC KNOCKOUT KITS

Slug Splitter® SC Ram and Hand Pump Hydraulic Driver Punch Kits

Designed for stainless steel applications



7506 Punch Kit

All Kits Feature:

- Slug Splitter® SC (Self Centering) knockout punches with capacities up through 10 gauge (3.5 mm) stainless steel, refer to individual punch capacity ratings
- Self-centering punch aligns itself on pilot hole
- No need to draw crosshairs or line up die alignment marks

7506 Kit Features:

- Fast, easy and simple to operate
- Compact design makes this a perfect choice for use on construction sites and maintenance jobs
- Will also drive 751 Cable Cutter head
- Powerful 11-ton hydraulic ram
- 3-foot hose

SPECIFICATIONS

Operation 7307/29528 - Quick Draw®, Quick Draw 90® and Quick Draw® Flex Hydraulic Drivers, Battery-Powered Drivers, 7646 and 7625 Ram-Type Drivers.
 744/29619 - Quick Draw®, Quick Draw 90® and Quick Draw® Flex Hydraulic Drivers, Battery-Powered Drivers, 7646 and 7625 Ram-Type Drivers.
 7506/30385 - Hydraulic Ram and Hand Pump included.



7308 Punch Kit (driver not included)

CAT. NO.	UPC NO.	DESCRIPTION	WEIGHT	
			LBS	KG
744	29619	1/2" through 1-1/4" Conduit Size Slug Splitter® SC Knockout Punch Kit	5	2.3
7307	29528	1/2" through 2" Conduit Size Slug Splitter® SC Knockout Punch Kit	10.4	4.7
7308	00617	2-1/2" through 4" Conduit Size Slug Splitter® SC Knockout Punch Kit	17.1	7.8
7506	30385	1/2" through 2" Conduit Size Slug Splitter® SC Knockout Punch Kit with Hydraulic Ram and Hand Pump	32	14.5



7307 Punch Kit (driver not included)



744 Punch Kit (driver not included)

N = NEW PRODUCT

R = REPLACEMENT PART

A = ACCESSORY

B = BARE TOOL



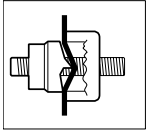
CAT. NO.	UPC NO.	DESCRIPTION	CONDUIT & PIPE SIZE	HOLE SIZE		CAPACITY		KIT CAT.				
				ACTUAL		STAINLESS STEEL		744	7307	7506	7308	
				Ø INCH	Ø MM	GA	MM					
28154	28154	1/2" Conduit Size Punch	1/2"	7/8	.885	22.5	10	3.5	✓	✓	✓	
28155	28155	1/2" Conduit Size Die								✓	✓	
28156	28156	3/4" Conduit Size Punch	3/4"	—	1.115	28.3	10	3.5	✓	✓	✓	
28157	28157	3/4" Conduit Size Die							✓	✓	✓	
36490	36490	1-7/32" Punch Oiltight	—	1-7/32	1.210	30.5	10	3.5		✓		
36489	36489	1-7/32" Die Oiltight								✓		
28158	28158	1" Conduit Size Punch	1"	1-11/32	1.362	34.6	10	3.5	✓	✓	✓	
28159	28159	1" Conduit Size Die							✓	✓	✓	
28160	28160	1-1/4" Conduit Size Punch	1-1/4"	1-11/16	1.701	43.2	10	3.5	✓	✓	✓	
28161	28161	1-1/4" Conduit Size Die							✓	✓	✓	
28162	28162	1-1/2" Conduit Size Punch	1-1/2"	1-15/16	1.951	49.6	10	3.5		✓	✓	
28163	28163	1-1/2" Conduit Size Die								✓	✓	
28165	28165	2" Conduit Size Punch	2"	2-3/8	2.416	61.5	10	3.5		✓	✓	
28166	28166	2" Conduit Size Die								✓	✓	
00622	00622	2-1/2" Conduit Size Punch	2-1/2"	2-7/8	2.914	74.0	10	3.5				✓
00626	00626	2-1/2" Conduit Size Die										✓
00623	00623	3" Conduit Size Punch	3"	3-1/2	3.539	89.9	10	3.5				✓
00627	00627	3" Conduit Size Die										✓
00624	00624	3-1/2" Conduit Size Punch	3-1/2"	4	4.044	102.7	10	3.5				✓
00629	00629	3-1/2" Conduit Size Die										✓
00625	00625	4" Conduit Size Punch	4"	4-1/2	4.544	115.4	10	3.5				✓
00630	00630	4" Conduit Size Die										✓
29451	29451	7/16" x 4-1/4" Draw Stud							✓	✓	✓	
746SS	30387	Ram (includes 1 each of the following 3 items)										
54167	54167	1/4" Female Coupler									✓	
54168	54168	Dust Plug										
29452	29452	3/4" x 5-1/2" Draw Stud							✓	✓	✓	✓
15908	15908	Spacer Group (includes 1 each of the following 3 items)									✓	
1924AA	03248	Spacer-Short									✓	
1925AA	03249	Spacer-Medium									✓	
1926AA	06904	Spacer-Long									✓	
1557SS	00785	Sleeve Adapter, SS										✓
767	13284	Hydraulic Hand Pump									✓	
38316	38316	High Pressure Hose Unit-1/4" x 3' (includes 1 each of the following 3 items)									✓	
54169	54169	1/4" Male Coupler									✓	
54170	54170	Dust Cap									✓	
06302	06302	High Pressure Hose-1/4" x 3'									✓	
29529	29529	Metal Case (7307)								✓		
19193	19193	Metal Case (744)							✓			
31068	31068	Metal Case (7506)									✓	

KNOCKOUTS FOR STAINLESS STEEL

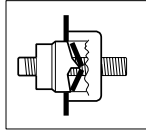
Slug Splitter® SC and Slug Splitter® Knockout Punches



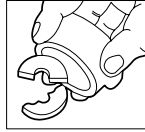
- Slug Splitter® SC heavy-duty punches are designed to punch up through 10 gauge (3.5 mm) stainless steel
- Unique slug-splitting design and tool steel construction easily punch 10 gauge (3.5 mm) mild steel and stainless steel
- Self-centering punch aligns itself on pilot hole (Slug Splitter® SC)
- No need to draw crosshairs or line up die alignment marks (Slug Splitter® SC)
- Unique punch profile also splits slugs for easier slug removal
- Heavy-duty dies and stainless steel draw studs for longer life
- Excellent abrasion resistance for punching fiberglass and plastic
- Slug Splitter® SC punch units consist of: punch, die and draw stud, check individual punch for specific capacity
- Patent Pending for Self-centering Slug Splitter® SC



Unique Slug Splitter® SC punch design creates slug as the punch is drawn into the die.



Slug is split in half as punching operation is completed.



Split slugs fall free from the die and stud.

SPECIFICATIONS

Capacity	Stainless steel up through 10 gauge (3.5 mm)
Application	10-gauge stainless steel, mild steel, fiberglass and plastic enclosures.
Hole Sizes	Conduit Sizes - hole size is outside diameter of US conduit sizes. Example: 1/2" conduit size actually makes a 7/8" hole. Pg Sizes - European standard pipe sizes. ISO Sizes - International Standards Organization pipe sizes.
Operation	Operate with battery, hydraulic or high leverage ratchet driver only.



746 Ram shown with 745M-1-1/2

Slug Splitter® SC and Slug Splitter® Knockout Punches

HOLE SIZE											
CAT. NO	UPC NO.	CONDUIT SIZE	ACTUAL			CAPACITY		PUNCH	DIE	DRAW STUD	SLEEVE
			Ø (INCH)	Ø (MM)	ISO	GA.	(MM)				
745M-16.2	12324		0.638	16.2	16	12	2.5	04599	04598	29451	-
-	-		0.732	18.6		12	2.5	31119	31128	29451	-
745M-20.4	12326		0.803	20.4	20	12	2.5	31120	31129	29451	-
745H-1/2 *	29560	1/2"	0.885	22.5		10	3.5	28154 *	28155	29451	-
745M-25.4	12317		1.000	25.4	25	10	3.5	04602	04601	29451	-
745H-3/4 *	12318	3/4"	1.115	28.3		10	3.5	28156 *	28157	29452	-
740H-1-7/32 *	29563		1.210	30.5		10	3.5	36490 *	36489	29452	-
745M-32.5	12327		1.280	32.5	32	10	3.5	04605	04603	29452	-
745H-1 *	12319	1"	1.362	34.6		10	3.5	28158 *	28159	29452	-
-	-		1.457	37.0		10	3.5	31122	31135	29452	-
745M-40.5	12329		1.595	40.5	40	10	3.5	04608	04607	29452	-
745H-1-1/4 *	12320	1-1/4"	1.701	43.2		10	3.5	28160 *	28161	29452	-
-	-		1.850	47.0		10	3.5	31123	31131	29452	-
745H-1-1/2 *	12321	1-1/2"	1.951	49.6		10	3.5	28162 *	28163	29452	-
745M-50.8	12331		2.000	50.8	50	10	3.5	04611	04609	29452	-
-	-		2.125	54.0		10	3.5	31124	31132	29452	-
-	-		2.362	60.0		10	3.5	31125	31133	29452	-
745H-2 *	12322	2"	2.416	61.5		10	3.5	28165 *	28166	29452	-
745M-64	12334		2.520	64.0	63	10	3.5	04614	04613	29452	-
745H-2-1/2	00618	2-1/2"	2.914	74.0		10	3.5	00622	00626	29452	-
745H-3	00619	3"	3.539	89.9		10	3.5	00623	00627	29452	-
745H-3-1/2	00620	3-1/2"	4.011	102.7		10	3.5	00624	00629	29452	1557SS
745H-4	00621	4"	4.544	115.4		10	3.5	00625	00630	29452	1557SS

*Self-Centering Punch Design

SLUG-BUSTER® HYDRAULIC KNOCKOUT KITS

Slug-Buster® Ram and Hand Pump Kits (Inch and Metric)

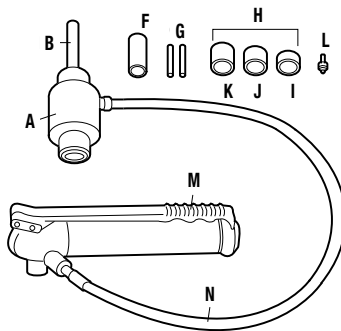


- Fast, easy and simple to operate
- Compact design for field use on construction sites and maintenance jobs
- Punches 10 times faster than wrench method
- Will also drive 751 Cable Cutter head
- Can be used with most standard round Slug-Buster® and Slug Splitter® SC punches (except 1/2", 9/16", 5/8")
- Can be used with non-round punches (adapter may be required)
- 3-foot hose
- Powerful 11-ton hydraulic ram

CAT NO.	UPC NO.	DESCRIPTION	WEIGHT	
			LBS	KG
7646	15906	Driver with Hand Pump, Draw Studs, Spacer and Plastic Case	20	9.1
7306SB	34360	Driver, Hand Pump, Slug-Buster® Punches, Dies and Draw Studs for 1/2" through 2" Conduit, Adapter, Spacers, Kwik Stepper® Step Bit and Plastic Case	24	10.9
7310SB	34361	Driver, Hand Pump, Slug-Buster® Punches, Dies and Draw Studs for 1/2" through 2" and 2-1/2" through 4" Standard Conduit Size Punches, Dies and Draw Studs, Adapter, Spacers, Kwik Stepper® Step Bit and Plastic Case	54	24.5
7646PG-SB	32799	Metric – Driver, Slug-Buster® Pg Punches, Dies and Draw Studs for 15.2 mm through 60.0 mm, Adapter, Spacers, Kwik Stepper® Step Bit and Plastic Case	24	10.9
38520	38520	Driver, Hand Pump, Slug-Buster® Punches and Draw Studs for 1/2" through 3" and 4" Conduit, Adapter, Spacers, Kwik Stepper® Step Bit and Plastic Case	48	21.8

See Accessories Usage Chart on page 240

RAM AND HAND PUMP HYDRAULIC DRIVER PARTS IDENTIFICATION



KEY	CAT. NO.	UPC NO.	DESCRIPTION
R	A	746	17091 Ram (includes Item B)
R	B	2113B	10109 Draw Stud-3/4" x 5 3/8"
R	F	1557AA	03170 Punch Sleeve
R	G	20963	20963 Draw Stud-3/8" x 4.8"
R	H	15908	15908 Spacer Group (includes Items I, J and K)
R	I	1924AA	03248 Spacer-Short
R	J	1925AA	03249 Spacer-Medium
R	K	1926AA	06904 Spacer-Long
R	L	34410	34410 Kwik Stepper® Step Bit 1/2"
R	M	767	13284 Hydraulic Hand Pump
R	N	06302	06302 High Pressure Hose-1/4" x 3'

Slug-Buster® Ram and Hand Pump Kits Parts List

CAT NO.	UPC NO.	DESCRIPTION	HOLE SIZE				KIT CAT./UPC NO.				
			CONDUIT & PIPE SIZE	ACTUAL		7646/15906	7306SB/34360	7310SB/34361	7646PGSB/32799	38520	
				Ø INCH	Ø MM						
721-1/2	31756	1/2" Conduit Size Slug-Buster® Punch					✓	✓	✓	✓	
14722	14722	1/2" Conduit Size Die	1/2"	7/8	0.885	22.5		✓	✓	✓	
721-3/4	31757	3/4" Conduit Size Slug-Buster® Punch					✓	✓		✓	
124AV	06972	3/4" Conduit Size Die	3/4"	1-1/8	1.115	28.3		✓	✓	✓	
721-1	31758	1" Conduit Size Slug-Buster® Punch					✓	✓		✓	
126AV	04011	1" Conduit Size Die	1"	1-3/8	1.362	34.6		✓	✓	✓	
721-1-1/4	31759	1-1/4" Conduit Size Slug-Buster® Punch					✓	✓		✓	
128AV	04013	1-1/4" Conduit Size Die	1-1/4"	1-11/16	1.701	43.2		✓	✓	✓	
721-1-1/2	31760	1-1/2" Conduit Size Slug-Buster® Punch					✓	✓		✓	
440AV	04061	1-1/2" Conduit Size Die	1-1/2"	1-15/16	1.951	49.6		✓	✓	✓	
721-2	31761	2" Conduit Size Slug-Buster® Punch					✓	✓		✓	
442AV	04063	2" Conduit Size Die	2"	2-3/8	2.416	61.5		✓	✓	✓	
1429AV	04175	2-1/2" Conduit Size Punch						✓		✓	
1430AV	04177	2-1/2" Conduit Size Die	2-1/2"	2-7/8	2.914	74.0		✓		✓	
1431AV	04180	3" Conduit Size Punch						✓		✓	
1432AV	04183	3" Conduit Size Die	3"	3-1/2	3.539	89.9		✓		✓	
2982AV	04653	3-1/2" Conduit Size Punch						✓			
2981AV	04652	3-1/2" Conduit Size Die	3-1/2"	4	4.044	102.7		✓			
2984AV	04655	4" Conduit Size Punch						✓		✓	
2983AV	04654	4" Conduit Size Die	4"	4-1/2	4.544	115.4		✓		✓	
31969	31969	Pg-9 Slug-Buster® Punch	—	—	0.598	15.2			✓		
32002	32002	Pg-9 Die	—	—					✓		
31970	31970	Pg-11 Slug-Buster® Punch	—	—	0.732	18.6			✓		
32003	32003	Pg-11 Die	—	—					✓		
31971	31971	Pg-13 Slug-Buster® Punch	—	—	0.803	20.4			✓		
32004	32004	Pg-13 Die	—	—					✓		
31973	31973	Pg-21 Slug-Buster® Punch							✓		
32006	32006	Pg-21 Die	3/4"		1.115	28.3			✓		
36284	36284	Slug-Buster® Punch	—						✓		
36279	36279	Die	—	1-7/32	1.210	30.5			✓		
31975	31975	Pg-29 Slug-Buster® Punch	—	—	1.457	37.0			✓		
32008	32008	Pg-29 Die	—	—					✓		
31976	31976	Pg-36 Slug-Buster® Punch	—	—	1.850	47.0			✓		
32009	32009	Pg-36 Die	—	—					✓		
31978	31978	Pg-48 Slug-Buster® Punch	—	—	2.362	60.0			✓		
32011	32011	Pg-48 Die	—	—					✓		
746	17091	Ram (includes following item)					✓	✓	✓	✓	
2113B	10109	Draw Stud-3/4" x 5 3/8"					✓	✓	✓	✓	
1557AA	03170	Punch Sleeve					✓	✓	✓	✓	
20963	20963	Draw stud-3/8" x 4.8"					✓	✓	✓	✓	
15908	15908	Spacer Group (includes 1 ea. of following 3 items)					✓	✓	✓	✓	
1924AA	03248	Spacer-Short					✓	✓	✓	✓	
1925AA	03249	Spacer-Medium					✓	✓	✓	✓	
1926AA	06904	Spacer-Long					✓	✓	✓	✓	
34410	34410	Kwik Stepper® Step Bit 1/2"					✓	✓	✓	✓	
767	13284	Hydraulic Hand Pump					✓	✓	✓	✓	
06302	06302	High Pressure Hose – 1/4" x 3'					✓	✓	✓		
30206	30206	Plastic Case					✓	✓	✓		
05387	05387	Plastic Case							✓	✓	

PUNCHES AND DIES

DRAW STUDS AND MISC.

Slug-Buster® Ram and Foot Pump Hydraulic Driver Kits



- Foot operation frees both hands to position punch
- Punches 10 times faster than wrench method
- Will also drive 751 Cable Cutter head
- Powerful 11-ton hydraulic ram
- Can be used with most standard round, Slug-Buster® and Slug Splitter® SC punch sizes (except 1/2", 9/16" 5/8")
- Can be used with non-round punches (adapter may be required)

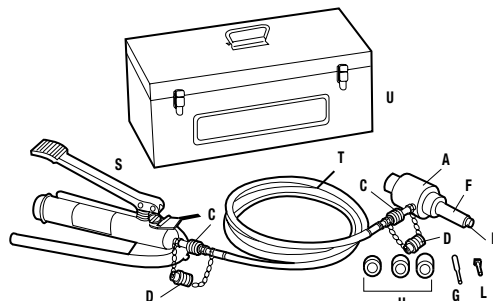
CAT NO.	UPC NO.	DESCRIPTION	WEIGHT	
			LBS	KG
7625	25097	Driver, Foot Pump, Steel Case	37	17
7606SB	07173	Driver, Foot Pump, Slug-Buster® Punches, Dies and Draw Studs for 1/2" through 2" Conduit, Steel Case	42	19
7610SB	07174	Driver, Foot Pump, Slug-Buster® Punches, Dies & Draw Studs for 1/2" through 2" Conduit, Slug-Buster® Punches and 2 1/2" through 4" Conduit Standard Round Punches	60	27

See Accessories Usage Chart on page 240

Ram and Foot Pump Kits Parts List

CAT NO.	UPC NO.	DESCRIPTION	HOLE SIZE				KIT CAT./UPC NO.		
			CONDUIT & PIPE SIZE	ACTUAL			7625/ 25097	7606SB/ 07173	7610SB/ 07174
				Ø INCH	Ø MM	Ø MM			
PUNCHES AND DIES	721-1/2	31756	1/2" Conduit Size Slug-Buster® Punch	1/2"	7/8	0.885	22.5	✓	✓
	14722	14722	1/2" Conduit Size Die					✓	✓
	721-3/4	31757	3/4" Conduit Size Slug-Buster® Punch	3/4"	1-1/8	1.115	28.3	✓	✓
	124AV	06972	3/4" Conduit Size Die					✓	✓
	721-1	31758	1" Conduit Size Slug-Buster® Punch	1"	1-3/8	1.362	34.6	✓	✓
	126AV	04011	1" Conduit Size Die					✓	✓
	721-1-1/4	31759	1-1/4" Conduit Size Slug-Buster® Punch	1-1/4"	1-11/16	1.701	43.2	✓	✓
	128AV	04013	1-1/4" Conduit Size Die					✓	✓
	721-1-1/2	31760	1-1/2" Conduit Size Slug-Buster® Punch	1-1/2"	1-15/16	1.951	49.6	✓	✓
	440AV	04061	1-1/2" Conduit Size Die					✓	✓
	721-2	31761	2" Conduit Size Slug-Buster® Punch	2"	2-3/8	2.416	61.5	✓	✓
	442AV	04063	2" Conduit Size Die					✓	✓
	1429AV	04175	2-1/2" Conduit Size Punch	2-1/2"	2-7/8	2.914	74.0	✓	✓
	1430AV	04177	2-1/2" Conduit Size Die					✓	✓
	1431AV	04180	3" Conduit Size Punch	3"	3-1/2	3.539	89.9	✓	✓
	1432AV	04183	3" Conduit Size Die					✓	✓
	2982AV	04653	3-1/2" Conduit Size Punch	3-1/2"	4	4.044	102.7	✓	✓
	2981AV	04652	3-1/2" Conduit Size Die					✓	✓
	2984AV	04655	4" Conduit Size Punch	4"	4-1/2	4.544	115.4	✓	✓
	2983AV	04654	4" Conduit Size Die					✓	✓
746	17091	(A) Ram (includes 1 ea. of items B, C, and D)					✓	✓	✓
2113B	10109	(B) Draw Stud-3/4" x 5 3/8"					✓	✓	✓
54167	54167	(C) Female Coupler-1/4"					✓	✓	✓
54168	54168	(D) Dust Plug					✓	✓	✓
1557AA	03170	(F) Punch Sleeve					✓	✓	✓
20963	20963	(G) Draw stud-3/8" x 4.8"					✓	✓	✓
15908	15908	(H) Spacer Group (includes 1 ea. of items I, J, and K)					✓	✓	✓
1924AA	03248	(I) Spacer-Short					✓	✓	✓
1925AA	03249	(J) Spacer-Medium					✓	✓	✓
1926AA	06904	(K) Spacer-Long					✓	✓	✓
34410	34410	(L) Kwik Stepper® Step Bit 1/2"					✓	✓	✓
1725	31353	(S) Hydraulic Foot Pump (includes 1 ea. - 54167 female coupler and 54168 dust plug)					✓	✓	✓
37729	37729	(T) High Pressure Hose Unit - 1/4" x 10'; filled with hydraulic oil; (includes the following 2 items)					✓	✓	✓
54169	54169	Couplers					2	2	2
54170	54170	Dust Caps					2	2	2
23955	23955	(U) Steel case					✓	✓	✓
25094	25094	Tray					✓	✓	✓

RAM AND FOOT PUMP HYDRAULIC DRIVER PARTS IDENTIFICATION
(Match letters above to drawing.)



Quick Draw® Hydraulic Punch Driver and Kits

7706SB
Flex Driver Kit



7806SB
Quick Draw® Kit




7906SB
Quick Draw 90° Kit



The Quick Draw®, Quick Draw 90®, and Quick Draw® Flex feature:

- Compact, lightweight design for portability and fast, easy one-person operation
- Develops 8 tons of hydraulic force for easy punching, even in 10-gauge stainless steel, depending on individual punch capacities
- Quick Draw® hydraulic punch driver is perfect for fast, straight-on front panel punching
- Quick Draw 90° hydraulic punch driver's right angle driver head rotates over 180 degrees for maximum flexibility in tight working areas
- Quick Draw® Flex allows unlimited driver orientation to simplify access to work area
- Can be used with non-round punches within the capacity of the tool (adapter may be required)
- U.S. Patent #6,772,521
- Knockouts Made in the USA



CAT. NO.	UPC NO.	DESCRIPTION
7704SB	10475	Quick Draw® Flex Driver, 2 Draw Studs, 1 Adapter, 1 Spacer and Case
7706SB	10476	Standard – Quick Draw® Flex Driver, 1/2" through 2" Slug-Buster® Conduit Size Punches and Dies, 2 Draw Studs, 1 Adapter, 1 Spacer and Case
7804SB	34292	Quick Draw® Driver, 2 Draw Studs, 1 Adapter, 1 Spacer and Case
7806SB	34293	Standard – Quick Draw® Driver, 1/2" through 2" Slug-Buster® Conduit Size Punches and Dies 2 Draw Studs, 1 Adapter, 1 Spacer and Case
7804E	34291	Metric – Quick Draw® Driver, 2 Draw Studs, 1 Adapter, 1 Spacer and Case
7804ESB	35611	Metric – Quick Draw® Driver, Slug-Buster® Pg Punches and Dies 15.2 mm through 30.5 mm, 2 Draw Studs, 1 Adapter, 1 Spacer and Case
7804ISO	35614	Metric – Quick Draw® Driver, Slug-Buster® ISO Punches and Dies 16.2 mm through 40.5 mm, 2 Draw Studs, 1 Adapter, 1 Spacer and Case
7904SB	33794	Quick Draw 90° Driver, 2 Draw Studs, 1 Adapter, 1 Spacer and Case
7906SB	34300	Quick Draw 90° Driver, 1/2" through 2" Slug-Buster® Conduit Size Punches and Dies, Draw Studs, 1 Adapter, 1 Spacer and Case
7904E	34299	Metric – Quick Draw 90° Driver, 2 Draw Studs, 1 Adapter, 1 Spacer and Case
7904ESB	35615	Metric – Quick Draw 90° Driver, Slug-Buster® Pg Punches and Dies 15.2 mm through 30.5 mm, 2 Draw Studs, 1 Adapter, 1 Spacer and Case
7904ISO	35616	Metric – Quick Draw 90° Driver, Slug-Buster® ISO Punches and Dies 16.2 mm through 40.5 mm, 2 Draw Studs, 1 Adapter, 1 Spacer and Case
 34983	34983	Plastic Case

See Accessories Usage Chart on page 234

Parts List for Quick Draw®, Quick Draw 90® and Quick Draw® Flex Kits

CAT NO.	UPC NO.	DESCRIPTION	HOLE SIZE				KIT CAT./UPC NO.										
			CONDUIT & PIPE SIZE	ACTUAL		7704SB/10475	7706SB/10476	7804E/34291	7804ESB/35611	7804ISO/35614	7804SB/34292	7806SB/34293	7904E/34299	7904ESB/35615	7904ISO/35616	7904SB/33794	7906SB/34300
				Ø INCH	Ø MM												
721-1/2	31756	1/2" Conduit Size Slug-Buster® Punch	1/2"	7/8	0.885	22.5		✓		✓		✓		✓		✓	
14722	14722	1/2" Conduit Size Die						✓			✓		✓			✓	
721-3/4	31757	3/4" Conduit Size Slug-Buster® Punch	3/4"	—	1.115	28.3		✓			✓					✓	
124AV	06972	3/4" Conduit Size Die						✓			✓					✓	
721-1	31758	1" Conduit Size Slug-Buster® Punch	1"	—	1.362	34.6		✓			✓					✓	
126AV	04011	1" Conduit Size Die						✓			✓					✓	
721-1-1/4	31759	1-1/4" Conduit Size Slug-Buster® Punch	1-1/4"	1-11/16	1.701	43.2		✓			✓					✓	
128AV	04013	1-1/4" Conduit Size Die						✓			✓					✓	
721-1-1/2	31760	1-1/2" Conduit Size Slug-Buster® Punch	1-1/2"	1-15/16	1.951	49.6		✓			✓					✓	
440AV	04061	1-1/2" Conduit Size Die						✓			✓					✓	
721-2	31761	2" Conduit Size Slug-Buster® Punch	2"	2-3/8	2.416	61.5		✓			✓					✓	
442AV	04063	2" Conduit Size Die						✓			✓					✓	
31969	31969	Pg-9 Slug-Buster® Punch	—	—	0.598	15.2										✓	
32002	32002	Pg-9 Die														✓	
31970	31970	Pg-11 Slug-Buster® Punch	—	—	0.732	18.6										✓	
32003	32003	Pg-11 Die														✓	
31971	31971	Pg-13 Slug-Buster® Punch	—	—	0.803	20.4										✓	
32004	32004	Pg-13 Die														✓	
31973	31973	Pg-21 Slug-Buster® Punch	3/4"	—	1.115	28.3										✓	
32006	32006	Pg-21 Die														✓	
36284	36284	30.5 mm Slug-Buster® Punch	—	1-7/32	1.210	30.5										✓	
36279	36279	30.5 mm Die														✓	
35163	35163	ISO-16 Slug-Buster® Punch	—	—	0.638	16.2										✓	
35162	35162	ISO-16 Die														✓	
35165	35165	ISO-25 Slug-Buster® Punch	—	1	1.000	25.4										✓	
35164	35164	ISO-25 Die														✓	
35169	35169	ISO-32 Slug-Buster® Punch	—	—	1.280	32.5										✓	
35168	35168	ISO-32 Die														✓	
35158	35158	ISO-40 Slug-Buster® Punch	—	—	1.595	40.5										✓	
35159	35159	ISO-40 Die														✓	
34288	34288	Quick Draw® Hydraulic Punch Driver															
33786	33786	Quick Draw 90® Hydraulic Punch Driver															
10383	10383	Quick Draw® Flex Driver															
1614SS	30043	Draw Stud - 3/8" x 2-13/16"															
31872	31872	Draw Stud - 3/4" x 4-1/8"															
1924AA	03248	Spacer - Short															
33967	33967	Stud Adapter - 3/8"															
35202	35202	Plastic Case															
34983	34983	Plastic Case															
10391	10391	Plastic Case															

KNOCKOUT ACCESSORIES USAGE

Standard Threaded Punches

			LS100				746 RAM				LS50 / QUICK DRAW							
SIZE	PUNCH	DIE	CAPACITY	DRAW STUD	SPACER	SLEEVE	CAPACITY	DRAW STUD	SPACER	SLEEVE	CAPACITY	DRAW STUD	SPACER	SLEEVE				
MILD STEEL	1/2"	1/2"	14722P	10 GA	20963	1924AA	10 GA	20963	1924AA	—	10 GA	7212SP24	1924AA	33967				
	3/4"	3/4"	124AVP		2113B	—		—				2113B		—	—	—	31872	—
	1-7/32"	1-7/32"	36278															
	1"	1"	126AVP															
	1-1/4"	1-1/4"	128AVP															
	1-1/2"	1-1/2"	440AVP															
	2"	2"	442AVP															
	2-1/2"	2-1/2"	1430AV															
	3"	3"	1432AV															
	3-1/2"	3-1/2"	2981AV															
4"	4"	2983AV	1557AA	1557AA	NOT RATED													
STAINLESS STEEL	1/2"	28154	28155	10 GA	29451	—	10 GA	29451	1924AA	—	10 GA	29451	1924AA	—				
	3/4"	28156	28157		29452	—		29452				29452		—	—	—	—	
	1-7/32"	36490	36489															
	1"	28158	28159															
	1-1/4"	28160	28161															
	1-1/2"	28162	28163															
	2"	28165	28166															
	2-1/2"	00622	00626															
	3"	00623	00627															
	3-1/2"	00624	00629															
4"	00625	00630	12 GA	1557SS	1557SS	NOT RATED												

SPEED PUNCH® Punches

				LS100			746 RAM			LS50 / QUICK DRAW			
SIZE	PUNCH	DIE	SPEED LOCK	CAPACITY	DRAW STUD	SLEEVE	CAPACITY	DRAW STUD	SLEEVE	CAPACITY	DRAW STUD		
MILD STEEL	1/2"	7212SP-1/2P	7212SP-1/2D	SP-LOCK	10 GA	7212SP-1/2D	10 GA	7212SP13	—	10 GA	7212SP14		
	3/4"	7212SP-3/4P	7212SP-3/4D			7212SP12		7212SP12			7212SP12	—	7212SP11
	1-7/32"	7212SP-1-7/32P	7212SP-1-7/32D										
	1"	7212SP-1P	7212SP-1D										
	1-1/4"	7212SP-1-1/4P	7212SP-1-1/4D										
	1-1/2"	7212SP-1-1/2P	7212SP-1-1/2D										
	2"	7212SP-2P	7212SP-2D										
	2-1/2"	7212SP-2-1/2P	7212SP-2-1/2D										
	3"	7212SP-3P	7212SP-3D										
	3-1/2"	7212SP-3-1/2P	7212SP-3-1/2D										
4"	7212SP-4P	7212SP-4D	7212AA2	7212AA1	NOT RATED								
STAINLESS STEEL	1/2"	745SP-1/2P	745SP-1/2D	SP-LOCK	10 GA	7217SP22	10 GA	7212SP21	—	10 GA	7212SP14		
	3/4"	745SP-3/4P	745SP-3/4D			7212SP21		7212SP21			7212SP21	—	7212SP23
	1-7/32"	745SP-1-7/32P	745SP-1-7/32D										
	1"	745SP-1P	745SP-1D										
	1-1/4"	745SP-1-1/4P	745SP-1-1/4D										
	1-1/2"	745SP-1/2P	745SP-1/2D										
	2"	745SP-2P	745SP-2D										

STUD PUNCHES

ESP710L Stud Punch



ESP710L11

- This tool punches 1-11/32" (34.1 mm) diameter holes in 16 and 18 gauge structural studs
- Has the ability to punch holes in under 5 seconds
- The ESP710L can take both time and hard work out of the stud punching process
- 4" Throat Depth from center of punch

CAT. NO.	UPC NO.	DESCRIPTION
ESP710L11	52165	Punch, Stud Bat 120V Charger

BATTERY-POWERED STUD PUNCH

CAT. NO.	UPC NO.	ACTUAL HOLE SIZE		WEIGHT		LENGTH		HEIGHT		CAPACITY		BATTERY	CHARGER
		IN.	MM	LBS.	KG	IN.	MM	IN.	MM	GA	MM		
ESP710L11	52165	1-11/32	34.1	9.2	4.2	15	381	11-3/4	298	16	1.5	3.0Ah 18V, Li-Ion	120 Volt

Metal Stud Punches



709

- Punch up through 20 gauge (0.9 mm) steel studs in one stroke
- Aluminum head provides strength with minimum weight, and reducing operator fatigue
- Contoured handle design gives better operator leverage and makes it possible to punch in tight places
- Self-stripping design eliminates punch hang-ups
- Automatically centers holes on standard studs
- Conversion kit available to upgrade early models from 24 gauge to 20 gauge maximum capacity

CAT. NO.	UPC NO.	DESCRIPTION	WEIGHT	
			LBS.	KG
709	22280	7/8" (22.2 mm) Diameter Stud Punch	7	3.2
710	21285	1-11/32" (34.1 mm) Diameter Stud Punch	7.5	3.5
30968	30968	Conversion Kit – Upgrades Early Model 709 or 710 from 24 to 20 Gauge Maximum Capacity		
R 121AV	04006	Punch for 709		
R 22286	22286	Die for 709		
R 24823	24823	Punch for 710		
R 21297	21297	Die for 710		
06015	06015	Pin Kit		
36617	36617	Link		
05932	05932	Link and Pin Kit (709/710)		
21557	21557	Compression Spring		

SPECIFICATIONS

Capacity 709 - 1-5/8" (41.3 mm) and wider studs.
20 gauge (0.9 mm) steel studs.
710 - 2-1/2" (63.4 mm) and wider studs.
20 gauge (0.9 mm) steel studs.

Bushings for Metal Stud Punches



712A1000



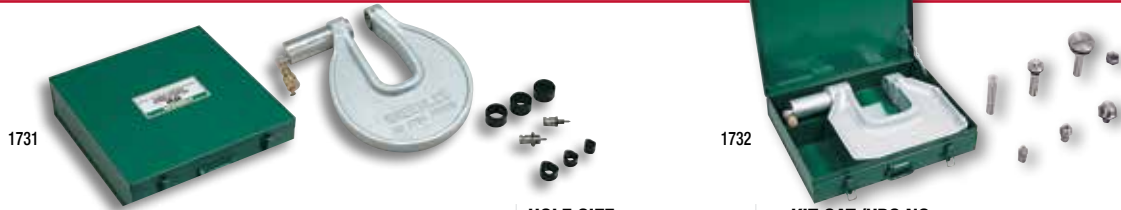
711C

- Triple lock design holds bushing securely
- Locks securely into metal studs from 24 gauge to 12 gauge (0.6 mm to 2.5 mm)
- Helps protect wire insulation from sharp edges of metal studs
- Makes pulling smooth and easy by preventing hang-ups of cable on raw metal edges

CAT. NO.	UPC NO.	DESCRIPTION	WEIGHT	
			LBS.	KG
711C	22288	100 Bushings for Hole Punched by 709 for 7/8" (22.2 mm) Diameter Hole	.5	.23
711M	22289	1,000 Bushings for Hole Punched by 709 for 7/8" (22.2 mm) Diameter Hole	3.7	1.7
712A100	05927	100 Bushings for Pre-Punched Hole or 1-11/32" (34.1 mm) Diameter Hole Punched by 710	1.4	.64
712A1000	05928	1,000 Bushings for Pre-Punched Hole or 1-11/32" (34.1 mm) Diameter Hole Punched by 710	15.5	7.0

C-FRAME PUNCHES

1731 & 1732 Portable C-Frame Punch Drivers



CAT. NO.	UPC NO.	DESCRIPTION	HOLE SIZE			KIT CAT./UPC NO.		
			IN	MM	PG	1731/ 15911	1731H767/ 20486	1732/ 27361
		C-Frame with Ram				✓	✓	✓
13266	13266	Punch Adapter - 3/8" Ø x 1/2" (9.5 mm)						✓
13267	13267	Punch Adapter - 3/4" Ø x 1" (19.0 mm)						✓
13276	13276	Punch Adapter - 3/8" Ø x 1/2" (9.5 mm)				✓	✓	
13277	13277	Punch Adapter - 3/4" Ø x 1" (19.0 mm)				✓	✓	
13268	13268	Punch Adapter - 1-1/8" Ø (28.6 mm)						✓
121AV	04006	1/2" Conduit Size Punch	1/2	16	22.5	✓	✓	
123AV	04008	3/4" Conduit Size Die	3/4	21	28.3	✓	✓	
125AV	04010	1" Conduit Size Punch	1	—	34.6	✓	✓	
12087	12087	C-Frame 1/2" Conduit Size Die	1/2	16	22.5	✓	✓	
12086	12086	C-Frame 3/4" Conduit Size Die	3/4	21	28.3	✓	✓	
12085	12085	C-Frame 1" Conduit Size Die	1	—	34.6	✓	✓	
1725	1725	1725 Hydraulic Foot Pump						
16634	16634	Steel Case				✓	✓	
38316	38316	High Pressure Hose Unit - 1/4" x 3' (includes 1 each of the following 3 items)						
54169	54169	1/4" Male Coupler						
54170	54170	Dust Cap						
06302	06302	High Pressure Hose 1/4" x 3'						
11797	11797	Die Adapter - 3/8" Ø (9.5 mm)						✓
11790	11790	Die Adapter - 3/4" Ø (19.0 mm)						✓
11789	11789	Die Adapter - 1-1/8" Ø (28.6 mm)						✓
767	767	Hydraulic Hand Pump					✓	
755	755	Hydraulic Hand Pump						
37729	37729	Hydraulic Hose - 1/4" x 10' (3 m)						
11289	11289	Hydraulic Hose - 3/8" x 6' (9.5 mm x 1.8)						
27335	27335	Metal Case						✓
50642	50642	Nut - 3/4" - 10 (19.0 mm)						✓
12079	12079	Frame						
15631	15631	Ram						
37614	37614	Quick Disconnect						
11903	11903	C-Frame						
13814	13814	Packing Kit						

- Fast, one-shot punching, no predrilling of pilot holes
- Throat measures 8" (203 mm) deep

1731

- Great for punching junction boxes and small enclosures
- Punch can be used with ram inside or outside of the junction box
- For use with 1/2" – 1" (22.5 mm – 34.6 mm) conduit size and accessory sizes only

1732

- Use with 1/2" through 4" conduit size and other round sizes only
- Use with Greenlee standard round punches and dies (optional)

SPECIFICATIONS

Capacity 1731: Up through 10 gauge (3.0 mm) mild steel with Greenlee special C-Frame dies and standard punches; 1/2" through 1" conduit and 15.2 mm through 30.5 mm
 1732: Up through 10 gauge (3.0 mm) mild steel with Greenlee Standard punches and dies; 1/2" through 4" conduit and 15.2 mm through 115.4 mm.

CAT NO.	UPC NO.	DESCRIPTION	WEIGHT	
			LBS	KG
1731	15911	Driver with Ram, 1/2" Through 1" Conduit (22.5 mm through 34.6 mm) Punches and Dies	32	15
1732	27361	Driver with Ram, 3/8", 3/4" and 1-1/8" Punch and Die Adapters	59	27
1731H767	20486	Same as 1731 with 767 Hydraulic Hand Pump	36	17
21316	21316	Pg-9 (15.2 mm) Punch (optional)		
18557	18557	Pg-9 (15.2 mm) Die (optional)		
17700	17700	Pg-11 (18.6 mm) Punch (optional)		
18558	18558	Pg-11 (18.6 mm) Die (optional)		
17697	17697	Pg-13 (20.4 mm) Punch (optional)		
18559	18559	Pg-13 (20.4 mm) Die (optional)		
36282	36282	1-7/32" (30.5 mm) Oil Tight Punch (optional)		
37103	37103	1-7/32" (30.5 mm) Oil Tight Die (optional)		

NOTES

STORAGE Chests



2460



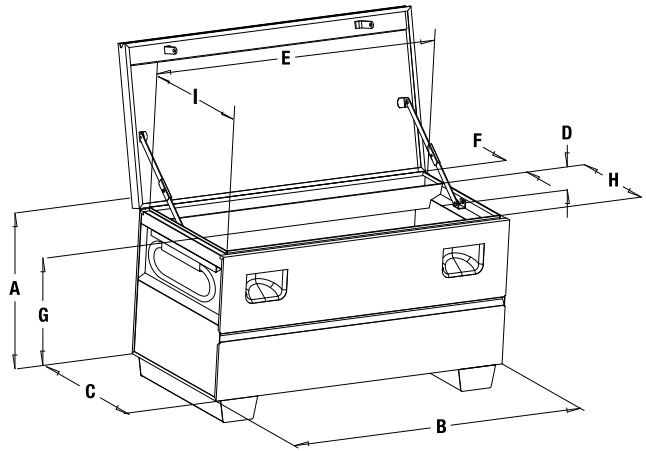
Optional casters available for increased mobility. See page 251 for options

DIMENSIONS

	A	B	C	D	E	F	G	H	I
1332	14"	32"	19"	—	29.5"	—	—	—	16.75"
1636	17"	36"	19"	—	33.5"	—	—	—	16.75"
2142	20"	42"	20"	—	39.5"	—	—	—	17.75"
2448	25"	48"	24"	4"	45.5"	4"	19"	15.5"	21.75"
2448X	25"	48"	24"	—	45.5"	—	—	15.5"	21.75"
2460	25"	60"	24"	4"	57.5"	4"	19"	15.5"	21.75"
2460X	25"	60"	24"	—	57.5"	—	—	15.5"	21.75"
3048	30"	48"	30"	4"	45.5"	4"	24"	21.5"	27.75"
3048X	30"	48"	30"	—	45.5"	—	—	21.5"	27.75"
2472	25"	72"	24"	4"	69.5"	4"	19"	15.5"	21.75"
2472X	25"	72"	24"	—	69.5"	—	—	15.5"	21.75"

- Recessed and concealed lock protectors for maximum security against drilling and cutting lock (Model 1332 and 1636 one lock protector only)
- Finger-groove lid handle for easy opening
- Convenient storage tray on back wall for small items (Models 2448, 2460, 2472, 3048)
- "X" models do not include rear tray for larger opening
- Heavy-duty piano hinges with non-removable pin
- Patented, ergonomically designed fold-down recessed handles
- Angled 3-1/2" high support skids feature threaded holes for easy caster installation
- Recommend #1 and #5 Master Lock® padlocks or equivalent
- Made in the USA

SPECIFICATIONS	1332	1636	2142	2448	2460	3048	2472
Capacity FT ³	4.9	6.7	9.7	16.6	20.8	25	25
Weight	78 lbs. (35 kg)	101 lbs. (46 kg)	124 lbs. (56 kg)	159 lbs. (72 kg)	184 lbs. (83 kg)	200 lbs. (91 kg)	214 lbs. (97 kg)



CAT. NO.	UPC NO.	DESCRIPTION
1332	38717	Storage Chest without tray
1636	38718	Storage Chest without tray
2142	31651	Storage Chest without tray
2448	23273	Storage Chest
2448X	00852	Storage Chest without tray
2460	23363	Storage Chest
2460X	00858	Storage Chest without tray
3048	23362	Storage Chest
3048X	00859	Storage Chest without tray
2472	07483	Storage Chest
2472X	00853	Storage Chest without tray

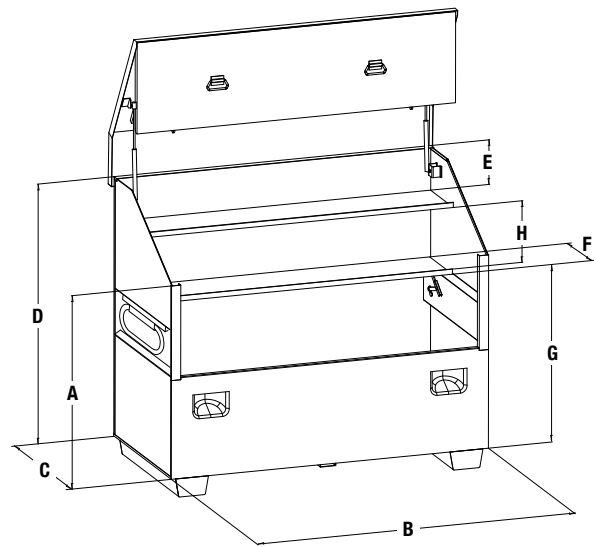
Master Lock® is a registered trademark of Master Lock Company

Slant-Top Boxes



- Large capacity storage with traditional slant-top design
- Recessed and concealed lock protectors provide maximum security against drilling and cutting locks
- Channel reinforcements on lid, lock side panels into lid for added security when closed
- Hinged lower shelf enables storage of larger items
- Angled 3-1/2" high support skids feature threaded holes for easy caster installation
- Angled handle recess prevents pinch points
- Features two reinforced steel shelves with large lip to prevent items from rolling off (Model 2260, one shelf only)
- Model 2260 comes with lid support to form waist-high, flat work area
- Patented, ergonomically designed fold-down recessed handles
- Recommend #1 and #5 Master Lock® padlocks or equivalent
- Made in the USA

SPECIFICATIONS	2260	3648	3660
Capacity FT ³	32	34	44
Weight	273 lbs. (124 kg)	270 lbs. (123 kg)	314 lbs. (142 kg)



DIMENSIONS

	A	B	C	D	E	F	G	H
2260	32"	22"	32"	36"	12"	12"	21"	—
3648	34"	36"	30"	48"	5"	12"	27"	11"
3660	44"	36"	30"	48"	5"	12"	27"	11"



Hinged Lower Shelf



Optional casters available for increased mobility. See page 251 for options

CAT. NO.	UPC NO.	DESCRIPTION
2260	23270	Slant-top box
3648	23276	Slant-top box
3660	23196	Slant-top box

Master Lock® is a registered trademark of Master Lock Company

Flat-Top Boxes



4872



Hinged Lower Shelf

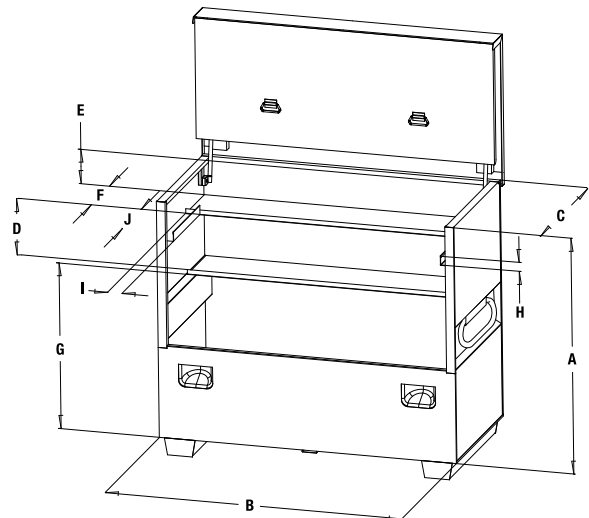


Optional casters available for increased mobility.
See page 251 for options

- Flat-top design provides more storage capacity for tall, bulky items, plus a large work surface for jobsite plans
- Recessed and concealed lock protectors for maximum security against drilling and cutting lock
- Channel reinforcements on lid, lock side panels into lid for added security when closed
- Hinged lower shelf allows for easy storage of larger objects (except Model 3360)
- Side-wall storage (except Model 3360)
- Double hinge cover folds up and out of the way
- Angled 3-1/2" high support skids feature threaded holes for easy caster installation
- Patented, ergonomically designed fold-down recessed handles
- Recommend #1 and #5 Master Lock® padlocks or equivalent
- Made in the USA

Master Lock® is a registered trademark of Master Lock Company

SPECIFICATIONS	3360	4848	4860	4872
Capacity FT ³	34.5	40	50	60
Weight	256 lbs. (116 kg)	283 lbs. (128 kg)	358 lbs. (162 kg)	373 lbs. (169 kg)

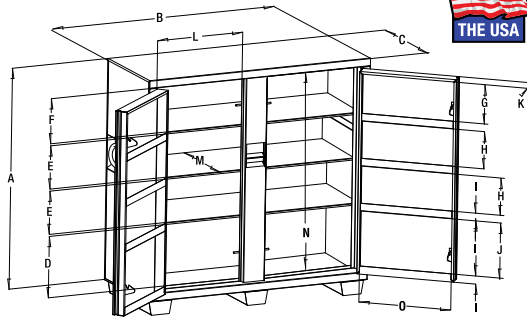


DIMENSIONS

	A	B	C	D	E	F	G	H	I	J
3360	33"	60"	30"	—	12.5"	12"	20"	—	—	—
4848	48"	48"	30"	11"	7"	12"	27"	2"	3"	17"
4860	48"	60"	30"	11"	7"	12"	27"	2"	3"	17"
4872	48"	72"	30"	11"	7"	12"	27"	2"	3"	17"

CAT. NO.	UPC NO.	DESCRIPTION
3360	38719	Flat-Top box
4848	35043	Flat-Top box
4860	35057	Flat-Top box
4872	07487	Flat-Top box

Utility Cabinets



- Recessed and concealed lock protectors for maximum security against drilling and cutting lock
- Flush-mounted doors
- Finger-groove door handles
- Front-door storage
- Large, lower storage areas for bigger items
- Angled 3-1/2" high support skids feature threaded holes for easy caster installation
- Three 3-1/2" high support skids
- Weather-resistant design
- Open storage for shovels, picks, brooms and other long-handled tools (Model 5660LH only)
- Patented, ergonomically designed fold-down recessed handles
- Recommend #1 and #5 Master Lock® padlocks or equivalent
- Made in the USA

SPECIFICATIONS	5660L	5660LH	5760TD
Capacity FT ³	46	46	59.3
Weight	389 lbs. (176 kg)	375 lbs. (170 kg)	441 lbs. (200 kg)

CAT. NO.	UPC NO.	DESCRIPTION
5660L	38659	Utility cabinet
5660LH	07486	Utility cabinet
5760TD	07969	Utility cabinet

DIMENSIONS

	A	B	C	D	E	F	G	H	I	J	K	L	M	N	O
5660L	56"	60"	24"	15"	10.5"	11.5"	10"	10"	2"	14"	3"	23.5"	20.5"	50.5"	24"
5660LH	56"	60"	24"	15"	10.5"	11.5"	10"	10"	2"	14"	3"	23.5"	20.5"	50.5"	24"
5760TD	56"	60"	30"	15"	10.5"	11.5"	10"	10"	2"	14"	3"	23.5"	26.5"	50.5"	24"

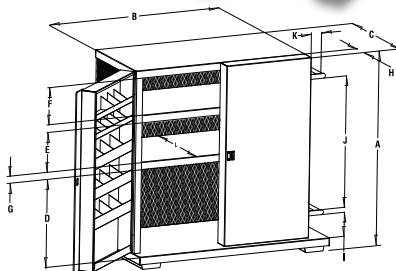


Optional casters available for increased mobility. See page 251 for options

Mesh Cabinet



5060MESH



- High-visibility mesh screen on three (3) sides
- Forty-eight (48) smaller, individual compartments, enabling storage of smaller tools and accessories
- Platform for long-handle tools
- Sturdy handle for mobility
- Supplied with two (2) swivel casters and two (2) rigid 4" (102 mm) casters for easy mobility (Model 696)
- Recommend #1 and #5 Master Lock® padlocks or equivalent
- Made in the USA

SPECIFICATIONS

Capacity FT ³	37.3
Weight	401 lbs. (182 kg)

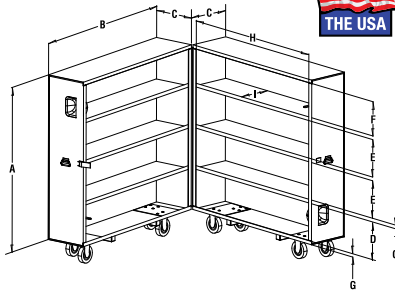
CAT. NO.	UPC NO.	DESCRIPTION
5060MESH	04460	Mesh cabinet

DIMENSIONS

A	B	C	D	E	F	G	H	I	J	K	L
52"	48"	28"	22"	10.5"	10"	2"	4"	5"	35"	5.5"	23"

Master Lock® is a registered trademark of Master Lock Company

Bi-Fold Cabinet



- Maximum storage capacity with minimum floor space requirements
- Four (4) individual 15" D x 14-1/2" H x 59" W (381 x 368 x 1524 mm) storage compartments on each side
- Reinforced steel shelves welded in place for added strength and durability
- All shelves feature large front lip to keep small items from rolling off
- Each bi-fold section is mounted on four casters for easy opening and closing
- Six (6) swivel and two (2) rigid 6" (152 mm) casters included for easy mobility (Models 503 and 603)
- Recommend #1 and #5 Master Lock® padlocks or equivalent
- Made in the USA

SPECIFICATIONS

Capacity FT ³	60.4
Weight	549 lbs. (249 kg)

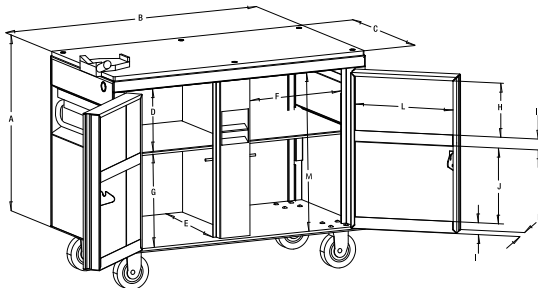
DIMENSIONS

A	B	C	D	E	F	G	H	I
58"	60"	15"	13"	13"	12"	1"	57"	14.5"

CAT. NO.	UPC NO.	DESCRIPTION
5860	35068	Bi-fold cabinet
04339	04339	Latch Repair Kit (5860)
54997	54997	Latch (5860)
54998	54998	Strike (5860)

Master Lock® is a registered trademark of Master Lock Company

Mobile Workbench



- Tough composition board work surface on top with built-in chain vise and telescoping wrench stop
- Removable self-stored shelf enables storage of larger items
- Supplied with two (2) locking swivel casters and two (2) rigid 6" (152 mm) casters for easy mobility (Model 703)
- Recessed and concealed lock protectors for maximum security against drilling and cutting lock
- Finger-groove door handles
- Large lower storage areas for bigger items
- Continuous, non-removable hinge pins to prevent theft
- Patented, ergonomically designed fold-down recessed handles
- Recommend #1 and #5 Master Lock® padlocks or equivalent
- Includes heavy-duty chain vise (3548 only)
- Made in the USA

Master Lock® is a registered trademark of Master Lock Company

SPECIFICATIONS

Capacity FT ³	20
Weight	293 lbs. (133 kg)

DIMENSIONS

A	B	C	D	E	F	G	H	I	J	K	L	M
30"	48"	24"	11"	20.5"	17.5"	15"	9.5"	2"	13"	3"	17"	27"

CAT. NO.	UPC NO.	DESCRIPTION
3548	31229	Mobile workbench
3548x	01513	Mobile workbench - no vise

Field Office



8060-DLX

- Slanted work surface with lockable, concealed storage area
- Concealed lock protectors protect locks from drilling and cutting
- Weather stripping on doors to help protect documents and tools from the elements
- Lid with heavy-duty gas spring and a locking arm for ease of opening and safety
- Shelving throughout, for organizing and storing jobsite tools and supplies
- Grooved front doors for ease of opening and storage compartment access
- Patented, ergonomically designed fold-down recessed handles
- Continuous, non-removable pin hinges
- Overlapping corners, rolled edges, and strategically placed reinforcements for added strength
- Recommend #1 and #5 Master Lock® padlocks or equivalent
- Welded 16-gauge steel construction for durability
- Transportable with forklift
- Optional casters available for increased mobility
- Made in the USA

SPECIFICATIONS

Capacity FT³ 60.4
Weight 549 lbs. (249 kg)

Master Lock® is a registered trademark of Master Lock Company



Tamper-proof lock protectors (for upper and lower doors).

Slanted work surface with lockable, concealed storage area.

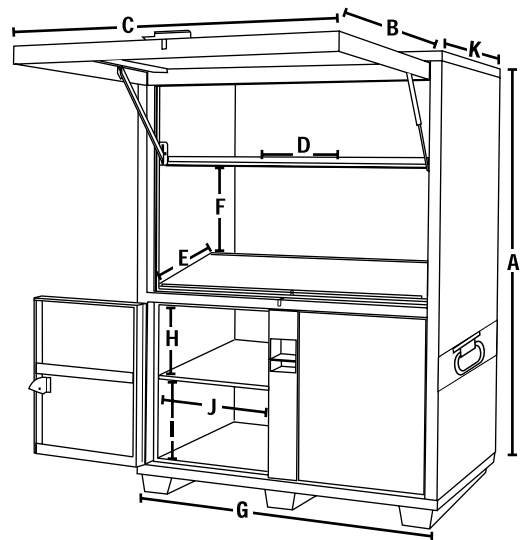
Door grooves provide a gripping surface for convenient opening.

Top door opens with a gas spring and is supported by a locking arm.

(Tools sold separately)



Optional casters available for increased mobility. See page 251 for options



DIMENSIONS

A	B	C	D	E	F	G	H	I	J	K
80"	41.6"	55.6"	20.6"	26.8"	19.2"	60"	14"	15.5"	24"	42"

CAT. NO.	UPC NO.	DESCRIPTION
8060-DLX	04719	Field Office

Compact Field Office

NEW
PRODUCT



- Narrow design fits through 36" doorways
- Automatic locking gas spring secures door in upright position
- Weather resistant stripping helps to protect against moisture getting inside the box
- Accommodates up to 55" monitors (50" x 30")
- Two-level 45-1/2" x 26-1/2" desk allows recessed use of cable and electronics or storage
- Shrouded padlock guard to improve security
- Cable pass-through holes
- Non-marking 6" casters
- Made in the USA

SPECIFICATIONS

Height with casters	78" (1981 mm)
Height without casters	70.5" (1791 mm)
Weight with casters	470 lbs (213 kg)
Weight without casters	450 lbs (204 kg)

CAT. NO.	UPC NO.	DESCRIPTION
N 7060-CFO	03964	Compact Field Office

Master Lock® is a registered trademark of Master Lock Company

* Items in box are not included.

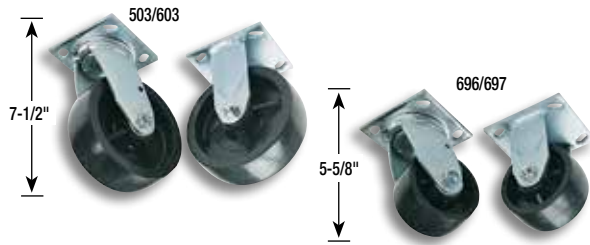


Shrouded padlock guard to improve security

Automatic locking gas spring secures door in upright position

Sized to fit through standard 36" doorways

Replacement Parts



- Caster bolt pattern 2-7/8" x 3-1/4"
- Polyolefin-injected molded hard casters: stain-resistant, chemical-resistant, and non-marking

CASTER SELECTION CHART

STORAGE BOX CAT. NO.	CASTER CAT NO.			
	503	603	703	696
1332	✓	✓	✓	✓
1636	✓	✓	✓	✓
2142	✓	✓	✓	✓
2448	✓	✓	✓	✓
2460	✓	✓	✓	✓
3048	✓	✓	✓	✓
2472	✓	✓	✓	✓
1230				
1531				
5060MESH	✓	✓	✓	Included
3360	✓	✓	✓	✓
4848	✓	✓	✓	✓
4860	✓	✓	✓	✓
4872	✓	✓	✓	✓
2260	✓	✓	✓	✓
3648	✓	✓	✓	✓
3660	✓	✓	✓	✓
5660L	✓	✓	✓	✓
5660LH	✓	✓	✓	✓
5760TD	✓	✓	✓	✓
5860	Included	Included	✓	
3548	✓	✓	Included	
8060DLX	✓	✓	✓	✓

SPECIFICATIONS	503	603	703	696	697
Diameter	6 in. (152 mm)	6 in. (152 mm)	6 in. (152 mm)	4 in. (102 mm)	4 in. (102 mm)
Tread	2 in. (51 mm)	2 in. (51 mm)	2 in. (51 mm)	2 in. (51 mm)	2 in. (51 mm)
Capacity	2000 lbs. (907 kg)	2000 lbs. (907 kg)	2000 lbs. (907 kg)	1600 lbs. (726 kg)	1600 lbs. (726 kg)
Ship Weight	22 lbs. (10 kg)	20 lbs. (9 kg)	20 lbs. (9 kg)	13 lbs. (6 kg)	15 lbs. (7 kg)

*Each caster set includes (16) 3/8-16 x 1" self-threading mounting screws.
 †Each caster set includes (16) 3/8-16 x 1" carriage bolts; (16) 3/8-16 hex nuts; (16) 3/8 lockwashers.
 Note: Screw/washer kit p/n 50062913 is necessary for mounting 703 casters on boxes other than 3548.

CAT. NO.	UPC NO.	DESCRIPTION
503*	28044	4 Swivel
603*	23405	2 Rigid, 2 Swivel
703†	08420	2 Rigid, 2 Locking Swivel
696*	15341	2 Rigid, 2 Swivel
697*	89189	4 Swivel
52025978	20965	Lid Support – (L) Side
52025979	20966	Lid Support – (R) Side
08428	08428	10 mm Gas Spring Ball Stud Replacement Kit (all Slant/Flat-Tops)
53950	53950	Gas Springs for 2260
53951	53951	Gas Springs for 3360 only
08427	08427	13 mm Gas Spring Ball Stud Replacement Kit (8060 DLX)
55294	55294	Replacement Gas Spring Kit – Shock and (2) Clips (8060 DLX)
01886	01886	Replacement Gas Spring Kit for 4872, 4848, 4860, 3648 & 3660

Greenlee Green Spray Touch-up Paint



22618

- Closely matches Greenlee painted products

SPECIFICATIONS

Weight 1.2 lbs. (.5 kg)

CAT. NO.	UPC NO.	DESCRIPTION
22618	22618	13 oz. (384 ml) Aerosol Can of Greenlee Green Spray Paint
10378	10378	13 oz. (384 ml) Aerosol Can of Greenlee Flat Green Spray Paint*

NOTE: The color green is a registered trademark for Test Instruments, Job Boxes, Benders and Pulling Equipment.
 *For Storage Boxes

WIRE AND CABLE HANDLING

Conduit and Pipe Storage Rack



- Easily stacks for storage and transportation of multiple units
- High strength steel frame holds up to 1000 lbs of material
- Heavy-Duty 6" casters (2 rigid, 2 swivel)
- Foldable material trees
- Stacking block securely fits in tree stock to prevent tumbling

SPECIFICATIONS

Capacity	1000 lbs. (454 kg)
Dimensions	58-1/2" (1486 mm) long x 34" (864 mm) wide x 63-1/2" (1613 mm) high
Folded Down	58-1/2" (1486 mm) long x 34" (864 mm) wide x 19" (483 mm) high
Weight	113 lbs. (51 kg)

CAT. NO.	UPC NO.	DESCRIPTION
668	15343	Mobile Conduit and Pipe Rack with 603 casters
503	28044	6" (152 mm) Diameter Caster Set, 4 Swivel
603	23405	6" (152 mm) Diameter Caster Set, 2 Swivel and 2 Rigid

Material Bundler

NEW PRODUCT



- Carry and store full bundles of conduit
- Designed to fit through standard 36" doorways
- Easily loaded with a forklift - unload at waist height
- Increased load capacity - up to 2,500 lbs
- Size: 48.1" (1221.7 mm) L x 28.3" (718.8 mm) W x 36.4" (924.5 mm) H
- 8" casters (2 rigid, 2 swivel)

CAT. NO.	UPC NO.	DESCRIPTION
GMX-670K	02421	Material Bundler Cart Kit
GMX	01832	GMX Multi-Purpose Base
CS8	01853	8" Swivel Caster w/ Brake
GMX-670	01835	Material Bundler Attachment Set

Wire Dispenser

NEW PRODUCT



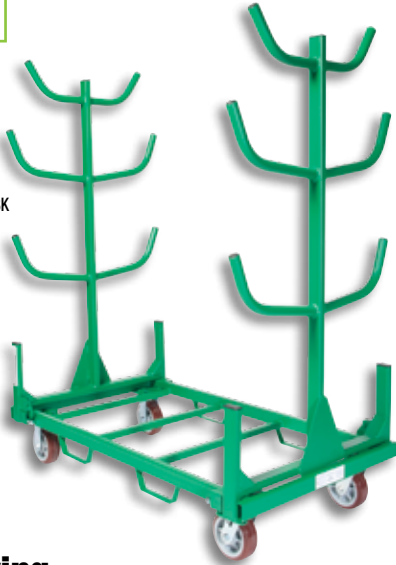
- Handles up to 14 x 2,000' spools
- Adjustable, removable spindles, rated at 125 lbs. per spindle
- Wire organizer prevents tangles
- Additional spindles available (GMX-A1, GMX-A2)
- Size: 63.5" (1612.9 mm) L x 31.5" (800.1 mm) W x 36" (939.8 mm) H
- 6" casters (2 rigid, 2 swivel)

CAT. NO.	UPC NO.	DESCRIPTION
GMX-910K	02422	Wire Dispenser Cart Kit
GMX	01832	GMX Multi-Purpose Base
CS6	02429	6" Swivel Caster
GMX-910	01836	Wire Dispenser Attachment Set (incl. five spindle sets)
GMX-A1	01839	Spindle Set (for two spools)
GMX-A2	01841	Extended Spindle Set (for two spools)

Material Tree

NEW
PRODUCT

GMX-668K



- Greater storage
- Seven bins to hold long construction materials
- 1,600 lbs. capacity (up to 400 lbs. per arm set)
- Optimized load height
- Size: 48.5" (1231.9 mm) L x 28.3" (718.8 mm) W x 55" (1397 mm) H
- 6" casters (2 rigid, 2 swivel)

CAT. NO.	UPC NO.	DESCRIPTION
N GMX-668K	02421	Material Tree Cart Kit
N GMX	01832	GMX Multi-Purpose Base
N CS6	02429	6" Swivel Caster
N CR6	02428	6" Rigid Caster
N GMX-668	01834	Material Tree Attachment Set

Shelving

NEW
PRODUCT

GMX-663K



- Mobile supply station
- Removable shelves
- Reversible shelf with lip
- Capacity: 400 lb. per shelf
- Size: 50.1" (1272.5 mm) L x 28.3" (718.8 mm) W x 60.2" (1529 mm) H
- 8" casters (2 rigid, 2 swivel)

CAT. NO.	UPC NO.	DESCRIPTION
N GMX-663K	02859	Shelving Cart Kit
N GMX	01832	GMX Multi-Purpose Base
N CS8	01853	8" Swivel Caster
N CR8	02564	8" Rigid Caster
N GMX-663	01838	Material Tree Attachment Set

Flatbed

NEW
PRODUCT

GMX-661K



- Ultimate versatility
- Base rated at 2,500 lbs load capacity
- Removable handle
- Includes 10" casters
- Size: 57.9" (1470.6 mm) L x 28.3" (718.8 mm) W x 32.7" (830.5 mm) H
- 10" casters (2 rigid, 2 swivel)

CAT. NO.	UPC NO.	DESCRIPTION
N GMX-661K	02425	Flatbed Cart Kit
N GMX	01832	GMX Multi-Purpose Base
N CST10	01847	10" All Terrain Swivel Caster
N CRT10	01843	10" All Terrain Rigid Caster
N GMX-661	01833	Flatbed Attachment Set

Caster Selection

NEW PRODUCT



- 4" Smooth, hard surfaces
Can rest for long periods without deforming wheels
- 6" Smooth, hard surfaces with obstructions and optional brake available
Can rest for long periods without deforming wheels
- 8" Rough, textured surfaces
Swivel-lock changes from rigid to swivel with ease (Brake included in swivel)
- 10" Smooth hard surfaces with semi-pneumatic tire for outdoor applications

CAT. NO.	UPC NO.	DESCRIPTION
CR4	02426	4" Rigid Caster
CS4	02427	4" Swivel Caster
CR6	02428	6" Rigid Caster
CS6	02429	6" Swivel Caster
CSBK	02431	6" Caster Brake
CR8	02564	8" Ridge Caster
CS8	01853	8" Swivel Caster w/ Brake
CRT10	01843	10" All Terrain Rigid Caster
CST10	01847	10" All Terrain Swivel Caster
02532	02532	Replacement Caster Hook

Screw-Type Reel Stands



- Wide, welded steel base for added stability with four 5/8" mounting holes
- Rollers fit in the spindle groove to keep the spindle in place and turning freely
- Two stands and a spindle are required for a complete setup

SPECIFICATIONS

Size	683 - 24" x 21" (610 x 533 mm) base; 54" (1372 mm) maximum height 687 - 15" x 15" (381 x 381 mm) base; 28" (711 mm) maximum height
Capacity	683 - 2,500 lbs. (1134 kg) each, 46" - 96" (1168 x 2438 mm) reel diameter 687 - 2,500 lbs. (1134 kg) each, 28" - 56" (711 x 1422 mm) reel diameter
Weight	683 - 42 lbs. (19 kg) 687 - 22 lbs. (10 kg)

CAT. NO.	UPC NO.	DESCRIPTION
683	15372	Reel Stand 22" - 54" (559 - 1372 mm)
687	17076	Reel Stand 13" - 27" (330 - 711 mm)
684	15375	Spindle for 683 Reel Stand
647	15321	Spindle for 687 Reel Stand
25591	25591	Stop Pin (683 - 2; 687 - 1)

Ratchet-Type Reel Stand



- Ratchet mechanism to easily raise or lower the height
- Rollers fit in the spindle groove to keep the spindle in place and turning freely
- Two stands and a spindle are required for a complete setup

SPECIFICATIONS

Size	24-1/2" x 23" (622 mm x 584 mm) base; 46-5/8" (1184 mm) maximum height
Capacity	3,750 lbs. (2268 kg) each 58" - 90" (1473 mm - 2286 mm) reel diameter
Weight	87 lbs. (39 kg)

CAT. NO.	UPC NO.	DESCRIPTION
656	21979	Ratchet Reel Stand 28" - 46-5/8" (711 mm - 1184 mm)
657	21980	Spindle for 656 Reel Stand
30291	30291	Handle with Grip

Reel Stand Spindles



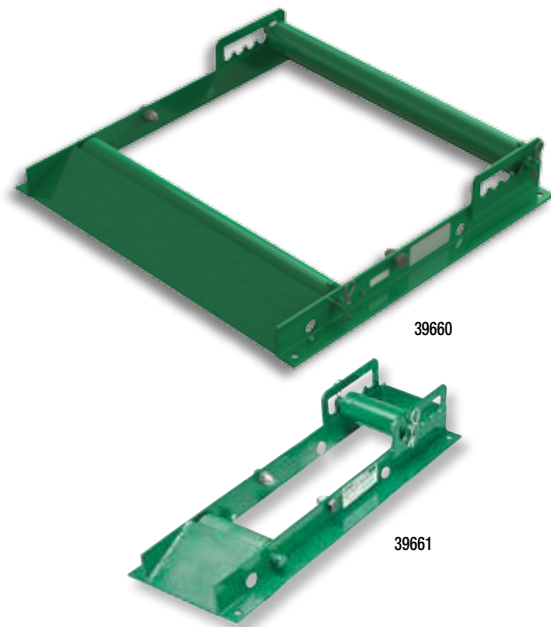
- Steel spindles with grooves to fit reel stand rollers

SPECIFICATIONS

Size	647 - 2-3/8" diameter x 62" (60 x 1575 mm)
	657 - 3-1/2" diameter x 100" (89 x 2540 mm)
	684 - 2-3/8" diameter x 76" (60 x 1930 mm)
Capacity	647 - 5,000 lbs. (2268 kg) 59" (1500 mm) between grooves
	657 - 7,500 lbs. (2388 kg) 94" (2540 mm) between grooves
	684 - 5,000 lbs. (2268 kg) 73" (1854 mm) between grooves
Weight	647 - 42 lbs. (19 kg)
	657 - 124 lbs. (56 kg)
	684 - 50 lbs. (23 kg)

CAT. NO.	UPC NO.	DESCRIPTION
647	15321	Spindle for 687 Reel Stand
657	21980	Spindle for 656 Reel Stand (only)
684	15375	Spindle for 683 Reel Stand

Reel Rollers



- Heavy-duty welded steel construction
- Built-in loading ramps
- Adjustable to various reel widths and diameters (21" dia. min.)
- Roller locks for unloading
- Side ball rollers for centering
- Fast, convenient ground-level setup for paying out large cable reels

SPECIFICATIONS

Size	39660 - 32" (813 mm) L x 34" (864 mm) W, 87 lbs. (39 kg)
	39661 - 32" (813 mm) L x 11" (279 mm) W, 45 lbs. (20 kg)
	39664 - 48" (1067 mm) L, 9 lbs. (4 kg)
Capacity	39666 - 32" (813 mm) L x 48" (1219 mm) W, 99 lbs. (45 kg)
	39660 - 2,500 lbs. (1134 kg) 30" (762 mm) max reel width
	39661 - 2,000 lbs. (902 kg) per pair, 42" (1067 mm) max reel width
	39666 - 2,000 lbs. (902 kg) 42" (1067 mm) max reel width

CAT. NO.	UPC NO.	DESCRIPTION
39660	39660	Reel Roller, single platform roller
39661	39661	Reel Roller, single (two required)
39664	39664	Spreader Kit, two 48" spreader bars
39666	39666	Reel Roller Kit, (includes two 39661 rollers and one 39664 spreader kit)

INDEX

Alphabetical Product Index

A

AC Adapters For Battery-Powered Tools.....	42
AC Clamp-on Meter.....	160
AC True RMS Clamp Meter, 1000A.....	156
AC True RMS Clamp Meter, 600A.....	157, 158
AC/DC True RMS Clamp Meter, 1000A.....	156
AC/DC True RMS Clamp Meter, 600A.....	157
Accessories.....	41
Accessories for Bending 40 Mil PVC-Coated Rigid Conduit for 880 & 884 Benders.....	132
Accessory Shoe Groups.....	124
ACSR Cable Cutter.....	66
ACSR Guy Strand & Steel Cutting.....	50
Adapter, Ground Rod.....	80
Adjustable Non-Contact Voltage Detector.....	145
Adjustable wrenches.....	179
Aluminum LED Flashlights.....	187
Anchors & Fasteners.....	222
Arbors With Replacement High-Speed Steel Pilot Drill Bits.....	216
Asphalt Cutter.....	80
Auger Bits.....	73
Auger Bits.....	202
Automatic Electrical Tester.....	144

B

Ball-end Set.....	182
Band Saw Blades.....	221
Band Saws.....	221
Basket-Type Pulling Grip Sets.....	112
Battery ACSR & Guy Wire Cutter.....	55, 56
Battery ACSR Cutter, ES20L.....	50, 51
Battery Charger Adapter.....	42
Battery-Hydraulic Knockout Kits.....	229
Battery-Powered ACSR Cutter, ETS25.....	58
Battery-Powered Bolt Cutter, ETS12L.....	48
Battery-Powered Hydraulic Pumps.....	22, 60
Battery-Powered Knockout Kits.....	229
Belts.....	189
Bender, Intellibender® Electric Conduit.....	120
Bending Table.....	132
Bi-Fold Cabinet.....	248
Bi-Metal Hole Saw Kits.....	217
Bi-Metal Hole Saws.....	214
Bit Extensions.....	205
Bit Cutters.....	185
Bottle Opener.....	178
Breakaway Swivels.....	108
Breaker - 25 Lb.....	79
Breaker - 35 Lb.....	79, 80
Breaker Tools.....	80
Breakers.....	79
Buried Facility Location & Marking.....	162
Buried Line Locator.....	163
Bushing & Cable Sizing Reference Table.....	70
Bushings For Metal Stud Punches.....	241

C

C-Frame Punches.....	242
Cabinet Tip Screwdriver.....	177
Cable Bending Tools.....	68
Cable Cutter.....	64
Cable Cutter, 718.....	63
Cable Cutter, 718HL.....	64
Cable Cutting Blades.....	45
Cable Feeders.....	92
Cable Guide.....	104
Cable Lubricant Quantity Chart.....	115
Cable Preparation Instructions For Set Screw Clamp-Type Pulling Grips.....	110
Cable Pull Force Estimator.....	100
Cable Pulling Lubricant Selection Guide.....	115

Cable Stripping Tool.....	71
Cable Tray Feeder & Accessories.....	105
Cable Tray Roller, CTR100.....	105
Cable Tray Roller, CTR200.....	105
Cable-Cream™.....	115
Cable-Cream™ Cable Pulling Lubricant.....	116
Cable-Gel™.....	115
Cable-Gel™ Cable Pulling Lubricant.....	116
Cam Track® Benders & Shoe Groups.....	128
Cam Track® Conduit Benders for EMT, IMC & Rigid.....	127
Canvas Bag.....	189
Canvas Zipper Bag.....	193
Canvas Zipper Bag, 12".....	193
Carbide-Grit Hole Saws.....	215
Carbide-Tipped Hole Cutters.....	211
Caster Selection.....	254
Caulking Anchors.....	222
CCX Tool Accessories.....	20
CCX Tool Accessories (optional, all in pairs except punch driver).....	45
Certified Non-Conductive High Pressure Hoses.....	24
Chain Saw Accessories.....	77
Chain Saws.....	76
Chests.....	244
Chisel.....	80
Clamp-On Meter.....	160
Clamp-On Meter Comparison Guide.....	152, 153
Clamp-On Meters.....	152
Clear Lube™.....	115, 117
Combination Drill/Tap Bits.....	199
Combination Ratcheting Wrenches.....	180
Compact Field Office.....	250
Compact Ratchet Cable Cutters.....	62
Compact Ratchet Cable Cutters.....	174
Comparison Guide, DMM.....	146, 147
Competitive Die Compatibility.....	35
Conduit & Pipe Storage Rack.....	252
Conduit Pistons.....	140
Conveyor Sheaves.....	102
Copper & Aluminum Cutting.....	46
Cordura® Open Tool Carrier, 11".....	189
Couplers, HTMA.....	90
Crimping & Cutting Tools.....	8
Crimping Die Carrying Case.....	42
Crimping Die Cross Reference.....	35, 36, 37
Crimping Dies.....	32
Crimping Dies For 12-Ton Tools.....	34
Crimping Dies For 4-Ton Tools.....	32
Crimping Dies For 6-Ton Tools.....	33
Crimping Tool - 1.20" (30 mm) Jaw, 12-Ton (10.9 t).....	27
Crimping Tool - 1.65" (42 mm) Jaw, 12-Ton (10.9 t).....	27
Crimping Tool - Kearney, 12-Ton (10.9 t).....	26
Crimping Tool 8-1 Awg.....	38
Crimping Tool Load Cell.....	41
Crimping Tool Test Meter.....	41
Crimping Tool, 15-Ton (13.6 t).....	26
Crimping Tool, 60-Ton.....	23
Cutter Dies, KD6-27.....	66
Cutters & Crimpers.....	194
Cutting Tools.....	183
Cutting/Threading Oil.....	223

D

D'VersiBIT® Bits & Accessories.....	208
D'VersiBIT® Starter Kit.....	209
D'VersiBIT® System.....	209
D'VersiBIT® System.....	208
Deburring Tool.....	213

Deluxe Force Gauge.....	100
Detector, Voltage Non-Contact.....	145
Diagonal Cutting Pliers.....	171
Die Adapters.....	45
Die-Type Crimping.....	10
Dieless Crimp Adapter.....	45
Dieless Crimping.....	15
Digital Multimeter.....	151
Digital/Analog Megohmmeter.....	166
Dipped Handle Adjustable Wrench.....	179
Double-Braided Composite Rope for High Force Cable Pullers.....	106
Drill/Taps.....	199
Drivers.....	81
Dynapress Hydraulic Intensifier.....	24

E

E-Z Bore Self-Feed Bits.....	206
E-Z Bore Self-Feed Bits Kit.....	206
Electric Bender, 555® CX.....	122
Electric Bender, 854DX.....	121
Electric Benders.....	120
Electric Benders for Conduit & Pipe, 555® Classic.....	123
Electric Hydraulic Pump.....	133
Electric PVC Heater.....	135
Electrical Testers.....	144
Electrical Testers Comparison Guide.....	144
Electrician's Canvas Bag, 20".....	189
EMT Shoe Groups, 1/2" - 2".....	124
ESM™ Digital Logging Meter.....	148
ESM™ Industrial 500,000-Count Digital Multimeter.....	148
ESM™ Series Digital Multimeters.....	149, 150
ESP710L Stud Punch.....	241

F

Feeding Sheaves.....	103
Female Adapters.....	90
Field Office.....	249
FishFinder® Plus Vision System.....	137
Flashlights.....	187
Flat-Top Boxes.....	246
Flatbed.....	253
Flexible Led Flashlight.....	187
Flexible Mandrel.....	118
Flow Control Valve.....	87
Flow Test Kit.....	88
Folding Ball-end Set, 9 Piece.....	182
Folding Hex Key Set, 9 Piece.....	181, 182
Folding Utility Knives.....	183
Foot Pump Hydraulic Driver Kits.....	236
Foot Pump Kits Parts List.....	237
Foot Switch for Cable Pullers.....	100

G

Gas Lamp Tester.....	169
Gator® 12-Ton Battery-Powered Crimping Tools.....	12
Gator® 6-Ton Battery-Powered Dieless Crimping Tool.....	15
Gator® Battery Powered Crimping Tool EK425L.....	8
Gator® Battery-Powered 15-Ton Crimping Tool.....	13, 14
Gator® Battery-Powered 4-Ton Crimping Tool.....	10
Gator® Battery-Powered & Corded 6-Ton Crimping Tools.....	11
Gator® Battery-Powered Cable Cutter.....	51
Gator® Battery-Powered Quad-Point Dieless Crimping Tools.....	16
Gator® CCXL Tools.....	44

Gator® Dieless Crimping Tools.....	17
Gator® ES1000 Battery-Powered Cable Cutter.....	57
Gator® ES32FL Battery-Powered Fine Stranded Copper Cable Cutter.....	49
Gator® ES32LU Battery-Powered Cable Cutter.....	49
Gator® ES750 Battery-Powered Cable Cutter.....	57
Gator® ESC105 Battery-Powered Cable Cutter.....	53
Gator® ESC85L Battery-Powered Cable Cutter.....	54
Gator® ESG105LU Battery-Powered Cable Cutter.....	52
Gator® ETS8L Cable Tray Cutter.....	47
Gator® Eye.....	40
Gator® Pack.....	22, 60
Gator® RK425 Remote-Powered Crimping Tool.....	18
Gloves.....	198
Ground Resistance Tester.....	154
Ground Rod Driver.....	82
Ground Rod Driver, HRD.....	82
Guy Wire Cutter Dies.....	66
Guy Wire Cutter, EHS.....	65

H

Hack Saw.....	184
Hand Hydraulic Dieless Crimping Tool.....	31
Hand Pump Hydraulic Driver Punch Kits.....	230
Hand Pump Kits.....	234, 235
Hand Saws.....	220
Hand Tools.....	38
Hand Tools.....	184
Heavy Duty Hack Saw, 12".....	184
Heavy-Duty 4 Pocket Leather Pouch.....	192
Heavy-Duty 5 Pocket Leather Pouch.....	192
Heavy-Duty 8 Pocket Leather Pouch.....	191
Heavy-Duty Band Saw.....	221
Heavy-Duty Bolt Cutters.....	185
Heavy-Duty Bolt Cutters with Fiberglass.....	184
Heavy-Duty Cabinet Tip Screwdriver.....	177
Heavy-Duty Cable Cutters.....	63
Heavy-Duty Keystone Tip Screwdriver.....	177
Heavy-Duty Leather Tool Belt.....	192
Heavy-Duty Manual Communications Cable Cutter.....	67
Heavy-Duty Multi-Pocket Bag, 18".....	189
Heavy-Duty Phillips Tip Screwdriver.....	178
Heavy-Duty Ratchet Cable Cutters.....	61
Hex Key Set.....	181, 182
Hex Keys.....	181
High Leverage Side-Cutting Pliers.....	170
High Performance Ratchet ACSR Cable Cutter.....	65
High Performance Ratchet Cable Cutters.....	61
High Pressure 15-Ton Remote Powered Crimping Head.....	21
High Pressure Couplers, 10,000 psi (700 bar).....	25
High Pressure Hydraulic Control Valves for Cutters & Crimping Tools.....	25
High Strength Polyester Measuring Pulling Tapes.....	142
High-Strength Polyaramid Measuring Pulling Tapes.....	141
Hole Saws.....	214
Hook Sheaves.....	101
Hook-Type Sheaves.....	101
HVAC True RMS Clamp Meter, 600A.....	159
Hydraulic ACSR Cable Cutter.....	64
Hydraulic Battery-Powered Pump, EHP700LU.....	22, 60

Hydraulic Benders 127
 Hydraulic Cable Bender 68
 Hydraulic Crimper/Cutter, LP6 - 6 Ton 28
 Hydraulic Flow Control Valve 87
 Hydraulic Impact Wrenches 72
 Hydraulic Oil 133
 Hydraulic Power Unit - 20 HP 86

I
 Indentor Crimping Tool 39
 Industrial Clamp Meter, 1000A 155
 Industrial Clamp Meter, 2000A 154
 Industrial Clamp Meter, 600A 155
 Insulated Drivers 196
 Insulated High Leverage Cable Cutter 194
 Insulated Nut Driver 197
 Insulated Nut Driver Set 197
 Insulated Nut Driver Set, 7 Piece 197
 Insulated Plier & Screwdriver Set 195
 Insulated Pliers 194
 Insulated Screwdriver 196
 Insulated Screwdriver Set 196
 Insulated Screwdriver Set, 9-Piece 196
 Insulated Terminal Crimping Tool 194
 Interface Kits 168

J
 Junior Basket-Type Pulling Grips 112

K
 K Basket-Type Pulling Grips 113
 K-Series Crimping Tool 3/0-400 38
 K-Series Crimping Tool 8-1/0 AWG 38
 K-Series Crimping Tool 8-4/0 AWG 38
 Keystone Tip Screwdriver 177
 Knockout Accessories Usage 240
 Knockout Punch Adapter 45
 Knockout Punch Driver Selection Guide 226
 Knockout Punch Selection Guide 226
 Knockouts For Stainless Steel 232
 Kwik Stepper® Step Bits 200

L
 Lamp Tester 169
 Leather Pouch 191, 192
 Leather Tool Belt 192
 LED Plastic Flashlights 188
 Light Base Sheave 104
 Light-Duty Basket-Type Pulling Grips 112
 Locators 161
 Locators Application Guide 161
 Long Auger Wood Bits 205
 Long Nose Pliers/Side Cutting 172
 Long-Reach Chain Saws 77
 Low Pressure 15 Ton Crimping Tool 25
 Low Pressure Hose 89
 Low Pressure Hoses & Fittings 88
 Lube Spreader Swab 117

M
 Male Adapters 90
 Manhole Sheaves for UT2®, Tugger® & Super Tugger® Cable Pullers 103
 Manual Crimping Tool 39
 Manual Hydraulic Crimping Tool, 12-Ton 30
 Manual Hydraulic Quad-Point Dieless Crimping Tools 31
 Material Bundler 252
 Material Tree 253
 MC Cable Cutter 71
 Measuring Tapes 141
 Mesh Cabinet 247
 Metal Stud Punches 241
 Mighty Mouser® Blow Gun Kit 139
 Mild Steel SPEED PUNCH® Knockout System 228
 Mini Screwdriver Set 175
 Mobile Bending Table 129
 Mobile VersiBoom™ II 95
 Mobile Workbench 248

Moil Point 80
 Motor Rotation & Phase Sequence 167
 Motor Rotation & Phase Sequence Indicator Kit 167
 Motor Rotation Indicator 167
 Multi-Pocket Bag 189
 Multi-Tool 176
 Multi-Tool Driver 176
 Multi-Tool, 6-in-1 176
 Multi-Tool, 9-in-1 176
 Multimeter Accessories 168
 Multimeters 146
 Multiple Strength Basket-Type Pulling Grips with Rotating Forged Eye 114

N
 Nail Eater® Extreme 203
 Nail Eater® Extreme Black Utility Auger Bits 204
 Nail Eater® Extreme Impact Bits 203
 Nail Eater® RT 202
 Non-Conductive 88, 89
 Non-Contact Self Testing Voltage Detector 145
 Nut Driver Set 197
 Nut Drivers 197
 Nut Holding Nut Driver Set 197
 Nut Holding Nut Drivers 197
 Nut Runners 73
 Nylon Cable Protector 104

O
 Oil-tight SPEED PUNCH® Knockout System 228
 Orchard & Shade Tree Pruner 78
 Overhead Circular Saw 78

P
 Padded Tool Belt 193
 Parts List For Models 591 & 592 140
 Phase Sequence Indicator 167
 Phillips Tip Screwdriver 178
 Pistol-Grip Chain Saws 76
 Pliers 170
 Pocket Caddy, 7 Piece 191
 Pocket Knives 183
 Pocket Tool Caddy 191
 Pole Puller 83
 Pole Tampers 82
 Poly Line 141
 Polyester Measuring Tape & Dispenser 142
 Polypro General Purpose Rope 106
 Polyurethane Low Pressure Hose 89
 Portable Blower Power Fishing System 139
 Portable C-Frame Punch Drivers 242
 Post Puller 83
 Pouch/Belt Combo 190
 Pouch/Belt Combo, 3-Piece 190
 Pouches 189
 Power Unit - 20 HP 86
 Power Unit & Valve Controls 86
 Power-Return Tape Measure 186
 Professional Folding Utility Knives 183
 Professional Pocket Knives 183
 Protractor With Magnetic Base 137
 Pruners 78
 Pulling Accessories 101
 Pulser Fault Locator 162
 Pump Pliers - 10" & 12" 173
 PVC Bending Accessories 136
 PVC Bending Equipment Selection Guide 134
 PVC Cutter For Up To 1-1/4" 136
 PVC Cutter For Up To 1" 136
 PVC Cutter For Up To 2" 136
 PVC Heating Blankets 134
 PVC Plugs & Plug Set 136

PVC-Coated Rigid Shoe Group, 1/2" - 2" 40 MIL 125
 PVC, Bending 134

Q
 Quad-Point Dieless Remote-Powered Crimping Heads 19
 Quick Adjust Sheave Roller, 6600A 105
 Quick Change Hole Saw Kit 213
 Quick Change Stainless Steel Hole Cutters 210
 Quick Draw 90° 239
 Quick Draw® 239
 Quick Draw® Flex 239
 Quick Draw® Hydraulic Punch Driver 238

R
 Ram 237
 Ratchet ACSR Cable Cutter 65
 Ratchet Cable Bender 68
 Ratchet Cable Cutters 61
 Ratchet Cable Cutters 62
 Ratchet Cable Cutters 174
 Ratchet Communications Cutter 67
 Ratchet-Type Reel Stand 254
 Ratcheting Wrench Set 179
 Ratcheting Wrench Set, 7 Piece Combination 179
 Ratcheting Wrenches 180
 Reciprocating Saw Blades 218, 219
 Reel Rollers 255
 Reel Stand Spindles 255
 Remote Hydraulic Cutting 59
 Remote Powered Crimping Tool, 15-Ton 21
 Remote Valve 87
 Remote-Powered Crimping Heads, 12-Ton 19
 Replacement Parts 251
 Reversible Drill 74
 Right-Angle Twin Yoke Sheave 101
 Rigid Conduit Bender for 1-1/4" - 2" One-Shot 90°s & 2-1/2" - 4" Segment Bending 130
 Rigid Conduit Benders for One-Shot 90°s in 1-1/4" - 4" 131
 Rigid/IMC Shoe Group, 1/2" - 2" 124
 Rock Drill 79
 Rope 106
 Rope Clevis 108
 Rope-to-Swivel Connectors 107
 Rotary Impact Hammer Drill 74
 Rubber Low Pressure Hose 88, 89

S
 Saber™ Cable Stripper Tools 69
 Safety Glasses 198
 Safety Products 198
 Saw Blades 218
 Saws & pruners 76
 Scratch Awl 178
 Screw Anchor Expanders For Caulking Anchors 222
 Screw-Type Reel Stands 254
 Screwdriver 175
 Screwdriver Set 175
 Screwdriver Set, 5 Piece 175
 Screwdriver Set, 7 Piece 175
 Screwdrivers 175
 Selection Guide for ACSR, Guy Strand & Steel Cutters 50
 Selection Guide, Bending 119
 Selection Guide, Cable Puller 93
 Selection Guide, Pulling Grip 111
 Selection Guides 225
 Self-Feeding Spade Bits 207
 Set Screw Clamp Pulling Grips 109
 Set Screw Clamp Pulling Grips 110
 Shade Tree Pruner 78
 Shelving 253
 Shotgun Shoe 125

Side-Cutting Pliers 170
 Sign Post Driver 81
 Sign Post Driver, HPD Series 81
 Sign Post Puller 83
 Slant-Top Boxes 245
 Slug Splitter® Knockout Punches 232, 233
 Slug Splitter® SC 232, 233
 Slug Splitter® SC Knockout Kits 230
 Slug Splitter® SC Ram 230
 Slug-Buster® Hydraulic Knockout Kits 234
 Slug-Buster® Ram 234, 235, 236
 Spade Bits 207
 SPEED PUNCH® Knockout Kits Mild Steel 228
 SPEED PUNCH® Knockout System 228
 SPEED PUNCH® Knockouts 227
 SPEED PUNCH® Punches 240
 Split Mesh Rod Closing Basket-Type Slack Pulling Grips 114
 Stainless Steel SPEED PUNCH® Knockout System 228
 Standard Threaded Punches 240
 Station Master™ Pro 164
 Steel Cable & Wire Rope Cutter 66
 Steel Hole Cutters 210
 Step Bits 200
 Storage 244
 Straight Claw Hammer 186
 Striking Tool/Screwdriver 176
 Stubby Auger Wood Bits 204
 Stubbys 177
 Stud Punches 241
 Submersible Pumps 84
 Submersible Water Pump 84
 Super Tugger® Cable Puller 96
 Swabs, Brushes, Mandrels & Swivels 117
 Swivel Adapters 90
 Swivels 107

T
 T-Basket-Type Pulling Grips 113
 T-Handle Hex Key Drivers 181
 Temperature 168
 Thermometers, Infrared 168
 Threaded Rod Cutter 184
 Threaded Rod Cutting Blades 45
 Tool Bags 189
 Tool Belt 192
 Tool Caddy 191
 Tool Carrier 189
 Tool Carrier with Parts Bin, 16" 190
 Touchless AC Voltage Indicator 145
 Tracker II 163
 Trash Pump 85
 Triple Sheave Cable Guide 102
 True RMS AC Clamp Meter 159
 True RMS Clamp Meter 158
 Tugger Accessories 100
 Tugger® & Super Tugger® 103
 Two-Hand Ratchet Cable Cutter 61

U
 Ultra Cable Feeder™ 92
 Ultra Cutters 212
 Ultra Tugger® 5 Cable Puller 98
 Ultra Tugger® 640/6001 Adapter Package, 11147 97
 Ultra Tugger® 94
 Ultra Tuggers 93
 Universal Cable Stripper 69
 Utility Cabinets 247
 Utility Knife 183
 Utility Pruners 78

V	Vacuum/Blower Power Fishing System, 690-15.....	138
W	Water Pump.....	84
	Winter-Gel™.....	115
	Winter-Gel™ Cable Pulling Lubricant.....	116
	Wire & Cable Handling.....	252
	Wire & Cable Stripping Tools.....	69, 71
	Wire & Valve Locator.....	164
	Wire Dispenser.....	252
	Wire Duct Brush.....	118
	Wire Finder/Mini Locator.....	162
	Wrenches.....	179

Alphanumeric Product Index

A-1.....	70
AD1/2-5/8.....	72, 74
AF-1.....	70
AF2.....	162
B-1.....	70
BC14.....	185
BC18.....	185
BC24.....	185
BC30.....	185
BC36.....	185
BF-1.....	70
BLL-200.....	163
CCX.....	43
CH1.....	162
CH2.....	162
CJ22.....	9, 29
CJB.....	9, 18, 29
CJD3.....	9, 18, 29
CJD3BG.....	9, 18, 29
CJD30.....	9, 18, 29
CJK.....	9, 18, 29
CJXPJ.....	9, 18, 29
CLR-1.....	117
CLR-5.....	117
CLR-Q.....	117
CM-1360.....	156
CM-1360-C.....	156
CM-1560.....	156
CM-1560-C.....	156
CM-330.....	160
CM-410.....	160
CM-450.....	159
CM-660.....	158
CM-660-C.....	158
CM-860.....	157
CM-860-C.....	157
CM-960.....	157
CM-960-C.....	157
CMGRT-100.....	154
CMGRT-100-C.....	154
CMH-1000.....	158
CMH-1000-C.....	158
CMH-600.....	159
CMH-600-C.....	159
CMI-1000.....	155
CMI-1000-C.....	155
CMI-2000.....	154
CMI-2000C.....	154
CMI-600.....	155
CMI-600-C.....	155
CMSC-1U.....	154
CMT-80.....	144
CMT-90.....	144
CP1.....	9, 29
CR4.....	254
CR6.....	253, 254
CR8.....	253, 254

CRM-1.....	116
CRM-5.....	116
CRM-Q.....	116
CRT10.....	253, 254
CS14.....	162
CS15.....	162
CS16.....	163
CS4.....	254
CS6.....	252, 253, 254
CS8.....	252, 253, 254
CSBK.....	254
CST10.....	253, 254
CTF-200.....	105
CTR100.....	105
CTR200.....	105
DBITKIT.....	209
DK6040.....	23
DM-200A.....	150
DM-200A-C.....	150
DM-210A.....	150
DM-210A-C.....	150
DM-25.....	151
DM-45.....	151
DM-510A.....	150
DM-510A-C.....	150
DM-65.....	151
DM-810A.....	149
DM-810A-C.....	149
DM-820A.....	149
DM-820A-C.....	149
DM-830A.....	149
DM-830A-C.....	149
DM-860A.....	148
DM-860A-C.....	148
DML-430A.....	148
DML-430A-C.....	148
DMSC-2U.....	168
DMSC-9.....	168
DMSC-9U.....	148, 168
DTAP1/4-20.....	199
DTAP10-24.....	199
DTAP10-32.....	199
DTAP12-24.....	199
DTAP3/8-16.....	199
DTAP5/16-18.....	199
DTAP6-32.....	199
DTAP8-32.....	199
DTAPKIT.....	199
DTAPKITM.....	199
DTAPM10C.....	199
DTAPM3C.....	199
DTAPM4C.....	199
DTAPM5C.....	199
DTAPM6C.....	199
DTAPM8C.....	199
E-1.....	70
E-2.....	70
E-3.....	70
E-4.....	70
E-5.....	70
E-6.....	70
E-7.....	70
E-8.....	70
E-9.....	70
E12CCXL11.....	44
E12CCXL12.....	44
E12CCXL20.....	44
E12CCXL22.....	44
E12CCXL230.....	44
E12CCXLB.....	44
EAC18120.....	22, 42, 52, 60
EAC18230.....	22, 42, 52, 60
ECCXL11.....	44
ECCXL12.....	44
ECCXL120.....	44
ECCXL22.....	44
ECCXL230.....	44
ECCXLB.....	44

EF-1.....	70
EF-2.....	70
EF-3.....	70
EF-4.....	70
EF-5.....	70
EHP700LU11.....	22, 60
EHP700LU12.....	22, 60
EHP700LU20.....	22, 60
EHP700LU22.....	22, 60
EHP700LU230.....	22, 60
EHP700LUB.....	22, 60
EK06ATCL11.....	16
EK06ATCL12.....	16
EK06ATCL120.....	16
EK06ATCL22.....	16
EK06ATCL230.....	16
EK06ATL11.....	16
EK06ATL12.....	16
EK06ATL120.....	16
EK06ATL22.....	16
EK06ATL230.....	16
EK06ATLB.....	16
EK06FTL11.....	16
EK06FTL12.....	16
EK06FTL120.....	16
EK06FTL22.....	16
EK06FTL230.....	16
EK06FTLB.....	16
EK1230L11.....	12
EK1230L12.....	12
EK1230L120.....	12
EK1230L22.....	12
EK1230L230.....	12
EK1230LB.....	12
EK1240CL11.....	12
EK1240CL12.....	12
EK1240CL120.....	12
EK1240CL22.....	12
EK1240CL230.....	12
EK1240CLB.....	12
EK1240KL11.....	12
EK1240KL12.....	12
EK1240KL120.....	12
EK1240KL22.....	12
EK1240KLB.....	12
EK1240L11.....	12
EK1240L12.....	12
EK1240L120.....	12
EK1240L22.....	12
EK1240L230.....	12
EK1240L230.....	12
EK1240L30.....	12
EK1240LB.....	12
EK12IDL11.....	17
EK12IDL12.....	17
EK12IDL120.....	17
EK12IDL22.....	17
EK12IDL230.....	17
EK12IDLB.....	17
EK1550FTLU11.....	13
EK1550FTLU12.....	13
EK1550FTLU20.....	13
EK1550FTLU22.....	13
EK1550FTLU230.....	13
EK1550FTLUB.....	14
EK1550L11.....	14
EK1550L12.....	14
EK1550L120.....	14
EK1550L22.....	14
EK1550L230.....	14
EK1550LB.....	14
EK410L11.....	10
EK410L12.....	10
EK410L120.....	10
EK410L22.....	10
EK410L230.....	10
EK410LB.....	10
EK425LB.....	9
EK425LD11.....	9
EK425LD12.....	9

EK425LD22.....	9
EK425LDBG11.....	9
EK425LDBG12.....	9
EK425LDBG22.....	9
EK425LD011.....	9
EK425LD012.....	9
EK425LD022.....	9
EK425LK11.....	9
EK425LK12.....	9
EK425LK22.....	9
EK622L11.....	11
EK622L12.....	11
EK622L120.....	11
EK622L22.....	11
EK622L230.....	11
EK622LB.....	11
EK622PLU11.....	11
EK622PLU12.....	11
EK622PLU120.....	11
EK622PLU22.....	11
EK622PLU230.....	11
EK622PLUB.....	11
EK6IDL11.....	15
EK6IDL12.....	15
EK6IDL120.....	15
EK6IDL22.....	15
EK6IDL230.....	15
EK6IDLB.....	15
EL122/32.....	22, 60
ES100011.....	57
ES100022.....	57
ES20E.....	50
ES20L11.....	50
ES20L12.....	50
ES20L22.....	50
ES20LB.....	50
ES2511.....	58
ES2522.....	58
ES32FL11.....	49
ES32FL12.....	49
ES32FL120.....	49
ES32FL22.....	49
ES32FL230.....	49
ES32FLB.....	49
ES32L11.....	49
ES32L12.....	49
ES32L120.....	49
ES32L22.....	49
ES32L230.....	49
ES32LB.....	49
ES750-11.....	57
ES750-22.....	57
ES85E.....	54
ESC105L11.....	53
ESC105L12.....	53
ESC105L22.....	53
ESC105LB.....	53
ESC85L11.....	54
ESC85L12.....	54
ESC85L120.....	54
ESC85L22.....	54
ESC85L230.....	54
ESC85LB.....	54
ESG105LU11.....	52
ESG105LU12.....	52
ESG105LU120.....	52
ESG105LU22.....	52
ESG105LU230.....	52
ESG105LUB.....	52
ESG25L11.....	51
ESG25L12.....	51
ESG25L22.....	51
ESG25LB.....	51
ESG45EF.....	55
ESG45ESI.....	55
ESG45L11.....	55
ESG45L12.....	55
ESG45L120.....	55

ESG45L22.....	55
ESG45L230.....	55
ESG45LB.....	55
ESG50L11.....	51
ESG50L12.....	51
ESG50L120.....	51
ESG50L22.....	51
ESG50L230.....	51
ESG50LB.....	51
ESG55L11.....	56
ESG55L12.....	56
ESG55L22.....	56
ESG55LB.....	56
ESP710L11.....	241
ETS12L11.....	48
ETS12L12.....	48
ETS12L120.....	48
ETS12L22.....	48
ETS12L230.....	48
ETS12LB.....	48
ETS8L11.....	47
ETS8L12.....	47
ETS8L120.....	47
ETS8L22.....	47
ETS8L230.....	47
ETS8LB.....	47
F-1.....	70
F-2.....	70
F-3.....	70
F-4.....	70
F-5.....	70
F-6.....	70
F-7.....	70
F-8.....	70
F-9.....	70
F011243.....	83, 90
F011604.....	90
F013455.....	78, 90
F016769.....	80
F016770K.....	80
F016775.....	90
F016776.....	90
F017347.....	90
F017348.....	90
F017904.....	90
F018451.....	80
F018452.....	80
F018453.....	80
F020195K.....	79, 90
F020196K.....	78, 80, 81, 83, 84, 85, 90
F020197K.....	78, 80, 81, 83, 84, 85, 90
F020198K.....	79, 90
F020721.....	24
F020723.....	24
F020735.....	9, 29
F020754.....	90
F021406.....	90
F021627.....	25
F022061.....	25
F022544.....	77
F024631.....	25
F024772.....	84
F024775.....	84
F030030.....	77
F13.....	86
FF200.....	137
FL2AA.....	187
FL2AAAP.....	188
FL2AAF.....	187
FL2C.....	187
FL2D.....	187
FL4AAP.....	188
FL4AAP-HM.....	188
FL4AAP-PCH.....	188
Flhead.....	188
G3.....	99



GATOR-EKG.....15, 40	H4905A.....83	KA22-1.....9, 33	KD12-35.....34	MA50.....41
GATOR-PK.....22, 60	H4910A.....83	KA22-1/0.....9, 33	KD12-36.....34	MVB.....94, 95
GEL-1.....116	H6400C.....74	KA22-2.....9, 33	KD12-37.....34	NC-10-38MF.....24
GEL-5.....116	HB10.....24	KA22-2/0.....9, 33	KD12-38.....34	NC-30-38MF.....24
GEL-Q.....116	HCS816.....76	KA22-250.....9, 33	KD12-39.....34	NC-6-38MF.....24
GG1-1/0L.....109	HCS8160CB.....76	KA22-3/0.....9, 33	KD12-40.....34	NR1.....72, 73, 74
GG1-1/0M.....109	HCS820.....76	KA22-300.....9, 33	KD12AL.....34	NR1-5/8.....72, 74
GG1-1/0S.....109	HDBC24.....185	KA22-350.....9, 33	KD12CU.....34	NR2.....72, 73, 74
GG1-1/0XL.....109	HDBC30.....185	KA22-4.....9, 33	KD4-10.....32	PE2003.....162
GG11000M.....109	HDBC36.....185	KA22-4/0.....9, 33	KD4-840.....32	PF8.....100
GG1000S.....109	HDBC42.....185	KA22-6.....9, 33	KD6-10.....9, 18, 29, 33	PTR-1.....202
GG1000XL.....109	HDFBC18.....184	KA22-8.....9, 33	KD6-11.....9, 18, 29, 33	PTR-7/8.....202
GG1000XS.....109	HDFBC24.....184	KA4-1.....32	KD6-12.....9, 18, 29, 33	PVA0021.....25
GG2/0-4/0L.....109	HDFBC30.....184	KA4-1/0.....32	KD6-13.....9, 18, 29, 33	PVA0022.....25
GG2/0-4/0M.....109	HDFBC36.....184	KA4-2.....32	KD6-14.....9, 18, 29, 33	R-1.....70
GG2/0-4/0S.....109	HFC30.....87	KA4-2/0.....32	KD6-15.....9, 18, 29, 33	R-10.....70
GG2/0-4/0XL.....109	HID6506.....74	KA4-4.....32	KD6-16.....9, 18, 29, 33	R-11.....70
GG2/0-4/0XS.....109	HK06AT.....31	KA4-6.....32	KD6-17.....9, 18, 29, 33	R-12.....70
GG250-350L.....109	HK06FT.....31	KA4-8.....32	KD6-18.....9, 18, 29, 33	R-2.....70
GG250-350M.....109	HK1230.....30	KA4AL.....32	KD6-19.....9, 18, 29, 33	R-3.....70
GG250-350S.....109	HK1230C.....30	KC12-1.....34	KD6-20.....9, 18, 29, 33	R-4.....70
GG250-350XL.....109	HK1240.....30	KC12-1/0.....34	KD6-21.....9, 18, 29, 33	R-5.....70
GG250-350XS.....109	HK1240C.....30	KC12-2.....34	KD6-22.....9, 18, 29, 33	R-6.....70
GG400-500L.....109	HK12ID.....31	KC12-2/0.....34	KD6-24.....9, 18, 29, 33	R-7.....70
GG400-500M.....109	HK520.....64	KC12-250.....34	KD6-25.....9, 18, 29, 33	R-8.....70
GG400-500S.....109	HKL1232.....30	KC12-3/0.....34	KD6-27.....9, 18, 29, 33, 66	R-9.....70
GG400-500XL.....109	HPB25.....79	KC12-300.....34	KK50LGL.....15	RA96.....81
GG400-500XS.....109	HPB35.....79	KC12-350.....34	KP1022-INS.....194	RB-1.....70
GG600-750L.....109	HPB45-1AVS.....80	KC12-4.....34	L043175.....78	RB-2.....70
GG600-750M.....109	HPB45-2AVS.....80	KC12-4/0.....34	L088009.....78	RB-3.....70
GG600-750S.....109	HPB55-1AVS.....80	KC12-400.....34	LDTAP1/4-20.....199	RH10.....138
GG600-750XL.....109	HPD-HV-U.....81	KC12-500.....34	LDTAP10-32.....199	RH15.....138
GG600-750XS.....109	HPD-T-U.....81	KC12-6.....34	LDTAP8-32.....199	RH25.....138
GMX.....252, 253	HPS513.....76	KC12-600.....34	LDTAPKIT.....199	RK06AT.....19
GMX-661.....253	HPS513CB.....76	KC12-750.....34	LHFS-210003.....78	RK06FT.....19
GMX-661K.....253	HRD.....82	KC12-8.....34	LP6-01.....29	RK1240.....19
GMX-663.....253	HRD-58.....82	KC22-1.....9, 33	LP6-02.....29	RK1240C.....19
GMX-663K.....253	HRD44A.....79	KC22-1/0.....9, 33	LP6-03.....29	RK12CX.....20
GMX-668.....253	HS1.....164	KC22-2.....9, 33	LP6-04.....29	RK12CX / RK12ID.....20
GMX-668K.....253	HTA4GL.....22, 60	KC22-2/0.....9, 33	LP6-05.....29	RK12ID.....20
GMX-670.....252	GMX-668.....72	KC22-250.....9, 33	LP6-06.....29	RK1550.....21
GMX-670K.....252	HW1.....72	KC22-3/0.....9, 33	LP6-07.....29	RK1550FT.....21
GMX-910.....252	HW1V.....72	KC22-300.....9, 33	LP6-08.....29	RK425.....18
GMX-910K.....252	HW3.....73	KC22-350.....9, 33	LP6-09.....29	RK6040.....23
GMX-A1.....252	IC1.....163	KC22-4.....9, 33	LP6-10.....29	S2613.....140
GMX-A2.....252	ISO-16.....228	KC22-4/0.....9, 33	LP6-11.....29	SA54.....81
GRIPS.....109	ISO-63.....228	KC22-400.....9, 33	LP6-12.....29	SDG105.....59
GS1.....164	JRF-4EPR.....69	KC22-500.....9, 33	LP6-13.....29	SDG45.....59
GT-12A.....145	JRF-4XLP.....69	KC22-6.....9, 33	LP6-14.....29	SDG55.....59
GT-16.....145	JRF-REPR.....69	KC22-600.....33	LP6-15.....29	SDG85.....59
GTS-1930.....69	JRF-RPK.....69	KC22-600B.....9	LP6-16.....29	SDK105.....59
GTS-BRK.....69	JRF-RXLP.....69	KC22-8.....9, 33	LP6-17.....29	SG4.....122, 123, 125
GTS-CASE.....69	K05-1GL.....38	KC4-1.....32	LP6-18.....29	SG4-854.....121, 126
GTS-RDS.....69	K05-1SPGL.....38	KC4-1/0.....32	LP6-19.....29	T-1.....70
GTS-RH.....69	K09-2GL.....38	KC4-2.....32	LP6-20.....29	T-10.....70
GTS-THHN.....69	K09-2SPGL.....38	KC4-2/0.....32	LPK1230.....27	T-11.....70
GTS-THHN-EC.....69	K09-3GL.....38	KC4-250.....32	LPK1240.....27	T-12.....70
GTS-THHN-GC.....69	K111.....38	KC4-3/0.....32	LPK1240K.....26	T-13.....70
GTS-THHN-SW.....69	K22S1GL.....9, 33	KC4-300.....32	LPK1550.....26	T-14.....70
GTS-THXH.....69	K425BG.....39	KC4-4.....32	LPK1550FT.....25	T-15.....70
GTS-THXH-EC.....69	K425K58.....39	KC4-4/0.....32	LRF75.....77	T-16.....70
GTS-THXH-GC.....69	K425KO.....39	KC4-6.....32	LRF88.....77	T-17.....70
GTS-XHHW.....69	K4250.....39	KC4-8.....32	LS100.....229, 240	T-18.....70
GTS-XHHW-EC.....69	KA12-1.....34	KC4CU.....32	LS100L11SB.....229	T-19.....70
GTS-XHHW-GC.....69	KA12-1/0.....34	KD06AL.....9, 33	LS100L11SB4.....229	T-2.....70
GTS-XHHW-SW.....69	KA12-2.....34	KD12-10.....34	LS100L11SB4SP.....228, 229	T-20.....70
GTSD-1930.....69	KA12-2/0.....34	KD12-11.....34	LS100L11SBSP.....228, 229	T-21.....70
H4635.....85	KA12-3/0.....34	KD12-12.....34	LS100L11SS.....229	T-22.....70
H4660B.....84	KA12-300.....34	KD12-14.....34	LS100L11SS4.....229	T-23.....70
H4665A.....84	KA12-350.....34	KD12-15.....34	LS100L11SSP.....229	T-24.....70
H4802-RV60.....82	KA12-4.....34	KD12-17.....34	LS50.....229, 240	T-25.....70
H4802-RV60B.....82	KA12-4/0.....34	KD12-18.....34	LS50L11B.....229	T-26.....70
H4802-RV85.....82	KA12-400.....34	KD12-19.....34	LS50L11SBSP.....228, 229	T-27.....70
H4802-TV60.....82	KA12-500.....34	KD12-20.....34	LT-100.....169	T-28.....70
H4802-TV72.....82	KA12-6.....34	KD12-21.....34	MA120.....41	T-3.....70
	KA12-600.....34	KD12-20.....34	MA12ID.....41	T-4.....70
	KA12-750.....34	KD12-30.....34	MA22.....41	T-5.....70
	KA12-8.....34	KD12-32.....34	MA4.....41	T-6.....70
		KD12-33.....34		

T-7 70
 T-8 70
 T-9 70
 TC-10144, 155, 157, 158, 159, 169
 TC-20 148, 149, 167
 TC-30 154, 155, 156, 158
 TC-5 144, 159, 160
 TC1S KIT 41
 TF130 41
 TF70 41
 TG-1000 168
 TG-2000 168
 TG3 22, 60
 TPB 148, 149
 TSG-3148, 149, 150, 151, 154, 156, 157, 158, 159
 UA 81
 UA12ID 20, 45
 UA12P 20, 45
 UA12T 20, 45
 UA15T 13, 21, 25
 UA22 45
 UAK 45
 UAW 45
 UC26 45
 UC40 20, 45
 UCACSR 45
 UCUNC12 45
 UCUNC14 45
 UCUNC38 20, 45
 UT10 94
 UT10-22 94
 UT10-25 93
 UT10-2S 93, 94
 UT153-18 176
 UT2 93
 UT4 98
 UT4-22 98
 UT4F 98
 UT4F-22 98
 WGEL-1 116
 WGEL-5 116
 WGEL-Q 116

Numeric Product Index

00039 49
 00040 49
 00041 183
 00043 183
 00057 183
 00058 183
 00059 183
 00061 183
 00062 183
 00103 168
 00104 168
 00113 220
 00115 220
 00116 220
 00117 198
 00118 198
 00120 198
 00121 198
 00149 98
 00154 98
 00181 198
 00194 98
 00196 198
 00197 198
 00198 198
 00199 198
 00200 198

00201 198
 00222 198
 00223 198
 00233 198
 00234 198
 00235 198
 00260 13, 21, 25
 00301 64
 00334 151
 00336 64
 00337 151
 00339 151
 00355 136
 00357 94
 00358 94
 00359 94
 00372 72
 00373 72
 00376 72
 00471 95
 00490 25
 00552 21
 00553 94, 95
 00560 95
 00561 95
 00562 95
 00563 95
 00564 95
 00565 95
 00566 95
 00567 95
 00583 95
 00584 95
 00585 95
 00586 95
 00587 95
 00588 95
 00589 95
 00606 144, 160
 00617 230
 00618 233
 00619 233
 00620 233
 00621 233
 00622 231
 00623 231
 00624 231
 00625 231
 00626 231
 00627 231
 00629 231
 00630 231
 00754 22, 60
 00755 22, 60
 00781 97
 00782 97
 00783 97
 00784 97
 00785 231
 00788 13
 00789 13
 00790 13
 00791 97
 00792 13
 00799 97
 00803 20, 45
 00804 97
 00811 97
 00812 94
 00813 94
 00814 94
 00815 97
 00816 29
 00817 29
 00818 29
 00819 29
 00820 97
 00821 29

00822 29
 00823 29
 00824 29
 00825 29
 00826 29
 00829 94
 00833 29
 00834 29
 00835 97
 00836 29
 00837 29
 00838 101
 00839 29
 00840 29
 00841 29
 00842 29
 00843 101
 00847 29
 00848 29
 00853 244
 00854 101
 00855 101
 00856 101
 00858 244
 00859 244
 00863 97
 00864 97
 00865 94
 00872 101
 00873 101
 00874 101
 00884 98
 00890 145
 00902 13
 00903 129
 00905 99
 00906 199
 00907 199
 00908 199
 00909 199
 00916 72, 74
 00938 72, 74
 00939 72, 74
 00949 66
 00967 94, 100
 01054 22, 60
 01058 22, 59, 60
 01059 22, 59, 60
 01082 42
 01128 17
 01134 44
 01135 44
 01136 49
 01137 49
 01138 51
 01139 48
 01140 47
 01141 55
 01142 53
 01143 54
 01144 10
 01146 11
 01147 51
 01148 14
 01149 14
 01150 22, 60
 01152 50
 01153 56
 01154 12
 01155 12
 01156 12
 01157 12
 01158 16
 01159 16
 01247 206
 01248 206
 01249 206
 01250 206

01251 206
 01252 206
 01254 206
 01257 206
 01258 206
 01260 206
 01261 206
 01262 206
 01263 206
 01266 206
 01271 206
 01272 206
 01273 206
 01274 65
 01319 122, 123, 124
 01320 122, 124
 01321 122, 123, 124, 125
 01322 122, 123, 124
 01323 122, 123, 124
 01340 41
 01500 200
 01501 200
 01502 200
 0151-08D 170
 0151-08M 170
 0151-09-INS 194
 0151-09CD 170
 0151-09CM 170
 0151-09D 170
 0151-09FD 170
 0151-09M 170
 0151-09TD 170
 01513 248
 01522 59
 01526 59
 0153-01-INS 196
 0153-01C 175
 0153-02C 175
 0153-03C 175
 0153-04C 177
 0153-11-INS 196
 0153-11C 177
 0153-12C 177
 0153-13C 177
 0153-14C 177
 0153-15-INS 196
 0153-15C 177
 0153-16C 177
 0153-17-INS 196
 0153-21-INS 196
 0153-21C 177
 0153-22-INS 196
 0153-22C 177
 0153-23-INS 196
 0153-23C 177
 0153-24C 177
 0153-25C 177
 0153-26C 177
 0153-27C 177
 0153-28C 177
 0153-31-INS 196
 0153-31C 178
 0153-32C 177
 0153-33-INS 196
 0153-33C 178
 0153-34C 178
 0153-35-INS 196
 0153-35C 178
 0153-36C 178
 0153-42C 176
 0153-42CP 176
 0153-43C 176
 0154-06 179
 0154-08D 179
 0154-10D 179
 0154-12D 179
 01541 138
 01542 138

01543 138
 0155-25A 186
 0155-7MA 186
 01552 138
 01553 138
 01554 138
 01555 59
 01556 59
 0156-11 186
 01565 20
 01566 20
 01577 18
 0158-11 189
 0158-12 189
 0158-13 189
 0158-14 193
 0158-15 191
 0158-16 190
 0158-17 191
 0158-19 190
 01581 52
 01582 52
 01583 52
 01584 52
 01585 52
 01586 52
 0159-01-INS 194, 195
 01630 209
 01631 9, 33
 01632 123
 01633 123
 01634 122
 01635 122
 01643 212
 01715 228
 01716 228
 01732 11
 01740 11
 01744 11
 01745 11
 01746 11
 01747 11
 01762-01C 198
 01762-01S 198
 01762-03A 198
 01762-04M 198
 01762-05S 198
 01762-06C 198
 01762-07C 198
 01832 252, 253
 01833 253
 01834 253
 01835 252
 01836 252
 01838 253
 01839 252
 01841 252
 01843 253, 254
 01847 253, 254
 01853 252, 253, 254
 01870 59
 01874 100
 01876 61
 01878 61
 01879 215
 01886 251
 02004 72, 73
 02004 204
 02005 72, 73
 02005 204
 02006 72, 73
 02006 204
 02007 72, 73
 02007 204
 02021 32
 02022 32
 02037 32
 02042 22, 60

02064.....	39	0254-45.....	181	02735.....	69	03491.....	70	03964.....	250
02065.....	39	0254-46.....	181	02736.....	69	03492.....	70	04-03-36C.....	209
02069.....	148	0254-47.....	181	02738.....	69	03495.....	70	04-03-54C.....	209
02072.....	71	0254-48.....	181	02739.....	69	03496.....	70	04-03-72C.....	209
02075.....	32	0254-49.....	181	02746.....	69	0351-06M.....	172	04006.....	241, 242
02076.....	32	0254-50.....	181	02747.....	69	0351-07M.....	172	04008.....	242
02077.....	32	0254-51.....	181	02748.....	69	0351-08-INS.....	194	04010.....	242
02078.....	32	02542.....	154	02749.....	69	0351-08M.....	172	04011.....	235, 237, 239
02079.....	32	02543.....	124	02750.....	69	0351-08SD.....	172	04013.....	235, 237, 239
02080.....	32	02544.....	124	02768.....	105	0351-08SM.....	172	04021.....	69
02081.....	32	02548.....	124	02787.....	122	03510.....	70	04027.....	126
02082.....	32	02549.....	124	02797.....	105	03515.....	70	04028.....	126
02083.....	32	02553.....	125	02800.....	213, 214	03516.....	70	04029.....	126
02084.....	32	02554.....	125	02801.....	213, 214	03517.....	70	04030.....	126
02086.....	41	02564.....	253, 254	02803.....	213	03518.....	70	04034.....	121, 126
02186.....	154	02567.....	124	02804.....	213	03520.....	70	04061.....	235, 237, 239
02187.....	155	0258-11.....	191	02805.....	213	03521.....	70	04063.....	235, 237, 239
02188.....	156	0258-13.....	192	02806.....	213	03522.....	70	04175.....	235, 237
02190.....	156	0258-14.....	192	02810.....	105	03523.....	70	04177.....	235, 237
02191.....	155	02582.....	125	02826.....	65	03524.....	70	04180.....	235, 237
02197.....	80	02593.....	221	02827.....	15	03525.....	70	04181.....	51
02198.....	80	02594.....	221	02828.....	15	03526.....	70	04183.....	235, 237
02201.....	80	02595.....	221	02829.....	15	03527.....	70	04184.....	51
02207.....	154	02624.....	38	02830.....	15	03528.....	70	04253.....	136
02209.....	158, 159	02625.....	38	02831.....	15	03529.....	70	04292.....	11
02210.....	157	02628.....	38	02832.....	15	0353-32-INS.....	196	04339.....	248
02211.....	158	02629.....	38	02840.....	121, 125	0353-33-INS.....	196	04460.....	247
02212.....	155	02630.....	38	02846.....	94	03530.....	70	0451-10-INS.....	194
02219.....	156	02646.....	70	02859.....	253	03531.....	70	0451-10M.....	173
02221.....	156	02647.....	70	02862.....	122	03532.....	70	0451-12D.....	173
02229.....	155	02648.....	70	02863.....	122	0354-01.....	179	0451-12M.....	173
02230.....	157	02649.....	70	02912.....	38	0354-11.....	180	0451-16D.....	173
02231.....	159	02650.....	70	02913.....	38	0354-12.....	180	04652.....	235, 237
02231.....	158	02651.....	70	03078.....	9, 33	0354-13.....	180	04653.....	235, 237
02233.....	157, 158	02652.....	70	03079.....	9, 33	0354-14.....	180	04654.....	235, 237
02257.....	228, 229	02653.....	70	03080.....	9, 33	0354-15.....	180	04655.....	235, 237
02258.....	228	02654.....	70	03081.....	9, 33	0354-16.....	180	04663.....	66
02259.....	228	02655.....	70	03082.....	9, 33	0354-17.....	180	04719.....	249
02274.....	22, 60	02656.....	70	03083.....	9, 33	0354-18.....	180	04829.....	9, 18, 29
02407.....	24	02657.....	70	03084.....	9, 33	0354-19.....	180	04956.....	229
02410.....	24	02658.....	70	03085.....	9, 33	0354-20.....	180	05090.....	54
02411.....	24	02660.....	70	03086.....	9, 33	0354-21.....	180	05191.....	222
02419.....	122, 123, 125	02661.....	70	03087.....	9, 33	0354-22.....	180	05197.....	222
02421.....	252, 253	02662.....	70	03088.....	9, 33	0354-23.....	180	05300.....	222
02422.....	252	02663.....	70	03089.....	9, 33	0354-24.....	180	05351.....	19
02425.....	253	02664.....	70	03090.....	9, 33	0354-25.....	180	05353.....	21
02426.....	254	02665.....	70	03091.....	9, 33	0354-26.....	180	05387.....	235
02427.....	254	02666.....	70	03092.....	9, 33	03548.....	65	05469 GRIP.....	109
02428.....	253, 254	02667.....	222	03094.....	9, 33	03563.....	69	05470.....	109
02429.....	252, 253, 254	02669.....	222	03142.....	229	03564.....	69	05471.....	109
02431.....	254	02670.....	121	03143.....	228, 229	03565.....	69	05472.....	109
02465.....	125, 126	02671.....	222	03145.....	229	03566.....	69	05473.....	109
02466.....	125	02675.....	70	03148.....	229	03567.....	69	05474.....	109
02467.....	125	02676.....	70	03150.....	229	03568.....	69	05477.....	109
0251-05D.....	171	02677.....	70	03170.....	234, 235, 237	03569.....	69	05478.....	109
0251-05M.....	171	02678.....	70	03242.....	9, 18, 29	03570.....	69	05479 GRIP.....	109
0251-06M.....	171	02679.....	70	03248.....	231, 234, 235, 237, 239	03571.....	69	05480.....	109
0251-07M.....	171	02680.....	70	03249.....	231, 234, 235, 237	03572.....	70	05502.....	109
0251-08A-INS.....	194	02681.....	70	03384.....	228, 229	03573.....	70	05503.....	109
0251-08AD.....	171	02682.....	70	03388.....	229	03574.....	70	05504.....	109
0251-08AM.....	171	02683.....	70	03435.....	69	0358-13L.....	198	05505.....	109
0251-08M.....	171	02684.....	70	03447.....	214	0358-13XL.....	198	05506.....	109
0253-03NH-INS.....	197	02685.....	70	03456.....	214	0358-14L.....	198	05507.....	109
0253-11NH-INS.....	197	02686.....	70	03457.....	214	0358-14XL.....	198	05508.....	109
0253-12NH-INS.....	197	02687.....	70	03458.....	214	03581.....	210, 211	05509.....	109
0253-13NH-INS.....	197	02688.....	70	03469.....	214	03599.....	211	05510.....	109
0253-14NH-INS.....	197	02689.....	70	03471.....	105	03607.....	200	05511.....	109
0253-15NH-INS.....	197	02690.....	70	03472.....	105	03644.....	105	05512.....	109
0253-16NH-INS.....	197	02693.....	70	03473.....	105	03661.....	97	05513.....	109
0253-17NH-INS.....	197	02694.....	38	03474.....	105	03710.....	207	05514.....	109
02532.....	254	02702.....	70	03478.....	217	03711.....	207	05515.....	109
0254-11.....	181, 182	02703.....	70	03479.....	217	03712.....	207	05516.....	109
0254-12.....	182	02706.....	205	03480.....	217	03713.....	207	05517.....	109
0254-13.....	182	02707.....	205	03483.....	70	03714.....	207	05518.....	109
0254-40.....	181	02708.....	205	03484.....	70	03715.....	207	05521.....	109
0254-42.....	181	02714.....	155, 158, 159	03485.....	70	03716.....	207	05522.....	109
0254-43.....	181	02731.....	69	03489.....	70	03743.....	105	05523.....	109
0254-44.....	181	02733.....	69	03490.....	70	03746.....	105	05526.....	50

05528.....	94	06894.....	39	09-03-54C.....	209	10208.....	34	11145.....	97
05564.....	92	06900.....	123	09-03-72A.....	209	10209.....	34	11147.....	96, 97
05645.....	92	06904.....	231, 234, 235, 237	09-03-72B.....	209	10210.....	34	11152.....	97
05693.....	210	06972.....	235, 237, 239	09-03-72C.....	209	10211.....	212	11170.....	213
05695.....	210	07033.....	45	093214.....	90	10214.....	212	11180.....	213
05696.....	210	07035.....	45	093215.....	90	10220.....	187	11183.....	81
05697.....	210	07036.....	20, 45	0952-01.....	71	10227.....	12	11186.....	81
05698.....	210	07037.....	45	09865.....	136	10229.....	12	11192.....	82
05699.....	210	07038.....	45	09907.....	62	10231.....	12	11193.....	82
05700.....	210	07039.....	20, 45	09907.....	174	10234.....	12	111952.....	87
05701.....	210	07062.....	45	09908.....	62	10237.....	12	111964K.....	82
05702.....	210	07173.....	236	09908.....	174	10260.....	34	1125GB.....	222
05703.....	210	07174.....	236	10014.....	98	10261.....	34	11267.....	185
05705.....	210	07199.....	30	10015.....	98	10378.....	251	11268.....	185
05707.....	210	07202.....	30	10037.....	184	10383.....	239	11269.....	185
05752.....	210	07205.....	19	10037.....	220	10391.....	239	11270.....	185
05753.....	210	07274.....	45	10038.....	184	10397.....	55	11271.....	185
05761.....	210	07483.....	244	10038.....	220	10398.....	55	11273.....	185
05762.....	210	07486.....	247	10039.....	184	104101K2.....	89	11274.....	185
05766.....	210	07487.....	246	10039.....	220	104102K2.....	89	11275.....	185
05820.....	210	07534...144, 155, 157, 158, 159, 169		10072.....	215	10437.....	117	11276.....	185
05850.....	22, 59, 60	07535.....	148, 149, 167	10073.....	215	10438.....	117	11277.....	184
05883.....	62	07536.....	154, 155, 156, 158	10075.....	215	10439.....	117	11278.....	184
05923.....	63	07541.....	169	10077.....	215	10445.....	142	11279.....	184
05927.....	241	07572.....	166	10078.....	215	10446.....	142	11280.....	184
05928.....	241	07573.....	166	10080.....	215	10447.....	142	11281.....	185
05930.....	63	07573.....	166	10081.....	215	10475.....	238	11289.....	128, 130, 131
05932.....	241	07574.....	167	10082.....	215	10476.....	238	11289.....	242
05935.....	67	07576.....	167	10107.....	31	10507.....	63	11301.....	185
06-03-36A.....	209	07588.....	144, 159, 160	10109.....	234, 235, 237	10538.....	204	11306.....	185
06-03-36B.....	209	07591.....	166	10118 12, 14, 16, 17, 51, 53, 54, 55, 56		10604.....	23	11316.....	185
06-03-36C.....	209	07592.....	148, 149	10122.....	44	10627.....	195	11321.....	185
06-03-54A.....	209	07638.....	166	101243.....	89	10628.....	176	11342.....	184, 185
06-03-54B.....	209	07639.....	166	101243.....	89	10687.....	215	11344.....	184, 185
06-03-54C.....	209	07653.....	154	10134.....	44	10763.....	38	11346.....	184, 185
06-03-54M.....	208	07730.....	154	10139.....	44	10809.....	61	11348.....	185
06-03-72A.....	209	07735.....	144	10140.....	44	10826.....	130, 131	113509.....	80
06-03-72B.....	209	07755.....	168	10157.....	212	108271.....	89	11367.....	184
06-03-72C.....	209	07796.....	163	10158.....	212	108272.....	89	11372.....	144
06011.....	67	07969.....	247	10159.....	212	10920.....	130, 131	11397.....	65
06015.....	241	07978.....	136	10160.....	212	10921.....	130, 131	11627.....	199
06065.....	31	08-03-36A.....	209	10161.....	212	10922.....	130, 131	11628.....	199
06066.....	19	08-03-36B.....	209	10162.....	212	10923.....	131	11761.....	61
06196.....	31	08-03-36C.....	209	10163.....	212	10924.....	131	11768.....	61
06197.....	19	08-03-54A.....	209	10165.....	9, 18, 29, 33	10925.....	131	11789.....	242
06302.....	231, 234, 235, 242	08-03-54B.....	209	10166.....	9, 18, 29, 33	10939.....	130, 131	11790.....	242
06426.....	30	08-03-54C.....	209	10167.....	9, 18, 29, 33	10946.....	131	11797.....	242
06427.....	30	08-03-72A.....	209	10168.....	9, 18, 29, 33	10963.....	131	11798.....	41
0652-11.....	183	08-03-72B.....	209	10169.....	9, 18, 29, 33	10988.....	32	11841.....	57, 58
0652-22.....	183	08-03-72C.....	209	10170.....	9, 18, 29, 33	10996.....	34	11845.....	57, 58
0652-23.....	183	08-04-54M.....	208	10171.....	9, 18, 29, 33	10997.....	34	11851.....	57, 58
0652-24.....	183	08031.....	64	10172.....	9, 18, 29, 33	10998.....	34	11856.....	57, 58
0652-25.....	183	08160.....	39	10173.....	9, 18, 29, 33	10999.....	34	11865.....	160
0652-26.....	183	08161.....	39	10174.....	9, 18, 29, 33	11003.....	34	11890.....	20, 45
0652-28.....	183	08263.....	140	10175.....	9, 18, 29, 33	11004.....	34	11903.....	242
0652-29.....	183	08264.....	140	10176.....	9, 18, 29, 33	11007.....	34	12-04-36A.....	209
06555.....	63	08265.....	140	10177.....	9, 18, 29, 33	11010.....	34	12-04-54A.....	209
06574.....	41	08266.....	140	10179.....	9, 18, 29, 33	11011.....	34	12-04-54C.....	209
06575.....	41	08267.....	140	10180.....	9, 18, 29, 33	11012.....	34	12-04-72A.....	209
06576.....	41	08420.....	251	10182.....	9, 18, 29, 33, 66	11013.....	34	12-04-72C.....	209
06577.....	41	08427.....	251	10185.....	212	11014.....	34	12" Hack Saw.....	220
06714.....	45	08428.....	251	10186.....	212	11015.....	34	12034...148, 149, 150, 151, 154, 156, 157, 158, 159	
06744.....	9, 33	08662.....	163	10188.....	34	11016.....	34	12079.....	242
06745.....	9, 33	08666.....	162	10189.....	34	11018.....	34	12085.....	242
06746.....	9, 33	08678.....	162	10190.....	34	11020.....	34	12086.....	242
06747.....	9, 33	08683.....	164	10192.....	34	11038.....	140	12087.....	242
06749.....	9, 33	08695.....	164	10193.....	34	11039.....	140	12092.....	49
06750.....	9, 33	08740.....	150	10195.....	34	11040.....	140	12093.....	49
06751.....	9, 33	08741.....	150	10196.....	34	11041.....	140	12123.....	144
06752.....	9, 33	08742.....	150	10197.....	34	11042.....	140	12151.....	199
06753.....	9, 33	08743.....	149	10198.....	34	11097.....	205	12160.....	199
06754.....	9, 33	08744.....	149	10199.....	34	11098.....	205	12161.....	199
06755.....	9, 33	08745.....	149	10200.....	34	11099.....	205	12162.....	199
06756.....	9, 33	08746.....	148	10202.....	34	11100.....	205	12163.....	199
06765-10L.....	198	09-03-36A.....	209	10203.....	34	11101.....	205	12164.....	199
06765-10XL.....	198	09-03-36B.....	209	10205.....	34	11102.....	205	12165.....	199
06765-12L.....	198	09-03-54A.....	209	10206.....	34	11104.....	79	121AV.....	241, 242
06765-12XL.....	198	09-03-54B.....	209	10207.....	34	11185.....	83, 89		

12222.....	32	13208.....	130	13857.....	124	16634.....	242	19164.....	214
12223.....	32	13209.....	130	138573.....	24	16646.....	138, 139	19165.....	214
12225.....	32	13210.....	130	138574.....	24	16741.....	131	19166.....	214
12226.....	32	13211.....	130	13934.....	122, 124	16747.....	131	19167.....	214, 217
12227.....	32	13232.....	130	13935.....	50	16751.....	131	19169.....	214, 217
12228.....	32	13251.....	130	13936.....	50	16752.....	131	19171.....	214
12229.....	32	13252.....	130	13937.....	50	16753.....	131	19172.....	214, 217
12237.....	32	13266.....	242	1399.....	221	16797.....	101	19174.....	214, 217
12274.....	11, 12, 14, 16, 17, 44, 51, 52, 53, 54, 55, 56	13267.....	242	1412D.....	208	16798.....	101, 102	19176.....	214
12293.....	92	13268.....	242	1418D.....	208	16799.....	101	19177.....	214, 217
1230.....	251	13276.....	242	1424D.....	208	16800.....	101	19178.....	214
12317.....	233	13277.....	242	14265.....	131	16801.....	101	19179.....	214
12318.....	233	13284.....	231, 234, 235	1429AV.....	235, 237	16802.....	101	19180.....	214, 217
12319.....	233	1332.....	244, 251	1430AV.....	235, 237	16854.....	117	19181.....	214, 217
12320.....	233	13382.....	130	1431AV.....	235, 237	16856.....	117	19182.....	214
12321.....	233	13386.....	191	1432AV.....	235, 237	16857.....	117	19183.....	214
12322.....	233	13388.....	190	1436D.....	208	16858.....	117	19184.....	214
12324.....	233	13438.....	175	14496.....	130	16859.....	117	19185.....	102
12326.....	233	13439.....	196	14722.....	235, 237, 239	16951.....	138, 139, 140	19186.....	102
12327.....	233	13440.....	196	149H2-1.....	206	170074.....	77	19192.....	217
12329.....	233	13441.....	196	149H2-1-1/2.....	206	17076.....	254	19193.....	231
12331.....	233	13442.....	196	149H2-1-1/4.....	206	17091.....	234, 235, 237	19219.....	49
12334.....	233	13443.....	196	149H2-1-1/8.....	206	17140.....	77	19220.....	49
1236D.....	208	13444.....	196	149H2-1-3/4.....	206	17142.....	77	19221.....	49
12383.....	51	13445.....	196	149H2-1-3/8.....	206	1723.....	124, 125, 126	19222.....	49
12384.....	51	13446.....	196	149H2-1/4.....	206	1725.....	68	19223.....	49
12387.....	51	13447.....	196	149H2-2.....	206	1725.....	237, 242	19234.....	49
123AV.....	242	13448.....	196	149H2-2-1/4.....	206	17265.....	101	1924AA.....	231, 234, 235, 237, 239
12417.....	204	13450.....	196	149H2-2-1/8.....	206	17266.....	101	19254.....	15, 40
12418.....	204	13451.....	196	149H2-2-9/16.....	206	17299.....	101	1925AA.....	231, 234, 235, 237
12424.....	137	13453.....	194	149H2-3.....	206	1731.....	242	1926AA.....	231, 234, 235, 237
12425.....	122	13454.....	194	149H2-3-5/8.....	206	1731H767.....	242	19524.....	108
12477.....	186	13455.....	194	149H2-3/8.....	206	1732.....	242	1981.....	39
12479.....	186	13456.....	194	149H2-4-5/8.....	206	1736.....	130	19811.....	131
124AV.....	235, 237, 239	13460.....	103	149H2KIT.....	206	1737.....	131	19913.....	217
12526.....	62	13473.....	197	1531.....	132	17370.....	117	19987.....	47
12555.....	202	13474.....	197	1531.....	251	17571.....	117	19990.....	66
12556.....	202	13475.....	197	15321.....	254, 255	17600.....	62	2000H.....	162
12558.....	202	13476.....	197	15324.....	101	17600.....	174	2000R.....	162
12559.....	202	13477.....	197	15325.....	97, 101	17611.....	199	2010.....	145
12561.....	202	13478.....	197	15326.....	101	17612.....	199	20158.....	20, 45
12562.....	202	13479.....	197	15327.....	101	17613.....	199	20344.....	207
12566.....	12	13480.....	197	15341.....	128	17614.....	199	20346.....	207
12567.....	12	13487.....	170	15341.....	251	17615.....	199	20348.....	207
12568.....	12	13488.....	170	15343.....	252	17616.....	199	20350.....	207
12569.....	12	13490.....	176	15358.....	101	17620.....	199	20352.....	207
12579.....	120	13491.....	177	15362.....	101, 102, 103	17697.....	242	20354.....	207
12582.....	120, 125	13493.....	188	15363.....	101	17700.....	242	20357.....	207
12586.....	122, 123, 124, 125	13494.....	187	15364.....	101	17707.....	22, 59, 60	20358.....	207
1258D.....	208	13495.....	187	15372.....	254	1802.....	130, 131, 132	20359.....	207
12598.....	141	13497.....	187	15375.....	254, 255	1805.....	132	20360.....	207
125AV.....	242	13498.....	188	154399.....	88	1813.....	129	20361.....	207
12623.....	164	13499.....	181	154400.....	88	18557.....	242	20486.....	242
12629.....	64	13500.....	181	1557AA.....	234, 235, 237	18558.....	242	2050.....	131
12661.....	23	13501.....	181	1557SS.....	231	18559.....	242	20920.....	72, 73, 74
12679.....	71	13502.....	181	15631.....	242	1895.....	137	20956.....	100
12680.....	62	13503.....	181	156339.....	84	1903.....	71	20957.....	172
12680.....	195	13504.....	181	156340.....	84	19107.....	140	20958.....	172
12681.....	62	13505.....	181	156586.....	78	19109.....	140	20963.....	234, 235, 237
12681.....	195	13506.....	181	15669.....	131	19110.....	140	20965.....	251
126AV.....	235, 237, 239	13507.....	181	15671.....	131	19133.....	214	20966.....	251
12726.....	159	135130.....	88	15906.....	234	19134.....	214, 217	21111.....	72, 73, 74
12727.....	145	13517.....	180	15908.....	231, 234, 235, 237	19136.....	214, 217	2113B.....	234, 235, 237
1272D.....	208	13518.....	180	15911.....	242	19138.....	214, 217	21257.....	130, 131, 132
12847.....	64	13519.....	180	16-04-36A.....	209	19141.....	214, 217	21285.....	241
12856.....	44	135245.....	72	16-04-54A.....	209	19144.....	214	21297.....	241
12857.....	44	135245.....	88	16-04-72A.....	209	19145.....	214	21316.....	242
128AV.....	235, 237, 239	135247.....	72	1614SS.....	239	19146.....	214, 217	21346.....	132
12938.....	148	135247.....	88	1636.....	244, 251	19147.....	214	21357.....	132
13006.....	56	13539.....	188	16470.....	130	19148.....	214, 217	21359.....	130, 132
13007.....	56	13540.....	188	16477.....	131	19150.....	214	21360.....	132
13008.....	56	13543.....	188	16491.....	130	19152.....	214, 217	21413.....	132
130694.....	89	13544.....	71	16511.....	140	19154.....	214, 217	2142.....	98
130696.....	89	13545.....	71	16512.....	140	19155.....	214, 217	2142.....	244, 251
130868.....	25	13546.....	71	16513.....	140	19158.....	214	21467.....	106
130878.....	25	137449.....	80	16514.....	140	19159.....	214, 217	21468.....	106
13193.....	130	13814.....	242	16515.....	140	19161.....	214, 217	21471.....	106
		13856.....	122, 124	16517.....	138, 139, 140	19162.....	214, 217	21472.....	106

21474.....	106	24054.....	41	29528.....	230	30566.....	113	31487.....	134
21477.....	106	24163.....	32	29529.....	231	30568.....	113	31488.....	134
21480.....	106	24326.....	140	29560.....	233	30570.....	113	31536.....	207
21481.....	141	24395.....	68	29563.....	233	30572.....	113	31537.....	207
21482.....	141	2448.....	244, 251	29600.....	102	30574.....	113	31539.....	207
21520.....	106	2448X.....	244	29619.....	230	30576.....	113	31540.....	207
21521.....	106	24564.....	63	29627.....	96, 97	30578.....	113	31541.....	207
21541.....	132	24565.....	63	29631.....	97	30580.....	113	31542.....	207
21542.....	132	24567.....	63	2981AV.....	235, 237	30582.....	113	31545.....	207
21543.....	132	2460.....	128	29828.....	214	30584.....	112	31569.....	102
21544.....	132	2460.....	244, 251	29829.....	214	30586.....	112	31573.....	102
21545.....	132	2460X.....	244	2982AV.....	235, 237	30588.....	112	31651.....	98
21552.....	98	2472.....	244, 251	29831.....	214	30590.....	112	31651.....	244
21557.....	241	2472X.....	244	29832.....	214	30592.....	112	31756.....	235, 237, 239
21562.....	142	24779.....	138	29834.....	214	30594.....	112	31757.....	235, 237, 239
21875.....	142	24823.....	241	29835.....	214	30596.....	112	31758.....	235, 237, 239
21979.....	254	24B.....	164	29836.....	214	30658.....	114	31759.....	235, 237, 239
21980.....	254, 255	24BK.....	164	29837.....	214	30660.....	114	31760.....	235, 237, 239
22041.....	9, 29	25094.....	237	29838.....	214	30662.....	114	31761.....	235, 237, 239
22084.....	34	25097.....	236	2983AV.....	235, 237	30664.....	114	31788.....	203
22085.....	34	25160.....	103	2984AV.....	235, 237	30666.....	114	31790.....	203
22086.....	34	25184.....	131	30008.....	200	30668.....	114	31792.....	203
22087.....	34	25591.....	254	30008-B.....	200	30758.....	112	31794.....	203
22088.....	34	25644.....	138, 140	30043.....	239	30866.....	135	31796.....	203
22089.....	34	25645.....	138, 140	30183.....	103	30867.....	135	31798.....	203
22090.....	34	25646.....	138, 140	30188.....	103	30908.....	135	31855.....	110
22121.....	34	25746.....	72	30193.....	103	30915.....	203	31866.....	110
22122.....	34	25746.....	88	30206.....	235	30919.....	203	31867.....	110
22123.....	34	25752.....	10, 11, 15, 47, 48, 49	30208.....	63	30921.....	203	31872.....	239
22124.....	34	25766.....	22, 42, 52, 60	30236.....	68	30923.....	203	31881.....	128
22125.....	34	26096.....	223	30291.....	254	30925.....	203	31882.....	128
22126.....	34	26297.....	128	30309.....	128	30927.....	203	31883.....	128
22127.....	34	26300.....	128	30347.....	103	30929.....	203	31884.....	128
22128.....	34	26306.....	128	30358.....	103	30931.....	203	31893.....	183
22129.....	34	26309.....	128	30363.....	103	30935.....	203	31905.....	108
22132.....	58	26349.....	128	30385.....	230	30937.....	203	31908.....	110
22280.....	241	26366.....	128	30387.....	231	30968.....	241	31910.....	108
22286.....	241	26368.....	102	30419.....	203	30976.....	136	31961.....	221
22288.....	241	26369.....	102	30423.....	203	30977.....	136	31969.....	235, 239
22289.....	241	26370.....	102	30427.....	203	30978.....	136	31970.....	235, 239
22291.....	63	26580.....	128	30429.....	203	30979.....	136	31971.....	235, 239
22296.....	63	26584.....	128	30431.....	203	30980.....	136	31973.....	235, 239
22410.....	100	26588.....	128	30433.....	203	30981.....	136	31975.....	235
22451.....	100	26594.....	128	30442.....	113	30998.....	113	31976.....	235
22578.....	68	26624.....	128	30460.....	113	31000.....	113	31978.....	235
22579.....	68	26777.....	140	30462.....	113	31002.....	113	32002.....	235, 239
22590.....	68	2725AA.....	128	30464.....	113	31004.....	113	32003.....	235, 239
2260.....	245, 251	27335.....	242	30466.....	113	31006.....	113	32004.....	235, 239
22618.....	251	27361.....	242	30468.....	113	31010.....	113	32006.....	235, 239
22682.....	68	27364.....	128	30470.....	113	31012.....	113	32008.....	235
22934.....	68	27381.....	128	30474.....	114	31014.....	113	32009.....	235
23196.....	245	27395.....	135	30476.....	114	31024.....	114	32011.....	235
23270.....	245	27416.....	128	30478.....	114	31026.....	114	32095.....	139, 140
23273.....	244	27417.....	128	3048.....	96	31028.....	114	32104.....	140
23274.....	132	27538.....	217	3048.....	244, 251	31030.....	114	322-013.....	220
23276.....	245	27554.....	127, 129	30480.....	114	31032.....	114	322-113.....	220
23360.....	138, 140	27555.....	127, 129	30482.....	114	31068.....	231	322-118.....	220
23362.....	96, 98	27811.....	135	30484.....	114	31092.....	135	32237.....	221
23362.....	244	28008.....	122, 123, 124	30486.....	114	31093.....	135	32322.....	221
23363.....	128	28044.....	251, 252	3048X.....	244	31228.....	136	32336.....	221
23363.....	244	28154.....	231	30502.....	114	31229.....	248	32337.....	221
23405.....	251, 252	28155.....	231	30504.....	114	31274.....	127, 129	32338.....	221
23492.....	13, 21, 25	28156.....	231	30506.....	114	31281.....	127, 129	32431.....	140
23521.....	30	28157.....	231	30508.....	114	31287.....	127	32432.....	139
23635.....	184	28158.....	231	30536.....	112	31291.....	64	32433.....	138, 139, 140
23635.....	220	28159.....	231	30538.....	112	31353.....	68	32565.....	139
23665.....	110	28160.....	231	30540.....	112	31353.....	237	32662.....	140
23773.....	106	28161.....	231	30542.....	112	31369.....	72	32799.....	234
23774.....	106	28162.....	231	30544.....	112	31369.....	88	32913.....	66
23775.....	106	28163.....	231	30546.....	112	31378.....	86	32928.....	104
23776.....	106	28165.....	231	30548.....	112	31395.....	103	32929.....	104
23777.....	106	28166.....	231	30550.....	112	31402.....	194	32930.....	104
23803.....	122, 123, 124	28237.....	223	30552.....	112	31403.....	194	333-1218.....	184
23818.....	124, 125, 126	28238.....	223	30554.....	112	31466.....	96, 97	333-1218.....	220
23892.....	68	28239.....	223	30558.....	113	31482.....	112	333-1224.....	184
23893.....	68	28901.....	129	30560.....	113	31483.....	112	333-1224.....	220
23955.....	68	29451.....	231	30562.....	113	31484.....	112	333-1232.....	184
23955.....	237	29452.....	231	30564.....	113	31486.....	134	333-1232.....	220

333A.....	184	34A-1.....	207	35614.....	238	38097.....	209	39276.....	118
333A.....	220	34A-1/2.....	207	35615.....	238	38098.....	209	39278.....	118
33451.....	140	34A-3/4.....	207	35616.....	238	38099.....	209	39280.....	118
33454.....	131, 132	34A-3/8.....	207	35740.....	136	38102.....	209	39282.....	118
33455.....	132	34A-5/8.....	207	35756.....	150	38103.....	209	39284.....	118
33456.....	132	34A-7/8.....	207	35757.....	150	38104.....	209	39286.....	118
33457.....	132	34AR-6.....	207	35758.....	150	38112.....	209	39288.....	118
33458.....	132	35043.....	246	35759.....	149	38113.....	209	39290.....	108
33459.....	131, 132	35057.....	246	35760.....	149	38114.....	209	39294.....	108
33462.....	131, 132	35068.....	248	35770.....	149	38117.....	209	39295.....	108
33463.....	131, 132	35098.....	96, 106	35771.....	148	38118.....	209	39296.....	108
33515.....	133	35100.....	96, 106	35772.....	168	38119.....	209	39297.....	108
33516.....	133	35101.....	96, 106	35773.....	168	38122.....	209	39298.....	108
3360.....	246, 251	35158.....	239	35884.....	200	38123.....	209	39302.....	108
33614.....	131, 132	35159.....	239	35887.....	26, 27, 41	38124.....	209	39303.....	108
33786.....	239	35162.....	239	35905.....	137	38128.....	209	39304.....	108
33794.....	238	35163.....	239	35936.....	200	38129.....	209	39306.....	108
33901.....	100	35164.....	239	36279.....	235, 239	3812D.....	208	39308.....	108
33967.....	239	35165.....	239	36282.....	242	38133.....	209	39660.....	255
33A-1.....	207	35168.....	239	36284.....	235, 239	38134.....	209	39661.....	255
33A-1-1/2.....	207	35169.....	239	36313.....	133	3824D.....	208	39664.....	255
33A-1-1/4.....	207	35202.....	239	36314.....	133	38316.....	231, 242	39666.....	255
33A-1-1/8.....	207	35207.....	116	36414-B.....	200	38324.....	211	39849.....	107
33A-1-3/8.....	207	35208.....	116	3648.....	245, 251	38326.....	211	39850.....	107
33A-1/2.....	207	35209.....	116	36489.....	231	38327.....	211	39872.....	211
33A-1/4.....	207	35211.....	116	36490.....	231	38328.....	211	399-14A.....	221
33A-3/4.....	207	35212.....	116	36587.....	184	38329.....	211	399-18A.....	221
33A-3/8.....	207	35213.....	116	3660.....	245, 251	38331.....	211	399-24A.....	221
33A-5/8.....	207	35215.....	116	36617.....	241	38332.....	211	39905.....	107
33A-7/8.....	207	35216.....	116	3678GB.....	205	38333.....	211	39913.....	208
33L-1.....	207	35217.....	116	3693GB.....	205	38334.....	211	39914.....	208
33L-1-1/2.....	207	35283.....	98, 106	37103.....	242	38336.....	211	40081.....	90
33L-1/2.....	207	35284.....	98, 106	3713GB.....	205	3836D.....	208	40082.....	90
33L-3/4.....	207	35285.....	98, 106	37154.....	214	38390.....	211	40111.....	89
33L-3/8.....	207	353-110.....	219	37155.....	214, 217	38466.....	127	4016 GB.....	133
33L-5/8.....	207	353-123.....	219	37156.....	214, 217	38467.....	127	40164.....	89
33L-7/8.....	207	353-156.....	219	37157.....	214, 217	38520.....	234	40165.....	89
34081.....	61	353-414.....	219	37186.....	184	38522.....	214, 217	4017 GB.....	133
34084.....	65	353-610.....	219	37187.....	184	38526.....	217	4024.....	102
34136.....	94, 106	353-610G.....	218	37614.....	242	38568.....	77	40250.....	89
34137.....	94, 96, 106	353-6114.....	218	37729.....	68	3858D.....	208	40284.....	83, 89
34138.....	94, 106	353-6118.....	218	37729.....	237, 242	38659.....	247	40290.....	87
34187.....	65	353-614.....	219	37868.....	72	38668.....	208	40301.....	82
34188.....	61	353-614G.....	218	37868.....	203	38678.....	208	40349.....	80
34198.....	130	353-618.....	219	37869.....	72	38717.....	244	4036.....	102
34208.....	127	353-618G.....	218	37869.....	203	38718.....	244	4048.....	102
34209.....	131	353-618RS.....	219	37870.....	72	38719.....	246	40635.....	89
34210.....	131	353-624.....	219	37870.....	203	3872D.....	208	40637.....	89
34288.....	239	353-624G.....	218	37871.....	72	38744.....	208	40647.....	25
34291.....	238	353-635.....	219	37871.....	203	38745.....	208	40652.....	25
34292.....	238	353-636.....	219	37959.....	141	38746.....	208	408.....	106
34293.....	238	353-646.....	219	38031.....	214	38750.....	208	40884.....	88
34299.....	238	353-656.....	219	38034.....	214	38751.....	208	40887.....	72
34300.....	238	353-6563RCT.....	219	38036.....	214	38752.....	208	40887.....	88
34317.....	140	353-656G.....	218	38045.....	214	38753.....	208	40888.....	72
34321.....	132	353-800RDG.....	219	38049.....	214	38756.....	208	40888.....	88
34329.....	131, 132	353-804.....	219	38051.....	214	38757.....	208	409.....	106
34340.....	131, 132	353-810.....	219	38053.....	214	38758.....	208	41070.....	80
34342.....	132	353-810G.....	218	38054.....	214	389-1014-5.....	221	41107.....	24
34344.....	131, 132	353-814.....	219	38055.....	214	389-1418-5.....	221	41108.....	24
34360.....	234	353-818.....	219	38067.....	209	389-24-5.....	221	41185.....	88
34361.....	234	353-818G.....	218	38068.....	209	39106.....	107	41186.....	88
34369.....	133	353-835.....	219	38069.....	209	39107.....	107	412.....	106
34401.....	200	353-9114.....	218	38072.....	209	39108.....	107	41219.....	84
34403.....	200	353-9118.....	218	38073.....	209	39109.....	107	41220.....	84
34403-B.....	200	353-956.....	219	38074.....	209	39110.....	107	413.....	106
34410.....	234, 235, 237	353-969.....	219	38077.....	209	39111.....	107	41351.....	83, 90
34470.....	145	35356.....	205	38078.....	209	39112.....	107	41364.....	90
3448.....	251	35358.....	205	38079.....	209	39243.....	141	414.....	106
34514.....	167	35369.....	58	38082.....	209	39244.....	141	41419.....	78, 90
34525.....	169	35400.....	128	38083.....	209	39245.....	141	41610.....	80
34528.....	169	35450.....	169	38084.....	209	39255.....	118	41615.....	90
34529.....	169	3548.....	248, 251	38087.....	209	39257.....	118	41638.....	90
34556.....	169	3548x.....	248	38088.....	209	39259.....	118	41661.....	90
34574.....	169	35577.....	135	38089.....	209	39261.....	118	417.....	106
34980.....	205	35592.....	135	38092.....	209	39263.....	118	41706.....	80
34983.....	238, 239	35605.....	97	38093.....	209	39265.....	118	41707.....	80
34997.....	206	35611.....	238	38094.....	209	39274.....	118	41708.....	80

41777.....	79, 90	45228.....	62	50423.....	222	52116.....	49	54659.....	178
41778..78, 80, 81, 83, 84, 85, 90		45228.....	174, 195	5060.....	251	52117.....	49	54660.....	178
41779..78, 80, 81, 83, 84, 85, 90		45240.....	67	5060MESH.....	247	52118.....	49	54661.....	175
41780.....	79, 90	45241.....	67	50642.....	242	52119.....	54	54697.....	178
41795.....	24	45242.....	67	50700.....	101	52120.....	54	54701.....	170
41796.....	24	45277.....	62	50753.....	205	52121.....	54	54702.....	170
41799.....	90	45277.....	174	50765.....	205	52122.....	54	54707.....	173
418.....	106	45281.....	62	50806.....	133	52123.....	54	54709.....	173
41834.....	90	45281.....	174	508S.....	162	52124.....	55	54717.....	172
41877.....	25	45282.....	62	508SR.....	162	52125.....	55	54718.....	172
41941.....	25	45282.....	174	508ST.....	162	52126.....	55	54719.....	172
41960.....	77	45297.....	62	50962.....	205	52127.....	55	54729.....	183
42096.....	25	45297.....	174	51059.....	133	52128.....	55	54736.....	171
421.....	106	45333.....	57	51208.....	110	52129.....	51	54737.....	171
42104.....	84	45334.....	57	5123.....	167	52130.....	51	54738.....	171
42105.....	84	45378.....	57	51434.....	102	52131.....	51	54739.....	171
42190.....	84	45379.....	57	51612.....	82	52132.....	51	54740.....	171
42191.....	84	45380.....	57	51613.....	82	52133.....	51	54744.....	173
42199.....	82	45381.....	57	52024.....	9	52134.....	48	54922.....	90
422.....	106	45382.....	57	52025.....	9	52135.....	48	54923.....	24, 26, 27, 29, 72, 73, 74
42200.....	82	45383.....	57	52025978.....	251	52136.....	48	54923.....	76, 77, 78, 81, 82, 83, 84, 90
42201.....	82	455.....	106	52025979.....	251	52137.....	48	54924.....	74
42237.....	83	456.....	106	52026.....	9	52138.....	48	54924.....	76, 77, 78, 81, 82, 83, 84, 90
42239.....	83	45653.....	76	52027.....	9	52139.....	47	54925.....	24, 26, 27, 29, 72, 73, 74
42260.....	74	45798.....	72, 73, 74	52028.....	9	52140.....	47	54925.....	90
42309.....	74	45826.....	76	52029.....	9	52141.....	47	54997.....	248
42358.....	78	459.....	104	52030.....	9	52142.....	47	54998.....	248
42853.....	78	45937.....	79	52031.....	9	52143.....	47	55101.....	77
42909.....	78	45938.....	79	52032.....	9	52145.....	53	55103.....	77
42948.....	25	462-1.....	223	52033.....	9	52146.....	53	55141.....	77
42949.....	25	462-Q.....	223	52034.....	9	52147.....	53	55185.....	77
42952.....	90	46219.....	80	52035.....	9	52150.....	14	55191.....	77
430.....	141	46221.....	80	52036.....	9	52151.....	14	55225.....	210
430-500.....	141	46222.....	80	52037.....	44	52152.....	14	55294.....	251
43036.....	89	46223.....	80	52038.....	44	52154.....	14	55482.....	182
431.....	141	463-1.....	223	52039.....	44	52165.....	241	55494.....	180
43136.....	9, 29	463-Q.....	223	52040.....	44	52176.....	9, 12, 13, 14, 15, 16, 17, 22, 44, 49, 51, 52, 53, 54, 55, 56, 60	55495.....	180
43177.....	77	4717AV.....	222	52041.....	44	52177.....	10, 11, 15, 47, 48, 49	55496.....	180
43178.....	77	4848.....	246, 251	52043.....	12	52178.....	10, 11, 12, 13, 14, 15, 16, 17, 22, 44, 47, 48, 49, 51, 52, 53, 54, 55, 56, 60	55497.....	180
43180.....	78	48520.....	78	52044.....	12	52179.....	10, 11, 12, 13, 14, 15, 16, 17, 22, 44, 47, 48, 49, 51, 52, 53, 54, 55, 56, 60	55498.....	180
43270.....	90	4860.....	246, 251	52045.....	12	52180.....	10, 11, 12, 13, 14, 15, 16, 17, 22, 44, 47, 48, 49, 51, 52, 53, 54, 55, 56, 60	55499.....	180
43369.....	77	4872.....	246, 251	52046.....	12	52191.....	22, 42, 52, 60	55500.....	180
43370.....	77	4872R.....	251	52047.....	12	52192.....	22, 42, 52, 60	55501.....	179
434.....	142	48788.....	14, 21, 26	52048.....	17	521A.....	164	5550C.....	123
435.....	142	488-2.....	104	52049.....	17	521A-R.....	164	555CX.....	122
43973.....	78	488-3.....	104	52050.....	17	52352.....	110	555CX-22.....	122
440AV.....	235, 237, 239	48802.....	14, 21, 26	52051.....	17	53950.....	251	555CXES.....	122
441-2.....	103	48820.....	14, 21, 26	52052.....	17	53951.....	251	555CXRS-22.....	122
441-2-1/2.....	103	48824.....	14, 21, 26	52053.....	16	54167.....	231, 237	555CXRS.....	122
441-3.....	103	489.....	104	52054.....	16	54168.....	231, 237	555ESC.....	123
441-3-1/2.....	103	49138.....	80	52055.....	16	54169.....	25	555RSC.....	123
441-4.....	103	49314.....	72, 74	52056.....	16	54169.....	231, 237, 242	56269.....	182
441-5.....	103	49334.....	85	52057.....	16	54170.....	231, 237, 242	56270.....	137
441-6.....	103	49340.....	27	52058.....	16	54265.....	211	56288.....	48
442AV.....	235, 237, 239	49345.....	27	52059.....	16	54274.....	210, 211	56303.....	175
4435.....	142	49350.....	26	52060.....	16	54295.....	211	56304.....	177
4436.....	142	49355.....	26	52061.....	16	54644.....	177	56305.....	177
4437.....	142	49499.....	85	52062.....	16	54645.....	177	56310.....	176
444.....	100	49532.....	81	52063.....	16	54646.....	177	56323.....	181
4451AV.....	222	49533.....	81	52064.....	16	54647.....	177	56334.....	189
4457AV.....	222	49534.....	81	52065.....	16	54648.....	177	56335.....	189
450.....	106	49550.....	87	52066.....	16	54649.....	177	56336.....	189
451.....	106	49565.....	76	52067.....	16	54650.....	177	56337.....	191
452.....	106	49566.....	76	52068.....	12	54651.....	177	56338.....	193
45206.....	62	49603.....	76	52069.....	12	54652.....	177	56339.....	191
45206.....	174	49782.....	72, 73, 74	52070.....	12	54653.....	177	56340.....	192
45206l.....	62	49830.....	24	52071.....	12	54654.....	177	56347.....	192
45206l.....	195	49913.....	83, 87	52072.....	12	54655.....	177	56348.....	193
45207.....	62	50013.....	57	52073.....	12	54656.....	178	56358.....	96
45207.....	174	50015.....	57	52074.....	11	54657.....	177	56359.....	96
45207l.....	62	50017.....	57	52084.....	11	54658.....	178	5660L.....	247, 251
45207l.....	195	500CA.....	163	52085.....	11			5660LH.....	247, 251
45211.....	62	501.....	163	52086.....	11				
45211.....	174, 195	501R.....	163	52087.....	11				
45212.....	62	501T.....	163	52088.....	11				
45212.....	174, 195	503.....	251, 252	52089.....	10				
45218.....	62	50302.....	128, 130, 131	52090.....	10				
45218.....	174, 195	504.....	110	52091.....	10				
				52092.....	10				
				52101.....	10				

5702.....	167	622.....	140	6810.....	92	745M-16.2.....	233	825-3-1/2.....	214
5710.....	169	623.....	140	6810-22.....	92	745M-20.4.....	233	825-3-1/4.....	214, 217
5713.....	169	624.....	110	683.....	254	745M-25.4.....	233	825-3-3/4.....	214, 217
5715.....	169	624L.....	110	684.....	254, 255	745M-32.5.....	233	825-3-5/8.....	214, 217
5760TD.....	247, 251	624S.....	110	687.....	254	745M-40.5.....	233	825-3/4.....	214, 217
5779.....	167	625-001.....	211	690-15.....	138	745M-50.8.....	233	825-4.....	214
578.....	108	625-002.....	211	690-RM.....	138	745M-64.....	233	825-4-1/2.....	214, 217
578.....	108	625-1-1/2.....	211	690-RT.....	138	746.....	234, 235, 237	825-4-1/4.....	214
5783.....	169	625-1-1/8.....	211	6900.....	94	746 RAM.....	240	825-4-1/8.....	214, 217
5786.....	169	625-1-3/4.....	211	6900-22.....	94	746SS.....	231	825-4-3/4.....	214, 217
579.....	108	625-1-3/8.....	211	6901.....	94	749.....	66	825-4-3/8.....	214
579.....	108	625-1-7/32.....	211	6901-22.....	94	7506.....	230	825-5.....	214
5860.....	248, 251	625-2-1/2.....	211	6906.....	94	755.....	242	825-5-1/2.....	214
5880.....	166	625-3/4.....	211	6906-22.....	94	756.....	22, 60, 61	825-6.....	214
5880-C.....	166	625-7/8.....	211	691.....	139, 140	757.....	22, 60, 65	825-7/8.....	214, 217
5882.....	166	62854.....	69	696.....	128	758.....	22, 60, 65	825B-1.....	214
5882-C.....	166	629.....	110	696.....	251	759.....	22, 60, 62	825B-1-1/4.....	214
5883.....	166	62PTS-1.....	203	697.....	251	759.....	174	825B-1-1/8.....	214
590.....	95	62PTS-11/16.....	203	700C.....	164	760.....	62	825B-1-3/4.....	214
591.....	139	62PTS-13/16.....	203	703.....	251	760.....	174	825B-1-3/8.....	214
592.....	139	62PTS-3/4.....	203	704.....	63	7606SB.....	236	825B-2.....	214
595.....	138, 139, 140	62PTS-5/8.....	203	705.....	63	761.....	61	825B-2-1/2.....	214
597.....	112	62PTS-7/8.....	203	706.....	63	7610SB.....	236	825B-2-1/4.....	214
598.....	112	635.....	211	7060-CFO.....	250	7625.....	236	825B-2-1/8.....	214
599.....	112	639.....	101	709.....	241	7646.....	234	825B-2-3/8.....	214
59F0002.....	162	63RT-1.....	202	70PT-11/16.....	205	7646PG-SB.....	234	825B-2-5/8.....	214
6001.....	93, 97	63RT-7/8.....	202	70PT-13/16.....	205	765.....	67	825B-3.....	214
6001.....	96, 97	640.....	93	70PT-15/16.....	205	767.....	231, 234, 235, 242	825B-3-1/2.....	214
6001-22.....	96, 97	644.....	98	710.....	241	76807.....	51, 58	825B-3-3/4.....	214
6004.....	96, 97	645-001.....	210	711C.....	241	7704SB.....	238	825B-3-5/8.....	214
6005.....	96, 97	645-002.....	210	711M.....	241	7706SB.....	238	825B-3/4.....	214
603.....	251, 252	645-011.....	210	712A100.....	241	773.....	61	825B-4.....	214
60351.....	163	645-022.....	210	712A1000.....	241	774.....	61	825B-4-1/2.....	214
60352.....	163	645-1-1/2.....	210	718.....	63	776.....	65	825B-4-1/4.....	214
60353.....	163	645-1-1/4.....	210	718F.....	63	777.....	130	825B-5.....	214
60354.....	163	645-1-1/8.....	210	718HL.....	64	777E975.....	130	825B-5-1/2.....	214
60355.....	163	645-1-3/4.....	210	71PT-11/16.....	205	777HC755.....	130	825B-6.....	214
60357.....	162	645-1-3/8.....	210	71PT-13/16.....	205	7804E.....	238	825B-7/8.....	214
60358.....	162	645-1-7/32.....	210	71PT-15/16.....	205	7804ESB.....	238	830.....	217
6036.....	102	645-2-1/2.....	210	721-1.....	235, 237, 239	7804ISO.....	238	830Q.....	213
60360.....	162	645-3.....	210	721-1-1/2.....	235, 237, 239	7804SB.....	238	834.....	217
60361.....	162	645-3/4.....	210	721-1-1/4.....	235, 237, 239	7806SB.....	238	835.....	217
60362.....	164	645-7/8.....	210	721-1/2.....	235, 237, 239	7904E.....	238	84299.....	222
60363.....	162	646.....	140	721-2.....	235, 237, 239	7904ESB.....	238	84305.....	222
60364.....	162	647.....	254, 255	721-3/4.....	235, 237, 239	7904ISO.....	238	84511.....	9, 29
60366.....	162	650.....	101	722.....	66	7904SB.....	238	84512.....	9, 18, 29
60367.....	162	651.....	97	725-001.....	215	7906SB.....	238	84513.....	9, 18, 29
6037.....	97	651.....	101	725-1-1/8.....	215	7907SBSP.....	228	84514.....	9
60482.....	162	652.....	101	725-1-3/4.....	215	7908SBSP.....	228	84515.....	9, 18, 29
6072.....	103	653.....	101	725-1-3/8.....	215	796.....	68	847.....	135
608.....	140	655.....	210	725-2.....	215	800.....	68	848.....	135
608-5.....	140	656.....	254	725-2-1/2.....	215	800F1725.....	68	849.....	135
609.....	140	657.....	254, 255	725-3-5/8.....	215	8012.....	101	851.....	135
609-5.....	140	660.....	210	725-4-1/2.....	215	8018.....	101	854DX.....	121
60A-1.....	204	660QA.....	105	725-4-1/8.....	215	802.....	68	855GX.....	120
60A-3/4.....	204	66216.....	162	725-7/8.....	215	802A.....	101	857.....	135
60A-7/8.....	204	668.....	252	727.....	64	8060 DLX.....	251	859-4.....	136
61/62PTS-1-1/4.....	203	66PT-1.....	203	727-INS.....	194	8060-DLX.....	249	860-1-1/2.....	134
61/62PTS-1-1/8.....	203	66PT-1-1/4.....	203	727M.....	64	825-1.....	214, 217	860-3.....	134
610.....	95	66PT-1-1/8.....	203	7304SP.....	228	825-1-1/2.....	214, 217	860-4.....	134
610.....	140	66PT-1/2.....	203	7306SB.....	234	825-1-1/4.....	214	861.....	136
610-5.....	140	66PT-11/16.....	203	7307.....	230	825-1-1/8.....	214, 217	862.....	136
611.....	140	66PT-13/16.....	203	7308.....	230	825-1-3/4.....	214, 217	864.....	136
611-3.....	140	66PT-15/16.....	203	7310SB.....	234	825-1-3/8.....	214, 217	865.....	136
612.....	140	66PT-3/4.....	203	7310SBSP.....	228	825-1-5/16.....	214	866.....	222
612-2.....	140	66PT-5/8.....	203	73420.....	160	825-1-5/8.....	214	86786.....	164
613.....	140	66PT-7/8.....	203	740H-1-7/32.....	233	825-1-7/16.....	214	86787.....	164
614.....	140	66RT-1.....	202	744.....	230	825-1-7/8.....	214, 217	86788.....	164
615.....	140	66RT-7/8.....	202	745H-1.....	233	825-11/16.....	214	868.....	222
616.....	140	66TF-11/16.....	72, 73	745H-1-1/2.....	233	825-2.....	214, 217	870.....	222
617.....	140	66TF-11/16.....	204	745H-1-1/4.....	233	825-2-1/2.....	214, 217	87073.....	166
618.....	138, 139, 140	66TF-13/16.....	72, 73	745H-1/2.....	233	825-2-1/4.....	214, 217	87514.....	18, 29
619.....	138, 139, 140	66TF-13/16.....	204	745H-2.....	233	825-2-1/8.....	214	881-MBT.....	129
61PTS-1.....	203	66TF-15/16.....	72, 73	745H-2-1/2.....	233	825-2-3/4.....	214	881CT.....	127
61PTS-3/4.....	203	66TF-15/16.....	204	745H-3.....	233	825-2-3/8.....	214, 217	881CTD.....	127
61PTS-5/8.....	203	66TF-9/16.....	72, 73	745H-3-1/2.....	233	825-2-5/8.....	214	881CTDE980.....	127
61PTS-7/8.....	203	66TF-9/16.....	204	745H-3/4.....	233	825-2-7/8.....	214	881CTE980.....	127
621.....	140	678.....	108	745H-4.....	233	825-3.....	214, 217	884.....	131

884.....	131	9953-13.....	176	89806.....	127
884E980.....	131	9953-14.....	176	89913.....	168
884PVC.....	132	9953-15.....	176	89914.....	162
884PVC.....	131	84512.....	7, 15, 26	901-12.....	199
885.....	131	84513.....	7, 15, 26	902-18.....	199
885.....	131	84514.....	7	902-24.....	199
885E980.....	131	84515.....	7, 15, 26	904-5-1/2.....	199
889.....	217	847.....	126	904H-12.....	199
890.....	217	848.....	126	904H-18.....	199
891.....	217	849.....	126	904H-24.....	199
89187.....	181	851.....	126	904H2-5-1/2.....	200
89189.....	251	855GX.....	114	925-001.....	206
89197.....	181	857.....	126	925-002.....	206
89205.....	190	859-4.....	127	925-011.....	206
89213.....	178	860-1-1/2.....	125	925-022.....	206
89218.....	176	860-3.....	125	925-1-1/8.....	206
89219.....	176	860-4.....	125	925-1-3/4.....	206
89249.....	178	861.....	127	925-1-3/8.....	206
89250.....	170	862.....	127	925-1-5/16.....	206
89251.....	172	864.....	127	925-1-7/32.....	206
89252.....	172	865.....	127	925-2.....	206
89253.....	172	866.....	216	925-2-1/2.....	206
89254.....	171	86786.....	156	925-7/8.....	206
89255.....	171	86787.....	156	930.....	206
89256.....	171	86788.....	156	95930.....	167
89257.....	171	868.....	216	95933.....	168
89258.....	171	86999.....	157	975.....	124
89259.....	173	870.....	216	9753-12C.....	170
89260.....	173	87073.....	158	9753-13C.....	170
89262.....	170	87121.....	157	980.....	124
89263.....	170	87514.....	15, 26	980-22.....	124
89264.....	170	881-MBT.....	120	980-22PS.....	124
89266.....	186	881CT.....	118	9858-11.....	186
89267.....	182	881CTD.....	118	9858-12.....	187
89268.....	180	881CTDE980.....	118	9858-15.....	192
89269.....	180	881CTE980.....	118	9952-11.....	177
89270.....	180	884.....	122	9953-13.....	168
89271.....	180	884E980.....	122	9953-14.....	168
89272.....	180	884PVC.....	122	9953-15.....	168
89273.....	180	885.....	122	990.....	68
89275.....	179	885E980.....	122		
89291.....	179	889.....	211		
89292.....	179	890.....	211		
89293.....	179	891.....	211		
89800.....	104	89187.....	175		
89806.....	136	89197.....	175		
89913.....	176	89205.....	184		
901-12.....	205	89213.....	170		
902-18.....	205	89218.....	168		
902-24.....	205	89219.....	168		
904H-12.....	205	89249.....	170		
904H-18.....	205	89250.....	162		
904H-24.....	205	89251.....	164		
904H2-5-1/2.....	206	89252.....	164		
925-001.....	212	89253.....	164		
925-011.....	212	89254.....	163		
925-022.....	212	89255.....	163		
925-1-1/8.....	212	89256.....	163		
925-1-3/4.....	212	89258.....	163		
925-1-3/8.....	212	89259.....	165		
925-1-7/32.....	212	89260.....	165		
925-2.....	212	89262.....	162		
925-2-1/2.....	212	89263.....	162		
925-7/8.....	212	89264.....	162		
930.....	212	89265.....	162		
95930.....	175	89266.....	180		
95933.....	176	89267.....	176		
975.....	133	89268.....	174		
9753-12C.....	178	89269.....	174		
9753-13C.....	178	89270.....	174		
980.....	133	89271.....	174		
980-22.....	133	89272.....	174		
980-22PS.....	133	89273.....	174		
9858-11.....	192	89275.....	173		
9858-12.....	193	89291.....	173		
9858-15.....	198	89292.....	173		
990.....	73	89293.....	173		
9952-11.....	183	89800.....	98		

N = NEW PRODUCT

R = REPLACEMENT PART

A = ACCESSORY

B = BARE TOOL



INDEX

Index

N = NEW PRODUCT

R = REPLACEMENT PART

A = ACCESSORY

B = BARE TOOL



INDEX

Index

INDEX

LIFETIME WARRANTY



Greenlee Textron Inc. warrants to the original purchaser of these goods for use, that these products will be free from defects in workmanship and material for their useful life, excepting normal wear and abuse. This warranty is subject to the same terms and conditions contained in Greenlee Textron Inc.'s standard one-year limited warranty.

See below for information regarding product returns.

Greenlee Textron Inc. extends the following warranty to the original purchaser of these goods for use, subject to the qualifications indicated. Greenlee Textron Inc. warrants to the original purchaser for use that the products sold by it will be free from defects in workmanship and material for a period of one year (three years for Gator® battery-powered and corded tools, not including batteries) from the date of purchase, provided such goods are installed, operated, maintained, and used in accordance with Greenlee Textron Inc.'s written instructions.

Ordinary wear and tear, and damage from abuse, neglect or alterations are not covered by this warranty. This warranty is null and void if instructions and operating procedures are not followed.

Greenlee Textron Inc.'s sole liability and purchaser's sole remedy for a failure of goods under this limited warranty, and for any and all claims arising out of the purchase and use of the goods, shall be limited to the repair or replacement of the goods that do not conform to this warranty, and shall be in lieu of any other liability or remedy, including, without limitation, any causes of action in negligence and strict liability.

To obtain repair or replacement service under this limited warranty, the purchaser must return the product to a Greenlee Authorized Service Center, transportation prepaid. Do not send any warranty/repair product directly to Greenlee, as it will be returned to the sender. Only test instruments will be warranted, repaired, replaced, or calibrated at Greenlee with prior authorization.

Tools found defective will be replaced or repaired at no charge and returned. There are no express warranties covering these goods other than as set forth above. The implied warranties of merchantability and fitness for a particular purpose are specifically excluded. Greenlee Textron Inc. assumes no liability in connection with the installation or use of this product, except as stated in this limited warranty. **Greenlee Textron Inc. will in no event be liable for incidental or consequential damages.**

This limited warranty gives you specific legal rights, and you may also have other rights which vary from state to state. Some states do not allow either limitations on implied warranties, or exclusions from incidental or consequential damages, so the above limitation and exclusion may not apply to you.

Any questions pertaining to this limited warranty should be addressed to:
Greenlee / A Textron Company
4411 Boeing Drive, Rockford, IL 61109-2988 USA

Greenlee Textron Inc. has elected not to make available the informal dispute settlement mechanism which is specified in the Magnuson-Moss Warranty Act.

Note: Rental units and demonstrators used for income producing purposes are warranted for 90 days. Rental units and demonstrators which are resold are not covered under warranty by Greenlee Textron Inc. Any warranty, whether expressed or implied, rests solely with the seller.

Lifetime Limited Warranty on Greenlee Electrical Test Instruments, Hand Benders, select Hand Tools and Paladin® branded items.

Greenlee Textron Inc. warrants to the original purchaser of these goods for use that these products will be free from defects in workmanship and material for their useful life, excepting normal wear and abuse. This warranty is subject to the same terms and conditions contained in Greenlee Textron Inc.'s standard one year limited warranty.

Greenlee Electrical Test Instrument Repair and Calibration

For all Greenlee Electrical Test Instrument repairs, contact Customer Service at 1-800-435-0786 and request a return authorization. An approved Authorization including shipping label and instructions will be sent.

For items not covered under warranty (such as items dropped, abused, etc.), a repair cost quote is available upon request.

Note: Prior to returning any test instrument, please check replaceable batteries or make sure the battery is at full charge.

Many end user customers require assurance of product performance. Proof of accuracy and precision of an instrument is often required. This requirement may be a result of ISO procedures or customer quality audit requirements. Greenlee Textron Inc. can provide calibration service for specifically marked hand-held electrical test equipment. Calibration assures the customer that the instrument has been checked and/or calibrated using equipment that is checked and calibrated to standards that are traceable to the National Institute for Standards and Technology (NIST). Products currently included are all clamp meters, professional series digital multimeters and megohmmeters. A certificate will be provided.

To obtain this calibration service, call Customer Service at 1-800-435-0786 and request a return authorization.



GREENLEE®

UTILITY

A Textron Company

FOR PRODUCT VIDEOS, DEMONSTRATIONS
AND MORE, SCAN THIS QR CODE OR VISIT:
www.youtube.com/GreenleeDEMO

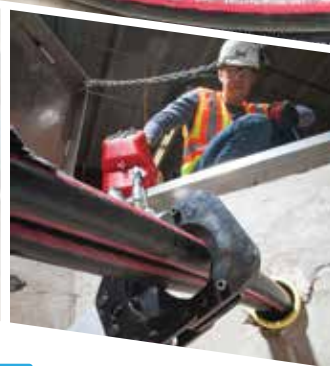


NEED MORE INFORMATION?

USA PHONE 800.435.0786
FAX 800.451.2632

CANADA PHONE 866.384.8813
FAX 800.524.2853

INT'L PHONE +1.815.397.7070
FAX +1.815.397.9247



www.greenlee.com MA-5342 rev. 08/15
4455 Boeing Drive • Rockford, IL 61109-2988 • USA • 815-397-7070
©2015 Greenlee Textron Inc. • An ISO 9001 Company • Printed in USA
Greenlee Textron Inc. is a subsidiary of Textron Inc.