

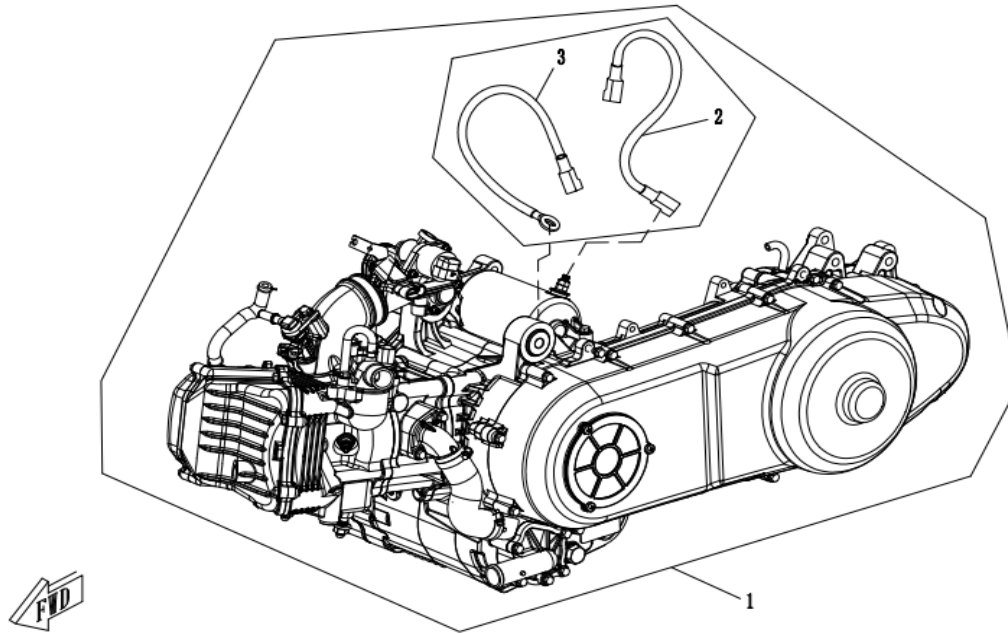
CATALOG

- E00 ENGINE ASSY
- E01 LEFT CRANKCASE ASSY
- E02RIGHT CRANKCASE ASSY
- E03RIGHT CRANKCASE COVER ASSY
- E04 LEFT CRANKCASE COVER ASSY
- E05 CYLINDER HEAD COVER ASSY
- E06 CYLINDER HEAD ASSY
- E07 CYLINDER ASSY
- E08 CAMSHAFT & TIMING CHAIN ASSY
- E09 MAGNETO & MOTOR STARTING ASSY
- E10 CRANKSHAFT, CONNESTING ROD & PISTON ASSY
- E11 CONTINUOUSLY VARIABLE TRANSMISSION
- E12 GEARBOX ASSY
- E13 OIL PUMP ASSY
- E14 WATER PUMP ASSY
- E15 THROTTLE & INTAKE MANIFOLD ASSY

REMAR 1.if one part has both NXW1 and QXW1 .NXW1 is for 300cc
K: version .QXW1 is for 400cc version. 2.if the part only has one
part NO. then 300cc and 400cc share the parts.

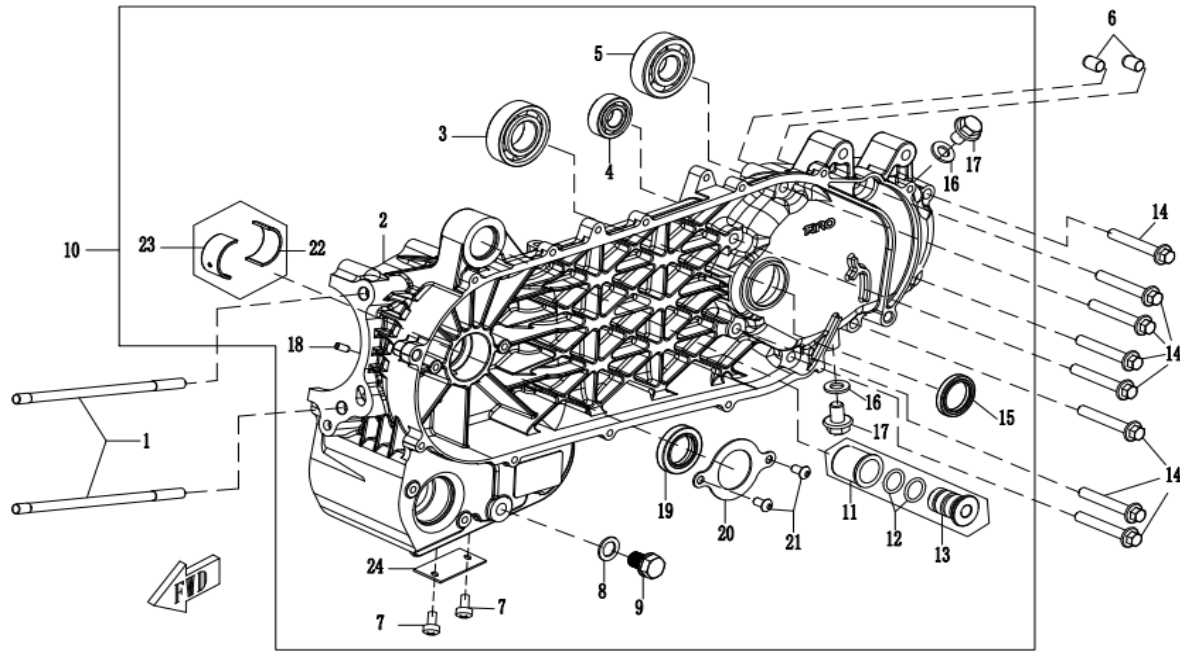
PLS use Part No. to order parts

E00 ENGINFE ASSY



ITEM NO.	DRAWING NO.	PART NO.	DESCRIPTION	QTY
1	1P73MN-00000	00000-NXW1	Engine Assy	1
2	1P73MN-32410	32410-NXW1	Cable starter Motor	1
3	1P73MN-32420	32420-NXW1	Cable Earth	1

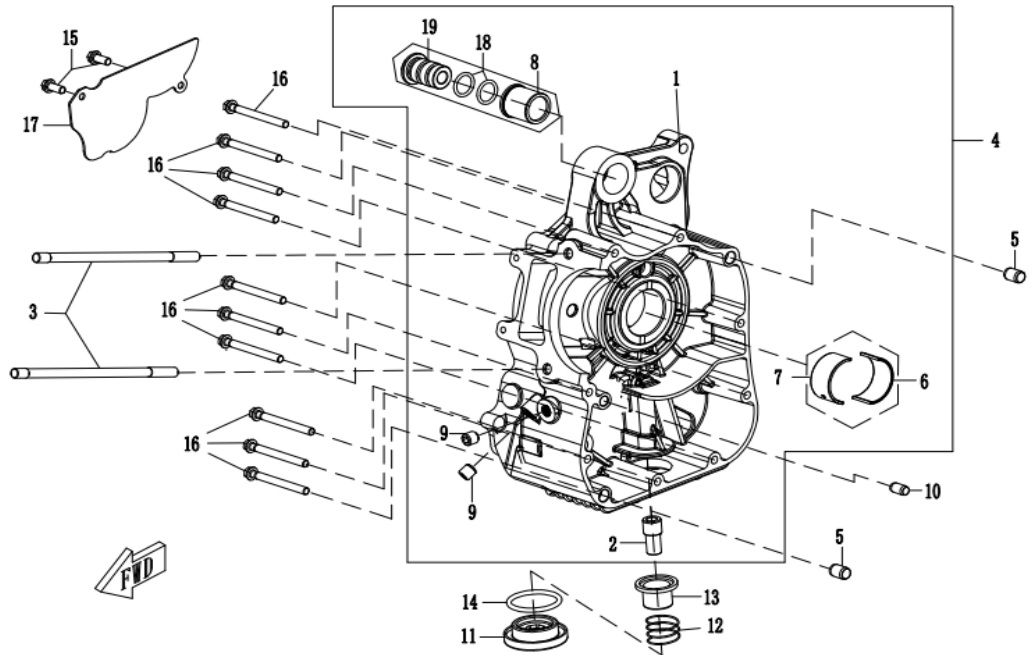
EO1 LEFT CRANKCASE ASSY



ITEM NO.	DRAWING NO.	PART NO.	DESCRIPTION	QTY
1	1P73MN-90001/M8*172-10.9	90001-08172-3FH	Stud (L) M8X172-10.9	2
2	1P83MQ-11211	11211-QXW1	Left Crankshaft Box	1
3	GB/T276-1994/6205-P5	97001-62050-5	Bearing 6205/P5	1
4	GB/T276-1994/6202-P53	97001-62020-5C3	Bearing 6202/P53	1
5	GB/T276-1994/6304-P5	97001-63040-5	Bearing 6304/P5	1
6	1P73MN-95011/10*14	95011-10014	Dowel Pin ^10X14	2
7	GB/T818-2000/M6*12	92501-06012	Bolt M6X12	2
8	1P73MN-94001/12.3*20*1.5	94001-12202-0CT	Washer (Copper) 12.3X20X1.5	1
9	1P73MN-92013/M12*1.75*20	92013-12020-00018	Drain Plug M12X1.75X20	1
10		112A0-QXW1	Crankshaft Box Set, LH	1
11	1P73MN-11122	1U22-NXW1	Outer Sleeve	1
12	1P73MN-96201/15.8*2.4	96201-16002-0DJ	O-Ring 15.8X2.4	2
13	1P73MN-11121	1U21-NXW1	Inner Sleeve	1
14	1P73MN-920U/M8*55-8.8	92011-08055-1	Bolt M8X55-8.8	8

15	1P73MN-96002/25*35*5	96002-25355	Oil Seal 25X35X5	1
16	1P73MN-94001/10. 2*17*1. 5	94001-10172	Washer (Copper) 10. 2X17X1. 5	2
17	1P73MN-92013/M10*!. 25*12	92013-10012-00013	Drain Plug M10X1. 25X12	2
18	1P73MN-11213	U213-NXW1	Oil Jet	1
19	1P73MN-96002/25*40*8	96002-25408	Oil Seal 25X40X8	1
20	1P73MN-11214	11214-NXW1-0CX	Clamping Plate, Oil Seal	1
21	GB/T70. 2-2000/M6*12	92402-06012	Bolt M6X12	2
22	1P73MN-11262	11262-NXW1	Lower Insert, LH	1
23	1P73MN-11261	11261-NXW1	Upper Insert, LH	1
24	1P73MN-11205	11205-NXW1-0CX	Iron plate	1

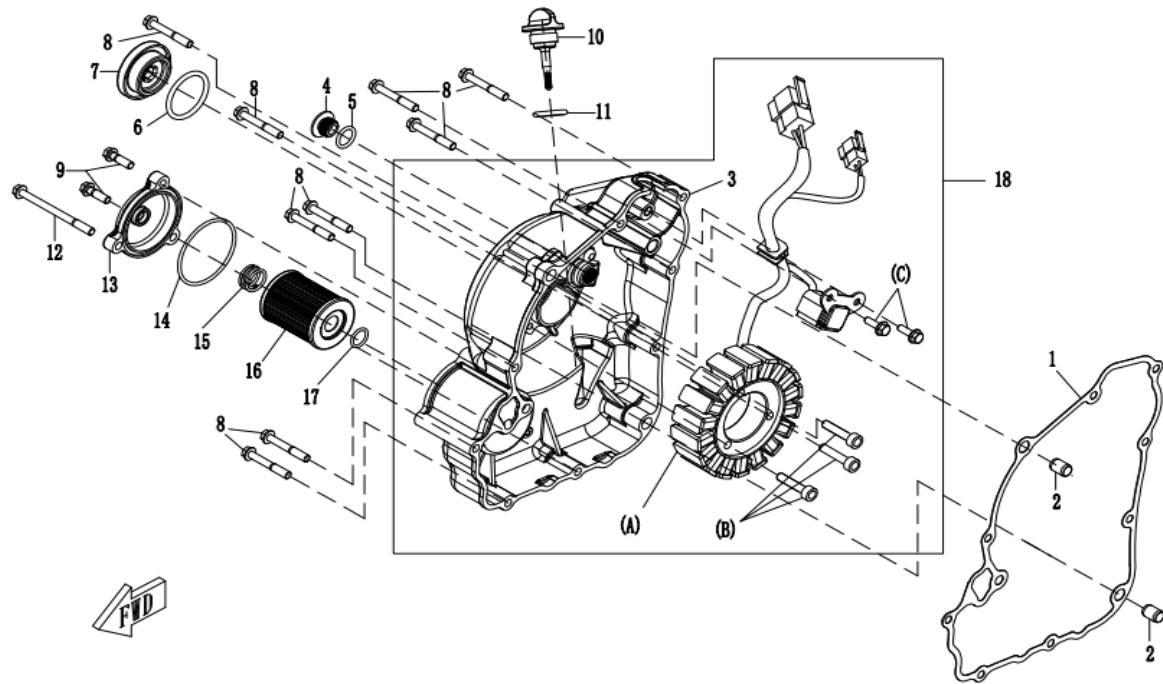
E02 RIGHT CRANKCASE ASSY



ITEM NO.	DRAWING NO.	PART NO.	DESCRIPTION	QTY
1	1P83MQ-11111	11111-QXW1	Right Crankshaft Box	1
2	1P73MN-11114	11114-NXW1	Inlet Pipe	1
3	1P73MN-90001/M8*172-10. 9	90001-08172-3FH	Stud (L) M8X 172-10. 9	2

4		111A0-QXW1	Crankshaft Box Set, RH	1
5	1P73MN-95011/10*14	95011-10014	Dowel Pin © 10X14	2
6	1P73MN-11161	11161-NXW1	Upper Insert, RH	1
7	1P73MN-11162	11162-NXW1	Lower Insert, RH	1
8	1P73MN-11122	11122-NXW1	Outer Sleeve	1
9	1P73MN-90402/R1/8*10	90402-02010-0000R	Bolt R1/8X10	2
10	1P73MN-95011/8*14	95011-08014	Dowel Pin 4)8X14	1
11	1P73MN-11104	11104-NXW1	Cover, Primary Filter	1
12	1P73MN-15322	15322-NXW1	Spring	1
13	1P73MN-15321	15321-NXW1	Gauze Set	1
14	1P73MN-96201/35*3.5	96201-35004-0FJ	O-Ring 35X3.5	1
15	1P73MN-92013/M6*14-8.8	92013-06014-1	Bolt M6X14-8.8	2
16	1P73MN-920U/M6*60-8.8	92011-06060-1	Bolt M6X60-8.8	10
17	1P73MN-11102	1U02-NXW1	Clamping Plate	1
18	1P73MN-96201/15.8*2.4	96201-16002-0DJ	O-Ring 15.8X2.4	2
19	1P73MN-11121	11121-NXW1	Inner Sleeve	1

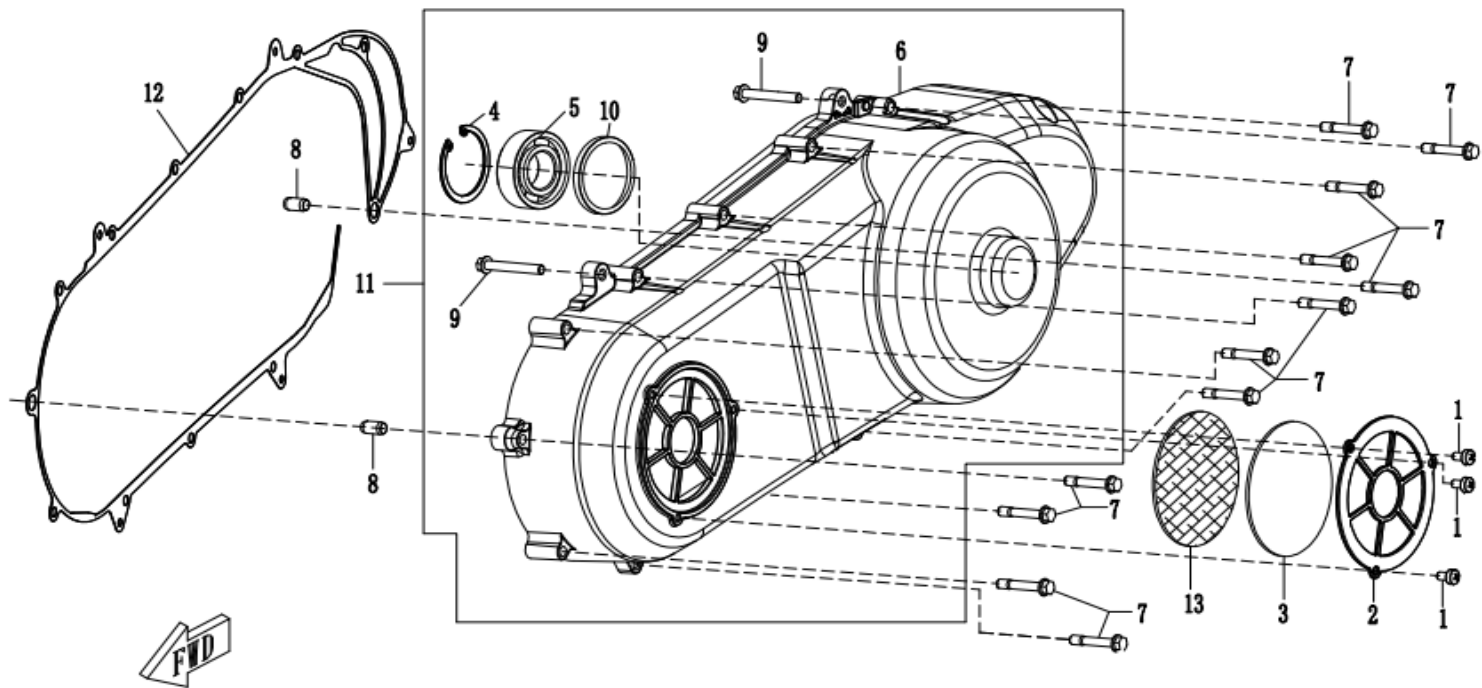
E03 RIGHT CRANKCASE COVER ASSY



ITEM NO.	DRAWING NO.	PART NO.	DESCRIPTION	QTY
1	1P73MN-11301	11301-NXW1	Gasket, Crankcase Cover, RH Gasket, A	1
2	1P73MN-95011/10*14	95011-10014	Dowel Pin 10X14	2
3	1P73MN-11311	11311-NXW1	Right Crankcase Cover	1
4	1P73MN-11302	11302-NXW1	Cover, View-Window	1
5	1P73MN-96201/13*2.7	96201-13003-0FJ	O-Ring 13X2.7	1
6	1P73MN-96201/35*3.5	96201-35004-0FJ	O-Ring 35X3.5	1
7	1P73MN-11104	11104-NXW1	Cover, Primary Filter	1
8	1P73MN-92011/M6*40-8.8	92011-06040-1	Bolt M6X40-8.8	9
9	1P73MN-92013/M6*22-8.8	92013-06022-1	Bolt M6X22-8.8	2
10	1P73MN-15401	15401-NXW1	Dipstick	1
11	1P73MN-96201/18*3.55	96201-18004-0DJ	O-Ring 18X3.55	1
12	1P73MN-92011/M6*80-8.8	92011-06080-1	Bolt M6X80-8.8	1
13	1P73MN-11304	U304-NXW1	Cover, Element	1
14	1P73MN-96201/53.6*2.4	96201-54002-0DJ	O-Ring 53.6X2.4	1

15	1P73MN-15312	15312-NXW1	Spring	1
16	1P73MN-15311	15311-NXW1	Filter Element Set	1
17	1P73MN-962O1/13*2	96201-13002-0FJ	O-Ring 13X2	1
18	1P73MN-113B0	113B0-NXW1	Right Crankcase Cover & Stator, Set	1
(A)	1P73MN-311A0	311A0-NXW1	Stator Set, Magneto	1
(B)	GB/T70. 1-2000/M6*30-8.8	92401-06030-1	Bolt M6X30-8.8	3
(c)	GB/T16674. 1-2004/M5*16-8. 8	92013-05016-1	Bolt M5X16-8.8	2

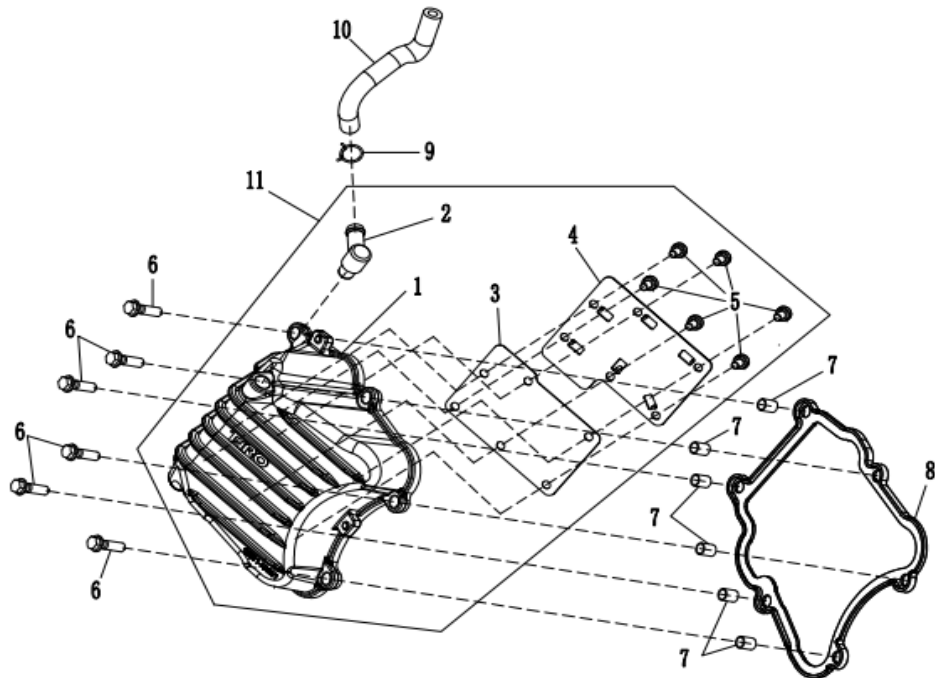
E04 LEFT CRANKCASE COVER ASSY



ITEM NO.	DRAWING NO.	PART NO.	DESCRIPTION	QTY
1	GB/T818-2000/M5*12	92501-05012	Bolt M5X12	3
2	1P73MN-11443	11443-NXW1	Guide Element	1
3	1P73MN-11442	11442-NXW1	Sponge	1
4	GB/T893. 1-1986/47	94302-00472-0FH	Circlip 47	1
5	GB/T276-1994/6005-2RSP53	97002-60050-5C32R	Bearing 6005-2RS/P53	1

6	1P73MN-11411	11411-NXW1	Left Crankcase Cover	1
7	1P73MN-92011/M6*35-8.8	92011-06035-1	Bolt M6X35-8.8	12
8	1P73MN-95011/8*14	95011-08014	Dowel Pin ©8X14	2
9	1P73MN-92013/M6*40-8.8	92013-06040-1	Bolt M6X40-8.8 (ALL)	2
10	1P73MN-94102/46*40*0.5	94102-40461-0FH	Elastic washer 46*40*0.5	1
11	1P73MN-114A0	U4A0-NXW1	Crankcase Cover Set, LH	1
12	1P73MN-11401	11401-NXW1 11401-NXW1-00001	Gasket, Left Crankcase Cover Gasket, Asbestos, Left Crankcase Cover	1
13	1P73MN-11444	11444-NXW1	Protective Net	1

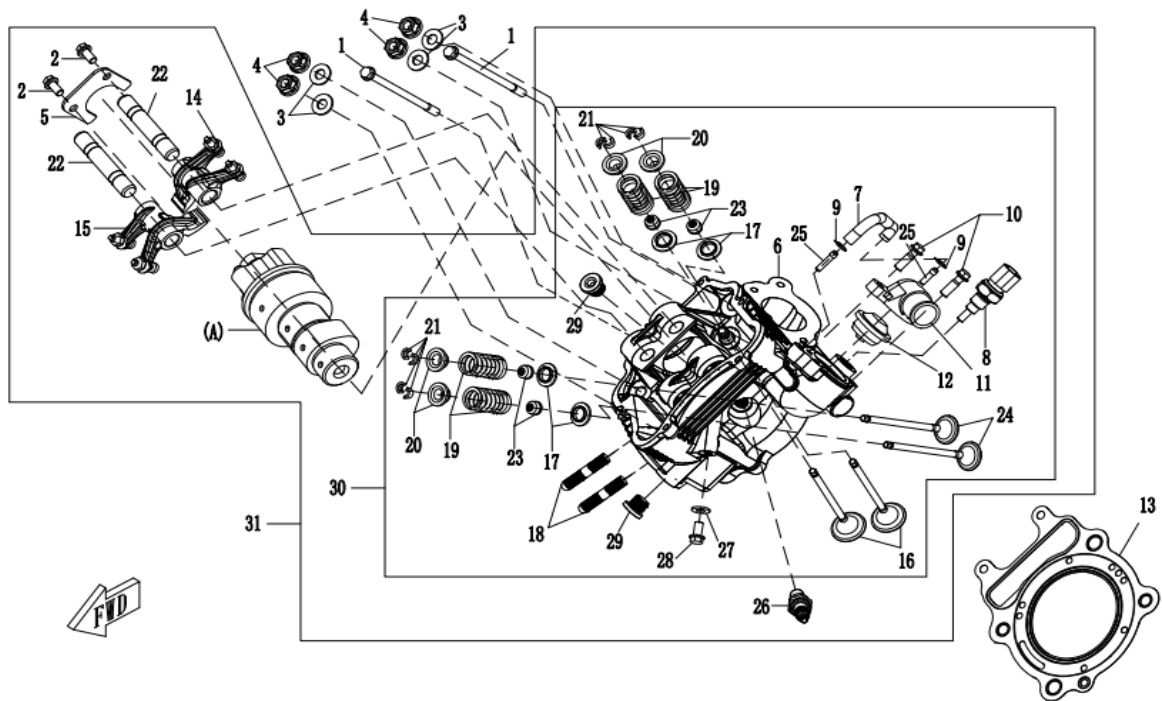
E05 CYLINDER HEAD COVER ASSY



ITEM NO.	DRAWING NO.	PART NO.	DESCRIPTION	QTY
1	1P83MQ-12311	12311-QXW1	Cylinder Head Cover	1
2	1P83MQ-12312	12312-QXW1	Breather	1
3	1P83MQ-12314	12314-QXW1 12314-QX	Gasket Gasket, Asbestos	1

4	1P83MQ-12313	12313-QXW1	Plate, Breather	1
5	GB/T 818-2000/M5*6	92501-05006	Bolt (Phil, Pan HD) M5X6	6
6	1P73MN-92013/M6*20-8.8	92013-06020-1	Bolt M6X20-8.8	6
7	1P73MN-91201/6*10	91201-06101	Bushing 6*10	6
8	1P73MN-12301	12301-NXW1-0FJ	Gasket, Cylinder Head Cover	1
9	QC/T621-1999/A12	91801-12000	Clip A12	1
10	1P73MN-12303	12303-NXW1	Snorkel	1
11		123A0-QXW1	Cylinder Head Cover, Assy	1

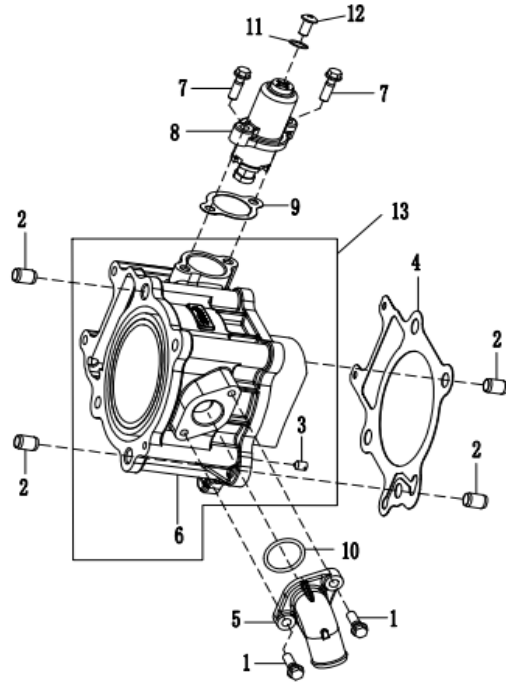
E06 CYLINDER HEAD ASSY



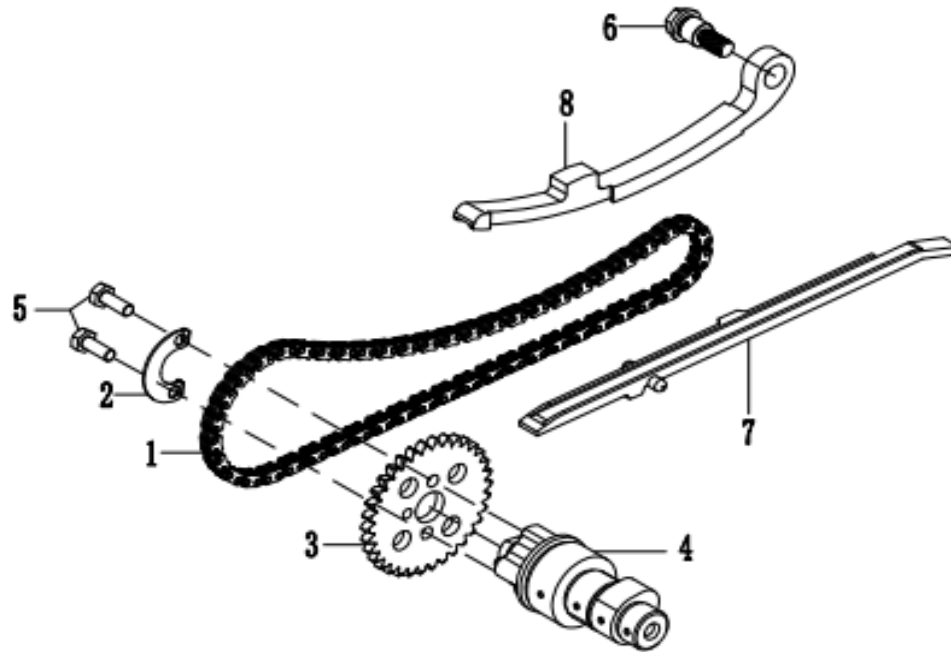
ITEM NO.	DRAWING NO.	PART NO.	DESCRIPTION	QTY
1	1P73MN-920U/M6*100-8.8	92011-06100-1CX	Bolt M6X100-8.8	2
2	1P73MN-92013/M6*12-8.8	92013-06012-1CX	Bolt M6X12-8.8	2
3	1P73MN-94001/8.2*15*1.5	94001-08152-0CT	Washer (Copper) 8.2X15X1.5	4
4	1P73MN-93012/M8-10	93012-08000-2	Nut M8-8	4

5	1P73MN-14101	14101-NXW1	Locating Plate, Camshaft	1
6	1P73MN-12210	12210-NXW1	Cylinder Head Unit	1
7	1P73MN-19404	19404-NXW1	Water Pipe, Small Cycle	1
8	1P73MN-19510	19510-NXW1	Water Thermometer Sensor	1
9	QC/T621-1999/A7	91801-07000	Clip A7	2
10	1P74MN-92013/M6*20-8.8	92013-06020-1	Bolt M6X20-8.8	2
11	1P73MN-19411	19411-NXW1	Outlet Pipe, Engine	1
12	1P73MN-19420	19420-NXW1	Thermostat Assy	1
13	1P73MN-12221	12221-NXW1	Gasket, Cylinder Head	1
14	1P73MN-143B0	143B0-NXW1	Rocker Arm Set, Intake Valve	1
15	1P73MN-143A0	143A0-NXW1	Rocker Arm Set, Exhaust Valve	1
16	1P73MN-14721	14721-NXW1	Intake Valve	2
17	1P73MN-14712	14712-NXW1	Seat, Valve Spring, Lower	4
18	1P73MN-90002/M8*42-10.9	90002-08042-2	Stud M8X42-10.9	2
19	1P73MN-14713	14713-NXW1	Valve Spring	4
20	1P73MN-14715	14715-NXW1	Seat, Valve Spring, Upper	4
21	1P73MN-14716	14716-NXW1	Split Cone, Valve	8
22	1P73MN-14411	14411-NXW1	Shaft, Rocker Arm	2
23	1P73MN-14790	14790-NXW1	Valve Stem Seal 5	4
24	1P73MN-14711	14711-NXW1	Exhaust Valve	2
25	1P73MN-19412	19412-NXW1	Union, Pipe, Small Cycle	1
26	1P73MN-91901/10199	91901-10199-ORP	Spark CR7E	1
27	1P73MN-94001/6.2*11*1.5	94001-06112-OCT	Washer (Copper) 6.2X11X1.5	1
28	1P73MN-92013/M6*10-8.8	92013-06010-1	Bolt M6X10-8.8	1
29	1P73MN-12202	12202-NXW1	Plug M12X1	2
30		122B0-NXW1	Cylinder Head Set /B	1
31		122A0-NXW1	Cylinder Head Set	1
(A)	1P73MN-14110	14110-NXW1	Camshaft Unit	1

E07 CYLINDER ASSY

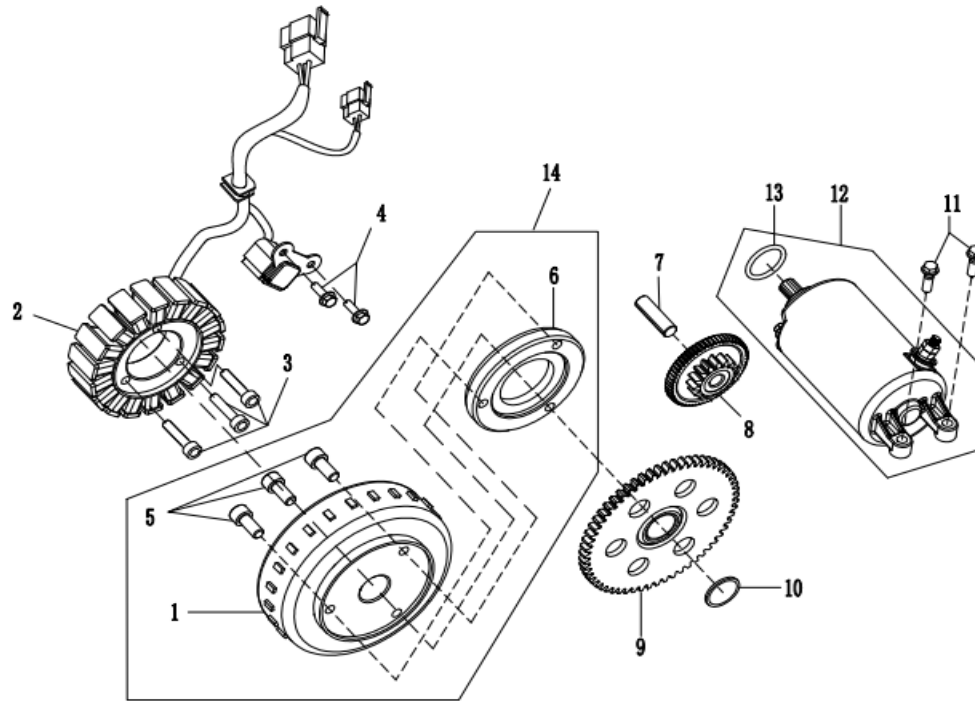


ITEM NO.	DRAWING NO.	PART NO.	DESCRIPTION	QTY
1	1P73MN-92013/M6*22-8.8	92013-06022-1	Bolt M6X22-8.8	2
2	1P73MN-95011/10*14	95011-10014	Dowel Pin φ10X14	4
3	1P73MN-12103	12103-NXW1	Oil Jet	1
4	1P73MN-12101	12101-NXW1 12101-NXW1-00001	Gasket, Cylinder Gasket, Asbestos, Cylinder	1
5	1P73MN-19431	19431-NXW1	Inlet Pipe, Eengine	1
6	1P73MN-12U0	12110-NXW1	Cylinder Unit	1
7	1P73MN-92013/M6*22-8.8	92013-06022-1	Bolt M6X22-8.8	2
8	1P73MN-14520	14520-NXW1	Tensioner Unit	1
9	1P73MN-14502	14502-NXW1 14502-NXW1-00001	Gasket, Tensioner Gasket, Asbestos, Tensioner	1
10	1P73MN-96201/24*2.5	96201-24003-0FJ	O-Ring 24X2.5	1
11	1P73MN-96201/8*1.5	96201-08002-0DJ	O-Ring 8X1.5	1
12	1P73MN-90401/M6*8	90401-06008	Bolt M6X8	1

E08 CAMSHAFT 86 TIMING CHAIN ASSY

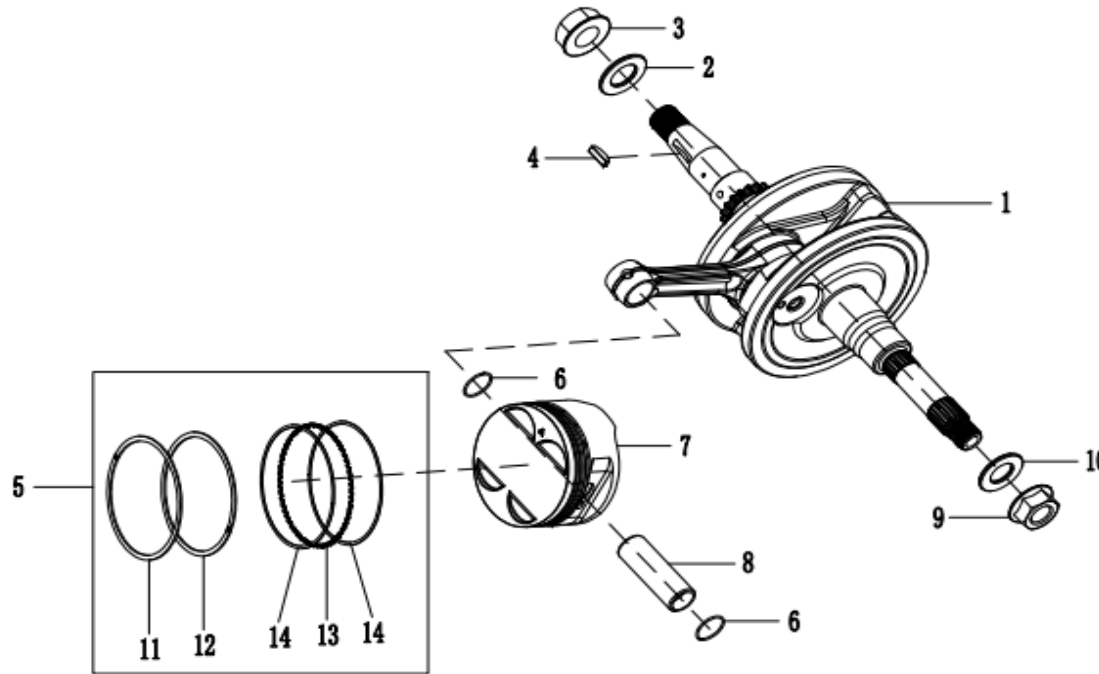
ITEM NO.	DRAWING NO.	PART NO.	DESCRIPTION	QTY
1	1P73MN-14540	14540-NXW1	Chain Unit, Timing	1
2	1P73MN-14102	14102-NXW1	Lock Clamping Plate	1
3	1P73MN-14501	14501-NXW1	Timing Driven Sprocket	1
4	1P73MN-14110	14110-NXW1	Camshaft Unit	1
5	GB/T5783-2004/M6*16-10.9	92003-06016-2FH	Bolt M6X16-10. 9	2
6	1P73MN-90102/M8	90102-08012	Bolt M8, Tension Bar	1
7	1P73MN-14530	14530-NXW1	Limiting Plate Unit	1
8	1P73MN-14510	14510-NXW1	Tension Bar Unit	1

E09 MAGNETO & MOTOR STARTING ASSY



ITEM NO.	DRAWING NO.	PART NO.	DESCRIPTION	QTY
1	1P73MN-3111O	31110-NXW1	Rotor Unit, Magneto	1
2	1P73MN-311AO	311A0-NXW1	Stator Set, Magneto	1
3	GB/T70. 1-2000/M6*30-8.8	92401-06030-1	Bolt M6X30	3
4	GB/T16674. 1-2004/M5*16-8. 8	92013-05016-1	Bolt M5X16-8.8	2
5	GB/T70. 1-2000/M8*18-10.9	92401-08018-2FH	Bolt M8X18-10. 9	3
6	1P73MN-2812O	28120-NXW1	Clutch Unit, Starting	1
7	1P73MN-28103	28103-NXW1	Shaft, Dual-Gear	1
8	1P73MN-2813O	28130-NXW1	Dual-Gear Unit	1
9	1P73MN-2811O	28110-NXW1	Gear Unit, Starting	1
10	1P73MN-94001/25*32*2	94001-25322	Adjusting Shim 25X32X2	1
11	1P73MN-92013/M6*22-8. 8	92013-06022-1	Bolt M6X22-8.8	2
12	1P73MN-28200	28200-NXW1	Motor, Starting	1
13	1P73MN-96201/25*3	96201-25003-0DJ	O-Ring 25X3	1
14		311B0-NXW1	Rotor & Clutch, Set	1

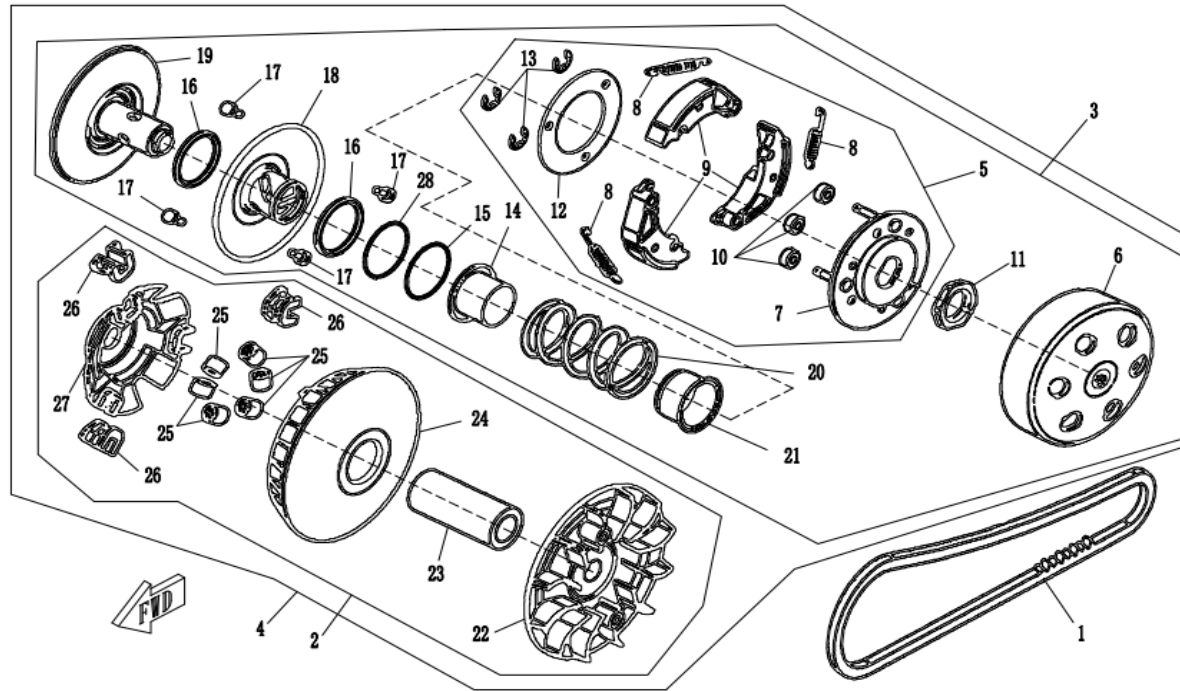
E10 CRANKSHAFT, CONNESTING ROD & PISTON ASSY



ITEM NO.	DRAWING NO.	PART NO.	DESCRIPTION	QTY
1	1P73MN-13200	13200-NXW1	Crank & Connecting Rod Unit	1
2	1P73MN-94001/16.3*30*2	94001-16302	Washer 16.3X30X2	1
3	1P73MN-93011/M16*1-8	93011-16000-10010	Nut M16X1-8	1
4	1P73MN-13001	13001-NXW1	Woodruff Key	1
5		131A0-NXW1	Ring Set, Piston	1
6	1P73MN-13103	13103-NXW1	Circlip, Piston Pin	2
7	1P73MN-13101	13101-NXW1	Piston	1
8	1P73MN-13102	13102-NXW1	Pin, Piston	1
9	1P73MN-93012/M14*1.5-8	93012-14000-10015	Nut M14X1.5-8	1
10	1P73MN-94001/14.3*28*2	94001-14282	Washer 14.3X28X2	1
11	1P73MN-13105	13105-NXW1	Compression Ring, N01	1
12	1P73MN-13106	13106-NXW1	Compression Ring, N02	1

13	1P73MN-13112	13112-NXW1	Waveform Spring Oil Ring	1
14	1P73MN-13111	13111-NXW1	Scrape Ring	2

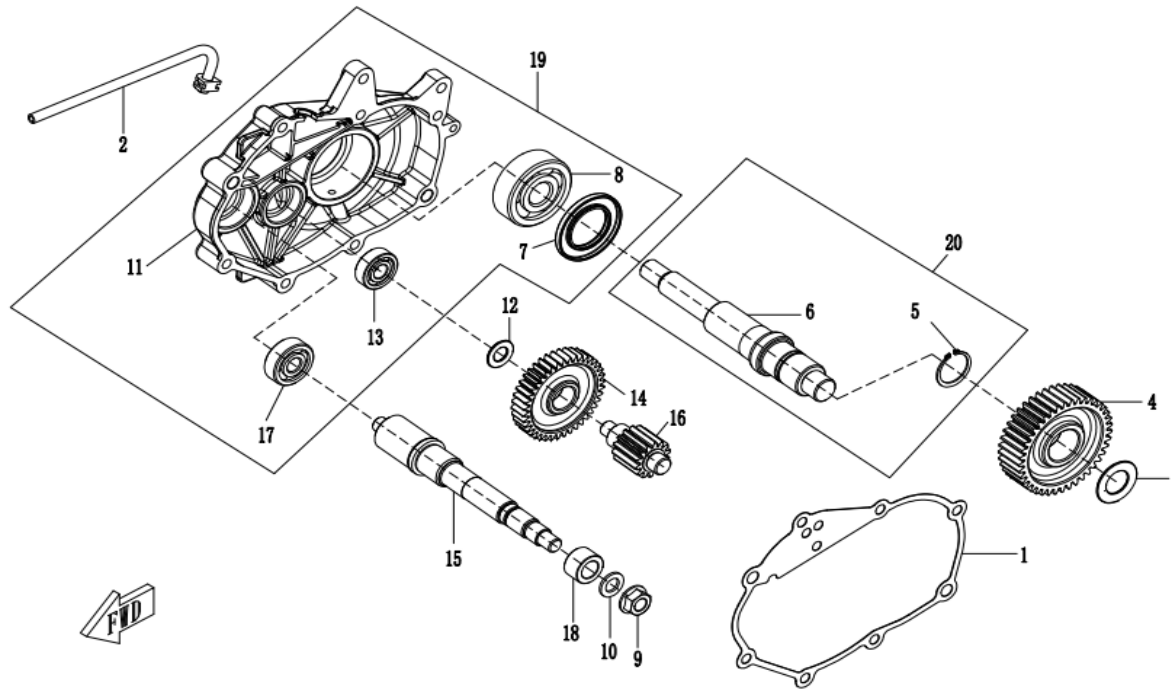
EII CVT CONTINUOUSLY VARIABLE TRANSMISSION



ITEM NO.	DRAWING NO.	PART NO.	DESCRIPTION	QTY
1	1P73MN-23201	23201-NXW1-00002	V-Belt	1
		23201-NXW1-00001	V-Belt	1
2	1P73MN-23210	23210-NXW1	Drive Wheel Assy	1
3	1P73MN-23220	23220-NXW1	Driven Wheel Assy	1
4		232A0-NXW1	Drive & Driven, Set	1
5		232C0-NXW1	Plate Assy Drive	1
6		23221-NXW1	Gutter Clutch	1
7		23223-NXW1	Plate Comp Drive	1
8		23225-NXW1	Spring Clutch	3
9		23224-NXW1	Weight Clutch	3

10		23226-NXW1	Rubber Clutch Damper	3
				5
11		93002-36005-00015	Nut Special M36X1. 5-10	1
12		23227-NXW1	Plate Clutch Side	1
13		94303-101701-0FH	Cir Clip 10	3
				5
14		2322E-NXW1	Collar Seal	1
15		96201-48522	O-Ring Pinion Cap 48X52X2	1
16		96201-48522	Seal Driven Face	2
17		2322C-NXW1	Roller Guide	4
18		2322B-NXW1	Face Assy Movable Driven	1
19		2322A-NXW1	Face Assy Driven	1
20		2322D-NXW1	Spg Driven Face	1
21		2322F-NXW1	Collar Spring	1
22		23211-NXW1	Face Drive	1
23		23212-NXW1	Boss. Driven Ace	1
24		2321A-NXW1	Face Comp Movable Drive	1
25		2321B-NXW1	Roller Comp. Weight	6
26		2321D-NXW1-01	Piece Slide	3
27		2321C-NXW1-01	Plate Ramp	1
28		96201-51552	O-Ring Pinion Cap 51*54. 6*1. 8	1

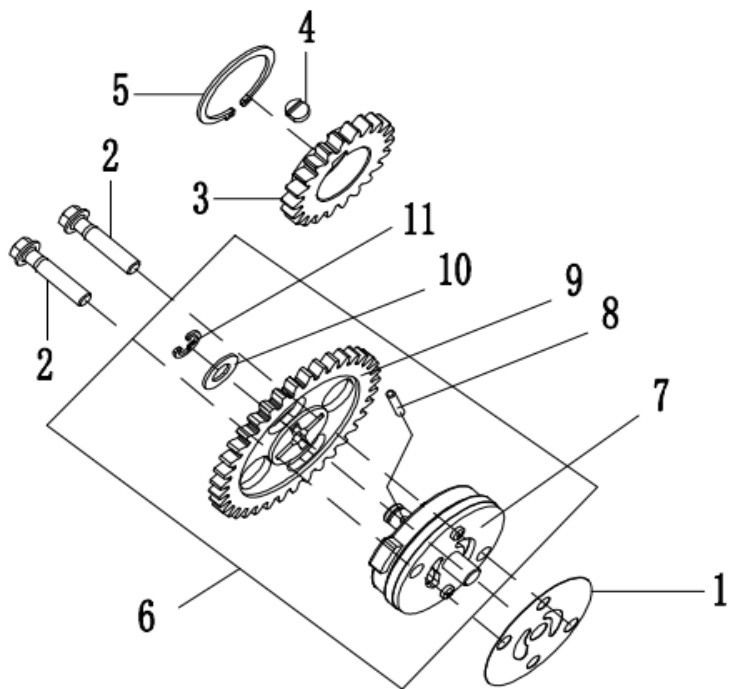
E12 GEARBOX ASSY



ITEM NO.	DRAWING NO.	PART NO.	DESCRIPTION	QTY
1	1P73MN-21201	21201-NXW1 21201-NXW1-00001	Gasket, Gearbox	1
2	1P73MN-21230	21230-NXW1	Snorkel Unit	1
3	1P73MN-94001/20	94001-20000	Adjusting Shim 20	1
4	1P73MN-21312	21312-NXW1	Driven Gear, Output	1
5	GB/T894.1-1986/28	94301-28001-0FH	Circlip 28	1
6	1P73MN-21311	21311-NXW1	Output Shaft	1
7	1P73MN-96002/35*58*7	96002-35587	Oil Seal 35X58X7	1
8	GB/T276-1994/62/28-2RSP5	97002-28062-5002R	Bearing 62/28-2RS/P5	1
9	1P73MN-93012/M12*1.25-8	93012-12000-10013	Nut M12X 1.25-8	1
10	1P73MN-94001/12.3*21*2	94001-12212	Washer 12.3X21X2	1
11	1P73MN-21211	21211-NXW1	Gearbox Cover	1
12	1P73MN-94001/12	94001-12000	Adjusting Shim 612	1
13	GB/T276-1994/6201-P53	97001-62010-5C3	Bearing 6201/P53	1

14	1P73MN-21332	21332-NXW1	Driven Gear, Input	1
15	1P73MN-21321	21321-NXW1	Input Shaft (Drive Gear)	1
16	1P73MN-21331	21331-NXW1	Idle Shaft (Output Drive Gear)	1
17	GB/T276-1994/6301-P5	97001-63010-5	Bearing 6301/P5	1
18	1P73MN-21301	21301-NXW1	Bushing	1
19		212A0-NXW1	Gearbox Cover Set	1
20		213A0-NXW1	Output Shaft & Circlip, Set	1

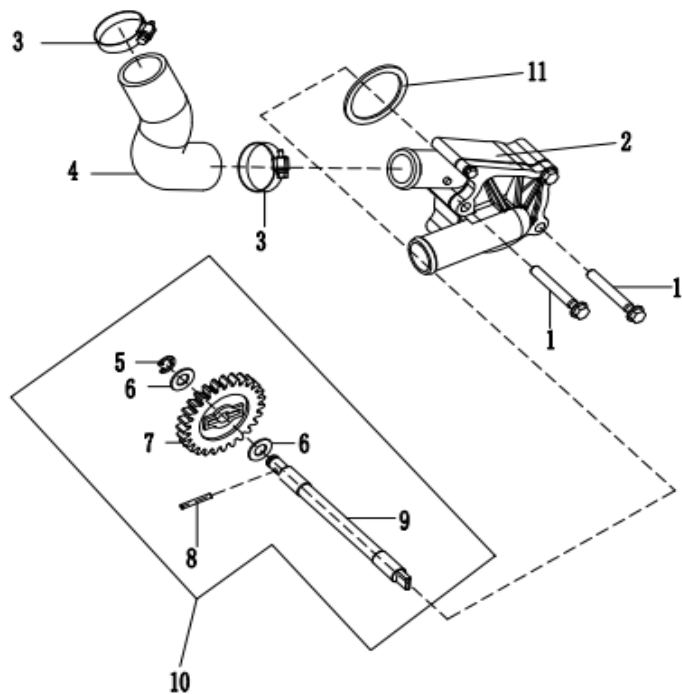
E13 OIL PUMP ASSY



ITEM NO.	DRAWING NO.	PART NO.	DESCRIPTION	QTY
1	1P73MN-15106	15106-NXW1 15106-NXW1-00001	Gasket, Oil Pump Gasket, Asbestos, Oil Pump	1
2	1P73MN-92013/M6*28-8.8	92013-06028-1	Bolt M6X28-8.8	2
3	1P73MN-15107	15107-NXW1	Drive Gear, Oil Pump	1
4	1P73MN-15108	15108-NXW1	Key	1

5	GB/T894.1-1986/32	94301-32001-0FH	Circlip 32	1
6	1P83MQ-151A0	151A0-QXW1	Oil Pump Assy	1
7	1P83MQ-15110	15110-QXW1	Oil Pump	1
8	GB/T309-1984/P3*21.8	95001-03022	Roller P3X21.8	1
9	1P73MN-15101	15101-NXW1	Gear, Oil Pump	1
10	1P73MN-94001/8. 2*16*1	94001-08161-0CX	Washer 8.2X16X1	1
11	GB/T896-1986/6	94303-06001-0FH	Circlip 6	1

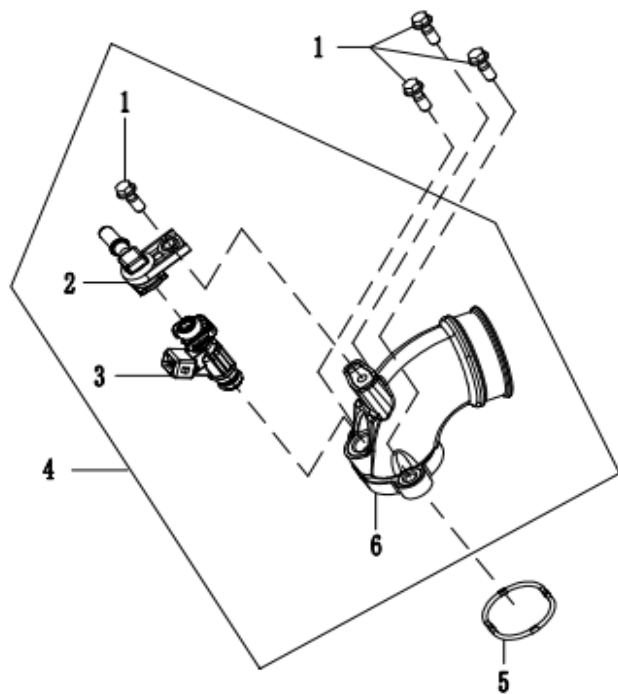
E14 WATER PUMP ASSY



ITEM NO.	DRAWING NO.	PART NO.	DESCRIPTION	QTY
1	1P73MN-920U/M6*45-8. 8	92011-06045-1CX	Bolt M6X45-8.8	2
2	1P83MQ-19200	19200-QXW1	Water Pump	1
3	1P73MN-91803/30	91803-30000-0CX	Clamp Set 630	2
4	1P73MN-19401	19401-NXW1	Outlet Pipe, Water Pump	1
5	GB/T896-1986/6	94303-06001-0FH	Circlip 6	1

6	1P73MN-94001/8. 2*16*1	94001-08161-0CX	Washer 8. 2X16X1	2
7	1P73MN-19301	19301-NXW1	Driven Gear, Water Pump	1
8	GB/T309-1984/P3*21. 8	95001-03022	Roller P3X21.8	1
9	1P73MN-19303	19303-NXW1	Power Shaft, Water Pump	1
10		193A0-NXW1	Power Shaft Assembly	1
11	1P73MN-96201/34*2. 5	96201-34003-0FJ	O-Ring 34X2.5	1

E15 THROTTLE & INTAKE MANIFOLD ASSY



ITEM NO.	DRAWING NO.	PART NO.	DESCRIPTION	QTY
1	1P73MN-92013/M6*16-8. 8	92013-06016-1CX	Bolt M6X16-8.8	4
				3
2	1P73MN-16220	16220-NXW1	Injector Socket Unit	1
3	1P73MN-16210	16210-NXW1	Injector Unit	1
4		16A00-NXW1	Intake Manifold & Injector, Set	1
5	1P73MN-91602/2. 5	91602-03000-0FJ	Gasket, Intake Manifold	1

6	1P73MN-16310	16310-NXW1-01	Intake Manifold Unit	1
---	--------------	---------------	----------------------	---