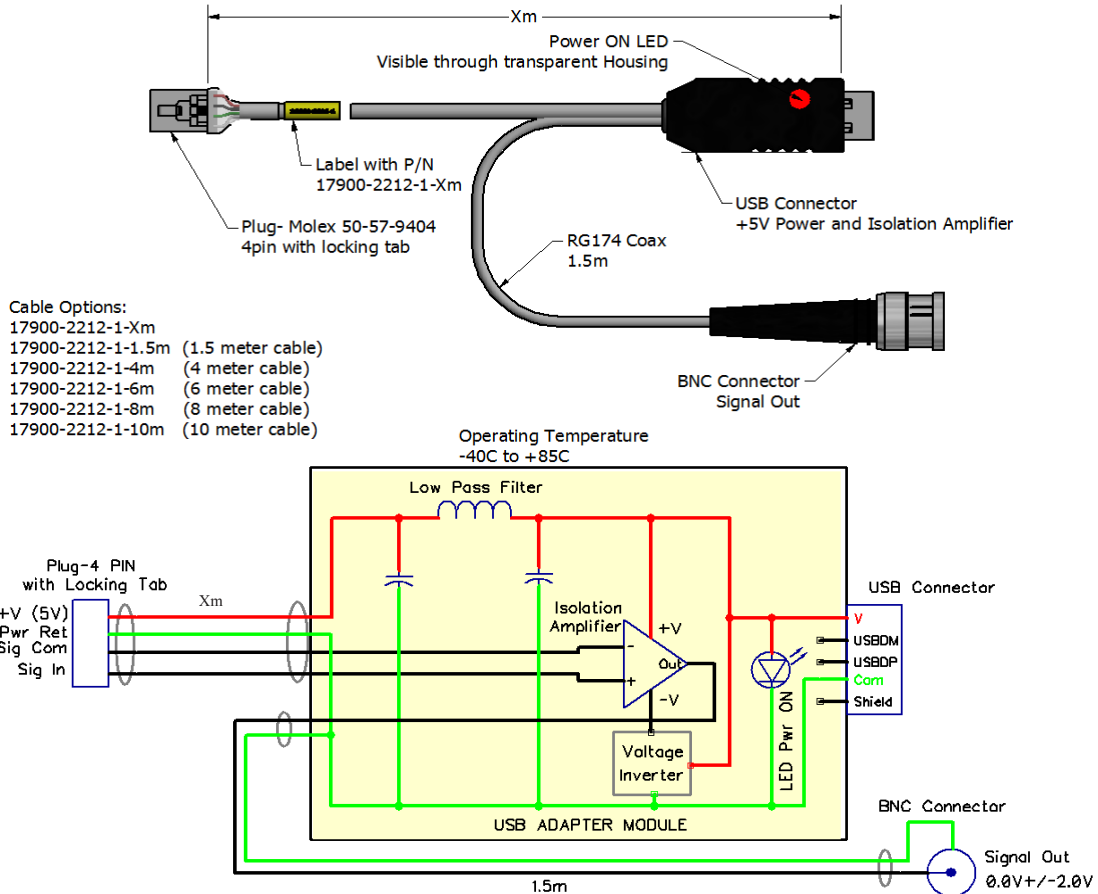


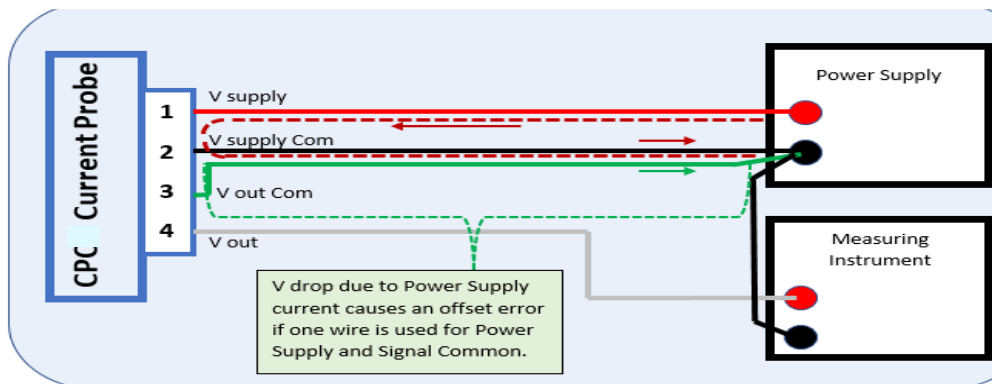
Description

The 17900-2212-1-Xm Cable Adapters provide a means of connecting the CPC-XXXX-27 current probes to a USB port for power and to monitoring instruments with a BNC connector input. The cable comes in various lengths listed below. The adapter's USB module incorporates a power ON LED and a low pass filter to condition the USB 5V power and remove any high frequency switching PS noise from the USB port. The module also incorporates an isolation amplifier to isolate the CPC-XXXX-27-BP2 output signal and signal common from the USB Power and Power common. This adapter removes potential additional offset voltages that may be introduced with long cable runs between the probe and monitoring equipment as described below. Compatible with the CPC-XXXX-27-BP2 probes and 17900-2209-0 Extension Cable.



Offset error caused by connecting the common returns

It is recommended the Vout Common and V supply return be isolated from each other to avoid Offset error in the measurement of Vout. The CPC will work if the returns are tied together, however the Offset voltage at the measuring instrument will change due to the voltage drop caused by the supply current and resistance of the wire. See diagram below:



Revision Date: July,30 2018