



**BRADFORD WHITE**<sup>®</sup>  
W A T E R   H E A T E R S

**RESIDENTIAL GAS REPLACEMENT PARTS LIST**

**Combi2™ TTW<sup>®</sup> Models  
(CSW2TW, CDW2TW)**



**DEFENDER**  
SAFETY SYSTEM<sup>®</sup>

Includes Hydrojet<sup>®</sup>  
Total Performance System

**Effective: August 2018**  
**ECO 7928**

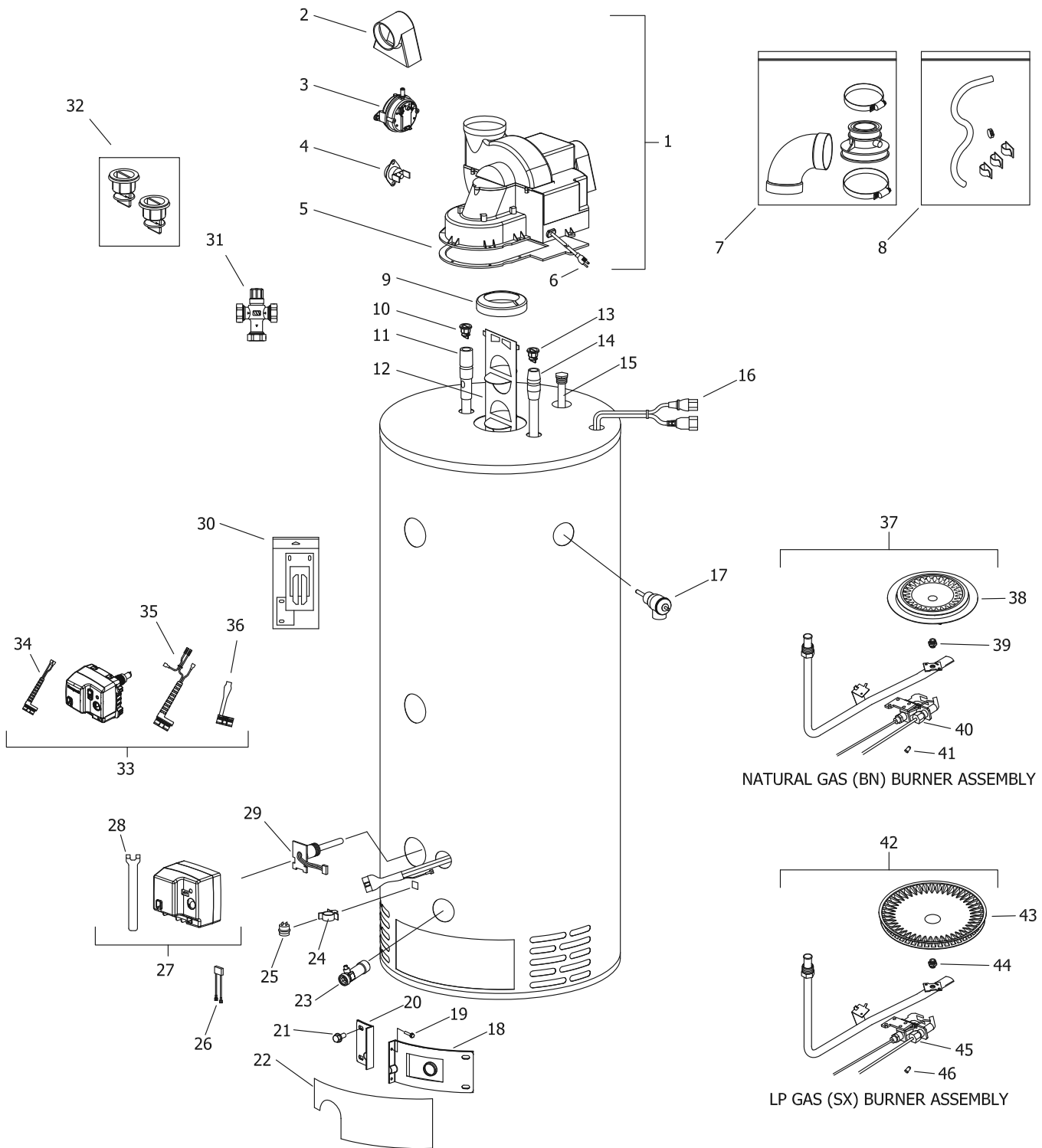
NOTE: BOTH MODEL AND SERIAL  
NUMBERS ARE REQUIRED FOR  
ORDERING REPLACEMENT PARTS

Dimensions and specifications  
subject to change without notice.

**WARNING**  
CANCER AND REPRODUCTIVE HARM  
[WWW.P65WARNINGS.CA.GOV](http://WWW.P65WARNINGS.CA.GOV)

As required by the state of California Proposition 65.

# CDW2TW50T SERIES



LP GAS (SX) BURNER ASSEMBLY TO REPLACE LP GAS (CX) BURNER ASSEMBLY  
ON ALL MODELS EXCEPT 75 & 100 GAL. NON-DEFENDER MODELS

Item	Description	Model
		C(D,S)W2TW50T10F(BN,CX,SX)
1	Blower Complete (Normal altitude)	265-45583-00
	Blower Complete (High altitude)	243-45986-00
2	Air Mixing Inlet	239-45868-00
3	Pressure Switch (Normal altitude)	239-45867-02
	Pressure Switch (High altitude)	239-45867-04
4	Blower Temperature Switch	239-45865-00
5	Blower Gasket	239-45866-00
6	Blower Power Cord	239-45990-00
7	3" Vent Adaptor with Vent Terminal	239-46264-00
8	Condensate Hose Kit (Optional)	239-45875-00
9	Flue Reducer	243-42572-00
10	Heat Trap Insert (Outlet)	239-45167-00
11	Hot Water Outlet Anode (Aluminum) ▲	224-47778-11
	Hot Water Outlet Anode (A420 Aluminum) ▲#	224-49560-08
12	Flue Baffle	239-45373-00
13	Heat Trap Insert (Inlet)	239-45073-00
14	Cold Water Inlet Dip Tube ▲▲	229-45092-01
15	Plug Type Anode (Aluminum)	224-47783-07
16	Blower Harness	239-45617-02
17	T&P Valve	230-40594-02
18	Right Side Inner Door	239-45642-18
19	Screw #8-15 x 3/4	239-44195-00
20	Left side Inner door	239-43968-18
21	Screw #10-12 x 3/4	239-44113-00
22	Outer Door	243-43962-00
23	Brass Drain Valve	227-48070-02
24	Flammable Vapor Sensor Clip	239-45648-00
25	Flammable Vapor Sensor	239-45560-00
26	Sensor Harness	239-45620-00
27	Gas Valve Natural Gas♦	239-45613-02
	Gas Valve LP Gas♦	239-45614-02
28	Gas Valve Service Tool♦	239-45991-00
29	Thermal Well♦	239-45651-02
30	Kit-Inner Door Gasket	239-44078-00
31	ASSE Approved Mixing Valve	239-43740-01
32	Kit-Heat Trap Insert	265-45419-00
33	Gas Valve Natural Gas♦♦	239-48795-04
	Gas Valve LP Gas♦♦	239-48796-04
34	Flammable Vapor Sensor Harness♦♦	239-49791-00
35	FV Sensor and Thermal Switch Harness♦♦	239-50066-00
36	Simulated Resistive Device Harness♦♦	239-49817-00
<b>Natural Gas (BN) Burner Assembly</b>		
37	Nat. Gas (BN) Burner Assembly Complete**	265-47439-06-26
38	Nat. Gas (BN) Burner*	228-42506-00
39	Nat. Gas (BN) Main Burner Orifice*	234-41034-26
	Nat. Gas (BN) High Altitude 2000 Ft. to 5000 Ft.*	234-41034-29
	Nat. Gas (BN) High Altitude 5000 Ft. to 8000 Ft.*	234-41034-30
	Nat. Gas (BN) High Altitude Over 8000 Ft.*	234-41034-31
40	Nat. Gas Pilot Assembly*	233-45653-02
41	Nat. Gas Pilot Orifice*	234-45869-01
<b>LP Gas (SX) Burner Assembly      Replacement for LP Gas (CX) Cast Iron Burner Assembly</b>		
42	LP Gas (SX) Burner Assembly Complete**	265-47440-10-43
43	LP Gas (SX) Burner*	228-47000-00
44	LP Gas (SX) Main Burner Orifice*	234-35928-43
	LP Gas (SX) High Altitude 2000 Ft. to 5000 Ft.*	234-35928-44
	LP Gas (SX) High Altitude 5000 Ft. to 8000 Ft.*	234-35928-47
	LP Gas (SX) High Altitude Over 8000 Ft.*	234-35928-47
45	LP Gas Pilot Assembly*	233-45653-04
46	LP Gas Pilot Orifice*	234-45869-02

\*Inner door gasket kit recommended

\*\*Ordering a complete burner assembly may increase delivery time. Please order the specific component required for the quickest delivery.

▲ Order with item 10.

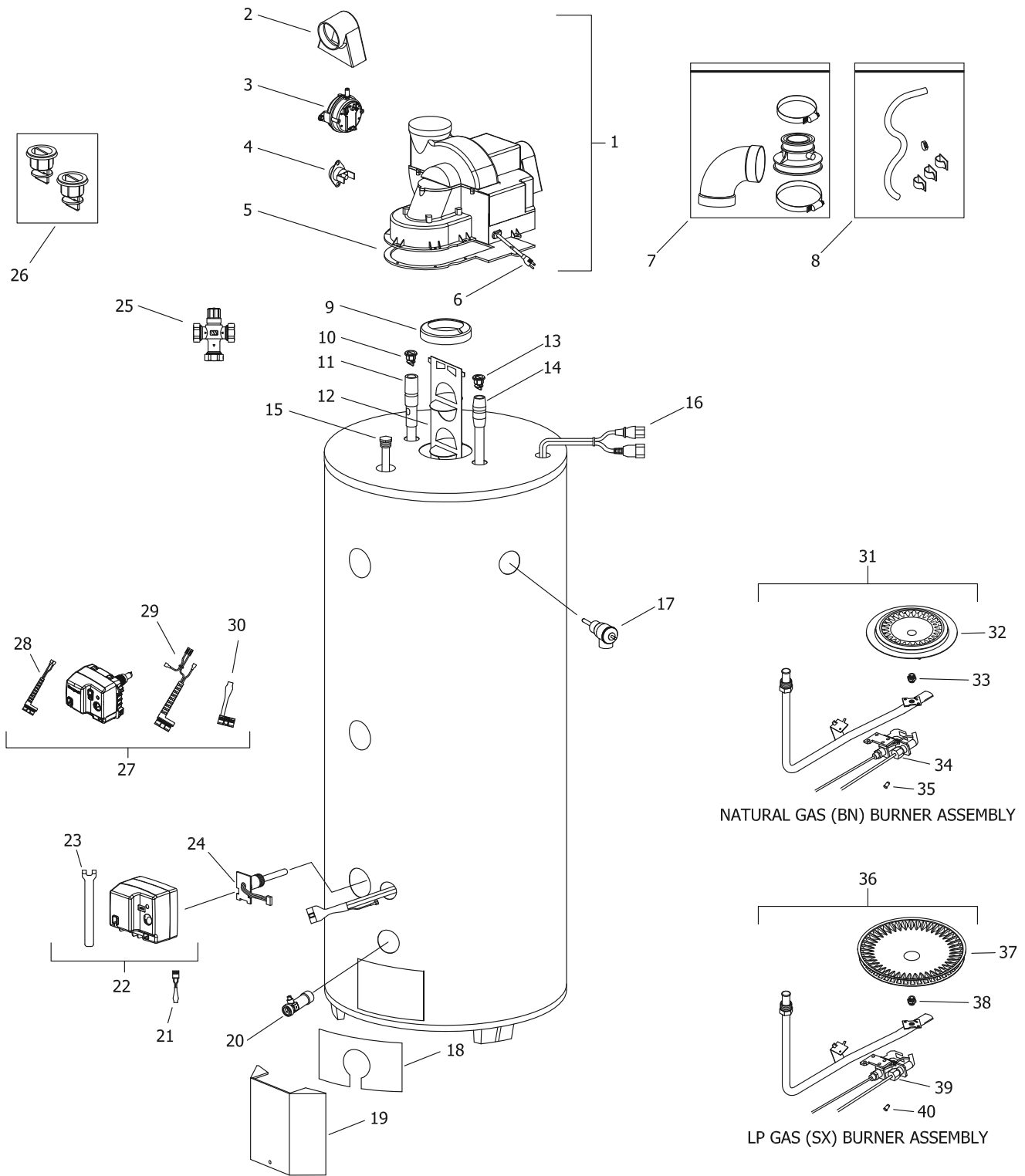
▲▲ Order with item 13.

# A420 Anode may need to be cut to length

♦ For serial numbers beginning with "J" or sooner

♦♦ For serial numbers beginning with "K" or later

# CDW2TW75T SERIES



LP GAS (SX) BURNER ASSEMBLY TO REPLACE LP GAS (CX) BURNER ASSEMBLY  
ON ALL MODELS EXCEPT 75 & 100 GAL. NON-DEFENDER MODELS

Item	Description	Model
		C(D,S)W2TW75T10(BN,CX,SX)
1	Blower Complete (Normal altitude)	239-45583-00
	Blower Complete (High altitude)	243-45986-00
2	Air Mixing Inlet	239-45868-00
3	Pressure Switch (Normal altitude)	239-45867-02
	Pressure Switch (High altitude)	239-45867-04
4	Blower Temperature Switch	239-45865-00
5	Blower Gasket	239-45866-00
6	Blower Power Cord	239-45990-00
7	3" Vent Adaptor with Vent Terminal	239-46264-00
8	Condensate Hose Kit (Optional)	239-45875-00
9	Flue Reducer	243-42572-00
10	Heat Trap Insert (Outlet)	239-45073-00
11	Hot Water Outlet Anode (Aluminum) ▲	224-47778-12
	Hot Water Outlet Anode (A420 Aluminum) ▲#	224-49560-08
12	Flue Baffle	239-45373-00
13	Heat Trap Insert (Inlet)	239-45073-00
14	Cold Water Inlet Dip Tube ▲▲	229-39628-15
15	Plug Type Anode (Aluminum)	224-47783-07
16	Blower Harness	239-45617-02
17	T&P Valve	230-40594-02
18	Inner Door	243-39207-00
19	Outer Door	243-37177-00
20	Brass Drain Valve	227-48070-02
21	Harness Simulated Resistive Device ♦	239-45949-00
22	Gas Valve Natural Gas ♦	239-45613-02
	Gas Valve LP Gas ♦	239-45614-02
23	Gas Valve Service Tool ♦	239-45991-00
24	Thermal Well ♦	239-45651-02
25	ASSE Approved Mixing Valve	239-43740-01
26	Kit-Heat Trap Insert	265-45419-00
27	Gas Valve Natural Gas ♦♦	239-48795-04
	Gas Valve LP Gas ♦♦	239-48796-04
28	Flammable Vapor Sensor Harness ♦♦	239-49791-00
29	FV Sensor and Thermal Switch Harness ♦♦	239-50066-00
30	Simulated Resistive Device Harness ♦♦	239-49817-00
	<b>Natural Gas (BN) Burner Assembly</b>	
31	Nat. Gas (BN) Burner Assembly Complete**	265-45652-03-21
32	Nat. Gas (BN) Burner*	228-42506-00
33	Nat. Gas (BN) Main Burner Orifice*	234-41034-21
	Nat. Gas (BN) High Altitude 2000 Ft. to 5000 Ft.*	234-41034-29
	Nat. Gas (BN) High Altitude 5000 Ft. to 8000 Ft.*	234-41034-31
	Nat. Gas (BN) High Altitude Over 8000 Ft.*	234-41034-21
34	Nat. Gas Pilot Assembly*	233-45653-02
35	Nat. Gas Pilot Orifice*	234-45869-01
	<b>LP Gas (SX) Burner Assembly</b>	<b>Replacement for LP Gas (CX) Cast Iron Burner Assembly</b>
36	LP Gas (SX) Burner Assembly Complete**	265-47112-01-41
37	LP Gas (SX) Burner*	228-46938-00
38	LP Gas (SX) Main Burner Orifice*	234-47064-41
	LP Gas (SX) High Altitude 2000 Ft. to 5000 Ft.*	234-47064-44
	LP Gas (SX) High Altitude 5000 Ft. to 8000 Ft.*	234-47064-44
	LP Gas (SX) High Altitude Over 8000 Ft.*	234-47064-45
39	LP Gas Pilot Assembly*	233-45653-04
40	LP Gas Pilot Orifice*	234-45869-01

\*Inner door gasket kit recommended

\*\*Ordering a complete burner assembly may increase delivery time. Please order the specific component required for the quickest delivery.

▲ Order with item 10.

▲▲ Order with item 13.

# A420 Anode may need to be cut to length

♦ For serial numbers beginning with "J" or sooner

♦♦ For serial numbers beginning with "K" or later



# **BRADFORD WHITE<sup>®</sup>**

W A T E R H E A T E R S

Ambler, PA

For U.S. and Canada field service,  
contact your professional installer or  
local Bradford White sales representative.

**Sales/800-523-2931**  
**Fax/215-641-1670**  
**Parts Fax/215-641-2180**

**Technical Support/800-334-3393**  
**Fax/269-795-1089**

**Warranty/800-531-2111**  
**Fax/269-795-1089**

**International:**  
**Telephone/215-641-9400**  
**Telefax/215-641-9750**



# **BRADFORD WHITE-CANADA<sup>®</sup> INC.**

Mississauga, ON

**Sales/866-690-0961**  
**905-238-0100**

**Fax/905-238-0105**

**Technical Support/800-334-3393**

**Email**

**parts@bradfordwhite.com**  
**techserv@bradfordwhite.com**

**www.bradfordwhite.com**