

Product Highlights

5 Megapixel Quality and H.265 Compression

An ultra-sharp 5 megapixel sensor and H.265 compression to strike a perfect balance between high image quality and streaming bandwidth efficiency

360° Whole Room Coverage

See it all with a wide-angle fisheye lens that gives you complete 360° coverage that lets you monitor a large area with a single camera

Complete Day/Night Surveillance Solution

Keep watch over an area 24 hours a day with built-in night vision; the IR LEDs and automatic IR-cut filter gives you a clear picture, even in complete darkness



DCS-4625

Vigilance 5-Megapixel H.265 Fisheye Camera

Features

Exceptional Video Quality

- 1/2.5" 5 megapixel progressive CMOS sensor
- Maximum resolution of 2560 x 1920
- Wide Dynamic Range (WDR) image enhancement
- Built-in IR LED illuminator with a 5-meter range for use in dark areas
- 3D filtering reduces image noise in low-light environments
- H.265, H.264, MJPEG codec support for streaming and recording
- Motion detection
- ePTZ viewing

Flexibility

- 10/100 Fast Ethernet port
- Power over Ethernet (PoE) ensures easy and flexible integration into your network
- microSD card slot for onboard storage¹
- Digital input socket for connection to external device
- Audio input can be connected to a microphone

The D-Link DCS-4625 Vigilance 5-Megapixel H.265 Fisheye Camera is a high-definition professional surveillance solution suitable for small, medium, and large enterprises. The camera uses a high-sensitivity 1/2.5" 5 megapixel progressive scan CMOS sensor with onboard WDR image enhancement to deliver truly superior quality video in all conditions. With its fisheye lens, a high-resolution sensor, distortion correction and PoE support, it's the ideal solution for monitoring large areas with a single camera without the need for additional accessories.

High-Quality Streaming and Recording

To maximize bandwidth efficiency and improve image quality, the DCS-4625 provides real-time video compression using the H.265, H.264, and MJPEG codecs, and supports three separate profiles for simultaneous video streaming and recording. Video resolutions of up to 2560 x 1920 provide clear details, noise reduction and support for simultaneous video streams, improving quality in case forensic work is required for evidence. Dewarping corrects fisheye video output, while ePTZ allows you to zoom in, zoom out, and pan across your camera's video to survey a large area with ease. Additional support for motion detection, tamper detection and event management features allow for implementation in a wide variety of surveillance applications such as monitoring public areas to detect incidents and to coordinate responses, enforcing access control to restricted areas, deterring criminal activity, or monitoring inventory.

Complete Day/Night Surveillance Solution

Day or night, the Vigilance 5-Megapixel H.265 Fisheye Camera watches over your home or office to keep you informed of what's going on. Night vision with IR illuminators makes sure nothing is hidden in the shadows, even in complete darkness. Motion detection lets you record events with ease and can even save snapshots and video before the event even happens so you get the whole picture.

Robust Management Software

The DCS-4625 Vigilance 5-Megapixel H.265 Fisheye Camera is bundled with D-ViewCam, a complete surveillance software package that enables you to view, manage, and record from up to 32 cameras on a single computer in a central location. Recordings and e-mail alerts can be triggered upon motion detection or by digital input devices. This feature automatically keeps a record of any unusual activity and notifies administrators when no one is around to monitor on-site.

Flexible Connectivity

The DCS-4625 has built-in 802.3af-compliant PoE support that simplifies installation by providing power and networking connectivity over a single standard network cable. This feature can speed along installation by reducing the need to lay extra electrical wiring and install additional outlets on location because a power supply is not required.

Technical Specifications

Camera

Camera Hardware Profile	<ul style="list-style-type: none"> • 1/2.5" 5 megapixel progressive CMOS sensor • 5 meter IR illumination distance • Minimum illumination: <ul style="list-style-type: none"> • 0.01 lux / F2.0 (color) • 0.008 lux / F2.0 (B/W) • 0 lux / F2.0 (IR-LED on) • Built-in Infrared-Cut Removable (ICR) Filter module • Minimum object distance 0.5M 	<ul style="list-style-type: none"> • Auto electronic shutter: 1/12s ~ 1/27000s • Focal length: 1.37 mm • Aperture: F2.0 • Angle of view: <ul style="list-style-type: none"> • (H) 180° • (V) 180° • (D) 180°
Image Features	<ul style="list-style-type: none"> • Configurable image size, quality, frame rate, and bit rate • Configurable motion detection windows • Configurable shutter speed, brightness, saturation, contrast, sharpness and 3D filter. 	<ul style="list-style-type: none"> • Auto White Balance (AWB) • Auto Gain Control (AGC) • Wide Dynamic Range (WDR) • Time stamp and text overlays
Display Mode	<ul style="list-style-type: none"> • Fisheye view (1O) • Normal view (1R) • Panoramic view (1P) 	<ul style="list-style-type: none"> • Multi-view with panorama (2P) • Multi-view (4R)
Video Compression	<ul style="list-style-type: none"> • Simultaneous H.265/H.264/MJPEG format compression • H.265/H.264/MJPEG multicast streaming 	<ul style="list-style-type: none"> • JPEG for still images
Video Resolution	<ul style="list-style-type: none"> • 4:3 <ul style="list-style-type: none"> • 2560x1920, 1600x1200, 1280x960, 800x600, 640x480 up to 30 fps 	<ul style="list-style-type: none"> • 16:9 <ul style="list-style-type: none"> • 2560x1440, 1920x1080, 1280x720, 640x360 up to 30 fps
Audio Support	<ul style="list-style-type: none"> • G.711 μ-law 	<ul style="list-style-type: none"> • MPEG2-AAC LC
External Device Interfaces	<ul style="list-style-type: none"> • 10/100 BASE-TX Fast Ethernet port • Supports 802.3af poE Class 3 • DC 12V input 	<ul style="list-style-type: none"> • microSD/SDHC/SDXC card slot, accepts cards up to 256 GB • Digital input • Audio line input

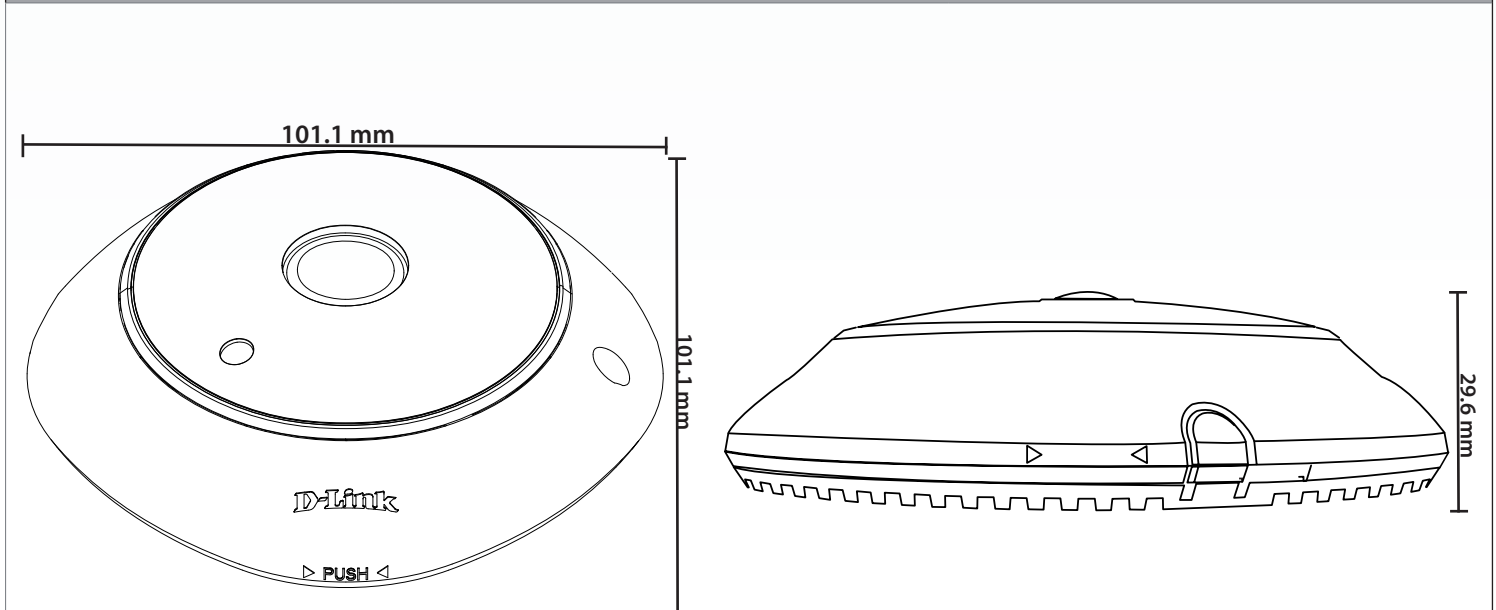
Network

Network Protocols	<ul style="list-style-type: none"> • IPv6 • IPv4 • ARP • TCP/IP • UDP • ICMP • DHCP client • NTP client (D-Link) • DNS client • Dynamic DNS client • FTP client • SMTP client 	<ul style="list-style-type: none"> • Bonjour • 802.1x port-based authentication • HTTP/HTTPS • PPPoE • UPnP port forwarding • RTP/RTSP • IP filtering • Multicast • CoS • QoS/DSCP • SNMP v1/v2/v3 • ONVIF Profile S compliant
Security	<ul style="list-style-type: none"> • Administrator protection • Password authentication 	<ul style="list-style-type: none"> • HTTP and RTSP authentication

System Management		
Event Management	<ul style="list-style-type: none"> • Motion detection • Tamper detection • Event notification and uploading of snapshots/video clips via e-mail or FTP 	<ul style="list-style-type: none"> • Supports multiple SMTP and FTP servers • Multiple event notifications • Multiple recording methods for easy backup
Remote Management	<ul style="list-style-type: none"> • Remote management via D-ViewCam™ software • Configuration interface accessible via web browser 	<ul style="list-style-type: none"> • Remotely take snapshots/video clips and save to local hard drive
System Requirements for Web Interface	<ul style="list-style-type: none"> • Operating System: Microsoft Windows 10 / 8 / 7 	<ul style="list-style-type: none"> • Browser: Internet Explorer, Firefox, Chrome
D-ViewCam™ System Requirements	<ul style="list-style-type: none"> • Operating System: <ul style="list-style-type: none"> • 32-bit: Windows 8 / 7 (SP1) • 64-bit: Windows 10 / 8 / 7 (SP1) / Server 2012 / Server 2008 R2 	<ul style="list-style-type: none"> • Web Browser: Internet Explorer 7 or higher • Protocol: Standard TCP/IP
D-ViewCam™ Software Functions	<ul style="list-style-type: none"> • Remote management/control of up to 32 cameras • Supports all management functions provided in web interface 	<ul style="list-style-type: none"> • Viewing of up to 32 cameras on one screen • Scheduled motion triggered, or manual recording options

General		
Weight	<ul style="list-style-type: none"> • 190g ± 5% 	
Power	<ul style="list-style-type: none"> • Input: 100 to 240 V AC, 50/60 Hz 	<ul style="list-style-type: none"> • Output²: 12 V DC 1.5 A
Power Consumption	<ul style="list-style-type: none"> • 8W ± 5% (PoE) 	
Temperature	<ul style="list-style-type: none"> • Operating: 0 to 40 °C (32 to 104 °F) 	<ul style="list-style-type: none"> • Storage: -20 to 70 °C (-4 to 158 °F)
Humidity	<ul style="list-style-type: none"> • Operating: 20% to 80% non-condensing 	<ul style="list-style-type: none"> • Storage: 5% to 95% non-condensing
Certifications	<ul style="list-style-type: none"> • CE • CE LVD 	<ul style="list-style-type: none"> • FCC • RCM

Dimensions



DCS-4625 Vigilance 5-Megapixel H.265 Fisheye Camera

Order Information	
Model Number	DCS-4625
Model Name	Vigilance 5-Megapixel H.265 Fisheye Camera
Hardware Version	A

¹The camera is compatible with microSD cards up to v3.01 and is not compatible with v4.x cards.

² DC 12 V power adaptor not included.

Updated 12/02/2019