



# LED Recessed Luminaires

**STANDARD**<sup>®</sup>



РЕГИСТРАЦИЯ  
REGISTRATION

РЕГИСТРАЦИЯ  
REGISTRATION



# Universal STANDARD LED Panels!

*STANDARD's range of edge-lit LED flat panels provide an optimal alternative to traditional fluorescent luminaires.*

- Available in 1' x 4', 2' x 2' and 2' x 4'
- Built-in dedicated driver operating from 120 V to 347 V
- Edge-lit technology
- Dimmable 0-10 V
- 3 500 K, 4 000 K or 5 000 K colour temperatures
- Ultra-thin profile and light weight for easy installation
- 80+ CRI







**SAVE EVEN MORE ENERGY, THEY ARE 0-10 V DIMMABLE!**

Our 0-10V dimming allows for the adjustment of light levels for specific ambiance, setting a mood, and taking advantage of daylight to reduce energy use. Control your savings by pairing a 0-10 V dimmer with our Universal LED panels.



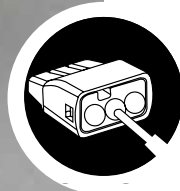
**MULTIPLE MOUNTING OPTIONS; RECESSED, SURFACE OR SUSPENDED MOUNTING**

Our Universal LED panels allow for easy installation in a variety of applications. They can be installed in a recessed T-grid system, or we can provide accessories that allow for surface or recessed mounting in hard ceilings. For a more modern look, you can use our aircraft cable set to suspend them.



**EDGE-LIT TECHNOLOGY, FOR A CONSISTENT AND UNIFORM LIGHT**

Edge-to-edge uniform consistent light is attained with high quality components. Between our premium light guide lens and high quality diodes, our panels provide a glare free sleek ultra-modern look without diode hotspots.



**EASY INSTALLATION. QUICK CONNECTION. PUSH-IN WIRE CONNECTORS INCLUDED.**

Now included, high quality push-in wire connectors! Safe, easy to use while also shaving off time during installation.

# Built-in dedicated driver operating on 120 V to 347 V

At STANDARD, we have made life easy. Our Universal panels are equipped with an innovative LED driver that operates from 120 V to 347 V. No need to stock multiple products with multiple voltages. Regardless of the needs of your application, each unit is universal and can be installed in multiple locations.



**2x4**

**2x2**

**1x4**





Order Code	Description	Watts (W)	Input Voltage (V)	Lumens (lm)	Lumen per watt (LPW)	Colour temp. (K)	Beam angle (°)	CRI	L70 Average Life (hrs)
<b>1x4</b> width: 1 ft. (30.1 cm) length: 4 ft. (121.2 cm)									
64697	LPAN/1X4/120-347V-DIM/40W/35K/STD	40W	100-347 V	4177	104	3500	120	Ra>80	> 121 000
64698	LPAN/1X4/120-347V-DIM/40W/40K/STD	40W	100-347 V	3981	100	4000	120	Ra>80	> 121 000
64699	LPAN/1X4/120-347V-DIM/40W/50K/STD	40W	100-347 V	4373	109	5000	120	Ra>80	> 121 000
<b>2x2</b> width: 2 ft. (60.3 cm) length: 2 ft. (60.3 cm)									
65542	LPAN/S2/2X2/120-347V-DIM/40W/35K/STD	40W	100-347 V	5 200	130	3500	120	Ra>80	> 121 000
65543	LPAN/S2/2X2/120-347V-DIM/40W/40K/STD	40W	100-347 V	5 200	130	4000	120	Ra>80	> 121 000
65544	LPAN/S2/2X2/120-347V-DIM/40W/50K/STD	40W	100-347 V	5 200	130	5000	120	Ra>80	> 121 000
<b>2x4</b> width: 2 ft. (60.3 cm) length: 4 ft. (121.2 cm)									
65545	LPAN/S2/2X4/120-347V-DIM/50W/35K/STD	50W	100-347 V	6 500	130	3500	120	Ra>80	> 121 000
65546	LPAN/S2/2X4/120-347V-DIM/50W/40K/STD	50W	100-347 V	6 500	130	4000	120	Ra>80	> 121 000
65547	LPAN/S2/2X4/120-347V-DIM/50W/50K/STD	50W	100-347 V	6 500	130	5000	120	Ra>80	> 121 000

## ACCESSORIES

Order Code	Description
64825	LPAN/ACC/2X2/SMK/STD
64826	LPAN/ACC/1X4/SMK/STD
64827	LPAN/ACC/2X4/SMK/STD
64828	LPAN/ACC/2X2/SUSPENSION/STD
64829	LPAN/ACC/1X4_2X4/SUSPENSION/STD
63490	DRYWALL KIT FOR 1X4 FRT/STD
63941	DRYWALL KIT FOR 2X4 FRT/STD





# LED Centerbasket Luminaires

*Ensure evenly distributed light that eliminates surface shadows and provides a glare-free environment.*

- Available in 120-277 V
- 3 500 K, 4 000 K & 5 000 K
- 2'x2', 1'x4' & 2'x4'
- 35 W & 46 W
- Power factor of  $\geq 0.9$ , and low THD  $\leq 10\%$
- CRI 80
- Frosted polycarbonate diffuser
- Energy Efficient
- 0-10 V Dimming
- Operating temperature:  $-30^{\circ}\text{C}$  to  $50^{\circ}\text{C}$





*The LRCB series of luminaires have a direct/indirect center-diffuser that provides an optimal modern alternative to traditional fluorescent recessed luminaires look. Easy to install into any T-grid application, you can now modernize your areas and enjoy the benefit of a quality lighting solution.*

This series provides an excellent option to the lighting designer or building management company seeking a pleasing aesthetic look, while providing substantial energy savings. Their modern sleek look provides smooth and visually comfortable lighting and is the perfect fit for any commercial or institutional applications, schools, hospitals or retail spaces





Order Code	Description	Watts (W)	Volts (V)	Lumens (lm)	Lumen per watt (LPW)	Colour temp. (K)	Beam angle (°)	CRI	L70 Average Life (hrs)
<b>1x4</b> width: 1 ft. (30.1cm) length: 4 ft. (121.2cm)									
65550	LRCB/S2/1X4/120-277V-DIM/35W/35K/STD	35	120-277	4 480	128	3 500	120	80	50 000
65551	LRCB/S2/1X4/120-277V-DIM/35W/40K/STD	35	120-277	4 515	129	4 000	120	80	50 000
65552	LRCB/S2/1X4/120-277V-DIM/35W/50K/STD	35	120-277	4 550	130	5 000	120	80	50 000
<b>2x2</b> width: 2 ft. (60.3cm) length: 2 ft. (60.3cm)									
65553	LRCB/S2/2X2/120-277V-DIM/35W/35K/STD	35	120-277	4 375	125	3 500	120	80	50 000
65554	LRCB/S2/2X2/120-277V-DIM/35W/40K/STD	35	120-277	4 410	126	4 000	120	80	50 000
65555	LRCB/S2/2X2/120-277V-DIM/35W/50K/STD	35	120-277	4 445	127	5 000	120	80	50 000
<b>2x4</b> width: 2 ft. (60.3cm) length: 4 ft. (121.2cm)									
65556	LRCB/2X4/S2/120-277V-DIM/46W/35K/STD	46	120-277	5 750	125	3 500	120	80	50 000
65557	LRCB/2X4/S2/120-277V-DIM/46W/40K/STD	46	120-277	5 796	126	4 000	120	80	50 000
65558	LRCB/2X4/S2/120-277V-DIM/46W/50K/STD	46	120-277	5 842	127	5 000	120	80	50 000

## ACCESSORIES

Order Code	Description
63490	DRYWALL KIT FOR 1X4 FRT/STD
63491	DRYWALL KIT FOR 2X4 FRT/STD





# RetroKit

## *LED retrofit kit for troffer*

*Upgrade your fluorescent troffers easily to LED. It will improve the look of your ceiling with its architectural design without the need to break in the ceiling plenum.*

- **Use existing troffer housing instead of replacing it completely**
- **120-277 V**
- **4 000 K**
- **2' x 2' & 2' x 4'**
- **40 W & 50 W**
- **CRI 85**
- **Polycarbonate diffuser**
- **0-10 V dimming from 5% to 100%**

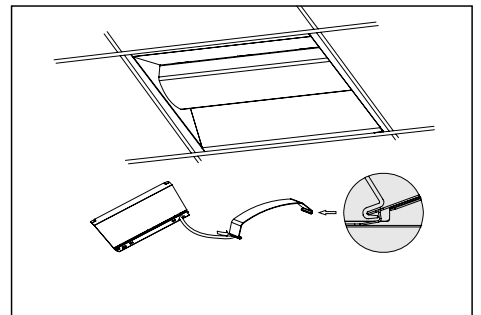
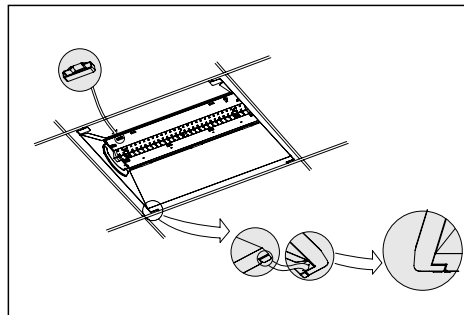
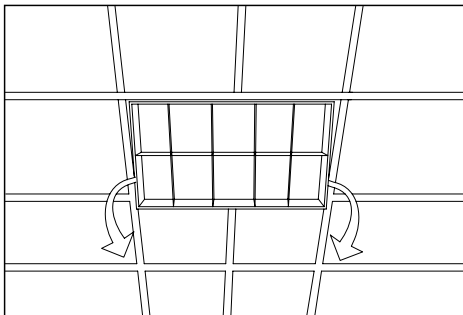
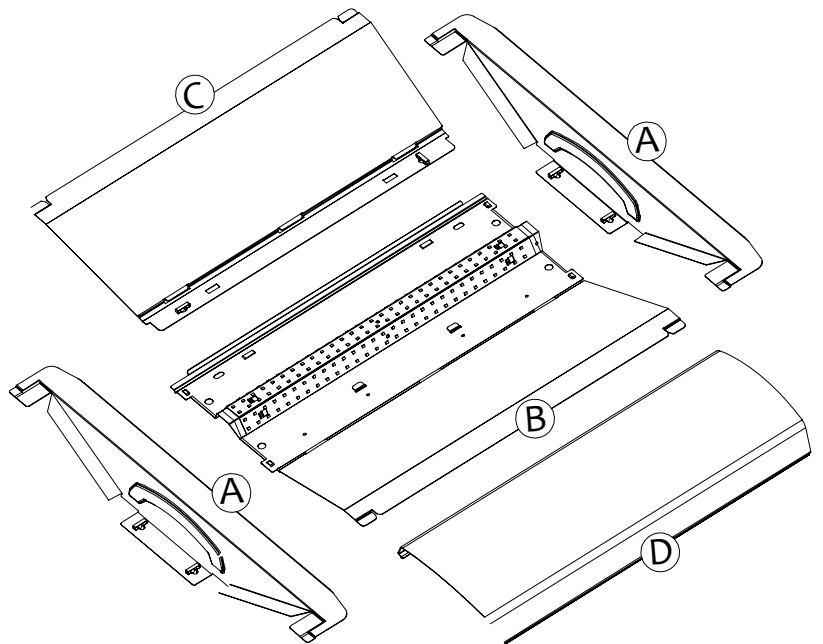


# Quick installation for instant savings



*Install this kit in less than 5 minutes and you have an efficient new luminaire with a modern look!*

The STANDARD **RetroKit** uses the existing luminaire frame to convert and upgrade to LED, reducing installation costs. Achieve instant savings by reducing your maintenance of replacement tube, with an average life span of more than 50,000 hours. Not to mention the savings from reduced power consumption with LED technology.



For further information please refer to our installation instructions on our website



# Uniform light distribution for a comfortable environment

Equipped with high-quality, long-life LEDs, which are protected by a polycarbonate optical lens that reduces glare. With a CRI of 85+, true color is achieved while also allowing for a visually comfortable working environment.

Order code	Description	Watts (W)	Input volts (V)	Lumens (lm)	Lumen per Watt (LPW)	Colour temp. (K)	Beam angle (°)	CRI	Operating temperatures
65362	LRT/RETRO/2X2/120-277V-DIM/40W/40/STD	40	120-277	4 700	125	4 000	120	85	-20~40°C (-4~104°F)
65363	LRT/RETRO/2X4/120-277V-DIM/50W/40/STD	50	120-277	6 050	130	4 000	120	85	-20~40°C (-4~104°F)



 Standard Products

 Standard Products Inc

 Standard ProInc

 Standardproducts

 Standard Products Inc

 Standard Products Inc

 Standard Products Inc

[www.standardpro.com](http://www.standardpro.com)

