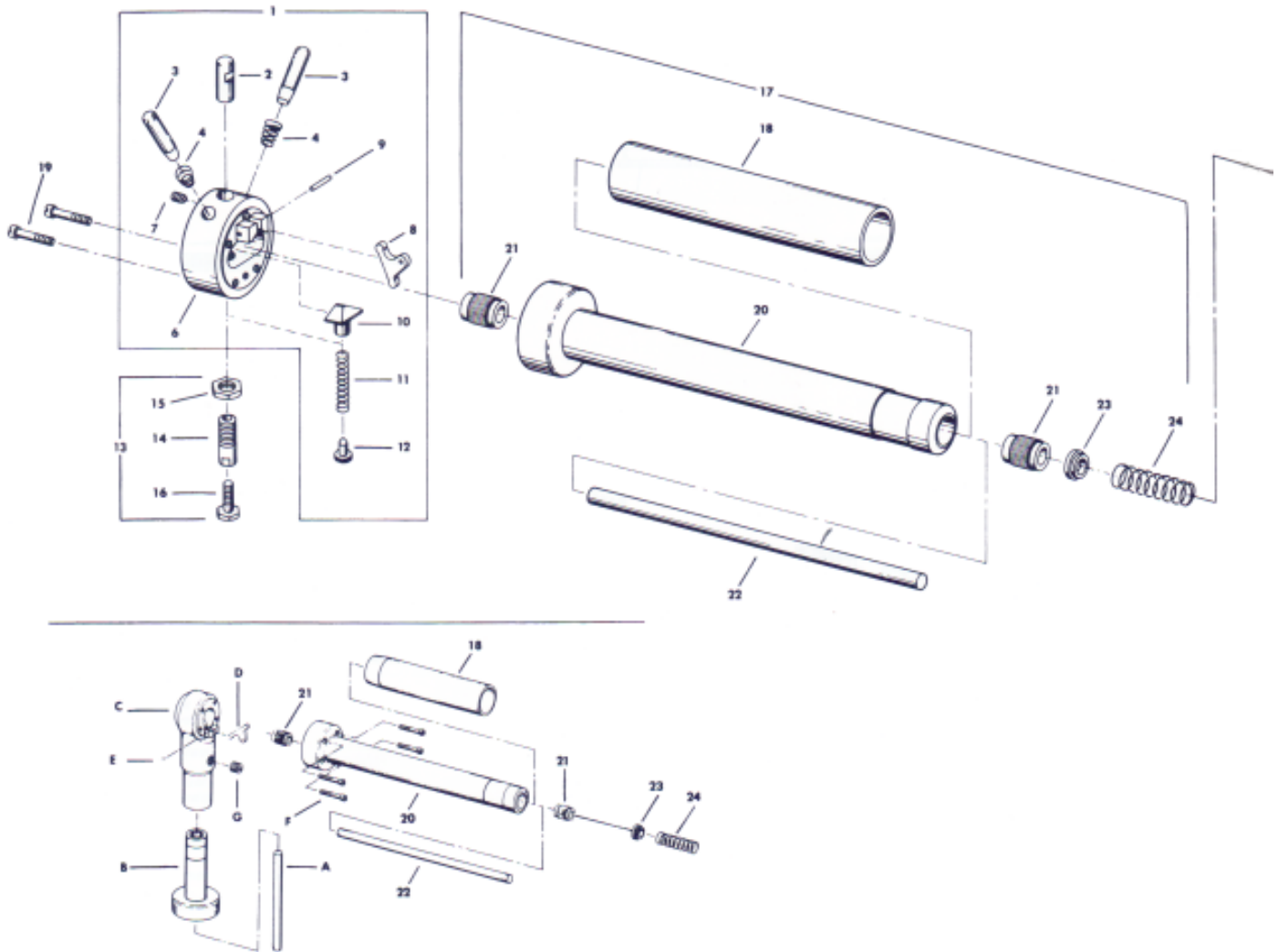


STANDARD STYLE BORE GAGE PARTS LIST

Revised: 2-6-04

SECTION B
SIZE 2 STYLE 1, 2, 3, 4 & 6 DIAL BORE GAGE
 (1.000 - 1.531 Inch Range Gages)



ITEM	PART	NAME	PART NUMBER	
1	GAGING UNIT ASSEMBLY	PLUNGER	MATERIAL	
		GAGING	CENTRALIZING	
		STEEL	STEEL	DX2-86052
		T.C.	STEEL	DX2-86107
		DIAMOND	STEEL	DX2-86072
		T.C.	T.C.	DX2-86092
		DIAMOND	T.C.	DX2-86108
2	PLUNGER, GAGING (.263 INCH LONG)	STEEL	DX2-86452	
		T.C.	DX2-86492	
		DIAMOND	DX2-86472	
3	PLUNGER, CENTRALIZING (.416 INCH LONG) (2) ("E" RING INCLUDED)	STEEL	DX2-86552	
		T.C.	DX2-86592	
4	SPRING, CENTRALIZER	(2)	DX2-89252	
5	"E" RING (NOT SHOWN)	(2)	DX2-85557	
6	HEAD		DX2-86152	
7	SCREW, GAGING PLUNGER - STOP		DX2-87455	
8	LEVER, 90 DEGREE		DX1-86852	
9	PIN, LEVER		DX1-49999	
10	EQUALIZER		DX2-86352	
11	SPRING, EQUALIZER		DX2-89352	
12	SCREW, ADJUSTING		DX2-88452	

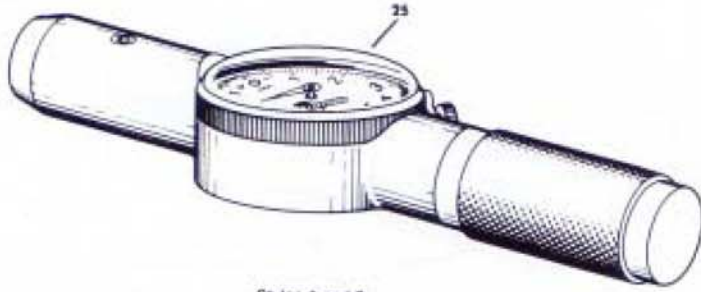
ITEM	PART	NAME	PART NUMBER	
13	RANGE EXTENSION ASSEMBLY	STEEL CONTACT POINT	DX2-85829	
		T.C. CONTACT POINT	DX2-85992	
		DIAMOND CONTACT POINT	DX2-85972	
14	RANGE EXTENSIONS (12-40 THREAD) EXTENSION LENGTH	RANGE		
		.187 INCH	1.000 - 1.062	DX2-85820
		.250 INCH	1.062 - 1.125	DX2-85821
		.312 INCH	1.125 - 1.188	DX2-85831
		.375 INCH	1.188 - 1.250	DX2-85823
		.437 INCH	1.250 - 1.312	DX2-85824
		.500 INCH	1.312 - 1.375	DX2-85825
		.562 INCH	1.375 - 1.438	DX2-85826
		.625 INCH	1.438 - 1.50	DX2-85827
.687 INCH	1.50 - 1.562	DX2-85828		
15	LOCKNUT	1.00 - 1.125 (2)	DX2-85931	
		ALL OTHERS (7)	DX2-85932	
16	CONTACT POINT (5-44 THREAD)	(1) STEEL	DX2-86652	
		(1) T.C.	DX2-86692	
		(1) DIAMOND	DX2-86672	

Revised: 9-18-03

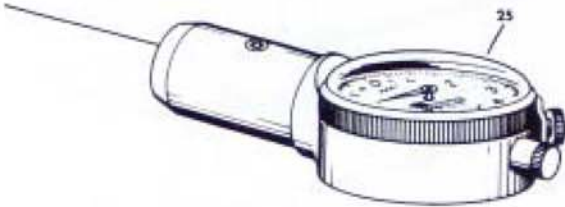
Proudly made in the USA 



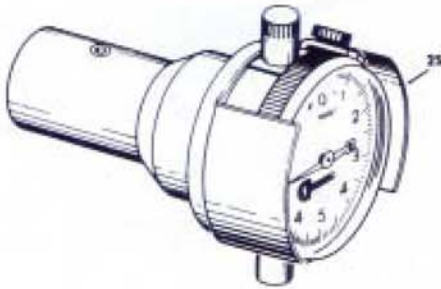
SECTION B
SIZE 2 STYLE 1, 2, 3, 4 & 6 DIAL BORE GAGE
 (1.000 - 1.531 Inch Range Gages)



Styles 1 and 2
Regular - Right Angle



Styles 3 and 6
Vertical - Interbloc®



Style 4
Perpendicular

ITEMS NOT SHOWN

WRENCH, HEX	DX2-89941
WRENCH, EXTENSION	DX2-89944
WRENCH, LOCKNUT AND CONTACT POINT	DX2-89945
ADAPTOR, RANGE EXTENSION (TO 1.75 INCHES)	DS-BO-85929

ITEM	PART NAME	PART NUMBER
A	PLUNGER, HEAD EXTENSION	DX2-80822
B	HEAD, ADAPTER (WITH BUSHINGS)	DX2-80823
C	HOUSING, RIGHT ANGLE	DX2-80820
D	LEVER, 90 DEGREE	DX1-86852
E	PIN, LEVER	DX1-49999
F	SCREW, ASS'Y (4)	DX1-39263
G	SCREW, LOCK (1)	DX2-82855

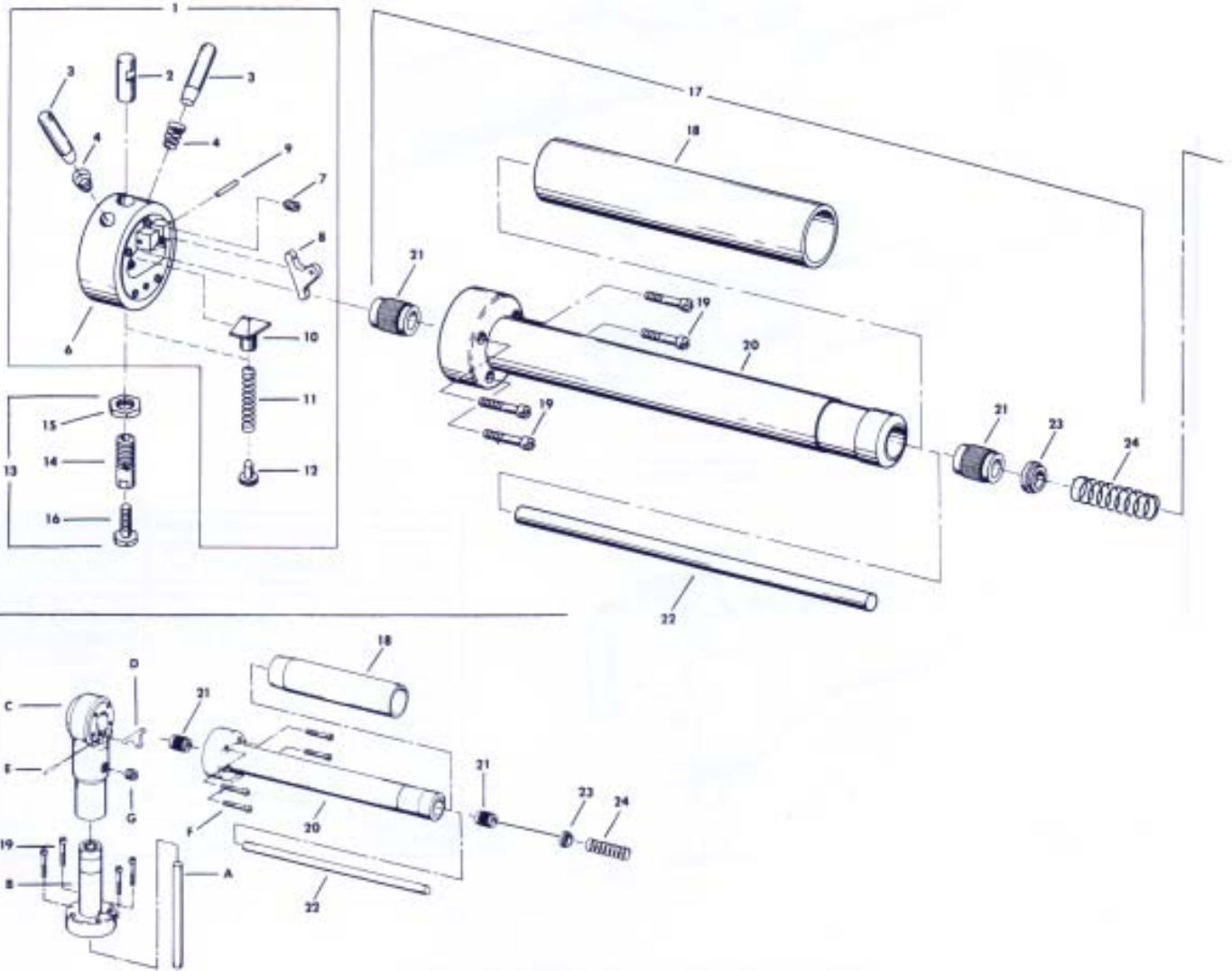
EXT. HSG. ASS'Y DET 17	"A" LENGTH	EXTENSION HOUSING DET 20	EXTENSION PLUNGER DET 22	EXTENSION TUBING DET 18
DX2-81002	3"	DX2-85152	DX2-85252	DX2-85452
DX2-8100204	4"	DX-87863	DX2-85253	DX-87563
DX2-8100205	5"	DX-87864	DX2-85254	DX-87564
DX2-8100206	6"	DX2-85172	DX2-85256	DX2-85492
DX2-8100208	8"	DX-87867	DX-88367	DX-87567
DX2-8100210	10"	DX-87869	DX-88369	DX-87569
DX2-8100212	12"	DX-87871	DX-88371	DX-87571
DX2-8100214	14"	DX-87873	DX-88373	DX-87573
DX2-8100216	16"	DX-87875	DX-88375	DX-87575
DX2-8100218	18"	DX-87877	DX-88377	DX-87577
DX2-8100224	24"	DX-87883	DX-88383	DX-87583
DX2-8100230	30"	DX-87889	DX-85305	DX-87589
DX2-8100236	36"	DX-87890	DX-85306	DX-87590

ITEM	PART NAME	REGULAR	RIGHT ANGLE	VERTICAL	PERPENDICULAR
		STYLE 1	STYLE 2	STYLE 3	STYLE 4
17	EXTENSION HOUSING ASSEMBLY	(SEE CHART)	-----	(SEE CHART)	(SEE CHART)
18	TUBING	DX2-85452	DX2-85455	DX2-85492	DX2-85492
19	SCREW, ASSEMBLY (2)	DX2-87252	DX2-87252	DX2-87252	DX2-87252
20	HOUSING, EXTENSION	DX2-85152	DX2-80825	DX2-85172	DX2-85172
21	BUSHING (2)	DX2-85158	DX2-85158	DX2-85158	DX2-85158
22	PLUNGER, EXTENSION	DX2-85252	DX2-85256	DX2-85256	DX2-85256
23	COLLAR, EXTENSION PLUNGER	DX2-89462	DX2-89462	DX2-89466	DX2-89466
24	SPRING, EXTENSION PLUNGER	DX2-89362	DX2-89365	DX2-89362	DX2-89365
25	DIAL UNIT		FOR SERVICE PARTS REFER TO PAGE 13 FOR APPROPRIATE		
	BOX*	DX2-89952	PARTS DIAGRAM		

*FOR STANDARD "A" LENGTH



SECTION B
SIZE 3 STYLE 1, 2, 3, 4 & 6 DIAL BORE GAGE
 (1.500 - 2.156 Inch Range Gages)

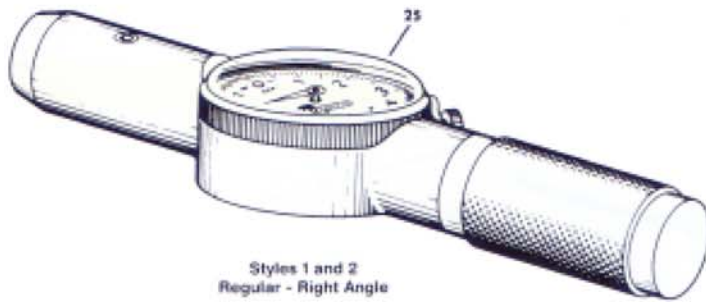


ITEM	PART NAME	PART NUMBER	
1	GAGING UNIT ASSEMBLY	PLUNGER MATERIAL	
		GAGING	
		CENTRALIZING	
		STEEL	DX2-86053
		T.C.	DX2-86111
		DIAMOND	DX2-86073
2	PLUNGER, GAGING (.428 INCH LONG)	STEEL	DX2-86453
		T.C.	DX2-86493
		DIAMOND	DX2-86473
3	PLUNGER, CENTRALIZING (.627 INCH LONG) (2) (“E” RING INCLUDED)	STEEL	DX2-86553
		T.C.	DX2-86593
4	SPRING, CENTRALIZER	DX2-89253	
5	“E” RING (NOT SHOWN)	DX2-85558	
6	HEAD	DX2-86153	
7	SCREW, GAGING PLUNGER STOP	DX2-87455	
8	LEVER, 90 DEGREE	DX1-86852	
9	PIN, LEVER	DX1-49999	
10	EQUALIZER	DX2-86353	
11	SPRING, EQUALIZER	DX2-89353	
12	SCREW, ADJUSTING	DX2-88453	

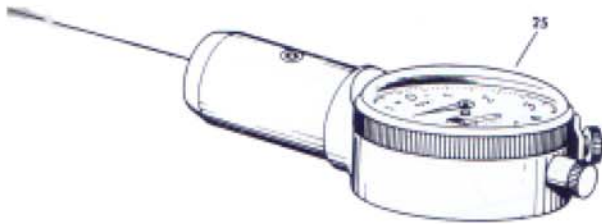
ITEM	PART NAME	PART NUMBER		
13	RANGE EXTENSION ASSEMBLY	STEEL CONTACT POINT	DX2-85836	
		T.C. CONTACT POINT	DX2-85993	
		DIAMOND CONTACT POINT	DX2-85973	
14	RANGE EXTENSIONS (12-40 THREAD) EXTENSION LENGTH	RANGE		
		.312 INCH	1.500 - 1.625	DX2-85831
		.453 INCH	1.625 - 1.750	DX2-85832
		.593 INCH	1.750 - 1.875	DX2-85833
		.734 INCH	1.875 - 2.000	DX2-85834
		.875 INCH	2.000 - 2.156	DX2-85835
15	LOCKNUT	(5)		
16	CONTACT POINT (5-44 THREAD)	(1) STEEL	DX2-86652	
		(1) T.C.	DX2-86692	
		(1) DIAMOND	DX2-86672	



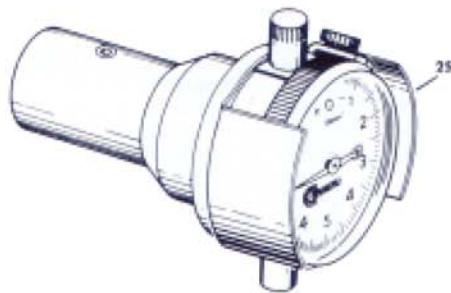
SECTION B
SIZE 3 STYLE 1, 2, 3, 4 & 6 DIAL BORE GAGE
 (1.500 - 2.158 Inch Range Gages)



Styles 1 and 2
Regular - Right Angle



Styles 3 and 6
Vertical - Interbloc*



Style 4
Perpendicular

ITEMS NOT SHOWN	
WRENCH, HEX	DX2-89941
WRENCH, EXTENSION	DX2-89944
WRENCH, LOCKNUT AND CONTACT POINT	DX2-89945
ADAPTOR, RANGE EXTENSION (TO 3.125 INCHES)	DS-B0-85934

ITEM	PART NAME	PART NUMBER
A	PLUNGER, HEAD EXTENSION	DX2-80822
B	HEAD, ADAPTER (WITH BUSHINGS)	DX2-80823
C	HOUSING, RIGHT ANGLE	DX2-80820
D	LEVER, 90 DEGREE	DX1-86852
E	PIN, LEVER	DX1-49999
F	SCREW, ASSY (4)	DX1-39263
G	SCREW, LOCK (1)	DX2-82855

EXT. HSG. ASSY DET 17	"A" LENGTH	EXTENSION HOUSING DET 20	EXTENSION PLUNGER DET 22	EXTENSION TUBING DET 18
DX2-8100503	3"	DX2-85165	DX2-85252	DX-85453A
DX2-8100504	4"	DX2-85153	DX2-85253	DX2-85453
DX2-8100505	5"	DX2-85154	DX2-85254	DX2-85454
DX2-8100506	6"	DX2-85155	DX2-85256	DX2-85455
DX2-8100508	8"	DX-DX-87967	DX-88367	DX-87667
DX2-8100510	10"	DX-DX-87969	DX-88369	DX-87669
DX2-8100512	12"	DX-DX-87971	DX-88371	DX-87671
DX2-8100514	14"	DX-87973	DX-88373	DX-87673
DX2-8100516	16"	DX-87975	DX-88375	DX-87675
DX2-8100518	18"	DX-87977	DX-88377	DX-87677
DX2-8100524	24"	DX-87983	DX-88383	DX-87683
DX2-8100530	30"	DX-87999	DX-85305	DX-87689
DX2-8100536	36"	DX-88000	DX-85306	DX-87690

ITEM	PART NAME	REGULAR	RIGHT ANGLE	VERTICAL	PERPENDICULAR	
		STYLE 1	STYLE 2	STYLE 3	STYLE 4	
17	EXTENSION HOUSING ASSEMBLY	(SEE CHART)	-----	(SEE CHART)	-----	
18	TUBING	DX2-85453	DX2-85455	DX2-85455	DX2-85455	
19	SCREW, ASSEMBLY (2)	DX2-87255	DX2-87255	DX2-87255	DX2-87255	
20	HOUSING, EXTENSION	DX2-85253	DX2-80825	DX2-85155	DX2-85155	
21	BUSHING (2)	DX2-85158	DX2-85158	DX2-85158	DX2-85158	
22	PLUNGER, EXTENSION	DX2-85253	DX2-85256	DX2-85256	DX2-85256	
23	COLLAR, EXTENSION PLUNGER	DX2-89466	DX2-89466	DX2-89466	DX2-89466	
24	SPRING, EXTENSION PLUNGER	DX2-89365	DX2-89365	DX2-89365	DX2-89365	
25	DIAL UNIT		FOR SERVICE PARTS REFER TO PAGE 13 FOR APPROPRIATE			
	BOX*	DX2-89953	PARTS DIAGRAM			

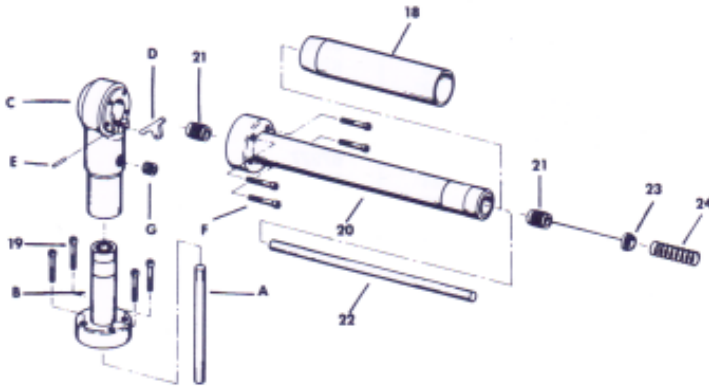
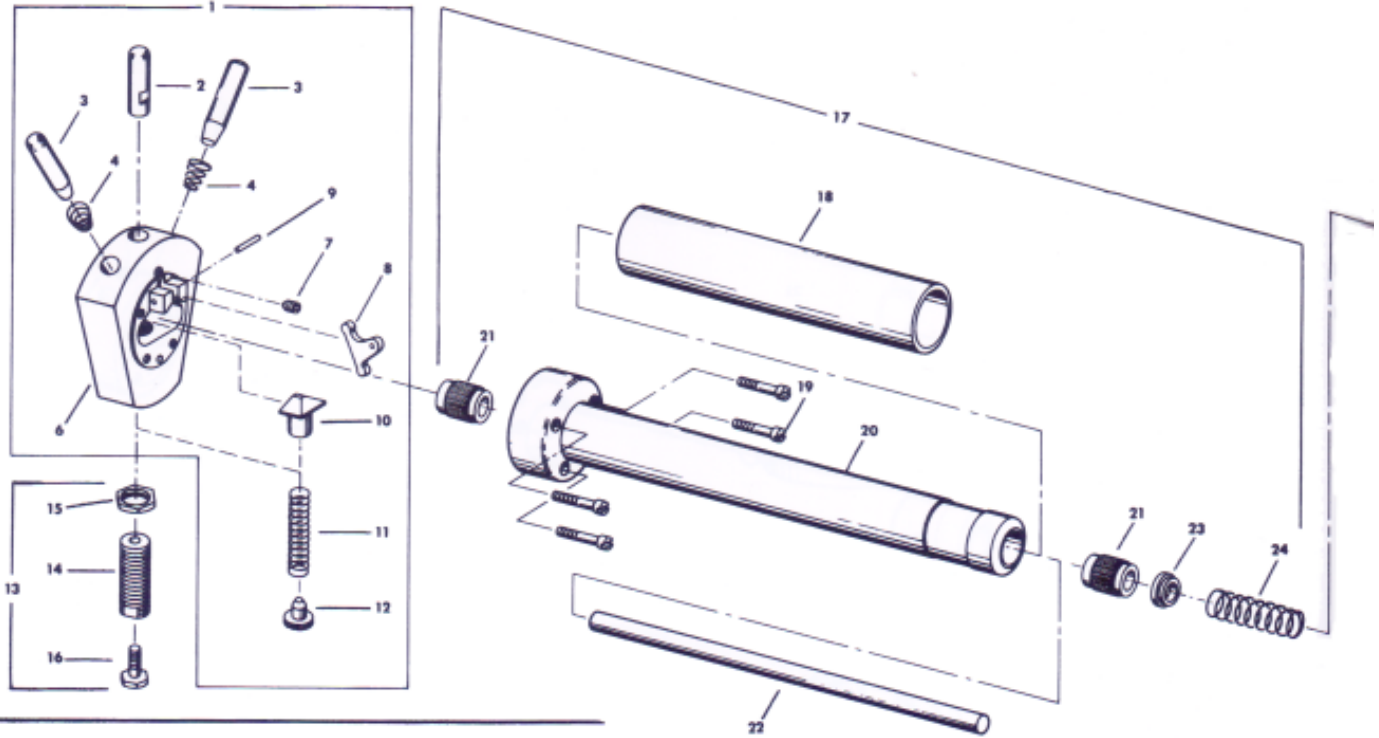
*FOR STANDARD "A" LENGTH

Revised: 9-18-03

Proudly made in the USA



SECTION B
SIZE 4 STYLE 1, 2, 3, 4 & 6 DIAL BORE GAGE
 (2.125 - 3.125 Inch Range Gages)



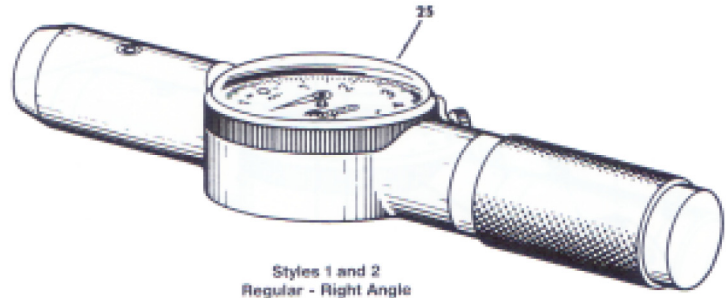
ITEM	PART NAME	PART NUMBER
A	PLUNGER, HEAD EXTENSION	DX2-80822
B	HEAD, ADAPTER (WITH BUSHINGS)	DX2-80823
C	HOUSING, RIGHT ANGLE	DX2-80820
D	LEVER, 90 DEGREE	DX1-86852
E	PIN, LEVER	DX1-49999
F	SCREW, ASS'Y (4)	DX1-39263
G	SCREW, LOCK (1)	DX2-82855

ITEM	PART NAME	PART NUMBER		
1	GAGING UNIT ASSEMBLY	PLUNGER MATERIAL		
		GAGING	CENTRALIZING	
		STEEL	STEEL	DX2-86054
		T.C.	STEEL	DX2-86115
		DIAMOND	STEEL	DX2-86074
		T.C.	T.C.	DX2-86094
DIAMOND	T.C.	DX2-86116		
2	PLUNGER, GAGING (.638 INCH LONG)	STEEL DX2-86454		
		T.C. DX2-86494		
		DIAMOND DX2-86474		
3	PLUNGER, CENTRALIZING (.960 INCH LONG) (2) (“E” RING INCLUDED)	STEEL DX2-86554		
		T.C. DX2-86594		
4	SPRING, CENTRALIZER (2)	DX2-89255		
5	“E” RING (NOT SHOWN) (2)	DX2-85558		
6	HEAD	DX2-86154		
7	SCREW, GAGING PLUNGER STOP	DX2-87455		
8	LEVER, 90 DEGREE	DX1-86852		
9	PIN, LEVER	DX1-49999		
10	EQUALIZER	DX2-86354		
11	SPRING, EQUALIZER	DX2-89355		
12	SCREW, ADJUSTING	DX2-88455		

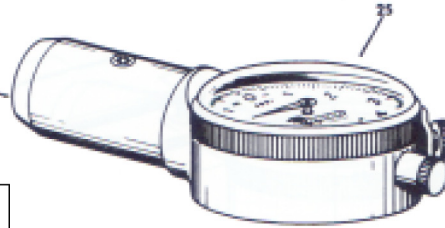
ITEM	PART NAME	PART NUMBER		
13	RANGE EXTENSION ASSEMBLY	STEEL CONTACT POINT DX2-85845		
		T.C. CONTACT POINT DX2-85994		
		DIAMOND CONTACT POINT DX2-85974		
14	RANGE EXTENSIONS (5/16-40 THREAD)	EXTENSION LENGTH		
		RANGE		
		.312 INCH	1.500 - 1.625	DX2-85841
		.453 INCH	1.625 - 1.750	DX2-85851
		.593 INCH	1.750 - 1.875	DX2-85843
.734 INCH	1.875 - 2.000	DX2-85844		
15	LOCKNUT (4)	DX2-85951		
16	CONTACT POINT (5-44 THREAD)	(1) STEEL DX2-86652		
		(1) T.C. DX2-86692		
		(1) DIAMOND DX2-86672		



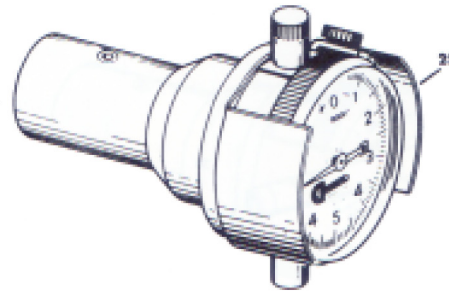
SECTION B
SIZE 4 STYLE 1, 2, 3, 4 & 6 DIAL BORE GAGE
 (2.125 - 3.125 Inch Range Gages)



Styles 1 and 2
Regular - Right Angle



Styles 3 and 6
Vertical - Interbloc*



Style 4
Perpendicular

ITEMS NOT SHOWN	
WRENCH, HEX	DX2-89941
WRENCH, EXTENSION	DX2-89944
WRENCH, LOCKNUT AND CONTACT POINT	DX2-89945
ADAPTER, RANGE EXTENSION (TO 4.00 INCHES)	DS-B0-85942

EXT. HSG. ASS'Y DET 17	"A" LENGTH	EXTENSION HOUSING DET 20	EXTENSION PLUNGER DET 22	EXTENSION TUBING DET 18
DX2-8100503	3"	DX2-85165	DX2-85252	DX-85453A
DX2-8100504	4"	DX2-85153	DX2-85253	DX2-85453
DX2-8100505	5"	DX2-85154	DX2-85254	DX2-85454
DX2-8100506	6"	DX2-85155	DX2-85256	DX2-85455
DX2-8100508	8"	DX-DX-87967	DX-88367	DX-87667
DX2-8100510	10"	DX-DX-87969	DX-88369	DX-87669
DX2-8100512	12"	DX-DX-87971	DX-88371	DX-87671
DX2-8100514	14"	DX-87973	DX-88373	DX-87673
DX2-8100516	16"	DX-87975	DX-88375	DX-87675
DX2-8100518	18"	DX-87977	DX-88377	DX-87677
DX2-8100524	24"	DX-87983	DX-88383	DX-87683
DX2-8100530	30"	DX-87999	DX-85305	DX-87689
DX2-8100536	36"	DX-88000	DX-85306	DX-87690

ITEM	PART NAME	REGULAR	RIGHT ANGLE	VERTICAL	PERPENDICULAR
		STYLE 1	STYLE 2	STYLE 3	STYLE 4
17	EXTENSION HOUSING ASSEMBLY	(SEE CHART)	-----	(SEE CHART)	(SEE CHART)
18	TUBING	DX2-85454	DX2-85455	DX2-85455	DX2-85455
19	SCREW, ASSEMBLY (2)	DX2-85455	DX2-87252	DX2-87255	DX2-87255
20	HOUSING, EXTENSION	DX2-85154	DX2-80825	DX2-85155	DX2-85155
21	BUSHING (2)	DX2-85158	DX2-85158	DX2-85158	DX2-85158
22	PLUNGER, EXTENSION	DX2-85254	DX2-85256	DX2-85256	DX2-85256
23	COLLAR, EXTENSION PLUNGER	DX2-89466	DX2-89466	DX2-89466	DX2-89466
24	SPRING, EXTENSION PLUNGER	DX2-89365	DX2-89365	DX2-89365	DX2-89365
25	DIAL UNIT	FOR SERVICE PARTS REFER TO PAGE 13 FOR APPROPRIATE			
	BOX*	DX2-89954	PARTS DIAGRAM		

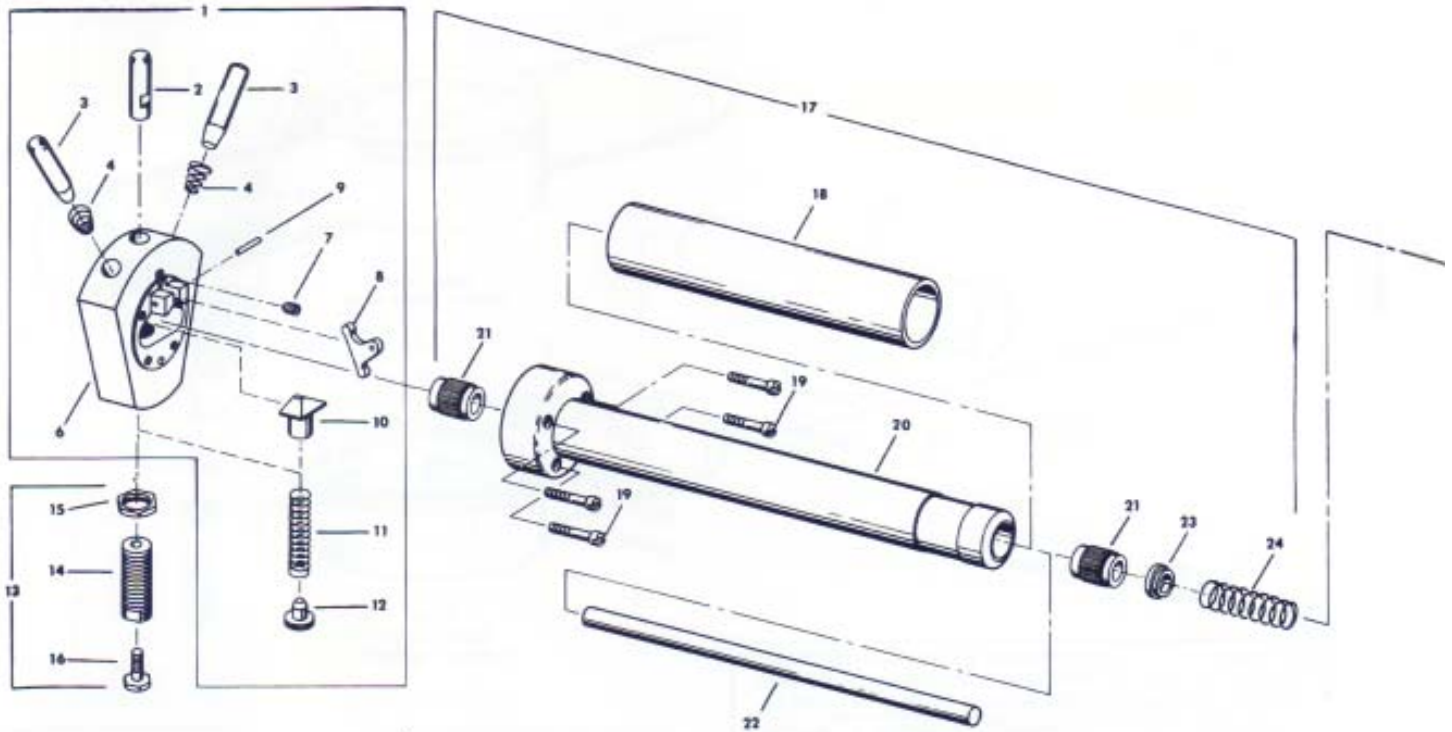
*FOR STANDARD "A" LENGTH

Revised: 9-18-03

Proudly made in the USA



SECTION B
SIZE 5 STYLE 1, 2, 3, 4 & 6 DIAL BORE GAGE
 (3.094 - 6.125 Inch Range Gages)



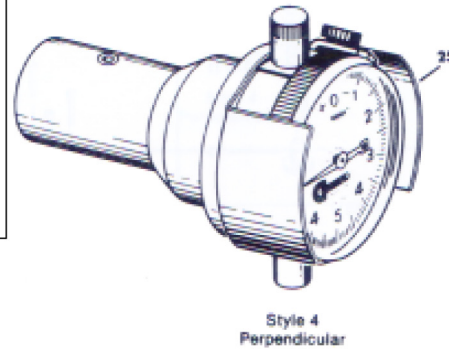
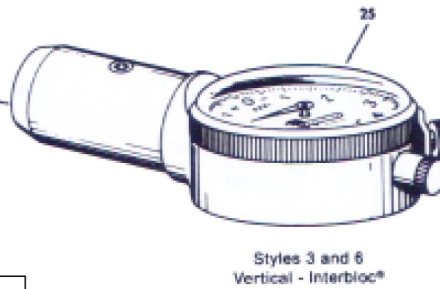
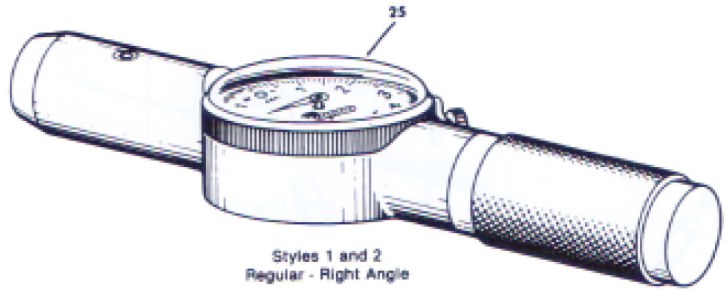
ITEMS NOT SHOWN		
WRENCH, HEX		DX2-89941
WRENCH, EXTENSION		DX2-89944
WRENCH, LOCKNUT AND CONTACT POINT		DX2-89945
ADAPTOR, RANGE EXTENSION (TO 8.00 INCHES)		DS-B0-85952

ITEM	PART NAME	PART NUMBER
A	PLUNGER, HEAD EXTENSION	DX2-80822
B	HEAD, ADAPTER (WITH BUSHINGS)	DX2-80823
C	HOUSING, RIGHT ANGLE	DX2-80820
D	LEVER, 90 DEGREE	DX1-86852
E	PIN, LEVER	DX1-49999
F	SCREW, ASS'Y (4)	DX1-39263
G	SCREW, LOCK (1)	DX2-82855

ITEM	PART NAME	PART NUMBER		
1	GAGING UNIT ASSEMBLY	PLUNGER MATERIAL		
		GAGING	CENTRALIZING	
		STEEL	STEEL	DX2-86055
		T.C.	STEEL	DX2-86119
		DIAMOND	STEEL	DX2-86075
		T.C.	T.C.	DX2-86095
		DIAMOND	T.C.	DX2-86065
2	PLUNGER, GAGING (1.120 INCH LONG)	STEEL T.C. DIAMOND DX2-86455 DX2-86495 DX2-86475		
3	PLUNGER, CENTRALIZING (1.490 INCH LONG) (2) (“E” RING INCLUDED)	STEEL T.C. DX2-86555 DX2-86595		
4	SPRING, CENTRALIZER (2)	DX2-89255		
5	“E” RING (NOT SHOWN) (2)	DX2-85558		
6	HEAD	DX2-86155		
7	SCREW, GAGING PLUNGER STOP	DX2-87455		
8	LEVER, 90 DEGREE	DX1-86852		
9	PIN, LEVER	DX1-49999		
10	EQUALIZER	DX2-86355		
11	SPRING, EQUALIZER	DX2-89355		
12	SCREW, ADJUSTING	DX2-88455		

ITEM	PART NAME	PART NUMBER		
13	RANGE EXTENSION ASSEMBLY	STEEL CONTACT POINT	DX2-85858	
		T.C. CONTACT POINT	DX2-85995	
		DIAMOND CONTACT POINT	DX2-85975	
14	RANGE EXTENSIONS (5/16-40 THREAD)	EXTENSION LENGTH	RANGE	
		.812 INCH	3.094 - 3.500	DX2-85851
		1.250 INCH	3.500 - 3.938	DX2-85852
		1.688 INCH	3.938 - 4.375	DX2-85853
		2.125 INCH	4.375 - 4.812	DX2-85854
		2.562 INCH	4.812 - 5.250	DX2-85855
		3.000 INCH	5.250 - 5.688	DX2-85856
		3.438 INCH	5.688 - 6.125	DX2-85857
15	LOCKNUT	(7) DX2-85951		
16	CONTACT POINT (5-44 THREAD)	(1) STEEL	DX2-86652	
		(1) T.C.	DX2-86692	
		(1) DIAMOND	DX2-86672	

SECTION B
SIZE 5 STYLE 1, 2, 3, 4 & 6 DIAL BORE GAGE
 (3.094 - 6.125 Inch Range Gages)



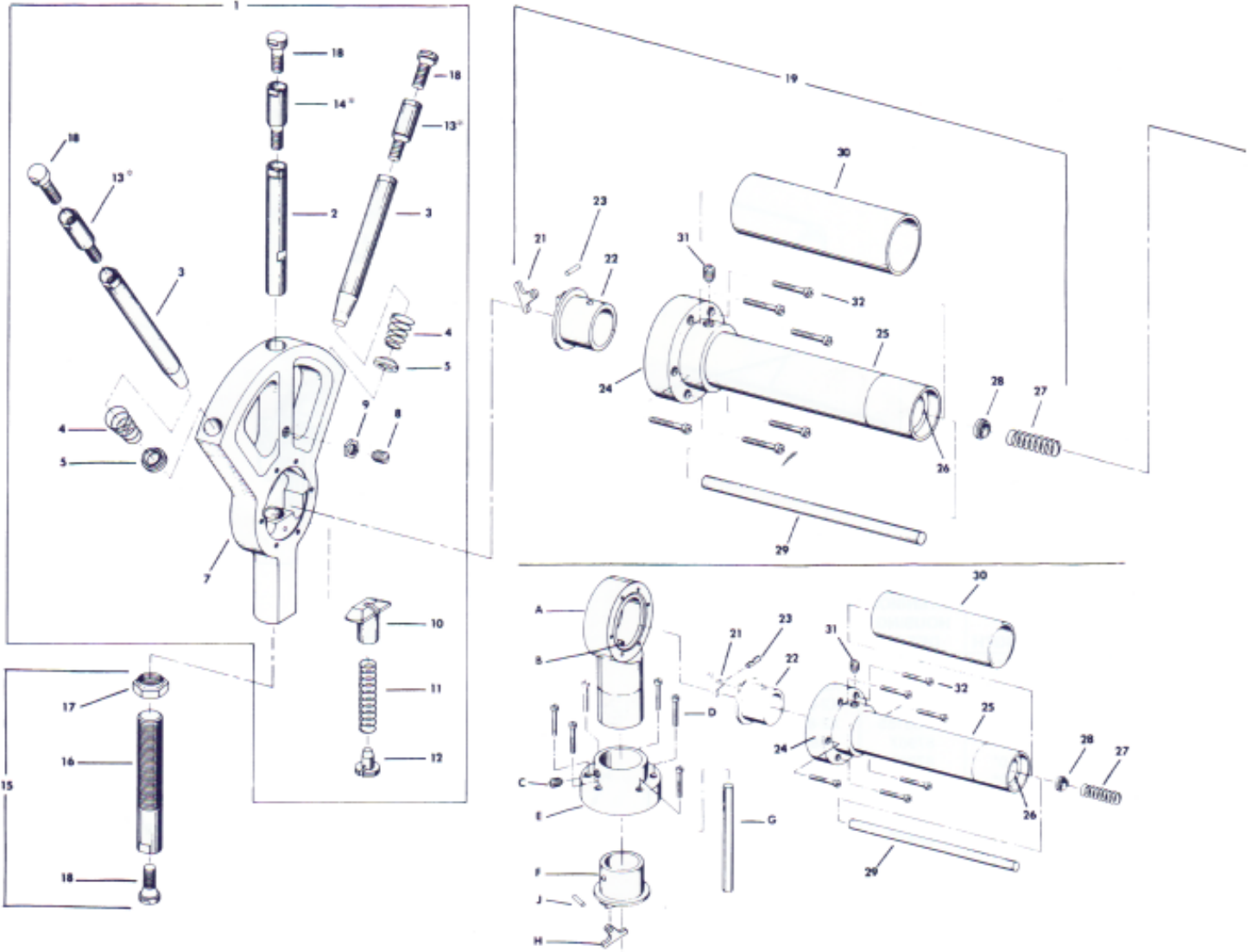
EXT. HSG. ASS'Y DET 17	"A" LENGTH	EXTENSION HOUSING DET 20		EXTENSION PLUNGER DET 22		EXTENSION TUBING DET 18	
DX2-8100503	3"	DX2-85165		DX2-85252		DX-85453A	
DX2-8100504	4"	DX2-85153		DX2-85253		DX2-85453	
DX2-8100505	5"	DX2-85154		DX2-85254		DX2-85454	
DX2-8100506	6"	DX2-85155		DX2-85256		DX2-85455	
DX2-8100508	8"	DX-DX-87967		DX-88367		DX-87667	
DX2-8100510	10"	DX-DX-87969		DX-88369		DX-87669	
DX2-8100512	12"	DX-DX-87971		DX-88371		DX-87671	
DX2-8100514	14"	DX-87973		DX-88373		DX-87673	
DX2-8100516	16"	DX-87975		DX-88375		DX-87675	
DX2-8100518	18"	DX-87977		DX-88377		DX-87677	
DX2-8100524	24"	DX-87983		DX-88383		DX-87683	
DX2-8100530	30"	DX-87999		DX-85305		DX-87689	
DX2-8100536	36"	DX-88000		DX-85306		DX-87690	

ITEM	PART NAME	REGULAR	RIGHT ANGLE	VERTICAL	PERPENDICULAR
		STYLE 1	STYLE 2	STYLE 3	STYLE 4
17	EXTENSION HOUSING ASSEMBLY	(SEE CHART)	-----	(SEE CHART)	(SEE CHART)
18	TUBING	DX2-85455	DX2-85455	DX2-85455	DX2-85455
19	SCREW, ASSEMBLY (2)	DX2-87255	DX2-87252	DX2-87255	DX2-87255
20	HOUSING, EXTENSION	DX2-85155	DX2-80825	DX2-85155	DX2-85155
21	BUSHING (2)	DX2-85158	DX2-85158	DX2-85158	DX2-85158
22	PLUNGER, EXTENSION	DX2-85256	DX2-85256	DX2-85256	DX2-85256
23	COLLAR, EXTENSION PLUNGER	DX2-89466	DX2-89466	DX2-89466	DX2-89466
24	SPRING, EXTENSION PLUNGER	DX2-89365	DX2-89365	DX2-89365	DX2-89365
25	DIAL UNIT BOX*	DX2-89955	FOR SERVICE PARTS REFER TO PAGE 13 FOR APPROPRIATE PARTS DIAGRAM		

*FOR STANDARD "A" LENGTH



SECTION B
SIZE 6 STYLE 1, 2, 3 & 4 DIAL BORE GAGE
 (6.000 - 12.125 Inch Range Gages)



ITEM	PART NAME	PART NUMBER	
1	GAGING UNIT ASSEMBLY	PLUNGER MATERIAL	
		GAGING	CENTRALIZING
	STEEL	STEEL	DX2-86056
	T.C.	STEEL	DX2-86066
	DIAMOND	STEEL	DX2-86076
	T.C.	T.C.	DX2-86096
	DIAMOND	T.C.	DX2-86064
	2	PLUNGER, GAGING (2.593 INCH LONG)	DX2-86456
	3	PLUNGER, CENTRALIZING (3.052 INCH LONG) ("E" RING INCLUDED)(2)	DX2-86556
	4	SPRING, CENTRALIZER (2)	DX2-89256
5	WASHER, CENTRALIZER (2)	DX2-89456	
6	"E" RING (NOT SHOWN)	DX2-85559	
7	HEAD	DX2-86156	
8	SCREW, GAGING PLUNGER STOP	DX2-87456	
9	LOCKNUT	DX2-85932	
10	EQUALIZER	DX2-86356	
11	SPRING, EQUALIZER	DX2-89356	
12	SCREW, ADJUSTING	DX2-88456	
13"	EXTENSION, CENTRALIZING PLUNGER (DETAIL "A" .837 INCH LONG) (2)	DX2-86259	
		DX2-86260	
14"	EXTENSION, GAGING PLUNGER	(DETAIL "B" .750 INCH LONG) DX2-86458	
		(DETAIL "C" .625 INCH LONG) DX2-86457	

ITEM	PART NAME	PART NUMBER		
15	RANGE EXTENSION ASSEMBLY	STEEL CONTACT POINT	DX2-85867	
		T.C. CONTACT POINT	DX2-85996	
		DIAMOND CONTACT POINT	DX2-85976	
16	RANGE EXTENSIONS (7/16-40 THREAD) EXTENSION LENGTH	RANGE		
		1.812	6.000 - 7.000	DX2-85861
		2.812	7.000 - 8.000	DX2-85862
		3.812	8.000 - 9.000	DX2-85863
		4.094	9.000 - 10.000	DX2-85864
		5.094	10.000 - 11.000	DX2-85865
		6.094	11.000 - 12.125	DX2-85866
17	LOCKNUT	(7) DX2-85961		
18	CONTACT POINT (5-44 THREAD)	(1) STEEL	DX2-86656	
		(1) T.C.	DX2-86696	
		(1) DIAMOND	DX2-86676	

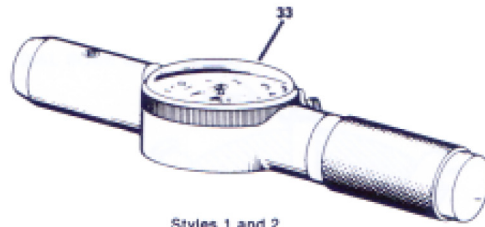
T INCLUDED IN ITEM 1

Revised: 9-18-03

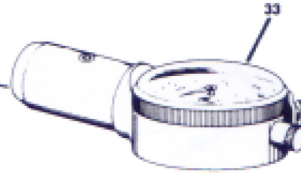
Proudly made in the USA 

SECTION B
SIZE 6 STYLE 1, 2, 3 & 4 DIAL BORE GAGE
 (6.000 - 12.125 Inch Range Gages)

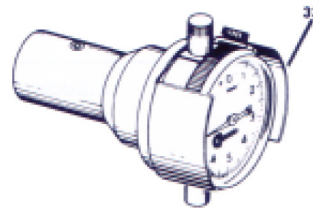
ITEMS NOT SHOWN		PART NUMBER
WRENCH, HEX		DX2-89942
WRENCH, EXTENSION AND LOCKNUT		DX2-89947
WRENCH, CONTACT POINT		DX2-89946
RANGE, EXTENSION SET:		DS-BO-85966
INCLUDES ALL NECESSARY RANGE EXTENSION DETAILS REQUIRED FOR 12.125 THRU 24.56 INCH RANGES. (REFER TO DORSEY STANDARD GAGE ENGINEERING DATA SHEET #6033 FOR SPECIFIC PART NUMBER DETAILS AND ASSEMBLY DRAWING)		



Styles 1 and 2
Regular - Right Angle



Style 3
Vertical



Style 4
Perpendicular

ITEM	PART NAME	PART NUMBER
A	HOUSING, RIGHT ANGLE	87702
B	BUSHING	DX5-73016
C	SCREW, SET	DX2-88656
D	SCREW, ASS'Y (6)	DX5-82656
E	HOUSING, CONNECTING	DX2-85756
F	SUPPORT, LEVER	DX2-86856
G	PLUNGER, HEAD EXTENSION	DX2-85253
H	LEVER, 90 DEGREE	DX1-86852
J	PIN, LEVER	DX1-49999

EXT. HSG. ASS'Y DET 17	"A" LENGTH	EXTENSION HOUSING DET 20	EXTENSION PLUNGER DET 22	EXTENSION TUBING DET 18
DX2-81006	6"	DX2-85156	DX2-85256	DX2-85456
DX2-8100608	8"	DX-85107	DX-88367	DX-85468
DX2-8100610	10"	DX-85109	DX-88369	DX-85470
DX2-8100612	12"	DX-85111	DX-88371	DX-85472
DX2-8100614	14"	DX-85113	DX-88373	DX-85474
DX2-8100616	16"	DX-85115	DX-88375	DX-85476
DX2-8100618	18"	DX-85117	DX-88377	DX-85478
DX2-8100624	24"	DX-85124	DX-88383	DX-85485
DX2-8100630	30"	DX-85130	DX-85305	DX-85491
DX2-8100636	36"	DX-85136	DX-85306	DX-85494

ITEM	PART NAME	REGULAR STYLE 1	RIGHT ANGLE STYLE 2	VERTICAL STYLE 3	PERPENDICULAR STYLE 4
19	EXTENSION HOUSING ASSEMBLY	(SEE CHART)	-----	(SEE CHART)	-----
20	HOUSING, EXTENSION	DX2-85156	DX2-85156	DX2-85156	DX2-85156
21	LEVER, 90 DEGREE	DX1-86852	DX1-86852	DX1-86852	DX1-86852
22	SUPPORT, LEVER	DX2-86856	DX2-86856	DX2-86856	DX2-86856
23	PIN, LEVER	DX1-49999	DX1-49999	DX1-49999	DX1-49999
24	HOUSING, CONNECTING	DX2-85756	DX2-85756	DX2-85756	DX2-85756
25	TUBING, EXTENSION	DX2-85456	DX2-85456	DX2-85546	DX2-85356
26	BEARING, CONNECTING	DX2-85556	DX2-85556	DX2-85556	DX2-85556
27	SPRING, EXTENSION PLUNGER	DX2-89366	DX2-89366	DX2-89366	DX2-89365
28	COLLAR, EXTENSION PLUNGER	DX2-89466	DX2-89466	DX2-89466	DX2-89466
29	PLUNGER, EXTENSION	DX2-85256	DX2-85256	DX2-85256	DX2-85256
30	TUBING	DX2-85456	DX2-85456	DX2-85456	DX2-85456
31	SCREW, SET	DX2-88656	DX2-88656	DX2-88656	DX2-88656
32	SCREW, ASS'Y (6)	DX2-82656	DX2-82656	DX2-82656	DX2-82656
33	DIAL UNIT				
	BOX	DX2-89956	DX2-89906		



Let Dorsey be your precision problem solver



HIGH AMPLIFICATION DIAL INDICATORS
Graduations as fine as .00002"
(1/2 micron)



LIGHT WEIGHT "C" FRAME LARGE DIAMETER GAGES
Available in sizes up to 90"



COUNTERSINK AND CHAMFER GAGES
For ID or OD applications. Digital or dial indicators available



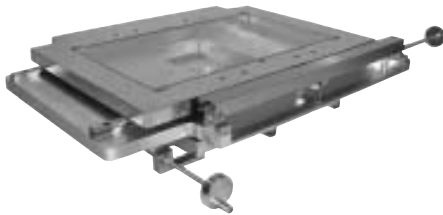
PRECISION VERNIER OR DIGITAL MICROMETERS
Sizes up to 4"



PRECISION VERNIER OR CALIPER GAGES
Sizes up to 80"



DIGITAL SURFACE FINISH GAGES
Displays results in R_a , R_{max} or R_y or R_z



OPEN FRAME COORDINATE STAGING
Motorized or manual with quick release, travel up to 24" x 24"



LARGE DIAMETER ID/OD GAGES
The largest selection of fixed and adjustable models



BENCH STAND COMPARATORS
Designed for high accuracy production applications



VERTICAL OPTICAL COMPARATORS
Screen sizes from 12" to 40"
Stage travel up to 8"x16"



53 Oakley Street
Poughkeepsie, NY 12602
Tel: (845)454-3111 Fax: (845)454-3888
www.DorseyMetrology.com

Proudly made in the USA



HORIZONTAL OPTICAL COMPARATORS
Screen sizes from 12" to 80"
Stage travel up to 30" x 10"