



CAD CONTROL SYSTEMS

PARTS CATALOG

Introduction

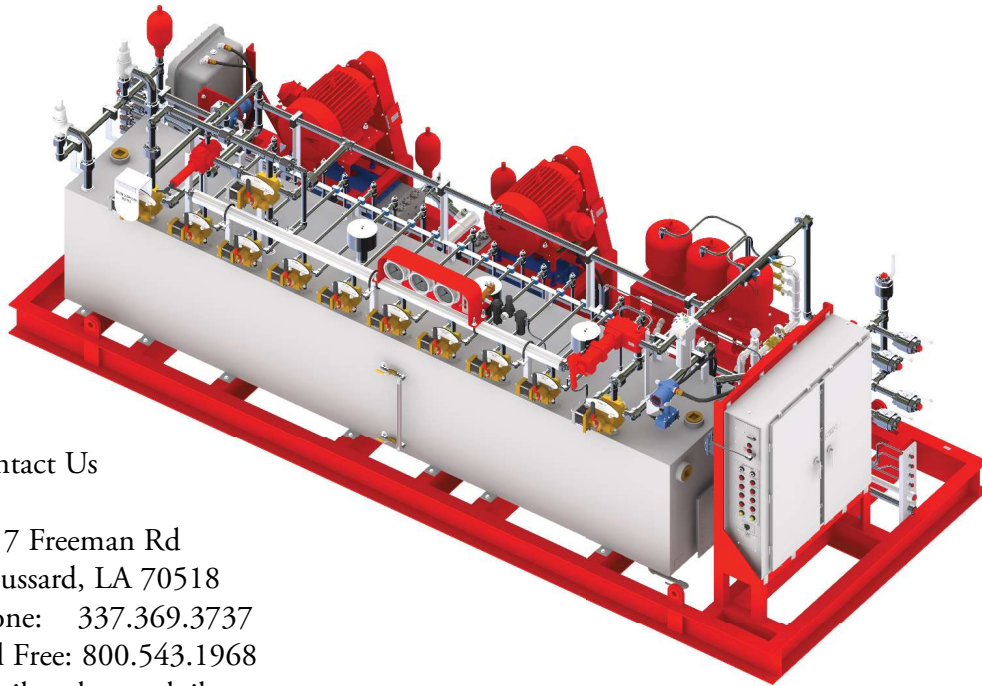
CAD CONTROL SYSTEMS

This parts manual was developed as part of CAD Control Systems commitment to our customers by providing superior service. It represents thousands of hours of development time and is the industries' first and only spare parts manual in full three dimensional color.

We carry the most complete inventory of any Surface BOP Controls manufacturer in the world with stocking locations in:

- > Broussard, Louisiana
- > Odessa, Texas
- > Dubai, United Arab Emirates
- > Singapore

This manual covers 1000's of the most commonly used components. Please contact our sales staff for any parts you require that are not listed in the manual. We can also cross-reference other manufacturer's part numbers and carry many obsolete or hard to find items.



Contact Us

1017 Freeman Rd
Broussard, LA 70518
Phone: 337.369.3737
Toll Free: 800.543.1968
Email: sales@cadoil.com
Web: www.cadoil.com

ACCUMULATORS

1 pt. Bottom Loading 3,000 PSI.....	6
1 qt. Bottom Loading 3,000 PSI.....	8
1 Gallon Bottom Loading 3,000 PSI.....	10
5 Gallon Bottom Loading 3,000 PSI.....	12
10 Gallon Bottom Loading 3,000 PSI.....	14
11 Gallon Bottom Loading 3,000 PSI.....	16
11 Gallon SAE Top Loading 3,000 PSI.....	18
11 Gallon Top Loading 3,000 PSI.....	20
15 Gallon Top Loading 3,000 PSI.....	22
15 Gallon Bottom Loading 3,000 PSI.....	24
15 Gallon SAE Top Loading 3,000 PSI.....	26
15 Gallon SAE Top Loading 5,000 PSI.....	28

TRIPLEX PUMPS

10 Series.....	31
30 & 60 Series.....	35
120 Series.....	41
C45 Series.....	45
C65 Series.....	49
C75 Series.....	53
C85 Series - 6821.....	57
C85 Series - 6831.....	61
C85 Series - 6835.....	65
Hydroplex 350.....	69
Hydroplex 550.....	75

PNEUMATIC OPERATED PUMPS

7 3/8" Dia. Air Motor.....	80
60:1 Ratio, Fluid End for 7 3/8" Air Motor.....	82
High Pressure Fluid End for 7 3/8" & 8 1/2".....	84
8 1/2" Dia. Air Motor.....	86
60:1 Ratio, Fluid End for 8 1/2" Air Motor.....	88
40:1 Ratio, Fluid End.....	90
45:1 Ratio - King Air Motor.....	92

REGULATORS

High Pressure Unloading Valve.....	97
------------------------------------	----

1" Manual Model G.....	99
1/2" Manual Model G.....	101
1" Fail Safe Model G.....	103
1 1/2" Manual Model G Series A.....	105
1 1/2" Fail Safe Model G Series A.....	107
1 1/2" Fail Safe Model G Series A.....	109
1 1/2" Fail Safe Model 5 Series LD - 3000 PSI Output.....	111
1 1/2" Fail Safe Model C5 Series - 1500 PSI Output.....	113
1" Manual (4-Series) - 1500 PSI Output.....	116
1/2" Manual Model B.....	118
1/2" Failsafe.....	120
1 1/2" Fail Safe Model C Series LD - 1500 PSI Output.....	122
1 1/2" Fail Safe Model C Series LD - 3000 PSI Output.....	124
1 1/2" Manual Model C Series - 3000 PSI Output.....	126

VALVES

1/2" & 1" By-Pass 3,000 PSI.....	129
1" By-Pass 3,000 PSI w/Integral Remote Cylinder.....	131
1/4 & 1/2" & 1" Manipulator 3,000 PSI.....	133
1" Manipulator 3,000 PSI.....	135
1/4 & 1/2" & 1" & 1 1/2" Selector 3,000 PSI.....	137
1" Selector 5,000 PSI.....	139
1" Selector 3,000 PSI.....	141
1/4 & 1/2" Manipulator 3,000 PSI.....	143
1/4 & 1/2" Selector 3,000 PSI.....	145
1/4 & 1/2" By-Pass 3,000 PSI.....	147
1" & 1 1/2" SPM Valve.....	149
Air Control Valves.....	151
Ball Valves w/Pneumatic Actuator.....	151
Brass Ball Valves.....	152
High Pressure Ball Valve.....	152
Check Valves.....	152
Pressure Sensor Pilot/Valve.....	152
Relief Valves.....	153
Needle Valves.....	153

Globe Valves..... 153

FILTERS & STRAINERS

Y-Style Suction Strainers..... 155

T-Style Suction Strainers..... 155

3,000 PSI T-Strainers..... 155

High Pressure Filter Assemblies..... 155

AIR PRESSURE SWITCHES

Hydro-Pneumatic 1" FNPT Inlet & Outlet..... 157

PNEUMATIC REMOTE CYLINDERS

Two Position x 2" Cylinder for a 1/4" & 1/2" 4-Way Valve..... 160

Two Position x 3" Cylinder for a 1" 4-Way Valve..... 162

Two Position x 4" Cylinder for a 1 1/2" 4-Way Valve..... 164

REMOTE HOSE ASSEMBLIES

JR-12 Hose Assembly..... 167

JR-16 Hose Assembly..... 169

JR-24 Hose Assembly..... 171

SB-25 Hose Assembly..... 173

SB-36 Hose Assembly..... 175

SB-42 Hose Assembly..... 177

SB-48 Hose Assembly..... 179

GAUGES

Rear Flange Gauge..... 182

Panel Mount Gauge 182

Receiver Gauge..... 183

Stem Mount Gauge 183

PNEUMATIC COMPONENTS

Shuttle Valve..... 185

Air Regulator 185

Panel Mount Air Regulator..... 185

Filter/Regulator..... 185

Air Filters..... 186

Air Lubricators..... 186

Hydraulic to Air Pressure Transmitter..... 186

ELECTRONICS

Connectors..... 188

Communication Modules..... 188

Memory Modules..... 188

Digital Meters..... 189

Pressure Transmitters..... 189

Power Supplies..... 189

Circuit Breakers..... 190

Intrinsically Safe Barriers..... 191

Proximity Switches..... 192

Pressure Switches..... 193

Selector Switch Nema 4X..... 193

Float Switches..... 194

Electric Pressure Switch..... 194

ON/OFF Switch Class 1 Div 2..... 195

ON/OFF Switch Zone 1 ATEX/IECEX..... 195

Horn, Panel Mount 24V..... 195

Horn, Class 1 DIV 1 Nema 4X..... 195

Pilot Light Class 1 DIV 2..... 196

Pilot Light Zone 1 ATEX/IECEX..... 196

Pilot Light Nema 4X, 22 MM..... 196

Pilot Light, Class 1 DIV 1 Led w/ Terminal Block..... 196

Replacement Led's..... 197

Push Button Assy, Class 1 DIV 1 w/ Contact Block..... 197

Push Button Assy, Zone 1 ATEX/IECEX..... 197

Push Button Class 1 DIV 2..... 198

Push Button Nema 4X..... 198

Illuminated Push Button Class 1 DIV 2..... 198

Illuminated Push Button Zone 1 ATEX/IECEX..... 199

Illuminated Push Button Class 1 DIV 1

w/ Terminal Block..... 199

Solenoids & Solenoid Manifolds..... 199

PLC's..... 200

ACCESSORIES

Half Moon Graphics..... 202

Charging & Gauging Assemblies..... 202



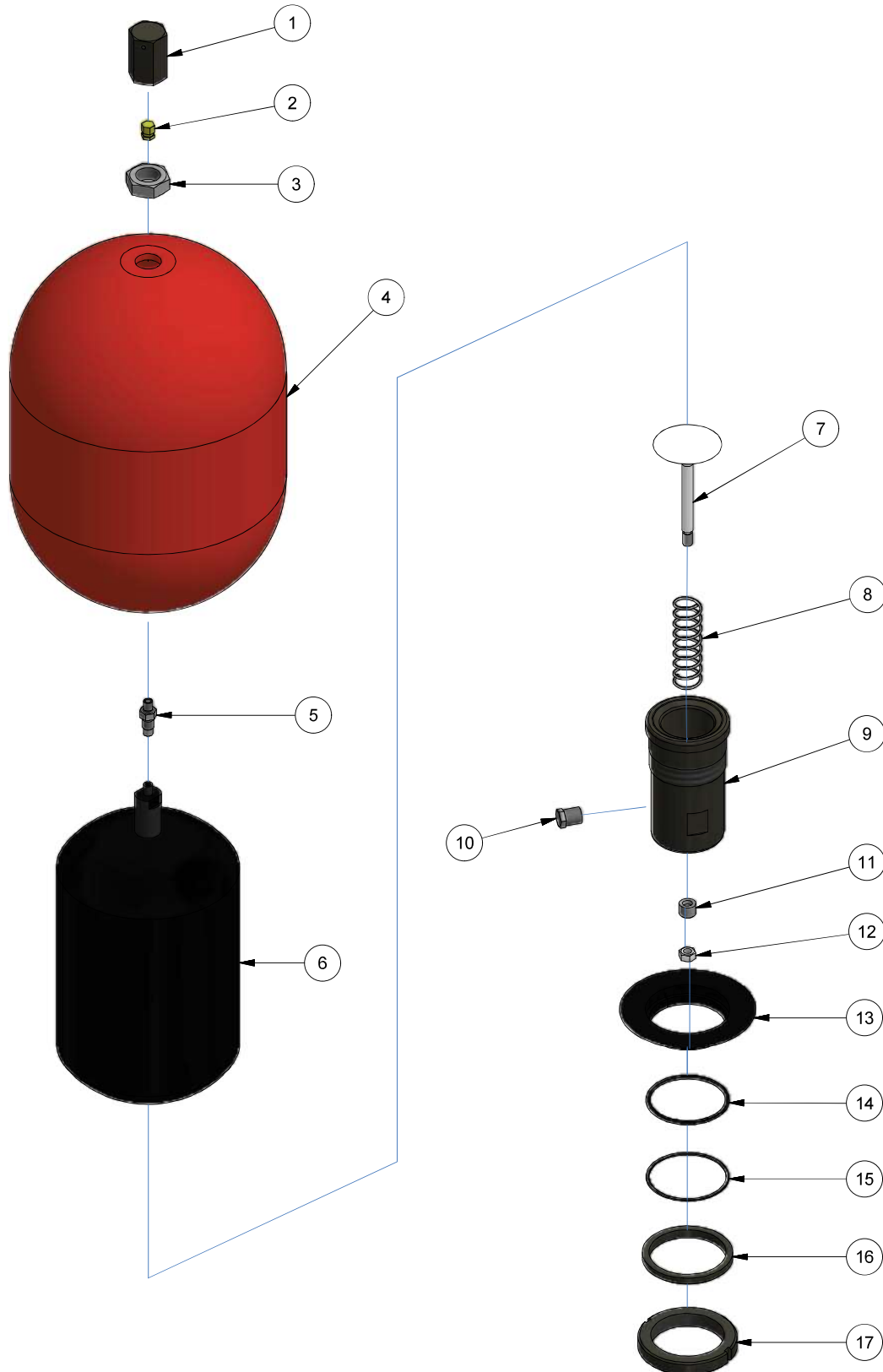
ACCUMULATORS

ACCUMULATOR

1PT BOTTOM LOADING 3000 PSI

Length: 10"

Weight: 6 lbs



ACCUMULATOR

1PT BOTTOM LOADING 3000 PSI

Item	Description	Part No.	Port
+	1 Pint-Standard Bladder Accumulator Complete	10100050	1"

Item	Description	Part No.	Qty
1	Protective Cap	10100093	1
2	Valve Cap	10350135	1
3	Jam Nut	10100052	1
4	Shell	N/A	1
5	Valve, Core	10350140	1
6	Bladder (Includes 5, 14, 15)	10100092	1
7	Poppet	N/A	1
8	Spring	N/A	1
9	Plug, Body	N/A	1
10	Plug, Bleeder Port (1/8" NPT)	10100140	1
11	Piston, Poppet	N/A	1
12	Stop Nut, Poppet	N/A	1
13	Ring, Anti-Extrusion	10100088	1
14	Teflon Ring	10100087	1
15	O-Ring	10100086	1
16	Spacer	10100085	1
17	Locknut	10100084	1
18	Plug & Poppet Assy (Includes 7-12)	10100091	1
19	Port Assy (Includes 7-17)	10100089	1

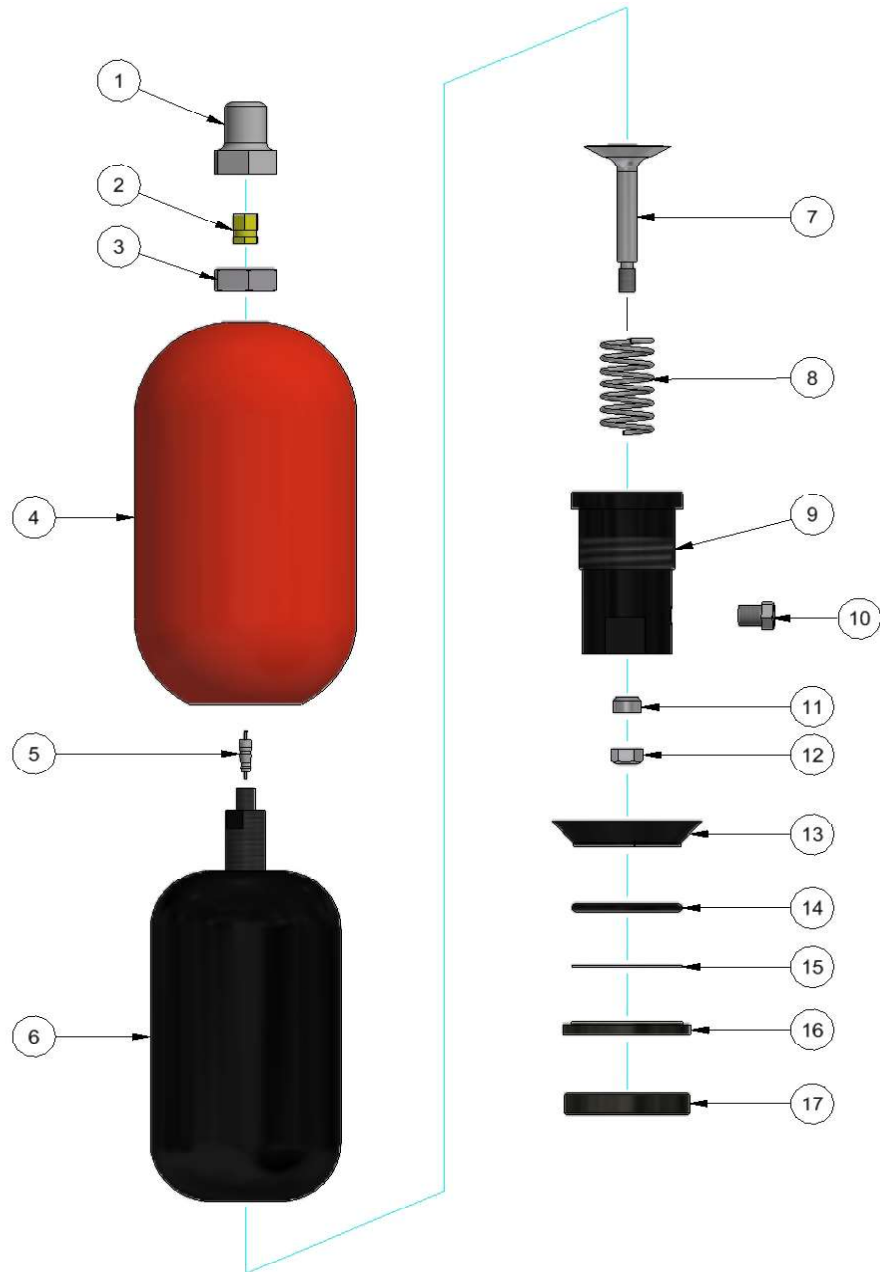
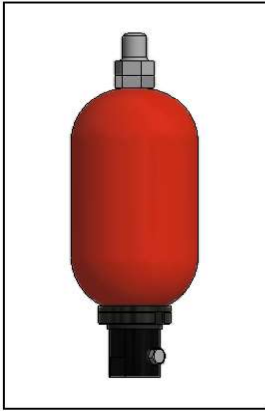
NOTE: N/A - Not sold separately

ACCUMULATOR

1QT BOTTOM LOADING 3000 PSI

Length: 11½"

Weight: 10lbs



ACCUMULATOR

1QT BOTTOM LOADING 3000 PSI

Item	Description	Part No.	Port
+	1 Quart-Standard Bladder Accumulator Complete	10100100	1"

Item	Description	Part No.	Qty
1	Valve Guard	10100110	1
2	Valve Cap	10350135	1
3	Valve, Nut	10100115	1
4	Shell	N/A	1
5	Valve, Core	10350140	1
6	Bladder (Standard)	10100105	1
7	Poppet	N/A	1
8	Spring	N/A	1
9	Port, 1" NPT	N/A	1
10	Plug, Bleeder Port (1/8" NPT)	10100140	1
11	Piston, Poppet	N/A	1
12	Stop Nut, Poppet	N/A	1
13	Ring, Anti-Extrusion	10100155	1
14	O-Ring	10100165	1
15	Washer, Back-Up (Metal)	10100160	1
16	Spacer	10100175	1
17	Locknut, Port	10100180	1
18	Plug & Poppet Assy (Includes 7-12)	10100196	1
19	Port Assy (Includes 7-17)	10100197	1

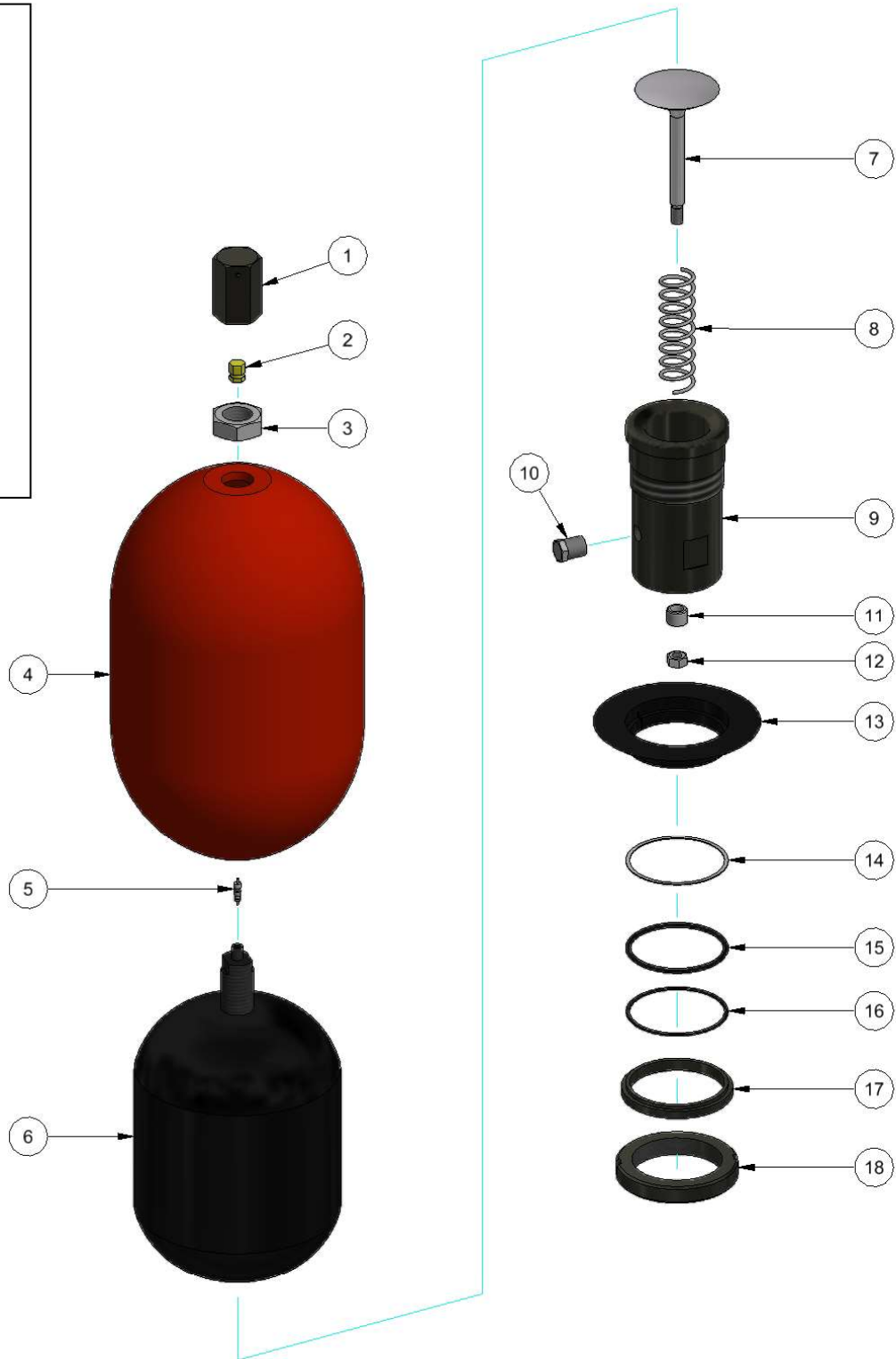
NOTE: N/A - Not sold separately

ACCUMULATOR

1 GALLON BOTTOM LOADING 3000 PSI

Length: 17"

Weight: 34 lbs



ACCUMULATOR

1 GALLON BOTTOM LOADING 3000 PSI

Item	Description	Part No.	Port
+	1 Gallon-Standard Bladder Accumulator, Complete	10150100	1 ¼"

Item	Description	1 Gallon	Qty
1	Valve Guard	10350130	1
2	Valve Cap	10350135	1
3	Valve, Nut	10350145	1
4	Shell	N/A	1
5	Valve, Core	10350140	1
6	Bladder (Standard)	10150105	1
7	Poppet	N/A	1
8	Spring	N/A	1
9	Port, 1 ¼" NPT	N/A	1
10	Plug, Bleeder Port (¼" NPT)	10150155	1
11	Piston, Poppet	N/A	1
12	Stop Nut, Poppet	N/A	1
13	Ring, Anti-Extrusion	10150118	1
14	Washer, Back-Up (Rubber)	10150130	1
15	O-Ring	10150135	1
16	Ring, Backup (Metal)	10150140	1
17	Spacer	10150145	1
18	Locknut, Port	10150150	1
19	Plug & Poppet Assy (Includes 7-12)	10150115	1
20	Port Assy (Includes 7-12)	10150110	1

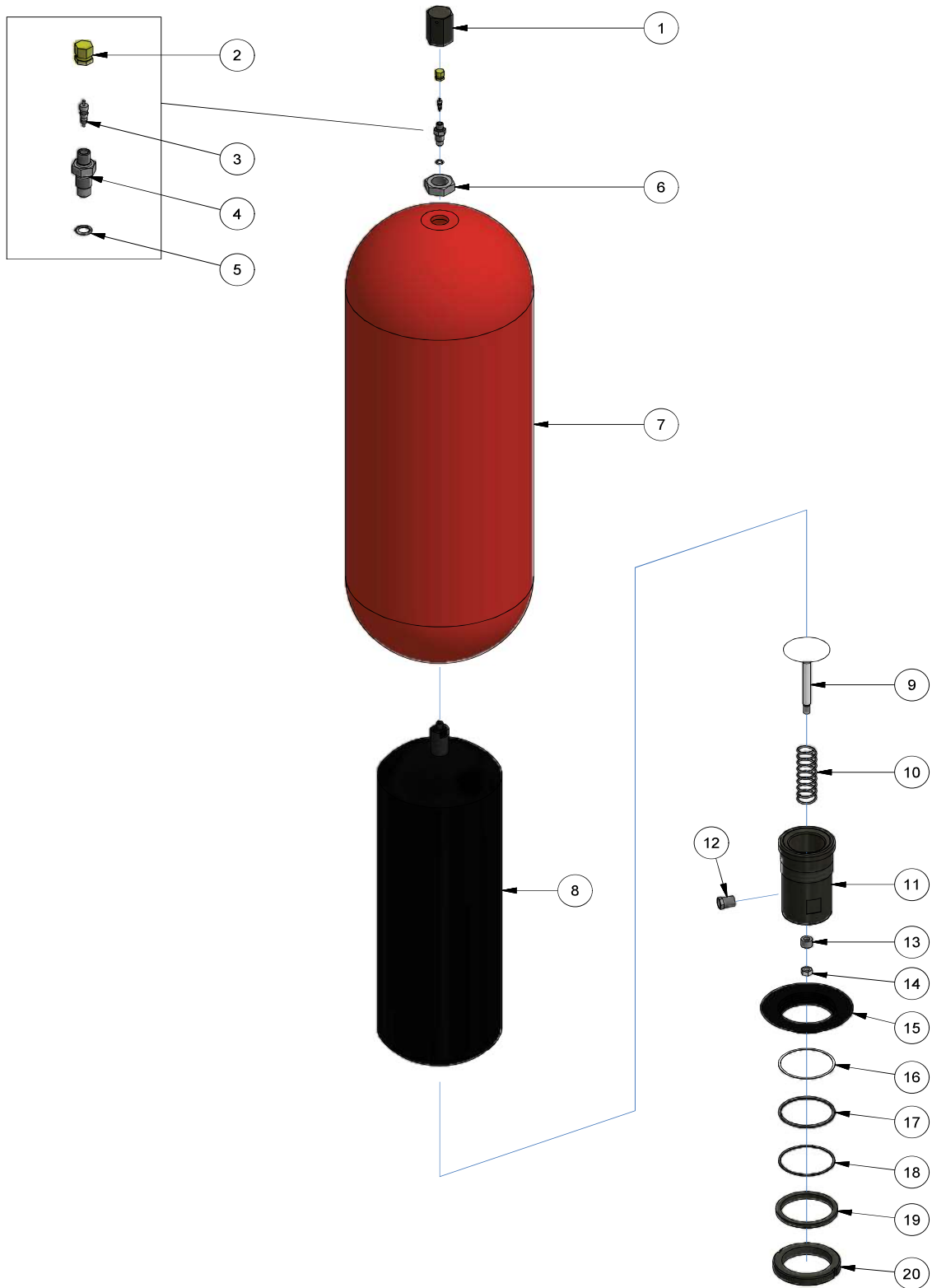
NOTE: N/A - Not sold separately

ACCUMULATOR

5 GALLON BOTTOM LOADING 3000 PSI

Length: 33 1/2"

Weight: 120 lbs



ACCUMULATOR

5 GALLON BOTTOM LOADING 3000 PSI

Item	Description	Part No.	Port
+	5 Gallon-Standard Bladder Accumulator, Complete	10250100	1 ¼"
+	5 Gallon-Standard Bladder Accumulator, Complete	10250110	2"

Item	Description	1 Gallon	Qty
1	Protective Cap	10350130	1
2***	Valve Cap	10350135	1
3***	Core, Valve	10350140	1
4***	Charging Valve Adapter (Body Only)	10350142	1
5***	O-Ring	10350143	1
6	Nut, Jam	10350145	1
7	Shell	N/A	1
8**	Bladder (Standard) (Includes 4, 16, 17, 18)	10250105	1
9	Poppet	N/A	1
10	Spring	N/A	1
11*	Port, 1 ¼" NPT	N/A	1
11*	Port, 2" NPT	N/A	1
12	Plug, Bleeder Port (¼" NPT)	70100550	1
13	Piston, Poppet	N/A	1
14	Stop Nut, Poppet	N/A	1
15	Ring, Anti-Extrusion	10350155	1
16	Washer, Back-Up (Metal)	10350180	1
17	O-Ring	10350185	1
18	Ring, Backup (Rubber)	10350190	1
19	Spacer	10350200	1
20	Locknut	10350210	1
21	Plug & Poppet Assy (Includes 9-14) (1 ¼")	10350120	1
21	Plug & Poppet Assy (Includes 9-14) (2")	10350125	1
22	Port Assy (Includes 9-20) (1 ¼")	10350110	1
22	Port Assy (Includes 9-20) (2")	10350115	1

NOTE: N/A - Not sold separately

*NOTE: Determine Port Size

**NOTE: Determine the type of bladder before ordering. (Cold Weather Bladder upon request)

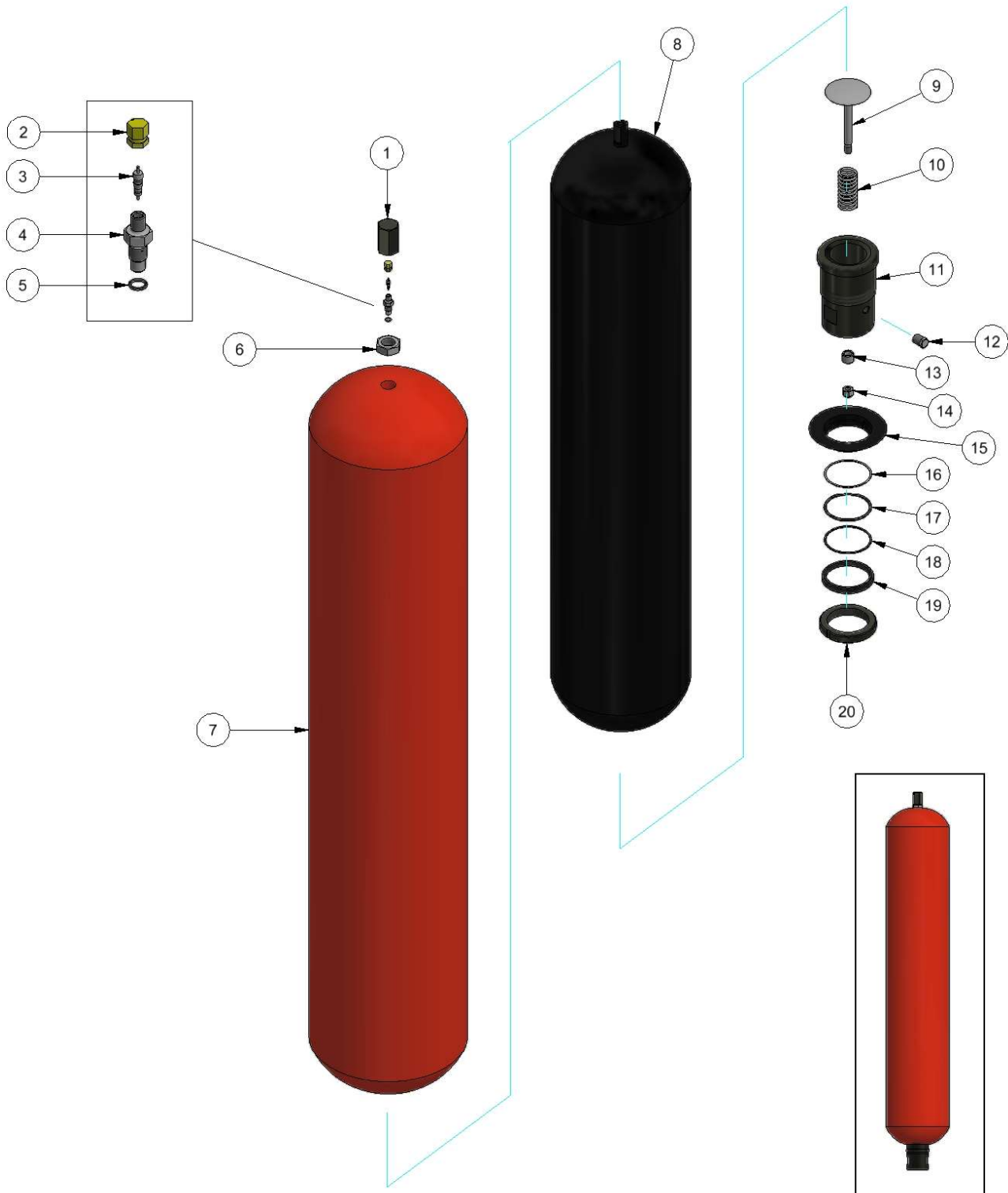
***NOTE: Included in Charging Valve Adapter Assembly (10350141)

ACCUMULATOR

10 GALLON BOTTOM LOADING 3000 PSI

Length: 54"

Weight: 220lbs



ACCUMULATOR

10 GALLON BOTTOM LOADING 3000 PSI

Item	Description	Part No.	Port
+	10 Gallon-Standard Bladder Accumulator, Complete	10300100	1¼"
+	10 Gallon-Standard Bladder Accumulator, Complete	10300103	2"
Item	Description	10 Gallon	Qty
1	Valve Guard	10350130	1
2***	Valve Cap	10350135	1
3***	Valve, Core	10350140	1
4***	Charging Valve Adapter (Body Only)	10350142	1
5***	O-Ring	10350143	1
6	Valve, Nut	10350145	1
7	Shell	N/A	1
8**	Bladder (Standard) (Includes 4, 16, 17, 18)	10300105	1
9	Poppet	N/A	1
10	Spring	N/A	1
11*	Port, 1¼" NPT	N/A	1
11*	Port, 2" NPT	N/A	1
12	Plug, Bleeder Port (¼" NPT)	70100550	1
13	Piston, Poppet	N/A	1
14	Stop Nut, Poppet	N/A	1
15	Ring, Anti-Extrusion	10350155	1
16	Washer, Back-Up (Metal)	10350180	1
17	O-Ring	10350185	1
18	Ring, Back-Up (Rubber)	10350190	1
19	Spacer	10350200	1
20	Locknut, Port	10350210	1
21	Plug & Poppet Assy (1¼") (Includes 9-14)	10350120	1
21	Plug & Poppet Assy (2") (Includes 9-14)	10350125	1
22	Port Assy (1¼") (Includes 9-20)	10300125	1
22	Port Assy (2") (Includes 9-20)	10300135	1

NOTE: N/A - Not sold separately

*NOTE: Determine Port Size

**NOTE: Determine the type of bladder before ordering. (Cold Weather Bladder upon request)

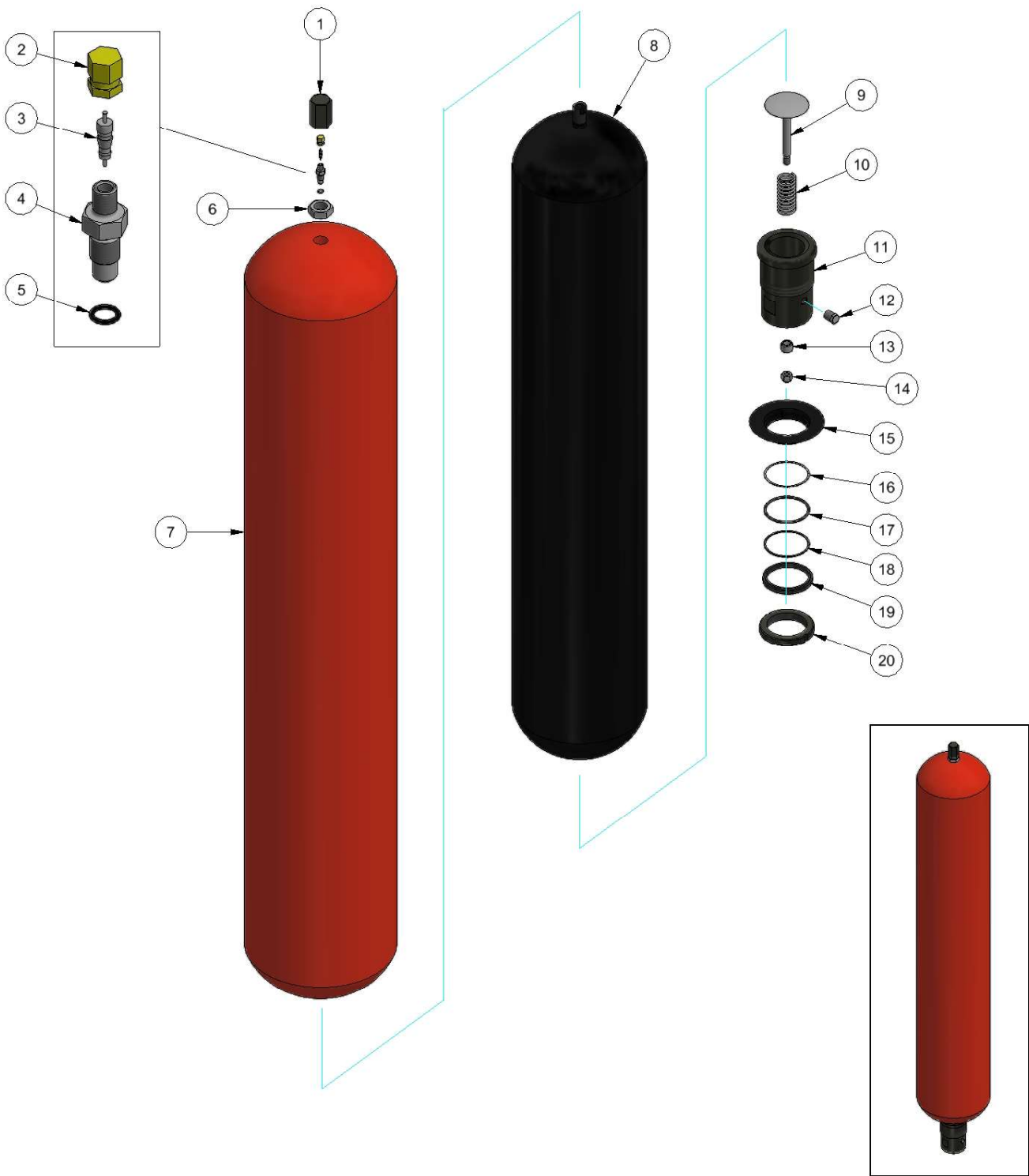
***NOTE: Included in Charging Valve Adapter Assembly (10350141)

ACCUMULATOR

11 GALLON BOTTOM LOADING 3000 PSI

Length: 54"

Weight: 220lbs



ACCUMULATOR

11 GALLON BOTTOM LOADING 3000 PSI

Item	Description	Part No.	Port
+	11 Gallon-Standard Bladder Accumulator, Complete	10350100	1¼"
+	11 Gallon-Standard Bladder Accumulator, Complete	10351100	2"
+	11 Gallon-Cold Weather Bladder Accumulator, Complete	10350101	1¼"
+	11 Gallon-Cold Weather Bladder Accumulator, Complete	10351130	2"

Item	Description	11 Gallon	Qty
1	Valve Guard	10350130	1
2***	Valve Cap	10350135	1
3***	Valve, Core	10350140	1
4***	Charging Valve Adapter (Body Only)	10350142	1
5***	O-Ring	10350143	1
6	Valve, Nut	10350145	1
7	Shell	N/A	1
8	Bladder (Standard)	10350105	1
8	Bladder (Cold Weather)	10350106	1
9	Poppet	N/A	1
10	Spring	N/A	1
11*	Port, 1¼" NPT	N/A	1
11*	Port, 2" NPT	N/A	1
12	Plug, Bleeder Port (1/4" NPT)	70100550	1
13	Piston, Poppet	N/A	1
14	Stop Nut, Poppet	N/A	1
15	Ring, Anti-Extrusion	10350155	1
16	Washer, Back-Up (Metal)	10350180	1
17	O-Ring	10350185	1
18	Ring, Back-Up (Rubber)	10350190	1
19	Spacer	10350200	1
20	Locknut, Port	10350210	1
21	Plug & Poppet Assy (1¼") (Includes 9-14)	10350120	1
22	Plug & Poppet Assy (2") (Includes 9-14)	10350125	1
23	Port Assy (1¼") (Includes 9-20)	10300125	1
24	Port Assy (2") (Includes 9-20)	10300135	1

NOTE: N/A - Not sold separately

*NOTE: Determine Port Size

**NOTE: Determine the type of bladder before ordering (Cold Weather Bladder upon request)

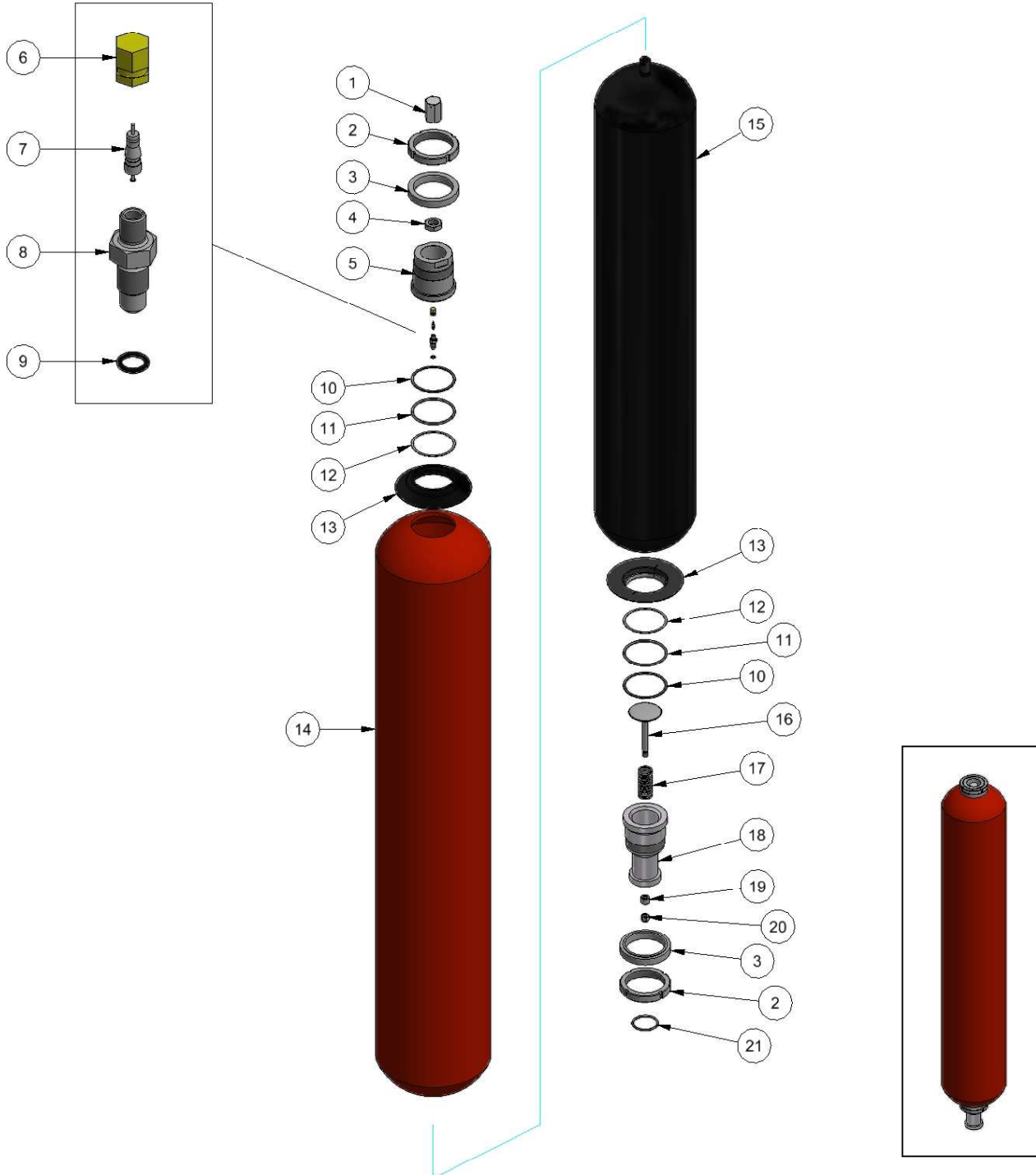
*** NOTE: Included in Charging Valve Adapter Assembly (10350141)

ACCUMULATOR

11 GALLON SAE TOP LOADING 3000 PSI

Length: 59½"

Weight: 240lbs



ACCUMULATOR

11 GALLON SAE TOP LOADING 3000 PSI

Item	Description	Part No.	Port
+	11 Gallon-Standard Bladder Accumulator, Complete	10355120	SAE
+	11 Gallon-Cold Weather Bladder Accumulator, Complete	10355150	SAE

Item	Description	11 Gallon	Qty
1	Valve Guard, S.S.	10350132	1
2***	Locknut, Port, S.S.	10350201	2
3***	Spacer, S.S.	10350211	2
4	Valve, Nut, S.S.	10350144	1
5	Port, Top	10450101	1
6**	Valve Cap	10350135	1
7**	Valve, Core	10350140	1
8**	Charging Valve Adapter (Body Only)	10350142	1
9**	O-Ring	10350143	1
10****	Washer, Back-Up (Rubber)	10350190	2
11***	O-Ring	10350185	2
12***	Ring, Back-Up (Metal) S.S.	10350180	2
13	Ring, Anti-Extrusion, S.S.	10350154	2
14	Shell (Phenolic Coating)	10350152	1
14	Shell	N/A	1
15*	Bladder (Standard)	10350105	1
15*	Bladder (Cold Weather)	10350106	1
16****	Poppet	N/A	1
17****	Spring	N/A	1
18****	Port, 1½" SAE Code 62	N/A	1
19****	Piston, Poppet	N/A	1
20****	Stop Nut, Poppet	N/A	1
21	O-Ring	10350179	1
22	Plug & Poppet Assy (Included in Port Assy)	10350126	1
23	Port Assy 1½" Code 62 - S.S. (Includes 9-20)	10350119	1

* NOTE: Determine the type of bladder before ordering

** NOTE: Included in Charging Valve Adapter Assembly (10350141)

***NOTE: Included in Port Assy

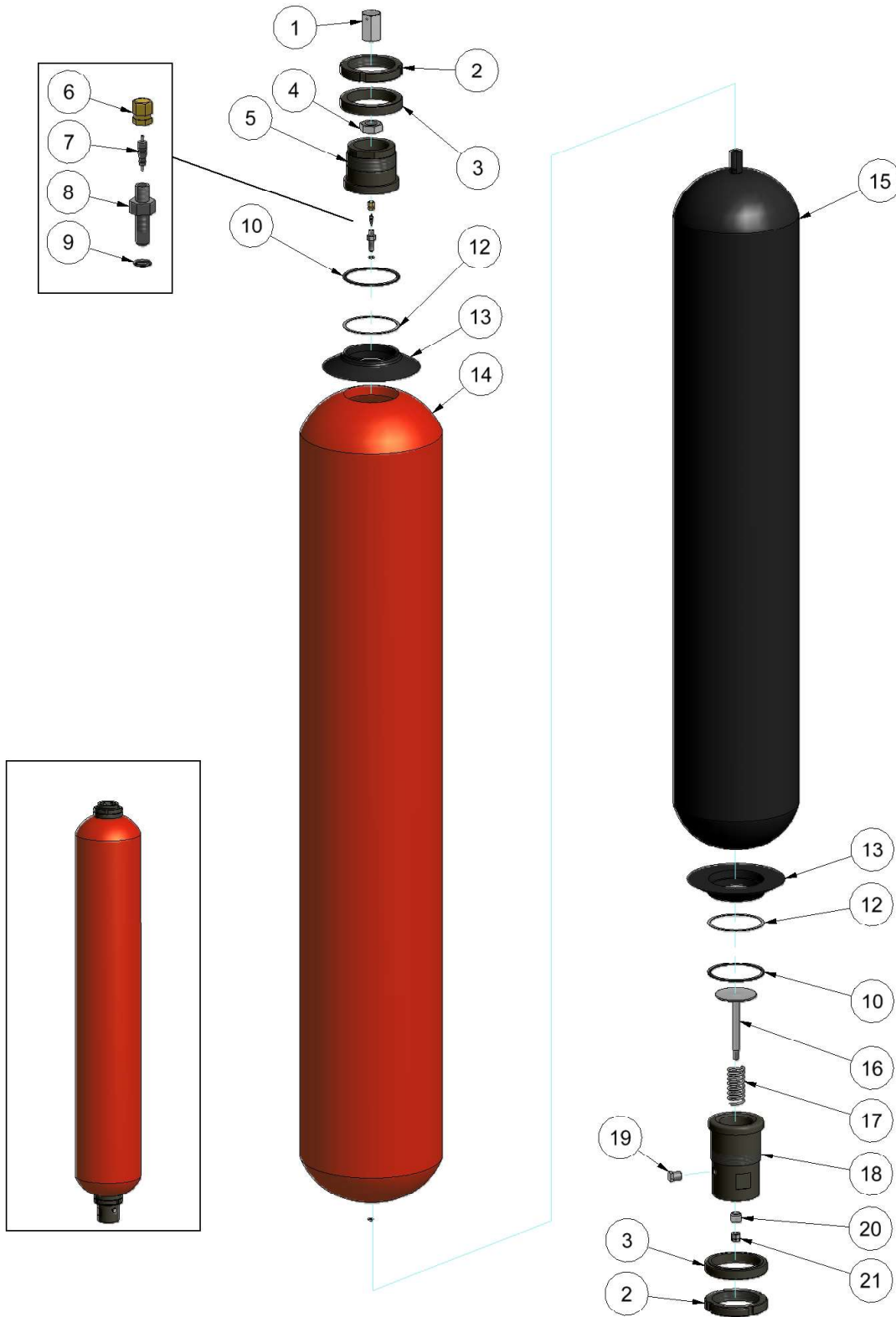
****NOTE: Included in Plug & Poppet Assy

ACCUMULATOR

11 GALLON TOP LOADING 3000 PSI

Length: 59½"

Weight: 240 lbs



ACCUMULATOR

11 GALLON TOP LOADING 3000 PSI

Item	Description	Part No.	Port
+	11 Gallon-Standard Bladder Accumulator, Complete	10355100	1¼"
+	11 Gallon-Cold Weather Bladder Accumulator, Complete	10355130	1¼"

Item	Description	11 Gallon	Qty
1	Valve Guard	10350130	1
2	Locknut, Port	10350210	2
3	Spacer	10350200	2
4	Valve, Nut	10350145	1
5	Port, Top	10450102	1
6**	Valve Cap	10350135	1
7**	Valve, Core	10350140	1
8**	Charging Valve Adapter (Body Only)	10350142	1
9**	O-Ring	10350143	1
10***	Washer, Back-Up (Metal)	10350180	2
11***	O-Ring (Rubber)	10350185	2
12***	Ring, Back-Up (Rubber)	10350190	2
13	Ring, Anti-Extrusion	10350155	2
14	Shell	N/A	1
15*	Bladder (Standard)	10350105	1
15*	Bladder (Cold Weather)	10350106	1
16****	Poppet	N/A	1
17****	Spring	N/A	1
18****	Port, 1¼" NPT	N/A	1
19****	Plug, Bleeder Port (1/4" NPT)	70100550	1
20****	Piston, Poppet	N/A	1
21****	Stop Nut, Poppet	N/A	1
22	Plug & Poppet Assy (Included in Port Assy)	1035120	1
23	Port Assy	10300125	1

NOTE: N/A - Not sold separately

* NOTE: Determine the type of bladder before ordering

** NOTE: Included in Charging Valve Adapter Assembly (10350141)

***NOTE: Included in Port Assy

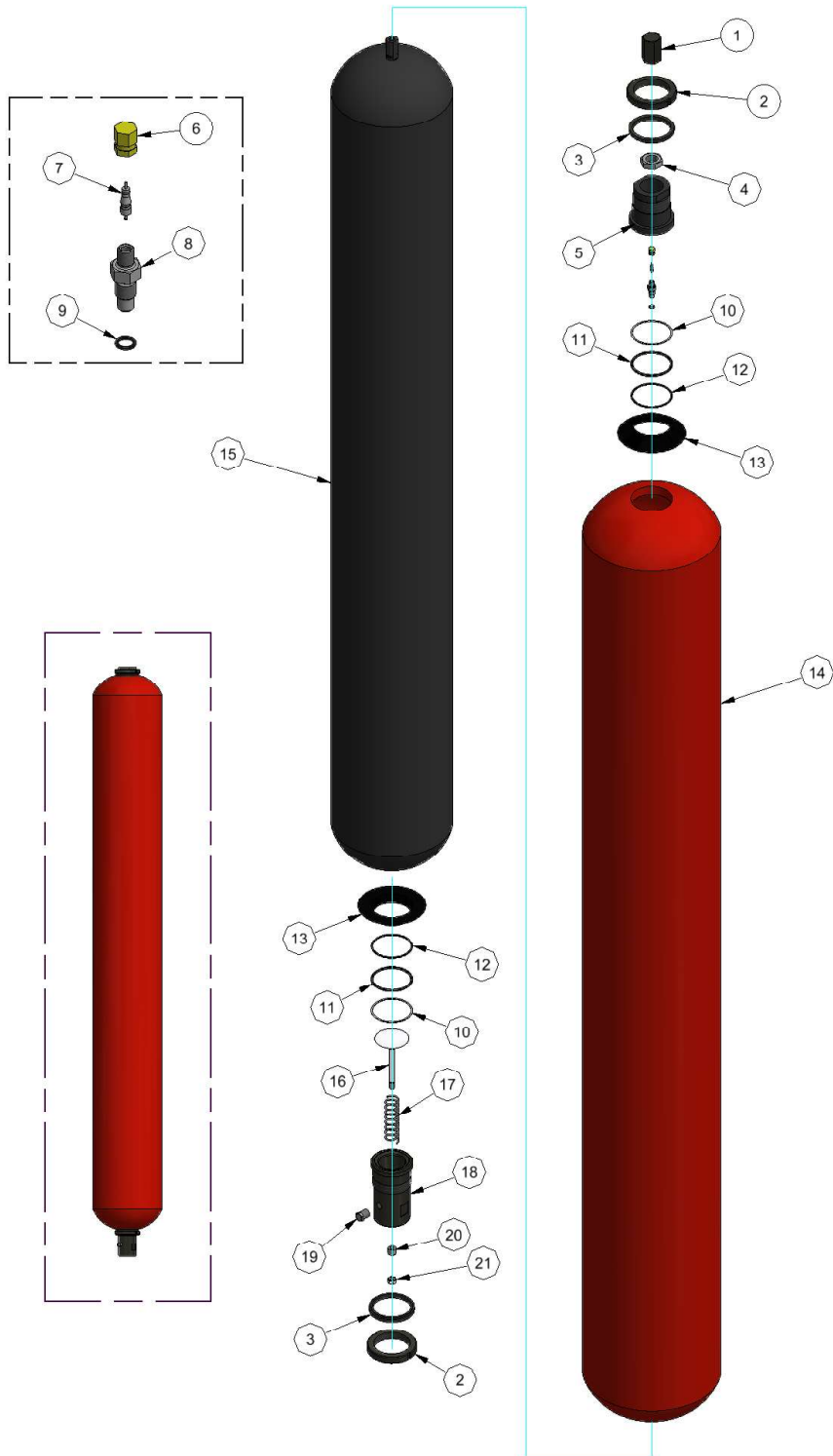
****NOTE: Included in Plug & Poppet Assy

ACCUMULATOR

15 GALLON TOP LOADING 3000 PSI

Length: 77"

Weight: 310 lbs



ACCUMULATOR

15 GALLON TOP LOADING 3000 PSI

Item	Description	Part No.	Port
+	15 Gallon-Standard Bladder Accumulator, Complete	10410130	1¼"

Item	Description	15 Gallon	Qty
1	Valve Guard	10350130	1
2**	Locknut, Port	10350210	2
3**	Spacer	10350200	2
4	Valve, Nut	10350145	1
5	Port, Top	10450102	1
6*	Valve Cap	10350135	1
7*	Valve, Core	10350140	1
8*	Charging Valve Adapter (Body Only)	10350142	1
9*	O-Ring	10350143	1
10**	Washer, Back-Up (Metal)	10350180	2
11**	O-Ring	10350185	2
12**	Back-Up Ring (Rubber)	10350190	2
13**	Ring, Anti-Extrusion	10350155	2
14	Shell	N/A	1
15	Bladder (Standard)	10400105	1
16***	Poppet	N/A	1
17***	Spring	N/A	1
18***	Port, 1¼" NPT	N/A	1
19***	Plug, Bleeder Port (1/4" NPT)	70100550	1
20***	Piston, Poppet	N/A	1
21***	Stop Nut, Poppet	N/A	1
22	Plug & Poppet Assy (Included in Port Assy) (1 ¼")	10350120	1
23	Port Assy (1 ¼")	10350110	1

NOTE: N/A - Not sold separately

*NOTE: Included in Charging Valve Adapter Assembly (10350141)

**NOTE: Included in Port Assy

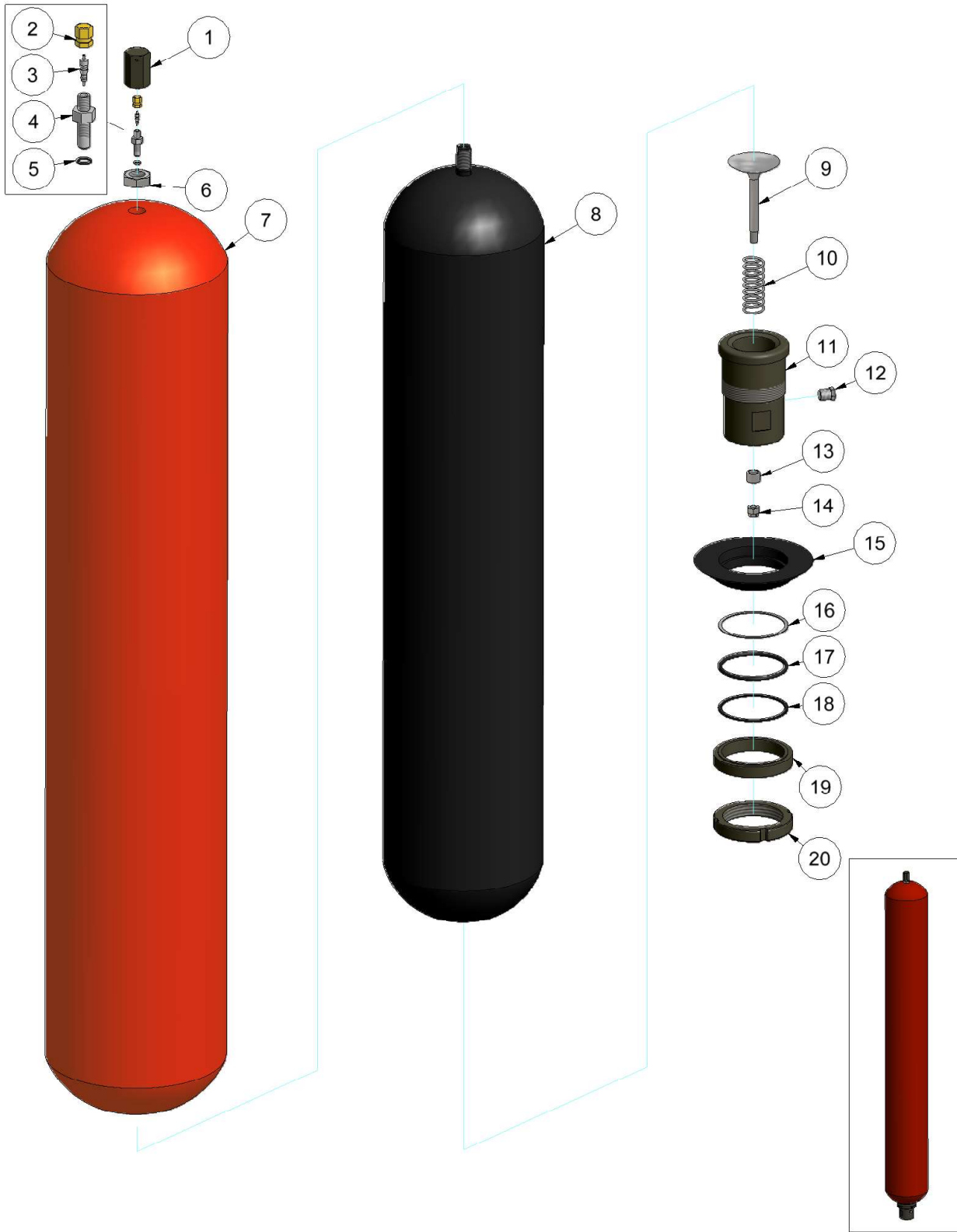
***NOTE: Included in Plug & Poppet Assy

ACCUMULATOR

15 GALLON BOTTOM LOADING 3000 PSI

Length: 77½"

Weight: 305lbs



ACCUMULATOR

15 GALLON BOTTOM LOADING 3000 PSI

Item	Description	Part No.	Port
+	15 Gallon-Standard Accumulator, Complete	10400100	1¼"
+	15 Gallon-Standard Accumulator, Complete	10400102	2"
+	15 Gallon-Cold Weather Accumulator, Complete	10410110	1¼"
+	15 Gallon-Cold Weather Accumulator, Complete	10410120	2"

Item	Description	15 Gallon	Qty
Kit	Bladder Repair Kit	10450198	1
1+	Valve Guard	10350130	1
2+ **	Valve Cap	10350135	1
3+ **	Valve, Core	10350140	1
4+ **	Charging Valve Adapter (Body Only)	10350142	1
5+ **	O-Ring	10350143	1
6+	Valve, Nut	10350145	1
7	Shell	N/A	1
8*+	Bladder (Standard)	10400105	1
8*	Bladder (Cold Weather)	10400107	1
9****	Poppet	N/A	1
10****	Spring	N/A	1
11****++	Port, 1¼" NPT	N/A	1
11****++	Port, 2" NPT	N/A	1
12****	Plug, Bleeder Port (¼" NPT)	70100550	1
13****	Piston, Poppet	N/A	1
14****	Stop Nut, Poppet	N/A	1
15****+	Ring, Anti-Extrusion	10350155	1
16****+	Washer, Back-Up	10350180	1
17****+	O-Ring	10350185	1
18****+	Back-Up Ring	10350190	1
19****	Spacer	10350200	1
20****	Locknut, Port	10350210	1
21	Plug & Poppet Assy (Included in Port Assy) (1 ¼")	10350120	1
22	Port Assy (1 ¼")	10350110	1

NOTE: N/A - Not sold separately

+ Included in repair kit

++ NOTE: Determine Port Style

* NOTE: Determine the type of bladder before ordering

** NOTE: Included in Charging Valve Adapter Assembly (10350141)

*** NOTE: Included in Port Assy

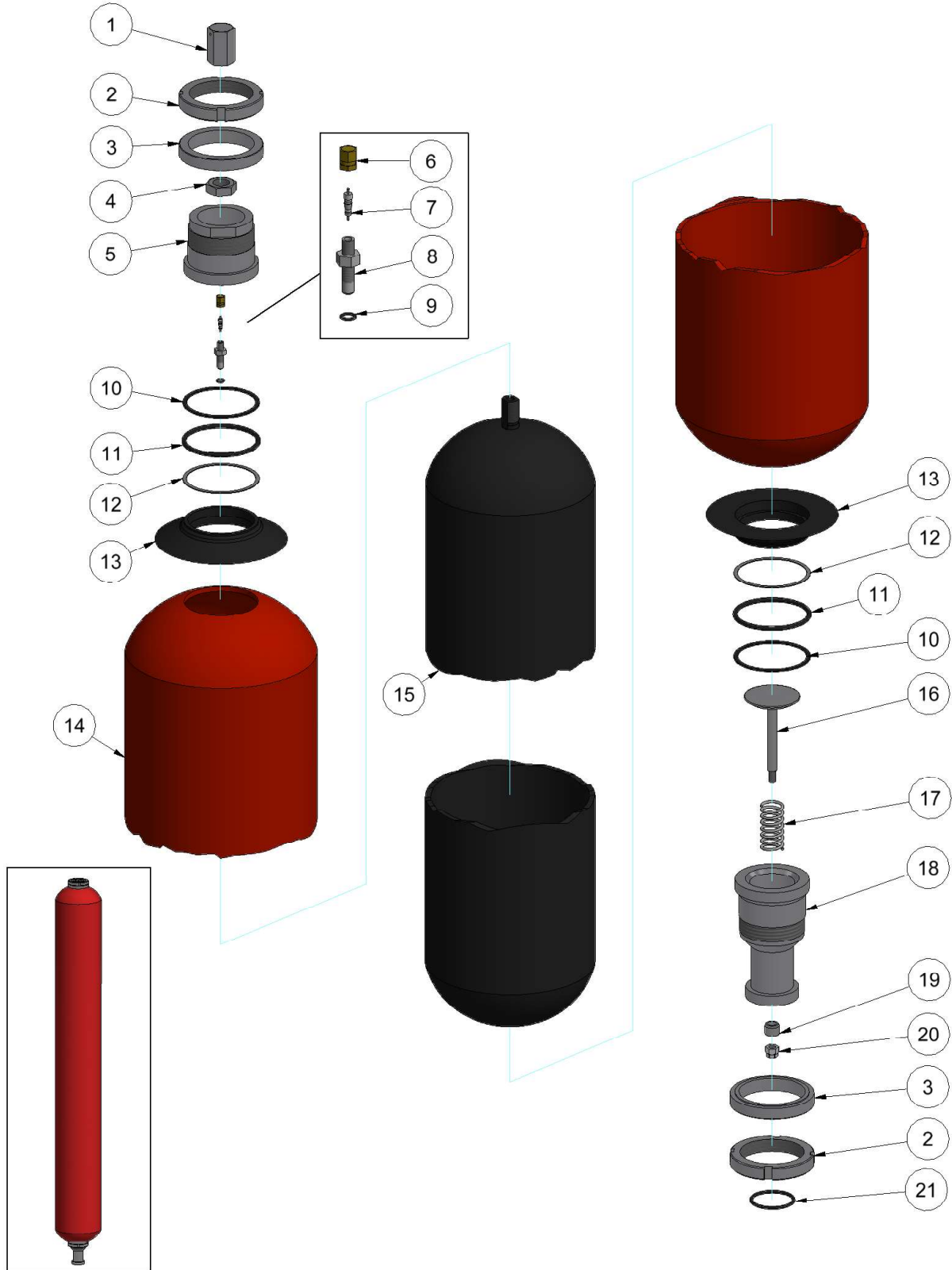
**** NOTE: Included in Plug & Poppet Assy

ACCUMULATOR

15 GALLON SAE TOP LOADING 3000 PSI

Length: 77½"

Weight: 305lbs



ACCUMULATOR

15 GALLON SAE TOP LOADING 3000 PSI

Item	Description	Part No.	Port
+	15 Gallon-Standard Accumulator, Complete	10450100	SAE
+	15 Gallon-Cold Weather Accumulator, Complete	10450150	SAE

Item	Description	Part No.	Qty
1	Valve Guard S.S.	10350132	1
2	Locknut, Port S.S.	10350201	2
3	Spacer S.S.	10350211	2
4	Valve, Nut S.S.	10350144	1
5	Port, Top Loading S.S.	10450101	1
6**	Valve Cap	10350135	1
7**	Valve, Core	10350140	1
8**	Charging Valve Adapter (Body Only)	10350142	1
9**	O-Ring	10350143	1
10	Back-Up Ring	10350190	2
11	O-Ring	10350185	2
12	Washer, Back-Up S.S.	10350180	2
13	Ring, Anti-Extrusion S.S.	10350154	2
14	Shell (Internal Phenolic Coating)	N/A	1
14	Shell (Standard)	N/A	1
15*	Bladder (Standard)	10400105	1
15*	Bladder (Cold Weather)	10400107	1
16	Poppet	N/A	1
17	Spring	N/A	1
18	Port, SAE S.S.	N/A	1
19	Piston, Poppet	N/A	1
20	Stop Nut, Poppet	N/A	1
21	O-Ring	10350179	1

*NOTE: Determine the type of bladder before ordering

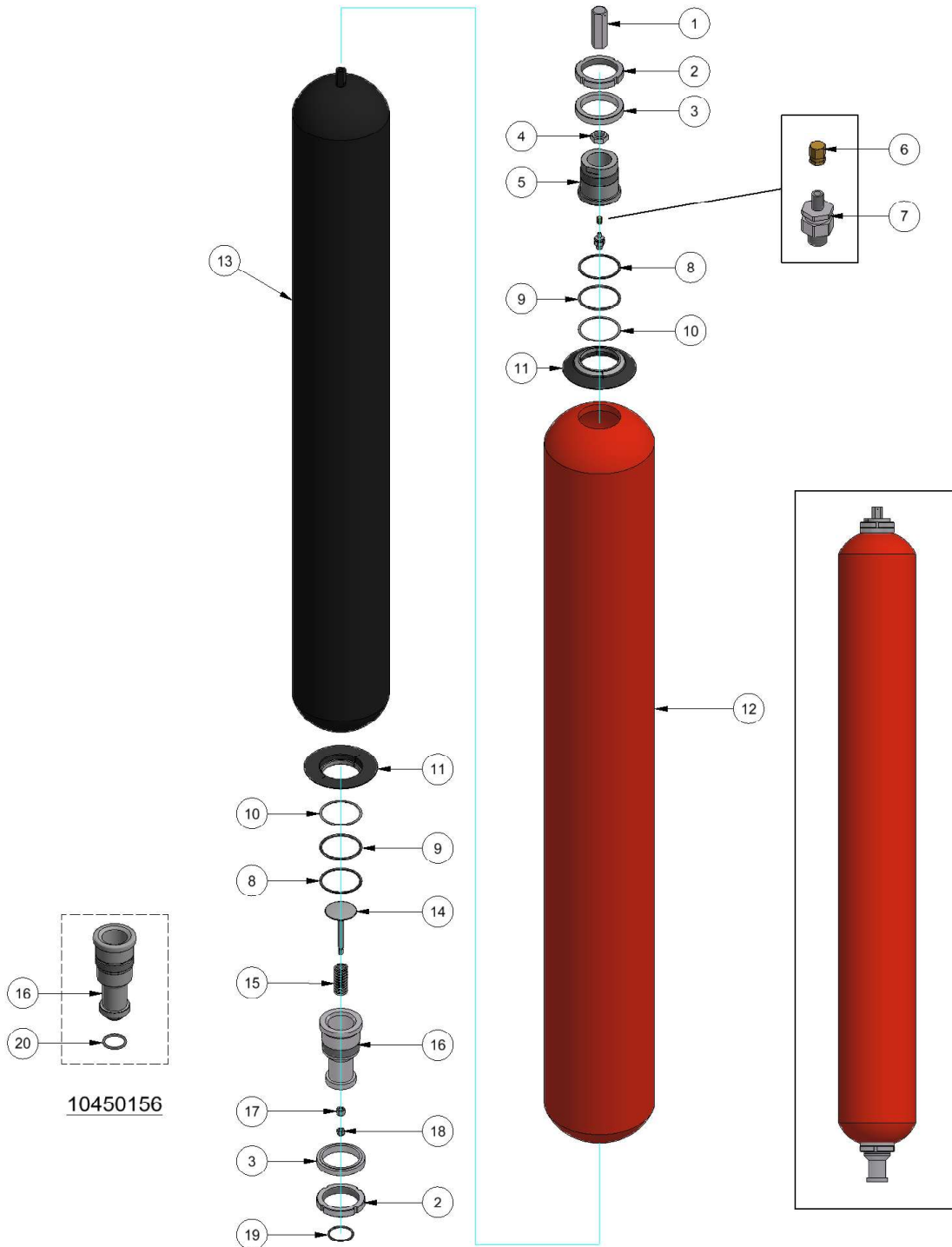
**NOTE: Included in Charging Valve Adapter Assembly (10350141)

ACCUMULATOR

15 GALLON SAE TOP LOADING 5000 PSI

Length: 78"

Weight: 485lbs



ACCUMULATOR

15 GALLON SAE TOP LOADING 5000 PSI

Item	Description	Part No.	Port
+	15 Gallon-Top Repairable Accumulator, Complete (5K)	10450151	SAE
+	15 Gallon-Top Repairable Accumulator, Complete (3K)	10450156	SAE Sub Seal

Item	Description	15 Gallon	Qty
1	Valve Guard S.S.	10450105	1
2	Locknut, Port S.S.	10350201	2
3	Spacer S.S.	10350211	2
4	Valve, Nut S.S.	10350144	1
5	Port, Top Loading S.S.	10450101	1
6	Valve Cap	10350135	1
7	Charging Valve Adapter	10500170	1
8	Back-Up Ring	10350190	2
9	O-Ring	10350185	2
10	Washer, Back-Up S.S.	10350180	2
11	Ring, Anti-Extrusion S.S.	10350154	2
12	Shell (Phenolic Coated)	N/A	1
13*	Bladder (Standard)	10450155	1
13*	Bladder (Cold Weather)	10450170	1
14	Poppet	N/A	1
15	Spring	N/A	1
16++	Port, SAE S.S.	N/A	1
16++	Port, SAE Subseal SS	N/A	1
17	Piston, Poppet	10350170	1
18	Stop Nut, Poppet	10350175	1
19	O-Ring	10350179	1
20	O-Ring	10450146	1

* NOTE: Determine the type of bladder before ordering

++ NOTE: Determine Port Style

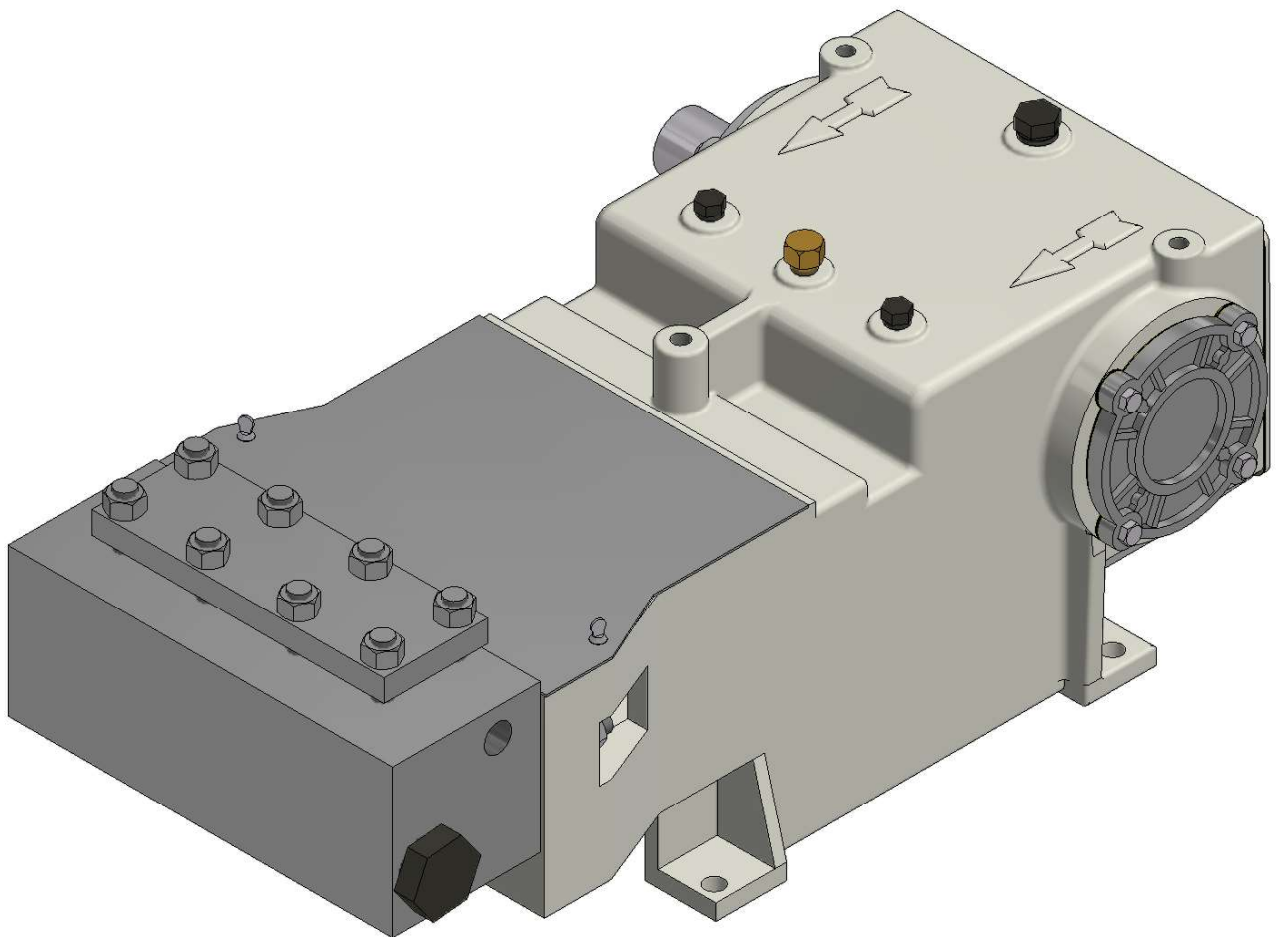


TRIPLEX PUMPS

TRIPLEX PUMP

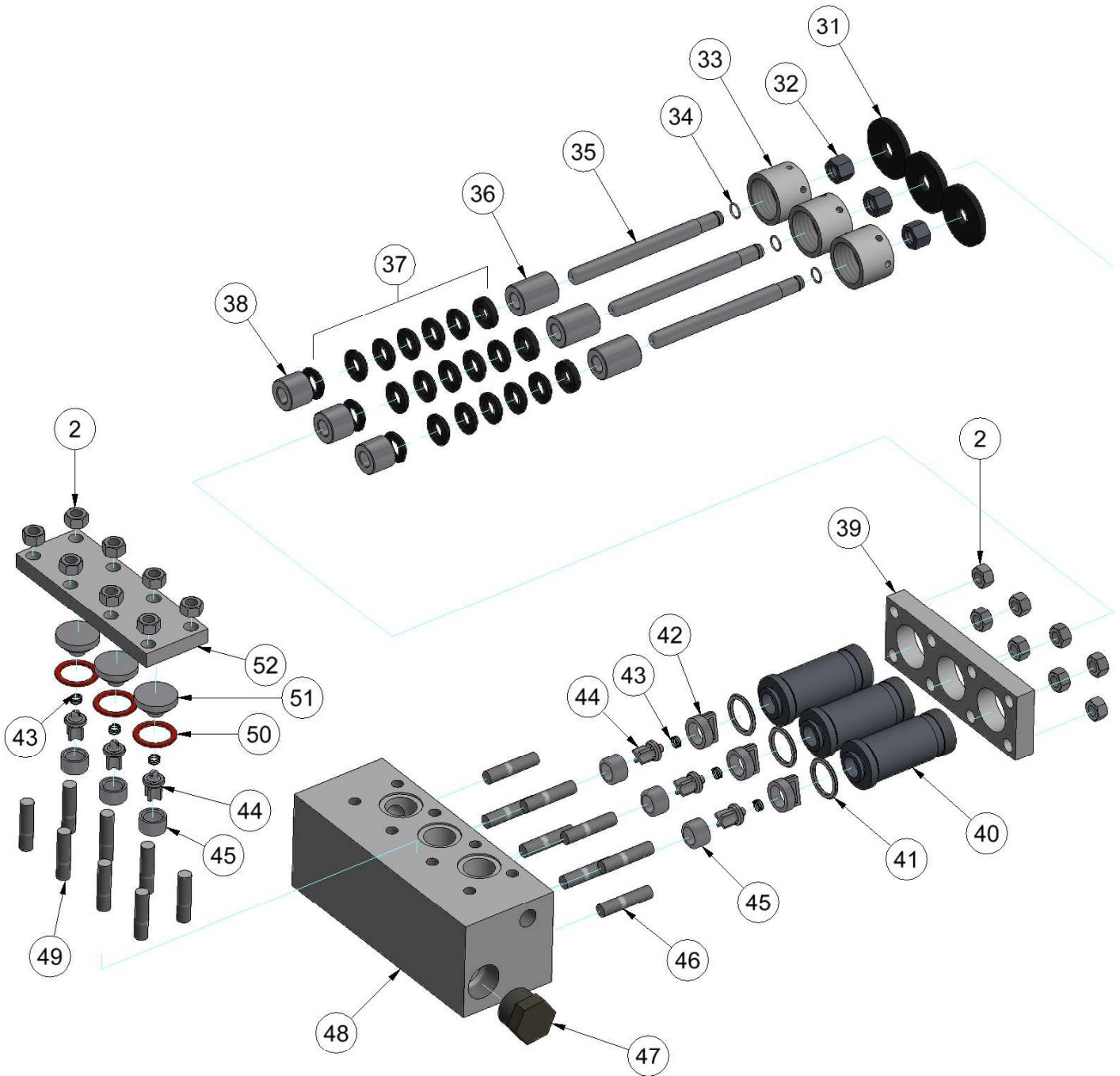
10 SERIES

425 lbs



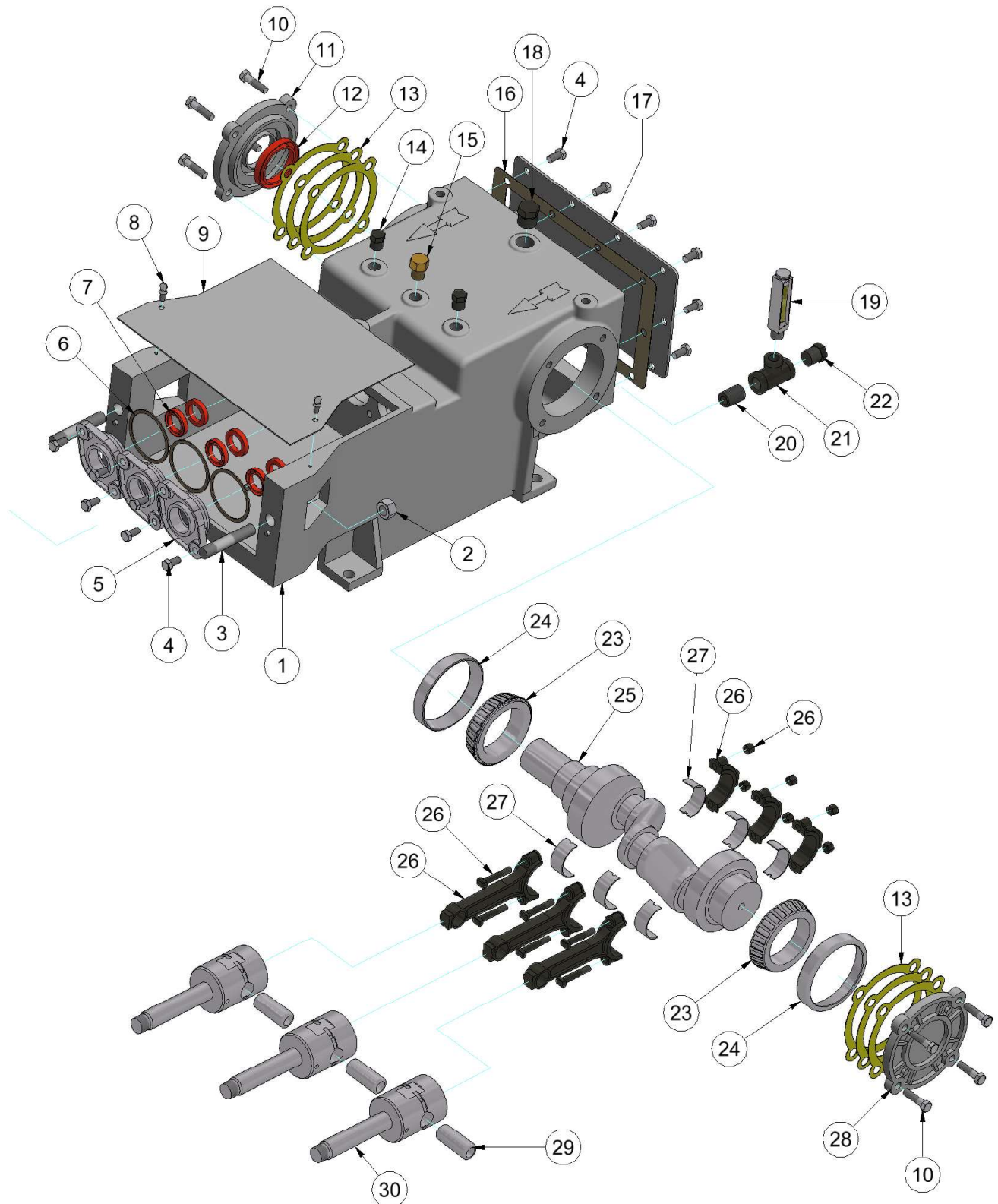
TRIPLEX PUMP

10 SERIES



TRIPLEX PUMP

10 SERIES



TRIPLEX PUMP

10 SERIES

ITEM	DESCRIPTION	3/4" Plunger	7/8" Plunger	1" Plunger	Qty.
+	Complete Pump Assembly	65100100	65150100	65200100	

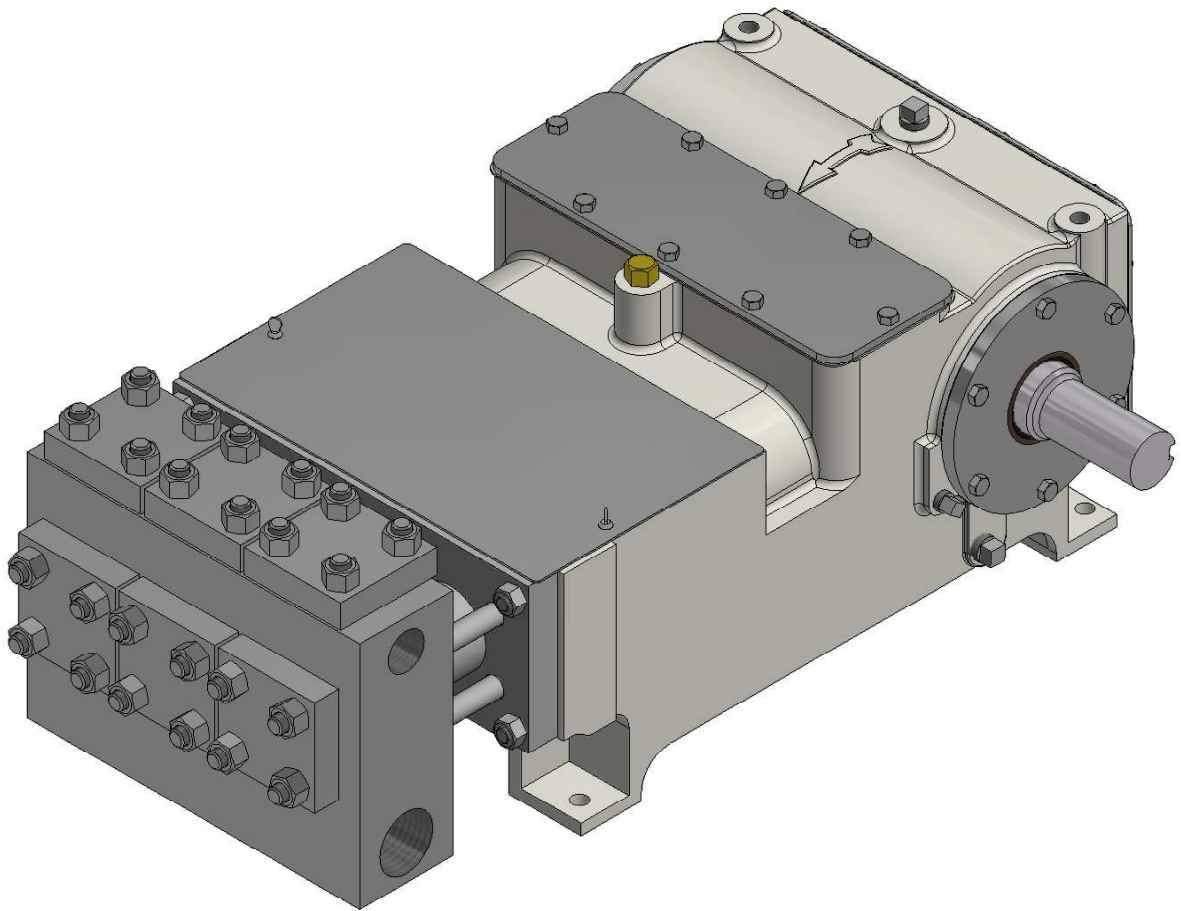
ITEM	DESCRIPTION	3/4" Plunger	7/8" Plunger	1" Plunger	Qty.
Kit	Fluid End Repair Kit	65100999	65150999	65200999	
1	Power Frame	65100103	65100103	65100103	1
2	Nut	65100145	65100145	65100145	18
3	Cylinder Tie Stud	65100355	65100355	65100355	2
4	Screw	65100320	65100320	65100320	16
5	Seal Cap, CROSShead Style	65100225	65100225	65100225	3
6	Gasket, Crosshead Cap	65100230	65100230	65100230	3
7*	Seal, Crosshead Stub	65100235	65100235	65100235	6
8	Thumb Screw	65100250	65100250	65100250	2
9	Cover, Plunger	65100255	65100255	65100255	1
10	Screw	65100260	65100260	65100260	8
11	Crankshaft Frame Cap-Inboard	65100346	65100346	65100346	1
12	Seal, Crankshaft	65100345	65100345	65100345	1
13	Gasket, Crankshaft Frame Cap	65100270	65100270	65100270	6
14	Plug	65100281	65100281	65100281	2
15	Breather, Crankcase	65100285	65100285	65100285	1
16	Gasket, Crankcase Cover	65100335	65100335	65100335	1
17	Cover, Crankcase	65100330	65100330	65100330	1
18	Plug	65100286	65100286	65100286	1
19	Oil Level Indicator	65100325	65100325	65100325	1
20	Nipple	50210200	50210200	50210200	1
21	Tee	50220001	50220001	50220001	1
22	Drain Plug	50260018	50260018	50260018	1
23	Bearing, Crankshaft	65100280	65100280	65100280	2
24	Bearing Race	65100275	65100275	65100275	2
25	Crankshaft	65100340	65100340	65100340	1
26	Connecting Rod Assembly	65100310	65100310	65100310	3
27	Insert, Connecting Rod	65100315	65100315	65100315	6
28	Crankshaft Frame Cap-Outboard	65100265	65100265	65100265	1
29	Crosshead Pin	65100305	65100305	65100305	3
30	Crosshead Assembly	65100290	65100290	65100290	3
31	Deflector, Crosshead Stub	65100215	65100215	65100215	3

ITEM	DESCRIPTION	3/4" Plunger	7/8" Plunger	1" Plunger	Qty.
32	Coupling Nut, Plunger	65100205	65100205	65100205	3
33	Stuffing Box Gland	65100185	65100185	65100185	3
34*	Retaining Ring, Plunger	65100210	65100210	65100210	3
35*	Plunger	65100190	65150120	65200120	3
36	Gland Follower	65100180	65150115	65200115	3
37*	Packing Set	65100175	65150110	65200110	3
38	Throat Bushing	65100170	65150105	65200105	3
39	Flange, Stuffing Box	65100240	65100240	65100240	1
40	Stuffing Box	65200111	65200111	65200111	3
41*	Gasket, Stuffing Box	65100160	65100160	65100160	3
42	Stop, Suction Valve	65100155	65100155	65100155	3
43*	Spring, Valve	65100125	65100125	65100125	6
44*	Valve	65100120	65100120	65100120	6
45*	Valve Seat	65100115	65100115	65100115	6
46	Stud	65100245	65100245	65100245	8
47	Pipe Plug	65100101	65100101	65100101	1
48	Fluid Cylinder	65100110	65100110	65100110	1
49	Stud	65100150	65100150	65100150	8
50*	Gasket, Discharge Valve Cover	65100130	65100130	65100130	3
51	Stop, Discharge Valve	65100135	65100135	65100135	3
52	Cover, Discharge Valve	65100140	65100140	65100140	1

* Included in Repair Kit

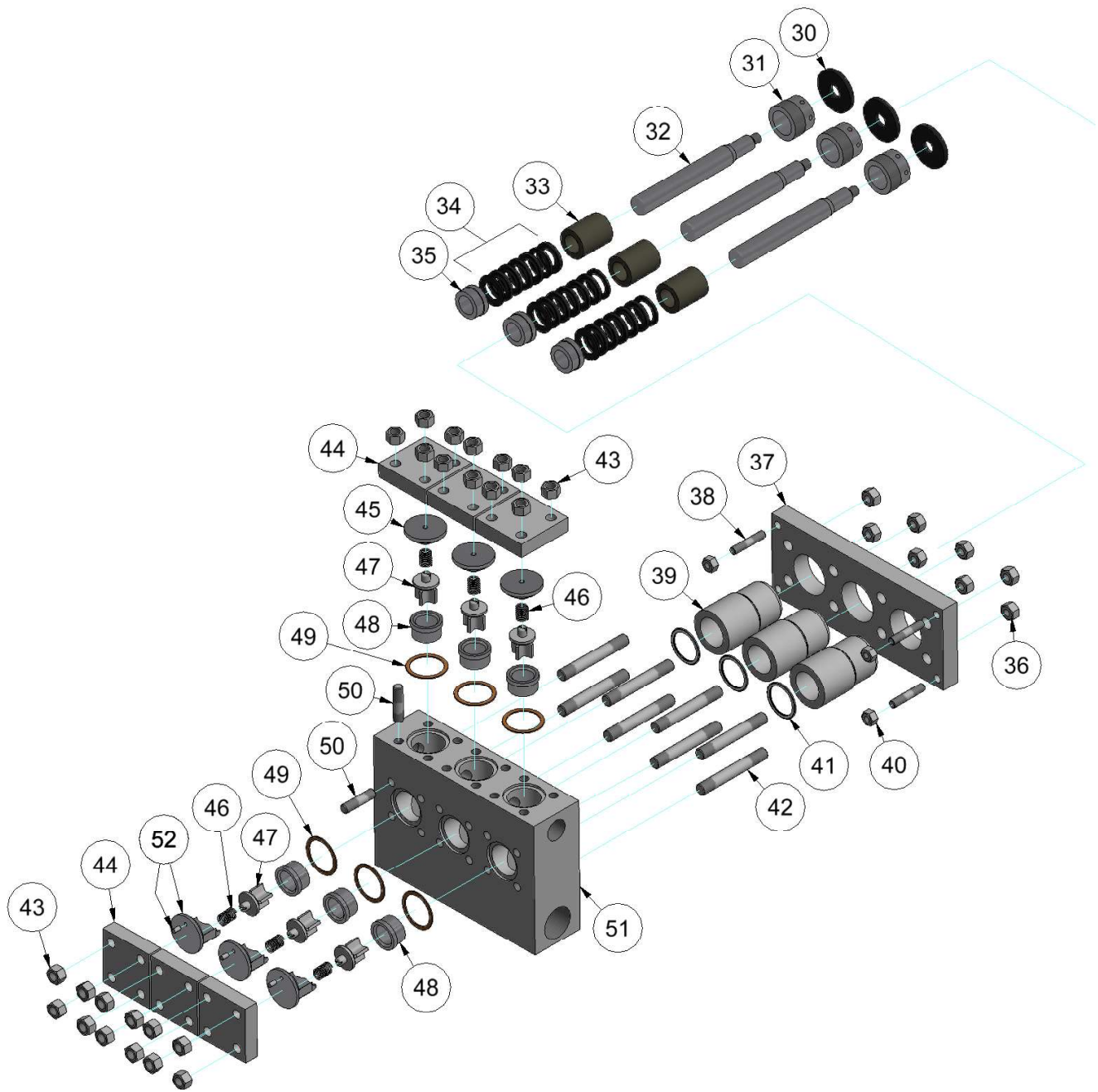
TRIPLEX PUMP

30 & 60 SERIES



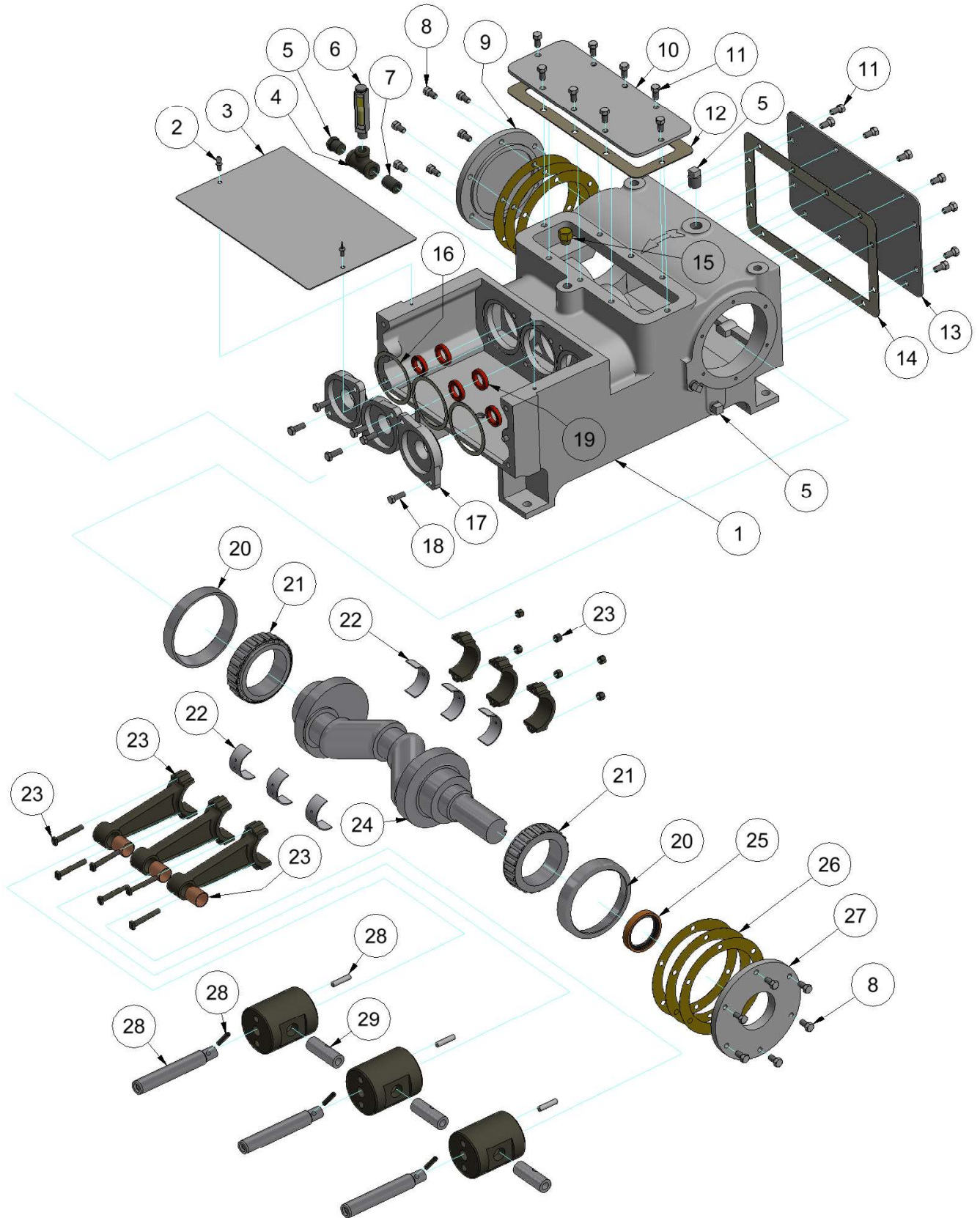
TRIPLEX PUMP

30 & 60 SERIES



TRIPLEX PUMP

30 & 60 SERIES



TRIPLEX PUMP

30 SERIES

600 lbs

ITEM	DESCRIPTION	Plunger Size 1 1/4"	Qty.
+	Complete Pump Assembly	65250100	

ITEM	DESCRIPTION	Plunger Size 1 1/4"	Qty.
Kit	Fluid End Repair Kit	65250999	
1	Power Frame	65250255	1
2	Thumbscrew	65100250	2
3	Plunger Cover	65250325	1
4	Tee	50220001	1
5	Plug	65250260	3
6	Sight Glass	65250305	1
7	Nipple	50220000	1
8	Screw	65250230	12
9	Crankshaft Frame Cap-Outboard	65250235	1
10	Inspection Plate	65250315	1
11	Screw	65250285	20
12	Gasket, Inspection Plate	65250320	1
13	Crankcase Cover	65250280	1
14	Crankcase Cover Gasket	65250275	1
15	Crankcase Breather	65250250	1
16	Crosshead Stub Seal Cap Gasket	65250220	3
17	Crosshead Stub Seal Cap	65250215	3
18	Screw	6525225	6
19*	Crosshead Stub Seal	65250210	6
20	Race, Bearing	65250245	2
21	Bearing	65250240	2
22	Insert, Connecting Rod	65250271	6
23	Connecting Rod Assembly	65250265	3
24	Crankshaft	65250290	1
25	Crankcase Oil Seal	65250295	1
26*	Shim Set	65250311	6
27	Crankcase Frame Cap-Inboard	65250300	1
28	Crosshead Assembly	65250265	3
29	Crosshead Pin	65250310	3
30	Crosshead Stub Deflector	65250205	3
31	Stuffing Box Gland	65250195	3
32*	Plunger	65250190	3

ITEM	DESCRIPTION	Plunger Size 1 1/4"	Qty.
33	Gland Follower	65250185	3
34*	Packing Set	65250180	3
35	Stuffing Box Throat Bushing	65250165	3
36	Nut	65250266	8
37	Stuffing Box Flange	65250175	1
38	Stud	See Note 1	4
39	Stuffing Box	65250170	3
40	Nut	65250227	4
41*	Stuffing Box Gasket	65250150	3
42	Stud	65250299	8
43	Nut	65250105	24
44	Discharge Valve Cover	65250160	3
45	Discharge Valve Stop	65250155	3
46*	Valve Spring	65250130	6
47*	Valve	65250135	6
48*	Valve Seat	65250140	6
49*	Valve Cover Gasket	65250120	6
50	Stud	65250110	24
51	Fluid Cylinder	65250145	1
52	Cylinder Head Extension	65250125	3

* Included in Repair Kit

Note 1: Available Only with Assembly

TRIPLEX PUMP

60 SERIES
1,025 lbs

ITEM	DESCRIPTION	Plunger Size		Plunger Size	
		1"	Qty	1 1/4"	Qty
+	Complete Pump Assembly	65260100		65305100	

ITEM	DESCRIPTION	Plunger Size		Plunger Size	
		1"	Qty	1 1/4"	Qty
Kit	Fluid End Repair Kit	65260100		65305999	
1	Power Frame	65300270	1	65300270	1
2	Screw	65100250	2	65100250	2
3	Plunger Cover	65300345	1	65300345	1
4	Tee	NI150220004	1	NI150220004	1
5	Plug	65300275	3	65300275	3
6	Sight Glass	65300320	1	65300320	1
7	Nipple	NI150210009	1	NI150210009	1
8	Screw	65300240	12	65300240	12
9	Crankshaft Frame Cap-Outboard	65300245	1	65300245	1
10	Inspection Plate	65300335	1	65300335	1
11	Screw	65300296	20	65300296	20
12	Gasket, Inspection Plate	65300340	1	65300340	1
13	Crankcase Cover	65300295	1	65300295	1
14	Crankcase Gasket	65300290	1	65300290	1
15	Crankcase Breather	65300265	1	65300265	1
16	Crosshead Stub Seal Gasket	65300215	3	65300215	3
17	Crosshead Stub Seal Cap	65300210	3	65300210	3
18	Screw	65300216	6	65300216	6
19*	Crosshead Stub Seal	65300205	6	65300205	6
20	Race, Bearing	65300260	2	65300260	2
21	Bearing	65300255	2	65300255	2
22	Insert, Connecting Rod	65300330	6	65300330	6
23	Connecting Rod Assembly	65300285	3	65300285	3
24	Crankshaft	65300300	1	65300300	1
25	Crankcase Oil Seal	65300305	1	65300305	1
26	Shim Set	65300310	6	65300310	6
27	Crankcase Frame Cap-Inboard	65300315	1	65300315	1
28	Crosshead Assembly	65300280	3	65300280	3
29	Crosshead Pin	65300325	3	65300325	3
30	Crosshead Stub Deflector	65300200	3	65300200	3
31	Stuffing Box Gland	65300195	3	65300195	3
32*	Plunger	65306104	3	65305105	3
33	Gland Follower	65260115	3	65305110	3
34*	Packing	65260105	3	65305115	3

ITEM	DESCRIPTION	Plunger Size		Plunger Size	
		1"	Qty	1 1/4"	Qty
35	Stuffing Box Throat Bushing	65260110	3	65305120	3
36	Nut	65300220	8	65300220	8
37	Stuffing Box Flange	65300175	1	65300175	1
38	Stud	65300235	4	65300235	4
39	Stuffing Box	65300170	3	65300170	3
40	Nut	65300225	4	65300225	4
41*	Stuffing Box Gasket	65300160	3	65300160	3
42	Stud	65300230	8	65300230	8
43	Nut	65300105	24	65300105	24
44	Discharge Valve Cover	65300155	3	65300155	3
46	Discharge Valve Stop	65300150	3	65300150	3
46*	Valve Spring	65306130	6	65305130	6
47*	Valve	65306135	6	65305135	6
48*	Valve Seat	65306140	6	65305140	6
49*	Valve Cover Gasket	65300125	6	65300125	6
50	Stud	65300115	24	65300115	24
51	Fluid Cylinder	65300145	1	65300145	1
52	Cylinder Head Extension	65300120	3	65300120	3

* Included in Repair Kit

TRIPLEX PUMP

60 SERIES

1,025 lbs

ITEM	DESCRIPTION	Plunger Size		Plunger Size	
		1 ¼"	Qty	1 ¾"	Qty
+	Complete Pump Assembly	65306100		65300100	

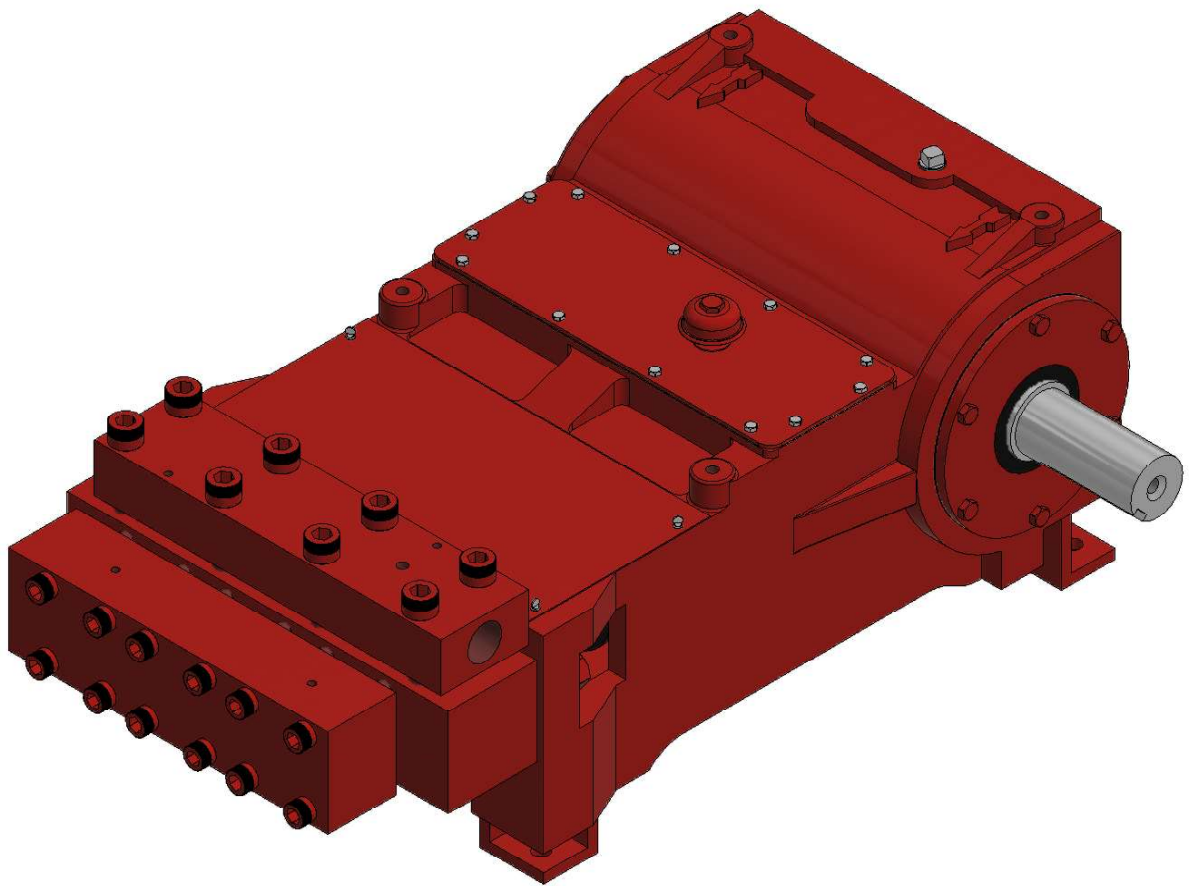
ITEM	DESCRIPTION	Plunger Size		Plunger Size	
		1 ¼"	Qty	1 ¾"	Qty
Kit	Fluid End Repair Kit	65306999		65300999	
1	Power Frame	65300270	1	65300270	1
2	Screw	65100250	2	65100250	2
3	Plunger Cover	65300345	1	65300345	1
4	Tee	NI150220004	1	NI150220004	1
5	Plug	65300275	3	65300275	3
6	Sight Glass	65300320	1	65300320	1
7	Nipple	NI150210009	1	NI150210009	1
8	Screw	65300240	12	65300240	12
9	Crankshaft Frame Cap-Outboard	65300245	1	65300245	1
10	Inspection Plate	65300335	1	65300335	1
11	Screw	65300296	20	65300296	20
12	Gasket, Inspection Plate	65300340	1	65300340	1
13	Crankcase Cover	65300295	1	65300295	1
14	Crankcase Gasket	65300290	1	65300290	1
15	Crankcase Breather	65300265	1	65300265	1
16	Crosshead Stub Seal Gasket	65300215	3	65300215	3
17	Crosshead Stub Seal Cap	65300210	3	65300210	3
18	Screw	65300216	6	65300216	6
19*	Crosshead Stub Seal	65300205	6	65300205	6
20	Race, Bearing	65300260	2	65300260	2
21	Bearing	65300255	2	65300255	2
22	Insert, Connecting Rod	65300330	6	65300330	6
23	Connecting Rod Assembly	65300285	3	65300285	3
24	Crankshaft	65300300	1	65300300	1
25	Crankcase Oil Seal	65300305	1	65300305	1
26	Shim Set	65300310	6	65300310	6
27	Crankcase Frame Cap-Inboard	65300315	1	65300315	1
28	Crosshead Assembly	65300280	3	65300280	3
29	Crosshead Pin	65300325	3	65300325	3
30	Crosshead Stub Deflector	65300200	3	65300200	3
31	Stuffing Box Gland	65300195	3	65300195	3

ITEM	DESCRIPTION	Plunger Size		Plunger Size	
		1 ¼"	Qty	1 ¾"	Qty
32*	Plunger	65306105	3	65300190	3
33	Gland Follower	65306110	3	65300185	3
34*	Packing	65306115	3	65300180	3
35	Stuffing Box Throat Bushing	65306120	3	65300165	3
36	Nut	65300220	8	65300220	8
37	Stuffing Box Flange	65300175	1	65300175	1
38	Stud	65300235	4	65300235	4
39	Stuffing Box	65300170	3	65300170	3
40	Nut	65300225	4	65300225	4
41*	Stuffing Box Gasket	65300160	3	65300160	3
42	Stud	65300230	8	65300230	8
43	Nut	65300105	24	65300105	24
44	Discharge Valve Cover	65300155	3	65300155	3
45	Discharge Valve Stop	65300150	3	65300150	3
46*	Valve Spring	65306130	6	65300130	6
47*	Valve	65306135	6	65300135	6
48*	Valve Seat	65306140	6	65300140	6
49*	Valve Cover Gasket	65300125	6	65300125	6
50	Stud	65300115	24	65300115	24
51	Fluid Cylinder	65300145	1	65300145	1
52	Cylinder Head Extension	65300120	3	65300120	3

* Included in Repair Kit

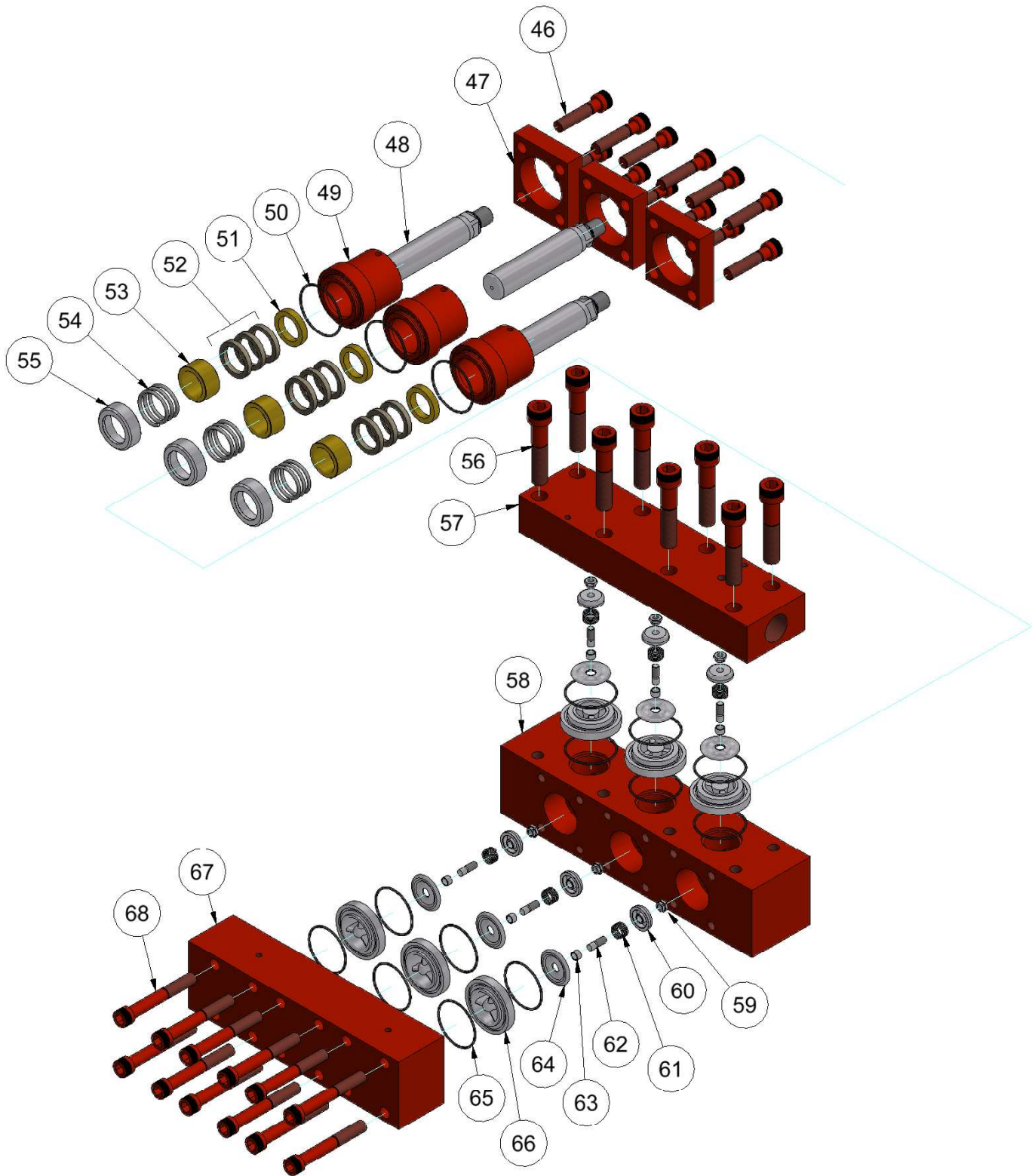
TRIPLEX PUMP

120 SERIES
2,300 lbs



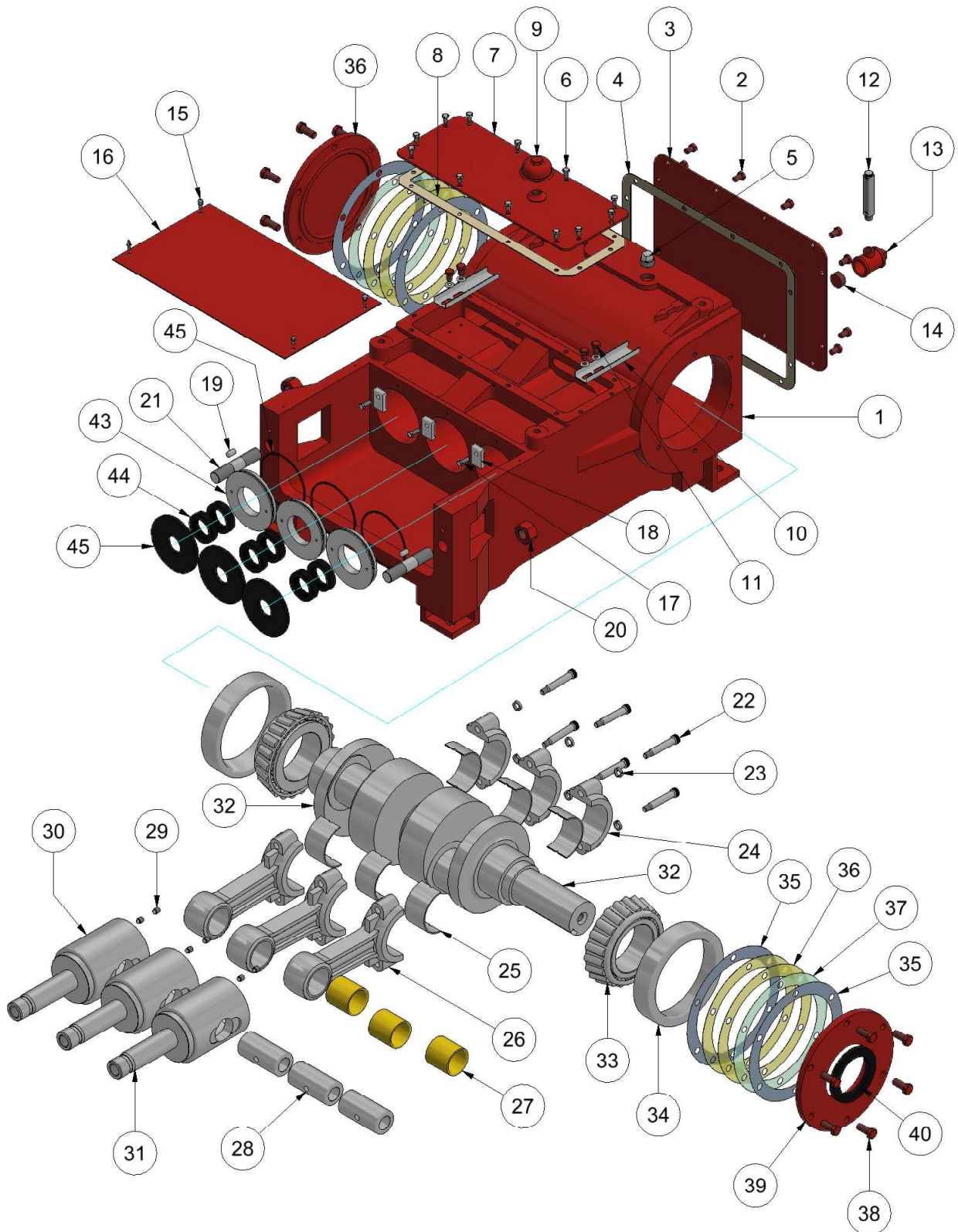
TRIPLEX PUMP

120 SERIES



TRIPLEX PUMP

120 SERIES



TRIPLEX PUMP

120 SERIES

ITEM	DESCRIPTION	Plunger Size		Qty.
		1 1/2"	2"	
+	Complete Pump Assembly - RH	65850100	65850100	1
+	Complete Pump Assembly - LH	65850100LH	65850100LH	1
+	Complete Pump Assembly - RH (SAE Port)	65850102	65850102	1
+	Complete Pump Assembly - LH (SAE Port)	65850102	65850102	1

ITEM	DESCRIPTION	Plunger Size		Qty.
		1 1/2"	2"	
Kit	Power Frame Repair Kit	??	65850997	1
Kit	Fluid End Repair Kit	??	65850999	1
1	Power Frame	65850110	65850110	12
2	Cap Screw, 1/2"-13 X 3/4"	NPN	NPN	12
3	Cover, Crankcase	65850275	65850275	1
4**	Gasket, Crankcase Cover	65850280	65850280	1
5	Sq. Head Plug, Oil Level Gauge	65850115	65850115	1
6	Cap Screw, 3/8"-16 X 5/8"	65850270	65850270	12
7	Cover, Crosshead Inspection	65850260	65850260	1
8**	Gasket, Crosshead Inspection	65850265	65850265	1
9	Oil Breather, Crankcase	65850120	65850120	1
10	Scupper, Oil	65850290	65850290	2
11	Cap Screw, 3/8"-16 X 5/8"	65850285	65850285	4
12	Sight Glass, Oil Level Gauge	65850295	65850295	1
13	Tee, Reducing	65850300	65850300	1
14	Nipple, Oil Level Gauge	65850305	65850305	1
15	Nut, Wing, Plunger Cover	65850460	65850460	4
16	Cover, Plunger	65850455	65850455	1
17	Cap Screw, 3/8"-16 X 1"	65850255	65850255	3
18	Stub Seal Cap Clamp	65850250	65850250	3
19	Dowel Pin, Cylinder	65850310	65850310	2
20	Nut, Fluid Cylinder Tie Stud	65850330	65850330	2
21	Stud, Tie Cylinder	65850325	65850325	2
22	Cap Screw, 1/2"-20 X 2-1/2"	65850145	65850145	6
23	Lockwasher, Connecting Rod	65850140	65850140	6
24	Connecting Rod Cap	65850135	65850135	3
25	Bearing, Connecting Rod	65850170	65850170	6
26	Connecting Rod	65850130	65850130	3
27	Bearing, Connecting Rod	65850150	65850150	3
28	Bearing, Crosshead Pin	65850160	65850160	3
29	Socket Head Setscrew, Crosshead	65850165	65850165	6
30	Crosshead	65850155	65850155	3
31	Stub, Crosshead	65850175	65850175	3
32	Crankshaft	65850210	65850210	1
33	Bearing, Crankshaft	65850190	65850190	2
34**	Bearing Cup, Crankshaft	65850195	65850195	2

ITEM	DESCRIPTION	Plunger Size		Qty.
		1 1/2"	2"	
35**	Shim, Frame Cap (Blue)	65850205	65850205	4
36**	Shim, Frame Cap (Yellow)	65850205	65850205	6
37**	Shim, Frame Cap (Clear)	65850205	65850205	2
38	Capscrew, 5/8-11 X 1-1/2"	65850225	65850225	12
39	Frame Cap, Crankshaft, Inboard	65850220	65850220	1
40**	Oil Seal, Crankshaft	65850200	65850200	1
41	Frame Cap, Crankshaft, Outboard	65850230	65850230	1
42**	O-Ring, Seal Cap	65850245	65850245	3
43	Seal Cap, Crosshead Stub	65850240	65850240	3
44*	Oil Seal, Crosshead Stub	65850235	65850235	6
45	Deflector, Crosshead Stub	65850180	65850180	3
46	Cap Screw, Hex Skt. Hd., 7/8- 9 UNC	65850405	65850405	12
47	Flange, Stuffing Box	65850400	65850400	3
48*	Plunger	65850445	65850445	3
49	Stuffing Box	65850415	65850415	3
50*	O-Ring, Stuffing Box	65850420	65850420	3
51	Gland Follower	65850440	65850440	3
52*	Packing Set	65850450	65850450	3
53	Throat Bushing	65850435	65850435	3
54	Spring, Stuffing Box	65850430	65850430	3
55	Spring Adapter	65850425	65850425	3
56	Capscrew, Hex Skt. Hd., 1-1/8-7 UNC	65850395	65850395	8
57	Manifold, Discharge	65850390	65850390	1
58	Fluid Cylinder	65850320	65850320	1
59	Locknut, Valve	65850375	65850375	6
60	Guard, Valve	65850355	65850355	6
61*	Spring, Valve	65850350	65850350	6
62	Stud, Valve	65850370	65850370	6
63	Sleeve, Valve	65850365	65850365	6
64*	Disc, Valve	65850345	65850345	6
65	O-Ring Valve Seat #568-238	65850360	65850360	12
66*	Valve Seat	65850340	65850340	6
67	Manifold, Suction	65850380	65850380	1
68	Capscrew, Hex Skt. Hd., 7/8-9 UNC	65850385	65850385	12

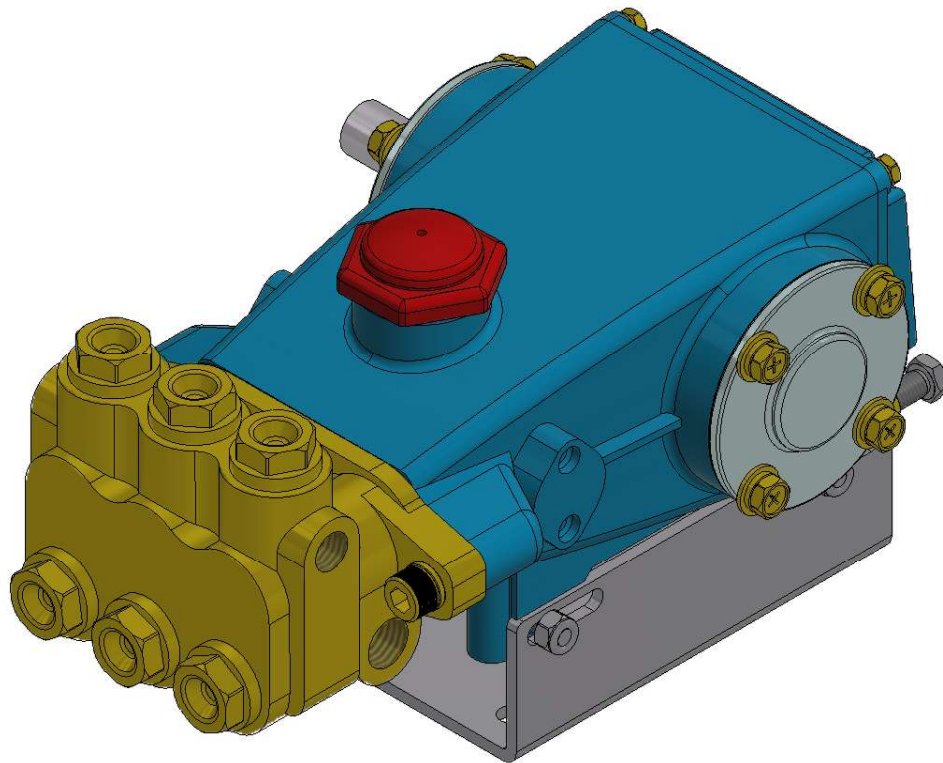
* Included in Fluid End Repair Kit

**Included in Power Frame Repair Kit

TRIPLEX PUMP

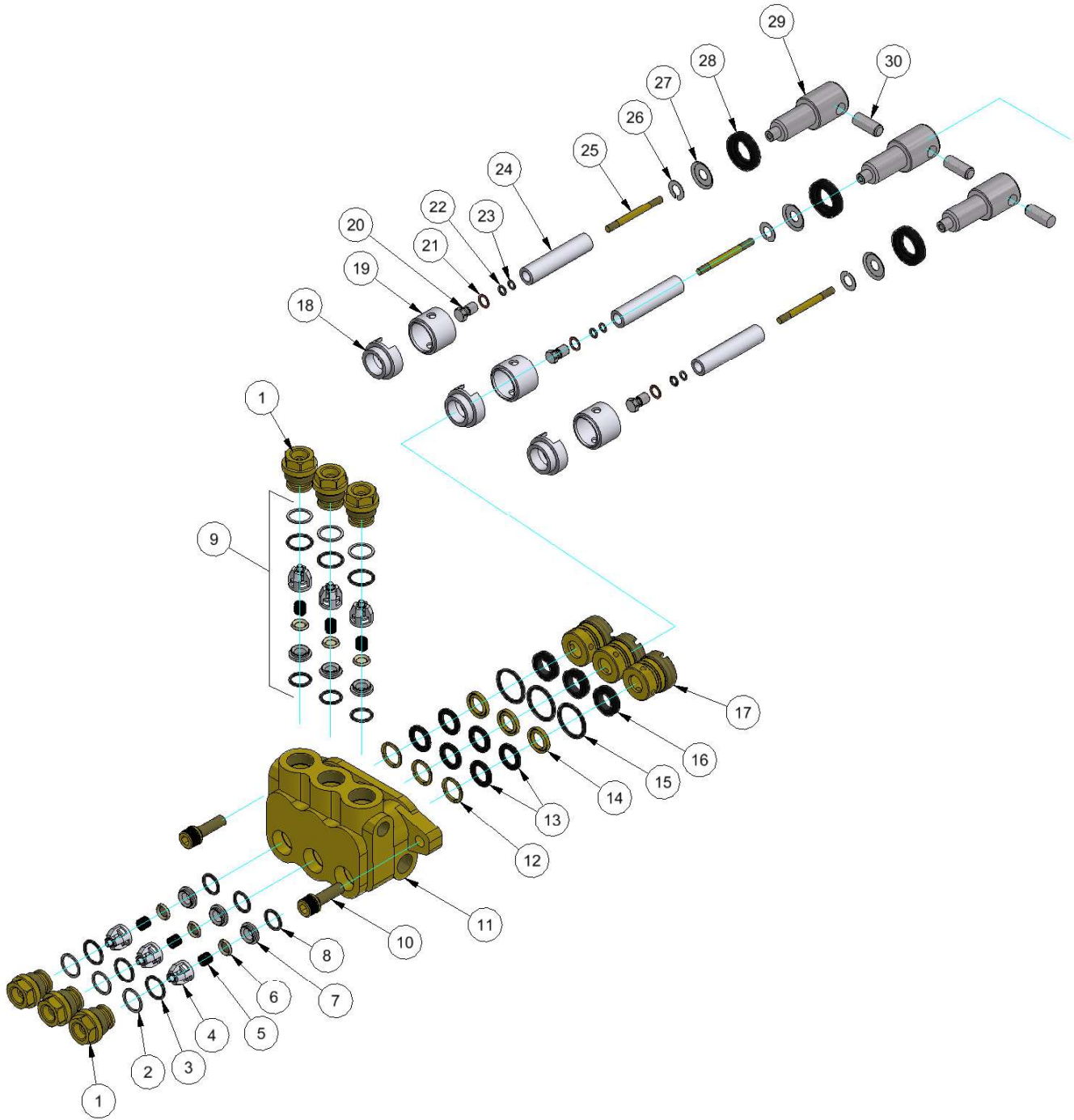
C45 SERIES

24 lbs



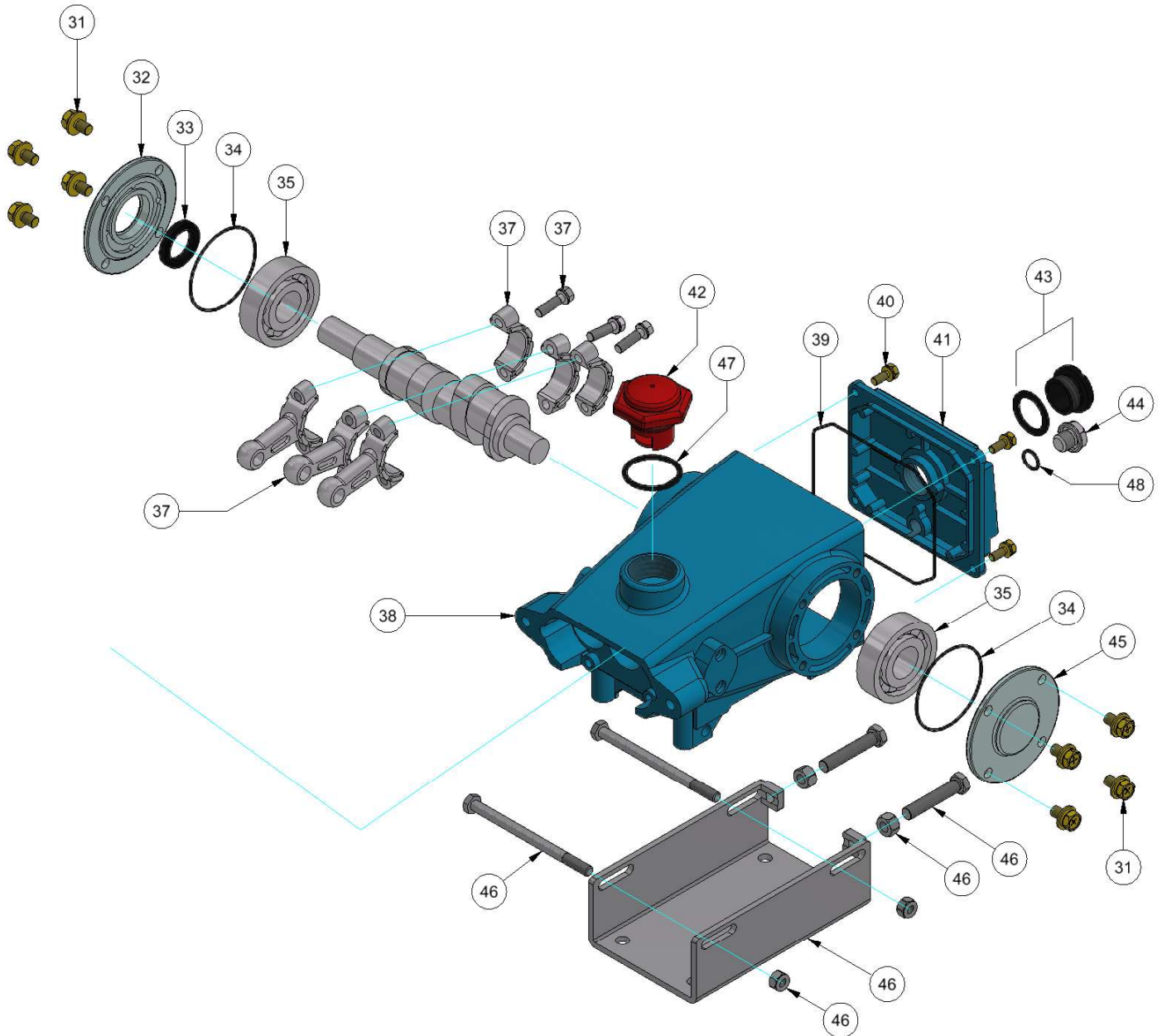
TRIPLEX PUMP

C45 SERIES



TRIPLEX PUMP

C45 SERIES



TRIPLEX PUMP

C45 SERIES

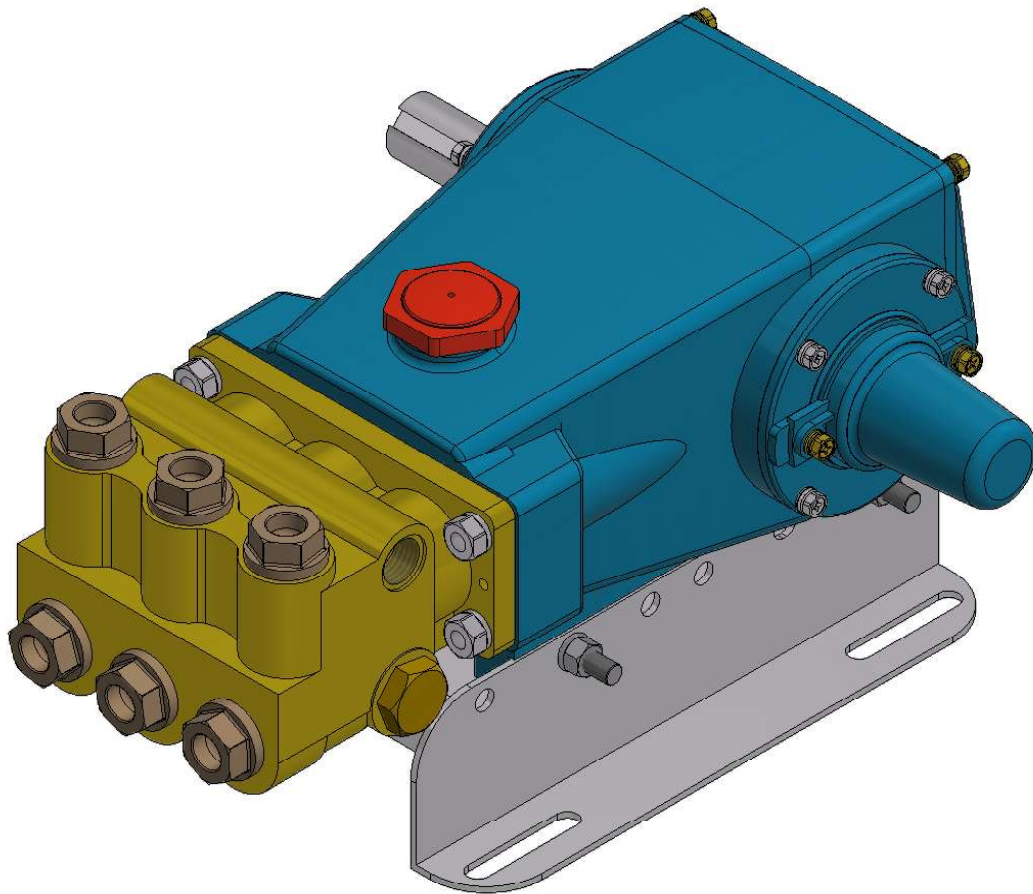
Item	Description	Part No.	Qty
+	Complete Pump Assembly	65450100	

Item	Description	Part No.	Qty	Item	Description	Part No.	Qty
Kit	Seal Kit	65450998	1	34	O-Ring, Bearing Case	65450175	2
Kit	Valve Kit	65450999	2	35	Bearing	65450185	2
1	Valve Plug	65450365	6	36	Crank Shaft	65450195-C	1
2*	Backup Ring, Valve Plug	N/A	6	37	Connecting Rod Assy.	65450190	3
3*	O-Ring, Valve Plug	N/A	6	38	Crankcase	65450375	1
4*	Valve Spring Retainer	N/A	6	39	O-Ring, Crankcase Cover	65450380	1
5*	Valve Spring	N/A	6	40	Crankcase Cover	65450385	1
6*	Valve	N/A	6	41	Screw (M6x16)	65400105	4
7*	Valve Seat	N/A	6	42	Oil Filler Cap	65712120	1
8*	O-Ring, Valve Seat	N/A	6	43	Oil Gauge Bubble W/Gasket	65400155	1
9	Valve Assembly	65450385	6	44	Drain Plug	65350220	1
10	Hex Socket Bolt w/Washer	65450381	2	45	Blind Shaft Cover	65450170	1
11	Manifold Head	65450370	1	46	Angle Rail Assembly	65450110	1
12	Male Adapter	65450325	3	47	O-Ring, Oil Filler Cap	65350185	1
13**	V-Packing	N/A	6	48	O-Ring, Drain Plug	65350225	1
14	Female Adapter	65450315	3				
15**	O-Ring, Seal Case	N/A	3		*Included in Valve Kit		
16**	Low Pressure Seal	N/A	3		** Included in Seal Kit		
17	Seal Case	65450305	3				
18	Seal Retainer-Rear	65450295	3				
19	Seal Retainer, Adapter	65450260	3				
20	Plunger Retainer	65450290	3				
21	Gasket, Plunger Retainer	65450285	3				
22**	O-Ring, Plunger Retainer	N/A	3				
23	Backup Ring, Plunger Retainer	65450275	3				
24	Plunger	65450161	3				
25	Stud, Plunger Retainer	65450270	3				
26	Keyhole Washer	65450265	3				
27	Barrier Slinger	65450255	3				
28	Oil Seal, Crankcase	65450250	3				
29	Plunger Rod	65450245	3				
30	Pin, Plunger Rod	65450240	3				
31	Screw (M8x16)	65450165	8				
32	Bearing Case	65450171	1				
33	Oil Seal, Crankshaft	65450180	1				

TRIPLEX PUMP

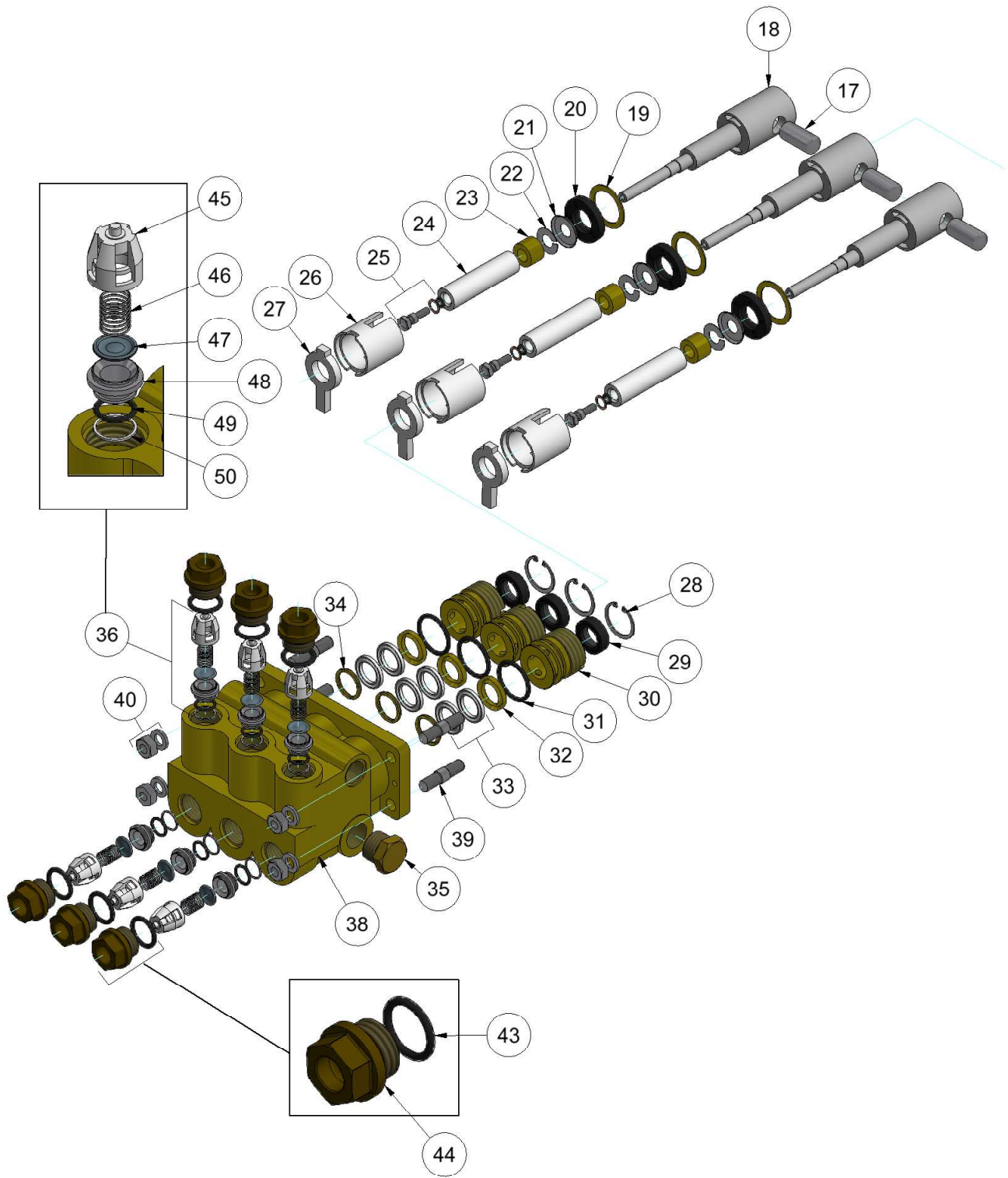
C65 SERIES

44 lbs



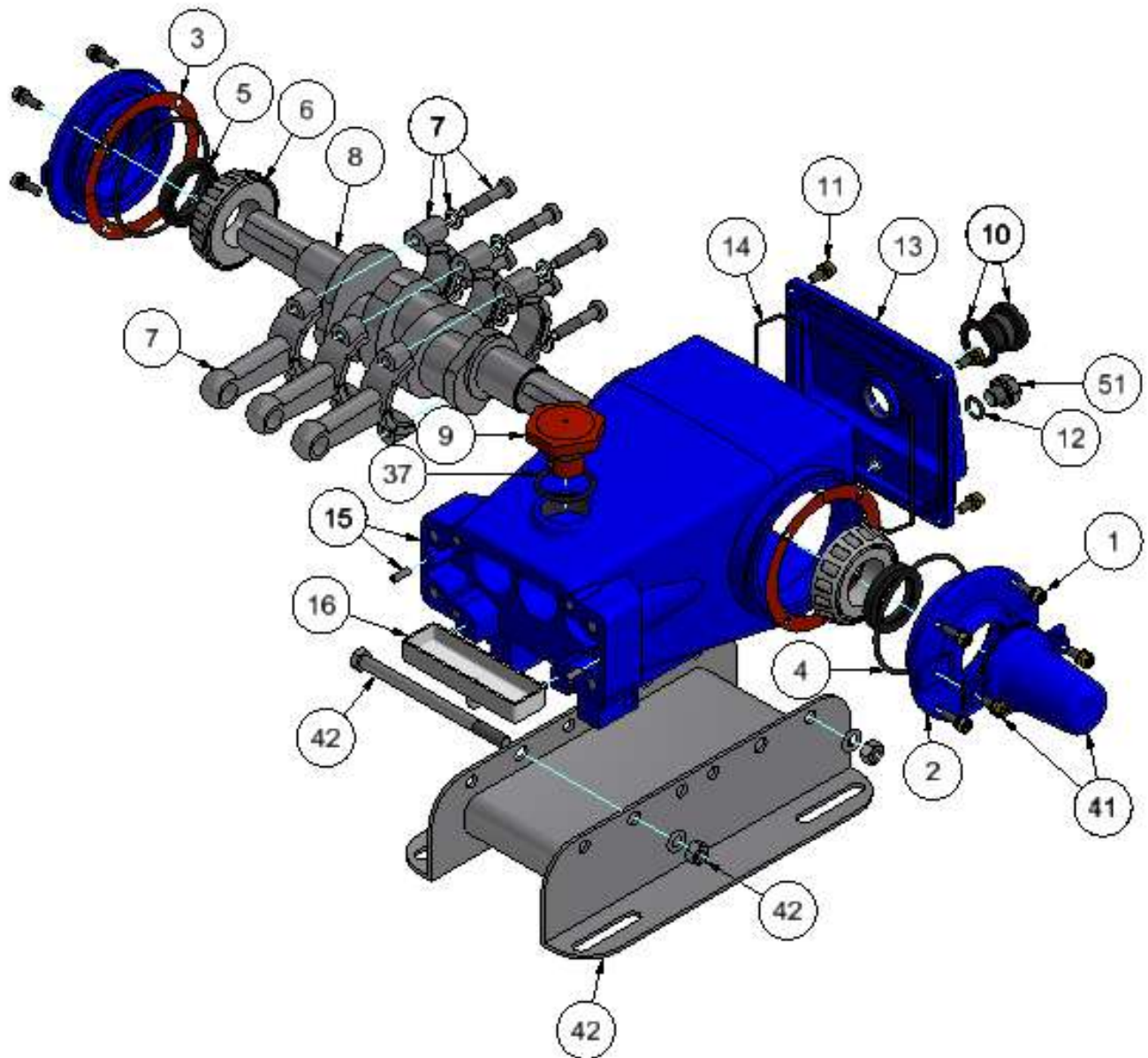
TRIPLEX PUMP

C65 SERIES



TRIPLEX PUMP

C65 SERIES



TRIPLEX PUMP

C65 SERIES

Item	Description	Part No.	Qty
+	Complete Pump Assembly	65400100	

Item	Description	Part No.	Qty
Kit	Valve Kit	65400399	2
Kit	Seal Kit	65400398	1
1	Screw, Hex Head (M6x16)	65400105	8
2	Bearing Case	65400115	2
3	Split Shim, Bearing Case, 2 Pc.	65400180	2
4	O-Ring, Bearing Case	65400120	2
5	Oil Seal	65400125	2
6	Bearing	65400130	2
7	Connecting Rod Assembly	65400135	3
8	Crankshaft - Dual End	65400145	1
9	Oil Filler Cap	65400140	1
10	Oil Gauge, Bubble w/Gasket	65400155	1
11	Screw (M6x20)	65400150	4
12	O-Ring	65400160	1
13	Crankcase Cover	65400165	1
14	O-Ring, Crankcase Cover	65400170	1
15	Crankcase w/Guidepins	65400185	1
16	Oil Pan	65400195	1
17	Pin, Piston Rod	65400196	3
18	Plunger Rod	65400190	3
19	Seal Washer, Flat	65400200	3
20	Oil Seal, Crankcase	65400205	3
21	Barrier Slinger	65400210	3
22	Washer, Keyhole	65400220	3
23	Spacer, Plunger	65400215	3
24	Plunger (M77)	65400225	3
25*	Plunger Retainer O-Ring	65400235	3
26	Seal Retainer	65400240	3
27	Wick, Long Tab	65400250	3
28	Retaining Ring	65400270	3
29*	Lo-Pressure Seal	N/A	3
30	Seal Case	65400280	3
31*	O-Ring, Seal Case	N/A	3
32	Female Adapter	65400290	3
33*	V-Packing	N/A	6

Item	Description	Part No.	Qty
34	Male Adapter	65400300	3
35	Plug, Inlet 3/4"	65400310	1
36**	Valve Assembly	N/A	6
37	O-Ring, Filler Cap	65350185	1
38	Manifold Head	65400265	1
39	Stud Bolt (M10x45)	65400305	4
40	Hex Nut w/Washer (M10)	65400315	4
41	Shaft Protector w/ 2 Screws	65400110	1
42	Angle Rail Assembly	65400320	1
43	Valve Plug	65400242	6
44*	O-Ring, Valve Plug	N/A	6
45*	Valve Spring Retainer	N/A	6
46**	Valve Spring	N/A	6
47**	Valve	N/A	6
48**	Valve Seat	N/A	6
49**	O-Ring, Valve Seat	N/A	6
50**	Back-up Ring, Valve Seat	N/A	6
51	Drain, Plug	65350220	1

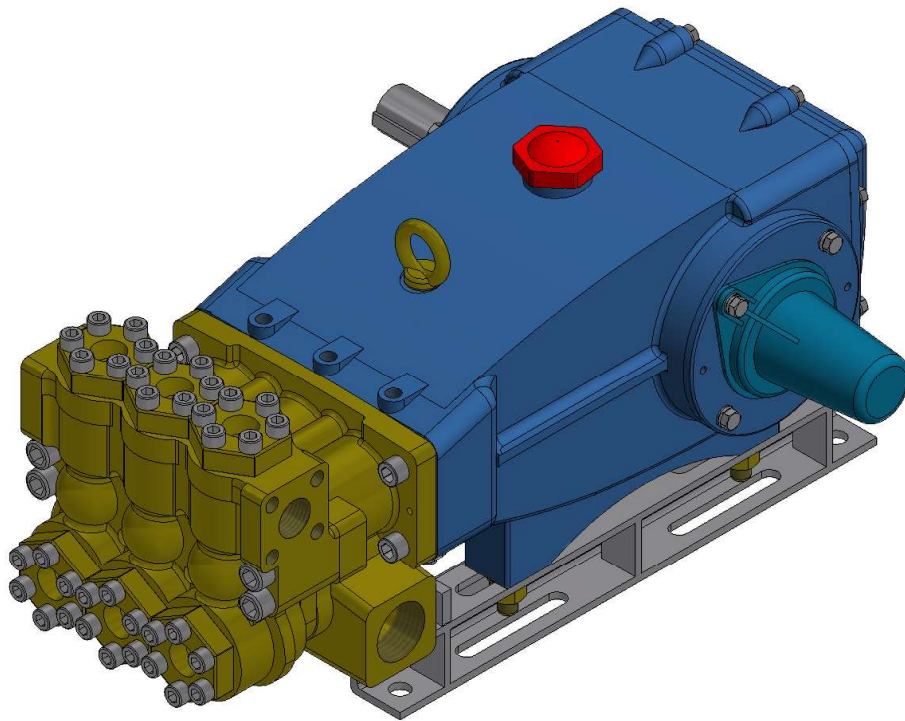
*Included in Seal Kit

** Included in Valve Kit

TRIPLEX PUMP

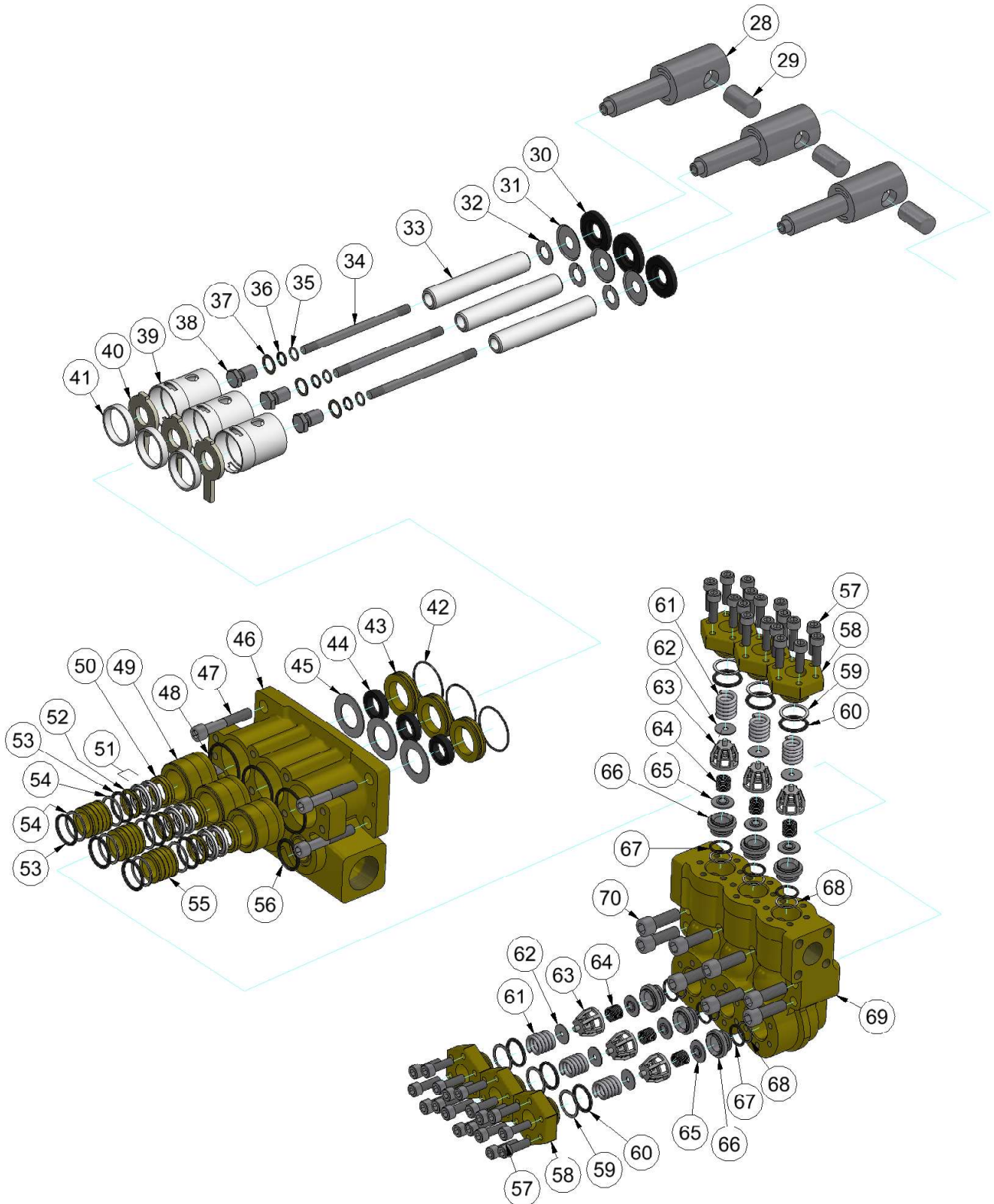
C75 SERIES

152 lbs



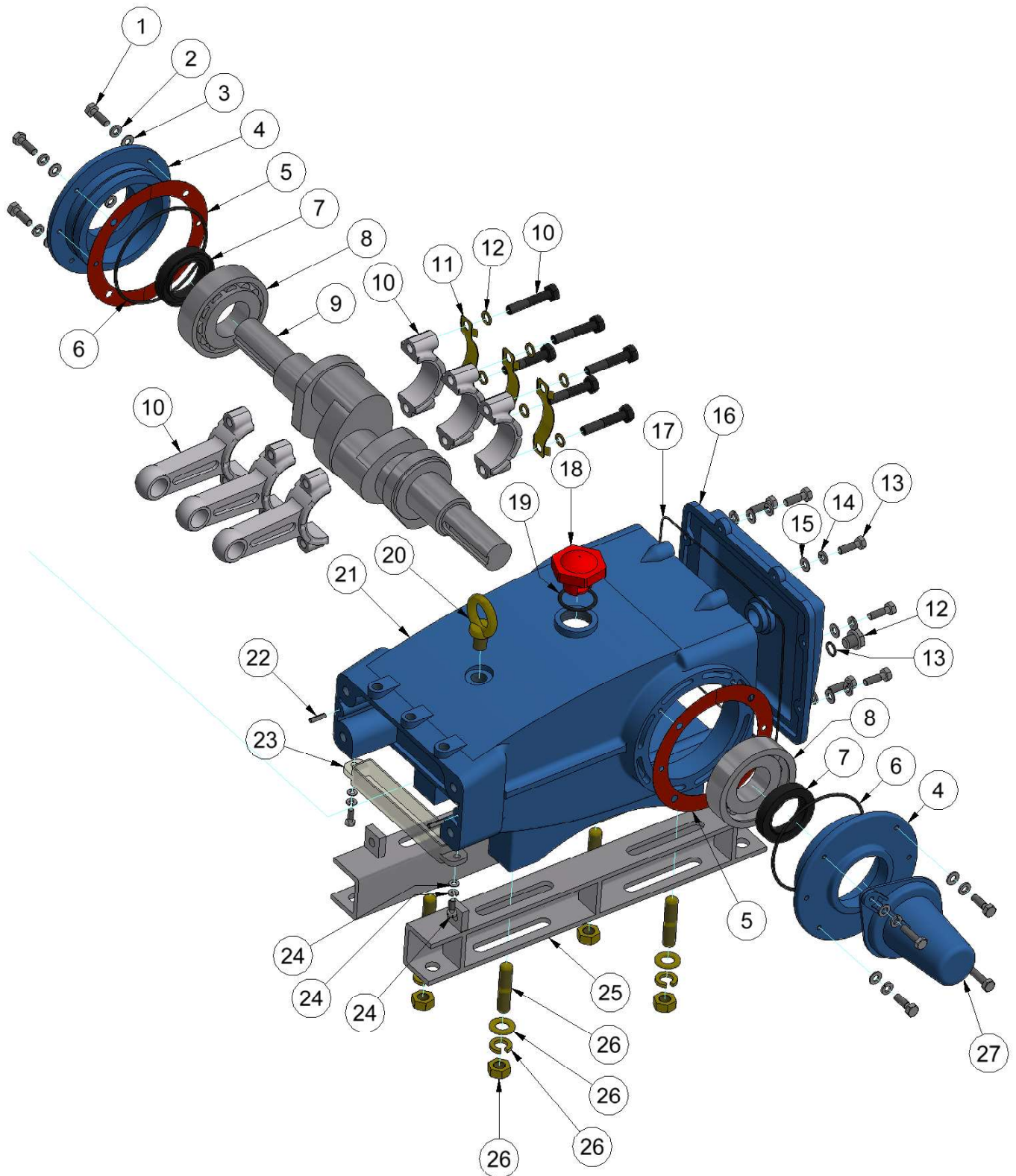
TRIPLEX PUMP

C75 SERIES



TRIPLEX PUMP

C75 SERIES



TRIPLEX PUMP

C75 SERIES

Item	Description	Part No.	Qty
+	Complete Pump Assembly	65350100	

Item	Description	Part No.	Qty
Kit	Seal Kit	65350999	1
Kit	Valve Kit	65350997	2
1	Hex Head Screw	65350120	8
2	Spring Washer	65350125	8
3	Washer	65350130	8
4	Bearing Case	65350135	2
5	Shim 1/2 Circle	65350140	2
6	O-Ring, Bearing Case	65350145	2
7	Oil Seal, Crankshaft	65350150	2
8	Bearing	65350155	2
9	Crankshaft	65350175	1
10	Connecting Rod Assembly	65350160	3
11	Locking Washer, Connecting Rod	65350165	3
12	Washer, Connecting Rod	65720165	3
13	Comb. Head Screw	65350205	8
14	Spring Washer	65350210	8
15	Washer	65350215	8
16	Crankcase Cover	65350230	1
17	O-Ring, Crankcase Cover	65350235	1
18	Oil Filler Cap	65350180	1
19	O-Ring, Oil Filler Cap	65350185	1
20	Eyebolt	65350190	1
21	Crankcase	65350240	1
22	Guide Pins	65350245	2
23	Oil Pan	65350250	1
24	Sems Comb. Head Screw	65350255	2
25	Box Rail	65350105	2
26	Direct Mount Kit-Course	65350525	1
27	Shaft Protector w/2 Screws	65350505	1
28	Plunger Rod	65350285	3
29	Pin, Plunger Rod	65350260	3
30	Oil Seal, Plunger Rod	65350270	3
31	Barrier Slinger	65350275	3
32	Keyhole Washer	65350280	3
33	Plunger	65350115	3
34	Retainer Stud, Plunger Rod	65350290	3
35	Back-up Ring	65350295	3

Item	Description	Part No.	Qty
36*	O-Ring, Plunger Retainer	N/A	3
37	Gasket	65350310	3
38	Plunger Retainer	65350315	3
39	Seal Retainer	65350320	3
40	Wick	65350325	3
41	Washer, Oil Seal	65350265	3
42*	O-Ring Adapter	N/A	3
43	Inlet Adapter, Lo-Pressure Seal	65350340	3
44*	Low Pressure Seal	N/A	3
45	Washer, Lo-Pressure Seal	65350355	3
46	Inlet Manifold	65350360	1
47	Hex Socket Bolt, Inlet Manifold	65350375	4
48*	O-Ring, V-Packing-Cylinder	65350385	3
49	V-Packing-Cylinder	65350390	3
50	Female-Adapter	65350395	3
51*	V-Packing	N/A	6
52	Male-Adapter	65350405	3
53*	O-Ring, V-Packing-Spacer	N/A	6
54*	Back-up Ring, V-Packing-Spacer	N/A	6
55	V-Packing-Spacer	65350425	3
56*	O-Ring, Inlet Manifold	N/A	3
57	Hex Socket Screw, Valve Plug	65350375	36
58	Valve Plug	65350490	6
59**	Back-up Ring, Valve Plug	N/A	6
60**	O-Ring, Valve Plug	N/A	6
61	Coil Spring	65350470	6
62**	Washer, Spring Retainer	N/A	6
63**	Spring Retainer	N/A	6
64**	Valve Spring	N/A	6
65**	Valve	N/A	6
66**	Valve Seat	N/A	6
67**	O-Ring, Valve Seat	N/A	6
68**	Back-up Ring, Valve Seat	N/A	6
69	Discharge Manifold	65350520	1
70	Hex Socket Bolt, Discharge Manifold	65350522	8

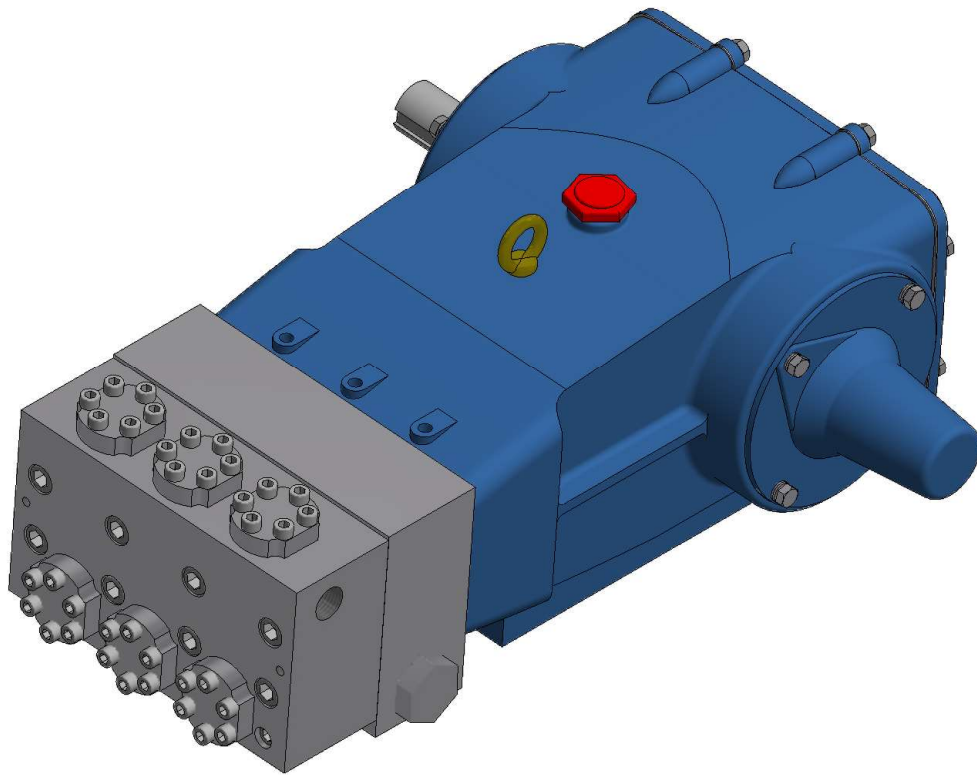
* Included in Seal Kit

** Included in Valve Kit

TRIPLEX PUMP

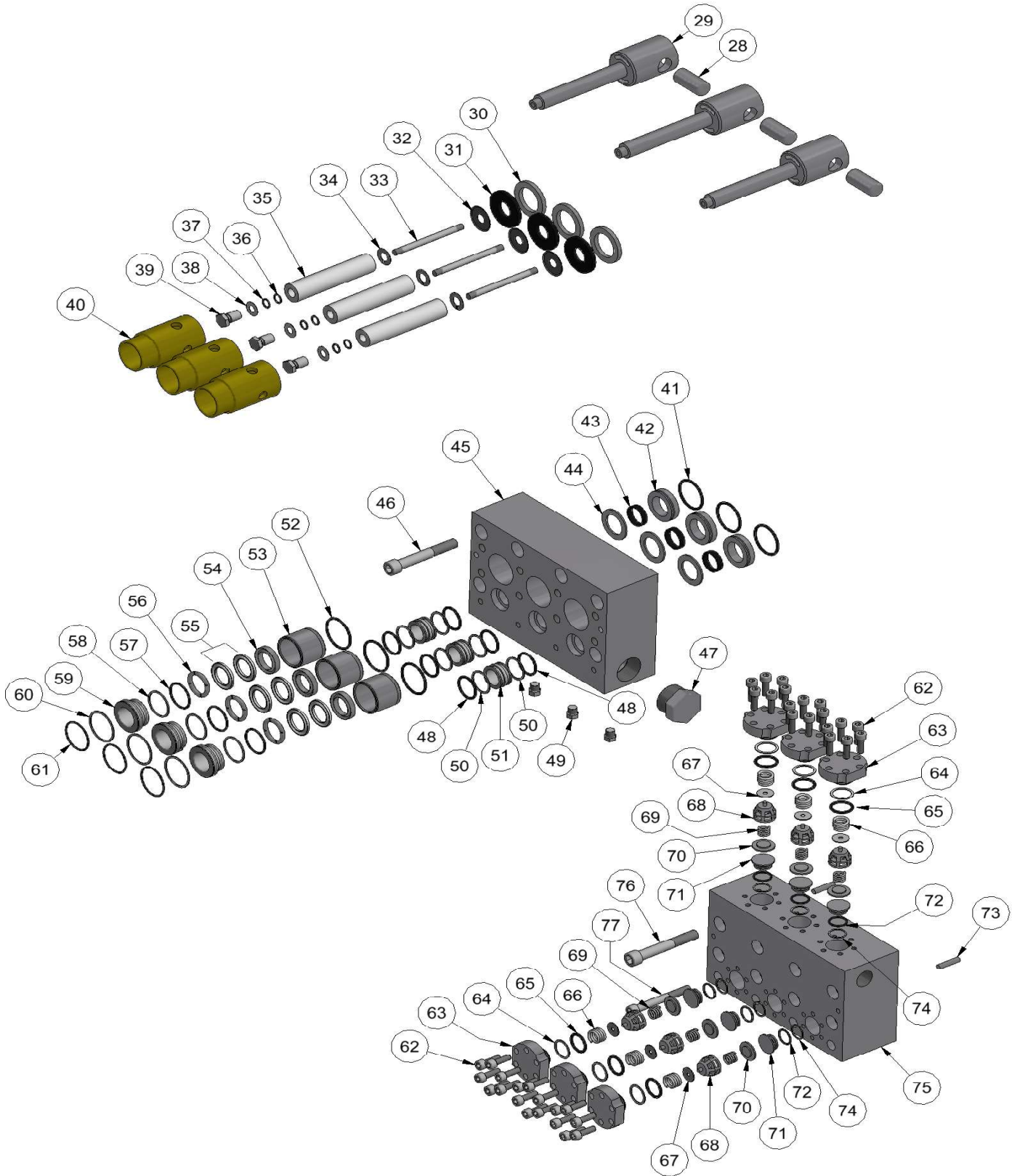
C85 SERIES - 6821

355 lbs



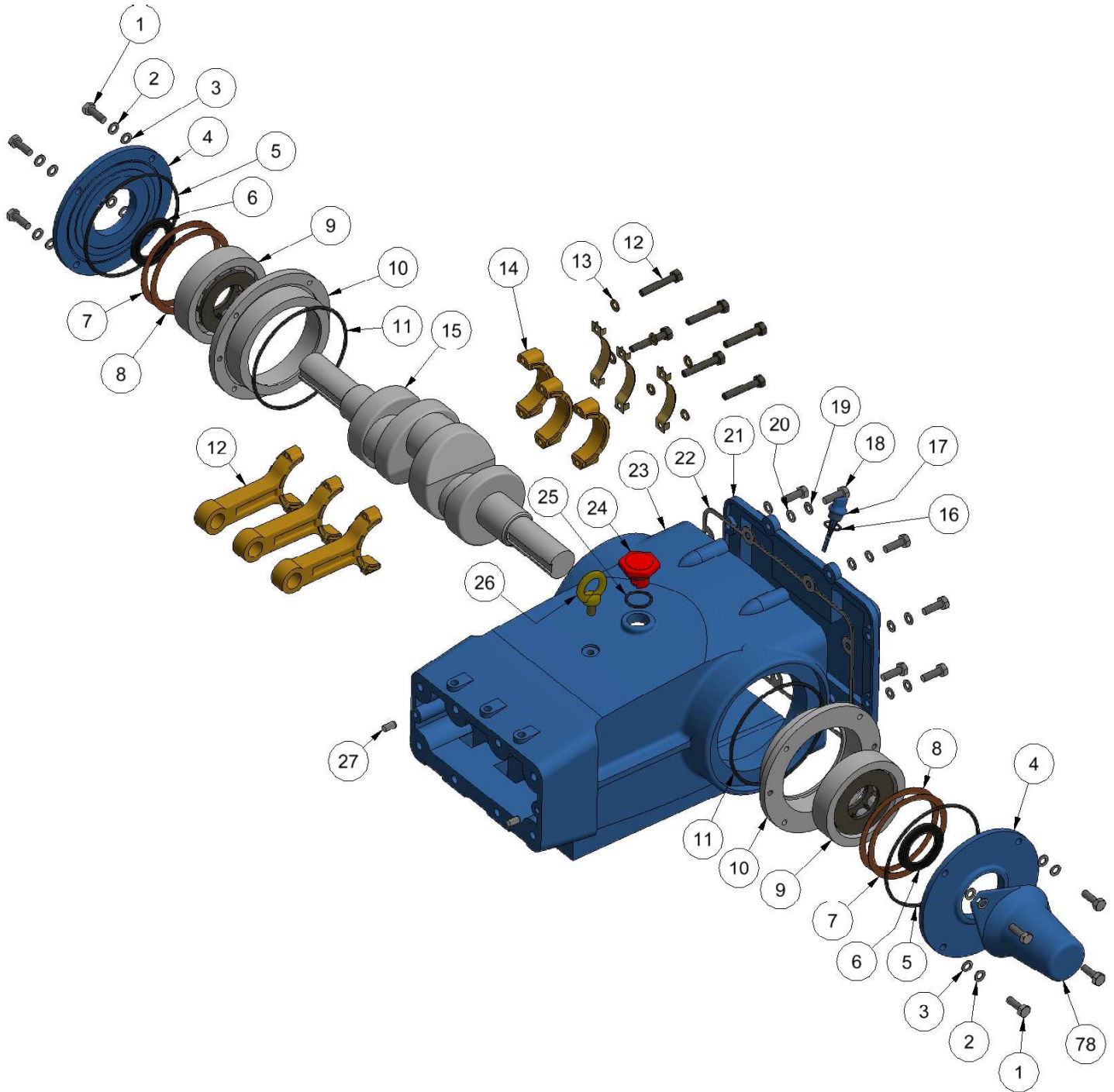
TRIPLEX PUMP

C85 SERIES - 6821



TRIPLEX PUMP

C85 SERIES - 6821



TRIPLEX PUMP

C85 SERIES - 6821

Item	Description	Part No.	Qty.
+	Complete Pump Assembly	65720100	

Item	Description	Part No.	Qty.
Kit	Seal Kit	65720998	
Kit	Valve Kit	65720999	2
1	Screw	65720105	8
2	Lockwasher	65720110	8
3	Washer, Flat	65720115	8
4	Cover, Bearing-Outer	65720120	2
5	O-Ring, Bearing Cover	65720155	2
6	Seal, Oil, Crankshaft	65720130	2
7	Washer, Shim (M120x0.3)	65720135	0-2
8	Washer, Shim (M120x0.5)	65720140	0-2
9	Bearing, Roller	65720145	2
10	Cover, Bearing-Inner	65720150	2
11	O-Ring, Bearing Cover	65720155	2
12	Assembly, Connecting Rod	65720160	3
13	Washer, Shim	65720165	3
14	Washer, Locking	65720170	3
15	Crankshaft, Dual Shaft	65720175	1
16	O-Ring, Dipstick	65720180	1
17	Stick, Dip	65720185	1
18	Screw, HH	65720190	8
19	Lockwasher	65720195	8
20	Washer, Flat	65720200	8
21	Cover, Rear	65720205	1
22	Gasket, Rear Cover	65720210	1
23	Crankcase, W/Guide Pins	65720215	1
24	Cap, Oil Filler	65720220	1
25	O-Ring, Filler Cap	65720225	1
26	Bolt, Eye	65720230	1
27	Pin, Guide	65720235	2
28	Pin, Crosshead	65720240	3
29	Crosshead	65720245	3
30	Washer, Oil Seal	65720250	3
31	Seal, Oil, Crankcase	65720255	3
32	Slinger, Barrier	65720260	3
33	Stud, Plunger Retainer	65720265	3
34	Washer, Keyhole	65720270	3
35	Plunger	65720285	3
36	Backup Ring, Plunger Retainer	65720290	3
37*	O-Ring, Plunger Retainer	65720295	3
38	Gasket, Plunger Retainer	65720300	3

Item	Description	Part No.	Qty.
39	Retainer, Plunger	65720305	3
40	Retainer, Seal	65720310	3
41*	O-Ring, Adapter, Inlet	65720315	3
42	Adapter, Inlet, LPS	65720320	3
43*	Seal, LPS, w/SS-Spg	65720325	3
44	Washer, LPS	65720330	3
45	Manifold Inlet, Block-Style	65720335	1
46	Screw, HSM	65720490	8
47	Plug, Inlet Manifold	65720345	1
48*	O-Ring, Spacer	65720350	6
49	Plug, (1/4" NPT)	65720355	3
50*	Back-up Ring, Spacer	65720360	6
51	Spacer, Inlet	65720365	3
52*	O-Ring, V-Packing Cylinder	65720370	3
53	Cylinder, V-Packing	65720375	3
54	Adapter, Female	65720380	3
55*	V-Packing	65720385	6
56	Adapter, Male	65720390	3
57*	O-Ring, Spacer, Inner	65720395	3
58	Backup Ring, Spacer, Inner	65720400	3
59*	Spacer, V-Packing	65720405	3
60*	Back-up-Ring, Spacer, Outer	65720410	3
61*	O-Ring, Spacer, Outer	65720415	3
62	Screw, HSH	65720420	36
63	Plug, Valve	65720425	6
64**	Back-up-Ring, Valve Plug	65720430	6
65**	O-Ring, Valve Plug	65720435	6
66	Spring, Coil	65720440	6
67**	Washer, Retainer	65720445	6
68**	Retainer, Spring	65720450	6
69**	Spring	65720455	6
70**	Valve	65720460	6
71**	Seat	65720465	6
72**	O-Ring, Seat	65720470	6
73	Pin, Guide	65720475	2
74**	Back-up-Ring, Seat	65720480	6
75	Manifold, Discharge, Block-Style	65720485	1
76	Screw, HSH, Upper	65720490	6
77	Screw, HSH, Lower	65720495	4
76	Shaft, Protector	65720500	1

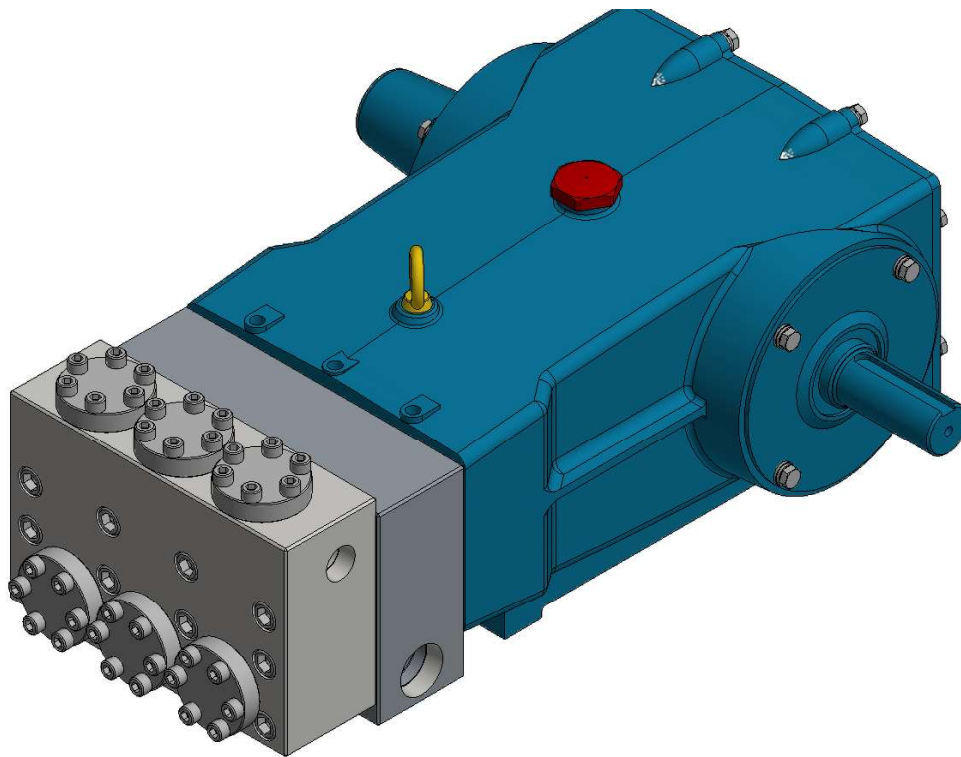
*Included with Seal Kit

**Included with Valve Kit

TRIPLEX PUMP

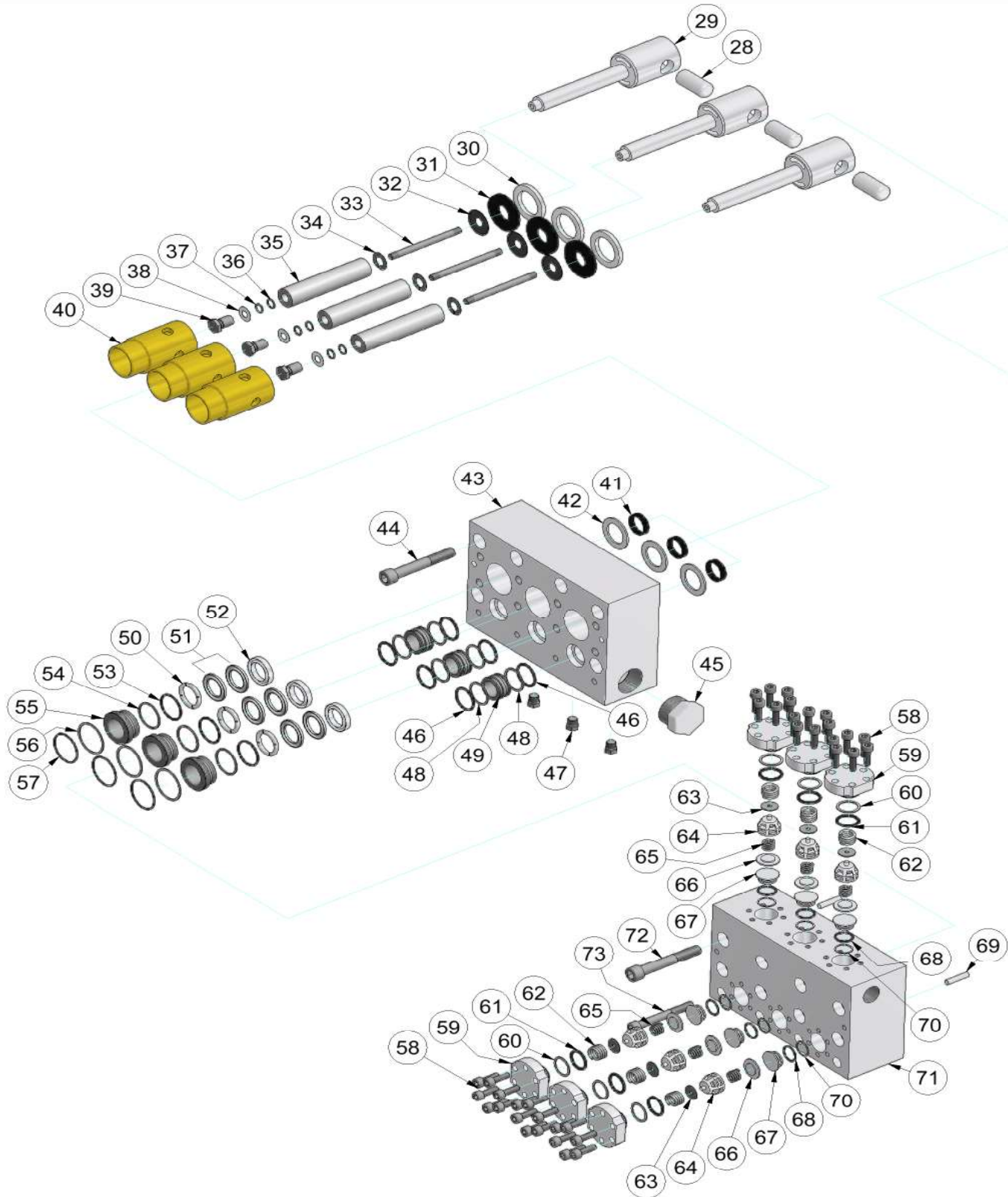
C85 SERIES - 6831

355 lbs



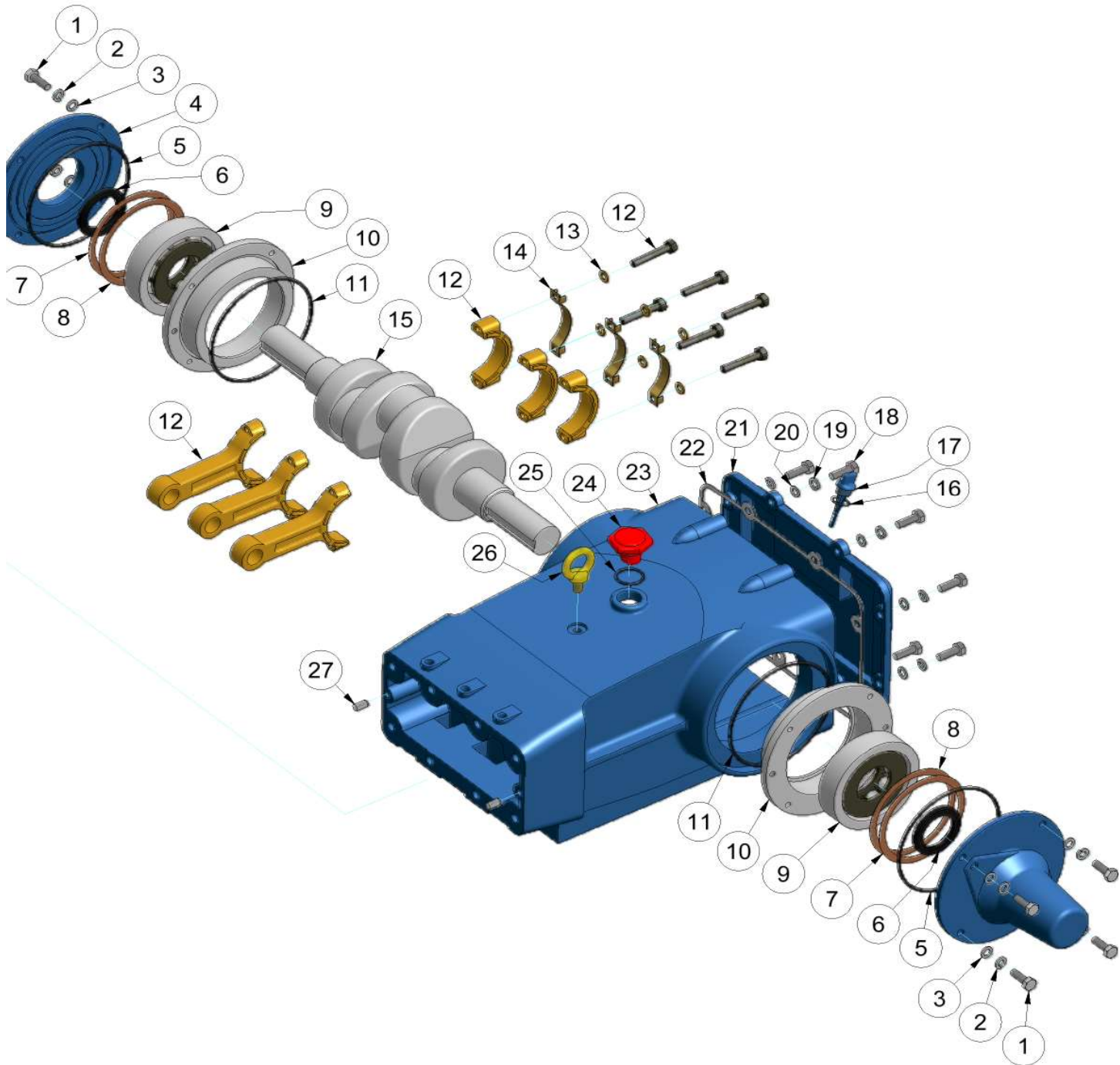
TRIPLEX PUMP

C85 SERIES - 6831



TRIPLEX PUMP

C85 SERIES - 6831



TRIPLEX PUMP

C85 SERIES - 6831

Item	Description	Part No.	Qty.
+	Complete Pump Assy - 6831 w/aluminum crank case/SS fluid end	65730100	
+	Complete Pump Assy - 6831 w/cast iron crank case/SS fluid end	65730101	
Item	Description	Part No.	Qty.
Kit	Seal Kit	65720998	
Kit	Valve Kit	65720999	2
1	Screw	65720105	8
2	Lockwasher	65720110	8
3	Washer, Flat	65720115	8
4	Cover, Bearing-Outer	65720120	2
5	O-Ring, Bearing Cover	65720155	2
6	Seal, Oil, Crankshaft	65720130	2
7	Washer, Shim (M120x0.3)	65720135	0-2
8	Washer, Shim (M120x0.5)	65720140	0-2
9	Bearing, Roller	65720145	2
10	Cover, Bearing-Inner	65720150	2
11	O-Ring, Bearing Cover	65720155	2
12	Assembly, Connecting Rod	65720160	3
13	Washer, Shim	65720165	3
14	Washer, Locking	65720170	3
15	Crankshaft, Dual Shaft	65720175	1
16	O-Ring, Dipstick	65720180	1
17	Stick, Dip	65720185	1
18	Screw, HH	65720190	8
19	Lockwasher	65720195	8
20	Washer, Flat	65720200	8
21	Cover, Rear	65720205	1
22	Gasket, Rear Cover	65720210	1
23	Crankcase, W/Guide Pins	65720215	1
24	Cap, Oil Filler	65720220	1
25	O-Ring, Filler Cap	65720225	1
26	Bolt, Eye	65720230	1
27	Pin, Guide	65720235	2
28	Pin, Crosshead	65720240	3
29	Crosshead	65720245	3
30	Washer, Oil Seal	65720250	3
31	Seal, Oil, Crankcase	65720255	3
32	Slinger, Barrier	65720260	3
33	Stud, Plunger Retainer	65720265	3
34	Washer, Keyhole	65720270	3
35	Plunger	65730285	3
36	Backup Ring, Plunger Retainer	65720290	3

Item	Description	Part No.	Qty.
37*	O-Ring, Plunger Retainer	65720295	3
38	Gasket, Plunger Retainer	65720300	3
39	Retainer, Plunger	65720305	3
40	Retainer, Seal	65720310	3
41*	Seal, LPS, w/SS-Spg	65730325	3
42	Washer, LPS	65730330	3
43	Manifold Inlet, Block-Style	65720335	1
44	Screw, HSM	65720490	8
45	Plug, Inlet Manifold	65720345	1
46*	O-Ring, Spacer	65720350	6
47	Plug, (1/4" NPT)	65720355	3
48*	Back-up Ring, Spacer	65720360	6
49	Spacer, Inlet	65720365	3
50	Adapter, Female	65730380	3
51*	V-Packing	65730385	6
52	Adapter, Male	65730390	3
53*	O-Ring, Spacer, Inner	65730395	3
54	Backup Ring, Spacer, Inner	65730400	3
55*	Spacer, V-Packing	65730405	3
56*	Back-up-Ring, Spacer, Outer	65720410	3
57*	O-Ring, Spacer, Outer	65720415	3
58	Screw, HSH	65720420	36
59	Plug, Valve	65730425	6
60**	Back-up-Ring, Valve Plug	65730430	6
61**	O-Ring, Valve Plug	65730435	6
62	Spring, Coil	65730440	6
63**	Washer, Retainer	65730445	6
64**	Retainer, Spring	65730450	6
65**	Spring	65730455	6
66**	Valve	65730460	6
67**	Seat	65730465	6
68**	O-Ring, Seat	65730470	6
69	Pin, Guide	65720475	2
70**	Back-up-Ring, Seat	65720480	6
71	Manifold, Discharge, Block-Style	65720485	1
72	Screw, HSH, Upper	65720490	8
73	Screw, HSH, Lower	65720495	6

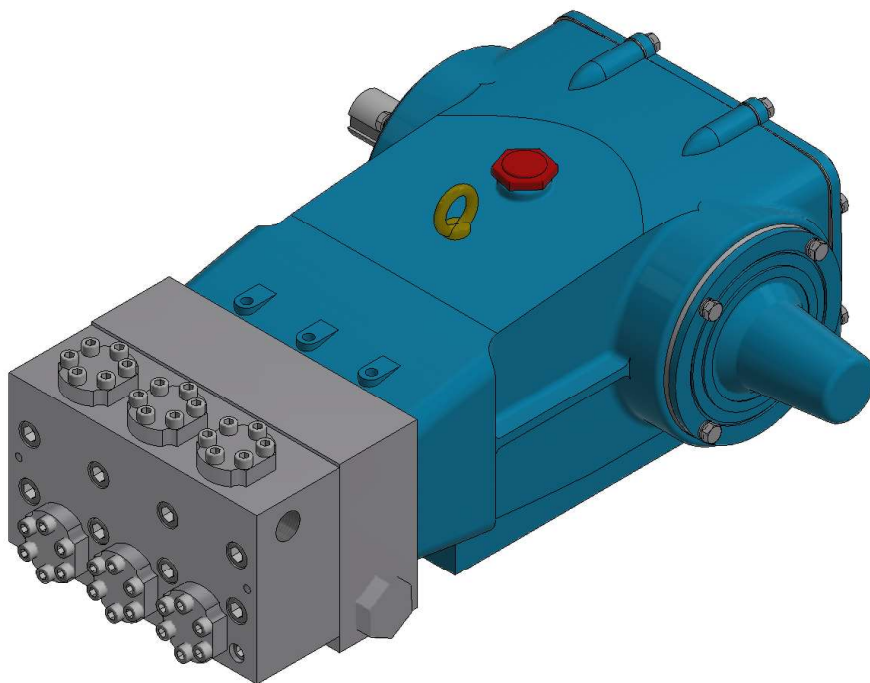
*Included with Seal Kit

**Included with Valve Kit

TRIPLEX PUMP

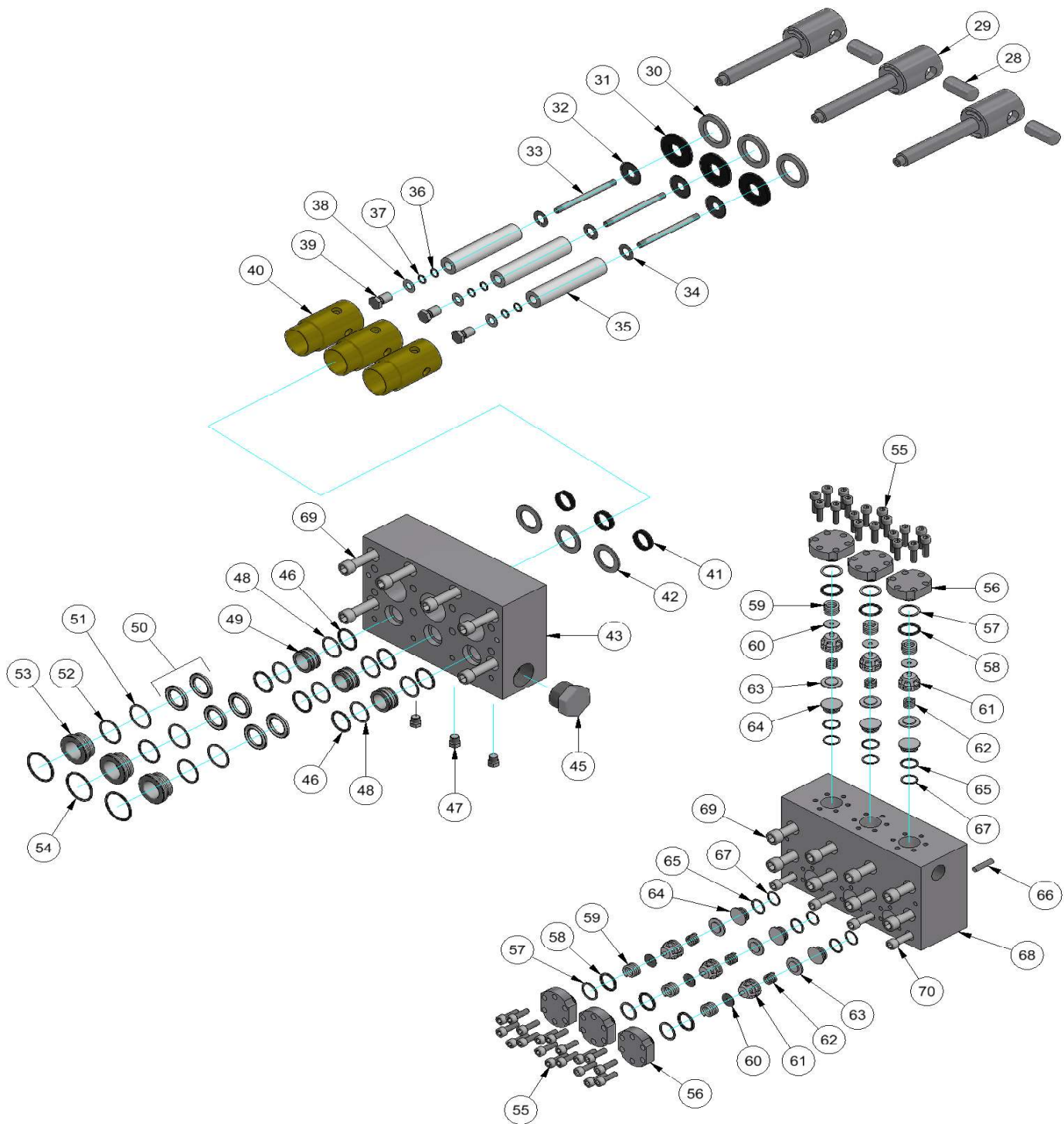
C85 SERIES - 6835

355 lbs



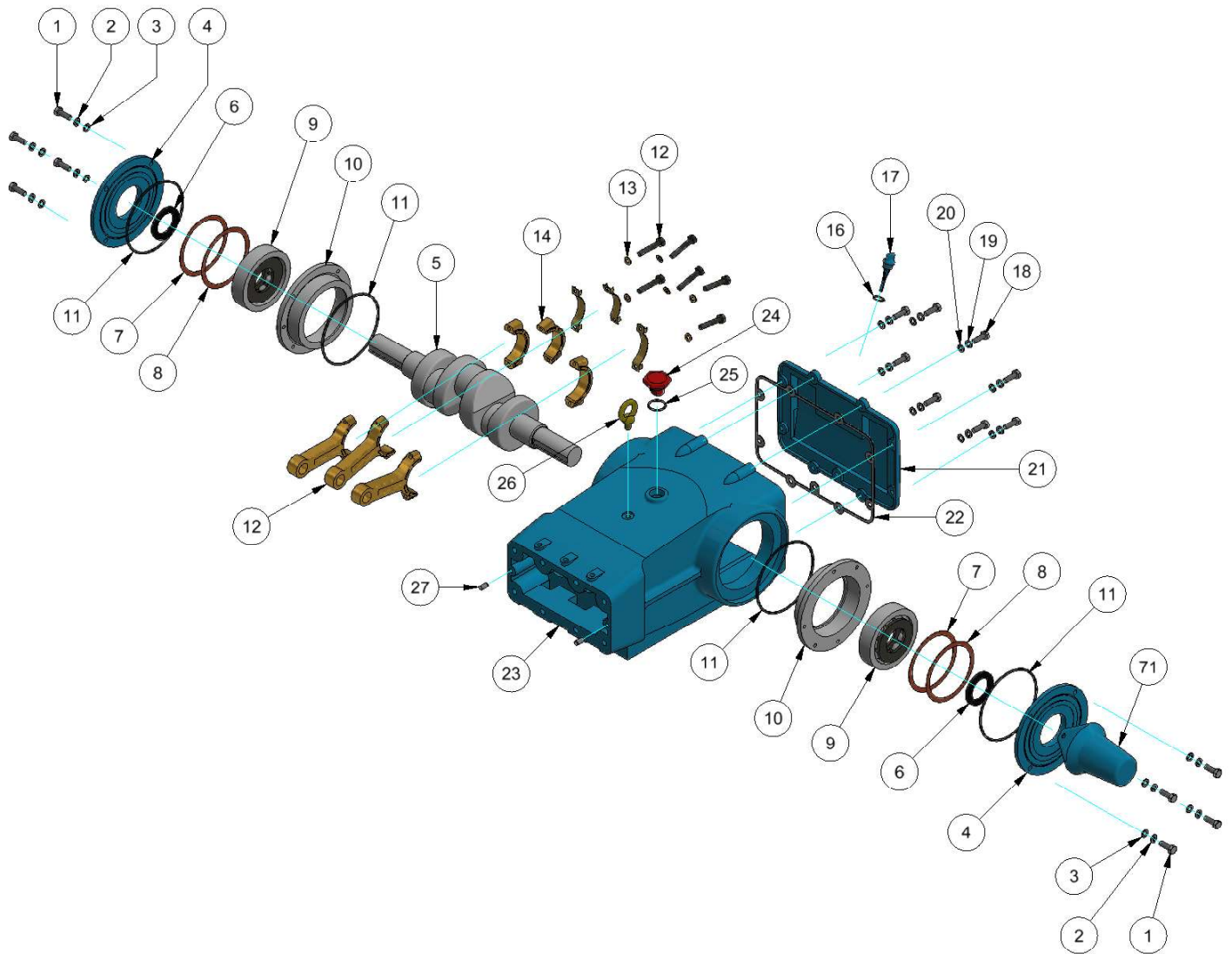
TRIPLEX PUMP

C85 SERIES - 6835



TRIPLEX PUMP

C85 SERIES - 6835



TRIPLEX PUMP

C85 SERIES - 6835

Item	Description	Part No.	Qty.
+	Complete Pump Assembly	65750100	1

Item	Description	Part No.	Qty.
Kit	Seal Kit	65750998	1
Kit	Valve Kit	65750999	2
1	Screw	65720105	8
2	Lockwasher	65720110	8
3	Washer, Flat	65720115	8
4	Cover, Bearing-Outer	65720120	2
5	O-Ring, Bearing Cover	65720155	2
6	Seal, Oil, Crankshaft	65720130	2
7	Washer, Shim (M120x0.3)	65720135	0-2
8	Washer, Shim (M120x0.5)	65720140	0-2
9	Bearing, Roller	65720145	2
10	Cover, Bearing-Inner	65720150	2
11	O-Ring, Bearing Cover	65720155	2
12	Assembly, Connecting Rod	65720160	3
13	Washer, Shim	65720165	3
14	Washer, Locking	65720170	3
15	Crankshaft, Dual Shaft	65720175	1
16	O-Ring, Dipstick	65720180	1
17	Stick, Dip	65720185	1
18	Screw, HH	65720190	8
19	Lockwasher	65720195	8
20	Washer, Flat	65720200	8
21	Cover, Rear	65720205	1
22	Gasket, Rear Cover	65720210	1
23	Crankcase, W/Guide Pins	65720215	1
24	Cap, Oil Filler	65720220	1
25	O-Ring, Filler Cap	65720225	1
26	Bolt, Eye	65720230	1
27	Pin, Guide	65720235	2
28	Pin, Crosshead	65720240	3
29	Crosshead	65720245	3
30	Washer, Oil Seal	65720250	3
31	Seal, Oil, Crankcase	65720255	3
32	Slinger, Barrier	65720260	3
33	Stud, Plunger Retainer	65720265	3
34	Washer, Keyhole	65720270	3
35	Plunger	65730285	3
36	Backup Ring, Plunger Retainer	65720290	3
37*	O-Ring, Plunger Retainer	65720295	3
38	Gasket, Plunger Retainer	65720300	3

Item	Description	Part No.	Qty.
39	Retainer, Plunger	65720305	3
40	Retainer, Seal	65720310	3
41*	Seal, LPS, w/SS-Spg	65730325	3
42	Washer, LPS	65730330	3
43	Manifold Inlet, Block-Style	65720335	1
44	Screw, HSM	65720490	8
45	Plug, Inlet Manifold	65720345	1
46*	O-Ring, Spacer	65720350	6
47	Plug, (1/4" NPT)	65720355	3
48*	Back-up Ring, Spacer	65720360	6
49	Spacer, Inlet	65720365	3
50*	V-Packing	65750115	6
51*	O-Ring, Spacer, Inner	65750120	3
52	Backup Ring, Spacer, Inner	65750125	3
53*	Spacer, V-Packing	65750130	3
54*	O-Ring, Spacer, Outer	65750120	3
55	Screw, HSH	65720420	36
56	Plug, Valve	65750135	6
57**	Back-up-Ring, Valve Plug	65750140	6
58**	O-Ring, Valve Plug	65750145	6
59	Spring, Coil	65750150	6
60**	Washer, Retainer	65750155	6
61**	Retainer, Spring	65750160	6
62**	Spring	65750165	6
63**	Valve	65750170	6
64**	Seat	65750175	6
65**	O-Ring, Seat	65750180	6
66	Pin, Guide	65720475	2
67**	Back-up-Ring, Seat	65750185	6
68	Manifold, Discharge, Block-Style	65750190	1
69	Screw, HSH, Upper	65720490	6
70	Screw, HSH, Lower	65720495	4
71	Shaft, Protector	65720500	1

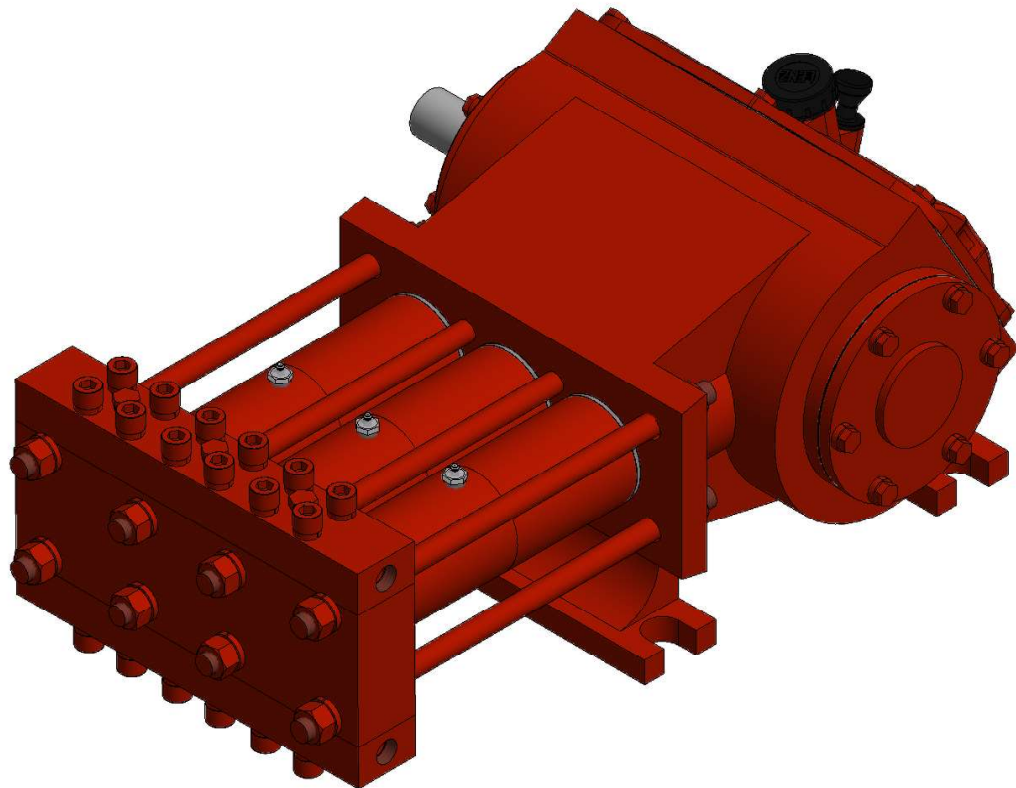
*Included with Seal Kit

**Included with Valve Kit

TRIPLEX PUMP

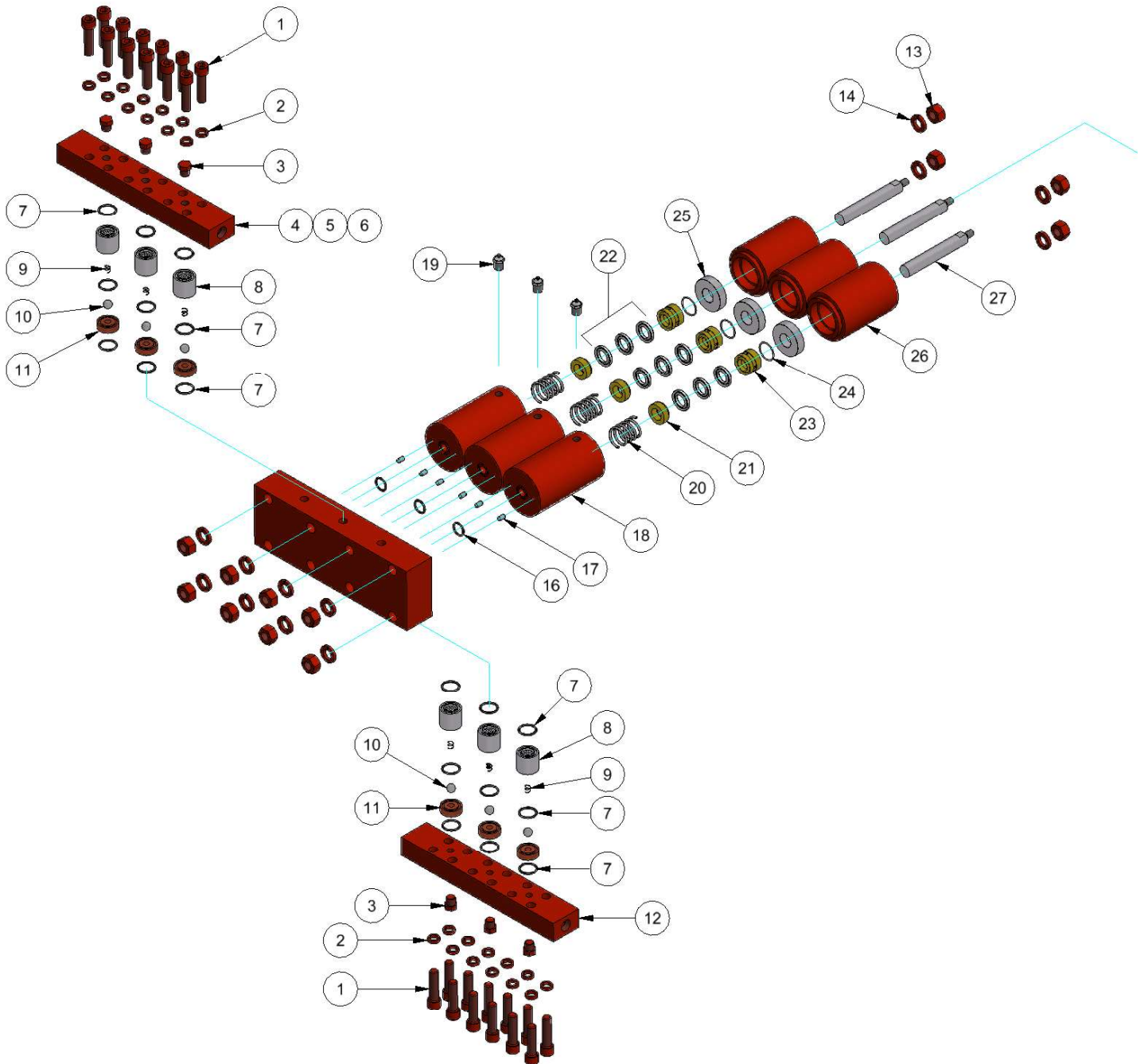
HYDROPLEX 350

220 lbs



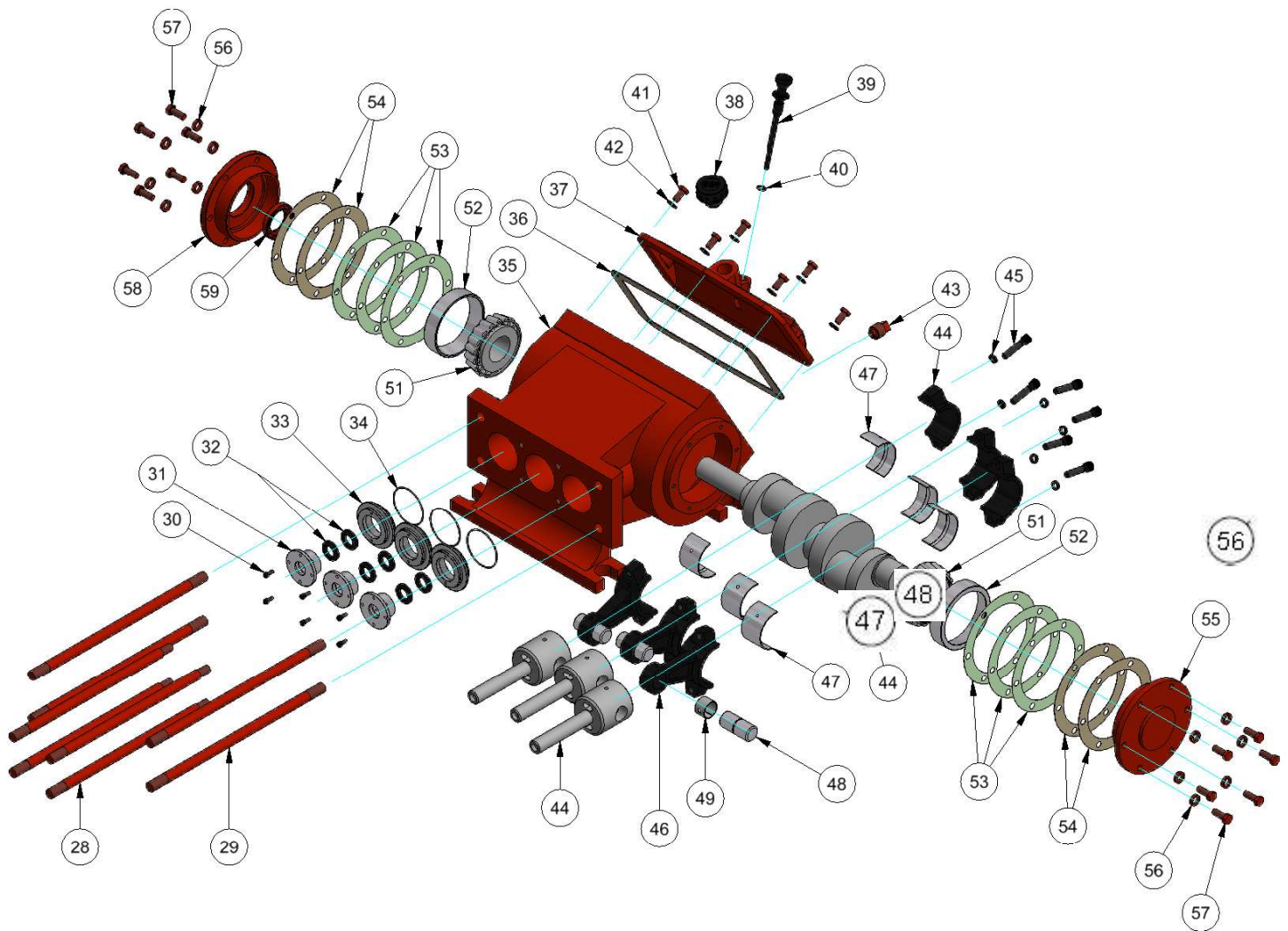
TRIPLEX PUMP

HYDROPLEX 350



TRIPLEX PUMP

HYDROPLEX 350



TRIPLEX PUMP

HYDROPLEX 350
3/4" & 5/8" Plungers

DESCRIPTION	3/4" Plunger (9/16" MP Discharge)	5/8" Plunger (9/16" MP Discharge)	Qty.
+ Complete Pump Assembly	65635101	65620100	

ITEM	DESCRIPTION	3/4" Plunger	5/8" Plunger	Qty.
Kit	Fluid End Repair Kit	65635999	65620999	1
1	Manifold Socket Head Screws	65635105	65635105	24
2	Manifold Lock Washers	65635106	65635106	24
3	Manifold Plugs	N/A	N/A	N/A
4	Discharge Manifold 9/16 HP	N/A	N/A	N/A
5	Discharge Manifold 9/16 MP	65635107	65635107	1
6	Discharge Manifold 1/2" NPT	N/A	65636200	1
7	Check Valve Cartridge O-Ring	65635111	65635111	18
8	Check Valve Cage	65635108	65635108	6
9	Check Valve Spring	65635115	65635115	6
10	Check Valve Ball	65635110	65635110	6
11	Check Valve Seat	65635109	65635109	6
12	Suction Intake Manifold 1/2" NPT	65636200	65636200	1
13	Rod Nuts	65636190	65636190	12
14	Rod Lock Washers	65636195	65636195	12
15	Fluid End Block	65635112	65635112	1
16	Packing Barrel O-Ring	65635116	65635116	3
17	Manifold Align Pins	65636240	65636240	6
18	Packing Barrel	65636215	65636220	3
19	Grease/Fitting	65636300	65636300	3
20	Packing Spring	65636115	65636116	3
21	Male Adapter	65635120	65635121	3
22	Packing	65635125	65635126	9
23	Female Adapter	65635130	65635131	3
24	Wiper Ring	65631138	65630111	1
25	Rear Barrel Insert	65636110	65636111	3
26	Rear Barrel	65636185	65636185	3
27	Plunger	65636105	65636106	3
28	Center Stud	65636210	65636210	4
29	Outer Stud	65636205	65636205	4
30	Oil Seal Housing Screw	65635150	65635150	6

ITEM	DESCRIPTION	3/4" Plunger	5/8" Plunger	Qty.
31	Oil Seal Housing	65635140	65635140	3
32	Packing Barrel O-Ring	65635116	65635116	3
33	Oil Seal Housing Retainer	65635145	65635145	3
34	Oil Seal Housing O-Ring	65635151	65635151	3
35	Crankcase	65635152	65635152	1
36	Crankcase Lid Gasket	65635155	65635155	1
37	Crankcase Lid	65635162	65635162	1
38	Vent/Fill Cap	65635160	65635160	1
39	Oil Gauge w/O-Ring	65635163	65635163	1
40	O-Ring, Oil Gauge	65635164	65635164	1
41	Crankcase Lid Cap Screw	65635157	65635157	6
42	Wrist Pin, Crosshead to Link	65636125	65636125	3
43	Drain Plug	65636145	65636145	1
44	Crankshaft	65635165	65635165	1
45	Cap Screw w/washer, Link	65636150	65636150	6
46	Link Arm & Cap	65636120	65636120	3
47	Bushing, 2 Half Link to Crankshaft	65635195	65635195	3
48	Wrist Pin, Crosshead to Link	65636125	65636125	3
49	Bushing, Link & Wrist Pin	65636135	65636135	3
50	Crosshead & Pony Rod Assy.	65636140	65636140	3
51	Crankcase Roller Bearing Cone	65635170	65635170	2
52	Crankcase Roller Bearing Cup	65635175	65635175	2
53	Bearing Cap Gasket (Green)	65635180	65635180	6
54	Bearing Cap Gasket (Pink)	65635185	65635185	4
55	Cap, Bearing, Closed	65636165	65636165	1
56	Lockwasher	65636180	65636180	12
57	Cap Screw	65636170	65636170	12
58	Cap, Bearing, Open	65636175	65636175	1
59	Crankshaft Oil Seal	65635190	65635190	1

TRIPLEX PUMP

HYDROPLEX 350

1/2" PLUNGERS

ITEM	DESCRIPTION	1/2" Plunger (9/16" MP)	1/2" Plunger (9/16" HP)	Qty.
+	Complete Pump Assembly	65632100	65632101	1

ITEM	DESCRIPTION	1/2" Plunger	1/2" Plunger	Qty.
Kit	Fluid End Repair Kit	65632999	65632999	1
1	9/16 Manifold Socket Head Screws	65635105	65635105	24
2	Manifold Lock Washers	65635106	65635106	24
3	Manifold Plugs	N/A	N/A	3
4	Discharge Manifold 9/16 HP	N/A	65635103	1
5	Discharge Manifold 9/16 MP	65635107	N/A	1
6	Discharge Manifold 1/2" NPT	N/A	N/A	N/A
7	Check Valve Cartridge O-Ring	65635111	65635111	18
8	Check Valve Cage	65635108	65635108	6
9	Check Valve Spring	65635115	65635115	6
10	Check Valve Ball	65635110	65635110	6
11	Check Valve Seat	65635109	65635109	6
12	Suction Intake Manifold 1/2" NPT	65636200	65636200	1
13	Rod Nuts	65636190	65636190	12
14	Rod Lock Washers	65636195	65636195	12
15	Fluid End Block	65635112	65635112	1
16	Packing Barrel O-Ring	65635116	65635116	3
17	Manifold Align Pins	65636240	65636240	6
18	Packing Barrel	65636225	65636225	3
19	Grease Inserts	65631215	65631215	3
20	Packing Spring	65636117	65636117	3
21	Male Adapter	65635122	65635122	3
22	Packing	65635127	65635127	9
23	Female Adapter	65635119	65635119	3
24	Wiper Ring	65635118	65635118	3
25	Rear Barrel Insert	65636112	65636112	3
26	Rear Barrel	65636185	65636185	3
27	Plunger	65636107	65636107	3
28	Center Stud	65636210	65636210	4
29	Outer Stud	65636205	65636205	4
30	Oil Seal Housing Screw	65635150	65635150	6

ITEM	DESCRIPTION	1/2" Plunger	1/2" Plunger	Qty.
31	Oil Seal Housing	65635140	65635140	3
32	Pony Rod Oil Seal	65635135	65635135	6
33	Oil Seal Housing Retainer	65635145	65635145	3
34	Oil Seal Housing O-Ring	65635151	65635151	3
35	Crankcase	65635152	65635152	1
36	Crankcase Lid Gasket	65635155	65635155	1
37	Crankcase Lid	65635162	65635162	1
38	Vent/Fill Cap	65635160	65635160	1
39	Oil Gauge w/O-Ring	65635163	65635163	1
40	O-Ring, Oil Gauge	65635164	65635164	1
41	Crankcase Lid Cap Screw	65635157	65635157	6
42	Lockwasher	65635200	65635200	6
43	Drain Plug	65636145	65636145	1
44	Crankshaft	65635165	65635165	1
45	Cap Screw w/washer, Link	65636150	65636150	6
46	Link Arm & Cap	65636120	65636120	3
47	Bushing, 2 Half Link to Crankshaft	65635195	65635195	3
48	Wrist Pin, Crosshead to Link	65636125	65636125	3
49	Bushing, Link & Wrist Pin	65636135	65636135	3
50	Crosshead & Pony Rod Assy.	65636140	65636140	3
51	Crankcase Roller Bearing Cone	65635170	65635170	2
52	Crankcase Roller Bearing Cup	65635175	65635175	2
53	Bearing Cap Gasket (Green)	65635180	65635180	6
54	Bearing Cap Gasket (Pink)	65635185	65635185	4
55	Cap, Bearing, Closed	65636165	65636165	1
56	Lockwasher	65636180	65636180	12
57	Cap Screw	65636170	65636170	12
58	Cap, Bearing, Open	65636175	65636175	1
59	Crankshaft Oil Seal	65635190	65635190	1

TRIPLEX PUMP

HYDROPLEX 350
3/8" Plungers

ITEM	DESCRIPTION	3/8" Plunger (9/16" HP)	Qty.
+	Complete Pump Assembly	65633101	1

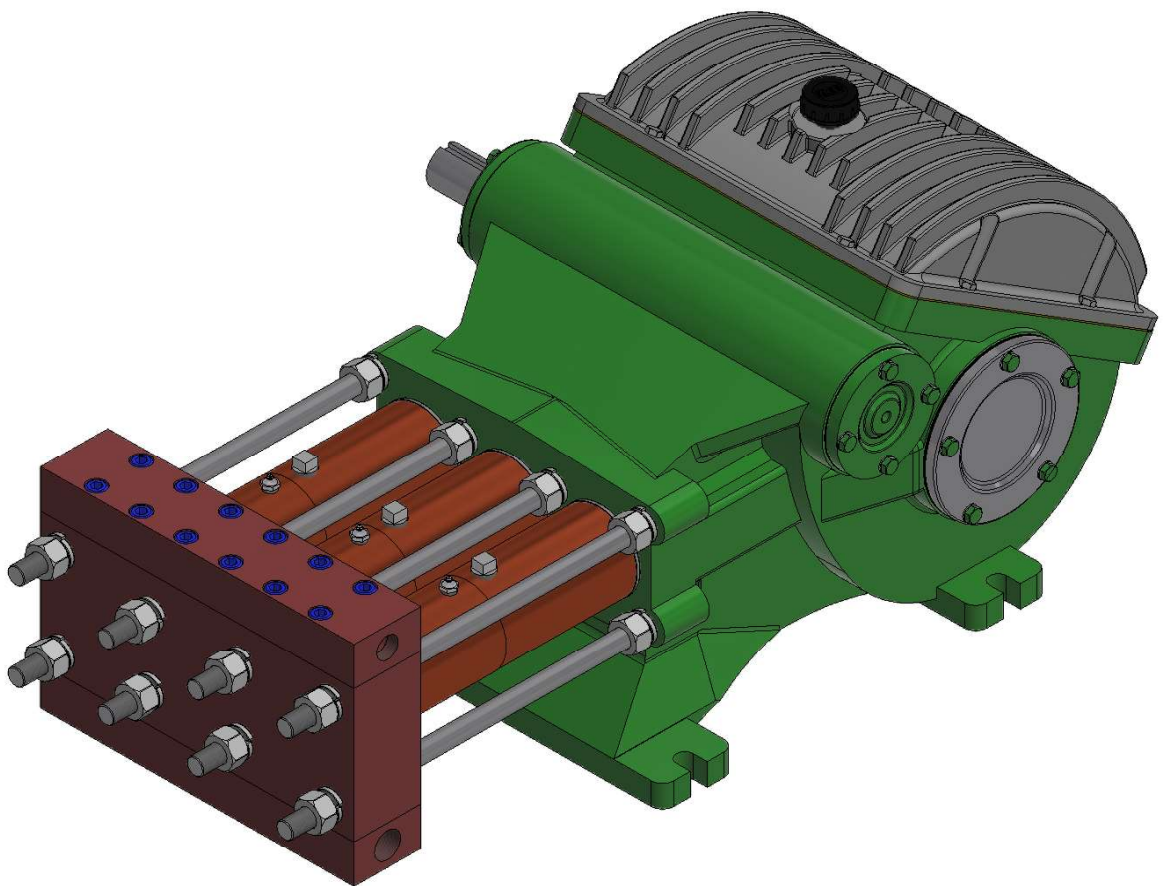
ITEM	DESCRIPTION	3/8" Plunger	Qty.
Kit	Fluid End Repair Kit	65633999	1
1	9/16 Manifold Socket Head Screws	65635102	24
2	Manifold Lock Washers	65635106	24
3	Manifold Plugs	N/A	N/A
4	Discharge Manifold 9/16 HP	65635103	1
5	Discharge Manifold 9/16 MP	N/A	1
6	Discharge Manifold 1/2" NPT	N/A	1
7	Check Valve Cartridge O-Ring	65635111	18
8	Check Valve Cage	65635108	6
9	Check Valve Spring	65635115	6
10	Check Valve Ball	65635110	6
11	Check Valve Seat	65635109	6
12	Suction Intake Manifold 1/2" NPT	65636200	1
13	Rod Nuts	65636190	12
14	Rod Lock Washers	65636195	12
15	Fluid End Block	65635112	1
16	Packing Barrel O-Ring	65635116	3
17	Manifold Align Pins	65636240	6
18	Packing Barrel	65636235	3
19	Grease Inserts	65636300	3
20	Packing Spring	65636119	3
21	Male Adapter	65635124	3
22	Packing	65635129	9
23	Female Adapter	65635136	3
24	Wiper Ring	65635137	1
25	Rear Barrel Insert	65636114	3
26	Rear Barrel	65636185	3
27	Plunger	65636109	3
28	Center Stud	65636210	4
29	Outer Stud	65636205	4
30	Oil Seal Housing Screw	65635150	6

ITEM	DESCRIPTION	3/8" Plunger	Qty.
31	Oil Seal Housing	65635140	3
32	Packing Barrel O-Ring	65635135	6
33	Oil Seal Housing Retainer	65635145	3
34	Oil Seal Housing O-Ring	65635151	3
35	Crankcase	65635152	1
36	Crankcase Lid Gasket	65635155	1
37	Crankcase Lid	65635162	1
38	Vent/Fill Cap	65635160	1
39	Oil Gauge w/O-Ring	65635163	1
40	O-Ring, Oil Gauge	65635164	1
41	Crankcase Lid Cap Screw	65635157	6
42	Wrist Pin, Crosshead to Link	65636125	3
43	Drain Plug	65636145	1
44	Crankshaft	65635165	1
45	Cap Screw w/washer, Link	65636150	6
46	Link Arm & Cap	65636120	3
47	Bushing, 2 Half Link to Crankshaft	65635195	3
48	Wrist Pin, Crosshead to Link	65636125	3
49	Bushing, Link & Wrist Pin	65636135	3
50	Crosshead & Pony Rod Assy.	65636140	3
51	Crankcase Roller Bearing Cone	65635170	2
52	Crankcase Roller Bearing Cup	65635175	2
53	Bearing Cap Gasket (Green)	65635180	6
54	Bearing Cap Gasket (Pink)	65635185	4
55	Cap, Bearing, Closed	65636165	1
56	Lockwasher	65636180	12
57	Cap Screw	65636170	12
58	Cap, Bearing, Open	65636175	1
59	Crankshaft Oil Seal	65635190	1

TRIPLEX PUMP

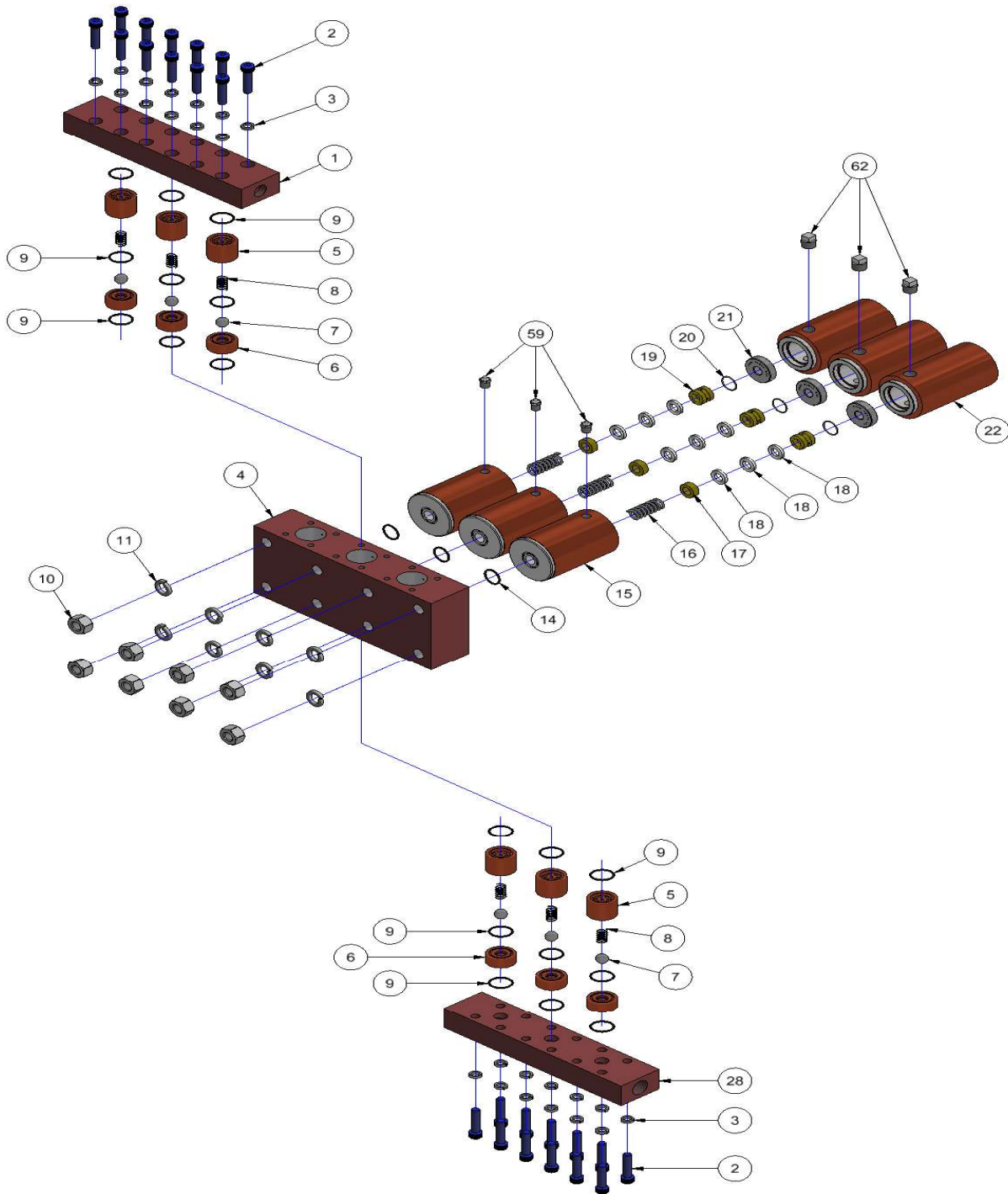
HYDROPLEX 550

550 lbs



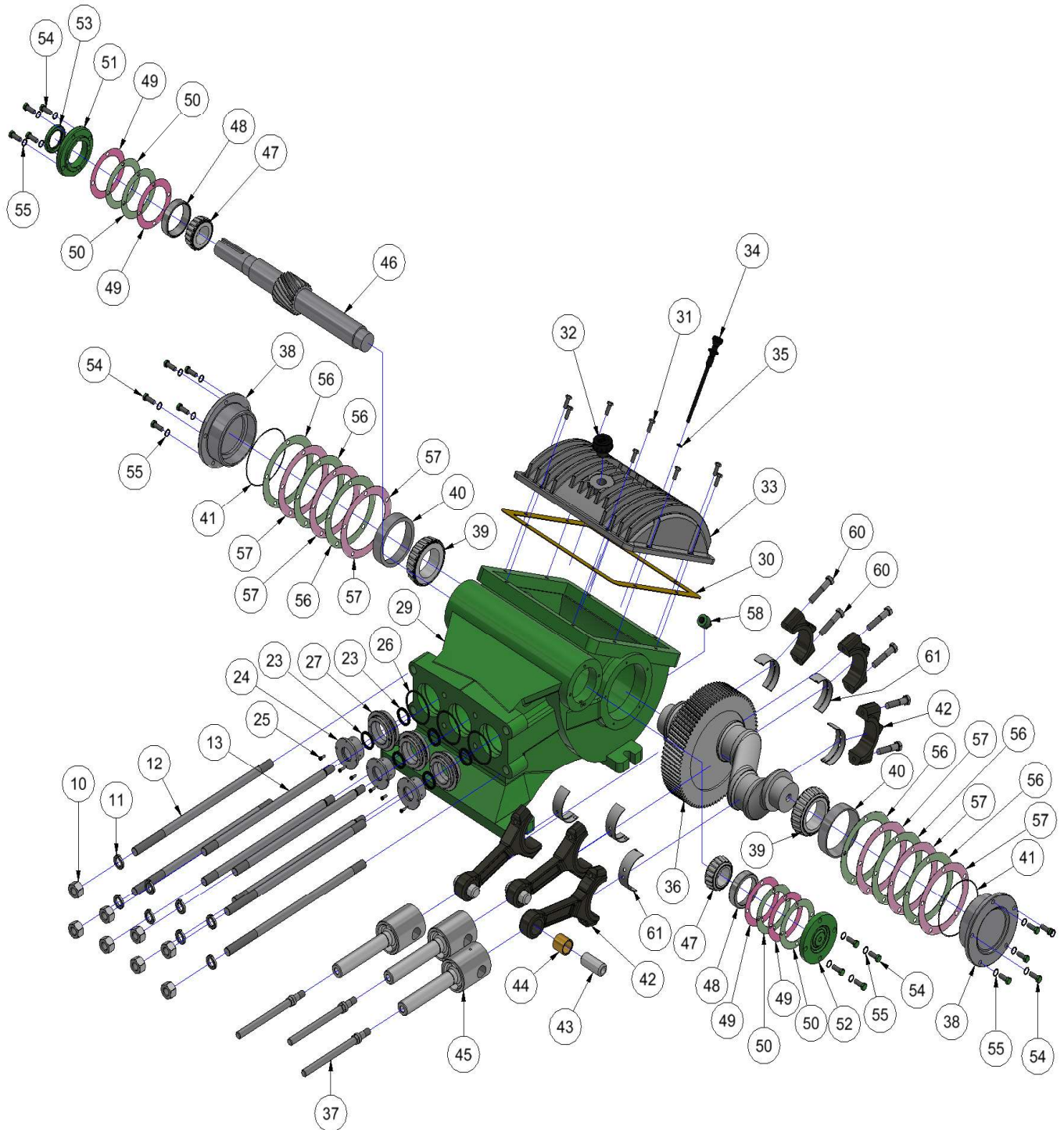
TRIPLEX PUMP

HYDROPLEX 550



TRIPLEX PUMP

HYDROPLEX 550



TRIPLEX PUMP

HYDROPLEX 550

Item	Description	Part No.	Qty.
+	Pump Assembly, Complete, HP-550, 5/8"	65630204	1
+	Power End, Complete, HP-550	65630100	1
Item	Description	Part No.	Qty.
Kit	Fluid End Repair Kit, 5/8"	65630999	
1	Discharge Manifold, 3/4" AEMP	65630211	1
2	SHCS, Manifold	65635105	24
3	Lockwasher	65635106	24
4	Block, Fluid End	65631100	1
5	Cage, Valve, Check	65631115	6
6*	Seat, Valve, Check	65631125	6
7*	Ball, Valve, Check	65631130	6
8*	Spring, Valve, Check	65631120	6
9*	O-Ring, Cartridge, Valve, Check	65631135	18
10	Nut, Rod	65631160	12
11	Lockwasher, Rod	65631165	12
12	Stud, Outer	65631170	4
13	Stud, Inner	65631175	4
14*	O-Ring, Barrel, Packing	65630103	3
15	Barrel, Packing	65631136	3
16*	Spring, Packing	65636116	3
17	Adapter, Male	65635121	3
18*	Packing	65635126	9
19	Adapter, Female	65631137	3
20*	Pump, HP-550 Wiper Ring F/Adapter)	65630111	3
21	Insert, 5/8", Barrel, Rear	65636111	3
22	Barrel, Lubrication	65630112	3
23	Seal, Oil, Rod, Pony	65630101	6
24	Housing, Seal, Oil	65631112	3
25	Screw, Cap, Housing, Seal, Oil	65631114	6
26	O-Ring, Housing, Seal, Oil	65630102	3
27	Retainer, Housing, Seal, Oil	65631113	3
28	Manifold, Intake, NPT, Female, 1"	65631225	1
29	Case, Gear	65630090	1
30	Gasket, Lid, Case, Gear	65630107	1
31	Screw, Cap, Lid, Case, Gear	65631180	8
32	Filter, Plug, Vent & Oil	65635160	1
33	Lid, Case, Gear	65631185	1
34	Gauge w/O-Ring, Oil	65630106	1
35	O-Ring, Gauge, Oil	65630045	1
36	Crankshaft w/Helical Gear	65630019	1
37*	Plunger	65631155	3
38	Cap, Bearing, Crankshaft	65631190	2

Item	Description	Part No.	Qty.
39	Cone, Bearing, Crankshaft	65630025	2
40	Cup, Bearing, Crankshaft	65630020	2
41	Pump, O-Ring, Bearing Cap	65630030	2
42	Link	65631195	3
43**	Pin, Wrist, (Crosshead to Link)	65630115	3
44**	Bushing, Link	65630114	3
45	Assembly, Crosshead	65630113	3
46	Shaft, Pinion (with Helical Pinion)	65630005	1
47	Cone, Bearing, Shaft, Pinion	65630108	2
48	Cup, Bearing, Shaft, Pinion	65630109	2
49	Shim, 0.003 Thick, Shaft, Pinion	65630010	4
50	Shim, 0.015" Thick, Shaft, Pinion	65630015	4
51	Cap, Open, Shaft, Pinion	65631200	1
52	Cap, Closed, Shaft, Pinion	65631205	1
53	Seal, Oil, Cap, Open, Shaft, Pinion	65630110	1
54	Screw, Cap, Bearing	65630016	18
55	Washer, Seal, Screw, Cap	65630017	18
56	Gasket, Shim (.003")	65630035	6
57	Gasket, Shim (.015")	65630040	6
58	Plug, Drain, Oil, Magnetic (Not Shown)	65631210	1
59	Grease, Zerk	65631215	3
60	Screw, Cap, Link	65631220	6
61	Bearing, Half Sets (2) for Link	65630050	3
62	Plug, SS, High Pressure, 1/4" High Press	65631218	3

*Included in Fluid End Repair Kit

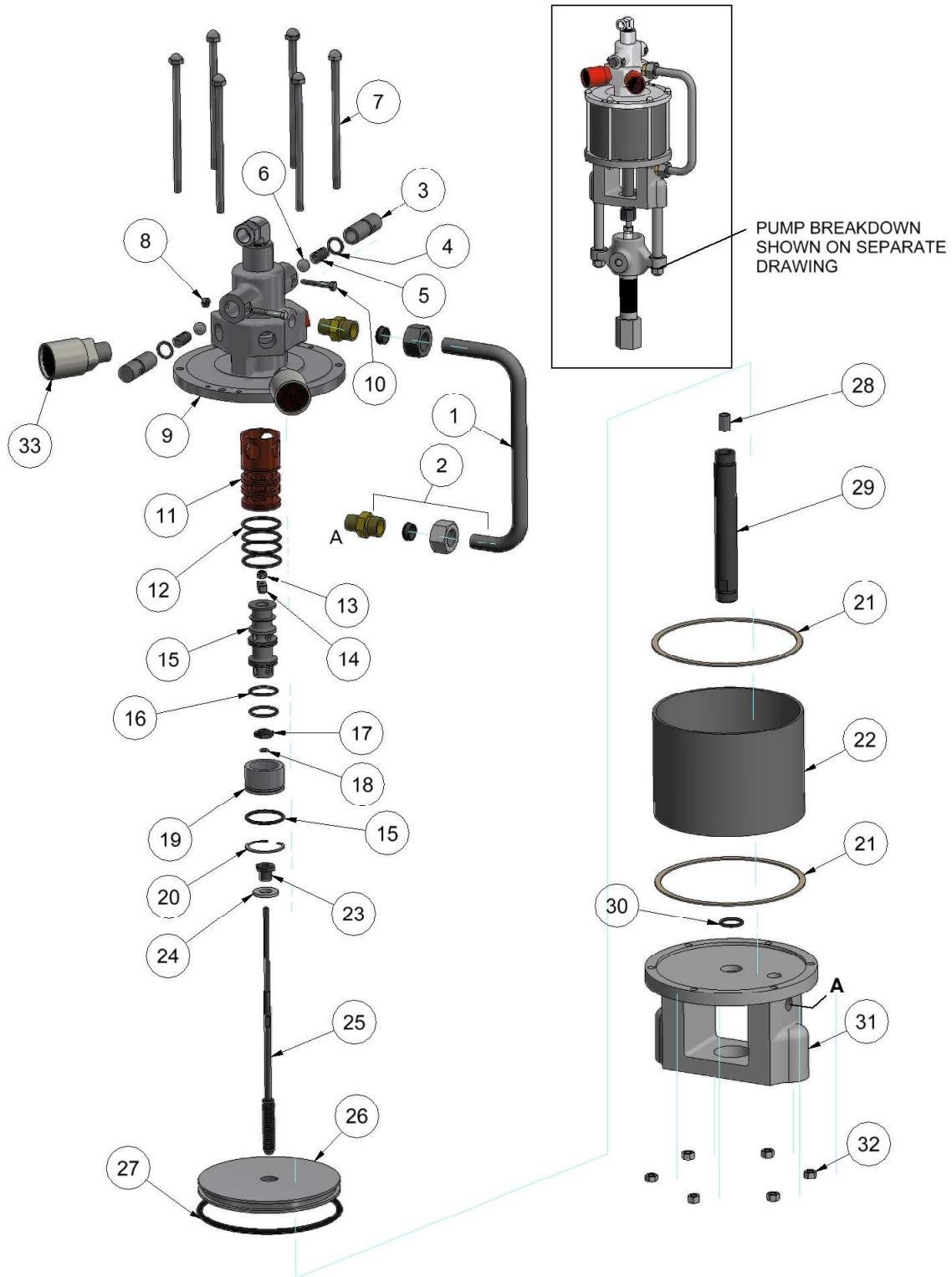
**Sold with Item 45 only



PNEUMATIC
OPERATED
PUMPS

PNEUMATIC OPERATED PUMP

7 3/8" DIA. AIR MOTOR



PNEUMATIC OPERATED PUMP

7 3/8" DIA. AIR MOTOR

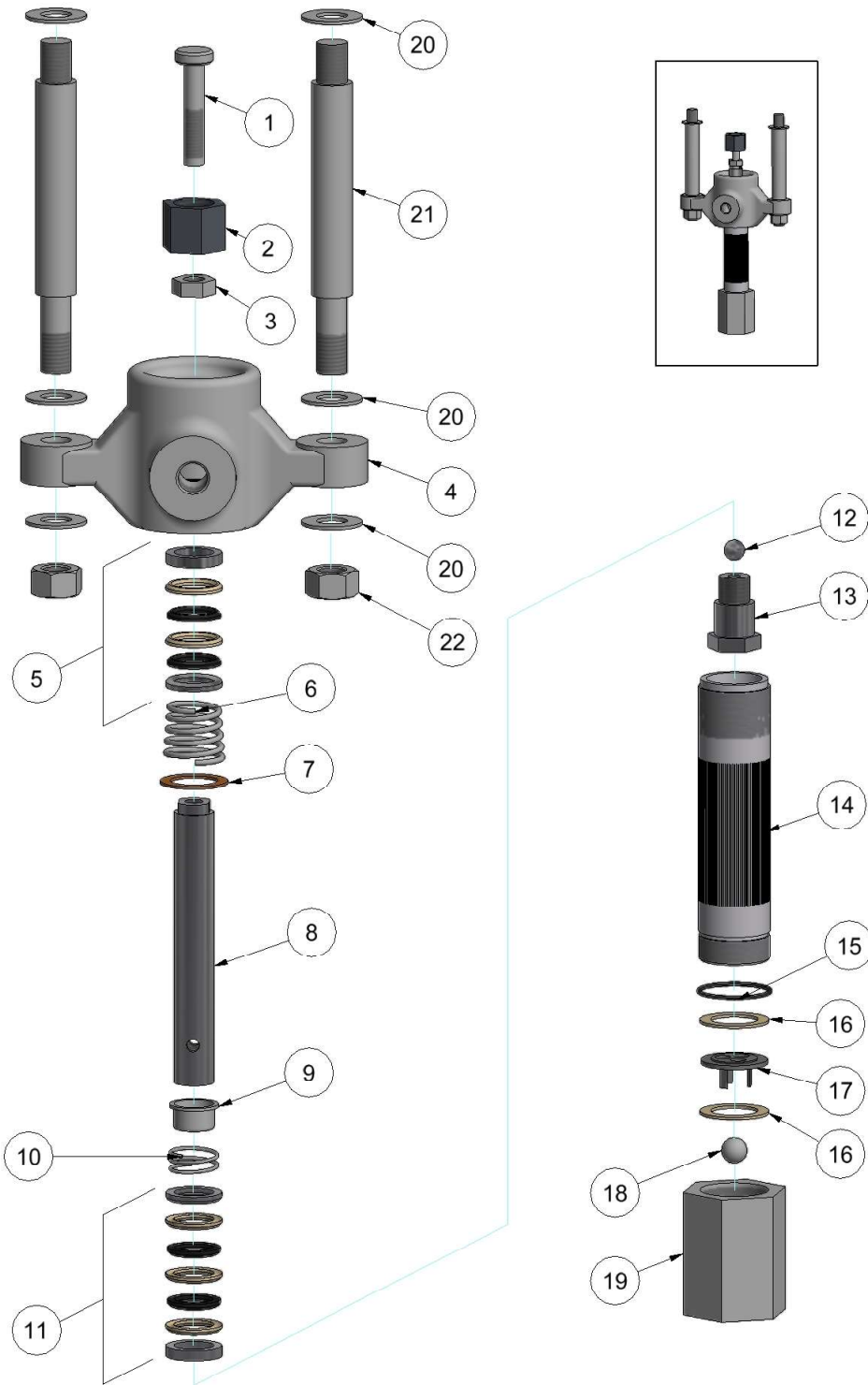
Item	Description	Part No.	Ratio
+	Motor & Pump, Complete	15500100	60:1
+	Motor Only, Complete	15500101	60:1

Item	Description	Part No.	Qty
Kit	Repair Kit, Air Motor Only 60:1	15500397	1
Kit	Repair Kit, Complete Pump & Motor 60:1	15500399	1
1	Air Line	15500105	1
2	Adapter, Air Line	15500110	2
3	Trip Spring Retainer	15500115	2
4*	O-Ring	15500116	2
5*	Trip Spring	15500120	2
6*	Ball	15500125	2
7	Bolt	15500128	6
8	Nut	15500111	2
9	Cylinder Head	15500126	1
10	Bolt	15500127	2
11*	Valve Sleeve	15500140	1
12*	O-Ring	15500145	5
13*	Stop Nut	15500150	1
14*	Upper Valve Keeper	15500160	1
15*	Air Valve	15500165	1
16*	O-Ring	15500170	2
17*	Lower Valve Keeper	15500175	1
18*	O-Ring	15500185	1
19	Bushing	15500190	1
20*	Retainer Ring	15500195	1
21*	Gasket	15500200	2
22*	Cylinder	15500205	1
23	Piston Nut	15500215	1
24	Piston Nut Washer	15500220	1
25*	Valve Rod Assembly	15500210	1
26	Piston	15500225	1
27*	O-Ring	15500231	1
28*	Valve Trip Collar	15500230	1
29	Piston Rod	15500235	1
30*	O-Ring	15500232	1
31	Motor Base	15500236	1
32	Nut	15500129	6
33	Muffler (Optional)	15600126	2

* Included in Air Motor Repair Kit

PNEUMATIC OPERATED PUMP

60:1 RATIO, FLUID END FOR 7 3/8" AIR MOTOR



PNEUMATIC OPERATED PUMP

60:1 RATIO, FLUID END FOR 7 3/8" AIR MOTOR

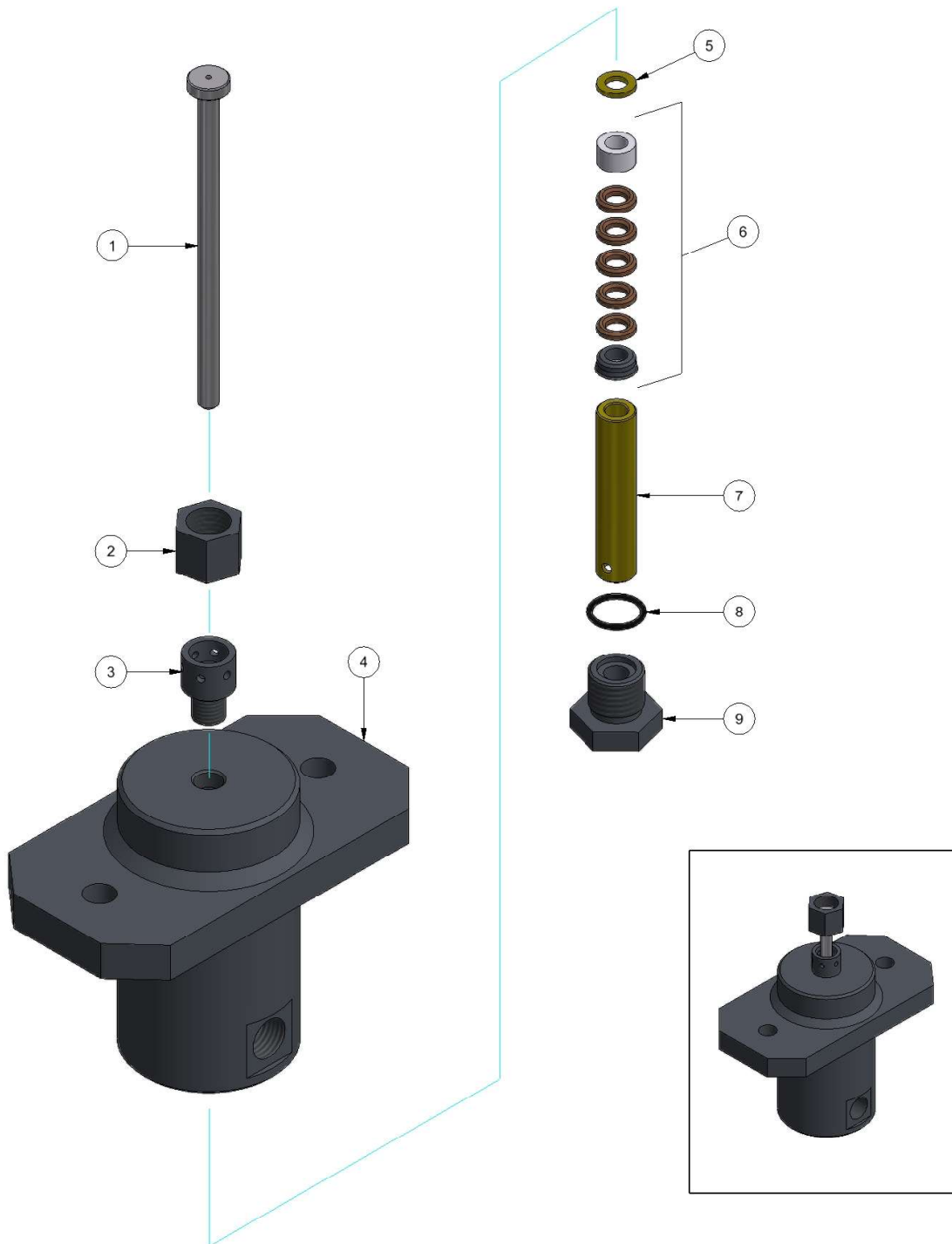
Item	Description	Part No.	Ratio
+	Motor & Pump, Complete	15500100	60:1
+	Fluid End Only, Complete	15500102	60:1

Item	Description	Part No.	Qty
Kit	Repair Kit, Fluid End Only! 60:1	15500398	1
Kit	Repair Kit, Complete Pump & Motor 60:1	15500399	1
1	Connecting Rod	15500240	1
2	Coupling Nut	15500245	1
3	Jam Nut	15500250	1
4	Pump Block	15500276	1
5**	Packing Set, Upper	15500265	1
6**	Upper Packing Spring	15500261	1
7**	Gasket	15500281	1
8	Plunger Rod	15500255	1
9**	Spring Retainer	15500260	1
10**	Lower Packing Spring	15500280	1
11**	Packing Set, Lower	15500277	1
12**	Piston Ball	15500270	1
13	Piston Seat	15500275	1
14	Pump Tube	15500290	1
15**	O-Ring	15500291	1
16**	Gasket	15500295	2
17	Ball Stop	15500300	1
18**	Foot Valve Ball	15500305	1
19	Foot Valve	15500310	1
20	Stanchion Washer	15500315	6
21	Stanchion	15500320	2
22	Stanchion Nut	15500325	2

** Included in Fluid End Repair Kit

PNEUMATIC OPERATED PUMP

HIGH PRESSURE FLUID END FOR 7 3/8" & 8 1/2"



PNEUMATIC OPERATED PUMP

HIGH PRESSURE FLUID END FOR 7 3/8" & 8 1/2"

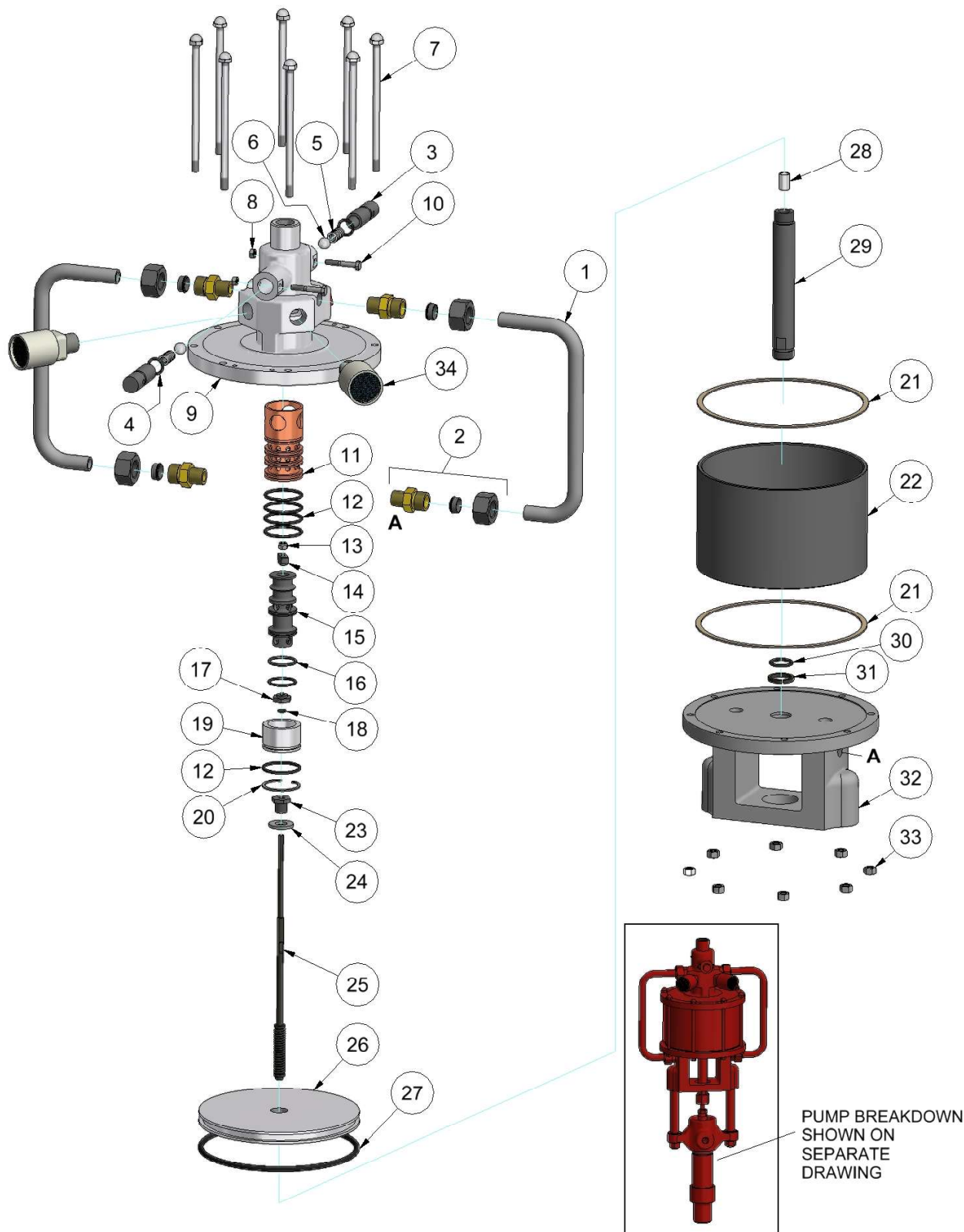
Item	Description	Part No.	Ratio
+	Fluid End Only, Complete	15550101	
+	Pump Complete with 7-3/8" Air Motor	15550100	140:1
+	Pump Complete with 8-1/2" Air Motor	15650100	290:1

Item	Description	Part No.	Qty
Kit	Repair Kit, Fluid End Only	15550198	
1*	Rod	15550105	1
2	Coupling Nut	15500245	1
3*	Packing Gland Nut	15550107	1
4	Body	15550108	1
5*	Spacer	15550125	1
6*	Packing	15550109	1
7*	Rod Sleeve	15550110	1
8*	O-Ring	15550115	1
9	Plug	15550120	1

* Included in Fluid End Repair Kit

PNEUMATIC OPERATED PUMP

8 1/2" DIA. AIR MOTOR



PNEUMATIC OPERATED PUMP

8 1/2" DIA. AIR MOTOR

Item	Description	Part No.	Ratio
+	Motor & Pump, Complete	15600100	60:1
+	Motor & Pump, Complete	15700100	40:1
+	Motor Only, Complete	15600101	

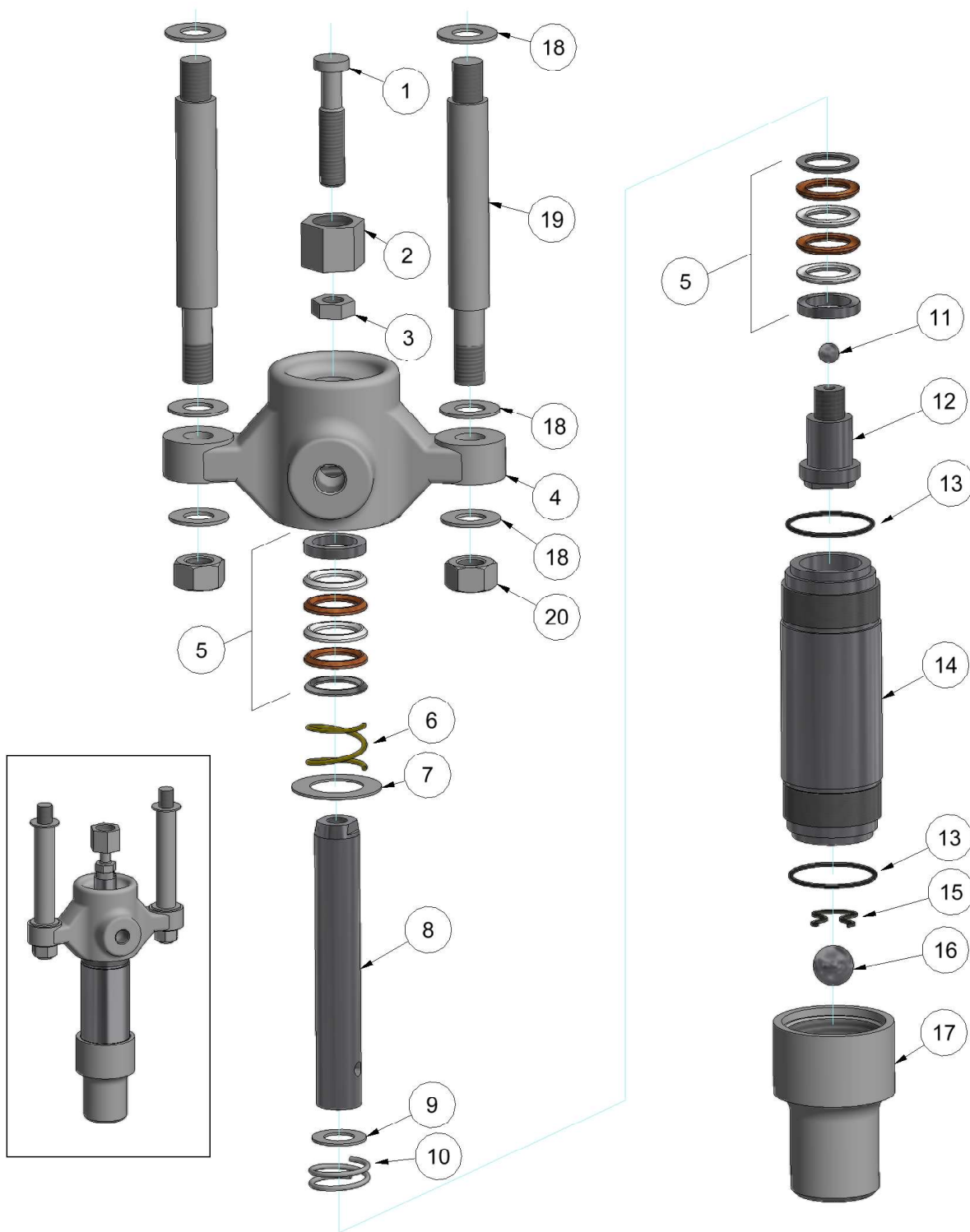
Item	Description	Part No.	Qty
Kit	Repair Kit, Complete Pump & Motor 60:1	15600199	
Kit	Repair Kit, Complete Pump & Motor 40:1	15700199	
Kit	Repair Kit, Air Motor Only	15600198	
1	Air Line	15500105	2
2	Adapter, Air Line	15500110	4
3	Trip Spring Retainer	15500115	2
4*	O-Ring	15500116	2
5*	Trip Spring	15500120	2
6*	Ball	15500125	2
7	Bolt	15500128	8
8	Nut	15500111	2
9	Cylinder Head	15600111	1
10	Bolt	15500127	2
11*	Valve Sleeve	15500140	1
12*	O-Ring	15500145	5
13*	Stop Nut	15500150	1
14*	Upper Valve Keeper	15500160	1
15*	Air Valve	15500165	1
16*	O-Ring	15500170	2
17*	Lower Valve Keeper	15500175	1
18*	O-Ring	15500185	1
19	Bushing	15500190	1
20*	Retainer Ring	15500195	1
21*	Gasket	15600105	2
22*	Cylinder	15600110	1
23	Piston Nut	15500215	1
24	Piston Nut Washer	15500220	1
25*	Valve Rod Assembly	15500210	1
26	Piston	15600115	1
27*	O-Ring	15600120	1

Item	Description	Part No.	Qty
28*	Valve Trip Collar	15500230	1
29	Piston Rod	15500235	1
30*	O-Ring	15500232	1
31*	Wear Ring	15600127	1
32	Motor Base	15600125	1
33	Nut	15500129	8
34	Muffler (Optional)	15600126	2

*Included in Air Motor Repair Kit

PNEUMATIC OPERATED PUMP

60:1 RATIO, FLUID END FOR 8 1/2" AIR MOTOR



PNEUMATIC OPERATED PUMP

60:1 RATIO, FLUID END FOR 8 1/2" AIR MOTOR

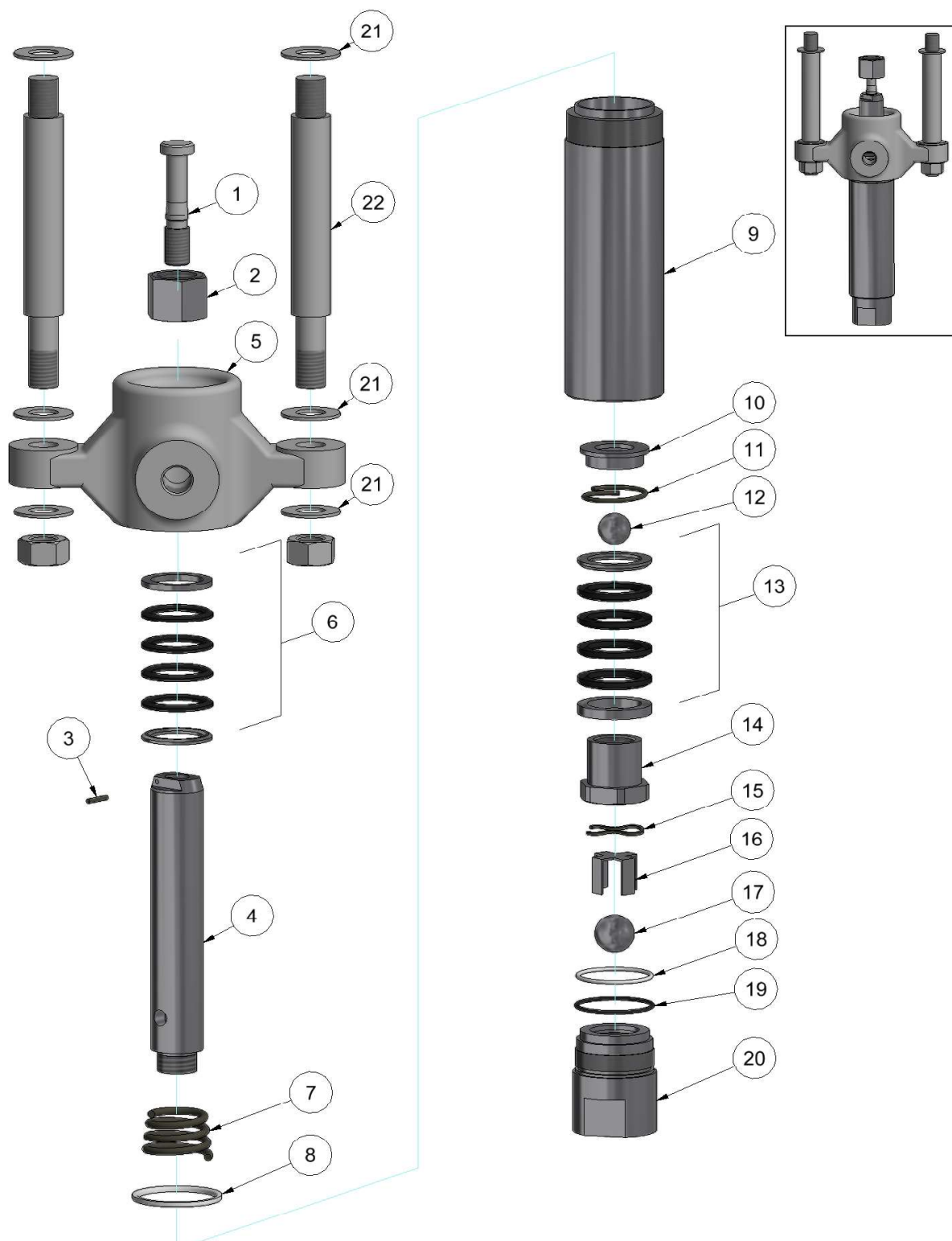
Item	Description	Part No.	Ratio
+	Motor & Pump, Complete	15600100	60:1
+	Fluid End Only, Complete	15600102	60:1

Item	Description	Part No.	Qty
Kit	Repair Kit, (Fluid End Only) 60:1	15600197	
Kit	Repair Kit, Complete Pump & Motor 60:1	15600199	
1	Connecting Rod	15600186	1
2	Coupling Nut	15500245	1
3	Jam Nut	15600188	1
4	Pump Block	15600149	1
5**	Upper & Lower Packing Sets	15600135	2
6**	Packing Spring, Upper	15600150	1
7**	Washer	15600155	1
8	Plunger Rod	15600151	1
9**	Washer, Piston	15600152	1
10**	Spring, Lower Packing	15600130	1
11**	Ball, Piston Seat	15600140	1
12	Piston Seat Assembly	15600145	1
13**	O-Ring	15600160	2
14	Pump Tube (Cylinder)	15600165	1
15**	Stop, Ball	15600170	1
16**	Ball, Foot Valve	15600175	1
17	Foot Valve	15600180	1
18	Stanchion Washer	15500315	6
19	Stanchion	15500320	2
20	Stanchion Nut	1550325	2

** Included in Fluid End Repair Kit

PNEUMATIC OPERATED PUMP

40:1 RATIO, FLUID END



PNEUMATIC OPERATED PUMP

40:1 RATIO, FLUID END

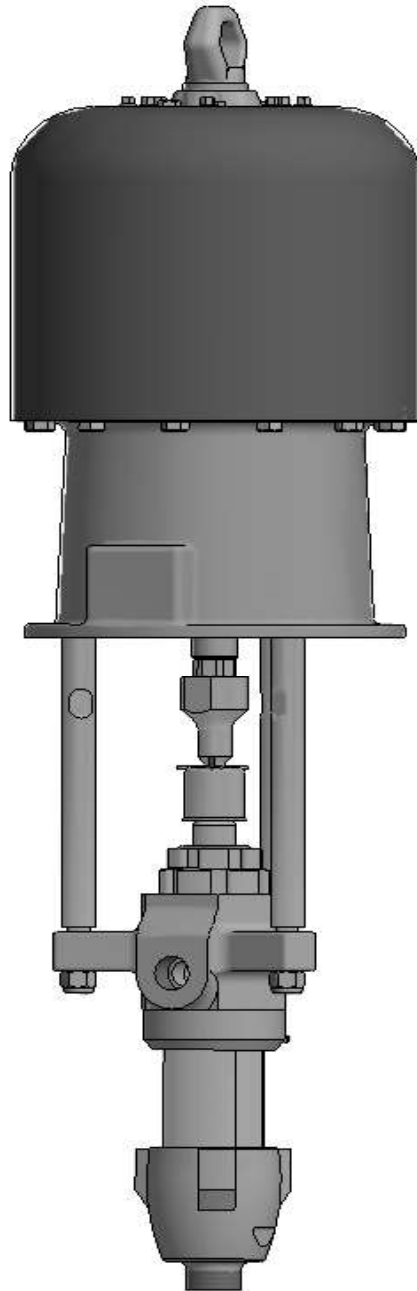
Item	Description	Part No.	Ratio
+	Motor & Pump, Complete	15700100	40:1
+	Fluid End Only, Complete	15700105	40:1

Item	Description	Part No.	Qty
Kit	Repair Kit, (Fluid End Only) 40:1	15700197	
Kit	Repair Kit, Complete Pump & Motor 40:1	15700199	
1	Connecting Rod	15700205	1
2	Coupling Nut	15500245	1
3	Pin, Roll	15700110	1
4	Plunger Rod	15700115	1
5	Block, Pump	15700120	1
6**	Packing Set, Upper	15700125	1
7**	Spring, Upper Packing	15700135	1
8**	O-Ring, Teflon	15700140	1
9	Cylinder	15700145	1
10**	Retainer, Spring	15700150	1
11**	Spring, Lower Packing	15700155	1
12**	Ball, Piston	15700165	1
13**	Packing Set, Lower	15700160	1
14	Seat, Piston	15700170	1
15	Stop, Ball	15700172	1
16	Cage, Ball	15700195	1
17**	Ball, Foot Valve	15700190	1
18**	O-Ring, Teflon	15700180	1
19**	O-Ring, Buna	15700175	1
20	Valve, Foot	15700185	1
21	Stanchion Washer	15500315	6
22	Stanchion	15500320	2
23	Stanchion Nut	15500325	2

** Included in Fluid End Repair Kit

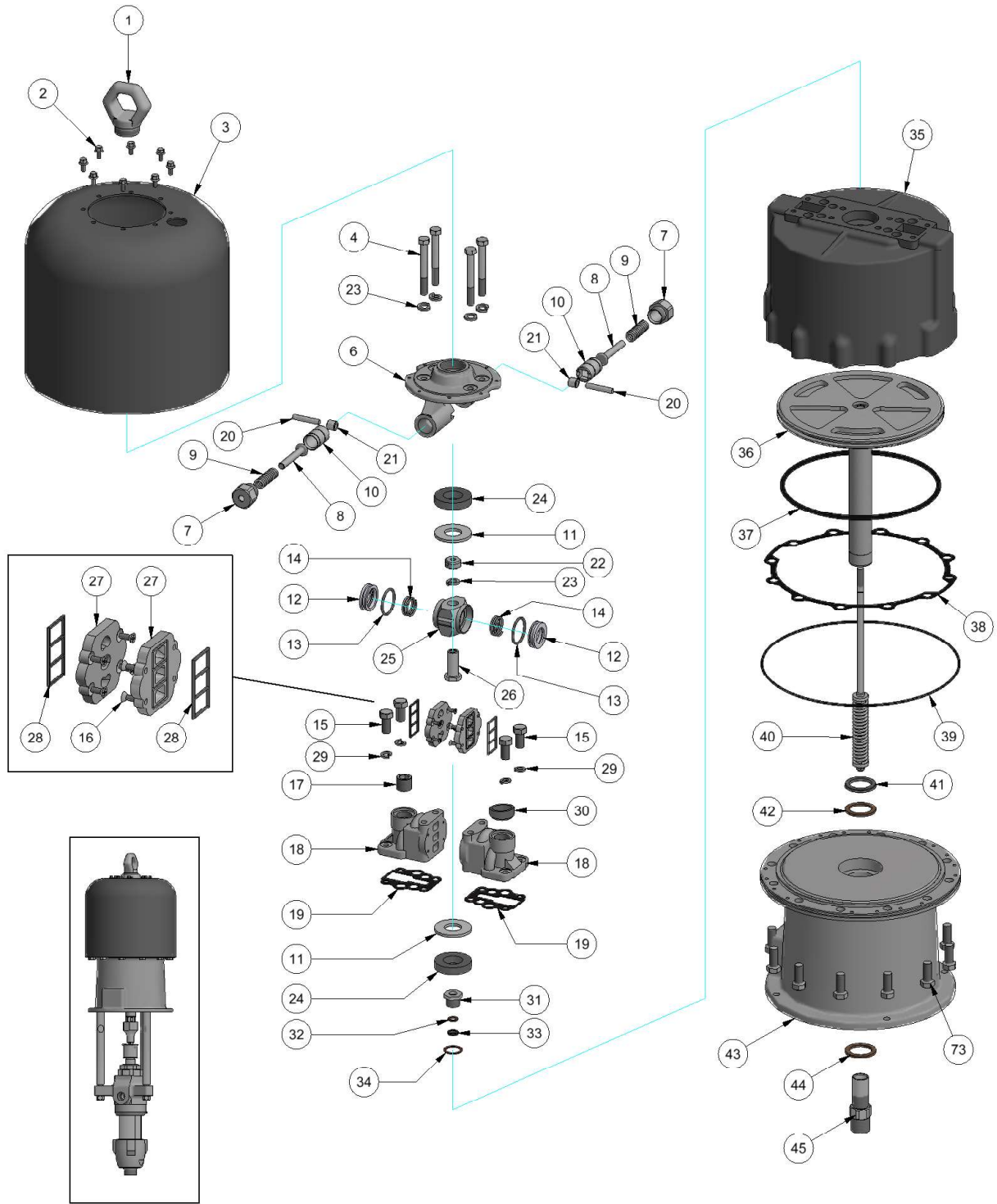
PNEUMATIC OPERATED PUMP

45:1 RATIO - KING



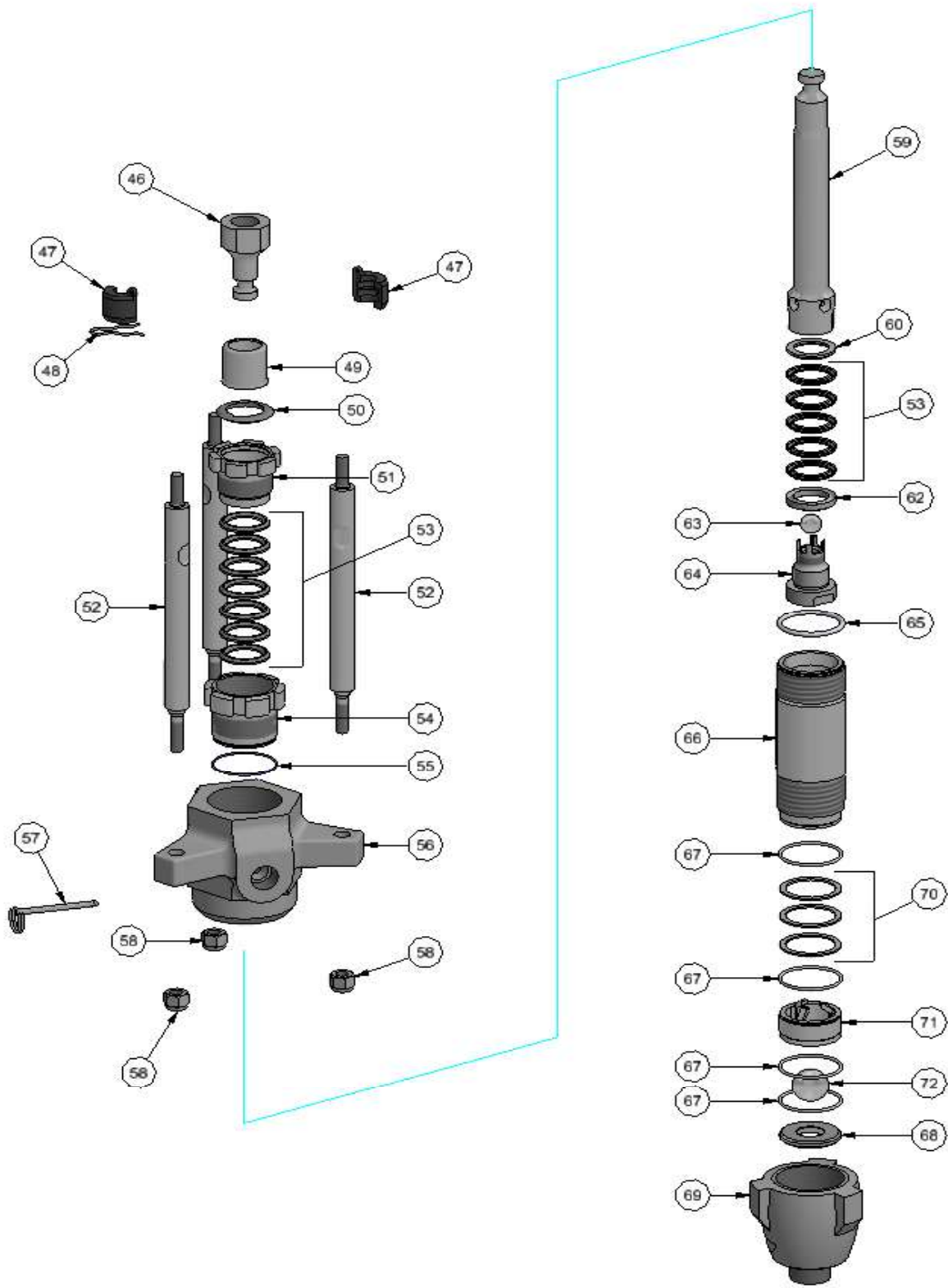
PNEUMATIC OPERATED PUMP

45: 1 RATIO - KING



PNEUMATIC OPERATED PUMP

45:1 RATIO - KING



PNEUMATIC OPERATED PUMP

45:1 RATIO - KING

Item	Description	Part No.	Qty.
+	Complete Pump Assembly	15850100	

Item	Description	Part No.	Qty.
Kit	Air Motor - Repair	15850297	
Kit	Fluid End - Repair	15850298	
Kit	Major Repair Kit - Complete	15850299	
1	Lift Ring	15800112	1
2	Screw 1/4-20 X 1/2"	15820107V	8
3	Shield, Motor	15850106	1
4	Screw, Hex Head 7/16-14 X 3.5"	15800179	4
5	Lockwasher 7/16"	15800176	4
6	Housing Detent	15800183	1
7	Retainer, Detent Spring	15800236	2
8*	Guide Spring	15800155	2
9*	Spring Comp	15800160	2
10*	Plunger Detent 169-583	15800185	2
11*	Washer	15800135	2
12*	Valve Air Director 168-182	15800170	2
13*	O-Ring	15800110	2
14*	Spring Compression	15800130	2
15	Screw, Cap 3/8-16 X1"	15800178	4
16*	Screw, Allen Head 10-24 X 1/2"	15800191	8
17	Pipe Plug 3/4"	15800184	1
18	Manifold Air	15800181	2
19*	Gasket Air Manifold	15800175	2
20*	Axle Detent	15800200	2
21*	Roller	15800195	2
22*	Nut (Trip Rod)	15850130	1
23*	Lock Washer 3/8"	15800174	1
24*	Pad	15800140	2
25	Housing Air Valve	15800150	1
26*	Motor, Bushing	15850125	1
27*	Plate, Valve 169-584	15800190	2
28*	Seal Valve Plate	15800180	2
29	Lock Washer 3/8"	15800174	4
30*	Grommet	15800165	1
31*	Bearing	15800235	1
32*	Washer Back-Up	15800125	1
33*	V-Packing	15800205	1
34*	Gasket	15800105	1
35	Cylinder	15820104V	1
36	Motor Pneu. Air Piston	15850115	1
37*	Pneu. Motor, O-Ring	15820101V	1

Item	Description	Part No.	Qty.
38*	Cylinder Gasket	15820105V	1
39*	O-Ring	15820110V	1
40*	Trip Rod	15850110	1
41*	V-Packing	15820125V	1
42*	Washer (Leather)	15820120V	1
43	Base	15850105	1
44	Seal	15820115V	1
45	Stud Rod (Piston)	15850120	1
46	Rod Adapter	15850255	1
47	Coupler Cover	15850275	1
48	Hairpin Clip	15850260	1
49	Coupling Assembly	15850265	2
50**	Throat Seal Plug	15850235	1
51	Packing Nut	15850155	1
52	Tie Rod	15850250	3
53**	Packing	15850165	7
54*	Throat Cartridge	15850175	1
55**	Top O-Ring Packing	15850185	1
56	Outlet Housing	15850180	1
57	Locking Pin	15850190	1
58	Lock Nut	15850270	3
59	Displacement Rod	15850150	1
60**	Gland	15850160	1
61**	Packing	15850165	5
62**	Female Gland	15850170	1
63**	Piston Ball	15850200	1
64*	Piston Valve	15850205	1
65**	Top O-Ring Top Cylinder	15850194	1
66	Pump Cylinder	15850195	1
67**	Top O-Ring Bottom Cylinder	15850196	4
68	Carbide Seat	15850230	1
69	Inlet Housing	15850210	1
70	Inlet Shim	15850225	3
71	Ball Guide	15850215	1
72*	Inlet Ball	15850220	1
73	Screws	15800177	12

*Included with Air Motor Repair Kit

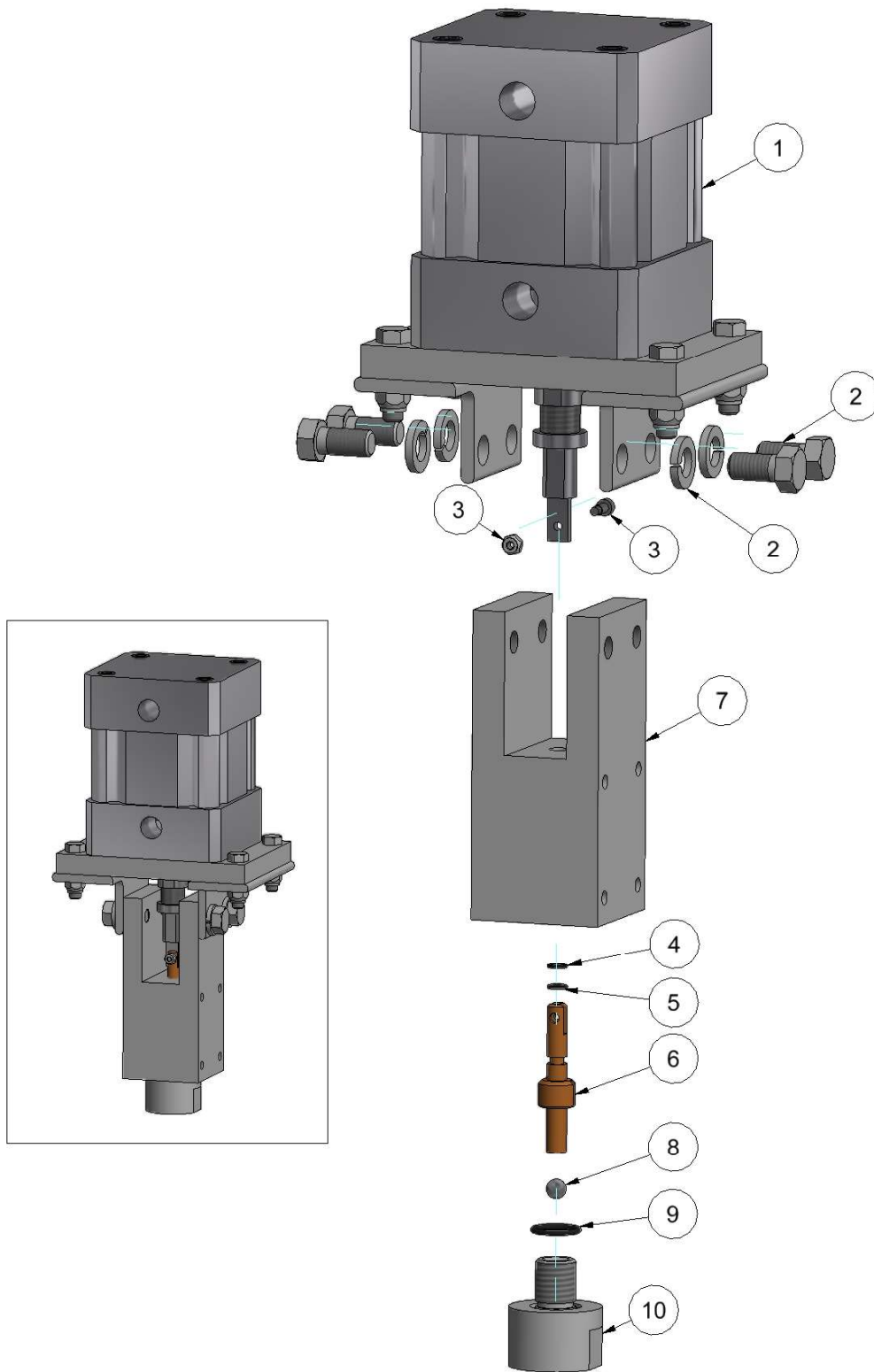
**Included with Fluid End Repair Kit



REGULATORS

REGULATOR

HIGH PRESSURE UNLOADING VALVE



REGULATOR

HIGH PRESSURE UNLOADING VALVE

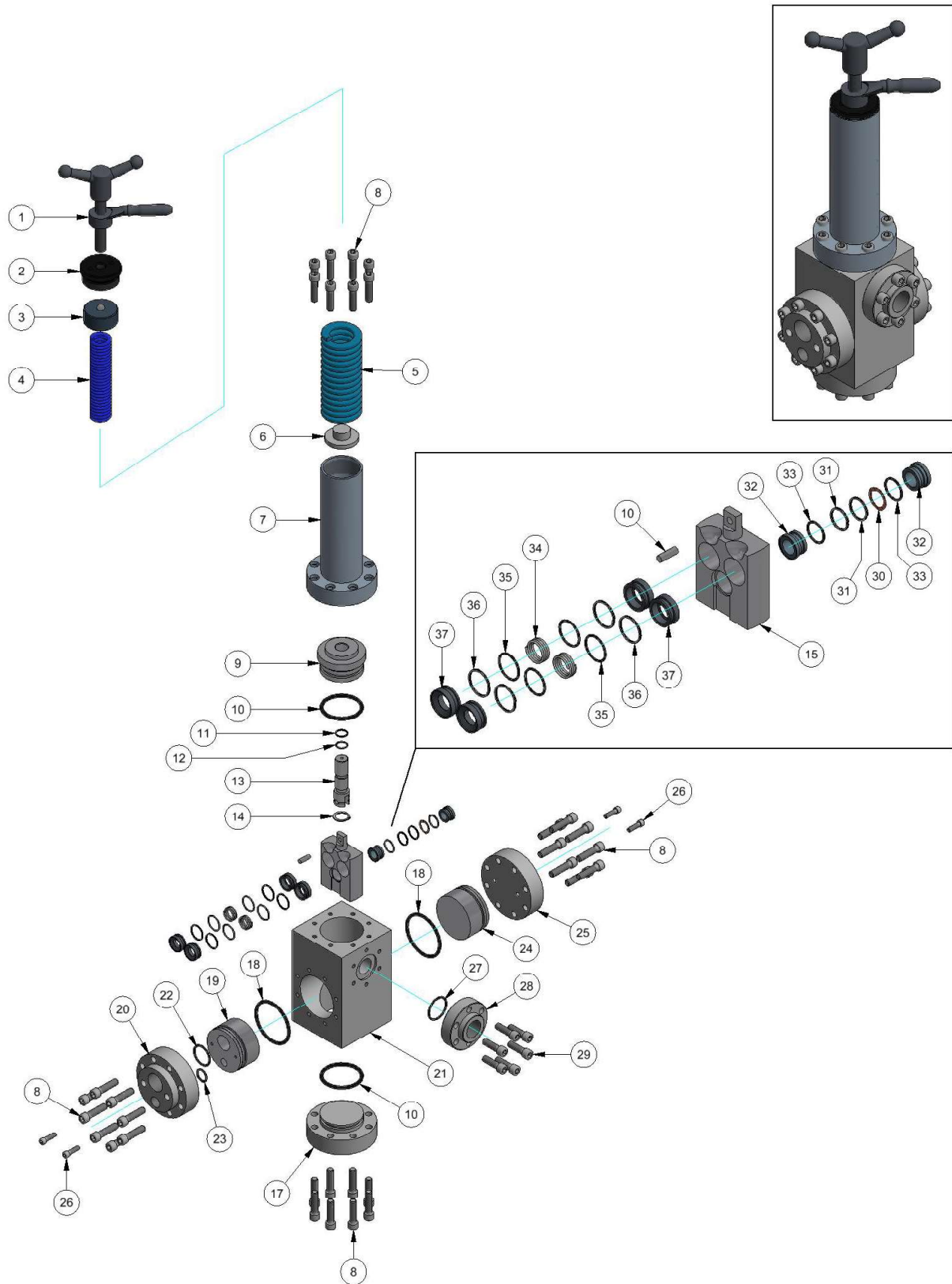
Item	Description	9/16 "	Qty
+	High Pressure Regulating Valve, Complete	75950100	
+	Medium Pressure Regulating Valve, Complete	75955100	

Item	Description		Qty
Kit	Repair Kit (High Pressure)	75955299	
Kit	Repair Kit (Medium Pressure)	75955199	
1	Pneumatic Cylinder	75955135	1
2	Cap Screw & Lock Washer, Bracket to Valve Body	75955113	4
3	Screw & Locknut - Valve to Drink Link	75955145	1
4*	Valve Stem O-Ring	75955120	1
5*	Valve Stem Back-Up Ring	75955125	1
6*	Control Valve Stem	75955115	1
7	Valve Body	75955105	1
8*	Valve Ball	75955150	1
9*	Valve Seat O-Ring	75955130	1
10**	Valve Seat (HR-20HP) High Pressure	75955112	1
10*	Valve Seat (HR-20P) Medium Pressure	75955110	1

* Included in Repair Kit

REGULATOR

1" MANUAL MODEL G
Pressure Regulating & Reducing Valve



REGULATOR

1" MANUAL MODEL G
Pressure Regulating & Reducing Valve

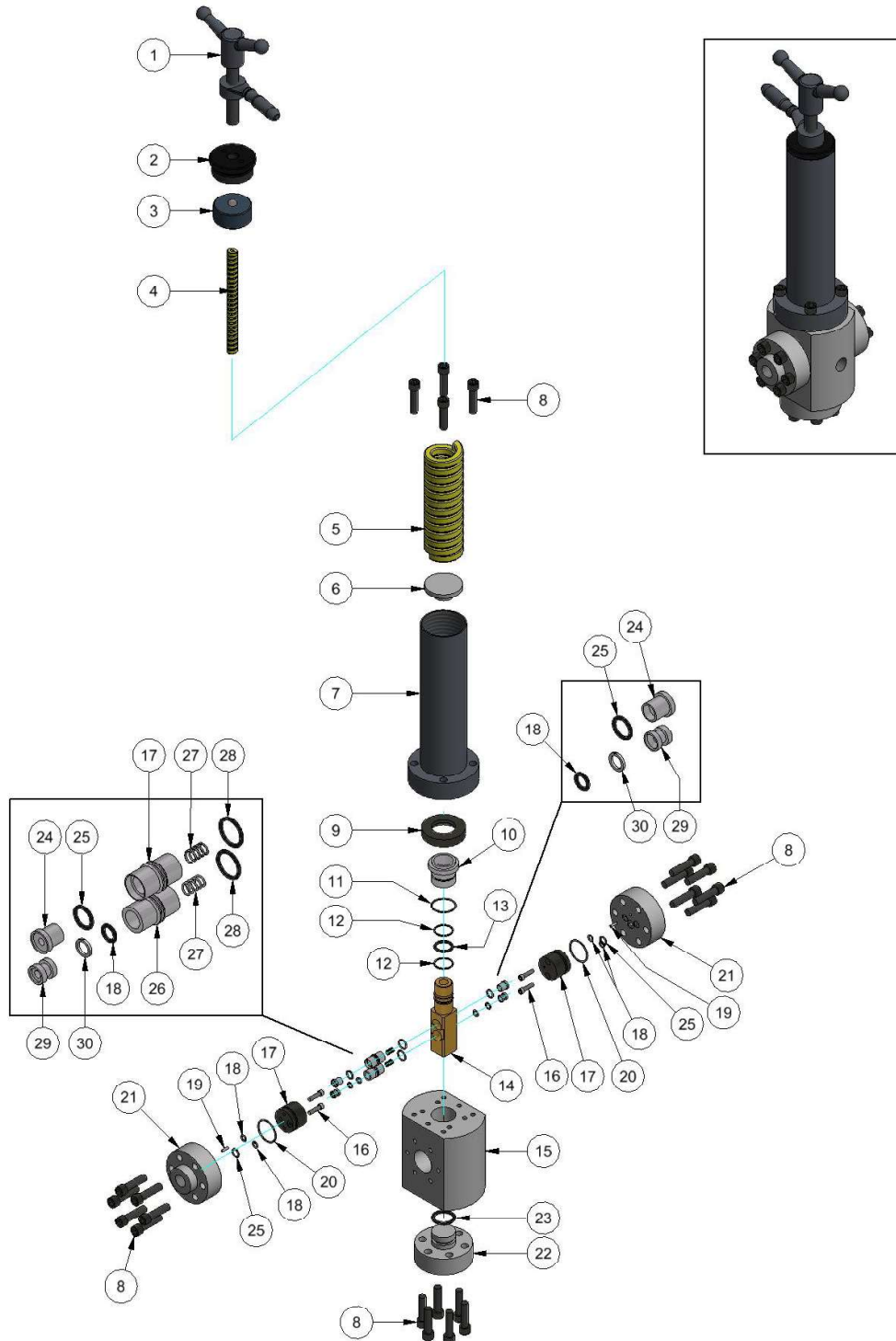
Item	Description	1"	Qty
+	Regulator, Complete	40100100	
Item	Description	1"	Qty
Kit	Seal Kit (Included in Repair Kit)	40100997	
Kit	Repair Kit	40100999	
1	Handle Assembly	40100105	1
2	Sealing Plug	40100110	1
3	Spring Guide	40100115	1
4	Spring, Inner	40100210	1
5	Spring, Compression (Outer)	40100220	1
6	Spring Plate	40100120	1
7	Adjustment Head	40100225	1
8	Screw	40200115	32
9	Guide, Plunger	40100130	1
10**	O-Ring	N/A	2
11**	Back-Up Ring	N/A	1
12**	O-Ring	N/A	1
13	Plunger	40100145	1
14	Pin Retainer	40100190	1
15	Seal Container	40100160	1
16	Pin	40100180	1
17	Lower Flange	40100230	1
18**	O-Ring	N/A	2
19*	Flow Port	N/A	1
20	Main Flange (Inlet & Vent)	40100150	1
21	Body	40100235	1
22**	O-Ring	N/A	1
23**	O-Ring	N/A	1
24*	Flow Plate, Blind	N/A	1
25	Flange, Blind	40100165	1
26*	Screw	N/A	4
27**	O-Ring	N/A	1
28	Flange (Outlet 1" NPT)	40100175	1
29	Screw	40200150	6
30**	Back-Up Ring	N/A	4
31**	O-Ring	N/A	4
32*	Seal Ring	N/A	2
33*	Wave Spring	N/A	1
34*	Spring	N/A	2
35**	O-Ring	N/A	4
36**	Back-Up Ring	N/A	4
37*	Seal Ring	N/A	4

* Included in Repair Kit

** Included in Seal Kit

REGULATOR

1/2" MANUAL MODEL G
Pressure Regulating & Reducing Valve



REGULATOR

1/2" MANUAL MODEL G
Pressure Regulating & Reducing Valve

Item	Description	1/2"	Qty
+	Regulator, Complete	40110100	

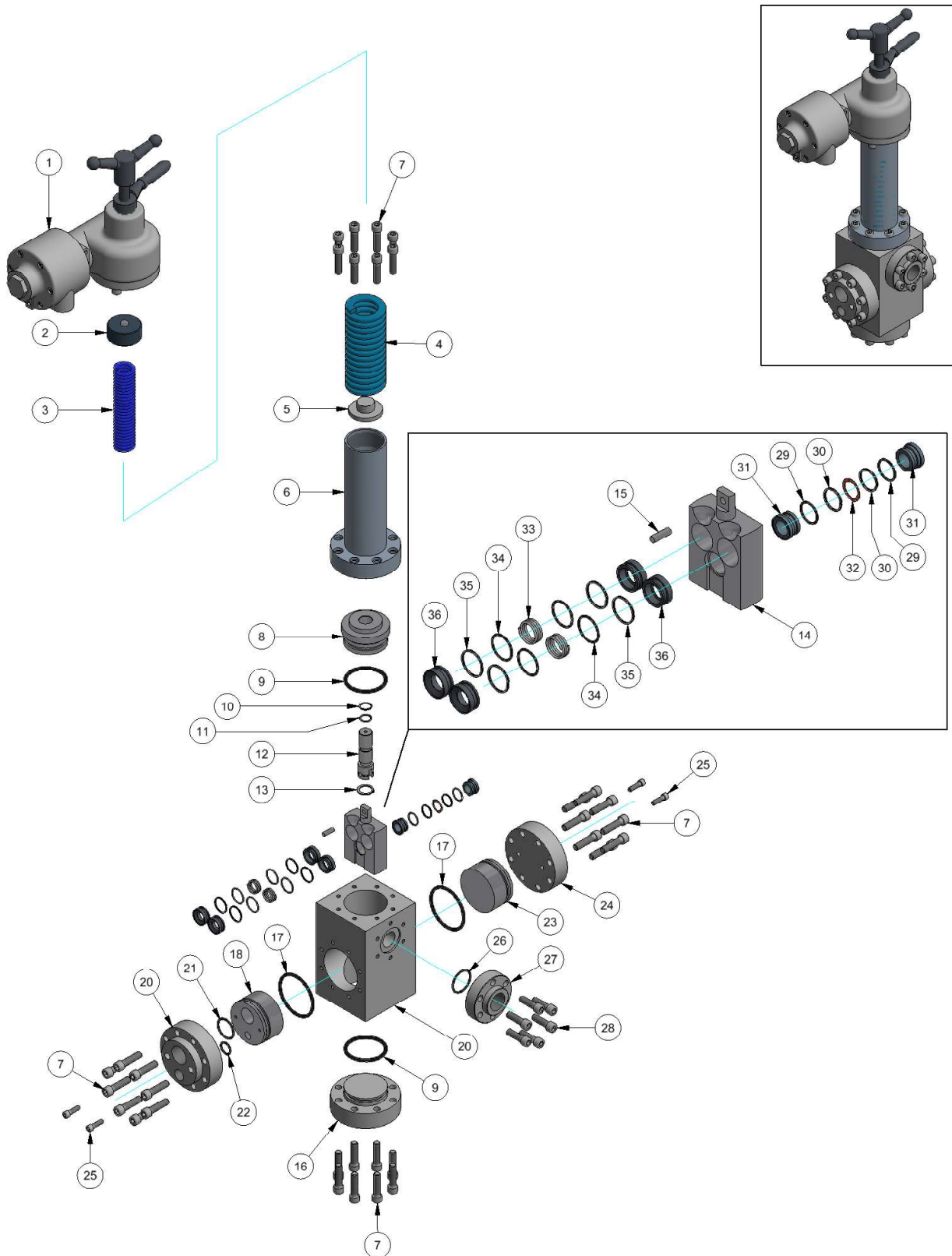
Item	Description	1/2"	Qty
Kit	Seal Kit (Included in Repair Kit)	40210197	
Kit	Repair Kit	40210199	
1	Handle Assembly	40100105	1
2	Sealing Plug	40100110	1
3	Spring Guide	40100115	1
4	Spring, Inner	40110105	1
5	Spring, Compression (Outer)	40110110	1
6	Spring Plate	40100120	1
7	Adjustment Head	40110115	1
8	Screw	40200115	22
9	Adapter	40110120	1
10	Guide, Plunger	40110125	1
11**	O-Ring	40110130	1
12	Back-Up Ring	40110135	2
13**	O-Ring	40110140	1
14*	Seal Container	40110145	1
15	Body	40110245	1
16	Screw	40110225	4
17**	Flow Plate	40110230	2
18**	O-Ring	40110205	4
19	Pin (Included with Item #21)	N/A	2
20**	O-Ring	40110140	2
21	Flange (1/2" NPT)	40110200	2
22	Lower Flange	40110220	1
23**	O-Ring	40110215	1
24*	Hydro-Seal	N/A	2
25**	O-Ring	N/A	2
26*	Outlet Seal Cage	N/A	1
27*	Spring	N/A	2
28**	O-Ring	N/A	2
29*	Hydro-Seal	N/A	2
31**	Back-Up Ring	N/A	2
31*	Inlet Seal Cage	N/A	1

* Included in Repair Kit

** Included in Seal Kit

REGULATOR

1" FAIL SAFE MODEL G
Pressure Regulating & Reducing Valve



REGULATOR

1" FAILSAFE MODEL G
Pressure Regulating & Reducing Valve

Item	Description	1"	Qty
+	Regulator, Complete	40150100	

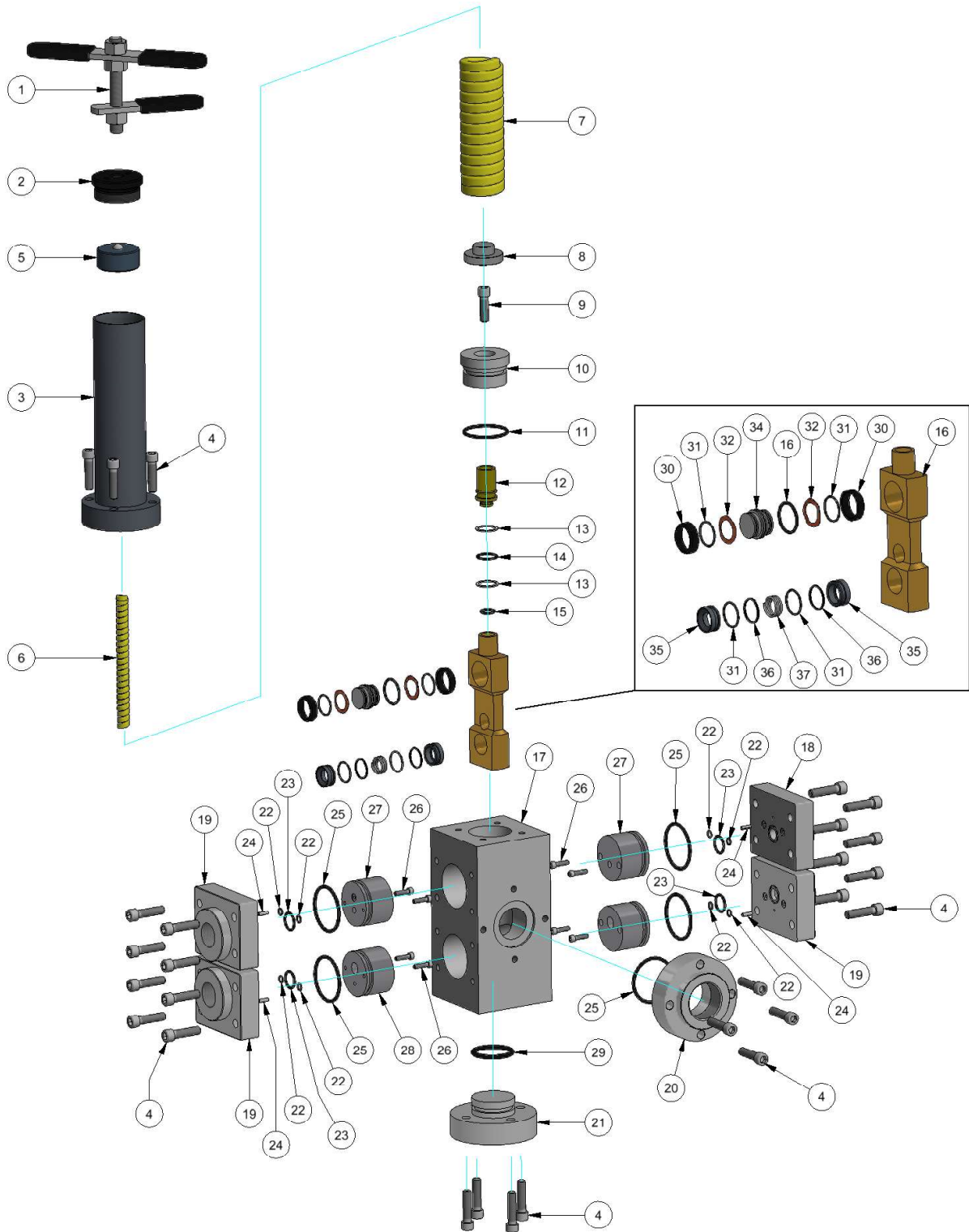
Item	Description	1"	Qty
Kit	Seal Kit (Included in Repair Kit)	40100997	
Kit	Repair Kit	40100999	
1	Fail Safe Head	40150105	1
2	Spring Guide w/Ball	40150110	1
3	Spring, Inner	40100210	1
4	Spring, Compression	40100220	1
5	Spring Plate	40100120	1
6	Adjustment Head	40100225	1
7	Screw	40200115	32
8	Guide, Plunger	40100130	1
9**	O-Ring	40450265	2
10**	Back-Up Ring	40100136	1
11**	O-Ring	40100137	1
12	Plunger	40100145	1
13	Pin Retainer	40100190	1
14	Seal Container	40100160	1
15	Pin	40100180	1
16	Lower Flange	40100230	1
17*	O-Ring	40450230	2
18*	Flow Port	40100151	1
19	Main Flange (Inlet & Vent)	40100150	1
20	Body	40100235	1
21**	O-Ring	40110130	1
22**	O-Ring	40100236	1
23*	Flow Plate, Blind	40100166	1
24	Flange, Blind	40100165	1
25*	Screw	40450120	4
26**	O-Ring	40100240	1
27	Flange (Outlet 1" NPT)	40100175	1
28	Screw	40200150	6
29**	Back-Up Ring	NPN	4
30**	O-Ring	NPN	4
31*	Seal Ring	NPN	2
32*	Wave Spring	NPN	1
33*	Spring	NPN	2
34**	O-Ring	NPN	4
35**	Back-Up Ring	NPN	4
36*	Seal Ring	NPN	4

* Included in Repair Kit

** Included in Seal Kit

REGULATOR

1-1/2" MANUAL MODEL G SERIES A
Pressure Regulating & Reducing Valve



REGULATOR

1 -1/2" MANUAL MODEL G SERIES A
Pressure Regulating & Reducing Valve

Item	Description	1-1/2"	Qty
+	Regulator, Complete	40200100	

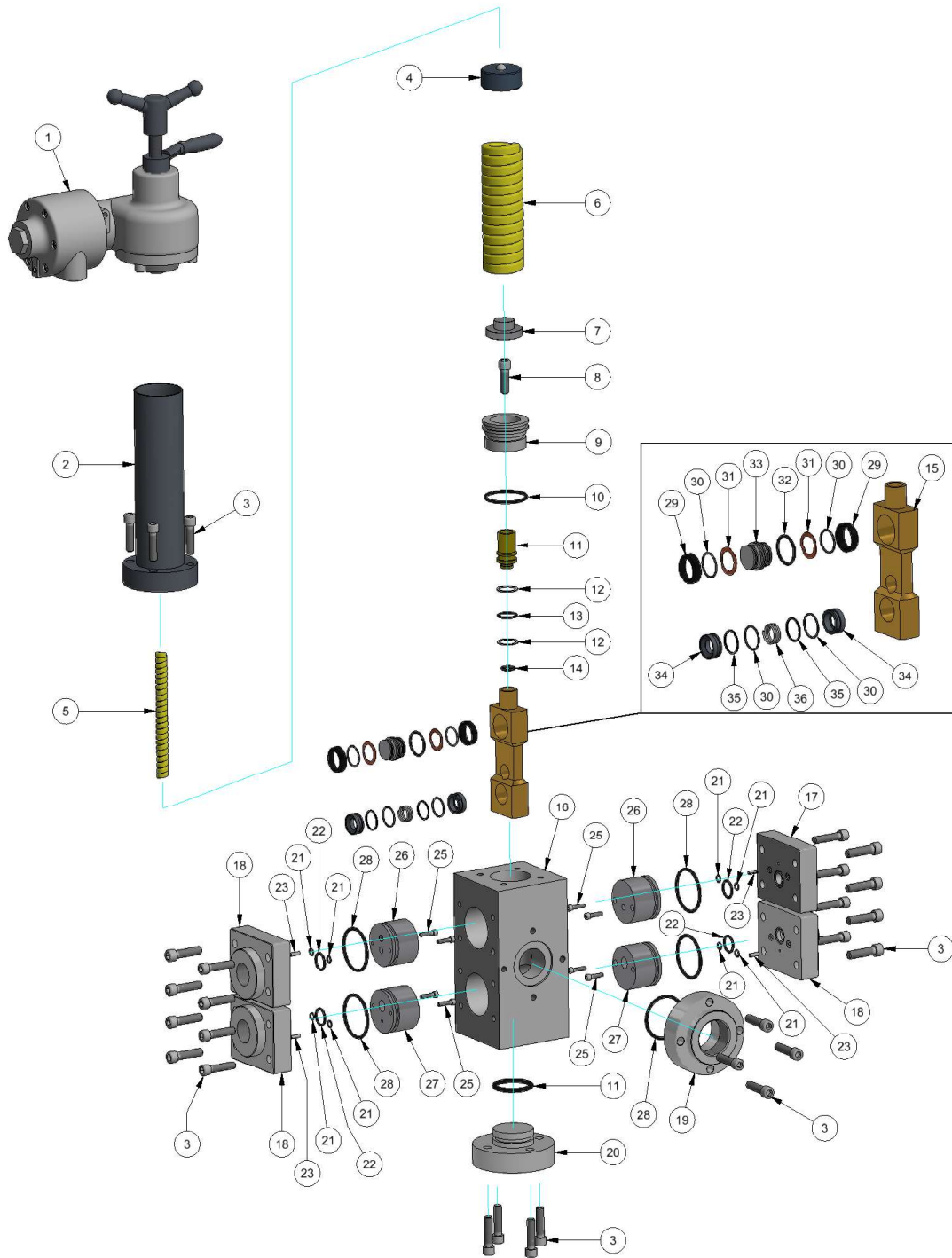
Item	Description	1-1/2"	Qty
Kit	Seal Kit (Included in Repair Kit)	40200997	
Kit	Repair Kit	40200999	
1	Handle Assembly	40200105	1
2	Sealing Plug	40200110	1
3	Adjustment Head	40200120	1
4	Screw	40200115	28
5	Spring Guide w/Ball	40200125	1
6	Spring, Inner	40200135	1
7	Spring, Outer	40200140	1
8	Spring Plate	40200145	1
9	Screw	40200150	1
10	Hanger Guide	40200155	1
11**	O-Ring	40200160	1
12	Piston	40200165	1
13**	Back-Up Ring	40200170	2
14**	O-Ring	40200175	1
15**	O-Ring	40200180	1
16	Seal Container	40200210	1
17	Body	40200250	1
18	Flange, Blind	40200230	1
19	Flange, 1" NPT	40200235	3
20	Flange, 1 1/2" NPT	40200240	1
21	Lower Flange	40200255	1
22**	O-Ring	40200265	8
23**	O-Ring	40200270	4
24	Pin (Included with Items 18 & 19)	40200275	4
25**	O-Ring	40200280	4
26*	Screw (1 in R.K.)	40200286	8
27*	Flow Plate, Vent	40200285	2
28*	Flow Plate, Supply	40200260	2
29**	O-Ring	40200245	1
30*	Seal Ring, Vent	40200205	2
31*	O-Ring	40200200	4
32*	Wave Spring	40200195	2
33**	O-Ring	40200185	1
34*	Valve Cage	40200190	1
35*	Seal Ring, Supply	40200225	2
36**	Back-Up Ring	40200220	2
37*	Spring	40200215	1

* Included in Repair Kit

** Included in Seal Kit

REGULATOR

1-1/2" FAIL SAFE MODEL G SERIES A
Pressure Regulating & Reducing Valve



REGULATOR

1-1/2" FAIL SAFE MODEL G SERIES A
Pressure Regulating & Reducing Valve

Item	Description	1-1/2"	Qty
+	Regulator, Complete	40215100	

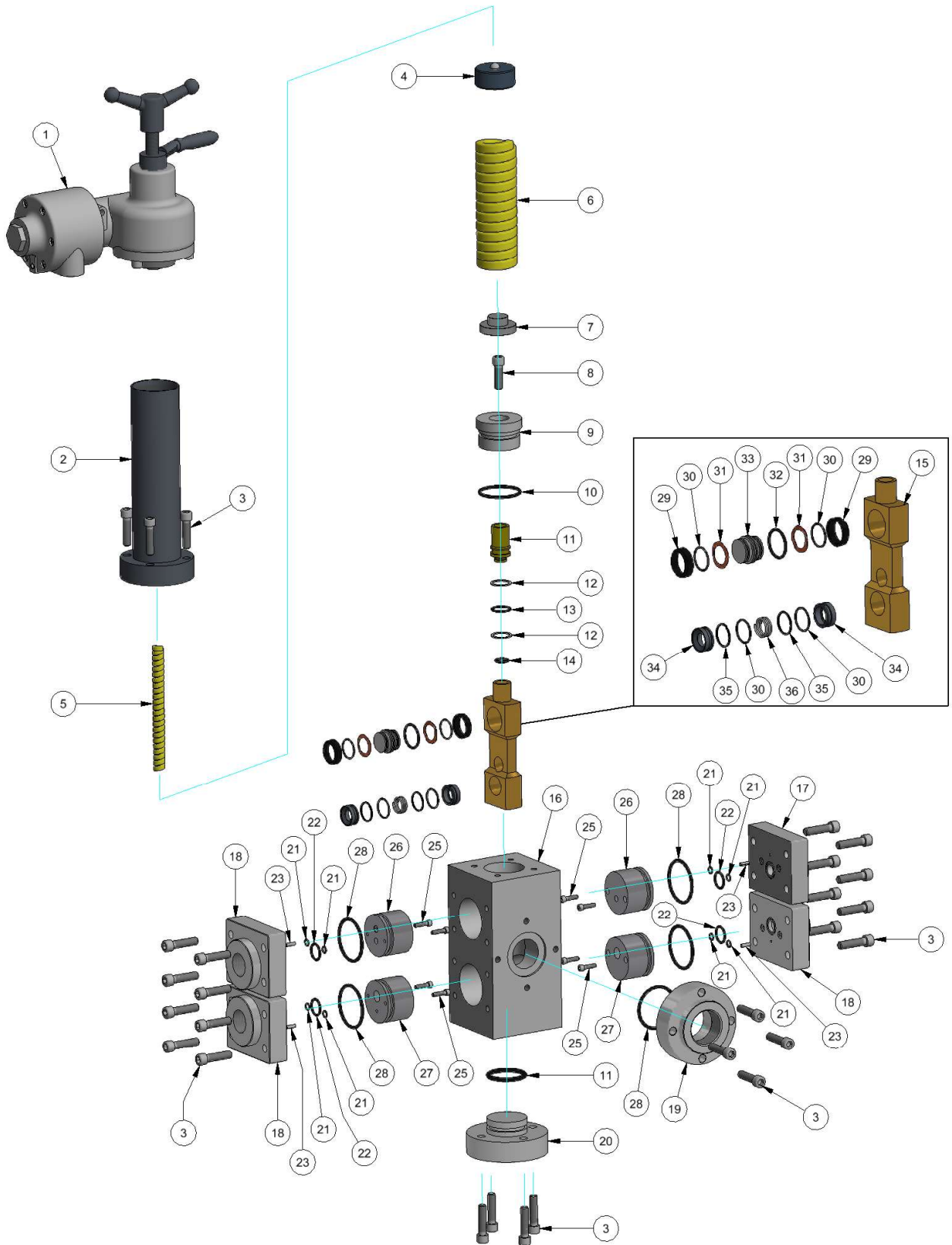
Item	Description	1-1/2 "	Qty
Kit	Seal Kit (Included in Repair Kit)	40200997	
Kit	Repair Kit	40200999	
1	Fail Safe Head	40150105	1
2	Adjustment Head	40200120	1
3	Screw	40200115	28
4	Spring Guide w/Ball	40150110	1
5	Spring, Inner	40200135	1
6	Spring, Outer	40200140	1
7	Spring Plate	40200145	1
8	Screw	93200125	1
9	Hanger Guide/Cylinder	40350130	1
10	O-Ring	40200160	1
11	Piston	40350125	1
12**	Back-Up Ring	40200170	2
13**	O-Ring	40200175	1
14**	O-Ring	40200180	1
15	Seal Container	40200210	1
16	Body	40200250	1
17	Flange, Blind	40200230	1
18	Flange, 1" NPT	40200235	3
19	Flange, 1/2" NPT	40200240	1
20	Lower Flange	40200255	1
21	O-Ring	40200265	8
22**	O-Ring	40200270	4
23**	Pin (Included with Items 18 & 19)	40200275	4
24*	O-Ring	40200280	4
25**	Screw (1 in R.K.)	40200286	8
26*	Flow Plate, Vent	N/A	2
27*	Flow Plate, Supply	N/A	2
28**	O-Ring	40200245	1
29*	Seal Ring, Vent	N/A	2
30**	O-Ring	N/A	4
31*	Wave Spring	N/A	2
32**	O-Ring	N/A	1
33*	Valve Cage	N/A	1
34*	Seal Ring, Supply	N/A	2
35**	Back-Up Ring	N/A	2
36*	Spring	N/A	1

* Included in Repair Kit

** Included in Seal Kit

REGULATOR

1-1/2" FAIL SAFE MODEL G SERIES A
Pressure Regulating & Reducing Valve



REGULATOR

1-1/2" FAIL SAFE MODEL G SERIES A
Pressure Regulating & Reducing Valve

Item	Description	1-1/2"	Qty
+	Regulator, Complete	40250100	

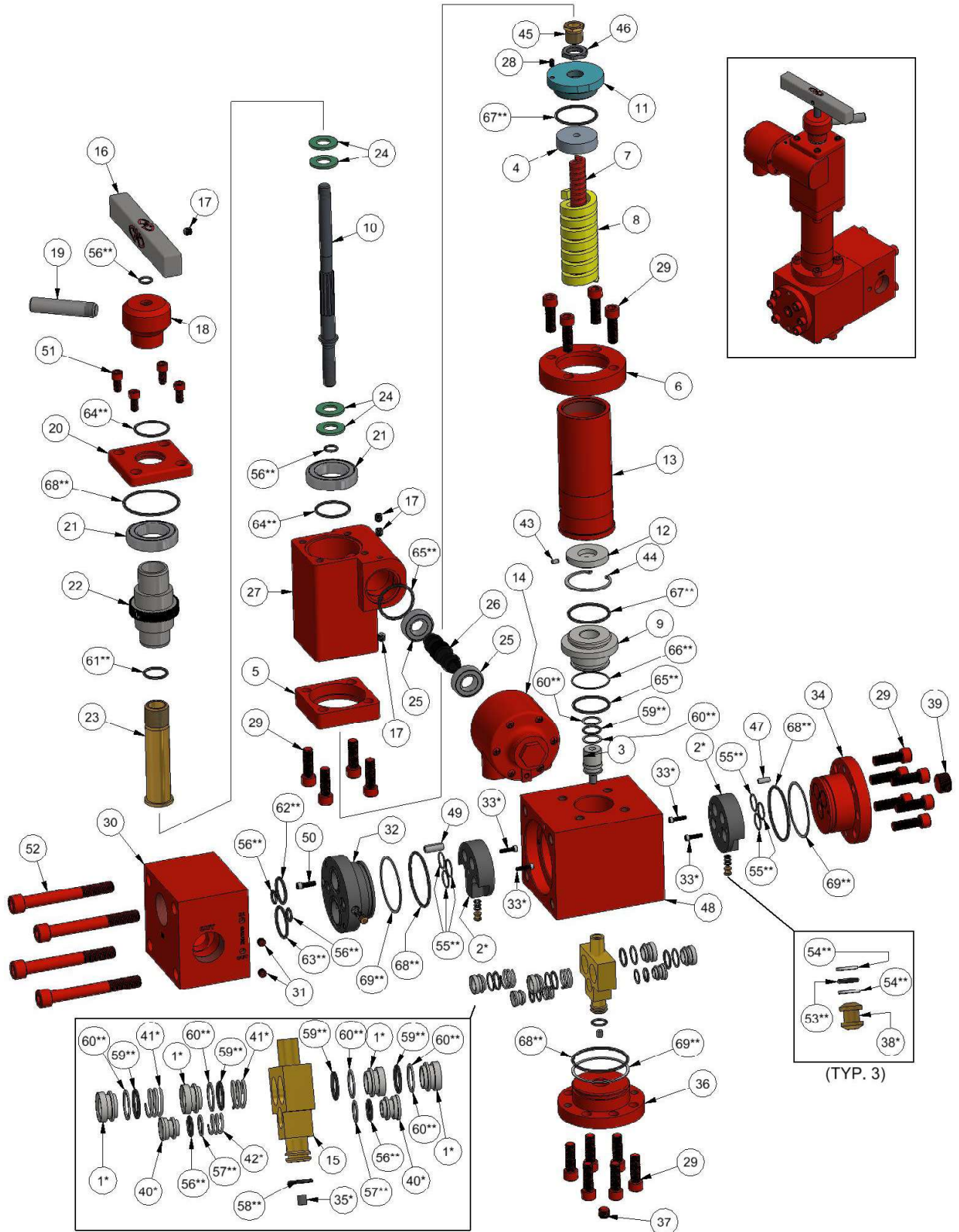
Item	Description	1-1/2 "	Qty
Kit	Seal Kit (Included in Repair Kit)	40200997	
Kit	Repair Kit	40200999	
1	Fail Safe Head	40150105	1
2	Adjustment Head	40200120	1
3	Screw	40200115	28
4	Spring Guide w/Ball	40150110	1
5	Spring, Inner	40200135	1
6	Spring, Outer	40200140	1
7	Spring Plate	40200145	1
8	Screw	40200150	1
9	Hanger Guide	40200155	1
10	O-Ring	40200160	1
11**	Piston	40200165	1
12	Back-Up Ring	40200170	2
13**	O-Ring	40200175	1
14**	O-Ring	40200180	1
15	Seal Container	40200210	1
16	Body	40200250	1
17	Flange, Blind	40200230	1
18	Flange, 1" NPT	40200235	3
19	Flange, 1/2" NPT	40200240	1
20	Lower Flange	40200255	1
21**	O-Ring	40200265	8
22**	O-Ring	40200270	4
23**	Pin (Included with Items 18 & 19)	40200275	4
24*	O-Ring	40200280	4
25**	Screw (1 in R.K.)	40200286	8
26*	Flow Plate, Vent	40200285	2
27*	Flow Plate, Supply	40200260	2
28**	O-Ring	40200245	1
29*	Seal Ring, Vent	NPN	2
30**	O-Ring	NPN	4
31*	Wave Spring	NPN	2
32**	O-Ring	NPN	1
33*	Valve Cage	NPN	1
34*	Seal Ring, Supply	NPN	2
35**	Back-Up Ring	NPN	2
36*	Spring	NPN	1

* Included in Repair Kit

** Included in Seal Kit

REGULATOR

1-1/2" FAILSAFE MODEL 5 SERIES LD - 3000 PSI OUTPUT



REGULATOR

1-1/2" FAIL SAFE MODEL 5 SERIES LD - 3000 PSI OUTPUT

Item	Description	Part No.	Qty
+	Regulator, Complete	40480100	

Item	Description	Part No.	Qty	Item	Description	Part No.	Qty
Kit	Seal Kit (Included in Repair Kit)	40500997	-	39	Plug	40650426	1
Kit	Repair Kit	40500999	-	40*	Ring, Seal (Vent)	N/A	2
1*	Ring, Seal (Inlet)	N/A	4	41*	Spring, Inlet	N/A	2
2*	Flow Plate	N/A	1	42*	Spring, Vent	N/A	1
3	Seal Container, Piston	40550018	1	43	Pin, Spring	40650451	1
4	Spring Guide, Upper	40550046	1	44	Ring, Snap, Internal	40650452-SO	1
5	Flange, Head	40550050	1	45	Bushing, Stop	40650455	1
6	Flange, Head	40550050-3K	1	46	Nut, Lock	40650460	1
7	Spring, Red	40550053	1	47	Pin, Spring	40650463	1
8	Spring, Yellow	40550054	1	48	Body	40650465	2
9	Piston Guide	40550060	1	49	Pin, Spring	40650470	1
10	Shaft, Adjustment	40550065	1	50	Screw	93025128	1
11	Sealing Plug	40550070	1	51	Screw	93200123	4
12	Spring Guide, Lower	40550075	1	52	Screw	93200165	4
13	Spring Tube	40550080-3K	1	53**	O-Ring	N/A	3
14	Motor, Air	40650101	1	54**	O-Ring	N/A	6
15	Seal Container	40650105	1	55**	O-Ring	N/A	6
16	Adjustment Handle	40650110	1	56**	O-Ring	N/A	6
17	Set Screw	40650115	4	57**	O-Ring	N/A	2
18	Body, Handle, Lock	40650125	1	58**	O-Ring	N/A	1
19	Grip, Handle, Lock	40650127	1	59**	O-Ring	N/A	5
20	Upper Gear Flange Box	40650135	1	60**	O-Ring	N/A	6
21	Bearing	40650140	2	61**	O-Ring	N/A	1
22	Gear, Adjustment (Driven)	40650150	1	62**	O-Ring	N/A	1
23	Sleeve, Adjustment	40650165	1	63**	O-Ring	N/A	1
24	Thrust Washer	40650170	4	64**	O-Ring	N/A	2
25	Bearing	40650190	2	65**	O-Ring	N/A	2
26	Gear, Adjustment (Drive)	40650195	1	66**	O-Ring	N/A	1
27	Gear Box	40650205	1	67**	O-Ring	N/A	2
28	Set Screw	40650235	1	68**	O-Ring	N/A	4
29	Socket Head Cap Screw	40650250	20	69**	O-Ring	N/A	3
30	Sub-plate	40650340	1				
31	Plug	40650342	2				
32	Port Plate	40650355	1				
33*	Socket Head Cap Screw	N/A	4				
34	Flange	40650385	1				
35*	Plug, Seal Container	N/A	1				
36	Flange, Bottom	40650415	1				
37	Plug	40650420	1				
38*	Flow Plate	N/A	3				

NOTE: N/A - Not sold separately

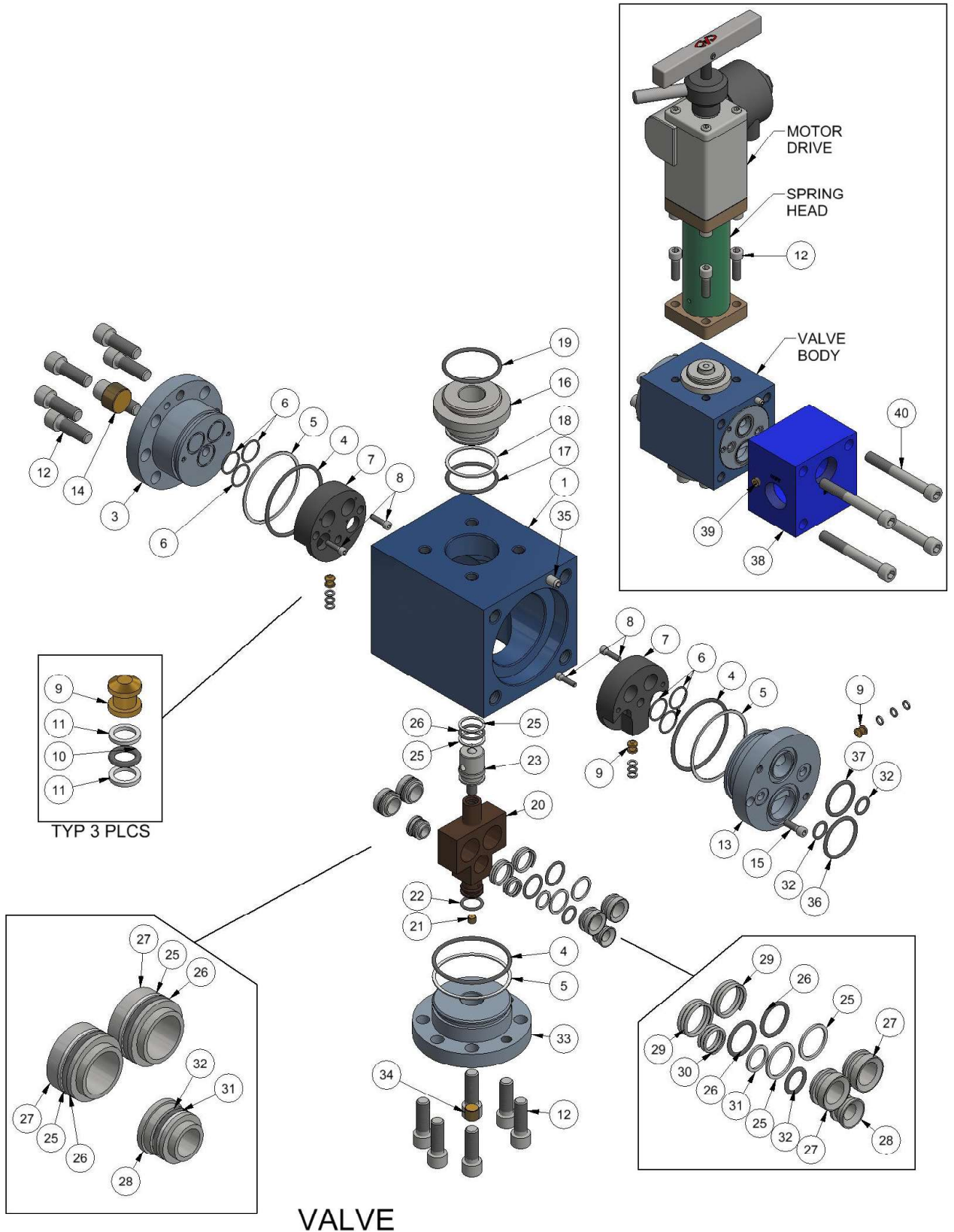
* Included in Repair Kit

** Included in Seal Kit

REGULATOR

1-1/2" FAIL SAFE MODEL C5 SERIES - 1500 PSI OUTPUT

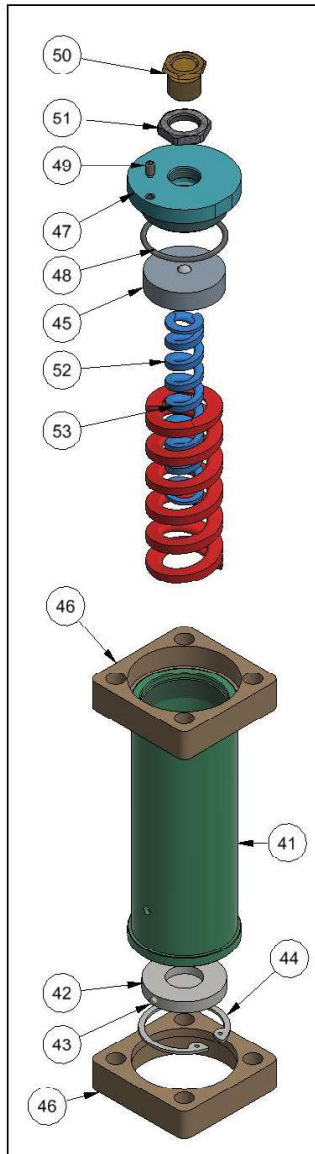
PRESSURE REGULATING & REDUCING VALVE



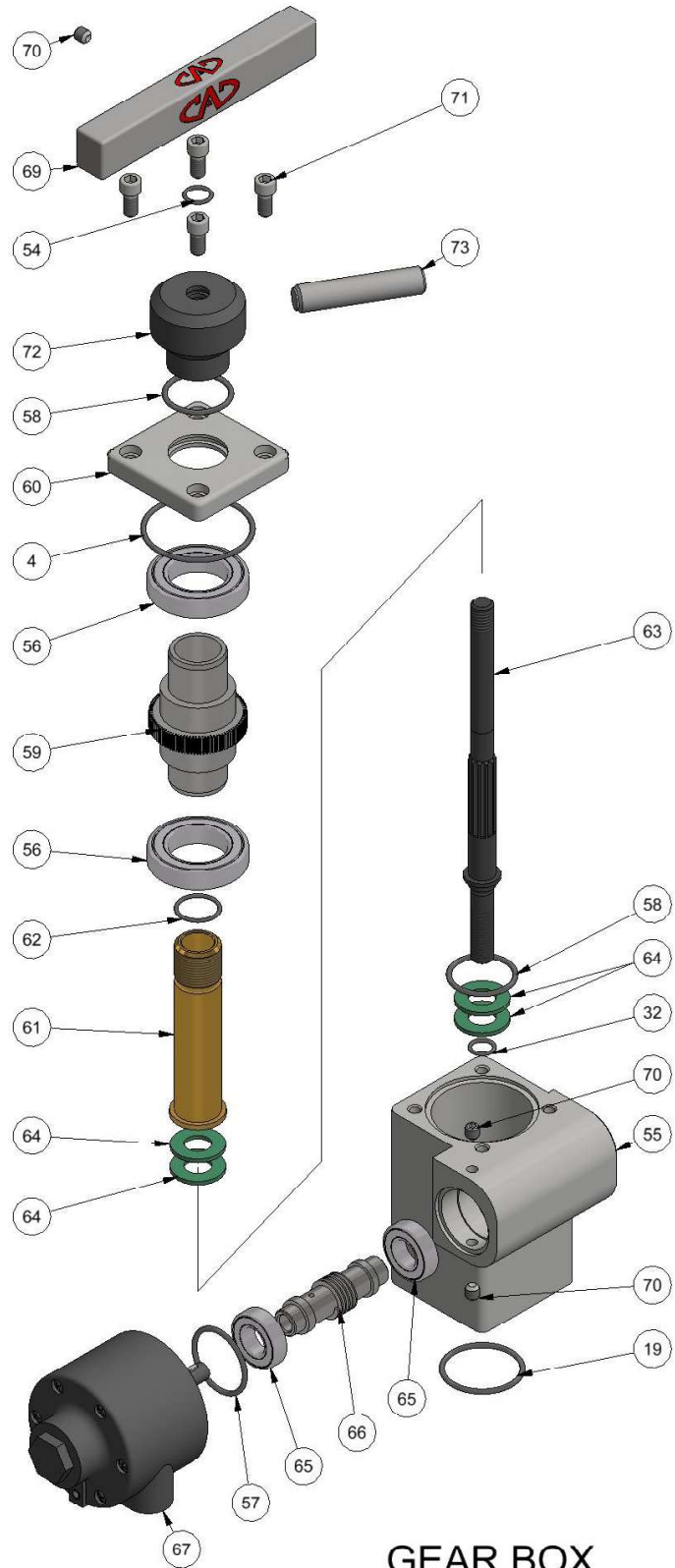
REGULATOR

1-1/2" FAIL SAFE MODEL C5 SERIES - 1500 PSI OUTPUT

PRESSURE REGULATING & REDUCING VALVE



SPRING HEAD



GEAR BOX

REGULATOR

1-1/2" FAIL SAFE MODEL C5 SERIES - 1500 PSI OUTPUT

PRESSURE REGULATING & REDUCING VALVE

Item	Description	Part No.	Qty
+	Regulator, Complete	40500100	

Item	Description	Part No.	Qty
Kit	Seal Kit (Included in Repair Kit)	40500997	-
Kit	Repair Kit	40500999	-
1	Body	40650465	1
2	Pin - Slotted Spring	40650463	1
3	Flange, Side	40650385	1
4**	O-Ring	N/A	4
5**	Back-Up Ring	N/A	3
6**	O-Ring	N/A	6
7*	Flow Plate	N/A	2
8*	Screw	N/A	4
9*	Plug, Seal	N/A	3
10**	O-Ring	N/A	3
11**	Back-Up Ring	N/A	6
12	Screw	40650250	20
13	Port Plate	40650355	1
14	Plug, Pipe, 3/4"	40650426	1
15	Screw	93025128	1
16	Piston Guide	40550060	1
17**	O-Ring	N/A	1
18**	Back-Up Ring	N/A	1
19**	O-Ring	N/A	2
20	Seal Container	40650105	1
21*	Plug, Seal Container	40650395	1
22**	O-Ring	N/A	1
23	Piston	40550018	1
24	Bearing	75150170	2
25**	Back-Up Ring	N/A	6
26**	O-Ring	N/A	5
27*	Seat, Inlet	N/A	4
28*	Seat, Vent	N/A	2
29*	Spring, Inlet Seat	N/A	2
30*	Spring, Vent Seat	N/A	1
31**	Back-Up Ring	N/A	2
32**	O-Ring	N/A	5
33	Flange, Bottom	40650415	1
34	Plug, Pipe, 1/4"	40650420	1
35	Pin - Slotted Spring	40650470	1
36**	O-Ring	N/A	1
37**	O-Ring	N/A	1
38	Subplate	40650340	1

Item	Description	Part No.	Qty
39	Plug, Pipe, 1/4"	40650420	1
40	Screw	93200165	4
41	Spring Tube	40550080	1
42	Spring Guide, Lower	40550075	1
43	Pin, Spring	N/A	1
44	Ring, Snap, Internal	40650452	1
45	Spring Guide, Upper	40550046	1
46	Flange, Head	40550050	2
47	Sealing Plug	40550070	1
48*	O-Ring	N/A	1
49	Screw, Set, Dog Point	40650235	1
50	Nut, Stop	40650455	1
51	Nut, Lock	40650460	1
52	Spring, Blue	40550051	1
53	Spring, Red	40550052	1
54*	O-Ring	N/A	1
55	Gear Box	N/A	1
56	Bearing	40650140	2
57*	O-Ring	N/A	1
58*	O-Ring	N/A	2
59	Gear, Adjustment	40650150	1
60	Flange, Gear Box, Upper	40650135	1
61	Sleeve, Adjustment	40650165	1
62*	O-Ring	N/A	1
63	Shaft, Adjustment	40550065	1
64	Washer, Thrust	40650170	4
65	Bearing	40650190	2
66	Gear, Adjustment	40650195	1
67	Motor, Air	40650101	1
68	Key, Woodruff, #404	N/A	1
69	Handle, Adjustment	40650110	1
70	Screw, Set	40650115	3
71	Screw	93200123	4
72	Body, Handle, Lock	40650125	1
73	Grip, Handle, Lock	40650127	1

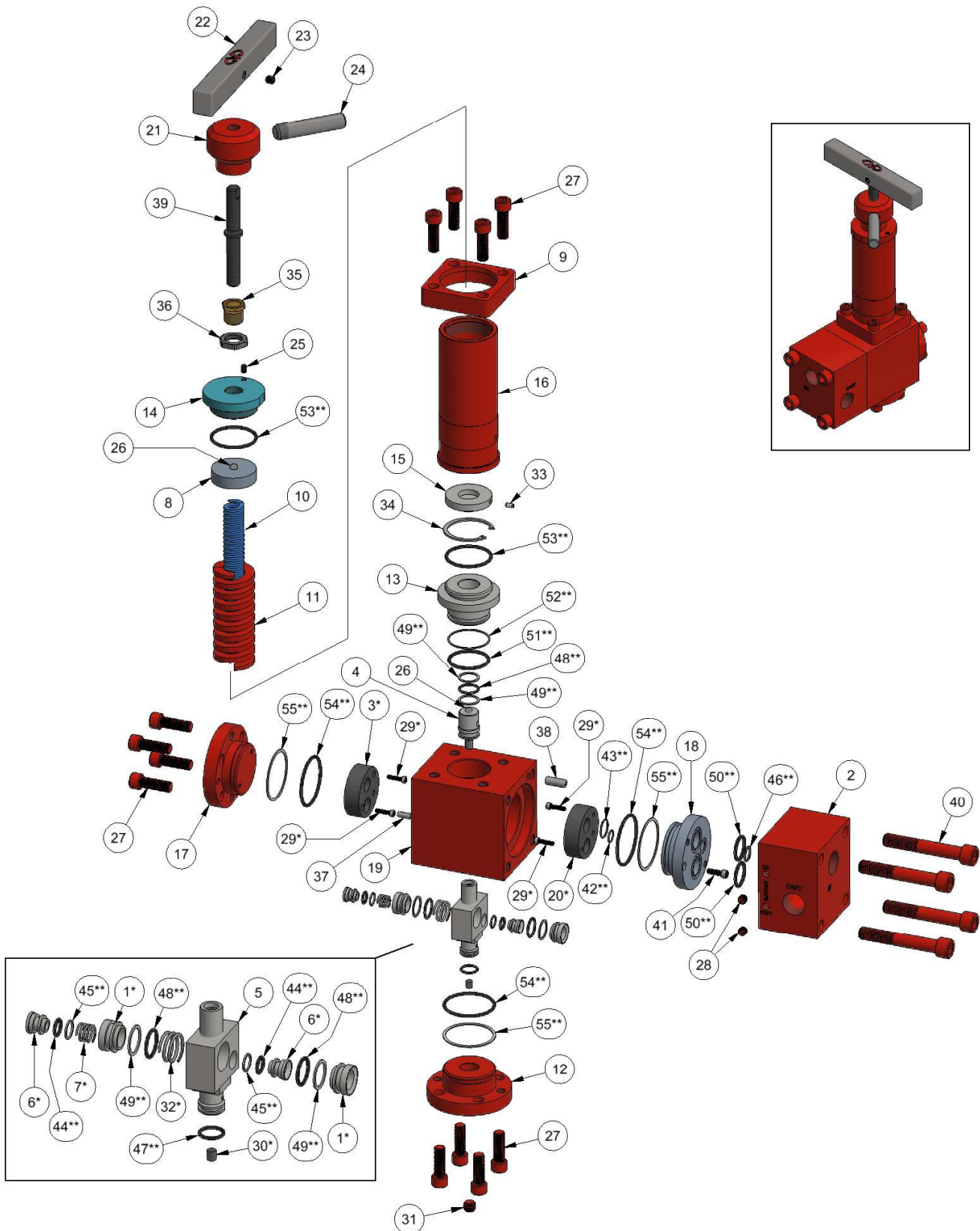
NOTE: N/A - Not sold separately

* Included in Repair Kit

** Included in Seal Kit

REGULATOR

1" MANUAL (4-SERIES) - 1500 PSI OUTPUT
PRESSURE REGULATING & REDUCING VALVE



REGULATOR

1" MANUAL (4-SERIES) - 1500 PSI OUTPUT
PRESSURE REGULATING & REDUCING VALVE

Item	Description	Part No.	Qty
+	Regulator, Complete	40550010	

Item	Description	Part No.	Qty	Item	Description	Part No.	Qty
Kit	Seal Kit (Included in Repair Kit)	40550997	-	38	Pin - Slotted Spring	N/A	1
Kit	Repair Kit	40550999	-	39	Shaft, Manual Adjustment	40651130	1
1*	Seat, Inlet	N/A	2	40	Screw	N/A	4
2	Subplate	40550013	1	41	Screw	93025128	1
3*	Flow Plate	N/A	1	42**	O-Ring	N/A	2
4	Piston	40550018	1	43**	O-Ring	N/A	2
5	Seal Container	40550020	1	44**	O-Ring	N/A	2
6*	Seat, Vent	N/A	2	45**	Back-Up Ring	N/A	2
7*	Spring, Vent Seat	N/A	1	46**	O-Ring	N/A	1
8	Spring Guide, Upper	40550046	1	47**	O-Ring	N/A	1
9	Flange, Head	40550050	1	48**	O-Ring	N/A	3
10	Spring, Inner Compression	40550051	1	49**	O-Ring	N/A	4
11	Spring, Outer Compression	40550052	1	50**	O-Ring	N/A	2
12	Flange, Bottom	40550055	1	51**	O-Ring	N/A	1
13	Piston Guide	40550060	1	52**	O-Ring	N/A	1
14	Sealing Plug	40550070	1	53**	O-Ring	N/A	2
15	Spring Guide, Lower	40550075	1	54**	O-Ring	N/A	3
16	Spring Tube	40550080	1	55**	O-Ring	N/A	3
17	Flange, Side	40550085	1				
18	Port Plate	40550090	1				
19	Body	40550095	1				
20*	Flow Plate	N/A	1				
21	Body, Handle, Lock, Manual Drive	40557110	1				
22	Handle, Adjustment	40650110	1				
23	Screw, Set	40650115	1				
24	Grip, Handle, Lock	40650127	1				
25	Screw, Set, Dog Point	40650235	1				
26	Bearing, Ball	40650141	2				
27	Screw	40650250	12				
28	Plug, Hex Socket	40650342	2				
29*	Screw	N/A	4				
30*+	Plug, Seal Container (.060 orifice - oil)	40650395	1				
30*+	Plug, Seal Container (.030 orifice - water)	40650396-SO	1				
31	Plug, Pipe	40650420	1				
32*	Spring, Inlet Seat	N/A	1				
33	Pin, Spring	40650451	1				
34	Ring, Snap, Internal	4065452-SO	1				
35	Nut, Stop	40650455	1				
36	Nut, Lock	N/A	1				
37	Pin - Slotted Spring	N/A	1				

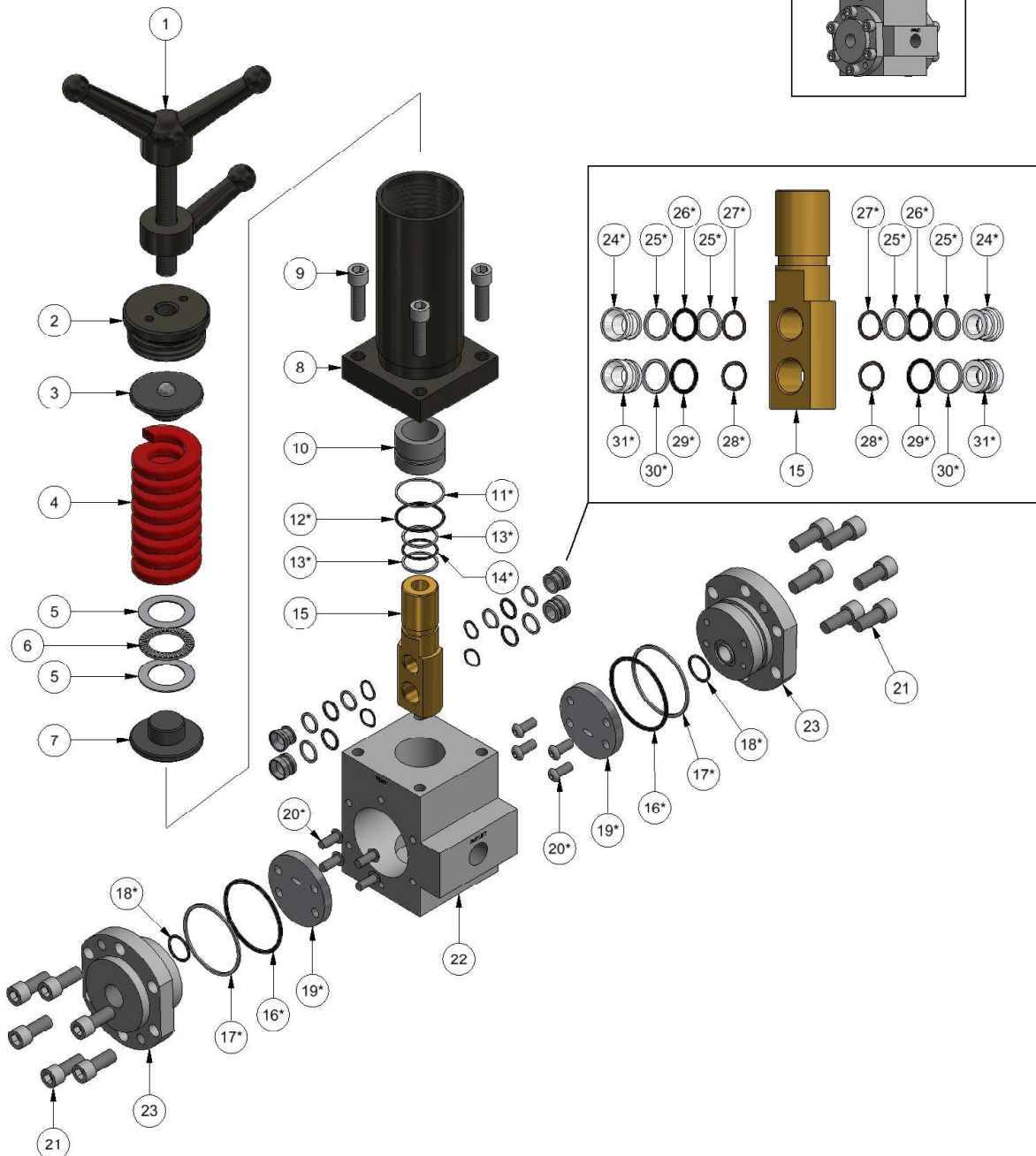
NOTE: N/A - Not sold separately

* Included in Repair Kit

** Included in Seal Kit

REGULATOR

1/2" MANUAL MODEL B
Pressure Regulating & Reducing Valve



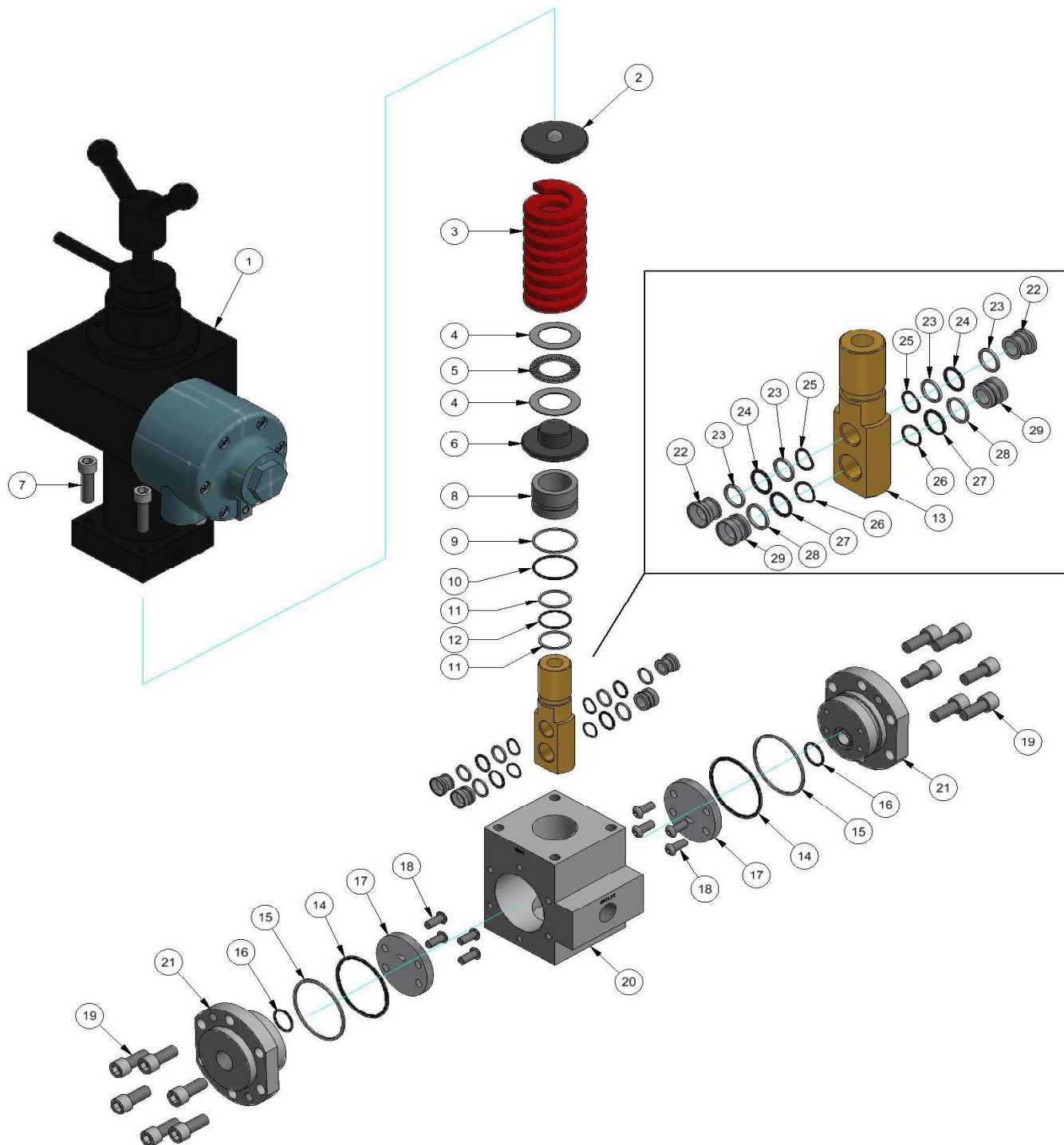
Item	Description	1/2"	Qty
+	Regulator, Complete	40550100	

Item	Description	1/2"	Qty
Kit	Repair Kit	40550299	
1	Handle Assembly	40550105	1
2	Sealing Plug	40550110	1
3	Spring Guide	40550115	1
4	Spring	40550120	1
5	Thrust Washer	40550125	2
6	Thrust Bearing	40550130	1
7	Spring Gland	40550135	1
8	Adjustment Head	40550140	1
9	Screw	40550145	4
10	Slide	40550150	1
11*	Back-Up Ring	40550160	1
12*	O-Ring	40550170	1
13*	Back-Up Ring	40550180	2
14*	O-Ring	40550185	1
15	Seal Container	40550190	1
16*	O-Ring	40550195	2
17*	Back-Up Ring	40550200	2
18*	O-Ring	40550205	2
19*	Plate, Wear	40550210	2
20*	Screw, Plate	40550215	8
21	Screw	40550220	12
22	Body	40550225	1
23	Flange, Vent/Inlet (1/2" NPT)	40550230	2
24*	Pressure Seal, Vent	40550235	2
25*	Backup Ring, Vent P.S.	40550240	4
26*	O-Ring, Vent P.S.	40550245	2
27*	Washer Spring, Vent	40550250	2
28*	Washer Spring, Inlet	40550255	2
29*	O-Ring, Inlet	40550260	2
30*	Back-Up Ring, Inlet	40550265	2
31*	Pressure Seal, Inlet	40550270	2

* Included in Repair Kit

REGULATOR

1/2" FAILSAFE
Pressure Regulating & Reducing Valve



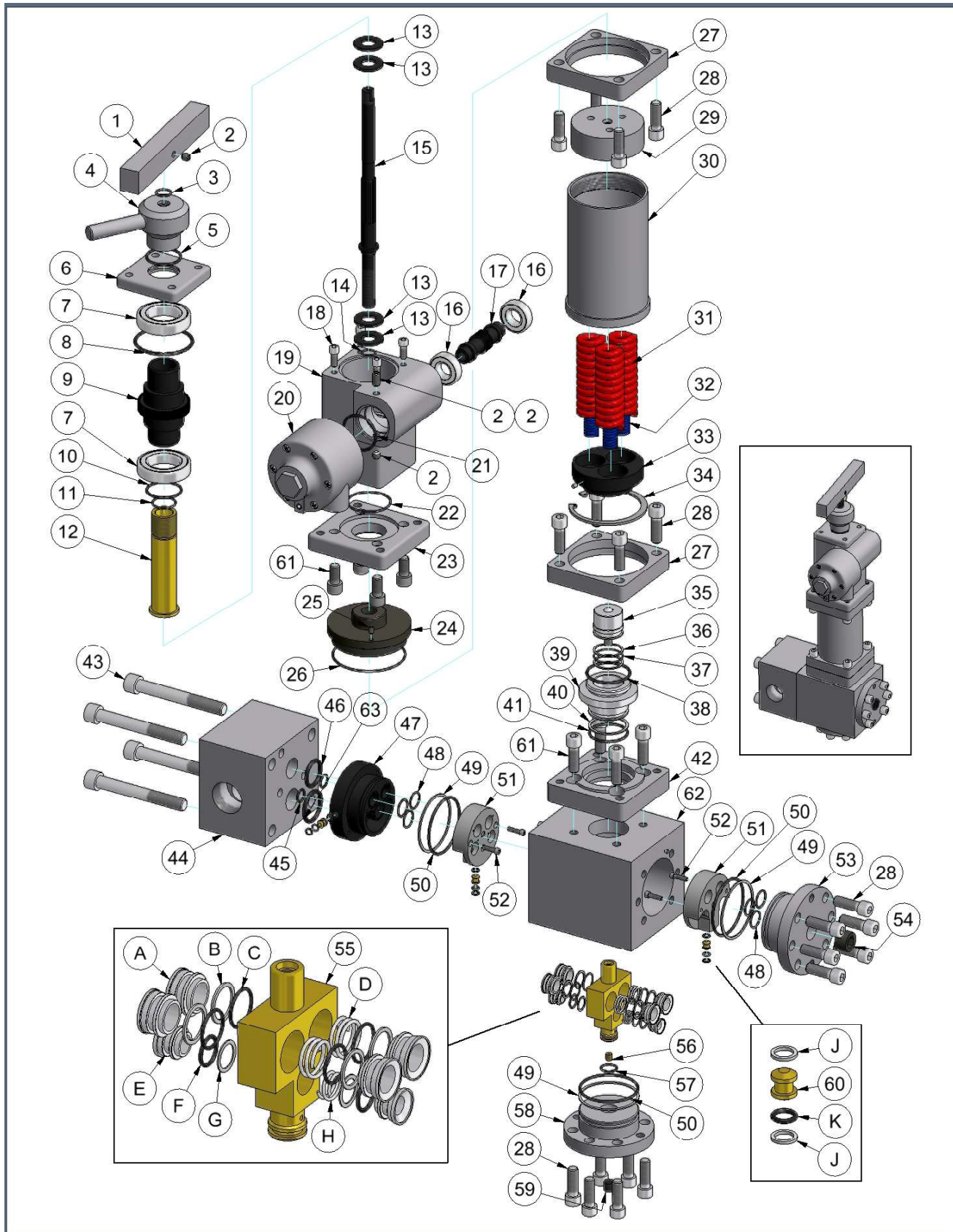
Item	Description	1/2"	Qty
+	Regulator, Complete	40560100	
+	Regulator, Complete - Low Dead Ban	40570100	
Item	Description	1/2"	Qty
Kit	Repair Kit	40550299	
1	Actuator Motor Assembly	N/A	1
2	Spring Guide	40550115	1
3	Spring	40550120	1
4	Thrust Washer	40550125	2
5	Thrust Bearing	40550130	1
6	Spring Gland	40550135	1
7	Screw	40550145	4
8	Slide	40550150	1
9*	Backup Ring	40550160	1
10*	O-Ring	40550170	1
11*	Back-Up Ring	40550180	2
12*	O-Ring	40550185	1
13	Seal Container	40550190	1
14*	O-Ring	40550195	2
15*	Backup Ring	40550200	2
16*	O-Ring	40550205	2
17*	Plate, Wear	40550210	2
18*	Screw, Plate	40550215	8
19	Screw	40550220	12
20	Body	40550225	1
21	Flange, Vent/Inlet (1/2" NPT)	40550230	2
22*	Pressure Seal, Vent	40550235	2
23*	Backup Ring, Vent P.S.	40550240	4
24*	O-Ring, Vent P.S.	40550245	2
25*	Washer Spring, Vent	40550250	2
26*	Washer Spring, Inlet	40550255	2
27*	O-Ring, Inlet	40550260	2
28*	Back-Up Ring, Inlet	40550265	2
29*	Pressure Seal, Inlet	40550270	2

* Included in Repair Kit

N/A - Contact CAD for replacement parts

REGULATOR

1-1/2" FAIL SAFE MODEL C SERIES LD - 1500 PSI OUTPUT



Item	Description	Part No.	Qty
+	Regulator, Complete	40650100	

Item	Description	Part No.	Qty	Item	Description	Part No.	Qty
Kit	Seal Kit (Included in Repair Kit)	40650997		39	Piston Guide	40650315	1
Kit	Repair Kit	40650999		40**	Backup Ring	N/A	1
1	Adjustment Handle	40650110	1	41**	O-Ring	N/A	1
2	Set Screw	40650115	4	42	Mounting Flange, Adjustment Tube	40650330	1
3	O-Ring - Lock Handle	N/A	1	43	Socket Head Cap Screw	40650335	4
4	Lock Handle	40650125	1	44	Sub-plate	40650340	1
5	O-Ring - Gear Box Flange	N/A	1	45**	O-Ring	N/A	1
6	Upper Gear Box Flange	40650135	1	46**	O-Ring	N/A	1
7	Bearing	40650140	2	47	Port Plate	40650355	1
8**	O-Ring	N/A	1	48**	O-Ring	N/A	6
9	Adjustment Gear, Driven	40650150	1	49**	Backup Ring	N/A	3
10**	O-Ring	N/A	1	50**	O-Ring	N/A	3
11**	O-Ring	N/A	1	51*	Flow Plate	40650375	2
12	Adjustment Sleeve	40650165	1	52*	Socket Head Cap Screw	40650380	4
13	Thrust Washer	40650170	4	53	Flange	40650385	1
14**	O-Ring	N/A	1	54	Flange Plug	40650426	1
15	Adjustment Shaft	40650185	1	55	Seal Container	40650105	1
16	Bearing	40650190	2	56*	Plug	40650395	1
17	Adjustment Gear, Drive	40650195	1	57**	O-Ring	N/A	1
18	Socket Head Cap Screw	40650200	4	58	Flange, Bottom	40650415	1
19	Gear Box	40650205	1	59	Plug	40650420	1
20	Motor	40650101	1	60*	Plug	N/A	3
21**	O-Ring	N/A	1	61	Socket Head Cap Screw	40650430	8
22**	O-Ring	N/A	1	62	Body	40650465	1
23	Gear Box Flange, Lower	40650225	1	63	O-Ring	N/A	1
24	Sealing Plug	40650230	1	64*	Seal Ring	N/A	4
25	Set Screw	40650235	1	65**	Backup Ring	N/A	4
26**	O-Ring	N/A	1	66**	O-Ring	N/A	4
27	Sealing Plug Flange	40650245	2	67*	Spring	N/A	2
28	Socket Head Cap Screw	40650250	16	68*	Seal Ring	N/A	2
29	Spring Guide, Upper	40650255	1	69**	O-Ring	N/A	2
30	Adjustment Head Tube	40650260	1	70**	Backup Ring	N/A	2
31	Compression Spring	40650265	3	71*	Spring	N/A	1
32	Inner Spring	40650270	3	72**	Backup Ring	N/A	2
33	Spring Guide, Lower	40650280	1	73**	O-Ring	N/A	1
34	Clip Ring	40650285	1				
35	Piston	40650295	1				
36**	Backup Ring	N/A	2				
37**	O-Ring	N/A	1				
38**	O-Ring	N/A	1				

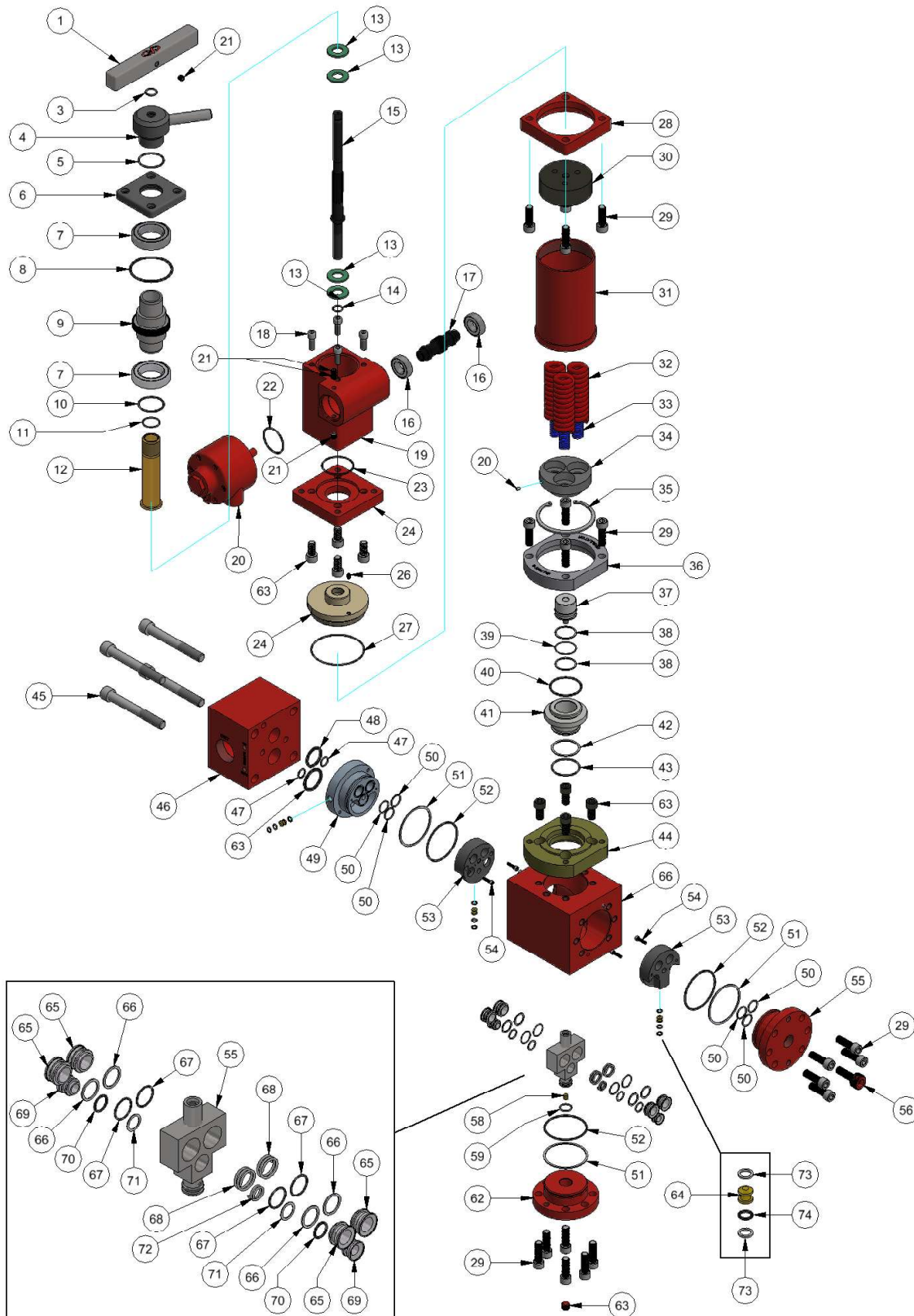
NOTE: N/A - Not sold separately

* Included in Repair Kit

** Included in Seal Kit

REGULATOR

1-1/2" FAILSAFE MODEL C SERIES LD - 3000 PSI OUTPUT

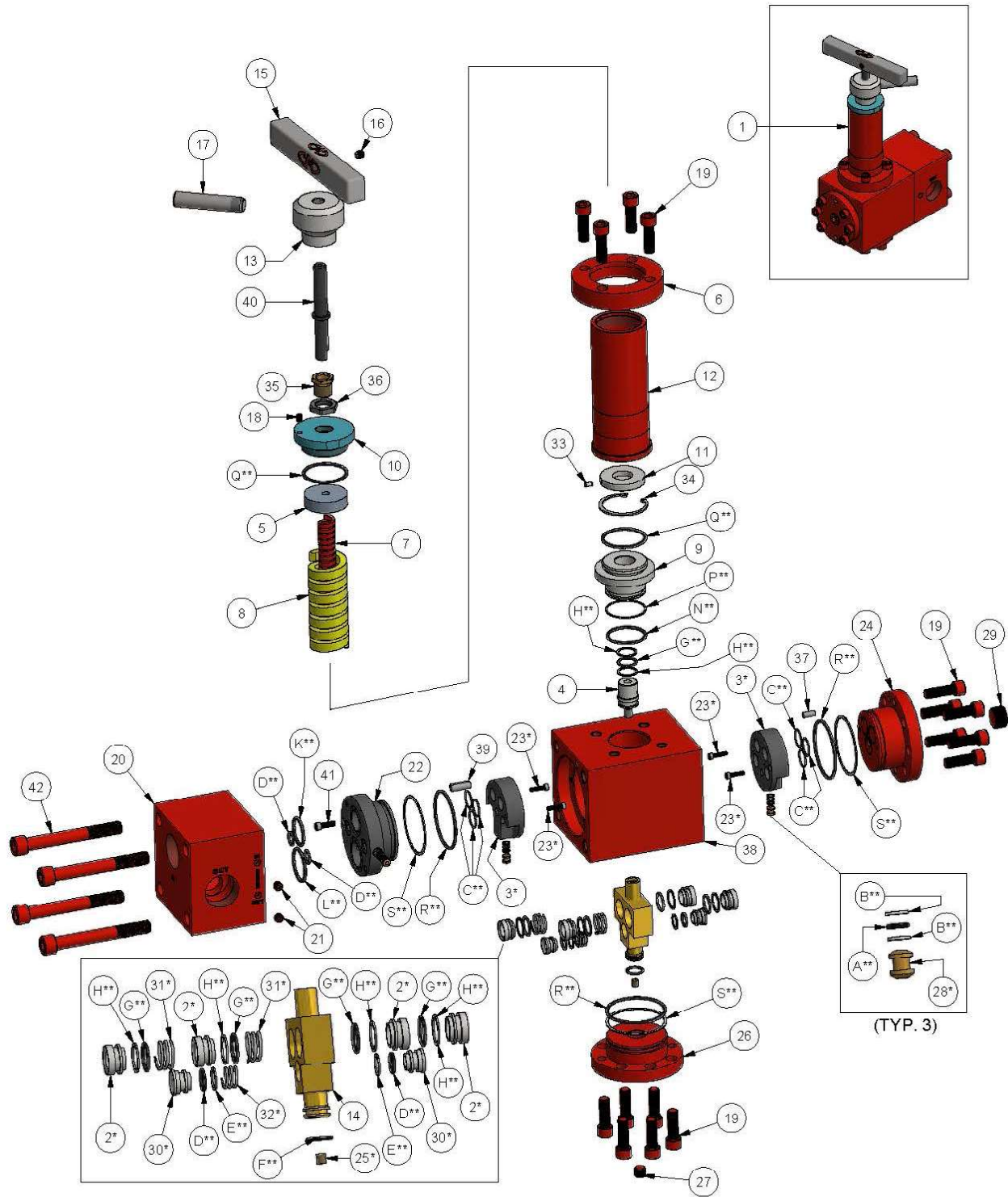


Item	Description	Part No.	Qty
+	Regulator, Complete	40651100	

Item	Description	Part No.	Qty	Item	Description	Part No.	Qty
Kit	Seal Kit (Included in Repair Kit)			39*	O-Ring	40650305	1
Kit	Repair Kit	40650999		40*	O-Ring	40650310	1
1	Adjustment Handle	40650110	1	41	Piston Guide	40650315	1
2	Set Screw	40650115	1	42*	Backup Ring	40650320	1
3	O-Ring	40650120	1	43*	O-Ring	40650325	1
4	Lock Handle	40650125	1	44	Mounting Flange, Adjustment Tube	40651125	1
5	O-Ring	40650130	1	45	Socket Head Cap Screw	40650335	4
6	Upper Gear Box Flange	40650135	1	46	Sub-Plate	40650340	1
7	Bearing	40650140	2	47*	O-Ring	40650345	2
8	O-Ring	40650145	1	48*	O-Ring	40650350	2
9	Adjustment Gear, Driven	40650150	1	49	Port Plate	40650355	1
10	O-Ring	40650155	1	50*	O-Ring	N/A	6
11	O-Ring	40650160	1	51*	Backup Ring	N/A	3
12	Adjustment Sleeve	40650165	1	52*	O-Ring	40650370	3
13	Thrust Washer	40650170	4	53*	Flow Plate	40650375	2
14	O-Ring	40650180	1	54*	Socket Head Cap Screw	40650380	4
15	Adjustment Shaft	40651130	1	55	Flange	40650385	1
16	Bearing	40650190	2	56	Flange Plug	40650390	1
17	Adjustment Gear, Drive	40650195	1	57	Seal Container	40650105	1
18	Socket Head Cap Screw	40650200	4	58*	Plug	40650395	1
19	Gear Box	40650205	1	59*	O-Ring	40650400	1
20	Motor, Pneumatic	40650101	1	60	Bottom Flange	40650415	1
21	Set Screw	40650210	1	61	Plug	40650420	1
22	O-Ring	40650215	1	62*	Plug	40650425	1
23	O-Ring	40650220	1	63	Socket Head Cap Screw	40650430	4
24	Gear Box Flange, Lower	40650225	1	64	Body	NPN	1
25	Sealing Plug	40650230	1	65*	Seal Ring	NPN	4
26	Set Screw	40650235	1	66*	Back-Up Ring	NPN	4
27	O-Ring	40650240	1	67*	O-Ring	NPN	4
28	Sealing Plug Flange	40650245	1	68*	Spring	NPN	2
29	Socket Head Cap Screw	40650250	20	69*	Seal Ring	NPN	2
30	Spring Guide, Upper	40650255	1	70*	O-Ring	NPN	2
31	Adjustment Head Tube	40651115	1	71*	Back-Up Ring	NPN	2
32	Compression Spring	40651105	3	72*	Spring	NPN	1
33	Inner Spring	40651110	3	73*	Back-Up Ring	NPN	2
34	Spring Guide, Lower	40650280	1	74*	O-Ring	NPN	1
35	Clip Ring	40650285	1	NOTE: N/A - Not sold separately			
36	Lower Flange, Adjustment Head	40651120	1	* Included in Repair Kit			
37	Piston	40650295	1				
38*	Backup Ring	40650300	2				

REGULATOR

1-1/2" MANUAL MODEL C SERIES - 3000 PSI OUTPUT



Item	Description	Part No.	Qty
+	Regulator, Complete	40915100	

Item	Description	Part No.	Qty
Kit	Seal Kit (Included in Repair Kit)		
Kit	Repair Kit	40650999	
1	Adjustment Handle	40650110	1
2	Set Screw	40650115	1
3	O-Ring	40650120	1
4	Lock Handle	40650125	1
5	O-Ring	40650130	1
6	Upper Gear Box Flange	40650135	1
7	Bearing	40650140	2
8	O-Ring	40650145	1
9	Adjustment Gear, Driven	40650150	1
10	O-Ring	40650155	1
11	O-Ring	40650160	1
12	Adjustment Sleeve	40650165	1
13	Spacer, Adjustment Gear	40650170	4
14	O-Ring	40650180	1
15	Adjustment Shaft	40651130	1
16	Bearing	40650190	2
17	Adjustment Gear, Drive	40650195	1
18	Socket Head Cap Screw	40650200	4
19	Gear Box	40650205	1
20	Motor	40650101	1
21	Set Screw	40650210	1
22	O-Ring	40650215	1
23	O-Ring	40650220	1
24	Gear Box Flange, Lower	40650225	1
25	Sealing Plug	40650230	1
26	Set Screw	40650235	1
27	O-Ring	40650240	1
28	Sealing Plug Flange	40650245	1
29	Socket Head Cap Screw	40651120	20
30	Spring Guide, Upper	40650255	1
31	Adjustment Head Tube	40651115	1
32	Compression Spring	40651105	3
33	Inner Spring	40651110	3
34	Spring Guide, Lower	40650280	1
35	Clip Ring	40650285	1
36	Lower Flange, Adjustment Head	40651125	1
37	Piston	40650295	1
38*	Backup Ring	40650300	2

Item	Description	Part No.	Qty
39*	O-Ring	40650305	1
40*	O-Ring	40650310	1
41	Piston Guide	40650315	1
42*	Backup Ring	40650320	1
43*	O-Ring	40650325	1
44	Mounting Flange, Adjustment Tube	40651125	1
45	Socket Head Cap Screw	40650335	4
46	Sub-Plate	40650340	1
47*	O-Ring	40650345	2
48*	O-Ring	40650350	2
49	Port Plate	40650355	1
50*	O-Ring	40650360	6
51*	Backup Ring	40650365	3
52*	O-Ring	40650370	3
53*	Flow Plate	40650375	2
54*	Socket Head Cap Screw	40650380	4
55	Flange	40650385	1
56	Flange Plug	40650390	1
57	Seal Container	40650105	1
58*	Plug	40650395	1
59*	O-Ring	40650400	1
60	Bottom Flange	40650415	1
61	Plug	40650420	1
62*	Plug	40650425	1
63	Socket Head Cap Screw	40650430	4
64	Body	NPN	1
A*	Seal Ring	NPN	4
B*	Back-Up Ring	NPN	4
C*	O-Ring	NPN	4
D*	Spring	NPN	2
E*	Seal Ring	NPN	2
F*	O-Ring	NPN	2
G*	Back-Up Ring	NPN	2
H*	Spring	NPN	1
J*	Back-Up Ring	NPN	2
K*	O-Ring	NPN	1

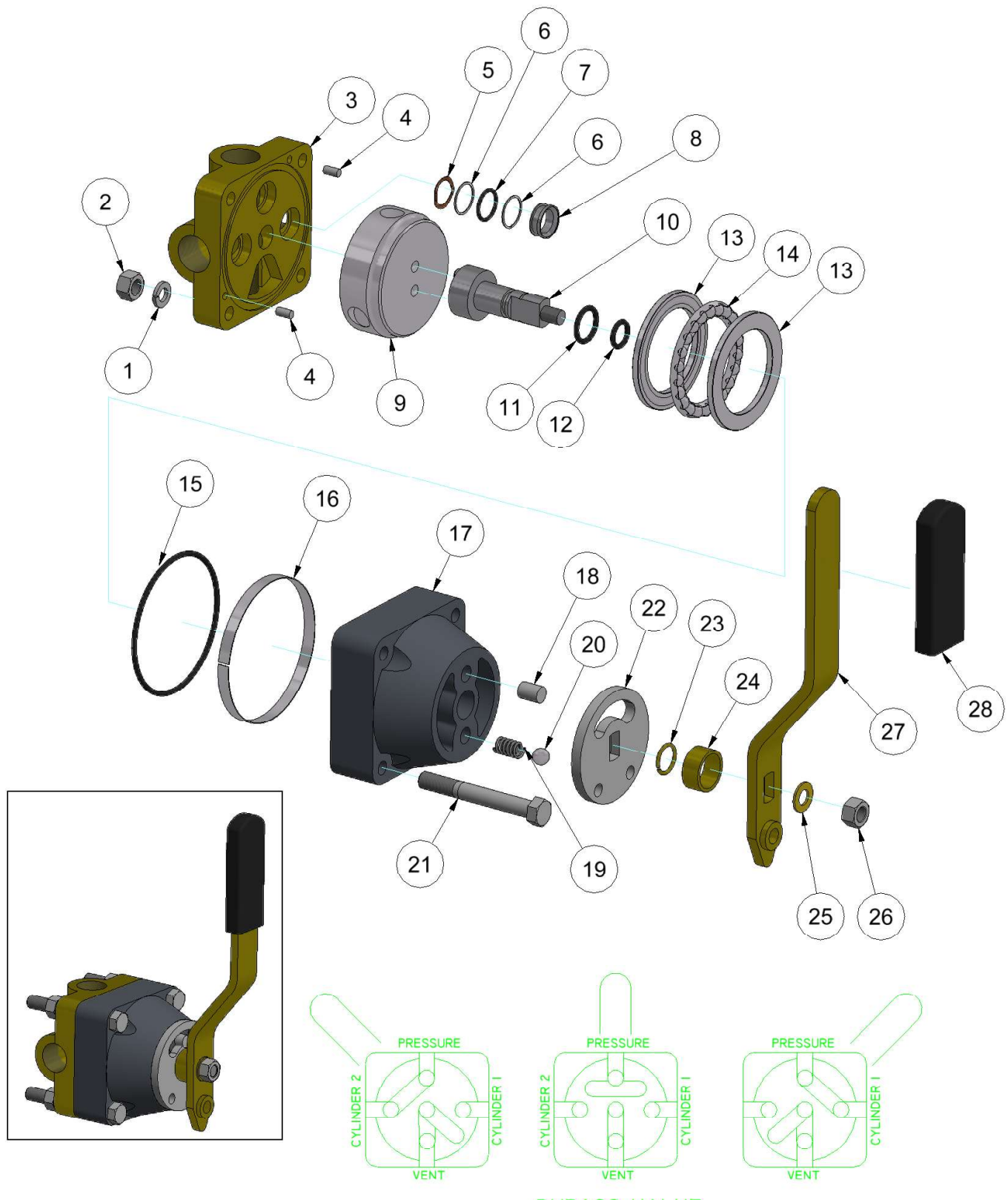
* Included in Repair Kit



VALVES

4-WAY VALVE

1/2" & 1" By-Pass 3,000 PSI



4-WAY VALVE

1/2" & 1" BY-PASS 3,000 PSI

Item	Description	1/2"	Qty.	1"	Qty.
+	Valve, Complete	75310100		75100100	

Item	Description	1/2"	Qty.	1"	Qty.
Kit	Seal Kit (Included in Repair Kit)	75300997		75100997	
Kit	Repair Kit, Minor (Also in Major Repair Kit)	N/A		75100998	
Kit	Repair Kit, Major	75310999		75100999	
1	Lockwasher	75300106	4	75150105	4
2	Nut	75300112	4	75150110	4
3	Body	75300118	1	75150115	1
4†	Dowel Pin	75300124	2	75150120	2
5**	Washer, Spring	75300130	3	75150125	3
6**	Back-Up Ring	75300136	6	75150130	6
7**	O-Ring	75300142	3	75150135	3
8**	Shear Seal Seat	75300148	3	75150140	3
9*	Rotor	75310105	1	75100120	1
10	Shaft	75300162	1	75150150	1
11**	O-Ring	75300168	1	75150155	1
12**	O-Ring	75300169		75150160	1
13*	Thrust Washer	75300174	2	75150165	2
14*	Ball Bearing	75300180	20	75150166	1
15**	O-Ring	75300186	1	75150175	1
16	Anti-Velocity Ring	75300192	1	75150180	1
17	Housing	75300198	1	75150185	1
18	Stop Pin	75300204	1	75150190	1
19	Spring, Detent	75300210	1	75150195	1
20	Ball, Detent	75300216	1	75150206	1
21	Screw	75300222	4	75150116	4
22	Disc, Detent	75300228	1	75100105	1
23	Retaining Ring	75300234	1	75150207	1
24	Spacer, Handle	75300240	1	75150111	1
25	Washer, Shaft	75300246	1	75150208	1
26	Nut, Shaft	75300252	1	75150209	1
27	Handle	75300258	1	75150112	1
28	Grip, Handle	75300264	1	75150218	1

(†) Included with Item 3, Body.

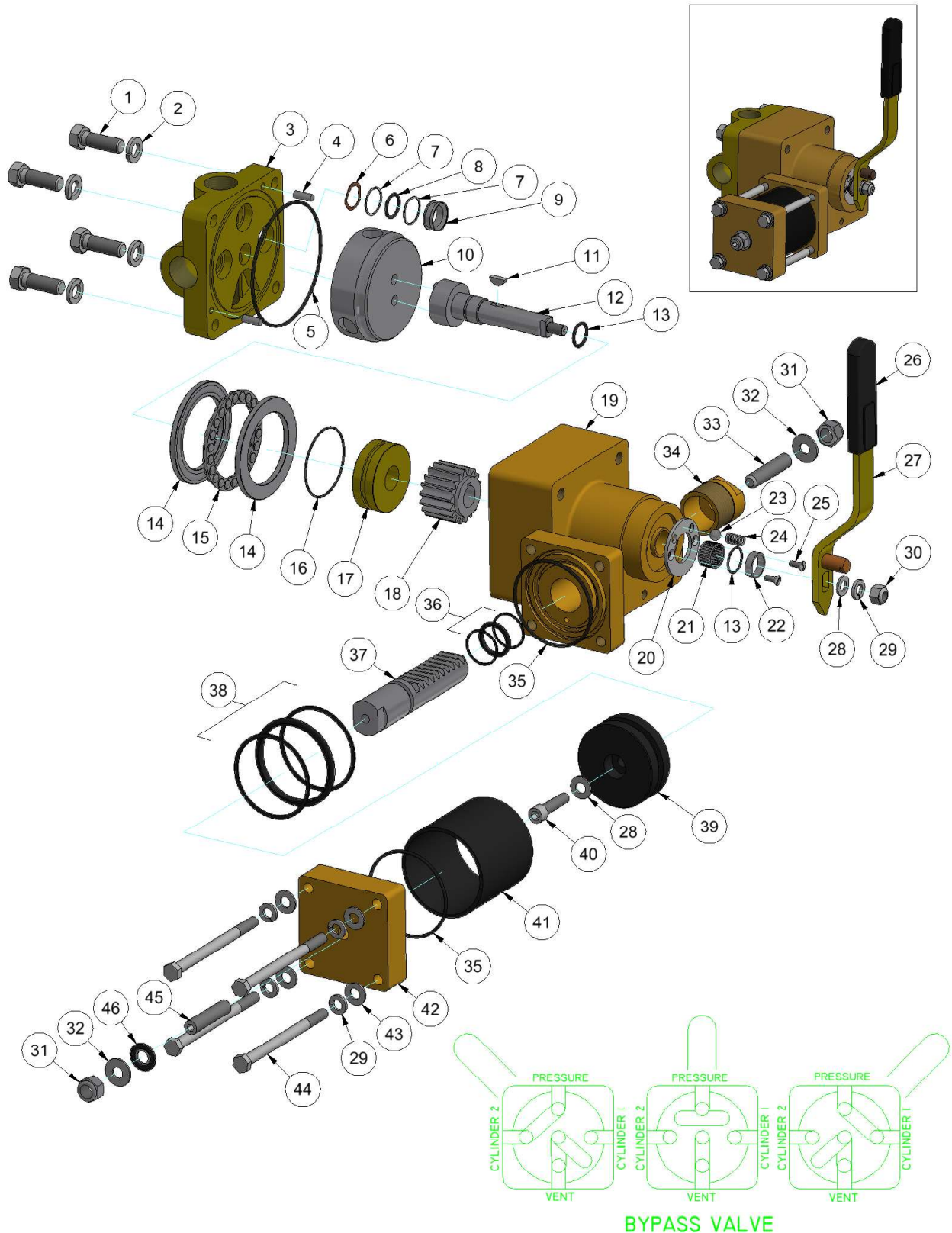
* Included in Repair Kit, Major

** Included in Seal Kit

SPECIAL NOTE: Minor Repair Kit consists of the Seal Kit and Rotor only

4-WAY VALVE

1" BY-PASS 3,000 PSI
with Integral Remote Cylinder



4-WAY VALVE

1" BY-PASS 3,000 PSI
with Integral Remote Cylinder

Item	Description	1"	Qty.
+	Valve, Complete	75850100	

Item	Description	1"	Qty.
Kit	Seal Kit (Included in Repair Kit)	75150997	
Kit	Repair Kit, Minor (Also in Major Repair Kit)	75100998	
Kit	Repair Kit, Major	75100999	
1	Screw, S.S. Hex Head	75800215	4
2	Lockwasher, S.S. Body	75800210	4
3	Body	75150115	1
4†	Groove Pin, Body-Housing	75800260	2
5**	O-Ring	75800120	1
6**	Washer, Spring	75800305	3
7**	Back-Up Ring	75800115	6
8**	O-Ring	75800110	3
9**	Pressure Seal Shear Seal Seat	75800105	3
10*	Rotor	75100120	1
11	Key, Woodruff	75800150	1
12	Shaft	75800125	1
13	O-Ring	75800285	2
14*	Thrust Washer	75150165	2
15*	Ball Bearing (Set)	75150166	1
16	O-Ring	75800140	1
17	Bushing, Shaft	75800135	1
18	Gear, Pinion	75800145	1
19	Housing	75800160	1
20	Detent Disc	75800310	1
21	Bearing	75800155	1
22	Bushing, Handle	75800195	1
23	Ball, Detent	75800280	1
24	Spring, Ball Detent	75800265	1
25	Screw, S.S. Flat Head	75800315	2
26	Grip, Handle	75800255	1
27	Handle Assembly	75800200	1
28	Washer	75800205	2
29	Lockwasher, S.S.	75800235	5
30	Nut, Self-Locking	75800295	1
31	Nut, Self-Locking	75800220	2
32	Washer	75800250	2
33	Set Screw, Socket Head, Stop	75800245	1
34	Fitting	75800320	1.

Item	Description	1"	Qty.
35	O-Ring	75800175	2
36	T-Seal, Actuator	75800270	1
37	Rack, Actuator	75800185	1
38	T-Seal, Piston	75800275	1
39	Piston	75800180	1
40	Screw, S.S. Socket Head, Piston	75800240	1
41	Cylinder	75800165	1
42	Plate, End Cylinder	75800170	1
43	Washer	75800230	4
44	Screw, S.S. Hex Head	75800190	4
45	Set Screw, Socket Head, Stop	75800300	1
46	Seal Thread	75800290	1

(†) Included with Item 3, Body.

* Included in Repair Kit, Major

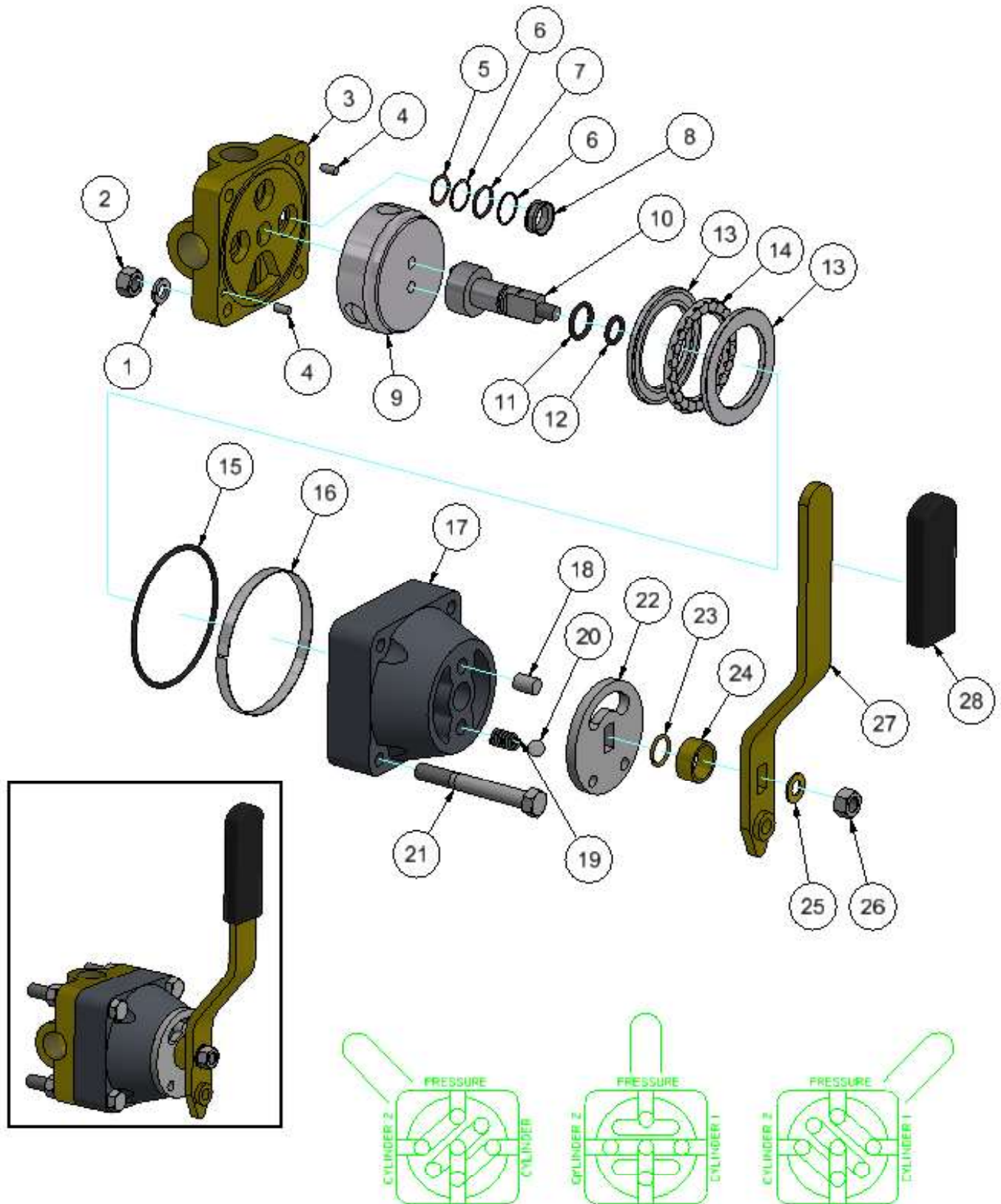
** Included in Seal Kit

SPECIAL NOTE:

Minor Repair Kit consists of the Seal Kit and Rotor only

4-WAY VALVE

1/4" & 1/2" & 1" MANIPULATOR 3,000 PSI



4-WAY VALVE

1/4" & 1/2" & 1" MANIPULATOR 3,000 PSI

Item	Description	1/4"	Qty	1/2"	Qty	1"	Qty
+	Vavle, Complete-3,000 PSI	75400100		75320100		75350100	

Item	Description	1/4"	Qty	1/2"	Qty	1"	Qty
Kit	Seal Kit (Included in Repair Kit)	75250997		75300997		75350997	
Kit	Repair Kit, Minor (Also in Major Repair Kit)	N/A		N/A		75350998	
Kit	Repair Kit, Major	75400999		75320999		75350999	
1	Lockwasher	75250110	4	75300106	4	75150105	4
2	Nut	75250115	4	75300112	4	75150110	4
3	Body	75250120	1	75300118	1	75150115	1
4†	Dowel Pin	75250125	2	75300124	2	75150120	2
5**	Washer, Spring	75250130	3	75300130	3	75150125	3
6**	Back-Up Ring	75250135	3	75300136	6	75150130	6
7**	O-Ring	75250140	3	75300142	3	75150135	3
8**	Shear Seal Seat	75250145	3	75300148	3	75150140	3
9*	Rotor	75400105	1	75320105	1	75350105	1
10	Shaft	75250150	1	75300162	1	75150150	1
11**	O-Ring	75250155	1	75300168	1	75150155	1
12**	O-Ring	N/A		N/A		75150160	1
13*	Thrust Washer	75250160	1	75300174	2	75150165	2
14*	Ball Bearing (Set)	75250165	17	75300180	20	75150166	1
15**	O-Ring	75250170	1	75300186	1	75150175	1
16	Anti-Velocity Ring	75250175	1	75300192	1	75150180	1
17	Housing	75250180	1	75300198	1	75150185	1
18	Stop Pin	75250185	1	75300204	1	75150190	1
19	Spring, Detent	75250190	1	75300210	1	75150195	1
20	Ball, Detent	75250195	1	75300216	1	75150205	1
21	Screw	75250200	4	75300222	4	75150116	4
22	Disc, Detent	75250205	1	75300228	1	75150206	1
23	Retaining Ring	75250210	1	75300234	1	75150207	1
24	Spacer, Handle	75250215	1	75300240	1	75150111	1
25	Washer, Shaft	75250220	1	75300246	1	75150208	1
26	Nut, Shaft	75250225	1	75300252	1	75150209	1
27	Handle	75250230	1	75300258	1	75150112	1
28	Grip, Handle	75250235	1	75300264	1	75150218	1

(†) Included with Item 3, Body.

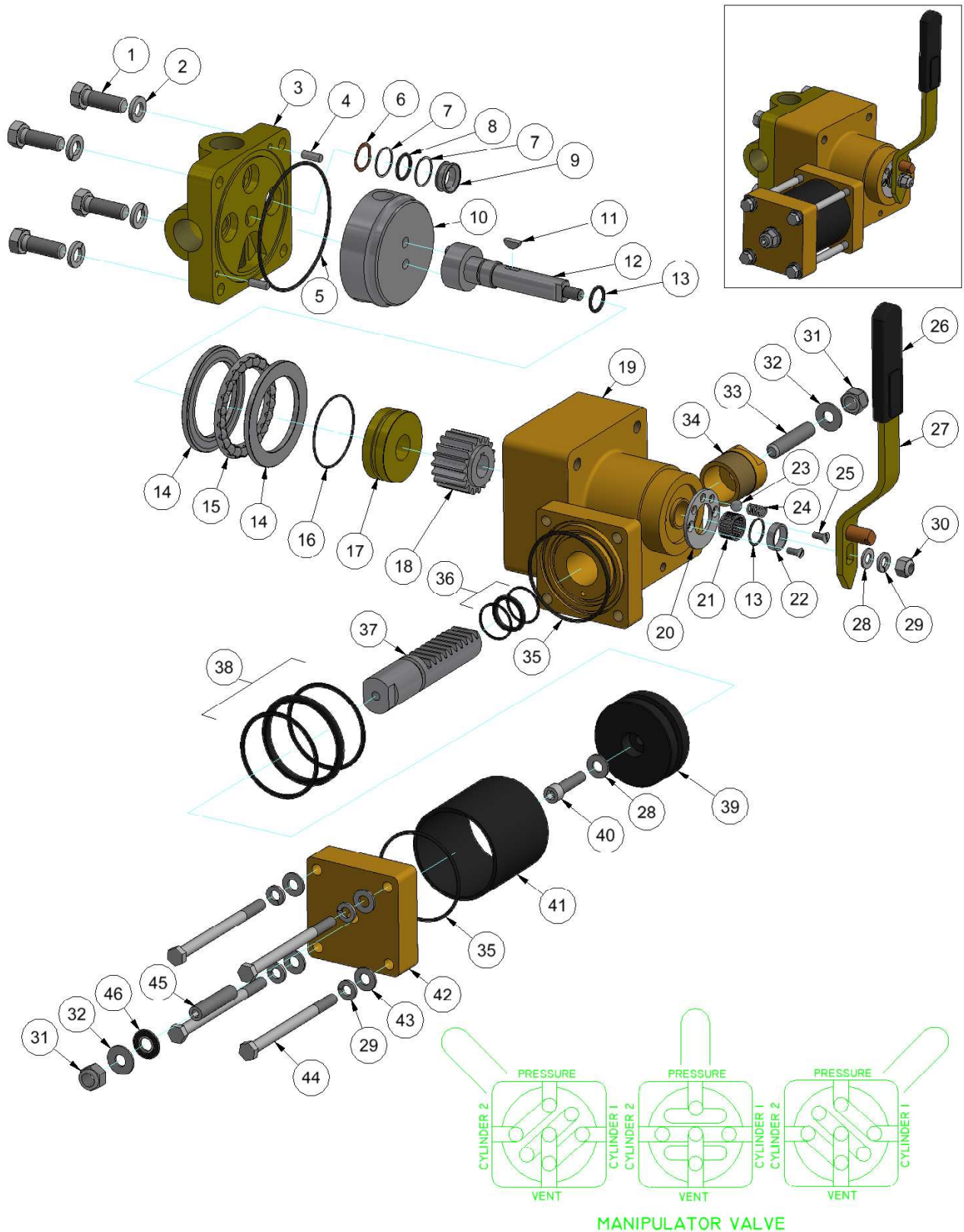
* Included in Repair Kit, Major

** Included in Seal Kit

SPECIAL NOTE: Minor Repair Kit consists of the Seal Kit and Rotor only

4-WAY VALVE

1" MANIPULATOR 3,000 PSI
with Integral Remote Cylinder



4-WAY VALVE

1" MANIPULATOR 3,000 PSI
with Integral Remote Cylinder

Item	Description	Part No.	Qty
+	1" Valve, Complete	75860100	

Item	Description	1"	Qty
Kit	Seal Kit (Included in Repair Kit)	75150997	
Kit	Repair Kit, Minor (Also in Major Repair Kit)	75150998	
Kit	Repair Kit, Major	75150999	
1	Screw, S.S. Hex Head	75800215	4
2	Lockwasher, S.S. Body	75800210	4
3	Body	75150115	1
4†	Groove Pin, Body-Housing	75800260	2
5**	O-Ring	75800120	1
6**	Washer, Spring	75800305	3
7**	Back-Up Ring	75800115	6
8**	O-Ring	75800110	3
9**	Pressure Seal Shear Seal Seat	75800105	3
10*	Rotor	75350105	1
11	Key, Woodruff	75800150	1
12	Shaft	75800125	1
13	O-Ring	75800285	2
14*	Thrust Washer	75150165	2
15*	Ball Bearing (Set)	75150166	1
16	O-Ring	75800140	1
17	Bushing, Shaft	75800135	1
18	Gear, Pinion	75800145	1
19	Housing	75800160	1
20	Detent Disc	75800310	1
21	Bearing	75800155	1
22	Bushing, Handle	75800195	1
23	Ball, Detent	75800280	1
24	Spring, Ball Detent	75800265	1
25	Screw, S.S. Flat Head	75800315	2
26	Grip, Handle	75800255	1
27	Handle Assembly	75800200	1
28	Washer	75800205	2
29	Lockwasher, S.S.	75800235	5
30	Nut, Self-Locking	75800295	1
31	Nut, Self-Locking	75800220	2
32	Washer	75800250	2
33	Set Screw, Socket Head, Stop	75800245	1
34	Fitting	75800320	1

Item	Description	1"	Qty
35	O-Ring	75800175	2
36	T-Seal, Actuator	75800270	1
37	Rack, Actuator	75800185	1
38	T-Seal, Piston	75800275	1
39	Piston	75800180	1
40	Screw, S.S. Socket Head, Piston	75800240	1
41	Cylinder	75800165	1
42	Plate, End Cylinder	75800170	1
43	Washer	75800230	4
44	Screw, S.S. Hex Head	75800190	4
45	Set Screw, Socket Head, Stop	75800300	1
46	Seal Thread	75800290	1

(†) Included with Item 3, Body.

* Included in Repair Kit, Major

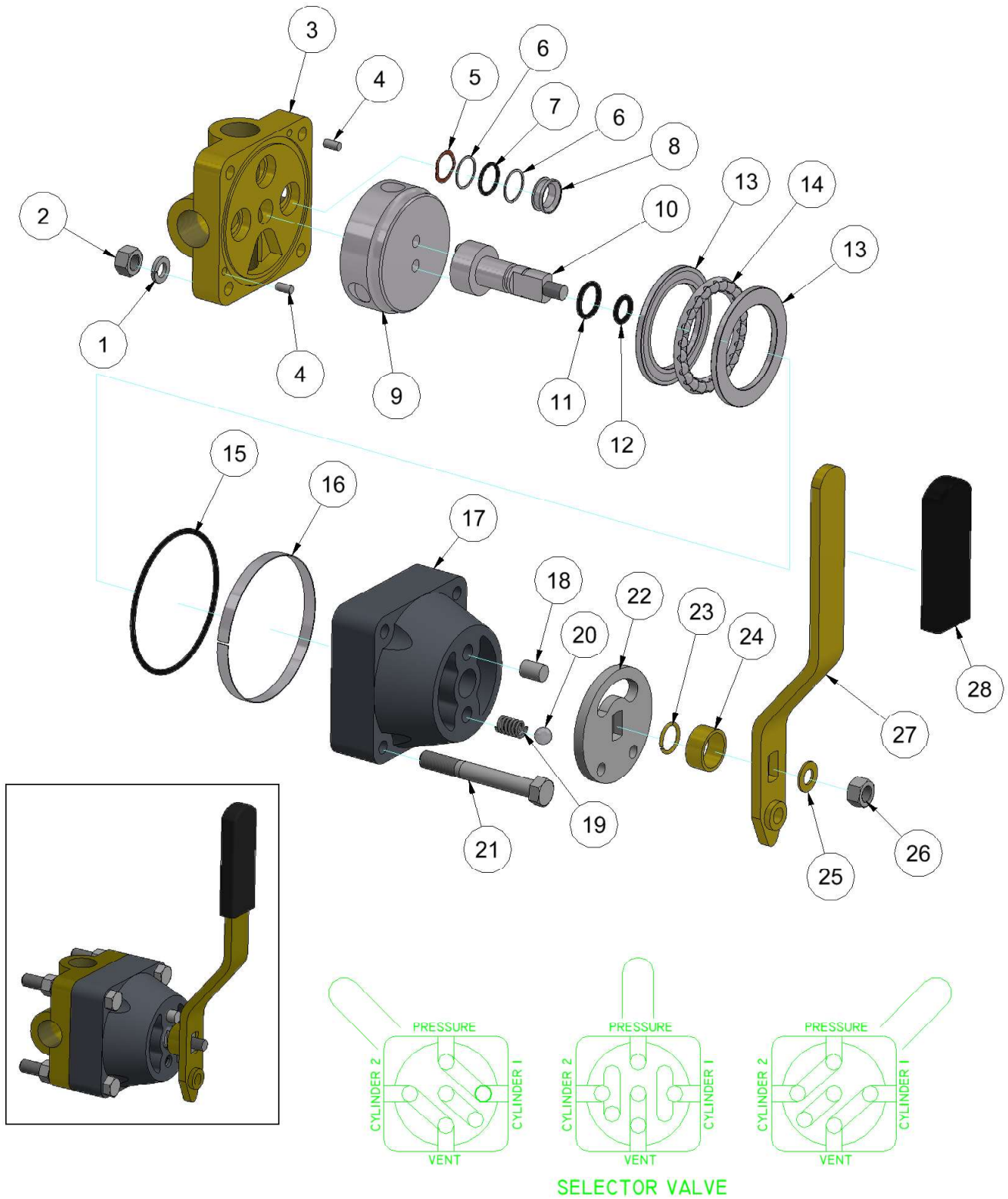
** Included in Seal Kit

SPECIAL NOTE:

Minor Repair Kit consists of the Seal Kit and Rotor only

4-WAY VALVE

1/4" & 1/2" & 1" & 1-1/2" SELECTOR 3,000 PSI



4-WAY VALVE

1/4" & 1/2" & 1" & 1-1/2" SELECTOR 3,000 PSI

Item	Description	1/4"	Qty	1/2"	Qty	1"	Qty	1 1/2"	Qty
+	Valve, Complete	75250100		75300100		75150100		75200100	

Item	Description	1/4"	Qty	1/2"	Qty	1"	Qty	1 1/2"	Qty
Kit	Seal Kit (Included in Repair Kit)	75250997		75300997		75150997		75200997	
Kit	Repair Kit, Minor (Also in Major Repair Kit)	75250998		75300998		75150998		75200998	
Kit	Repair Kit, Major	75250999		75300999		75150999		75200999	
1	Lockwasher	75250110	4	75300106	4	75150105	4	75200107	4
2	Nut	75250115	4	75300112	4	75150110	4	75200114	4
3	Body	75250120	1	75300118	1	75150115	1	75200121	1
4†	Dowel Pin	75250125	2	75300124	2	75150120	2	75150120	2
5**	Washer, Spring	75250130	3	75300130	3	75150125	3	75200135	3
6**	Back-Up Ring	75250135	3	75300136	6	75150130	6	75200142	6
7**	O-Ring	75250140	3	75300142	3	75150135	3	75200149	3
8**	Shear Seal Seat	75250145	3	75300148	3	75150140	3	75200156	3
9*	Rotor	75250105	1	75300154	1	75150145	1	75200163	1
10	Shaft	75250150	1	75300162	1	75150150	1	75200170	1
11**	O-Ring	75250155	1	75300168	1	75150155	1	75150155	1
12**	O-Ring	N/A		N/A		75150160	1	75150160	1
13*	Thrust Washer	75250160	1	75300174	2	75150165	2	75200177	2
14*	Ball Bearing (Set)	75250165	17	75300180	20	75150166	1	75200184	22
15**	O-Ring	75250170	1	75300186	1	75150175	1	75200191	1
16	Anti-Velocity Ring	75250175	1	75300192	1	75150180	1	75200198	1
17	Housing	75250180	1	75300198	1	75150185	1	75200205	1
18	Stop Pin	75250185	1	75300204	1	75150190	1	75150190	1
19	Spring, Detent	75250190	1	75300210	1	75150195	1	75150195	1
20	Ball, Detent	75250195	1	75300216	1	75150205	1	75150205	1
21	Screw	75250200	4	75300222	4	75150116	4	75200233	4
22	Disc, Detent	75250205	1	75300228	1	75150206	1	75150206	1
23	Retaining Ring	75250210	1	75300234	1	75150207	1	75150207	1
24	Spacer, Handle	75250215	1	75300240	1	75150111	1	75150111	1
25	Washer, Shaft	75250220	1	75300246	1	75150208	1	75150208	1
26	Nut, Shaft	75250225	1	75300252	1	75150209	1	75150209	1
27	Handle	75250230	1	75300258	1	75150112	1	75150112	1
28	Grip, Handle	75250235	1	75300264	1	75150218	1	75150218	1

(†) Included with Item 3, Body.

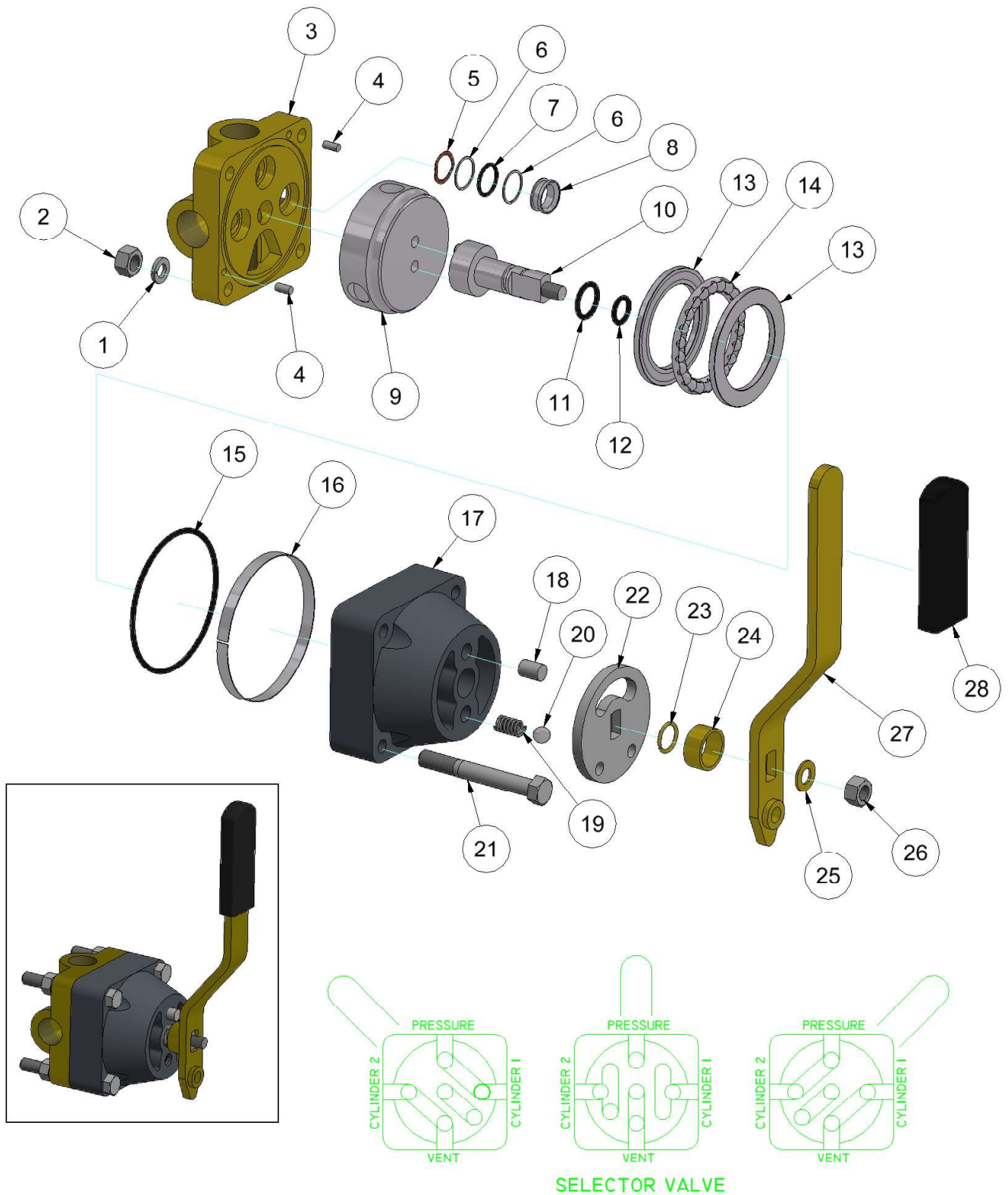
* Included in Repair Kit, Major

** Included in Seal Kit

SPECIAL NOTE: Minor Repair Kit consists of the Seal Kit and Rotor only

4-WAY VALVE

1" SELECTOR 5,000 PSI



Item	Description	1"	Qty
+	Valve, Complete-5,000 PSI	75260100	

Item	Description	1"	Qty
Kit	Seal Kit (Included in Repair Kit)	75260197	
Kit	Repair Kit, Minor (Also in Major Repair Kit)	75260198	
Kit	Repair Kit, Major	75260199	
1	Lockwasher	75150105	4
2	Nut	75150110	4
3	Body	75150115	1
4†	Dowel Pin	75150120	1
5**	Washer, Spring	75150125	3
6**	Back-Up Ring	75150130	6
7**	O-Ring	75150135	3
8**	Shear Seal Seat	75260105	3
9*	Rotor	75150145	1
10	Shaft	75150150	1
11**	O-Ring	75150155	1
12**	O-Ring	75150160	1
13*	Thrust Washer	75150165	2
14*	Ball Bearing (Set)	75150166	1
15**	O-Ring	75150175	1
16	Anti-Velocity Ring	75150180	1
17	Housing	75150185	1
18	Stop Pin	75150190	1
19	Spring, Detent	75150195	1
20	Ball, Detent	75150205	1
21	Screw	75150116	4
22	Disc, Detent	75150206	1
23	Retaining Ring	75150207	1
24	Spacer, Handle	75150111	1
25	Washer, Shaft	75150208	1
26	Nut, Shaft	75150209	1
27	Handle	75150112	1
28	Grip, Handle	75150218	1

(†) Included with Item 3, Body.

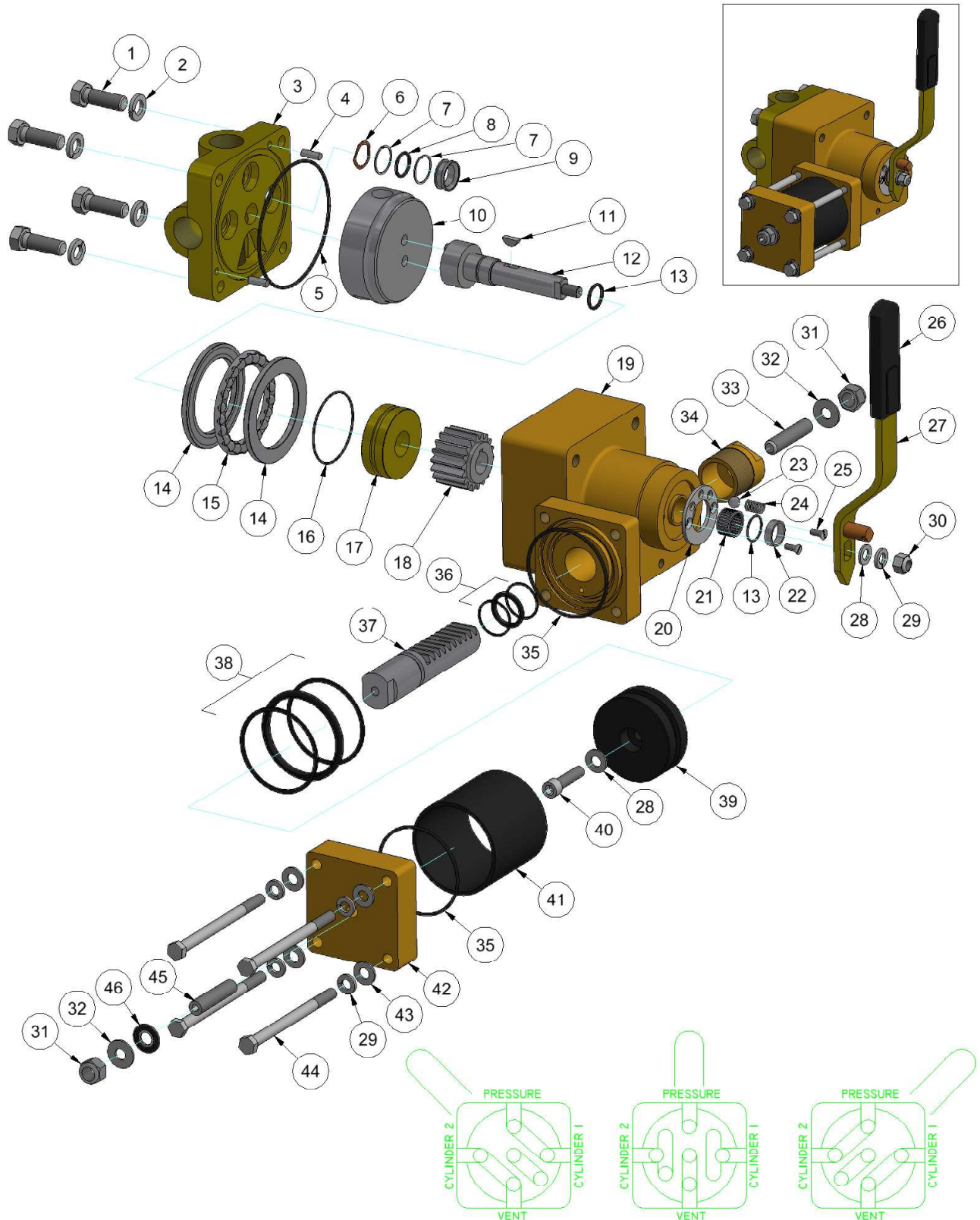
* Included in Repair Kit, Major

** Included in Seal Kit

SPECIAL NOTE: Minor Repair Kit consists of the Seal Kit and Rotor only

4-WAY VALVE

1" SELECTOR 3,000 PSI
with Integral Remote Cylinder



4-WAY VALVE

1" SELECTOR 3,000 PSI
with Integral Remote Cylinder

Item	Description	Part No.	Qty
+	1" Valve, Complete	75800100	

Item	Description	1"	Qty
Kit	Seal Kit (Included in Repair Kit)	75150997	
Kit	Repair Kit, Minor (Also in Major Repair Kit)	75150998	
Kit	Repair Kit, Major	75150999	
1	Screw, S.S. Hex Head	75800215	4
2	Lockwasher, S.S. Body	75800210	4
3	Body	75150115	1
4†	Groove Pin, Body-Housing	75800260	2
5**	O-Ring	75800120	1
6**	Washer, Spring	75800305	3
7**	Back-Up Ring	75800115	6
8**	O-Ring	75800110	3
9**	Pressure Seal Shear Seal Seat	75800105	3
10*	Rotor	75150145	1
11	Key, Woodruff	75800150	1
12	Shaft	75800125	1
13	O-Ring	75800285	2
14*	Thrust Washer	75150165	2
15*	Ball Bearing (Set)	75150166	1
16	O-Ring	75800140	1
17	Bushing, Shaft	75800135	1
18	Gear, Pinion	75800145	1
19	Housing	75800160	1
20	Detent Disc	75800310	1
21	Bearing	75800155	1
22	Bushing, Handle	75800195	1
23	Ball, Detent	75800280	1
24	Spring, Ball Detent	75800265	1
25	Screw, S.S. Flat Head	75800315	2
26	Grip, Handle	75800255	1
27	Handle Assembly	75800200	1
28	Washer	75800205	2
29	Lockwasher, S.S.	75800235	5
30	Nut, Self-Locking	75800295	1
31	Nut, Self-Locking	75800220	2
32	Washer	75800250	2
33	Set Screw, Socket Head, Stop	75800245	1
34	Fitting	75800320	1

Item	Description	1"	Qty
35	O-Ring	75800175	2
36	T-Seal, Actuator	75800270	1
37	Rack, Actuator	75800185	1
38	T-Seal, Piston	75800275	1
39	Piston	75800180	1
40	Screw, S.S. Socket Head, Piston	75800240	1
41	Cylinder	75800165	1
42	Plate, End Cylinder	75800170	1
43	Washer	75800230	4
44	Screw, S.S. Hex Head	75800190	4
45	Set Screw, Socket Head, Stop	75800300	1
46	Seal Thread	75800290	1

(†) Included with Item 3, Body.

* Included in Repair Kit, Major

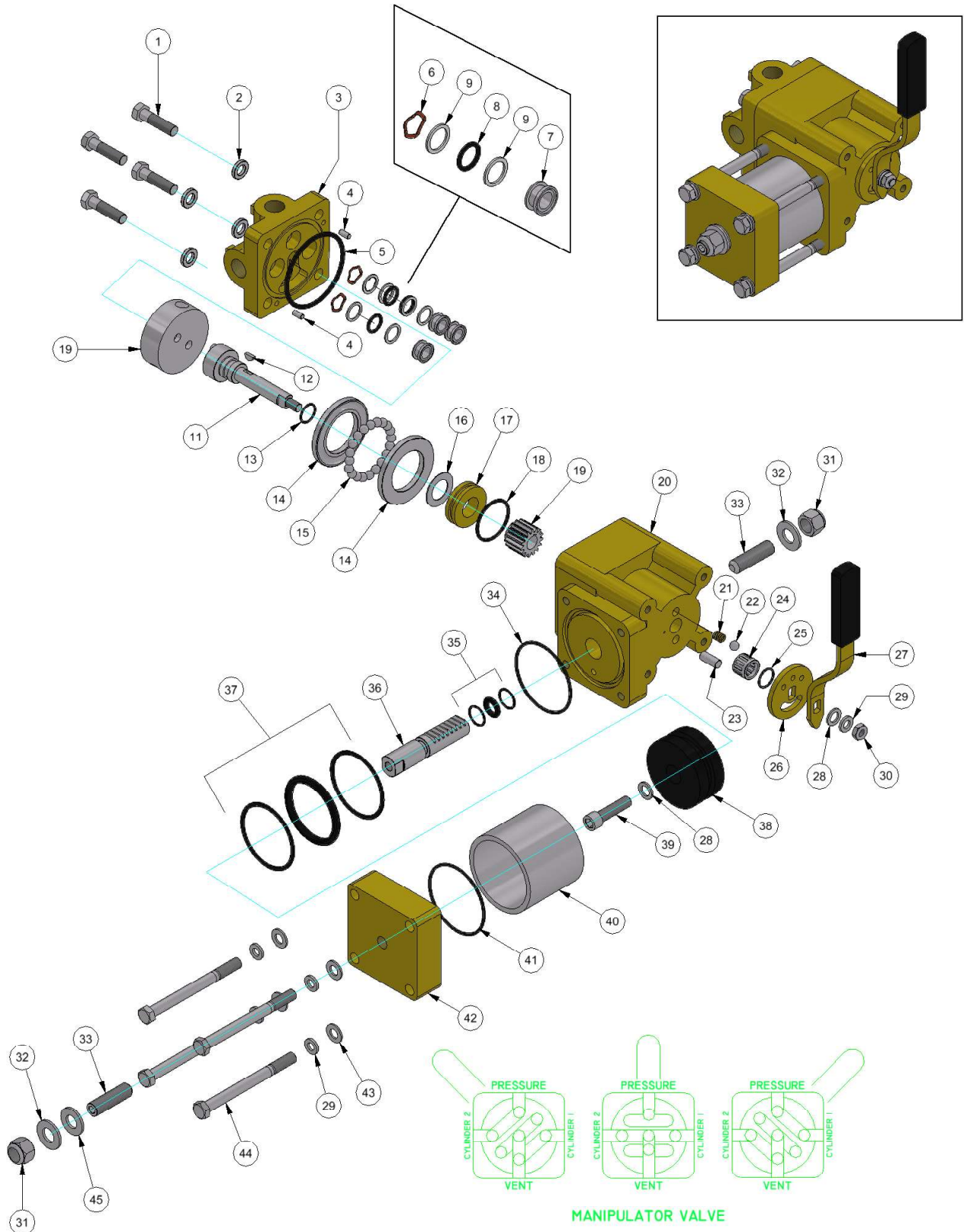
** Included in Seal Kit

SPECIAL NOTE:

Minor Repair Kit consists of the Seal Kit and Rotor only

4-WAY VALVE

1/4" & 1/2" MANIPULATOR 3,000 PSI
with Integral Remote Cylinder



4-WAY VALVE

1/4" & 1/2" MANIPULATOR 3,000 PSI

with Integral Remote Cylinder

Item	Description	Part No.
+	1/4" Valve, Complete	75870100
+	1/2" Valve, Complete	75875100

Item	Description	1/4"	1/2"	Qty
Kit	Seal Kit (Included in Repair Kit)	75250997	75300997	
Kit	Repair Kit, Minor (Also in Major Repair Kit)	75870998	75875998	
Kit	Repair Kit, Major	75870999	75875999	
1	Screw, S.S. Hex Head	75780105	75780105	4
2	Lockwasher, S.S. Body	75780110	75780110	4
3	Body	75250120	75300118	1
4†	Dowel, Body-Housing	75250125	75300124	2
5**	O-Ring	75250170	75300186	1
6**	Washer, Spring	75250130	75300130	3
7**	Pressure Seal Shear Seal Seat	75250145	75300148	3
8**	O-Ring	75250140	75300142	3
9**	Back-Up Ring	75250135	75300136	6
10*	Rotor	75250105	75300154	1
11	Shaft	75780120	75880105	1
12	Key, Woodruff	75780115	75880110	1
13*	O-Ring, Shaft	75780125	75880115	1
14*	Thrust Washer	75250160	75300174	2
15	Ball Bearing (Set)	75250165	75300180	1
16	Spacer	75780270	75880230	1
17	Bushing, Shaft	75780135	75880120	1
18	O-Ring, Bushing, Shaft	75780130	75880125	1
19	Gear, Pinion	75780140	75880130	1
20	Housing	75780145	75880135	1
21	Spring, Ball Detent	75250190	75250190	1
22	Ball, Detent	75250195	75250195	1
23	Pin	75250185	75250185	1
24	Bearing	75780155	75880140	1

Item	Description	1/4"	1/2"	Qty
25	O-Ring	75780215	75880215	1
26	Detent Disc	75780150	75780150	1
27	Handle Assembly	75780175	75780175	1
28	Washer	75780176	75780176	2
29	Lockwasher, S.S.	75780180	75780180	2
30	Nut, Self-Locking	75780185	75780185	1
31	Nut, Self-Locking	75780186	75880145	1
32	Washer	75780190	75880150	2
33	Set Screw, Socket Head, Stop	75780195	75880155	2
34	O-Ring	75780220	75880160	2
35	T-Seal, Actuator	75780205	75880165	1
36	Rack, Actuator	75780210	75880170	1
37	T-Seal, Piston	75780225	75880180	1
38	Piston	75780230	75880185	1
39	Screw, S.S. Socket Head, Piston	75780235	75880190	1
40	Cylinder	75780240	75880195	1
41	Set Screw, Socket Head, Stop	75780245	75880200	1
42	Plate, End Cylinder	75780250	75880205	1
43	Washer	75780255	75880210	4
44	Screw S.S. Hex Head	75780260	75880220	4
45	Seal Thread	75780265	75880225	1

(†) Included with Item 3, Body.

* Included in Repair Kit, Major

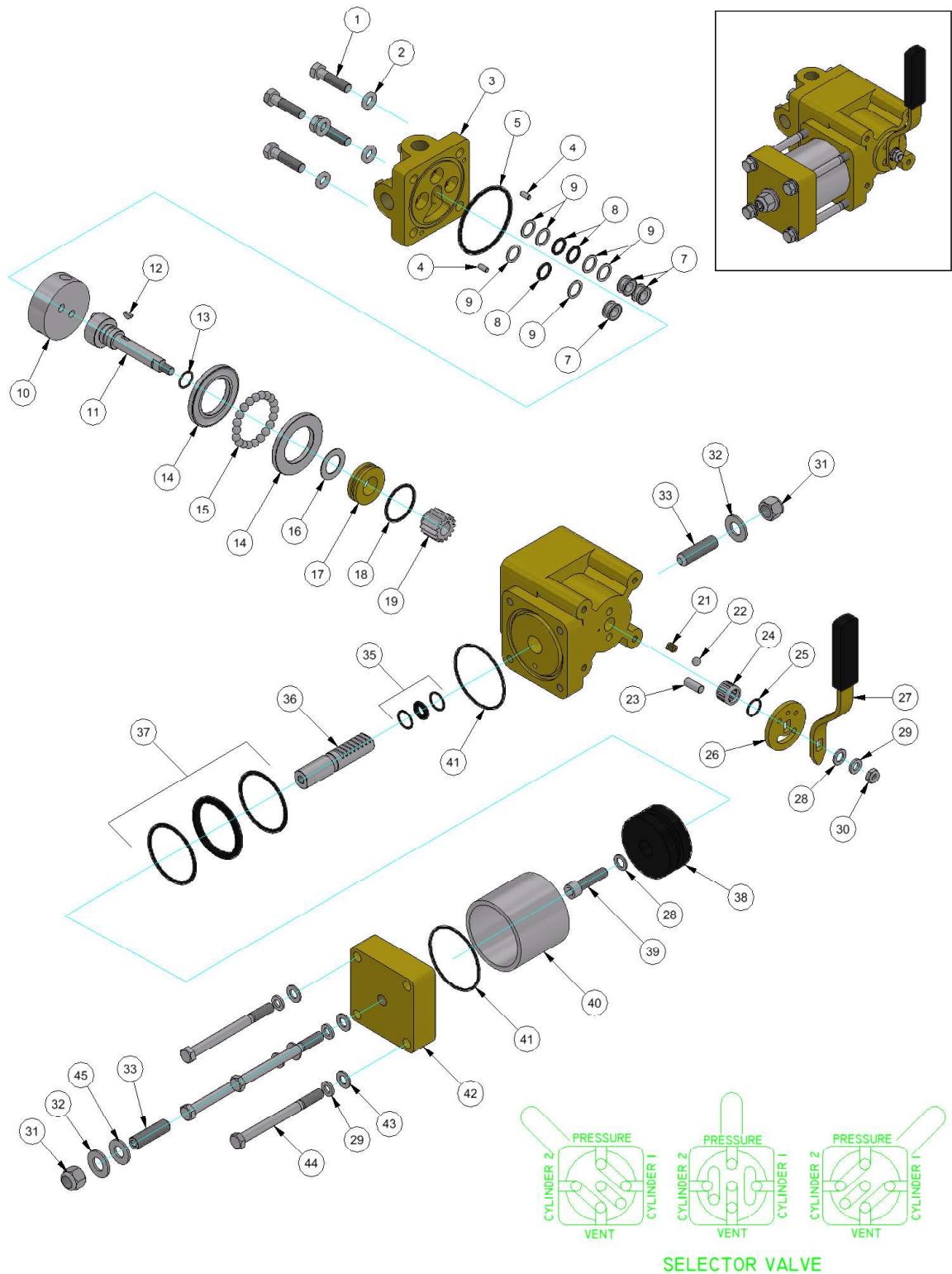
** Included in Seal Kit

SPECIAL NOTE:

Minor Repair Kit consists of the Seal Kit and Rotor only

4-WAY VALVE

1/4" & 1/2" SELECTOR 3,000 PSI
with Integral Remote Cylinder



4-WAY VALVE

1/4" & 1/2" SELECTOR 3,000 PSI

with Integral Remote Cylinder

Item	Description	Part No.
+	1/4" Valve, Complete	75780100
+	1/2" Valve, Complete	75880100

Item	Description	1/4"	1/2"	Qty
Kit	Seal Kit (Included in Repair Kit)	75250997	75300997	
Kit	Repair Kit, Minor (Also in Major Repair Kit)	75780998	75880998	
Kit	Repair Kit, Major	75780999	75880999	
1	Screw, S.S. Hex Head	75780105	75780105	4
2	Lockwasher, S.S. Body	75780110	75780110	4
3	Body	75250120	75300118	1
4†	Dowel, Body-Housing	75250125	75300124	2
5**	O-Ring	75250170	75300186	1
6**	Washer, Spring	75250130	75300130	3
7**	Pressure Seal Shear Seal Seat	75250145	75300148	3
8**	O-Ring	75250140	75300142	3
9**	Back-Up Ring	75250135	75300136	6
10*	Rotor	75250105	75300154	1
11	Shaft	75780120	75880105	1
12	Key, Woodruff	75780115	75880110	1
13*	O-Ring, Shaft	75780125	75880115	1
14*	Thrust Washer	75250160	75300174	2
15	Ball Bearing (Set)	75250165	75300180	1
16	Spacer	75780270	75880230	1
17	Bushing, Shaft	75780135	75880120	1
18	O-Ring, Bushing, Shaft	75780130	75880125	
19	Gear, Pinion	75780140	75880130	1
20	Housing	75780145	75880135	1
21	Spring, Ball Detent	75250190	75250190	1
22	Ball, Detent	75250195	75250195	1
23	Pin	75250185	75250185	
24	Bearing	75780155	75880140	1

Item	Description	1/4"	1/2"	Qty
25	O-Ring	75780215	75880215	1
26	Detent Disc	75780150	75780150	1
27	Handle Assembly	75780175	75780175	1
28	Washer	75780176	75780176	2
29	Lockwasher, S.S.	75780180	75780180	2
30	Nut, Self-Locking	75780185	75780185	1
31	Nut, Self-Locking	75780186	75880145	
32	Washer	75780190	75880150	2
33	Set Screw, Socket Head, Stop	75780195	75880155	2
34	O-Ring	75780220	75880160	2
35	T-Seal, Actuator	75780205	75880165	1
36	Rack, Actuator	75780210	75880170	1
37	T-Seal, Piston	75780225	75880180	1
38	Piston	75780230	75880185	1
39	Screw, S.S. Socket Head, Piston	75780235	75880190	1
40	Cylinder	75780240	75880195	1
41	O-Ring	75780245	75880200	1
42	Plate, End Cylinder	75780250	75880205	1
43	Washer	75780225	75880210	4
44	Screw S.S. Hex Head	75780260	75880220	4
45	Seal Thread	75780265	75880225	1

(†) Included with Item 3, Body.

* Included in Repair Kit, Major

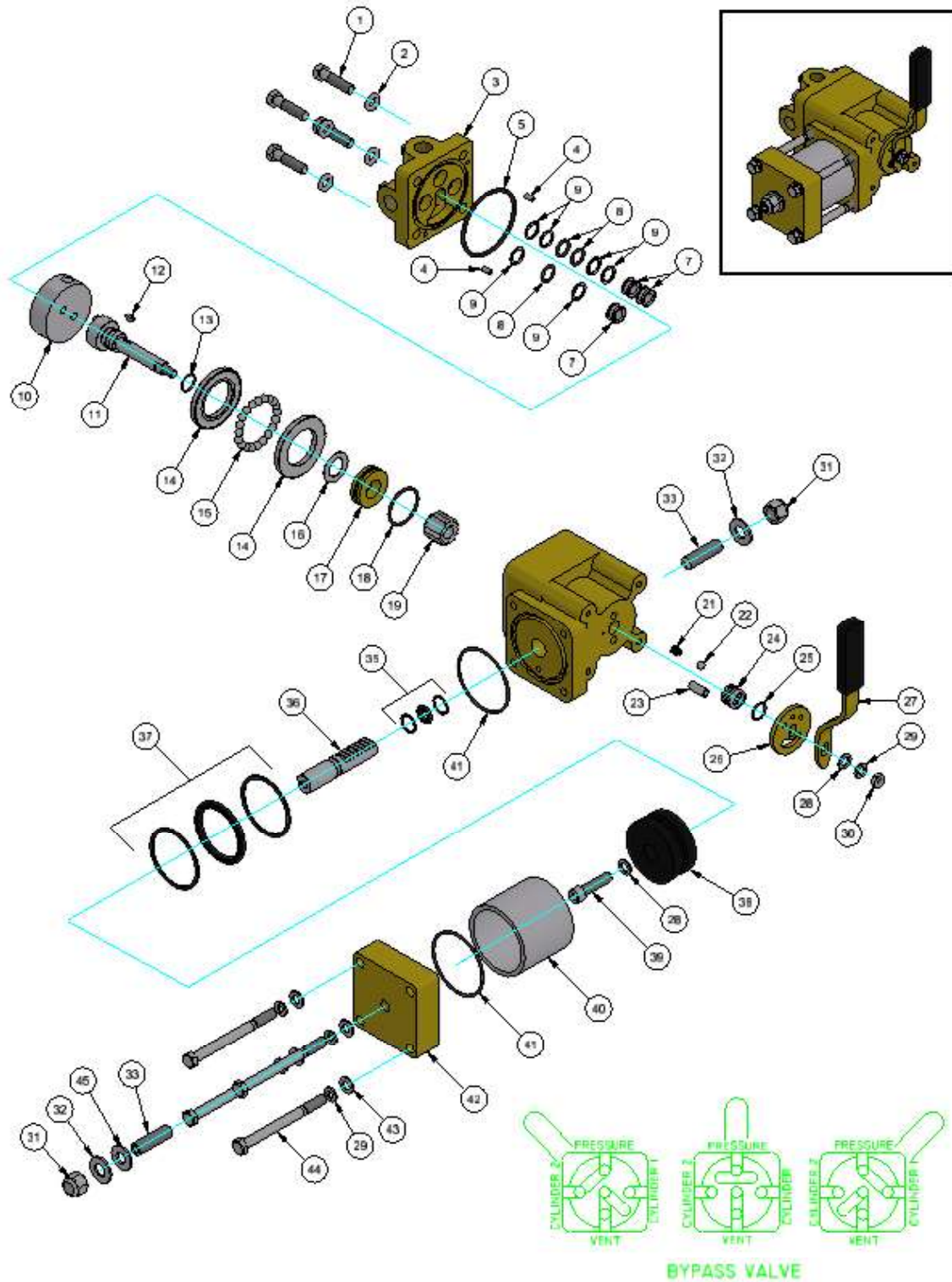
** Included in Seal Kit

SPECIAL NOTE:

Minor Repair Kit consists of the Seal Kit and Rotor only

4-WAY VALVE

1/4" & 1/2" BY-PASS 3,000 PSI
with Integral Remote Cylinder



4-WAY VALVE

1/4" & 1/2" BY-PASS 3,000 PSI

with Integral Remote Cylinder

Item	Description	Part No.	Qty
+	1/2" Valve, Complete	75885100	

Item	Description	1/2"	Qty
Kit	Seal Kit (Included in Repair Kit)	75300997	
Kit	Repair Kit, Minor (Also in Major Repair Kit)	75885998	
Kit	Repair Kit, Major	75885999	
1	Screw, S.S. Hex Head	75780105	4
2	Lockwasher, S.S. Body	75780110	4
3	Body	75300118	1
4†	Groove Pin, Body-Housing	75300124	2
5**	O-Ring	75300186	1
6**	Washer, Spring	75300130	3
7**	Pressure Seal Shear Seal Seat	75300148	3
8**	O-Ring	75300142	3
9**	Back-Up Ring	75300136	6
10*	Rotor	75310105	1
11	Shaft	75880105	1
12	Key, Woodruff	75880110	1
13*	O-Ring, Shaft	75880115	1
14*	Thrust Washer	75300174	2
15	Ball Bearing (Set)	75300180	1
16	Spacer	75880230	1
17	Bushing, Shaft	75880120	1
18	O-Ring, Bushing, Shaft	75880125	
19	Gear, Pinion	75880130	1
20	Housing	75880135	1
21	Spring, Ball Detent	75250190	1
22	Ball, Detent	75250195	1
23	Pin	75250185	
24	Bearing	75880140	1

Item	Description	1/2"	Qty
25	O-Ring	75880215	1
26	Detent Disc	75780150	1
27	Handle Assembly	75780175	1
28	Washer	75780176	2
29	Lockwasher, S.S.	75780180	2
30	Nut, Self-Locking	75780185	1
31	Nut, Self-Locking	75880145	1
32	Washer	75880150	2
33	Set Screw, Socket Head, Stop	7588155	2
34	O-Ring	75880160	2
35	T-Seal, Actuator	75880165	1
36	Rack, Actuator	7588170	1
37	T-Seal, Piston	75880180	1
38	Piston	75880185	1
39	Screw, S.S. Socket Head, Piston	75880190	1
40	Cylinder	75880195	1
41	Set Screw, Socket Head, Stop	75880200	1
42	Plate, End Cylinder	75880205	1
43	Washer	75880210	4
44	Screw S.S. Hex Head	75880220	4
45	Seal Thread	75880225	1

(†) Included with Item 3, Body.

* Included in Repair Kit, Major

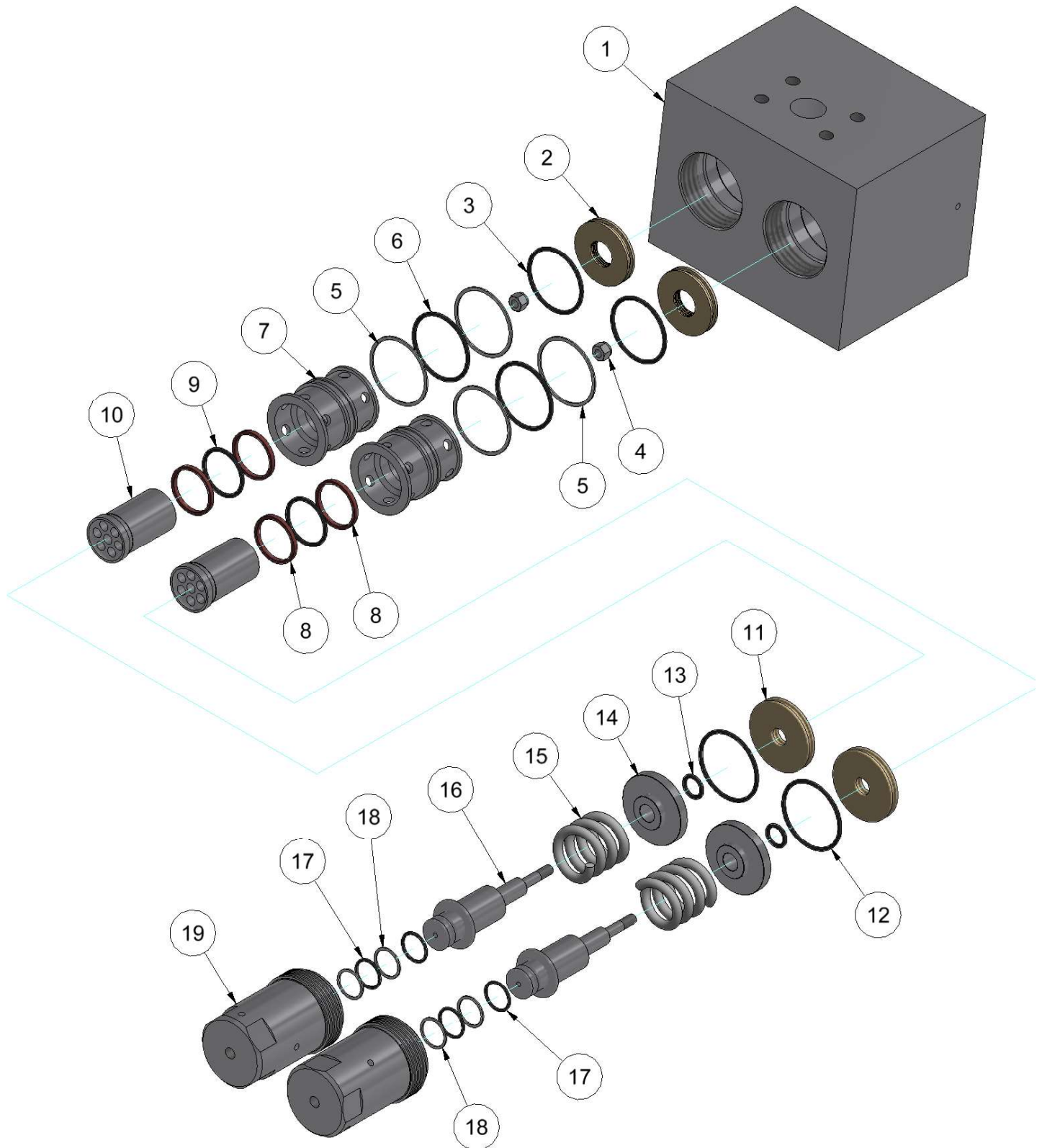
** Included in Seal Kit

SPECIAL NOTE:

Minor Repair Kit consists of the Seal Kit and Rotor only

SPM CONTROL VALVE

1" & 1-1/2" SPM VALVE



SPM CONTROL VALVES

1" & 1-1/2" SPM VALVE

Item	Description	Part No. - 1"	Part No. - 1 1/2"
+	Complete Assembly	75415100	NPN

Item	Description	Part No. - 1"	Part No. - 1 1/2"	Qty.
	Complete SPM Valve	75415101	75420100	
1	Pocket (Dual)		Reference Only	
2	Seal Bottom	75415115	75420190	2
3	O-Ring (seal bottom)	75415120	75420185	2
4	Locknut 3/8" 24-UNF	75415125	75420180	2
5	Back Up Ring (outer cage)	75415130	75420175	4
6	O-Ring (outer cage)	75415135	75420145	2
7	Cage	75415140	75420170	2
8	Back Up Ring (inside cage - 1") Wear Band (1 1/2")	75415145	75420160	4
9	O-Ring (inside cage)	75415150	75420165	2
10	Seal Sleeve	75415155	75420155	2
11	Seal Top	75415160	75420150	2
12	O-Ring (outer seal top)	75415165	75420145	2
13	O-Ring (inside seal top)	75415170	75420140	2
14	Spacer	75415175	75420135	2
15	Compression Spring	75415180	75420130	2
16	Piston Rod	75415185	75420125	2
17	O-Ring (piston rod)	75415190	75420120	4
18	Back Up Ring (piston rod)	75415195	75420115	4
19	Spring Housing	75415196	75420110	2
	Seal Kit	75415198	75420197	2
	Repair Kit	75415199	75420199	2

4-WAY AIR CONTROL VALVE	Size	Pressure	Part Number
-------------------------	------	----------	-------------



Panel mount, 3-Position spring center valve w/manual actuator

¼" NPT

250 PSI

85300110

4-WAY AIR CONTROL VALVE	Size	Pressure	Part Number
-------------------------	------	----------	-------------



Panel mount, 3-Position spring center valve w/manual actuator

¼" NPT

150 PSI

85300130

4-WAY AIR CONTROL VALVE	Size	Pressure	Part Number
-------------------------	------	----------	-------------



3-Position spring center valve has lever operation for manual control and double pilot operator for remote operation

½" NPT

150 PSI

85300145

3-WAY AIR CONTROL VALVE	Size	Pressure	Part Number
-------------------------	------	----------	-------------



Panel mount, 2-Position spring center valve

¼" NPT

150 PSI

85300120

BALL VALVES W/PNEUMATIC ACTUATOR	Size	Pressure	Part Number
----------------------------------	------	----------	-------------



2-Position valve normally closed with pneumatic actuator and position indicator

1" NPT


600 PSI


60350125



1-½" NPT

600 PSI

60350126


BRASS BALL VALVES	Size	Pressure	Part Number
	¼"	600 PSI	75620105
	⅜"	600 PSI	75620106
	½"	600 PSI	75620110
	¾"	600 PSI	75620115
	1"	600 PSI	75620120
	1 ½"	600 PSI	75620125
	2"	600 PSI	75620130
	3"	600 PSI	75620135


HIGH PRESSURE BALL VALVES	Size	Pressure	Part Number
	1" NPT	5,000 PSI	75650105
	1" SAE 4-Bolt	6,000 PSI	75680107
	1 ¼" NPT	5,000 PSI	75650110
	1 ½" NPT	5,000 PSI	75650116
	1 ½" SAE 4-Bolt	6,000 PSI	75680105
	2" NPT	5,000 PSI	75650120
	2" SAE 4-Bolt	6,000 PSI	75680110


CHECK VALVES	Size	Pressure	Part Number
 <p>NPT</p>  <p>Tube</p>	¼" NPT	6,000 PSI	75720110
	½" NPT	6,000 PSI	75720115
	½" NPT	10,000 PSI	75720165
	¾" NPT	6,000 PSI	75720120
	1" NPT	6,000 PSI	75720125
	1 ¼" NPT	6,000 PSI	75720126
	1 ½" NPT	6,000 PSI	75720130
	¼" Tube x Tube	6,000 PSI	75720111
	½" Tube x Tube	6,000 PSI	75720150

PRESSURE SENSOR PILOT/VALVE	Adjustable Range	Factory Setpoint	Part Number
	10-10,000 PSI	5,000 PSI	85121001



RELIEF VALVES	Inlet Size	Set Pressure	Part Number
	3/4" NPT	3,300 PSI	75500100
	3/4" NPT	3,500 PSI	75500110
	3/4" NPT	5,500 PSI	75550100
	1-1/4" NPT	3,300 PSI	75600100
	1-1/4" NPT	3,500 PSI	75600112
	1-1/4" NPT	5,500 PSI	75600110
	1-1/2" NPT	3,300 PSI	75560100
	1-1/2" NPT	3,500 PSI	75560105
	1-1/2" NPT	5,500 PSI	75560106

NEEDLE VALVES	Size	Pressure	Part Number
	1/4" FNPT x FNPT	10,000 PSI	75700105
	1/4" FNPT x FNPT	6,000 PSI	75700106
	1/4" 90° MNPT X FNPT	10,000 PSI	75700120
	1/2" FNPT x FNPT	10,000 PSI	75700110
	1/2" MNPT x FNPT	10,000 PSI	75700108
	1/2" 90° MNPT X FNPT	10,000 PSI	75700125
	3/8" FNPT x FNPT	10,000 PSI	75700109
	3/4" FNPT X FNPT	6,000 PSI	75700112
	3/4" FNPT X FNPT	10,000 PSI	75700113
	1" FNPT x FNPT	10,000 PSI	75700115
	1/4" Tube X Tube	6,000 PSI	70100607
	1/2" Tube X Tube	6,000 PSI	70100610

GLOBE VALVES	Size	Pressure	Part Number
	1" NPT	5,000 PSI	75685110
	1 1/2" NPT	5,000 PSI	75685112



FILTERS
&
STRAINERS

FILTERS & STRAINERS

Y-STYLE SUCTION STRAINERS



Bronze (BR)



Cast Iron (CI)

Size	Part Number (BR)	Part Number (CI)
½" NPT	60100106	60100105
¾" NPT	60100111	60100110
1" NPT	60100121	60100120
1-½" NPT	60100125-S0	60100125
2" NPT	60100129	60100130
2-½" NPT	60100131	-
3" NPT	60100135	

T-STYLE SUCTION STRAINERS



Size	Part Number
1-1/4" Assy	60150107
2" Assembly	60150110-S0
2" Replacement Element	60150111
3" Assembly	60150115
3" Replacement Element	60150114-S0

3,000 PSI T-STRAINERS



Components	Part Number
1" T-Strainer Assembly	60150100
Replacement Element	60150101
Replacement O-Ring	60150105
Replacement Cap	60150106

HIGH PRESSURE FILTER ASSEMBLIES



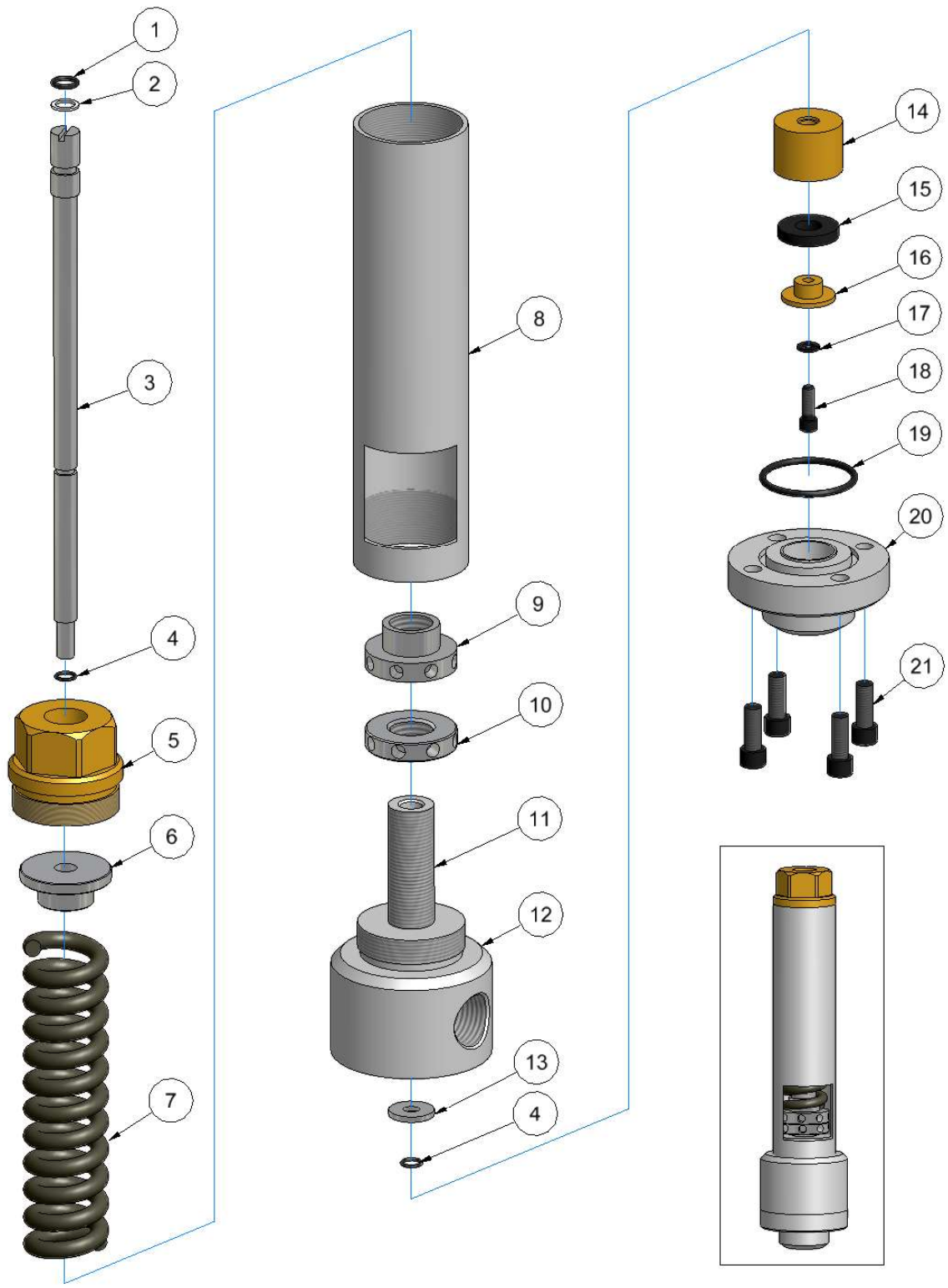
Size	Part Number
1-½" SAE 4-Bolt Filter Assy.	60300100
Replacement Head	60300105
Replacement Cylinder 16"	60300110
Standard Replacement Element 16" (6 micron)	60300115
High Collapse Pressure Element 16" (25 micron)	60300118
Filter Indicator	60300117



AIR PRESSURE SWITCHES

AIR PRESSURE SWITCH

HYDRO-PNEUMATIC
1" FNPT Inlet & Outlet



AIR PRESSURE SWITCH

HYDRO-PNEUMATIC
1" FNPT Inlet & Outlet

Item	Description	Part No.	Qty
+	Hydro-Pneumatic Pressure Switch, Complete 3,000 PSI	55100100	
+	Hydro-Pneumatic Pressure Switch, Complete 5,000 PSI	55150100	

Item	Description	Part No.	Qty
Kit	Repair Kit	55100999	1
1*	O-Ring	55100102	1
2*	Back-Up O-Ring	55100103	1
3	Rod	55100105	1
4*	O-Ring	55100106	2
5	Fluid Inlet Body	55100110	1
6	Spring Retainer	55100115	1
7	Spring 3,000 PSI	55100116	1
7	Spring 5,000 PSI	55150105	1
8	Sleeve	55100120	1
9	Adjustment Nut	55100125	1
10	Stop	55100130	1
11	Male Threaded Insert (Included with Item 12)	N/A	
12	Inlet Body	55100140	1
13	Spacer	55100145	1
14	Sleeve	55100150	1
15*	Seal	55100151	1
16	Retainer	55100160	1
17	Lock Washer	55100165	1
18	Cap Screw	55100170	1
19*	O-Ring	55100172	1
20	Outlet Body	55100175	1
21	Cap Screw	55100180	4

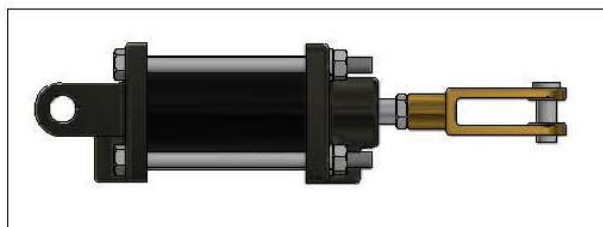
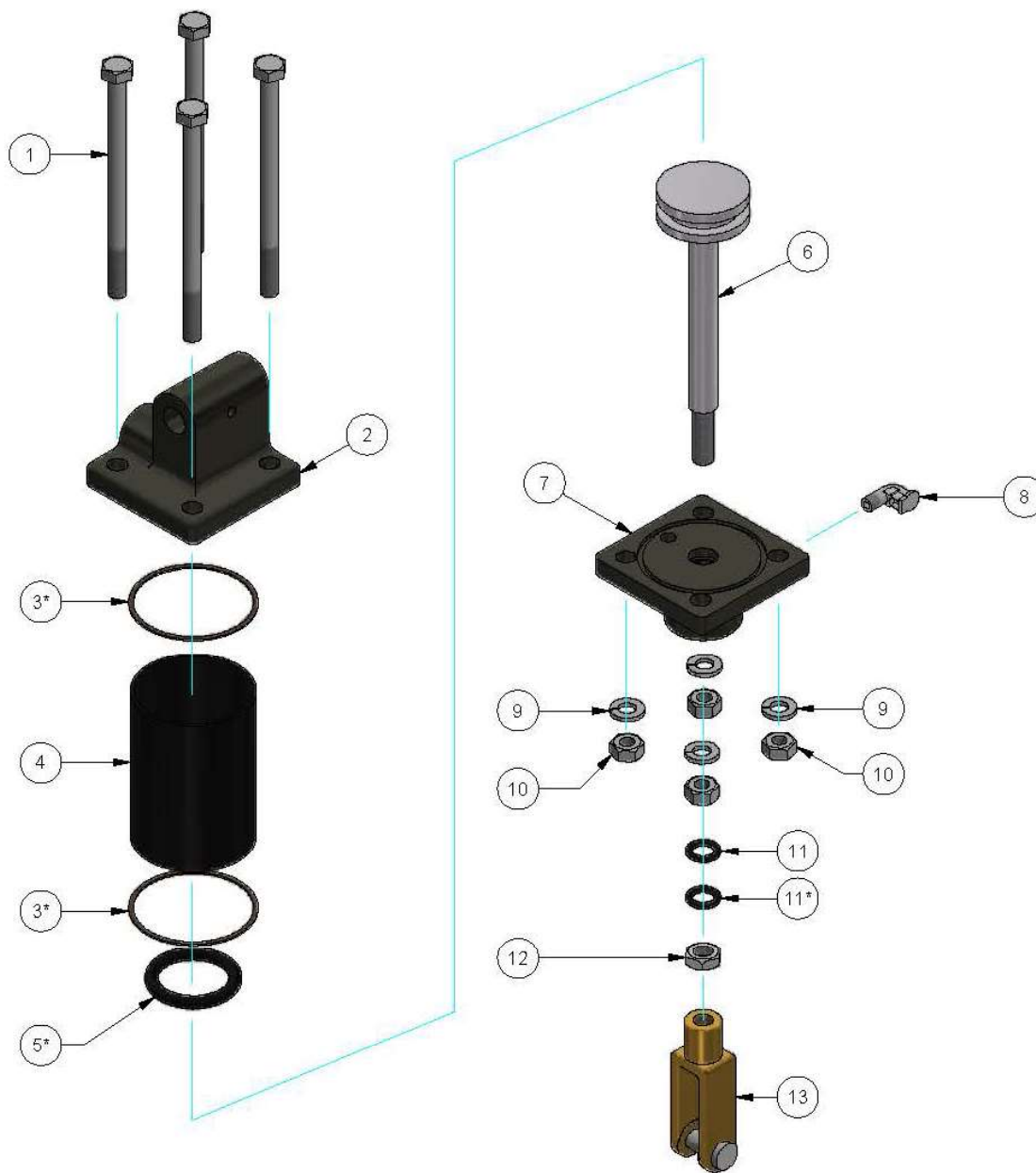
* Included in Repair Kit



PNEUMATIC
REMOTE
CYLINDERS

PNEUMATIC REMOTE CYLINDER

TWO POSITION x 2" CYLINDER
for a 1/4" & 1/2" 4-Way Valve



PNEUMATIC REMOTE CYLINDER

TWO POSITION x 2" CYLINDER
For A 1/4" & 1/2" 4-Way Valve

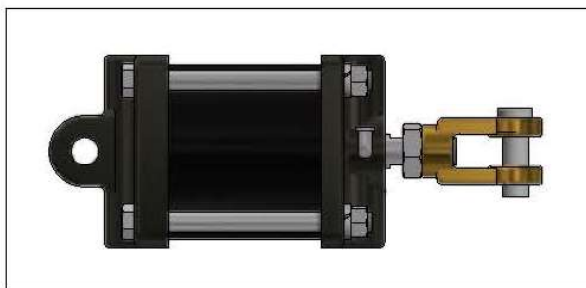
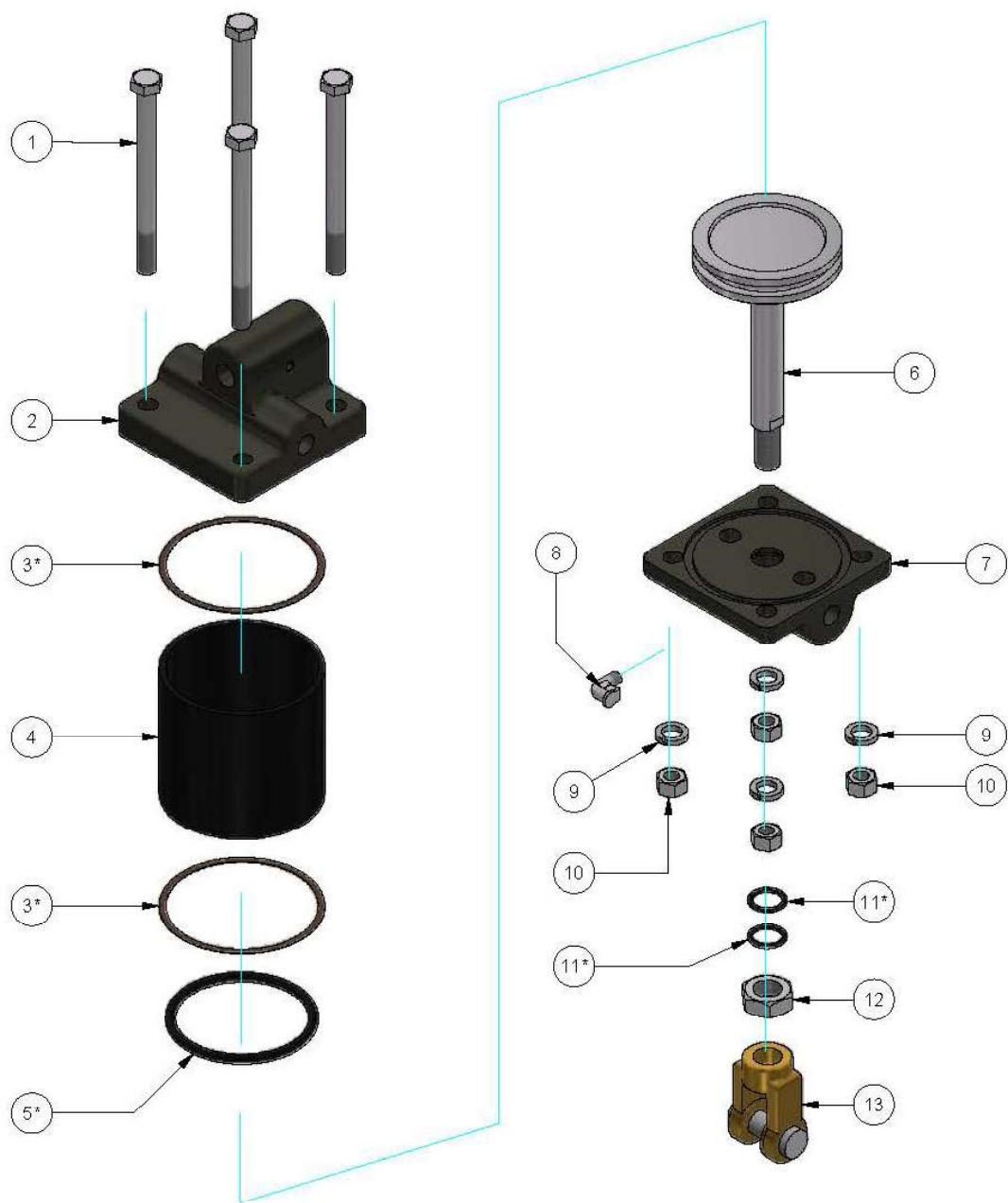
Item	Description	2X2	Qty
+	Pneumatic Remote Cylinder 2X2, Complete	85100100	

Item	Description	2X2	Qty
Kit	Repair Kit	85100999	
1	Bolt	85100160	4
2	End Cap	85100105	1
3*	Gasket	85100110	2
4	Barrel	85100115	1
5*	O-Ring	85100120	1
6	Piston & Rod Assembly	85100125	1
7	Front Cap	85100135	1
8	Oil Cup	85100165	1
9	Lock Washer	85100175	4
10	Nut	85100180	4
11*	O-Ring	85100130	2
12	Jam Nut	85100140	1
13	Clevis Assembly	85100145	1

* Included in Repair Kit

PNEUMATIC REMOTE CYLINDER

TWO POSITION x 3" CYLINDER
for a 1" 4-Way Valve



PNEUMATIC REMOTE CYLINDER

TWO POSITION x 3" CYLINDER
for a 1" 4-Way Valve

Item	Description	3X2	Qty
+	Pneumatic Remote Cylinder 3X2, Complete	85150101	

Item	Description	3X2	Qty
Kit	Repair Kit	85150999	
1	Bolt	85150170	4
2	End Cap	85150115	1
3*	Gasket	85150120	2
4	Barrel	85150125	1
5*	O-Ring	85150130	1
6	Piston & Rod Assembly	85150135	1
7	Front Cap	85150145	1
8	Oil Cup	85150175	1
9	Lock Washer	85150105	4
10	Nut	85150110	4
11*	O-Ring	85150140	2
12	Jam Nut	85150150	1
13	Clevis Assembly	85150155	1

* Included in Repair Kit

PNEUMATIC REMOTE CYLINDER

TWO POSITION X 4" CYLINDER

for a 1-1/2" 4-Way Valve



PNEUMATIC REMOTE CYLINDER

TWO POSITION x 4" CYLINDER

for a 1-1/2" 4-Way Valve

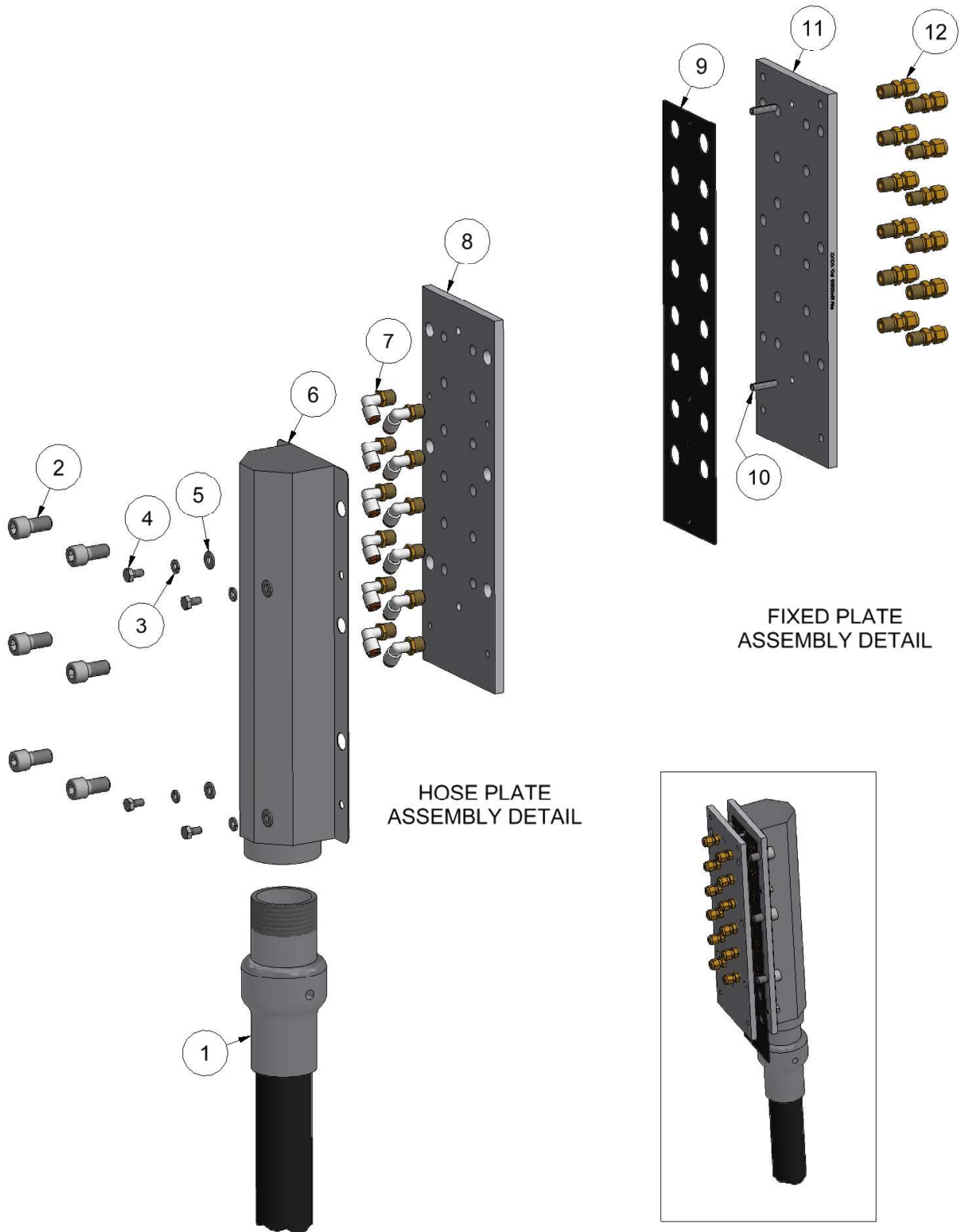
Item	Description	4X2	Qty
+	Pneumatic Remote Cylinder 4X2, Complete	85200100	

Item	Description	4X2	Qty
Kit	Repair Kit	85200999	
1	Bolt	85200170	6
2	End Cap	85200115	1
3*	Gasket	85200120	2
4	Barrel	85200125	1
5*	O-Ring	85200130	1
6	Piston & Rod Assembly	85200135	1
7	Front Cap	85200145	1
8	Oil Cup	85200175	1
9	Lock Washer	85200105	6
10	Nut	85200110	6
11*	O-Ring	85200140	2
12	Jam Nut	85200150	1
13	Clevis Assembly	85200155	1

* Included in Repair Kit



REMOTE
HOSE
ASSEMBLIES

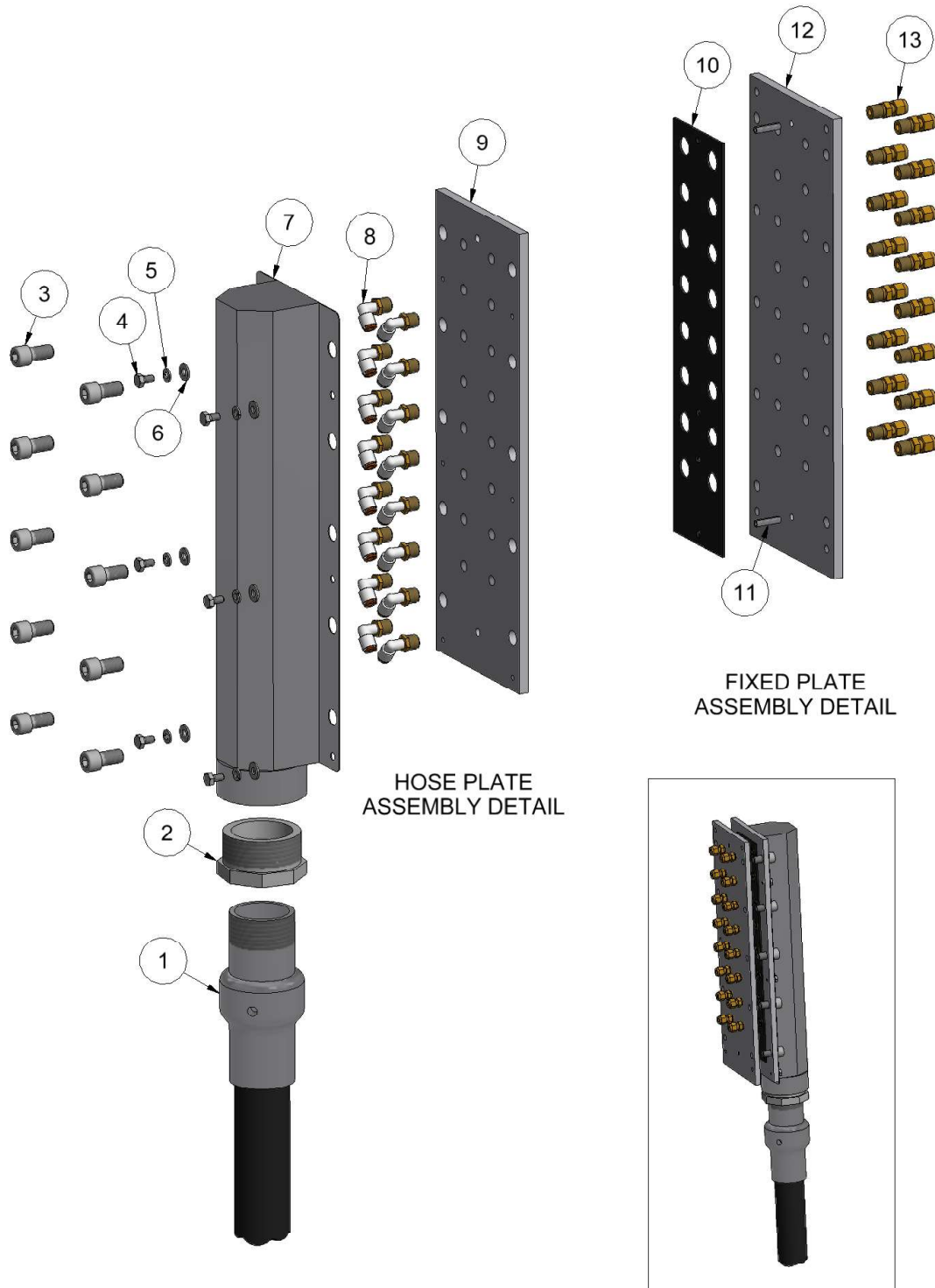


REMOTE HOSE

JR-12 HOSE ASSEMBLY

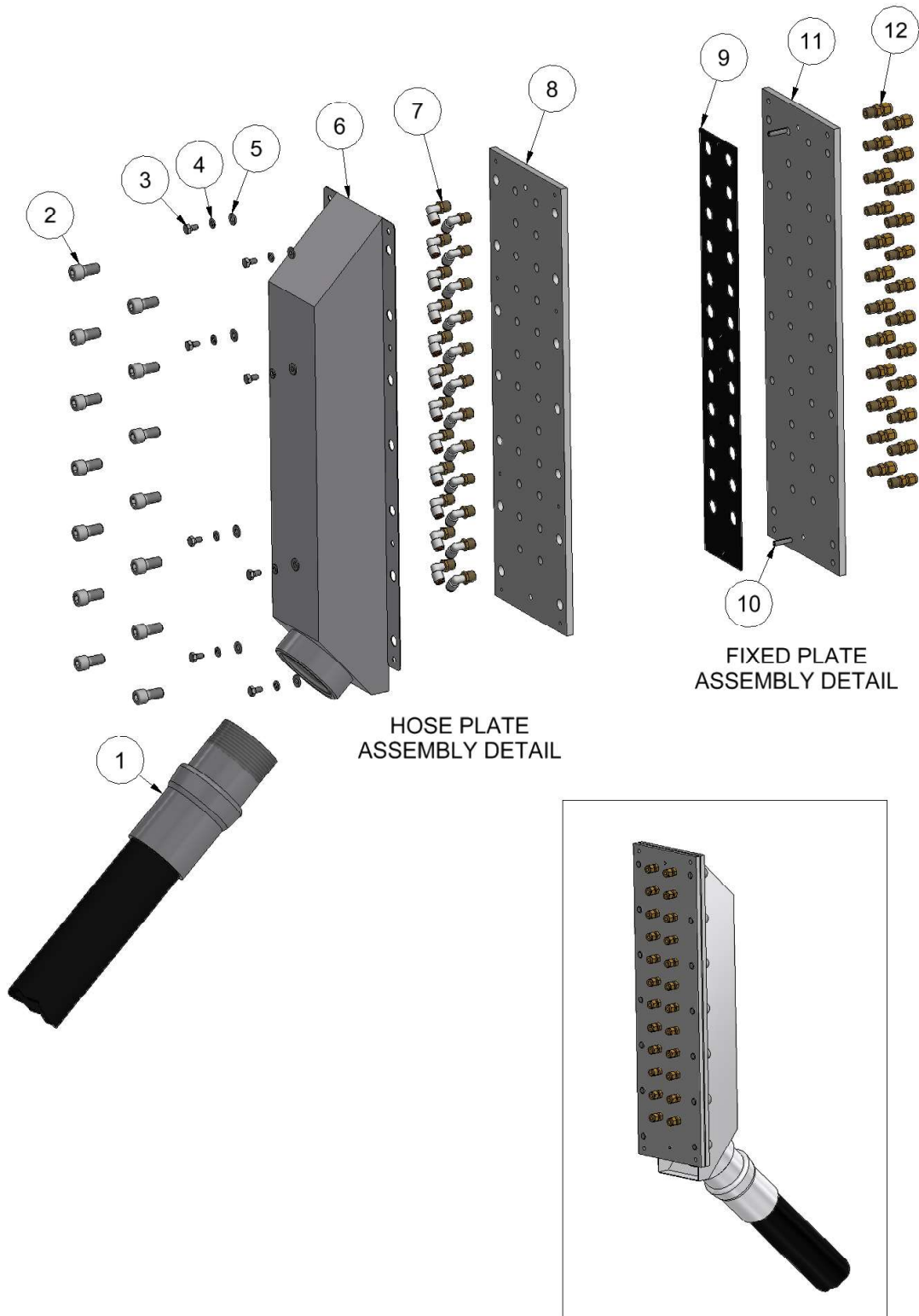
Item	Description	Part Number	Qty
1	2" Strain Relief w/Clamps	90100287	1
2	Socket Head Cap Screw	90100280	6
3	Lock Washer	90100292	4
4	Hex Bolt	90100275	4
5	Washer	90100291	4
6	JR-12 Stainless Steel Cover	90100225	1
7	1/4" x 1/4" NPT Polytube Elbow	70400220	12
8	JR-12 Hose Plate	90100215	1
9	JR-12/16 Gasket	90100255	1
10	Roll Pin	90100220	2
11	JR-12 Fixed Plate	90100205	1
12	1/4" NPT x 1/4" Tube Brass Male Connector	70100645	12
13	1/4" X #19 Hose (Not Shown)	45250105	*

* Common hose size. Call for other available sizes



Item	Description	Part Number	Qty
1	2" Strain Relief w/Clamps	90100287	1
2	2" x 2-1/2" Bushing	50200030	1
3	Socket Head Cap Screw	90100280	10
4	Hex Bolt	90100275	6
5	Lock Washer	90100292	6
6	Washer	90100291	6
7	JR-16 Stainless Steel Cover	90100270	1
8	1/4" x 1/4" NPT Polytube Elbow	70400220	16
9	JR-16 Hose Plate	90100260	1
10	JR-12/16 Gasket	90100255	1
11	Roll Pin	90100220	2
12	JR-16 Fixed Plate	90100250	1
13	1/4" NPT X 1/4" Tube Brass Male Connector	70100645	16
14	1/4" x #19 Hose (Not Shown)	45250105	*

* Common hose size. Call for other available sizes

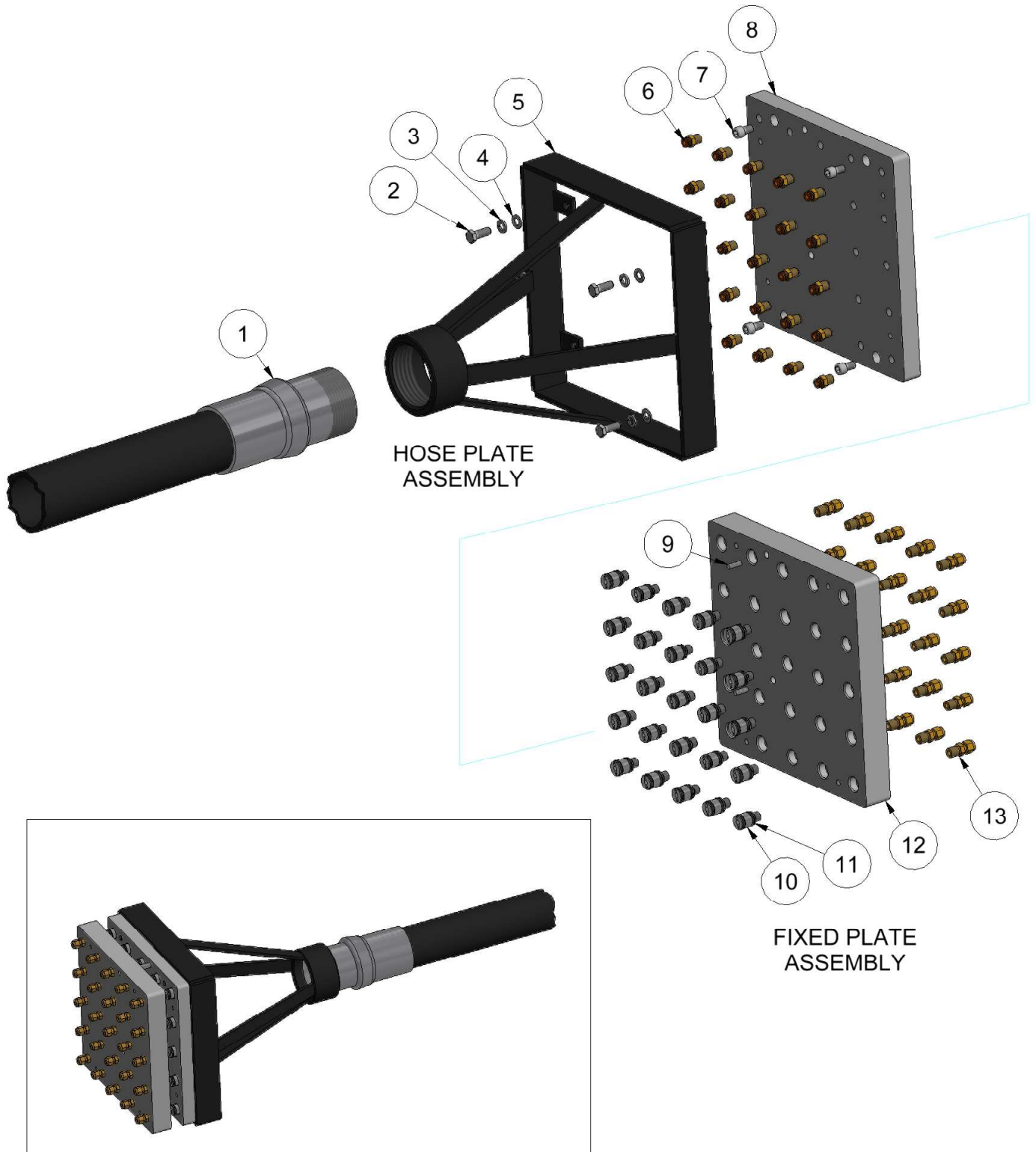


Item	Description	Part Number	Qty
1	3" Strain Relief w/Clamps	90100314	1
2	Socket Head Cap Screw	90100280	14
3	Hex Bolt	90100275	8
4	Lock Washer	90100292	8
5	Washer	90100291	8
6	JR-24 Stainless Steel Cover	90100310	1
7	1/4" NPT x 3/8" Polytube Elbow	70400240	24
8	JR-24 Hose Plate	90100305	1
9	JR-24 Gasket	90100300	1
10	Roll Pin	90100220	2
11	JR-24 Fixed Plate	90100295	1
12	1/4" NPT X 1/4" Tube Brass Male Connector	70100645	24
13	3/8" x #24 Hose (Not Shown)	45250120	*

* Common hose size. Call for other available sizes

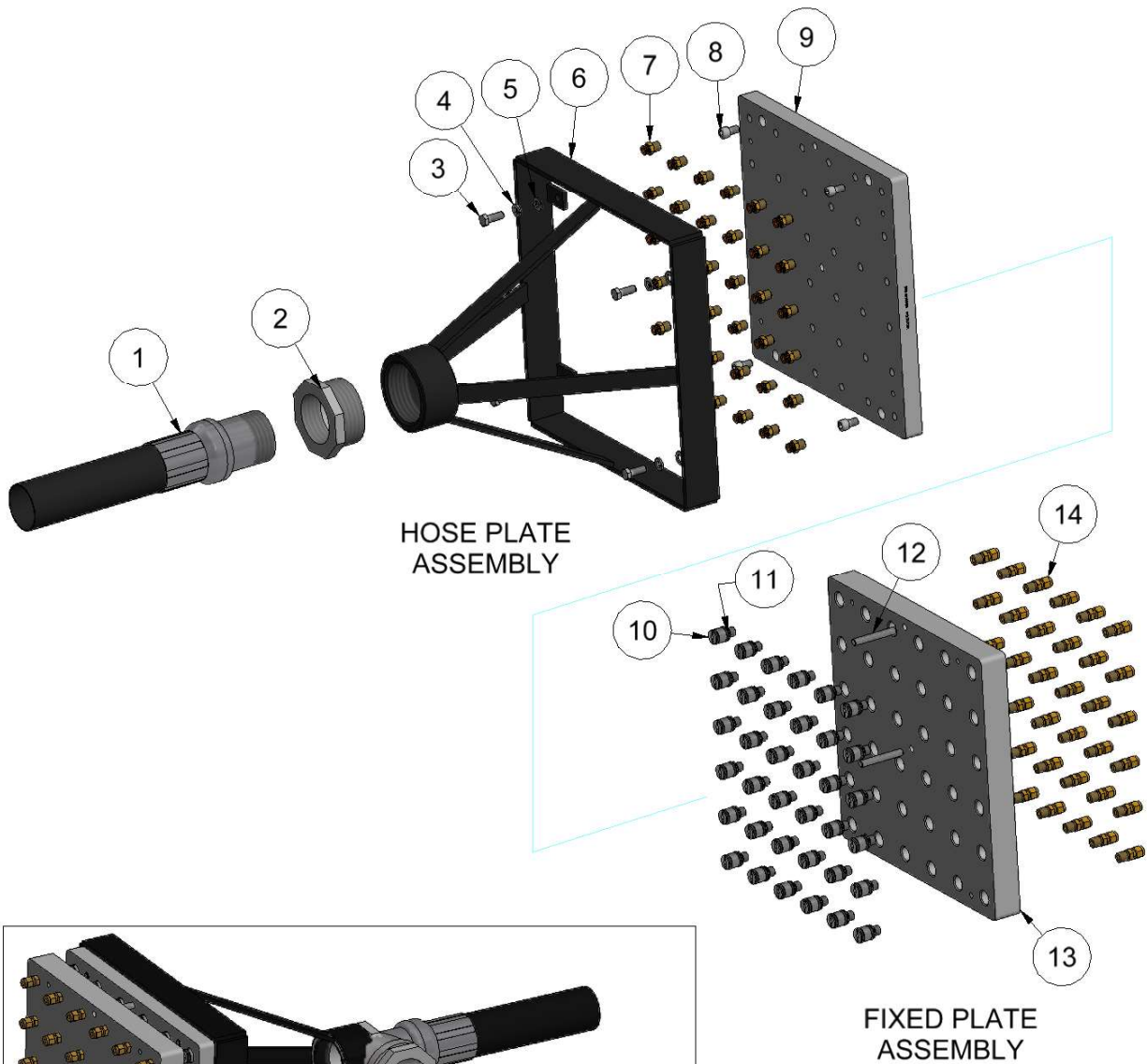
REMOTE HOSE

SB-25 HOSE ASSEMBLY



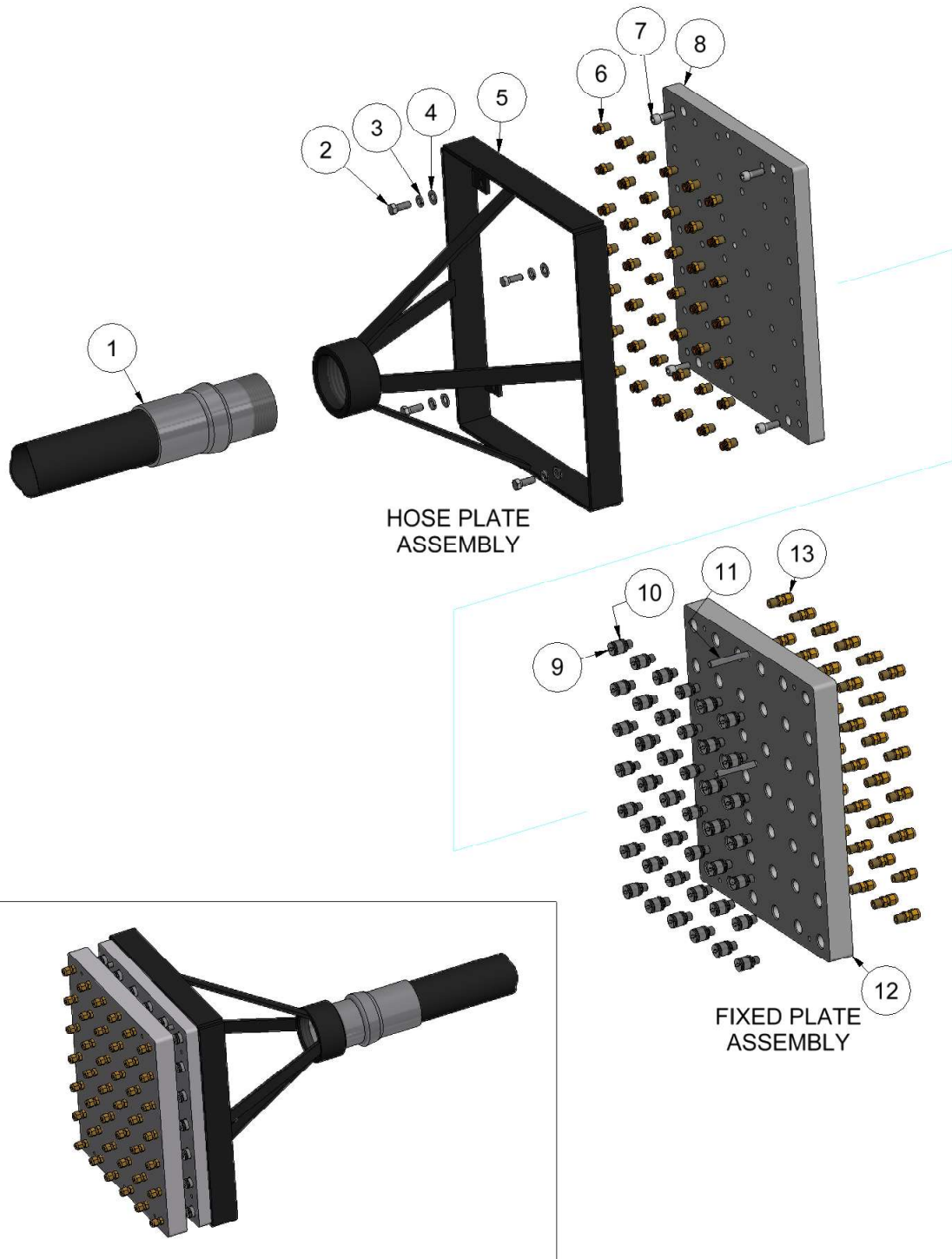
Item	Description	Part Number	Qty
1	3" Strain Relief w/Clamps	90100314	1
2	Hex Bolt	90100521	4
3	Lock Washer	90100526	4
4	Flat Washer	90100527	4
5	SB-25 Mounting Bracket Straight	90100453	1
5	SB-25 Mounting Bracket 45° (Not Shown)	90100450	1
5	SB-25 Mounting Bracket 90° (Not Shown)	90100449	1
6	1/4" NPT x 3/8" Polytube Male Connector	70400215	25
7	Socket Head Cap Screw	90100530	4
8	SB-25 Hose Plate	90100452	1
9	Roll Pin	90100401	2
10	Seal Sub	90100440	25
11	Seal Sub O-Ring	90100396	50
12	SB-25 Fixed Plate	90100451	1
13	1/4" NPT X 1/4" Tube Brass Male Connector	70100645	25
14	3/8" x #24 Hose (Not Shown)	45250120	*

* Common hose size. Call for other available sizes



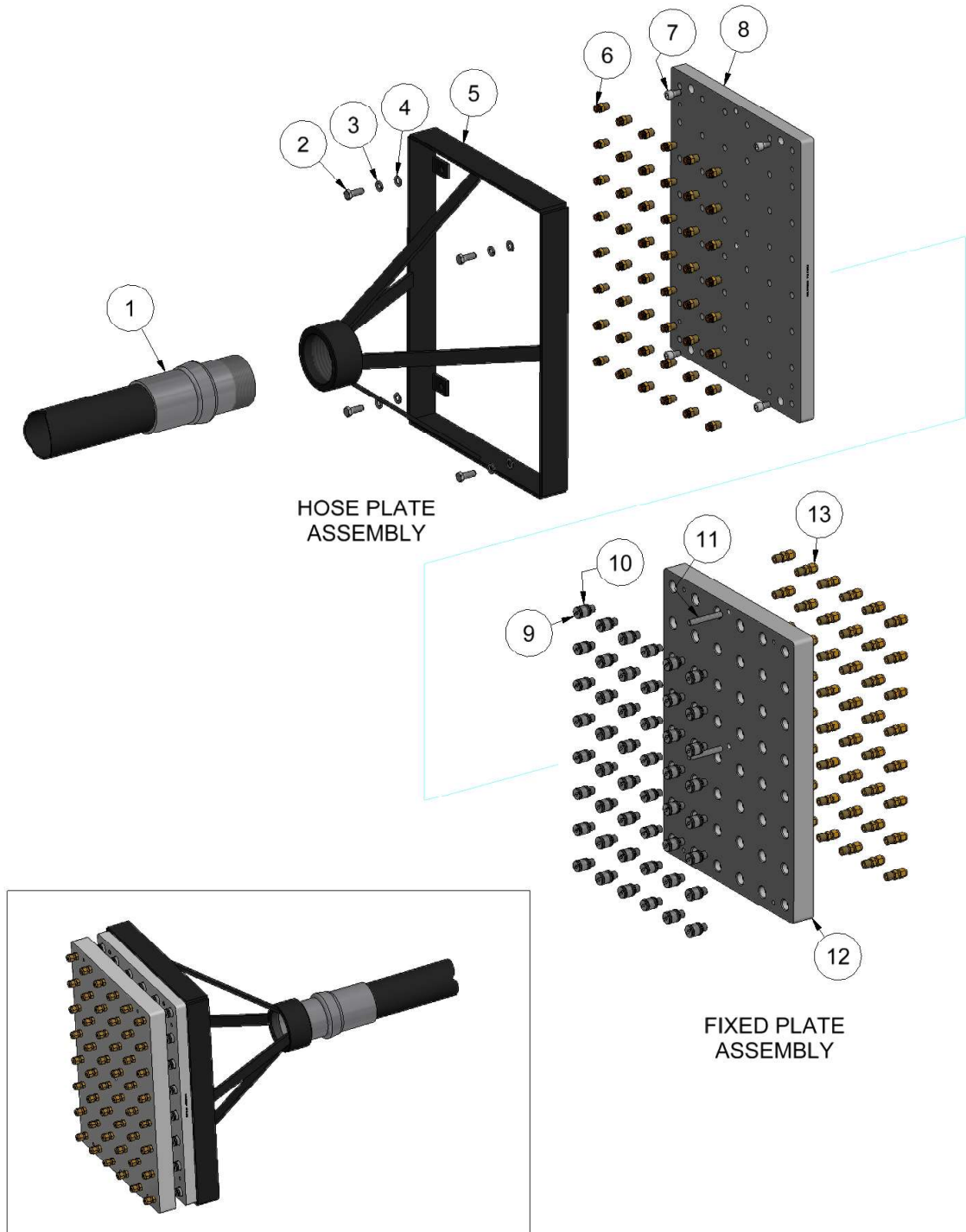
Item	Description	Part Number	Qty
1	2-1/2" Strain Relief w/Clamps	90100286	1
2	Bushing 3" x 2-1/2"	50200025	1
3	Hex Bolt	90100521	4
4	Lock Washer	90100526	4
5	Flat Washer	90100527	4
6	SB-36 Mounting Bracket Straight	90100462	1
6	SB-36 Mounting Bracket 45° (Not Shown)	90100463	1
6	SB-36 Mounting Bracket 90° (Not Shown)	90100464	1
7	1/4" NPT x 1/4" Polytube Male Connector	70400215	36
8	Socket Head Cap Screw	90100530	4
9	SB-36 Hose Plate	90100455	4
10	Seal Sub	90100440	36
11	Seal Sub O-Ring	90100396	72
12	Roll Pin	90100401	2
13	SB-36 Fixed Plate	90100460	1
14	1/4" NPT X 1/4" Tube Brass Male Connector	70100645	36
15	1/4" x #40 Hose (Not Shown)	45250117	*

* Common hose size. Call for other available sizes



Item	Description	Part Number	Qty
1	3" Strain Relief w/Clamps	90100314	1
2	Hex Bolt	90100521	4
3	Lock Washer	90100526	4
4	Flat Washer	90100527	4
5	SB-42 Hose Plate Mounting Bracket Straight	90100475	1
5	SB-42 Hose Plate Mounting Bracket 45° (Not Shown)	90100480	1
5	SB-42 Hose Plate Mounting Bracket 90° (Not Shown)	90100485	1
6	¼" NPT x ¼" Polytube Male Connector	70400215	42
7	Socket Head Cap Screw	90100530	4
8	SB-42 Hose Plate	90100465	1
9	Seal Sub	90100440	42
10	Seal Sub O-ring	90100396	84
11	Roll Pin	90100401	2
12	SB-42 Fixed Plate	90100470	1
13	¼" NPT X ¼" Tube Brass Male Connector	70100645	42
14	¼" X #44 Hose (Not Shown)	45250118	*

* Common hose size. Call for other available sizes



Item	Description	Part Number	Qty
1	3" Strain Relief w/Clamps	90100314	1
2	Hex Bolt	900100521	4
3	Lock Washer	90100526	4
4	Flat Washer	90100527	4
5	SB-48 Mounting Bracket Straight	90100515	1
5	SB-48 Mounting Bracket 45° (Not Shown)	90100520	1
6	SB-48 Mounting Bracket 90° (Not Shown)	90100525	1
6	¼" NPT x ¼" Polytube Male Connector	70400215	48
7	Socket Head Cap Screw	90100530	4
8	SB-48 Hose Plate	90100510	1
9	Seal Sub	90100440	48
10	Seal Sub O-ring	90100396	96
11	Roll Pin	90100401	2
12	SB-48 Fixed Plate	90100500	1
13	¼" NPT X ¼" Tube Brass Male Connector	70100645	48
14	¼" x #52 Hose (Not Shown)	45250119	*

* Common hose size. Call for other available sizes



GAUGES

Gauges are all Stainless Steel Construction, with a Laminated Safety Glass Lens, and Full Blow-Out Protection. The glycerin filled Case provides lubrication and shuts out dirty atmospheres thereby reducing wear on moving parts and substantially prolonging gauge life. Engineered to withstand 300% full scale pressure without rupture of the bourdon tube, and withstand 130% of full scale pressure without loss of accuracy.

Pressure connection is ¼" MNPT for all gauges through 10,000 PSI. Pressure connection is ¼" Female Medium Pressure for 15,000 & 20,000 PSI and ¼" Female High Pressure for 30,000 PSI.

REAR FLANGE GAUGES



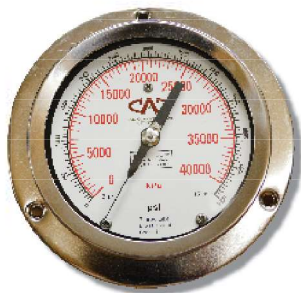
Size	Pressure Range	Part Number
4"	0-3,000 PSI	25155100
4"	0-6,000 PSI	25155105
4"	0-10,000 PSI	25155110
6"	0-3,000 PSI	25150100
6"	0-6,000 PSI	25150105
6"	0-10,000 PSI	25150110
6"	0-15,000 PSI	25150115
6"	0-20,000 PSI	25150120
6"	0-30,000 PSI	25150130

PANEL MOUNT GAUGES



Size	Pressure Range	Part Number
2½"	0-300 PSI	25100110
2½"	0-3,000 PSI	25100101
2½"	0-6,000 PSI	25100100
4"	0-3,000 PSI	25155120
4"	0-6,000 PSI	25155125
4"	0-10,000 PSI	25155130
6"	0-3,000 PSI	25150101
6"	0-6,000 PSI	25150106
6"	0-10,000 PSI	25150111

RECEIVER GAUGES



These remote panel gauges are designed to take an input air-signal of 0-15 PSI from the hydro-pneumatic pressure transmitters on the main unit and indicate the corresponding hydraulic pressure on the gauge face.

Size	Indicated Pressure Range	Part Number
2 1/2"	0-3,000 PSI	25160130
2 1/2"	0-6,000 PSI	25160135
2 1/2"	0-10,000 PSI	25160140
4"	0-300 PSI	25155152
4"	0-3,000 PSI	25155155
4"	0-6,000 PSI	25155160
4"	0-10,000 PSI	25155165
4 1/2"*	0-300 PSI	25160105
4 1/2"*	0-3,000 PSI	25160110
4 1/2"*	0-6,000 PSI	25160115
4 1/2"*	0-10,000 PSI	25160120
6"	0-3,000 PSI	25220105
6"	0-6,000 PSI	25220110

*Dry- No Glycerin Fill

STEM MOUNT GAUGES



Connection Type	Size	Pressure Range	Part Number
1/4" NPT BOTTOM	1 1/2"	0-160 PSI	25100127
1/4" NPT CENTER BACK	2"	0-30 PSI	25100120
1/4" NPT CENTER BACK	2"	0-160 PSI	25100125
1/4" NPT BOTTOM	2 1/2"	0-300 PSI	25100115
1/4" NPT BOTTOM	2 1/2"	0-3,000 PSI	25100116
1/4" NPT BOTTOM	2 1/2"	0-6,000 PSI	25100105
1/4" NPT BOTTOM	4"	0-3,000 PSI	25155135
1/4" NPT BOTTOM	4"	0-6,000 PSI	25155140
1/4" NPT BOTTOM	4"	0-10,000 PSI	25155145



PNEUMATIC COMPONENTS

PNEUMATIC COMPONENTS

SHUTTLE VALVE



Size

Part Number

1/4" NPT

85300105

AIR REGULATORS



Size

Part Number

1/4" NPT

60350116

3/8" NPT

60350114

1/2" NPT

60350115

3/4" NPT

60350119

1" NPT

60350120

PANEL MOUNT AIR REGULATORS



Size

Part Number

1/4" NPT

60350105

FILTER /REGULATORS



Size

Part Number

1/4" NPT

60350110

PNEUMATIC COMPONENTS

AIR FILTERS



Size	Part Number
¼" NPT	60200105
½" NPT	60200110
1" NPT	60200115
1-½" NPT	60200120

AIR LUBRICATORS



Size	Part Number
¼" NPT	60250105
½" NPT	60250110
1" NPT	60250115
1-½" NPT	60250120

HYDRAULIC TO AIR PRESSURE TRANSMITTER



Size	Part Number
0-3,000 PSI	90160100
0-6,000 PSI	90160105
0-10,000 PSI	90160110
Tube Kit	90160398
Repair Kit	90160399



ELECTRICAL

CONNECTORS



1.



2.

Description

1. Profibus PG Programming Connector
- Profibus Connector 90 Deg.
2. 1E FC RJ45, 180 Deg.

Part Number

- 80110139
80110141
80110137

COMMUNICATION MODULES



1.



2.

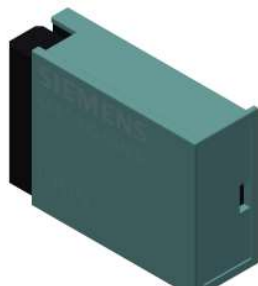
Description

1. Simatic DP, RS485 Repeater, Profibus/MPI
2. Optical, Glass Fiber, Profi-net, simatic net, scalance X204-2 (2 Fiber-4 RJ45)

Part Number

- 80110145
80110126

MEMORY MODULES



Description

- Memory Module, 4MB
512K
Compact Flash for Touchscreens
CPlug, 32MB

Part Number

- 80116120
80110153
80110186
80110126-CPLUG

NOTE:

All memory modules must be programmed prior to shipment

DIGITAL METERS



Meter, Digital, 4-20mA
loop powered, std setup

NOTE:

Replaces 90500100
90500105
90500110

Range

0-99,999 PSI
0-9,999 Gal

Part Number

90500128
90500129

PRESSURE TRANSMITTERS



A compact transmitter that features all stainless steel construction and is hermetically sealed. Has an accuracy of .5 %

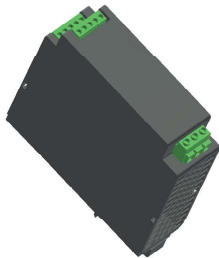
Size

0-300 PSI
0-3000 PSI
0-6000 PSI
0-7500 PSI
0-10000 PSI
0-15000 PSI
0-20000 PSI

Part Number

90100110
90100105
90100100
90100115
90100130
90100095
90100152

POWER SUPPLIES









Description

Power Supply, Primary-Switched, C1D2, 120VAC-24VDC, 5A
Power Supply, Primary-Switched, C1D2, 120VAC-24VDC, 10A
Power Supply, Primary-Switched, ATEX/IECEX, 120VAC-24VDC, 10A
Diode, Redundance Module, IECEX, C1D2
Diode, Redundancy Module, IECEX, 2x10A
Power Supply, Non-Hazardous, 120VAC-24VDC, 5A

Part Number

80250160
80250162
80250163
80250164
80250165
80250167

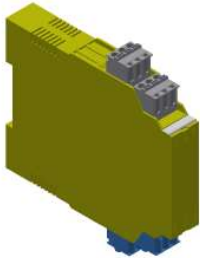
CIRCUIT BREAKERS

	Description	Part Number
1. 	1. Single Pole, 6 Amp (safe area)	80210195
2. 	2. Double Pole, 10 Amp (safe area)	80210205
3. 	3. Miniature. Ex, 2-Pole, 10 Amp (Zone 1)	80210300
4. 	4. Miniature, Ex, 1-Pole, 6 Amp (Zone 1)	80210305
5. 	5. Single Pole, 10 Amp	80210370
6. 	6. Single Pole, 5 Amp	80210375

INTRINSICALLY SAFE BARRIERS

Part Number

80270112



Amplifier, switching



Barrier, Dual-relay, isolating switching amplifier

80270130



Isolator, I.S., Driver, Digital out, NE Loads, Loop powered, 1-CH, 24V, ATEX/IECEX

80270305



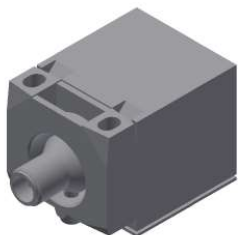
Driver, Isolating, Dual Channel, 4-20 mA, I.S.

80270310

PROXIMITY SWITCHES

Part Number

90103100



Proximity Sensor

Proximity Sensor, inductive,
2 wire potted cable

90103104

Proximity Sensor, inductive,
3 wire potted cable

90103105

PRESSURE SWITCHES



Piston style switch features all stainless steel design with 15,000 PSI proof pressure. Is field adjustable and has UL & ATEX approvals for hazardous atmosphere operation.

Hazardous

Size	Part Number
840-5000 PSI Range	55260100
500-3000 PSI Range	55260102
10-150 PSI Range	55260104

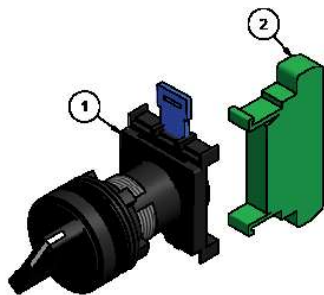


Piston style switch features all stainless steel design with 8,000 PSI proof pressure. Rated for IP67 for harsh environments.

Non-Hazardous/Intrinsically Safe

100-1000 PSI Range	55250215
500-5000 PSI Range	55250225
40-200 PSI Range	55250205

SELECTOR SWITCH NEMA 4X



1.



Item	Description	Part Number
1	2-Position	80300650
1	2-Position	80302130
1	3-Position	80302132
2	Contact Block	N.O. 80302134

FLOAT SWITCHES	Type	Size	Part Number
----------------	------	------	-------------



Electric Contact Switch	1-1/2" MNPT	55290100
Pneumatic Valve Switch	2" MNPT	55290105

Electric Float Switch	1/2" MNPT	55280115
-----------------------	-----------	----------



ELECTRIC PRESSURE SWITCH	Pressure Range	Part Number
--------------------------	----------------	-------------



UL approved for operation in Class I Div 1 atmospheres. Bourdon Tube switch has an externally adjustable set point and 316 stainless steel wetted components.

Haz. Area Pressure Switch	55300100
Nema 4X Pressure Switch	55400100
Repair Kit	55300999

Digital Pressure switch for hazardous areas w/transducer

0-6000 PSI	55320101
------------	----------

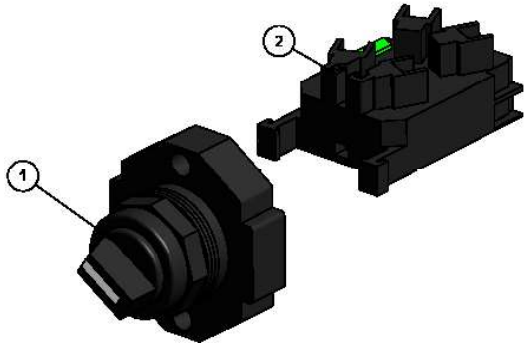
ELECTRIC PRESSURE SWITCH	Pressure Range	Part Number
--------------------------	----------------	-------------



A stainless steel dual piston switch with separate high & low pressure set points for precise control. Rated for Class I Div I and compliant with UL, ATEX, Russian, & Chinese agency requirements.

Haz. Area Pressure Switch	55310100
	55320101

ON/OFF SWITCH CLASS 1 DIV 2



Item	Description	Part Number
1	Switch	80302158
2	Contact Block N.O.	80302166
2	Contact Block N.C.	80302167

ON/OFF SWITCH ZONE 1 ATEX/IECEX



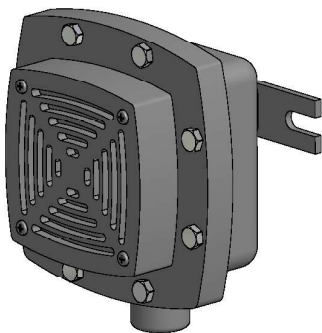
Description	Part Number
Switch	80300450

HORN, PANEL MOUNT 24V



Item	Description	Part Number
1	General Purpose	80350115
2	Zone 0, I.S.	80350180

HORN, CLASS 1 DIV 1 NEMA 4X



Volts	Part Number
24 VDC	80350110
120 VAC	80350105

PILOT LIGHT CLASS 1 DIV 2



Color	Volts	Part Number
Amber	24 VDC	80302156
Green	24 VDC	80302154
Red	24 VDC	80302152
Amber	120 VAC	80302157
Green	120 VAC	80302155
Red	120 VAC	80302153

PILOT LIGHT ZONE 1 ATEX/IECEX



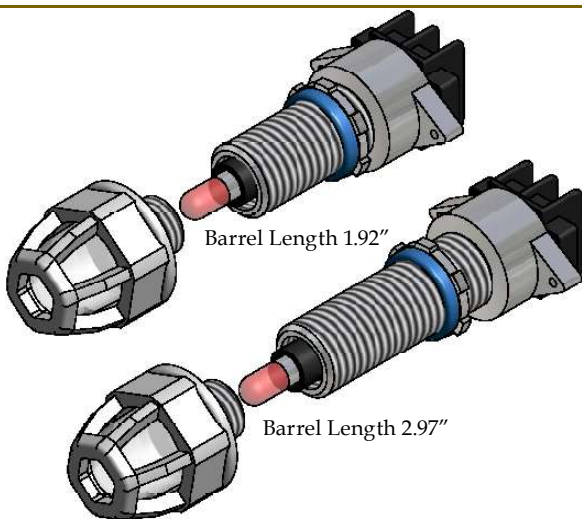
Color	Volts	Part Number
Red	24 VDC	80300430
Green	24 VDC	80300432
Yellow	24 VDC	80300434

PILOT LIGHT NEMA 4X, 22 MM



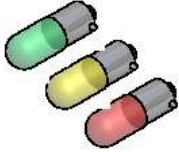
Color	Volts	Part Number
Red	24 VDC	80300620
Green	24 VDC	80300625
Yellow	24 VDC	80300630

PILOT LIGHT, CLASS 1 DIV 1 LED W/ TERMINAL BLOCK



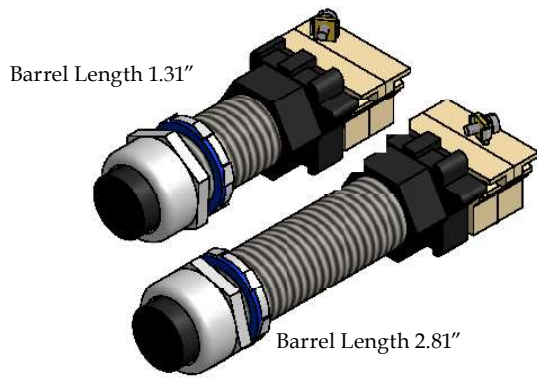
Body	Color	Volts	Part Number
Short	Red	120V	80301110
Short	Green	120V	80301112
Short	Amber	120V	80301114
Long	Red	120V	80301120
Long	Amber	120V	80301124
Long	Red	24 V	80301121
Long	Amber	24 V	80301125

REPLACEMENT LED'S



Color	Volts	Part Number
Amber	24V	80620164
Green	24V	80620162
Red	24V	80620160
Amber	120V	80620170
Green	120V	80620168
Red	120V	80620166

PUSH BUTTON ASSY, CLASS 1 DIV 1 W/ CONTACT BLOCK



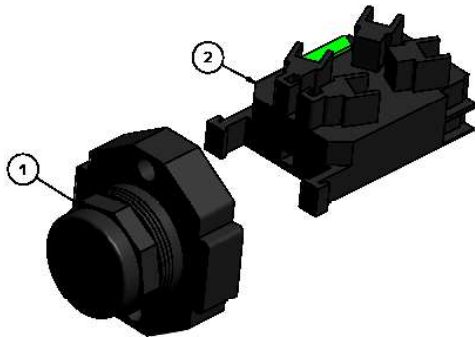
Body	Part Number
Short	80301101
Long	80301100

PUSH BUTTON ASSY, ZONE 1 ATEX/IECEX



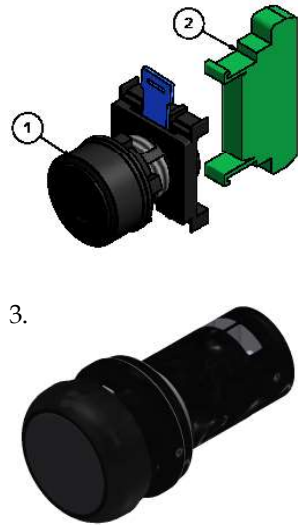
Body	Part Number
Push Button	80300400
Panel Mount	

PUSH BUTTON CLASS 1 DIV 2



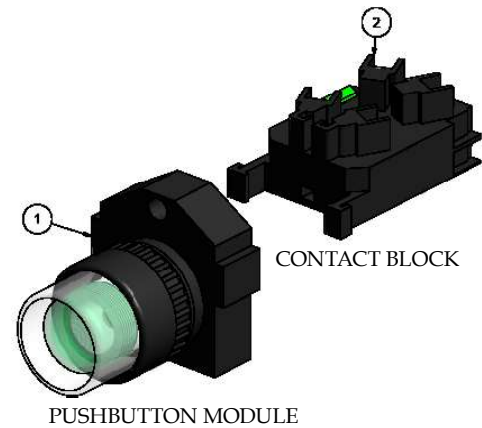
Item	Description		Part Number
1	Pushbutton Module	BLACK	80302150
2	Contact Block	N.O.	80302166

PUSH BUTTON NEMA 4X



Item	Description		Part Number
1	Pushbutton Module	BLACK	80302100
2	Contact Block	N.O.	80302134
3	Pushbutton Switch	BLACK	80300600

ILLUMINATED PUSH BUTTON CLASS 1 DIV 2



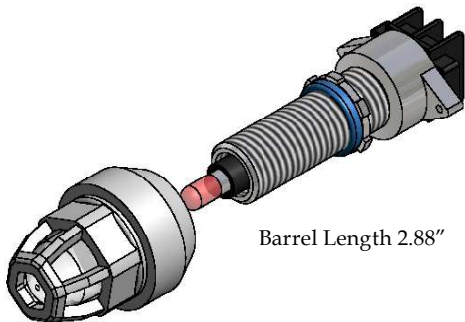
Item	Color	Volts	Part Number
1	Green	24 VDC	80302162
1	Red	24 VDC	80302160
1	Green	120 VAC	80302163
1	Red	120 VAC	80302161
2	Contact Block	N.O.	80302166

ILLUMINATED PUSH BUTTON ZONE 1 ATEX/IECEX



Color	Part Number
Red	80300410
Green	80300420
Yellow	80300426

ILLUMINATED PUSHBUTTON, CLASS 1 DIV 1 W/TERMINAL BLOCK



Body	Color	Volts	Part Number
Long	Red	24V LED	80301126
Long	Green	24V LED	80301127
Long	Red	120V LED	80301128
Long	Green	120V LED	80301129

SOLENOIDS & SOLENOID MANIFOLDS

1.



1. Solenoid Valve, 2-Way, N/C, C1D1

Volts Part Number

24 VDC

86100101






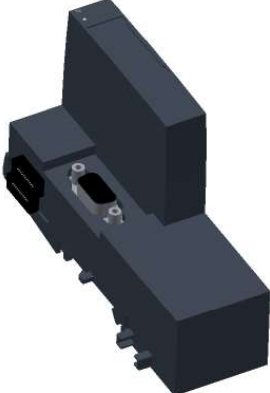

2. Solenoid Manifold, 8-Dual, C1D2/Zone 2

24 VDC

86104100

2.



PLCS	Item	Description	Part Number
<p>1.</p> 	1	CPU, S71211, DC/DC/DC, 24V DC	80113102
	2	CPU ET 200SP1512SP-1PN	80116100
	3	Bus Adapter, ET 200SP BUS BA2X-2RT45	80116110
	4	Module, Communication, Profibus DP, CM DP	80116130
	5	Module, Input, Digital, 16 Point, 24 VDC ST	80116150
	6	Module, Output, Digital, 16x24 V DC/.5A ST	80116162
	7	Module, Input, Analog, AI 8x1 2-/4-Wire	80116170
	8	Terminals, Push-In, Baseunit, New Loadgroup, Simatic ET200SP	80116190
	9	Terminals, Push-In, Baseunit, Bridged to left, Simatic ET200SP	80116192
<p>2.</p> 	<p>5.</p> 	<p>7.</p> 	
			<p>3.</p> 
<p>4.</p> 	<p>9.</p> 		



ACCESSORIES

HALF MOON GRAPHICS

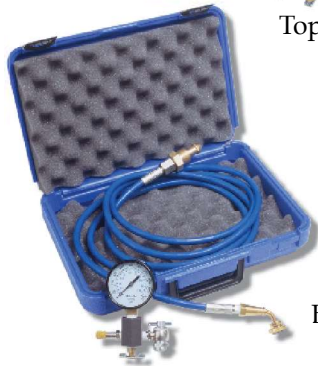


Size	Part Number
Blank	30150115
Annular	30150120
1½" Annular	30150121
Blind Ram	30150125
By-Pass	30150130
Choke Line	30150135
Flow Line	30150140
Kill Line	30200012
HCR	30200013
Pipe Rams	30200014

CHARGING & GAUGING ASSEMBLIES



Top Repairable



Bottom Repairable

Type	Part Number
3,000 PSI Bottom Repairable Accumulator	10500100
3,000 PSI Top Repairable Accumulator	10500107
5,000 PSI Bottom Repairable Accumulator	10500105