

GXS-120 Series

120 VAC Remote Visual Signal

24 units per carton, 12 pounds per carton

Applications

The GXS-120 Series is a high quality remote visual signaling appliance that offers dependable remote annunciation. The GXS-120 is ideal for applications where a dependable visual alarm is required in applications such as hotels, dormitories and apartments.

The GXS-120 Series has a constant flash rate of 1Hz. The GXS-120 Series is provided with a two position terminal block (12-18AWG).

The GXS-120 has a 177 candela strobe that meet the requirements of the ADA. GXS-120 appliances are ANSI/UL 1971 listed and are warranted for three years from the date of purchase.

Standard Features

- Nominal voltage 120 VAC
- 177 candela strobe meets the requirements of NFPA 72 and meets the requirements of ADA
- Unit Dimensions:: 4.5" (11.43 cm) high x 4.56" (11.58 cm) wide x 2.25" (5.72 cm) deep
- Terminal blocks (12-18 AWG)
- Flash rate 1 Hz
- Wide variety of mounting options for new construction and retrofit applications
- Faceplate available in red or off-white
- Ceiling and wall mount models

GXS-120 Series Remote Strobe

Model	Part Number	Candela
GXS-120177WR	904-0780-002	177
GXS-120177WW	904-0758-002	177
GXS-120177CR	904-0781-002	177
GXS-120177CW	904-0759-002	177

GXS-120 Series Strobe Current Ratings (mA)

Candela	UL Max
177 cd	209 mA

W = Wall mount C = Ceiling mount

R = Red Faceplate, W = White Faceplate

All units are available in plain (no lettering)
Plain units are not returnable

Notes

- Operating temperature: 32° to 120°F (0° to 49°C)
- The GXS-120 Series is not listed for outdoor use



Product Listings



- ANSI/UL 1971
- CSFM Listing 7125-569:114
- BFP (City of Chicago)
- MEA #285-91-E

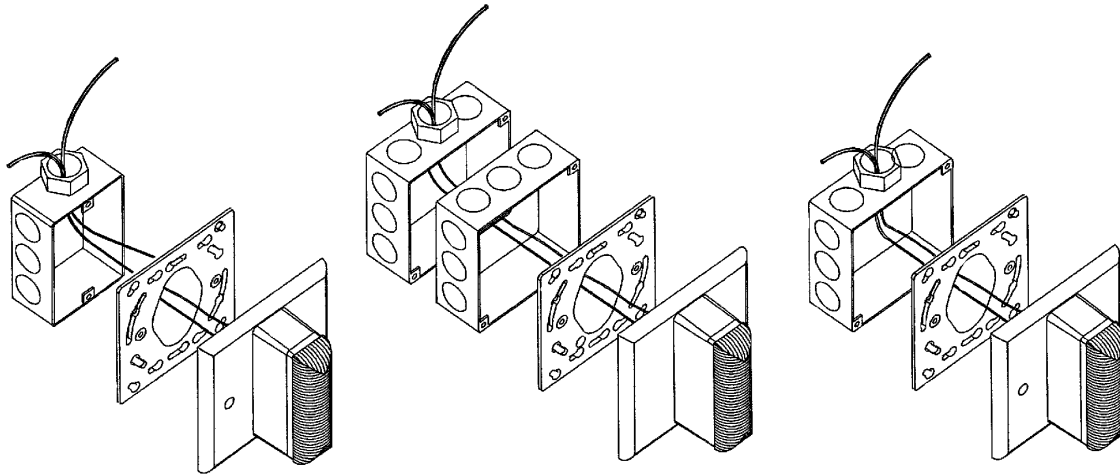
Product Compliance

- Americans with Disabilities Act (ADA)
- NFPA 72
- IBC/IFC/IRC
- Quality Management System is certified to: ISO 9001:2008

GXS - 120 Series

120 VAC Remote Visual Signal

Mounting Rough-in Box and Run Wiring



Architect & Engineering Specifications

The visual signal shall be the Gentex Model GXS-120 Series or approved equal and shall be listed by Underwriters Laboratories (ANSI/UL) for use with fire protective signaling systems (ANSI/UL 1971) with intended use in fire alarm systems. The visual appliance shall be installed in accordance with the appropriate provisions of the National Fire Protection Association, American National Standards or other applicable state and local requirements. The visual signal shall be capable of mounting to a single gang, double gang, double work box or 4" square back box. The visible signaling appliance shall also maintain a minimum flash rate of 1 Hz regardless of power input voltage. The strobe appliance shall have an operating current of 209 mA or less at 120 VAC for the 177 Cd strobe circuit.

GENTEX
CORPORATION

Fire Protection Products Group | 10985 Chicago Drive | Zeeland, MI 49464
gentex.com | Phone: 616.392.7195 | Toll-free: 800.436.8391 | Fax: 616.392.4219

551-0036-05

Important Notice: These materials have been prepared by Gentex Corporation ("Gentex") for informational purposes only, are necessarily summary, and are not purported to serve as legal advice and should not be used as such. Gentex makes no representations and warranties, express or implied, that these materials are complete and accurate, up-to-date, or in compliance with all relevant local, state and federal laws, regulations and rules. The materials do not address all legal considerations as there is inevitable uncertainty regarding interpretation of laws, regulations and rules and the application of such laws, regulations and rules to particular fact patterns. Each person's activities can differently affect the obligations that exist under applicable laws, regulations or rules. Therefore, these materials should be used only for informational purposes and should not be used as a substitute for seeking professional legal advice. Gentex will not be responsible for any action or failure to act in reliance upon the information contained in this material. Gentex Corporation reserves the right to make changes to the product data sheet at their discretion.