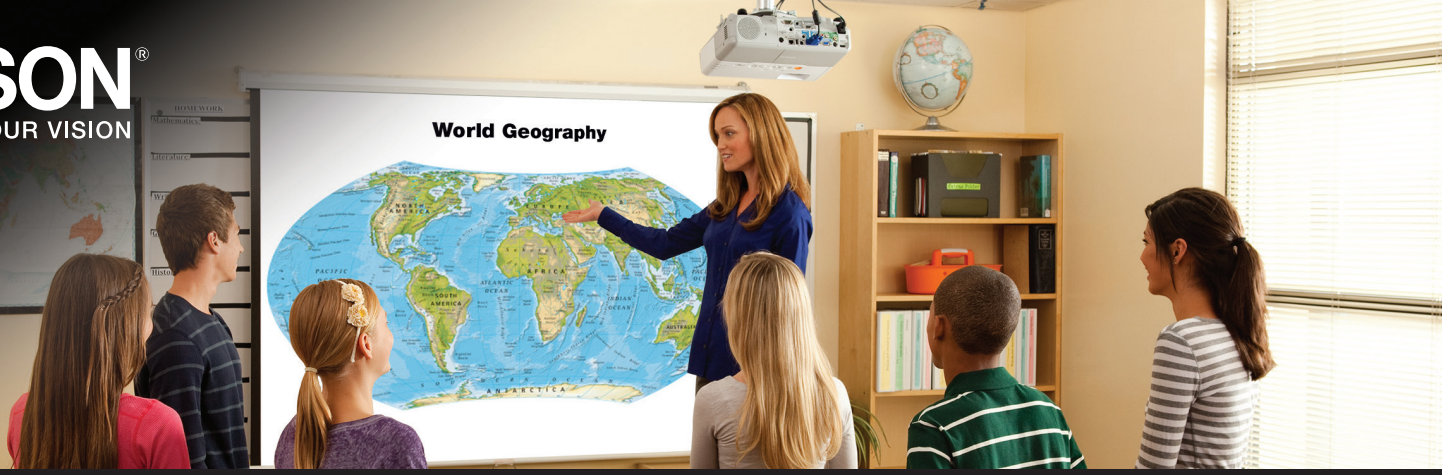


EPSON[®]
EXCEED YOUR VISION



PowerLite[®] 935W WXGA 3LCD Projector



A new level of brightness for engaging classroom instruction.

3x Brighter Colors¹, and reliable performance — 3LCD, 3-chip technology

One measurement of brightness is not enough — look for both high color brightness and high white brightness. The 935W has:

Color Brightness: 3700 lumens²

White Brightness: 3700 lumens²

Larger-than-life, widescreen images — native high-definition WXGA (1280 x 800) resolution and 16:10 aspect ratio

1.6x optical zoom — expand your projector placement or installation flexibility; get sharp, clear images with no digital distortion

Full digital and network connectivity — HDMI, RJ-45 and optional wireless for remote projector management and content over IP



PowerLite® 935W WXGA 3LCD Projector

A New Level of Brightness for Engaging Classroom Instruction.

The PowerLite 935W brings larger-than-life, widescreen images and astonishing brightness to your classroom. Delivering 3700 lumens of color brightness and 3700 lumens of white brightness², it's suitable for almost any lighting condition. The 935W is equipped with a microphone input and premium 16 W speaker, so all your students will hear the lesson, without costly speakers or voice strain. Connect your projector to your laptop or Blu-ray® player via HDMI, to enhance your presentation. Or, display and control content from your iOS or Android™ mobile device with the Epson iProjection™ App³. You can even present over the network, broadcast important messages⁴ and monitor and control networked projectors remotely.

3x Brighter Colors with Epson¹

Brilliant image quality requires high color brightness (color light output), and Epson 3LCD projectors have 3x Brighter Colors than leading competitive projectors¹.

One brightness measurement (lumens) is not enough. A projector's specification needs to show both high color brightness and high white brightness. If color brightness is lower than white brightness, images may be dark, dull and lose detail. If not provided, be sure to ask for a projector's color brightness specification.



3LCD — The #1 projection technology in the world

- All 3LCD projectors have both high color brightness and high white brightness
- All 3LCD projectors have 3 chips
- 25% lower power consumption for lower energy costs⁵
- 20 years of road-tested reliability



Best-quality video

- HDMI digital connectivity — deliver both audio and brilliant video content with just one cable
- Compatible with the latest laptops, Blu-ray and media players



High color brightness and high white brightness



Color brightness significantly lower than white brightness

Actual photograph of side by side projected images from an identical signal source. Price, resolution and white brightness are similar for both projectors (Epson 3LCD and 1-chip DLP competitor). Both projectors are set to their brightest mode.

Remarkable widescreen performance

The PowerLite 935W features WXGA resolution (1280 x 800, 16:10 aspect ratio), making it ideal for use with the latest-generation widescreen computers. It gives you:

- 30% more image area than a 4:3 image
- 10% more image area than a 16:9 image

The PowerLite 935W still allows you to display 4:3 and 16:9 content.



1024 x 768 (4:3 aspect ratio)



1280 x 800 (16:10 aspect ratio)

The best-selling projectors in the world

Built with image quality and reliability in mind, Epson projectors enhance communication and inspire collaboration, while offering a low total cost of ownership. From long-throw projectors designed for traditional educational settings to ultra-short-throw and all-in-one solutions built for progressive classrooms, Epson has the model made for you.





RJ-45 network connectivity

- Project presentations over the network — transmit both audio and video with a single connection
 - Display images from any networked location (even remotely), or, in up to 4 different classrooms simultaneously
 - Connect wirelessly, via a network access point, to promote collaborative sharing and an engaging learning environment
- Easily monitor/control networked Epson projectors remotely, using the RJ-45 connector and EasyMP® Monitor software



iPad®, tablet or smartphone connection

Display and control content from your iOS or Android mobile device with the Epson iProjection App and the PowerLite 935W³. This free application allows anyone to present from their mobile devices. To learn more about this app and the latest features, go to epson.com/projectorapp



Advanced 3-in-1 USB Plug 'n Play instant setup

- Three features, all with one standard USB connection — display your presentation, transmit audio and use your remote to control your presentation



Built-in closed captioning

- Essential for education — helps meet ADA508 requirements for students with hearing impairments
- Helps save money — no need to pay for an additional decoder and its installation



Fast, easy setup and image adjustments

- 1.6x optical zoom — expanded flexibility for projector placement or installation
- Automatic vertical keystone correction (+/- 30 degrees) — offers easy picture adjustments and great positioning flexibility
- Horizontal keystone correction (+/- 30 degrees) - allows for off-center positioning of the projector while still displaying a correctly proportioned image
- Quick Corner® — move any of the four corners of an image independently, to adjust for a perfectly rectangular picture

Additional Features/Benefits

- **Versatile connectivity for the classroom** — HDMI, USB, audio out, monitor out, computer/ VGA inputs and RS-232c
- **Expanded USB functionality** — partner your projector directly with the Epson DC-06 document camera, or deliver PC-free slide shows using USB flash drives (supports multiple image file formats — JPEG, PNG, GIF and BMP)
- **Broadcast your messages** — save time, paper and money by advertising events or broadcasting instructions to all networked Epson projectors⁴.
- **Added security in any environment** — convenient metal anchor bar and Kensington®- style lock support
- **Virtual remote control on your computer** — convenient projector remote control via a web browser (works when projector is connected to the network)

Built-in 16 W speaker and microphone input

- **Engage your classroom with 16 W of sound** — enable all students in the room to hear your lessons, without purchasing costly speakers or straining the teacher's voice
- **Standby audio out** — transmit audio to connected external speakers, even when the projector is "off" (in standby mode); saves energy since the projector is not in full power mode

Convenient control features

- **Direct Power On/Off** — power the projector on and off with the flip of a light switch
- **Instant Off®** — no cool down time required, so it's ready to shut down when you are
- **A/V Mute** — control your presentation using the remote or by closing the slide; it's right at your fingertips
- **Sleep Mode** — set from 1 to 30 minutes to save energy and lamp life when the A/V Mute Slide is closed or no signal is detected

Better Products for a Better Future™

For more information on Epson's environmental programs, go to eco.epson.com



Eco Features

- Energy-efficient 3LCD light engine
- Low power consumption of 0.3 W in Standby Mode (communication off)
- Energy-efficient E-TORL® lamp
- Recyclable product⁶
- Epson America, Inc. is a SmartWaySM Transport Partner⁷



PowerLite® 935W WXGA 3LCD Projector

Product Name	Product Code	UPC
PowerLite 935W projector	V11H565020	0 10343 90724 9
Genuine Epson Lamp	V13H010L64	0 10343 88384 0
Replacement Air Filter	V13H134A29	0 10343 88051 1

Specifications

Projection System
Epson 3LCD, 3-chip technology

Projection Method
Front/rear/ceiling mount

Driving Method
Epson Poly-silicon TFT Active Matrix

Pixel Number
1,024,000 dots (1280 x 800) x 3

Color Brightness²
Color Light Output: 3700 lumens

White Brightness²
White Light Output: 3700 lumens

Aspect Ratio
16:10

Native Resolution
1280 x 800 (WXGA)

Resize
640 x 480 (VGA), 800 x 600 (SVGA),
1024 x 768 (XGA), 1152 x 864 (SXGA),
1280 x 960 (SXGA2), 1280 x 1024 (SXGA3),
1360 x 768 (WXGA 60-2), 1440 x 900 (WXGA+),
1400 x 1050 (SXGA+), 1600 x 1200 (UXGA)
1680 x 1050 (WXGA+60)

Lamp Type
275 W UHE (E-TORL)

Lamp Life⁸
Up to 4000 hours (ECO Mode)
Up to 3000 hours (Normal Mode)

Throw Ratio Range
1.38 – 2.24

Size (projected distance)
29" to 280" (0.84 to 8.4 m)

Keystone Correction Automatic
Vertical ± 30 degrees

Keystone Correction Manual
Horizontal ± 30 degrees

Mac® Connectivity
Projector is Mac compatible via USB, DVI to
HDMI or VGA adapter (not included)

Contrast Ratio
Up to 2000:1

Color Reproduction
16.77 million colors

Projection Lens

Type
Manual optical zoom/Manual focus

F-number
1.51 – 1.99

Focal Length
18.2 mm – 29.2 mm

Zoom Ratio
Optical zoom 1.0 – 1.6

Other

Display Performance
NTSC: 480 lines
PAL: 576 lines
(Depends on observation of the
multi-burst pattern)

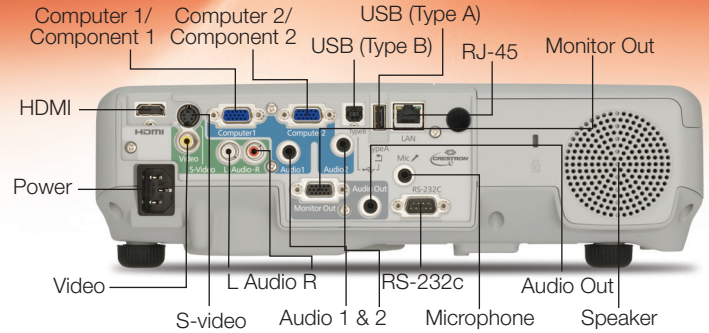
Input Signal
NTSC/NTSC4.43/PAL/M-PAL/N-PAL/
PAL60/SECAM

Interfaces
Computer/component video: D-sub 15 pin x 2
S-video: Mini DIN x 1
Composite video: RCA (Yellow) x 1
Audio in: RCA x 1 (L and R), Mini stereo x 2
USB connector: Type B x 1
(USB display, audio and mouse control)
USB connector: Type A x 1
(USB memory/document camera)
HDMI x 1
RJ-45 x 1
Serial: RS-232c x 1
Monitor out: D-sub 15 pin x 1
Audio out: Mini stereo x 1
Microphone: Mini stereo x 1
Wireless LAN port: 802.11 b/g/n
(optional – module sold separately)

Speaker
16 W (mono)

Operating Temperature
41 ° to 95 °F (5 ° to 35 °C)

Power Supply Voltage
100 – 240 V ± 10%, 50/60 Hz



Other (continued)

Power Consumption
403 W (Normal mode)
0.3 W Standby (communication off)

Fan Noise
39 dB (Normal Mode) / 35 dB (ECO Mode)

Security
Kensington-style lock provision
Padlock and security cable hole
Password protect function

Dimensions (W x D x H)

Including feet: 13.6" x 10.3" x 4.2"
Excluding feet: 13.6" x 10.3" x 3.7"

Weight
7.5 lb

Remote Control

Features
Source search, video, LAN, computer, USB,
power, aspect, color mode, volume, e-zoom,
A/V mute, freeze, menu, page up and down,
help, auto, mouse functions, user, esc

Operating Angle
Right/left: ± 30 degrees
Upper/lower: ± 30 degrees

Operating Distance
19 ft (6 m)

Support

The Epson Connection™
Pre-sales support
U.S. and Canada 800-463-7766
Internet website www.epson.com

Support (continued)

Service Programs
Two-year projector limited warranty, Epson
Road Service program, PrivateLine® dedicated
toll-free support and 90-day limited
lamp warranty

What's In The Box
PowerLite 935W projector, power cord,
computer cable (VGA), projector remote
control, batteries, user manual CD, projector
software CD, Quick Setup Sheet, and
password protection sticker

Accessory Part Numbers

Genuine Epson lamp	V13H010L64
Replacement air filter	V13H134A29
Wireless LAN unit (ELPAP07)	V12H418P12
Quick wireless connection USB key (ELPAP08)	V12H005M08
Epson DC-06 document camera	V12H321005
Epson DC-11 document camera	V12H377020
Epson DC-20 document camera	V12H500020
AP-60 projector sound solution	V12H329020
Universal projector ceiling mount	ELPMBPJF
Adjustable suspended ceiling channel kit	ELPMBP01
False ceiling plate kit	ELPMBP02
Structural round ceiling plate	ELPMBP03
Adjustable extension column (pipe) 8" - 11"	ELPMBP01
Component to VGA cable	ELPKC19
Kensington security lock	ELPSL01
Soft carrying case (ELPKS64)	V12H001K64
Duet™ screen	ELPSC80
ES3000 portable screen (ELPSC26H)	V12H002S3Y
BrightLink Solo™ interactive module (IU-01)	V12H415020
BrightLink Solo interactive module with RM Easiteach® (IU-01)	V12H415020RM
Replacement remote control	1519442
PixiePlus™ control system	ELPSP10

- 1 Compared to leading 1-chip DLP business and education projectors based on NPD data, July 2011 through June 2012. Color brightness (color light output) measured in accordance with IDMS 15.4. Color brightness will vary depending on usage conditions.
- 2 Color brightness (color light output) and white brightness (white light output) will vary depending on usage conditions. Color light output measured in accordance with IDMS 15.4; white light output measured in accordance with ISO 21118.
- 3 Check your owner's manual to determine if a separate wireless LAN module must be purchased separately to enable wireless connection on your Epson projector. Epson projectors can be networked either through the Ethernet port on the projector (check model specifications for availability) or via a wireless connection. Not all Epson projectors are able to be networked. Availability varies depending on model.
- 4 Works only with Epson projectors that support presentation over the network capability.
- 5 Data source: ProjectorCentral.com Jan. 2012. Average of 1122 shipping models for which the manufacturers provided lumens and total power data, all resolutions and brightness levels. Energy efficiency was measured as wattage per lumen. It was measured for both 3LCD and 1-chip projectors in each of five brightness segments. 3LCD projectors averaged less required electricity per lumen in each of the five segments.
- 6 See our website for convenient and reasonable recycling options at www.epson.com/recycle
- 7 SmartWay is an innovative partnership of the U.S. Environmental Protection Agency that reduces greenhouse gases and other air pollutants and improves fuel efficiency.
- 8 Lamp life will vary depending upon mode selected, environmental conditions and usage. Lamp brightness decreases over time.

Epson America, Inc.
3840 Kilroy Airport Way, Long Beach, CA 90806

Epson Canada Limited
185 Renfrew Drive, Markham, Ontario L3R 6G3

www.epson.com
www.epson.ca

EPSON, E-TORL, EasyMP, Instant Off, PowerLite and Quick Corner are registered trademarks, EPSON Exceed Your Vision is a registered logomark and Better Products for a Better Future and Epson iProjection are trademarks of Seiko Epson Corporation. PrivateLine is a registered trademark, BrightLink Solo and Duet are trademarks and Epson Connection is a service mark of Epson America, Inc. Android is a trademark of Google Inc. iPad and Mac are trademarks of Apple Inc., registered in the U.S. and other countries. SmartWay is a service mark of the U.S. Environmental Protection Agency. All other product and brand names are trademarks and/or registered trademarks of their respective companies. Epson disclaims any and all rights in these marks. Copyright 2013 Epson America, Inc. CPD-38982 1/13