



A **NIBE** GROUP MEMBER



- **Designed for high static applications**
- **Horizontal and Vertical product applications**
- **Upgrade to energy efficient EC motor**
- **Design flexibility**
- **Nominal CFM range of 600 to 2,000 CFM**

Hi-Performance Series

FAN COIL TECHNICAL CATALOG

International Environmental Corporation (IEC) works continually to improve its products. As a result, the design and specifications of each product may be changed without notice and may not be as described herein. Please contact IEC for information regarding current design and product specifications. Statements and other information contained herein are not express warranties and do not form the basis of any bargain between the parties but are merely IEC's opinion or commendation of its products. Manufacturer's standard limited warranty applies.

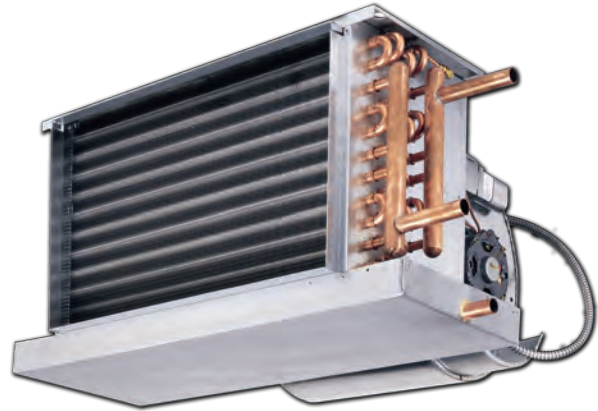
Table of Contents

4-5	Portfolio
6	Special Applications
7	Unit Model Key
8-9	Ratings and Listings
10-12	Air Delivery (60 Hz) – ECM
13-14	Motor Data
15-19	Sound Power Data
20	Electric Heating
21-34	Submittal Data
35	Coil Data
36-37	Air Flow Arrangements
38-46	Standard Features and Options
47	Piping Packages (Typical)

Portfolio

Hi-Performance Hideaway (HHY) 600 CFM to 2000 CFM

The Hi-Performance Hideaway (HHY) fan coil unit is designed specifically to meet the many varied requirements for a ceiling hideaway installation where there is a ducted, high-static application. Standard HHY units are constructed with 18 gauge galvanized steel and are provided with a galvanized finish.



Hi-Performance Cabinet (HLY) 600 CFM to 2000 CFM

The Hi-Performance Cabinet (HLY) fan coil unit is suited for under-ceiling, mounted applications where high capacities are required. HLY units are supplied with an integral double-deflection discharge grille and hinged bar type, return air grille with a throwaway filter. Standard HLY units are constructed with 18 gauge galvanized steel and are provided with a powder-coat paint finish. HLY units are not suitable for ducted applications.

Hi-Performance Hideaway w/ Plenum (HPY) 600 CFM to 2000 CFM

The Hi-Performance Hideaway with Plenum (HPY) fan coil unit provides the same basic features as the HHY plus a return air plenum. HPY units are shipped from the factory ready for installation with the plenum section in place. No field fabrication is required. HPY units are designed with interchangeable panels so that the unit may be modified on site to accommodate a rear or bottom return. Standard HPY units are constructed with 18 gauge galvanized steel and are provided with a galvanized finish.



Portfolio, Cont'd.



Hi-Performance Horizontal Cased (HXY)
600 CFM to 2000 CFM

The Hi-Performance Cased (HXY) fan coil unit is designed for above or below the ceiling and is ideal for high-static, ducted applications where high output is required. Standard HXY units are fabricated of 18 gauge steel and are provided with a galvanized finish.

Hi-Performance Vertical Cased (VEY)
600 CFM to 2000 CFM

The Hi-Performance Vertical Cased (VEY) fan coil unit is designed for floor-mounted, vertical, ducted applications. VEY units are typically enclosed in partition walls or located in closets, utility rooms or other concealed locations. VEY units have a top panel which is provided with a one-inch discharge duct flange and a removable front panel which provides complete access to coils, factory-furnished valve packages, motor-blower and electric-heater assemblies. VEY units are available with a front or bottom return. Standard VEY units are constructed with 18 gauge galvanized steel and are provided with a galvanized finish.



Special Applications

Application Fit

- Multiple cabinet choices are available in 8 nominal sizes for application in a variety of room layouts.
 - Hideaway model (HHY) units are installed above the ceiling with or without ducted supply air and open “soffit” return with an optional ceiling-mounted return air filter-grille.
 - Hideaway model with plenum (HPY) units are installed above the ceiling with or without ducted supply air and ducted return air. The return air filter is either mounted on the unit plenum or installed in an optional ceiling filter-grille.
 - Cabinet model (HLY) units are equipped with a painted cabinet suitable for under-ceiling exposed applications. Specially selected motor and blower designs make this unit especially suited for non-ducted applications.
 - Horizontal cased model, high static (HXY) units are equipped with a galvanized cabinet suitable for above or below the ceiling, and are ideal for ducted supply and return air.
 - Vertical cased units (VEY) are ideal for air conditioning in apartments, offices, schools and many other applications. Top supply units are often located in mechanical rooms and supply air is ducted into multiple zones. Front or bottom return units with filter frames are available.

Design Flexibility

- Easy to use ratings program to speed up project design.
- Standard and high capacity hydronic coils and DX coils are available to match the heating and cooling loads of the space.
- Optional powder paint finish colors and grille selections will complement most décors (HLY units).
- Optional 6" legs are available for the vertical (VEY) unit.

- Customizable cabinetry (HLY or HXY) makes these units ideal for renovation jobs or where special sizes are required to fit oversized valves and controls packages.
- HPY optional airflow configuration (rear return or bottom return) can be factory configured or field converted for maximum flexibility.
- Wide variety of factory assembled valve packages to meet desired controls specifications.
- Wide variety of optional insulation materials are available to address IAQ concerns.
- Optional condensate float switches are available to address latest building codes where required.

Ease of Installation

- Optional factory assembled valve packages minimize the piping work at the job site.
- Optional unit mounted controls, service switches and fusing minimize the electrical work required on site.
- Units are tagged at the factory for clear identification on the job site.
- Opposite end connection units may minimize the field piping work on renovation jobs.

Ease of Service

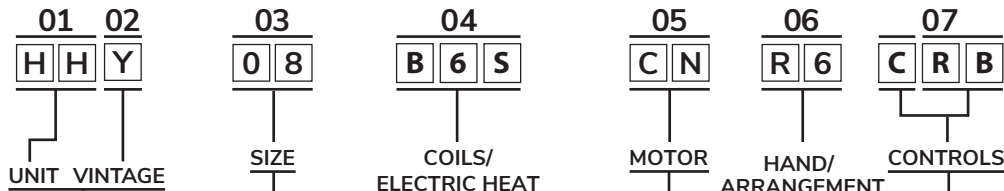
- All components are accessible by simply removing the access panel.
- Filters can be replaced without tools.
- Blower assembly easily removed from the rear of the coil for service and cleaning.

Quality and Safety

- Every unit tested and inspected at the factory for trouble-free start-up.
- ETL listed. AHRI rated where applicable.

Unit Model Key

Code Items Code



- HHY • Hi-Performance Hideaway
- HPY • Hi-Performance Hideaway with Plenum
- HLY • Hi-Performance Cabinet
- HXY • Hi-Performance Horizontal Cased
- VEY • Hi-Performance Vertical Cased

- 06 • 600 CFM
- 08 • 800 CFM
- 10 • 1000 CFM
- 12 • 1200 CFM
- 14 • 1400 CFM
- 16 • 1600 CFM
- 18 • 1800 CFM
- 20 • 2000 CFM

- Voltage**
- C • 115-1-60
 - D • 208-1-60
 - E • 230-1-60
 - F • 277-1-60
 - V • 220-1-50*
 - U • 240-1-50*

- Type**
- N • ECM, 3-Spd Relay BRD (L/M/H)
 - M • ECM, Proportional (0-10VDC)
 - O • ECM, 4-Spd Board, Solid State w/ PWM

- Hand****
- R • Right
 - L • Left
- Arrangement**
- 5
 - 6

Two-pipe Cooling and Heating or Four-pipe Cooling

- A • 3-Row
- B • 4-Row
- K • 6-Row

Four-pipe Heating

- Y • None
- 6 • 1-Row
- 7 • 2-Row

or, if electric heat

Voltage

- C • 120V
- D • 208V
- E • 240V
- F • 277V
- V • 220V (50)*

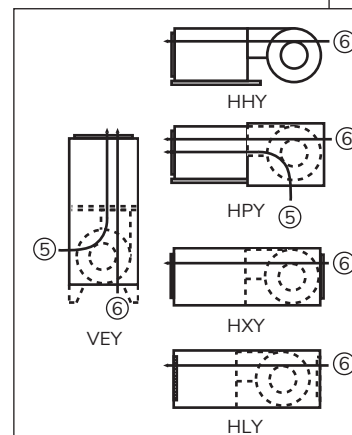
Coil Connection

- Y • None
- S • Same End
- O • Opposite End

or, if electric heat

kW

- D • 2.00
- F • 3.00
- G • 4.00
- H • 5.00
- J • 6.00
- K • 7.00
- L • 8.00
- M • 9.00
- N • 10.00



Voltage

- B • 24V
- C • 120V
- D • 208V
- E • 240V
- F • 277V
- V • 220V (50)*
- U • 240V (50)*

System / Thermostat

Manual Fan Operation

- A2 • Standard Wall Mount (Switch Only)

Function Control

- G • 2 Pipe Heat Only
- H • 2 Pipe Cool Only
- K • 2 Pipe Heat and Cool
- M • 2 Pipe Heat and Cool w/Aux. Elec. Heat
- P • 2 Pipe Cool Only w/Total Elec. Heat
- R • 4 Pipe Heat and Cool

Thermostat

- P • Basic 24V Digital, 7-Day Programmable
- N • Basic 24V Digital, Non-Programmable
- F • Premium 24V Digital, 7-Day Programmable/BACnet with Proportional Fan/Valves Option
- G • Premium 24V Digital BACnet with Proportional Fan/Valves Option
- W • Venture 24V Wi-Fi Programmable

* Consult factory for 50 Hz applications.

** Standing in front of the unit, hand is determined by looking into the air supply and assigning the hand to match the location of the cooling coil connections.

Hi-Performance Series

FAN COIL TECHNICAL CATALOG

Ratings and Listings

AHRI Certification

IEC's Hi-Performance Series units are certified in compliance with Air-Conditioning, Heating, and Refrigeration Institute (AHRI) industry standard AHRI-440-2008 for room fan coil units. Approved standard ratings are tabulated below.



C-ETL-US Listing

IEC's Hi-Performance units are listed by ETL. The C-ETL-US listing signifies that IEC's fan coil units have been examined by ETL and are in compliance with both the U.S. and Canadian applicable standards.



Intertek
3061627

HEATING AND COOLING EQUIPMENT

EC Motor Standard Ratings

Model	Size	Coil Rows	Air Flow Rating (SCFM)	Water Pressure Drop (ft. water)	Total Cap. (Btuh)	Sensible Cap. (Btuh)	Power Input (Watts)
HHY	06	4	600	3.0	19,600	15,300	265
	06	6	600	4.2	24,500	16,900	230
	08	4	800	5.7	28,000	20,900	275
	08	6	800	8.3	34,800	24,200	325
	10	4	1,000	7.8	34,700	25,500	380
	10	6	1,000	10.2	38,900	27,200	505
	12	4	1,200	9.8	42,000	31,100	275
	12	6	1,200	15.3	49,800	32,100	485
	14	4	1,400	20.0	46,100	36,600	475
	14	6	1,400	9.3	58,800	39,400	605
	16	4	2,100	8.0	59,800	47,000	900
	16	6	1,900	15.0	74,400	52,800	630
	18	4	2,300	10.0	67,500	52,300	1180
	18	6	2,000	20.0	80,500	55,000	665
20	4	2,300	12.0	72,600	55,600	1180	
20	6	2,200	23.0	89,900	61,400	735	
HLY	06	4	650	2.8	18,100	13,700	225
	06	6	600	5.0	24,100	16,600	150
	08	4	800	4.6	23,400	17,600	275
	08	6	795	8.0	33,500	22,400	205
	10	4	1,000	8.0	33,300	24,000	300
	10	6	990	15.0	41,800	27,600	320
	12	4	1,200	11.0	39,200	27,800	300
	12	6	1,200	21.0	52,100	34,800	300
	14	4	1,390	15.0	48,900	34,000	300
	14	6	1,400	10.0	59,200	40,000	340
	16	4	1,600	7.0	52,900	39,000	440
	16	6	1,530	13.0	61,800	43,000	520
	18	4	1,800	9.0	60,700	44,700	490
	18	6	1,800	17.0	71,400	49,500	615
20	4	2,000	11.0	64,600	48,700	580	
20	6	2,000	15.5	76,000	52,300	710	

EC Motor Standard Ratings (Cont'd.)

Model	Size	Coil Rows	Air Flow Rating (SCFM)	Water Pressure Drop (ft. water)	Total Cap. (Btuh)	Sensible Cap. (Btuh)	Power Input (Watts)
HPY	06	4	600	2.0	17,600	14,000	210
	06	6	600	4.1	23,400	15,800	215
	08	4	800	5.0	24,300	19,000	285
	08	6	800	7.7	32,300	21,700	330
	10	4	1,000	5.0	24,500	19,100	345
	10	6	1,000	7.7	32,700	22,300	420
	12	4	1,200	10.0	38,500	29,700	320
	12	6	1,200	14.0	46,500	31,400	440
	14	4	1,400	20.0	48,300	36,600	405
	14	6	1,400	12.0	52,600	34,300	535
	16	4	2,000	8.0	56,800	44,200	675
	16	6	1,735	15.0	68,100	47,900	550
	18	4	2,125	7.0	62,200	47,500	1015
	18	6	1,900	18.0	76,200	53,100	625
20	4	2,100	11.0	65,100	49,000	675	
20	6	1,900	22.0	80,200	55,500	686	
HXY	06	4	600	1.6	16,400	13,000	255
	06	6	600	4.0	20,000	13,800	255
	08	4	800	3.1	21,000	17,300	320
	08	6	800	5.5	28,800	19,000	315
	10	4	1,000	7.0	29,300	22,700	500
	10	6	1,000	7.9	30,800	21,400	495
	12	4	1,200	8.8	33,400	27,100	460
	12	6	1,200	17.9	44,600	29,000	455
	14	4	1,400	12.3	43,400	32,000	740
	14	6	1,400	5.5	49,300	35,000	730
	16	4	1,950	8.0	56,800	44,200	670
	16	6	1,700	15.0	68,100	47,900	570
	18	4	2,100	11.0	62,200	47,500	650
	18	6	1,900	20.0	76,200	53,100	600
20	4	2,100	12.0	65,100	49,000	680	
20	6	2,000	16.9	80,200	54,500	710	

Ratings and Listings, Cont'd.

EC Motor Standard Ratings (Cont'd.)

Model	Size	Coil Rows	Air Flow Rating (SCFM)	Water Pressure Drop (ft. water)	Total Cap. (Btuh)	Sensible Cap. (Btuh)	Power Input (Watts)
VEY	06	4	600	1.6	16,400	13,000	255
	06	6	600	4.0	20,000	13,800	255
	08	4	800	3.1	21,000	17,300	320
	08	6	800	5.5	28,800	19,000	315
	10	4	1,000	7.0	29,300	22,700	500
	10	6	1,000	11.0	30,800	21,400	495
	12	4	1,200	10.5	33,400	27,100	460
	12	6	1,200	17.9	44,600	29,000	455
	14	4	1,400	12.3	43,400	32,000	740
	14	6	1,400	5.5	49,300	35,000	730
	16	4	1,800	6.0	54,000	41,700	570
	16	6	1,800	12.1	71,400	49,500	675
	18	4	2,000	10.0	59,900	45,500	650
	18	6	1,900	15.2	75,500	51,500	590
	20	4	2,100	10.0	64,500	48,500	650
	20	6	2,000	17.6	82,100	55,900	660

- NOTES: 1. Ratings are based on 80° F DB and 67° WB EAT, 45° F EWT, 10° F water temperature rise, high fan speed, motor voltage 115-1-60, and air flow under dry coil conditions.
2. For all application ratings, use IEC's Rating Program, or contact your local IEC representative.
3. For additional information, please consult the Directory of Certified Applied Air-Conditioning Products or AHRI's website at www.ahrinet.org.
4. The AHRI Standard 440 certification program does not apply to unit sizes above 1500 nominal CFM.

Hi-Performance Series

FAN COIL TECHNICAL CATALOG

Air Delivery (60 Hz) – ECM

Model	Coil	Unit Size	CFM @ 0.0 ESP for ECM Fan Speed			ECM High Speed CFM @ ESP Indicated							
			Low	Med	High	0.10	0.20	0.25	0.30	0.40	0.50	0.60	
HHY	3-Row	06	492	662	840	808	777	761	746	717	688	661	
		08	642	854	1066	1030	992	974	955	917	879	841	
		10	865	1103	1400	1355	1312	1291	1271	1231	1194	1159	
		12	987	1299	1614	1559	1504	1478	1451	1398	1346	1294	
		14	1203	1602	2011	1965	1916	1892	1867	1816	1764	1710	
		16	1374	1826	2281	2220	2161	2132	2104	2048	1994	1942	
		18	1485	1975	2485	2438	2391	2368	2344	2298	2251	2204	
		20	1646	2144	2672	2615	2561	2534	2508	2457	2408	2360	
	4-Row	06	483	648	824	785	749	731	713	680	647	616	
		08	622	829	1029	999	966	949	931	893	853	810	
		10	834	1068	1356	1312	1269	1248	1228	1189	1152	1116	
		12	950	1248	1559	1507	1456	1430	1405	1355	1306	1257	
		14	1171	1562	1967	1918	1868	1843	1818	1767	1715	1663	
		16	1344	1784	2225	2159	2096	2064	2034	1974	1917	1861	
		18	1455	1931	2426	2378	2332	2309	2286	2241	2196	2152	
		20	1582	2064	2566	2508	2452	2425	2398	2346	2296	2247	
	6-Row	06	457	611	775	736	699	681	663	629	596	565	
		08	578	774	959	935	907	891	875	840	801	758	
		10	773	1000	1268	1226	1186	1166	1147	1109	1072	1036	
		12	879	1157	1451	1404	1357	1334	1311	1266	1222	1178	
		14	1095	1469	1854	1806	1757	1733	1709	1660	1612	1563	
		16	1272	1691	2104	2040	1979	1949	1919	1861	1805	1751	
		18	1397	1845	2310	2266	2222	2201	2179	2136	2094	2052	
		20	1476	1929	2388	2335	2281	2254	2227	2172	2117	2062	
	HPY	3-Row	06	488	634	800	769	738	723	708	679	650	621
			08	609	799	999	963	927	909	891	855	818	781
			10	782	1013	1260	1222	1180	1157	1133	1082	1026	967
			12	913	1248	1544	1494	1446	1422	1398	1351	1306	1261
14			1125	1489	1845	1801	1755	1731	1707	1656	1603	1549	
16			1276	1671	2108	2044	1983	1952	1923	1864	1808	1753	
18			1338	1761	2206	2162	2117	2095	2072	2027	1981	1935	
20			1486	1951	2429	2379	2327	2300	2273	2216	2158	2096	
4-Row		06	469	617	780	748	717	702	687	658	630	603	
		08	575	761	950	916	882	865	847	811	775	738	
		10	755	988	1240	1198	1153	1130	1106	1056	1005	951	
		12	885	1208	1500	1451	1404	1380	1357	1311	1267	1223	
		14	1092	1446	1791	1746	1699	1675	1650	1599	1547	1492	
		16	1237	1616	2039	1977	1917	1887	1858	1799	1742	1686	
		18	1309	1724	2163	2118	2074	2051	2029	1984	1940	1896	
		20	1454	1917	2384	2329	2274	2245	2217	2159	2099	2039	
6-Row		06	434	579	731	701	672	657	643	615	588	561	
		08	534	713	890	858	826	810	794	761	727	693	
		10	707	929	1179	1136	1092	1071	1049	1006	963	920	
		12	828	1129	1407	1362	1318	1296	1275	1233	1191	1150	
		14	1024	1363	1695	1649	1602	1578	1554	1504	1453	1401	
		16	1164	1523	1920	1864	1809	1782	1754	1700	1646	1592	
		18	1256	1648	2066	2024	1981	1960	1939	1898	1856	1815	
		20	1374	1826	2266	2211	2156	2128	2101	2045	1990	1934	

Air Delivery (60 Hz) – ECM, Cont'd.

Model	Coil	Unit Size	CFM @ 0.0 ESP for ECM Fan Speed			ECM High Speed CFM @ ESP Indicated						
			Low	Med	High	0.10	0.20	0.25	0.30	0.40	0.50	0.60
HXY	3-Row	06	488	634	800	769	738	723	708	679	650	621
		08	609	799	999	963	927	909	891	855	818	781
		10	782	1013	1260	1222	1180	1157	1133	1082	1026	967
		12	913	1248	1544	1494	1446	1422	1398	1351	1306	1261
		14	1125	1489	1845	1801	1755	1731	1707	1656	1603	1549
		16	1276	1671	2108	2044	1983	1952	1923	1864	1808	1753
		18	1338	1761	2206	2162	2117	2095	2072	2027	1981	1935
		20	1486	1951	2429	2379	2327	2300	2273	2216	2158	2096
	4-Row	06	469	617	780	748	717	702	687	658	630	603
		08	575	761	950	916	882	865	847	811	775	738
		10	755	988	1240	1198	1153	1130	1106	1056	1005	951
		12	885	1208	1500	1451	1404	1380	1357	1311	1267	1223
		14	1092	1446	1791	1746	1699	1675	1650	1599	1547	1492
		16	1237	1616	2039	1977	1917	1887	1858	1799	1742	1686
		18	1309	1724	2163	2118	2074	2051	2029	1984	1940	1896
		20	1454	1917	2384	2329	2274	2245	2217	2159	2099	2039
	6-Row	06	434	579	731	701	672	657	643	615	588	561
		08	534	713	890	858	826	810	794	761	727	693
		10	707	929	1179	1136	1092	1071	1049	1006	963	920
		12	828	1129	1407	1362	1318	1296	1275	1233	1191	1150
		14	1024	1363	1695	1649	1602	1578	1554	1504	1453	1401
		16	1164	1523	1920	1864	1809	1782	1754	1700	1646	1592
		18	1256	1648	2066	2024	1981	1960	1939	1898	1856	1815
		20	1374	1826	2266	2211	2156	2128	2101	2045	1990	1934
VEY	3-Row	06	473	616	773	744	716	702	688	660	632	605
		08	595	784	998	953	910	888	867	826	786	747
		10	691	927	1164	1120	1075	1051	1028	979	929	877
		12	897	1210	1505	1455	1406	1382	1358	1310	1263	1216
		14	1094	1433	1794	1740	1686	1660	1633	1580	1528	1476
		16	1082	1534	1950	1908	1865	1843	1821	1775	1729	1682
		18	1292	1710	2137	2082	2027	2000	1973	1919	1866	1813
		20	1434	1883	2359	2303	2246	2217	2188	2129	2069	2007
	4-Row	06	465	605	762	735	708	694	681	655	628	603
		08	586	782	987	943	899	878	856	814	773	732
		10	672	904	1150	1097	1046	1022	997	949	903	858
		12	859	1177	1470	1425	1380	1357	1335	1291	1248	1205
		14	1081	1410	1769	1717	1666	1640	1614	1563	1512	1461
		16	1043	1510	1917	1876	1834	1813	1791	1746	1700	1652
		18	1279	1678	2104	2051	1998	1972	1945	1892	1839	1786
		20	1434	1871	2351	2291	2232	2202	2172	2113	2054	1994
	6-Row	06	467	604	747	712	675	654	633	588	540	488
		08	580	759	943	912	880	862	845	809	770	730
		10	671	905	1139	1083	1030	1005	980	932	887	845
		12	879	1189	1475	1432	1390	1369	1348	1306	1265	1223
		14	1072	1399	1758	1702	1646	1619	1591	1537	1483	1430
		16	1059	1490	1899	1855	1810	1787	1764	1717	1669	1620
		18	1290	1648	2035	1980	1926	1899	1872	1819	1766	1714
		20	1430	1867	2316	2254	2192	2161	2130	2069	2007	1946

Hi-Performance Series

FAN COIL TECHNICAL CATALOG

Air Delivery (60 Hz) – ECM, Cont'd.

Model	Coil	Unit Size	CFM @ 0.0 ESP for ECM Fan Speed			ECM High Speed CFM @ ESP Indicated						
			Low	Med	High	0.10	0.20	0.25	0.30	0.40	0.50	0.60
HLY	3-Row	06	390	508	633	-	-	-	-	-	-	-
		08	517	678	849	-	-	-	-	-	-	-
		10	618	837	1053	-	-	-	-	-	-	-
		12	813	1063	1326	-	-	-	-	-	-	-
		14	853	1104	1396	-	-	-	-	-	-	-
		16	1010	1346	1675	-	-	-	-	-	-	-
		18	1161	1560	1938	-	-	-	-	-	-	-
		20	1262	1678	2097	-	-	-	-	-	-	-
	4-Row	06	383	500	624	-	-	-	-	-	-	-
		08	500	657	822	-	-	-	-	-	-	-
		10	614	814	1020	-	-	-	-	-	-	-
		12	794	1039	1287	-	-	-	-	-	-	-
		14	857	1110	1398	-	-	-	-	-	-	-
		16	1008	1347	1684	-	-	-	-	-	-	-
		18	1143	1525	1908	-	-	-	-	-	-	-
		20	1236	1642	2055	-	-	-	-	-	-	-
	6-Row	06	370	487	610	-	-	-	-	-	-	-
		08	483	639	799	-	-	-	-	-	-	-
		10	607	797	984	-	-	-	-	-	-	-
		12	752	996	1232	-	-	-	-	-	-	-
		14	859	1115	1392	-	-	-	-	-	-	-
		16	1010	1349	1689	-	-	-	-	-	-	-
		18	1137	1508	1891	-	-	-	-	-	-	-
		20	1204	1606	2005	-	-	-	-	-	-	-

Motor Data

Motor Performance Data

EC Motors behave differently to changes in static pressure. The two tables below indicate full load amperage (FLA). In the motor tables below the ECM FLA condition occurs at 0.3" ESP

Note that this data is for design purposes and should not be used for an energy analysis. An EC motor reaches full load condition at the unit's maximum external static because it has increased output to maintain airflow. An EC motor decreases output with lower static causing the minimum power usage to occur at 0.0" w.g. ESP.

EC Motor Performance Data – HPY

Voltage	Unit Size	06	08	10	12	14	16	18	20
	Nominal HP	1/2	1/2	1/2	1/2	1/2	1/2	1/2	1/2
120V	Rated Motor FLA	6.8	6.8	6.8	6.8, 6.8	6.8, 6.8	6.8, 6.8	6.8, 6.8	6.8, 6.8
	Max Program Current	4.7	6.5	6.8	4.2, 4.2	5.0, 5.0	6.8, 6.8	6.8, 6.8	6.8, 6.8
208-240V	Rated Motor FLA	4.1	4.1	4.1	4.1, 4.1	4.1, 4.1	4.1, 4.1	4.1, 4.1	4.1, 4.1
	Max Program Current	3.7	4.1	4.1	3.3, 3.3	4.0, 4.0	4.1, 4.1	4.1, 4.1	4.1, 4.1
277V	Rated Motor FLA	3.4	3.4	3.4	3.4, 3.4	3.4, 3.4	3.4, 3.4	3.4, 3.4	3.4, 3.4
	Max Program Current	2.3	3.2	3.4	2.1, 2.1	2.5, 2.5	3.1, 3.1	3.4, 3.4	3.4, 3.4

EC Motor Performance Data – VEY

Voltage	Unit Size	06	08	10	12	14	16	18	20
	Nominal HP	1/2	1/2	1/2	1/2	1/2	1/2	1/2	1/2
120V	Rated Motor FLA	6.8	6.8	6.8	6.8, 6.8	6.8, 6.8	6.8, 6.8	6.8, 6.8	6.8, 6.8
	Max Program Current	4.6	6.4	6.8	4.2, 4.2	5.0, 5.0	6.1, 6.1	6.8, 6.8	6.8, 6.8
208-240V	Rated Motor FLA	4.1	4.1	4.1	4.1, 4.1	4.1, 4.1	4.1, 4.1	4.1, 4.1	4.1, 4.1
	Max Program Current	3.7	4.1	4.1	3.3, 3.3	3.9, 3.9	4.1, 4.1	4.1, 4.1	4.1, 4.1
277V	Rated Motor FLA	3.4	3.4	3.4	3.4, 3.4	3.4, 3.4	3.4, 3.4	3.4, 3.4	3.4, 3.4
	Max Program Current	2.3	3.2	3.4	2.1, 2.1	2.5, 2.5	3.1, 3.1	3.4, 3.4	3.4, 3.4

EC Motor Performance Data – HHY

Voltage	Unit Size	06	08	10	12	14	16	18	20
	Nominal HP	1/2	1/2	1/2	1/2	1/2	1/2	1/2	1/2
120V	Motor FLA	6.8	6.8	6.8	6.8, 6.8	6.8, 6.8	6.8, 6.8	6.8, 6.8	6.8, 6.8
	Max Program Current	6.8	6.8	6.8	6.8, 6.8	6.4, 6.4	6.8, 6.8	6.8, 6.8	6.8, 6.8
208-240V	Motor FLA	4.1	4.1	4.1	4.1, 4.1	4.1, 4.1	4.1, 4.1	4.1, 4.1	4.1, 4.1
	Max Program Current	4.1	4.1	4.1	4.1, 4.1	4.1, 4.1	4.1, 4.1	4.1, 4.1	4.1, 4.1
277V	Motor FLA	3.4	3.4	3.4	3.4, 3.4	3.4, 3.4	3.4, 3.4	3.4, 3.4	3.4, 3.4
	Max Program Current	3.4	3.4	3.4	3.4, 3.4	3.2, 3.2	3.4, 3.4	3.4, 3.4	3.4, 3.4

EC Motor Performance Data – HLY

Voltage	Unit Size	06	08	10	12	14	16	18	20
	Nominal HP	1/2	1/2	1/2	1/2	1/2	1/2	1/2	1/2
120V	Motor FLA	6.8	6.8	6.8	6.8, 6.8	6.8, 6.8	6.8, 6.8	6.8, 6.8	6.8, 6.8
	Max Program Current	3.9	4.9	6.4	3.8, 3.8	4.1, 4.1	6.0, 6.0	6.8, 6.8	6.8, 6.8
208-240V	Motor FLA	4.1	4.1	4.1	4.1, 4.1	4.1, 4.1	4.1, 4.1	4.1, 4.1	4.1, 4.1
	Max Program Current	3.1	3.9	4.1	3.0, 3.0	3.3, 3.3	4.1, 4.1	4.1, 4.1	4.1, 4.1
277V	Motor FLA	3.4	3.4	3.4	3.4, 3.4	3.4, 3.4	3.4, 3.4	3.4, 3.4	3.4, 3.4
	Max Program Current	1.9	2.4	3.2	1.9, 1.9	2.1, 2.1	3.0, 3.0	3.4, 3.4	3.4, 3.4

- NOTES: 1. Total unit motor AMPS and Watts are shown.
 2. UL approves the motor and thermal overload combination at locked rotor conditions only.
 3. Consult factory for 50 Hz applications.

Motor Data, Cont'd.

EC Motor Performance Data – HXY

Voltage	Unit Size	06	08	10	12	14	16	18	20
	Nominal HP	1/2	1/2	1/2	1/2	1/2	1/2	1/2	1/2
120V	Motor FLA	6.8	6.8	6.8	6.8, 6.8	6.8, 6.8	6.8, 6.8	6.8, 6.8	6.8, 6.8
	Max Program Current	4.9	5.8	6.8	3.0, 3.0	4.6, 4.6	6.6, 6.6	6.8, 6.8	6.8, 6.8
208-240V	Motor FLA	4.1	4.1	4.1	4.1, 4.1	4.1, 4.1	4.1, 4.1	4.1, 4.1	4.1, 4.1
	Max Program Current	3.9	4.1	4.1	2.4, 2.4	3.7, 3.7	4.1, 4.1	4.1, 4.1	4.1, 4.1
277V	Motor FLA	3.4	3.4	3.4	3.4, 3.4	3.4, 3.4	3.4, 3.4	3.4, 3.4	3.4, 3.4
	Max Program Current	2.4	2.9	3.4	1.5, 1.5	2.3, 2.3	3.3, 3.3	3.4, 3.4	3.4, 3.4

- NOTES: 1. Total unit motor AMPS and Watts are shown.
 2. UL approves the motor and thermal overload combination at locked rotor conditions only.
 3. Consult factory for 50 Hz applications.

Sound Power Data

HHY Sound Power Data

UNIT SIZE	RATING	FAN SPEED	SOUND POWER LEVEL, Lw (dB reference one picowatt)							A-wgt (dBA)
			125 Hz	250 Hz	500 Hz	1K Hz	2K Hz	4K Hz	8K Hz	
6	CASING RADIATED w/Free Return	H	54	57	58	60	57	50	40	68
		M	48	52	54	55	49	40	31	62
		L	44	48	49	49	40	33	32	56
	DUCTED DISCHARGE	H	55	49	47	46	41	35	29	56
		M	48	44	47	40	32	27	28	50
		L	45	39	37	34	25	24	28	46
8	CASING RADIATED w/Free Return	H	55	58	60	58	54	47	37	67
		M	52	54	56	54	48	41	32	62
		L	44	48	47	45	36	31	30	53
	DUCTED DISCHARGE	H	53	48	48	45	39	35	29	54
		M	51	45	42	40	33	29	28	49
		L	42	39	35	31	22	24	28	43
10	CASING RADIATED w/Free Return	H	61	64	61	62	59	54	45	71
		M	57	60	58	57	53	46	36	66
		L	54	54	51	50	44	35	31	59
	DUCTED DISCHARGE	H	59	55	51	50	47	42	33	62
		M	55	50	49	45	41	35	30	55
		L	51	44	40	38	32	27	29	49
12	CASING RADIATED w/Free Return	H	56	58	60	61	56	49	46	70
		M	50	54	56	56	50	41	34	63
		L	49	50	51	50	41	33	32	58
	DUCTED DISCHARGE	H	55	48	48	46	42	36	30	57
		M	50	43	45	41	36	28	29	52
		L	44	38	38	34	27	24	28	47
14	CASING RADIATED w/Free Return	H	62	63	64	65	61	55	47	73
		M	56	58	60	60	53	46	38	67
		L	50	53	53	53	44	38	35	60
	DUCTED DISCHARGE	H	61	54	52	52	49	42	32	62
		M	55	49	48	47	41	34	28	56
		L	49	43	41	39	32	25	28	50
16	CASING RADIATED w/Free Return	H	61	63	64	65	61	56	47	73
		M	56	58	61	60	55	49	40	68
		L	50	52	53	53	45	37	32	60
	DUCTED DISCHARGE	H	60	53	53	52	49	45	34	63
		M	55	48	49	46	42	36	30	56
		L	51	43	41	40	35	27	29	51
18	CASING RADIATED w/Free Return	H	60	65	66	66	63	59	50	75
		M	56	60	63	62	57	51	41	70
		L	51	55	56	56	50	41	34	64
	DUCTED DISCHARGE	H	60	55	55	56	51	49	38	66
		M	55	51	52	50	45	41	31	59
		L	51	46	45	45	37	31	28	53
20	CASING RADIATED w/Free Return	H	62	64	64	66	63	58	49	74
		M	56	60	61	62	58	51	41	70
		L	53	55	55	56	50	41	34	63
	DUCTED DISCHARGE	H	58	56	56	55	51	48	38	65
		M	53	53	54	50	46	41	32	60
		L	48	47	46	44	38	31	29	54

- NOTES: 1. Unit Tests Configuration: Rear Return/ Front Supply, 4 Row, 10 FPI Coil, 0.0" ESP, 115 VAC EC Motor, 1/2" dual density fiberglass insulation.
2. Casing Radiated Testing per AHRI 260-2001: 4.2.2.3 Casing radiated with free inlet, Sound Rating of Ducted Air Moving and Conditioning Equipment.
3. Ducted Discharge Testing per AHRI 260-2001: 4.2.2.1 Ducted discharge, Sound Rating of Ducted Air Moving and Conditioning Equipment.
4. Sound power data is expressed in decibels, dB RE: 1×10^{-12} w (picowatts).

Sound Power Data, Cont'd.

HLV Sound Power Data

UNIT SIZE	RATING	FAN SPEED	SOUND POWER LEVEL, L _w (dB reference one picowatt)							A-wgt (dBA)
			125 Hz	250 Hz	500 Hz	1K Hz	2K Hz	4K Hz	8K Hz	
6	CASING RADIATED	H	54	55	53	50	46	39	30	60
		M	52	50	48	44	39	30	28	55
		L	51	49	47	42	36	28	28	53
8	CASING RADIATED	H	56	54	52	49	46	40	31	60
		M	50	49	46	44	39	31	28	54
		L	45	45	41	37	30	25	29	48
10	CASING RADIATED	H	63	61	58	58	54	48	36	67
		M	58	56	53	51	46	40	31	61
		L	50	50	47	44	38	31	29	54
12	CASING RADIATED	H	57	58	56	54	51	43	32	64
		M	53	54	52	49	44	35	29	59
		L	48	49	48	44	37	28	28	54
14	CASING RADIATED	H	58	59	57	54	49	43	32	64
		M	55	55	53	50	44	36	29	60
		L	48	50	47	43	35	28	29	54
16	CASING RADIATED	H	63	63	61	58	55	50	39	68
		M	58	58	57	53	48	42	32	63
		L	52	53	50	47	40	32	29	57
18	CASING RADIATED	H	64	63	61	59	56	52	41	69
		M	59	58	57	54	49	43	33	63
		L	53	52	51	48	41	33	29	57
20	CASING RADIATED	H	65	64	62	60	58	54	43	70
		M	59	59	57	55	51	45	34	64
		L	53	54	51	49	44	35	29	58

- NOTES: 1. Unit Tests Configuration: Rear Return/ Front Supply, 4 Row, 10 FPI Coil, 0.0" ESP, 115 VAC EC Motor, 1/2" dual density fiberglass insulation.
 2. Casing Radiated Testing per AHRI 350-2001: 4.2 Casing radiated with free inlet, free outlet. Sound Rating of Non-ducted Indoor Air-conditioning.
 3. Sound power data is expressed in decibels, dB RE: 1 x 10⁻¹² w (picowatts).

Sound Power Data, Cont'd.

HPY Sound Power Data

UNIT SIZE	RATING	FAN SPEED	SOUND POWER LEVEL, L _w (dB reference one picowatt)							A-wgt (dBA)
			125 Hz	250 Hz	500 Hz	1K Hz	2K Hz	4K Hz	8K Hz	
6	CASING RADIATED w/Free Return	H	61	52	55	53	47	39	31	62
		M	55	47	52	48	40	31	29	57
		L	48	42	45	39	29	25	29	49
	DUCTED DISCHARGE	H	51	50	46	47	40	35	29	56
		M	46	47	48	41	33	28	28	52
		L	43	40	36	33	23	24	28	45
8	CASING RADIATED w/Free Return	H	61	57	57	51	47	40	31	61
		M	56	53	53	46	41	33	29	57
		L	48	47	45	37	30	26	29	50
	DUCTED DISCHARGE	H	54	51	50	46	39	37	29	56
		M	48	46	43	41	33	30	28	50
		L	43	39	35	32	23	24	28	43
10	CASING RADIATED w/Free Return	H	66	61	57	53	51	45	36	65
		M	60	56	53	48	45	37	30	59
		L	53	51	46	41	36	28	29	53
	DUCTED DISCHARGE	H	60	54	51	51	48	43	33	62
		M	53	49	47	45	41	35	29	56
		L	51	43	40	38	32	27	29	49
12	CASING RADIATED w/Free Return	H	59	56	56	54	51	44	34	63
		M	53	52	53	49	44	36	31	59
		L	47	47	47	42	34	27	30	52
	DUCTED DISCHARGE	H	54	49	48	47	44	38	30	58
		M	48	45	44	42	38	30	29	53
		L	43	39	38	35	28	25	29	47
14	CASING RADIATED w/Free Return	H	62	58	58	56	53	46	37	66
		M	57	55	55	52	46	39	32	61
		L	51	50	50	45	37	30	31	55
	DUCTED DISCHARGE	H	58	54	51	51	48	42	31	61
		M	53	49	47	46	41	34	28	56
		L	48	44	41	38	33	26	28	50
16	CASING RADIATED w/Free Return	H	62	59	59	58	55	49	39	67
		M	57	54	55	53	48	40	33	61
		L	50	49	50	47	39	31	29	55
	DUCTED DISCHARGE	H	58	54	51	52	50	45	34	63
		M	53	49	48	46	43	36	30	57
		L	46	43	41	40	35	27	29	50
18	CASING RADIATED w/Free Return	H	64	60	59	58	55	50	41	68
		M	58	56	56	53	49	42	34	62
		L	53	52	51	48	42	33	30	57
	DUCTED DISCHARGE	H	58	56	53	55	50	47	36	65
		M	52	51	50	49	43	38	30	58
		L	48	46	44	43	36	30	28	52
20	CASING RADIATED w/Free Return	H	65	61	60	59	55	50	41	68
		M	61	57	57	55	50	44	35	63
		L	54	52	51	48	42	33	31	57
	DUCTED DISCHARGE	H	58	57	56	56	52	49	39	65
		M	52	53	53	51	47	42	32	60
		L	46	47	46	44	38	31	29	54

- NOTES: 1. Unit Tests Configuration: Rear Return/ Front Supply, 4 Row, 10 FPI Coil, 0.0" ESP, 115 VAC EC Motor, 1/2" dual density fiberglass insulation.
2. Casing Radiated Testing per AHRI 260-2001: 4.2.2.3 Casing radiated with free inlet, Sound Rating of Ducted Air Moving and Conditioning Equipment.
3. Ducted Discharge Testing per AHRI 260-2001: 4.2.2.1 Ducted discharge, Sound Rating of Ducted Air Moving and Conditioning Equipment.
4. Sound power data is expressed in decibels, dB RE: 1 x 10⁻¹² w (picowatts).

Sound Power Data, Cont'd.

HXY Sound Power Data

UNIT SIZE	RATING	FAN SPEED	SOUND POWER LEVEL, L _w (dB reference one picowatt)							A-wgt (dBA)
			125 Hz	250 Hz	500 Hz	1K Hz	2K Hz	4K Hz	8K Hz	
6	CASING RADIATED w/Free Return	H	56	51	50	49	44	36	30	58
		M	51	47	46	44	38	28	28	54
		L	45	41	39	36	27	25	28	47
	DUCTED DISCHARGE	H	51	49	46	46	43	37	29	56
		M	46	45	43	40	34	29	28	51
		L	41	38	36	31	23	23	28	44
8	CASING RADIATED w/Free Return	H	57	53	49	48	43	36	30	58
		M	50	48	45	43	36	29	29	53
		L	45	43	39	37	28	24	29	47
	DUCTED DISCHARGE	H	54	48	46	45	39	37	29	54
		M	47	43	41	39	32	29	28	49
		L	42	38	35	32	24	24	28	43
10	CASING RADIATED w/Free Return	H	61	58	52	51	47	40	33	61
		M	56	54	48	46	41	33	30	56
		L	49	49	42	39	33	26	29	50
	DUCTED DISCHARGE	H	59	50	48	47	45	40	31	58
		M	53	46	44	42	40	33	30	53
		L	45	41	37	35	30	26	29	46
12	CASING RADIATED w/Free Return	H	57	55	53	51	48	40	32	61
		M	52	51	49	47	42	33	30	56
		L	49	47	45	42	35	27	29	52
	DUCTED DISCHARGE	H	50	46	44	45	39	31	29	54
		M	45	42	42	38	33	26	29	50
		L	41	38	37	32	26	24	29	45
14	CASING RADIATED w/Free Return	H	59	57	54	52	49	43	33	62
		M	54	53	51	48	43	36	30	58
		L	48	48	45	41	34	28	30	52
	DUCTED DISCHARGE	H	56	51	48	46	45	38	30	58
		M	52	47	45	42	40	31	28	53
		L	45	41	38	35	31	25	28	47
16	CASING RADIATED w/Free Return	H	57	55	53	52	48	41	32	61
		M	52	50	49	47	41	32	29	56
		L	46	45	44	40	32	26	30	51
	DUCTED DISCHARGE	H	56	49	47	47	45	38	30	58
		M	50	45	43	42	38	29	28	52
		L	45	39	36	35	29	24	28	46
18	CASING RADIATED w/Free Return	H	61	58	56	56	52	47	37	65
		M	56	53	52	50	46	39	32	60
		L	49	47	47	45	38	30	29	54
	DUCTED DISCHARGE	H	58	53	52	52	48	45	34	62
		M	53	47	48	46	42	36	30	56
		L	46	42	41	40	33	27	29	49
20	CASING RADIATED w/Free Return	H	62	59	57	56	53	48	38	65
		M	57	54	53	51	47	40	32	60
		L	51	50	48	45	39	31	30	55
	DUCTED DISCHARGE	H	52	54	53	53	49	46	35	62
		M	46	48	49	47	43	38	30	57
		L	41	44	44	41	36	29	29	51

- NOTES: 1. Unit Tests Configuration: Rear Return/ Front Supply, 4 Row, 10 FPI Coil, 0.0" ESP, 115 VAC EC Motor, 1/2" dual density fiberglass insulation.
2. Casing Radiated Testing per AHRI 260-2001: 4.2.2.3 Casing radiated with free inlet, Sound Rating of Ducted Air Moving and Conditioning Equipment.
3. Ducted Discharge Testing per AHRI 260-2001: 4.2.2.1 Ducted discharge, Sound Rating of Ducted Air Moving and Conditioning Equipment.
4. Sound power data is expressed in decibels, dB RE: 1 x 10⁻¹² w (picowatts).

Sound Power Data, Cont'd.

VEY Sound Power Data

UNIT SIZE	RATING	FAN SPEED	CFM	SOUND POWER LEVEL, Lw (dB reference one picowatt)						A-wgt (dBA)	
				125 Hz	250 Hz	500 Hz	1K Hz	2K Hz	4K Hz		8K Hz
6	CASING RADIATED w/Free Return	H	700	66	61	60	58	55	51	44	63
		M	605	64	58	58	55	51	46	40	60
		L	510	61	56	56	52	48	42	38	57
	DUCTED DISCHARGE	H	700	58	57	58	56	51	47	41	55
		M	605	56	53	54	52	47	42	39	51
		L	510	55	51	52	49	43	39	39	48
8	CASING RADIATED w/Free Return	H	910	71	70	62	60	57	53	46	67
		M	710	67	62	57	55	51	46	39	61
		L	510	61	63	52	49	43	36	36	57
	DUCTED DISCHARGE	H	910	63	63	62	60	55	50	42	59
		M	710	59	57	56	54	49	42	39	53
		L	510	57	52	51	48	41	38	39	48
10	CASING RADIATED w/Free Return	H	1110	77	69	63	62	59	55	47	68
		M	965	74	65	60	58	54	49	41	64
		L	705	67	58	54	51	45	38	37	57
	DUCTED DISCHARGE	H	1110	71	68	64	63	57	53	44	63
		M	965	68	64	60	58	53	47	40	58
		L	705	63	56	53	50	44	37	39	51
12	CASING RADIATED w/Free Return	H	1400	69	65	63	62	59	55	48	67
		M	1210	67	63	62	60	57	52	45	65
		L	1035	65	61	60	58	54	48	41	63
	DUCTED DISCHARGE	H	1400	63	63	63	62	56	52	43	60
		M	1210	61	61	61	59	54	48	41	58
		L	1035	59	58	59	56	51	45	40	55
14	CASING RADIATED w/Free Return	H	1640	72	67	65	64	61	57	50	69
		M	1525	71	66	64	63	59	56	48	67
		L	1255	67	62	60	59	55	50	41	63
	DUCTED DISCHARGE	H	1640	68	65	65	65	59	54	47	63
		M	1525	66	64	64	63	57	52	43	61
		L	1255	63	59	60	58	52	46	40	57
16	CASING RADIATED w/Free Return	H	1950	72	68	66	67	64	61	54	71
		M	1740	72	66	65	65	61	58	51	69
		L	1345	68	61	61	59	56	51	43	64
	DUCTED DISCHARGE	H	1950	64	65	66	65	59	55	47	63
		M	1740	63	63	64	63	57	53	44	61
		L	1345	60	58	60	57	52	46	39	56
18	CASING RADIATED w/Free Return	H	1995	78	72	70	69	66	64	58	74
		M	1735	72	69	68	66	63	60	54	71
		L	1290	67	63	62	60	56	51	43	65
	DUCTED DISCHARGE	H	1995	72	71	70	69	64	61	52	68
		M	1735	69	69	68	66	61	58	49	65
		L	1290	61	59	61	58	53	48	39	57
20	CASING RADIATED w/Free Return	H	2290	75	69	66	66	63	61	54	71
		M	1905	72	66	64	63	60	57	50	68
		L	1350	66	62	60	58	54	48	40	62
	DUCTED DISCHARGE	H	2290	66	66	68	67	61	58	48	65
		M	1905	64	64	66	63	59	54	44	62
		L	1350	57	59	62	57	53	45	37	57

NOTES: 1. Unit Tests Configuration: Rear Return/ Front Supply, 4 Row, 10 FPI Coil, 0.0" ESP @ High Speed, 115 VAC Motor, 1/2" dual density fiberglass insulation.
 2. Casing Radiated Testing per AHRI 260-2001: 4.2.2.3 Casing radiated with free inlet, Sound Rating of Ducted Air Moving and Conditioning Equipment.
 3. Ducted Discharge Testing per AHRI 260-2001: 4.2.2.1 Ducted discharge, Sound Rating of Ducted Air Moving and Conditioning Equipment.
 4. Sound power data is expressed in decibels, dB RE: 1×10^{-12} w (picowatts).

Electric Heating

Electric heaters are available on IEC Hi-Performance Series fan coil units for the following applications.

Total Electric Heat

Total electric heat eliminates the requirement for a boiler. Heating and/or cooling may be available on an individual basis throughout the year. Two-pipe chilled water is used for cooling, and the electric heater is used for heating. Individual room controls can be supplied for either manual or automatic changeover.

Auxiliary Electric Heat

Auxiliary electric heat is ideal for tempering room air between seasons and during the cooling season when chilled water is being circulated. Individual room controls are supplied to provide electric heat only when chilled water is being circulated. During the regular heating season, heating is provided by hot water being circulated in the system.

Construction

The heater coils of high-grade resistance wire are supported by ceramic insulators on plated steel brackets. These heat elements are suspended directly in front of the fan outlet. High limit thermal cutouts protect the heater in the event of air failure. There are many special applications and control sequences for electric heat. For special applications, please consult the factory.

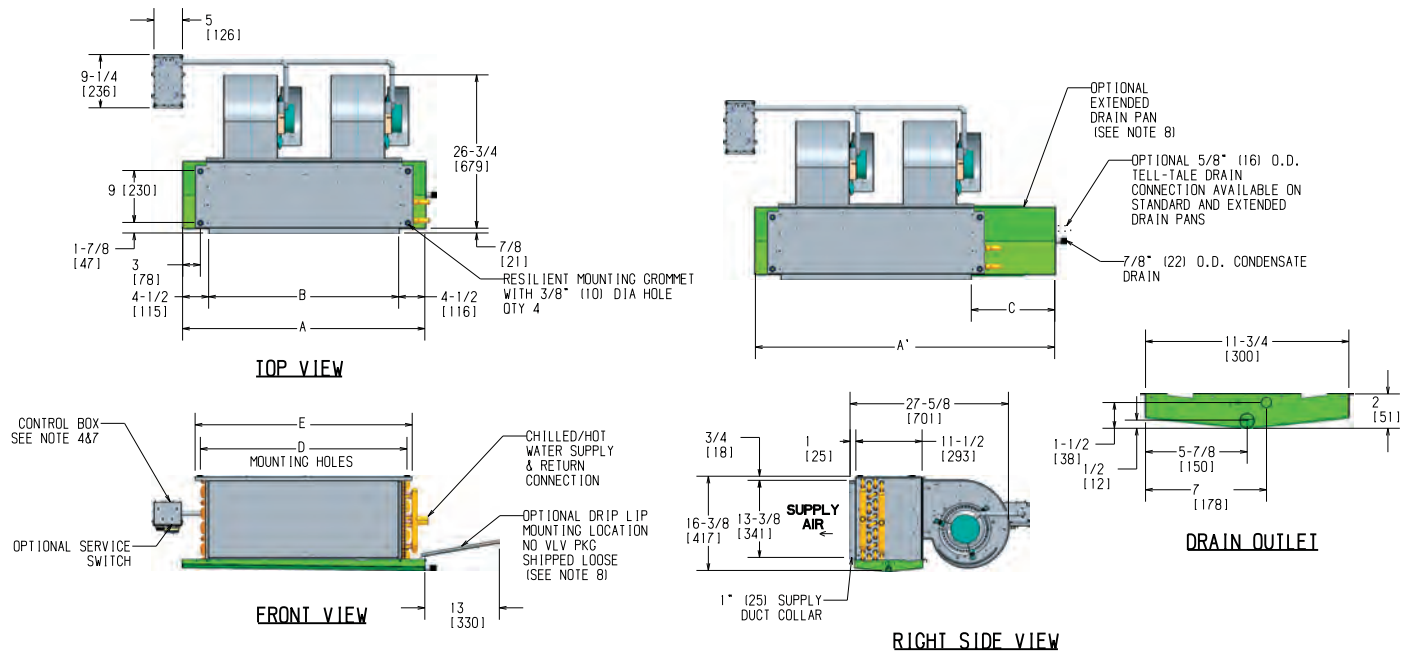
Electric Heater Selection

Unit Type	kW	Unit Size							
		06	08	10	12	14	16	18	20
120V	2.0	•	•	•	–	–	–	–	–
	3.0	•	•	•	–	–	–	–	–
208 V 240 V 277 V	2.0	•	•	•	–	–	–	–	–
	3.0	•	•	•	–	–	–	–	–
	4.0	•	•	•	•	•	•	•	•
	5.0	–	•	•	•	•	•	•	•
	6.0	–	•	•	•	•	•	•	•
	7.0	–	–	•	•	•	•	•	•
	8.0	–	–	–	•	•	•	•	•
	9.0	–	–	–	•	•	•	•	•
10.0	–	–	–	–	•	•	•	•	

- NOTES:
1. All heaters are single stage and single phase.
 2. Heaters over 48 Amps are subdivided and fused.
 3. Electric Heating Capacities (BTUH) = Heater kW x 3413.
 4. Consult factory for 50 Hz applications.

Submittal Data

HHY – Hi-Performance Hideaway, Rear Return



Unit Model	Dimensions – Inches (Millimeters)						Quantity/Unit		Unit Weight*
	A	A'	B	C	D	E	Blower	Motor	
HHY06	23 (584)	32 (813)	14 (356)	13-1/2 (343)	17 (432)	18-3/4 (476)	1	1	64
HHY08	28 (711)	37 (940)	19 (483)	13-1/2 (343)	22 (559)	23-3/4 (603)	1	1	79
HHY10	32 (813)	42 (1067)	23 (584)	14-1/2 (368)	26 (660)	27-3/4 (705)	1	1	90
HHY12	37 (940)	47 (1194)	28 (711)	14-1/2 (368)	31 (787)	32-3/4 (832)	2	2	108
HHY14	42 (1067)	52 (1321)	33 (838)	14-1/2 (368)	36 (914)	37-3/4 (959)	2	2	119
HHY16	47 (1194)	56 (1422)	38 (965)	13-1/2 (343)	41 (1041)	42-3/4 (1086)	2	2	124
HHY18	52 (1321)	62 (1575)	43 (1092)	14-1/2 (368)	46 (1168)	47-3/4 (1213)	2	2	141
HHY20	56 (1422)	66 (1676)	47 (1194)	14-1/2 (368)	50 (1270)	51-3/4 (1314)	2	2	151

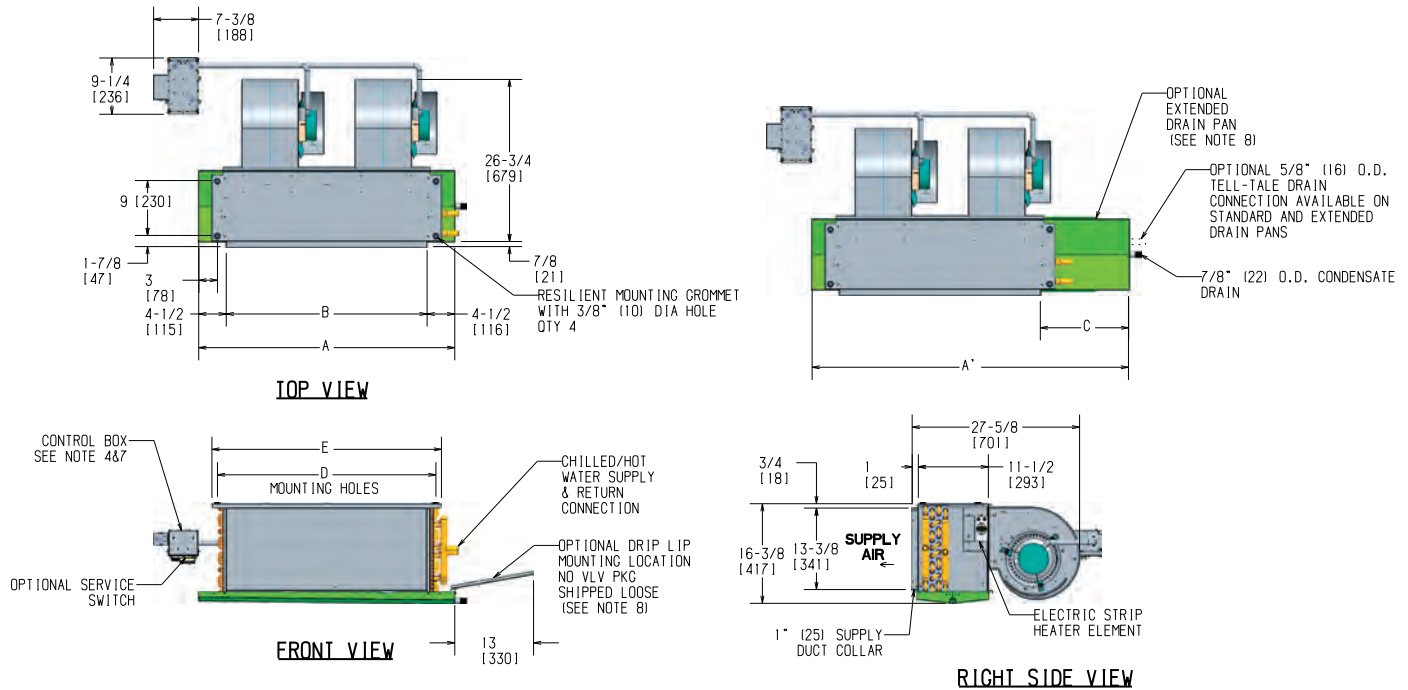
NOTES: * Unit weights (shown in pounds) are based on dry coils, minimum rows and exclude packaging, valves or other components.

1. RH coil shown, LH opposite.
2. All dimension are +/- .25 (6). Drawing not to scale.
3. Product specifications are subject to change without notice.
4. Control box size and position may vary (consult factory).
5. Position may vary.
6. Service access is located on the front of the control box.
7. Knockouts on the bottom and side of the control box for incoming power connections.
8. Drip lip recommended. Required when valve PKG is ordered.

Drawing not to scale and is provided for reference only. Dimensions may vary with options ordered. Consult IEC website for up to date drawings.

Submittal Data, Cont'd.

HHY – Hi-Performance Hideaway, Rear Return, with Optional Electric Heat



Unit Model	Dimensions – Inches (Millimeters)						Quantity/Unit		Unit Weight*
	A	A'	B	C	D	E	Blower	Motor	
HHY06	23 (584)	32 (813)	14 (356)	13-1/2 (343)	17 (432)	18-3/4 (476)	1	1	64
HHY08	28 (711)	37 (940)	19 (483)	13-1/2 (343)	22 (559)	23-3/4 (603)	1	1	79
HHY10	32 (813)	42 (1067)	23 (584)	14-1/2 (368)	26 (660)	27-3/4 (705)	1	1	90
HHY12	37 (940)	47 (1194)	28 (711)	14-1/2 (368)	31 (787)	32-3/4 (832)	2	2	108
HHY14	42 (1067)	52 (1321)	33 (838)	14-1/2 (368)	36 (914)	37-3/4 (959)	2	2	119
HHY16	47 (1194)	56 (1422)	38 (965)	13-1/2 (343)	41 (1041)	42-3/4 (1086)	2	2	124
HHY18	52 (1321)	62 (1575)	43 (1092)	14-1/2 (368)	46 (1168)	47-3/4 (1213)	2	2	141
HHY20	56 (1422)	66 (1676)	47 (1194)	14-1/2 (368)	50 (1270)	51-3/4 (1314)	2	2	151

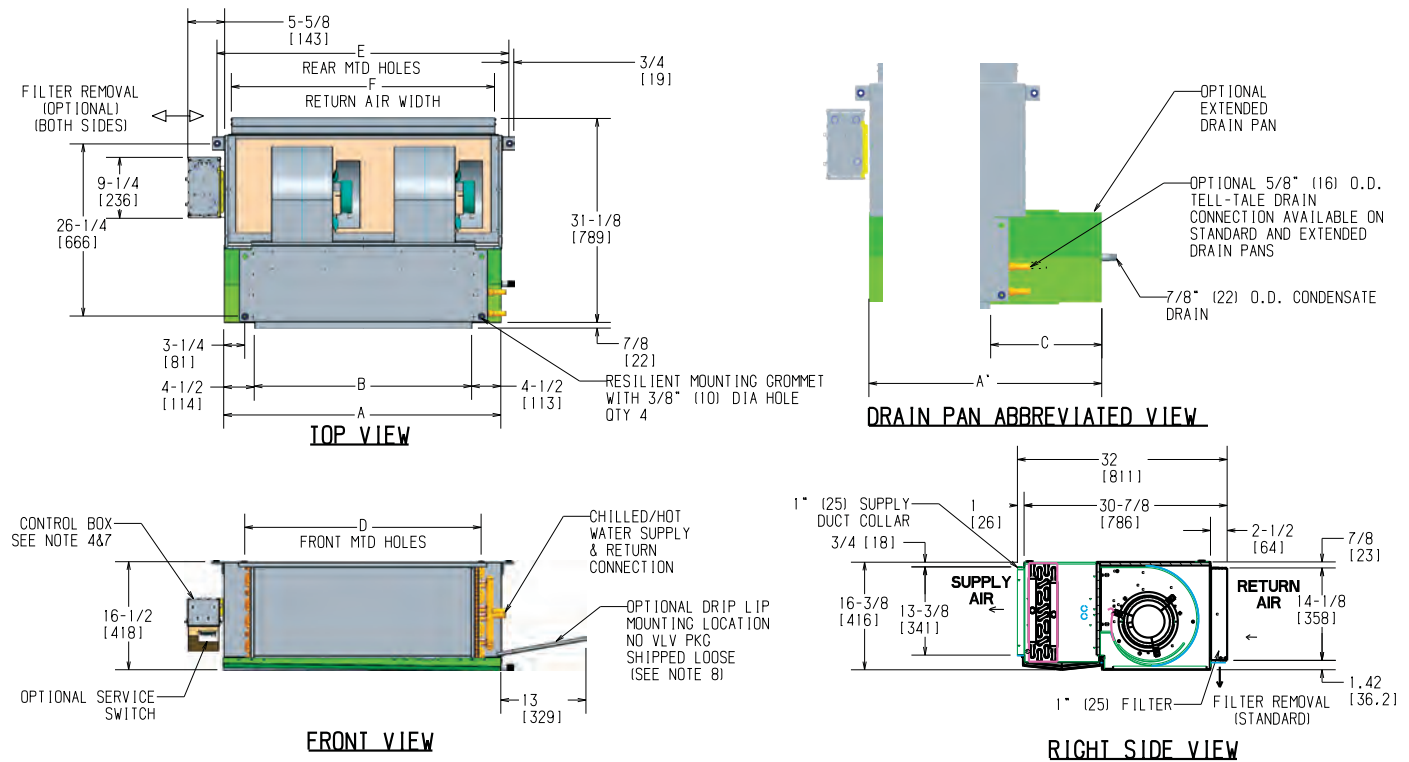
NOTES: * Unit weights (shown in pounds) are based on dry coils, minimum rows and exclude packaging, valves or other components.

1. RH coil shown, LH opposite.
2. All dimension are +/- .25 (6). Drawing not to scale.
3. Product specifications are subject to change without notice.
4. Control box size and position may vary (consult factory).
5. Position may vary.
6. Service access is located on the front of the control box.
7. Knockouts on the bottom and side of the control box for incoming power connections.
8. Drip lip recommended. Required when valve PKG is ordered.

Drawing not to scale and is provided for reference only. Dimensions may vary with options ordered. Consult IEC website for up to date drawings.

Submittal Data, Cont'd.

HPY – Hi-Performance Hideaway with Plenum, Rear Return



Unit Model	Dimensions – Inches (Millimeters)							Quantity/Unit		Unit Weight*
	A	A'	B	C	D	E	F	Blower	Motor	
HPY06	23 (584)	32 (813)	14 (356)	13-1/2 (343)	17 (432)	25-1/2 (648)	21 (533)	1	1	94
HPY08	28 (711)	37 (940)	19 (483)	13-1/2 (343)	22 (559)	30-1/2 (775)	26 (660)	1	1	107
HPY10	32 (813)	42 (1067)	23 (584)	14-1/2 (368)	26 (660)	34-1/2 (877)	30 (762)	1	1	150
HPY12	37 (940)	47 (1194)	28 (711)	14-1/2 (368)	31 (787)	39-1/2 (1004)	35 (889)	2	2	169
HPY14	42 (1067)	52 (1321)	33 (838)	14-1/2 (368)	36 (914)	44-1/2 (1131)	40 (1016)	2	2	174
HPY16	47 (1194)	56 (1422)	38 (965)	13-1/2 (343)	41 (1041)	49-1/2 (1258)	45 (1143)	2	2	178
HPY18	52 (1321)	52 (1321)	43 (1092)	14-1/2 (368)	46 (1168)	54-1/2 (1385)	50 (1270)	2	2	195
HPY20	56 (1422)	66 (1676)	47 (1194)	14-1/2 (368)	50 (1270)	58-1/2 (1487)	54 (1372)	2	2	220

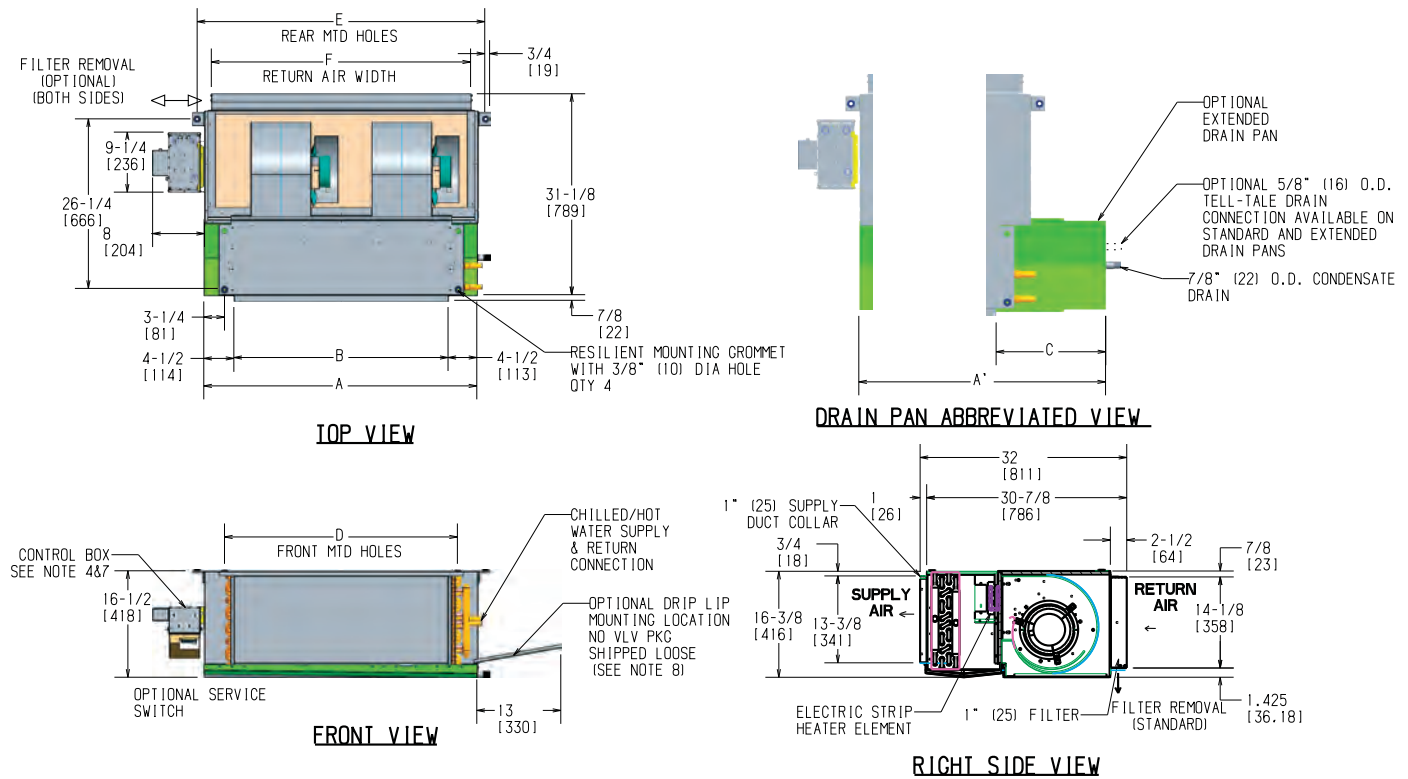
NOTES: * Unit weights (shown in pounds) are based on dry coils, minimum rows and exclude packaging, valves or other components.

1. RH coil shown, LH opposite.
2. All dimension are +/- .25 (6). Drawing not to scale.
3. Product specifications are subject to change without notice.
4. Control box size and position may vary (consult factory).
5. Position may vary.
6. Service access is located on the front of the control box.
7. Knockouts on the bottom and side of the control box for incoming power connections.
8. Drip lip recommended. Required when valve PKG is ordered.

Drawing not to scale and is provided for reference only. Dimensions may vary with options ordered. Consult IEC website for up to date drawings.

Submittal Data, Cont'd.

HPY – Hi-Performance Hideaway with Plenum and Optional Electric Heat, Rear Return



Unit Model	Dimensions – Inches (Millimeters)							Quantity/Unit		Unit Weight*
	A	A'	B	C	D	E	F	Blower	Motor	
HPY06	23 (584)	32 (813)	14 (356)	13-1/2 (343)	17 (432)	25-1/2 (648)	21 (533)	1	1	94
HPY08	28 (711)	37 (940)	19 (483)	13-1/2 (343)	22 (559)	30-1/2 (775)	26 (660)	1	1	107
HPY10	32 (813)	42 (1067)	23 (584)	14-1/2 (368)	26 (660)	34-1/2 (877)	30 (762)	1	1	150
HPY12	37 (940)	47 (1194)	28 (711)	14-1/2 (368)	31 (787)	39-1/2 (1004)	35 (889)	2	2	169
HPY14	42 (1067)	52 (1321)	33 (838)	14-1/2 (368)	36 (914)	44-1/2 (1131)	40 (1016)	2	2	174
HPY16	47 (1194)	56 (1422)	38 (965)	13-1/2 (343)	41 (1041)	49-1/2 (1258)	45 (1143)	2	2	178
HPY18	52 (1321)	52 (1321)	43 (1092)	14-1/2 (368)	46 (1168)	54-1/2 (1385)	50 (1270)	2	2	195
HPY20	56 (1422)	66 (1676)	47 (1194)	14-1/2 (368)	50 (1270)	58-1/2 (1487)	54 (1372)	2	2	220

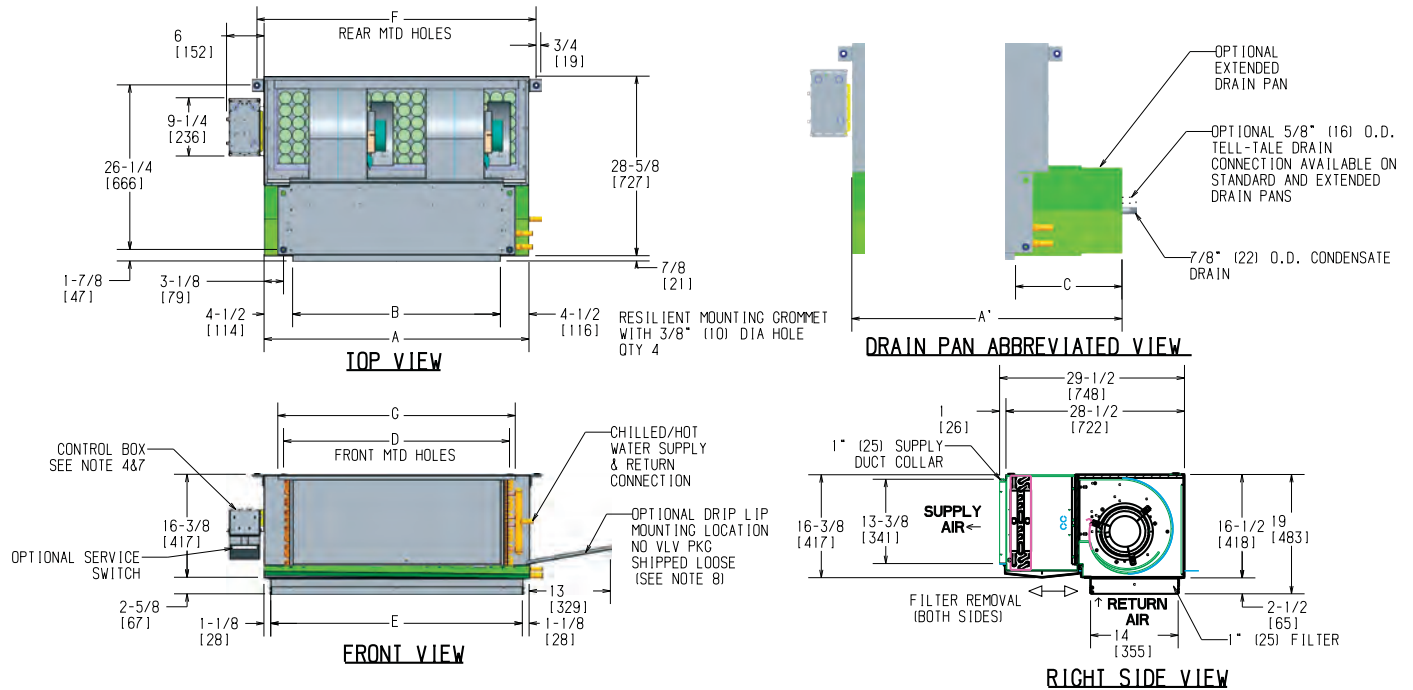
NOTES: * Unit weights (shown in pounds) are based on dry coils, minimum rows and exclude packaging, valves or other components.

1. RH coil shown, LH opposite.
2. All dimension are +/- .25 (6). Drawing not to scale.
3. Product specifications are subject to change without notice.
4. Control box size and position may vary (consult factory).
5. Position may vary.
6. Service access is located on the front of the control box.
7. Knockouts on the bottom and side of the control box for incoming power connections.
8. Drip lip recommended. Required when valve PKG is ordered.

Drawing not to scale and is provided for reference only. Dimensions may vary with options ordered. Consult IEC website for up to date drawings.

Submittal Data, Cont'd.

HPY – Hi-Performance Hideaway with Plenum, Bottom Return



Unit Model	Dimensions – Inches (Millimeters)								Quantity/Unit		Unit Weight*
	A	A'	B	C	D	E	F	G	Blower	Motor	
HPY06	23 (584)	32 (813)	14 (356)	13-1/2 (343)	17 (432)	21 (533)	25-1/2 (648)	18-3/4 (476)	1	1	94
HPY08	28 (711)	37 (940)	19 (483)	13-1/2 (343)	22 (559)	26 (660)	30-1/2 (775)	23-3/4 (603)	1	1	107
HPY10	32 (813)	42 (1067)	23 (584)	14-1/2 (368)	26 (660)	30 (762)	34-1/2 (877)	27-3/4 (705)	1	1	150
HPY12	37 (940)	47 (1194)	28 (711)	14-1/2 (368)	31 (787)	35 (889)	39-1/2 (1004)	32-3/4 (832)	2	2	169
HPY14	42 (1067)	52 (1321)	33 (838)	14-1/2 (368)	36 (914)	40 (1016)	44-1/2 (1131)	37-3/4 (959)	2	2	174
HPY16	47 (1194)	56 (1422)	38 (965)	13-1/2 (343)	41 (1041)	45 (1143)	49-1/2 (1258)	42-3/4 (1086)	2	2	178
HPY18	52 (1321)	52 (1321)	43 (1092)	14-1/2 (368)	46 (1168)	50 (1270)	54-1/2 (1385)	47-3/4 (1213)	2	2	195
HPY20	56 (1422)	66 (1676)	47 (1194)	14-1/2 (368)	50 (1270)	54 (1372)	58-1/2 (1487)	51-3/4 (1314)	2	2	220

NOTES: * Unit weights (shown in pounds) are based on dry coils, minimum rows and exclude packaging, valves or other components.

1. RH coil shown, LH opposite.
2. All dimension are +/- .25 (6). Drawing not to scale.
3. Product specifications are subject to change without notice.
4. Control box size and position may vary (consult factory).
5. Position may vary.
6. Service access is located on the front of the control box.
7. Knockouts on the bottom and side of the control box for incoming power connections.
8. Drip lip recommended. Required when valve PKG is ordered.

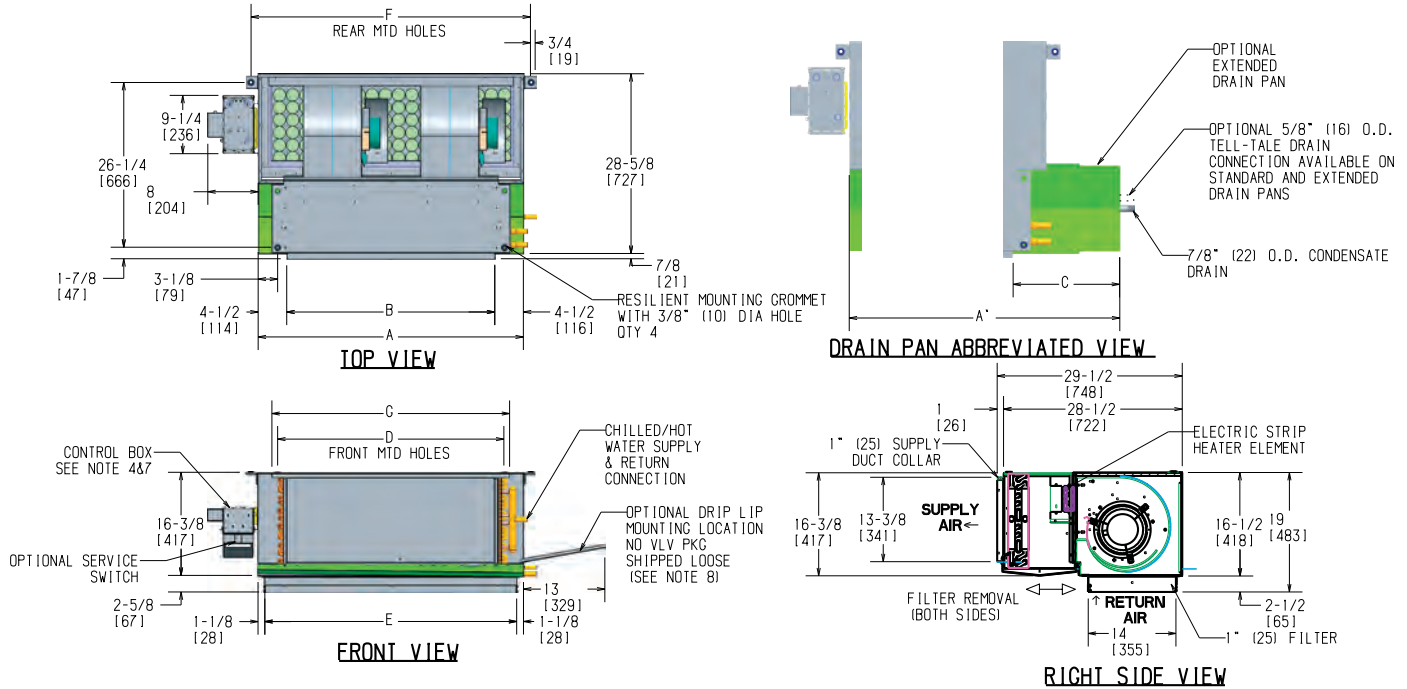
Drawing not to scale and is provided for reference only. Dimensions may vary with options ordered. Consult IEC website for up to date drawings.

Hi-Performance Series

FAN COIL TECHNICAL CATALOG

Submittal Data, Cont'd.

HPY – Hi-Performance Hideaway with Plenum and Optional Electric Heat, Bottom Return



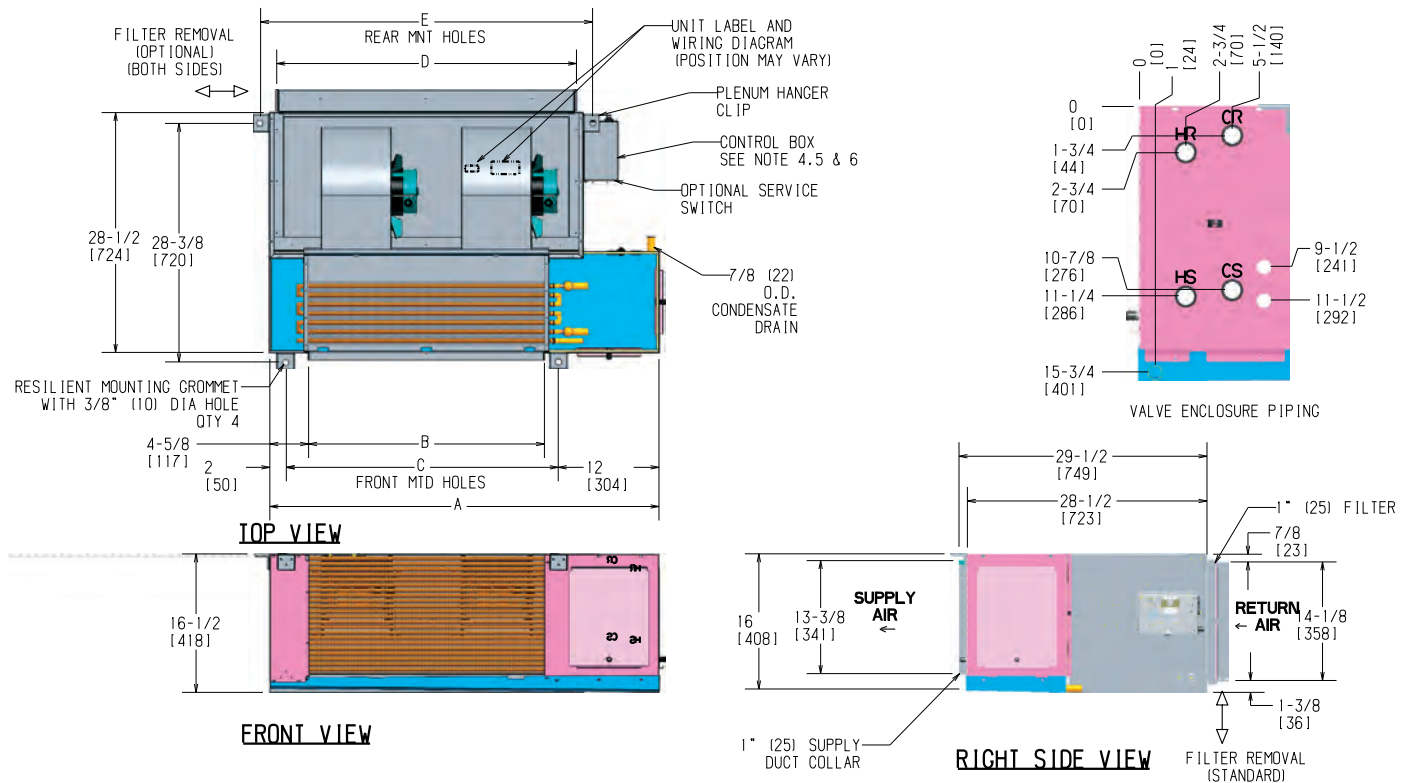
Unit Model	Dimensions – Inches (Millimeters)								Quantity/Unit		Unit Weight*
	A	A'	B	C	D	E	F	G	Blower	Motor	
HPY06	23 (584)	32 (813)	14 (356)	13-1/2 (343)	17 (432)	21 (533)	25-1/2 (648)	18-3/4 (476)	1	1	94
HPY08	28 (711)	37 (940)	19 (483)	13-1/2 (343)	22 (559)	26 (660)	30-1/2 (775)	23-3/4 (603)	1	1	107
HPY10	32 (813)	42 (1067)	23 (584)	14-1/2 (368)	26 (660)	30 (762)	34-1/2 (877)	27-3/4 (705)	1	1	150
HPY12	37 (940)	47 (1194)	28 (711)	14-1/2 (368)	31 (787)	35 (889)	39-1/2 (1004)	32-3/4 (832)	2	2	169
HPY14	42 (1067)	52 (1321)	33 (838)	14-1/2 (368)	36 (914)	40 (1016)	44-1/2 (1131)	37-3/4 (959)	2	2	174
HPY16	47 (1194)	56 (1422)	38 (965)	13-1/2 (343)	41 (1041)	45 (1143)	49-1/2 (1258)	42-3/4 (1086)	2	2	178
HPY18	52 (1321)	52 (1321)	43 (1092)	14-1/2 (368)	46 (1168)	50 (1270)	54-1/2 (1385)	47-3/4 (1213)	2	2	195
HPY20	56 (1422)	66 (1676)	47 (1194)	14-1/2 (368)	50 (1270)	54 (1372)	58-1/2 (1487)	51-3/4 (1314)	2	2	220

- NOTES: *
- Unit weights (shown in pounds) are based on dry coils, minimum rows and exclude packaging, valves or other components.
 - RH coil shown, LH opposite.
 - All dimension are +/- .25 (6). Drawing not to scale.
 - Product specifications are subject to change without notice.
 - Control box size and position may vary (consult factory).
 - Position may vary.
 - Service access is located on the front of the control box.
 - Knockouts on the bottom and side of the control box for incoming power connections.
 - Drip lip recommended. Required when valve PKG is ordered.

Drawing not to scale and is provided for reference only. Dimensions may vary with options ordered. Consult IEC website for up to date drawings.

Submittal Data, Cont'd.

HPY – Hi-Performance Hideaway with Plenum with Same Side Piping, with Valve Package Enclosure



Unit Model	Dimensions – Inches (Millimeters)					Quantity/Unit		Unit Weight*
	A	B	C	D	E	Blower	Motor	
HPY06	32 (813)	14 (356)	18-1/2 (470)	21 (533)	25-1/2 (648)	1	1	94
HPY08	37 (940)	19 (483)	23-1/2 (597)	26 (660)	30-1/2 (775)	1	1	107
HPY10	41 (1041)	23 (584)	27-1/2 (699)	30 (762)	34-1/2 (877)	1	1	150
HPY12	46 (1168)	28 (711)	33-1/2 (851)	35 (889)	39-1/2 (1004)	2	2	169
HPY14	51 (1295)	33 (838)	37-1/2 (953)	40 (1016)	44-1/2 (1131)	2	2	174
HPY16	56 (1422)	38 (965)	42-1/2 (1079)	45 (1143)	49-1/2 (1258)	2	2	178
HPY18	61 (1549)	43 (1092)	47-1/2 (1206)	50 (1270)	54-1/2 (1385)	2	2	195
HPY20	65 (1651)	47 (1194)	51-1/2 (1308)	54 (1372)	58-1/2 (1487)	2	2	220

NOTES: * Unit weights (shown in pounds) are based on dry coils, minimum rows and exclude packaging, valves or other components.

1. RH coil shown, LH opposite.
2. All dimension are +/- .25 (6). Drawing not to scale.
3. Product specifications are subject to change without notice.
4. Control box size and position may vary (consult factory).
5. Service access is located on the front of the control box.
6. Knockouts on the bottom and side of the control box for incoming power connections.

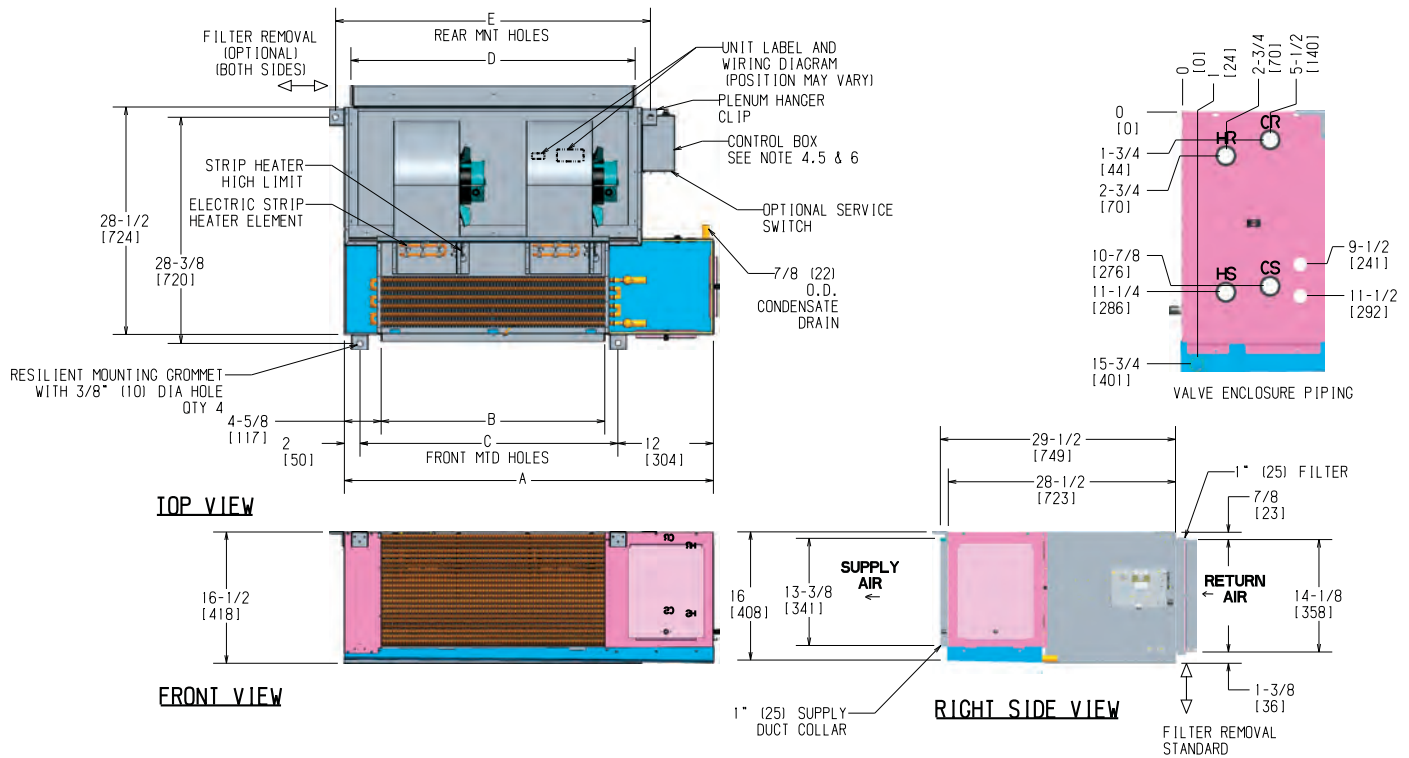
Drawing not to scale and is provided for reference only. Dimensions may vary with options ordered. Consult IEC website for up to date drawings.

Hi-Performance Series

FAN COIL TECHNICAL CATALOG

Submittal Data, Cont'd.

HPY – Hi-Performance Hideaway with Plenum with Same Side Piping, with Electric Heat, with Valve Package Enclosure



Unit Model	Dimensions – Inches (Millimeters)					Quantity/Unit		Unit Weight*
	A	B	C	D	E	Blower	Motor	
HPY06	32 (813)	14 (356)	18-1/2 (470)	21 (533)	25-1/2 (648)	1	1	94
HPY08	37 (940)	19 (483)	23-1/2 (597)	26 (660)	30-1/2 (775)	1	1	107
HPY10	41 (1041)	23 (584)	27-1/2 (699)	30 (762)	34-1/2 (877)	1	1	150
HPY12	46 (1168)	28 (711)	33-1/2 (851)	35 (889)	39-1/2 (1004)	2	2	169
HPY14	51 (1295)	33 (838)	37-1/2 (953)	40 (1016)	44-1/2 (1131)	2	2	174
HPY16	56 (1422)	38 (965)	42-1/2 (1079)	45 (1143)	49-1/2 (1258)	2	2	178
HPY18	61 (1549)	43 (1092)	47-1/2 (1206)	50 (1270)	54-1/2 (1385)	2	2	195
HPY20	65 (1651)	47 (1194)	51-1/2 (1308)	54 (1372)	58-1/2 (1487)	2	2	220

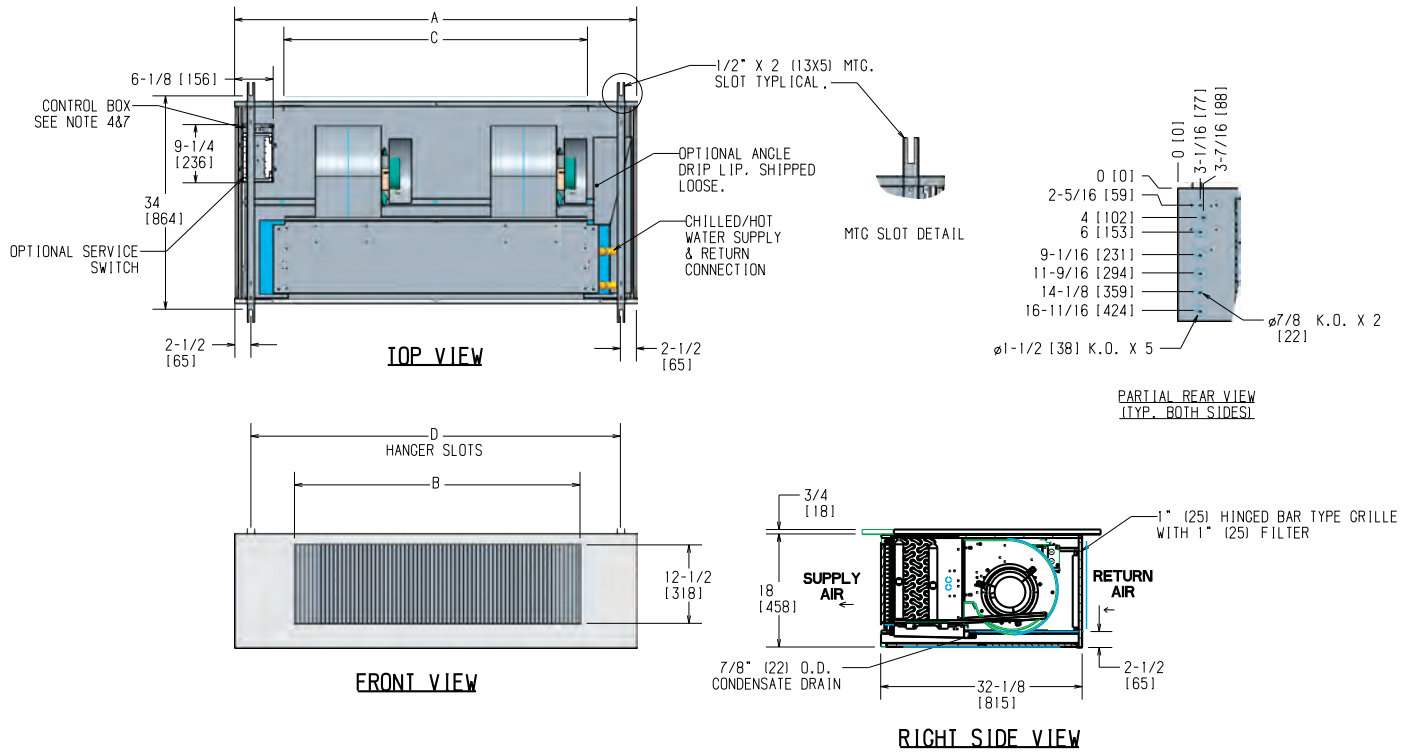
NOTES: * Unit weights (shown in pounds) are based on dry coils, minimum rows and exclude packaging, valves or other components.

1. RH coil shown, LH opposite.
2. All dimension are +/- .25 (6). Drawing not to scale.
3. Product specifications are subject to change without notice.
4. Control box size and position may vary (consult factory).
5. Service access is located on the front of the control box.
6. Knockouts on the bottom and side of the control box for incoming power connections.

Drawing not to scale and is provided for reference only. Dimensions may vary with options ordered. Consult IEC website for up to date drawings.

Submittal Data, Cont'd.

HLY – Hi-Performance Cabinet



Unit Model	Dimensions – Inches (Millimeters)				Quantity/Unit		Unit Weight*
	A	B	C	D	Blower	Motor	
HLY06	31 (787)	13 (330)	14 (356)	26 (660)	1	1	157
HLY08	36 (914)	18 (457)	20 (508)	31 (787)	1	1	167
HLY10	40 (1016)	22 (558)	24 (610)	35 (889)	1	1	177
HLY12	45 (1143)	27 (686)	28 (711)	40 (1016)	2	2	202
HLY14	50 (1270)	32 (813)	34 (864)	45 (1143)	2	2	215
HLY16	55 (1397)	37 (940)	38 (965)	50 (1270)	2	2	225
HLY18	60 (1524)	42 (1067)	44 (1118)	55 (1397)	2	2	240
HLY20	64 (1626)	46 (1168)	48 (1219)	59 (1499)	2	2	255

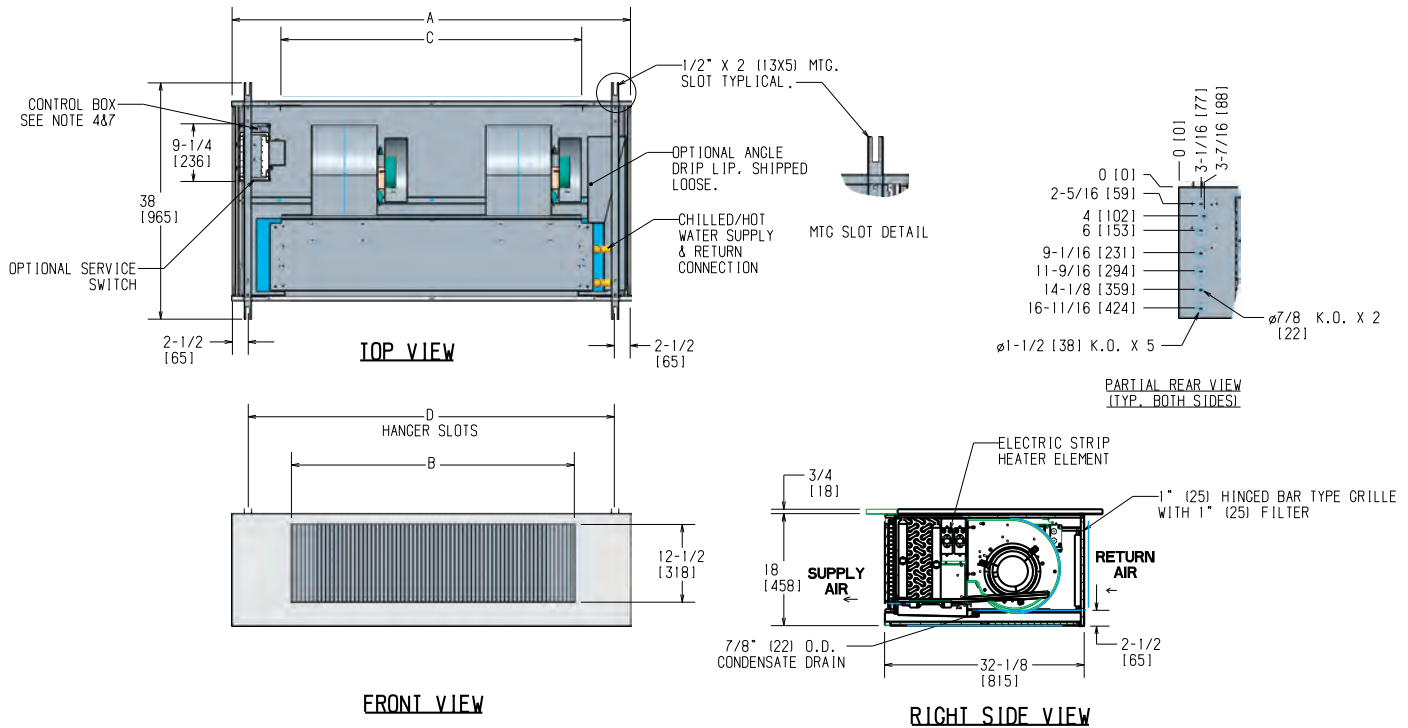
NOTES: * Unit weights (shown in pounds) are based on dry coils, minimum rows and exclude packaging, valves or other components.

1. RH coil shown, LH opposite.
2. All dimension are +/- .25 (6). Drawing not to scale.
3. Product specifications are subject to change without notice.
4. Control box size and position may vary (consult factory).
5. Position may vary.
6. Service access is located on the front of the control box.
7. Knockouts on the bottom and side of the control box for incoming power connections.
8. Drip lip recommended. Required when valve PKG is ordered.

Drawing not to scale and is provided for reference only. Dimensions may vary with options ordered. Consult IEC website for up to date drawings.

Submittal Data, Cont'd.

HLY – Hi-Performance Cabinet with Optional Electric Heat



Unit Model	Dimensions – Inches (Millimeters)				Quantity/Unit		Unit Weight*
	A	B	C	D	Blower	Motor	
HLY06	31 (787)	13 (330)	14 (356)	26 (660)	1	1	157
HLY08	36 (914)	18 (457)	20 (508)	31 (787)	1	1	167
HLY10	40 (1016)	22 (558)	24 (610)	35 (889)	1	1	177
HLY12	45 (1143)	27 (686)	28 (711)	40 (1016)	2	2	202
HLY14	50 (1270)	32 (813)	34 (864)	45 (1143)	2	2	215
HLY16	55 (1397)	37 (940)	38 (965)	50 (1270)	2	2	225
HLY18	60 (1524)	42 (1067)	44 (1118)	55 (1397)	2	2	240
HLY20	64 (1626)	46 (1168)	48 (1219)	59 (1499)	2	2	255

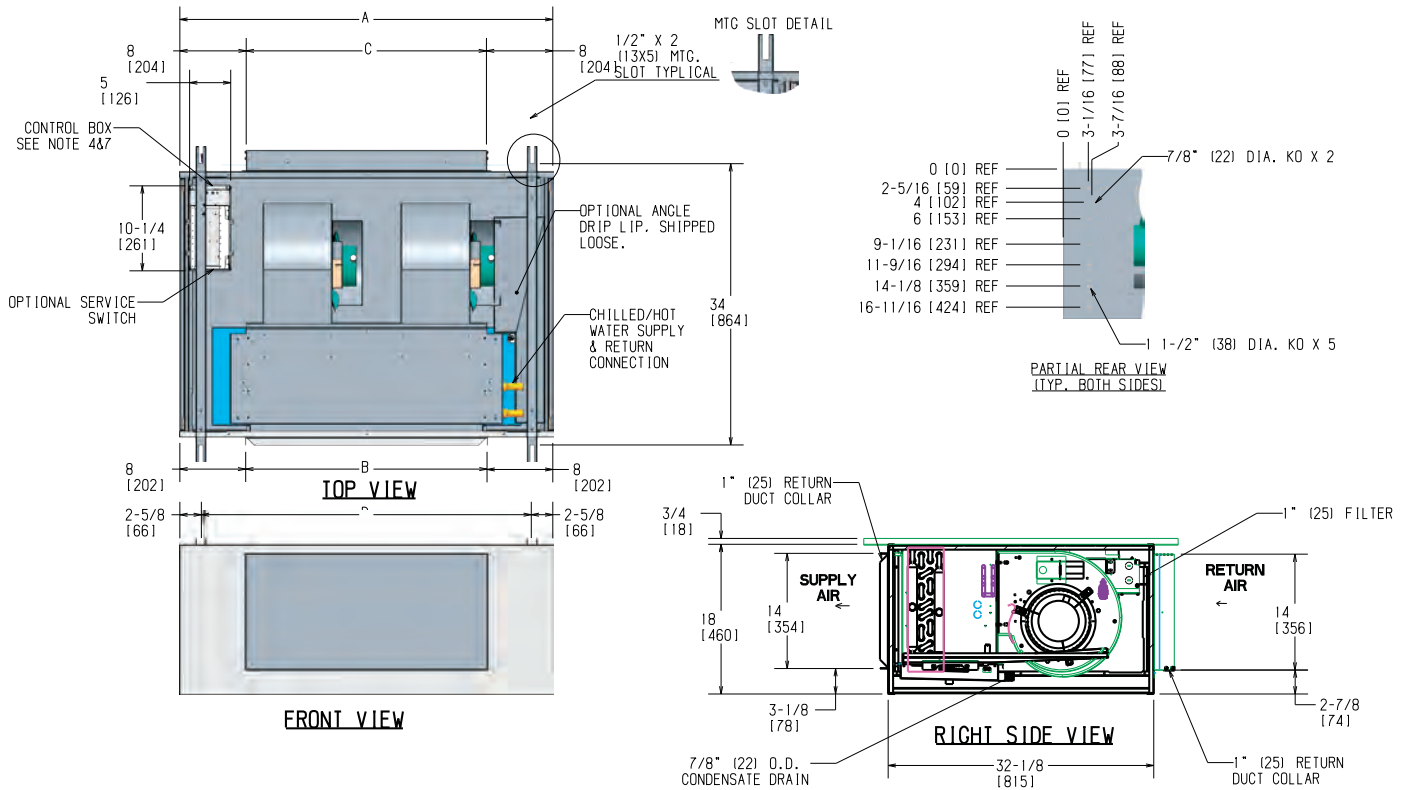
NOTES: * Unit weights (shown in pounds) are based on dry coils, minimum rows and exclude packaging, valves or other components.

1. RH coil shown, LH opposite.
2. All dimension are +/- .25 (6). Drawing not to scale.
3. Product specifications are subject to change without notice.
4. Control box size and position may vary (consult factory).
5. Position may vary.
6. Service access is located on the front of the control box.
7. Knockouts on the bottom and side of the control box for incoming power connections.
8. Drip lip recommended. Required when valve PKG is ordered.

Drawing not to scale and is provided for reference only. Dimensions may vary with options ordered. Consult IEC website for up to date drawings.

Submittal Data, Cont'd.

HXY – Hi-Performance Horizontal Cased



Unit Model	Dimensions – Inches (Millimeters)				Quantity/Unit		Unit Weight*
	A	B	C	D	Blower	Motor	
HXY06	31 (787)	15 (381)	15 (381)	26 (660)	1	1	150
HXY08	36 (914)	20 (508)	20 (508)	31 (787)	1	1	160
HXY10	40 (1016)	24 (610)	24 (610)	35 (889)	1	1	170
HXY12	45 (1143)	29 (737)	29 (737)	40 (1016)	2	2	195
HXY14	50 (1270)	34 (864)	34 (864)	45 (1143)	2	2	205
HXY16	55 (1397)	39 (991)	39 (991)	50 (1270)	2	2	215
HXY18	60 (1524)	44 (1118)	44 (1118)	55 (1397)	2	2	230
HXY20	64 (1626)	48 (1219)	48 (1219)	59 (1499)	2	2	235

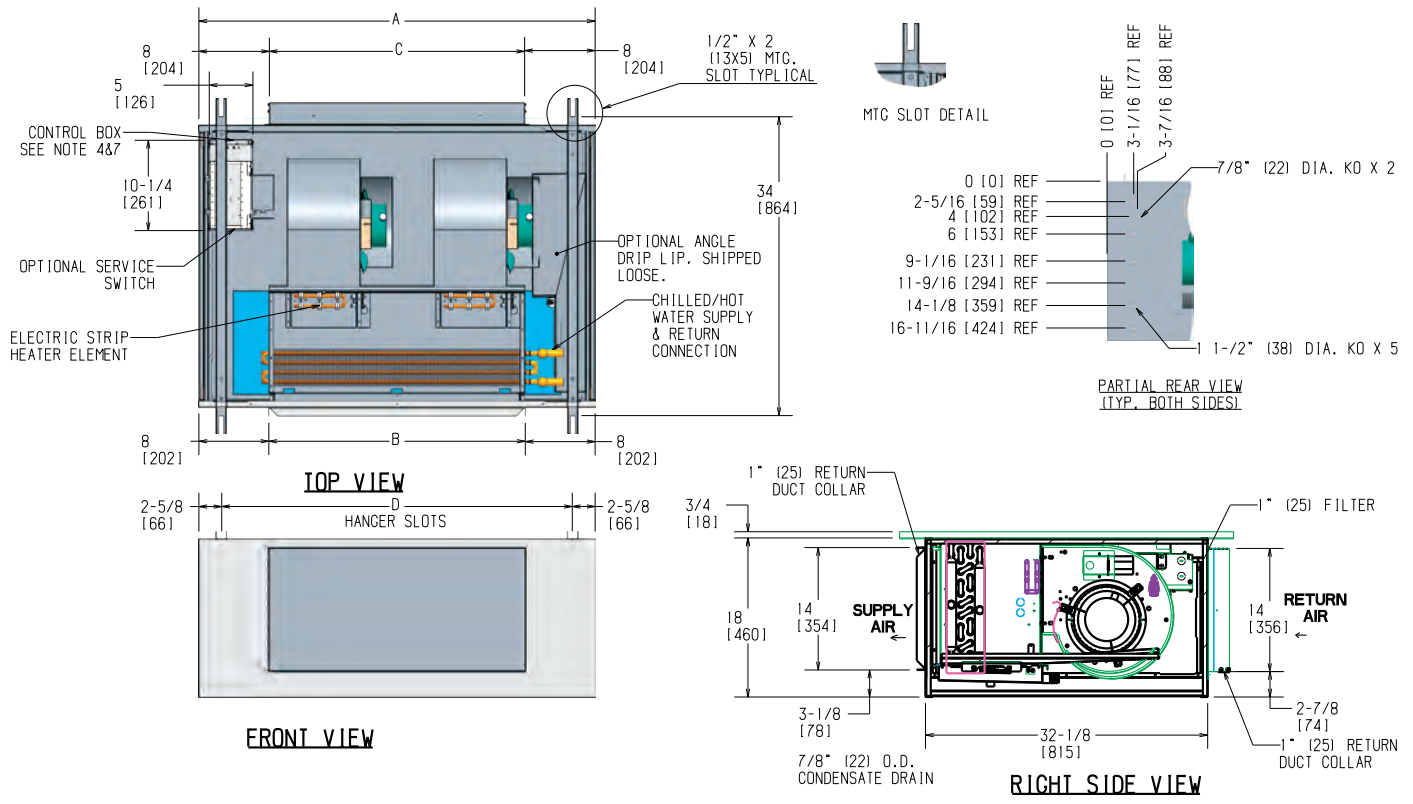
NOTES: * Unit weights (shown in pounds) are based on dry coils, minimum rows and exclude packaging, valves or other components.

1. RH coil shown, LH opposite.
2. All dimensions +/- .25 (6). Drawing not to scale.
3. Product specifications are subject to changes without notice.
4. Control box size and position may vary (consult factory).
5. Position may vary.
6. Service access is located on the front of the control box.
7. Knockouts on the bottom and side of the control box for incoming power connections.
8. Drip lip recommended. Required when valve PKG is ordered.

Drawing not to scale and is provided for reference only. Dimensions may vary with options ordered. Consult IEC website for up to date drawings.

Submittal Data, Cont'd.

HXY – Hi-Performance Horizontal Cased with Optional Electric Heat



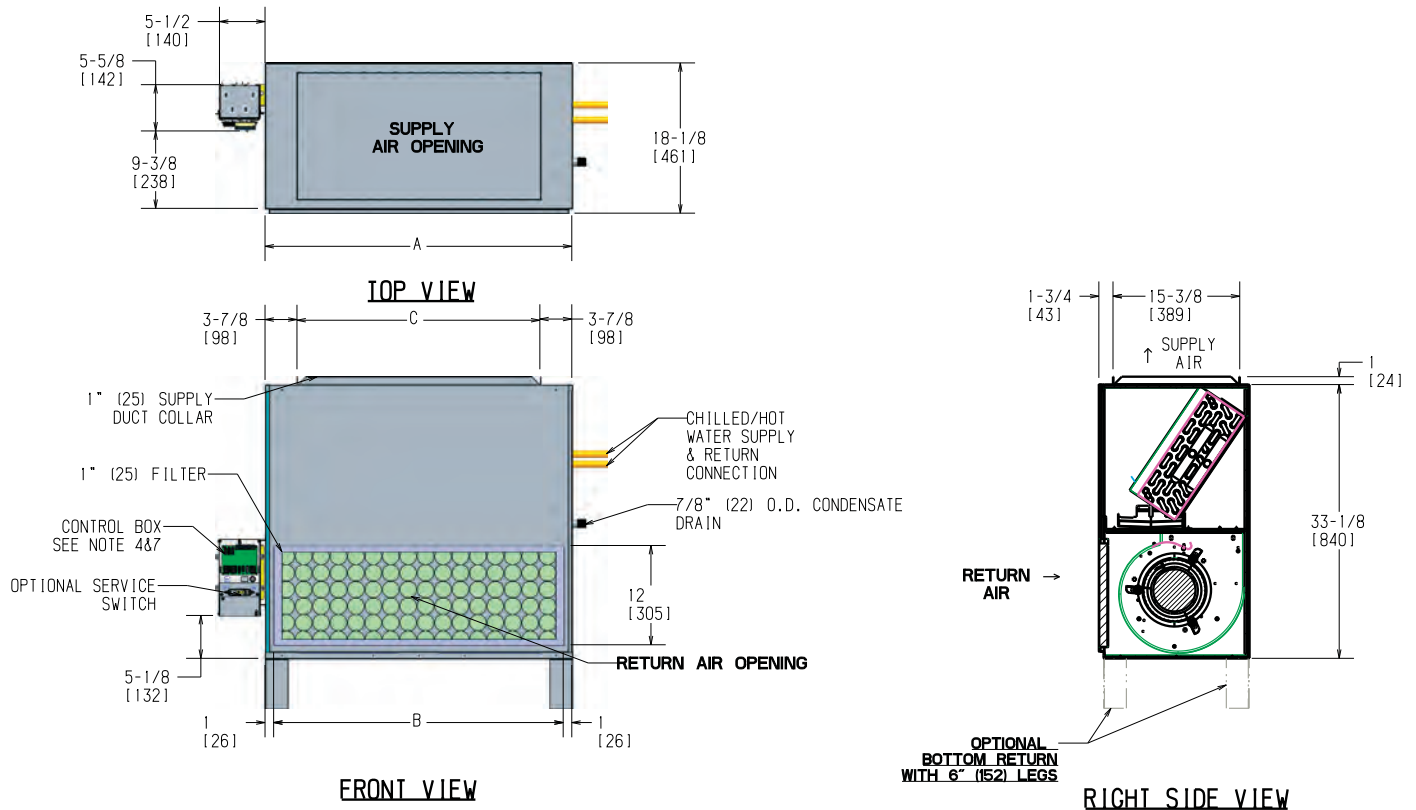
Unit Model	Dimensions – Inches (Millimeters)				Quantity/Unit		Unit Weight*
	A	B	C	D	Blower	Motor	
HXY06	31 (787)	15 (381)	15 (381)	26 (660)	1	1	150
HXY08	36 (914)	20 (508)	20 (508)	31 (787)	1	1	160
HXY10	40 (1016)	24 (610)	24 (610)	35 (889)	1	1	170
HXY12	45 (1143)	29 (737)	29 (737)	40 (1016)	2	2	195
HXY14	50 (1270)	34 (864)	34 (864)	45 (1143)	2	2	205
HXY16	55 (1397)	39 (991)	39 (991)	50 (1270)	2	2	215
HXY18	60 (1524)	44 (1118)	44 (1118)	55 (1397)	2	2	230
HXY20	64 (1626)	48 (1219)	48 (1219)	59 (1499)	2	2	235

- NOTES: * Unit weights (shown in pounds) are based on dry coils, minimum rows and exclude packaging, valves or other components.
1. RH coil shown, LH opposite.
 2. All dimensions +/- .25 (6). Drawing not to scale.
 3. Product specifications are subject to changes without notice.
 4. Control box size and position may vary (consult factory).
 5. Position may vary.
 6. Service access is located on the front of the control box.
 7. Knockouts on the bottom and side of the control box for incoming power connections.
 8. Drip lip recommended. Required when valve PKG is ordered.

Drawing not to scale and is provided for reference only. Dimensions may vary with options ordered. Consult IEC website for up to date drawings.

Submittal Data, Cont'd.

VEY – Hi-Performance Vertical Cased



Unit Model	Dimensions – Inches (Millimeters)			Quantity/Unit		Unit Weight*
	A	B	C	Blower	Motor	
VEY06	23 (584)	21 (533)	15 (381)	1	1	135
VEY08	28 (711)	26 (660)	20 (508)	1	1	145
VEY10	32 (813)	30 (762)	24 (610)	1	1	155
VEY12	37 (940)	35 (889)	29 (737)	2	2	180
VEY14	42 (1067)	40 (1016)	34 (864)	2	2	190
VEY16	47 (1194)	45 (1143)	39 (991)	2	2	200
VEY18	52 (1321)	50 (1270)	44 (1118)	2	2	215
VEY20	56 (1422)	54 (1372)	48 (1220)	2	2	230

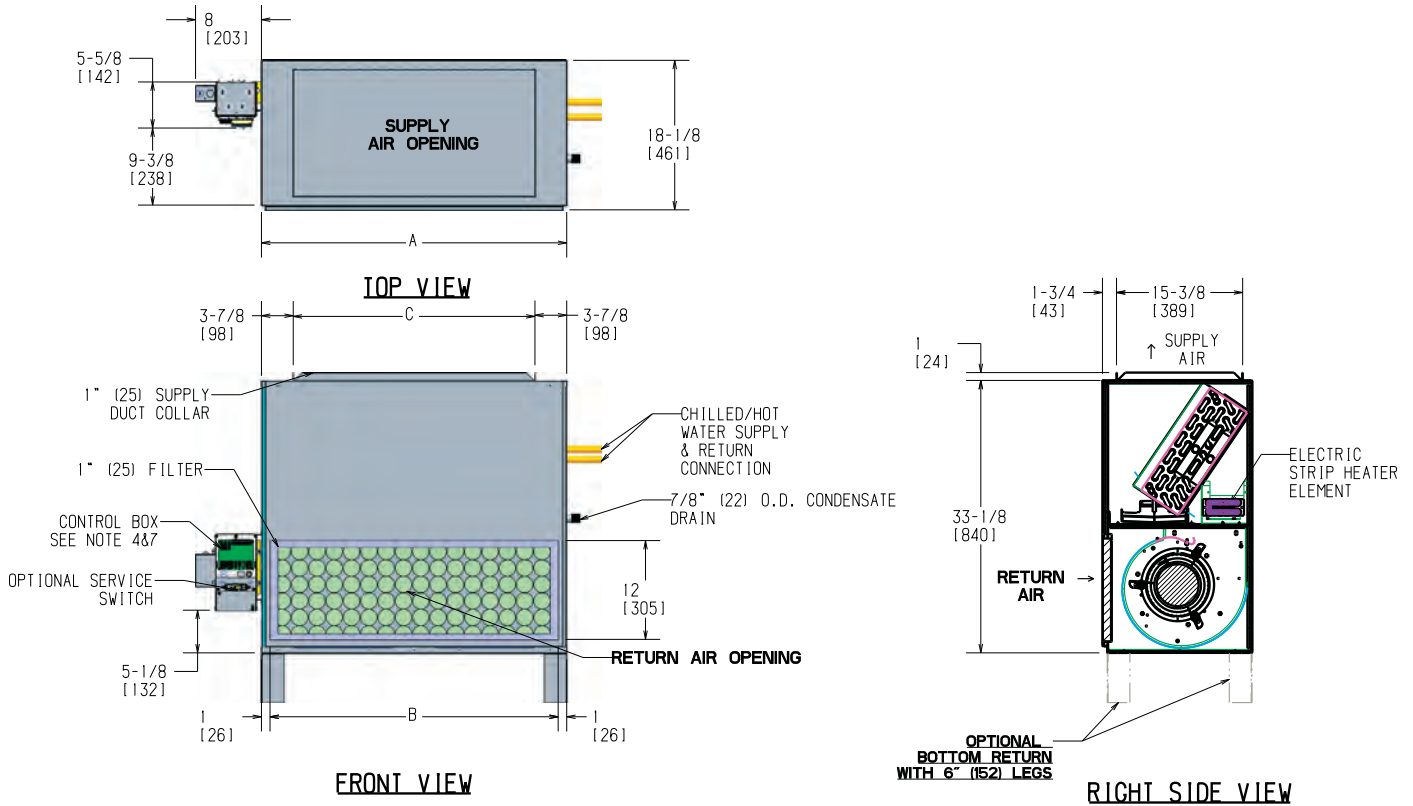
NOTES: * Unit weights (shown in pounds) are based on dry coils, minimum rows and exclude packaging, valves or other components.

1. RH coil shown, LH opposite.
2. All dimensions are +/- .25 (6). Drawing not to scale.
3. Product specifications are subject to change without notice.
4. Control box size and position may vary (consult factory).
5. Position may vary.
6. Service access is located on the front of the control box.
7. Knockouts on the bottom and side of the control box for incoming power connections.

Drawing not to scale and is provided for reference only. Dimensions may vary with options ordered. Consult IEC website for up to date drawings.

Submittal Data, Cont'd.

VEY – Hi-Performance Vertical Cased with Optional Electric Heat



Unit Model	Dimensions – Inches (Millimeters)			Quantity/Unit		Unit Weight*
	A	B	C	Blower	Motor	
VEY06	23 (584)	21 (533)	15 (381)	1	1	135
VEY08	28 (711)	26 (660)	20 (508)	1	1	145
VEY10	32 (813)	30 (762)	24 (610)	1	1	155
VEY12	37 (940)	35 (889)	29 (737)	2	2	180
VEY14	42 (1067)	40 (1016)	34 (864)	2	2	190
VEY16	47 (1194)	45 (1143)	39 (991)	2	2	200
VEY18	52 (1321)	50 (1270)	44 (1118)	2	2	215
VEY20	56 (1422)	54 (1372)	48 (1220)	2	2	230

NOTES: * Unit weights (shown in pounds) are based on dry coils, minimum rows and exclude packaging, valves or other components.

1. RH coil shown, LH opposite.
2. All dimensions are +/- .25 (6). Drawing not to scale.
3. Product specifications are subject to change without notice.
4. Control box size and position may vary (consult factory).
5. Position may vary.
6. Service access is located on the front of the control box.
7. Knockouts on the bottom and side of the control box for incoming power connections.

Drawing not to scale and is provided for reference only. Dimensions may vary with options ordered. Consult IEC website for up to date drawings.

Coil Data

Coil Surface Area

Size	Height (in)	Length (in)
06	15	15
08	15	20
10	15	24
12	15	29
14	15	34
16	15	39
18	15	44
20	15	48

Coil Weight (lbs) (Aluminum fins)

Size	2-Row	3-Row	4-Row	5-Row	6-Row	7-Row	8-Row
06	13	16	19	22	25	27.9	30.9
08	14.9	18.8	22.7	26.6	30.5	34.4	38.3
10	16.3	21	25.6	30.3	34.9	39.6	44.2
12	18.2	23.8	29.3	34.9	40.5	46	51.6
14	20	26.5	33	39.5	46	52.5	59
16	21.9	29.3	36.7	44.1	51.5	58.9	66.3
18	23.7	32.1	40.4	48.7	57	65.4	73.7
20	25.2	34.3	43.3	52.4	61.5	70.5	79.6

NOTES: Weights do not include headers or extras.

Coil Weight (lbs) (Copper fins)

Size	2-Row	3-Row	4-Row	5-Row	6-Row	7-Row	8-Row
06	19	25	31	37	43	48.9	54.9
08	22.9	30.8	38.7	46.6	54.5	62.4	70.3
10	25.9	35.4	44.8	54.3	63.7	73.2	82.6
12	29.8	41.2	52.5	63.9	75.3	86.6	98
14	33.6	46.9	60.2	73.5	86.8	100.1	113.4
16	37.5	52.7	67.9	83.1	98.3	113.5	128.8
18	41.3	58.5	75.6	92.7	109.9	127	144.1
20	44.4	63.1	81.8	100.4	119.1	137.8	156.4

NOTES: Weights do not include headers or extras.

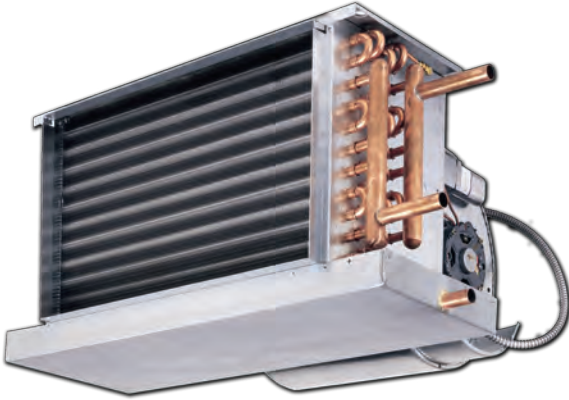
Coil Connections

Size	1 & 2-Row	3-Row	4-Row	5-Row	6-Row*	8-Row
600	5/8	5/8	7/8	7/8	7/8	1-1/8
800	5/8	5/8	7/8	7/8	7/8	1-1/8
1000	5/8	7/8	7/8	7/8	7/8	1-1/8
1200	5/8	7/8	7/8	7/8	7/8	1-1/8
1400	5/8	7/8	7/8	1-1/8	1-1/8	1-5/8
1600	5/8	7/8	1-1/8	1-1/8	1-1/8	1-5/8
1800	5/8	7/8	1-1/8	1-1/8	1-1/8	1-5/8
2000	5/8	7/8	1-1/8	1-1/8	1-1/8	1-5/8

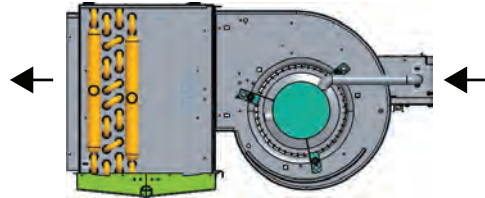
NOTES: * VEY has maximum of 6 rows.
Dimensions are tube O.D (in)

Air Flow Arrangements

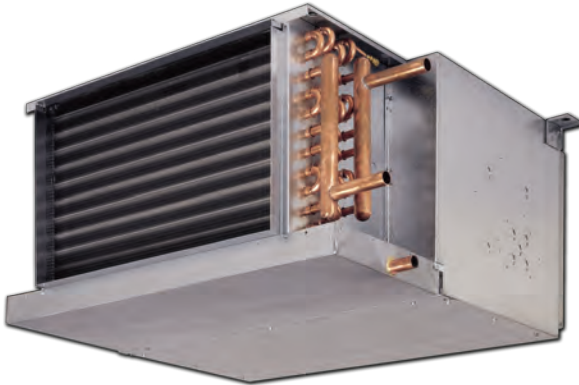
HHY – Hi-Performance Hideaway



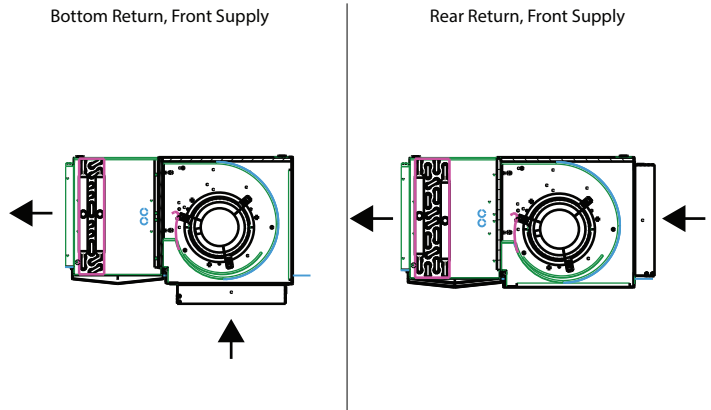
SIDE VIEW
Rear Return, Front Supply



HPY – Hi-Performance Hideaway with Plenum



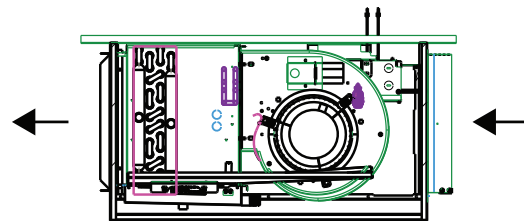
SIDE VIEW
Bottom Return, Front Supply Rear Return, Front Supply



HXY – Hi-Performance Cased



SIDE VIEW
Rear Return, Front Supply



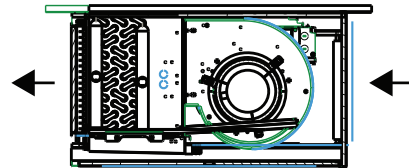
Air Flow Arrangements, Cont'd.

HLY – Hi-Performance Cabinet



SIDE VIEW

Rear Return, Front Supply



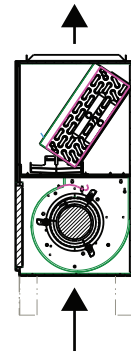
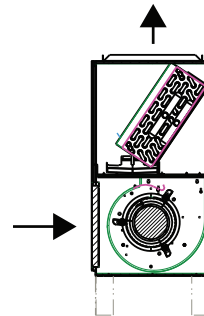
VEY – Hi-Performance Vertical Cased



SIDE VIEW

Front Return, Top Supply

Bottom Return, Top Supply



Standard Features and Options

Features and Options	Standard	Factory	Field Installed	Factory Special
Air Flow Arrangement				
Front Supply/Rear Return (HHY, HXY, HLY)	X			
Front Supply/Rear or Bottom Return (HPY)	X (Bottom)	X (Rear)		
Top Supply-Front/Bottom Return (VEY)	X (Front)	X (Bottom)		
Coil Options				
4-Rows 2-Pipe	X			
3- or 6-Rows 2-Pipe		X		
4/1, 4/2, 6/1 or 6/2-Rows 4-Pipe CW/HW (HHY, HXY, HLY, HPY)		X		
4/1, 4/2-Rows 4-Pipe only on VEY		X		
0.025" tube thickness				X
Manual Air Vent	X			
Automatic Air Vent		X		
DX Cooling Coils		X		
Copper Coil Fins (3, 4, 5, 6, 7, 8)		X		
Coil Test Pressure 350	X			
Coil Test Pressure 400, 450		X		
Epoxy Coating		X		
Direct Expansion (DX) - 2-Pipe Systems Only		X		
Anti-Corrosive Epoxy Coating		X		
Connection				
Right or Left (Same End)	X			
Drain				
Stainless Steel Externally Coated	X			
Extended Drain Pan (Stainless Steel)		X		
Drip Lip			X	
Secondary Drain Connection		X		
Fin Material				
Aluminum w/Galvanized End Sheets	X			
Aluminum w/Stainless Steel End Sheets & Bottom Coil Baffle		X		
Copper w/Stainless Steel End Sheets & Bottom Coil Baffle		X		
Nichrome Wire Strip Electric Heater (Total and Auxiliary)		X		
Indoor Air Quality				
1" Throwaway (nonwoven synthetic (HPY, HLY, HXY, VEY))	X			
1" Permanent (washable media) (HPY, HLY, HXY, VEY))		X		
1" Pleated MERV 8 (HPY, HLY, HXY, VEY))		X		
Bipolar Ionizer		X		
Side Filter Access (HPY, rear return, front supply)			X	
Insulation				
1/2" Fiberglass	X			
1/2" Premium Fiberglass (Exposed Edges Sealed)				X
1/2" Foil Face (Exposed Edges Sealed)		X		
1/4" Closed Cell		X		

table continued on next page

Standard Features and Options, Cont'd.

Features and Options	Standard	Factory	Field Installed	Factory Special
Cabinet Construction				
18 gauge Single Wall	X			
6" Mounting Legs - set of 4			X	
Motor Type				
EC Motor w/Quick Connect Plug	X			
Motor Voltage				
120/1/60 3-Speed	X			
208/230/277/1/60 3-Speed (Optional Voltage)		X		
Supply/Return Air Grilles				
Double Deflection, Aluminum Finish Supply Grille (HHY, HPY, HXY, VEY)			X	X
Double Deflection, Integral Supply Grille - Galvanized (HLY)	X			
Hinged Bar-type, Aluminum Finish Return Grille w/Throwaway Filter (HHY, HPY, VEY)			X	X
Paint Options (HLY)				
Arctic White	X			
Polar White, Flat Black, Ermine Gray, Champagne Beige, Toffee Brown		X		
Special Color				X
Controls				
Service Switch with Lockout Tabs		X		
Single Point Power Connection		X		
Incoming Power Fusing		X		
24V Controls	X			
Line Voltage Controls				X
Condensate Float Switch		X		
Three Speed Switch only		X		
Thermostats (Remote Mount)			X	
Custom Controls (DDC)		X		X
Valve Package Options* (* Valve packages are assembled at the factory but field installed.)				
Valve Package Enclosure		X		
Union Connections at the Coil			X	
24" Braided Hoses			X	
Ball Valves			X	
2-Way/3-Way 25 psi Control Valve			X	
2-Way/3-Way 150 psi, Normally Closed, Control Valve			X	
2-Way/3-Way 150 psi, Normally Open, Control Valve			X	
2-Way/3-Way 35 psi Floating Control Valve			X	
2-Way/3-Way 35 psi Proportional Control Valve			X	
Fixed Flow Control 1.0-8.0 GMP			X	
Y-Strainer/Y-Strainer with Blowdown			X	
P-T Ports			X	
Circuit Setter			X	
Balance Valve (Return Line)			X	
Balance Valve (3-Way Bypass)			X	

Standard Features and Options, Cont'd.

Nominal Filter Sizes

All Hi-Performance Series units have nonwoven synthetic throwaway filters furnished as standard equipment. Cleanable filters are optional.

Unit Size	Nominal One-Inch Filter Size – Inches (Millimeters)				
	HH & HP	HX	HL	VE	VE (Bottom Return) ¹
06	14" x 21" (356 x 533)	14" x 14-3/4" (356 x 375)	14" x 14" (356 x 356)	21" x 12-3/4" (533 x 324)	20" x 12-3/4" (508 x 324)
08	14" x 26" (356 x 660)	14" x 19-3/4" (356 x 502)	14" x 20" (356 x 508)	26" x 12-3/4" (660 x 324)	25" x 12-3/4" (635 x 324)
10	14" x 30" (356 x 762)	14" x 23-3/4" (356 x 603)	14" x 24" (356 x 610)	30" x 12-3/4" (762 x 324)	29" x 12-3/4" (737 x 324)
12	14" x 35" (356 x 889)	14" x 28-3/4" (356 x 730)	14" x 28" (356 x 711)	35" x 12-3/4" (889 x 324)	34" x 12-3/4" (864 x 324)
14	14" x 40" (356 x 1016)	14" x 33-3/4" (356 x 857)	14" x 34" (356 x 864)	40" x 12-3/4" (1016 x 324)	39" x 12-3/4" (991 x 324)
16	14" x 45" (356 x 1143)	14" x 38-3/4" (356 x 984)	14" x 38" (356 x 965)	45" x 12-3/4" (1143 x 324)	44" x 12-3/4" (1118 x 324)
18	14" x 50" (356 x 1270)	14" x 43-3/4" (356 x 1111)	14" x 44" (356 x 1118)	50" x 12-3/4" (1270 x 324)	49" x 12-3/4" (1245 x 324)
20	14" x 54" (356 x 1372)	14" x 47-3/4" (356 x 1213)	14" x 48" (356 x 1219)	54" x 12-3/4" (1372 x 324)	53" x 12-3/4" (1346 x 324)

- NOTES: 1. Use when bottom return and 6" legs are supplied.
 2. Filter sizes for the HH model are recommended filter sizes only. No filter is factory provided with this model.
 3. Sizes shown are nominal ordering sizes.
 4. Filter sizes for the HL model are for filter included with standard aluminum filter grille.

Filter Static Resistance (in w.c.)

Unit Data			Filter Pressure Drop		
Model	Unit Size	Nominal CFM	1" Throwaway	1" Permanent	1" Merv 8
H*Y	06	600	0.066	0.145	0.18
	08	800	0.070	0.164	0.19
	10	1000	0.075	0.186	0.21
	12	1200	0.076	0.195	0.21
	14	1400	0.077	0.202	0.22
	16	1600	0.078	0.207	0.23
	18	1800	0.079	0.211	0.23
	20	2000	0.081	0.222	0.24
VEY	06	600	0.074	0.183	0.20
	08	800	0.078	0.203	0.22
	10	1000	0.082	0.230	0.25
	12	1200	0.083	0.239	0.26
	14	1400	0.084	0.246	0.27
	16	1600	0.085	0.251	0.27
	18	1800	0.085	0.255	0.28
	20	2000	0.087	0.267	0.29

Standard Features and Options, Cont'd.

Bipolar Ionizer Specifications

SPECIFICATIONS:

Airflow Capacity: 2,400 CFM

Pressure Drop: Less than 0.01 In. WG

Housing Material: ABS

Weight: 0.2 lbs.

Maximum Operating Temperature: 200° F (93°C)

Electrical:

Voltage: 24V AC (602)

Power Consumption: Less than 1 watt

Frequency: 50/60 hertz

Over Current Protection:.. 500mA Glass Cartridge Fuse

Lead Wires 50"(L)

Ionization Output:

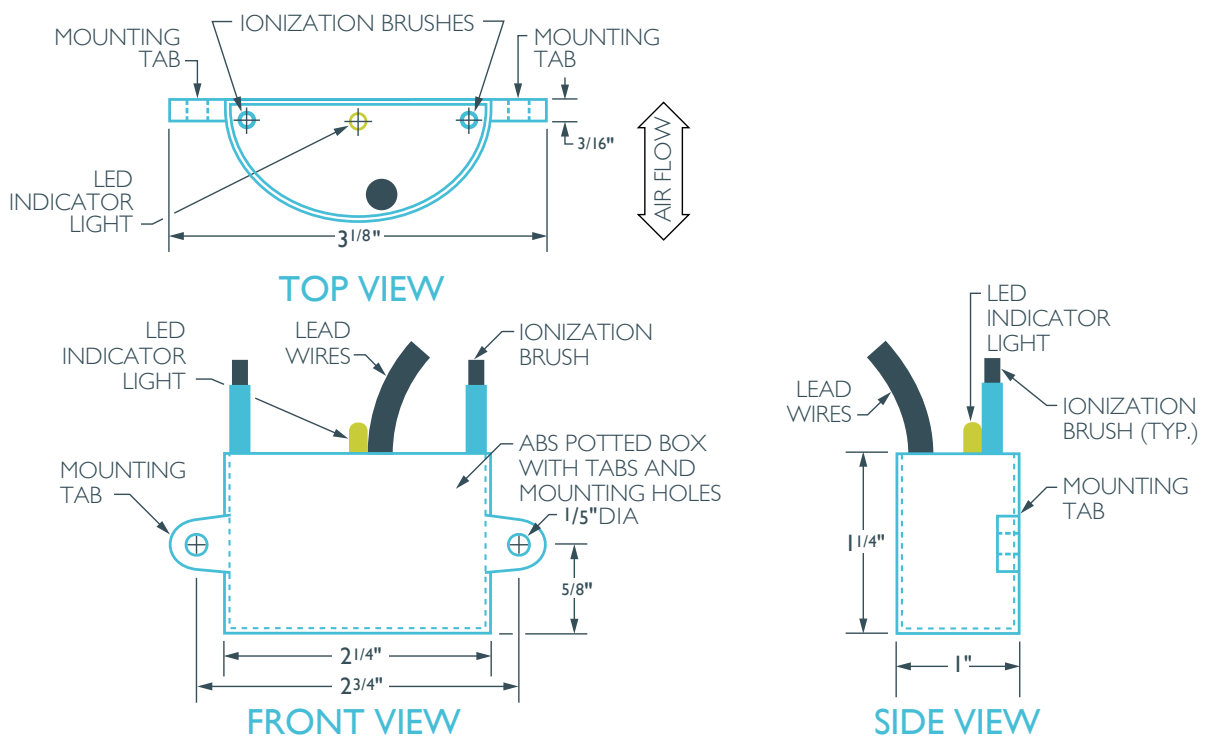
Mode of Operation Needlepoint Type

Needle Configuration: Brush Type

DIMENSIONS: See Figure 1

APPROVALS: Intertek/ETL Standard UL 867

Figure 1. Dimensions not to scale.



Standard Features and Options, Cont'd.

Control Packages

Controls

As detailed in the table below and on page 36, we offer control packages that fit most customer needs. Additional controls and devices are available to meet even the most demanding operating logic.

Low Voltage Control (24V)

The 85 Control Board (see page 39) offers simplified install and service with its plug-in connections and QR code for quick wiring diagram reference. It also offers LED diagnostics and built-in design flexibility for added features such as staged cooling or BAS signal input. The 85 Control board is available with most control schemes.

85 Control Board Standard Features

- Simplified plug connections
- PSC or ECM control
- LED diagnostics (See IOM-100 for detailed LED function and outcome)
- QR code to wire diagram for ease of troubleshooting
- Conduit compatible for remote mounted control boxes
- Compatibility with all actuator types
- Removable thermostat connector

85 Control Board Options

- ECM fan speed adjustment
- Staged Cooling: compatible with IEC Venture Wi-Fi Thermostat (E055 - 1520330)
- BAS signal input to interrupt fan and actuators
- Fusing and service switch with electric heat
- Changeover or aquastat sensor
- Condensate switch LED indication
- Damper control

Condensate Float Switch

This switch shuts down the motor, actuator and electric heat (if applicable) when the water level in the drain pan reaches an unsafe level.

Service Switches

We offer concealed service switches for use by maintenance and service personnel to shut off the power while working on the unit.

Fusing

We offer incoming power fusing for all units as well as blower motor and control sub-fusing (single power source wiring).

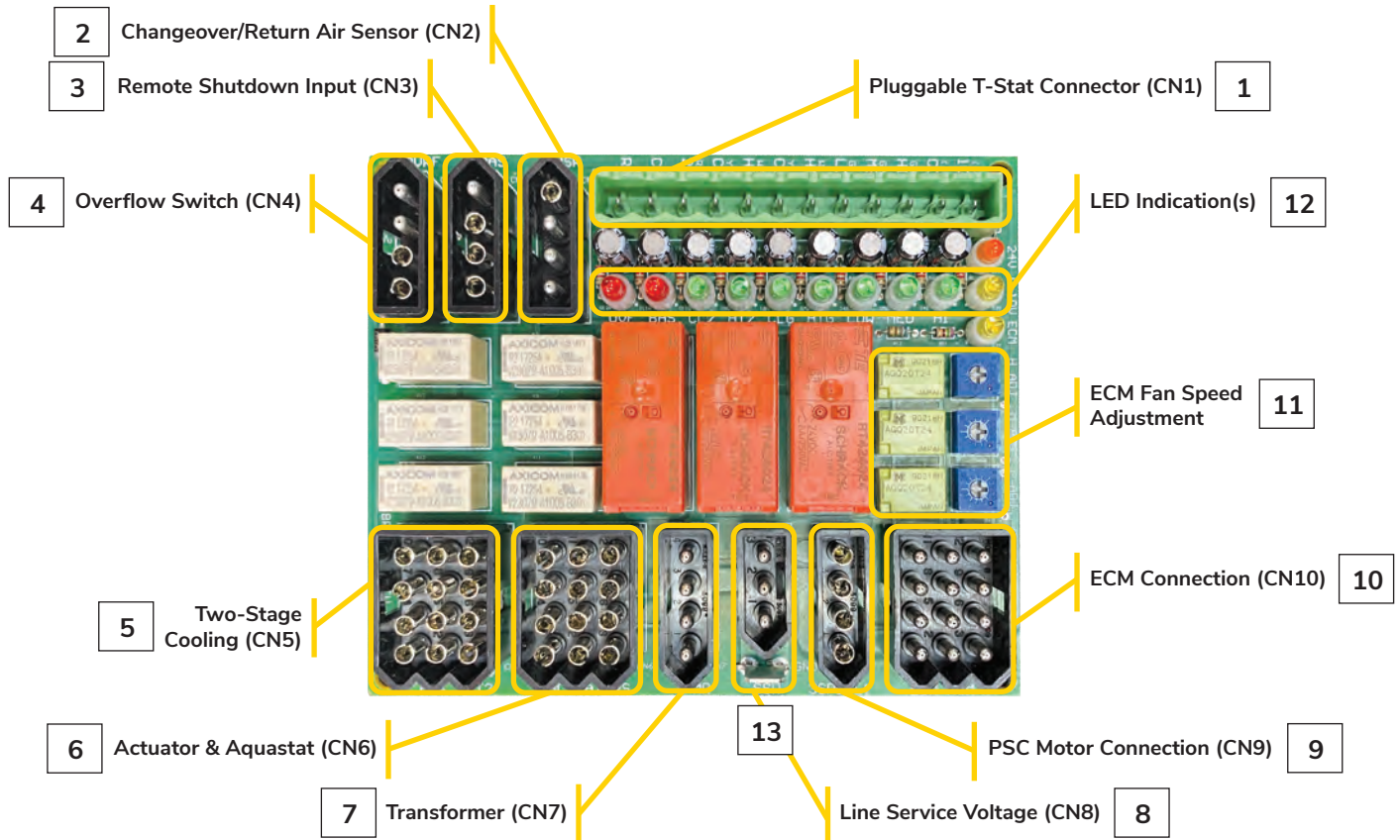
Other Control Options

- Unit mounted 3-speed switch (thermostat by others)
- 4-Speed silent switching board with potentiometers
- Low voltage remote shutdown relays (Special Quote)
- Fan and valve cycle applications (Special Quote)
- Thermostats available with large letter print for handicap applications (Special Quote)

Standard Features and Options, Cont'd.

Controls Options

85 Control Board



1	CN1 – 24V Customer Input (Thermostat)
2	CN2 – Changeover/Return Air Sensor
3	CN3 – Remote Shutdown Input
4	CN4 – Condensate Overflow Switch
5	CN5 –Two Stage Cooling
6	CN6 – Actuator & Aquastat
7	CN7 – Transformer
8	CN8 – Line Service Voltage
9	CN9 – PSC Motor Connection
10	CN10 – ECM Connection
11	ECM Fan Speed Adjustment
12	LED Diagnostics
13	Ground Connection

Standard Features and Options, Cont'd.

Thermostat Control Package Applications

Unit Type	Control Option	System Type	Changeover Type	W	P	N	F	G	
-	Manual Fan	Manual ¹	None	-	-	-	-	-	
2-Pipe	Valve Cycle*	Heat Only	None	•	•	•	•	•	
		Cool Only	None	•	•	•	•	•	
		Heat/Cool	Manual	-	-	-	-	-	-
			Automatic	•	•	•	•	•	•
		Heat/Cool with Auxiliary Electric Heat	Manual	-	-	-	-	-	-
			Automatic	•	•	•	•	•	•
Cool with Total Electric Heat	Manual	-	-	-	-	-	-		
	Automatic	•	•	•	•	•	•		
4-Pipe	Heat/Cool	Manual	-	-	-	-	-		
		Automatic	•	•	•	•	•		

NOTES: 1. Fan switch only; no thermostat

Thermostat Features

All listed controls include fan switching.	Control Type ¹				
	W	P	N	F	G
24V, 115V, 208V, 240V, 277V	24V only	24V only	24V only	24V only	24V only
Wi-Fi Enabled	•	-	-	-	-
Mobile and Web App for Remote Control	•	-	-	-	-
Staged Cooling	•	-	-	-	-
Programmable	•	•	-	•	-
Remote Wall Mounted	•	•	•	•	•
Manual Fan Switch Operation	•	•	•	•	•
Auto Fan Speed Control	•	•	•	•	•
Continuous 3-Speed Fan	•	•	•	•	•
Cycling Fan	•	•	•	•	•
O.A Damper Signal	•	•	•	•	•
Remote Temperature Sensor	Opt	Opt	Opt	Opt	Opt
Digital Display & Buttons	•	•	•	•	•
Local Temperature Set-Back	•	•	•	•	•
Water Temperature Purge Cycle	•	•	•	•	•
Proportional Control Valves	-	-	-	•	•
Floating Control Valves	-	-	-	•	•
Pipe Sensor	•	•	•	•	•

NOTES: 1. Control packages with valve cycle control are continuous fan operation only.
 2. All wall-mount control packages are shipped loose for field installation. (Boxes, tile rings, plaster rings, etc. are not provided).
 3. Aquastats are included in control packages, as required.

*LEGEND: P • Basic 24 V Digital, 7-Day Programmable
 N • Basic 24 V Digital, Non-Programmable
 F • Premium 24 V Digital, 7-Day Programmable/BACnet with Proportional Fan/Valves Option
 G • Premium 24 V Digital BACnet with Proportional Fan/Valves Option
 W • Venture 24 V Wi-Fi Programmable

Standard Features and Options, Cont'd.



Venture 24V,
Wi-Fi Programmable



Basic 24V Digital
7-Day Programmable and
Non-Programmable Series



Premium 24V Digital
7-Day Programmable/BACnet

Standard Features and Options, Cont'd.

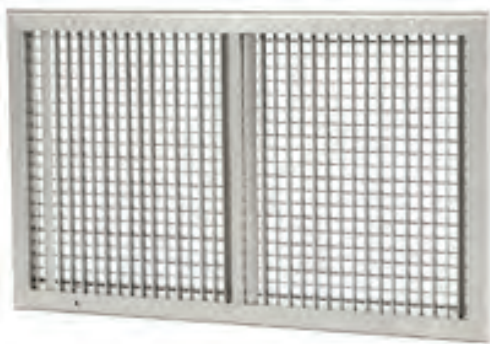
Supply Air Grilles

Unit Size	Nominal CFM	Nominal One-Inch Filter Size		
		HH & HP	HX	VE
06	600	14" x 14" (356 x 356)	15" x 14" (381 x 356)	15" x 15" (381 x 381)
08	800	19" x 14" (483 x 356)	20" x 14" (508 x 356)	20" x 15" (508 x 381)
10	1000	23" x 14" (584 x 356)	24" x 14" (610 x 356)	24" x 15" (610 x 381)
12	1200	28" x 14" (711 x 356)	29" x 14" (737 x 356)	29" x 15" (737 x 381)
14	1400	33" x 14" (838 x 356)	34" x 14" (864 x 356)	34" x 15" (864 x 381)
16	1600	38" x 14" (965 x 356)	39" x 14" (991 x 356)	39" x 15" (991 x 381)
18	1800	43" x 14" (1092 x 356)	44" x 14" (1118 x 356)	44" x 15" (1118 x 381)
20	2000	47" x 14" (1194 x 356)	48" x 14" (1219 x 356)	48" x 15" (1219 x 381)

Return Air Filter Grilles

Unit Size	Nominal CFM	Nominal One-Inch Filter Size		
		HH & HP	HX	VE
06	600	21" x 14" (533 x 356)	15" x 14" (381 x 356)	20" x 15" (508 x 381)
08	800	26" x 14" (660 x 356)	20" x 14" (508 x 356)	25" x 15" (635 x 381)
10	1000	30" x 14" (762 x 356)	24" x 14" (610 x 356)	29" x 15" (737 x 381)
12	1200	35" x 14" (889 x 356)	29" x 14" (737 x 356)	34" x 15" (864 x 381)
14	1400	40" x 14" (1016 x 356)	34" x 14" (864 x 356)	39" x 15" (991 x 381)
16	1600	45" x 14" (1143 x 356)	39" x 14" (991 x 356)	44" x 15" (1118 x 381)
18	1800	50" x 14" (1270 x 356)	44" x 14" (1118 x 356)	49" x 15" (1245 x 381)
20	2000	54" x 14" (1372 x 356)	48" x 14" (1219 x 356)	53" x 15" (1346 x 381)

NOTES: 1. Refer to Physical Data for actual unit return air opening dimensions.
 2. Field-furnished duct transitions may be required.



Double-deflection, Aluminum-finish Supply Grille (Optional special shipped separate for models HHY, HPY, HXY, and VEY. Consult factory for details.)



Hinged Bar Type, Aluminum-finish Return Grille with Throwaway Filter (Standard offering for model HLY. Optional special shipped separate for models HHY, HPY, and HXY. Consult factory for details.)

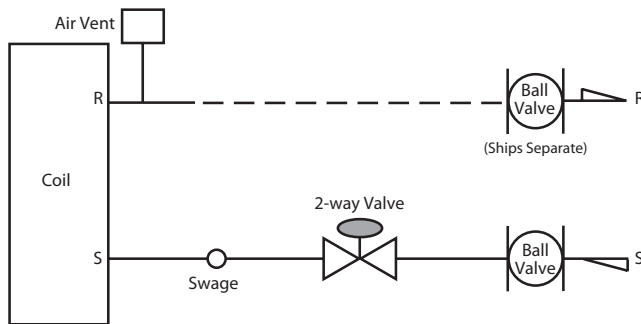


Double-deflection, Integral Supply Grille Painted to Match Color of Unit (Standard offering for model HLY.)

Piping Packages (Typical)

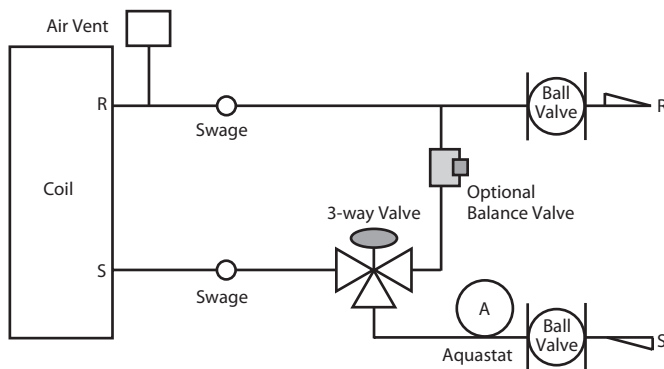
Two-way Motorized Control Valve

In a two-way motorized control valve package, the motor drives the valve open, and a spring returns the valve to a normally closed position. No water flows with the unit off. The standard supply connection from the coil will accept a swaged copper fitting for field brazing. As an option, this connection may be factory furnished with a union. When a swage is necessary, it becomes part of the valve package. The isolation, or ball, valve in the return piping is shipped loose for field installation.



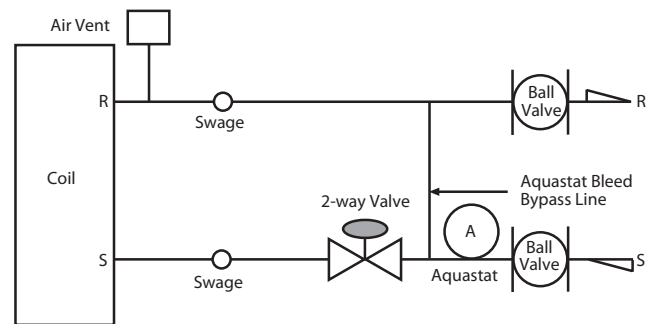
Three-way Motorized Control Valve

In a three-way motorized control valve package, a diverting valve controls water flow to the coil. When the unit is off, water bypasses the coil and flows directly to the system return. A balancing valve may be specified in the bypass line to permit equal flow balancing.



Two-way Motorized Control Valve with Aquastat Bypass Line

In a two-way motorized control valve package, the motor drives the valve open, and a spring returns the valve to a normally closed position. No water flows through the coil with the unit off. The aquastat bypass line allows a small amount of water to flow from the supply to the return piping when the control valve is closed. The strap-on aquastat senses whether the flowing water is being chilled or heated and switches a contact closed to provide automatic summer/winter changeover (ACO) for the system. When a two-pipe cooling/heating system with optional auxiliary electric heat is desired, an additional aquastat is required.



- NOTES:**
1. Please note that project specifications for system pressure, pressure drop limitations and flow rate should be checked prior to selecting specific components or the valve package size.
 2. The supply and return piping connections of the factory-provided valve package are either swaged for field brazing (standard) or union fitted (optional) for field connection to the coil.
 3. Consult IEC's Valve Packages and Piping Components manual or your local representative for detailed piping and valve application information. Factory-provided valve packages are assembled, brazed, wired electrically and dry-fit to the coil connections before shipping. Field brazing to the coil completes the installation. Some applications dictate shipping isolation valves loose.

Hi-Performance Series

FAN COIL TECHNICAL CATALOG



Contact your local IEC Sales Representative for further details and pricing applicable to this product. Visit our website (iec-okc.com) to find your local IEC Sales Rep.

IEC Part Number: I100-90002104
CA-040 Revision 15 (03/2023)

©2000-2023 International Environmental Corporation (IEC)



5000 W. I-40 Service Rd.
Oklahoma City, OK 73128
P: 405.605.5000
F: 405.605.5001
www.iec-okc.com