

The most accepted and respected engine-driven cooler in the gas compression industry.

Model EH

Model EH Specifications

- Fan diameters from 24" to 168".
- Engine drive and electric motor drive configurations.
- Typical compression HP: 100-2,000.

Model EH Advantages

- This compact, unitized cooler combines engine and compressor cooling in a single unit.
- The unique sloped section arrangement provides greater cooling capacity within a given plot area and reduces packaging costs by minimizing the cooler footprint.
- Forced-draft design moves cool air through the unit – resulting in lower fan horsepower requirements and higher efficiency.
- Plenum design, adjustable shutters and/or fixed turning vanes are integral to the design and help guide airflow through the cooler, improving exit air velocity and reducing air recirculation.
- Vertical discharge minimizes the effects of wind variation and location of adjacent equipment.
- Rotating components are located in the cool air stream of the cooler promoting longer life, ease of visual inspection and safer maintenance.
- Optional Model EH Integrated Shipping design to reduce shipping height and transport costs.



144-EH



Optional EH Integrated Shipping design allows "face-down" transport



Optional bug screen / lint screen



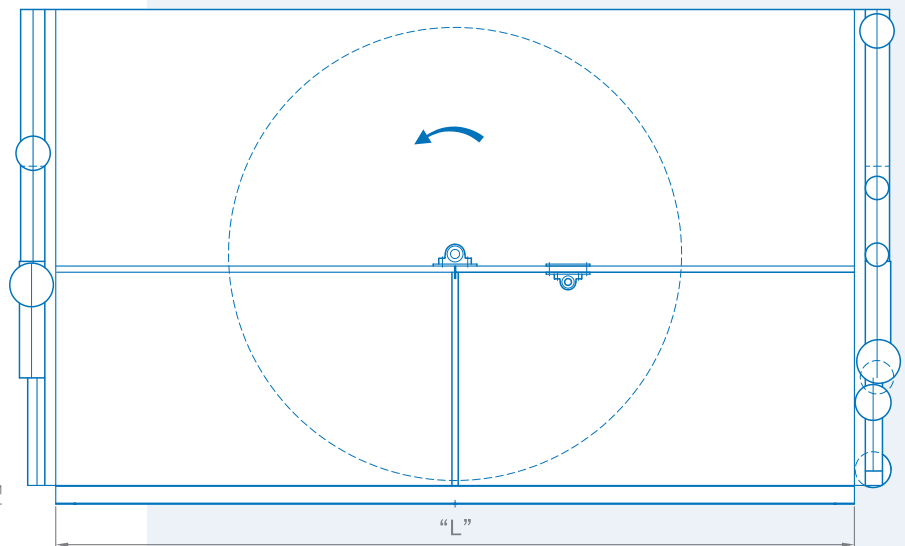
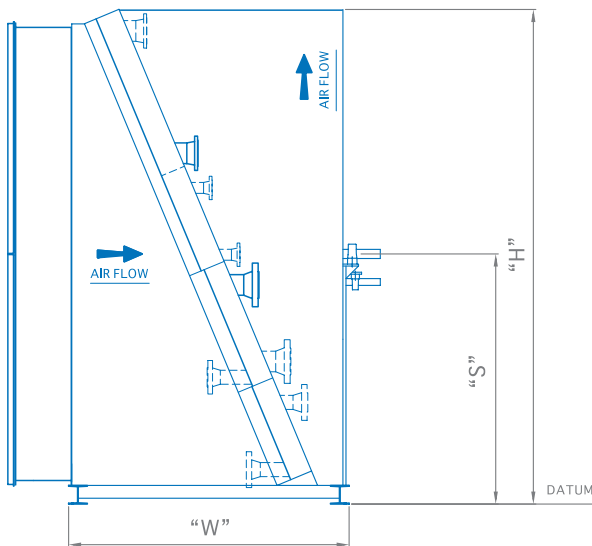
Optional warm air recirculation system



A Chart Industries Company

Insight onsite.™

Model EH



Optional Features

- Cooler finish per customer specifications, including tint-to-match paint and galvanizing.
- Auxiliary louvers (manual or automated) upstream of the cooling sections for additional cold-weather protection.
- Automated louver control, typically using pneumatic actuators.
- Warm air recirculation systems to better control process outlet temperature in cold-weather climates.
- Hailguard over air discharge duct to protect cooling sections.
 - *Light Duty*
 - *Heavy Duty / Walk-On*
 - *No Profile / Flush Mounted: protection that doesn't add to the height of the cooler.*
- Low noise emission fans.
- Bug screens / lint screens over air intake to prevent fouling.
- Internal or external maintenance walkway or platform.
- Model EH Integrated Shipping design to reduce shipping height and transport costs.
- Integrated tool box and battery / maintenance storage.

Model EH				
Fan Diameter	L	W	H	S
24	28	33	32	16
32	40	36	41	20
36	52	39	46	23
42	52	44	59	32
48	64	47	66	36
54	64	54	84	44
60	64-88	52-64	80-103	37-55
72	88	58-64	93-104	46-55
81	88-100	64-69	104-115	55
84	100-112	69	115	55
93	124-136	69	115	55
96	136-160	69-76	115-133	55-66
108	160-184	73-84	122-147	62
120	184-208	80-88	136-158	69
132	208-232	84-93	147-169	74
144	232-280	90-96	158-178	80
156	256-304	94-100	172-186	87
168	256-328	108-113	186-197	93

L = Base beam length. W = Base beam width. H = Height. S = Grade to c/l shaft.
Dimensions shown in inches. For estimation only; dimensions may vary.



Air-X-Changers
Hammco

5615 South 129th East Avenue | Tulsa, OK 74134 USA
918-619-8000 USA | FAX 918-384-5000 USA | www.airx.com

Insight onsite.™



The original horizontal coil, multiple vertical fan cooler: the ideal solution in high-horsepower, engine-drive applications.

Model F

Model F Specifications

- Fan diameters from 48" to 144".
- Typical compression HP: 250-4,500.

Model F Advantages

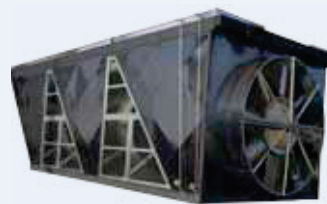
- Engine, compressor, and multiple-stage gas cooling all in a single cooler, reducing shipping and installation costs.
- Forced-draft design moves cool air through the unit – resulting in lower fan horsepower requirements and higher efficiency.
- Rating procedures provide nozzle arrangements that facilitate installation and reduce piping costs.
- Vertical discharge cooler features an individual plenum chamber for each fan, ensuring reliable operation.
- Rotating components are located in the cool air stream of the cooler promoting longer life, ease of visual inspection and safer maintenance.



132-3F with optional bug screens / lint screens and ground-level manually operated main louvers



Optional hailguard



132-3F with manually operated louvers and bug / lint screens



132-2F with optional external walkway



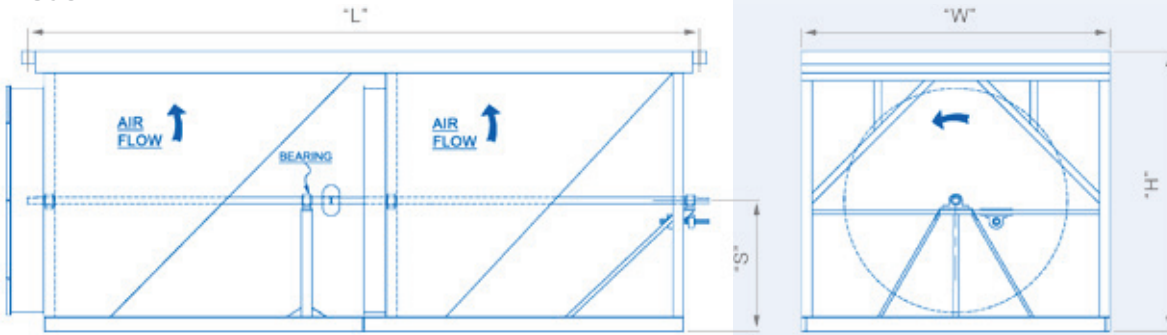
A Chart Industries Company

Insight onsite.™

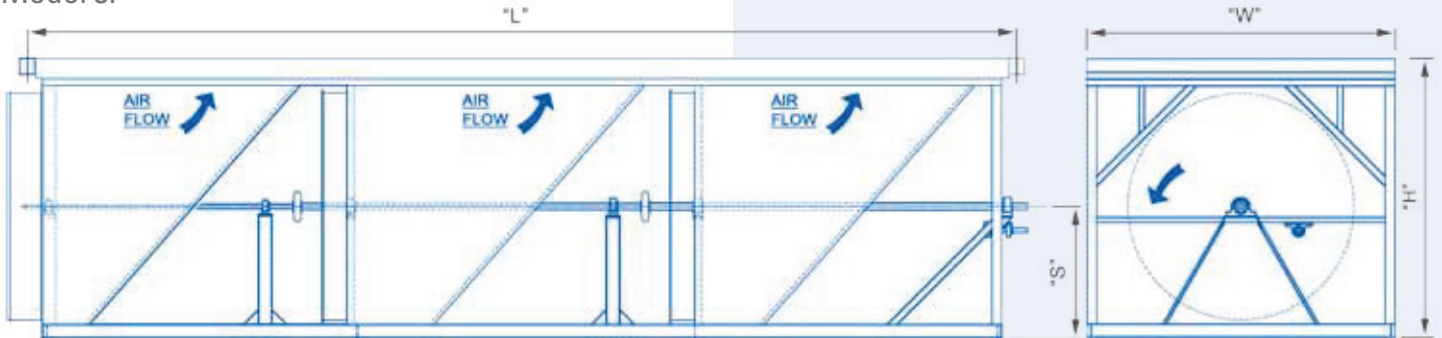
Model F



Model 2F



Model 3F



Optional Features

- Cooler finish per customer specifications, including tint-to-match paint and galvanizing.
- Louvers (manual or automated) downstream of the cooling sections to control air flow for temperature control.
- Auxiliary louvers (manual or automated) located upstream of the cooling sections to provide additional protection in cold weather climates.
- Hailguard over cooling sections, independent or integral with shutters, to protect cooling sections.
- Low noise emission fans.
- Bug screens / lint screens over air intake to minimize external fouling of cooling sections.
- External maintenance walkway or platform.

Model 2F				
Fan Diameter	L	W	H	S
54	99	96	87	38
72	147-171	108-132	114	51
81	171-195	132-144	114	51
84	195	144	114	51
96	243	144	126	57
108	267-291	156-168	138	63
120	291-363	156-192	152	71
132	339-411	168-192	164	77
144	387-483	168-204	176	83

Model 3F _{Fan}				
S	L	W	H	H
72	219-267	108-132	114	51
81	267-291	132-144	114	51
84	267	144	114	51
96	363	144	126	57
108	411-435	156-168	138	63
120	435-531	156-192	152	71
132	531-603	168-192	164	77
144	579-723	168-204	176	83

L = Length. W = Width. H = Height. S = Grade to c/l shaft.
Dimensions shown in inches. For estimation only; dimensions may vary.



Air-X-Changers
Hammco

A skid-mounted, horizontal cooler used in a variety of applications: gas compression, lube oil cooling, process cooling and more.

Model H Specifications

- Fan diameters from 24" to 144".
- Single- and multi-fan configurations.
- Forced or induced draft.
- Electric motor or hydraulic drive configuration.
- Typical compression HP: 2,000.

Model H Advantages

- Structural strength.
- Skid-mounted for a variety of site conditions.
- Adaptable to a variety of fan drive types.
- Drives can be mounted to the internal substructure for a lower profile.
- Convenient accessibility to all components: fan, drive and bearings.

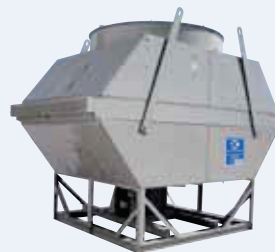
Model H



84-H



Plenum-mounted electric drive on Model HR (standard)



Optional warm air recirculation system



84-H with optional manually operated main louvers and additional heating coil



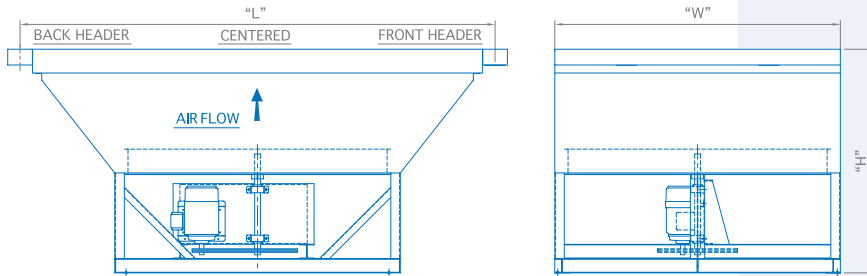
A Chart Industries Company

Insight onsite.™

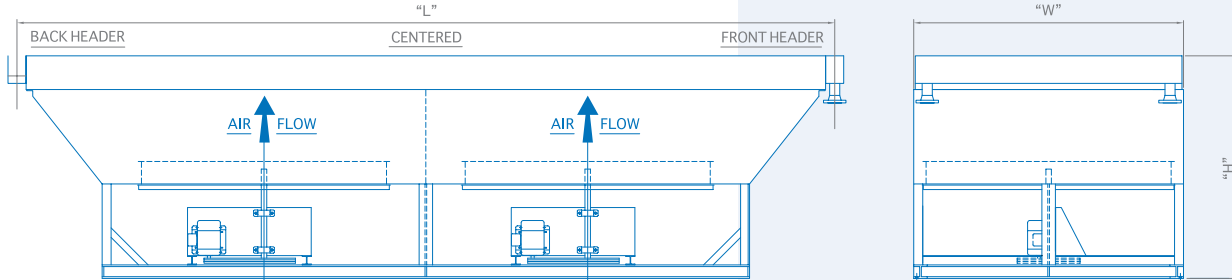
Model H



Model H



Model 2H



Optional Features

- Cooler finish per customer specifications, including tint-to-match paint and galvanizing.
- Multi-speed drives or auto variable fans can provide superior degree of temperature control.
- Louvers (manual or automated) downstream of the cooling sections to control air flow for temperature control.
- Auxiliary louvers (manual or automated) located upstream of the cooling sections to provide additional protection in cold weather climates.
- Warm air recirculation systems available over the end or side of the unit to better control process outlet temperature in cold weather climates.
- Hailguard over cooling sections, independent or integral with shutters, to protect cooling sections.
- Low noise emission fans.
- Bug screens / lint screens over air intake to minimize external fouling of cooling sections.

Model H			
Fan Diameter	L	W	H
24	39	27	66
32	51	35	66
36	63	40	66
42	75	46	66
48	99	54	66
54	99	61	66
60	123	66	78
72	147	78	82
84	123-147	96	82
93	171-195	99	82
96	171-195	108	94
108	183-195	120-132	94
120	195-219	132-144	94
132	219-243	144	103
144	267	156	103

Model 2H			
Fan Diameter	L	W	H
24	75	27	66
32	99	35	66
36	99	52	66
42	123	58	66
48	147	64	66
54	147	81	66
60	147-171	96	78
72	147-243	96	82
84	291	96	82
93	363	99	94
96	291	120-132	94
108	363	120	94
120	363	132-144	103
132	363	156	103
144	483	168	105

L = Length. W = Width. H = Height.

Dimensions shown in inches. For estimation only; dimensions may vary.



Air-X-Changers
Hammco

Vertical discharge, induced-draft,
engine- or electric motor-driven cooler.

Model VI

Model VI Specifications

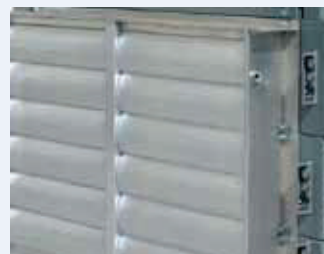
- Fan diameters from 36" to 168".
- Engine-drive and electric motor-drive configurations.
- Typical compression HP: 100-600.

Model VI Advantages

- Sections are easily accessible in applications requiring frequent section change-out.
- Core guards protect cooling sections when louvers are not desired.
- Combines engine and compressor cooling service in a single structure.



54-VI with standard core guard and optional automated main louvers



Optional automated main louver



Cooling section core guard (standard)



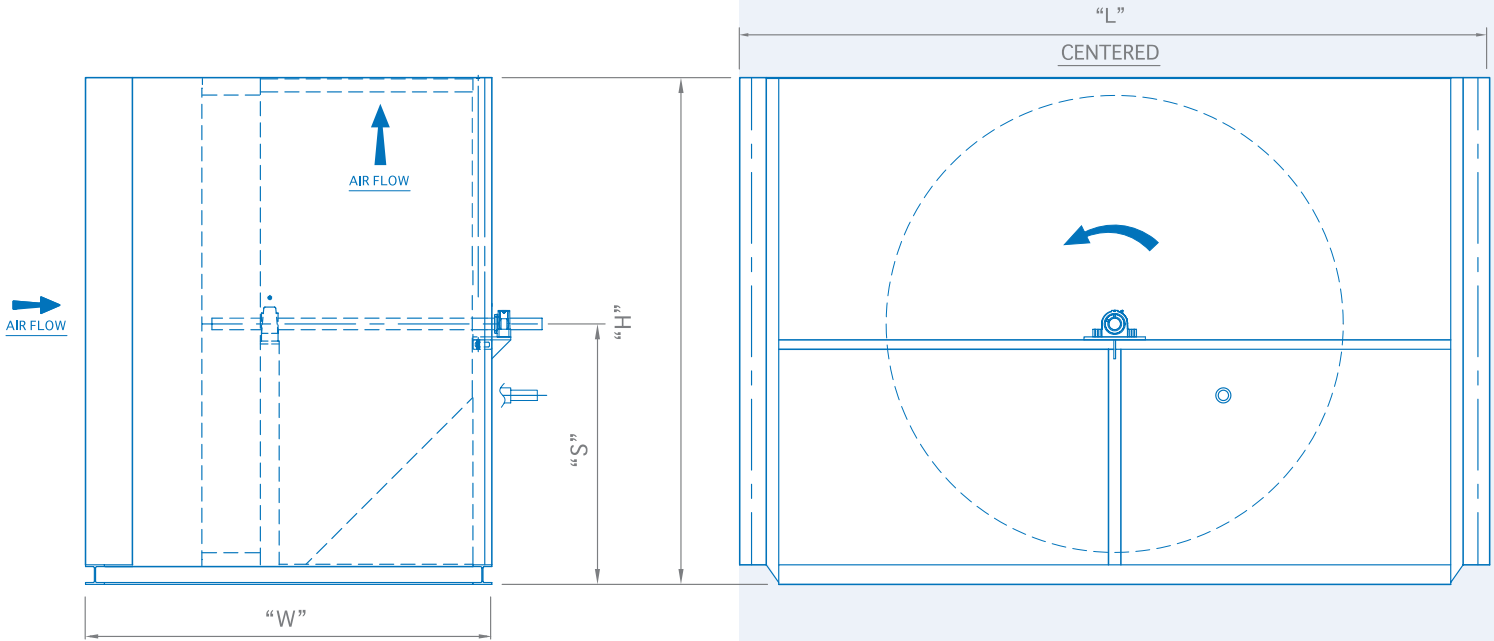
Optional electric drive



A Chart Industries Company

Insight onsite.™

Model VI



Optional Features

- Cooler finish per customer specifications, including tint-to-match paint and galvanizing.
- Louvers (manual or automated) upstream of the cooling sections to control air flow for temperature control.
- Automated louver control operated typically with pneumatic actuators.
- Hailguard over air discharge duct.
- Low noise emission fans.
- Bug screens / lint screens over air intake to minimize external fouling of cooling sections.

Model VI				
Fan Diameter	L	W	H	S
36	52	54	43	23
42	52	58	56	30
48	64	60	64	34
54	64	68	82	43
60	64-88	70	77-103	40-53
72	88	78	91-103	47-53
81	88-100	82-90	103-114	53-59
84	100-112	82-94	106-121	53-62
93	136	82-94	107-115	55-59
96	142-160	86-96	107-133	55-70
108	160-184	104	121-133	64-68

L = Base beam length. W = Base beam width. H = Height. S = Grade to c/l shaft.
Dimensions shown in inches. For estimation only; dimensions may vary.

- Fan diameters available up to 168" on request.



Air-X-Changers
Hammco

The cost-efficient solution for low-horsepower gas, water and lube oil cooling.

Model VV

Model VV Specifications

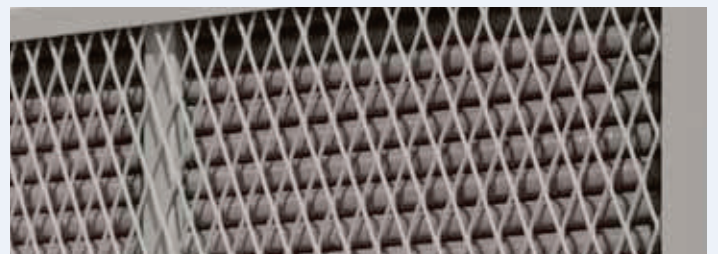
- Fan diameters from 18" to 60".
- Engine-drive and electric motor-drive configurations.
- Typical compression HP: 50-250.

Model VV Advantages

- Horizontal air flow may be either forced- or induced-draft to meet individual installation requirements.
- Easily adaptable to a variety of drive types.
- Designed to be compact and portable.
- Core guards protect cooling sections when louvers are not required.



48-VV with standard core guard and optional manually operated main louvers



Cooling section core guard (standard)



Optional louvers on gas section



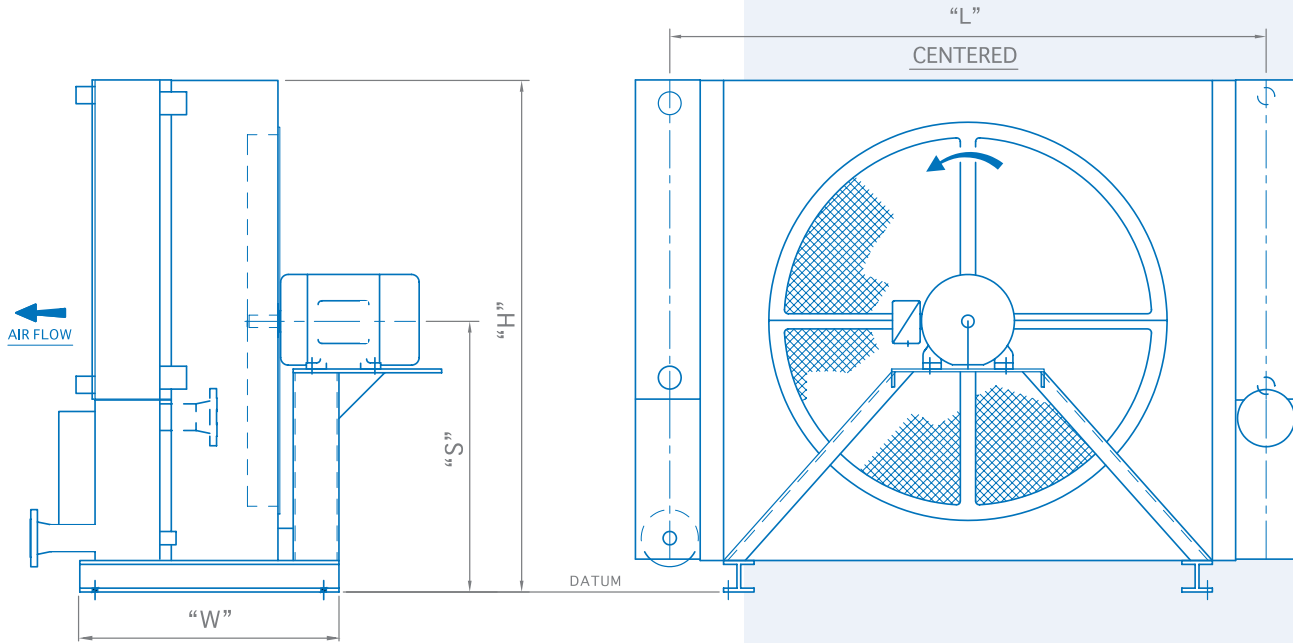
Optional electric drive



A Chart Industries Company

Insight onsite.™

Model VV



Optional Features

- Cooler finish per customer specifications, including tint-to-match paint and galvanizing.
- Louvers (manual or automated) to control air flow for temperature control.
- Bug screens / lint screens over air intake to minimize external fouling of cooling sections.

Model VV				
Fan Diameter	L	W	H	S
18	27	20	25	14
24	39	27	31	17
30	51	27	38	21
32	51	30	43	23
36	63	30	43	23
42	75	34	50	27
48	75	34	67	35
54	75	42	82	43
60	87	42	82	43

L = Length. W = Base beam width. H = Height. S = Grade to c/l shaft.
 Dimensions shown in inches. For estimation only; dimensions may vary.



Air-X-Changers
 Hammco

5615 South 129th East Avenue | Tulsa, OK 74134 USA
 918-619-8000 USA | FAX 918-384-5000 USA | www.airx.com

Insight onsite.™

A bolt-together horizontal cooler designed for high-horsepower applications.

Model Z

Model Z Specifications

- Fan diameters from 48" to 204".
- Electric motor or hydraulic-drive configurations.
- Single- and multi-fan.
- Forced or induced draft.
- Typical compression HP: 500-10,000.



Model Z Advantages

- Increased intake area for more flexible siting.
- Suitable for installation on subcolumns or skids.
- Unique design fits most typical pipe-rack mounts.
- Bolt-together design allows for optional field assembly.
- Design allows increased fan deck clearance for easier drive maintenance.
- **New Stice Drive – standard:** Advanced drive system for improved cooler performance and reduced fan and drive component wear. *Exclusive to Chart's Air-X-Changers!*

*180-3Z with advanced Stice Drives
(Optional subcolumns not shown)*



Optional over-the-end warm air recirculation system



Optional automated louvers



Optional low noise emission fan



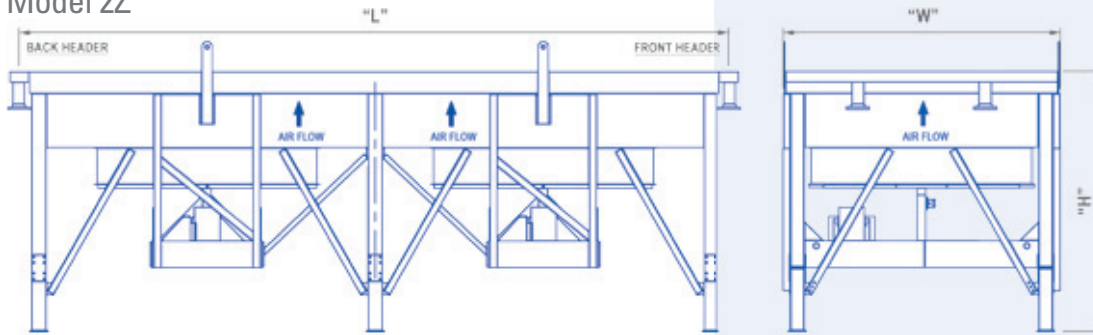
A Chart Industries Company

Insight onsite.™

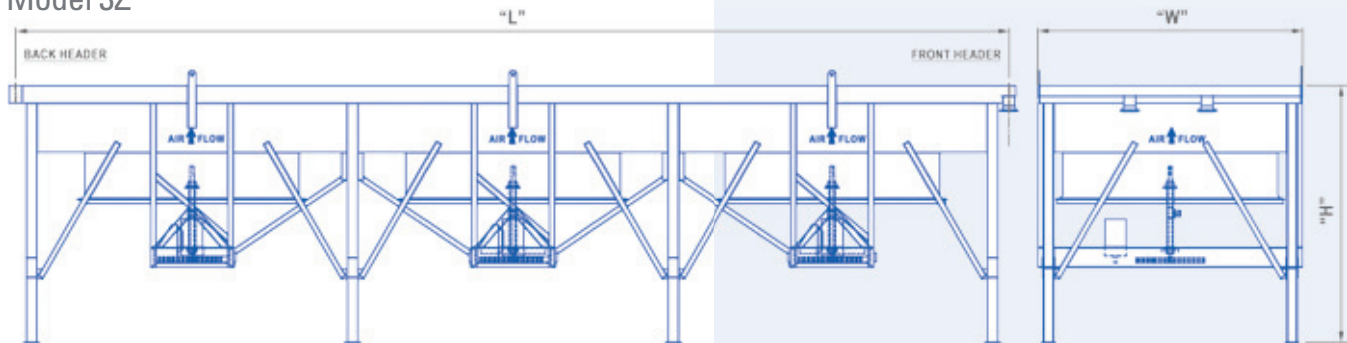
Model Z



Model 2Z



Model 3Z



Optional Features

- Cooler finish per customer specifications, including tint-to-match paint and galvanizing.
- Multi-speed drives or auto-variable fans can provide superior degree of temperature control.
- Column extensions available to accommodate any headroom clearance.
- Framed drive-mount system, allowing side-access for easier electric motor maintenance and improved structural integrity.
- Louvers (manual or automated) downstream of the cooling sections to control air flow for temperature control.
- Auxiliary louvers (manual or automated) located upstream of the cooling sections to provide additional protection in cold weather climates.
- Warm air recirculation systems available over the end or side of the unit to better control process outlet temperature in cold weather climates.
- Hailguard over cooling section coils, independent or integral with shutters, to protect cooling sections.
- Low noise emission fans.
- Bug screens / lint screens over air intake to minimize external fouling of cooling sections.

Model 2Z			
Fan Diameter	L	W	H
60	160-196	72-96	129
72	184-244	84-108	129
84	219-315	96-132	129
96	268-316	108-132	129
108	316-364	120-144	129
120	364-412	132-156	129
132	388-460	144-168	129
144	436-508	156-180	129
156	484-556	168-192	129
168	532-604	180-204	129
180	580-652	192-216	129
192	628-700	204-228	129
204	676-724	216-240	129

Model 3Z			
Fan Diameter	L	W	H
72	276-364	84-108	129
84	340-436	96-120	129
96	412-484	108-132	129
108	460-556	120-144	129
120	532-628	132-156	129
132	604-700	144-168	129
144	676-724	156-180	129
156	724	168-192	129
168	724	180-204	129
180	724	192-216	129
192	724	204-228	129
204	724	216-240	129

L = Length. W = Width. H = Height.
 Dimensions shown in inches. For estimation only; dimensions may vary.



Air-X-Changers
 Hammco