

Figure 1. Outer Components

Item number Companion 5	Item number Companion 5 MDD	Description	Quantity	Bubble Seq No
20916443	20916443	Front Case	1	1
15063311	15063311	Back Case	1	2
20970192	20970192	Companion Eco Label	1	3
20970191	20970191	CAIRE Label	1	4
15062861	15062861	Caster	4	5
CD038-12	CD038-12	Power Cord, 115V, USA	1	6
CD038-13	CD038-13	Power Cord, 230V, EURO	1	6
CD038-14	CD038-14	Power Cord, Australian	1	6
CD038-17	CD038-17	Power Cord, UK, 3 Pins W/3 AMP Fuse	1	6
CD038-19	CD038-19	Power Cord, Swiss	1	6
CD038-20	CD038-20	Power Cord, Brazil	1	6
CD006-1	CD033-1	Strain Relief	1	7
15063266	21494452	Flow Meter	1	8
15063282	15063282	On/OFF Switch	1	9
N/A	21485458	Switch Cover	1	10
15067540	15067540	Display Label O2 Monitoring	1	11
15067700	15067700	Humidifier Bottle Strap	1	12

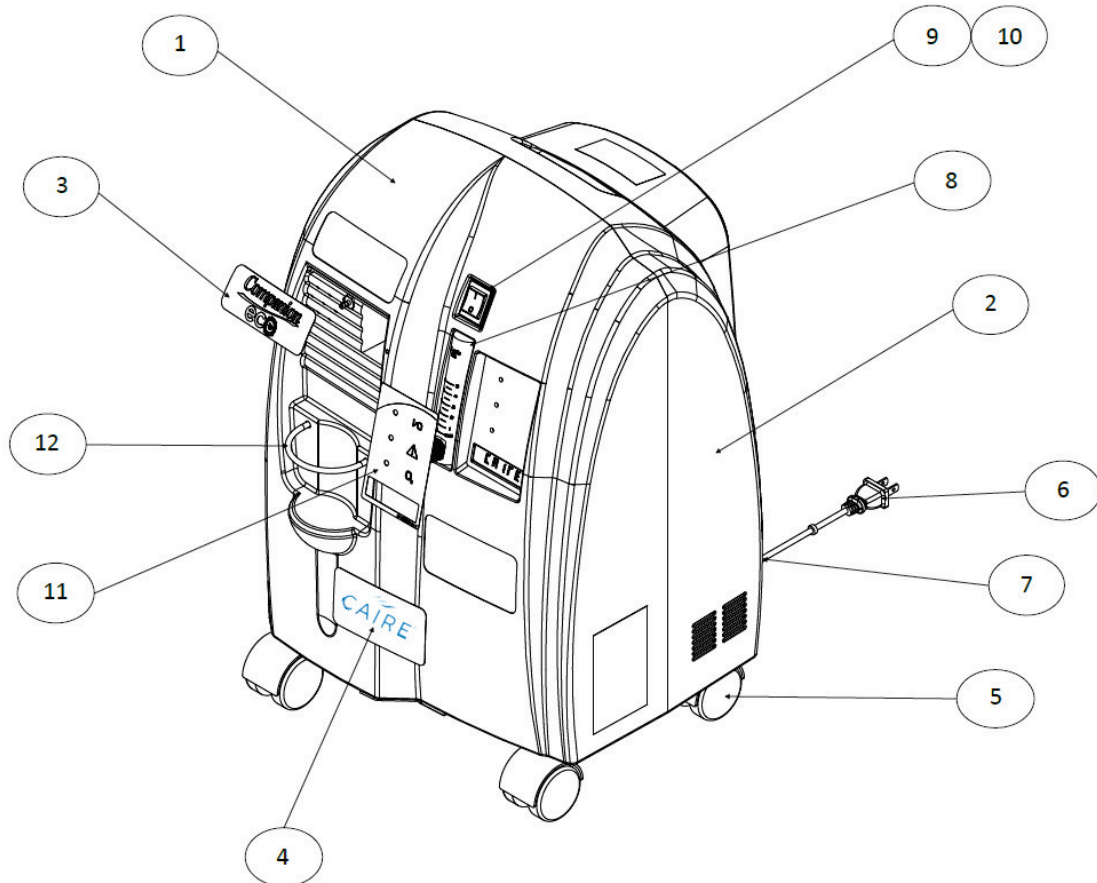


Figure 2: View of Compressor and Inside the Front Case

Item number Companion 5	Item number Companion 5 MDD	Description	Quantity	Bubble Seq No
20610409-31SO	CB202-33	Circuit Board 120 VAC O2	1	1
20610409-32SO	CB202-43	Circuit Board 240 VAC	1	1
15063258	15063258	Tubing, Black, Comp Intake	1	2
15062925	15062925	Filter, Compressor Intake	1	3
15062896	15062896	Cover, Compressor Intake	1	4
15062984	15062984	Screw, Compressor Intake Cover	1	5
15063426	15063426	Product Filter (HEPA)	1	6
20815629	20815629	Braided Tubing from Compressor to Heat Exchanger	1	7
15062917S	15062917S	Compressor Assembly (120V) Includes Capacitor	1	8
15067697S	15067697S	Compressor Assembly (230V) Includes Capacitor	1	8
FN041-1	FN041-1	Cooling Fan 115V	1	9
FN001-2	FN001-3	Cooling Fan 230V	1	9
20914768	20914768	Heat Exchanger	1	10
21496797 *	21496797 *	Oetiker Hose Clamp	2	11
CL036-1 *	CL036-1 *	Ratcheting Hose Clamp	1	11
15062888	15062888	Shelf Fan	1	12
15062853	15062853	Screw, Fan Shelf	4	13
15062984	15062984	Screw, circuit board	4	14
21127245	21127245	Bottom Gross Particle	1	15
20815627	20815627	Tubing, Braided, from heat exchanger to Sieve Beds	1	16
20809627	20809627	Wire Harness, Cooling Fan (115V) (230V)	1	17
SW002-3	SW002-3	Temperature Switch	1	18
N/A	21354096	Adapter, Alarm Buzzer	1	19
N/A	15062984	Screw, Adapter Buzzer	2	20
N/A	AL022-1	Buzzer	1	21
N/A	SC177-1	Screw, Buzzer	2	22

* Please refer to Service Bulletin PN 21360547 for Hose Clamp Change.

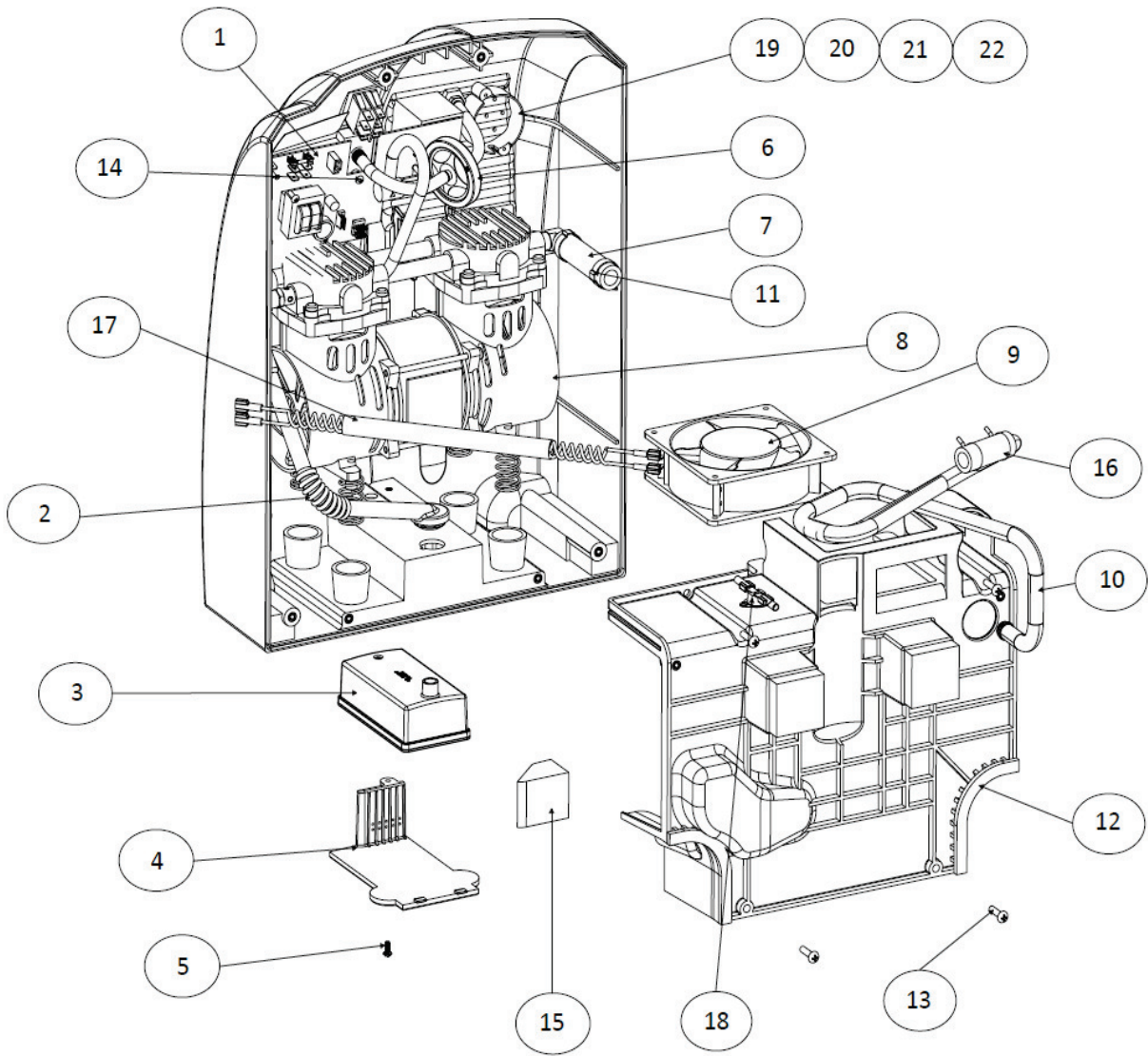
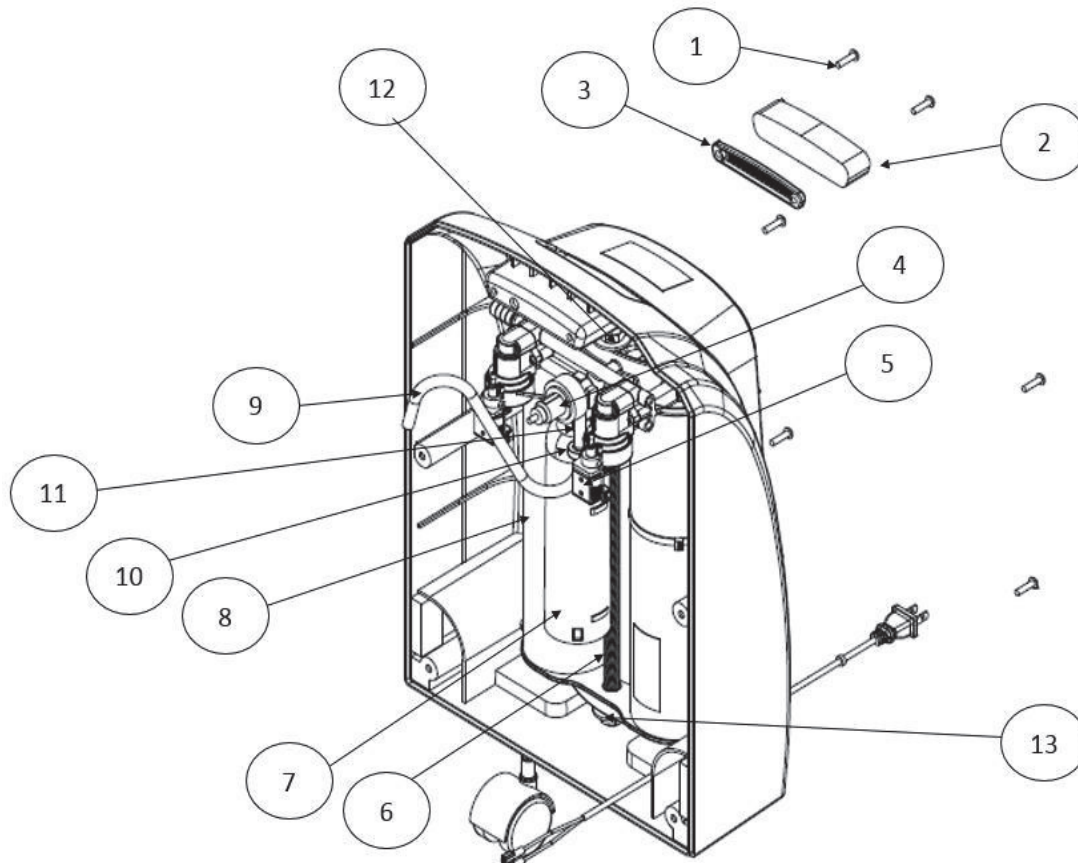


Figure 3: View of Sieve Bed Assembly and Back Case

Item number Companion 5	Item number Companion 5 MDD	Description	Quantity	Bubble Seq No
15062853	15062853	Screw, Case	6	1
21127244	N/A	Handle Gross Particle Filter	1	2
21127239	N/A	Filter Gross Particle Screen	1	3
15063531	15063531	Regulator	1	4
20913392S	20913392S	Valve Assembly	1	5
20912323	20912323	ROD, Sieve Bed Assembly	1	6
15063565	15063565	Muffler, Exhaust	1	7
BE561-1S	BE561-1S	Sieve Bed Assembly	1	8
15089714	15089714	Tubing, Silicone Check Valve to O2 board port	1	9
15063653	15063653	Check Valve Diaphragm	1	10
15089722	15089722	Tubing, Silicone Sieve Beds to Check Valve	1	11
15063338	15063338	Grommet, Rubber, Top Mount	1	12
20902395	20902395	Grommet, Rubber, Bottom Mount	2	13

* Please refer to Service Bulletin PN 21494442 for Companion 5™ Top Intake Filter Removal.



Copyright © 2022 CAIRE Inc. CAIRE Inc. reserves the right to discontinue its products, or change the prices, materials, equipment, quality, descriptions, specifications and/or processes to its products at any time without prior notice and with no further obligation or consequence. All rights not expressly stated herein are reserved by us, as applicable.