

# Eclipse

**Figure 1: Eclipse Internal View**

Eclipse 3	Eclipse 5 (3 LED)	Eclipse 5 (2 LED)	Description	Quantity	Bubble Seq No
SP3941-6-SEQ	SP4043-9-SEQ	SP21122262-31	PCB, CONTROL MODULE ASSY	1	1
6950-310-SEQ	6950-310-SEQ	6950-310-SEQ	SCREW, CS PCB TO CASE	2	2
4106-SEQ	4106-SEQ	21244143	CHANNEL SEAL WITH STRAIN RELIEF	1	3
8071-SEQ	8071-SEQ	8071-SEQ	MOUNT, VIBRATION, COMPRESSOR	4	4
4063-SEQ	4063-SEQ	4063-SEQ	WIRE HARNESS, POWER CONNECTOR	1	5
6974-312-SEQ	6974-312-SEQ	6974-312-SEQ	SCREW, BATTERY BRIDGE BOARD	4	6
4106-1-SEQ	4106-1-SEQ	N/A	STRAIN RELIEF	1	7
8098-SEQ	8098-SEQ	8098-SEQ	9V BATTERY	1	8
1076-SEQ	1076-SEQ	1076-SEQ	WIRE HARNESS, 9V BATTERY	1	9
SP20626702	SP20626702	SP20626702	ATF ASSY (INCLUDES 6991-SEQ)	1	10
6991-SEQ	6991-SEQ	6991-SEQ	GROMMET, ATF	3	11
6985-04-SEQ	6985-04-SEQ	6985-04-SEQ	WASHER, ATF SCREW	3	12
6961-420-SEQ	6961-420-SEQ	6961-420-SEQ	SCREW, ATF	3	13
SP6981-SEQ	SP6981-SEQ	SP6981-SEQ	TUBING, SILICONE, 3/8" OD (10' ROLL)	1	14
6979-SEQ	6979-SEQ	6979-SEQ	WYE CONNECTOR FOR INSPIRATION DETECTION	1	15
4171-414-SEQ	4171-414-SEQ	4171-414-SEQ	PROPORTIONAL VALVE MOUNT SCREW	1	16
5293-SEQ	5293-SEQ	5293-SEQ	PROPORTIONAL VALVE	1	17
4398-SEQ	4398-SEQ	4398-SEQ	TUBING, ALUMINUM, ATF TO PRODUCT TANK	1	18
4376-SEQ	4376-SEQ	4376-SEQ	PRODUCT TANK TOP CAP	1	19
6950-310-SEQ	6950-310-SEQ	6950-310-SEQ	SCREW, PRODUCT TANK	2	20
SP4378-SEQ	SP4378-SEQ	SP4378-SEQ	PRODUCT TANK ASSY [INCLUDES PN's 4398-SEQ, 4376-SEQ, 6950-310-SEQ, 4252-SEQ, 21360366 (INTERNAL OXYGEN OUTLET FILTER NOT PICTURED), 4382-SEQ (LARGE O-RING NOT PICTURED), 9251-SEQ (SMALL O-RING NOT PICTURED)]	1	21
4252-SEQ	4252-SEQ	4252-SEQ	PRODUCT TANK MOUNTING CLAMP	1	22
1074-SEQ	1074-SEQ	1074-SEQ	COOLING FAN ASSY, (PM PCB)	1	23
6961-210-SEQ	6961-210-SEQ	6961-210-SEQ	SCREW, COOLING FAN	2	24
SP5932-1-SEQ	SP5932-4-SEQ	SP5932-2-SEQ	PCB, POWER MANAGER/BATTERY BRIDGE COMBO	1	25
N/A	20623336	N/A	ATF MOUNT SPACER	1	N/A

# Eclipse

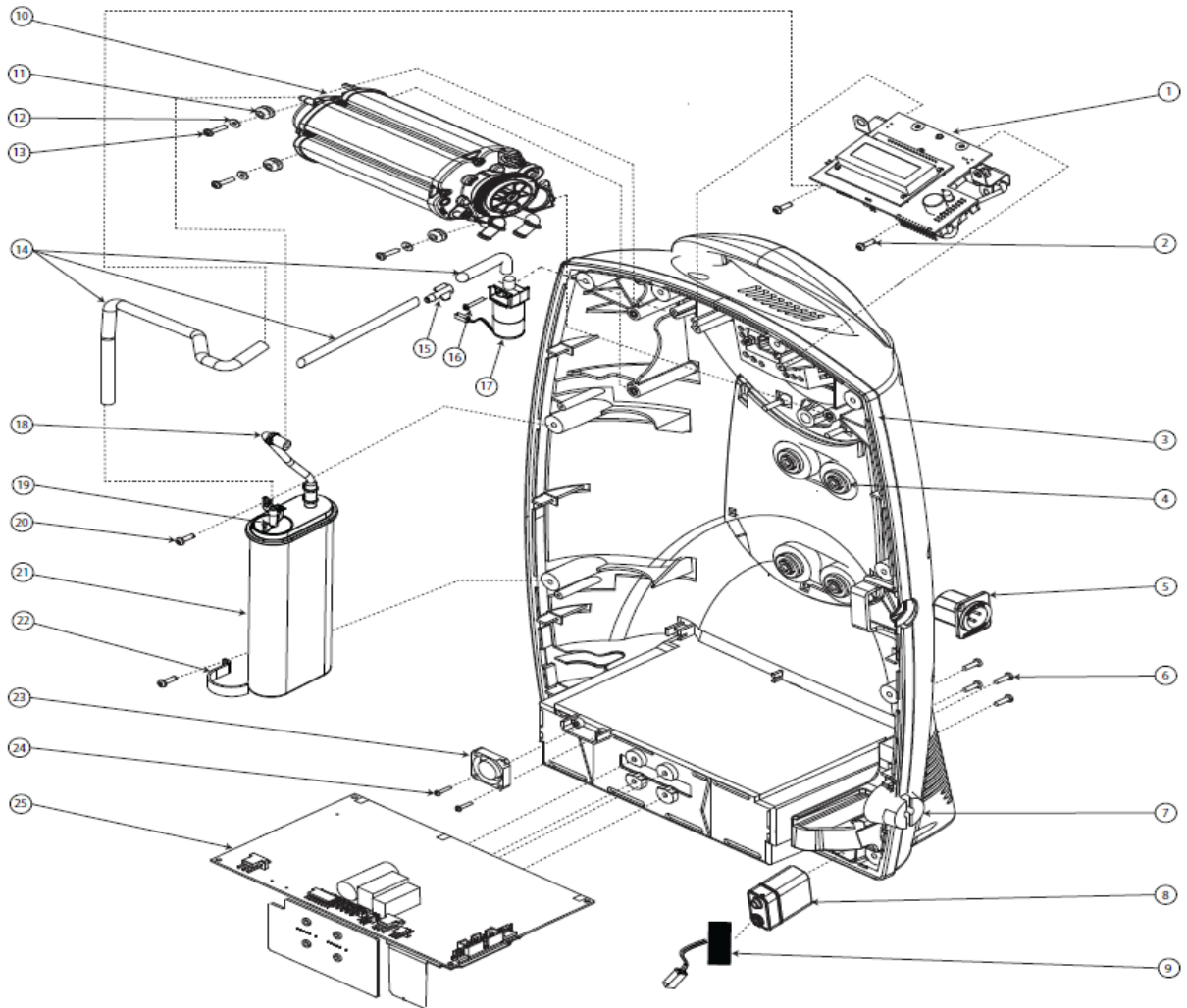
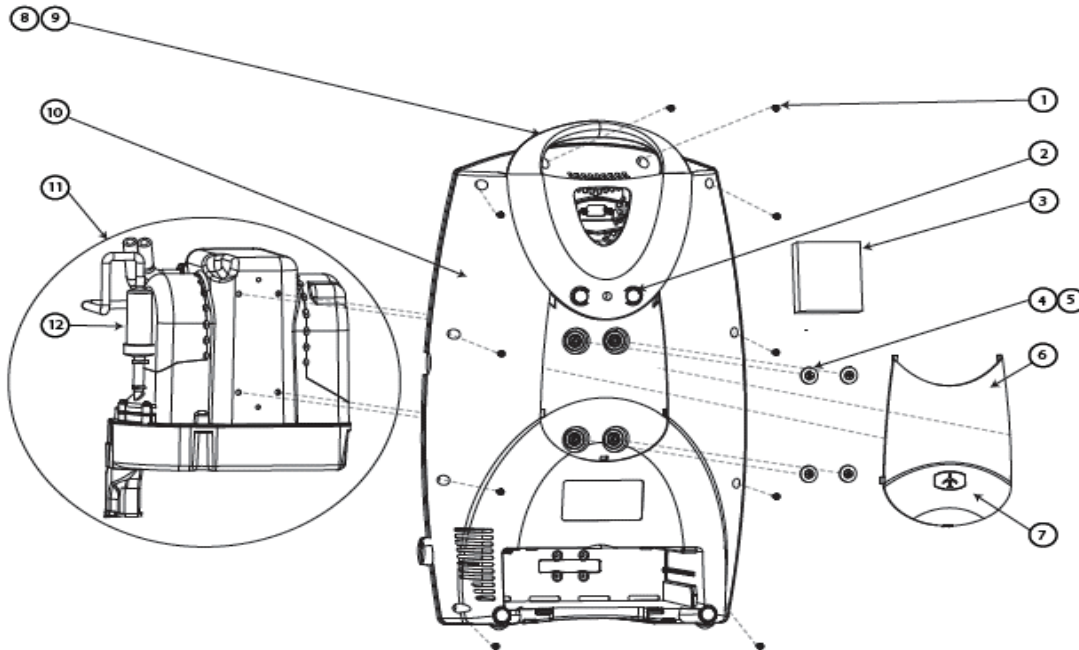


Figure 1: ECLIPSE Internal View

# Eclipse

**Figure 2: Eclipse Rear View**

Eclipse 3	Eclipse 5 (3 LED)	Eclipse 5 (2 LED)	Description	Quantity	Bubble Seq No
6974-312-SEQ	6974-312-SEQ	6974-312-SEQ	SCREW, CASE	10	1
6956-SEQ	6956-SEQ	6956-SEQ	RUBBER FOOT	8	2
7028-SEQ	7028-SEQ	7028-SEQ	FILTER CABINET INLET	1	3
3866-SEQ	3866-SEQ	3866-SEQ	FILTER CABINET INLET (QTY 12 NOT PICTURED)	12	N/A
6961-420-SEQ	6961-420-SEQ	6961-420-SEQ	SCREW, COMPRESSOR TO BOTTOM CASE	4	4
3568-SEQ	3568-SEQ	3568-SEQ	WASHER, COMRESSOR SCREW	4	5
1029-SEQ	SP20623857	SP21159772	COMPRESSOR SCREW COVER	1	6
3929-SEQ	3929-SEQ	3929-SEQ	LABEL, AIRPLANE	1	7
6963-SEQ	6963-SEQ	6963-SEQ	CASE HANDLE	1	8
6950-410-SEQ	6950-410-SEQ	6950-410-SEQ	SCREW, CASE HANDLE	4	9
SP4242-SEQ	SP20623837	SP21126771	CASE, BOTTOM ASSY	1	10
SP5999-SEQ	SP5999-SEQ	SP5999-SEQ	COMPRESSOR	1	11
8069-SEQ	8069-SEQ	8069-SEQ	FILTER, COMPRESSOR INTAKE	1	12
3895-SEQ	3895-SEQ	3895-SEQ	FILTER, COMPRESSOR INTAKE (QTY 12 NOT PICTURED)	12	N/A

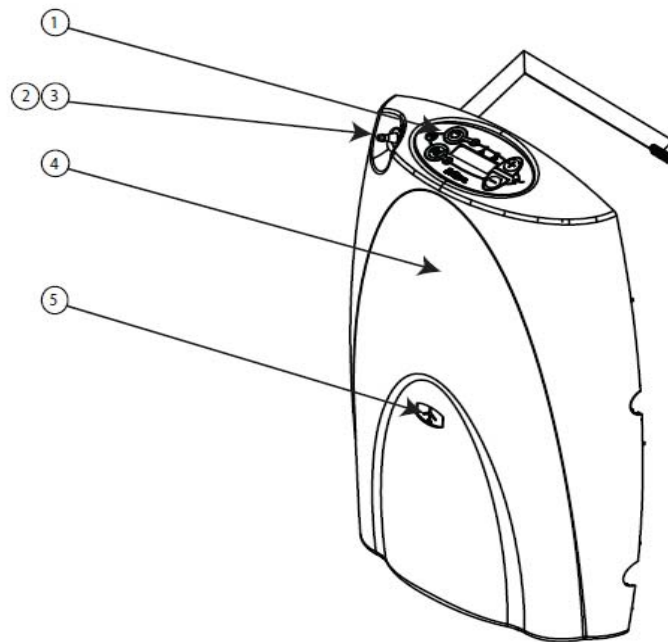


**Figure 2: ECLIPSE Rear View**

# Eclipse

**Figure 3: Eclipse Front View**

Eclipse 3	Eclipse 5 (3 LED)	Eclipse 5 (2 LED)	Description	Quantity	Bubble Seq No
SP4225-SEQ	SP20618461	SP21072187	MEMBRANE PANEL KIT	1	1
2777-SEQ	2777-SEQ	2777-SEQ	NUT, O2 CANNULA PORT	1	2
3922-SEQ	3922-SEQ	3922-SEQ	O2 CANNULA PORT	1	3
SP4241-SEQ	SP20623840	SP21126965	CASE, TOP ASSY	1	4
3929-SEQ	3929-SEQ	3929-SEQ	LABEL, AIRPLANE	1	5



**Figure 2: ECLIPSE Front View**

# Eclipse



## Miscellaneous Items Not Pictured

Eclipse 3	Eclipse 5 (3 LED)	Eclipse 5 (2 LED)	Description	Quantity
6968-SEQ	6968-SEQ	6968-SEQ	ZIP TIE	20
5022-SEQ	5022-SEQ	5022-SEQ	PREVENTATIVE MAINTENANCE KIT	1
1137-SEQ	1137-SEQ	1137-SEQ	VINYL CAP, ATF, SMALL	1
3575-SEQ	3575-SEQ	3575-SEQ	VINYL CAP, ATF, LARGE	1

## Parts List