



First Choice Group

SPARE PARTS DIAGRAM FOR



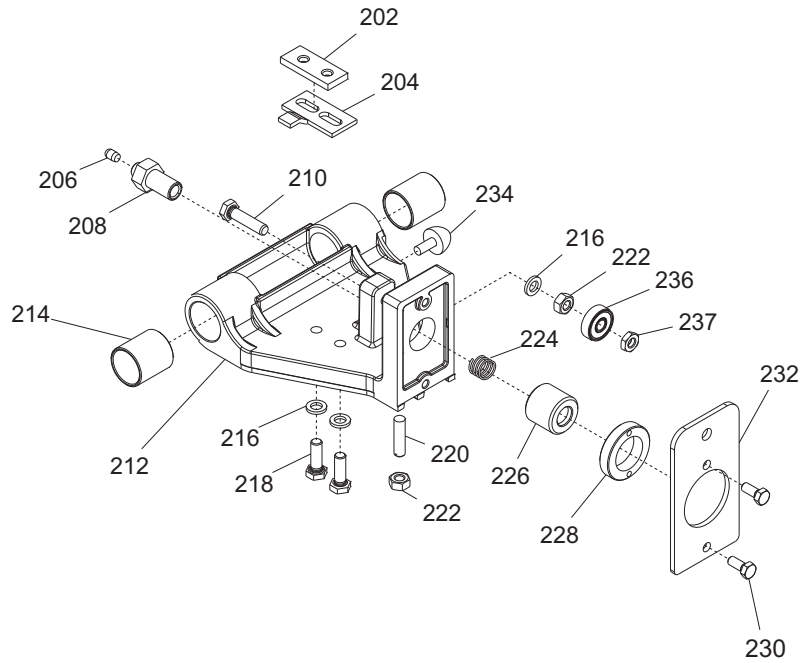
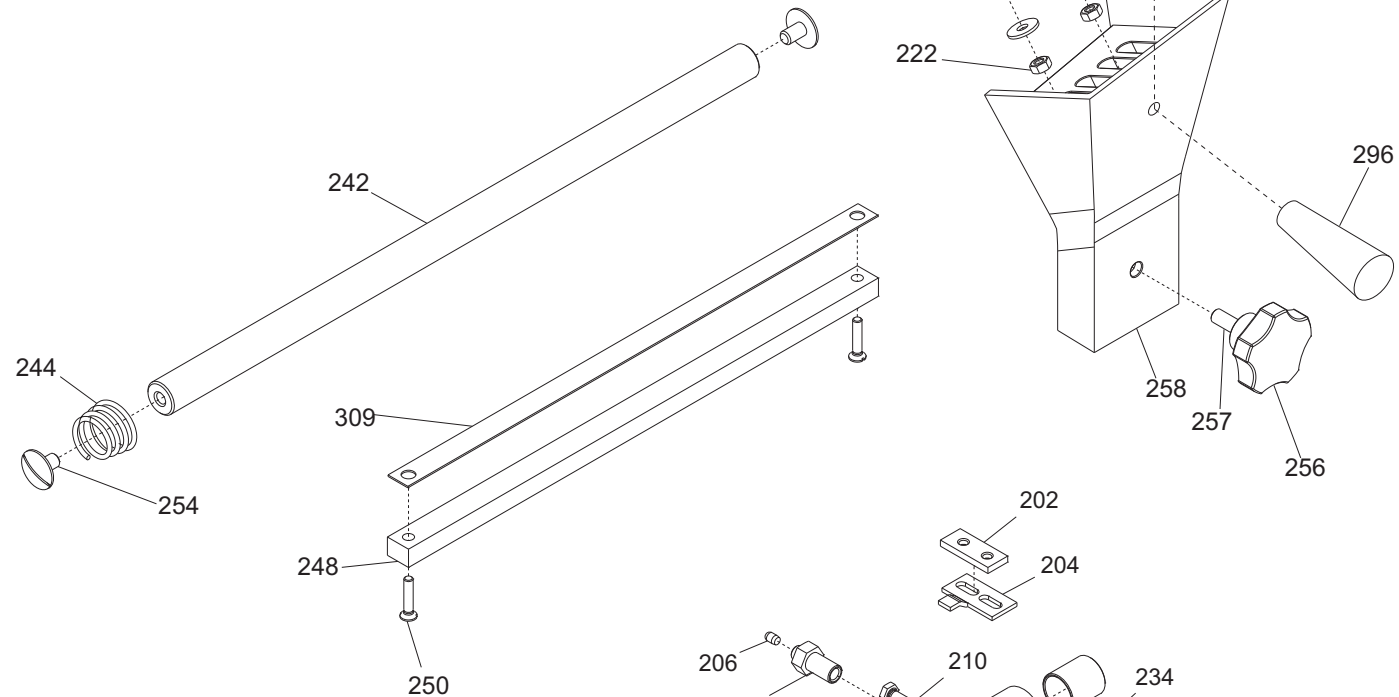
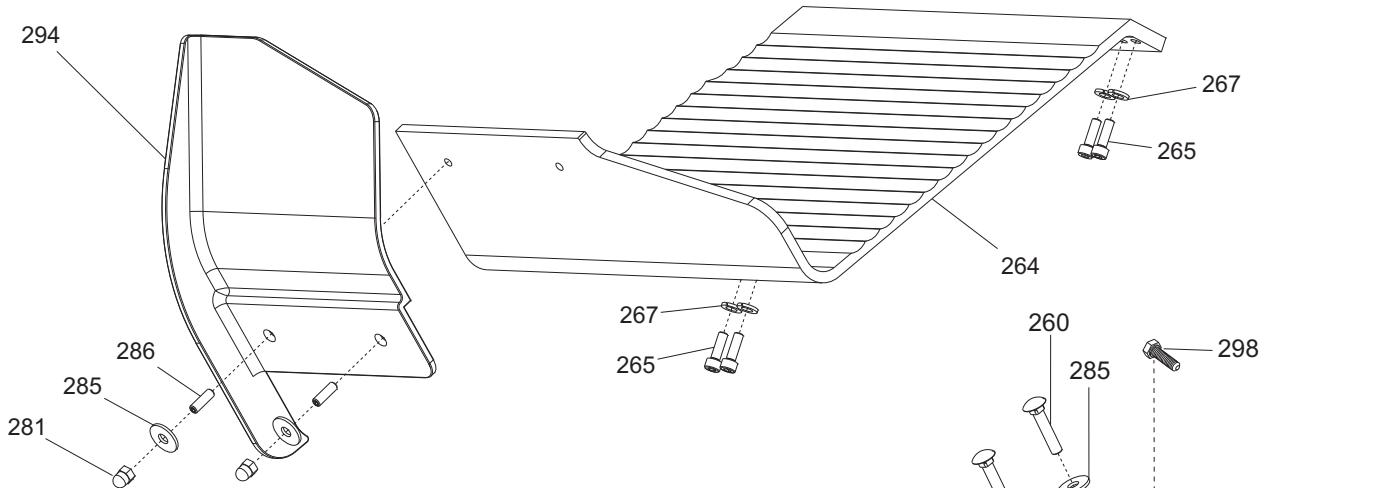
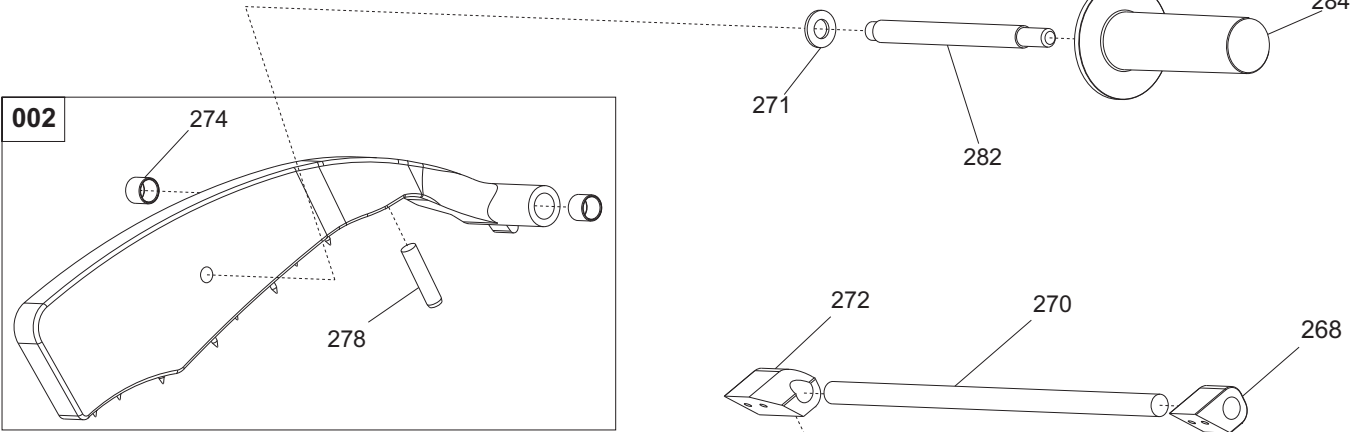
Slicer

MIRRA 300 Y09 AF

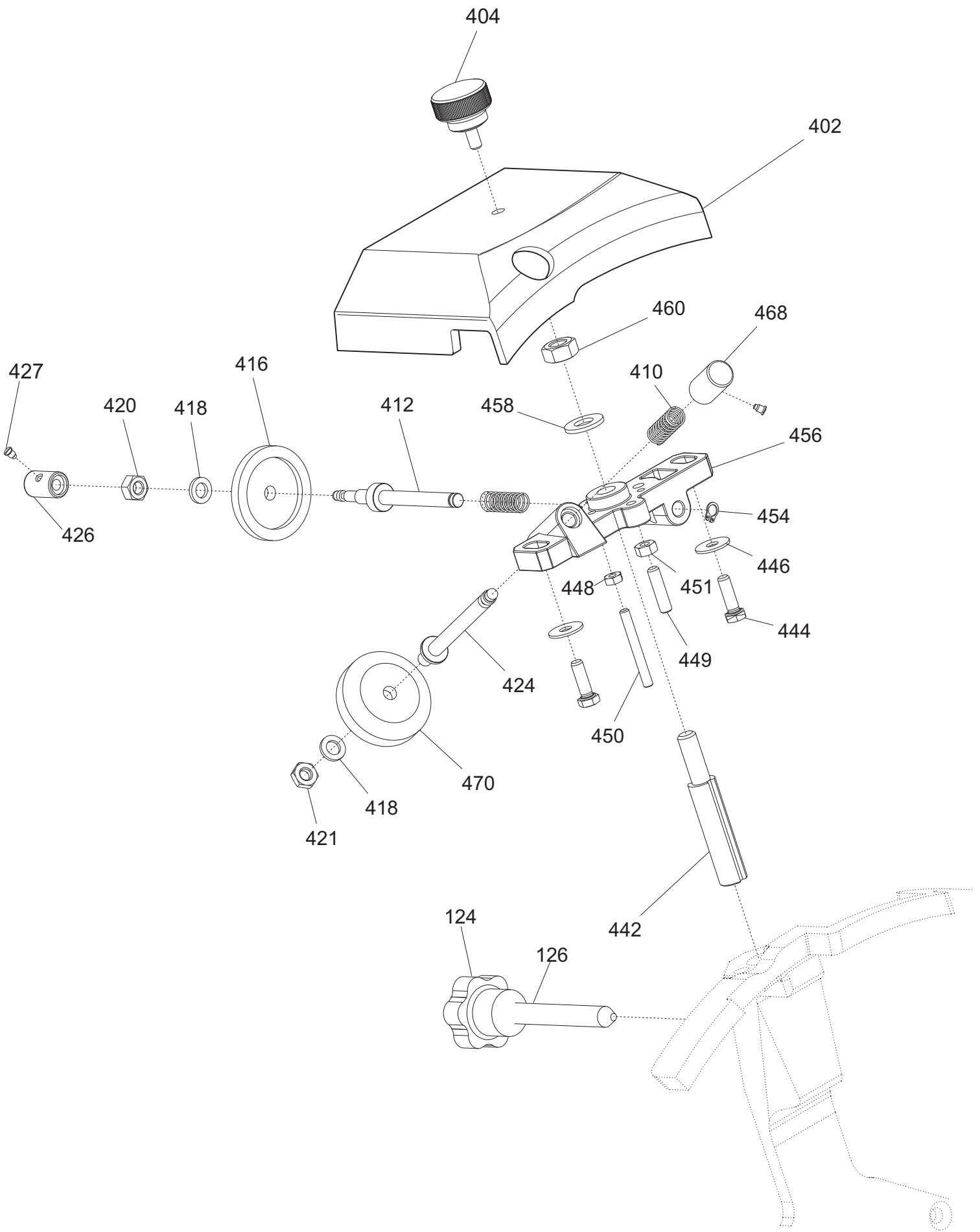
First Choice Group
Blakeney Way, Kingswood Lakeside
Cannock, Staffs, WS11 8LD
TEL: 01543 577778 FAX: 01543504141
Email: enquires@firstchoice-cs.co.uk
Web: www.firstchoice-cs.co.uk

Ref.	Product name	Code
02A	BASE/FRAME MIRRA 300	19510130
02B	CASSA 300 G MRR Y16 OSSIDATA	19510130.16
4	FOOT M5 FOR SLICER/CUTTER	19560201
6	INTERNAL BLADE COVER MIRRA300 FRM09	19510235
8	BLADE COVER KNOB	19021110
10	FLATHEAD CSK SCREW DIN 963 M4 X 12	IX2963004012
12	FLATHEAD CSK SCREW DIN 963 M5 X 14	IX2963005014
14	LOCK NUT MIRRA 300 Y09	19530930.1
15	SEAL RING NBR 80X95X5	19562140
16	BLADE 300 12"- 40/3/254 CE	18300403254F
18A	BLADE RIM GUARD _ MIRRA 300	19513030
18B	AN.PR.LAMA 300 PRESS.MRR G.BRILL	19513030.16
19	FLATHEAD CSK SCREW DIN 963 M5 X 16	IX2963005016
20	RIM GUARD PIN _MRR 220-300/PLD 350	19534081
22A	BLADE SHAFT _ MIRRA 300 Y09	19700335
22B	BLADE SHAFT MIRRA 300 Y10	19700335.1
24	BELT TB2 360 X 8 _ MIRRA 300	19310206
26	GRUB SCREW DIN 916 M5 X 6 NE	NE0916005006
28	MICROSWITCH HOLDING RING _ MIRRA	19540901
31	LARGE WASHER	19563002
34	S/S SLICE DEFLECTOR _MIRRA 300 Y09	19531035
40	THICKNESS PLATE _ MIRRA 300 Y09	19510330C
43	PIN SLEEVE PLATE SUPPORT MIRRA 300	19562030
44	LOCKING SCREW M8X24 MIRRA 300	193350032
46	DEFLECTOR SCREW M5 _ MIRRA	19335014
47B	TIE ROD KNOB M 6 BLUE _ MIRRA	19564016
47A	TIE ROD KNOB M6X5 FOR MIRRA	19562502
48	SUPPORT CAP _MIRRA 220-300	19560132
58	THICKNESS PLATE SUPPORT _ MIRRA 300	19510730
61	BLADE COVER TIE ROD _ MIRRA 300	19530535
64	THICKNESS PLATE SLIDE _ MIRRA 300	19500130
66	SLIDE GUIDE _ MIRRA	19540601
68	GRUB SCREW DIN 916 M 6X10 NE	NE0916006010
70	HEX.SCREW DIN 933 M5 X 10	IX2933005010
78	SLIDE SPRING _ MIRRA 300	19390230
80	PIN PLATE SLIDE _ MIRRA 300	19530730
82	BRASS STUD BOLT M6 X 17 _ MIRRA	19337032
84	HEX.NUT DIN 934 M 6	IX2934006
86	FLAT WASHER DIN 125 D 6	IX2125006
88	LOW HEX.NUT DIN 439 M 6	IX2439006
90	SLIDE PIN _ MIRRA 300	193360630
92	CAM FOR MIRRA 220/275/300	19563505LG
94	GRUB SCREW DIN 916 M 6X8 NE	NE0916006008
96	CORRUGATED WASHER 12	19342005
98	GRUB SCREW DIN 916 M5 X 6 NE	NE0916005006
100	THICKNESS KNOB WASHER _ MIRRA	19562145
101	SELF-LUBR.BUSHES 12.14.20	19324111
102B	THICKNESS KNOB BLUE _MIRRA	19564020
102A	THICKNESS ADJUSTING KNOB MIRRA	19562402
106	HOLDING RING NUT _ MIRRA 250	19534062
108	FLAT WASHER DIN 125 D 8	IX2125008
110	HEX.NUT DIN 934 M8	IX2934008

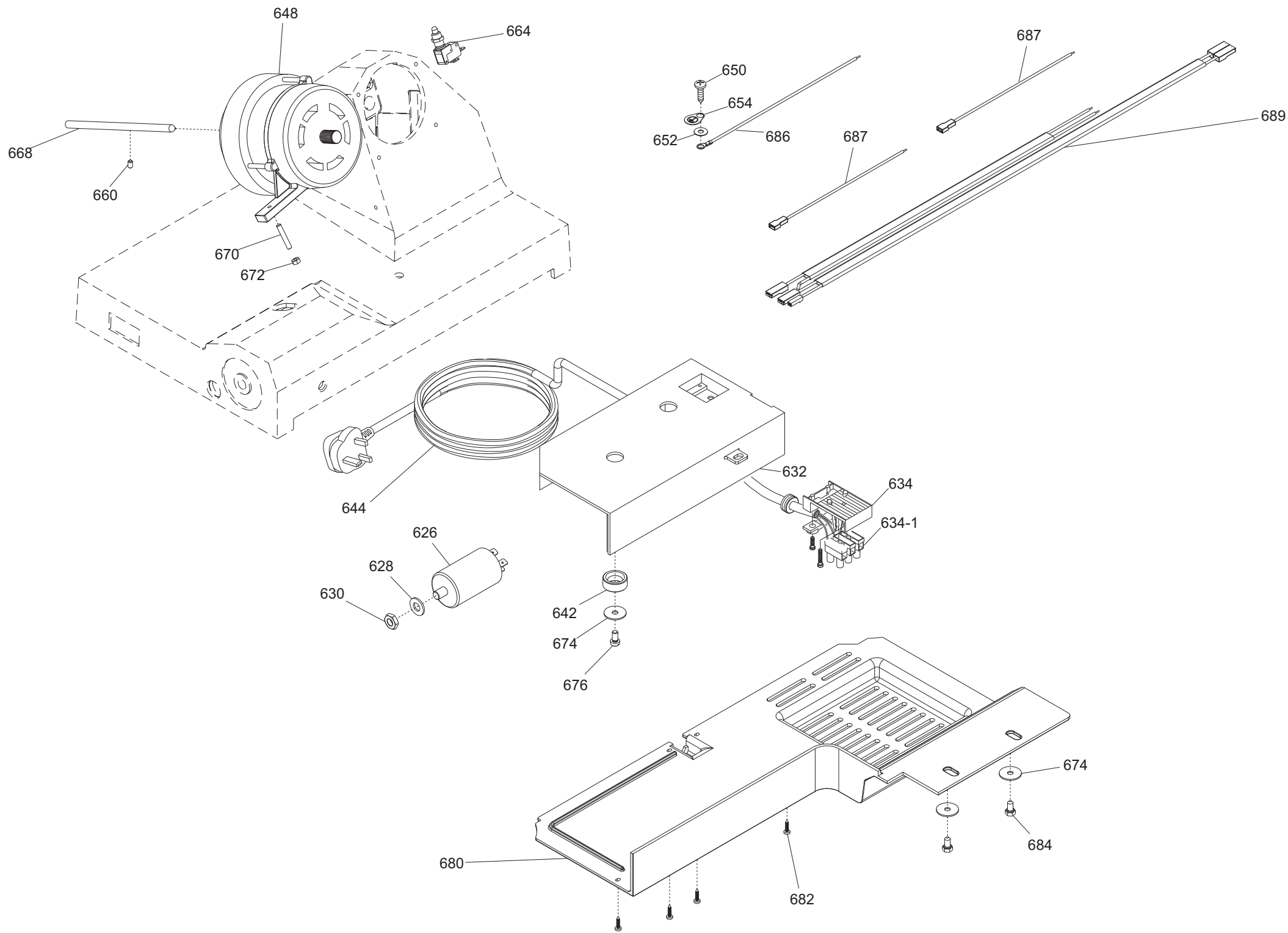
002



Ref.	Product name	Code
2	MEAT PRESS ASS.Y CANOV/MIRRA 300Y09	19801235
202	THREADED RELEASE PLATE _ SLICER CE	19533200
204	CARRIAGE RELEASE PLATE _ MIRRA CE	19533210
206	RELEASE NEEDLE _ SLICER 300-385 CE	19565001
208	PIN _ SLICER 220-250 CE	19534034
210	HEX.SCREW DIN 933 M6 X 25	IX2933006025
212	CARRIAGE SLIDE D.20 _ MIRRA 300 CE	19500532/02
214	SELF-LUBR.BUSHES 20.23.25 MIRRA 300	19324032
216	FLAT WASHER DIN 125 D 6	IX2125006
218	VITE TE DIN 933 M 6X18 T.F.	IX2933006018
220	BRASS STUD BOLT 6X25	19337002
222	HEX.NUT DIN 934 M 6	IX2934006
224	RELEASE SPRING 220-250 CE	19390600
226	THREADED BUSH _ SLICER 220-250 CE	19534024
228	LOCKRING EXT. _ SLICER 220-250 CE	19534029
230	HEX.SCREW DIN 933 M5 X 12	IX2933005012
232	PIASTR.CARRELLO MRR.SV 220-275.CAS	19533023
234	CARRIAGE BUFFER M5X12 MIRRA 220-300	19560170
236	CARRIAGE BEARING 626 2RS R50 _MIRRA	19320103
237	LOW HEX.NUT DIN 439 M 6	IX2439006
242	CARRIAGE ROUND BAR D.20 _ MIRRA 300	19530632/02
244	ROUND BAR SPRING _ MIRRA 300	19390134
248	SQUARE BAR _ MIRRA 275-300	19540132
250	FLATHEAD CSK SCREW DIN 963 M5 X 25	IX2963005025
254	ROUND BAR SCREW _ MIRRA 300	193350030
256B	BLADE GUARD TIE ROD KNOB M8 _ BLUE	19564013
256A	TIE ROD KNOB M8X5 _SLICER 300-370	19562504
257	VITE SENZA TESTA DIN 913 M 8X30 CE	IX2913008030
258	GAMBO MRR G 300 "AF" CE OSSIDATO	19510630CAF
260	SCREW PRODUCT PLATE MIRRA 220-250	19335042
264	PRODUCT PLATE _ MIRRA Y09 CE	195104E030
265	HEX.SOCKET HEAD CAP SCREW M5 X 16	IX2912005016
266	GRUB SCREW DIN 916 M 5X8 NE	NE0916005008
267	GROWER WASHER UNI 1751 D.6	IX21751006
268	ALUMINUM ROD BLOCK STRAIGHT MRR 300	19526062
270	MEAT PRESS ROD _ MIRRA 300	195304030
271	WASHER DIN 125 D 10	IX2125010
272	ALUMINUM ROD BLOCK INCLINED _MRR 300	19526060
274	SELF-LUBR.BUSHES 12.14.12 FRM 2001	19324102
278	MEAT PRESS BUFFER D85XH36	19563206
281	BLIND NUT DIN 1587 M5	IX21587LC005
282	SPACER D12X150 _MIRRA/CANOVA CE	19541508
284B	MEAT PRESS HANDLE - BLUE	19564012
284A	MEAT PRESS KNOB FOR SLICER - BLACK	19562904
285	WASHER LARGE DIN 9021 D 6X18	IX29021006018
286	GRUB SCREW DIN 913 M 5X16 CE	IX2913005016
294	PLEXI HAND GUARD MIRRA 300 Y09	19562324.06
296B	MEAT PRESS HANDLE BLUE _ MIRRA	19564019.13
296A	MEAT PRESS KNOB FOR MIRRA - BLACK	19562900
298	HEX.SCREW DIN 933 M6 X 16	IX2933006016
309	HARDENED BAR _ MIRRA 300	19530832

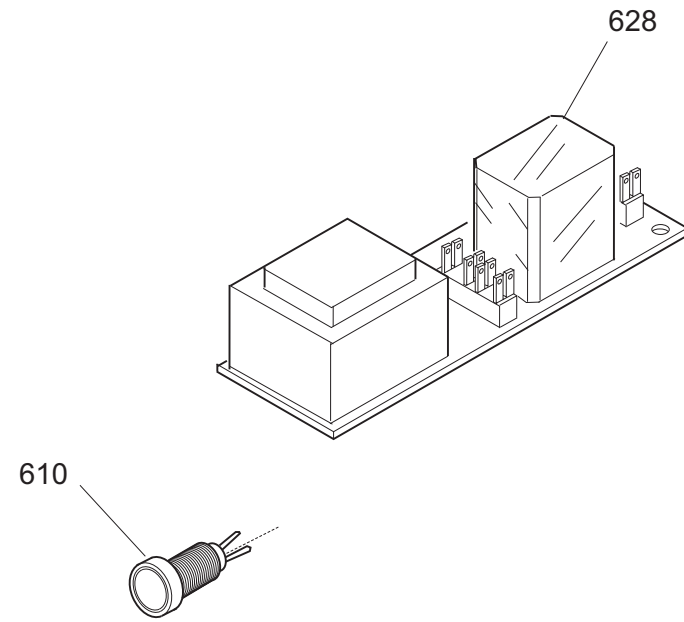
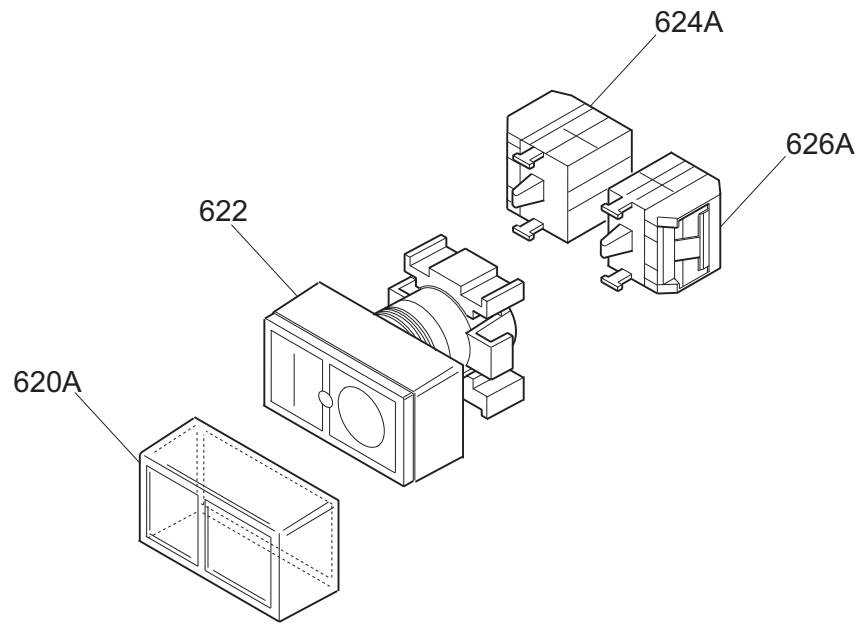


Ref.	Product name	Code
-	SHARPENER ASS.Y COMPLETE _ MIRRA300	19800033
124A	SHARPENER LOCKING KNOB FOR SLICER	19562602
124B	BLUE KNOB M8	19564015
126	SHARPENER SUPPORT STUD BOLT L=75 MM	19336010
402	SHARPENER COVER _ MIRRA 300 CE	19511230C
404A	SHARPENER KNOB M5	19562701
404B	KNOB M 5 BLUE	19564018
410	SHARPENER SPRING _ SLICER 250-300	19390303
412	DEBURRING PIN _ SLICER 250-300	19540703
416	DEBURRING STONE D.40 H8 F6	19300201
418	FLAT WASHER DIN 125 D 6	IX2125006
420	HEX.NUT DIN 934 M 6	IX2934006
421	LOW HEX.NUT DIN 439 M 6	IX2439006
424	SHARPENING PIN _ SLICER 250-300	19540704
426	DEBURRING BUTTON _ SLICER 250-300	19550203
427	BUTTON LOCKING SCREW _ SLICER 250-370	19335025
442	THREADED PIN L=71	19540430
444	HEX.SCREW DIN 933 M5 X 16	IX2933005016
446	WASHER LARGE DIN 9021 D 5X15	IX29021005015
448	HEX.NUT DIN 934 M 4	IX2934004
449	GRUB SCREW DIN 913 M5 X 20 CE	IX2913005020
450	GRUB SCREW DIN 913 M4 X 35 CE	IX2913004035
451	HEX.NUT DIN 934 M 5	IX2934005
454	CIRCLIP DIN 471 D 05E	IX2471005
456	SHARPENER FRAME _ MIRRA VERT.220-300	19021332
458	FLAT WASHER DIN 125 D 8	IX2125008
460	HEX.NUT DIN 934 M8	IX2934008
468	SHARPENING BUTTON _ SLICER 250-300	19550202
470	SHARPENING STONE D40 H11 F6	19300101

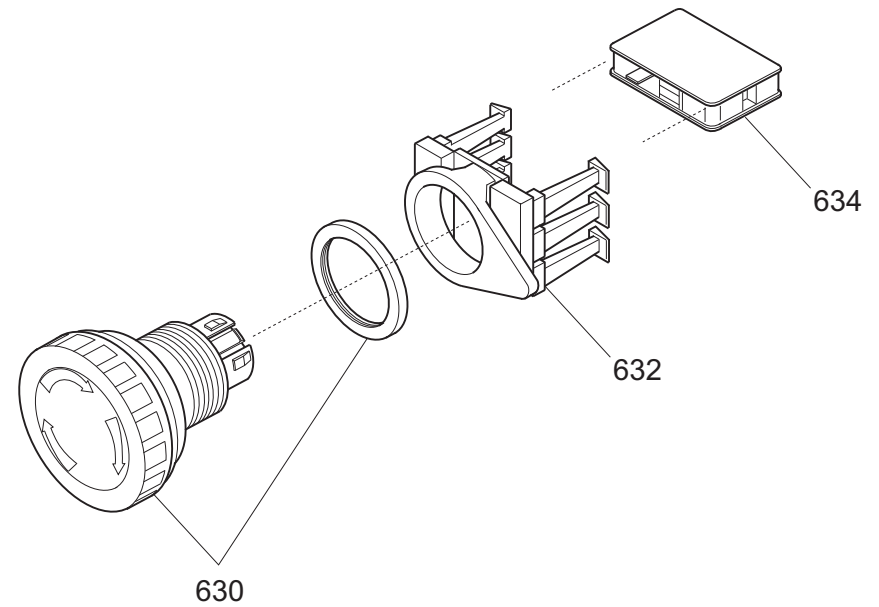
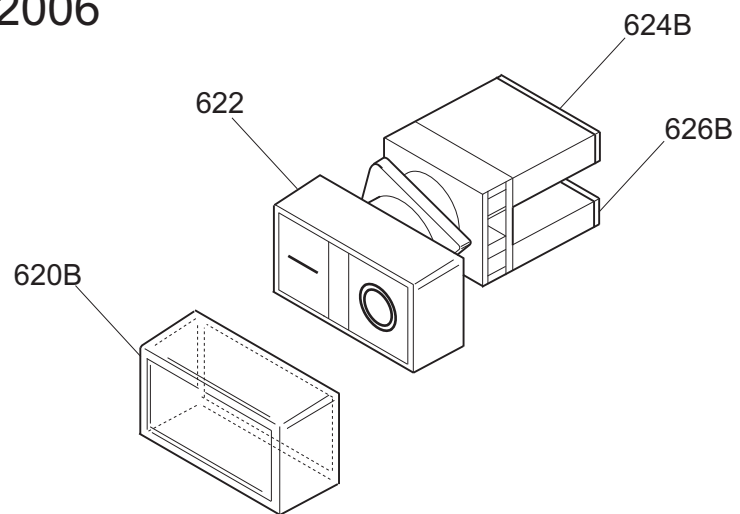


Ref.	Product name	Code
626	CAPACITOR 8µF CODOLO M8	19410301
628	FLAT WASHER DIN 125 D 8	IX2125008
630	LOW HEX.NUT DIN 439 M8	IX2439008
632	RELAY HOUSING 11-04-97 _ MIRRA	19563125
634-1	TERMINAL BLOCK 3 POLES 27	19410822
634	SUB-TERMINAL PA 228	19410820
642	HOUSING SPACER RING	19561500
644	UK POWER CORD SINGLE PHASE	19410504
648	MOTOR MRR-CNV 300 P.50 230/50/1	19403052
650	VITE AUTOF.TC+ DIN 7981 D 35X95	IX27981350095
652	WASHER DIN 6798-A D 4E	IX26798A004
654	GROUND LABEL	19420177
660	GRUB SCREW DIN 916 M 5X8 NE	NE0916005008
664	MICROSWITCH SINGLE-PHASE	19410201
668	MOTOR PIVOT _ MIRRA 300	19540530
670	GRUB SCREW DIN 913 M 5X30 CE	IX2913005030
672	HEX.NUT DIN 934 M 5	IX2934005
674	WASHER LARGE DIN 9021 D 5X20	IX29021005020
676	SCREW TC-DIN 84 M 5X10	IX284005010
680	BASE COVER MIRRA 300	19563152
682	SELF-TAPPING SCREW DIN7981 D29X13	IX2798129013
684	HEX.SCREW DIN 933 M5 X 10	IX2933005010
686	GROUND CABLE UL _ MIRRA 220-250	19410738
687	INDICATOR LIGHT CABLE	19410750
689	CAVET.ALIM MRR TUV	19410711

Until 2005



From 2006



Ref.	Product name	Code
610	380/220V PILOT LAMP	19410406
620A	SWITCH PROTECTION	19563107.06
620B	SWITCH PROTECTION	19563107.06
620A	PROTEZIONE INTERR. KIT FRANCIA	19563107
622	SWITCH BUTTON 0-1	19410115.06
624B	RED SWITCH PART	19410110.06
624A	BLOCCHETTO ROSSO V 40	19410110
626B	GREEN SWITCH PART	19410111.06
626A	BLOCCHETTO VERDE V-50	19410111
628	PCB 230-400/50 & 110/60 LED	19411000.06
630	EMERGENCY RED BUTTON	19410148.07
632	HOLDER FOR EMERGENCY BUTTON	19410149.07
634	CONTACT FOR EMERGENCY BUTTON	19410147.07