

Fast

Distributing Inc.



Parts Manual 743P Series





Mountain Lake

54859 County Road 44
Mt. Lake, Minnesota 56159
800-772-9279, 507-427-3861
507-427-3030
E-mail: info@fastdist.com



Gilman

1340 S. Crescent
Gilman, Illinois 60938
800-872-8894, 815-265-7125
815-265-7130
E-mail: fast@colint.com

<http://www.fastdist.com>

fast Index

Warranty Policy	4	Tee Boom Filters Assembly	58
Section 1 Frame	5	Tee Boom Filter	59
Parallel Links	6	Tee Boom Filter	60
3 Point Hitch Pins	7	Manifold Assembly	61
Safety Pins, Wear Plates	8	Tee Jet Ball Valves w/Manifold and Gauge	62
Hand Rinse	9	Tee Ball Valves w/Manifold and Gauge, w/Raven MCV	63
Wing Lift Cyl. Straps	10	Manual Fence Line Plumbing	64
60' To 72' Std. Main Wings	11	Electric Fence Line Plumbing	65
80' To 90' Std. Main Wings	12	Plumb Broad Mounting Bracket	66
60' Std. Flip Wings	13	RFM 60 Flow meter Replacement Parts	67
60' Offset Flip Wings	14	1' Poly Control Valve Replacement Parts	68
80' Std. Flip Wings	15	Plumbing Broad	69
80' Offset Flip Wings	16	Feed Line Plumbing	70
90' Std. Flip Wings	17	Feed Line Plumbing	71
90' Offset Flip Wings	18	Feed Line Plumbing	72
100" Breakaway all with sprayers	19	Quick Tee Jet Nozzle Bodies	73
Breakaway Latch Assembly	20	Tee Jet Nozzle Bodies	74
Center Section Complete	21	Stainless Steel Nozzle Clamps	75
Center Section Large Parts	22	Section 5 Electrical	76
Center Section Small Parts	23	Rear Lights and Cables	77
Center Section Small Parts	24	440 Raven with Cable Common on Fast Sprayers	78
Parallel Link Pins	25	450 Raven with Cable Common on Fast Sprayers	79
Storage Stand Brackets And Clamps	26	Speed Cable and Radar Common on Fast Sprayers	80
Parking Stands 743P	27	Radar Interface Cables	81
Section 2 - Hydraulic Systems	28	Radar Speed Sensor Interface Cable	82
Main Hydraulic Hose & Hydraulic Valve Package	29	Section 6 Foamer	83
Fasse 7400 5-Function Cab Box	30	Scorpion Foamer 20 Gal.	84
Fasse 7400 5-Function Hyd. Block	31	Scorpion Foamer 20 Gal. Part List	85
Fasse 7400 5-Station Block Parts	32	SC20-ELFMII EVERLAST FOAM MARKERS	86
Fasse 7400 7 Cab Box 2001	33	SC20-ELFMII EVERLAST FOAM MARKERS	87
(OPT) Fasse 7400 7-Function Cab Box	34	SC20-ELFMII EVERLAST FOAM MARKERS	88
(OPT) Fasse 7400 7-Function Block Harness	35	SC20-ELFMII EVERLAST FOAM MARKERS	89
(OPT) Fasse 7400 7-Function Hyd. Block	36	SC20-ELFMII EVERLAST FOAM MARKERS	90
Main Center Lift Cylinder And Accumulator 60'80'90'	37	SC20-ELFMII Part List	91
TD Series TIE-ROD Cylinders - 40TD10-150	38	Foamer Mounting Brackets	92
Boom Wing Lift Hydraulic Package - 60' 80' 90'	39	Section 7 - Plumbing Diagrams	93
Tie Rod Cylinders with PSP Seals - 30TD12-125	40	Common Breakaway Plumbing	94
Boom Swing Hydraulic Package - 60' 80' 90'	41	Common Fence Line Plumbing	95
TD Series Tie-Rod Cylinders 30TD16-150	42	Common Boom Plumbing	96
Boom Flip Wing Package - 60' 80' 90'	43	Section 8 Miscellaneous	97
80'-90'TD Series Tie-Rod Cylinders 30TD16-150	44	Thread Sealant	98
60' TD Series Tie-Rod Cylinders - 25TD16-125	45	Decals	99
Section 3 - Water Pumps and Hyd. Pumps	46	Decals	100
150 x 206 Hyd. Motor Pump	47	Decals	101
High Capacity Hydraulic Driven Centrifugal Pump	48	Trak - Tank	102
High Capacity Hydraulic Driven Centrifugal Pump	49	Trak - Tank	103
Hydraulic Motor Parts List	50		
200x304 Hyd. Motor Pump	51		
High Capacity Hydraulic Driven Centrifugal Pump	52		
Hydraulic Motor Parts List	53		
Hydraulic Motor Parts List	54		
Section 4 Plumbing	55		
Pump Plumbing	56		
Main Line Filter	57		

fast Warranty Policy

Fast Distributing Inc warrants to the buyer that the new machinery free from defects in material and workmanship.

This warranty is only effective as to any new machinery which has not been altered, changed, repaired or traded since its delivery to the buyer, other than by Fast Distributing or its authorized dealers or employees.

This warranty extends only to the original owner of the new equipment.

Sprayers and components fabricated by Fast Distributing Inc are warranted for a period of two years from date of shipment to original purchaser as determined by Fast Distributing Inc. warranty is limited to repair or replacement of the item after factory inspection. Warranty is only authorized by the warranty department, not by sales or service departments. Labor is limited and subject to approval. All warranty cards must be sent in prior to any warranty claim, if warranty card is not sent in all warranty will be avoid.

Components such as (but not limited to) tanks, pumps, shutoff valves and controllers are warranted by their respected manufactures. Fast Distributing, Inc does not assume the responsibility of their warranty.

Rubber parts are not warranted (including tires, hoses, grommets).

Incoming and outgoing freight on warranty items will be the customers expense.

Loss of chemical within the spray tank, expenses, inconvenience or other damages that may occur are the customers expense .

Warranty request form must be completed per instructions. Fast shall at its own discretion and its own option either repair or replace any defective parts provided that the buyer shall be responsible for all expenses incurred as a result of repairs, labor, parts, transportation or any other work, unless Fast has authorized such expenses in advance.

This warranty is limited to the terms stated herein and in lieu any other warranties whether express or implied, and without limiting the generality of the foregoing, excluded all warranties, express or implied or conditions whether statutory or otherwise as to quality and fitness for any purpose of the new equipment. Fast disclaims all liability for incidental or consequential damages.

This sprayer is subject to designs changes and Fast Distributing Inc shall not be required to retro-fit or exchange items on previously sold units at its own option.

fast Section 1 - Frame

Parallel Links	6
3 Point Hitch Pins	7
Safety Pins, Wear Plates	8
Hand Rinse	9
Wing Lift Cyl. Straps	10
60' To 72' Std. Main Wings	11
80' To 90' Std. Main Wings	12
60' Std. Flip Wings	13
60' Offset Flip Wings	14
80' Std. Flip Wings	15
80' Offset Flip Wings	16
90' Std. Flip Wings	17
90' Offset Flip Wings	18
100" Breakaway all with sprayers	19
Breakaway Latch Assembly	20
Center Section Complete	21
Center Section Large Parts	22
Center Section Small Parts	23
Center Section Small Parts	24
Parallel Link Pins	25
Storage Stand Brackets And Clamps	26
Parking Stands 743P	27



fast Parallel Links



FA76644



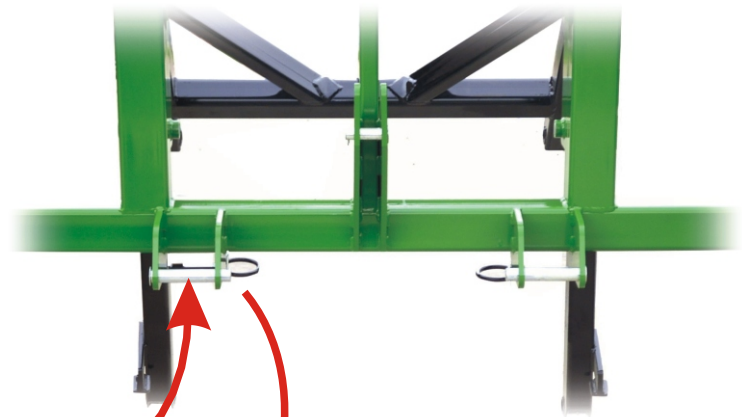
Grease Fittings
1/4" x28

FA7667R

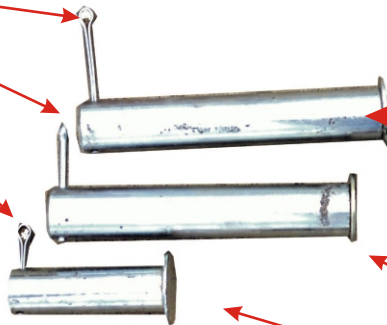
FA7667L



fast 3 Point Hitch Pins



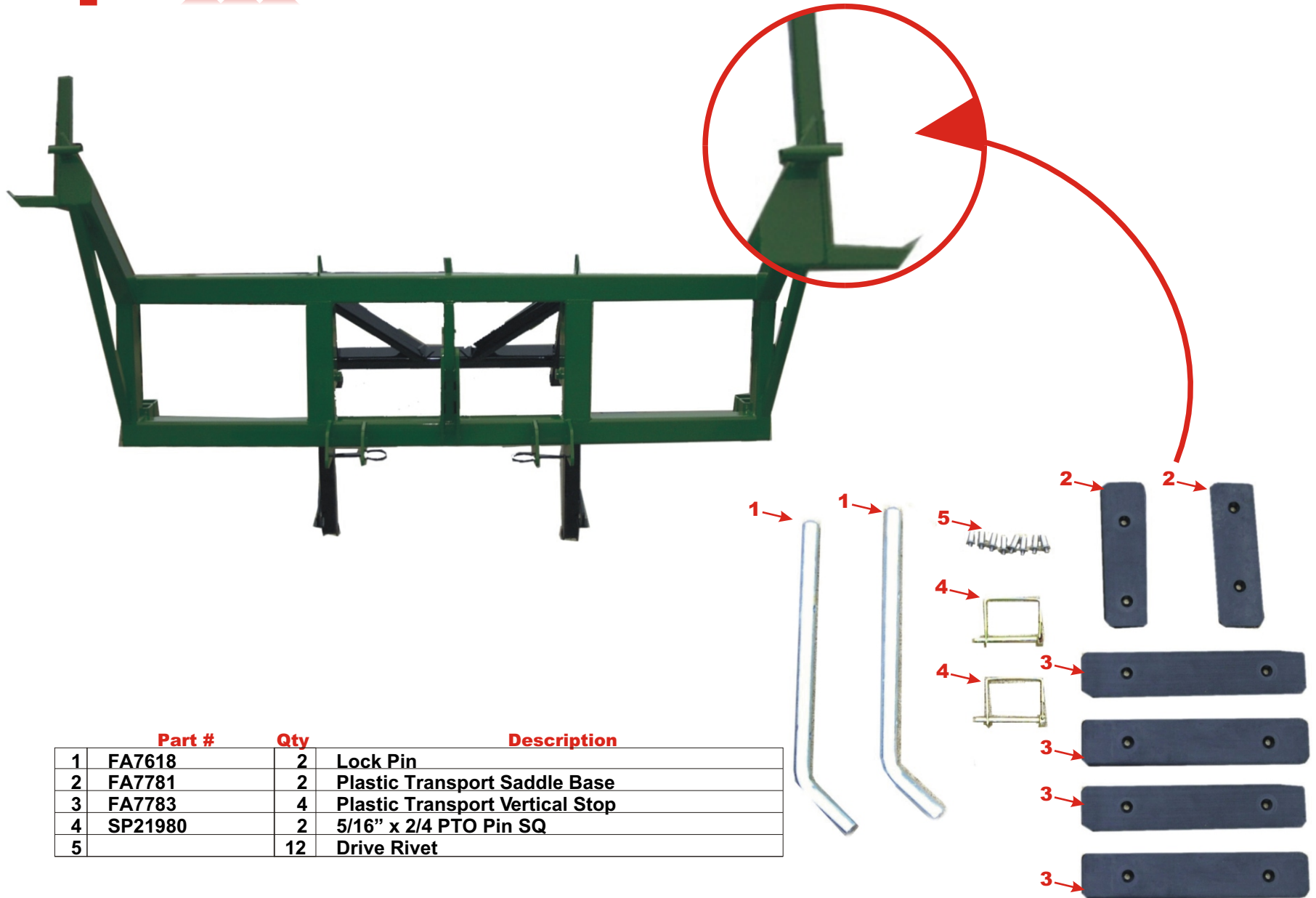
3/16" X 2"



Part # FA1053 Pin Lower 3PT

Part # FA1054 Pin Upper 3PT

fast Safety Pins, Wear Plates



8

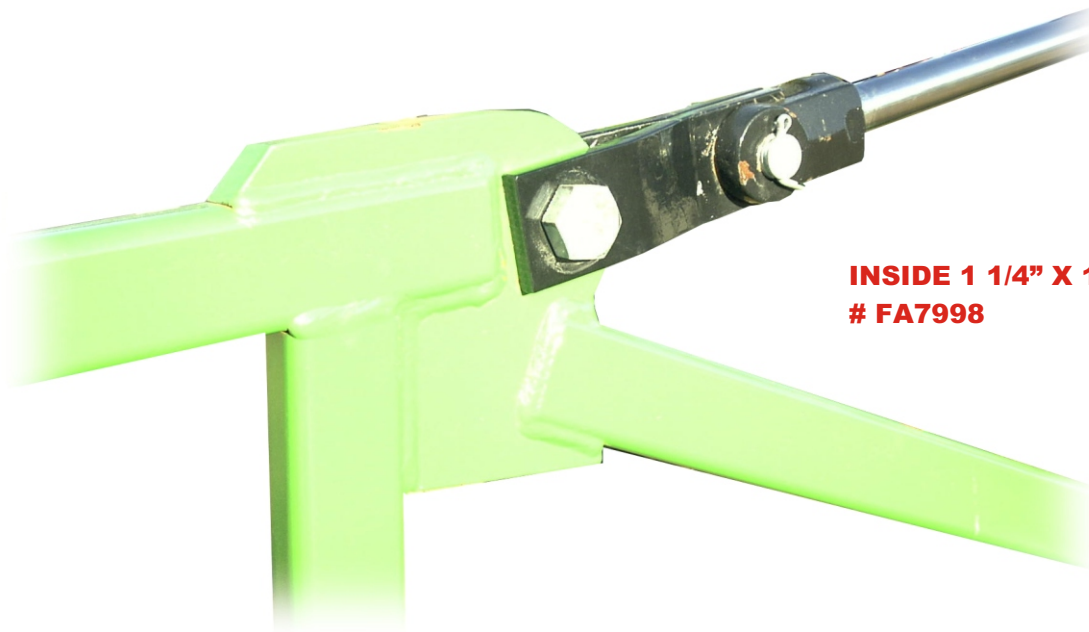
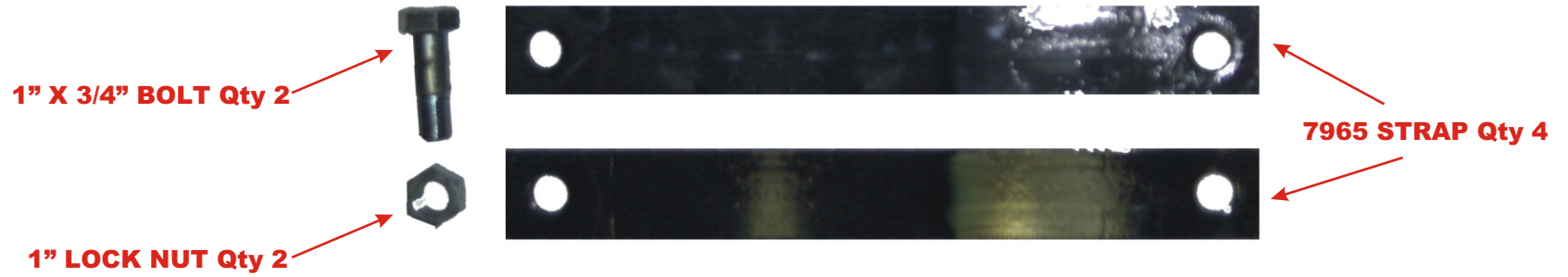
	Part #	Qty	Description
1	FA7618	2	Lock Pin
2	FA7781	2	Plastic Transport Saddle Base
3	FA7783	4	Plastic Transport Vertical Stop
4	SP21980	2	5/16" x 2/4 PTO Pin SQ
5		12	Drive Rivet

fast Hand Rinse

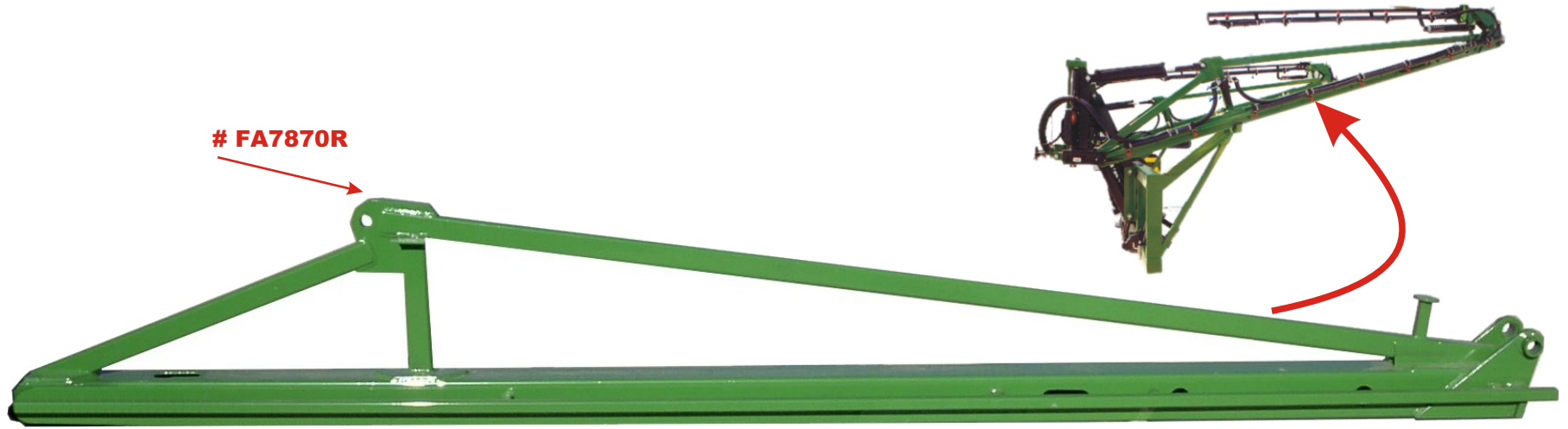


	Part #	Qty	Description
1	ARSP0003RT	1	Tank 3-Gal. Rectangle
2	AR5432F	1	Lid
3	BJSL075-90	1	Elbow Poly 3/4" Pipe St.
4	RIDFI03-501	1	Rieke Corp. - Hand Valve
5		4	5/16" x 1" NC
6		4	Flat Wash 5/16"
7		4	Lock Wash 5/16"

fast Wing Lift Cyl. Straps

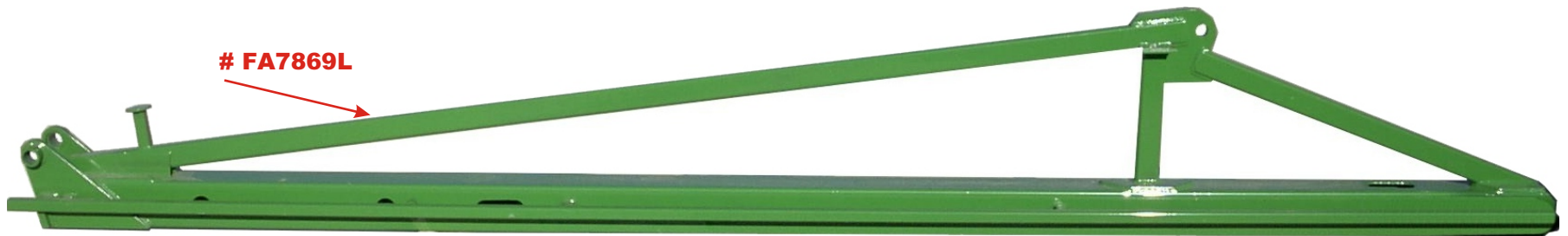


fast 60' To 72' Std. Main Wings



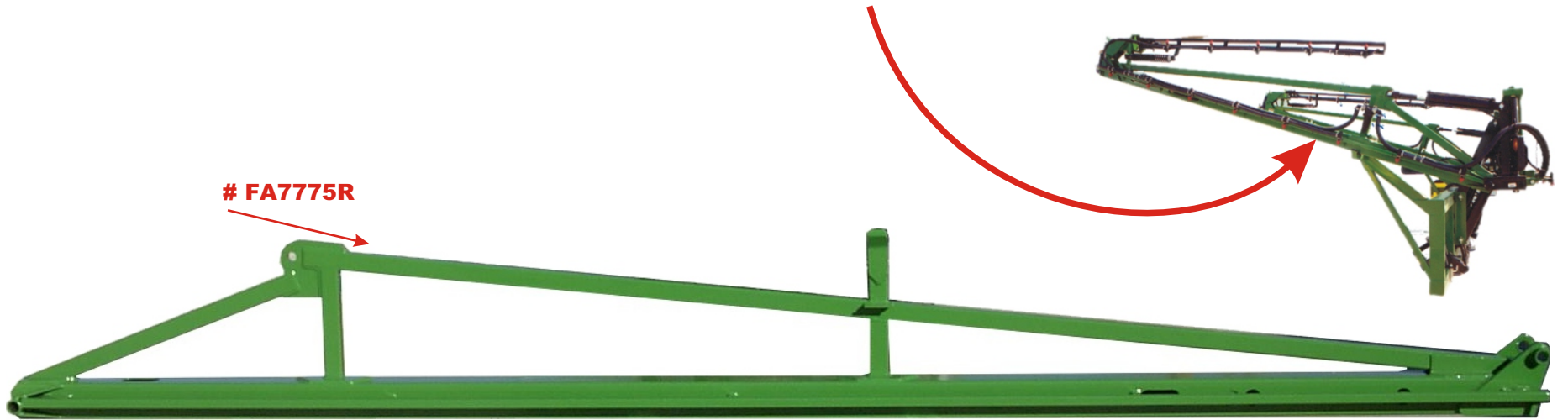
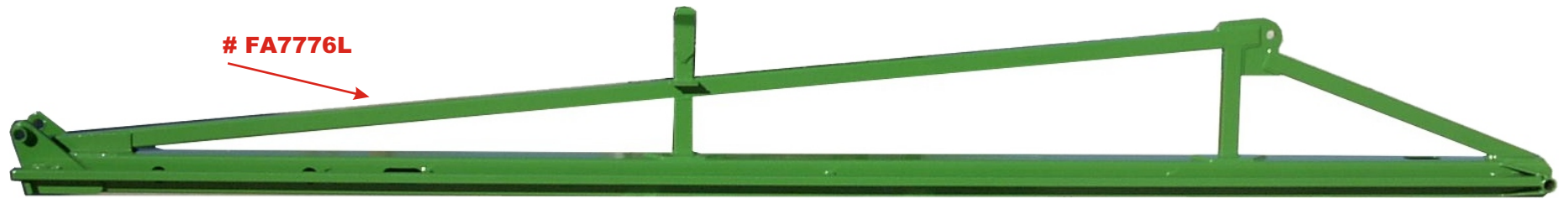
FA7870R

11

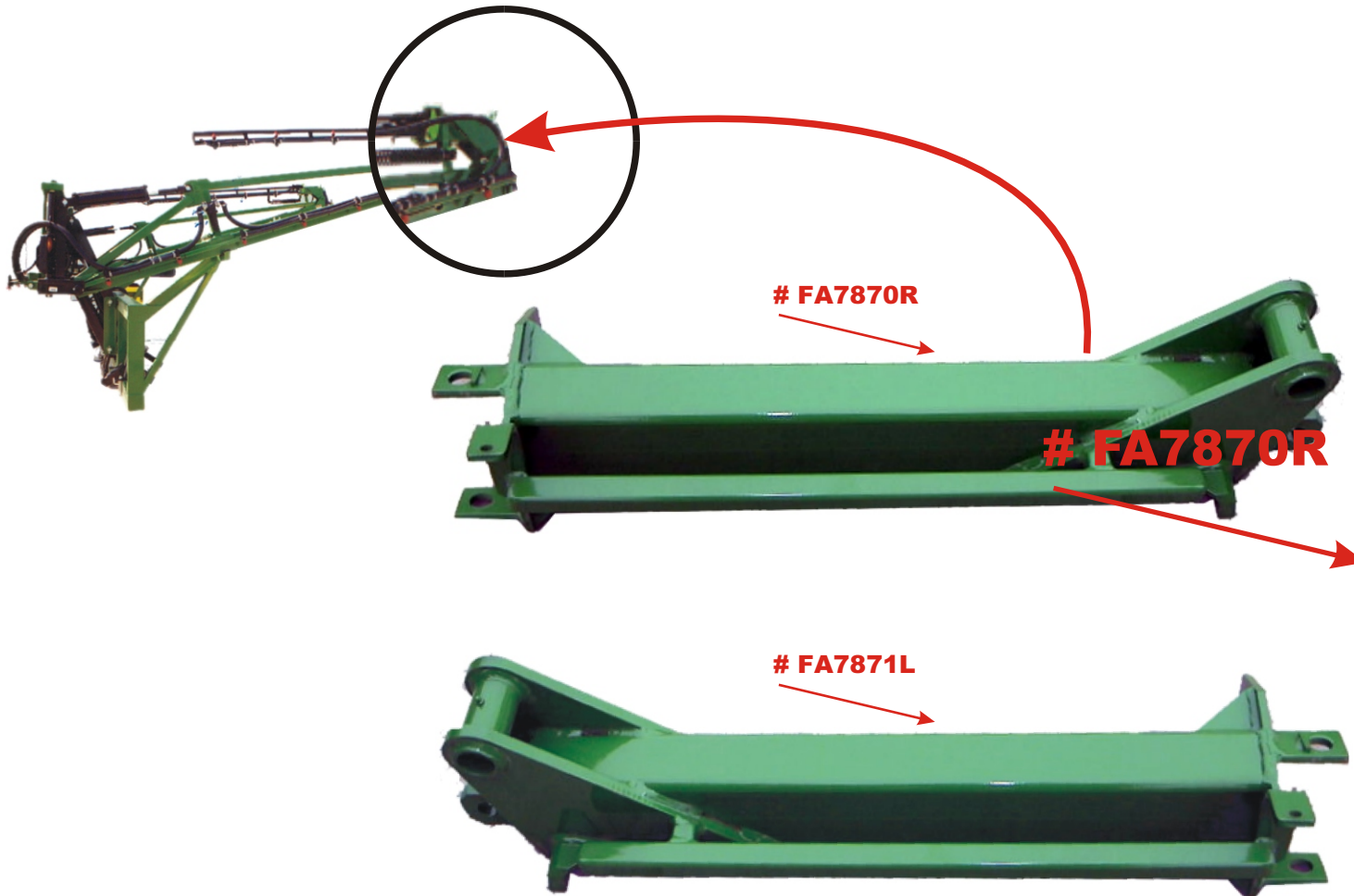


FA7869L

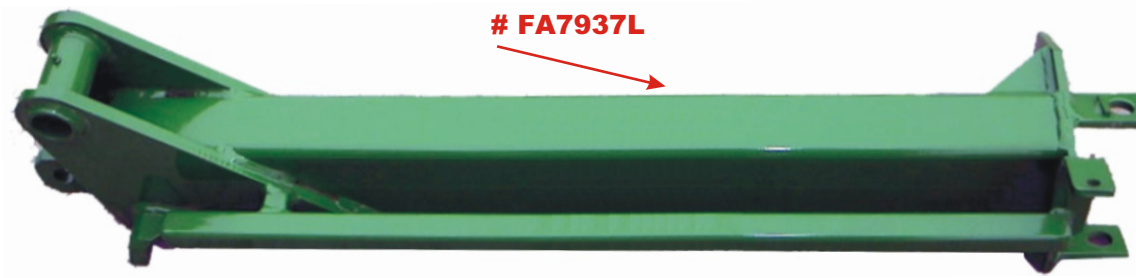
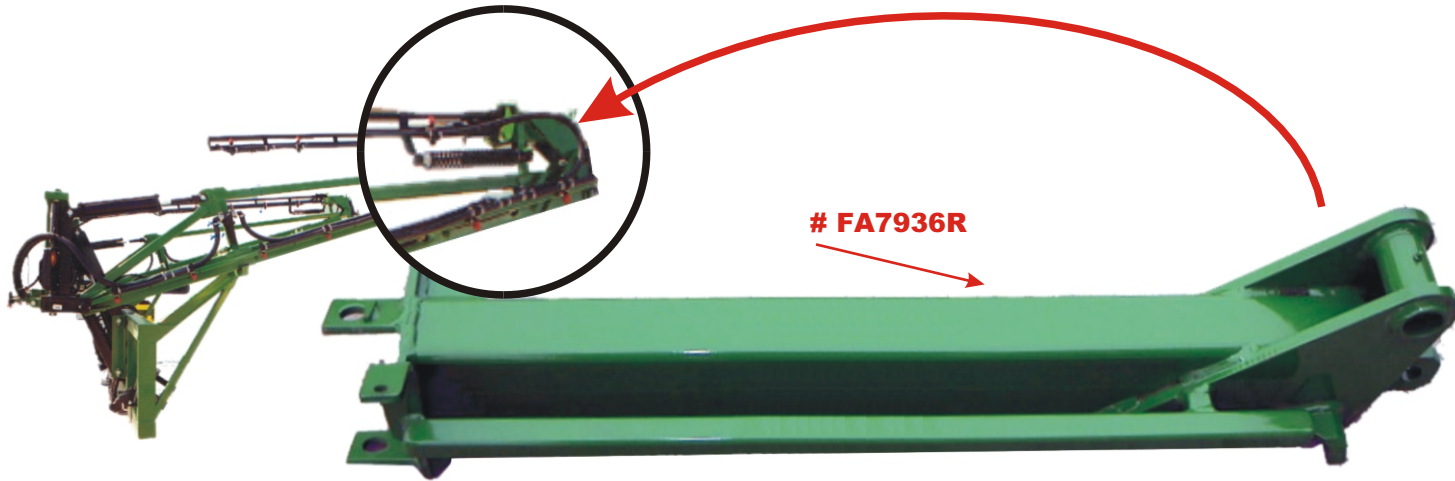
fast 80' To 90' Std. Main Wings



fast 60' Std. Flip Wings (20" Nozzle Spacing Starting 10" off center)



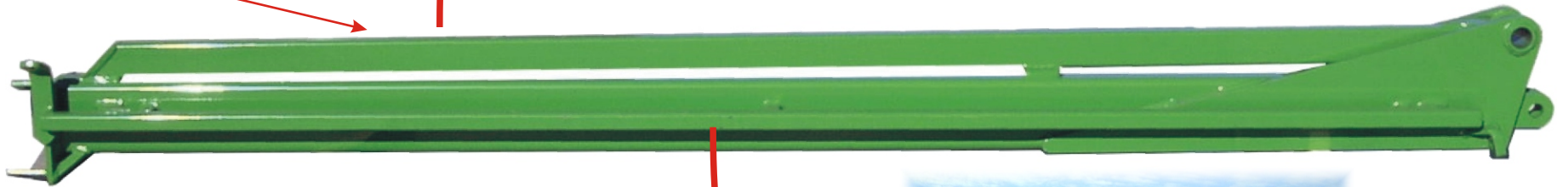
fast 60' Offset Flip Wings (15" and 20" Nozzle Spacing Starting in center)



fast 80' Std. Flip Wings (20" Nozzle Spacing Starting 10" off center)



FA7876R



FA7877L



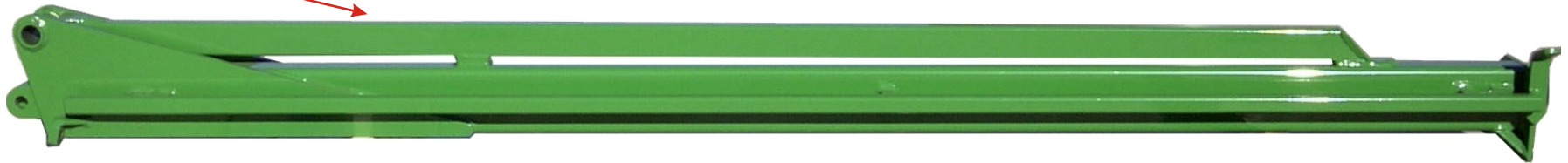
fast 80' Offset Flip Wings (15" and 20" Nozzle Spacing Starting in center)



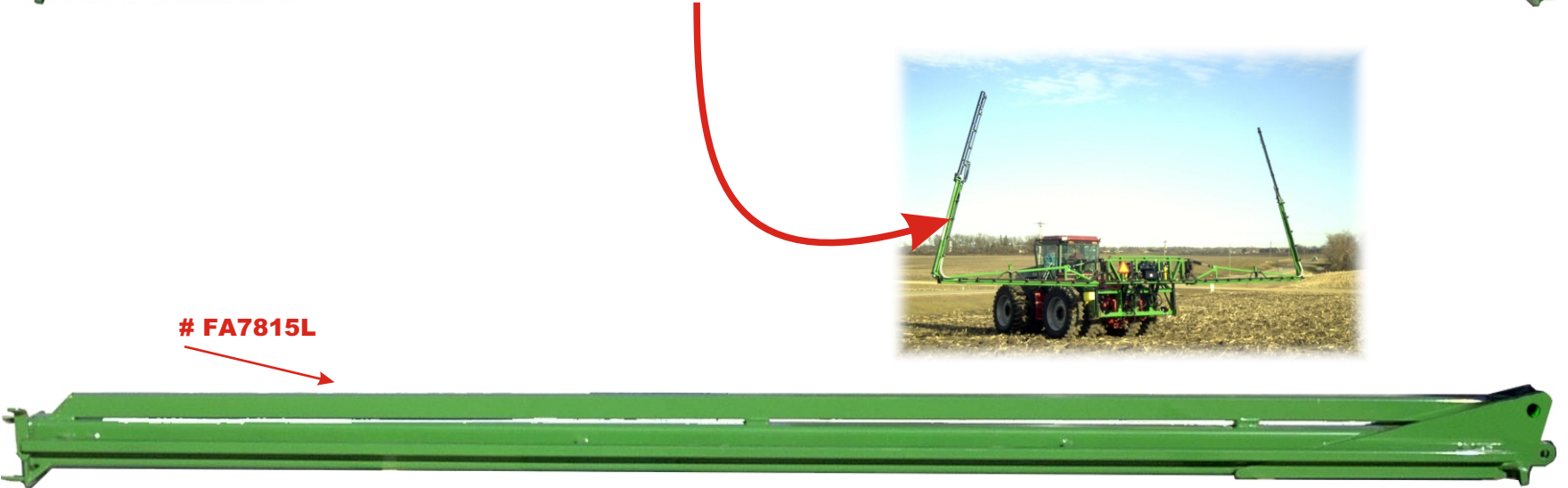
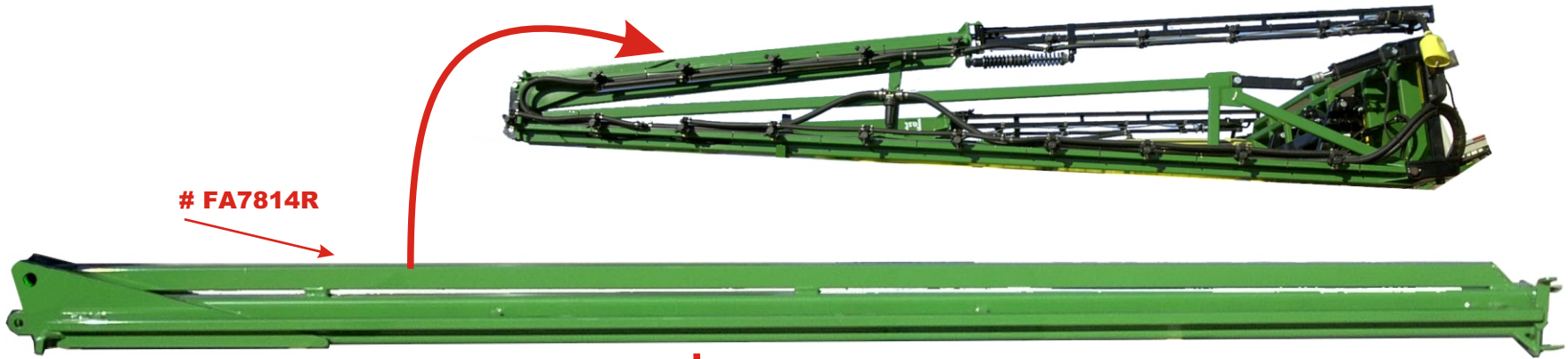
FA7940R



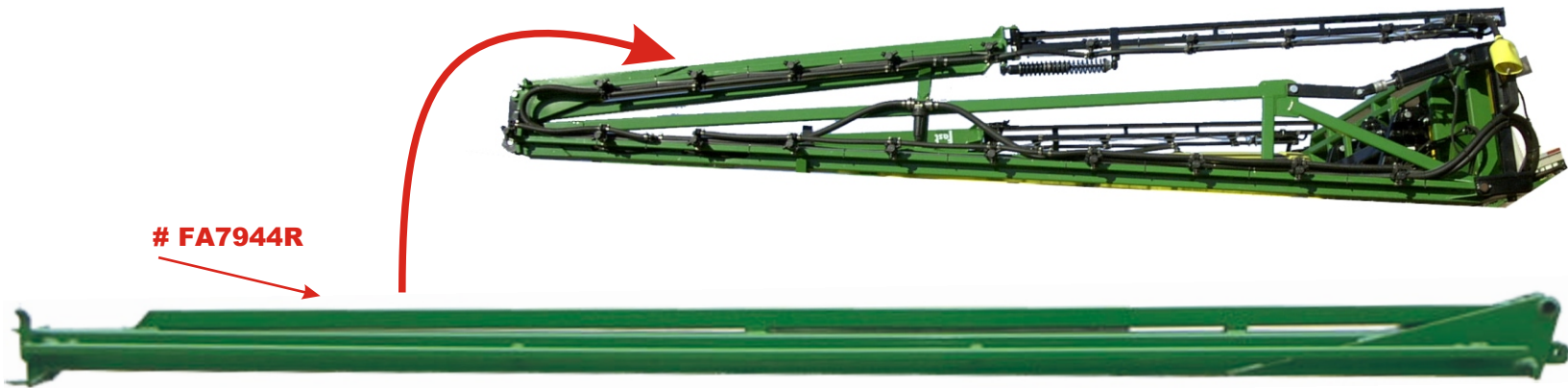
FA7941L



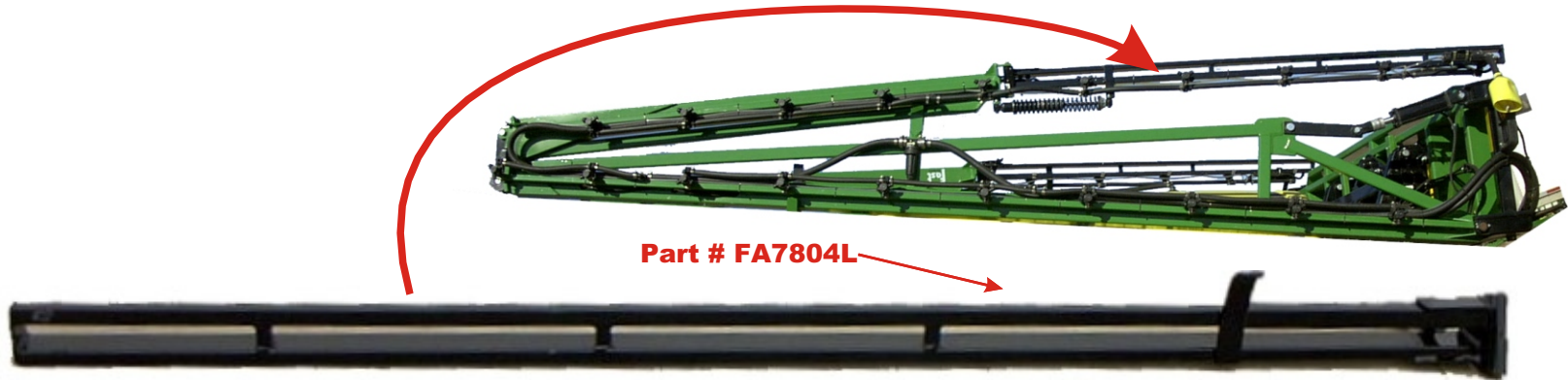
fast 90' Std. Flip Wings (20" Nozzle Spacing Starting 10" off center)



fast 90' Offset Flip Wings (15" and 20" Nozzle Spacing Starting in center)



fast 100" Breakaway all with sprayers



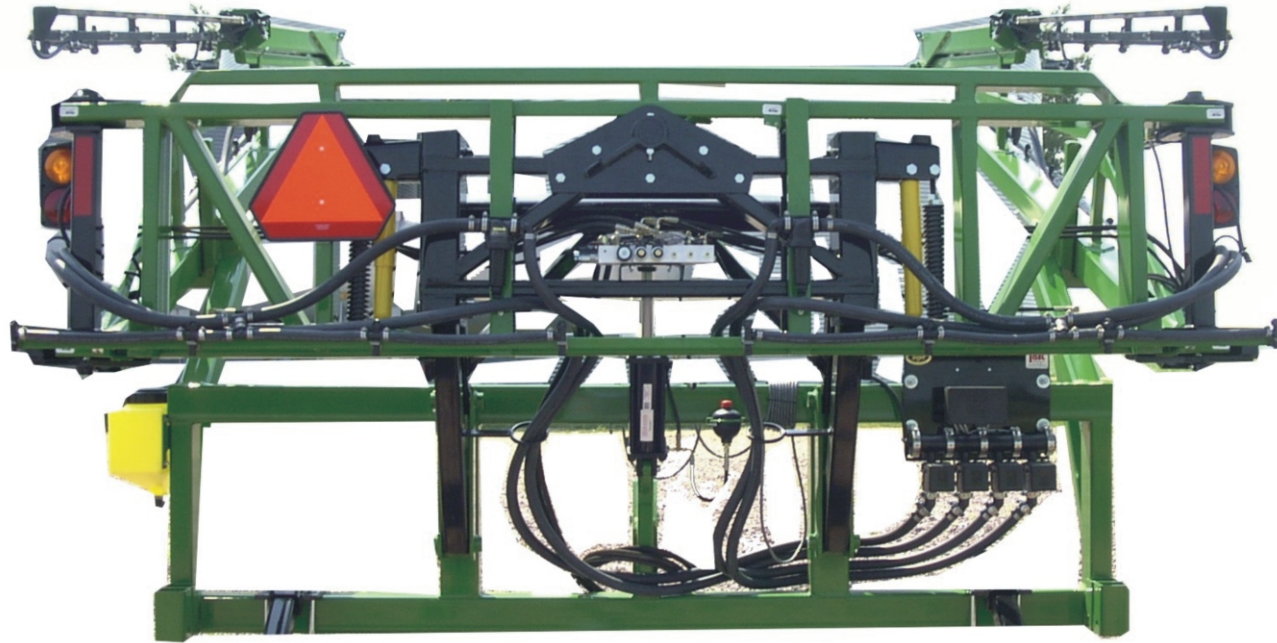
fast Breakaway Latch Assembly



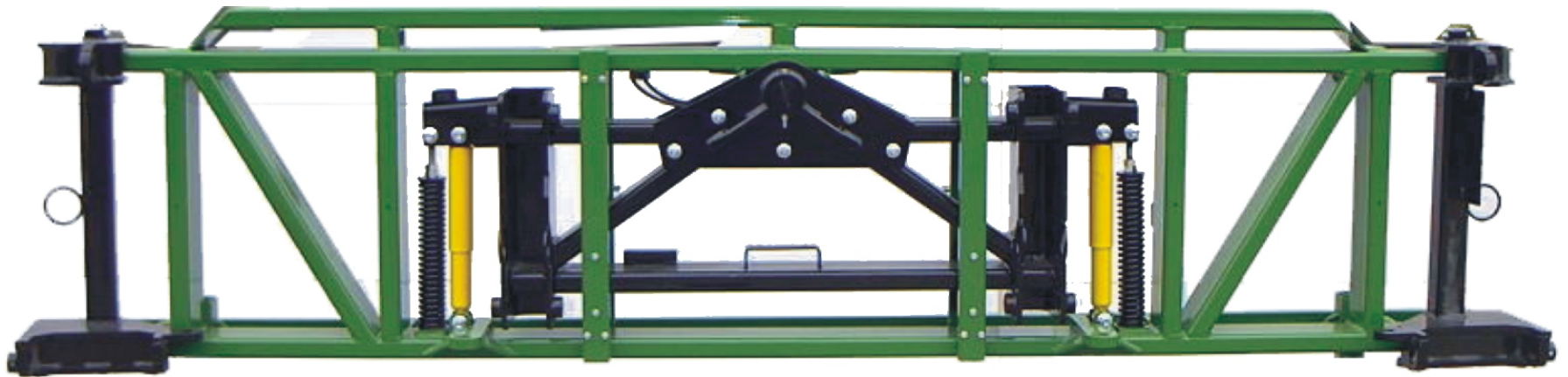
20

	Part #	Qty	Description
1	FA7689	1	LATCH TOP BREAKAWAY
2	FA7692	1	BREAKAWAY LATCH BASE WELDMENT
3	FA7693	1	BREAKAWAY LATCH SPACER
4	FA7694	1	LATCH SPRING
5	FA260	1	1/2" FLAT WASHER ZIP
6	160	1	A. BOLT
7	239	1	1/2" NUT CEN. LOCK

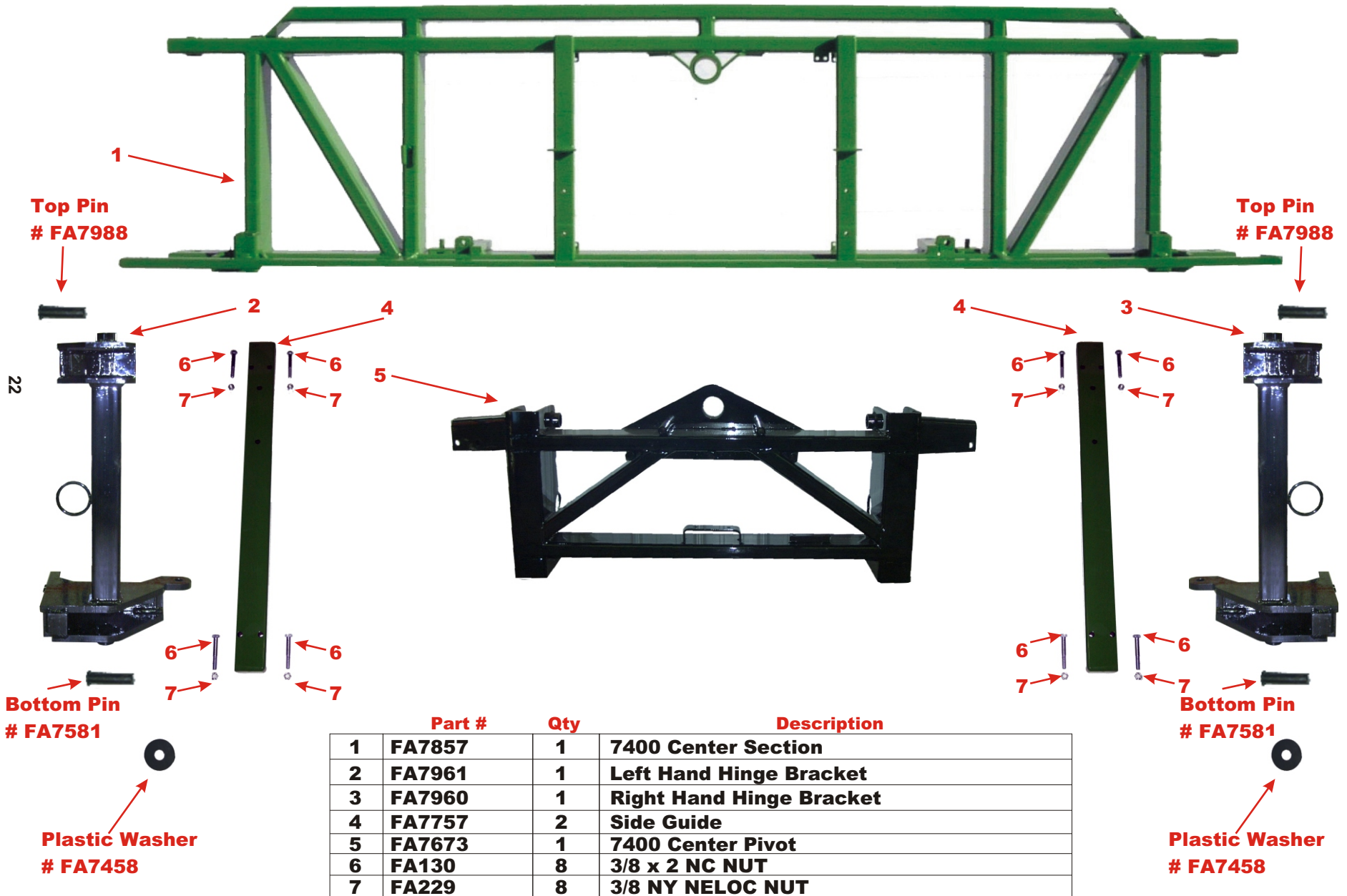
fast Center Section Complete



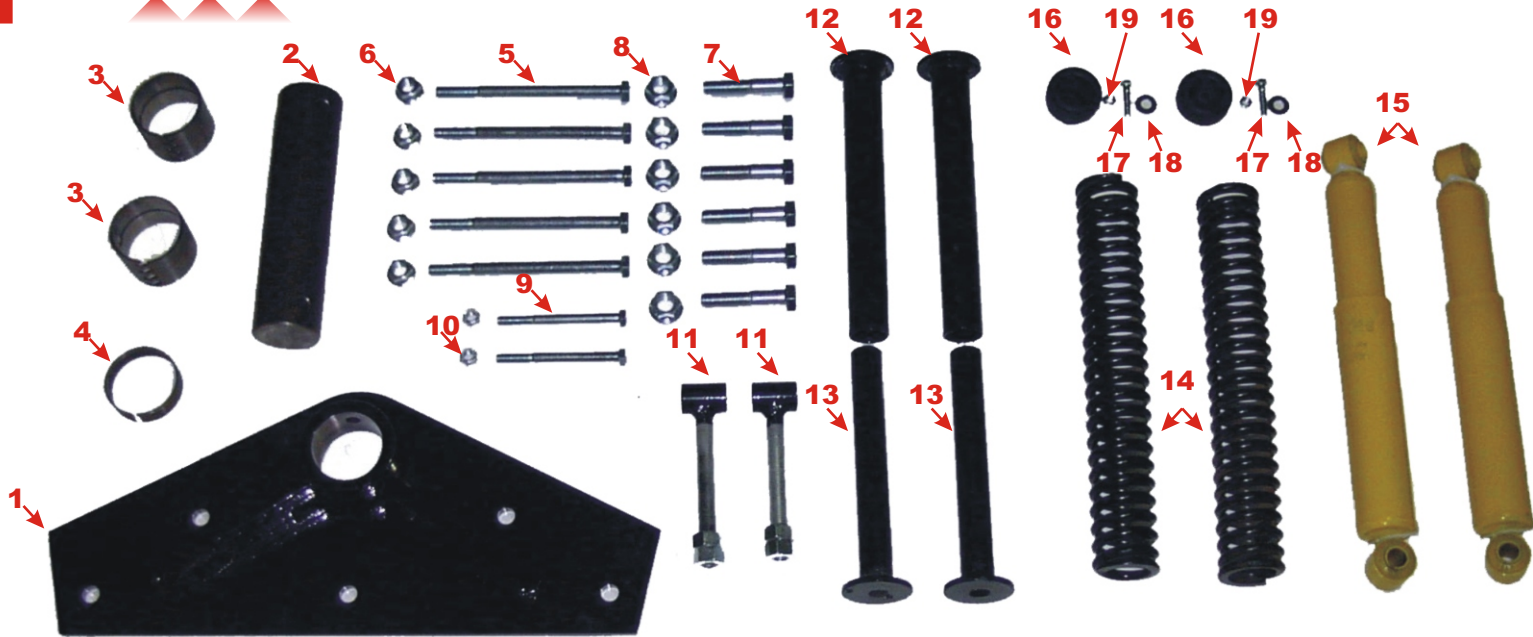
21



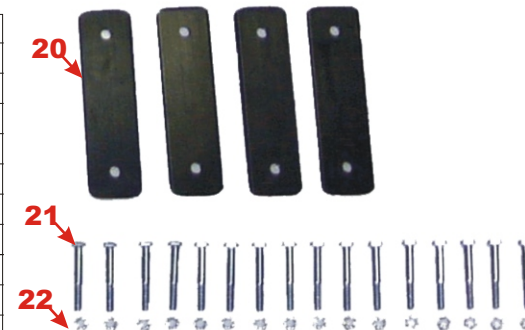
fast Center Section Large Parts



fast Center Section Small Parts



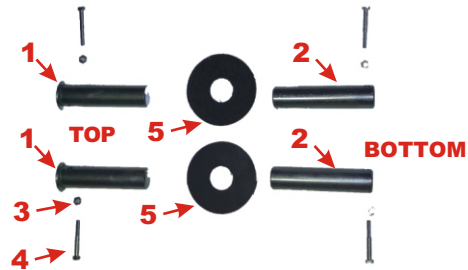
	Part #	Qty	Description
1	FA 7695	1	PIVOT PLATE
2	FA 7672	1	CENTER PIVOT PIN 2 3/4" x 11"
3	FA 4552	2	SPLIT BUSHING
4	FA 7709	1	PIVOT BUSHING CENTER SECTION
5	FA 182	5	BUILDING FASTENERS 5/8" X 8" BOLTS
6	FA 772	5	BUILDING FASTENERS 5/8" FLANGE NUTS
7	FA 187	6	BUILDING FASTENERS 3/4"-11 X 3 1/2" BOLTS
8	FA 773	6	BUILDING FASTENERS 3/4" FLANGE NUTS
9	FA 160	2	BUILDING FASTENERS 1/2"-11 X 5" BOLTS
10	FA 231	2	BUILDING FASTENERS 1/2"-11 NYLON LOCKNUTS
11	FA 7444	2	SPRING ADJUSTMENT EYE BOLT
12	FA 7442	2	OUTER SPRING MOUNT
13	FA 7439	2	BASE SPRING MOUNT
14	FV 0006656	2	FOX VALLEY SPRING
15	66833	2	PIONEER RIM & WHEEL SHOCK
16	B - 1	2	REDNECK RUBBER STOP
17	FA 129	2	BUILDING FASTNU 3/8" X 1 1/2" BOLTS
18	FA 258	2	BUILDING FASTNU 3/8" FLAT WASHER
19	FA 237	2	BUILDING FASTNU 3/8" CENTER LOCKNUTS
20	FA 7782	4	PLASTIC SLIDE INTERIOR PIVOT
21	FA 131	16	BUILDING FASTNU 3/8" X 2 1/2" - 13 LOTS
22	FA 229	16	BUILDING FASTNU 3/8"-11 NYLON LOCKNUTS



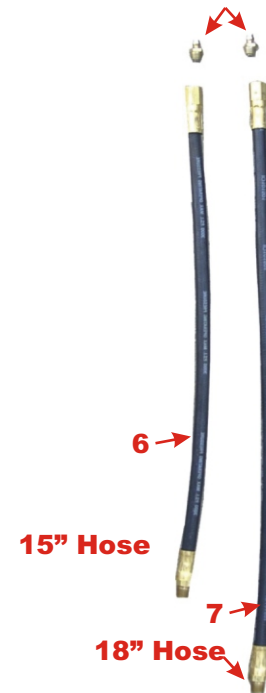
fast Center Section Small Parts

	Part #	Qty	Description
1	FA 4615	1	FDM3 Grease 2 MPG-2FPG
2	FA 4616	1	FDM3 Grease 2 MPG-2FPG
3	FA 7988	2	Top Pin
4	FA 7989	2	Bottom Pin
5	237	4	3/8" Lock Nut
6	131	4	3/8" x 2 1/2" Bolts
7	FA 7458	2	Wear Washer

Wing Pivot Pins Upper And lower With Wear Washer



1/8" Male Grease Zerk

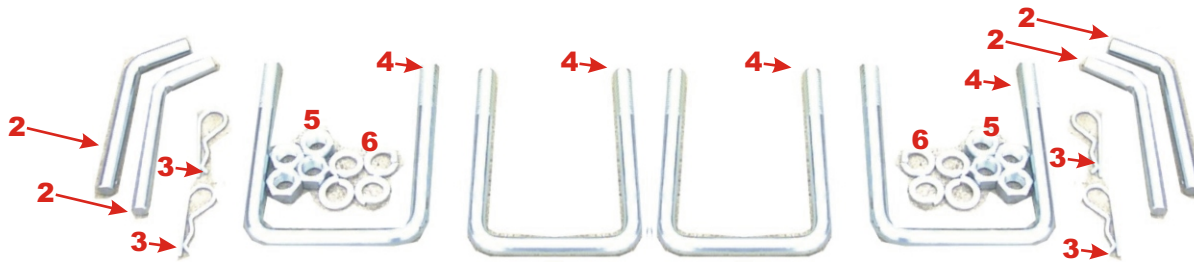
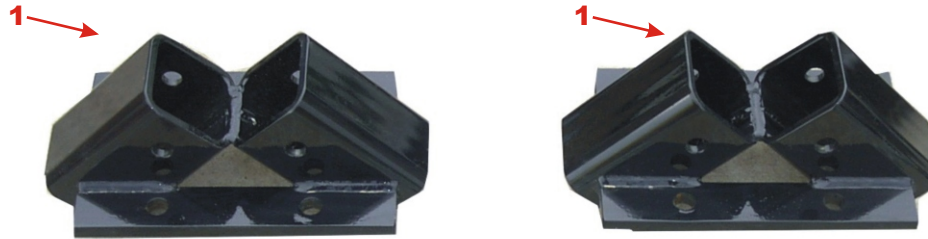


fast Parallel Link Pins



	Part #	Qty	Description
1	FA7581	8	Pins 1 1/2" x 6 1/2"
2	FA7131	8	Building Fastners 3/8" x 2 1/2" Bolts
3	FA7581	8	Building Fastners Center Locknuts

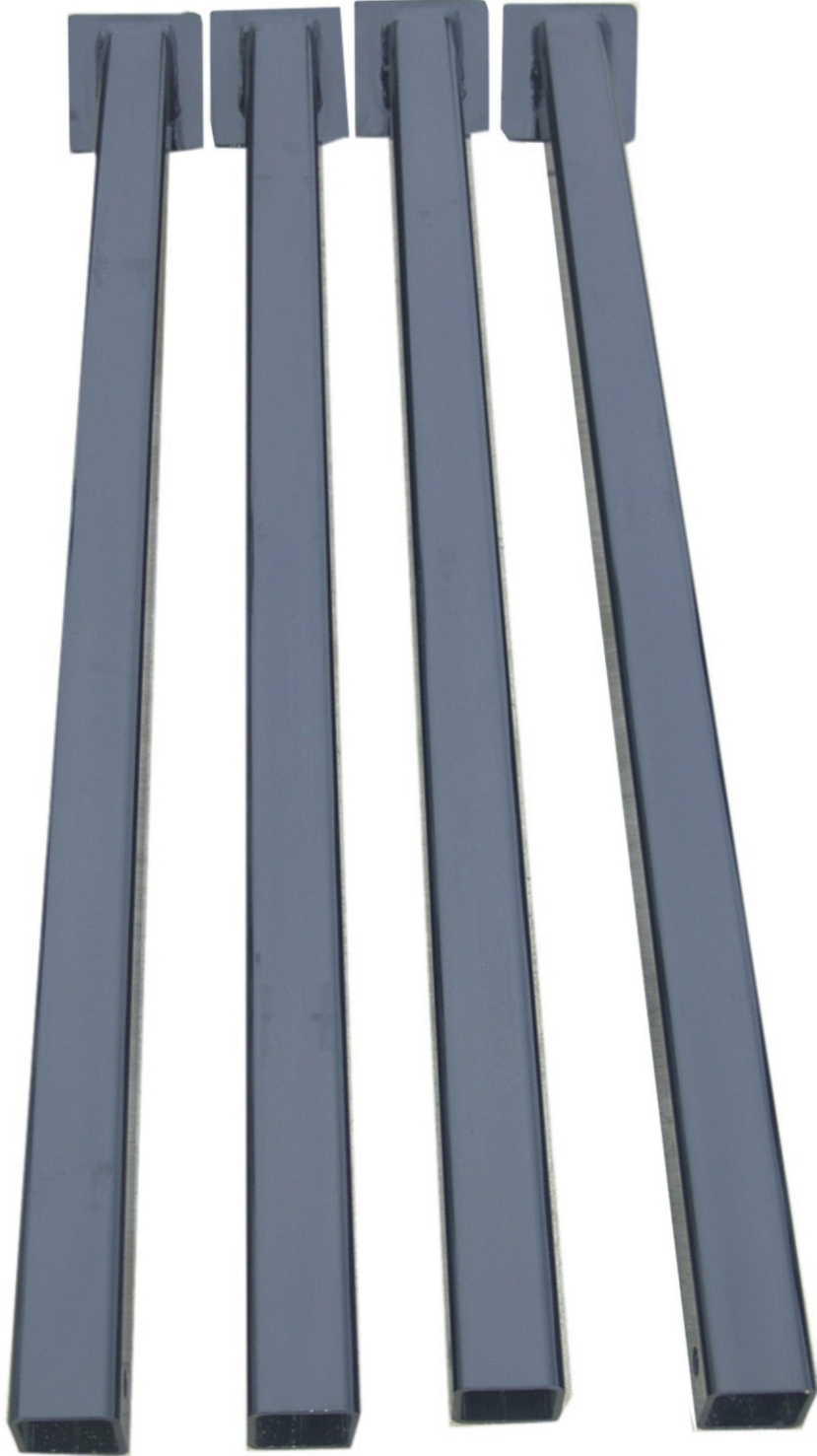
fast Storage Stand Brackets And Clamps



	Part #	Qty	Description
1	7270	2	Parking Stand Bracket 743P
2	1056	4	Pin Jack Stand
3	BP210	4	Hair Pin Clip
4	BF575	4	3/4" x 5"x7" U Bolt Course Thread
5	217	8	3/4" Course Nut
6	254	8	3/4" Lock Washer

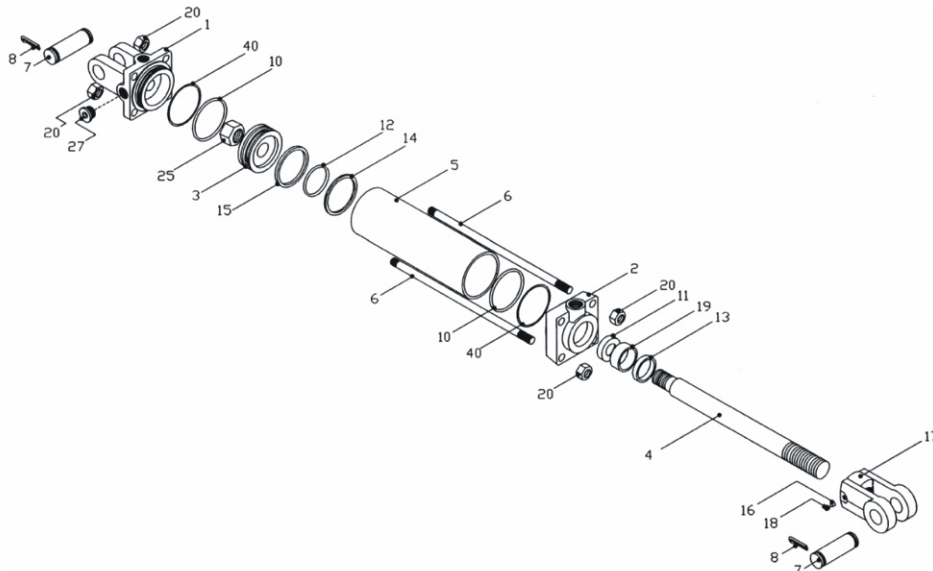
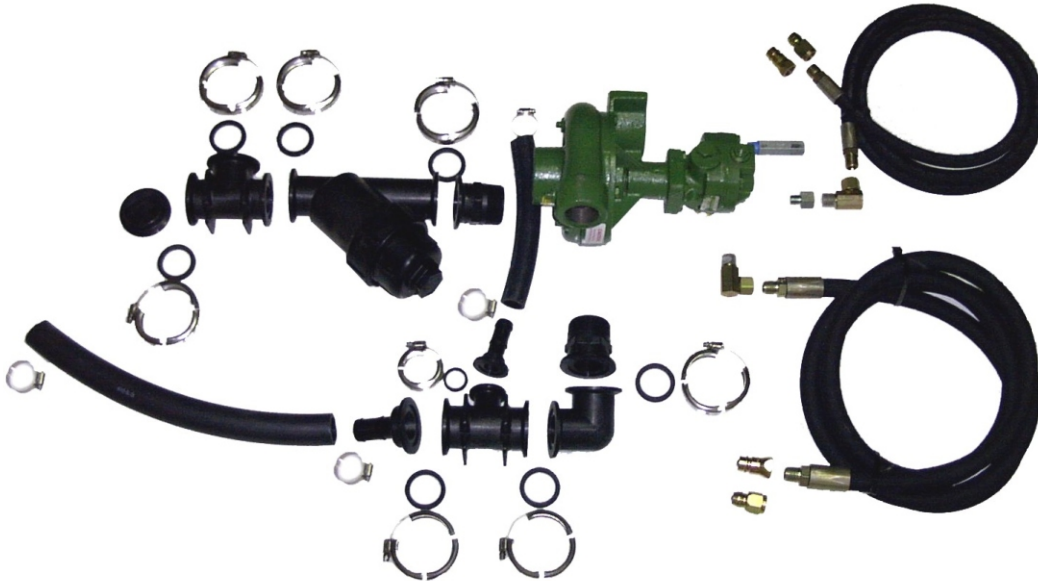
fast Parking Stands 743P

Part # Fa7272
Qty. 4

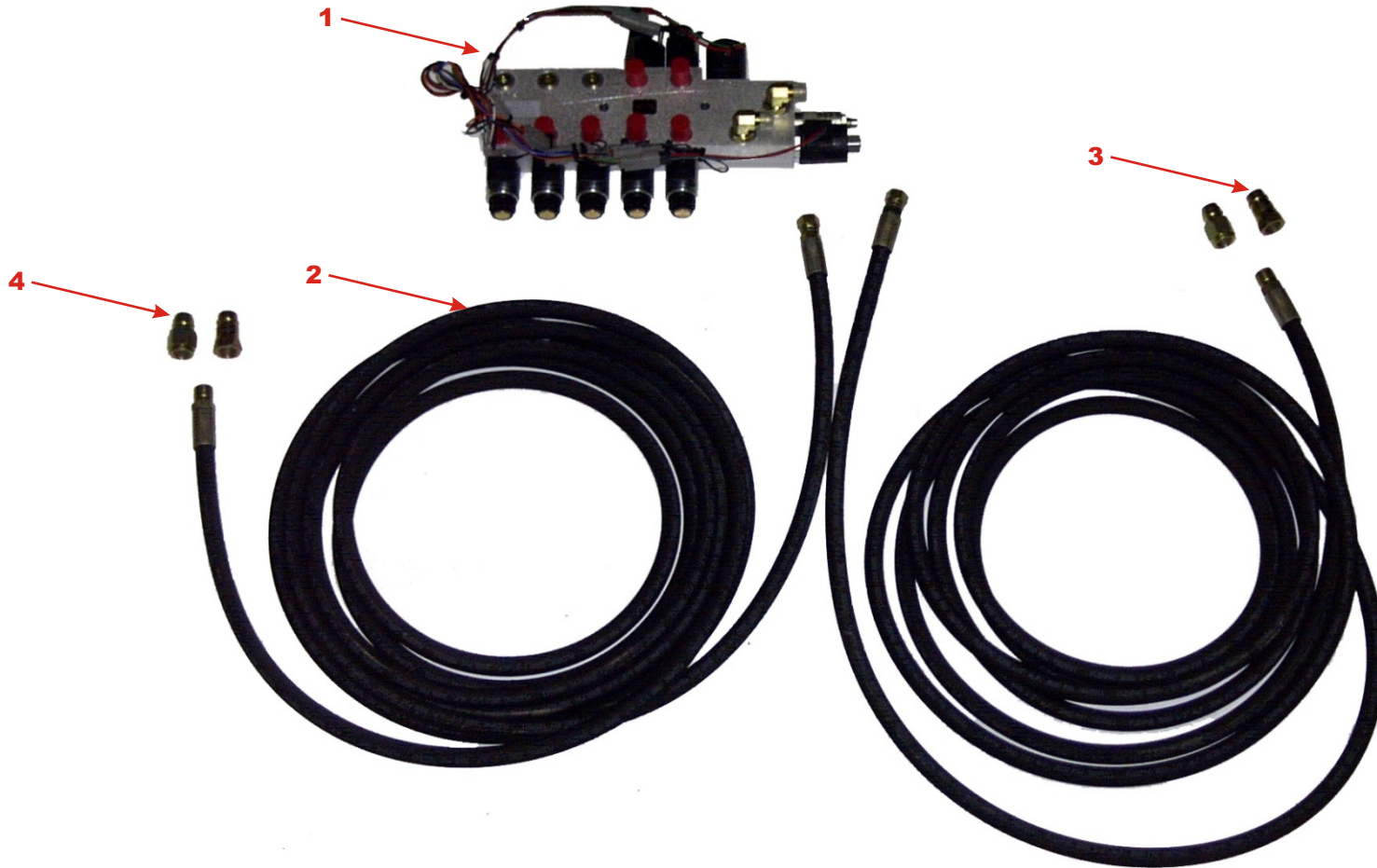


fast Section 2 - Hydraulic Systems

Main Hydraulic Hose & Hydraulic Valve Package	29
Fasse 7400 5-Function Cab Box	30
Fasse 7400 5-Function Hyd. Block	31
Fasse 7400 5-Station Block Parts	32
Fasse 7400 7 Cab Box 2001	33
(OPT) Fasse 7400 7-Function Cab Box	34
(OPT) Fasse 7400 7-Function Block Harness	35
(OPT) Fasse 7400 7-Function Hyd. Block	36
Main Center Lift Cylinder And Accumulator 60'80'90'	37
TD Series TIE-ROD Cylinders - 40TD10-150	38
Boom Wing Lift Hydraulic Package - 60' 80' 90'	39
Tie Rod Cylinders with PSP Seals - 30TD12-125	40
Boom Swing Hydraulic Package - 60' 80' 90'	41
TD Series Tie-Rod Cylinders 30TD16-150	42
Boom Flip Wing Package - 60' 80' 90'	43
80'-90'TD Series Tie-Rod Cylinders 30TD16-150	44
60' TD Series Tie-Rod Cylinders - 25TD16-125	45



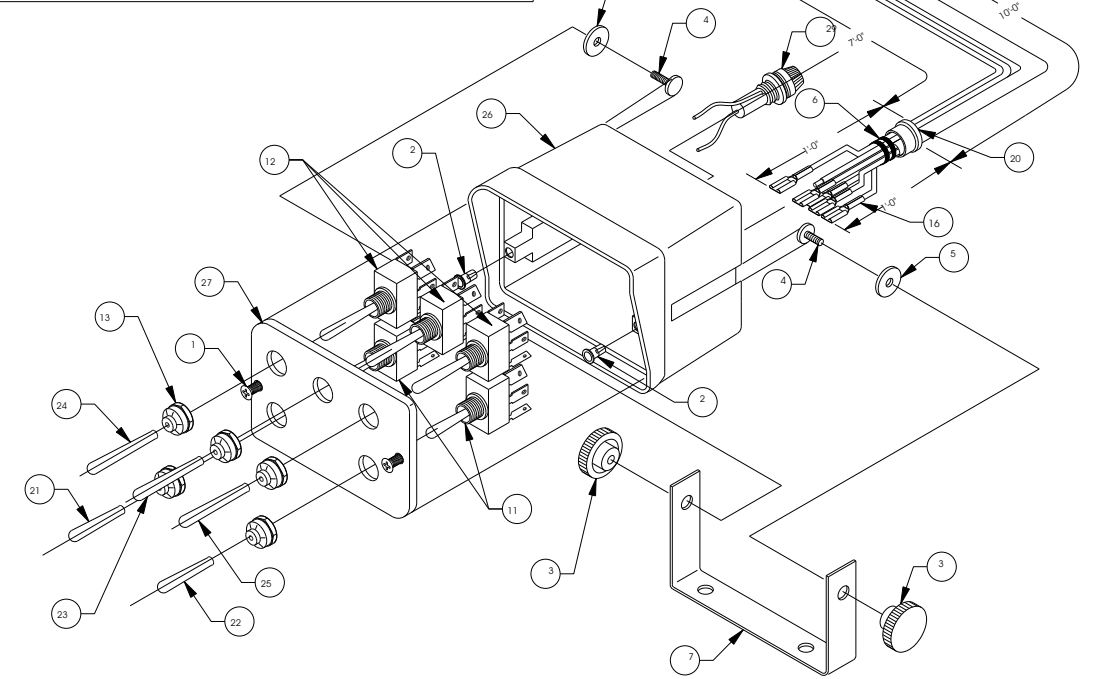
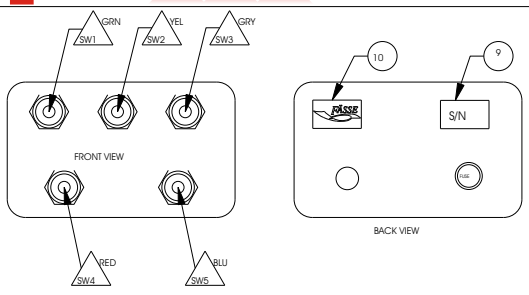
fast Main Hydraulic Hose & Hydraulic Valve Package



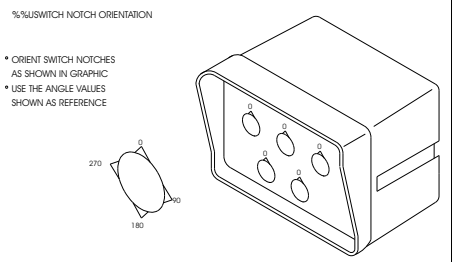
29

	Part #	Qty	Description
1	FASS-302846	1	Valve Body
2	FA-PA-4614	2	FDM8FLXP3-8FJX-8MP 13 Lock HOSE144"
3	BI-8010-4	2	Burns IND. Tips ISO
4	BI-5060-4	2	Burns IND. Tapper Tips JD

fast Fasse 7400 5-Function Cab Box



PARTS LIST			
N.º	PART NUMBER	QTY	PART DESCRIPTION
1	212-184	2	SCREW 6-32 X 3/8 OVAL HD BLK
2	212-202	2	INSERT 6-32X3/8 BRASS
3	212-215	2	KNOB 1/4-20 FEMALE
4	212-231	2	SCREW WELDED 1/4-20 X .500
5	213-335	2	WASHER NYLON .257X.875X.060
6	214-002	3	CABLE TIE BLACK 7"
7	219-300	1	BRKT HSG MONITOR
8	230-057	1	BAG POLY CLR 14 X 18 2ML W/LOGO
9	232-050	2	DECL S/N (SILVER)
10	232-059	1	DECL GOLD/BLK 1.5 X .5
11	250-007	2	SW TOG DPDT 3P MOM SHORT
12	250-013	3	SW TOG DPDT 3P MOM LONG
13	250-023	5	SW TOG BOOT OPN GRY
14	254-001	1	DIODE D116A2 6AMP
15	255-002	20	TRM T-PAP F PO BLU
16	255-006	10	TRM PO F NON INS 20/18GA
17	255-030	7	TRM SPLICE CLOSED END
18	255-070	2	TRM PO M/F 14-16GA
19	255-285	3	TRM SPLICE CLOSED END LRG
20	259-002	1	GROMMET .625 OD SNAP
21	259-005	1	SW TOG GRIP VINYL RED .187
22	259-015	1	SW TOG GRIP VINYL BLU .187
23	259-022	1	SW TOG GRIP VINYL YEL .187
24	259-023	1	SW TOG GRIP VINYL GRN .187
25	259-027	1	SW TOG GRIP VINYL GRY .187
26	304-387	1	ENCL DRL MNTN-1X5/BG 1X7 FUSEHLD
27	311-083	1	ENCL FP DRL MNTN/FD DECL-SX15/32 3SA
28	314-217	1	HARNSS R/W WIRE SERIES 3 P/W
29	319-769	1	FUSEHOLDER PM ASSY 10A /5'
30	320-167	1	HARNSS 12CON 12PN(12) DR/11'



- NOTES:
1. USE 2 CABLE TIES TO SECURE CABLES
 2. USE 1 CABLE TIE TO COIL UP HARNSS
 3. NOT SHOWN:
 4. CUT 21 & 22 TO FIT ON SW BAT.

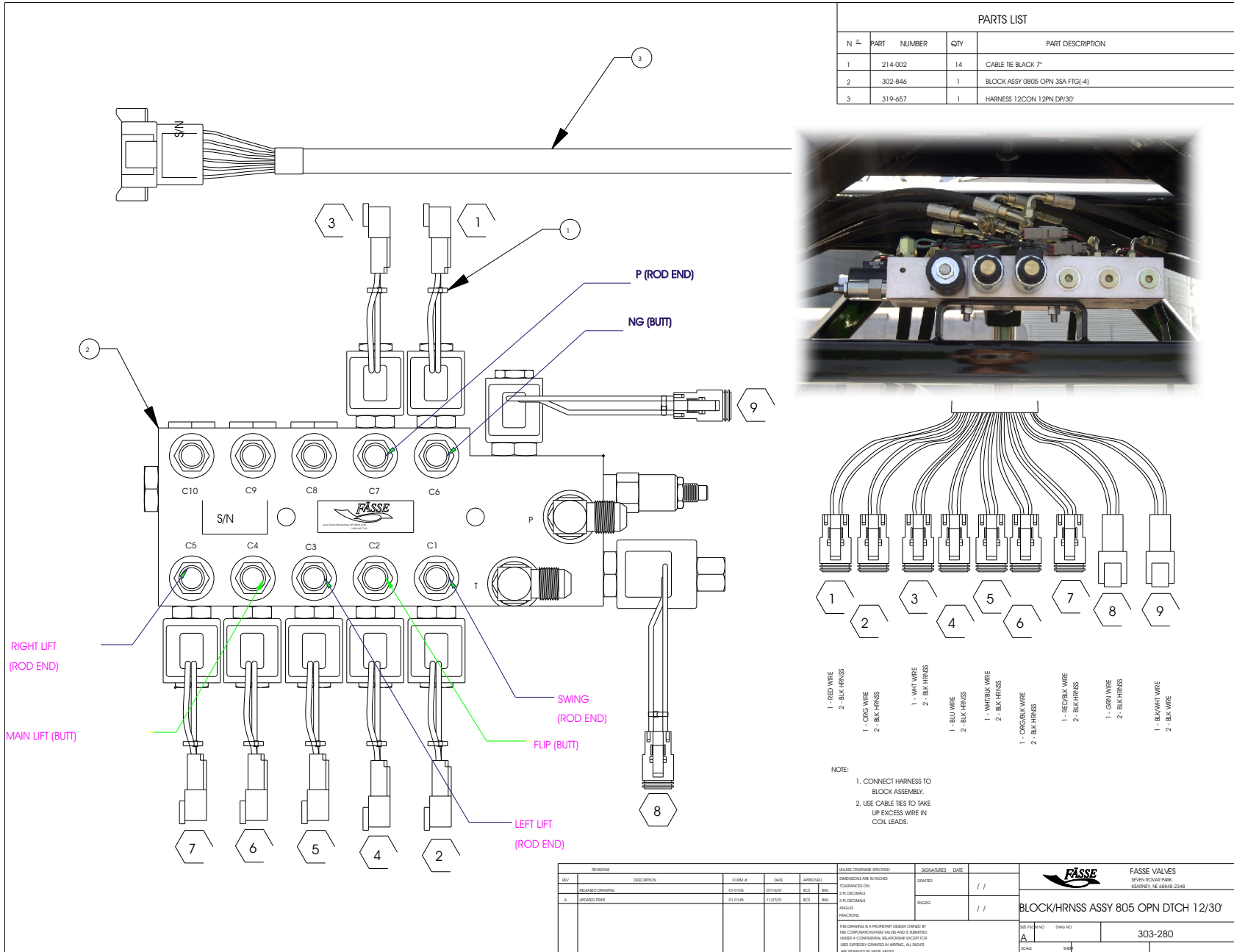
REV	DESCRIPTION	DATE	BY	CHKD	APP'D	DESIGNED BY	CHECKED BY	DATE	SCALE
01	ISSUED	01/10/08	011/081	011	011	JPL	JPL	01/10/08	1:1
02	REVISED DRAWING					JPL	JPL		1:1

DESIGNED BY	JPL	CHECKED BY	JPL	DATE	01/10/08
SCALE	1:1	APP'D		SIGNATURES	

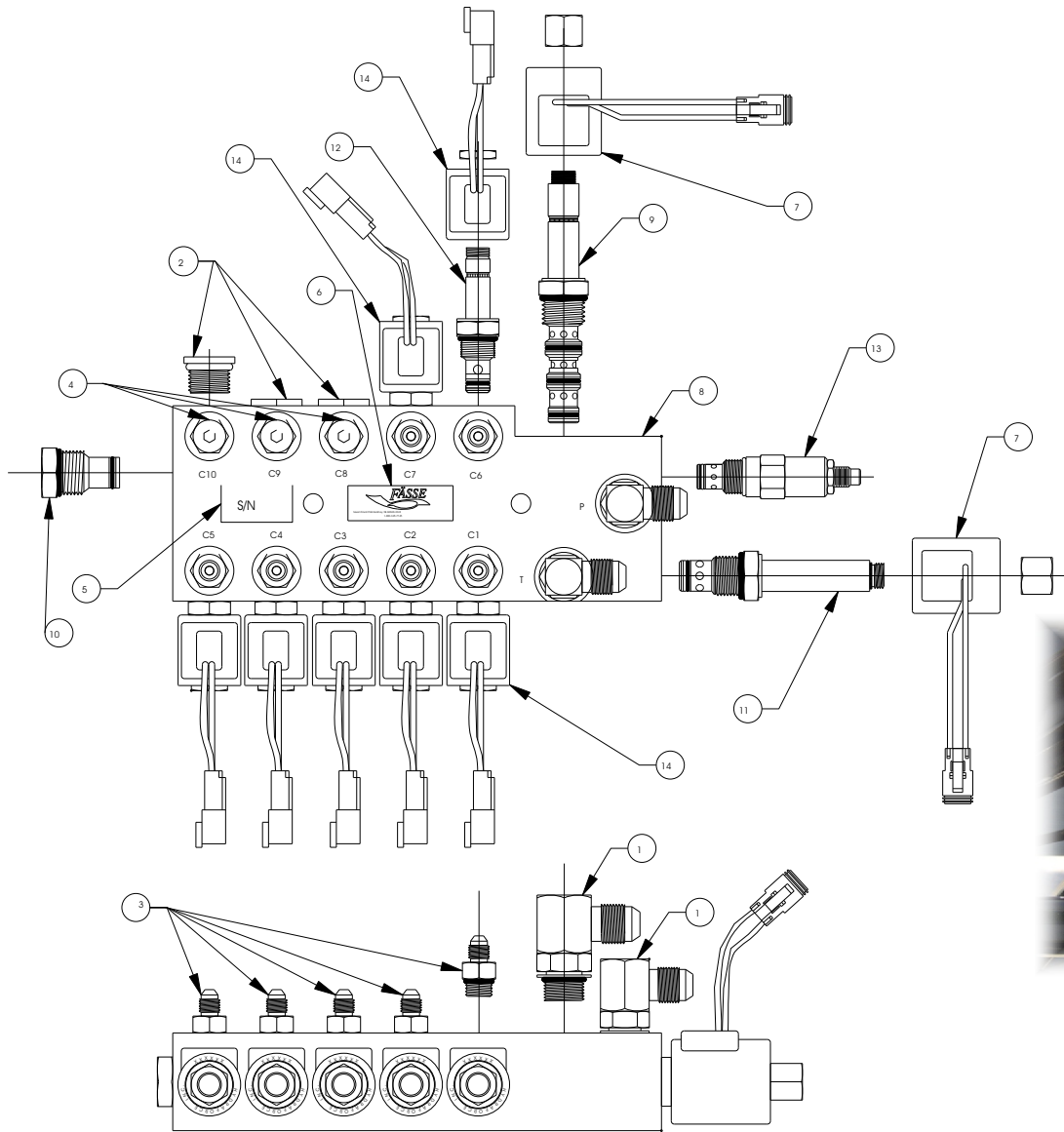
FAST DRAWINGS IS A PROPRIETARY DESIGN OWNED BY FASSE VALVES. ALL RIGHTS ARE RESERVED BY FASSE VALVES.	<p>FASSE VALVES SEVEN RIVIER PARK REARNEY TIE 48848-2048</p>		
REV	NO	DATE	NO
A			312-944

fast Fasse 7400 5-Function Hyd. Block

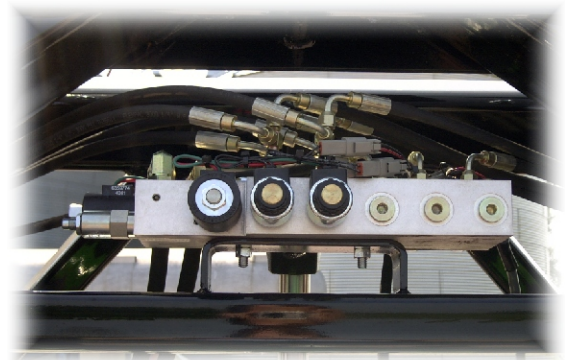
31



fast Fasse 7400 5-Station Block Parts



PARTS LIST				
N. #	PART NUMBER	QTY	PART DESCRIPTION	
1	210-017	2	FIG 6801-8-8/E-MJ-MO	
2	210-038	3	FIG 6408-HHP-8HOLL HEX PLUG MO	
3	210-113	7	FIG 6400-4-6/S-MJ-MO	
4	210-127	3	FIG 6408-HHP-6HOLL HEX PLUG MO	
5	232-050	2	DECL S/N (SILVER)	
6	232-059	1	DECL GOLD/BLK 1.5 x .5	
7	253-037	2	COIL HF 6359774 DT	
8	270-090	1	BLOCK M14153-2	
9	273-008	1	CART SV10-40-0-N-00	
10	273-012	1	CART CP10-20	
11	273-017	1	CART SV10-21-0-N-00	
12	273-077	7	CART HYDAC WS 08W-01-C-N-0	
13	273-994	1	CART RV10-22A-0-N-NC-3S-2S	
14	319-037	7	COIL 302244 HYDAC D1CH FP	



- NOTES:
1. TORQUE -06 HFCART TO 15 FT. LBS.
 2. TORQUE -08 HFCART TO 20 FT. LBS.
 3. TORQUE -10 HFCART TO 25 FT. LBS.
 4. TORQUE COIL NUTS TO 5 FT. LBS.

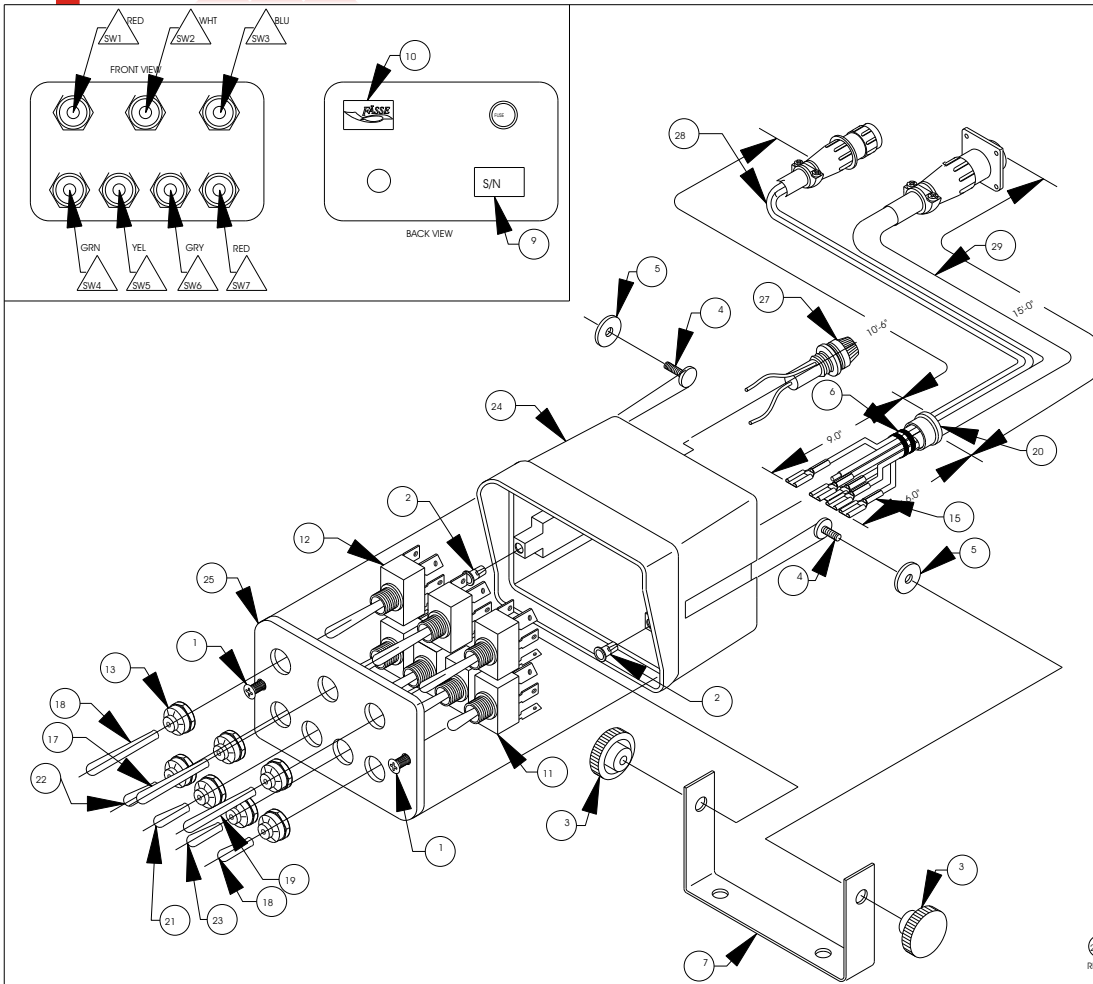
REV	REVISION	DESCRIPTION	JOB# #	DATE	APPROVED	DESIGNER	DATE	DRWG NO
		RELEASED DRAWING	01-000A	07/16/01	BCS	BRG		
A		REPLACED (1) 319-038 W/ (1) 319-040	01-010F	07/20/01	BCS	BRG		
B		REPLACED (7) 319-037 W/ 319-037 (3) 319-038 W/ 319-037 & ASSEMBLED (7) 017	01-0131	08/01/01	BCS	BRG		
C		REPLACED (5) 210-113 W/ 210-127 REPLACED 319-050 W/ 319-047 BRANDNEW ALL 300-085	01-0131	11/08/01	BCS	BRG		

DESIGNER	DATE	DRWG NO	SCALE
BCS		302-846	1:1

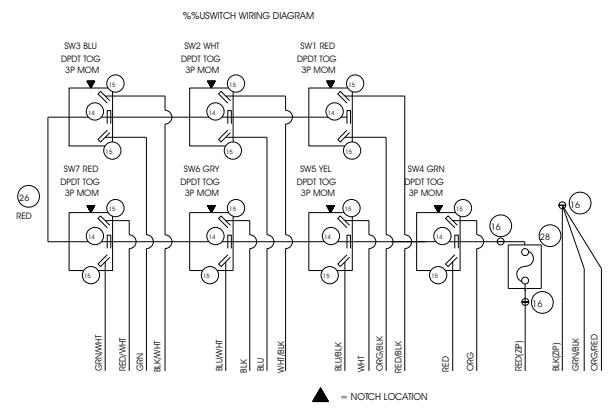

FASSE VALVES
 SILVER SCHWAB PARK
 KEARNEY NE 68848-2348
BLOCK ASSY 0805 OPN 3SA FTG(-4)

fast Fasse 7400 7 Cab Box 2001

33

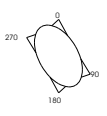


PARTS LIST				
N.º	PART NUMBER	QTY	PART DESCRIPTION	
1	212-184	2	SCREW 6-32 X 3/8 OVAL HD BLK	
2	212-202	2	INSERT 6-32X3/8 BRASS	
3	212-215	2	KNOB 1/4-20 FEMALE	
4	212-231	2	SCREW WELDED 1/4-20 X .500	
5	213-335	2	WASHER NYLON .257X.875X.060	
6	214-002	3	CABLE TIE BLACK 7"	
7	219-300	1	BRKT HSNQ MONITOR	
8	230-057	1	BAG POLY CLR 1.4 X 1.8 2MIL W/LOGO	
9	232-050	2	DECL SN (SILVER)	
10	232-059	1	DECL GOLDBLK 1.5 X .5	
11	250-007	4	SW TOG DPDT 3P MOM SHORT	
12	250-013	3	SW TOG DPDT 3P MOM LONG	
13	250-023	7	SW TOG BOOT OPN GRN	
14	255-002	7	TRM T-TAP F PO BLU	
15	255-006	15	TRM PO F NON INS 20/18GA	
16	255-030	3	TRM SPLICE CLOSED END	
17	259-004	1	SW TOG GRP VINYL WHT .187	
18	259-005	2	SW TOG GRP VINYL RED .187	
19	259-015	1	SW TOG GRP VINYL BLU .187	
20	259-021	1	GROMMET A870D SNAP	
21	259-022	1	SW TOG GRP VINYL YEL .187	
22	259-023	1	SW TOG GRP VINYL GRN .187	
23	259-027	1	SW TOG GRP VINYL GRY .187	
24	304-400	1	ENCL DRL MNTR FUSEHOLDER	
25	314-262	1	ENCL FP DRL MNTR/FD DECL-7X15/32SW	
26	319-609	1	HARNSS 1 CON 18GA RED /1.75"	
27	319-769	1	FUSEHOLDER PM ASSY 10A /.5"	
28	320-054	1	HARNSS R/WB SERIES 3 P /1.1"	
29	320-055	1	HARNSS 19CON 16 PN/1.6F /1.5"	



%USWITCH NOTCH ORIENTATION

- * ORIENT SWITCH NOTCHES AS SHOWN IN GRAPHIC
- * USE THE ANGLE VALUES SHOWN AS REFERENCE



NOTES:

1. USE 2 CABLE TIES TO SECURE CABLES TO COIL UP HARNESS
2. USE 1 CABLE TIE TO COIL UP HARNESS
3. CUT OFF WHT/RED, BLK/RED, & BLU/RED AT EDGE OF HARNESS
4. NOT SHOWN: (8) (14)
5. FACE PLATE SHOWN WITHOUT DECAL.
6. CUT TOG BOOTS FOR SW4-SW7 TO FIT.

REV	REVISION	DESCRIPTION	FORM #	DATE	APPROVED	UNLESS OTHERWISE SPECIFIED DIMENSIONS ARE IN INCHES	DESIGNED	DATE
A	DESIGNED DRAWING			02/29/01	AMM	FRACINGS		
B	REV 355-008 FROM 0 TO 1000			05/05/01	AMM	FRACINGS		
C	REV 355-008 FROM 18 TO 21			09/03/01	AMM	FRACINGS		
D	REV 355-008 FROM 25 TO 100			05/05/01	AMM	FRACINGS		
E	REV 355-008 FROM 100 TO 200			05/05/01	AMM	FRACINGS		
F	REV 355-008 FROM 200 TO 300			05/05/01	AMM	FRACINGS		
G	REV 355-008 FROM 300 TO 400			05/05/01	AMM	FRACINGS		
H	REV 355-008 FROM 400 TO 500			05/05/01	AMM	FRACINGS		
I	REV 355-008 FROM 500 TO 600			05/05/01	AMM	FRACINGS		
J	REV 355-008 FROM 600 TO 700			05/05/01	AMM	FRACINGS		
K	REV 355-008 FROM 700 TO 800			05/05/01	AMM	FRACINGS		
L	REV 355-008 FROM 800 TO 900			05/05/01	AMM	FRACINGS		
M	REV 355-008 FROM 900 TO 1000			05/05/01	AMM	FRACINGS		

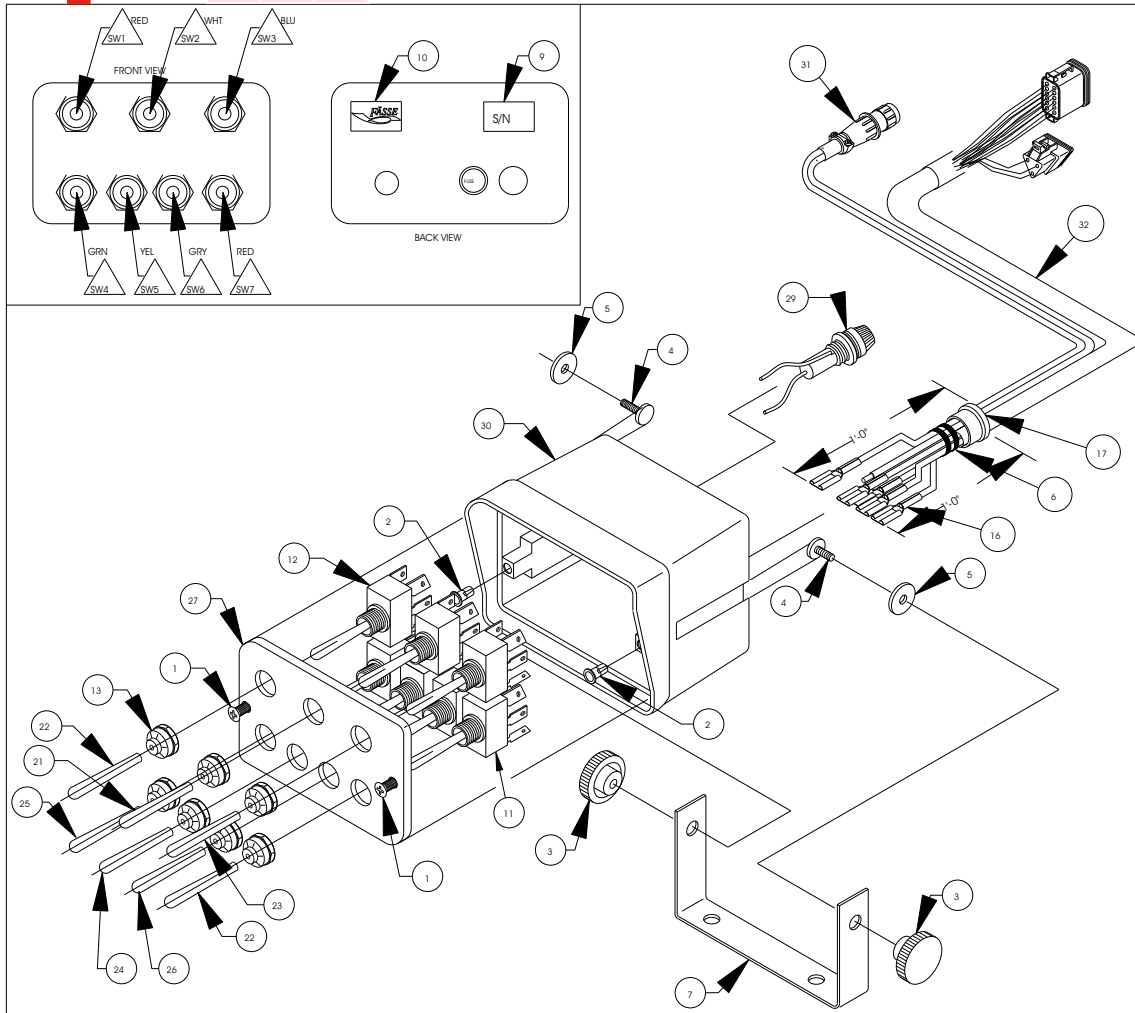


FASSE VALVES
SEVEN RICHARD PARK
KENNEDY, NE 68404-2348

MNTR ASSY FD 7C WING CNTRL

314-232

fast (OPT) Fasse 7400 7-Function Cab Box

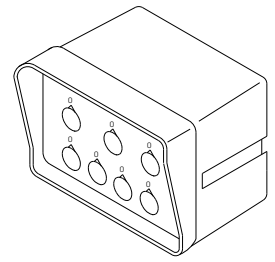
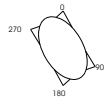


PARTS LIST				
N. #	PART NUMBER	QTY	PART DESCRIPTION	
1	212-184	2	SCREW 6-32 X 3/8 OVAL HD BLK	
2	212-202	2	INSERT 6-32X3/8 BRASS	
3	212-215	2	KNOB 1/4-20 FEMALE	
4	212-231	2	SCREW WELDED 1/4-20 X .500	
5	213-335	2	WASHER NYLON .257X.875X.060	
6	214-002	6	CABLE TIE BLACK 7"	
7	219-300	1	BRKT HSNIG MONITOR	
8	230-057	1	BAG POLY CLR 14 X 18 2ML W/LOGO	
9	232-050	2	DECL S/N (SILVER)	
10	232-059	1	DECL GOLD/BLK 1.5 X .5	
11	250-007	4	SW TOG DPDT 3P MOM SHORT	
12	250-013	3	SW TOG DPDT 3P MOM LONG	
13	250-023	7	SW TOG BOOT OPN GRN	
14	254-001	1	DIODE D116A2 6AMP	
15	255-002	26	TRM T-PP F PO BLU	
16	255-006	16	TRM PO F INS 22-18GA	
17	255-021	1	GROMMET .687OD SNAP	
18	255-030	2	TRM SPLICE CLOSED END	
19	255-070	5	TRM PO M/F 16-14GA	
20	255-285	1	TRM SPLICE CLOSED END LRG	
21	259-004	1	SW TOG GRP VNYL WHT .187	
22	259-006	2	SW TOG GRP VNYL RED .187	
23	259-015	1	SW TOG GRP VNYL BLU .187	
24	259-022	1	SW TOG GRP VNYL YEL .187	
25	259-023	1	SW TOG GRP VNYL GRN .187	
26	259-027	1	SW TOG GRP VNYL GRY .187	
27	314-262	1	ENCL FP DRL MNTR/FD DECL-7X15/32SW	
28	319-609	1	HARNSS 1CON 18GA RED/1.75	
29	319-769	1	FUSEHOLDER PM ASSY 1 GA .5	
30	319-802	1	ENCL DRL MNTR-1X1 1/16G1XFH1X1/2G	
31	320-054	1	HARNSS R/B WIRE SERIES 3P /11	
32	320-178	1	HARNSS 15CON 12PWR3PN(15) DTP/11	

34

%%SWITCH NOTCH ORIENTATION

- * ORIENT SWITCH NOTCHES AS SHOWN IN GRAPHIC
- * USE THE ANGLE VALUES SHOWN AS REFERENCE



- NOTES:
1. USE 2 CABLE TIES TO SECURE CABLES
 2. USE 1 CABLE TIE TO COIL UP HARNSS
 3. NOT SHOWN:

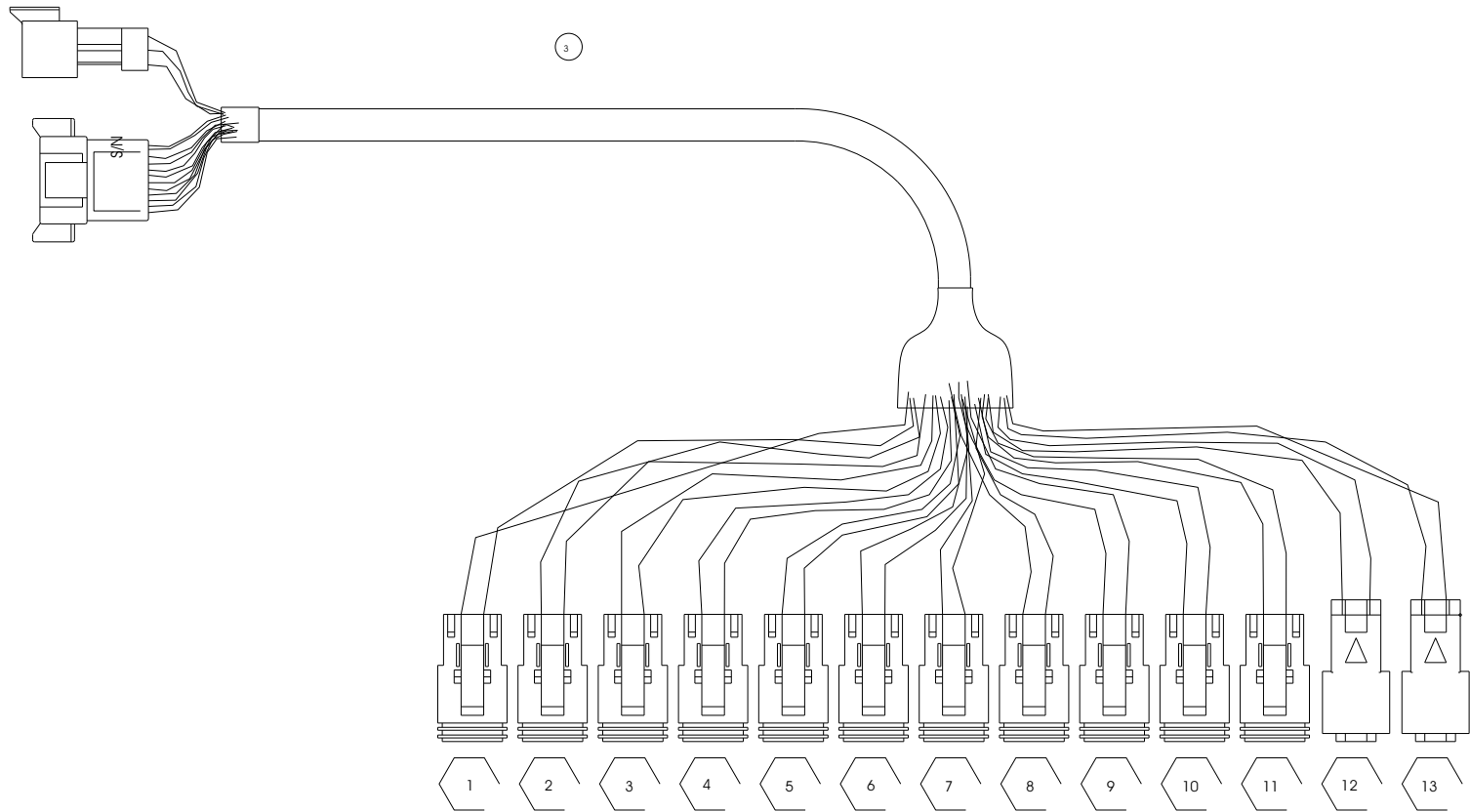
8

REV	DESCRIPTION	FORM #	DATE	APPROVED	DESIGNED BY	DATE	SCALE
1	RELEASED DRAWING	00-0010	03/11/2012	DLG	BNA		

DESIGNER	DATE	SCALE	SHEET	TOTAL
DLG	03/11/2012		1	2


FASSE VALVES SEVEN ROAD PARK READING, PA 19608-2348	
MNTN ASSY FD 7C WING CNTRL	
320-569	SHEET 1 OF 2

fast (OPT) Fasse 7400 7-Function Block Harness



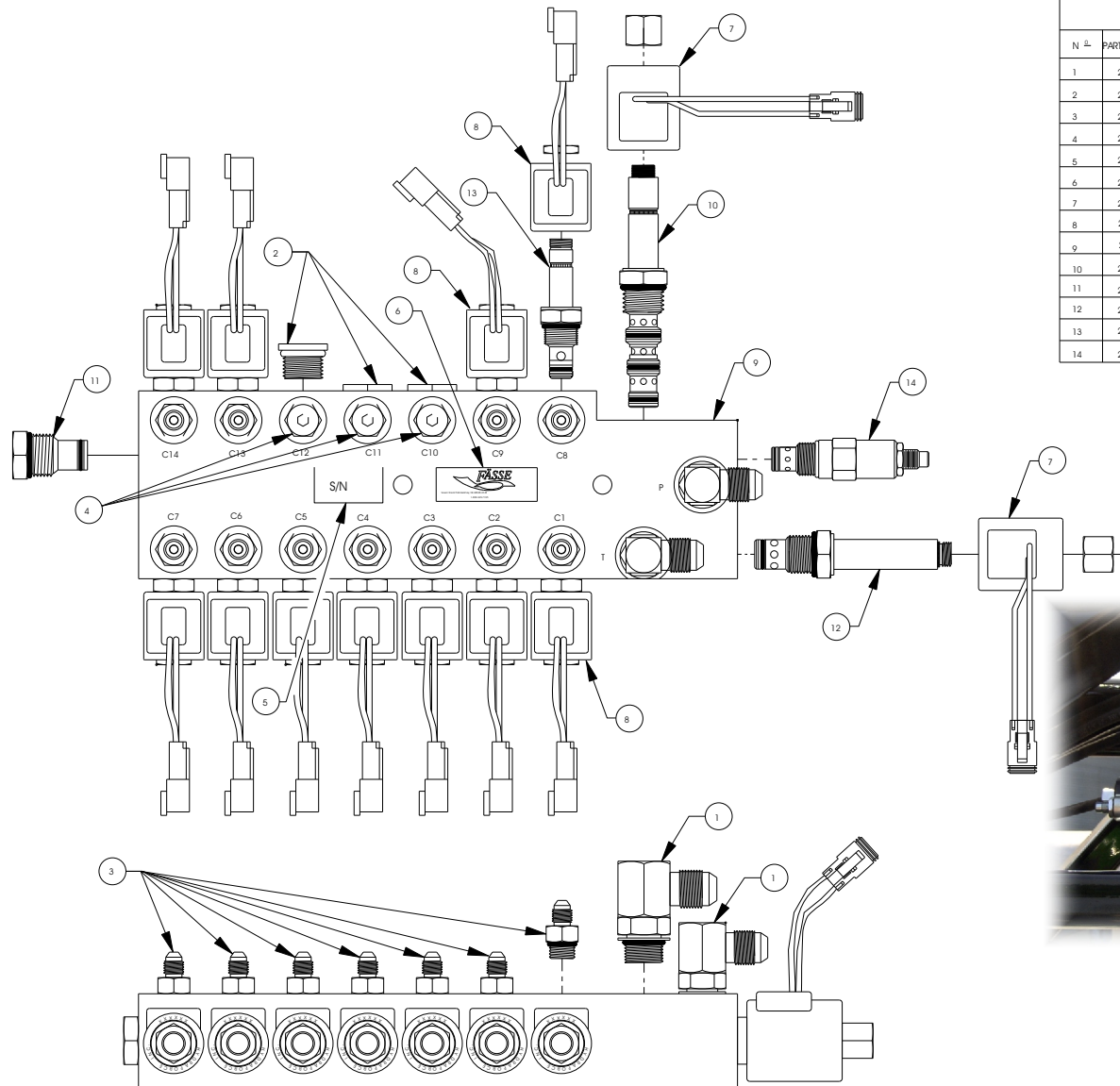
- 1 - RED WIRE
2 - BLK HRNSS
- 1 - ORG WIRE
2 - BLK HRNSS
- 1 - WHT WIRE
2 - BLK HRNSS
- 1 - BLU WIRE
2 - BLK HRNSS
- 1 - WHT/BLK WIRE
2 - BLK HRNSS
- 1 - ORG/BLK WIRE
2 - BLK HRNSS
- 1 - RED/BLK WIRE
2 - BLK HRNSS
- 1 - GRN/BLK WIRE
2 - BLK HRNSS
- 1 - RED/WHT WIRE
2 - BLK HRNSS
- 1 - GRN/WHT WIRE
2 - BLK HRNSS
- 1 - BLU/WHT WIRE
2 - BLK HRNSS
- 1 - GRN WIRE
2 - BLK HRNSS
- 1 - BLK/WHT WIRE
2 - BLK HRNSS

35

UNLESS OTHERWISE SPECIFIED	SIGNATURES	DATE	 FASSE VALVES SEVEN HOWARD PARK WESSLEY, NE 68086-2348
DRAWINGING ARE IN INCHES	DESIGNED	//	
2 PL. DECIMALS	ENGRS	//	
3 PL. DECIMALS			BLOCKHARNASS ASSY 807 OPN DICH (12PN & SPN)(15) DIP /10
4 PL. DECIMALS			
FRACCTIONS			
<small>THIS DRAWING IS A PROPRIETARY DESIGN OWNED BY FASSE CORPORATION. VALUE AND IS QUANTIFIED UNDER A CONFIDENTIAL RELATIONSHIP EXCEPT FOR VALUE AND QUANTITY. ALL RIGHTS ARE RESERVED BY FASSE VALVES.</small>			DESIGNED BY: A DRAWING NO: 303-283 SCALE: 1:1 SHEET: 2 OF 2

fast (OPT) Fasse 7400 7-Function Hyd. Block

36



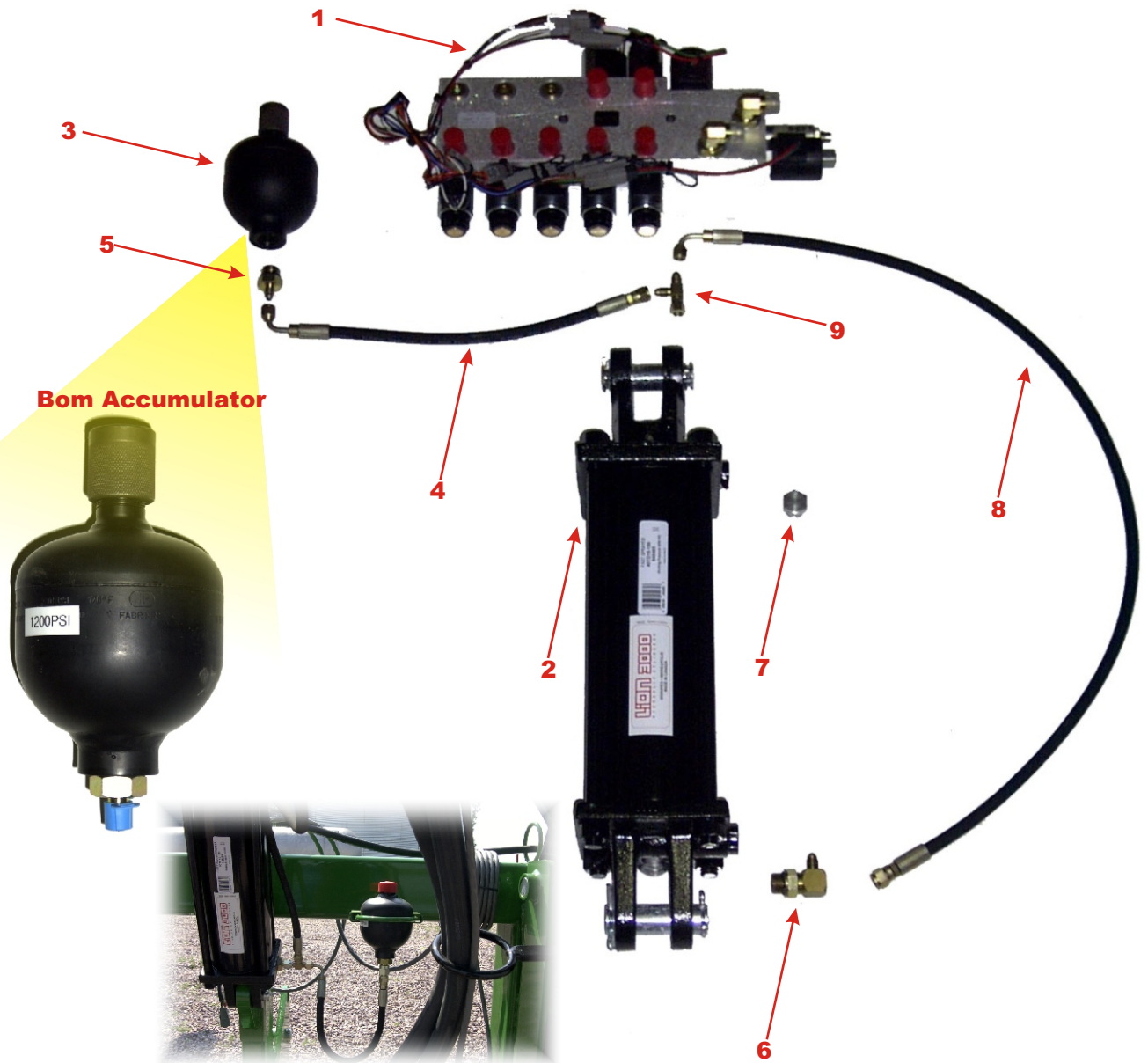
PARTS LIST			
N.º	PART NUMBER	QTY	PART DESCRIPTION
1	210-017	2	FIG 6801-8-8/E-MJ-MO
2	210-038	3	FIG 6408-HFP-8/HOLL HEX PLUG MO
3	210-113	11	FIG 6400-4-6/S-MJ-MO
4	210-127	3	FIG 6408-HFP-6/HOLL HEX PLUG MO
5	232-050	2	DECL S/N (SILVER)
6	232-059	1	DECL GOLD/BLK 1.5 x .5
7	253-037	2	COIL HF 6359774 DT
8	253-046	11	COIL HYDAC 0312600 DL DSTCH RECP.
9	270-011	1	BLOCK M14259-1 7 CIR
10	273-008	1	CART SV10-40-0-N-00
11	273-012	1	CART CP10-20
12	273-017	1	CART SV10-21-0-N-00
13	273-077	11	CART HYDAC WS 08W-01-C-N-0
14	273-994	1	CART RV10-22A-0-N-NC-35-25



- %%NOTES%%
 1. TORQUE-8 FIGS TO 35 FT. LBS.
 2. TORQUE-06 FIGS TO 19 FT. LBS.
 3. TORQUE-08 HFCART TO 20 FT. LBS.
 4. TORQUE-10 HFCART TO 25 FT. LBS.
 5. TORQUE COIL NUTS TO 5 FT. LBS.

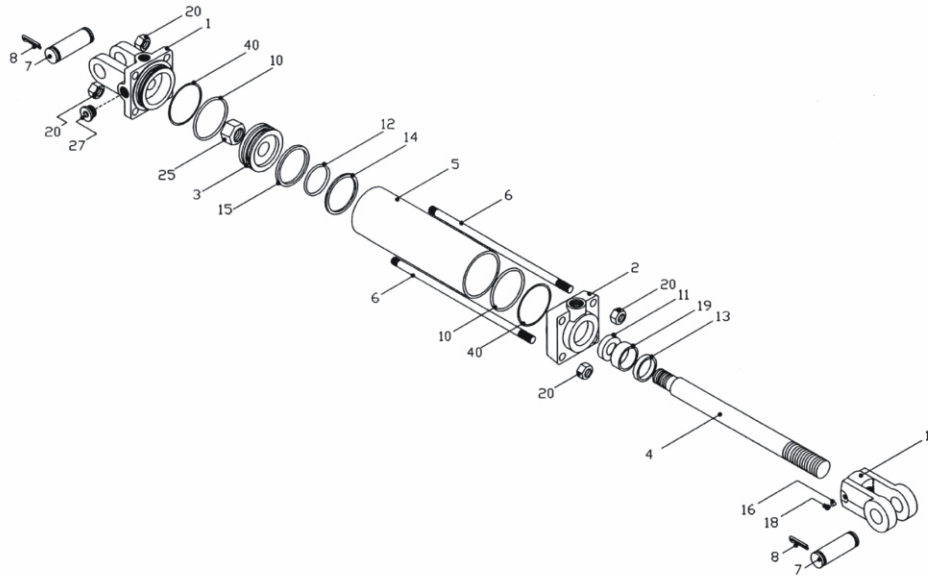
REVISION				UNLESS OTHERWISE SPECIFIED				SIGNATURES		DATE	
REV.	DESCRIPTION	FORM #	DATE	APPROVED	DATE	DESIGNED	DATE	ENGINEER	DATE	SCALE	1/1
RELASD DRAWING		OP-0027	03/10/07	ENC	03/10/07						
<small> DIMENSIONS ARE IN INCHES TOLERANCES ON: 2 PL. DECIMALS 3 PL. DECIMALS ANGLES FRACTIONS </small>								<small> THIS DRAWING IS A PROPRIETARY DESIGN OWNED BY FASSE CORPORATION. FASSE VALVES AND IS IDENTIFIED UNDER A CONFIDENTIAL REGISTRATION EXCEPT FOR USES EXPRESSLY GRANTED IN WRITING. ALL RIGHTS ARE RESERVED BY FASSE VALVES. </small>			
FASSE VALVES SEVEN HOLLOW PARK WESCAMPT, NE 68848-2348								BLOCK ASSY 0807 4DA/3SA DTR		DES. FILE NO. 0807 4DA/3SA DWG. NO. 302-848	

fast Main Center Lift Cylinder And Accumulator 60'80'90'



Part #	Qty	Description
1	1	FASSE 5 CIRCUIT HYDRAULIC VALVE
2	1	4" X 10" MONARCH CYLINDER
3	1	AL 0531-601-500/1200 A & L ACCUMULATOR
4	1	FAPA 4601 FDM4FLXP3-4FJX-4FJX90M 15"
5	1	AL 7400-6-18 A & L FITTING
6	1	AL 6801-4-8 A & L FITTING
7	1	PM BHF6 FORCE BREATHER PLUG
8	1	FAPA 4602 FDM4FLXP3-4FJX-4FJX90M 45"
9	1	TO 6602-4 TOMPKINS SWIVEL NUT RUN TEE

fast TD Series TIE-ROD Cylinders - 40TD10-150



Cylinder Data

Cylinder Model:		40TD10-150
Customer:	FAST	
Monarch Number:		645269
Bore:	4.00	
Stroke:	10.00	
Rod Diameter:		1.500

FOR REFERENCE ONLY

CYLINDER PARTS

Item	Description	Qty	Monarch No.
1	Clevis Cap	1	492680
2	Rod Cap	1	492686
3	Piston	1	494730
4	Rod	1	494800
5	Tube	1	467310
6	Tie Rod	4	492340
7	Clevis Pin	2	134953
8	Cotter Pin	4	135995
16	Nylon Thread Protector	1	498006
17	Rod Clevis	1	492652
18	Set Screw	1	148390
20	Tie Rod Nut	8	128271
25	Piston Nut	1	130559
27	Port Plug	1	186562

PISTON NUT

	TORQUE
NUT 3/4-16 UNF LOCKNUT	130 FT. LB
NUT 1-14 UNS. LOCKNUT	300 FT. LB
NUT 1 1/8-12 UNF. LOCKNUT	350 FT. LB
NUT 1 1/4-12 UNF. LOCKNUT	525 FT. LB
NUT 1 1/2-12 UNF. LOCKNUT	750 FT. LB

ROD CLEVIS SET SCREW

	TORQUE
NUT 3/8-16 UNC	20 FT. LB

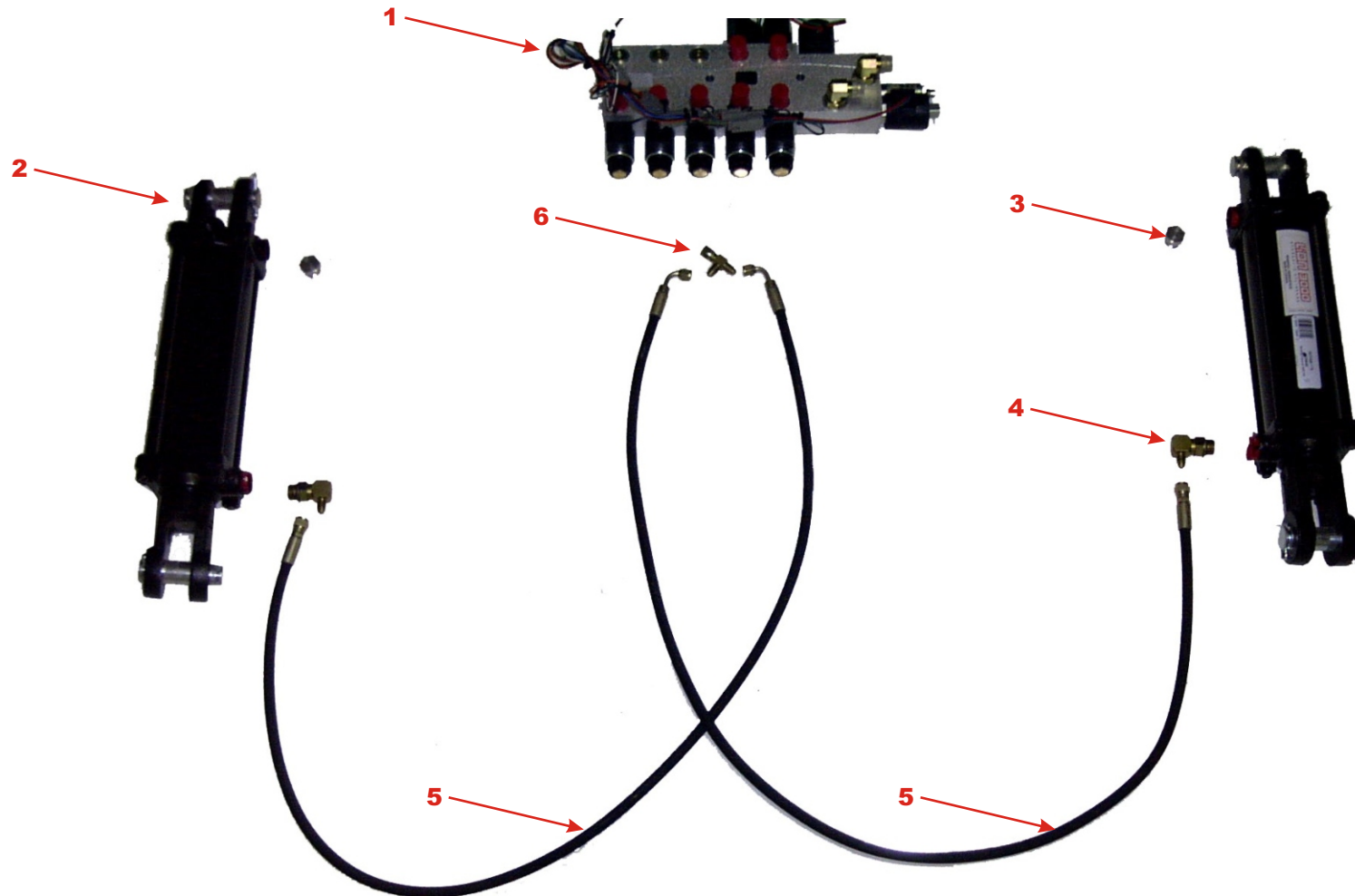
REPAIR KIT PARTS

Item	Description	Qty	Monarch No.
10	End Cap O-ring	2	All seals and wear rings must be purchased in complete repair kits. Seals will not be sold separately.
11	Rod Wiper Seal	1	
12	O-Ring (piston seal expander)	1	
13	Rod Dust Seal	1	
14	Piston Seal	1	
15	Piston Wear Ring	1	
40	End Cap Backup Washers	2	
	Monarch Repair Kit 1		639565
	(includes all above parts)		

TIE ROD NUT

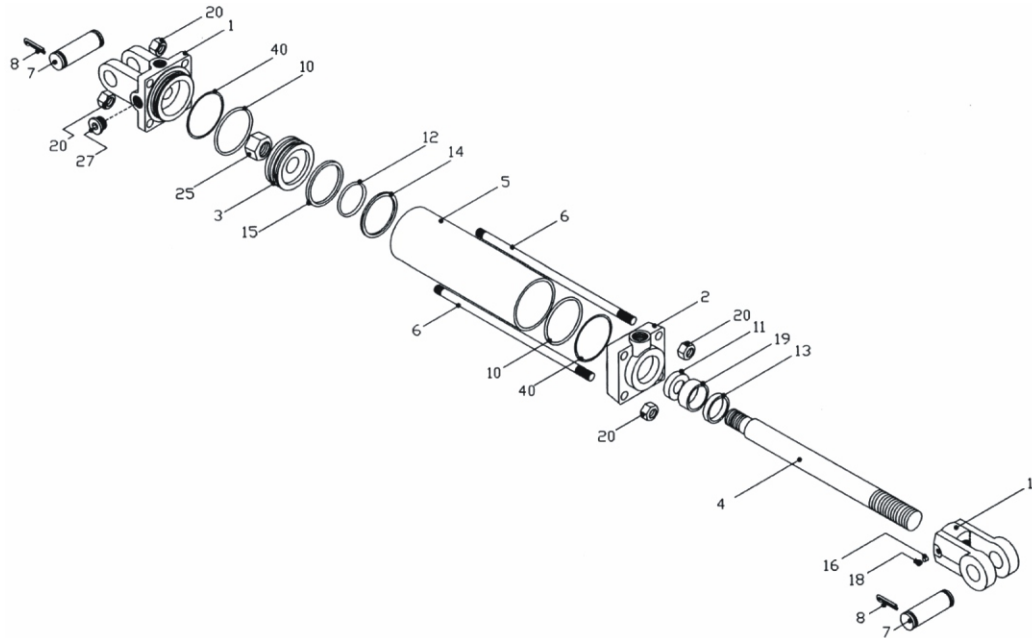
	TORQUE	
NUT 3/8-16 UNC	30 FT. LB	
NUT 1/2-13 UNC	80 FT. LB	
	NUT 5/8-11 UNC	140 FT. LB
	NUT 5/8-18 UNF	160 FT. LB
	NUT 3/4-18 UNF	250 FT. LB

fast Boom Wing Lift Hydraulic Package - 60' 80' 90'



Part #	Qty	Description
1	1	FASSE 5 CIRCUIT HYDRAULIC VALVE
2	2	MONARCH CYLINDER 3 " X12"
3	2	FORCE BREATHER PLUG
4	2	TOMPKINS 90 deg. HYD. FITTING
5	2	FDM4FLXP3-4FJX-4FJ90M 100"
6	1	2 TOMPKINS SWIVEL NUT RUN TEE

fast Tie Rod Cylinders With PSP Seals - 30TD12-125



Cylinder Data
 Cylinder Model: **30TD12-125**
 Customer: **FAST**
 Customer Number:
 Monarch Number: **645464**
 Bore: **3.00**
 Stroke: **12.00**
 Rod Diameter: **1.250**

FOR REFERENCE ONLY

40

Item	Description	Qty	Monarch No.
1	Clevis Cap	1	492675
2	Rod Cap	1	492670
3	Piston	1	494753
4	Rod	1	492870
5	Tube	1	491742
6	Tie Rod	4	492282
7	Clevis Pin	2	134953
8	Clevis Pin Clip	4	135995
16	Nylon Thread Protector	1	498006
17	Rod Clevis	1	492652
18	Set Screw	1	148390
20	Tie Rod Nut	8	128250
25	Piston Nut	1	130560
27	Port Plug	1	186562

PISTON NUT

Description	TORQUE
NUT 3/4-16 UNF LOCKNUT	130 FT. LB
NUT 1-14 UNS. LOCKNUT	300 FT. LB
NUT 1 1/8-12 UNF. LOCKNUT	350 FT. LB
NUT 1 1/4-12 UNF. LOCKNUT	525 FT. LB
NUT 1 1/2-12 UNF. LOCKNUT	750 FT. LB

ROD CLEVIS SET SCREW

Description	TORQUE
NUT 3/8-16 UNC	20 FT. LB

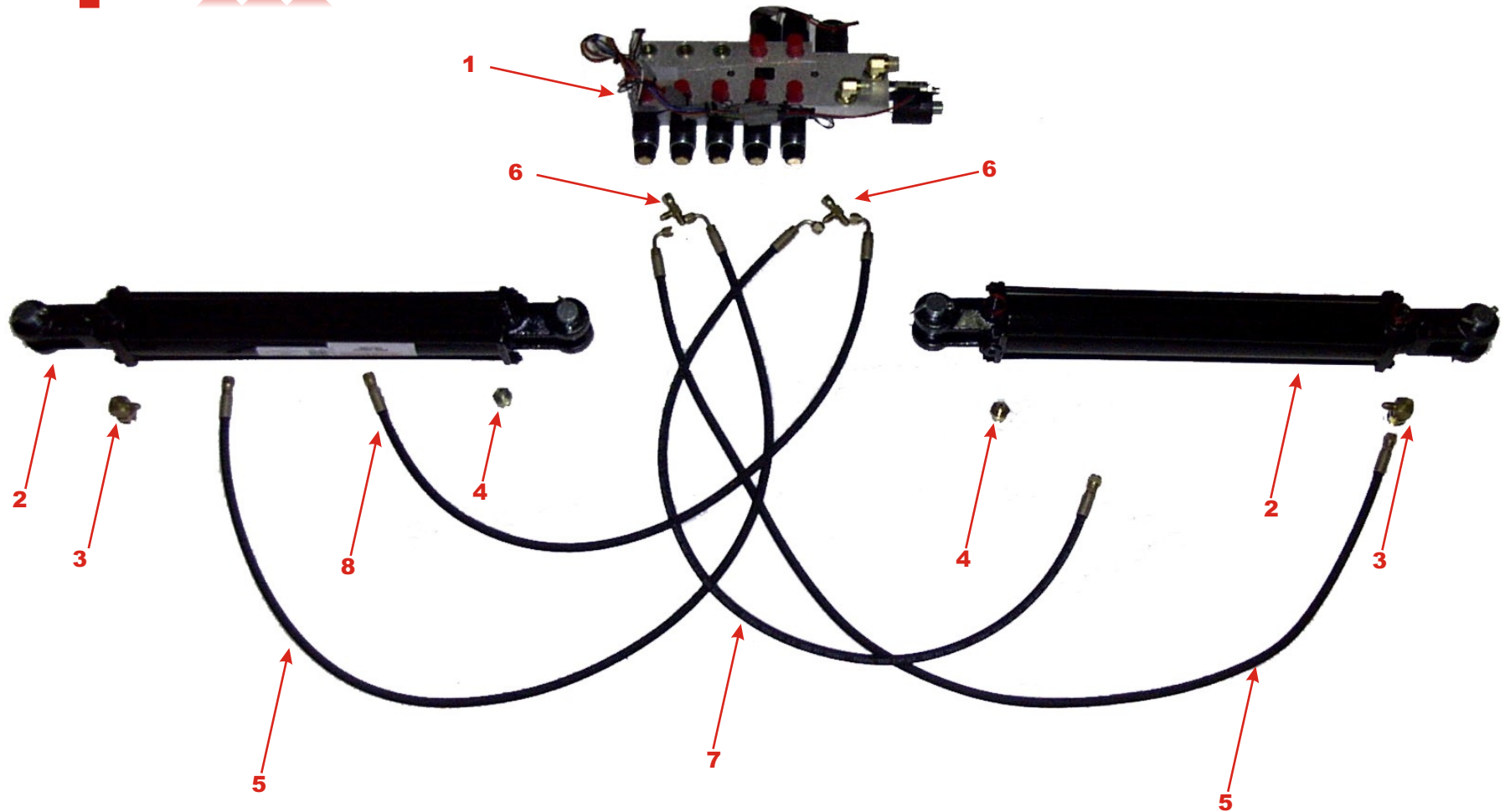
Item	Description	Qty	Monarch No.
10	End Cap O-ring	2	*
11	Rod Wiper Seal	1	*
13	Rod Dust Seal	1	*
14	Piston Seal	1	*
15	Piston Wear Ring	2	*
40	End Cap Backup Washers	2	*
	Complete Repair Kit (seals only)		645599
	Breather		

TIE ROD NUT

Description	TORQUE
NUT 3/8-16 UNC	30 FT. LB
NUT 1/2-13 UNC	80 FT. LB
NUT 5/8-11 UNC	140 FT. LB
NUT 5/8-18 UNF	160 FT. LB
NUT 3/4-18 UNF	250 FT. LB

All seals and wear rings must be purchased in complete repair kits. Seals will not be sold separately.

fast Boom Swing Hydraulic Package - 60' 80' 90'

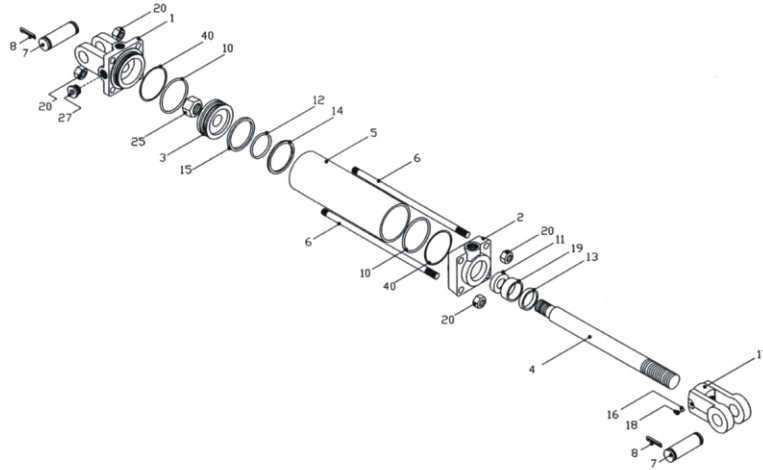


41

	Part #	Qty	Description
1	FASS 302846	1	FASSE 5 CIRCUIT HYD. VALVE
2	MO 645026	2	MONARCH 3" X 16" CYLINDER
3	TO 6801-4-8RO.047	2	TOMPKINS HYD. FITTING 90 deg W/Restrictions
4	TO 6400-4-8RO.047	2	TOMPKINS HYD. FITTING STRAIGHT
5	FAPA 4603	2	FDM4FLXP3-4FJX-4FJX-90M 56"
6	TO 6602-4	2	TOMPKINS SWIVEL NUT RUN TEE
7	FAPA 4604	1	FDM4FLXP3-4FJX-4FJX90M 39"
8	FAPA 4605	1	FDM4FLXP3-4FJX-4FJX90M 41"

fast TD Series Tie-Rod Cylinders 30TD16-150

TD SERIES TIE-ROD CYLINDERS



Cylinder Data

Cylinder Model:	30TD16-150
Customer:	FAST
Customer Number:	
Monarch Number:	645026
Bore:	3.00
Stroke:	16.00
Rod Diameter:	1.500

FOR REFERENCE ONLY

42

CYLINDER PARTS

Item	Description	Qty	Monarch No.
1	Clevis Cap	1	492675
2	Rod Cap	1	492728
3	Piston	1	494719
4	Rod	1	492628
5	Tube	1	491746
6	Tie Rod	4	492286
7	Clevis Pin	2	134953
8	Cotter Pin	4	135995
16	Nylon Thread Protector	1	498006
17	Rod Clevis	1	492652
18	Set Screw	1	148390
20	Tie Rod Nut	8	128250
25	Piston Nut	1	130560
27	Port Plug	1	186562

PISTON NUT

	TORQUE
NUT 3/4-16 UNF LOCKNUT	130 FT. LB
NUT 1-14 UNS. LOCKNUT	300 FT. LB
NUT 1 1/8-12 UNF. LOCKNUT	350 FT. LB
NUT 1 1/4-12 UNF. LOCKNUT	525 FT. LB
NUT 1 1/2-12 UNF. LOCKNUT	750 FT. LB

ROD CLEVIS SET SCREW

	TORQUE
NUT 3/8-16 UNC	20 FT. LB

REPAIR KIT PARTS

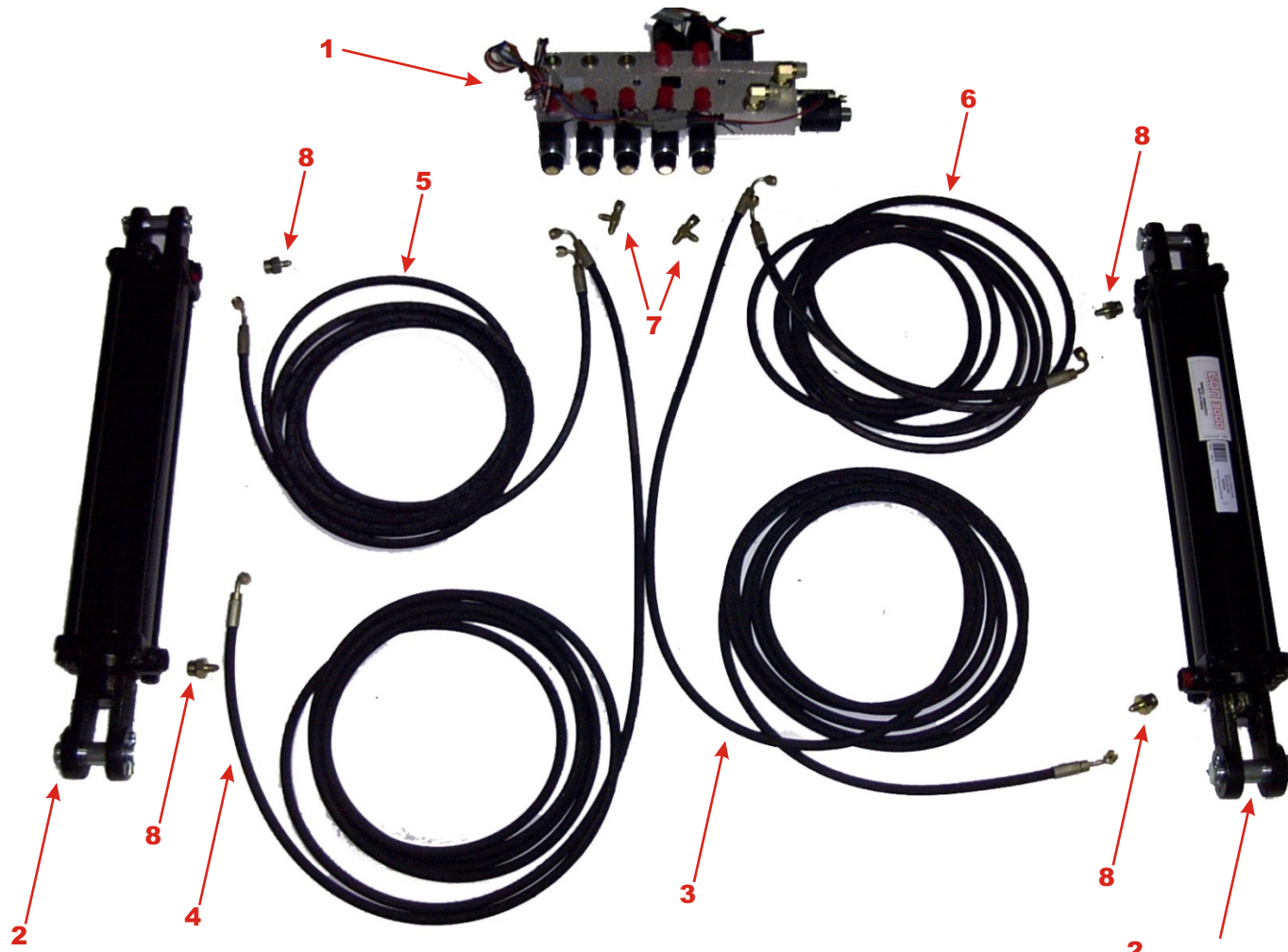
Item	Description	Qty	Monarch No.
10	End Cap O-ring	2	
11	Rod Wiper Seal	1	
12	O-Ring (piston seal expander)	1	
13	Rod Dust Seal	1	
14	Piston Seal	1	
15	Piston Wear Ring	1	
40	End Cap Backup Washers	2	
	Monarch Repair Kit	1	639559
	(includes all above parts)		

TIE ROD NUT

	TORQUE
NUT 3/8-16 UNC	30 FT. LB
NUT 1/2-13 UNC	80 FT. LB
NUT 5/8-11 UNC	140 FT. LB
NUT 5/8-18 UNF	160 FT. LB
NUT 3/4-18 UNF	250 FT. LB

All seals and wear rings must be purchased in complete repair kits. Seals will not be sold separately.

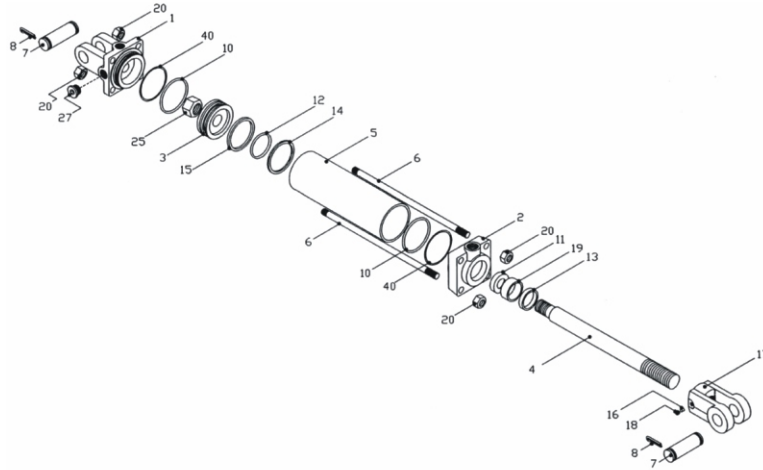
fast Boom Flip Wing Package - 60' 80' 90'



Part #	Qty	Description
1	1	FASSE 5 CIRCUIT HYD. VALVE
2	2	MONARCH 3" X 16" CYLINDER FOR 80'-90'(60'-2 1/2 x16 #MO 645094)
3	1	FDM4FLXP3-4FJX90M-4FJX90MA 264"
4	1	FDM4FXP3-4FJX90M-4FJX90MB 264"
5	1	FDM4XP3-4FJX90M-FJX90MB 244"
6	1	FDM4XP3-4FJX90M-4FJX90MA 244"
7	2	TOMPKINS SWIVEL NUT RUN TEE
8	4	TOMPKINS HYD. FITTING STRAIGHTW/Restrictions

fast 80'-90'TD Series Tie-Rod Cylinders 30TD16-150

TD SERIES TIE-ROD CYLINDERS



Cylinder Data

Cylinder Model:	30TD16-150
Customer:	FAST
Customer Number:	
Monarch Number:	645026
Bore:	3.00
Stroke:	16.00
Rod Diameter:	1.500

FOR REFERENCE ONLY

CYLINDER PARTS

Item	Description	Qty	Monarch No.
1	Clevis Cap	1	492675
2	Rod Cap	1	492728
3	Piston	1	494719
4	Rod	1	492628
5	Tube	1	491746
6	Tie Rod	4	492286
7	Clevis Pin	2	134953
8	Cotter Pin	4	135995
16	Nylon Thread Protector	1	498006
17	Rod Clevis	1	492652
18	Set Screw	1	148390
20	Tie Rod Nut	8	128250
25	Piston Nut	1	130560
27	Port Plug	1	186562

PISTON NUT

	TORQUE
NUT 3/4-16 UNF LOCKNUT	130 FT. LB
NUT 1-14 UNS. LOCKNUT	300 FT. LB
NUT 1 1/8-12 UNF. LOCKNUT	350 FT. LB
NUT 1 1/4-12 UNF. LOCKNUT	525 FT. LB
NUT 1 1/2-12 UNF. LOCKNUT	750 FT. LB

ROD CLEVIS SET SCREW

	TORQUE
NUT 3/8-16 UNC	20 FT. LB

REPAIR KIT PARTS

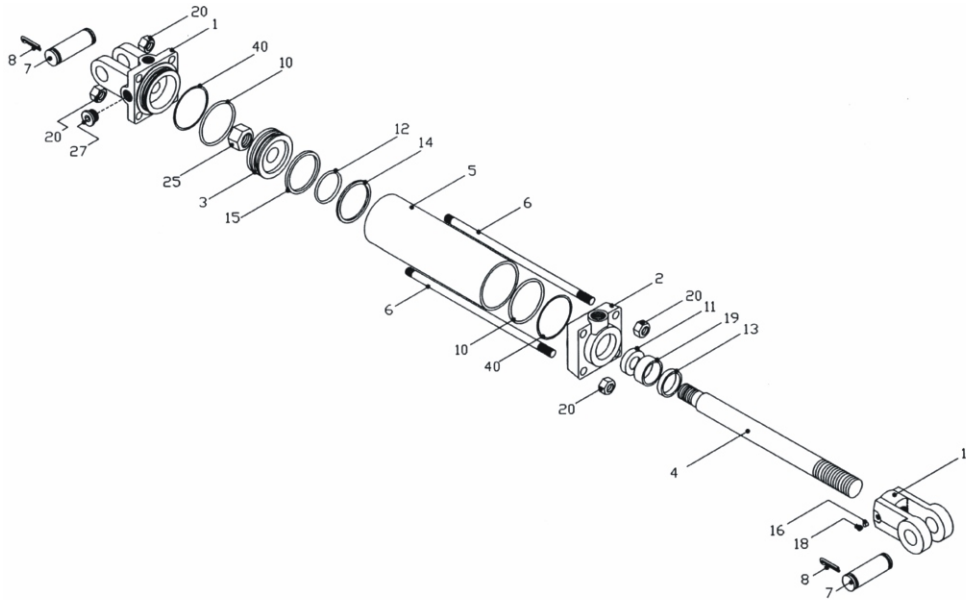
Item	Description	Qty	Monarch No.
10	End Cap O-ring	2	
11	Rod Wiper Seal	1	
12	O-Ring (piston seal expander)	1	
13	Rod Dust Seal	1	
14	Piston Seal	1	
15	Piston Wear Ring	1	
40	End Cap Backup Washers	2	
	Monarch Repair Kit	1	639559
	(includes all above parts)		

TIE ROD NUT

	TORQUE
NUT 3/8-16 UNC	30 FT. LB
NUT 1/2-13 UNC	80 FT. LB
NUT 5/8-11 UNC	140 FT. LB
NUT 5/8-18 UNF	160 FT. LB
NUT 3/4-18 UNF	250 FT. LB

All seals and wear rings must be purchased in complete repair kits. Seals will not be sold separately.

fast 60' TD Series Tie-Rod Cylinders - 25TD16-125



Cylinder Data

Cylinder Model:	25TD16-125
Customer:	FAST
Customer Number:	
Monarch Number:	645094
Bore:	2.50
Stroke:	16.00
Rod Diameter:	1.250

FOR REFERENCE ONLY

45

CYLINDER PARTS

Item	Description	Qty	Monarch No.
1	Clevis Cap	1	492674
2	Rod Cap	1	492727
3	Piston	1	494726
4	Rod	1	492641
5	Tube	1	491676
6	Tie Rod	4	492226
7	Clevis Pin	2	134953
8	Cotter Pin	4	135995
16	Nylon Thread Protector	1	498006
17	Rod Clevis	1	492650
18	Set Screw	1	148390
20	Tie Rod Nut	8	128230
25	Piston Nut	1	130556
27	Port Plug	1	188562

PISTON NUT

	TORQUE
NUT 3/4-16 UNF LOCKNUT	130 FT. LB
NUT 1-14 UNS. LOCKNUT	300 FT. LB
NUT 1 1/8-12 UNF. LOCKNUT	350 FT. LB
NUT 1 1/4-12 UNF. LOCKNUT	525 FT. LB
NUT 1 1/2-12 UNF. LOCKNUT	750 FT. LB

ROD CLEVIS SET SCREW

	TORQUE
NUT 3/8-16 UNC	20 FT. LB

REPAIR KIT PARTS

Item	Description	Qty	Monarch No.
10	End Cap O-ring	2	
11	Rod Wiper Seal	1	
12	O-Ring (piston seal expander)	1	
13	Rod Dust Seal	1	
14	Piston Seal	1	
15	Piston Wear Ring	1	
40	End Cap Backup Washers	2	
	Monarch Repair Kit (includes all above parts)	1	#639556

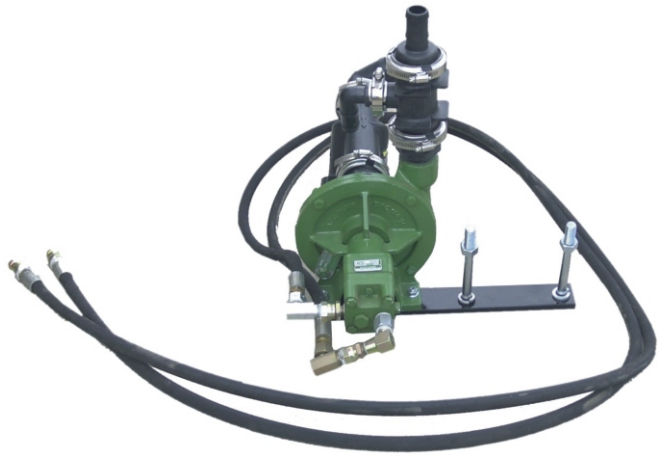
All seals and wear rings
must be purchased in
complete repair kits.
Seals will not be sold
separately.

TIE ROD NUT

	TORQUE
NUT 3/8-16 UNC	30 FT. LB
NUT 1/2-13 UNC	80 FT. LB
NUT 5/8-11 UNC	140 FT. LB
NUT 5/8-18 UNF	160 FT. LB
NUT 3/4-18 UNF	250 FT. LB

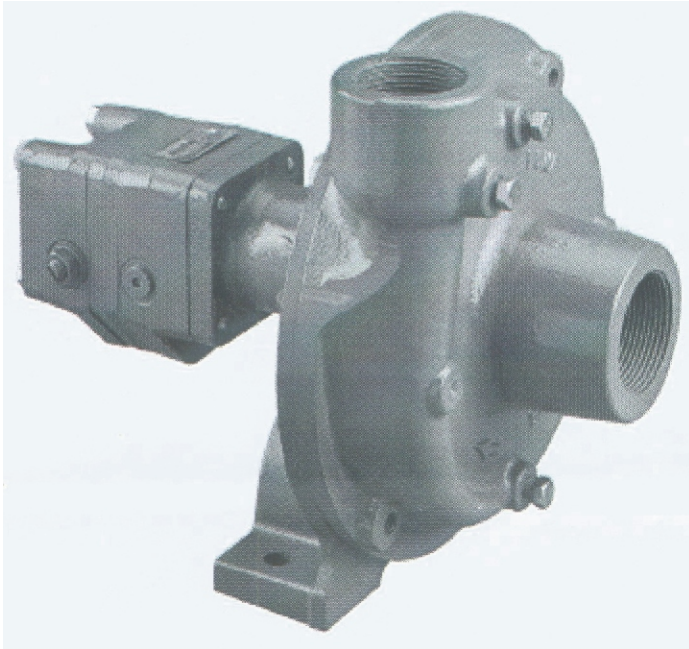
fast Section 3 - Water Pumps and Hyd. Pumps

150 x 206 Hyd. Motor Pump	47
High Capacity Hydraulic Driven Centrifugal Pump	48
High Capacity Hydraulic Driven Centrifugal Pump	49
Hydraulic Motor Parts List	50
200x304 Hyd. Motor Pump	51
High Capacity Hydraulic Driven Centrifugal Pump	52
Hydraulic Motor Parts List	53
Hydraulic Motor Parts List	54



fast High Capacity Hydraulic Driven Centrifugal Pump

Used on 66' and smaller Sprayers



FMC-150-HYD-206

- Suction 1-1/2" Discharge 1-1/4"
- Recommended for use on the following Hydraulic Systems:
 - ✓ Pressure Compensating Closed Center
 - ✓ Load Sensing or Pressure Flow Compensating Closed Center
 - ✓ Open Center from 7 to 16 GPM
- Integral Needle Valve bypasses up to 9 GPM on Open Center Systems
- Standard Viton® Carbon/Ceramic seal or Optional Severe Duty Silicon Carbide Mechanical Seal
- Chemical Resistant Valox® or Optional Cast Iron Impeller
- Stainless Steel Shaft and Wear Ring

Valox® is a registered trademark of GE Plastics.
Viton® is a registered trademark of DuPont Dow Elastomers.

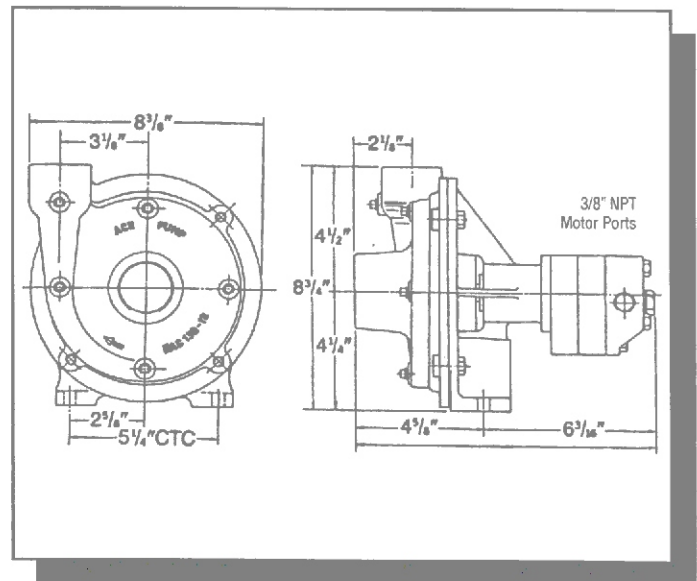
PERFORMANCE CHART

SHUT-OFF 0 GPM	40 GPM	60 GPM	80 GPM	100 GPM	120 GPM
120 PSI	116 PSI	112 PSI	110 PSI	88 PSI	53 PSI
100 PSI	97 PSI	92 PSI	84 PSI	74 PSI	46 PSI
80 PSI	75 PSI	70 PSI	61 PSI	52 PSI	20 PSI
60 PSI	57 PSI	57 PSI	43 PSI	29 PSI	-

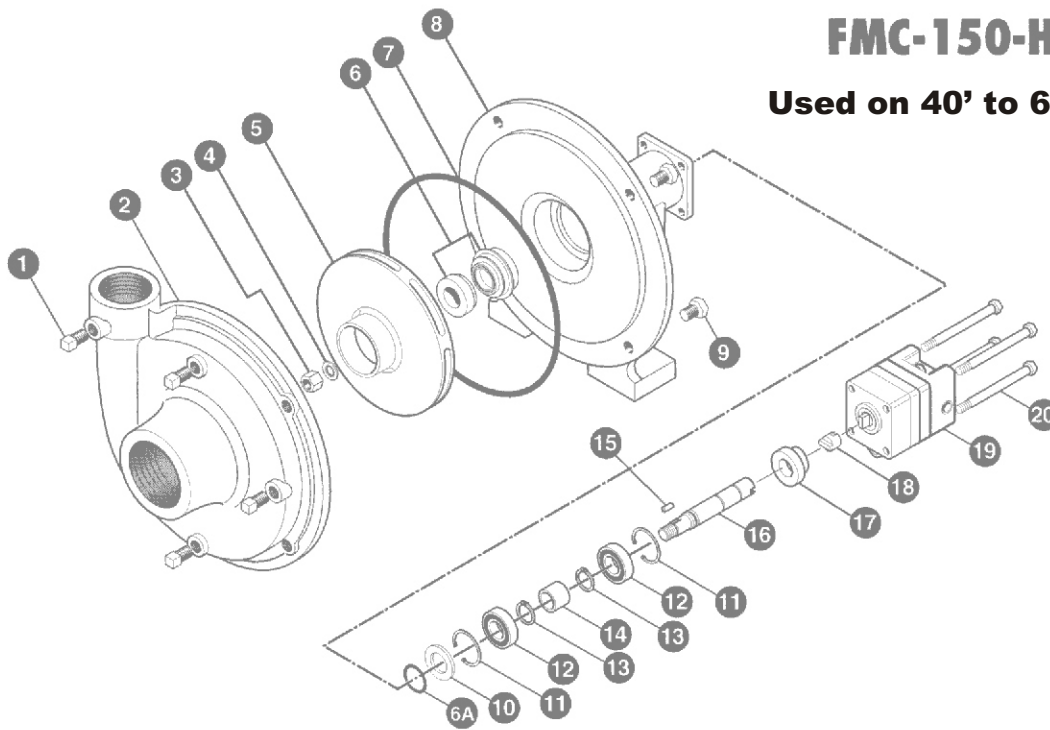
Use the SHUT-OFF pressure of your spraying system to determine which line of data applies. The hydraulic system input pressure and flow will vary within the chart. Contact factory for more data.

MAXIMUM SHUT-OFF PRESSURE - 120 PSI

DIMENSIONS



fast High Capacity Hydraulic Driven Centrifugal Pump



FMC-150-HYD-206

Used on 40' to 66' Sprayers

REF. #	PART NUMBER	EDP #	DESCRIPTION	REQ.
1	BAC-53	41110	Pipe plug	4
1	41120	41120	Pipe plug, stainless steel (optional)	4
2	BAC-12-150	40255	Volute, 1-1/2" x 1-1/4"	1
3	BAC-23-A	40391	Nut, 3/8" NF, cad plated	1
4	BAC-24-HYD-SS	40400	Washer, 3/8" star, stainless steel	1
5	BAC-26-150-P	40446	Impeller, Valox, keyway	1
5	BAC-26-150-CI	40445	Impeller, cast iron, keyway (optional)	1
*6	BAC-7V	40151	Seal, mechanical, Viton (includes 40160 O-Ring)	1
6	BAC-7SC	40152	Seal, mechanical, silicon carbide (includes 40160 O-Ring) (optional)	1
6A	40160	40160	O-ring, shaft seal	1
*7	BAC-4-150	40015	O-ring, body seal	1
8	BAC-14-150-HYD	40305	Mounting frame (for 200 Series hydraulic motor)	1
9	40950	40950	Cap screw, 3/8" NC x 3/4" hex head	4
9	40930	40930	Cap screw, 3/8" NC x 3/4" hex head, stainless steel (optional)	4
10	BAC-54	41130	Slinger	1
11	BAC-33	40810	Snap ring, internal, BAC-14 mounting frame	2
12	BAC-37	40870	Ball Bearing, sealed, BAC-6 shaft	2
13	BAC-32	40790	Snap ring, external, BAC-6 shaft	2
14	BAC-32-S	40795	Spacer for BAC-6 shaft	1
15	BACH-25	40420	Key, 1/8" x 1/8" x 1/2"	1
16	BAC-6-HYD	40060	Shaft, 5/8" diameter, keyway and tang slot	1
16	BAC-6-HYD-SS	40061	Shaft, 5/8" diameter, keyway and tang slot, stainless steel (optional)	1
17	S200	40161	Seal support spacer for 200 Series HYD motor, effective 6/00	1
18	BAC-76-HYD	41380	Coupling for hydraulic motor	1
19	BAC-75-HYD-206	41372	Hydraulic motor, 7 GPM	1
20	41258	41258	Cap screw, 5/16" N. C. x 3-3/4" Hex head (for 206 motor)	4
#	RK-FMC-150	52710	Repair kit for FMC-150 series pump	-
#	RK-BAC-75-HYD	41371	Repair kit for 200 Series motor	-
#	RK-BAC-75-HYD-L	41374	Repair kit for 200-L Series motor	-

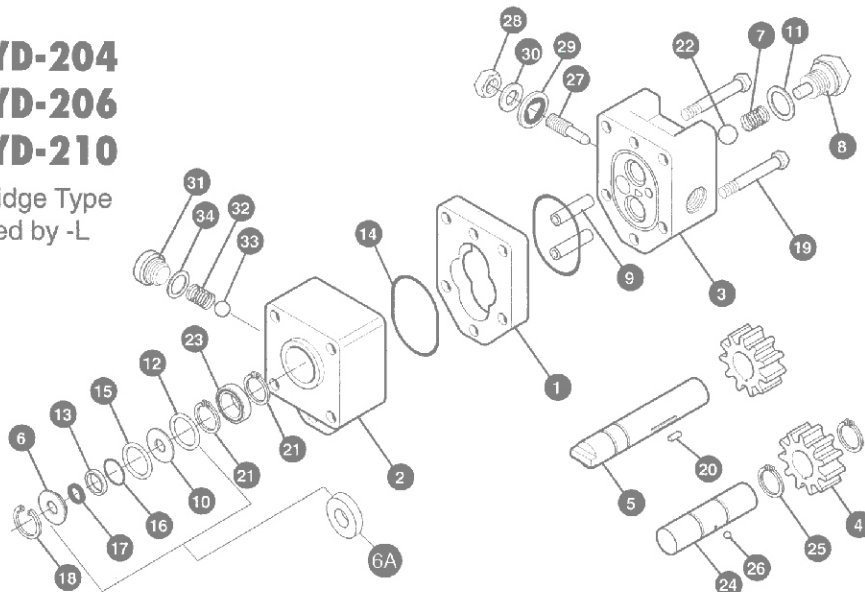
fast Hydraulic Motor Parts List

206 used on 40' to 66' Sprayers

HYDRAULIC MOTOR PARTS LIST

BAC-75-HYD-204
BAC-75-HYD-206
BAC-75-HYD-210

Including Cartridge Type Seal (designated by -L on nameplate)



REF. #	MODEL 204	MODEL 206	MODEL 210	DESCRIPTION	REQUIRED
1	41720	41721	41725	Gear housing	1
2	41731	41731	41731	Drive plate	1
3	41740	41740	41740	End plate	1
4	41750	41751	41755	Gear	2
5	41761	41764	41766	Drive shaft	1
6	41770	41770	41770	Steel seal retainer	1
6A②	40153	40153	40153	Seal cartridge (replaces REF# 6,10,12,13,15,16,17)	1
7	41780	41780	41780	Spring, reverse flow check	1
8	41790	41790	41790	Valve cap, reverse flow check	1
9	41800	41801	41805	Dowel pin, housing	2
10	41810	41810	41810	Steel backup washer	1
11	41820	41820	41820	Nylon washer	1
12	41830	41830	41830	Wire ring bearing spacer	1
13	41840	41840	41840	Collar, quad ring shaft seal	1
14①②	41850	41850	41850	"O" Ring, housing seal	2
15①	41860	41860	41860	"O" Ring, seal retainer	1
16①	41870	41870	41870	"O" Ring, seal collar	1
17①	41880	41880	41880	Quad ring shaft seal	1
18	41890	41890	41890	Retaining ring, shaft seal	1
19	41900	41900	41905	Cap screw, 1/4" N.C. hex head	2
20	41920	41921	41925	Dowel pin, drive shaft	1
21	41941	41941	41941	Snap ring, bearing	2
22	41950	41950	41950	Ball, reverse flow check	1
23	41961	41961	41961	Ball bearing 7/16" I.D.	1
24	41970	41971	41975	Idler shaft	1
25	41980	41980	41980	Retaining ring, idler gear	2
26	41990	41990	41990	Ball, idler shaft	1
27	42010	42010	42010	Adjusting screw, needle valve	1
28	40960	40960	40960	3/8" N.C. jam nut, needle valve	1
29①②	42030	42030	42030	3/8" Thread seal, needle valve	1
30	42040	42040	42040	Flat steel backup washer, needle valve	1
31	42041	42041	42041	Valve cap, coasting check	1
32	42042	42042	42042	Spring, coasting check	1
33	42043	42043	42043	Ball, coasting check	1
34①②	42044	42044	42044	"O" Ring, coasting check	1
①	41371	41371	41371	Repair Kit, RK-BAC-75-HYD	--
②	41374	41374	41374	Repair Kit, RK-BAC-75-HYD-L	--

fast 200x304 Hyd. Motor Pump



Part # FMC200HYD304

fast High Capacity Hydraulic Driven Centrifugal Pump

Used on 72' and larger



FMC-200-HYD-304

- Suction 2" Discharge 1-1/2"
- Recommended for use on the following Hydraulic Systems:
 - ✓ Pressure Compensating Closed Center
 - ✓ Load Sensing or Pressure Flow Compensating Closed Center
 - ✓ Open Center from 10 to 20 GPM
- Integral Needle Valve bypasses up to 9 GPM on Open Center Systems
- Standard Viton® Carbon/Ceramic seal or Optional Severe Duty Silicon Carbide Mechanical Seal
- Chemical Resistant Valox® or Optional Cast Iron Impeller
- Stainless Steel Shaft and Wear Ring

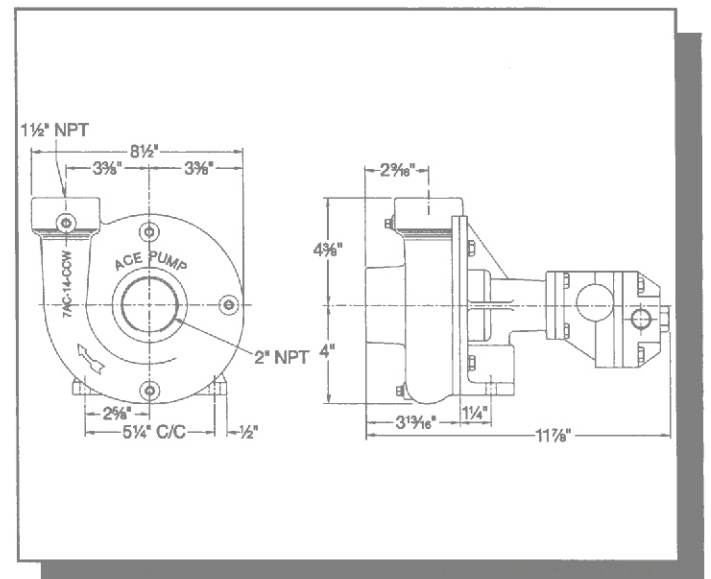
PERFORMANCE CHART

SHUT-OFF 0 GPM	40 GPM	80 GPM	120 GPM	160 GPM	200 GPM
120 PSI	114 PSI	100 PSI	85 PSI	65 PSI	36 PSI
100 PSI	92 PSI	83 PSI	68 PSI	52 PSI	-
80 PSI	76 PSI	68 PSI	57 PSI	43 PSI	-
60 PSI	56 PSI	50 PSI	40 PSI	-	-

Use the SHUT-OFF pressure of your spraying system to determine which line of data applies. The hydraulic system input pressure and flow will vary within the chart. Contact factory for more data.

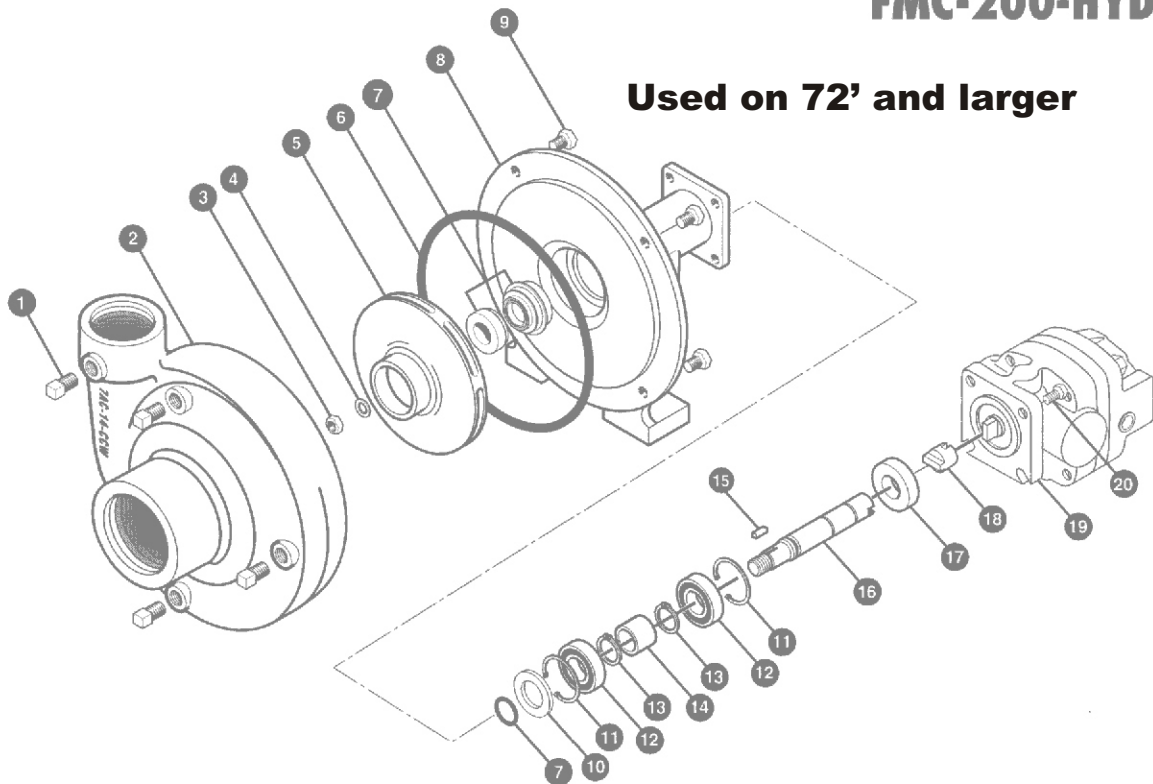
MAXIMUM SHUT-OFF PRESSURE - 120 PSI

DIMENSIONS



fast Hydraulic Motor Parts List

FMC-200-HYD-304



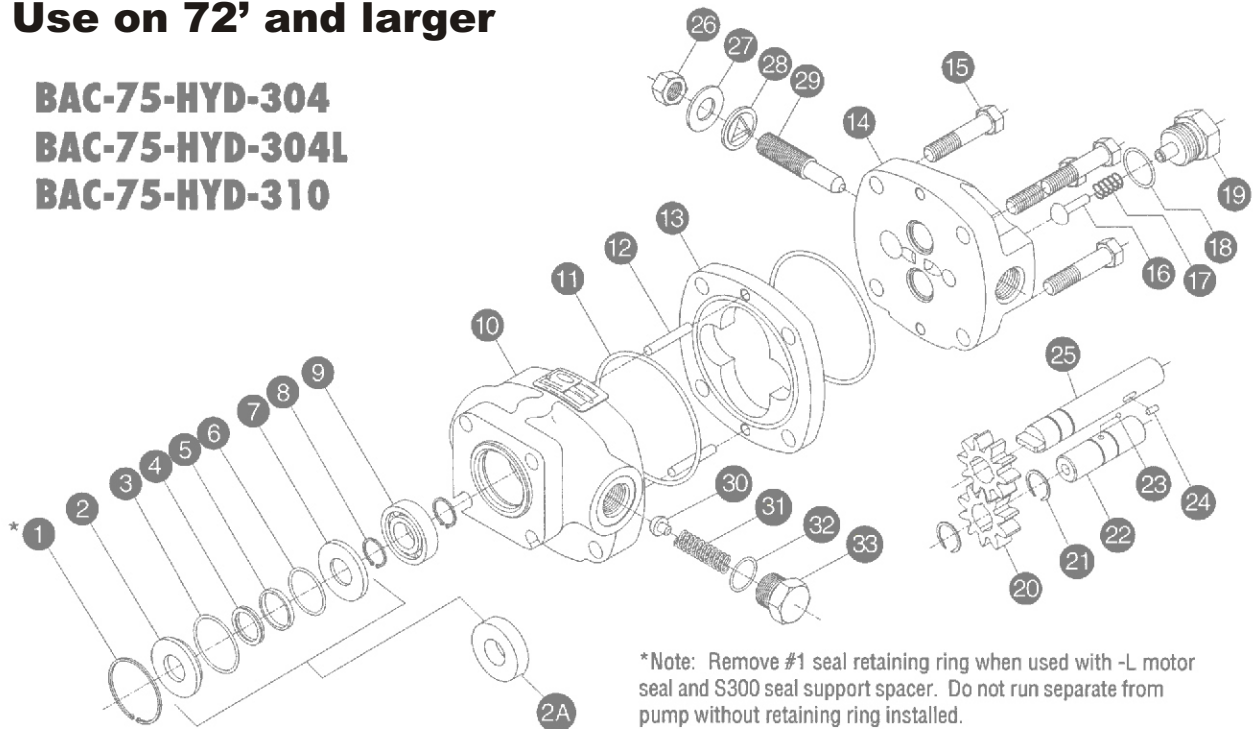
Used on 72' and larger

REF. #	PART NUMBER	EDP #	DESCRIPTION	REQ.
1	BAC-53	41110	Pipe plug	4
1	41120	41120	Pipe plug, stainless steel (optional)	4
2	7AC-14-CCW	41526	Volute, 2" x 1-1/2"	1
3	BAC-23-A	40391	Nut, 3/8" NF, cad plated	1
4	BAC-24-HYD-SS	40400	Washer, 3/8" star, stainless steel	1
5	BAC-26-200-CI	40433	Impeller, with extended keyway, cast iron (date code E-9 and up)	1
5	BAC-26-HYD-200-CI	41525	Impeller, cast iron, keyway	1
*6	BAC-4	40010	Gasket, 4 hole	1
*6	BAC-4A	40005	O-ring, body seal, effective April 1996	1
*7	BAC-7V	40151	Seal, mechanical, Viton (includes 40160 "O" Ring)	1
7	BAC-7SC	40152	Seal, mechanical, silicon carbide (includes 40160 "O" Ring) (optional)	1
7A	40160	40160	O-ring, shaft seal	1
8	BAC-14-HYD-300	40301	Mounting frame (for -300 series hydraulic motor)	1
9	40950	40950	Cap screw, 3/8" NC x 3/4" hex head	4
9	40930	40930	Cap screw, 3/8" NC x 3/4" hex head, stainless steel (optional)	4
10	BAC-54	41130	Slinger	1
11	BAC-33	40810	Snap ring, internal, BAC-14 mounting frame	2
12	BAC-37	40870	Ball Bearing, sealed, BAC-6 shaft	2
13	BAC-32	40790	Snap ring, external, BAC-6 shaft	2
14	BAC-32-S	40795	Spacer for BAC-6 shaft	1
15	BAC-25	40425	Key, 1/8" x 1/8" x 13/16", extended keyway (date code E-9 and up)	1
15	BACH-25	40420	Key, 1/8" x 1/8" x 1/2"	1
16	BAC-6-HYD-200-SS	40063	Shaft, extended keyway, tang, stainless steel (date code E-9 and up)	1
16	BAC-6-HYD	40060	Shaft, 5/8" diameter, keyway and tang slot	1
16	BAC-6-HYD-SS	40061	Shaft, 5/8" diameter, keyway and tang slot, stainless steel (optional)	1
17	S300	40162	Seal support spacer for 300 Series HYD motor, effective 6/00	1
18	BAC-76-HYD	41380	Coupling for hydraulic motor	1
19	BAC-75-HYD-304	41381	Hydraulic motor, 11 GPM	1
20	41330	41330	Cap screw, 5/16" N. C. x 3/4" hex head, motor to pump	4
#	RK-FMC	52700	Repair kit for FMC series pump	-
#	RK-BAC-75-HYD-304	41361	Repair kit for 304 motor	-
#	RK-BAC-75-HYD-304-L	41362	Repair kit for 304-L motor	-

fast Hydraulic Motor Parts List

Use on 72' and larger

BAC-75-HYD-304
BAC-75-HYD-304L
BAC-75-HYD-310



*Note: Remove #1 seal retaining ring when used with -L motor seal and S300 seal support spacer. Do not run separate from pump without retaining ring installed.

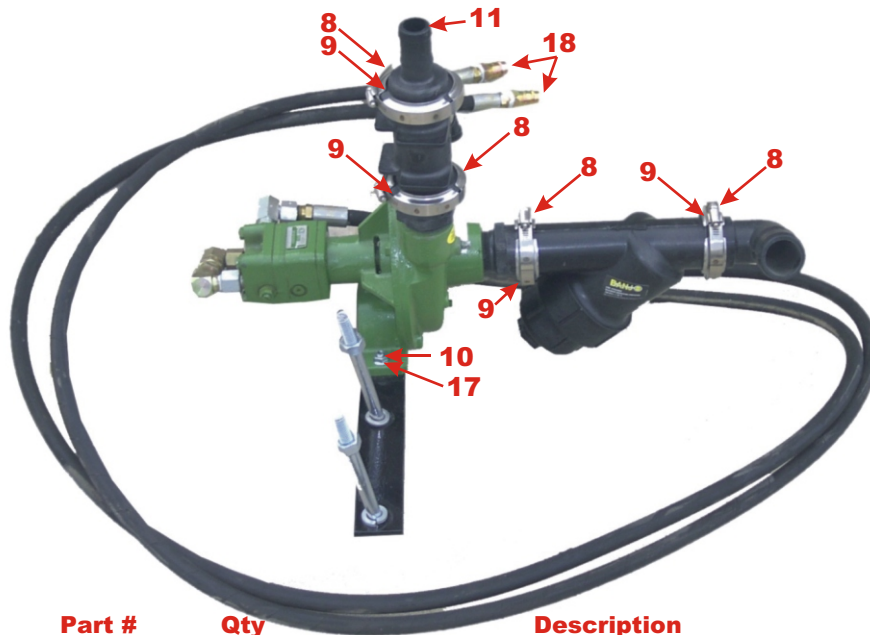
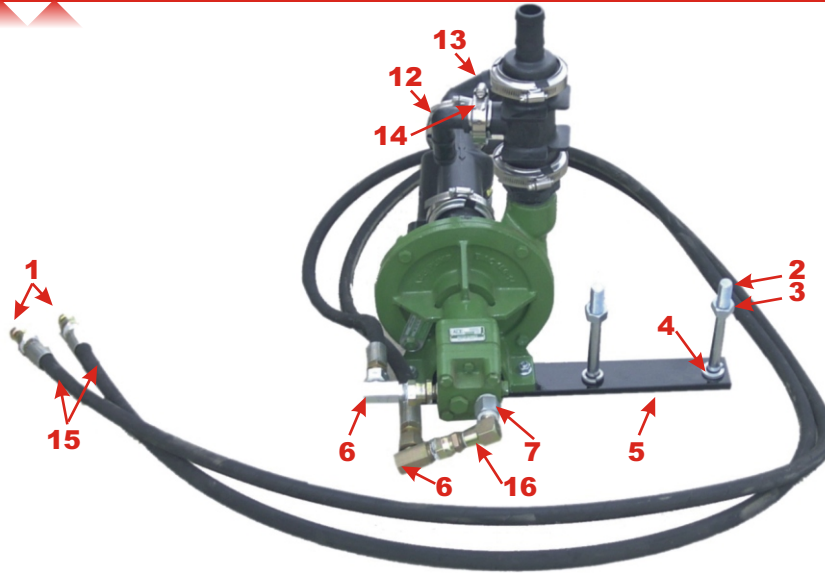
REF#	MODEL 304	MODEL 310	DESCRIPTION	REQUIRED
1	43175	43170	Retaining ring, shaft seal	1
2	43051	43050	Steel seal retainer	1
2AⓂ	40154	--	Hydraulic seal cartridge for -304L (replaces REF# 2-7)	1
3Ⓜ	43141	43140	"O" Ring, seal retainer	1
4Ⓜ	43161	43160	Quad ring shaft seal	1
5	43125	43120	Collar, quad ring shaft seal	1
6Ⓜ	43151	43150	"O" Ring, seal collar	1
7	43095	43090	Backup washer	1
8	43205	43200	Retaining ring, bearing	2
9	43225	43220	Ball bearing	1
10	43015	43010	Drive plate	1
11ⓂⓂ	43130	43130	"O" Ring, housing seal	2
12	43085	43080	Dowel pin, housing	2
13	43005	43000	Gear housing	1
14	43020	43020	End plate	1
15	43185	43180	Cap screw, 3/8" N.C. hex head	4
16	43210	43210	Plunger, reverse flow check	1
17	43060	43060	Spring, reverse flow check	1
18	43290	43290	"O" Ring, reverse flow check	1
19	43070	43070	Valve cap, reverse flow check	1
20	43035	43030	Gear	2
21	43240	43240	Retaining ring, gear	2
22	43235	43230	Idler shaft	1
23	43255	43250	Ball, idler shaft	1
24	43195	43190	Dowel pin, drive shaft	1
25	43045	43040	Drive shaft	1
26	43270	43270	Hex nut, needle valve	1
27	43292	43292	Flat steel backup washer, needle valve	1
28ⓂⓂ	43291	43291	1/2" thread seal, needle valve	1
29	43260	43260	Adjusting screw, needle valve	1
30	43300	--	Plunger, coasting check	1
31	43305	--	Spring, coasting check	1
32ⓂⓂ	43310	--	"O" Ring, coasting check	1
33	43315	--	Valve cap, coasting check	1
Ⓜ	41361	41379	Motor repair kit, RK-BAC-75-HYD-304 or -310	--
Ⓜ	41362	--	Motor repair kit, RK-BAC-75-HYD-304L	--

fast Section 4 - Plumbing

Pump Plumbing	56
Main Line Filter	57
Tee Boom Filters Assembly	58
Tee Boom Filter	59
Tee Boom Filter	60
Manifold Assembly	61
Tee Jet Ball Valves w/Manifold and Gauge	62
Tee Ball Valves w/Manifold and Gauge, w/Raven MCV	63
Manual Fence Line Plumbing	64
Electric Fence Line Plumbing	65
Plumb Broad Mounting Bracket	66
RFM 60 Flow meter Replacement Parts	67
1' Poly Control Valve Replacement Parts	68
Plumbing Broad	69
Feed Line Plumbing	70
Feed Line Plumbing	71
Feed Line Plumbing	72
Quick Tee Jet Nozzle Bodies	73
Tee Jet Nozzle Bodies	74
Stainless Steel Nozzle Clamps	75



fast Pump Plumbing



	Part #	Qty	Description
1	BU8010-4	2	PIONEER TIPS ISO
2	FA574	1	5/8"X5"X7" U BOLT
3	FA216	2	5/8" CORUUSE NUT
4	FA253	2	5/8" COURSE LOCK WASHER
5	FA7275	1	PUMP BRACKET
6	FA1501-8-8	2	ELBOW
7	BAL79304	1	ORIFICE 1/2" NPT MALE X 1/2"
8	BJFC200	4	2" CLAMP
9	BJ150G	4	RUBBER WASHER
10	FA129	2	3/8" X 1 1/2" COURSE BOLTS
11	BJM200125BRB	1	2" STD PORT FLANGE X 1/4" HOSE BARB
12	BJM100BRB90	1	1" 90 DEG. HOSE BARB 90 DEG. ELBOW
13	BJFC100	1	FLANGE CLAMP
14	BJM100G	1	RUBBER WHASHER
15	FAPA4611	2	FDM8FLXP3-8MP-8MP HOSE
16	FO5502-8-8	1	ELBOW
17	FA769	2	3/8" FLANGE NUT
18	BU5060-4	2	BURNS JD TIPS

fast Main Line Filter



Cap # MLS-150-C
ORING # LS200-GV



50MESH SCREEN
Ls220



MLS200-B

fast Tee Boom Filters Assembly

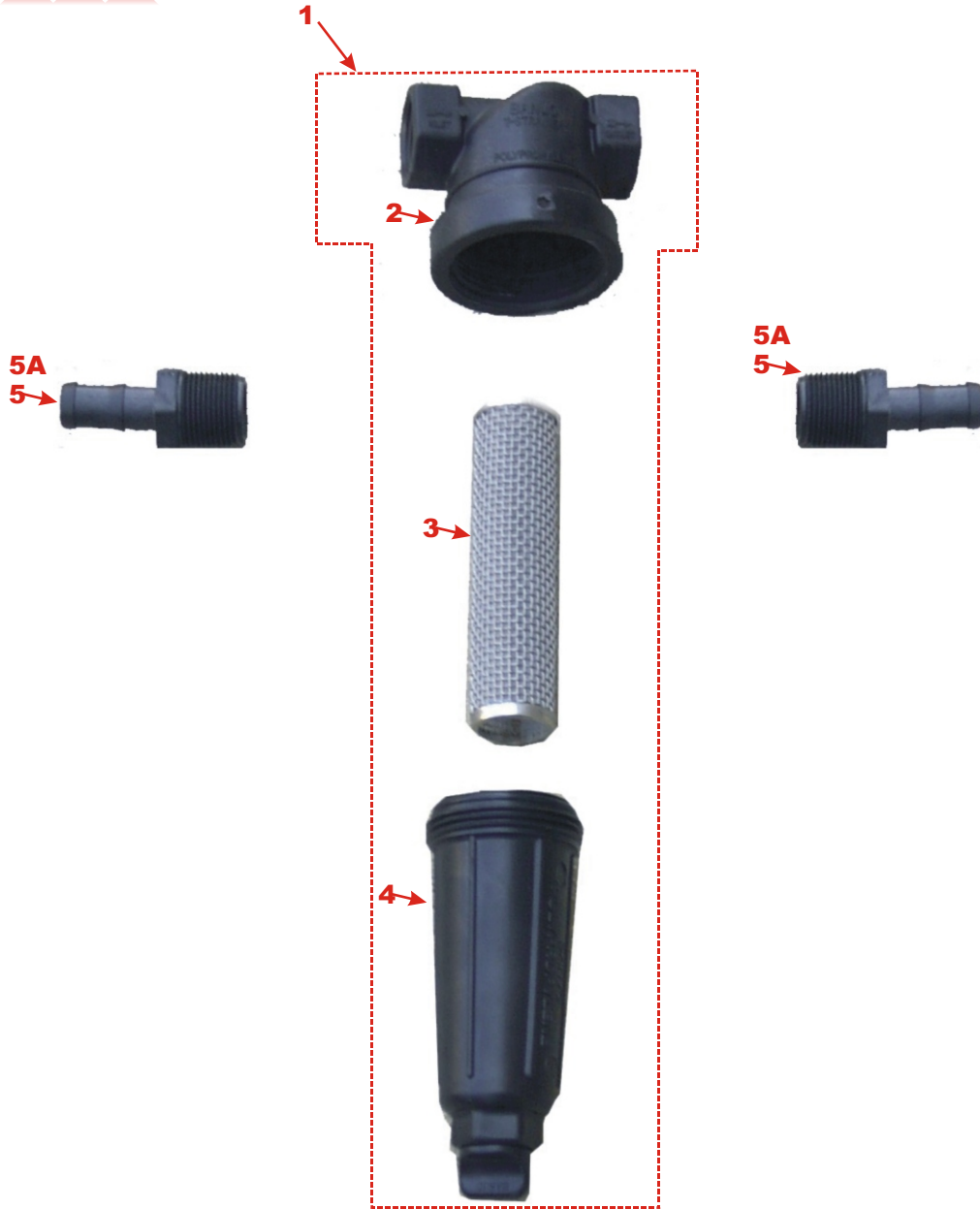


fast Tee Boom Filter



	Part #	Qty	Description
1	BJLST100-50	AS REQ.	FILTER COMPLETE INCLUDES 2, 3, 4.
2	BJLST-100-H	1	TOP FILTER TEE
3	BJLST-150	1	# 50 MESH SCREEN
4	BJLST-100B	1	BOTTOM FILTER CUP
5	BJHB10090	1	HOSE BARB 90 DEG.X1" FOR 80' 90'
6	BJHB100	1	HOSE BARB 1"
5A	BJHB7590	1	HOSE BARB 3/4" 90 DEG. FOR 60'
6A	BJHB75	1	HOSE BARB 3/4" FOR 60'

fast Tee Boom Filter



	Part #	Qty	Description
1	BJLST100-50	AS REQ.	FILTER COMPLETE INCLUDES 2, 3, 4.
2	BJLST-100-H	1	TOP FILTER TEE
3	BJLST-150	1	# 50 MESH SCREEN
4	BJLST-100B	1	BOTTOM FILTER CUP
5	BJHB-100	2	HOSE 1" FOR 80' 90'
5A	BJHB-75	2	HOSE 3/4" FOR 60'

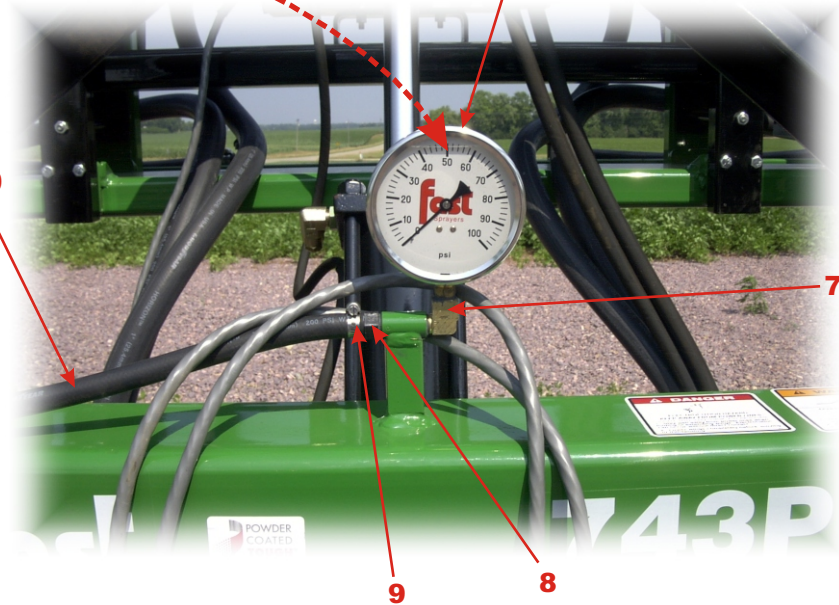
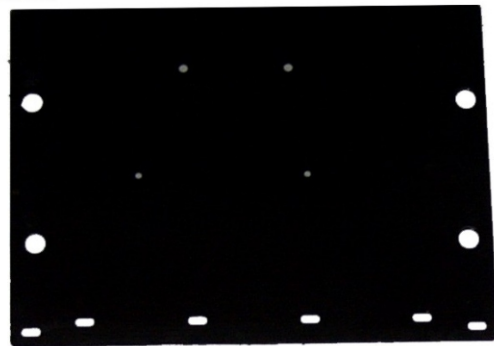
fast Manifold Assembly



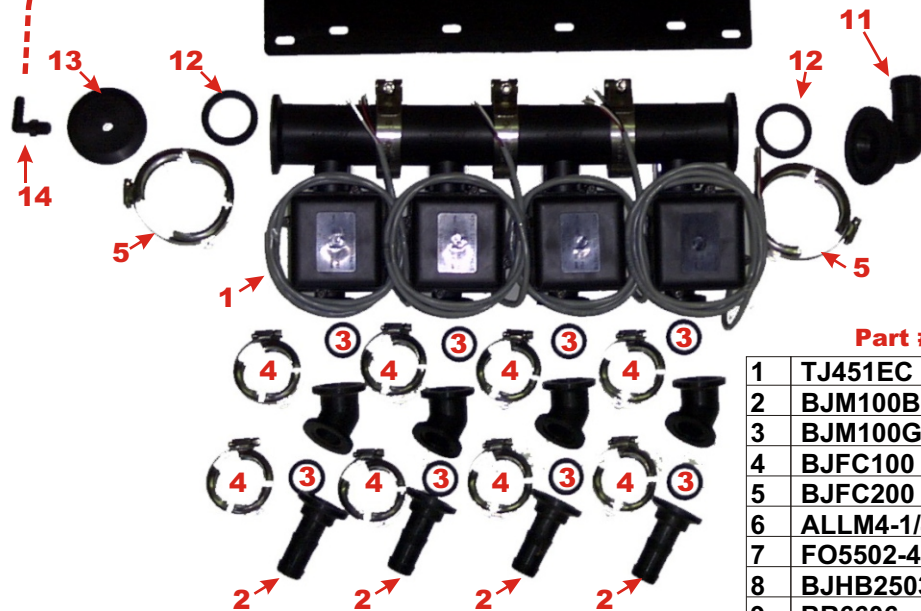
fast Tee Jet Ball Valves w/Manifold And Gauge



See Plumbing Broad Page

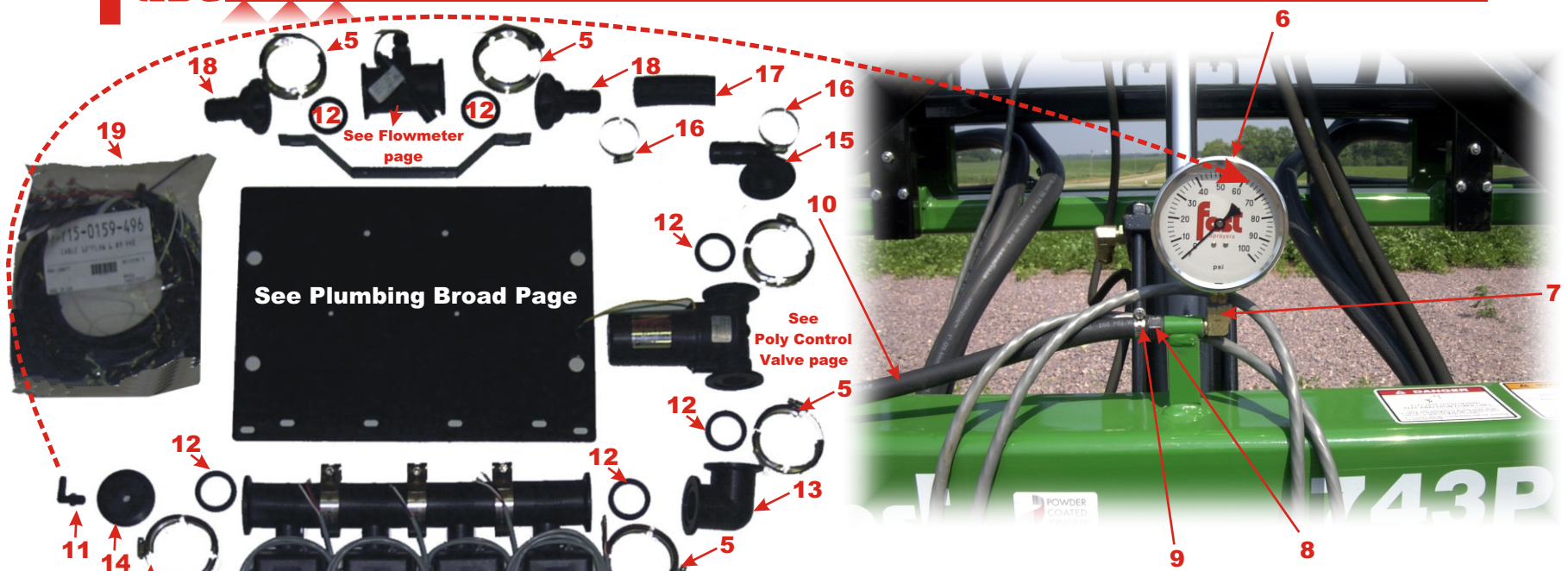


62



Part #	Qty	Description
1		TJ451EC BALL VALVE AS REQUIRED
2		BJM100BRB HOSE BARB 1" AS REQUIRED
3		BJM100G RUBBER AS REQUIRED
4		BJFC100 FLANGE CLAMP AS REQUIRED
5	2	BJFC200 FLANGE CLAMPS
6	1	ALLM4-1/4-100 100 LB B. LIQUID FILLED
7	1	FO5502-4-4 1/4" MALE X 1/4" FEMALE ELBOW
8	1	BJHB25038 1/4" MALE THREAD 3/8" HOSE BARB FITTING
9	1	BR6606 BREEZE 6J STAINLESS HOSE CLAMP
10	1	FA5615 EPDM 038-36" 150 PSI HOSE
11	1	BJM200-125BRB90 2" STD PORT FLANGE X 1 1/4" HOSE BARB 90 DEG.
12	2	BJ150G GASKET
13	1	BJM200PLG025 END CAP 1/4" PORT
14	1	BJHB2538 1/4" X 3/8" HOSE BARB 90 DEG.

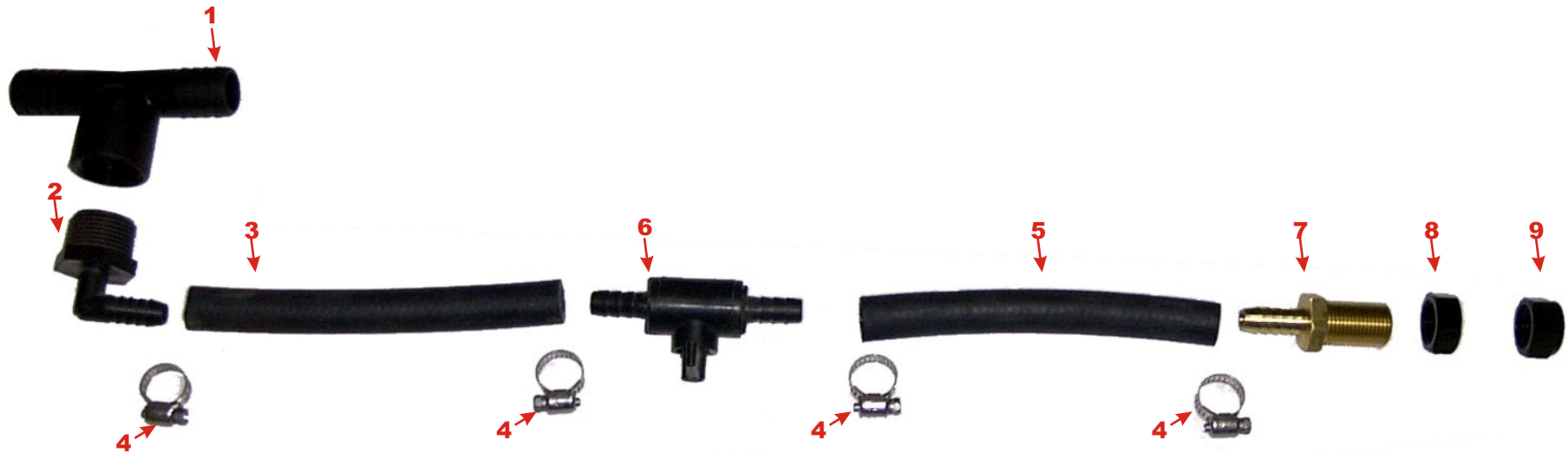
fast Tee Ball Valves w/Manifold and Gauge, w/Raven MCV and Flow Meter



63

Part #	Qty	Description
1		TJ451EC BALL VALVES AS REQUIRED
2		BJM100BRB 1" HOSE BARB AS REQUIRED
3		BJM100G GASKET AS REQUIRED
4		BJFC100 FLANGE CLAMP AS REQUIRED
5	2	BJFC200 FLANGE CLAMPS
6	1	ALLM4-1/4"-100 100LB GAUGE, LIQUID GAUGE
7	1	FO5502-4-4 1/4" MALE X 1/4" FEMALE BARB ELBOW
8	1	BJHB25038 1/4" MALE THREAD 3/8" HOSE BARB FITTING
9	1	BR6606 BREEZE 6J STAINLESS HOSE CLAMP
10	1	FA5615 EPDM O 38"-36" 150 PSI HOSE
11	1	BJHB2538 1/4" X 3/8" HOSE BARB 90 DEG.
12	6	BJ150G GASKET RUBBER WASHER
13	1	BJM200CPG90SH 2"X2" STD PORT FLANGE 90 DEG.
14	1	BJM200PLG025 END CAP 1/4" PORT
15	1	BJM200-125BRB90 1 2" STD PORT FLANGE X 1 1/4" HOSE BARB 90 DEG.
16	2	BRJ20 1 1/4" SCREW CLAMP SS
17	1	FA5616 1 1/4" EDPM X 8"
18	2	BJM200125BRB 2" STD PORT FLANGE X 1 1/4" HOSE BARB
19	1	RA0115-0159-496 12' FLOW CABLE 6 BOOM (450)

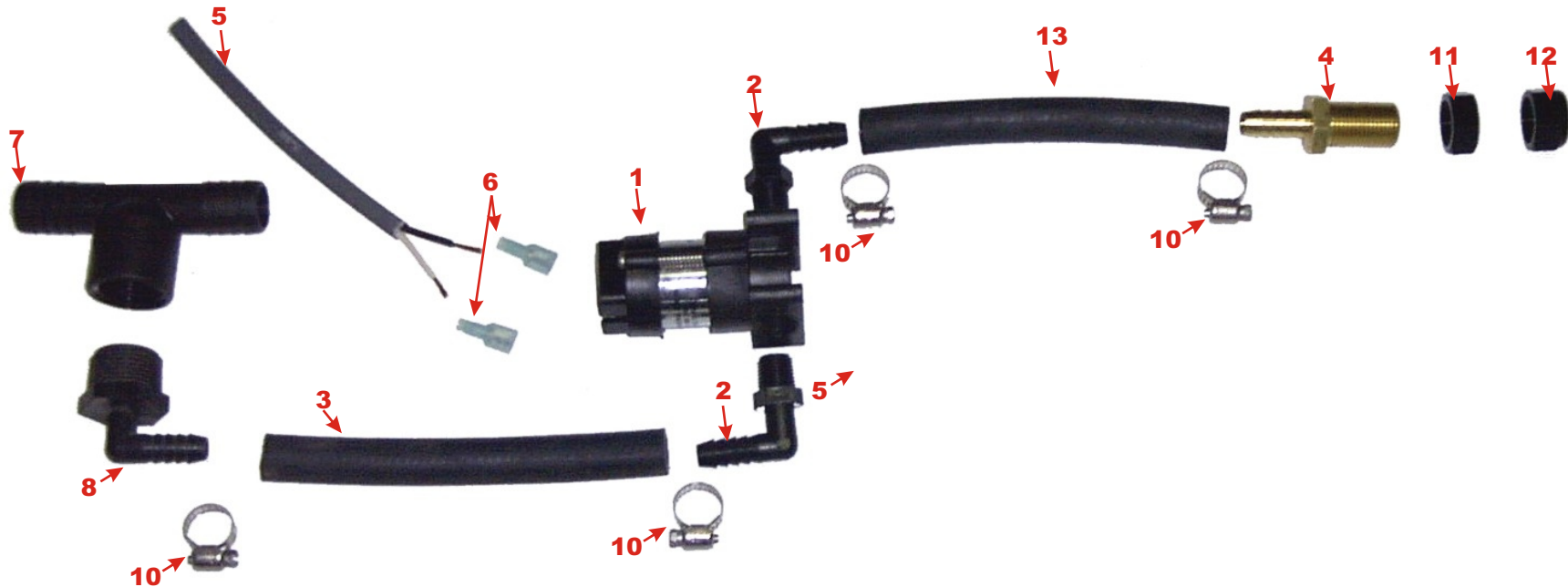
fast Manual Fence Line Plumbing



64

	Part #	Qty	Description
1	PR T 3400F	1	HOSE BARB TEE
2	PR EL 3438	1	90 DEG. W/HOSE BARB
3	FA-5608	1	EDPM038 5" 150 PSI
4	BR6606	4	BREEZE 6J STAIN STEEL 7/16" X 25/32" X 3/8"
5	FA-5609	1	EDPM 038 15" 150 PSI
6	SM FN226-6B-6B-B	1	SPECIALITY MFG VALVE W/HOSE BARB
7	HE 3065	1	HEU'S BRASS MALE FITTING W/HOSE BARB
8	TJ CP16396NYB	1	NYLON LOCKNUT
9	TJ CP8027	1	NYB NYLON CAP

fast Electric Fence Line Plumbing



65

	Part #	Qty	Description
1	TRC2203	1	Texas Rim Core Electric Solinod
2	PRHB25-38	2	3EL38-25 EI Bow Precision
3	FA-5608	1	EPDMD38 5" 150PSI
4	HE-3065	1	Heus BRASS FITTING
5	WAW14-2	1	Waytek WIRE
6	WA31518	2	Waytek WIRE CLIPS
7	PRT3400F	1	Hose Barb Tee
8	PREL3438	1	3/8" 90 deg Male To Hose Barb
9	BR6606	4	Breeze 6J-S.S 7/16" X 25/32" X 3/8 Clamp
10	TJCP16396NYB	1	Nylon Lock Nut
11	TJCP8027NYB	1	Nylon Cap
12	FA5610	1	EDPM038 - 125" 150 PSI

fast Plumb Broad Mounting Bracket

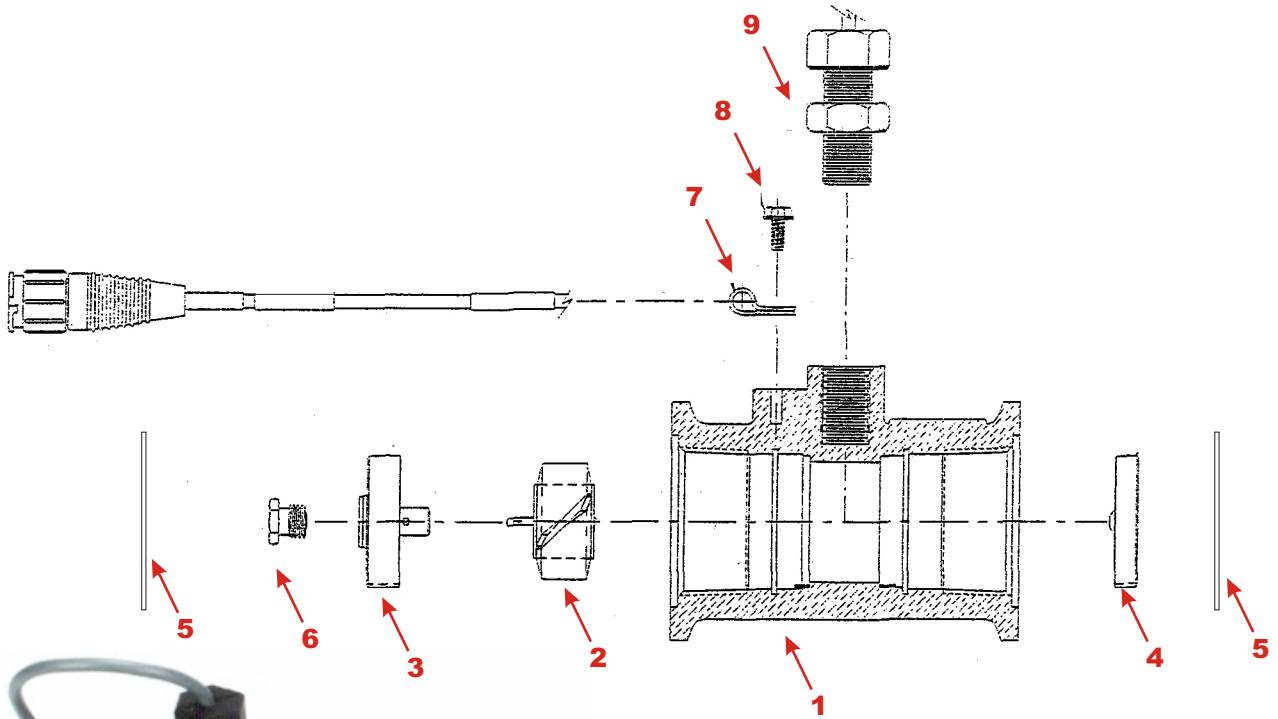


	Part #	Qty	Description
1	FA574	2	5/8" X 5"X7" U BOLT
2	FA2010	2	AXLE MOUNT BRACKET
3	FA261	4	5/8" FLAT WASHER
4	FA253	4	5/8" LOCK WASHER
5	216	4	5/8" COURSE NUT

fast RFM 60 Flow meter Replacement Parts

063-0171-793

ITEM	DESCRIPTION	RAVEN PART #
1	Body, RFM 60 P Flowmeter	106-0159-514
2	Rotor/Magnet Assembly	063-0171-673
3	Hub/Bearing Assy, Upstream	063-0171-674
4	Hub assembly, Downstream	063-0171-769
5	Ring, Retaining, Internal	335-0000-278
6	Stud Bearing	063-0159-570
7	Clamp, Cable	435-3002-017
8	Screw, Thread Forming	310-0002-137
9	Sensor, assembly, External	063-0171-669



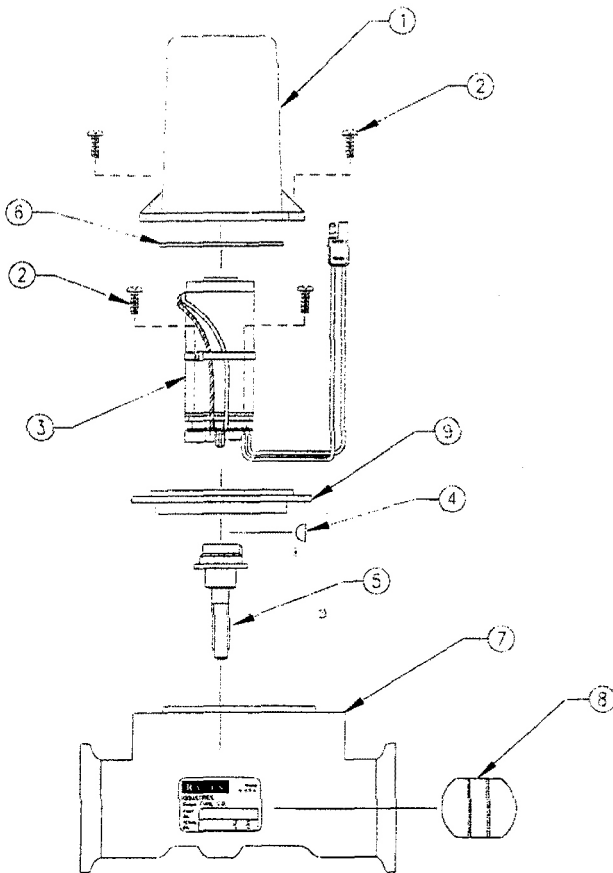
fast 1' Poly Control Valve Replacement Parts

063-0172-125

ITEM	DESCRIPTION	RAVEN PART #
1	Valve Cover	106-0159-407
2	#6-32 x 3/4" Lg. Screw	321-0000-256
3	Motor Assembly	063-0159-409
4	Woodruff Key	321-0000-062
5	Coupler Shaft Assembly (1" Valve)	019-0159-016
6	Seal Tetraseal	219-0000-020
7	Valve Body Assembly (1" Valve)	063-0172-124
8	Butterfly (1" Valve)	106-0159-411
9	Isolation Flange Assembly	063-0159-457
10	*Iso-Body Kit (1" Valve) (Not Shown)	117-0159-810
11	*Polarity Reversal Jumper (Not Shown)	115-0159-415
12	Loctite RC-609 (Not Furnished)	222-1001-050

*NOT SUPPLIED WITH STANDARD UNIT

NOTE: • Iso-Body kit includes items 2 and 4 thru 9.



When servicing Valve:

Replace valve body with iso-body kit (item 10) if valve has been leaking internally.

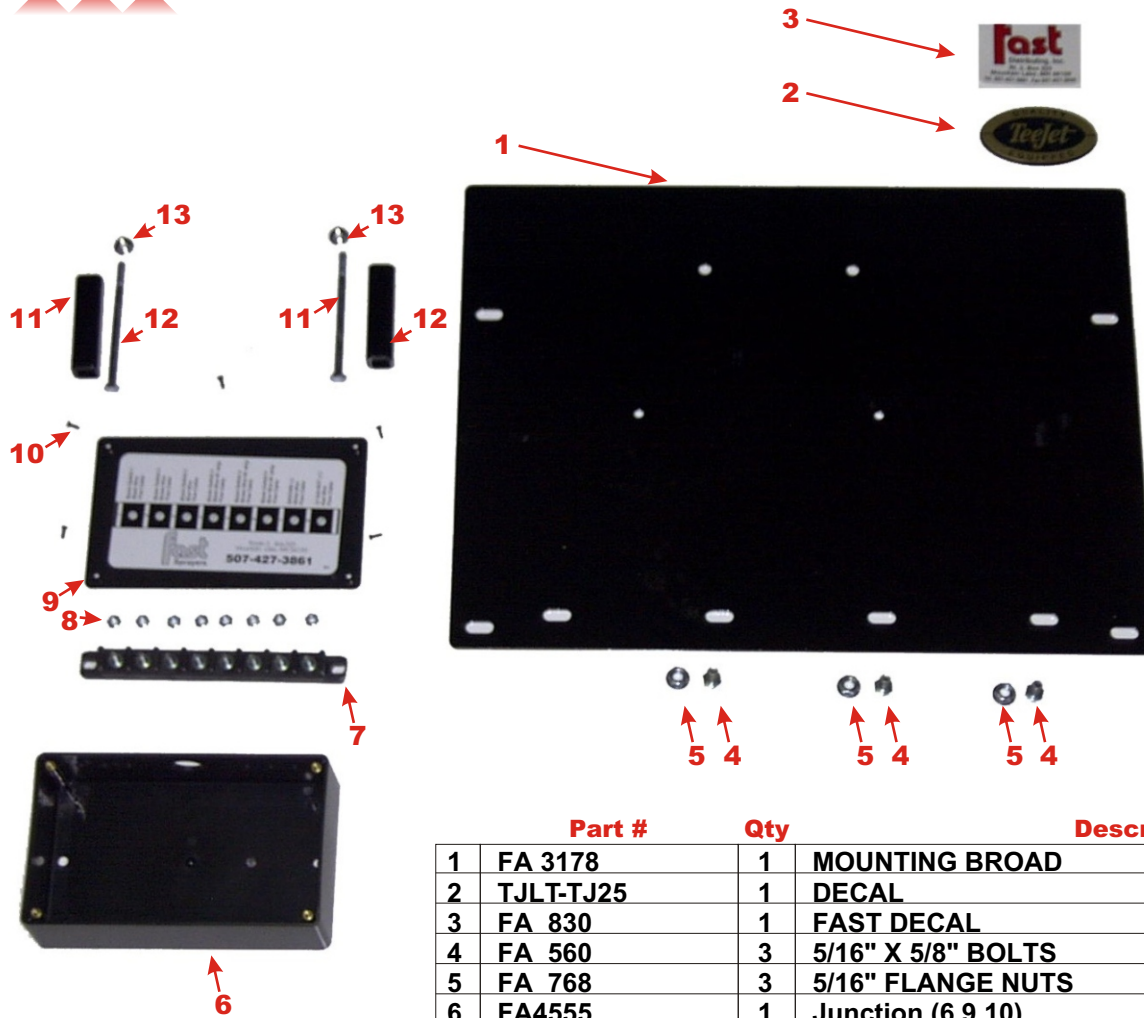
Replace motor assembly if the motor will not run.

Before reassembling valve, remove the coupler shaft from the valve body. Apply Loctite (item 12) to coupler shaft and woodruff key. Place the coupler shaft (item 5) and the woodruff key (item 4) onto the motor shaft. Plug motor into the valve connector coming from Sprayer Control Console. Check that the motor rotates in both directions. Motor must stop when coupler shaft CAM releases printed circuit board button.

When reassembling valve, grease both sealing surfaces of coupler shaft. Insert coupler shaft into iso-flange and be sure seal properly seats on shaft. Install motor on valve body and apply silicon sealant to mounting holes. Reassemble remaining items as shown in parts diagram.

RAVEN INDUSTRIES, INC.

fast Plumbing Broad



	Part #	Qty	Description
1	FA 3178	1	MOUNTING BROAD
2	TJLT-TJ25	1	DECAL
3	FA 830	1	FAST DECAL
4	FA 560	3	5/16" X 5/8" BOLTS
5	FA 768	3	5/16" FLANGE NUTS
6	FA4555	1	Junction (6,9,10)
7	WA 47218	1	WIRING CONTROL BAR WAYTEK
8	FA 561	8	10/24 HEX NUTS
9	J 1244A LID	1	WIRING POLY CASE COVER
10		4	440--3/8 SCREW PART OF 9
11	FA 7907	2	SPACER
12	108	2	1/4" X 4" BOLTS
13	767	2	1/4" FLANGE NUTS

fast Feed Line Plumbing



70

	Part #	Qty	Description
1	BJHBT100	1	1" Hose Barb Tee
2	HBT075-100	1	3/4" X 3/4" X 1" Hose Barb Tee
3	FA-5614	1	EDPM 100 1 1/2" Hose 200 PSI 1" Hose 1 1/2" long
4	BR64016H	2	Breeze 16 J S. S. Screw Clamp

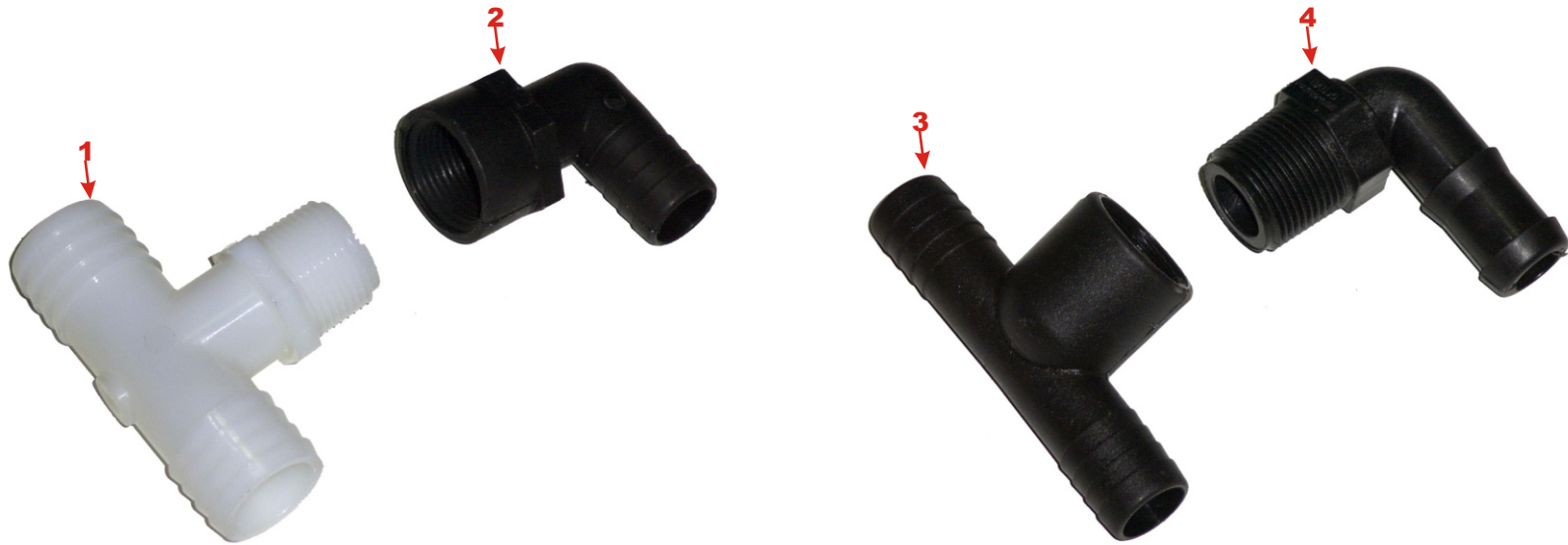
fast Feed Line Plumbing



71

	Part #	Qty	Description
1	PRBJT3400F	1	3/4" Hose Barb Tee
2	BJHB075-90	1	3/4" Male Thread X 3/4" Hose Shank 90 deg

fast Feed Line Plumbing



72

	Part #	Qty	Description
1	PRT3400M	1	Hose Barb Tee
2	PRE3400F	1	90 deg Elbow
3	PRET3400F	1	HOSE BARB, FEMALE PIPE T
4	BJHB075-90	1	HOSE BARB 90 DEG.

fast Quick Tee Jet Nozzle Bodies

QJ360 Nozzle Body Series for Dry Boom

- Available with either 3, 4 or 5 spray positions for easy change of spray tips or quick boom flushing
- Positive shutoff between each spray position
- Maximum operating pressure of 300 PSI (20 bar)
- Available in ½", ¾" or 1" single or double hose shanks
- Includes ChemSaver® diaphragm check valve for drip-free shutoff
- Durable design mounts body high on boom structure for maximum protection
- Standard EPDM diaphragm with Viton® available as an option



QJ300 Series Diaphragm Check Valve Quick TeeJet® Nozzle Assemblies

Low profile design allows maximum protection against damage. Available with single and double hose shanks for ¾", ½" and ¾" I.D. hose. Drip-free shutoff. Opens at 10 PSI (0.7 bar). Standard diaphragm is EPDM with Viton® optional. Maximum operating pressure is 300 PSI (20 bar).

QJ300 Series are available in polypropylene and are rated to 150 PSI.

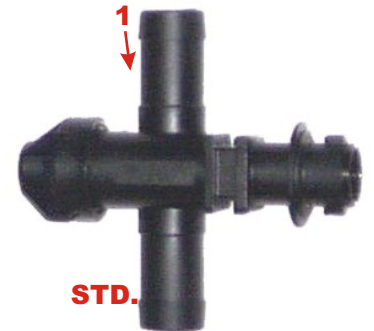
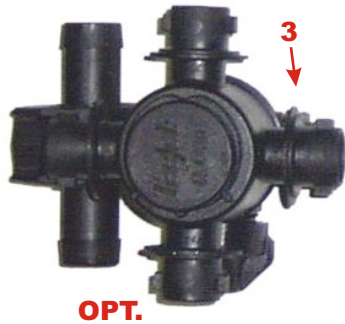
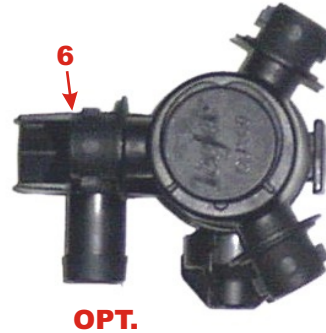
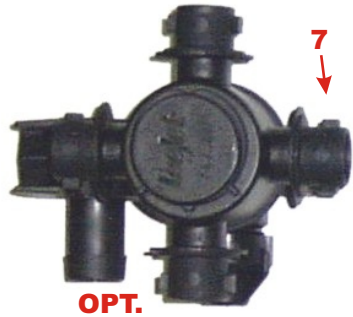
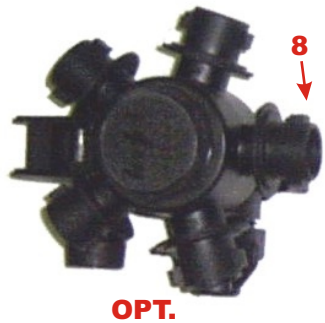


Part Number Single	To Fit Hose I.D.
22251-311-375-NYB	¾"
22251-311-500-NYB	½"
22251-311-750-NYB	¾"



Part Number Double	To Fit Hose I.D.
22252-312-375-NYB	¾"
22252-312-500-NYB	½"
22252-312-750-NYB	¾"

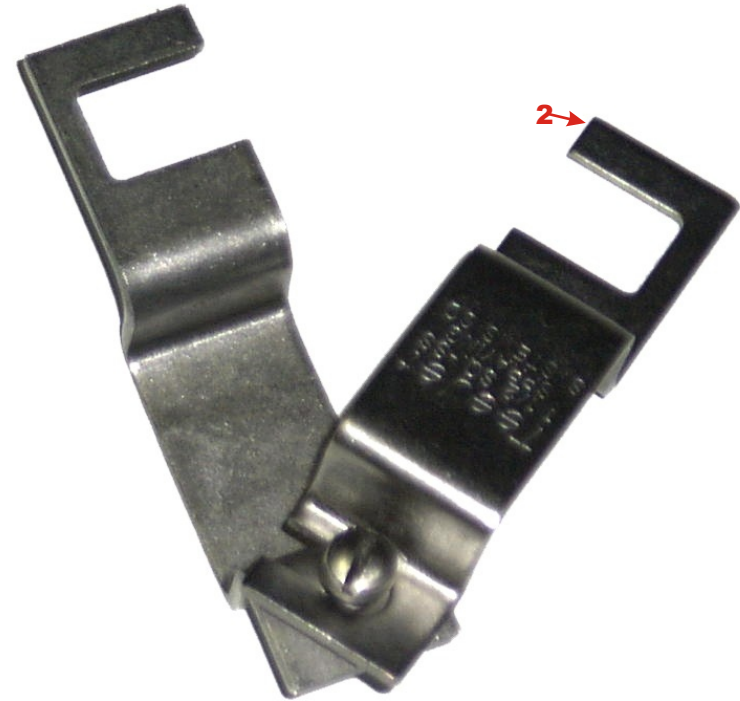
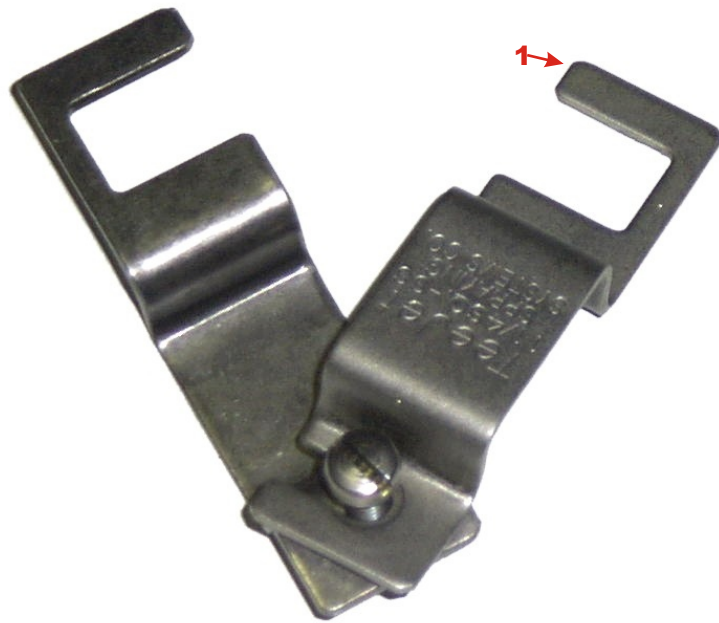
fast Tee Jet Nozzle Bodies



74

	Part #	Qty	Description
1	TJ 22251-312-750NYB	AS REQ.	750 SINGLE HOSE SHANK QUICK TEEJET
2	TJ OJ363-2-NYB-750	AS REQ.	NOZZLE BODY W/SINGLE HOSE SHANK
3	TJQJ364-2-NYB-750	AS REQ.	NOZZLE BODY W/SINGLE HOSE SHANK
4	TJQJ365-2-NYB-750	AS REQ.	NOZZLE BODY W/SINGLE HOSE SHANK
5	TJ 22252-311-750-NYB	AS REQ.	750 DOUBLE HOSE SHANK QUICK TEEJET NOZZLE BODY W/DIA
6	TJQJ 363-1-NYB-750	AS REQ.	NOZZLE BODY W/DOUBLE HOSE SHANK
7	TJQJ-364-1-NYB-750	AS REQ.	NOZZLE BODY W/DOUBLE HOSE SHANK
8	TJQJ-365-1-NYB-750	AS REQ.	NOZZLE BODY W/DOUBLE HOSE SHANK

fast Stainless Steel Nozzle Clamps



75

	Part #	Qty	Description
1	TJQJ111SQ 1 1/4" 304SS	1	Var Spacing Quick Tee Jet Clamp
2	TJQJ111SQ 1 1/2" 304SS	1	Var Spacing Quick Tee Jet Clamp

fast Section 5 - Electrical

Rear Lights and Cables	77
440 Raven with Cable Common on Fast Sprayers	78
450 Raven with Cable Common on Fast Sprayers	79
Speed Cable and Radar Common on Fast Sprayers	80
Radar Interface Cables	81
Radar Speed Sensor Interface Cable	82



fast Rear Lights And Cables



	Part #	Qty	Description
1	WFC107246	1	Left Rear Light
2	WFC107247	1	Right Rear Light
3	FA1520(7431)	1	Light Cable 13'

fast 440 Raven With Cable Common On Fast Sprayers

Optional



78

	Part #	Qty	Description
1	RA115-0159-492	1	10' Flow Cable
2	RA115-0159-496	1	12' Cable
3	RA063-0171-183	1	440 Console w/Ser. Interface
4	RA016-0159-822	1	Book

fast 450 Raven With Cable Common On Fast Sprayers

Optional

2



3



1



4



79

	Part #	Qty	Description
1	RA063-0171-220	1	Console w/Ser. Interface
2	RA115-0159-492	1	10' Console Cont. Cable
3	RA115-0159-496	1	12' Flow Cable
4	RA016-0159-831	1	Book

fast Speed Cable And Radar Common On Fast Sprayers

Optional



80

	Part #	Qty	Description
1	RA115-0159-539	1	12' Radar Cable
2	RA115-0159-032	1	12' Speed Sensor Ext Cable
3	RA063-0159-835	1	Radar
4	RA4189	1	Radar Bracket
5		1	Sold as 1/4"X1" BOLT, 1/4" NUTS 1/4" LOCK WASHER, 1/4" FLAT WASHER
6	RA016-0159-458	1	Book

fast Radar Interface Cables

Optional



EXAMPLE
SEE NEXT PAGE

	Part #	Qty	Description
1	115-0159-700	1	Radar Adapt. Cable (J.D 7000-8000)
2	115-0159-627	1	Radar Adapt. Cable (D.J. /CAT65C, 75C)

fast Radar Speed Sensor Interface Cable

RADAR TYPE	VEHICLE TYPE	CONSOLE WITH REV. "E" OR LATER	CONSOLE WITH REV. "D" OR EARLIER
RAVEN	Ford Gen./Vers./New Holland	115-0159-754	
	John Deere	115-0159-550	N/A
	Case-IH	115-0159-551	N/A
Dickey-John/Vansco	Ford Gen./Vers./New Holland	115-0159-709	
	•• John Deere	115-0159-519	063-0159-795
	•• John Deere 7000/8000/9000 Series	115-0159-700	
	•• Case-IH	115-0159-517	063-0159-793
	•• Cat Challenger		
	•• (Models 65 & 75)	115-0159-518	063-0159-794
	•• (Models 65C & 75C)	115-0159-627	N/A
	•• (Models 65D, 75D & 85D)	"	"
	•• (Row Crop 35, 45, 55)	"	"
	•• Ford/White/Agco Allison ••	115-0159-529	063-0159-822
•• Other	115-0159-526	063-0159-598	
•• Cat 600-800 series	115-0159-580		
Magnavox/Phillips	•• John Deere	115-0159-519	063-0159-795
	•• Other	117-0159-462	063-0159-599
TRW	Case-IH	115-0159-432	063-0159-589
	Other	117-0159-463	063-0159-589

•• 1990 Model year or later with factory installed performance monitor.

Radar Speed Sensor Part #	Components Included In Cable Assemblies		
	Radar Cable P/N	Radar Adapter	Radar Interface
063-0159-589	115-0159-432	Not Used	063-0159-590
063-0159-598	115-0159-434	Not Used	063-0159-590
063-0159-599	115-0159-436	Not Used	063-0159-590
063-0159-793	115-0159-517	Not Used	063-0159-590
063-0159-794	115-0159-518	Not Used	063-0159-590
063-0159-795	115-0159-519	Not Used	063-0159-590
063-0159-822	115-0159-529	Not Used	063-0159-590
115-0159-432	115-0159-432	Not Used	Not Used
115-0159-517	115-0159-517	Not Used	Not Used
115-0159-518	115-0159-518	Not Used	Not Used
115-0159-519	115-0159-519	Not Used	Not Used
115-0159-526	115-0159-526	Not Used	Not Used
115-0159-529	115-0159-529	Not Used	Not Used
115-0159-539	115-0159-539	Not Used	Not Used
115-0159-550	115-0159-550	Not Used	Not Used
115-0159-551	115-0159-551	Not Used	Not Used
115-0159-552	115-0159-552	Not Used	Not Used
115-0159-627	115-0159-627	Not Used	Not Used
115-0159-700	115-0159-700	Not Used	Not Used
115-0159-709	115-0159-709	Not Used	Not Used
117-0159-462	115-0159-436	115-0159-522	Not Used
117-0159-463	115-0159-432	115-0159-522	Not Used
115-0159-754	115-0159-754	Not Used	Not Used

fast Section 6 - Foamer

Scorpion Foamer 20 Gal.	84
Scorpion Foamer 20 Gal. Part List	85
SC20-ELFMII EVERLAST FOAM MARKERS	86
SC20-ELFMII EVERLAST FOAM MARKERS	87
SC20-ELFMII EVERLAST FOAM MARKERS	88
SC20-ELFMII EVERLAST FOAM MARKERS	89
SC20-ELFMII EVERLAST FOAM MARKERS	90
SC20-ELFMII Part List	91
Foamer Mounting Brackets	92



fast Scorpion Foamer 20 Gal.

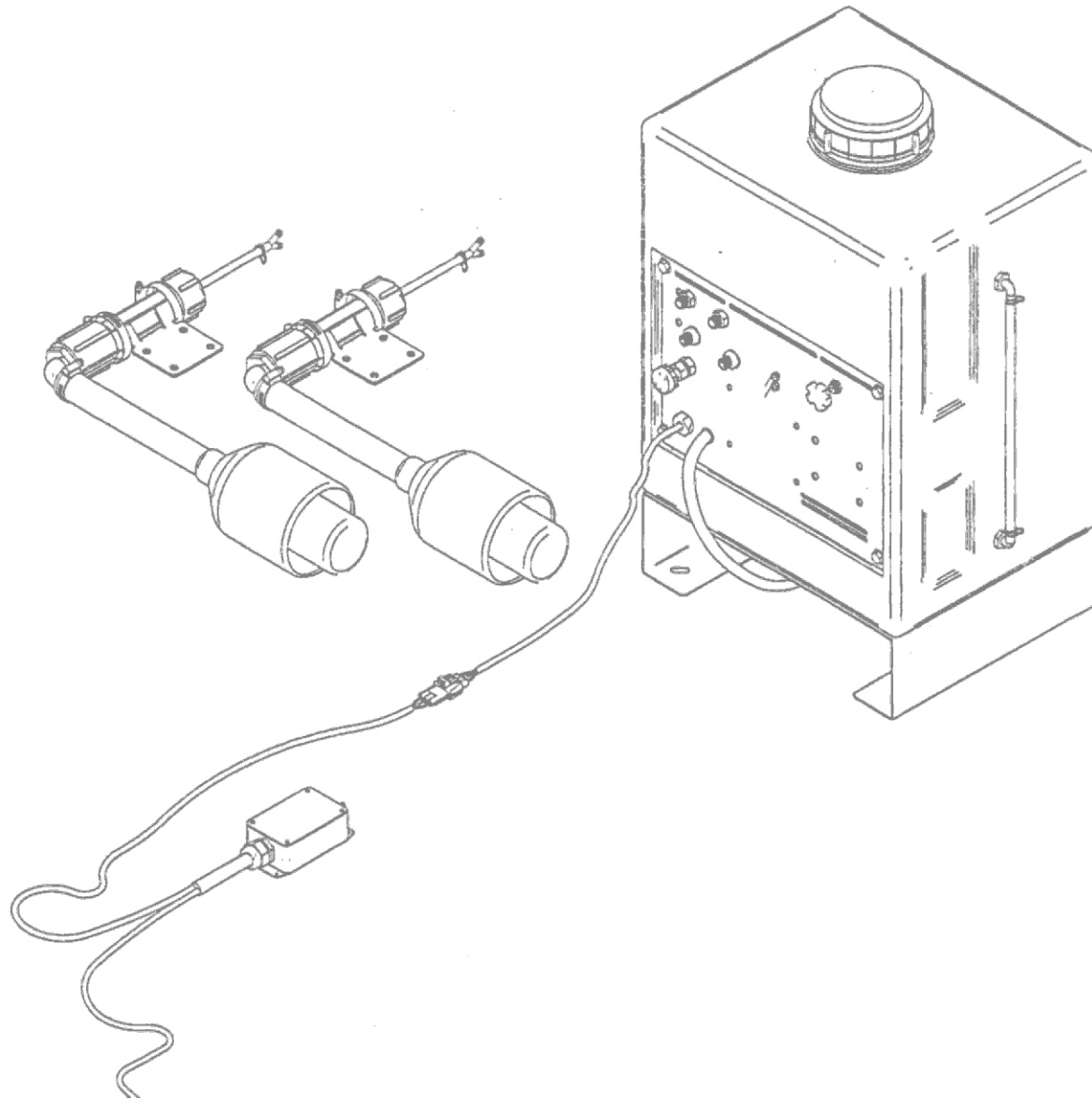


fast Scorpion Foamer 20 Gal. Part List

	Part #	Qty	Description
1	AS SC20EZFM11	1	COMPLETE FOAM
2	36J	4	BREEZE HOSE CLAMP
3	AS Y 1400	2	1/4" X 1/4" X 1/4" FITTING
4	16750	1	1/2"NPTX 1/2 NPT LINE STRAINER
5	6JM	2	HOSE CLAMP
6	EL 1400	2	1/4" MPTX 1/4" HOSE SHANK ELBOW
7	SC 1100	8	SQUEEZE CLAMP
8	HB 125-100	2	1 1/4" MPTX 1" HOSE SHANK
9	SC 2011	2	FOAM COLLECTOR BOOT
10	SC 5003 H	1	SWITCH BOX WIRING HARNESS
11	FA768	2	5/16" NUTS
12	FA 570	4	5/16" X 1 1/4" BOLTS
13	16	FA	570
14	MPS 100	2	HOSE
15	SC 10 EXT	1	CABLE EXT
16	205X375 UT	2	1/4" CLEAR VINYL TUBING
17	SC 2021	2	FOAM COLLECTOR SOCK
18	16 J	4	SCREW HOSE CLAMP
19	20 J	2	SCREW HOSE CLAMP
20	A 1238	1	1/2"MPT X 3/8" HOSE SHANK
21	SE 1200	1	1/2"FPT X 1/2"MPT ELBOW
22	FA7838	2	1 1/2"x 2 1/2"x 28" MTD. BAR, 1000 GAL. SPRAYERS
23	FA7955	2	1 1/2"x 2 1/2"x 36" MTD. BAR, 1600 GAL. SPRAYERS

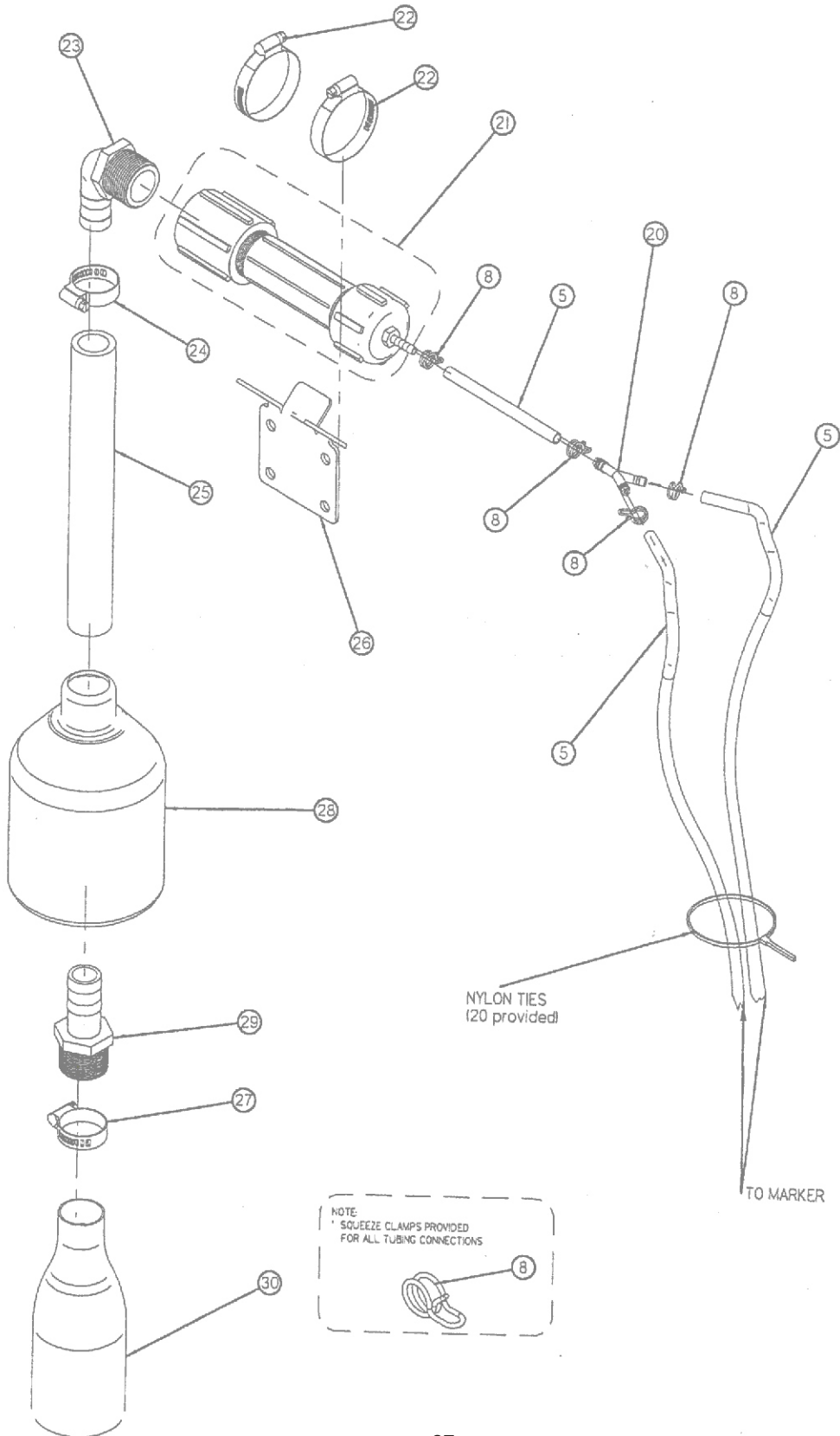


fast SC20-ELFMII EVERLAST FOAM MARKERS



fast SC20-ELFMII EVERLAST FOAM MARKERS

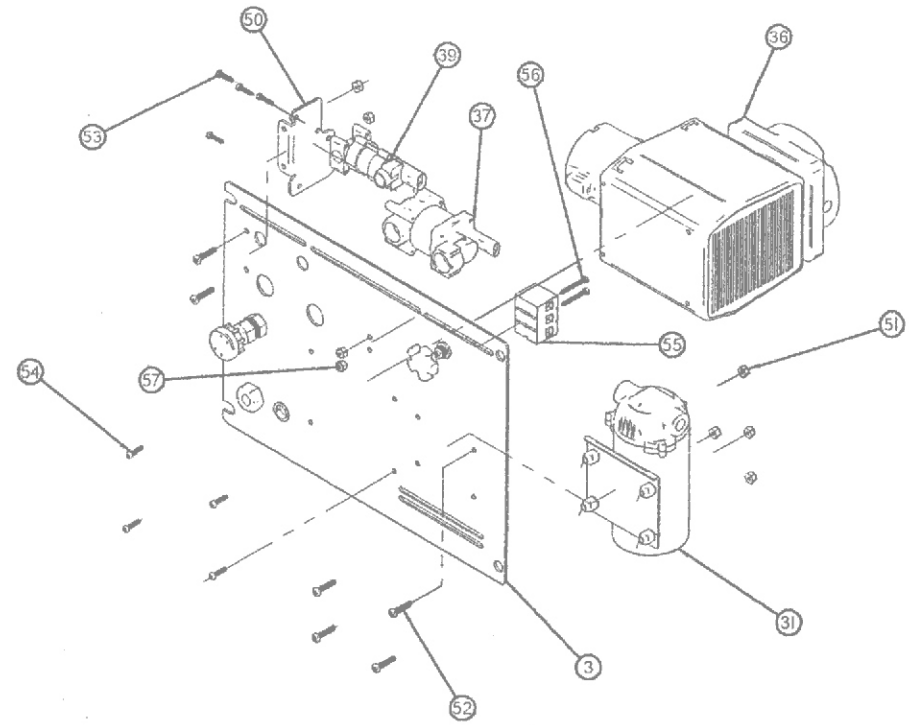
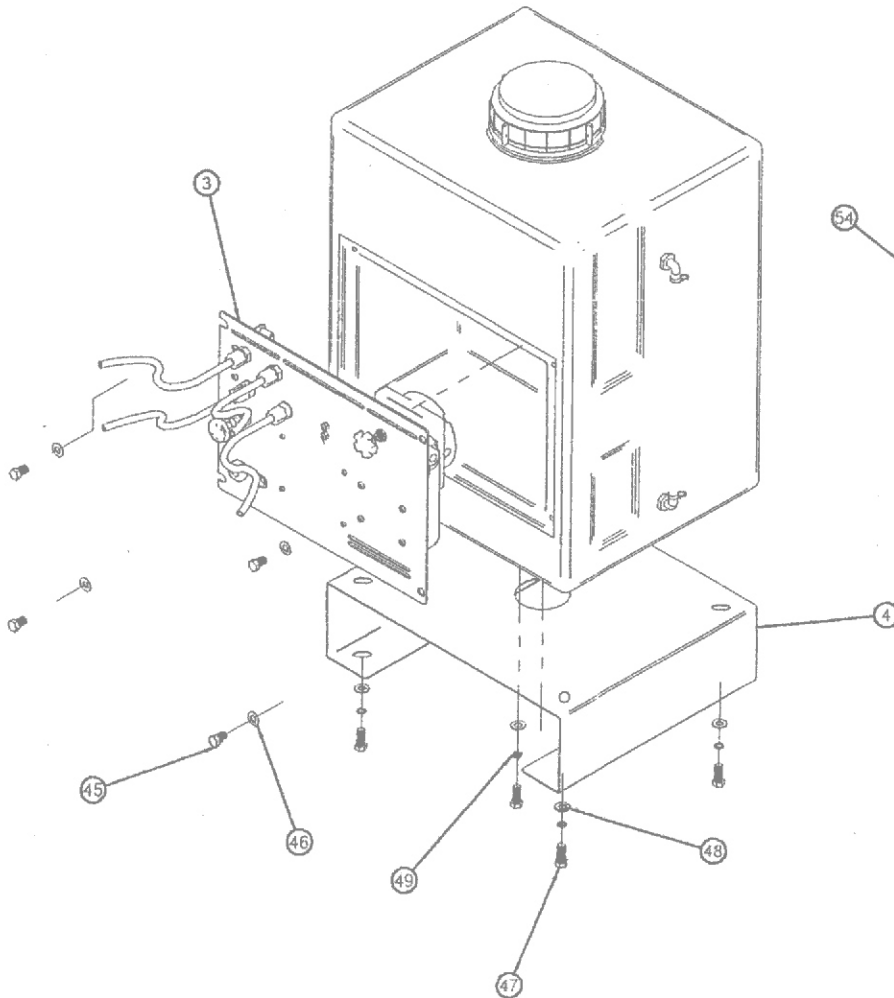
FOAM CHAMBER & BOOT ASSEMBLY



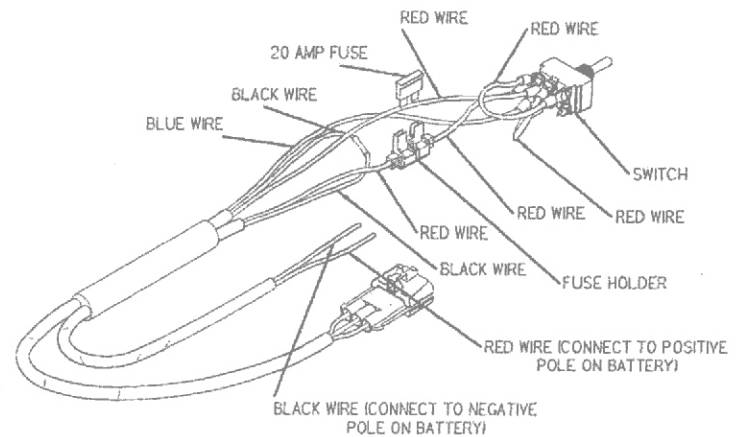
fast SC20-ELFMII EVERLAST FOAM MARKERS

INTERNAL COMPONENTS INSTALLATION DIAGRAM

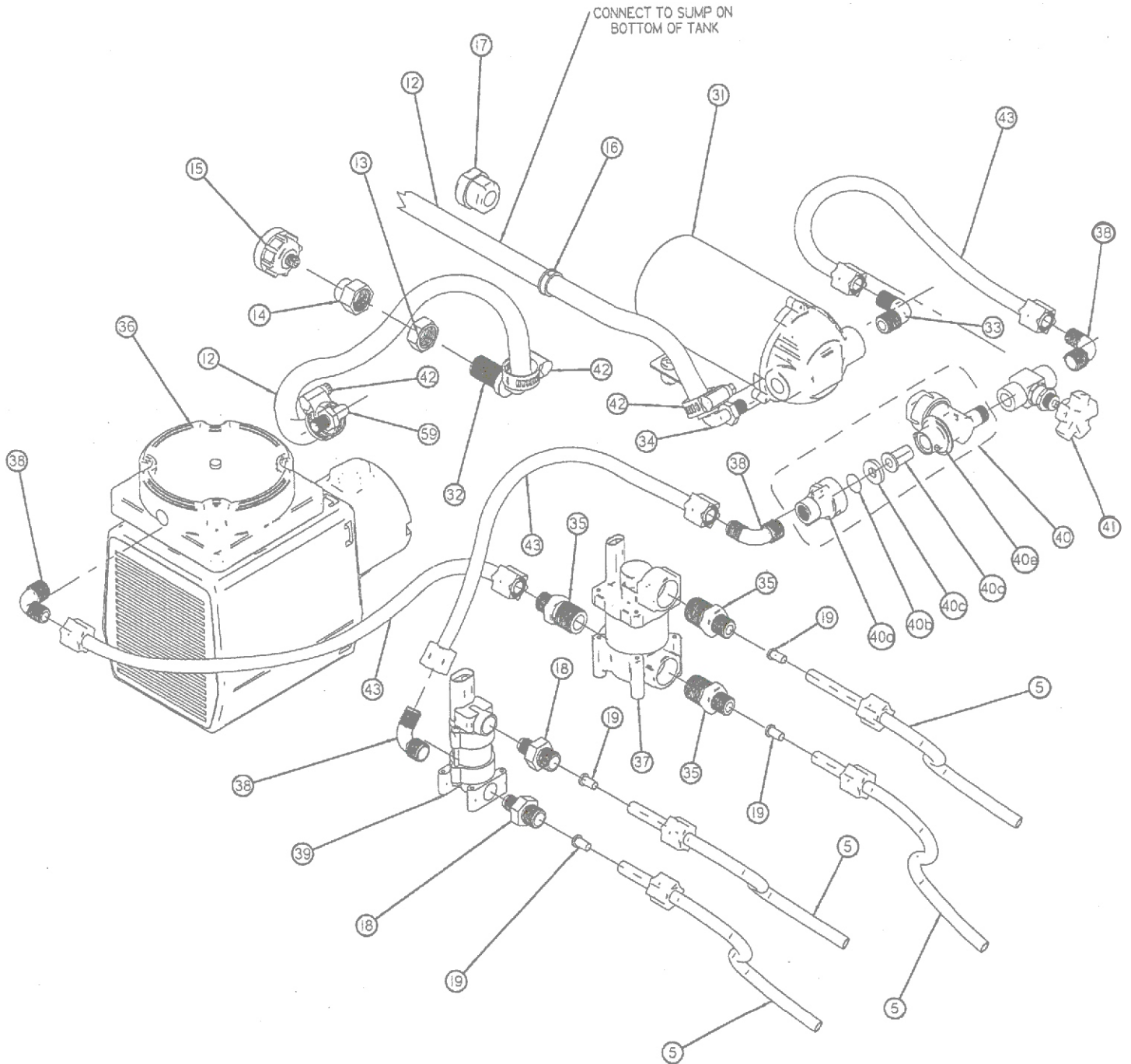
MOUNTING ASSEMBLY DIAGRAM



LEFT/OFF/RIGHT SWITCH WIRING DIAGRAM

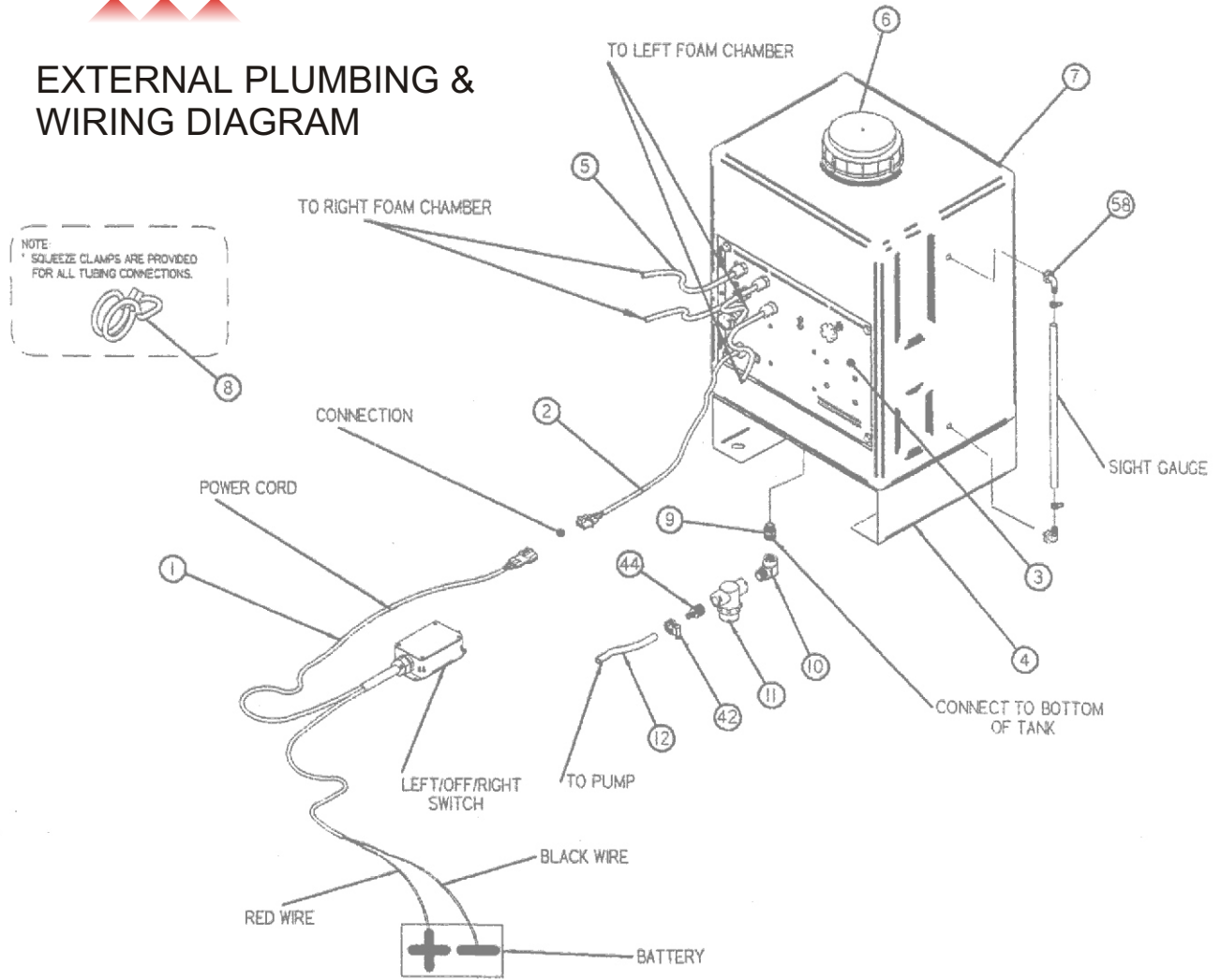


fast SC20-ELFMII EVERLAST FOAM MARKERS

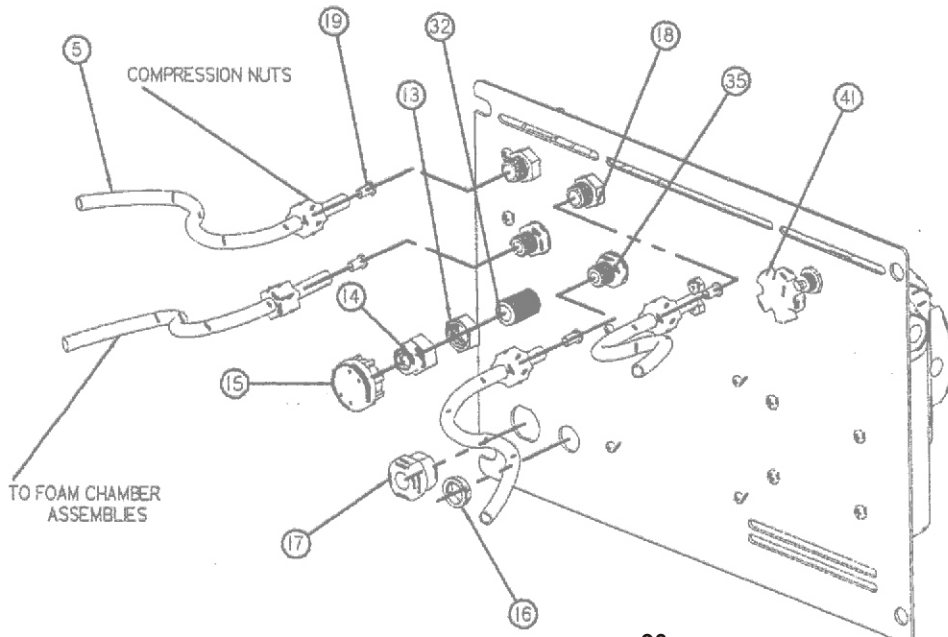


fast SC20-ELFMII EVERLAST FOAM MARKERS

EXTERNAL PLUMBING & WIRING DIAGRAM



EXTERNAL COMPONENTS DIAGRAM

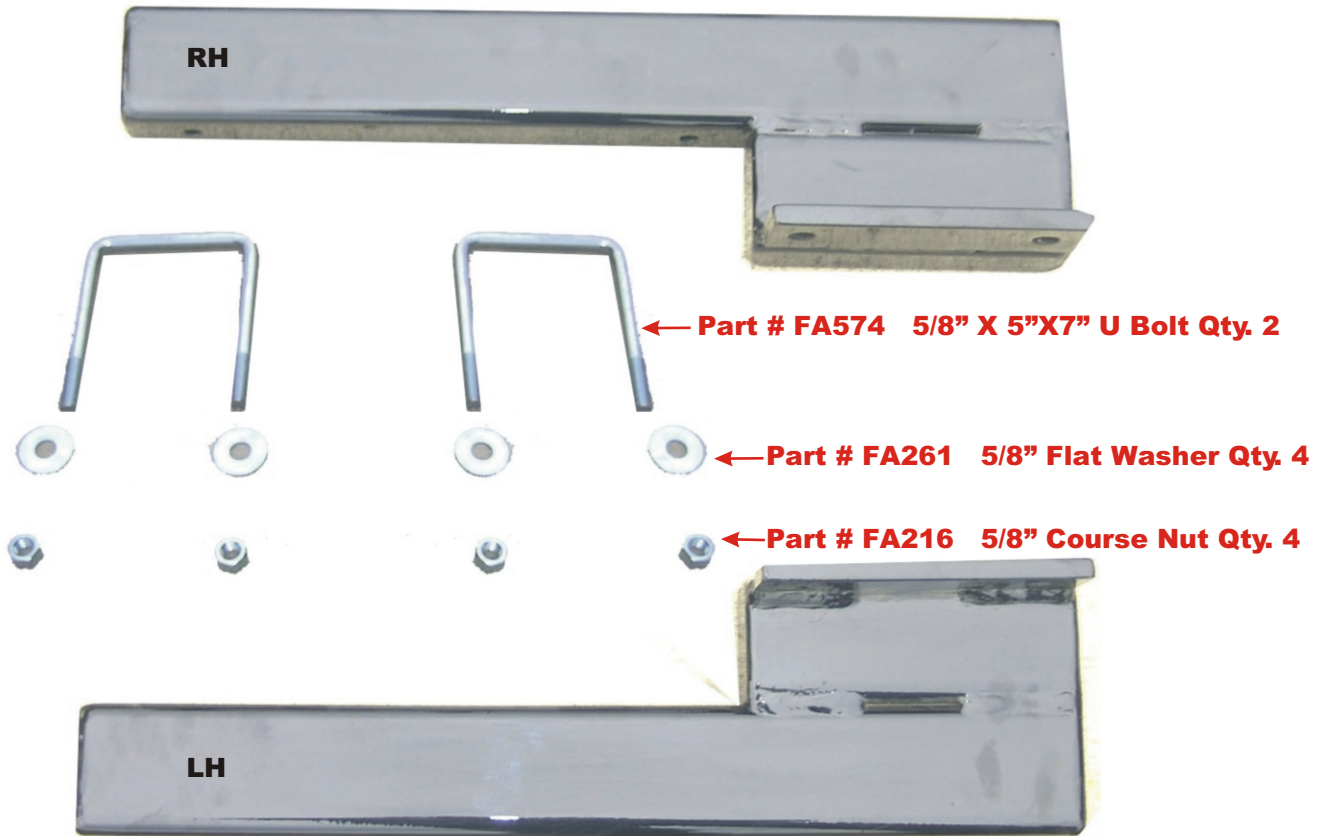


fast SC20-ELFMII Part List

Item Number	Document Number	Title	Quantity	Item Number	Document Number	Title	Quantity
1	SC-5003H	SWITCH BOX WIRING HARNESS (HIGH CAPACITY)	1	34	EL3800	3/8" MPT X 3/8" HOSE SHANK ELBOW	1
2	SC-5004H	PLATE HARNESS (HIGH CAPACITY)	1	35	I90N	3/8" T X 1/2" P MALE	3
3	6078	MOUNTING ASSEMBLY PLATE	1	36	D0A-P101-KH	HIGH CAPACITY GAST COMPRESSOR	1
4	6012	BASE PLATE	1	37	SC3004H	HIGH CAPACITY SOLENOID	1
5	250X375VT	1/4" CLEAR VINYL TUBING	7	38	233N	3/8" T X 1/4" P ELBOW	4
6	LD30-101	TANK LID	1	39	SC-3004A-00	SOLENOID ASSEMBLY (STANDARD)	1
7	AGSC-7000	20 GALLON TANK	1	40	SC-1750-00	CHECK VALVE ASSEMBLY	1
8	SC-1100	SQUEEZE CLAMPS	10	40a	QJ4676-1/4-NYR	QUICK CONNECTOR CAP	1
9	M1238	1/2" MPT X 3/8" MPT	1	40b	CP4916-57	#57 METERING ORIFICE	1
10	SE1200	1/2" FPT X 1/2" MPT ELBOW	1	40c	CP19438-EPR	DIAPHRAGM	1
11	I6750	1/2" NPT X 1/2" NPT LINE STRAINER	1	40d	8079-PP-100	100 MESH TIP STRAINER	1
12	MPS038	3/8" HOSE	2	40e	QJ8360-NYB-2	QUICK CONNECT DIAPHRAGM NOZZLE BODY	1
13	B12	11/16" PACK NUT	1	41	589-4F4F	NEEDLE VALVE	1
14	NF1618	FNBT X 1/8"	1	42	350006102	MM-6 MINI CLAMP	4
15	SC-3010	AIR FILTER	1	43	66PN	3/8" OD TUBING .062 WALL	3
16	22MP01070	SNAP BUSHING	1	44	A1238	1/2" MPT X 3/8" HOSE SHANK	1
17	23MP09P20	LARGE STRESS RELIEF	1	45	601-038-0062	3/8" X 5/8" BOLTS S.S.	4
18	I88N	3/8" T X 1/4" P	2	46	647-038	3/8" FLAT WASHERS S.S.	4
19	362N	3/8" INSERT	4	47	105-038-0100	3/8" X 1" BOLTS	4
20	Y1400	1/4" X 1/4" X 1/4" Y-FITTING	2	48	302-038	3/8" FLAT WASHERS	4
21	SC-2050	FOAM CHAMBER	2	49	305-038	3/8" LOCK WASHERS	4
22	H32-SS	#32 GEAR CLAMP	4	50	6079	SOLENOID MOUNTING PLATE	1
23	HBI25/100-90	1 1/4" MPT X 1" HOSE SHANK ELBOW	2	51	223-010	#10 NYLOCK NUT	6
24	H20-SS	#20 GEAR CLAMP	2	52	661-010-0100	10-24 X 1" S. S. SCREWS	6
25	MPS100	1" DROP HOSE	2	53	690-008-0075	8-32 X 3/4" S. S. SCREWS	4
26	SC-2000A	FOAM CHAMBER MOUNTING BRACKET	2	54	661-011-0050	10-32 X 1/2" S. S. SCREWS	4
27	H28-SS	#28 GEAR CLAMP	2	55	985GP03	TERMINAL STRIP	1
28	SC-2011	FOAM COLLECTOR BOOT	2	56	661-008-0125	8-32 X 1 1/4" S. S. SCREWS	2
29	HBI25-100	1 1/4" MPT X 1" HOSE SHANK	2	57	631-008	#8 NYLOCK NUT S. S.	2
30	SC-2021	FOAM COLLECTOR SOCK	2	58	EL1400	1/4" MPT X 1/4" HOSE SHANK ELBOW	2
31	8000-543-250	12 VOLT DC PUMP	1	59	EL1438	1/4" MPT X 3/8" HOSE SHANK ELBOW	1
32	NTL3800	11/16" MPT X 3/8" HOSE SHANK ELBOW	1				
33	234N	3/8" T X 3/8" P ELBOW	1				

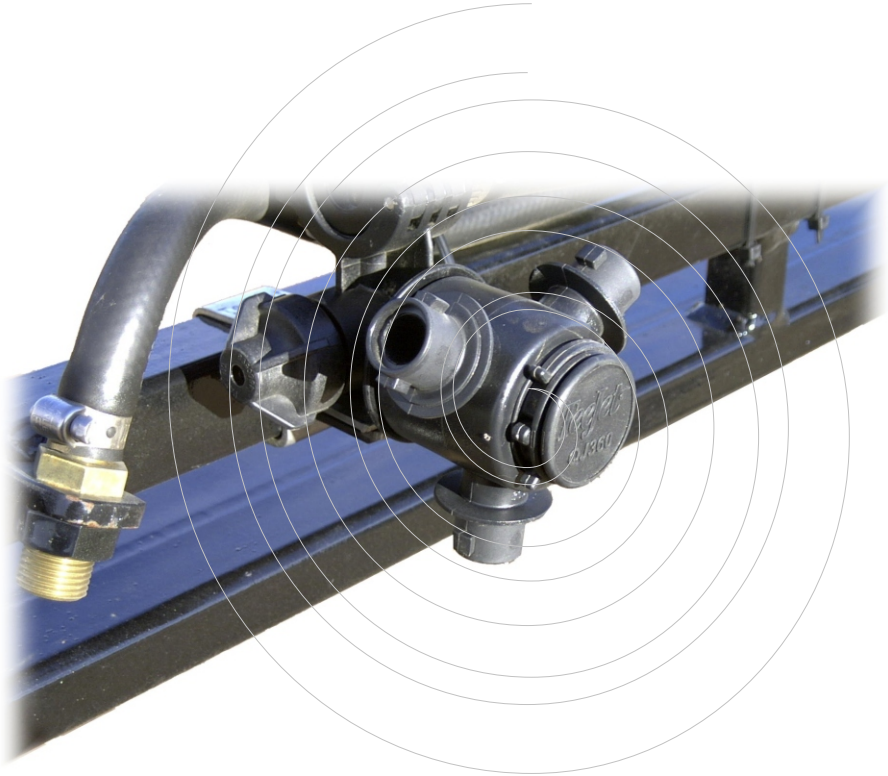
fast Foamer Mounting Brackets

Part # FA7276 Base Foamer MT 743P



fast Section 7 - Plumbing Diagrams

Common Breakaway Plumbing	94
Common Fence Line Plumbing	95
Common Boom Plumbing	96



fast Common Breakaway Plumbing



fast Common Fence Line Plumbing



fast Common Boom Plumbing



fast Section 8 - Miscellaneous

Thread Sealant	98
Decals	99
Decals	100
Decals	101
Trak - Tank	102
Trak - Tank	103



fast Thread Sealant



	Part #	Qty	Description
1	BJRS21	1	Plastic Thread Sealer
2	PRLT8	1	Hyd. Thread Sealer



831

830

66



800



WARNING

TOXIC CHEMICAL HAZARD
 Agricultural chemicals can be dangerous. Improper selection or use can seriously injure persons, animals, plants, soil, or other property. **BE SAFE:** Select the right chemical for the job. Handle it with care. Follow the instructions on the container label and instructions from the equipment manufacturer.

807

WARNING

The following instructions must be carefully followed to avoid damage to your tractor hydraulic system!

LOAD SENSING	PRESSURE COMPENSATING	OPEN
<small>(John Deere 6000, 7000, 8000 & 9000 Series, Case/IH Magnum & Maxum Series, Ford Genesis)</small> Purchase a Flow limiting Valve (Part No. LS206 or LS304) from your dealer and install it on the inlet port of the ACE Pump hydraulic motor. Follow the detailed instructions found at the beginning of the PUMP section of the Fast catalog.	<small>(John Deere, except 6000, 7000, 8000 & 9000 Series, AGCO White)</small> Use the Restrictor Orifice that is wire-tied to the ACE pump,. Install it in the inlet port of the ACE hydraulic motor. Follow the detailed instructions found at the beginning of the PUMP section of the Fast catalog.	<small>(Belgit, Colgate and Prother)</small> Do NOT use the Flow Limiting Valve or the Restrictor Orifice. Follow the detailed instructions found at the beginning of the PUMP section of the Fast catalog.

811

WARNING




HIGH PRESSURE FLUID HAZARD
To prevent serious injury or death from high pressure fluid:

- Relieve pressure on system before repairing, adjusting or disconnecting.
- Wear proper hand and eye protection when searching for leaks. Use wood or cardboard instead of hands.
- Keep all components in good repair.


802

WARNING

Install the safety pin and secure before transporting sprayer.

809

DANGER






ELECTROCUTION HAZARD
KEEP AWAY FROM POWER LINES
To prevent serious injury or death from electrocution:

1. Stay well away from power lines when folding or extending wings. Electrocution can occur without direct contact.
2. Lower wings completely before moving or transporting.

805

DANGER

CHEMICAL HAZARD
To prevent serious injury or death:

WEAR RUBBER GLOVES	DON'T BREATHE VAPOR	DON'T INGEST CHEMICAL
<ul style="list-style-type: none"> • Do not allow chemical or solution to touch skin. Some can be absorbed through the skin. • Wear rubber gloves and protective gear at all times. 	<ul style="list-style-type: none"> • Stay away from chemical splash and vapor. Keep others away. • Do not breathe vapor. • Wear proper respirator when working with chemicals. 	<ul style="list-style-type: none"> • Chemicals can be toxic. • If in eyes or mouth, read chemical manufacturers' instructions and follow them exactly. • Seek medical attention immediately. • A poison control number is normally inside the front cover of your telephone book.

806

WARNING

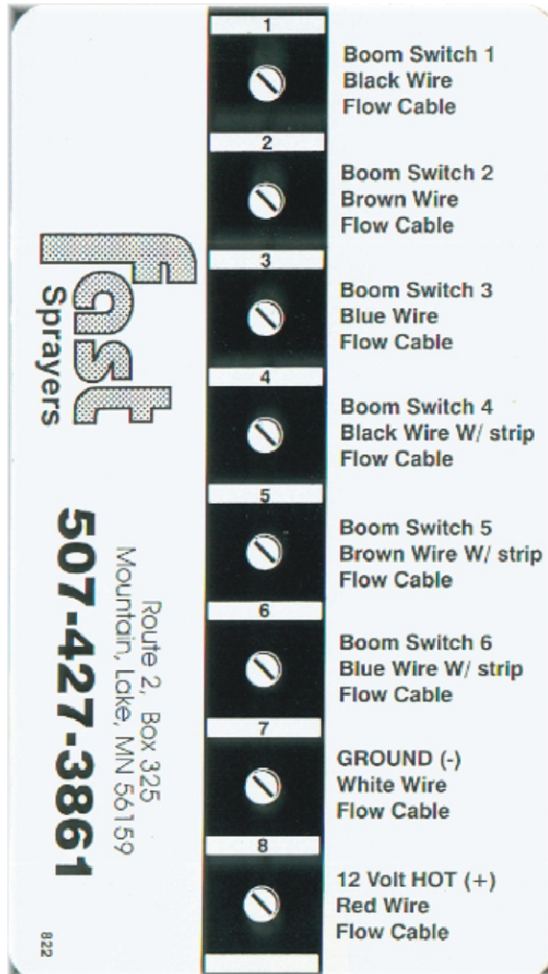


OVERHEAD HAZARD
KEEP AWAY
To prevent serious injury or death from overhead hazard:

1. Stay away from machine when extending or folding wings.
2. Keep others away.
3. Move wings only from tractor seat.

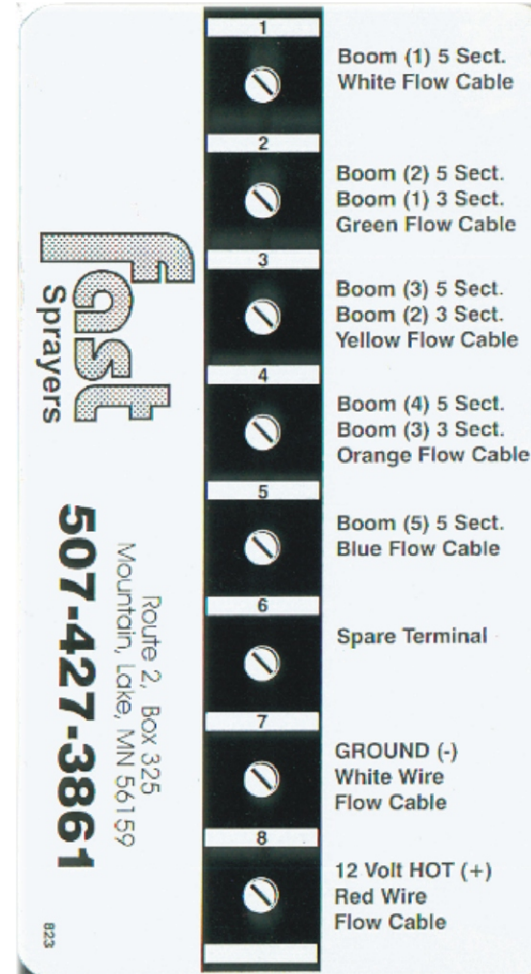
808

For Raven Controller



822

For Tee Jet Controller



823

fast Trak - Tank

Agitation - 1" full length sparge tube
Two - 2" openings
One - 1" opening

TRAK-TANK™ SPECIFICATIONS

MODEL NO.	CAPACITY
TRAK-TANK™ J.D. 16	525 gal.
TRAK-TANK™ J.D. 24	440 gal.
TRAK-TANK™ J.D. 30	400 gal.

• SIZES TO FIT ALL BELT WIDTHS •



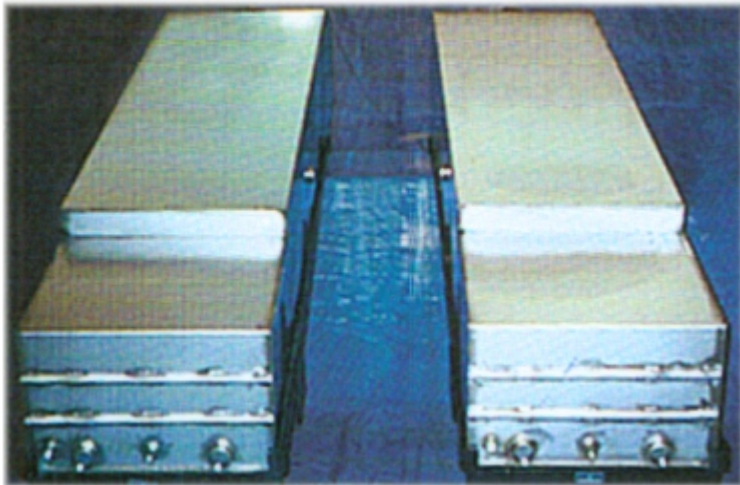
Stainless steel fittings and sparge tube
Mount between track frame and tractor body
Painted steel mounting frames
Two internal baffles



Agitation - 1" full length sparge tube
Two - 2" openings
One - 1" opening

TRAK-TANK™ SPECIFICATIONS

MODEL NO.	CAPACITY
TRAK-TANK™ MH-18	540 gal.
TRAK-TANK™ MH-25	470 gal.
TRAK-TANK™ MH-32	400 gal.



Stainless steel fittings and sparge tube
Mount between track frame and tractor body
Painted steel mounting frames
Two internal baffles



fast Distributing Inc.

