

genuine spare parts

X-CITY
4x160W LED

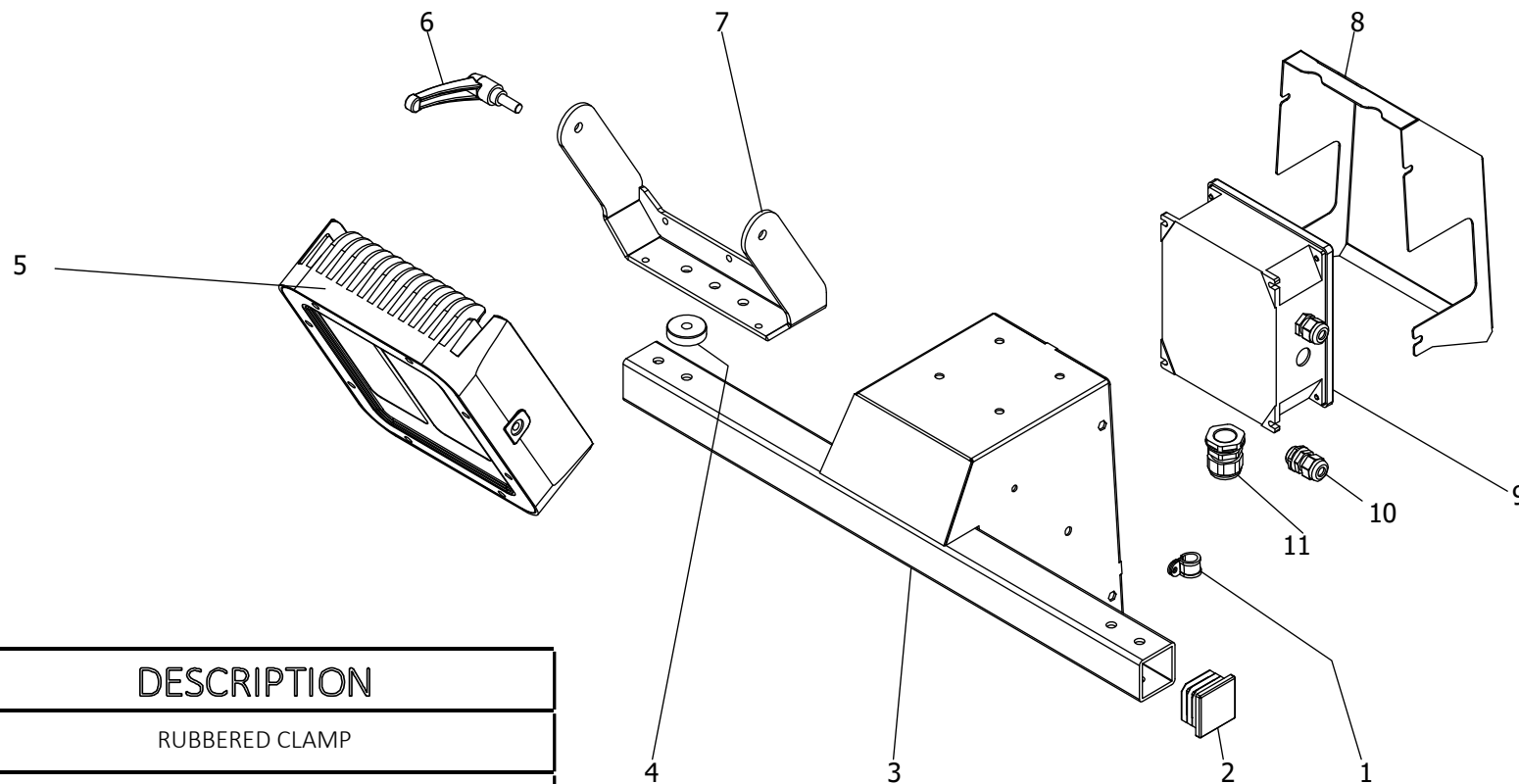


- PAGE 1: FLOODLIGHT ASSEMBLY
- PAGE 2: MAST
- PAGE 3: BASE STRUCTURE
- PAGE 4: CANOPY ASSEMBLY
- PAGE 5: ENGINE ASSEMBLY
- PAGE 6: CONTROL PANEL ASSEMBLY
- PAGE 7: EXTERNAL CONTROL PANEL
- PAGE 8: TRIME UK CONTACT PAGE



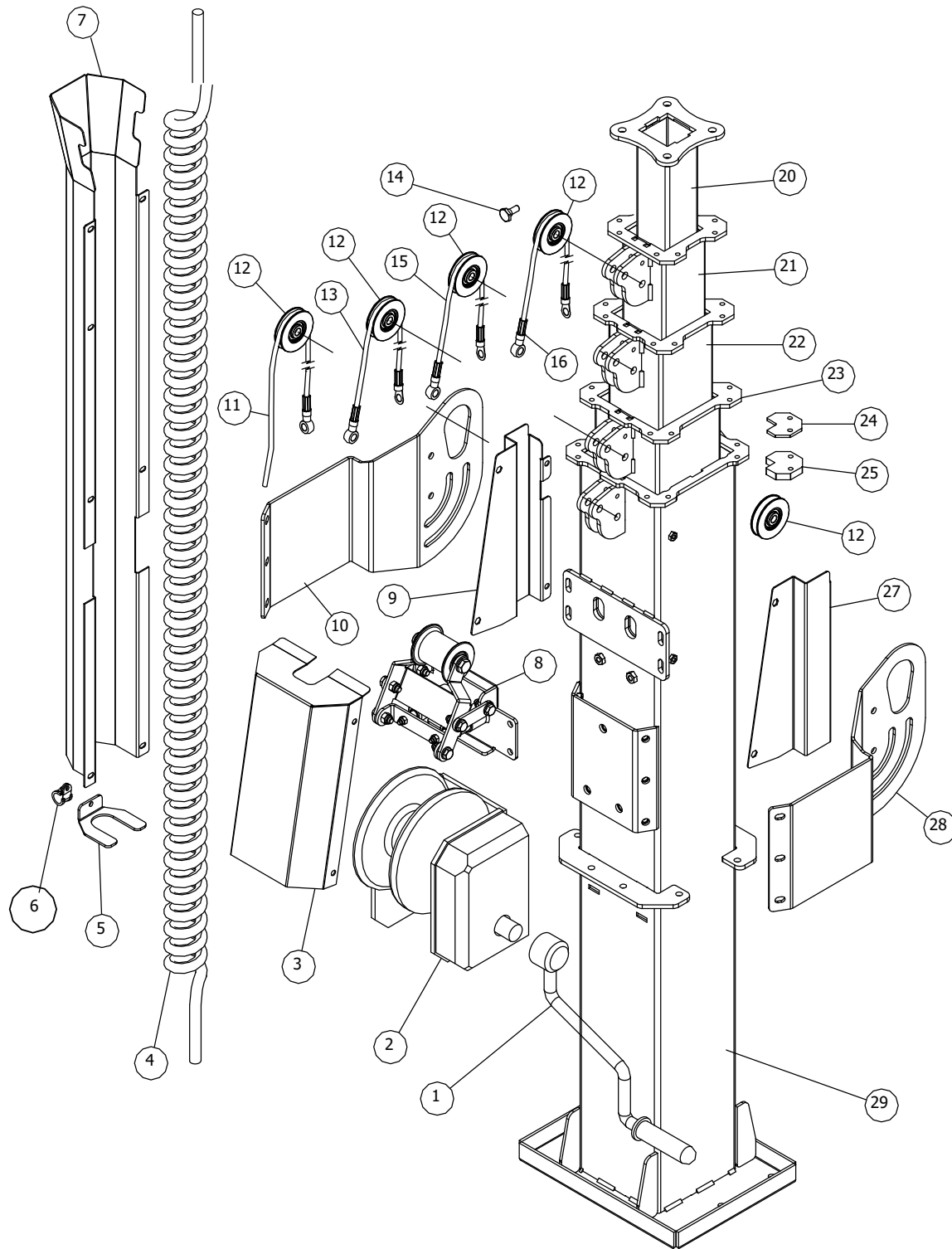
TRIME

Lighting Tower Specialist

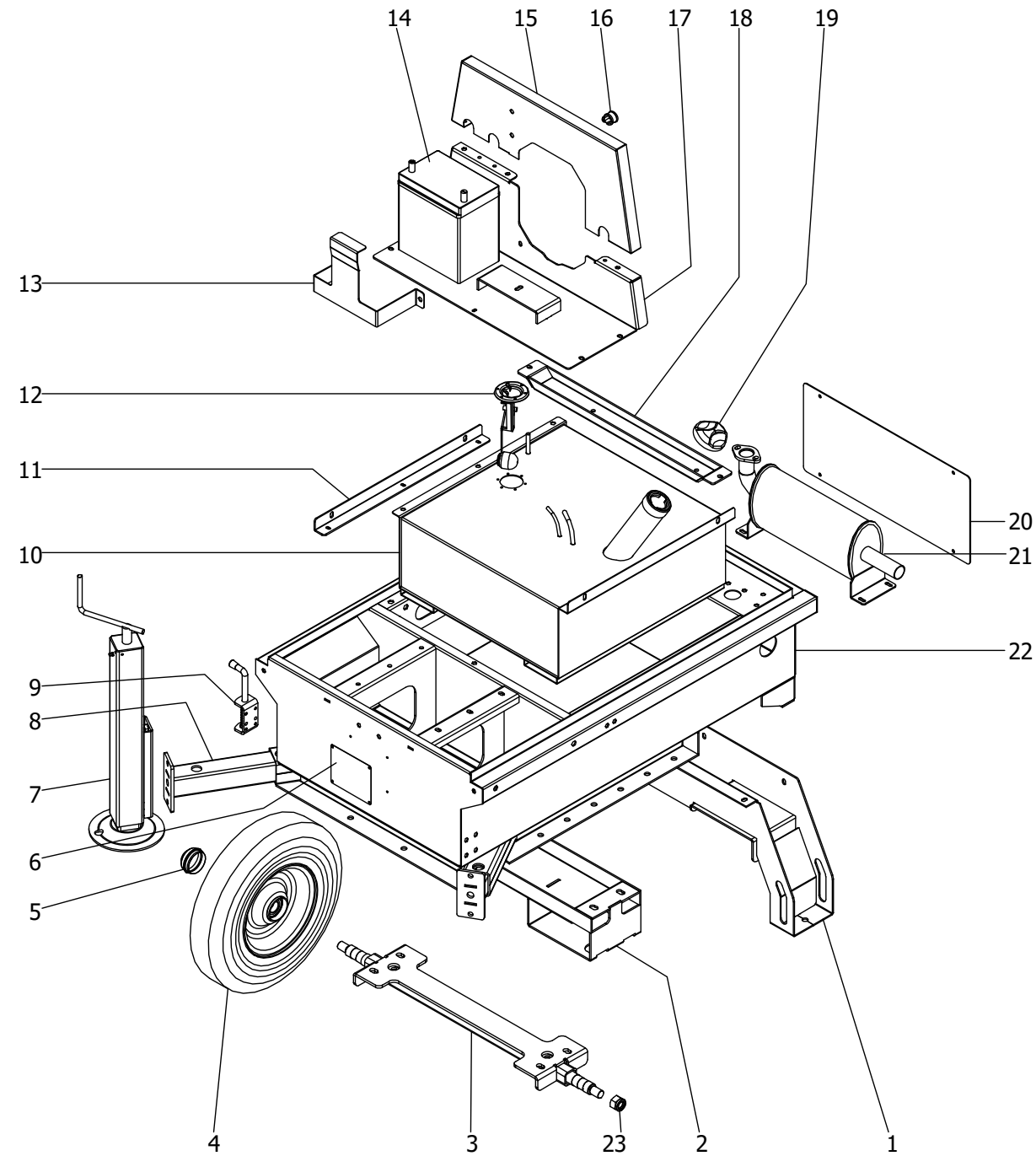


N.	CODE	DESCRIPTION
1	AC000_M038_007	RUBBERED CLAMP
2	AC000_P037_010	CAP
3	LED04_C000_080ZN	CENTRAL SUPPORT
4	AS000_M023_025	SPACER
5	AC000_E026_075	FLOODLIGHT
6	AC000_M000_076	HANDLE
7	LED04_C000_101ZN	FLOODLIGHT SUPPORT
8	LED04_C000_041ZN	REAR COVER
9	AS000_E006_052	JUNCTION BOX
10	AC000_E018_008	PG11 WIRE HOLDER
11	AC000_E018_002	PG21 WIRE HOLDER

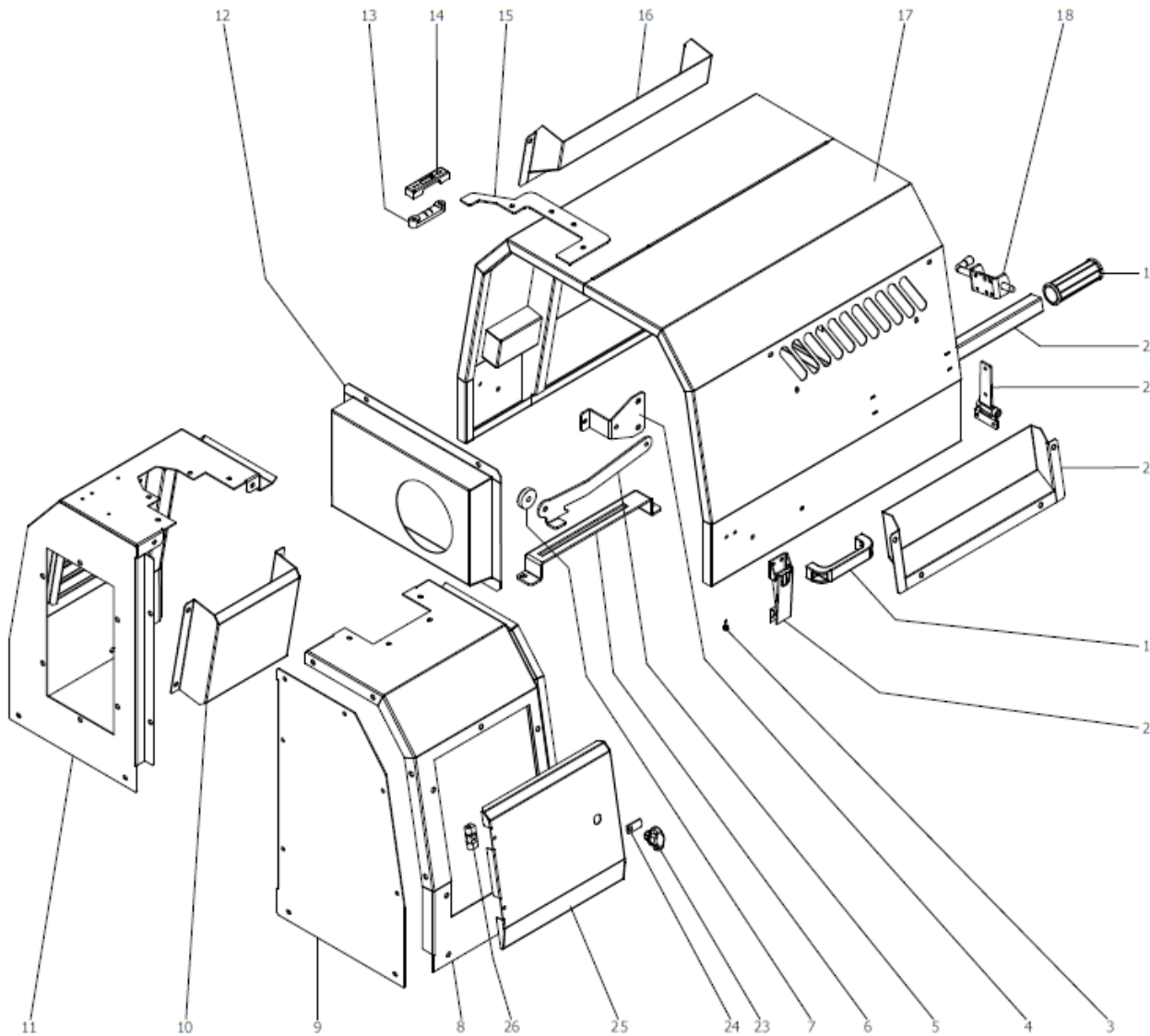




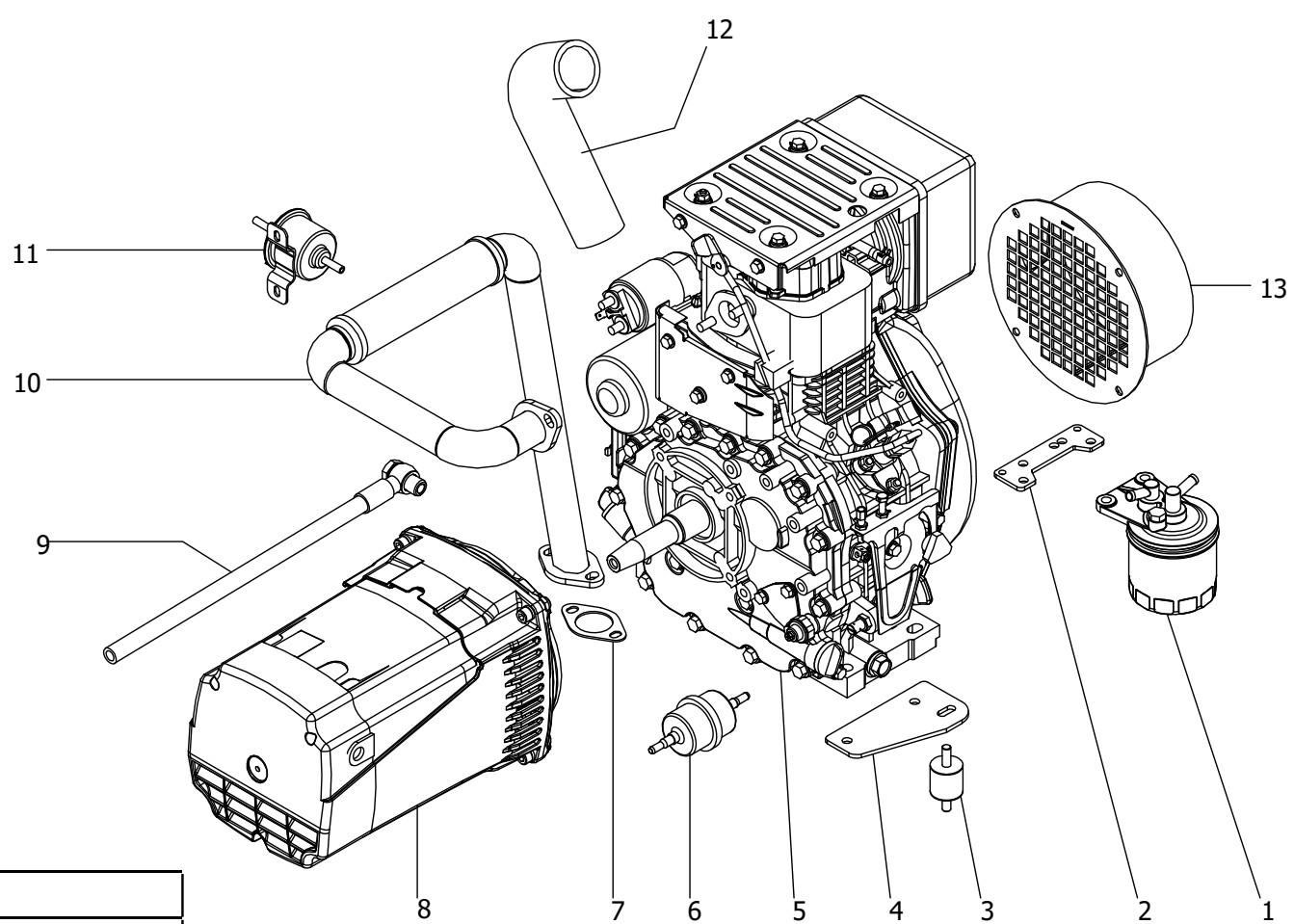
N.	CODE	DESCRIPTION
1	AC000_M000_084_01	WINCH HANDLE
2	AC000_M000_084	WINCH BODY
3	PFM08_C000_018	SAFETY STOP SYSTEM COVER
4	AC000_E006_016	COILED CABLE
5	PFM08_C000_047	COILED CABLE BOTTOM PLATE
6	AC000_M038_007	RUBBERED CLAMP
7	PFM07_C000_037	COILED CABLE PROTECTION
8	SI000_G000_005	SAFETY STOP SYSTEM
9	PFM08_C000_020	LEFT COVER PLATE
10	PFM07_C031_049ZN	LIFTING EYE, LEFT PART
11	AC000_M021_009	STEEL ROPE – L 4300 mm
12	AC000_M021_002	PULLEY D. 60
(*)	AC000_M021_003	PULLEY D. 62
13	AC000_M021_015	STEEL ROPE – L 1170 mm
14	AS000_M000_029	SCREW
15	AC000_M021_019	STEEL ROPE – L 1200 mm
16	AC000_M021_018	STEEL ROPE – L 1210 mm
20	PFM05_C031_013ZN	5° SECTION MAST
21	PFM07_C000_034ZN	4° SECTION MAST
22	PFM07_C000_033ZN	3° SECTION MAST
23	PFM07_C000_032ZN	2° SECTION MAST
24	PF08_C031_012ZN	RUNNER REINFORCEMENT
25	AS000_M000_005	ANGULAR RUNNER
27	PFM08_C000_019	RIGHT COVER PLATE
28	PFM07_C031_048Z	LIFTING EYE, RIGHT PART
29	NPFM05_C031_012ZN	1° SECTION MAST



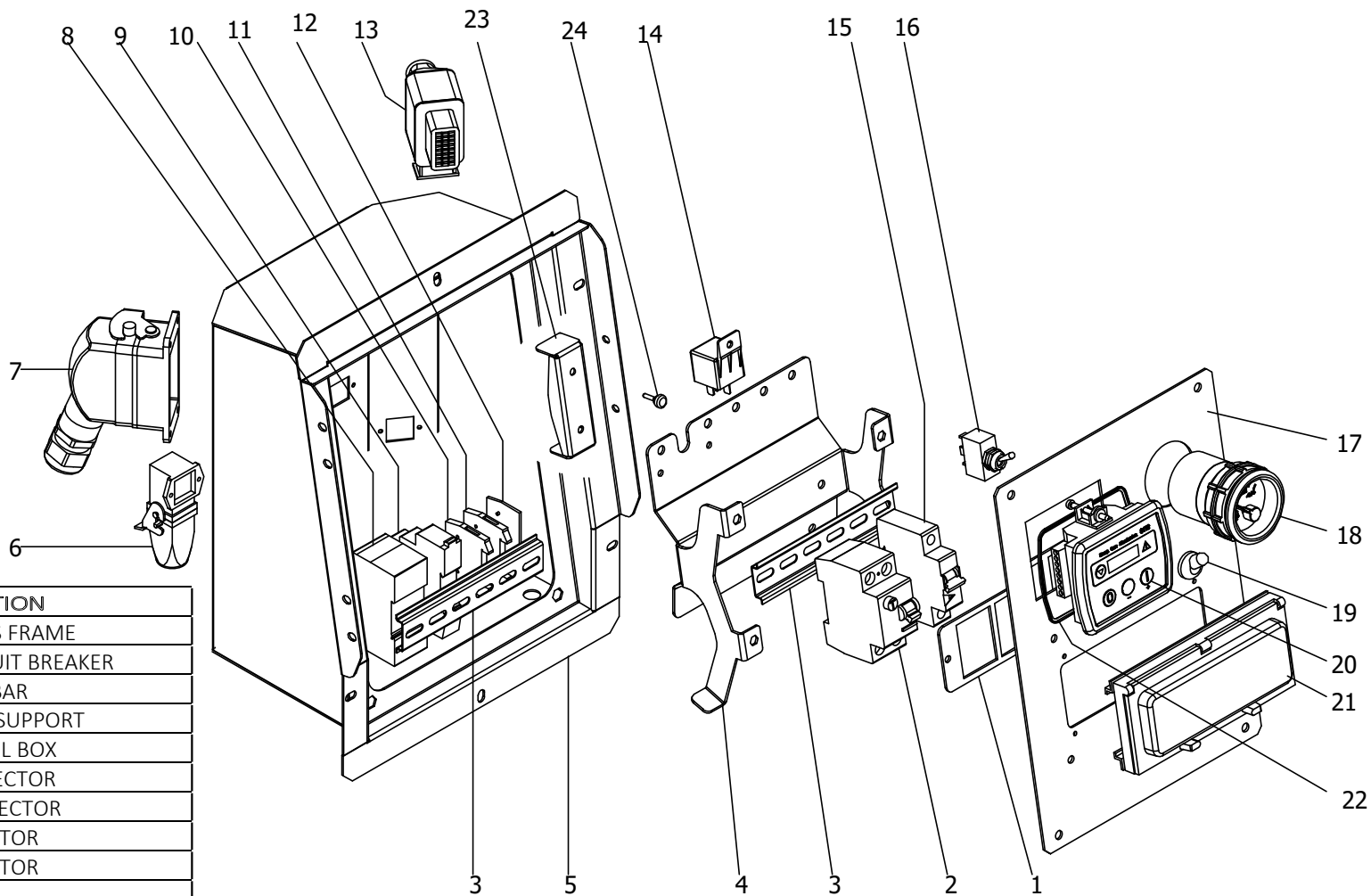
N.	CODE	DESCRIPTION
1	XMI2_C000_005	SUPPORTING STRUCTURE
2	XMI2_C003_037	FORK LIFT
3	XMI2_C003_020	WHEELS AXLE
4	AC000_M000_182	WHEEL
5	AC000_M000_039	WHEEL CAP
6	XMI2_S010_043B	DATA PLATE
7	AS000_M000_048ZN	STABILIZER
8	XMI2_C000_004ZN	STABILIZER BEAM
9	AC000_M000_086	STABILIZER LOCK
10	XMI2_C005_009	FUEL TANK
11	XMI2_C005_010	FUEL TANK FIXING BAR
12	XCY_E006_021	FUEL LEVEL TRANSMITTER
13	XMI2_C000_014	BATTERY FIXING BAR
14	AC000_E000_108	BATTERY
15	XMI2_C004_015	UPPER SEPARATOR
16	AC000_M038_052	RUBBERED CLAMP
17	XMI2_C004_013	INFERIOR SEPARATOR
18	XMI2_C004_012	ENGINE SUPPORT
19	AC000_M000_014	FUEL TANK CAP
20	XMI2_C004_031	REAR COVER
21	XMI2_C035_022	MUFFLER
22	XMI2_C004_003	BASE
23	AC000_M038_044	WHEEL NUT



N.	CODE	DESCRIPTION
1	AC000_M000_005	PLASTIC HANDLE
2	AC000_M000_048	CANOPY LOCK
3	AC000_M024_085	BUMPER
4	XMI2_C000_040	CANOPY FIXING BAR BRACKET
5	XMI2_C000_039ZN	CANOPY FIXING BAR HOOK
6	XMI2_C000_038ZN	CANOPY FIXING BAR GUIDE
7	AS000_M023_025	SPACER
8	XMI2_C007_029	RIGHT FRONT CANOPY
9	XMI2_C007_030	RIGHT FRONT CANOPY COVER
10	XMI2_C007_032	AIR DEFLECTOR
11	XMI2_C007_006	LEFT FRONT CANOPY
12	XMI2_C007_018	AIR CONVEYOR
13	AC000_M016_002	BUBBLE LEVEL
14	PFI08_C031_029	BUBBLE LEVEL PROTECTION
15	XMI2_C007_047ZN	MAST PLATE
16	XMI2_C007_019	AIR OUTLET DEFLECTOR
17	XMI2_C007_016	REAR CANOPY
18	AC000_M000_086	HANDLE LOCK
19	AC000_P037_003	KNOB
20	XMI2_C000_017ZN	HANDLE BEAM
21	AC000_M000_008	HINGE
22	XMI2_C007_044	AIR OUTLET DEFLECTOR
23	AC000_M000_067	DOOR LOCK
24	AC000_M000_054	LOCK LEVER
25	XMI2_C008_055	CONTROL PANEL DOOR
26	AC000_M000_053	HINGE

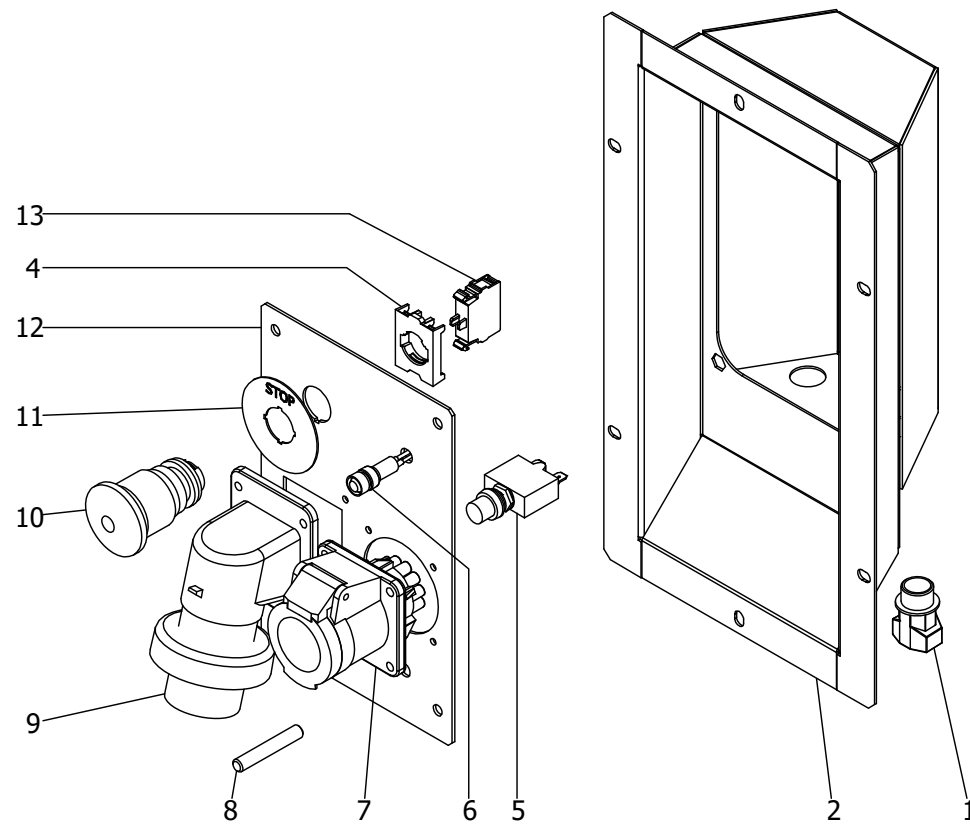


N.	CODE	DESCRIPTION
1	15221-43170	FUEL FILTER CARTRIDGE
2	XMI2_C000_046	SUPPORT
3	AC000_M024_090	SCHOCK ABSORBER
4	XMI2_C001_011	ENGINE SUPPORT
5	AC000_M033_021	ENGINE
6	3730119	FUEL PRE FILTER
7	AC000_M001_077	MUFFLER EXTENSION GASKET
8	AC000_E034_019	ALTERNATOR
9	AC000_G001_002	OIL DRAIN PIPE
10	XMI2_C035_008	MUFFLER EXTENSION
11	R140151352	PUMP
12	AC000_M001_076	RUBBER SLEEVE
13	XMI2_C001_007	AIR CONVEYOR



N.	CODE	DESCRIPTION
1	XCHAIN_C006_055	CIRCUIT BREAKERS FRAME
2	AC000_E012_042	16A EARTH LEAKAGE CIRCUIT BREAKER
3	AC000_M038_057	L.150 DIN BAR
4	XMI2_C006_033	CIRCUIT BREAKERS SUPPORT
5	XMI2_C019_023	CONTROL PANEL BOX
6	AC000_E000_071	5 POLES CONNECTOR
7	AC000_G006_004	10 POLES CONNECTOR
8	AC000_E006_049	25A CONTACTOR
9	AC000_E006_047	20A CONTACTOR
10	AC000_E006_021	CLAMP
11	AC000_E006_022	CLAMP STOP
12	AC000_E006_024	CLAMP COVER
13	AC000_G006_003	24 POLES CONNECTOR
14	AC000_E000_040	12V 40A RELAY
15	AC00_E012_004	LAMP SWITCH
16	AC000_E000_009	SWITCH
17	XMI2_S010_024B	INSTRUMENTS PLATE
18	AC000_E015_005	FUEL LEVEL GAUGE
19	AC000_E000_019	SWITCH COVER
20	AC000_E014_001	DSE 3110 MODULE
21	AC000_E000_008	CIRCUIT BREAKERS COVER
22	AC000_E006_001	DSE 3110 MODULE GASKET
23	XMI2_C008_052	DOOR FIXING PLATE
24	AC000_M024_085	BUMPER





N.	CODE	DESCRIPTION
1	AC000_E018_019	PG11 CONNECTOR
2	XMI2_C006_035	BOX
5	AC000_E012_013	CIRCUIT BREAKER
6	AC000_E015_026	GREEN LAMP
7	AC000_E011_007	230V 16A OUTLET
8	AC000_M038_035	EARTHING TERMINAL
9	AC000_E011_010	230V 16A INLET
10	AC000_E006_051	STOP BUTTON
11	AC000_E006_053	STOP BUTTON RATING PLATE
12	XMI2_S010_036B	INSTRUMENTS PLATE
13	AC000_E006_052	CONTACT



TRIME

www.trimeuk.com

SPARE PARTS TEAM



Norman Pipe
Operations/Spares Manager
tel. 01480 220 500
mob. 07495 670269
normanpipe@trimeuk.com



Marcus Wilson
Spares Part Sales
tel. 01480 220 500
marcuswilson@trimeuk.com



Wayne Brennan
Technical Support Manager
tel. 01480 220 500
mob. 07494 654373
waynebrennan@trimeuk.com



Sally Gunn
Accounts Administrator
tel. 01480 220 500
mob. 07494 654373
admin@trimeuk.com

SALES TEAM



Emma Cohen
Sales Assistant
tel. 01480 220 500
marketing@trimeuk.com



Mark Taylor
Sales Manger
tel. 01480 220 500
mob. 07539528017
marktaylor@trimeuk.com



Andrew Owen
Sales Manger
tel. 01480 220 500
mob. 07983871870
andrewowen@trimeuk.com



Paul Hay
Managing Director
tel. 01480 220 500
mob. 07836 522223
paulhay@trimeuk.com



Ray Caulfield
CEO
tel. 01480 220 500
mob. 07970140680
raycaulfield@trimeuk.com

