

Commercial Sump, Sewage & Effluent Pumps

GRUNDFOS **PIP**

The Grundfos PIP series vortex pumps are designed for pumping water or sewage in non-hazardous applications where explosion-proof motors are not required. The all cast iron construction of the pump makes it extremely durable against corrosion. The pumps vortex impeller allows it to pass up to 2 inch solids and can handle stringy trash without clogging the impeller.

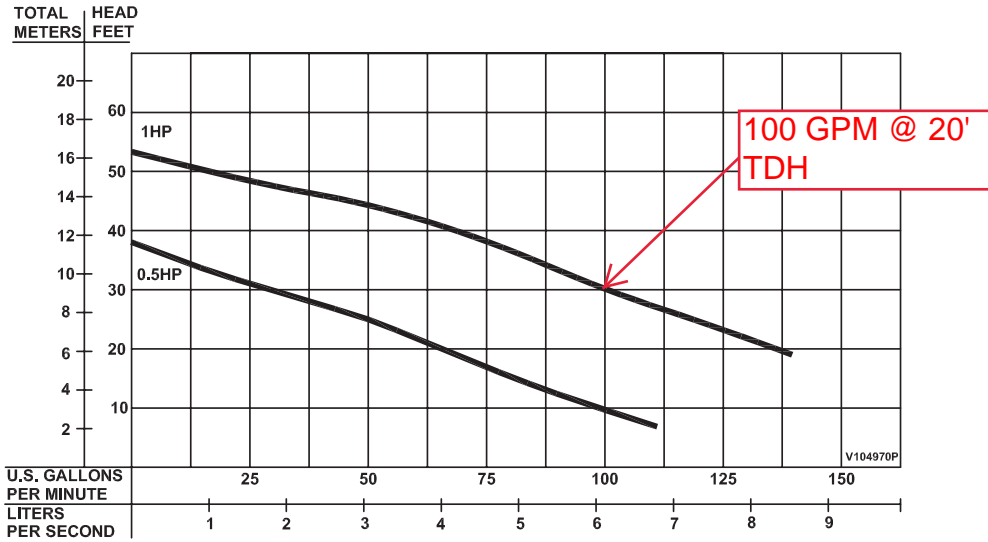


GRUNDFOS **PIP 1/2 HP to 1 HP**

PUMP SPECIFICATIONS

Discharge	2" NPT, Vertical, Bolt-on Flange	Cord Entry	2" NPT - 20 FT. (6.1m) Custom Molded for Sealing and Strain Relief						
Liquid Temperature	104°F (40° C) Intermittent		Speed	3450 RPM, 60Hz (Nominal)					
Motor Housing	Cast Iron ASTM A-48, Class 30			Upper Bearing Design	Single Row, Ball, Oil Lubricated				
Volute	Cast Iron ASTM A-48, Class 30				Upper Bearing Load	Radial			
Seal Plate	Cast Iron ASTM A-48, Class 30					Lower Bearing Design	Single Row, Ball, Oil Lubricated		
Impeller Design	Vortex, Open with Pump Out Vaness on Back Side. Dynamically Balanced, ISO G6.3						Lower Bearing Load	Radial & Thrust	
Impeller Material	85-5-5-5 Cast Iron							Motor Design	NEMA L, Single Phase, NEMA B, Three Phase Torque Curve, Oil Filled Squirrel Cage Induction
Shaft	416 Stainless Steel								Motor Insulation
Square Rings	Buna-N							Single Phase	
Hardware	300 Series Stainless Steel								Three Phase
Paint	Air Dry Enamel, Top Coat							600V Requires Overload Protection to be Included in Control Panel	
Seal Design	Single Mechanical, or Tandem Mechanical with Oil Filled Reservoir								
Seal Material	Rotating Faces - Carbon								
	Stationary Faces - Ceramic								
	Elastomer - Buna-N								
	Hardware - 300 Series Stainless Steel								

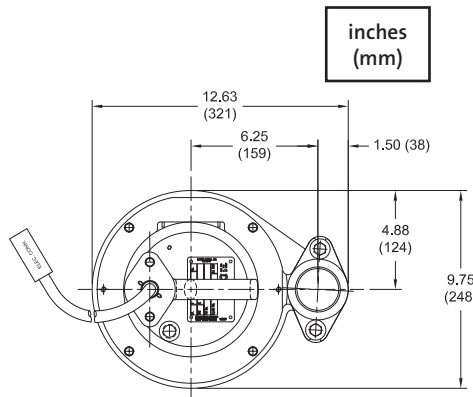
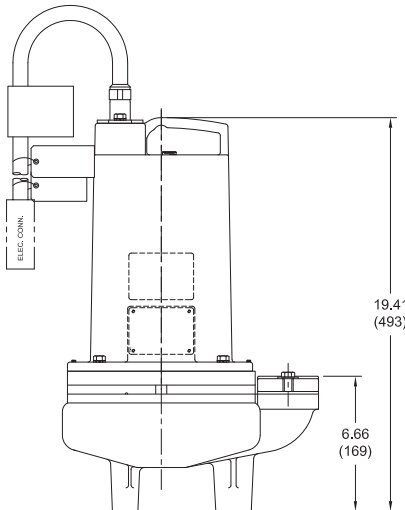
GRUNDFOS PIP Technical Data – 1/2 HP to 1 HP



MODEL NO.	HP	VOLT/PH	HZ	RPM (Nom)	NEMA START CODE	INSUL. CLASS	FULL LOAD AMPS	LOCKED ROTOR AMPS	CORD SIZE	CODE TYPE	CORD O.D. inch (mm)	WINDING RESISTANCE		
												"Emerson Main-Start"	"Franklin Main-Start"	"G.E. Main-Start"
PIP512L*	0.5	120/1	60	3450	G	B	12.6	24.6	14/3	SJTOW	0.375 (9.5)	1.04-7.20	1.47-9.59	—
PIP522L	0.5	240/1	60	3450	E	B	6	10.2	14/3	SOW	0.530 (13.5)	—	5.08-9.00	10.10-10.16
PIP592L	0.5	200-240/3	60	3450	P/R	B	5.8/5.3	19.9/18.4	14/4	SOW	0.570 (14.5)	—	5.5	6.3
PIP542L	0.5	480/3	60	3450	R	B	2.6	9.1	14/4	SOW	0.570 (14.5)	—	22	25.18
PIP552L	0.5	600/3	60	3450	T	B	2.1	8.7	14/4	SOW	0.570 (14.5)	21.20	—	34.57
PIP1022L	1	240/1	60	3450	F	B	10.7	21.8	14/3	SOW	0.530 (13.5)	—	2.37-6.44	3.04-15.49
PIP1092L	1	200-240/3	60	3450	H/J	B	7.9/7.5	19.9/18.4	14/3	SOW	0.570 (14.5)	—	5.5	6.3
PIP1042L	1	480/3	60	3450	J	B	3.7	9.1	14/4	SOW	0.570 (14.5)	—	22	25.18
PIP1052L	1	600/3	60	3450	L	B	2.9	8.7	14/4	SOW	0.570 (14.5)	21.20	—	34.57

OPTIONAL - Temperature sensor cord for 3 phase models is 14/3 SOW, 0.530 (13.5mm) O.D.
OPTIONAL - Moisture sensor cord is 18/5 SOW, 0.470 (11.9mm) O.D.

OPTIONAL - Moisture & Temperature sensor cord for 3 phase models is 18/5 SOW, 0.470 (11.9mm) O.D. (*) Pump is CSA listed ONLY.



Plugs for 120 Volt and .5Hp, 240 Volt Single Phase Models.

PIPXXX-L SERIES

PUMP MODEL NO. _____

PUMP SERIAL NO. _____

IMPORTANT !

- 1.) Pump may be operated "dry" for extended periods without damage to motor and/or seals.
- 2.) This pump is appropriate for those applications specified as class I division II hazardous locations.
- 3.) This pump is not appropriate for those applications specified as class I division I hazardous locations.
- 4.) Installations such as decorative fountains or water features provided for visual enjoyment must be installed in accordance with the national electric code ANSI/NFPA 70 and/or the authority having jurisdiction. This pump is not intended for use in swimming pools, recreational water parks, or installations in which human contact with pumped media is a common occurrence.