

# 782 Electric Latch Retraction Controller Installation Instructions

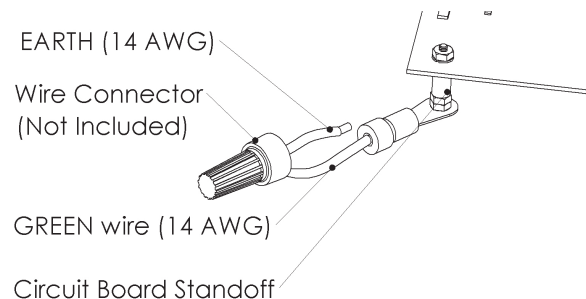
The 782 is designed to be used with UL Listed Yale® 7000P series (electric latch retraction) or Corbin Russwin ED4000/ED5000 x M94 series (latch pullback) exit devices. Yale® and Corbin Russwin are ASSA ABLOY Group brands.

## INSTALLATION

The 782 Electric Latch Retraction Controller shall be installed in accordance with the National Electrical Code (ANSI/NFPA70), local codes and the Authorities Having Jurisdiction (AHJ's).

The 782 enclosure should be securely fastened to the wall using the four 1/4" diameter mounting holes located in the back of the box. Position the enclosure so that the transformer is located on the left-hand side. The 782 is intended to be installed indoors within the protected area only and wired to a 15 Ampere branch circuit. Install the enclosure to the mounting surface using suitable hardware for the application. Anchors should be capable of holding a 20 lb static load.

For the 120VAC power input, terminal block TB1 will accommodate up to 14 AWG wire. In order to provide an adequate earth ground to the enclosure, the green grounding wire must be connected to earth ground with a wire connector as shown.



**Figure 1**

Note: The maximum input current is 750mA (10A inrush) @ 120VAC.

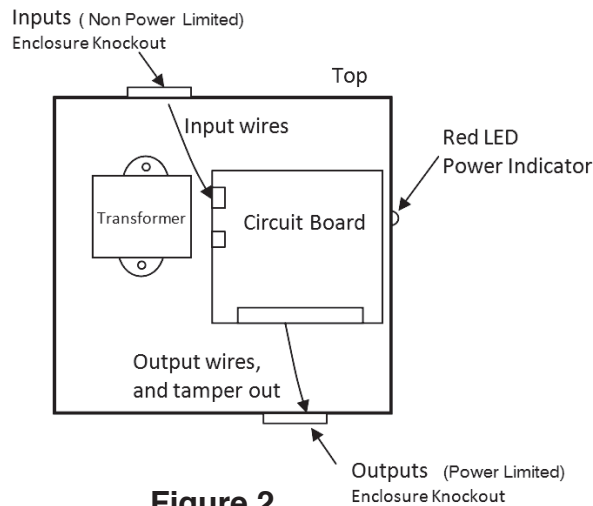
Use the chart below to determine the correct wire gauge per given length of two- conductor cable that will run from the 782 to each exit device. Do not exceed the maximum length listed with each wire gauge.

WIRE GAUGE	MAXIMUM LENGTH OF TWO-CONDUCTOR CABLE
16 AWG	40 FEET
14 AWG	60 FEET
12 AWG	100 FEET

**Table 1**

## SEPARATION OF CIRCUITRY

Non power limited inputs and Class 2 outputs need to maintain a minimum 1/4" to comply with NEC power separation requirements. See Figure 2 below for UL approved wire routing strategy.



**Figure 2**

Up to two latch retraction devices can be used with the 782. If only one device is to be used, the device must be wired to the "DEVICE ONE" location at TB3, terminals 7 and 8.

Note: When using Yale® 7000P or Corbin Russwin ED4000/ED5000 x M94 series exit devices with red and black leads, be sure to observe polarity when connecting "DEVICE ONE" and "DEVICE TWO" to TB3. (Refer to the wiring diagram located on the lid of the controller.)

## THEORY OF OPERATION

Yale® 7000P Series Exit Device (Electric Latch Retraction) or Corbin Russwin ED4000/ED5000 Series Exit Device x M94 (Latch Pullback)

The 782 operates at two states. The first, initial, state delivers a high energy retraction force to the solenoid. This initial retraction force requires a high inrush current of several amps. Once the solenoid is fully retracted, the device switches to a low power holding state requiring less than an amp. The device stays in this holding state until power is removed and the device disengages.

## **STANDARD OPERATION**

The 782 provides a choice of two methods of electric latch retraction: Paired or Independent System.

### **PAIRED SYSTEM LATCH RETRACTION**

This method allows one input to control two devices sequentially for use on double door applications. A momentary switch closure across terminals 15 and 16 of TB3 will pull back DEVICE ONE first, followed by DEVICE TWO. Use this method for a pair of doors using devices on both leaves. The 782 comes from the factory already set up for this method. Jumper PJ1 should be set to "PAIRED" for this mode of operation.

### **INDEPENDENT SYSTEM LATCH RETRACTION**

When configured for Independent Door Operation, DEVICE ONE and DEVICE TWO outputs are controlled independently by their own separate input. A momentary switch closure across terminals 15 and 16 of TB3 will pull back DEVICE ONE only. A momentary switch closure across terminals 13 and 14 of TB3 will pull back DEVICE TWO. No more than one device can be used per output. Use this option for applications requiring two single door systems or two pair door systems using one device on each pair of doors. To change to the independent system latch retraction, move the program jumper PJ1 from between the middle post and the end post, marked "SINGLE".

**NOTE:** When using the Independent system, DEVICE ONE and DEVICE TWO can never be activated at the same time. In the event that both input switches are actuated simultaneously, DEVICE ONE will always activate first, followed by DEVICE TWO.

When using a momentary, normally open switch for activating latch retraction, adjust potentiometer DEV 1 (R36) or DEV 2 (R28) on the p.c. board to the desired latch retraction hold time from approximately 10 to 30 seconds. Turn the potentiometer clockwise to increase the hold time.

When using normally open contacts from a keypad, card reader or a maintain switch, turn potentiometer DEV 1 (R36) or DEV 2 (R28) fully counterclockwise to the minimum hold time. A contact closure will activate latch retraction. Upon re-opening the contacts, the device will latch within 10 seconds.

### **OPERATION WITH AUTOMATIC DOOR OPERATION**

The 782 is provided with two outputs (one output associated with DEVICE ONE and the other output associated with DEVICE TWO) for controlling separate automatic door operators. Each output consists of normally open relay contacts that are field wired directly to the "DOOR ACTIVATION" input of the automatic door operator. These outputs are activated within a moment after activation of their corresponding devices to allow time for the doors to be fully unlatched before automatic opening begins.

Hold time potentiometers DEV 1 (R36) and DEV 2 (R28) are factory set to 10 seconds, which is appropriate for using this controller with automatic door operators. When the hold time expires, power is removed from the exit device and the signal to the auto door operator input is terminated, thus allowing the operator's "DOOR HOLD OPEN" delay to time out and close the door.

NOTE: When using the paired system latch retraction method with an automatic door operator interface and both devices are being used, the automatic door operator control input must be wired to the 782 automatic door operator output for DEVICE TWO (TB3, terminals 5 and 6).

## **OPERATION WITH FIRE ALARM**

The 782 can be wired to the fire alarm relay normally closed contacts. When a fire alarm occurs, any door that is currently unlatched, whether by momentary time delay or by maintained switch, will immediately latch secure. During the time that the fire alarm is active, electronic control of the automatic door opening system by wall switch, card reader, keypad, etc., is disabled. The door then can only be opened manually.

The 782 comes from the factory set up for use without a fire alarm interface. If a fire alarm interface is to be used with the controller, move the program jumper PJ2 from between the middle post and the end post, marked "DISABLE" (Fire Alarm Disabled), to the middle post and the end post, marked "ENABLE" (Fire Alarm Enabled).

NOTE: Maximum current through fire alarm relay contacts is 120mA @ 25-38VDC

UL Note: The 782's Operation with Fire Alarm feature has not been evaluated by UL.

## AUXILIARY POWER SOURCE OUTPUT

A single unregulated/unfiltered constant DC power source is provided for powering keypads, motion sensors, annunciator panels, electromagnetic door holders, relays, LEDs, etc. All interconnecting devices must be UL294 Listed.

Auxiliary Output: 24 VDC - 28 VDC Nominal, 250mA (Max.)

**WARNING: THIS AUXILIARY POWER SOURCE CANNOT BE USED WITH EQUIPMENT REQUIRING A REGULATED OR FILTERED POWER SOURCE. TO DO SO MAY CAUSE INADEQUATE OPERATION OF OR POSSIBLE DAMAGE TO THE EQUIPMENT. ALWAYS CHECK THE MANUFACTURER'S SPECIFICATION FOR THE TYPE OF POWER SOURCE REQUIRED FOR THE EQUIPMENT TO BE USED WITH THE 782.**

## NORMALLY OPEN RELAY CONTACTS

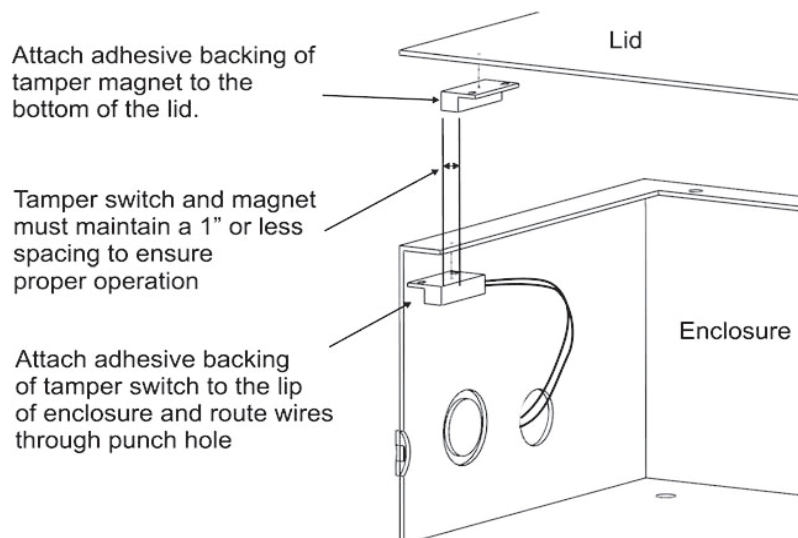
Normally open relay contacts (OPER 1 and OPER 2) are to be used as dry contact switch feedback to the host controller.

If PJ1 is set to PAIRED use OPER 2 for feedback.

If PJ1 is set to SINGLE, use OPER 1 and OPER 2 for feedback of Dev 1 and Dev 2, respectively.

## TAMPER SWITCH

Mount U.L. 634 Listed tamper switch (Honeywell, model 943WG or equivalent) at the lid of the enclosure. See Figure 1 for wiring diagram. Connect tamper switch wiring to the Access Control Panel input or the appropriate U.L. Listed reporting device. To activate alarm signal open the door of the enclosure.



**Figure 3**

## CLASS 2 OUTPUTS

All outputs of the 782 meet Class 2 outputs requirements. Depending on the output, if a short circuit or an overload condition should occur, the output will either shut off entirely or go into a safe current limiting state until the short or overload condition is removed.

### **IMPORTANT! THE MAXIMUM RATED LOAD FOR ALL OUTPUTS COMBINED IS 2.0AMPS, INCLUDING THE AUX. OUTPUT (250mA max).**

The outputs to ELR Device One (TB3, terminals 7 & 8) and ELR Device Two (TB3, terminals 6 & 5) will completely shut down to 0 volts when a short circuit across the output occurs or when the load exceeds 5A. To reset the output, the short circuit or overload must first be located and removed. Next, momentarily switch off the outputs by opening the contacts across input terminals 16 & 15 or 14 & 13. Before switching outputs back on, ensure the load does not exceed the maximum current ratings.

If the auxiliary output load exceeds approximately 0.3A, or in the event of a short circuit, a thermal fuse will open. This fuse will automatically reset once the fault has been removed.

NOTE: Increased ambient temperature reduces the trip point of the thermal fuse.

## MANUAL TEST METHOD

Set all device jumpers and timer potentiometers to the desired position. Next fully connect the 782 UL Listed Yale 7000P Series or Corbin Russwin ED4000/ED5000 x M94 Series ELR and a dry contact switch. Finally, connect the 782 to 120VAC power. After power is applied, the red power LED will turn on. Switch the desired dry contact switch and the device should function as described in the Standard Operation section of the Installation Instructions. If this does not happen consult the Troubleshooting section at the end of the Installation Instructions.

## Electrical ratings:

### Input:

120VAC, 750mA (10A inrush), 60Hz

### Outputs:

Aux Unregulated Output (TB3: 4/3): 24VDC - 28VDC, 250mA

DEV 1 Output (TB3: 7/8): connects to UL Listed Yale 7000P or

Corbin\Russwin ED4000/ED5000 x M94 series ELR

DEV 2 Output (TB3: 6/5): connects to UL Listed Yale 7000P or

Corbin\Russwin ED4000/ED5000 x M94 series ELR

OPER 1 Output (TB3:12/11): Dry contact, normal open \*

OPER 2 Output (TB3:10/9): Dry contact, normal open \*

Fire Alarm input (TB3:1/2): 25 VDC - 38VDC, 120mA (Not evaluated by UL)

\* max contact rating 24VDC @ 250mA

## PERFORMANCE EVALUATION

The 782 Power Supply has been evaluated to the following performance levels of UL 294 Sixth Edition:

Destructive Attack - Level I

Line Security - Level I

Endurance - Level IV

Standby Power - Level I

## ENVIRONMENTAL/OPERATING CONDITIONS

Operating Temperature Range: 0° - 49°C (32° - 120°F)

Humidity Range: up to 85% RH

## TROUBLESHOOTING

Before proceeding through the troubleshooting section, ensure that all device latches are not binding against their corresponding strikes. A bound latch can cause sluggish electric retraction or prevent retraction entirely.

**Symptom:** Neither DEVICE ONE or DEVICE TWO pulls back after the control switch is activated.

Possible Causes:

1. A short circuit in the output circuits. If either device output is shorted, an electronic circuit breaker will trip and be indicated by a red LED indicator labeled "Fault" on the circuit board. Locating and removing the short and recycling the input should clear the fault. The most likely cause will be a short circuit in the solenoid wiring or a defective solenoid assembly.
2. An open connection in the field wiring between the power supply and control switch used for activating latch retraction.
3. A defective control switch.
4. An open connection in the field wiring between the power supply and exit device.
5. There may be no pulse. To check for pulses, prop the door open and connect a voltmeter across the red and black leads coming from the exit device (red lead is positive). Next, connect a jumper wire across terminals 16 and 15 of TB3 to keep DEVICE ONE in a continuous pulled back state. If the voltmeter measures approximately 24VDC at the moment the jumper wire was installed, but the latch did not budge, then no initial pulse was generated. Check for a series of timed pulses that will occur approximately every six seconds. (Make sure the control rod is not positioned over the reflective sensor on the pulse module when making the next check.) Wait for about 20 seconds to see if the latch pulls back. If it still does not respond, then it indicates the pulse module is inoperative and the entire solenoid/module assembly must be replaced.

**Symptom:** When 120 volts is applied to TB1, the exit devices immediately pulls back, even though the control switch had not been activated.

Possible Causes:

1. Field wiring between the power supply and control switch are shorted together against the conduit or switch mounting box.
2. A maintain switch is being used and is in the closed position.
3. A defective control switch.

**Symptom:** A noticeable buzzing sound at equal intervals is coming from inside the exit Device while in pulled back state.

Possible Causes:

1. The latch is binding against its corresponding strike and preventing it from pulling back fully, due to misalignment between the latch and strike opening.
2. A defective pulse module.