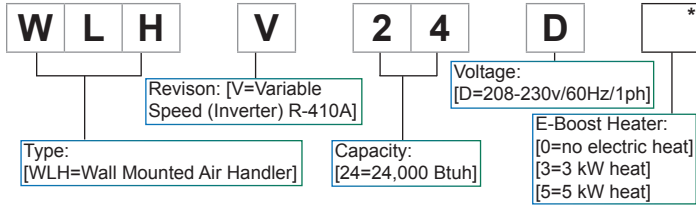


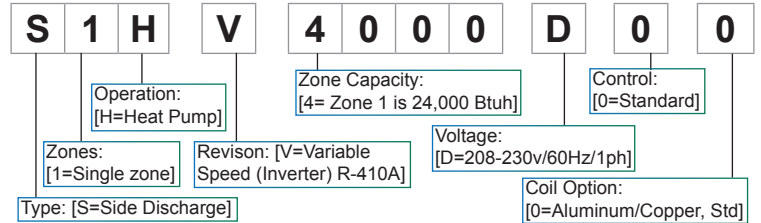
Single-Zone 24,000 Btuh High Wall Variable-Speed Heat Pump Split System

Indoor Air Handler Model:



Note: A Handheld Infrared Remote Control comes with each, standard

Outdoor Condenser Model:



Order Quantity of System	
Single-Zone 24,000Btuh Wall Hung Variable-Speed Heat Pump Split System	

* Select Electric Heat option, exclusively available through dual point power.



Please indicate quantity of optional accessories for each system (max allowed)

Wired OEM Wall Control for indoor air handler (1) *Comes with a single 15' Interconnecting Cord Extension	Wind baffles / hail guard, architectural louver kit (required for cooling operation to 0°F (-18°C) (1)
15' Interconnecting Cord Extension for Wired OEM Wall Control (10)	Bi-flow Filter Drier (1)
208/230V Condensate Pump Kit, 48" lift (1)	Refrigerant line set, 25-feet (Both Tubes Insulated) (Max of 100 EQUIVALENT feet)
Boost Transformer for 115V Installation. (Not compatible with electric heat) (2-Dual Point Power, 1-Single Point Power)	Refrigerant line set, 50-feet (Both Tubes Insulated) (Max of 100 EQUIVALENT feet)

Electrical Specifications

Model #	Volts/Hz/Ph	Fan Motor		Elec Heat		Compressor		Total Amps	Min Volt.	MCA	HACR BRKR
		Amps	HP	Amps	kW	RLA	LRA				
S1HV4000D00	208/230/60/1	0.65	0.11	-	-	13.0	15	14.25	197	17.5	30
WLHV24D0	208/230/60/1	0.56	0.07	-	-	-	-	0.56	197	0.7	15
WLHV24D3	208/230/60/1	0.56	0.07	13.04	3	-	-	13.6	197	17	20
WLHV24D5	208/230/60/1	0.56	0.07	21.74	5	-	-	22.3	197	27.9	30

Performance — Heat Pump System With High Wall Units

Condenser	Air Handler	Cooling Btuh(kW)	Heating Btuh(kW)	SEER	HSPF	SHR	EER	COP	Ref.
S1HV4000D00	WLHV24D0	24,000 (7.0)	21,000 (6.2)	17.0	9.5	0.67	11.0	3.2	R-410A

Operating Range

		Outdoor Ambient Temp	Indoor Ambient Temp
Cooling	Max	115°F (46°C) DB	90°F (32°C) DB
	Min	*0°F (-18°C) DB	66°F (19°C) DB
Heating	Max	70°F (21°C) DB	83°F (28°C) DB
	Min	-13°F (-25°C) DB	63°F (17°C) DB

*With optional wind baffles kit, otherwise the minimum temp will be 32°F (0°C)



To: _____
 Date: _____
 From: _____
 Contact: _____

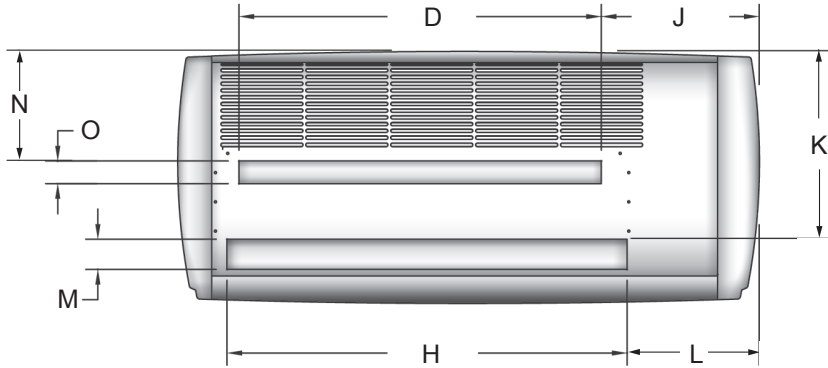
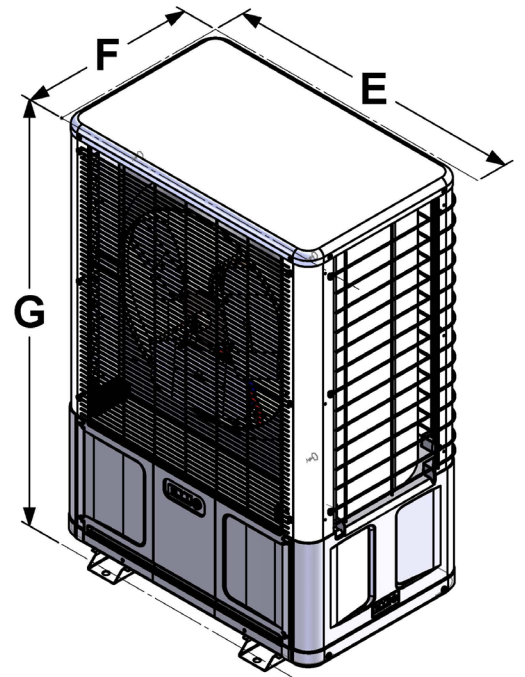
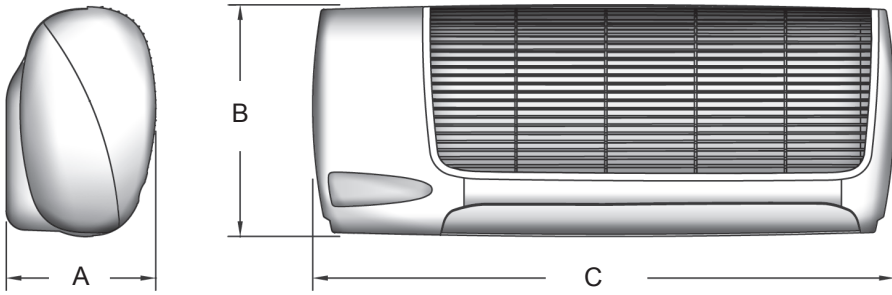
Project: _____
 Customer: _____
 Location: _____
 Engineer: _____
 Unit Tag# _____

For Your: Reference

Approval

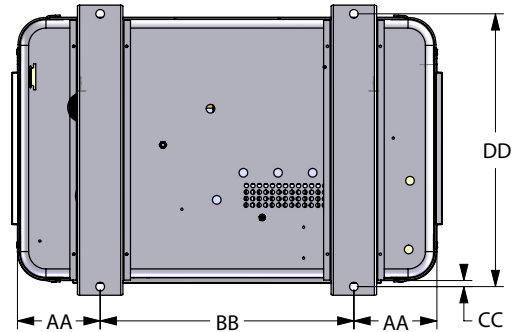
Construction

Indoor Air Handler & Outdoor Condenser Dimensions

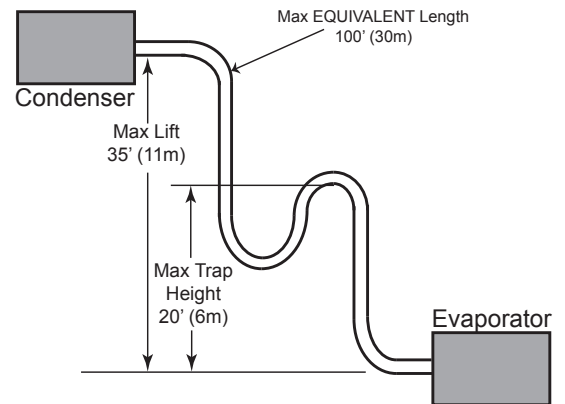


Dim	Inches	mm	Dim	Inches	mm	Dim	Inches	mm
A	9.88	251	G	40.00	1016	N	7.31	186
B	15.25	387	H	36.50	927	O	1.50	38
C	48.50	1232	J	5.25	133	AA	4.63	117
D	34.00	864	K	12.25	311	BB	22.69	570
E	32.00	813	L	4.38	111	CC	3.00	76
F	15.00	381	M	2.00	51	DD	12.44	316

D=Mounting Bracket Clearance H=Tuning Access Clearance



Miscellaneous Technical Data			
Condenser Weight	108 lbs (49.1 kg)	Condenser Sound Level (low/high)	65/69 dBA
Air Handler Weight	66.2 lbs (30.0 kg)	Condensate Pump Max Lift	* 48" (1.2m)
Air Handler Filter	1 washable mesh		* Measured from bottom of drain pan



Indoor Fan Details	High	Med	Low
Disch. Air Volume [CMF (L/S)]	750 (350)	715 (335)	675 (320)
Indoor Sound Levels [dBA]	56	54	52



EnviroMaster International

2201 Dwyer Avenue • Utica, New York 13501
 Phone: 800.325.5479 • Fax: 866.432.7329
 E-Mail: emi@enviromaster.com • Web: enviromaster.com

Out/In Model	Factory Charge
S1HV4000D00	* 54.0oz (1531g)
WLHV24D#	
Line Charge	0.64 oz/ft (59 g/m)

* Total charge for the condenser & air handler; condenser shipped from factory with that total charge

Suction Connection: 5/8", bush from 3/4" @ WLHV
 Liquid Connection: 3/8"

NOTICE: Due to ongoing product development; design, specification and performance data listed within this submittal document are subject to change without notice. For the most current unit/system performance data, please refer to the ECR International listing of certified products in the AHRI directory, at www.ahridirectory.org. Please consult the factory for further information.