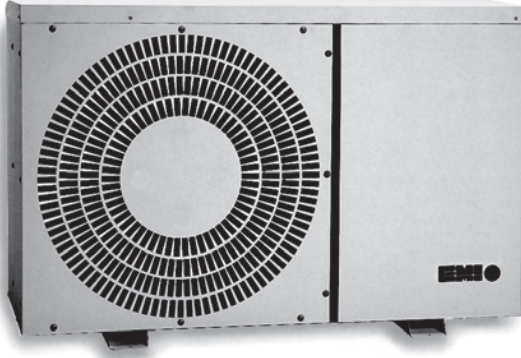




Comfort Where It Counts.



COOLING ONLY/HEAT PUMP

Nominal Capacities: 9000, 12000, 15000,
18000, 24000, 30000, 36000 Btuh

DESCRIPTION

The AmericaSeries SCC/SHC condensing unit is an air-cooled, high efficiency unit designed specifically to meet and/or exceed a SEER rating of 10.0. (See chart on back.)

The SCC/SHC condensing unit will provide cooling and heating for a single evaporator of any style from 9,000-36,000 Btuh capacity. It is a quiet unit that can be recommended for both commercial and residential applications.

Installation of the SCC/SHC is simplified by the use of a 24V control interconnection to the evaporator and multiple units can be stacked to reduce the footprint. All valves are internal to reduce tampering and all 9,000-15,000 Btuh units are equipped with a Duratec Performance Package, which includes an oversized suction accumulator with surge baffles and enhanced oil management; a factory installed solid core filter drier; loss of charge switch; and a crankcase heater (when the low ambient control option is selected).

The SHC is a maximum range, reverse cycle (hot gas) defrosting heat pump, controlled by a state-of-the-art defrost control board. The defrost cycles of the SHC are factory preset for maximum system efficiency. The Duratec performance package on an SHC comes with a bi-flow solid core filter drier and a high pressure switch in addition to the standard features above.

A compressor cut-out is standard on all 9,000-15,000 Btuh heat pump condensers. This will energize the indoor electric heat when outdoor temperatures fall below 0° F. When choosing an SHC heat pump, a matching evaporator with the electric heat option is recommended.

**SCC/SHC
DUCTLESS SPLIT SYSTEM SINGLE-ZONE
CONDENSING UNIT**

P/N# 240003245, Rev. 1.9 [05/05]

CONDENSER STANDARD FEATURES

▲▼ **Cabinet Construction** - Cabinet and integrated Fan Guard fabricated of 20 gauge galvanized steel and finished in off-white with corrosion inhibiting, polyester, powder-coated paint (2000 hour salt spray-tested).

▲▼ **Compressor** - Hermetically sealed, high efficiency rotary or reciprocating type, depending on unit capacity. Motor is PSC type with inherent overload protection. Compressor is installed on resilient mountings.

▲▼ **Refrigeration Circuit** - The SCC/SHC is delivered with pre-charged refrigerant for the condenser coil and evaporator. Charging of field installed piping is required. Unit refrigeration valves are solid brass, for sweat connection.

▲▼ **Reverse Cycle Operation** - A 4-way reversing valve, solenoid activated by 24V, is energized for cooling operation. A TXV with internal check valve provides proven operation through all temperature ranges in heat pump mode.

▲▼ **Condenser Coil** - Condenser coil is seamless, copper tubing, arranged in staggered configuration, with enhanced aluminum fins. The tubes are mechanically expanded for secure bonding to fin shoulder.

▲▼ **Condenser Fan/Motor** - The SCC/SHC utilizes an advanced draw-through air flow design that maximizes the heat transfer capability of the enhanced fin coil and the motor is fitted with internal thermal protection. The condenser fan is a large diameter, high efficiency, propeller type, directly connected to the totally enclosed, PSC motor.

▲▼ **Factory Installed Controls and Components:**

- Compressor and Fan Motor Contactor
- Low Voltage Interconnect
- Duratec Performance Package (9-15 Only)
 - Oversized Suction Accumulator
 - Solid Core Filter Drier
 - Loss of Charge Switch
 - High Pressure Switch (SHC Only)
- Start-Assist Capacitor (SHC Only)
- Defrost Control Board and Termination Switch (SHC only)

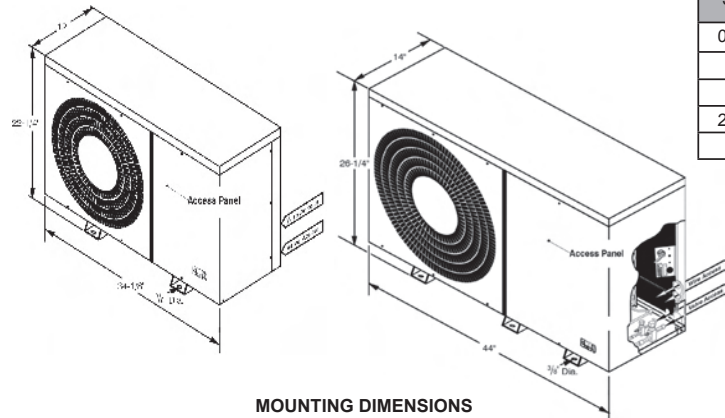
▲▼ **Refrigerant Run Options** - The standard system will support refrigerant runs to the inside unit of 35' of lift, up to 100' of interconnect. Consult factory if greater run/lift interconnect is required.

SYSTEM OPTIONS

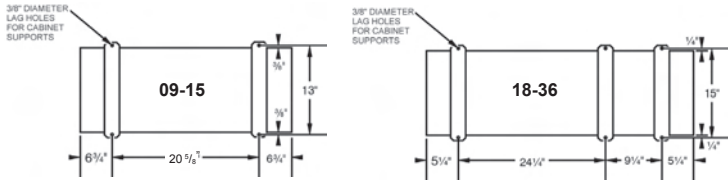
- Sea Coast Style Coated Coils
- 115V (9,000-12,000 Btuh only)
- 265V (all models)
- Hard Start (SCC only; standard on SHC)
- Low Ambient controls (specify this option if the system will operate in cooling mode at outside temperatures below 60° F)

SCC/SHC DIMENSIONS & SPECIFICATIONS

NOTE: All EMI products are subject to ongoing development. Design and specifications may change without notice.



MOUNTING DIMENSIONS



SCC/SHC PHYSICAL DIMENSIONS AND PIPING SPECIFICATIONS						
UNIT SIZE	WIDTH	HEIGHT	DEPTH	SHIPPING WT. (LBS.)	INTERCONNECTING REFRIGERANT LINE SIZES	
09, 12	34 1/8"	22 1/4"	12"	90	1/4"	1/2"
15	34 1/8"	22 1/4"	12"	90	1/4"	5/8"
18	44"	26 1/4"	14"	135	3/8"	5/8"
24, 30	44"	26 1/4"	14"	155	3/8"	3/4"
36	44"	26 1/4"	14"	155	3/8"	7/8"

SCC/SHC PERFORMANCE DATA*				
MODEL	COOLING		HEATING	
	BTUH	SEER	BTUH	HSPF
09	9,500	10.5	9,000	7.1
12	12,000	10.0	11,200	7.0
15	15,800	10.3	14,100	7.1
18	18,600	10.3	18,000	7.0
24	24,000	10.6	21,500	7.3
30	28,400	10.2	26,200	7.9
36	33,000	10.0	31,000	6.8

* When paired with EMI's highest sales volume combinations

SCC/SHC ELECTRICAL SPECIFICATIONS									
Model#	Volts/HZ/PH	Fan Motor		Compressor		Total AMPS	Min Volt	M.C.A.	HACR BRKR
		AMPS	HP	RLA	LRA				
115V 60Hz									
09AA	115/60/1	1.6	0.125	7.4	44	9	104	10.9	15
12AA		1.6	0.125	9.7	54	11.3	104	13.7	20
208/230V 60Hz									
09DM	208/230/60/1	1	0.125	4.1	20	5.1	197	6.1	15
12DM		1	0.125	5.1	28	6.1	197	7.4	15
15DM		1	0.125	6.4	35	7.4	197	9.0	15
18DF		1	0.125	7.4	48	8.4	197	10.3	15
24DF		1	0.125	9.6	60	10.6	197	13.0	20
30DF		1	0.125	11.8	73	12.8	197	15.8	25
36DF		1.8	0.333	14.4	86	16.2	197	19.8	30
265/277V 60Hz									
09EM	265/277/60/1	1	0.125	3.3	18	4.3	240	5.1	15
12EM		1	0.125	4.2	28	5.2	240	6.3	15
15EA		1	0.125	5.4	32	6.4	240	7.8	15
18EF		1	0.125	6.5	44	7.5	240	9.1	15
24EF		1	0.125	8.2	58	9.2	240	11.3	15
30EF		1	0.125	10.4	72	11.4	240	14.0	20
36EF		1.8	0.333	13	90	14.8	240	18.1	30
220/240 50 Hz									
09FA	220/240/50/1	1	0.125	3	18.6	4	198	4.8	15
12FA		1	0.125	4.1	28	5.1	198	6.1	15
15FA		1	0.125	5.2	32	6.2	198	7.5	15
18FF		1	0.125	6.7	42	7.7	198	9.4	15
24FF		1	0.125	8.4	55	9.4	198	11.5	15
30FF		1	0.125	10.7	70	11.7	198	14.4	25
36FF		1.8	0.333	13.4	85	15.2	198	18.6	30



EMI
Comfort Where It Counts.

Enviromaster International LLC
5780 Success Drive, Rome, NY 13440
Phone: 1-800-228-9364
Fax: 1-800-232-9364