

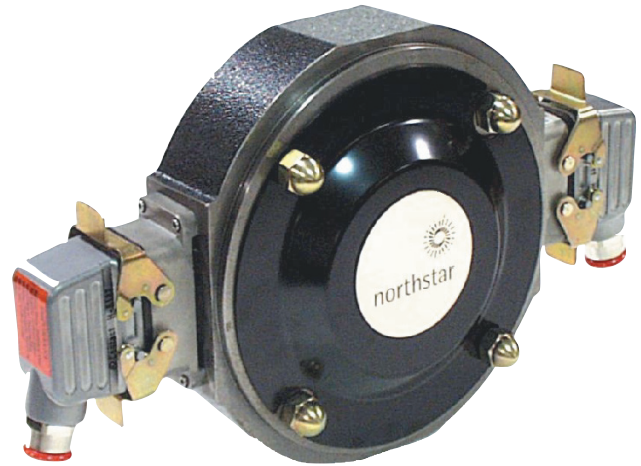
SERIES RIM Tach 8500

NorthStar™ brand

Bearingless Encoder

Key Features

- **Compact, Bearingless Design Mounts to 180-C Face Motors**
- **Sensor Modules are Removable On-The-Fly and Require No Gapping**
- **Stainless Steel and Ductile Cast Iron Construction for Harsh Mill Environments**
- **Magneto-Resistive Technology Resists Dust, Dirt, Oil, Water and Other Common Contaminants**



This product has been discontinued and replaced by the RIM Tach RT8 series. Please visit www.dynapar.com for more information

SPECIFICATIONS

STANDARD OPERATING CHARACTERISTICS

Code: Incremental, Magnetic
Pulses per Revolution: 60-1200 PPR
Phasing Sense: A leads B for Counter-Clockwise rotation (CCW) viewing encoder-mounted end
Quadrature Phasing: 90° ± 22°
Symmetry: 180° ± 54°
Index: 270°, ungated (optional gated to falling B edge)
Number of Output Modules: Single or Dual

ELECTRICAL

Input Power Requirements: 5-15 VDC, 15-26 VDC, 45 mA typical per sensor module plus line driver load
Output Signals: 4428 Differential Line Driver: 150mA, sink or source
Frequency Response: 0 - 120kHz Data & Index
Noise Immunity: Tested to EN61326-1
Electrical Immunity: Reverse polarity and short circuit protected
Connector: 10 pin industrial duty latching, sealed NEMA 4 & 12, IP65

MECHANICAL

Bore Sizes: 5/8" to 3.75"
Mounting Configuration: 8.5" 180 C-Face Mount for NEMA MG1 Standards
Shaft Speed: 7,000 RPM
Shaft Length Required: 2.5" min
Allowable Shaft End-Play: ± 0.050"
Allowable Shaft Runout: 0.003" TIR
Acceleration Rate: 3600 rpm/sec max
Housing Material: Cast Iron/Stainless Steel
Weight: 26.5 lbs

ELECTRICAL CONNECTIONS

Signal	Connector Pin	Pigtail Cable	MS 3102E18-IT#
Common	1	Black	A
B	2	Green	E
A	3	Blue	D
Z *	4	Violet	C
No Connection	5	—	—
Vcc	6	Red	B
B̄	7	Yellow	H
Ā	8	Gray	G
Z *	9	Orange	I
Shield	10	Braid	J

* Index (Z) optional. See Ordering Information

NorthStar™ brand SERIES RIM Tach 8500

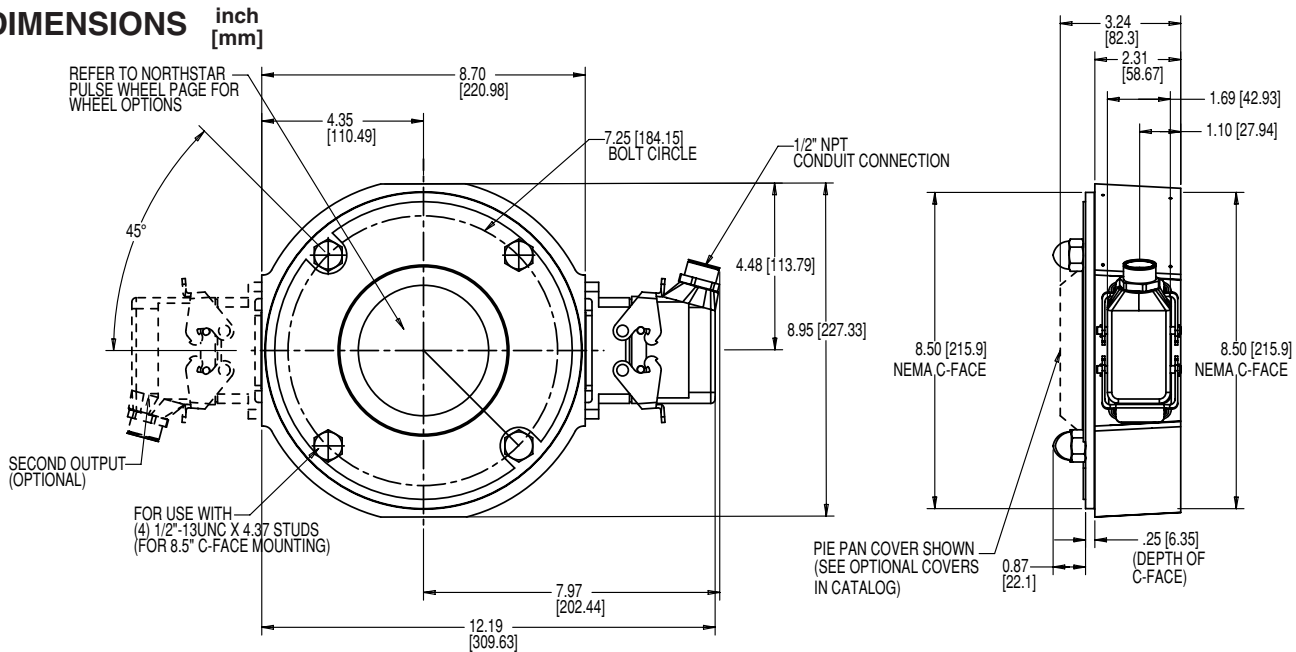
Ordering Information

To order, complete the model number with code numbers from the table below:

Code 1: Model	Code 2: PPR	Code 3: Index	Code 4: Wheel Bore	Code 5: Output	Code 6: Electrical	Code 7: Termination	
R8	□□□□	□	□□□	□	□	□	
Ordering Information							
R8 Motor Mount Ring, for Nema 8 1/2" C-Face Motors (180C)	0060	0300	L No Index	J04 5/8" J05 7/8" J06 1.00" J07 1-1/8"	1 Single Output 2 Dual Output, (Isolated) Differential, Bidirectional signals (A, A̅, B, B̅)	L 5-15V in, 5-15V Line Driver (4428) out H Same as L with extended temp. to 100°C R 15-26V in, 15V Line Driver (4428) out 5 5-15V in, 5V Line Driver (4428) out	C Latching Industrial Connector with 1/2" NPT F Latching Industrial Connector without Mating Connector M 10 pin MS Connector P 18" Pigtail Q Latching Industrial Connector on 18" Cable R Latching Industrial Connector on 18" Pigtail Cable without Mating Connector
	0064	0480	Available when Code 2 is 0480, 0512, 0600, 0960 1024 or 1200	K09 1-3/8" K10 1-1/2" K11 1-5/8" K12 1-3/4" K13 1-7/8" K14 2" K15 2-1/8" K16 2-1/4" K17 2-3/8" K18 2-1/2" K19 2-7/8"			
	0075	0512	G Gated Index (Z, Z̅)	For additional bore sizes up to 3.75" maximum, please consult factory.			
	0120	0600	Z Differential Index (Z, Z̅)	End of shaft mounting for GE & Emerson Motors E01 1.125" EOS E06 2.125" EOS E08 2.375" EOS E10 2.875" EOS			
	0128	0960					
	0150	1024					
	0240	1200					
	0256						

Note: See ACCESSORIES Section For Connectors, Grounding Brushes, Spare Parts and Pulse Wheels

DIMENSIONS inch [mm]



Worldwide Brands: NorthStar™ • Dynapar™ • Hengstler™ • Harowe™

DYNAPAR™
INNOVATION - CUSTOMIZATION - DELIVERY

WWW.DYNAPAR.COM

Headquarters: 1675 Delany Road • Gurnee, IL 60031-1282 • USA

Customer Service:

Tel.: +1.800.873.8731

Fax: +1.847.662.4150

custserv@dynapar.com

Technical Support

Tel.: +1.800.234.8731

Fax: +1.847.662.4150

northstar.techsupport@dynapar.com

European Sales Representative

Hengstler GmbH

Uhlandstrasse 49, 78554 Aldingen

Germany

www.hengstler.com

NorthStar™ brand is a trademark of DYNAPAR. All rights reserved.
Specifications subject to change without notice.
Document No. 702904-0002, Rev. B ©2016 DYNAPAR