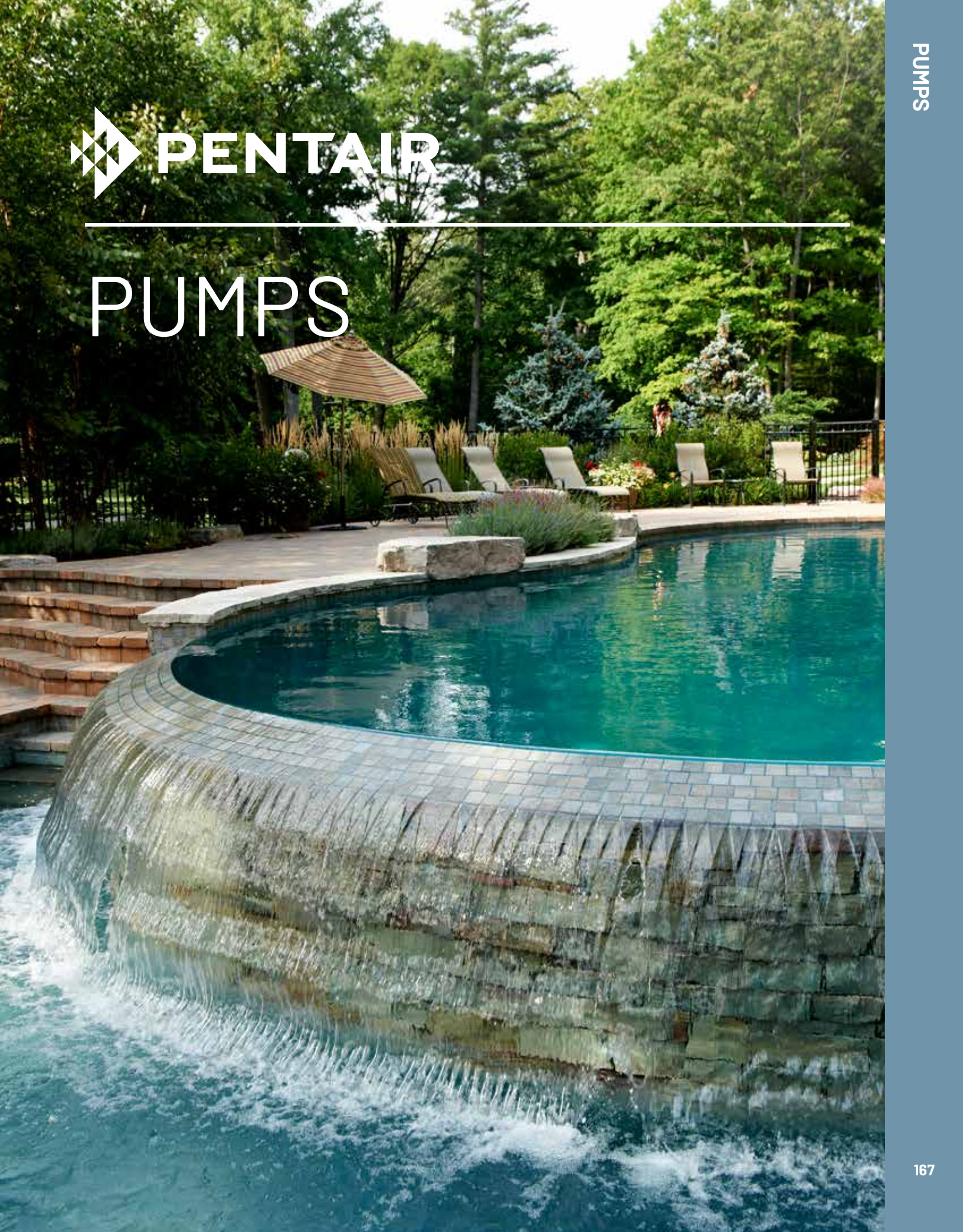




PUMPS



INTELLIFLOXF[®] VSF

HIGH PERFORMANCE PUMP

TRADEGRADE



IntelliFloXF VSF Pump



This product may be protected by one or more of the following US Patents and all corresponding foreign counterparts: 7,686,587; 7,854,597; 8,043,070; 8,469,675; 8,573,952; D568,340; D606,562; D611,430

IntelliFloXF VSF pump is the first variable speed and flow pump that adjusts to changes in flow system conditions to maintain its programmed flow rate. With its available performance and efficiency, it is perfectly suited for large and feature rich pools with high flow demand.

Featured Highlights

- Eight programmable speed or flow settings and built-in timer
- Rotatable keypad with optional wall mount kit (sold separately)
- Top-mounted field wiring compartment is easier to access and connect
- Totally enclosed fan-cooled design keeps motor shielded from the elements for extended life
- Menus are easier than ever to use
- Union connectors included for connecting directly to 2.5" or 3" plumbing
- Precisely maintains system flow requirements
- Compatible with Pentair Automation
- WEF 5.6 THP 3.95

CALIFORNIA PROPOSITION 65 WARNING

⚠ **WARNING:** Cancer and Reproductive Harm.
 ⚠ **AVERTISSEMENT:** Peut Causer le Cancer et des Dommages au Système Reproducteur.
 ⚠ **ADVERTENCIA:** Cáncer y Daño Reproductivo.
www.p65warnings.ca.gov PN20151A

Ordering Information

Product	Model	Voltage	Full Load Amps	kW	HP	SF	SFHP	FREQ.	Primary Listings and Certifications ⁴	Port Size (NPT)	Carton Wt. (Lbs.)
INTELLIFLOXF VSF ENERGY EFFICIENT VARIABLE SPEED AND FLOW PUMP											
022056	IntelliFloXF VSF	230	16	3.2	3	1.32	3.95	50HZ/60HZ	UL ¹ , NSF ² , APSP ³	2.5 in. x 2.5 in. OR 3 in. X 3in.	58
ACCESSORIES											
400012	XF Riser Base - Simplifies installation of XF-series pumps in applications where Challenger pumps are being replaced.										
521109	IntelliCom 2 - Rated 9 - 30 V DC with 4 inputs										1
350122	Communication Cable - 50 ft. - Included with pump										2
356904Z	Keypad Relocation Kit										2

¹ 'UL' indicates that pump bears a UL mark signifying evaluation to U.S. Standards UL1081 for Permanently Connected Swimming Pool and Spa Pumps and to Canadian Standards CAN/CSA C22.2 No. 108-01 Liquid Pumps For Swimming Pools Only (Enclosure 3).

² 'NSF' indicates that pump bears a mark signifying evaluation to NSF Standard 50 For Self-Priming Centrifugal Pumps For Swimming Pools Only.

³ 'APSP' Pump has been evaluated to ANSI/APSP/ICC-15 and California Title 20 and is certified to use on Residential Swimming Pool Filtration Systems.

⁴ Product may have been evaluated to other state and local regulatory standards. Listing status may change. Always confirm status with appropriate agency if in doubt.

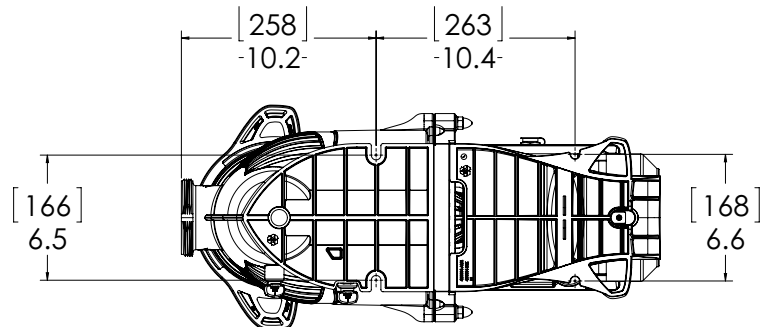
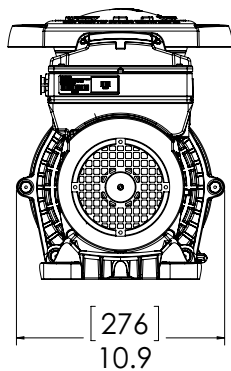
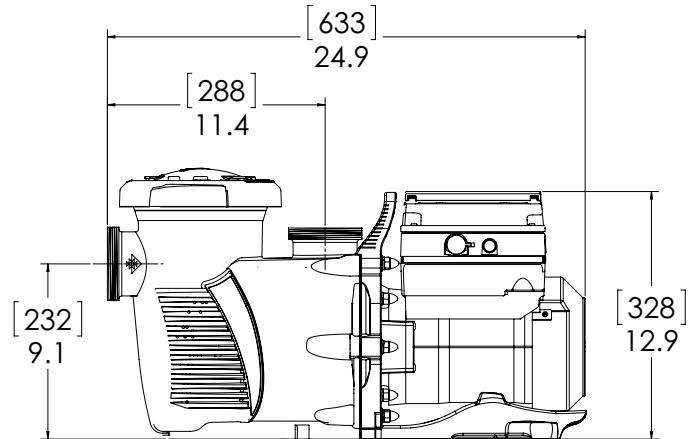
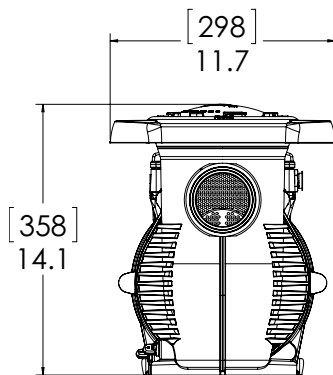
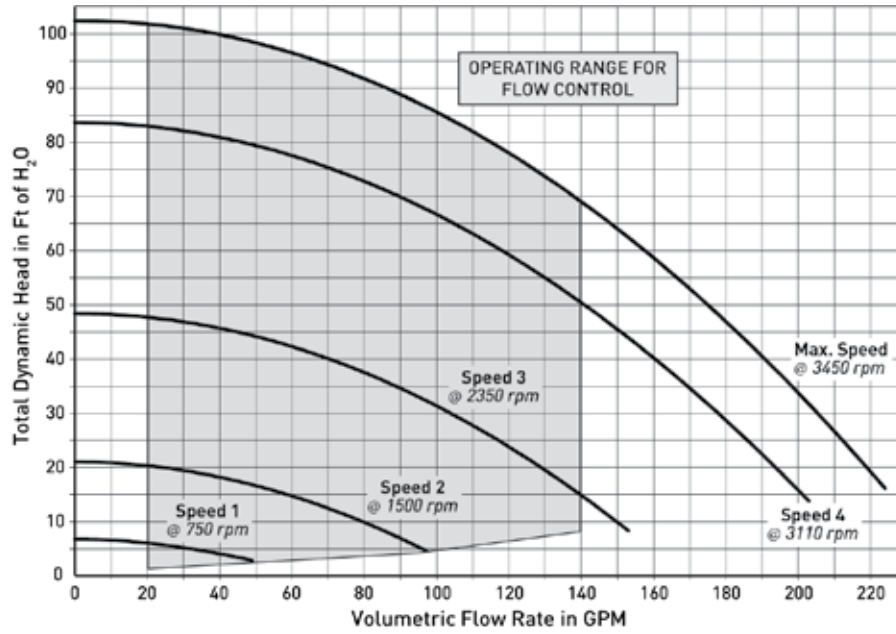
Note: Pump must be used with current collectors when installed on spas or hot tubs in Canada.

Refer to catalog page 50 for a selection of 2-Pole GFCI breakers which offer 6 milliamp personnel protection while meeting 2008 to current NEC Standards for Pool Pumps.

INTELLIFLOXF[®] VSF

HIGH PERFORMANCE PUMP (CONT'D)

Dimensions and Performance*



See page 503 for replacement parts.

INTELLIFLOXF® VARIABLE SPEED

HIGH PERFORMANCE PUMP



IntelliFloXF Variable Speed High Performance Pump



This product may be protected by one or more of the following US Patents and all corresponding foreign counterparts: D611,430; 7,686,587; 7,854,597; D606,562; 8,043,070; 8,469,675; 8,573,952

IntelliFloXF pump combines the superior internal geometry of the Pentair new generation XF pumps with the energy-savings technology of the IntelliFlo Variable Speed Pump to create an energy-efficient, economical, powerful, quiet and dependable pump.

Featured Highlights

- Innovative hydraulic isolator creates faster priming and turbulence-free flow for increased efficiency
- TEFC design keeps motor shielded from elements
- Union connectors included for 2.5 in. or 3 in. plumbing
- Drop-in replacement for WhisperFlo® Pump and optional riser base for easy Challenger® Pump replacement
- Easy carry handle; Cam and Ramp™ Lid that locks easily into place and see-through lid for easy basket inspection
- External port threading and tool-free union nut need only hand tightening
- Eight speed settings and on-board scheduling with timers
- LCD screen with rotatable keypad for easy programming
- Operates seamlessly on 50 hz or 60 hz input power
- Compatible with Pentair Automation
- WEF 5.6 THP 3.95

CALIFORNIA PROPOSITION 65 WARNING

⚠ **WARNING:** Cancer and Reproductive Harm.
 ⚠ **AVERTISSEMENT:** Peut Causer le Cancer et des Dommages au Système Reproducteur.
 ⚠ **ADVERTENCIA:** Cáncer y Daño Reproductivo.
www.p65warnings.ca.gov

Ordering Information

Product	Model	Voltage	Full Load Amps	kW	HP	SF	SFHP	FREQ.	Primary Listings and Certifications ⁴	Port Size (NPT)	Carton Wt. (Lbs.)
INTELLIFLOXF ENERGY EFFICIENT VARIABLE SPEED PUMP											
022055	IntelliFloXF	230	16	3.2	3	1.32	3.95	50HZ/60HZ	UL ¹ , NSF ² , APSP ³	2.5 in. x 2.5 in. OR 3 in. X 3in.	58
ACCESSORIES											
400012	XF Riser Base - Simplifies installation of XF-series pumps in applications where Challenger pumps are being replaced.										
521109	IntelliCom 2	- Rated 9 - 30 V DC with 4 inputs									1
350122	Communication Cable	- 50 ft. - Included with pump									2
356904Z	Keypad Relocation Kit										2

¹ 'UL' indicates that pump bears a UL mark signifying evaluation to U.S. Standards UL1081 for Permanently Connected Swimming Pool and Spa Pumps and to Canadian Standards CAN/CSA C22.2 No. 108-01 Liquid Pumps For Swimming Pools Only (Enclosure 3).

² 'NSF' indicates that pump bears a mark signifying evaluation to NSF Standard 50 For Self-Priming Centrifugal Pumps For Swimming Pools Only.

³ 'APSP' Pump has been evaluated to ANSI/APSP/ICC-15 and California Title 20 and is certified to use on Residential Swimming Pool Filtration Systems.

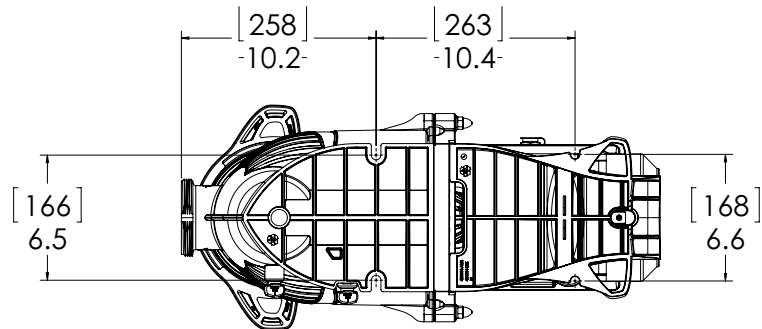
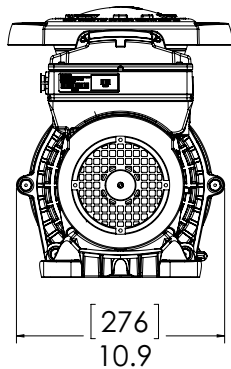
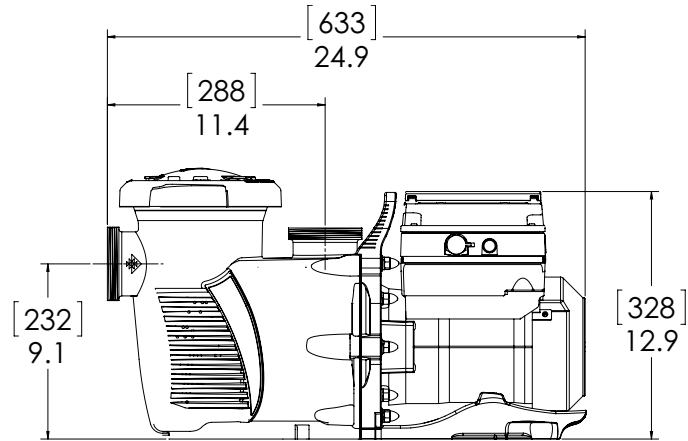
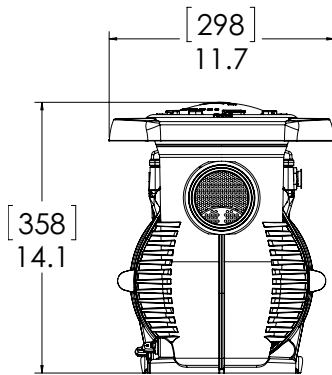
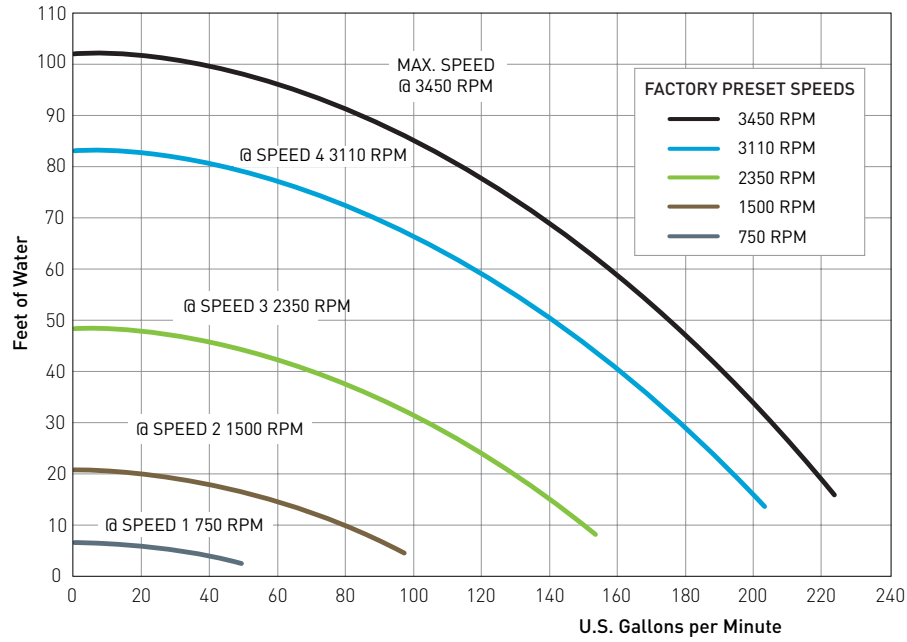
⁴ Product may have been evaluated to other state and local regulatory standards. Listing status may change. Always confirm status with appropriate agency if in doubt.

Note: Pump must be used with current collectors when installed on spas or hot tubs in Canada.

Refer to catalog page 50 for a selection of 2-Pole GFCI breakers which offer 6 milliamp personnel protection while meeting 2008 to current NEC Standards for Pool Pumps.

INTELLIFLOXF[®] VARIABLE SPEED HIGH PERFORMANCE PUMP (CONT'D)

Dimensions and Performance*



See page 503 for replacement parts.

INTELLIFLO® VSF

HIGH PERFORMANCE PUMP

TRADEGRADE



IntelliFlo VSF Pump



Featured Highlights

- Eight programmable speed or flow settings and built-in timer
- Rotatable keypad with optional wall mount kit (sold separately)
- Top-mounted field wiring compartment is easier to access and connect
- Totally enclosed fan-cooled design for increased performance and long life
- Menus are easier than ever to use
- Precisely maintains system flow requirements
- Compatible with Pentair Automation
- WEF 6.1 THP 3.95

This product may be protected by one or more of the following US Patents and all corresponding foreign counterparts: 7,686,587; 7,854,597; 8,043,070; 8,469,675; 8,573,952; D568,340; D606,562; D611,430

IntelliFlo VSF pump is the first variable speed and flow pump that adjusts to changes in flow conditions to maintain its preprogrammed flow rate to run optimally throughout the entire filtration cycle. It's like having cruise control for your pump.

CALIFORNIA PROPOSITION 65 WARNING

⚠ **WARNING:** Cancer and Reproductive Harm.
 ⚠ **AVERTISSEMENT:** Peut Causer le Cancer et des Dommages au Système Reproducteur.
 ⚠ **ADVERTENCIA:** Cáncer y Daño Reproductivo.
www.p65warnings.ca.gov

Ordering Information

Product	Model	Voltage	Full Load Amps	kW	HP	SF	SFHP	FREQ.	Primary Listings and Certifications ¹	Port Size (NPT)	Carton Wt. (Lbs.)
INTELLIFLO VSF ENERGY EFFICIENT VARIABLE SPEED AND FLOW PUMP											
011056	IntelliFlo VSF	230	16	3.2	3	1.32	3.95	50Hz/60Hz	UL ¹ , NSF ² , APSP ³	2 in. x 2 in.	55
ACCESSORIES											
521109	IntelliCom 2 - Rated 9 - 30 V DC with 4 inputs										1
350122	Communication Cable - 50 ft. - Included with pump										2
357156	Chemical Resistant Lid										1
356904Z	Keypad Relocation Kit										2
UNIONS											
11201-0154	2 in. x 2 in. Union (2 in. NPT male x 2 in. female NPT quick connect) * Note: two required per pump (sold individually)									2	

¹ 'UL' indicates that pump bears a UL mark signifying evaluation to U.S. Standards UL1081 for Permanently Connected Swimming Pool and Spa Pumps and to Canadian Standards CAN/CSA C22.2 No. 108-01 Liquid Pumps For Swimming Pools Only (Enclosure 3).

² 'NSF' indicates that pump bears a mark signifying evaluation to NSF Standard 50 For Self-Priming Centrifugal Pumps For Swimming Pools Only.

³ 'APSP' Pump has been evaluated to ANSI/APSP/ICC-15 and California Title 20 and is certified to use on Residential Swimming Pool Filtration Systems.

⁴ Product may have been evaluated to other state and local regulatory standards. Listing status may change. Always confirm status with appropriate agency if in doubt.

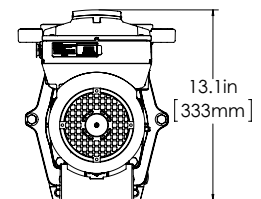
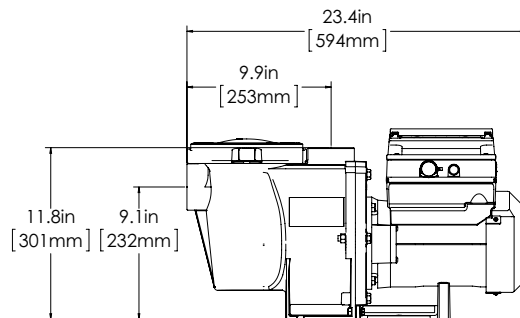
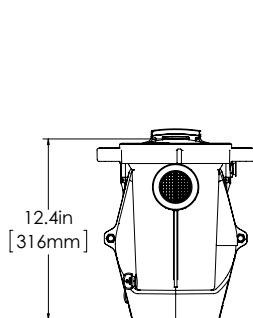
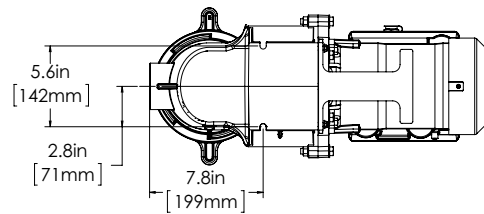
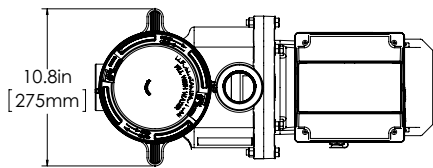
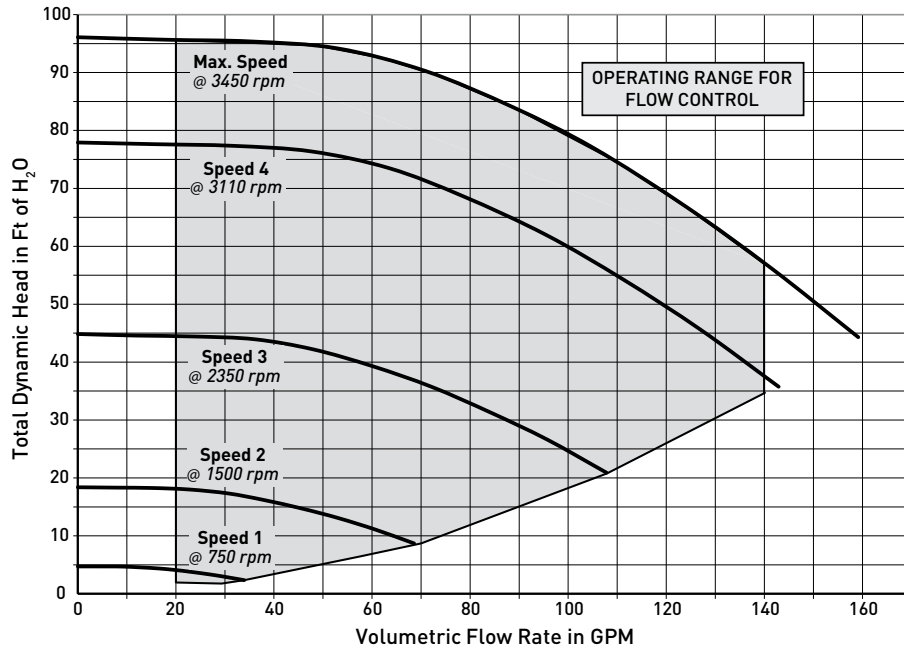
Note: Pump must be used with current collectors when installed on spas or hot tubs in Canada.

Refer to catalog page 50 for a selection of 2-Pole GFCI breakers which offer 6 milliamp personnel protection while meeting 2008 to current NEC Standards for Pool Pumps.

INTELLIFLO® VSF

HIGH PERFORMANCE PUMP (CONT'D)

Dimensions and Performance



INTELLIFLO® VARIABLE SPEED HIGH PERFORMANCE PUMP



IntelliFlo
Variable Speed Pump



Featured Highlights

- Control keypad can be rotated for convenient orientation on the pump or wall mounted with Relocation Kit
- Intuitive, easy to use menu structure for programming and monitoring
- Interfaces perfectly with Pentair automation systems that give you the convenience of mobile device control
- Totally enclosed fan cooled design for quiet operation and long life
- Top-mounted field wiring compartment makes access and installation easier
- 8-programmable speed settings and built in timer
- WEF 6.1 THP 3.95

This product may be protected by one or more of the following US Patents and all corresponding foreign counterparts: 7,686,587; 7,854,597; 8,043,070; 8,469,675; 8,573,952; D568,340; D606,562; D611,430

IntelliFlo VS Variable Speed pump is the next generation of Pentair's variable-speed pump technology. With energy savings up to 90% versus conventional pumps, near-silent operation and advanced programming capabilities, this pump continues to deliver everything a pool owner wants and reliability no other competitor can match.

CALIFORNIA PROPOSITION 65 WARNING

⚠️ **WARNING:** Cancer and Reproductive Harm.
 ⚠️ **AVERTISSEMENT:** Peut Causer le Cancer et des Dommages au Système Reproducteur.
 ⚠️ **ADVERTENCIA:** Cáncer y Daño Reproductivo.

www.p65warnings.ca.gov PH32873A

Ordering Information

Product	Model	Voltage	Full Load Amps	kW	HP	SF	SFHP	FREQ.	Primary Listings and Certifications ⁴	Port Size (NPT)	Carton Wt. (Lbs.)
INTELLIFLO VS ENERGY EFFICIENT VARIABLE SPEED (NON-SVRS MODEL)											
011028	IntelliFlo VS	230	16	3.2	3	1.32	3.95	50Hz/60Hz	UL ¹ , NSF ² , APSP ³	2 in. x 2 in.	55
ACCESSORIES											
521109	IntelliCom 2 - Rated 9 - 30 V DC with 4 inputs										1
350122	Communication Cable - 50 ft. - Included with pump										2
357156	Chemical Resistant Lid										1
356904Z	Keypad Relocation Kit										2
UNIONS											
11201-0154	2 in. x 2 in. Union (2 in. NPT male x 2 in. female NPT quick connect) * Note: two required per pump (sold individually)									2	

¹ 'UL' indicates that pump bears a UL mark signifying evaluation to U.S. Standards UL1081 for Permanently Connected Swimming Pool and Spa Pumps and to Canadian Standards CAN/CSA C22.2 No. 108-01 Liquid Pumps For Swimming Pools Only (Enclosure 3).

² 'NSF' indicates that pump bears a mark signifying evaluation to NSF Standard 50 For Self-Priming Centrifugal Pumps For Swimming Pools Only.

³ 'APSP' Pump has been evaluated to ANSI/APSP/ICC-15 and California Title 20 and is certified to use on Residential Swimming Pool Filtration Systems.

⁴ Product may have been evaluated to other state and local regulatory standards. Listing status may change. Always confirm status with appropriate agency if in doubt.

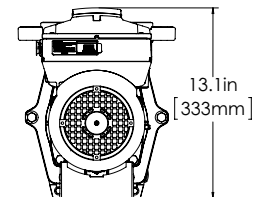
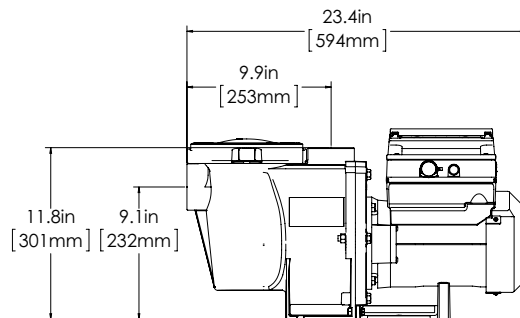
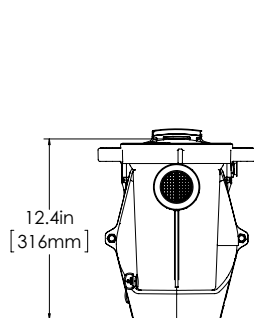
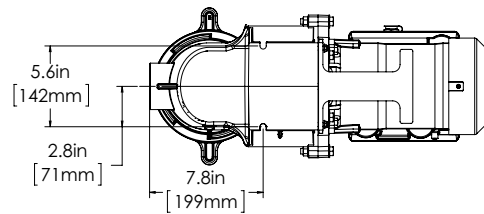
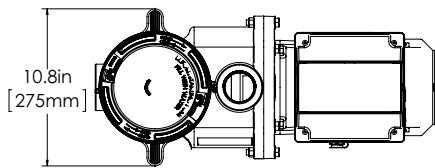
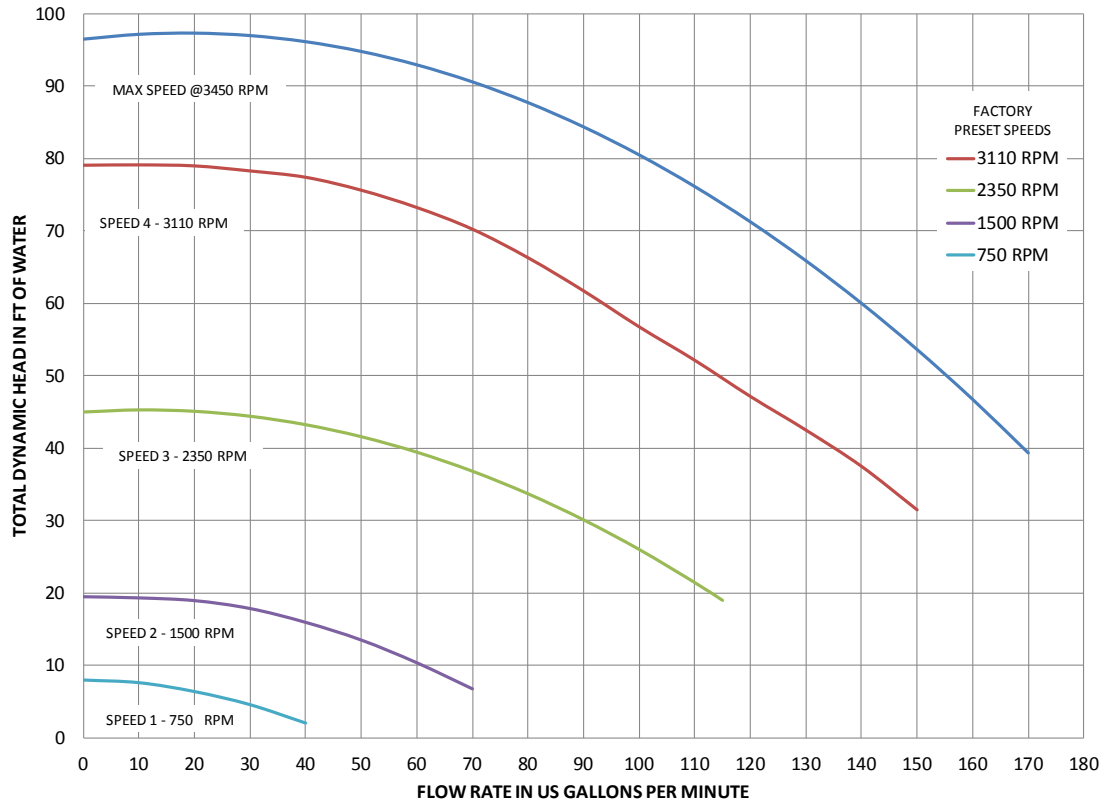
Note: Pump must be used with current collectors when installed on spas or hot tubs in Canada.

*Savings based on variable speed pump compared to a single-speed pump running 12 hours per day at an average of \$0.16 per kWh in a 20,000 gallon pool. Actual savings may vary based on local utility rates, pool size, pump run time, pump horsepower, pump rpm, plumbing size and length, pump model, service factor and other hydraulic factors.

Refer to catalog page 50 for a selection of 2-Pole GFCI breakers which offer 6 milliamp personnel protection while meeting 2008 to current NEC Standards for Pool Pumps.

INTELLIFLO® VARIABLE SPEED HIGH PERFORMANCE PUMP (CONT'D)

Dimensions and Performance



See page 506 for replacement parts.

INTELLIFLO® VS+SVRS

HIGH PERFORMANCE PUMPS



IntelliFlo VS+SVRS
High Performance Pump

This product may be protected by one or more of the following US Patents and all corresponding foreign counterparts: 8,313,306; 8,469,675; 8,602,743; 8,573,952; 8,602,745 8,043,070; 7,686,587; 7,854,597; 9,243,413; D568,340; D606,562, D611,430

IntelliFlo pumps combine variable speed technology, onboard digital intelligence and permanent magnet motors (used in hybrid cars) to reduce pump-related energy costs by up to 90%. The IntelliFlo VS+SVRS pump models were the first swimming pool pumps to feature a built-in Safety Vacuum Release System that detects drain blockage and automatically shuts the pump off.

Featured Highlights

- Ability to program exact pump speeds for specific operations – filtering, heating, cleaning, spa jets, water features and more
- SVRS complies with Virginia Graeme Baker Safety Act
- Built-in diagnostics protect the IntelliFlo pump from the most common causes of premature failure – overheating, freezing, and voltage irregularities.
- Includes priming protection. No SVRS calibrations needed. Built-in SVRS cannot be turned off.
- Safety lock-out feature (password protected) prevents pump speed settings from being changed by unauthorized personnel
- Ability to set minimum and maximum speeds so pump will only operate within the ranges set to help assure safe operation and long life
- Compatible with Pentair Automation Systems
- Compliant with the current ASME A112.19.17 Standard for Safety Vacuum Release Systems (SVRS)
- Operates seamlessly on 50 hz or 60 hz input power. Flow/speed are constant when operating on 50hz or 60 hz.
- WEF [6.1](#) THP [3.95](#)

CALIFORNIA PROPOSITION 65 WARNING

⚠ **WARNING:** Cancer and Reproductive Harm.
 ⚠ **AVERTISSEMENT:** Peut Causer le Cancer et des Dommages au Système Reproducteur.
 ⚠ **ADVERTENCIA:** Cáncer y Daño Reproductivo.
www.p65warnings.ca.gov PH20071A

Ordering Information

Product	Model	Voltage	Full Load Amps	kW	HP	SF	SFHP	FREQ.	Primary Listings and Certifications ⁶	Port Size (NPT)	Carton Wt. (Lbs.)
ENERGY EFFICIENT VARIABLE SPEED WITH SAFETY VACUUM RELEASE SYSTEM											
011057	IntelliFlo VS+SVRS	230	16	3.2	3	1.32	3.95	50hz/60hz	UL ¹ , NSF ² , CSA ³ , ASME ⁴ , ETL, APSP ⁵	2 in. x 2 in.	55
ACCESSORIES											
521109	IntelliCom 2 - Rated 9 - 30 V DC with 4 inputs										1
350122	Communication Cable - 50 ft. - Included with pump										2
350250Z	SVRS KIT - Allows use of discharge check valves with SVRS pump										1
UNIONS											
11201-0154	2 in. x 2 in. Union (2 in. NPT male x 2 in. female NPT quick connect) * Note: two required per pump (sold individually)										2

¹ 'UL' indicates that pump bears a UL mark signifying evaluation to U.S. Standards UL1081 for Permanently Connected Swimming Pool and Spa Pumps and to Canadian Standards CAN/CSA C22.2 No. 108-01 Liquid Pumps For Swimming Pools Only (Enclosure 3).

² 'NSF' indicates that pump bears a mark signifying evaluation to NSF Standard 50 For Self-Priming Centrifugal Pumps For Swimming Pools Only.

³ 'CSA' indicates that pump bears a CSA mark signifying evaluation to Canadian Standards CAN/CSA C22.2 No. 108-01 Liquid Pumps For Swimming Pools Only (Enclosure 3).

⁴ 'ASME' indicates that pump bears a specific mark signifying evaluation to ASME/ANSI Standard A.112.19.17 Manufactured Safety Vacuum Relief System (SVRS).

⁵ 'APSP' Pump has been evaluated to ANSI/APSP/ICC-15 and California Title 20 and is certified to use on Residential Swimming Pool Filtration Systems.

⁶ Product may have been evaluated to other state and local regulatory standards. Listing status may change. Always confirm status with appropriate agency if in doubt.

Note: Pump must be used with current collectors when installed on spas or hot tubs in Canada.

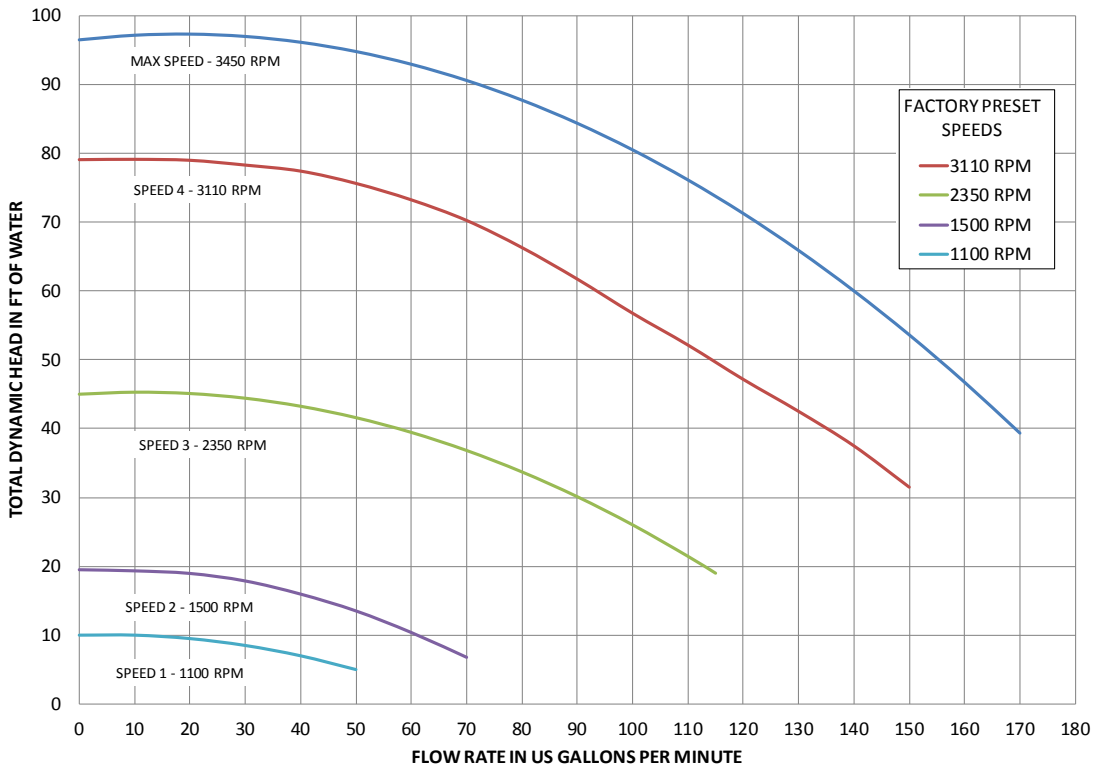
• Savings based on variable speed pump compared to a single-speed pump running 12 hours per day at an average of \$0.16 per kWh in a 20,000 gallon pool. Actual savings may vary based on local utility rates, pool size, pump run time, pump horsepower, pump rpm, plumbing size and length, pump model, service factor and other hydraulic factors.

Refer to catalog page 50 for a selection of 2-Pole GFCI breakers which offer 6 milliamp personnel protection while meeting 2008 to Current NEC Standards for Pool Pumps.

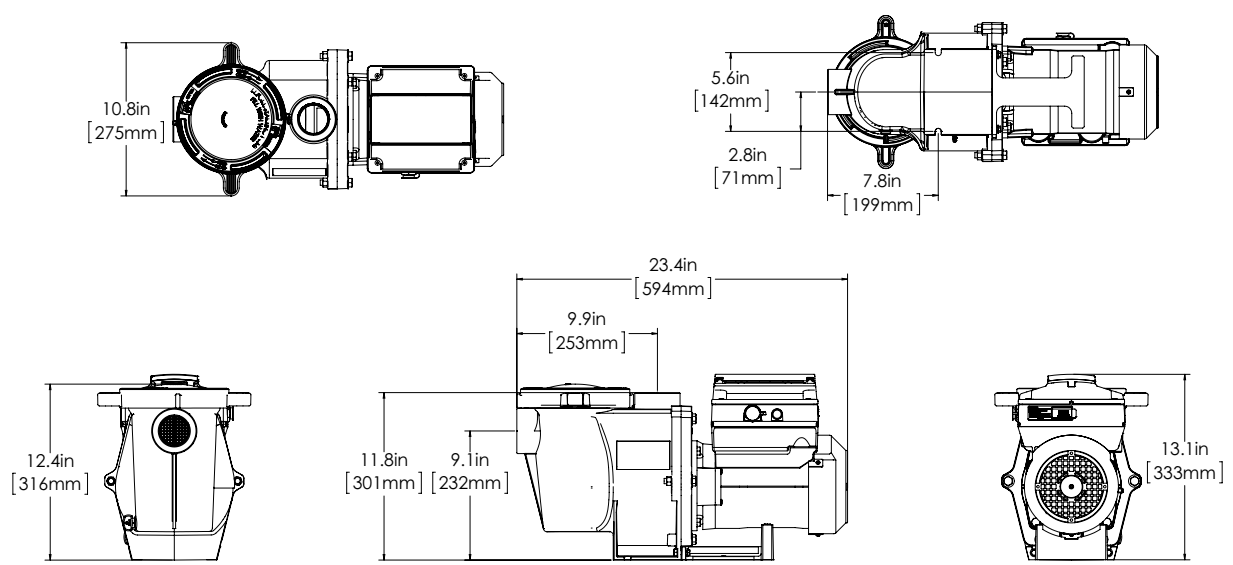
INTELLIFLO® VS+SVRS

HIGH PERFORMANCE PUMPS (CONT'D)

Dimensions and Performance



Note: IntelliFlo VS+SVRS minimum speed is 1100 RPM



See page 507 for replacement parts.

INTELLIFLO® i2

VARIABLE SPEED PUMP



IntelliFlo i2
Variable Speed Pump



This product may be protected by one or more of the following US Patents and all corresponding foreign counterparts: 7,686,587; 7,854,597; 8,043,070; 8,469,675; 8,573,952; D568,340; D606,562; D611,430

IntelliFlo i2 Variable Speed pump is hydraulically engineered to provide maximum performance on a 15-amp breaker. It has a maximum rating of 11.8 amps, also making retrofits easier in applications that are limited by existing wire gauge size. The IntelliFlo i2 pump provides all the great features that have made our best-selling IntelliFlo pumps the industry standard.

Featured Highlights

- Rotable keypad for easy programming and viewing
- Keypad has the ability to be wall mounted with optional wall kit (sold separately)
- Intuitive interface/HMI simplifies programming and use
- Top-mounted field wiring compartment for easy access and installation
- 8 programmable speed settings and built in timer
- Totally-enclosed fan-cooled design (TEFC) for quiet operation
- Built-in diagnostics protect the pump for longer service life
- Interfaces perfectly with Pentair automation systems
- WEF 6.9 THP 3.95

CALIFORNIA PROPOSITION 65 WARNING

⚠ **WARNING:** Cancer and Reproductive Harm.
 ⚠ **AVERTISSEMENT:** Peut Causer le Cancer et des Dommages au Système Reproducteur.
 ⚠ **ADVERTENCIA:** Cáncer y Daño Reproductivo.
www.p65warnings.ca.gov

Ordering Information

Product	Model	Voltage	Full Load Amps	HP	SF	SFHP	FREQ.	Primary Listings and Certifications ⁴	Port Size (NPT)	Carton Wt. (Lbs.)
ENERGY EFFICIENT VARIABLE SPEED FULL RATED										
011060	IntelliFlo i2	230V	11.8	2.0	1.98	3.95	50hz/60hz	UL ¹ , NSF ² , APSP ³	2 in. x 2 in.	55
ACCESSORIES										
521109	IntelliCom 2 - Rated 9 - 30 V DC with 4 inputs									1
350122	Automation Communication Cable for IntelliFlo - Included with pump									2
357156	Chemical Resistant Lid									1
356904Z	Optional Keypad Wall Mount Kit									2

¹ 'UL' indicates that pump bears a specific UL mark signifying evaluation to U.S. Standards UL1081 for Permanently Connected Swimming Pool and Spa Pumps and to Canadian Standards CAN/CSA C22.2 No. 108-01 Liquid Pumps For Swimming Pools Only (Enclosure 3).

² 'NSF' indicates that pump bears a mark signifying evaluation to NSF Standard 50 For Self-Priming Centrifugal Pumps For Swimming Pools Only.

³ 'APSP' Pump has been evaluated to ANSI/APSP/ICC-15 and California Title 20 and is certified to use on Residential Swimming Pool Filtration Systems.

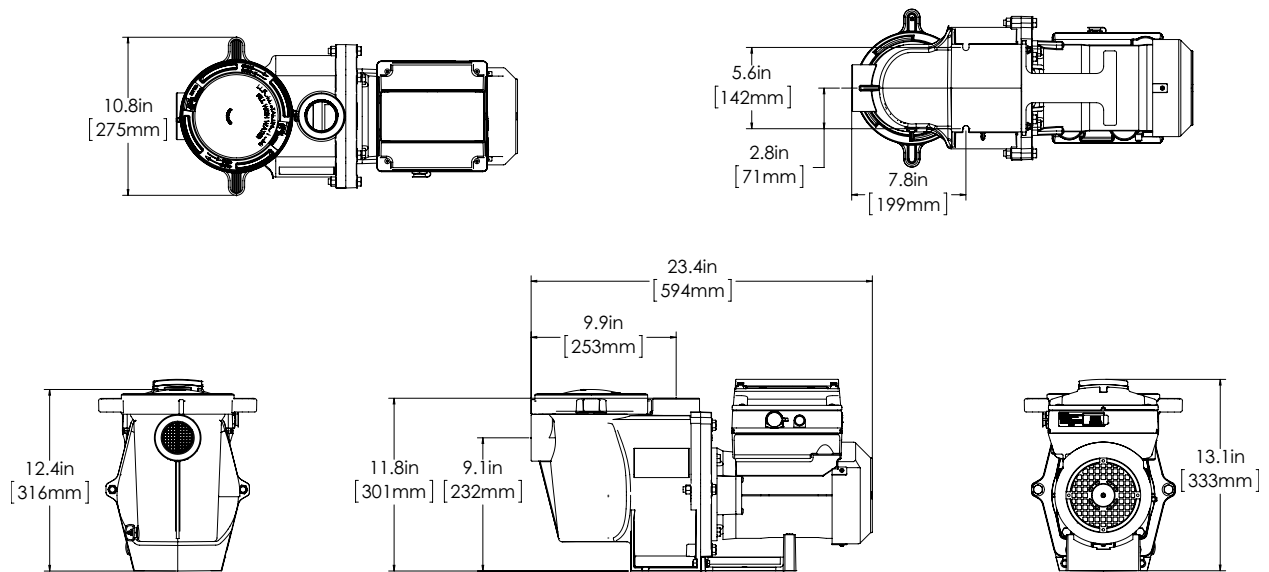
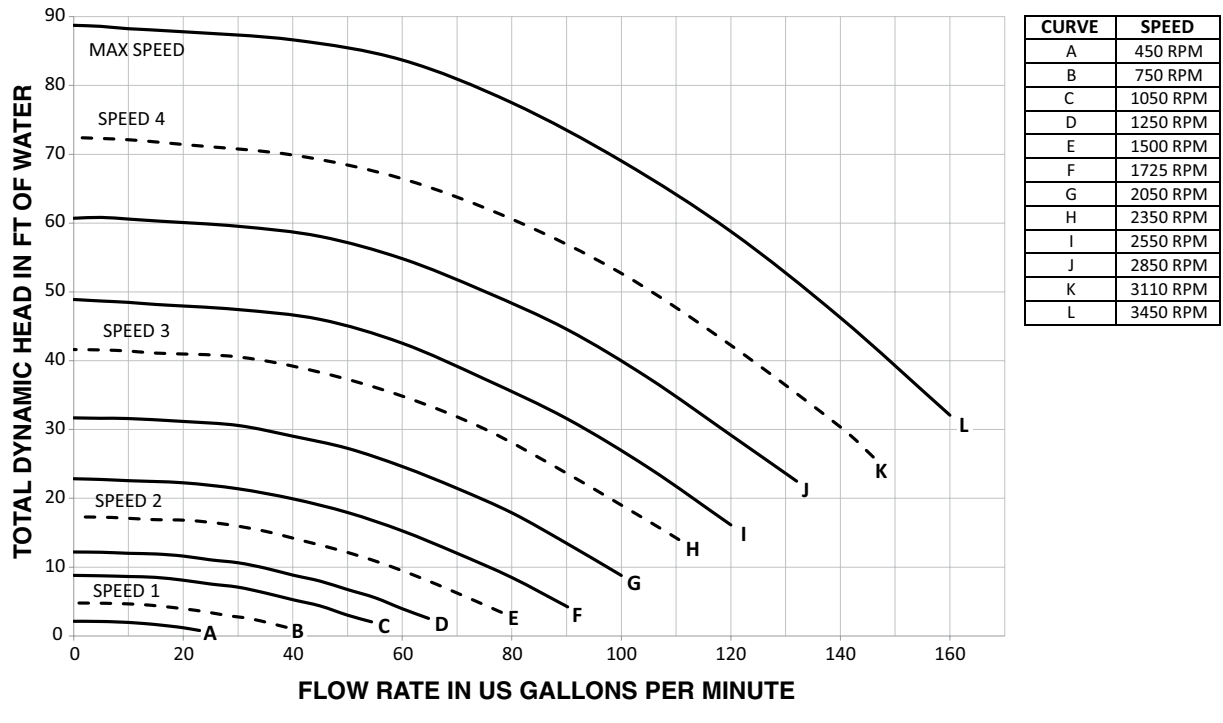
⁴ Product may have been evaluated to other state and local regulatory standards. Listing status may change. Always confirm status with appropriate agency if in doubt.

Refer to catalog page 50 for a selection of 2-Pole GFCI breakers which offer 6 milliamp personnel protection while meeting 2008 to current NEC Standards for Pool Pumps.

INTELLIFLO® i2

VARIABLE SPEED PUMP (CONT'D)

Dimensions and Performance



INTELLIFLO® i1

VARIABLE SPEED PUMP



IntelliFlo i1
Variable Speed Pump



Featured Highlights

- Rotable keypad for easy programming and viewing
- Keypad has the ability to be wall mounted with optional wall kit (sold separately)
- Intuitive interface/HMI simplifies programming and use
- Top-mounted field wiring compartment for easy access and installation
- 8 programmable speed settings and built in timer
- Totally-enclosed fan-cooled design (TEFC) for quiet operation
- Built-in diagnostics protect the pump for longer service life
- Interfaces perfectly with Pentair automation systems
- WEF 7.5 THP 3.95

This product may be protected by one or more of the following US Patents and all corresponding foreign counterparts: 7,686,587; 7,854,597; 8,043,070; 8,469,675; 8,573,952; D568,340; D606,562; D611,430

IntelliFlo i1 Variable Speed pump has a unique hydraulic platform designed for compliance in specific geographical areas with certain flow rates. IntelliFlo i1 pump provides all the features as standard IntelliFlo pumps but is engineered to be limited to the flow rate of a 1-HP pump. It also has a max amp rating of 7 amps for easy retrofits with limited existing wire gauge size.

CALIFORNIA PROPOSITION 65 WARNING

⚠️ **WARNING:** Cancer and Reproductive Harm.
 ⚠️ **AVERTISSEMENT:** Peut Causer le Cancer et des Dommages au Système Reproducteur.
 ⚠️ **ADVERTENCIA:** Cáncer y Daño Reproductivo.

www.p65warnings.ca.gov P102071A

Ordering Information

Product	Model	Voltage	Full Load Amps	HP	SF	SFHP	FREQ.	Primary Listings and Certifications ⁴	Port Size (NPT)	Carton Wt. (Lbs.)
ENERGY EFFICIENT VARIABLE SPEED FULL RATED										
011059	IntelliFlo i1	230V	7.3	1.0	3.95	3.95	50hz/60hz	UL ¹ , NSF ² , APSP ³	2 in. x 2 in.	55
ACCESSORIES										
521109	IntelliCom 2 - Rated 9 - 30 V DC with 4 inputs									1
350122	Automation Communication Cable for IntelliFlo - Included with pump									2
357156	Chemical Resistant Lid									1
356904Z	Optional Keypad Wall Mount Kit									2

¹ 'UL' indicates that pump bears a specific UL mark signifying evaluation to U.S. Standards UL1081 for Permanently Connected Swimming Pool and Spa Pumps and to Canadian Standards CAN/CSA C22.2 No. 108-01 Liquid Pumps For Swimming Pools Only (Enclosure 3).

² 'NSF' indicates that pump bears a mark signifying evaluation to NSF Standard 50 For Self-Priming Centrifugal Pumps For Swimming Pools Only.

³ 'APSP' Pump has been evaluated to ANSI/APSP/ICC-15 and California Title 20 and is certified to use on Residential Swimming Pool Filtration Systems.

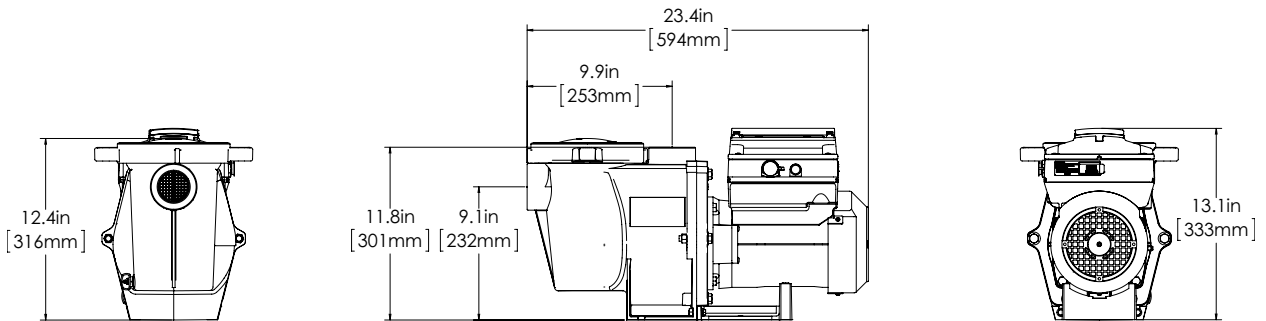
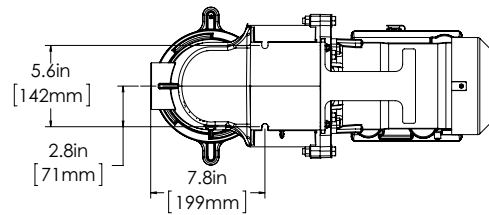
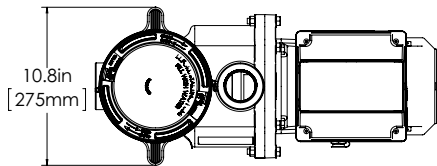
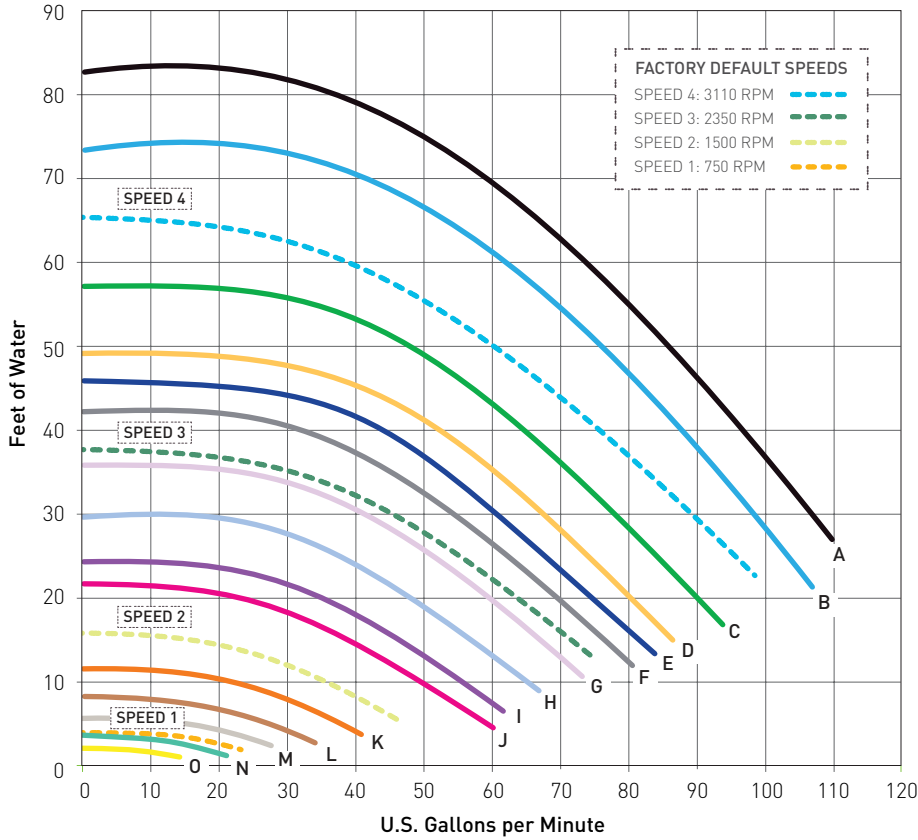
⁴ Product may have been evaluated to other state and local regulatory standards. Listing status may change. Always confirm status with appropriate agency if in doubt.

Refer to catalog page 50 for a selection of 2-Pole GFCI breakers which offer 6 milliamp personnel protection while meeting 2008 to current NEC Standards for Pool Pumps.

INTELLIFLO® i1

VARIABLE SPEED PUMP (CONT'D)

Dimensions and Performance



See page 509 for replacement parts.

WHISPERFLOXF® HIGH PERFORMANCE PUMPS



WhisperFloXF Pump

Developed using the most advanced engineering tools available - CFD (Computational Fluid Dynamics) and FEA (Finite Element Analysis). The impeller design delivers high level of precision concentricity for increased efficiency. *Optional riser base for Challenger pump replacements. Part # 400012 available separately.

TEFC Super-Duty Single Speed Models are designated

TRADEGRADE
Product 022032, 022033, 022034



CALIFORNIA PROPOSITION 65 WARNING
 ⚠️ **WARNING:** Cancer and Reproductive Harm.
 ⚠️ **AVERTISSEMENT:** Peut Causer le Cancer et des Dommages au Système Reproducteur.
 ⚠️ **ADVERTENCIA:** Cáncer y Daño Reproductivo.
www.p65warnings.ca.gov PN 201514

Ordering Information

Product	Model	Voltage	Full Load Amps	HP	SF	SFHP	Primary Listings and Certifications ⁴	Port Size (NPT)	Carton Wt. (Lbs.)	Curve Key
TEFC SUPER-DUTY SINGLE SPEED										
022032	XFET-8	208-230V	11.1-9.5	2	1.3	2.6	UL ¹ , NSF ²	2-1/2 x 2-1/2" OR 3 x 3"	57	D
022033	XFET-12	208-230V	14.6-12.7	3	1.15	3.45	UL ¹ , NSF ²	2-1/2 x 2-1/2" OR 3 x 3"	61	B
022034	XFET-20	208-230V	20.0-18.8	5	1.0	5.0	UL ¹ , NSF ²	2-1/2 x 2-1/2" OR 3 x 3"	67	A
EFFICIENT SINGLE SPEED FULL RATED										
022009	XFE-8	208V-230V	11.0-10.2	2	1.3	2.6	UL ¹ , NSF ²	2-1/2 x 2-1/2" OR 3 x 3"	55	D
022010	XFE-12	208V-230V	15.0-13.6	3	1.15	3.45	UL ¹ , NSF ²	2-1/2 x 2-1/2" OR 3 x 3"	60	B
022011	XFE-20	208V-230V	22.0-23.0	5	1.0	5.0	UL ¹ , NSF ²	2-1/2 x 2-1/2" OR 3 x 3"	72	A
STANDARD SINGLE SPEED FULL RATED										
022012	XF-8	208V-230V	11.5-11.0	2	1.3	2.6	UL ¹ , NSF ²	2-1/2 x 2-1/2" OR 3 x 3"	55	D
022013	XF-12	230V	14.1	3	1.15	3.45	UL ¹ , NSF ²	2-1/2 x 2-1/2" OR 3 x 3"	60	C
EFFICIENT TWO-SPEED FULL RATED										
022007	XFDS-8	230V	11.0-1.8	2.0/25	1.3	2.6/0.33	UL ¹ , NSF ² , APSP ³	2-1/2 x 2-1/2" OR 3 x 3"	55	D, F
022008	XFDS-12	230V	15.0-2.6	3.0/38	1.15	3.45/0.44	UL ¹ , NSF ² , APSP ³	2-1/2 x 2-1/2" OR 3 x 3"	60	C, E
EFFICIENT TWO-SPEED UP RATED										
022026	XFDS-30	230V	11.0-1.8	2.5/31	1.04	2.6/32	UL ¹ , NSF ² , APSP ³	2-1/2 x 2-1/2" OR 3 x 3"	60	D, F
STANDARD SINGLE SPEED UP RATED										
022027	XF-30	208V-230V	11.5-11.0	2.5	1.04	2.6	UL ¹ , NSF ²	2-1/2 x 2-1/2" OR 3 x 3"	55	D
EFFICIENT SINGLE SPEED UP RATED										
022028	XFE-30	208V-230V	11.0-10.2	2.5	1.04	2.6	UL ¹ , NSF ²	2-1/2 x 2-1/2" OR 3 x 3"	55	D
THREE-PHASE SUPER-DUTY										
022017	XFK-8	208-230V/460V	7.5-7.2/3.6	2	1.3	2.6	UL ¹ , NSF ²	2-1/2 x 2-1/2" OR 3 x 3"	60	I
022018	XFK-12	208-230V/460V	9.8-9.4/4.7	3	1.15	3.45	UL ¹ , NSF ²	2-1/2 x 2-1/2" OR 3 x 3"	60	H
022019	XFK-20	208-230V/460V	13.9-13.1/6.6	5	1.0	5.0	UL ¹ , NSF ²	2-1/2 x 2-1/2" OR 3 x 3"	72	G
ACCESSORIES										
400012	XF Riser Base - Simplifies installation of XF-series pumps in applications where Challenger pumps are being replaced.									

¹ 'UL' indicates that pump bears a UL mark signifying evaluation to U.S. Standards UL1081 for Permanently Connected Swimming Pool and Spa Pumps and to Canadian Standards CAN/CSA C22.2 No. 108-01 Liquid Pumps For Swimming Pools Only (Enclosure 3).

² 'NSF' indicates that pump bears a mark signifying evaluation to NSF Standard 50 For Self-Priming Centrifugal Pumps For Swimming Pools, Spas and Hot Tubs.

³ 'APSP' Pump has been evaluated to ANSI/APSP/ICC-15 and California Title 20 and is certified to use on Residential Swimming Pool Filtration Systems.

⁴ Product may have been evaluated to other state and local regulatory standards. Listing status may change. Always confirm status with appropriate agency if in doubt.

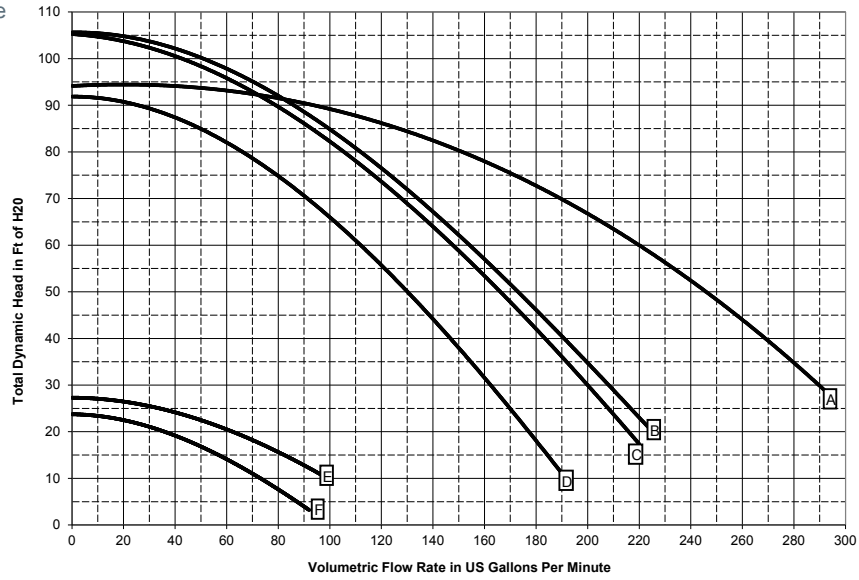
• **Pumps and replacement motors that are single speed and one (1) Total HP or greater cannot be sold, offered for sale, or installed in a residential pool for filtration use in California, Title 20 CCR sections 1601-1609.**

WHISPERFLOXF[®]

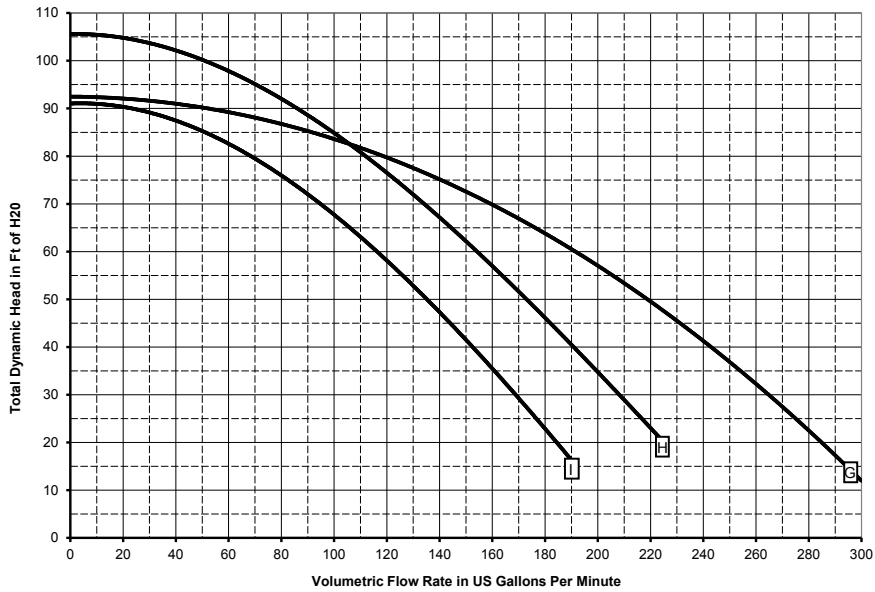
HIGH PERFORMANCE PUMPS (CONT'D)

Dimensions and Performance

1 & 2-Speed
Performance
Curve

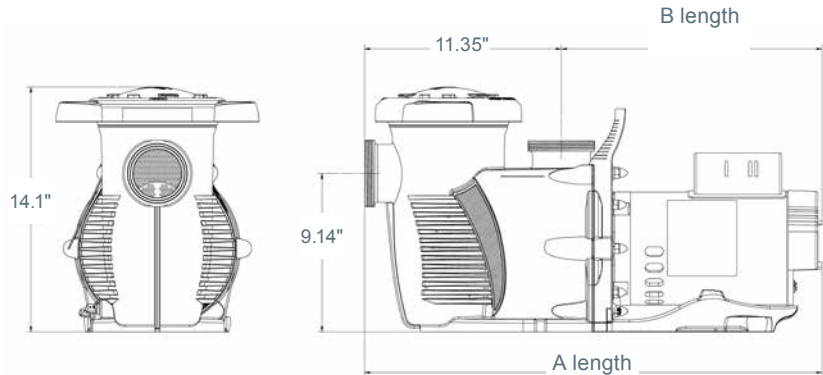


3 Phase
Performance
Curve



B- VARYING LENGTH				
HP	STD EFF	EE	1PH TEFC	3PH
2	15.04"	16.04"	13.05"	12.35"
2.5	15.04"	16.04"	-	-
3	16.04"	16.29"	13.65"	13.05"
5	-	16.78"	14.55"	13.88"

A- VARYING LENGTH				
HP	STD EFF	EE	1PH TEFC	3PH
2	26.39"	27.39"	24.40"	23.70"
2.5	26.39"	27.39"	-	-
3	27.39"	27.64"	25.00"	24.40"
5	-	28.13"	25.90"	25.23"



See page 511–512 for replacement parts.

WHISPERFLO®

HIGH PERFORMANCE PUMPS



WhisperFlo Pump

Robust thermoplastic with the Cam & Ramp™ See-Through Lid design. Self-priming, high flow with Funnel-Flo™ Diffusers. 2 in. suction and discharge ports. Motor features threaded shaft and durable commercial duty 56 frame motor.

TEFC Super-Duty Single Speed Models are designated

TRADEGRADE

Product 011527, 011528, 011529, 011530

Featured Highlights

- Oversized strainer basket and volute —industry standard in pool pumps
- TEFC Motors available
- Lower HP's deliver higher performance than industry standard
- Compatible with all cleaning systems, various filters and jet action spas
- Heavy-duty/durable construction is designed for long life
- Designed for residential and commercial applications

CALIFORNIA PROPOSITION 65 WARNING
 ⚠️ **WARNING:** Cancer and Reproductive Harm.
 ⚠️ **AVERTISSEMENT:** Peut Causer le Cancer et des Dommages au Système Reproducteur.
 ⚠️ **ADVERTENCIA:** Cáncer y Daño Reproductivo.
www.p65warnings.ca.gov

Ordering Information

Product	Model	Voltage	Full Load Amps	HP	SF	SFHP	Primary Listings and Certifications ⁴	Port Size (NPT)	Carton Wt. (Lbs.)	Curve Key
TEFC SUPER-DUTY SINGLE SPEED										
011527	WFET-4	115/208-230	15.1/8.5-7.7	1	1.65	1.65	UL ¹ , NSF ²	2 in. x 2 in.	48	G
011528	WFET-6	208-230	10.3-9.1	1-1/2	1.47	2.21	UL ¹ , NSF ²	2 in. x 2 in.	51	H
011529	WFET-8	208-230	11.7-10.3	2	1.3	2.6	UL ¹ , NSF ²	2 in. x 2 in.	55	I
011530	WFET-12	208-230	14.6-12.7	3	1.15	3.45	UL ¹ , NSF ²	2 in. x 2 in.	59	J
ENERGY EFFICIENT SINGLE SPEED FULL RATED										
011511	WFE-2	115/208-230	8.8/4.5-4.4	1/2	1.90	0.95	UL ¹ , NSF ² , APSP ³	2 in. x 2 in.	41	E
011512	WFE-3	115/208-230	12.8/7.0-6.4	3/4	1.67	1.25	UL ¹ , NSF ²	2 in. x 2 in.	41	F
011513	WFE-4	115/208-230	14.8/7.8-7.4	1	1.65	1.65	UL ¹ , NSF ²	2 in. x 2 in.	46	G
011514	WFE-6	208-230	9.6-8.8	1-1/2	1.47	2.20	UL ¹ , NSF ²	2 in. x 2 in.	54	H
011515	WFE-8	208-230	11.0-10.2	2	1.30	2.60	UL ¹ , NSF ²	2 in. x 2 in.	55	I
011516	WFE-12	208-230	15.0-13.6	3	1.15	3.45	UL ¹ , NSF ²	2 in. x 2 in.	56	J
ENERGY EFFICIENT SINGLE SPEED UP RATED										
011517	WFE-24	115/208-230	12.8/7.0-6.4	1	1.25	1.25	UL ¹ , NSF ²	2 in. x 2 in.	41	F
011518	WFE-26	115/208-230	14.8/7.8-7.4	1-1/2	1.10	1.65	UL ¹ , NSF ²	2 in. x 2 in.	46	G
011519	WFE-28	208-230	9.6-8.8	2	1.10	2.20	UL ¹ , NSF ²	2 in. x 2 in.	54	H
011520	WFE-30	208-230	11.0-10.2	2-1/2	1.04	2.60	UL ¹ , NSF ²	2 in. x 2 in.	55	I
STANDARD EFFICIENCY SINGLE SPEED FULL RATED										
011578	WF-2	115/208-230	10.8/5.2-5.4	1/2	1.95	0.95	UL ¹ , NSF ² , APSP ³	2 in. x 2 in.	41	E
011579	WF-3	115/208-230	13.2/6.2-6.6	3/4	1.67	1.25	UL ¹ , NSF ²	2 in. x 2 in.	41	F
011580	WF-4	115/208-230	16.0/7.8-8.0	1	1.65	1.65	UL ¹ , NSF ²	2 in. x 2 in.	46	G
011581	WF-6	115/208-230	21.0/10.0-10.5	1-1/2	1.50	2.25	UL ¹ , NSF ²	2 in. x 2 in.	54	H
011582	WF-8	208-230	11.5-11.0	2	1.30	2.60	UL ¹ , NSF ²	2 in. x 2 in.	55	I
011583	WF-12	230	14.1	3	1.15	3.45	UL ¹ , NSF ²	2 in. x 2 in.	56	J
STANDARD EFFICIENCY SINGLE SPEED UP RATED										
011771	WF-23	115/208-230	10.8/5.2-5.4	3/4	1.24	0.93	UL ¹ , NSF ²	2 in. x 2 in.	41	E
011772	WF-24	115/208-230	13.2/6.2-6.6	1	1.24	1.24	UL ¹ , NSF ²	2 in. x 2 in.	41	F
011773	WF-26	115/208-230	16.0/7.8-8.0	1-1/2	1.10	1.65	UL ¹ , NSF ²	2 in. x 2 in.	46	G
011774	WF-28	115/208-230	21.0/10.0-10.5	2	1.10	2.20	UL ¹ , NSF ²	2 in. x 2 in.	54	H
011775	WF-30	208-230	11.5-11.0	2-1/2	1.04	2.60	UL ¹ , NSF ²	2 in. x 2 in.	55	I
THREE-PHASE SUPER-DUTY										
011641	WFK-4	208-230/460	4.9-4.5/2.3	1	1.65	1.65	UL ¹ , NSF ²	2 in. x 2 in.	46	G
011642	WFK-6	208-230/460	6.4-6.3/3.2	1-1/2	1.47	2.21	UL ¹ , NSF ²	2 in. x 2 in.	48	H
011643	WFK-8	208-230/460	7.5-7.2/3.6	2	1.30	2.60	UL ¹ , NSF ²	2 in. x 2 in.	51	I
011644	WFK-12	208-230/460	9.8-9.4/4.7	3	1.15	3.45	UL ¹ , NSF ²	2 in. x 2 in.	58	J

WHISPERFLO®

HIGH PERFORMANCE PUMPS (CONT'D)

Product	Model	Voltage	Full Load Amps	HP	SF	SFHP	Primary Listings and Certifications ⁴	Port Size (NPT)	Carton Wt. (Lbs.)	Curve Key
EFFICIENT TWO SPEED 3450 RPM, LOW SPEED 1725 RPM FULL RATED										
012530	WFDS-3	115	14.6/4.7	3/4	1.67	1.25	UL ¹ , NSF ² , APSP ³	2 in. x 2 in.	42	A, F
011486	WFDS-4	230	7.8/3.0	1	1.65	1.65	UL ¹ , NSF ² , APSP ³	2 in. x 2 in.	47	B, G
011522	WFDS-6	230	10.0/3.5	1-1/2	1.47	2.20	UL ¹ , NSF ² , APSP ³	2 in. x 2 in.	55	C, H
011523	WFDS-8	230	11.0/4.0	2	1.30	2.60	UL ¹ , NSF ² , APSP ³	2 in. x 2 in.	56	D, I
EFFICIENT TWO SPEED 3450 RPM, LOW SPEED 1725 RPM UP RATED										
012485	WFDS-24	115	14.6/4.7	1	1.25	1.25	UL ¹ , NSF ² , APSP ³	2 in. x 2 in.	42	A, F
012518	WFDS-26	230	7.8/3.0	1-1/2	1.10	1.65	UL ¹ , NSF ² , APSP ³	2 in. x 2 in.	47	B, G
011524	WFDS-28	230	10.0/3.5	2	1.10	2.20	UL ¹ , NSF ² , APSP ³	2 in. x 2 in.	55	C, H
011525	WFDS-30	230	11.0/4.0	2-1/2	1.04	2.60	UL ¹ , NSF ² , APSP ³	2 in. x 2 in.	56	D, I
EFFICIENT SINGLE PHASE - 50HZ INPUT POWER FREQUENCY										
347926	WFEL-2	240/120	7.5/15.0	1/2	1.10	0.55		2 in. x 2 in.	41	
347927	WFEL-3	240/120	7.5/15.0	3/4	1.10	0.83		2 in. x 2 in.	41	
347928	WFEL-4	240/120	6.9/13.8	1	1.10	1.10		2 in. x 2 in.	46	
347929	WFEL-6	240	7.2	1.5	1.10	1.65		2 in. x 2 in.	54	
347930	WFEL-8	240	9.4	2	1.10	2.20		2 in. x 2 in.	55	
ACCESSORIES										
11201-0154	2 in. x 2 in. Union (2 in. NPT male x 2 in. female NPT quick connect) * Note: two required per pump (sold individually)									
357156	Cover/Lid, Chemical Resistant, CAM & RAMP									

¹ 'UL' indicates that pump bears a UL mark signifying evaluation to U.S. Standards UL1081 for Permanently Connected Swimming Pool and Spa Pumps and to Canadian Standards CAN/CSA C22.2 No. 108-01 Liquid Pumps For Swimming Pools Only (Enclosure 3).

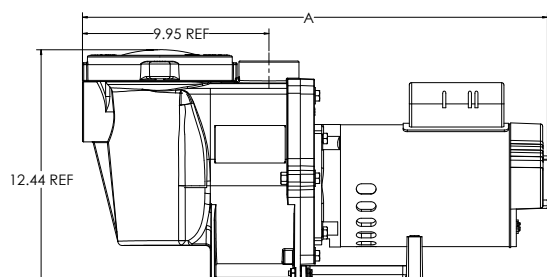
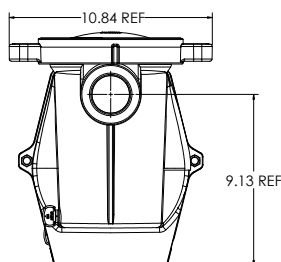
² 'NSF' indicates that pump bears a mark signifying evaluation to NSF Standard 50 For Self-Priming Centrifugal Pumps For Swimming Pools, Spas and Hot Tubs.

³ 'APSP' Pump has been evaluated to ANSI/APSP/ICC-15 and California Title 20 and is certified to use on Residential Swimming Pool Filtration Systems.

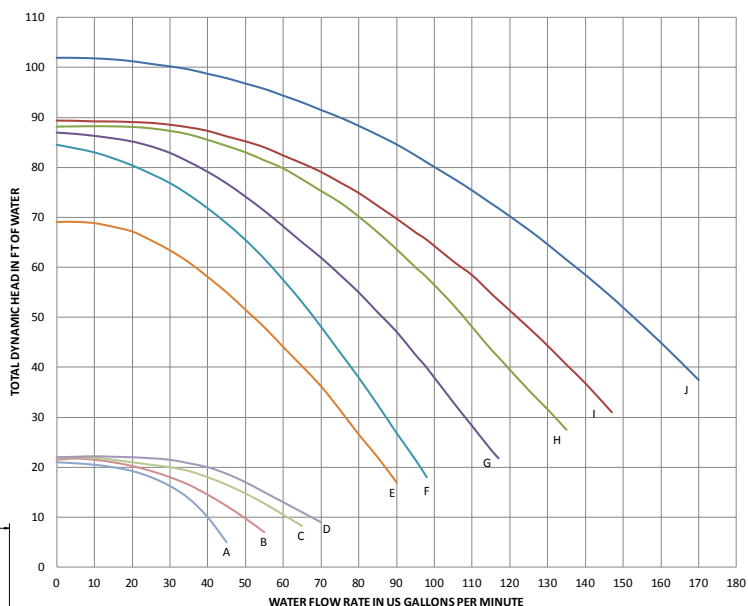
⁴ Product may have been evaluated to other state and local regulatory standards. Listing status may change. Always confirm status with appropriate agency if in doubt.

• Pumps and replacement motors that are single speed and one (1) Total HP or greater cannot be sold, offered for sale, or installed in a residential pool for filtration use in California, Title 20 CCR sections 1601-1609.

A- VARYING LENGTH				
HP	STD EFF	EE	1PH TEFC	3PH
.5	23.66	24.41		
.75	23.66	24.41		
1	24.03	24.66	21.71	21.5
1.5	25.66	25.16	22.16	21.5
2	25.66	25.66	22.51	21.81
2.5	25.66	25.66		
3	25.66	25.66	23.21	22.61



Dimensions and Performance



See page 513-514 for replacement parts.

CHALLENGER®

HIGH FLOW PUMPS



Challenger High Flow Pump



Featured Highlights

- See-through Lid
- Large Strainer Basket
- User-friendly removable drain plugs
- Clamp band for easy service
- Most diverse offering in voltage and horsepower

Fiberglass Reinforced Pump with Closed Impeller, Single Speed. Pump components are custom molded thermoplastic for superior strength and durability. All components developed and perfected through Computer Assisted Design for maximum flow performance at minimum operating expense.

TEFC Super-Duty Single Speed Models are designated

TRADEGRADE

Product 348158, 348159, 348160

CALIFORNIA PROPOSITION 65 WARNING

⚠ **WARNING:** Cancer and Reproductive Harm.
 ⚠ **AVERTISSEMENT:** Peut Causer le Cancer et des Dommages au Système Reproducteur.
 ⚠ **ADVERTENCIA:** Cáncer y Daño Reproductivo.
www.p65warnings.ca.gov

Ordering Information

Product	Model	Voltage	Full Load Amps	HP	SF	SFHP	Primary Listings and Certifications ⁵	Port Size (NPT)	Carton Wt. (Lbs.)	Curve Key
TEFC SUPER-DUTY SINGLE SPEED										
348158	CFII N1 1FET	115/208-230	15.1/8.5-7.7	1	1.65	1.65	UL ¹ , NSF ²	2 in. x 2 in	44	C
348159	CFII N1 1-1/2FET	208-230	10.3-9.1	1-1/2	2.21	2.21	UL ¹ , NSF ²	2 in. x 2 in	59	D
348160	CFII N1 2FET	208-230	11.7-10.3	2	2.6	2.6	UL ¹ , NSF ²	2 in. x 2 in	51	E
EFFICIENT SINGLE SPEED FULL RATED										
342235	CFII-N1-1FE	115/208-230	14.8/7.8-7.4	1	1.65	1.65	UL ¹ , NSF ² , CSA ³	2 in. x 2 in.	48	C
342236	CFII-N1-1-1/2FE	208-230	9.6-8.8	1-1/2	1.47	2.20	UL ¹ , NSF ² , CSA ³	2 in. x 2 in.	49	D
342238	CFII-N1-2FE	208-230	11.0-10.2	2	1.30	2.60	UL ¹ , NSF ² , CSA ³	2 in. x 2 in.	55	E
STANDARD SINGLE SPEED FULL RATED										
342232	CFII-N1-1/2F	115/208-230	10.8/5.2-5.4	1/2	1.90	0.95	UL ¹ , NSF ² , CSA ³ , APSP ⁴	2 in. x 2 in.	37	A
342233	CFII-N1-3/4F	115/208-230	13.2/6.2-6.6	3/4	1.67	1.25	UL ¹ , NSF ² , CSA ³	2 in. x 2 in.	39	B
342234	CFII-N1-1F	115/208-230	16.0/7.8-8.0	1	1.65	1.65	UL ¹ , NSF ² , CSA ³	2 in. x 2 in.	41	C
342231	CFII-N1-1.5F	115/208-230	21.0/10.0-10.5	1-1/2	1.50	2.20	UL ¹ , NSF ²	2 in. x 2 in.	49	D
342248	CFII-N1-2F	208-230	11.5-11.0	2	1.30	2.60	UL ¹ , NSF ² , CSA ³	2 in. x 2 in.	55	E
STANDARD SINGLE SPEED UP RATED										
343232	CFII-N1-3/4A	115/230	10.8/5.2-5.4	3/4	1.25	0.95	UL ¹ , CSA ³ , APSP ⁴	2 in. x 2 in.	37	A
343233	CFII-N1-1A	115/230	13.2/6.2-6.6	1	1.25	1.25	UL ¹ , CSA ³	2 in. x 2 in.	39	B
343234	CFII-N1-1-1/2A	115/230	16.0/7.8-8.0	1-1/2	1.10	1.65	UL ¹ , CSA ³	2 in. x 2 in.	41	C
343240	CFII-N1-2A	115/230	21.0/10.0-10.5	2	1.10	2.20	UL ¹ , CSA ³	2 in. x 2 in.	49	D
343229	CFII-N1-2-1/2A	208-230	11.5-11.0	2 -1/2	1.04	2.60	UL ¹	2 in. x 2 in.	55	E

¹ 'UL' indicates that pump bears a specific UL mark signifying evaluation to U.S. Standards UL1081 for Permanently Connected Swimming Pool and Spa Pumps and to Canadian Standards CAN/CSA C22.2 No. 108-01 Liquid Pumps For Swimming Pools And Spas. (Enclosure 3).

² 'NSF' indicates that pump bears a mark signifying evaluation to NSF Standard 50 For Self-Priming Centrifugal Pumps For Swimming Pools, Spas and Hot Tubs.

³ 'CSA' indicates that pump bears a CSA mark signifying evaluation to Canadian Standards CAN/CSA C22.2 No. 108-01 Liquid Pumps For Swimming Pools And Spas. (Enclosure 3).

⁴ 'APSP' Pump has been evaluated to ANSI/APSP/ICC-15 and California Title 20 and is certified to use on Residential Swimming Pool Filtration Systems.

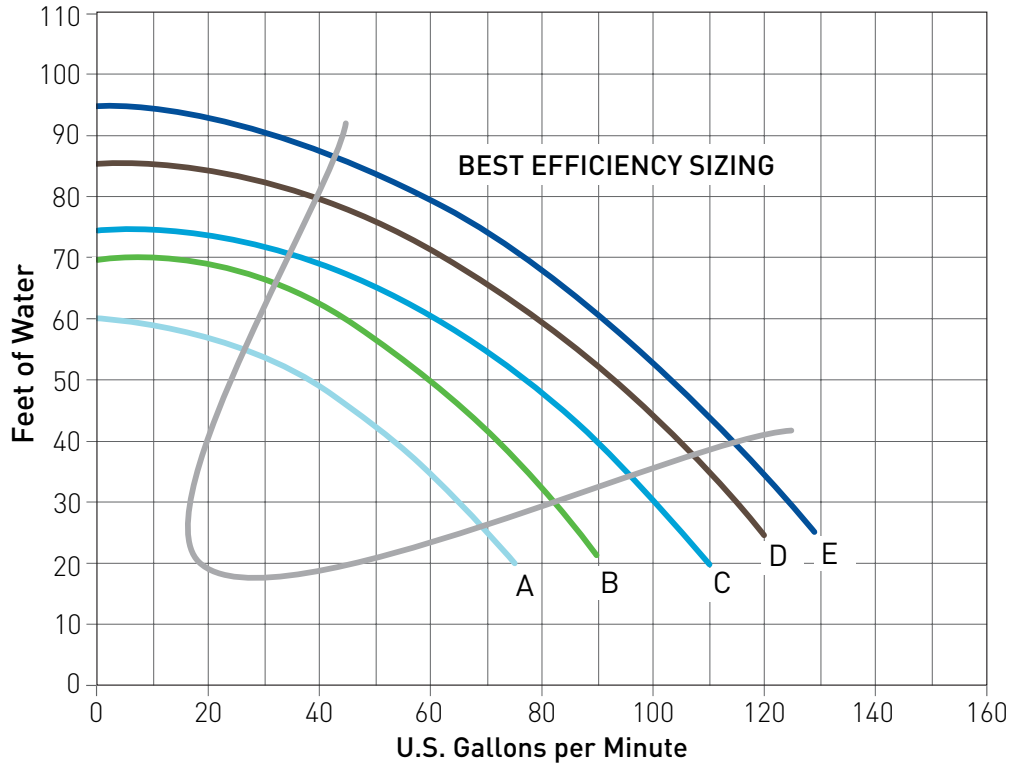
⁵ Product may have been evaluated to other state and local regulatory standards. Listing status may change. Always confirm status with appropriate agency if in doubt.

- **Pumps and replacement motors that are single speed and one (1) Total HP or greater cannot be sold, offered for sale, or installed in a residential pool for filtration use in California, Title 20 CCR sections 1601-1609.**

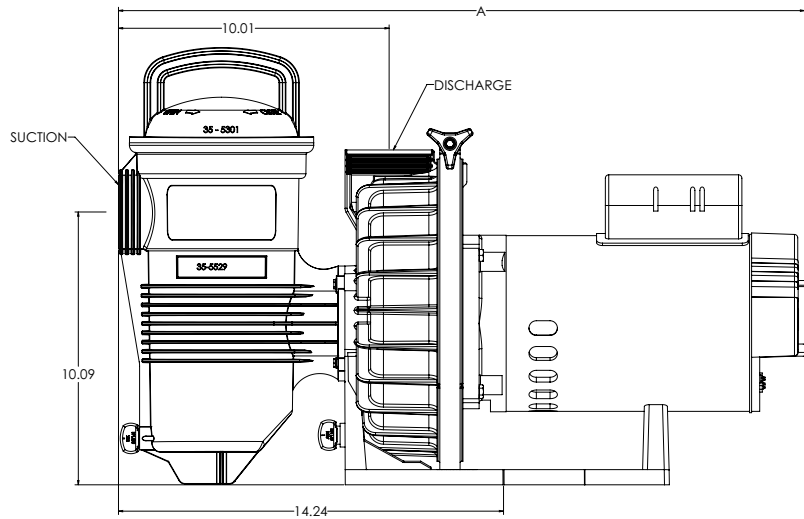
CHALLENGER®

HIGH FLOW PUMPS (CONT'D)

Dimensions and Performance



A- VARYING LENGTH			
HP	STD EFF	EE	1PH TEFC
.5	24.43		
.75	24.43		
1	24.81	25.43	22.54
1.5	26.43	25.93	22.99
2	26.43	26.43	23.44
2.5	26.43		



See page 515–516 for replacement parts.

CHALLENGER®

HIGH PRESSURE PUMPS



Challenger High Pressure Pump

Thermoplastic Pump with Closed Impeller, Single Speed Pump components are custom molded thermoplastic for superior strength and durability.

TEFC Super-Duty Single Speed Models are designated

TRADEGRADE

Product 348154, 348155, 348156, 348157

Featured Highlights

- Standard 2 in. suction and discharge ports for operating efficiency
- Extra-large strainer basket extends time between cleanings
- Transparent strainer pot lid with comfortable handle provides easy access to strainer basket
- Diffuser and impeller provide excellent high pressure performance for all types of demanding installations
- One-bolt stainless steel clamp removes easily to provide quick access for any required service
- Anti-spin-off impeller
- Power end can easily be removed for service or winterizing without disturbing piping or pump support base
- No tool required for removing thumbscrew drain plugs for draining and winterizing
- Internal components and 2 in. ports are designed to provide rapid priming and quiet operation

Ordering Information

Product	Model	Voltage	Full Load Amps	HP	SF	SFHP	Primary Listings and Certifications ⁵	Port Size (NPT)	Carton Wt. (Lbs.)	Curve Key
TEFC SUPER-DUTY SINGLE SPEED										
348154	CHII N1 1FET	115/208-230	15.1/8.5-7.7	1	1.65	1.65	UL ¹ , NSF ²	2 in. x 2 in.	44	I
348155	CHII N1 1-1/2FET	208-230	10.3-9.1	1-1/2	1.47	2.21	UL ¹ , NSF ²	2 in. x 2 in.	48	J
348156	CHII N1 2FET	208-230	11.7-10.3	2	1.3	2.6	UL ¹ , NSF ²	2 in. x 2 in.	51	K
348157	CHII N1 3FET	208-230	14.6-12.7	3	1.15	3.45	UL ¹ , NSF ²	2 in. x 2 in.	55	L
EFFICIENT SINGLE SPEED FULL RATED										
345212	CHII-N1-1/2FE	115/208-230	8.8/4.5-4.4	1/2	1.90	0.95	UL ¹ , NSF ² , APSP ⁴	2 in. x 2 in.	41	G
345213	CHII-N1-3/4FE	115/208-230	12.8/7.0-6.4	3/4	1.67	1.25	UL ¹ , NSF ² , CSA ³	2 in. x 2 in.	43	H
345205	CHII-N1-1FE	115/208-230	14.8/7.8-7.4	1	1.65	1.65	UL ¹ , NSF ²	2 in. x 2 in.	46	I
345206	CHII-N1-1-1/2FE	208-230	9.6-8.8	1-1/2	1.47	2.20	UL ¹ , NSF ²	2 in. x 2 in.	54	J
345208	CHII-N1-2FE	208-230	11.0-10.2	2	1.30	2.60	UL ¹ , NSF ²	2 in. x 2 in.	55	K
345209	CHII-N1-3FE	208-230	15.0-13.6	3	1.15	3.45	UL ¹ , NSF ²	2 in. x 2 in.	56	L
EFFICIENT SINGLE SPEED UP RATED										
346209	CHII N1 2-1/2AE	208-230	11.0-10.2	2-1/2	1.04	2.60	UL ¹	2 in. x 2 in.	55	K
STANDARD SINGLE SPEED FULL RATED										
345202	CHII-N1-1/2F	115/208-230	10.8/5.2-5.4	1/2	1.90	0.95	UL ¹ , NSF ² , CSA ³ , APSP ⁴	2 in. x 2 in.	41	G
345203	CHII-N1-3/4F	115/208-230	13.2/6.2-6.6	3/4	1.67	1.25	UL ¹ , NSF ² , CSA ³	2 in. x 2 in.	41	H
345204	CHII-N1-1F	115/208-230	16.0/7.8-8.0	1	1.65	1.65	UL ¹ , NSF ² , CSA ³	2 in. x 2 in.	41	I
345201	CHII-N1-1-1/2F	115/208-230	21.0/10.0-10.5	1-1/2	1.50	2.25	UL ¹ , NSF ²	2 in. x 2 in.	49	J
345218	CHII-N1-2F	208-230	11.5-11.0	2	1.30	2.60	UL ¹ , NSF ² , CSA ³	2 in. x 2 in.	55	K
345219	CHII-N1-3F	230	14.1	3	1.15	3.45	UL ¹ , NSF ²	2 in. x 2 in.	56	L
STANDARD SINGLE SPEED UP RATED										
346203	CHII-N1-3/4A	115/208-230	10.8/5.2-5.4	3/4	1.25	0.94	UL ¹ , CSA ³ , APSP ⁴	2 in. x 2 in.	41	G
346204	CHII-N1-1A	115/208-230	13.2/6.2-6.6	1	1.25	1.25	UL ¹ , CSA ³	2 in. x 2 in.	41	H
346206	CHII-N1-1-1/2A	115/208-230	16.0/7.8-8.0	1-1/2	1.10	1.65	UL ¹ , CSA ³	2 in. x 2 in.	41	I
346201	CHII-N1-2A	115/208-230	21.0/10.0-10.5	2	1.10	2.20	UL ¹ , CSA ³	2 in. x 2 in.	49	J
346249	CHII-N1-2-1/2A	208-230	11.5-11.0	2-1/2	1.04	2.60	UL ¹	2 in. x 2 in.	55	K

¹ 'UL' indicates that pump bears a specific UL mark signifying evaluation to U.S. Standards UL1081 for Permanently Connected Swimming Pool and Spa Pumps and to Canadian Standards CAN/CSA C22.2 No. 108-01 Liquid Pumps For Swimming Pools And Spas. (Enclosure 3).

² 'NSF' indicates that pump bears a mark signifying evaluation to NSF Standard 50 For Self-Priming Centrifugal Pumps For Swimming Pools, Spas and Hot Tubs.

³ 'CSA' indicates that pump bears a CSA mark signifying evaluation to Canadian Standards CAN/CSA C22.2 No. 108-01 Liquid Pumps For Swimming Pools And Spas. (Enclosure 3).

⁴ 'APSP' Pump has been evaluated to ANSI/APSP/ICC-15 and California Title 20 and is certified to use on Residential Swimming Pool Filtration Systems.

⁵ Product may have been evaluated to other state and local regulatory standards. Listing status may change. Always confirm status with appropriate agency if in doubt.

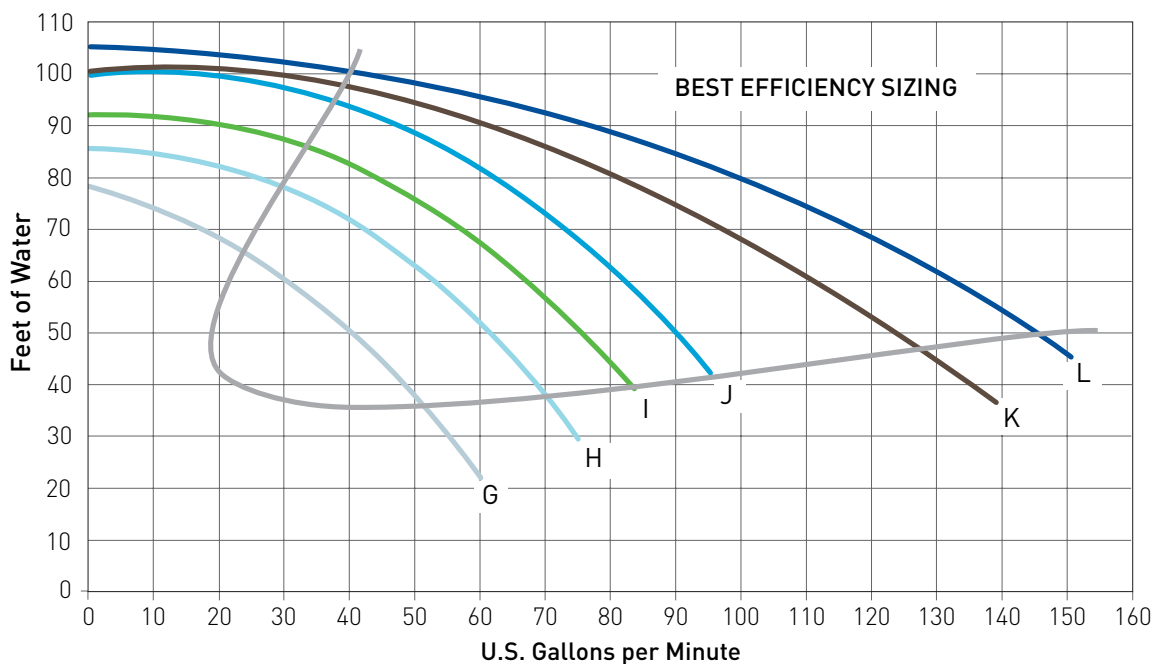
• **Pumps and replacement motors that are single speed and one (1) Total HP or greater cannot be sold, offered for sale, or installed in a residential pool for filtration use in California, Title 20 CCR sections 1601-1609.**

CHALLENGER®

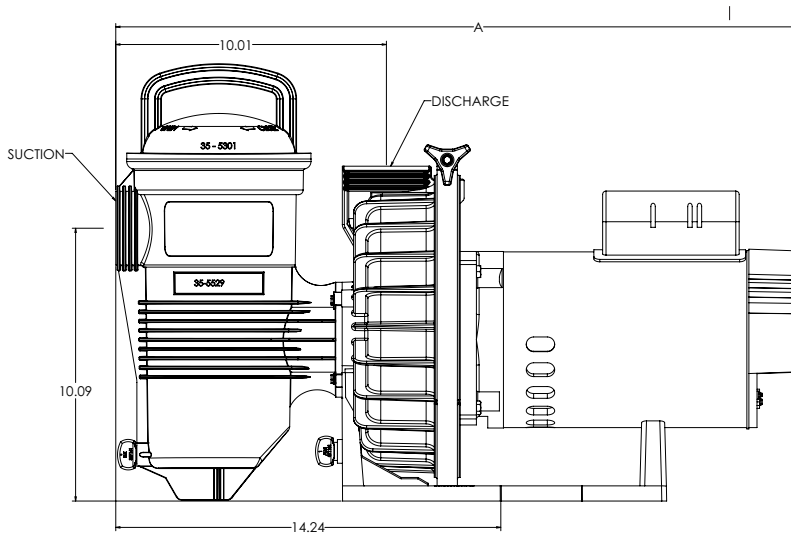
HIGH PRESSURE PUMPS (CONT'D)

Product	Model	Voltage	Full Load Amps	HP	SF	SFHP	Primary Listings and Certifications ⁴	Port Size (NPT)	Carton Wt. (Lbs.)	Curve Key
THREE-PHASE SUPER-DUTY										
345302	CHII-N1-1FE 3PH	208-230/460	4.9-4.5/2.3	1	1.65	1.65	NSF ²	2 in. x 2 in.	41	I
345303	CHII-N1-1-1/2FE 3PH	208-230/460	6.4-6.3/3.2	1-1/2	1.47	2.21	NSF ²	2 in. x 2 in.	43	J
345304	CHII-N1-2FE 3PH	208-230/460	7.5-7.2/3.6	2	1.30	2.60	NSF ²	2 in. x 2 in.	46	K
345305	CHII-N1-3FE 3PH	208-230/460	9.8-9.4/4.7	3	1.15	3.45	NSF ²	2 in. x 2 in.	49	L
ACCESSORIES										
354112	Chemical Resistant Lid								1	
UNIONS										
11201-0154	2 in. x 2 in. Union (2 in. NPT male x 2 in. female NPT quick connect) *Note: two required per pump (sold individually)									

Dimensions and Performance



A- VARYING LENGTH				
HP	STD EFF	EE	1PH TEFC	3PH
.5	24.43	25.18		
.75	24.43	25.18		
1	24.81	25.43	21.71	22.27
1.5	26.43	25.93	22.16	22.27
2	26.43	26.43	22.51	22.68
2.5	26.43	26.43		
3.0	26.43	26.43	23.21	23.38



CALIFORNIA PROPOSITION 65 WARNING
 ⚠️ **WARNING:** Cancer and Reproductive Harm.
 ⚠️ **AVERTISSEMENT:** Peut Causer le Cancer et des Dommages au Système Reproducteur.
 ⚠️ **ADVERTENCIA:** Cáncer y Daño Reproductivo.
www.p65warnings.ca.gov

See page 517-518 for replacement parts.

WATERFALL SPECIALTY PUMPS



WaterFall Specialty Pump

With Closed Impeller, Single-Speed. Custom designed for the specific demands of water features such as fountains, waterfalls, and other special pool features.

Featured Highlights

- Designed for low head applications that require 35–180 GPM's
- Pump components are custom molded of thermoplastic for superior strength, durability, and quiet operation
- Standard 2 in. suction and discharge ports for operating efficiency
- Extra-large strainer basket extends time between cleanings
- Transparent strainer pot lid with comfortable handle provides easy access to strainer basket

CALIFORNIA PROPOSITION 65 WARNING

⚠ **WARNING:** Cancer and Reproductive Harm.
 ⚠ **AVERTISSEMENT:** Peut Causer le Cancer et des Dommages au Système Reproducteur.
 ⚠ **ADVERTENCIA:** Cáncer y Daño Reproductivo.
www.p65warnings.ca.gov

Ordering Information

Product	Model	Voltage	Full Load Amps	Primary Listings and Certifications ²	Port Size (NPT)	Carton Wt. (Lbs.)	Curve Key
EFFICIENT SINGLE SPEED WITH STRAINER							
340350	AFP-75	115/230	9.6/4.8	UL ^{1,2}	2 in. x 2 in.	40	A
340351	AFP-120	115/230	9.6/4.8	UL ^{1,2}	2 in. x 2 in.	40	B
340352	AFP-150	115/230	12.0/6.0	UL ^{1,2}	2 in. x 2 in.	43	D
EFFICIENT SINGLE SPEED WITHOUT STRAINER							
340300 ³	AF-75 ³	115/230	9.6/4.8	UL ^{1,2}	2 in. x 2 in.	37	A
340301 ³	AF-120 ³	115/230	9.6/4.8	UL ^{1,2}	2 in. x 2 in.	37	C
340302 ³	AF-180 ³	115/230	12.0/6.0	UL ^{1,2}	2 in. x 2 in.	40	E

¹ 'UL' indicates that pump bears a specific UL mark signifying evaluation to U.S. Standards UL1081 for Permanently Connected Swimming Pool and Spa Pumps and to Canadian Standards CAN/CSA C22.2 No. 108-01 Liquid Pumps For Swimming Pools And Spas. (Enclosure 3).

² Product may have been evaluated to other state and local regulatory standards. Listing status may change. Always confirm status with appropriate agency if in doubt.

³ Flooded suction models do not contain priming/strainer pot.

• **Pumps and replacement motors that are single speed and one (1) Total HP or greater cannot be sold, offered for sale, or installed in a residential pool for filtration use in California, Title 20 CCR sections 1601-1609.**

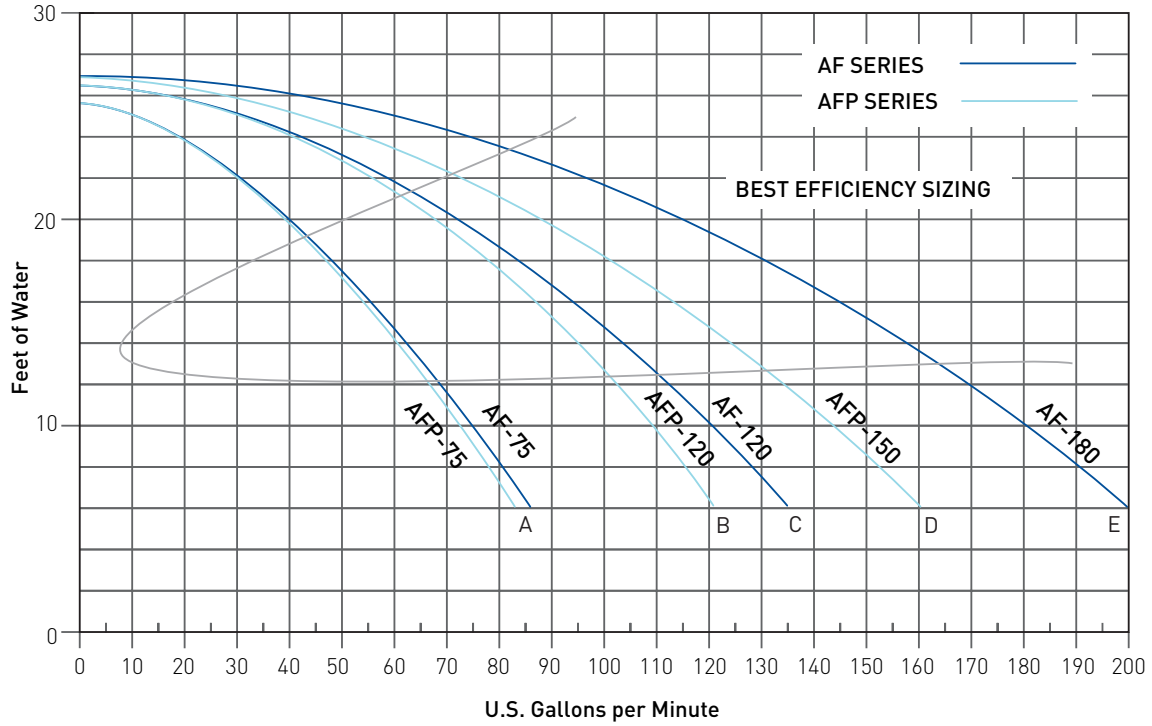


WaterFall Pump w/o Strainer
AF-75, 120, 180

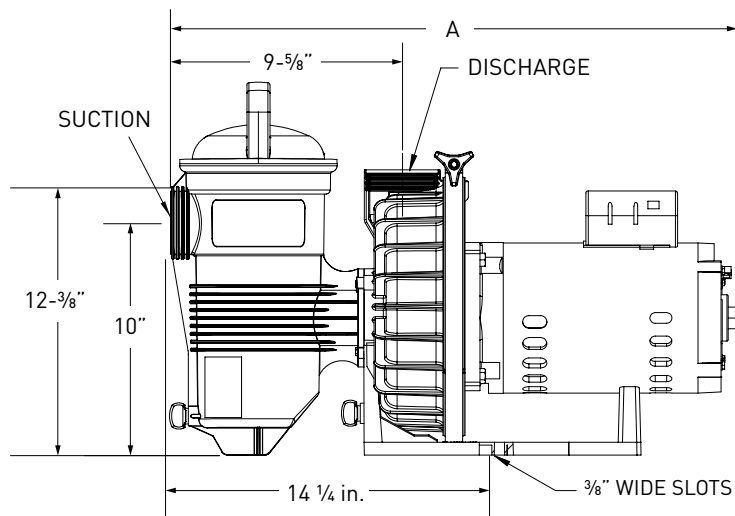
WATERFALL

SPECIALTY PUMPS (CONT'D)

Dimensions and Performance



FOR MODELS AFP 75, 120 & 150



"A" dimension varies from 23" to 24" depending upon model.
Suction and discharge connections are 2" NPT.

See page 553 for replacement parts.

SUPERFLO® VS VARIABLE SPEED PUMPS



SuperFlo VS Variable Speed Pump



The SuperFlo VS Variable Speed Pumps bring the remarkable energy cost savings of variable speed technology to standard pools at an affordable price. They reduce energy costs by up to 80%. SuperFlo VS Variable Speed Pumps have an easy-to-read graphical display and a built-in timer so the pumps are easy to install and easy to use.

Featured Highlights

- Variable speed technology costs significantly less to operate
- Ideal for standard pools requiring up to 1.5 hp pump
- 110/230V and 50/60 Hz capability
- Real-time clock with 24-hour memory retention
- Simple, intuitive user interface is easy to program and operate
- Easy to access electrical connections for simple installation
- Three operating speed settings plus override capability
- SuperFlo pump by Pentair Aquatic Systems is a direct replacement for the Hayward® Super Pump® *
- 115-volt: WEF [7.3](#) THP [2.2](#)
- 230-volt: WEF [6.6](#) THP [2.2](#)

CALIFORNIA PROPOSITION 65 WARNING
 ⚠️ **WARNING:** Cancer and Reproductive Harm.
 ⚠️ **AVERTISSEMENT:** Peut Causer le Cancer et des Dommages au Système Reproducteur.
 ⚠️ **ADVERTENCIA:** Cáncer y Daño Reproductivo.
www.p65warnings.ca.gov PR20171A

Ordering Information

Product	Model	Voltage	Full Load Amps	HP	SF	SFHP	Primary Listings and Certifications ⁴	Port Size (NPT)	Carton Wt. (Lbs.)
SUPERFLO VS VARIABLE SPEED									
342001	SuperFlo VS Variable Speed	115/208-230	13.2/12.0-11.5	1.5	1.46	2.2	UL ¹ , NSF ² , APSP ³	1-1/2 in.	53
ACCESSORIES									
353129Z	External Control Wiring Kit								

¹ 'UL' indicates that pump bears a UL mark signifying evaluation to U.S. Standards UL1081 for Permanently Connected Swimming Pool and Spa Pumps and to Canadian Standards CAN/CSA C22.2 No. 108-01 Liquid Pumps For Swimming Pools Only (Enclosure 3). UL 60730 Compliant.

² 'NSF' indicates that pump bears a mark signifying evaluation to NSF Standard 50 For Self-Priming Centrifugal Pumps For Swimming Pools Only.

³ 'APSP' Pump has been evaluated to ANSI/APSP/ICC-15 and California Title 20 and is certified to use on Residential Swimming Pool Filtration Systems.

⁴ Product may have been evaluated to other state and local regulatory standards. Listing status may change. Always confirm status with appropriate agency if in doubt.

• Savings based on variable speed pump compared to a single-speed pump running 12 hours per day at an average of \$0.16 per kWh in a 20,000 gallon pool. Actual savings may vary based on local utility rates, pool size, pump run time, pump horsepower, pump rpm, plumbing size and length, pump model, service factor and other hydraulic factors.

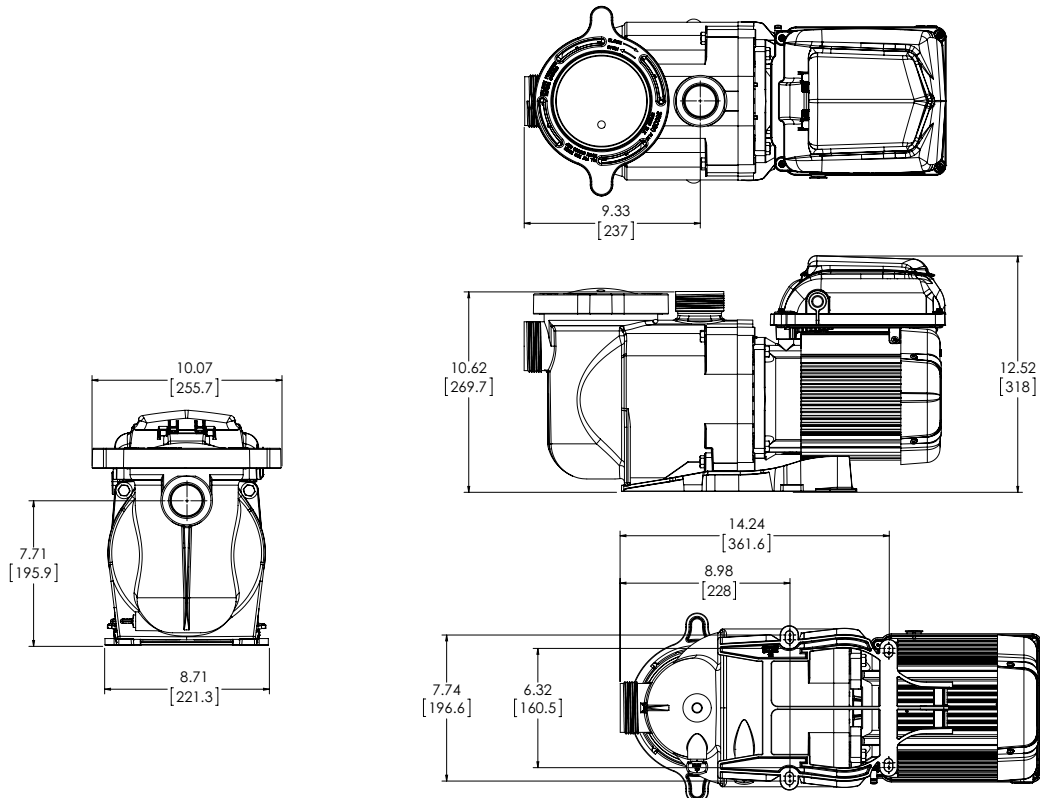
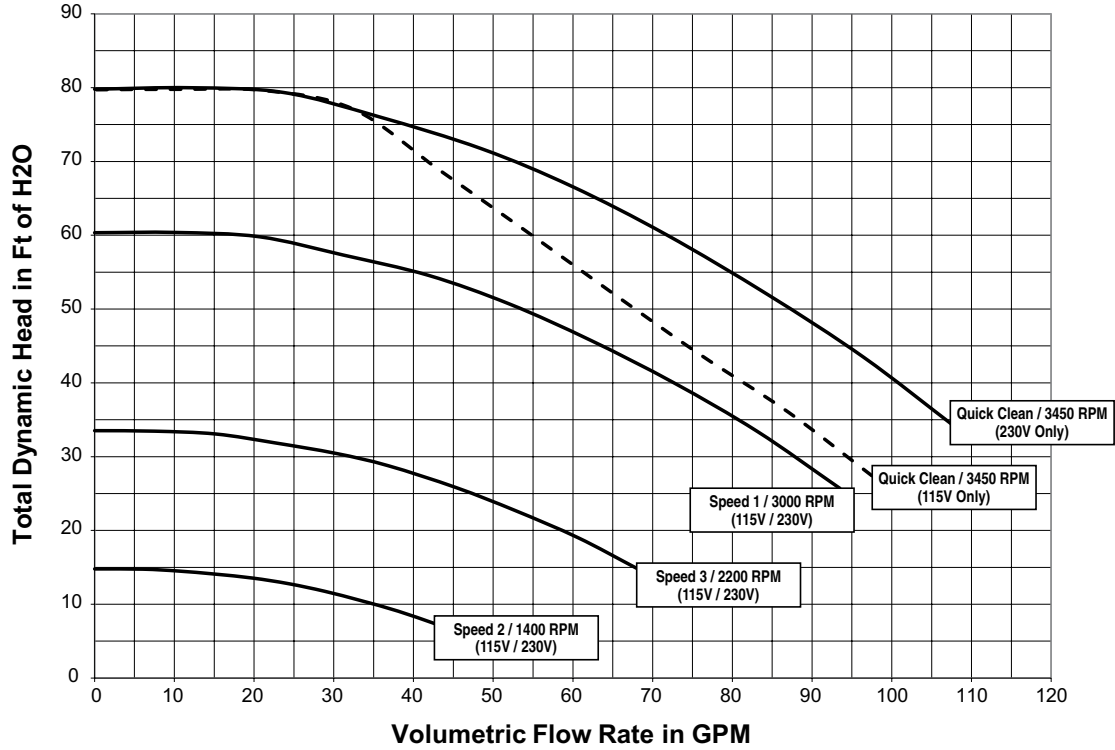
* Hayward® and Super Pump® are registered trademarks of Hayward Industries, Inc.

SUPERFLO® VS

VARIABLE SPEED PUMPS (CONT'D)

Dimensions and Performance

SuperFlo VS Performance Curves for Preset Speeds



See page 519 for replacement parts.

SUPERFLO®

HIGH PERFORMANCE PUMPS



SuperFlo Pump

SuperFlo pumps feature thick walled body parts, a heavy-duty 56 square flange motor, and highly engineered hydraulics. SuperFlo pumps' silent running capability and small footprint allow it to easily drop into a compact equipment pad.



Featured Highlights

- SuperFlo pump by Pentair Aquatic Systems is a direct replacement for the Hayward® Super Pump® *
- Extremely quiet operation
- Unionized fittings included (1-1/2 in. internal slip and 2 in. external slip)
- Cam and Ramp™ Lid
- Heavy-duty, high service factor 56 square flange motor
- Integral volute and pot reduce hydraulic noise

TEFC Super-Duty Single Speed Models are designated

TRADEGRADE

Product 348144, 348145, 348146

Ordering Information

Product	Model	Voltage	Full Load Amps	HP	SF	SFHP	Primary Listings and Certifications ⁴	Port Size (NPT)	Carton Wt. (Lbs.)	Curve Key
TEFC SUPER-DUTY SINGLE SPEED										
348144	SF N1 1FET	115/208-230	15.1/8.5-7.7	1	1.65	1.65	UL ¹ , NSF ²	1.5 in. x 1.5 in.	41	H
348145	SF N1 1-1/2FET	208-230	10.3-9.1	1-1/2	1.47	2.21	UL ¹ , NSF ²	1.5 in. x 1.5 in.	45	I
348146	SF N1 2FET	208-230	11.7-10.3	2	1.3	2.6	UL ¹ , NSF ²	1.5 in. x 1.5 in.	48	J
EFFICIENT SINGLE SPEED										
348021	SF-N1-1/2FE	115/208-230	8.8/4.5-4.4	1/2	1.90	0.95	UL ¹ , NSF ² , APSP ³	1.5 in. x 1.5 in.	38	E
348022	SF-N1-3/4FE	115/208-230	8.8/4.5-4.4	3/4	1.30	0.95	UL ¹ , NSF ²	1.5 in. x 1.5 in.	38	F
348023	SF-N1-1AE	115/208-230	12.8/7.0-6.4	1	1.25	1.25	UL ¹ , NSF ²	1.5 in. x 1.5 in.	38	G
348024	SF-N1-1-1/2AE	115/208-230	14.8/7.8-7.4	1-1/2	1.10	1.65	UL ¹ , NSF ²	1.5 in. x 1.5 in.	40	H
348025	SF-N1-2AE	208-230	9.6-8.8	2	1.10	2.20	UL ¹ , NSF ²	1.5 in. x 1.5 in.	48	I
348026	SF-N1-2-1/2AE	208-230	11.0-10.2	2-1/2	1.04	2.60	UL ¹ , NSF ²	1.5 in. x 1.5 in.	54	J
STANDARD SINGLE SPEED										
340036	SF-N1-1/2F	115/208-230	10.8/5.2-5.4	1/2	1.95	0.95	UL ¹ , NSF ² , APSP ³	1.5 in. x 1.5 in.	38	E
340037	SF-N1-3/4A	115/208-230	10.8/5.2-5.4	3/4	1.25	0.93	UL ¹ , NSF ²	1.5 in. x 1.5 in.	38	F
340038	SF-N1-1A	115/208-230	13.2/6.2-6.6	1	1.25	1.25	UL ¹ , NSF ²	1.5 in. x 1.5 in.	38	G
340039	SF-N1-1-1/2A	115/208-230	16.0/7.8-8.0	1.5	1.10	1.65	UL ¹ , NSF ²	1.5 in. x 1.5 in.	40	H
340040	SF-N1-2A	115/208-230	21.0/10.0-10.5	2	1.10	2.20	UL ¹ , NSF ²	1.5 in. x 1.5 in.	48	I
340041	SF-N1-2-1/2A	208-230	11.5-11.0	2-1/2	1.04	2.60	UL ¹ , NSF ²	1.5 in. x 1.5 in.	54	J
EFFICIENT TWO SPEED 3450 RPM, LOW SPEED 1725 RPM										
341111	SF-N2-3/4A	115	14.6/4.7	3/4	1.67	1.25	UL ¹ , NSF ² , APSP ³	1.5 in. x 1.5 in.	39	A, F
340042	SF-N2-1A	230	6.0/2.3	1	1.25	1.25	UL ¹ , NSF ² , APSP ³	1.5 in. x 1.5 in.	39	B, G
340043	SF-N2-1-1/2A	230	7.8/3.0	1-1/2	1.10	1.65	UL ¹ , NSF ² , APSP ³	1.5 in. x 1.5 in.	41	C, H
340044	SF-N2-2A	230	10.0/3.5	2	1.10	2.20	UL ¹ , NSF ² , APSP ³	1.5 in. x 1.5 in.	49	D, I
EFFICIENT SINGLE PHASE - 50HZ INPUT POWER FREQUENCY										
340098	SF-N1-1/2	240/120	7.5/15.0	1/2	1.1	0.55		1.5 in. x 1.5 in.	38	
340094	SF-N1-1-3/4	240/120	7.5/15.0	3/4	1.1	0.82		1.5 in. x 1.5 in.	40	
340095	SF-N1-1	240/120	6.9/13.8	1	1.1	1.10		1.5 in. x 1.5 in.	38	
340096	SF-N1-1-1/2	240	7.2	1-1/2	1.1	1.65		1.5 in. x 1.5 in.	40	
340097	SF-N1-2	240	9.4	2	1.1	2.20		1.5 in. x 1.5 in.	48	
ACCESSORIES										
350157	Union Kit – 1-1/2 in. Internal Slip x 2 in. External Slip (includes 2 unions as pictured above)									

¹ 'UL' indicates that pump bears a UL mark signifying evaluation to U.S. Standards UL1081 for Permanently Connected Swimming Pool and Spa Pumps and to Canadian Standards CAN/CSA C22.2 No. 108-01 Liquid Pumps For Swimming Pools Only (Enclosure 3).

² 'NSF' indicates that pump bears a mark signifying evaluation to NSF Standard 50 For Self-Priming Centrifugal Pumps For Swimming Pools Only.

³ 'APSP' Pump has been evaluated to ANSI/APSP/ICC-15 and California Title 20 and is certified to use on Residential Swimming Pool Filtration Systems.

⁴ Product may have been evaluated to other state and local regulatory standards. Listing status may change. Always confirm status with appropriate agency if in doubt.

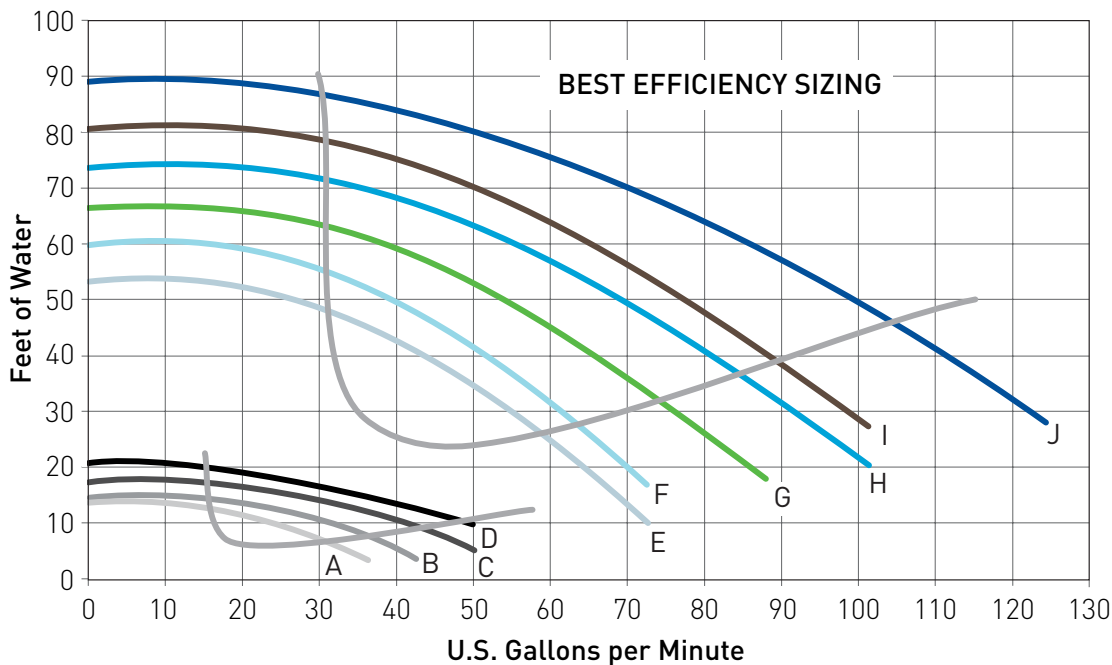
• Pumps and replacement motors that are single speed and one (1) Total HP or greater cannot be sold, offered for sale, or installed in a residential pool for filtration use in California, Title 20 CCR sections 1601-1609.

* Hayward® and Super Pump® are registered trademarks of Hayward Industries, Inc.

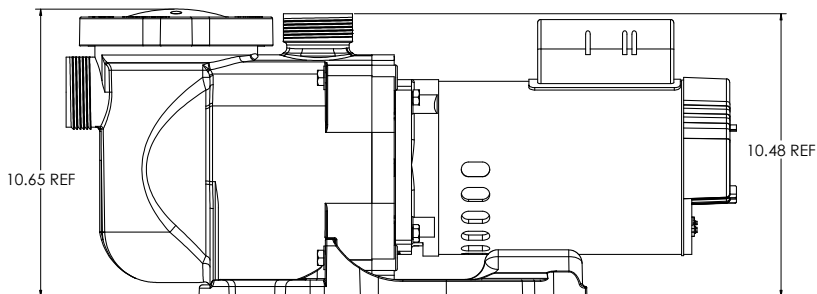
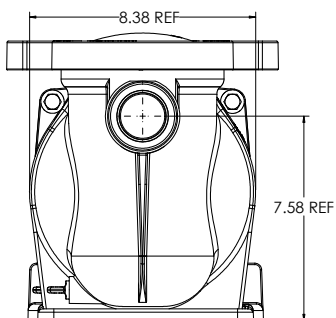
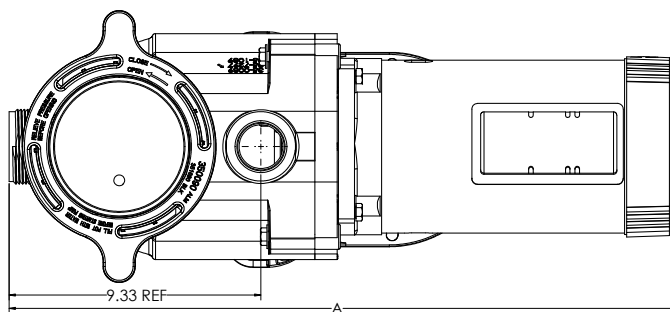
SUPERFLO®

HIGH PERFORMANCE PUMPS (CONT'D)

Dimensions and Performance



A- VARYING LENGTH			
HP	STD EFF	EE	1PH TEFC
.5	23.89	24.64	
.75	23.89	24.64	
1	23.89	24.64	22.00
1.5	24.27	24.89	22.45
2	25.89	25.39	22.90
2.5	25.89	25.89	



CALIFORNIA PROPOSITION 65 WARNING

⚠ **WARNING:** Cancer and Reproductive Harm.
 ⚠ **AVERTISSEMENT:** Peut Causer le Cancer et des Dommages au Système Reproducteur.
 ⚠ **ADVERTENCIA:** Cáncer y Daño Reproductivo.

www.p65warnings.ca.gov

See page 520-521 for replacement parts.

INTELLIPROXF[®] VSF

HIGH PERFORMANCE PUMP



TRADEGRADE



IntelliProXF VSF Pump



Featured Highlights

- Eight programmable speed or flow settings and built-in timer
- Rotatable keypad with optional wall mount kit (sold separately)
- Top-mounted field wiring compartment is easier to access and connect
- Totally enclosed fan-cooled design keeps motor shielded from the elements for extended life
- Menus are easier than ever to use
- Union connectors included for connecting directly to 2.5" or 3" plumbing
- Precisely maintains system flow requirements
- Compatible with Pentair Automation
- WEF 5.6 THP 3.95

This product may be protected by one or more of the following US Patents and all corresponding foreign counterparts: 7,686,587; 7,854,597; 8,043,070; 8,469,675; 8,573,952; D568,340; D606,562; D611,430

IntelliProXF VSF pump is the first variable speed and flow pump that adjusts to changes in flow system conditions to maintain its programmed flow rate. With its available performance and efficiency, it is perfectly suited for large and feature rich pools with high flow demand.

CALIFORNIA PROPOSITION 65 WARNING

⚠ **WARNING:** Cancer and Reproductive Harm.
 ⚠ **AVERTISSEMENT:** Peut Causer le Cancer et des Dommages au Système Reproducteur.
 ⚠ **ADVERTENCIA:** Cáncer y Daño Reproductivo.

www.p65warnings.ca.gov PK201714

Ordering Information

Product	Model	Voltage	Full Load Amps	kW	HP	SF	SFHP	FREQ.	Primary Listings and Certifications ⁴	Port Size (NPT)	Carton Wt. (Lbs.)
INTELLIPROXF VSF VARIABLE SPEED AND FLOW PUMP											
023056	IntelliProXF VSF	230	16	3.2	3	1.32	3.95	50HZ/60HZ	UL ¹ , NSF ² , APSP ³	2.5 in. x 2.5 in. OR 3 in. X 3in.	58
ACCESSORIES											
400012	XF Riser Base - Simplifies installation of XF-series pumps in applications where Challenger pumps are being replaced.										
521109	IntelliCom 2 - Rated 9 - 30 V DC with 4 inputs										1
350122	Communication Cable - 50 ft. - Included with pump										2
356905Z	Keypad Relocation Kit										1

¹ 'UL' indicates that pump bears a UL mark signifying evaluation to U.S. Standards UL1081 for Permanently Connected Swimming Pool and Spa Pumps and to Canadian Standards CAN/CSA C22.2 No. 108-01 Liquid Pumps For Swimming Pools Only (Enclosure 3).

² 'NSF' indicates that pump bears a mark signifying evaluation to NSF Standard 50 For Self-Priming Centrifugal Pumps For Swimming Pools Only.

³ 'APSP' Pump has been evaluated to ANSI/APSP/ICC-15 and California Title 20 and is certified to use on Residential Swimming Pool Filtration Systems.

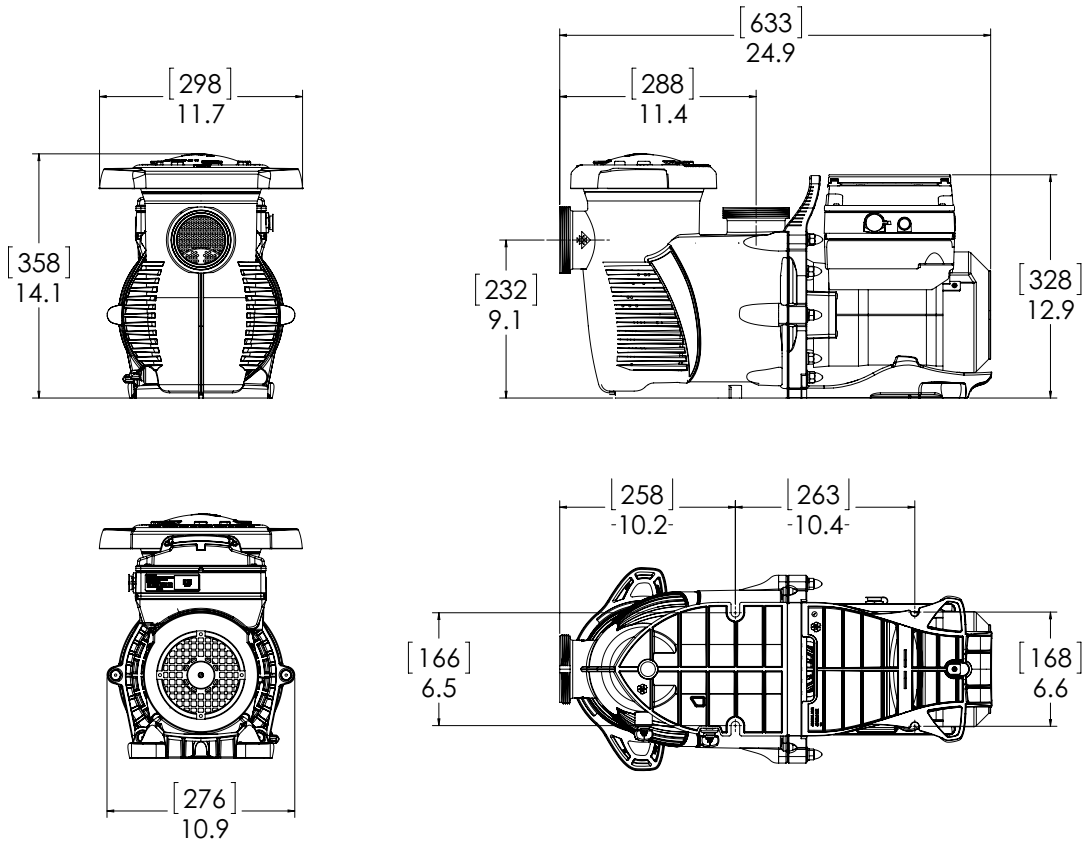
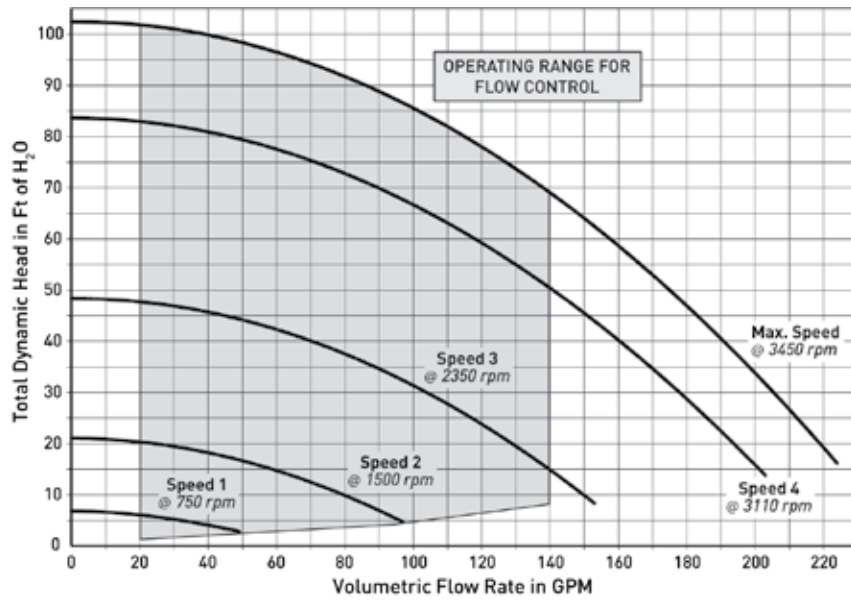
⁴ Product may have been evaluated to other state and local regulatory standards. Listing status may change. Always confirm status with appropriate agency if in doubt.

Refer to catalog page 50 for a selection of 2-Pole GFCI breakers which offer 6 milliamp personnel protection while meeting 2008 to current NEC Standards for Pool Pumps.

INTELLIPROXF[®] VSF

HIGH PERFORMANCE PUMP (CONT'D)

Dimensions and Performance*



See page 522 for replacement parts.

INTELLIPROXF[®] VARIABLE SPEED

HIGH PERFORMANCE PUMP



IntelliProXF
Variable Speed Pump



Featured Highlights

- Hydraulic isolator separates priming water from pumping water for faster priming and more turbulence-free flow for increased efficiency
- TEFC design keeps motor shielded from the elements for extended life
- Eight speed settings and on-board scheduling with timers
- LCD screen with rotatable keypad for easy programming
- Union connectors are included - connecting directly to 2.5 in. or 3 in. plumbing
- Drop in replacement for WhisperFlo[®] Pool Pump models; and optional riser base enables easy Challenger[®] Pump replacement
- Operates seamlessly on 50 hz or 60 hz input power.
- WEF 5.6 THP 3.95

This product may be protected by one or more of the following US Patents and all corresponding foreign counterparts: D611,430; 7,686,587; 7,854,597; D606,562; 8,043,070; 8,469,675; 8,573,952

IntelliProXF Variable Speed Pump combines the superior internal geometry of the Pentair new generation XF pumps to create an energy efficient, economical, powerful, quiet and dependable pump.

CALIFORNIA PROPOSITION 65 WARNING

⚠ **WARNING:** Cancer and Reproductive Harm.
 ⚠ **AVERTISSEMENT:** Peut Causer le Cancer et des Dommages au Système Reproducteur.
 ⚠ **ADVERTENCIA:** Cáncer y Daño Reproductivo.
www.p65warnings.ca.gov PH202104

Ordering Information

Product	Model	Voltage	Full Load Amps	kW	HP	SF	SFHP	FREQ.	Primary Listings and Certifications ⁴	Port Size (NPT)	Carton Wt. (Lbs.)
INTELLIPROXF VARIABLE SPEED PUMP											
023055	IntelliProXF	230	16	3.2	3	1.32	3.95	50HZ/60HZ	UL ¹ , NSF ² , APSP ³	2.5 in. x 2.5 in. OR 3 in. X 3in.	58
ACCESSORIES											
400012	XF Riser Base - Simplifies installation of XF-series pumps in applications where Challenger pumps are being replaced.										
521109	IntelliCom 2 - Rated 9 - 30 V DC with 4 inputs										1
350122	Communication Cable - 50 ft. - Included with pump										2
356905Z	Keypad Relocation Kit										1

¹ 'UL' indicates that pump bears a UL mark signifying evaluation to U.S. Standards UL1081 for Permanently Connected Swimming Pool and Spa Pumps and to Canadian Standards CAN/CSA C22.2 No. 108-01 Liquid Pumps For Swimming Pools Only (Enclosure 3).

² 'NSF' indicates that pump bears a mark signifying evaluation to NSF Standard 50 For Self-Priming Centrifugal Pumps For Swimming Pools Only.

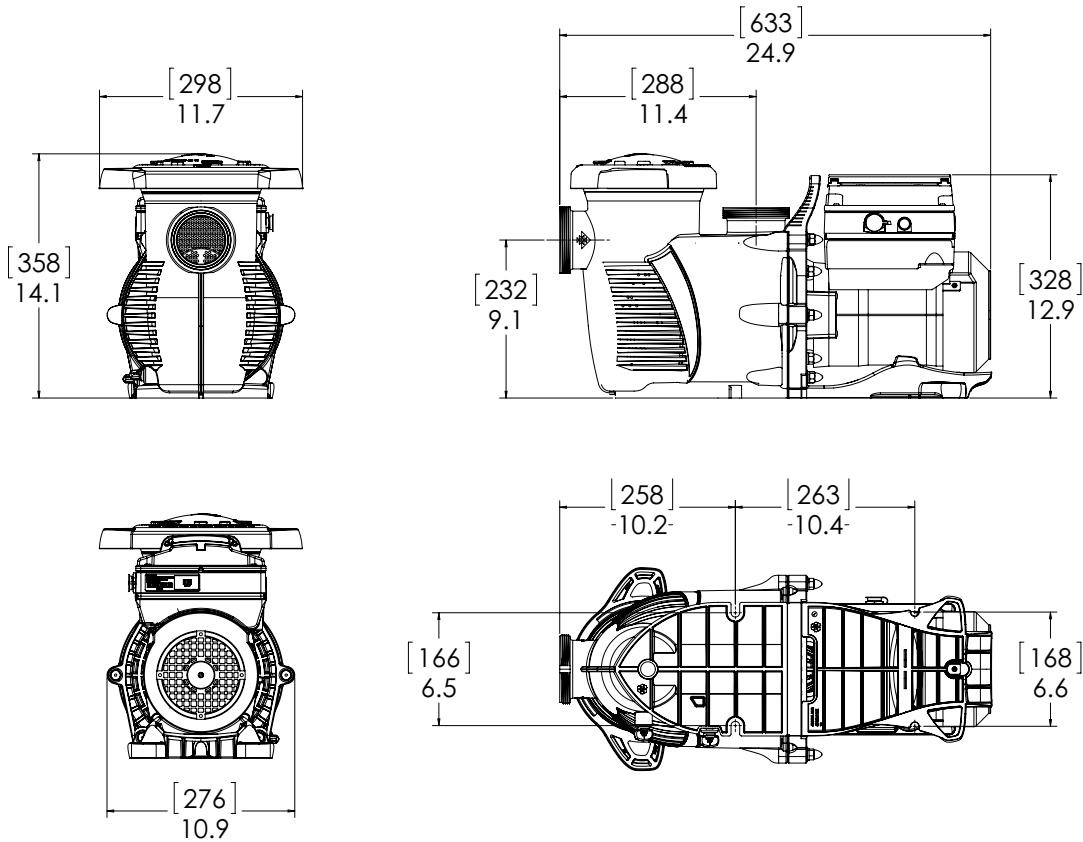
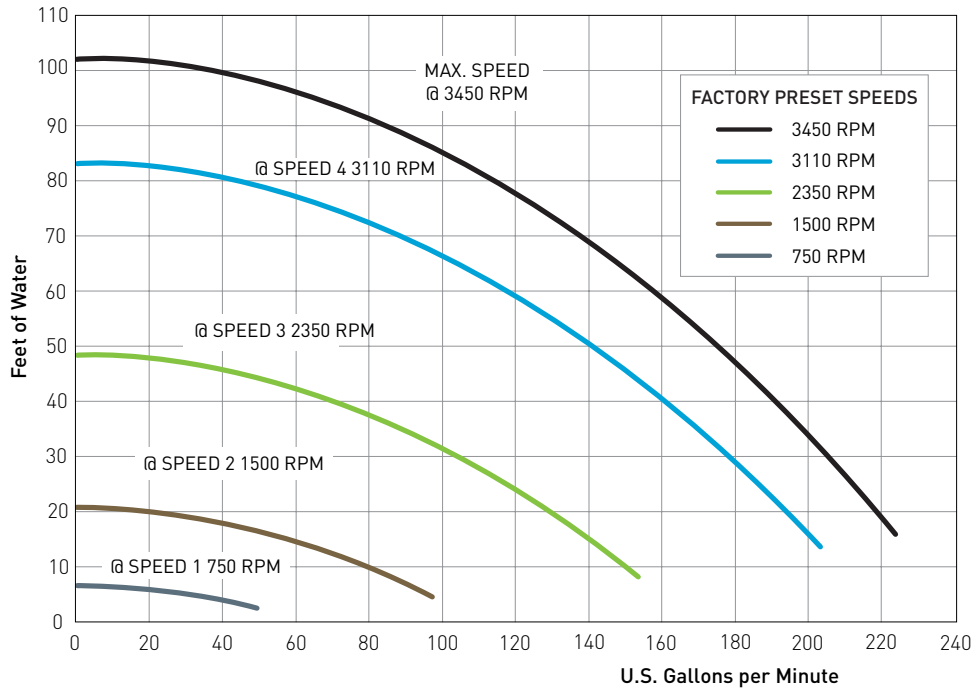
³ 'APSP' Pump has been evaluated to ANSI/APSP/ICC-15 and California Title 20 and is certified to use on Residential Swimming Pool Filtration Systems.

⁴ Product may have been evaluated to other state and local regulatory standards. Listing status may change. Always confirm status with appropriate agency if in doubt.

Refer to catalog page 50 for a selection of 2-Pole GFCI breakers which offer 6 milliamp personnel protection while meeting 2008 to current NEC Standards for Pool Pumps.

INTELLIPROXF[®] VARIABLE SPEED HIGH PERFORMANCE PUMP (CONT'D)

Dimensions and Performance*



See page 522 for replacement parts.

INTELLIPRO® VSF

HIGH PERFORMANCE PUMP



TRADEGRADE



IntelliPro VSF Pump



Featured Highlights

- Eight programmable speed or flow settings and built-in timer
- Rotatable keypad with optional wall mount kit (sold separately)
- Top-mounted field wiring compartment is easier to access and connect
- Totally enclosed fan-cooled design for increased performance and long life
- Menus are easier than ever to use
- Precisely maintains system flow requirements
- Compatible with Pentair Automation
- WEF 6.6 THP 3.95

This product may be protected by one or more of the following US Patents and all corresponding foreign counterparts. 7,686,587; 7,854,597; 8,043,070; 8,469,675; 8,573,952; D568,340; D606,562; D611,430

IntelliPro VSF pump is the first variable speed and flow pump that adjusts to changes in flow conditions to maintain its preprogrammed flow rate to run optimally throughout the entire filtration cycle. It's like having cruise control for your pump.

CALIFORNIA PROPOSITION 65 WARNING

⚠️ **WARNING:** Cancer and Reproductive Harm.
 ⚠️ **AVERTISSEMENT:** Peut Causer le Cancer et des Dommages au Système Reproducteur.
 ⚠️ **ADVERTENCIA:** Cáncer y Daño Reproductivo.
www.p65warnings.ca.gov PA 200704

Ordering Information

Product	Description	Voltage	Full Load Amps	kW	HP	SF	SFHP	FREQ.	Primary Listings and Certifications ⁴	Port Size (NPT)	Carton Wt. (Lbs.)
INTELLIPRO VSF VARIABLE SPEED AND FLOW PUMP											
013004	IntelliPro VSF	230	16	3.2	3	1.32	3.95	50Hz/60Hz	UL ¹ , NSF ² , APSP ³	2 in. x 2 in.	57
ACCESSORIES											
521109	IntelliCom 2 - Rated 9 - 30 V DC with 4 inputs										1
350122	Communication Cable - 50 ft. - Included with pump										2
356905Z	Keypad Relocation Kit										2

¹ 'UL' indicates that pump bears a specific UL mark signifying evaluation to U.S. Standards UL1081 for Permanently Connected

Swimming Pool and Spa Pumps and to Canadian Standards CAN/CSA C22.2 No. 108-01 Liquid Pumps For Swimming Pools Only (Enclosure 3).

² 'NSF' indicates that pump bears a mark signifying evaluation to NSF Standard 50 For Self-Priming Centrifugal Pumps For Swimming Pools Only.

³ 'APSP' Pump has been evaluated to ANSI/APSP/ICC-15 and California Title 20 and is certified to use on Residential Swimming Pool Filtration Systems.

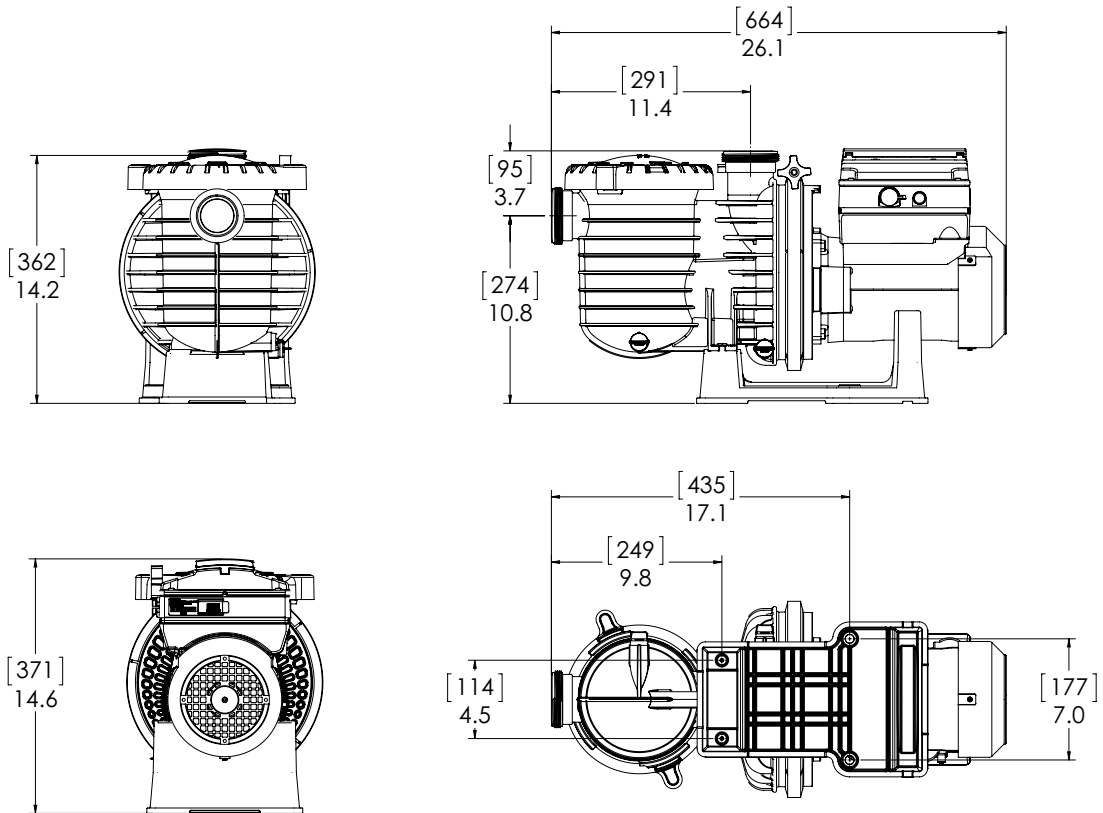
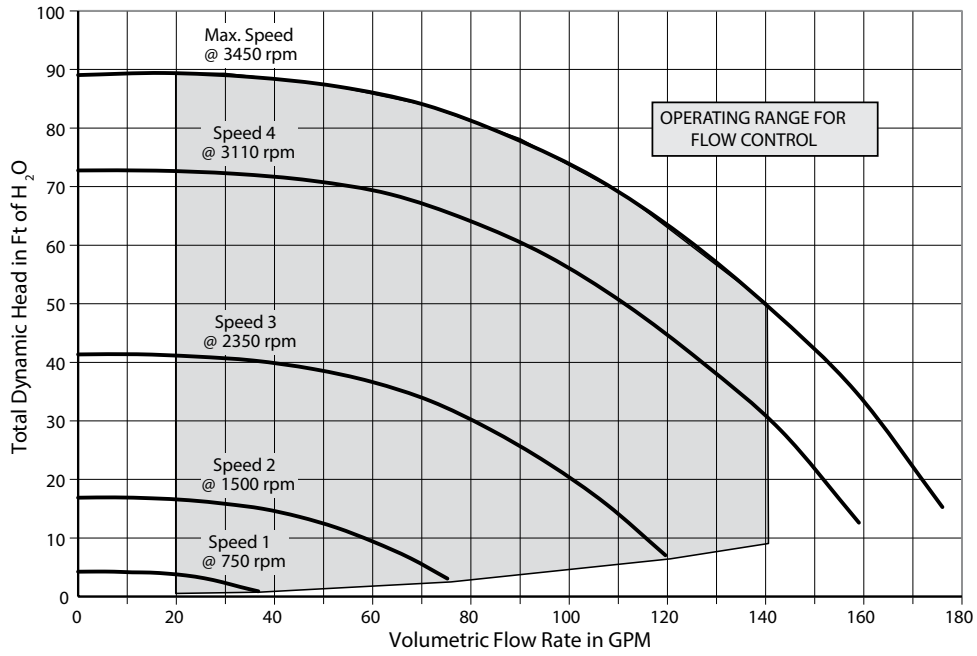
⁴ Product may have been evaluated to other state and local regulatory standards. Listing status may change. Always confirm status with appropriate agency if in doubt.

Refer to catalog page 50 for a selection of 2-Pole GFCI breakers which offer 6 milliamp personnel protection while meeting NEC 2008 Standards for Pool Pumps.

INTELLIPRO® VSF

HIGH PERFORMANCE PUMP (CONT'D)

Dimensions and Performance



See page 524 for replacement parts.

INTELLIPRO® VARIABLE SPEED HIGH PERFORMANCE PUMP



IntelliPro
Variable Speed Pump

This product may be protected by one or more of the following US Patents and all corresponding foreign counterparts: 7,686,587; 7,854,597; 8,043,070; 8,469,675; 8,573,952; D568,340; D606,562; D611,430

IntelliPro VS Variable Speed pump is the next generation of Pentair's variable-speed pump technology. With energy savings up to 90% versus conventional pumps, near-silent operation and advanced programming capabilities, this pump continues to deliver everything a pool owner wants and reliability no other competitor can match.

Featured Highlights

- Intuitive, easy to use menu structure for programming and monitoring
- Control keypad can be rotated for convenient orientation on the pump or wall mounted with Relocation Kit
- Includes 2 in. NPT Slip Unions
- Interfaces perfectly with Pentair automation systems that give you the convenience of mobile device control
- Totally enclosed fan cooled design for quiet operation and long life
- Top-mounted field wiring compartment makes access and installation easier
- 8-programmable speed settings and built in timer
- WEF 6.6 THP 3.95

CALIFORNIA PROPOSITION 65 WARNING

⚠ **WARNING:** Cancer and Reproductive Harm.
 ⚠ **AVERTISSEMENT:** Peut Causer le Cancer et des Dommages au Système Reproducteur.
 ⚠ **ADVERTENCIA:** Cáncer y Daño Reproductivo.
www.p65warnings.ca.gov

Ordering Information

Product	Description	Voltage	Full Load Amps	kW	HP	SF	SFHP	FREQ.	Primary Listings and Certifications ⁴	Port Size (NPT)	Carton Wt. (Lbs.)
INTELLIPRO VARIABLE SPEED (NON-SVRS MODEL)											
013028	IntelliPro VS	230	16	3.2	3	1.32	3.95	50Hz/60Hz	UL ¹ , NSF ² , APSP ³	2 in. x 2 in.	57
ACCESSORIES											
521109	IntelliCom 2 - Rated 9 - 30 V DC with 4 inputs										1
350122	Communication Cable - 50 ft. - Included with pump										2
356905Z	Keypad Relocation Kit										2

¹ 'UL' indicates that pump bears a specific UL mark signifying evaluation to U.S. Standards UL1081 for Permanently Connected

Swimming Pool and Spa Pumps and to Canadian Standards CAN/CSA C22.2 No. 108-01 Liquid Pumps For Swimming Pools Only (Enclosure 3).

² 'NSF' indicates that pump bears a mark signifying evaluation to NSF Standard 50 For Self-Priming Centrifugal Pumps For Swimming Pools Only.

³ 'APSP' Pump has been evaluated to ANSI/APSP/ICC-15 and California Title 20 and is certified to use on Residential Swimming Pool Filtration Systems.

⁴ Product may have been evaluated to other state and local regulatory standards. Listing status may change. Always confirm status with appropriate agency if in doubt.

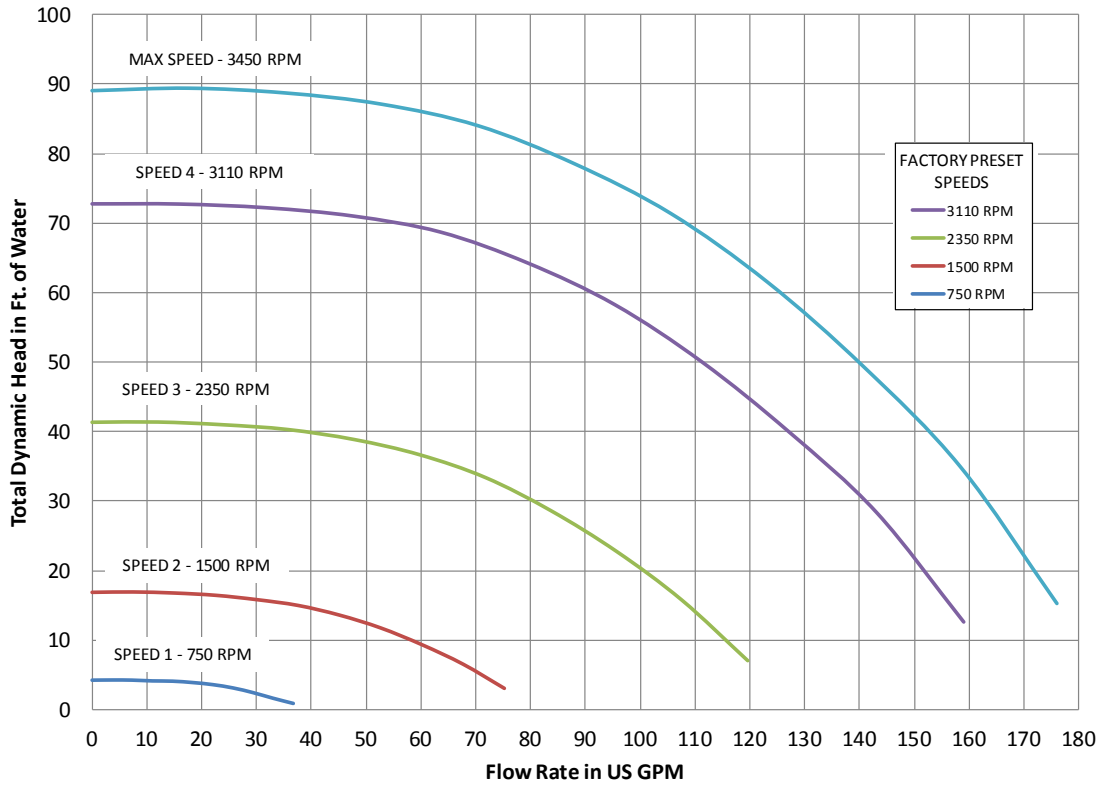
• Savings based on variable speed pump compared to a single-speed pump running 12 hours per day at an average of \$0.16 per kWh in a 20,000 gallon pool. Actual savings may vary based on local utility rates, pool size, pump run time, pump horsepower, pump rpm, plumbing size and length, pump model, service factor and other hydraulic factors

Refer to catalog page 50 for a selection of 2-Pole GFCI breakers which offer 6 milliamp personnel protection while meeting NEC 2008 Standards for Pool Pumps.

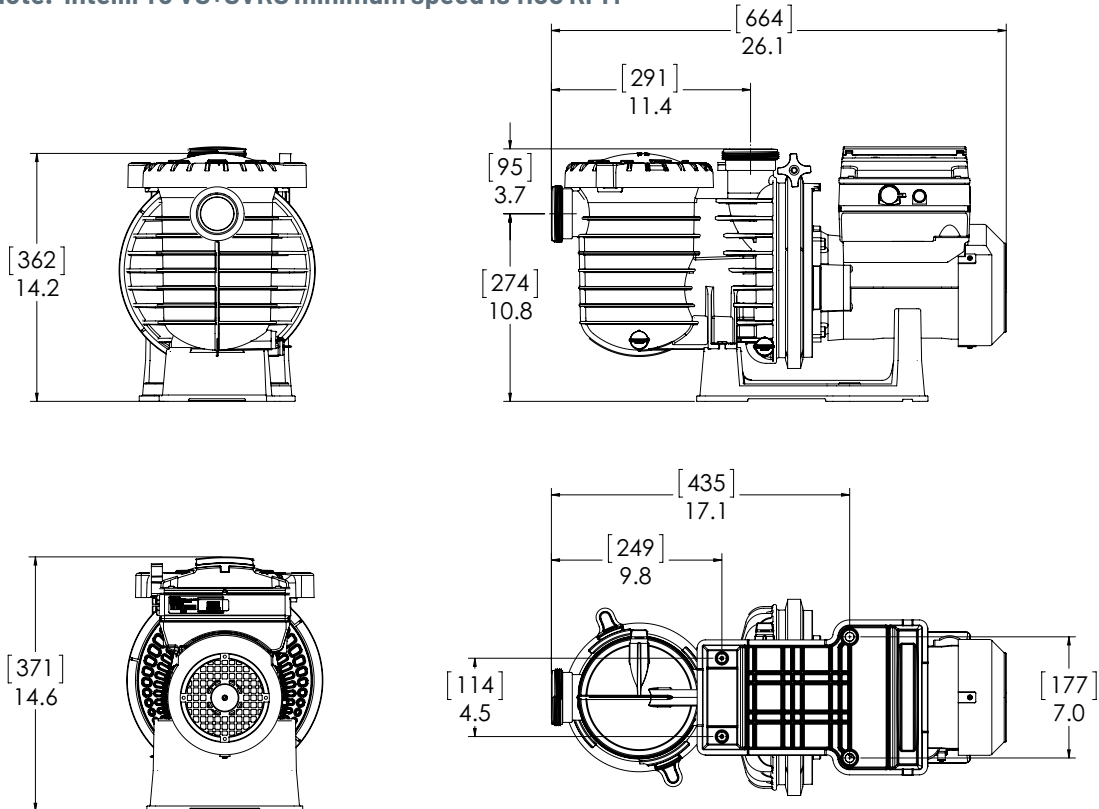
INTELLIPRO® VS

HIGH PERFORMANCE PUMP (CONT'D)

Dimensions and Performance



Note: IntelliPro VS+SVRS minimum speed is 1100 RPM



See page 524 for replacement parts.

INTELLIPRO® VS+SVRS HIGH PERFORMANCE PUMPS



IntelliPro VS+SVRS
Variable Speed Pump



This product may be protected by one or more of the following US Patents and all corresponding foreign counterparts: 7,686,587; 7,854,597; D611,430; D606,562; 8,313,306; 8,602,743; 8,469,675; 8,573,952; 8,602,745; 8,043,070; 9,243,413

IntelliPro pumps combine variable speed technology, onboard digital intelligence and permanent magnet motors (used in hybrid cars) to reduce pump-related energy costs by up to 90%. The IntelliPro VS+SVRS pump models were the first swimming pool pumps to feature a built-in Safety Vacuum Release System that detects drain blockage and automatically shuts the pump off.

CALIFORNIA PROPOSITION 65 WARNING
 ⚠️ **WARNING:** Cancer and Reproductive Harm.
 ⚠️ **AVERTISSEMENT:** Peut Causer le Cancer et des Dommages au Système Reproducteur.
 ⚠️ **ADVERTENCIA:** Cáncer y Daño Reproductivo.
www.p65warnings.ca.gov PA 201214

Featured Highlights

- Ability to program exact pump speeds for specific operations – filtering, heating, cleaning, spa jets, water features and more
- SVRS complies with Virginia Graeme Baker Safety Act
- Built-in diagnostics protect the IntelliPro pump from the most common causes of premature failure – overheating, freezing, and voltage irregularities.
- Includes priming protection. No SVRS calibrations needed. Built-in SVRS cannot be turned off.
- Safety lock-out feature (password protected) prevents pump speed settings from being changed by unauthorized personnel
- Ability to set minimum and maximum speeds so pump will only operate within the ranges set to help assure safe operation and long life
- Compatible with Pentair Automation Systems
- Compliant with the current ASME A112.19.17 standard for Safety Vacuum Release Systems (SVRS)
- WEF 6.1 THP 3.95

Ordering Information

Product	Model	Voltage	Full Load Amps	kW	HP	SF	SFHP	FREQ.	Primary Listings and Certifications ⁶	Port Size (NPT)	Carton Wt. (Lbs.)
INTELLIPRO VS+ SVRS VARIABLE SPEED WITH SAFETY VACUUM RELEASE SYSTEM											
013002	IntelliPro VS+SVRS	230	16	3.2	3	1.32	3.95	50hz/60hz	UL ¹ , NSF ² , CSA ³ , ASME ⁴ , ETL APSP ⁵	2 in. x 2 in.	55
ACCESSORIES											
521109	IntelliCom 2 - Rated 9 - 30 V DC with 4 inputs										1
350122	Communication Cable - 50 ft. - Included with pump										2
350250Z	SVRS KIT - Allows use of discharge check valves with SVRS pump										1
356905Z	Optional Keypad Wall Mount Kit										
UNIONS											
11201-0154	2 in. x 2 in. Union (2 in. NPT male x 2 in. female NPT quick connect)								* Note: two required per pump (sold individually)		2

¹ 'UL' indicates that pump bears a UL mark signifying evaluation to U.S. Standards UL1081 for Permanently Connected Swimming Pool and Spa Pumps and to Canadian Standards CAN/CSA C22.2 No. 108-01 Liquid Pumps For Swimming Pools Only (Enclosure 3).

² 'NSF' indicates that pump bears a mark signifying evaluation to NSF Standard 50 For Self-Priming Centrifugal Pumps For Swimming Pools Only.

³ 'CSA' indicates that pump bears a CSA mark signifying evaluation to Canadian Standards CAN/CSA C22.2 No. 108-01 Liquid Pumps For Swimming Pools Only (Enclosure 3).

⁴ 'ASME' indicates that pump bears a specific mark signifying evaluation to ASME/ANSI Standard A.112.19.17 Manufactured Safety Vacuum Relief System (SVRS).

⁵ 'APSP' Pump has been evaluated to ANSI/APSP/ICC-15 and California Title 20 and is certified to use on Residential Swimming Pool Filtration Systems.

⁶ Product may have been evaluated to other state and local regulatory standards. Listing status may change. Always confirm status with appropriate agency if in doubt.

Note: Pump must be used with current collectors when installed on spas or hot tubs in Canada.

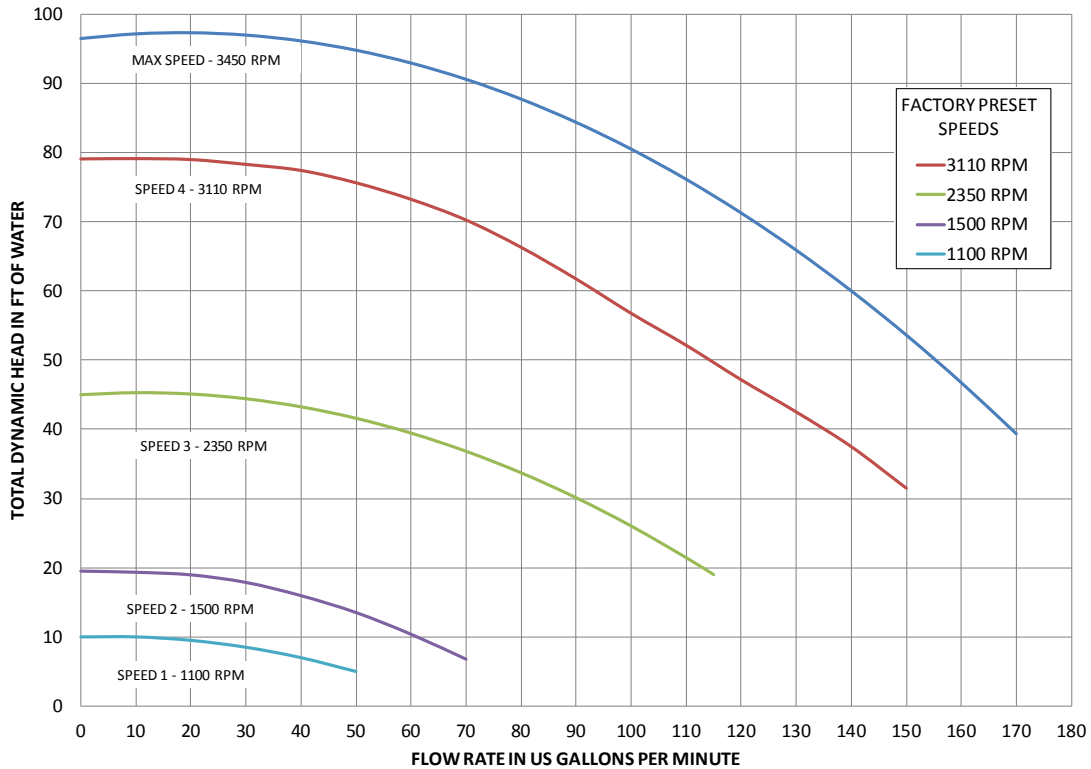
Refer to catalog page 50 for a selection of 2-Pole GFCI breakers which offer 6 milliamp personnel protection while meeting 2008 to Current NEC Standards for Pool Pumps.

• Savings based on variable speed pump compared to a single-speed pump running 12 hours per day at an average of \$0.16 per kWh in a 20,000 gallon pool. Actual savings may vary based on local utility rates, pool size, pump run time, pump horsepower, pump rpm, plumbing size and length, pump model, service factor and other hydraulic factors

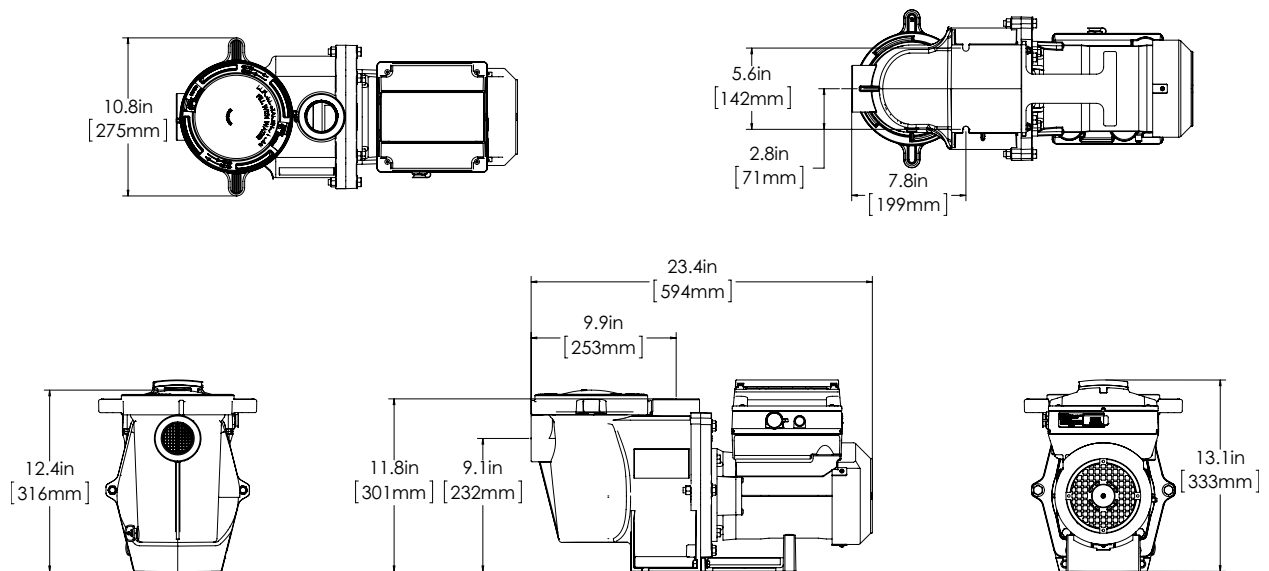
INTELLIPRO® VS+SVRS

HIGH PERFORMANCE PUMPS (CONT'D)

Dimensions and Performance



* IntelliPro VS+SVRS minimum speed is 1100 RPM



See page 526 for replacement parts.

MAX-E-PROXF[®]

HIGH PERFORMANCE PUMPS



TRADEGRADE



Max-E-ProXF Pump

Developed using the most advanced engineering tools available - CFD (Computational Fluid Dynamics) and FEA (Finite Element Analysis). The impeller design delivers high level of precision concentricity for increased efficiency.

Featured Highlights

- Drop-in replacement for all Max-E-Pro[®] Pump models. Simple replacement for Challenger[®] Pumps *
- Hydraulic isolator separates priming water from pumping water for faster priming, more turbulent-free flow and increased efficiency
- Union connectors included for connecting directly to 2.5 in. or 3 in. plumbing
- Extra large, robust basket with smooth surface for easy debris removal
- Easy-carry handle; easily removable ergonomic lock ring; and see-through lid for easy basket inspection
- Three Phase XF pumps are compatible with Pentair's Acu Drive XS VFD's
- Optional riser base for Challenger pump replacements, part #400012 available separately

CALIFORNIA PROPOSITION 65 WARNING

⚠ **WARNING:** Cancer and Reproductive Harm.
 ⚠ **AVERTISSEMENT:** Peut Causer le Cancer et des Dommages au Système Reproducteur.
 ⚠ **ADVERTENCIA:** Cáncer y Daño Reproductivo.
www.p65warnings.ca.gov PA 201714

Ordering Information

Product	Model	Voltage	Full Load Amps	HP	SF	SFHP	Primary Listings and Certifications ⁴	Port Size (NPT)	Carton Wt. (Lbs.)	Curve Key
TEFC SUPER-DUTY SINGLE SPEED										
023032	XPET-8	208V-230V	11.0-9.5	2	1.30	2.60	UL ¹ , NSF ²	2-1/2 x 2-1/2" OR 3 x 3"	57	D
023033	XPET-12	208V-230V	14.6-12.7	3	1.15	3.45	UL ¹ , NSF ²	2-1/2 x 2-1/2" OR 3 x 3"	61	B
023034	XPET-20	208V-230V	20.0-18.8	5	1.0	5.0	UL ¹ , NSF ²	2-1/2 x 2-1/2" OR 3 x 3"	67	A
EFFICIENT SINGLE SPEED FULL RATED										
023009	XPE-8	208V-230V	11.0-10.2	2	1.30	2.60	UL ¹ , NSF ²	2-1/2 x 2-1/2" OR 3 x 3"	55	D
023010	XPE-12	208V-230V	15.0-13.6	3	1.15	3.45	UL ¹ , NSF ²	2-1/2 x 2-1/2" OR 3 x 3"	60	B
023011	XPE-20	208V-230V	22.0-23.0	5	1.0	5.0	UL ¹ , NSF ²	2-1/2 x 2-1/2" OR 3 x 3"	72	A
STANDARD SINGLE SPEED										
023012	XP-8	208V-230V	11.5-11.0	2	1.30	2.60	UL ¹ , NSF ²	2-1/2 x 2-1/2" OR 3 x 3"	55	D
023013	XP-12	230V	14.1	3	1.15	3.45	UL ¹ , NSF ²	2-1/2 x 2-1/2" OR 3 x 3"	60	C
EFFICIENT TWO-SPEED FULL RATED										
023007	XPDS-8	230V	11.0/1.8	2.0/0.25	1.30	2.6/0.33	UL ¹ , NSF ² , APSP ³	2-1/2 x 2-1/2" OR 3 x 3"	55	D, F
023008	XPDS-12	230V	15.0/2.6	3.0/0.38	1.15	3.45/0.44	UL ¹ , NSF ² , APSP ³	2-1/2 x 2-1/2" OR 3 x 3"	60	B, E
EFFICIENT TWO-SPEED UP RATED										
023026	XPDS-30	230V	11.0/1.8	2.5/1.31	1.04	2.6/0.32	UL ¹ , NSF ² , APSP ³	2-1/2 x 2-1/2" OR 3 x 3"	60	D, F
STANDARD SINGLE SPEED UP RATED										
023027	XP-30	208-230V	11.5-11.0	2.5	1.04	2.6	UL ¹ , NSF ²	2-1/2 x 2-1/2" OR 3 x 3"	55	D
EFFICIENT SINGLE SPEED UP RATED										
023028	XPE-30	208-230V	11.0-10.2	2.5	1.04	2.6	UL ¹ , NSF ²	2-1/2 x 2-1/2" OR 3 x 3"	55	D
THREE-PHASE SUPER-DUTY										
023017	XPK-8	208-230V/460V	7.5-7.2/3.6	2	1.3	2.6	UL ¹ , NSF ²	2-1/2 x 2-1/2" OR 3 x 3"	60	I
023018	XPK-12	208-230V/460V	9.8-9.4/4.7	3	1.15	3.45	UL ¹ , NSF ²	2-1/2 x 2-1/2" OR 3 x 3"	60	H
023019	XPK-20	208-230V/460V	13.9-13.1/6.6	5	1.0	5.0	UL ¹ , NSF ²	2-1/2 x 2-1/2" OR 3 x 3"	72	G
ACCESSORIES										
400012	XF Riser Base - Simplifies installation of XF-series pumps in applications where Challenger pumps are being replaced.									

¹ 'UL' indicates that pump bears a UL mark signifying evaluation to U.S. Standards UL1081 for Permanently Connected Swimming Pool and Spa Pumps and to Canadian Standards CAN/CSA C22.2 No. 108-01 Liquid Pumps For Swimming Pools Only (Enclosure 3).
² 'NSF' indicates that pump bears a mark signifying evaluation to NSF Standard 50 For Self-Priming Centrifugal Pumps For Swimming Pools, Spas and Hot Tubs.
³ 'APSP' Pump has been evaluated to ANSI/APSP/ICC-15 and California Title 20 and is certified to use on Residential Swimming Pool Filtration Systems.
⁴ Product may have been evaluated to other state and local regulatory standards. Listing status may change. Always confirm status with appropriate agency if in doubt.

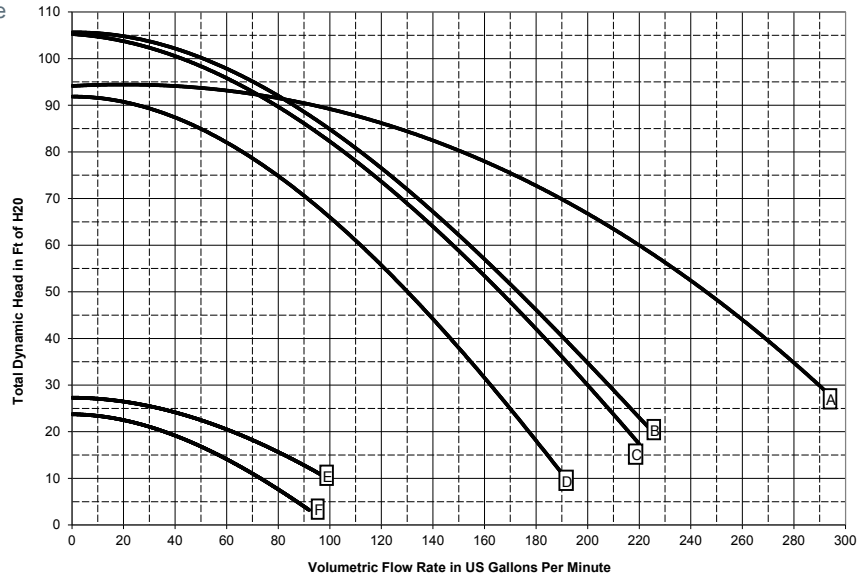
• **Pumps and replacement motors that are single speed and one (1) Total HP or greater cannot be sold, offered for sale, or installed in a residential pool for filtration use in California, Title 20 CCR sections 1601-1609.**

MAX-E-PROXF[®]

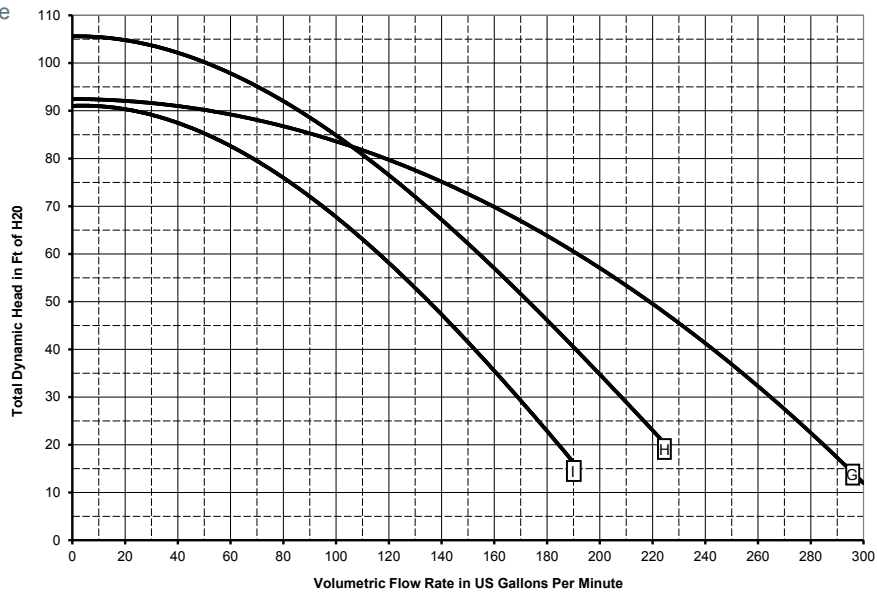
HIGH PERFORMANCE PUMPS (CONT'D)

Dimensions and Performance

1 & 2-Speed
Performance
Curve

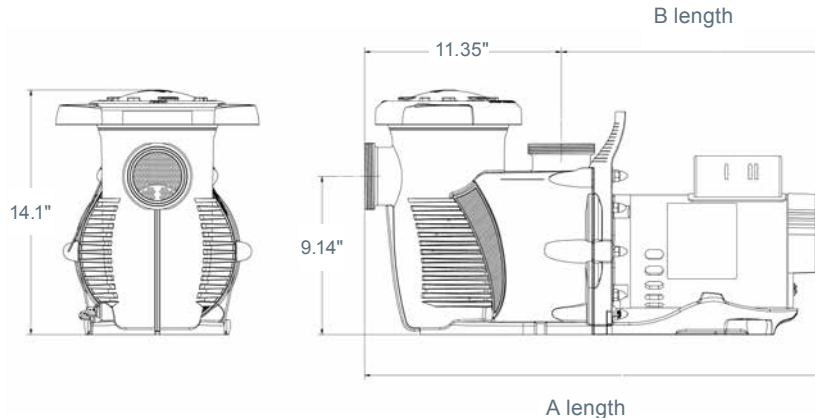


3 Phase
Performance
Curve



B- VARYING LENGTH				
HP	STD EFF	EE	1PH TEFC	3PH
2	15.04"	16.04"	13.05"	12.35"
2.5	15.04"	16.04"	-	-
3	16.04"	16.29"	13.65"	13.05"
5	-	16.78"	14.55"	13.88"

A- VARYING LENGTH				
HP	STD EFF	EE	1PH TEFC	3PH
2	26.39"	27.39"	24.40"	23.70"
2.5	26.39"	27.39"	-	-
3	27.39"	27.64"	25.00"	24.40"
5	-	28.13"	25.90"	25.23"



See page 528–529 for replacement parts.

MAX-E-PRO®

HIGH-EFFICIENCY POOL/SPA PUMPS



TRADEGRADE

Max-E-Pro Pump



CALIFORNIA PROPOSITION 65 WARNING

⚠️ **WARNING:** Cancer and Reproductive Harm.
 ⚠️ **AVERTISSEMENT:** Peut Causer le Cancer et des Dommages au Système Reproducteur.
 ⚠️ **ADVERTENCIA:** Cáncer y Daño Reproductivo.
www.p65warnings.ca.gov P632514



Featured Highlights

- Typical Installation – Inground pools, pool/spa combinations, inground spas, fountains and water features
- Easy-to-Install – 2 in. ports include external and internal threads for more plumbing options
- Superior Hydraulic Design – Moves larger volumes of water, resulting in lower operating costs
- Impeller Manufactured with PPO Resin – Withstands the toughest water environments
- EDPM Rubber Shaft Seal – Longer-lasting seal stands up to the harshest environments
- Self-lubricating Lid O-ring – Does not require lubricant

P6 & 5P6R SERIES – High efficiency, low maintenance and maximum performance—all the features demanded by today's pool professionals. The Max-E-Pro pump has our new Quick-Lock™ Trap Cover Ring and the 2 in. ports incorporate internal and external threads. Available in single- and two-speed models, with ratings from 1/2 to 3 HP. **Built with quality construction** using a durable one-piece pump housing constructed of industry leading glass-reinforced composite resin. **Fast cleaning** with a new Quick-Lock trap cover ring permits fast access to strainer basket. Large see-through lid makes it simple to check for debris. A **strong, sturdy**, specially-designed base dampens sound and vibration, making the Max-E-Pro pump one of the quietest pumps in its class.

Ordering Information

Product	Voltage	Full Load Amps	HP	SF	SFHP	Primary Listings and Certifications ³	Port Size (NPT)	Carton Wt. (Lbs.)	Curve Key
TEFC SUPER-DUTY SINGLE SPEED									
348150	115/208-230	15.1/8.5-7.7	1	1.65	1.65	UL ¹ , NSF ²	2 in. x 2 in.	48	N
348151	208-230	10.3-9.1	1-1/2	1.47	2.21	UL ¹ , NSF ²	2 in. x 2 in.	51	F
348152	208-230	11.7-10.3	2	1.3	2.6	UL ¹ , NSF ²	2 in. x 2 in.	54	G
348153	208-230	14.6-12.7	3	1.15	3.45	UL ¹ , NSF ²	2 in. x 2 in.	58	H
EFFICIENT SINGLE SPEED FULL RATED									
P6E6C-204L	115/208-230	11/5.5	1/2	1.90	0.95	UL ¹ , NSF ² , APSP ³	2 in. x 2 in.	46	C
P6E6D-205L	115/208-230	13.8/6.9	3/4	1.65	1.23	UL ¹ , NSF ²	2 in. x 2 in.	47	D
P6E6E-206L	115/208-230	16/8	1	1.65	1.65	UL ¹ , NSF ²	2 in. x 2 in.	49	E
P6E6F-207L	230	10.4	1-1/2	1.47	2.20	UL ¹ , NSF ²	2 in. x 2 in.	55	F
P6E6G-208L	230	11.2	2	1.30	2.60	UL ¹ , NSF ²	2 in. x 2 in.	57	G
P6E6H-209L	230	15.0	3	1.15	3.45	UL ¹ , NSF ²	2 in. x 2 in.	62	H
EFFICIENT SINGLE SPEED UP RATED									
P6EA6E-205L	115/208-230	13.8/6.9	1	1.25	1.25	UL ¹ , NSF ²	2 in. x 2 in.	46	D
P6EA6F-206L	115/208-230	16/8	1-1/2	1.10	1.65	UL ¹ , NSF ²	2 in. x 2 in.	48	E
P6EAA6F-216L	230	10.4	1-3/4	1.25	1.93	UL ¹ , NSF ²	2 in. x 2 in.	54	F
P6EA6G-207L	230	10.4	2	1.10	2.20	UL ¹ , NSF ²	2 in. x 2 in.	54	F
P6EAA6G-208L	230	11.2	2-1/2	1.00	2.50	UL ¹ , NSF ²	2 in. x 2 in.	57	G
STANDARD SINGLE SPEED FULL RATED									
P6R6D-205L	115/208-230	13.2/6.2-6.6	3/4	1.65	1.25	UL ¹ , NSF ²	2 in. x 2 in.	40	D
P6R6E-206L	115/208-230	16.0/7.8-8.0	1	1.65	1.65	UL ¹ , NSF ²	2 in. x 2 in.	45	E
P6R6F-207L	115/208-230	21.0/10.0-10.5	1-1/2	1.47	2.20	UL ¹ , NSF ²	2 in. x 2 in.	51	F
P6R6G-208L	208-230	11.5-11.0	2	1.30	2.60	UL ¹ , NSF ²	2 in. x 2 in.	53	G
P6R6H-209L	230	14.1	3	1.15	3.45	UL ¹ , NSF ²	2 in. x 2 in.	58	H

MAX-E-PRO®

HIGH-EFFICIENCY POOL/SPA PUMPS (CONT'D)

Ordering Information

Product	Voltage	Full Load Amps	HP	SF	SFHP	Primary Listings and Certifications ⁴	Port Size (NPT)	Carton Wt. (Lbs.)	Curve Key
STANDARD SINGLE SPEED UP RATED									
P6RA6E-205L	115/208-230	13.2/6.2-6.6	1	1.25	1.25	UL ¹ , NSF ²	2 in. x 2 in.	40	D
P6RA6F-206L	115/208-230	16.0/7.8-8.0	1-1/2	1.10	1.65	UL ¹ , NSF ²	2 in. x 2 in.	45	E
P6RAA6F-216L	230	12.0	1-3/4	1.25	1.93	UL ¹ , NSF ²	2 in. x 2 in.	50	F
P6RA6G-207L	115/208-230	21.0/10.0-10.5	2	1.10	2.20	UL ¹ , NSF ²	2 in. x 2 in.	51	F
THREE-PHASE SUPER-DUTY									
345076	208-230/460	4.9-4.5/2.3	1	1.65	1.65	UL ¹ , NSF ²	2 in. x 2 in.	45	N
345077	208-230/460	6.4-6.3/3.2	1-1/2	1.47	2.21	UL ¹ , NSF ²	2 in. x 2 in.	47	F
345078	208-230/460	7.5-7.2/3.6	2	1.30	2.60	UL ¹ , NSF ²	2 in. x 2 in.	50	G
345079	208-230/460	9.8-9.4/4.7	3	1.15	3.45	UL ¹ , NSF ²	2 in. x 2 in.	53	H
SINGLE SPEED FULL RATED FOR LOW VOLTAGE APPLICATIONS- 3 PHASE									
P6R62D3-186	200-400	3.8/1.9	3/4	1.65	1.25	NSF ²	2 in. x 2 in.	42	D
P6R62E3-187	200-400	5.2/2.6	1	1.65	1.65	NSF ²	2 in. x 2 in.	48	N
P6R62F3-188	200-400	7.6/3.8	1-1/2	1.47	2.20	NSF ²	2 in. x 2 in.	50	F
P6R62G3-189	200-400	7.6/3.8	2	1.10	2.20	NSF ²	2 in. x 2 in.	52	G
SINGLE SPEED FULL RATED FOR 575 VOLTAGE APPLICATIONS- 3 PHASE									
P6EA6D36-204	575	1.2	3/4	1.50	1.12	NSF ²	2 in. x 2 in.	39	D
P6EA6E36-205	575	1.5	1	1.40	1.40	NSF ²	2 in. x 2 in.	41	N
P6EA6F36-206	575	1.9	1-1/2	1.10	1.65	NSF ²	2 in. x 2 in.	48	F
P6EA6G36-207	575	3.2	2	1.00	2.00	NSF ²	2 in. x 2 in.	50	G
P6E6H36-209	575	3.9	3	1.15	3.45	NSF ²	2 in. x 2 in.	59	H
EFFICIENT TWO SPEED 3450 RPM, LOW SPEED 1725 RPM UP RATED									
P6RA6YF-206L	230	9.2/2.5	1-1/2	1.10	1.65	UL ¹ , NSF ² , APSP ³	2 in. x 2 in.	48	A, E
P6RA6YG-207L	230	10.1/3.7	2	1.10	2.20	UL ¹ , NSF ² , APSP ³	2 in. x 2 in.	49	B, F
50 HZ EFFICIENT SINGLE SPEED									
5P6R6D-209	115/220-240	12.2/6.1	3/4	1.65	1.23		2 in. x 2 in.	39	I
5P6R6E-210	115/220-240	15.4/7.7	1	1.25	1.25		2 in. x 2 in.	41	J
5P6R6F-211	115/220-240	19.4/9.7	1.5	1.10	1.65		2 in. x 2 in.	48	K
5P6R6G-212	220-240	10.5	2	1.10	2.20		2 in. x 2 in.	50	L
5P6R6H-213	220-240	13.9	3	1.00	3.00		2 in. x 2 in.	59	M
50 HZ EFFICIENT SINGLE SPEED - 3 PHASE									
5P6R6D3-209	220-240/380-415	3.6/2.1	3/4	1.27	.95		2 in. x 2 in.	38	I
5P6R6E3-210	220-240/380-415	4.0/2.3	1	1.25	1.25		2 in. x 2 in.	40	J
5P6R6F3-211	220-240/380-415	5.15/3.0	1-1/2	1.10	1.65		2 in. x 2 in.	47	K
5P6R6G3-212	220-240/380-415	6.6/3.8	2	1.10	2.20		2 in. x 2 in.	49	L
5P6R6H3-213	220-240/380-415	8.0/4.7	3	1.00	3.00		2 in. x 2 in.	58	M
ACCESSORIES									
77703-0100	2 in. Union Half x 1-1/2 in. FPT – Package Of Two							1	
77703-0101	2 in. Union Half x 1-1/2 in. Slip – Package Of Two							1	
PKG 188Z	2 in. Union Half x 2 in. Slip – Package Of Two							1	
PKG 189	2 in. Union Half x 2 in. FPT – Package Of Two							1	

¹ 'UL' indicates that pump bears a specific UL mark signifying evaluation to U.S. Standards UL1081 for Permanently Connected Swimming Pool and Spa Pumps and to Canadian Standards CAN/CSA C22.2 No. 108-01 Liquid Pumps For Swimming Pools And Spas. (Enclosure 3).

² 'NSF' indicates that pump bears a mark signifying evaluation to NSF Standard 50 For Self-Priming Centrifugal Pumps For Swimming Pools, Spas and Hot Tubs.

³ 'APSP' Pump has been evaluated to ANSI/APSP/ICC-15 and California Title 20 and is certified to use on Residential Swimming Pool Filtration Systems.

⁴ Product may have been evaluated to other state and local regulatory standards. Listing status may change. Always confirm status with appropriate agency if in doubt.

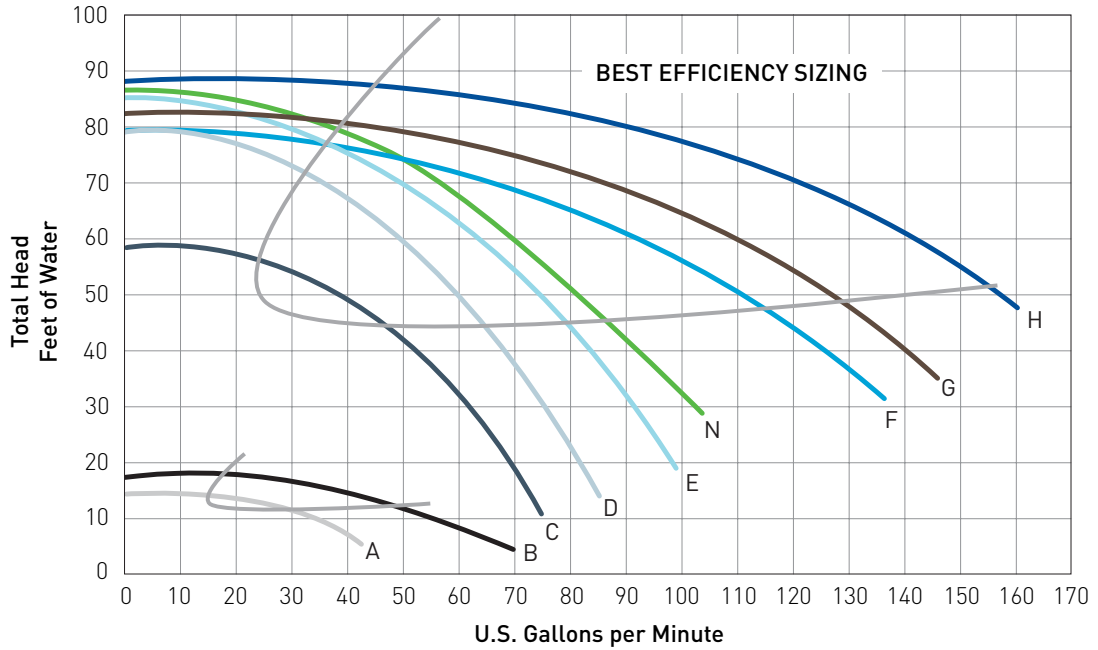
• **Pumps and replacement motors that are single speed and one (1) Total HP or greater cannot be sold, offered for sale, or installed in a residential pool for filtration use in California, Title 20 CCR sections 1601-1609.**

MAX-E-PRO[®]

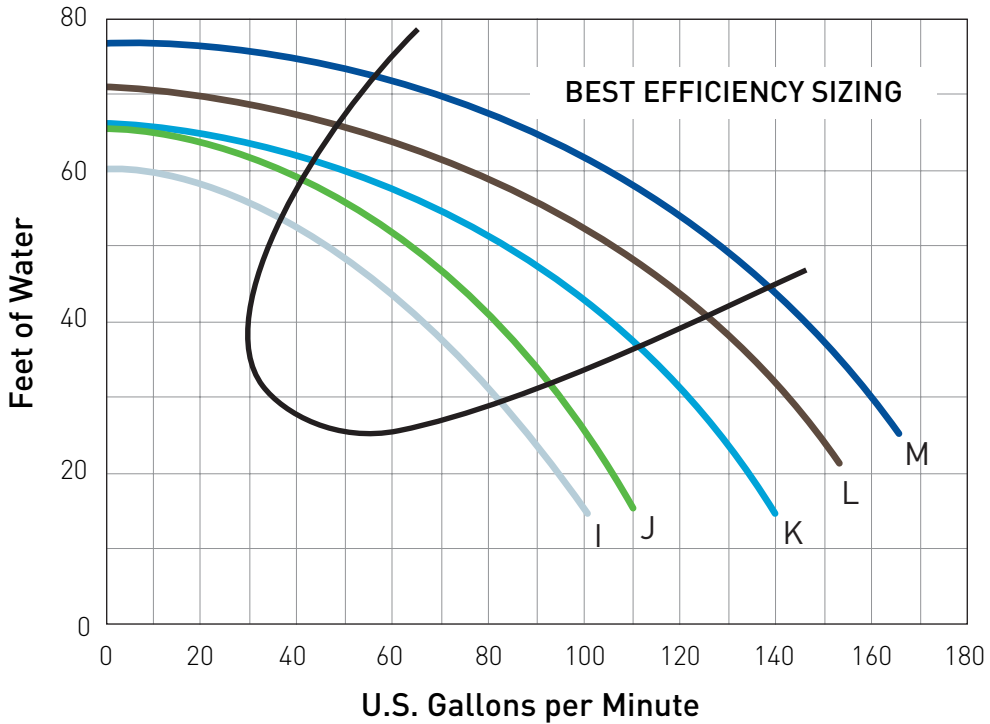
HIGH-EFFICIENCY POOL/SPA PUMPS (CONT'D)

Dimensions and Performance

60 Hz Performance Curve

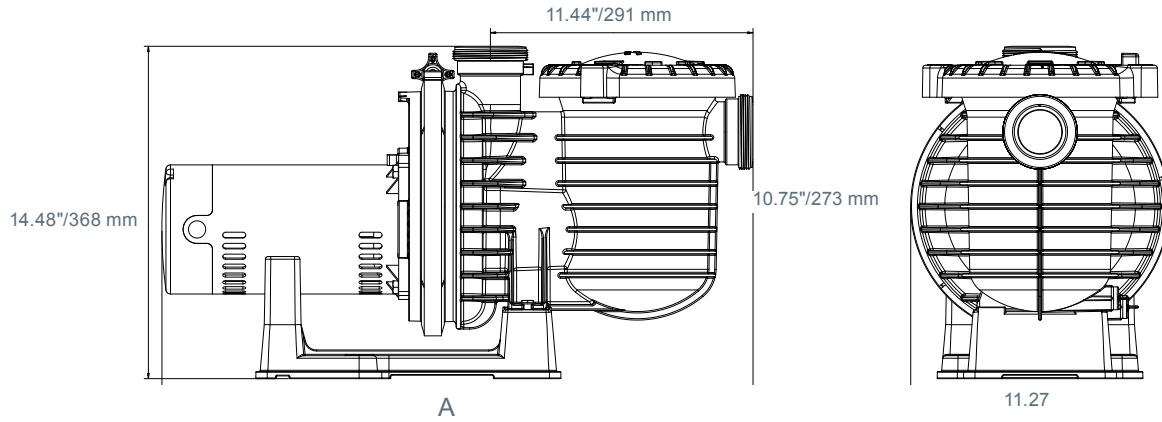


50 Hz Performance Curve



MAX-E-PRO®

HIGH-EFFICIENCY POOL/SPA PUMPS (CONT'D)



A- VARYING LENGTH				
HP	STD EFF	EE	1PH TEFC	3PH
.5	26.92			
.75	26.92			
1	27.29	28.45	25.03	24.76
1.5	28.92	28.45	25.48	24.76
2	28.92	29.08	25.93	25.17
3.0	28.92	29.08	26.53	25.87

SUPERMAX® VS

VARIABLE SPEED PUMPS



TRADEGRADE



SuperMax VS
Variable Speed Pump



For pool owners who want to step-up to the cost savings of variable speed technology, the SuperMax VS pump is the wise choice. SuperMax VS pump is engineered for easy installation, simple operation, and trouble-free service.

Featured Highlights

- Variable speed technology costs significantly less to operate
- Ideal for standard pools requiring up to 1.5 hp pump
- 110/230V and 50/60 Hz capability
- Real-time clock with 24-hour memory retention
- Simple, intuitive user interface is easy to program and operate
- Easy to access electrical connections for simple installation
- Three operating speed settings plus override capability
- SuperMax pump by Pentair Aquatic Systems is a direct replacement for the Hayward® Super Pump® *
- 115-volt: WEF 7.3 THP 2.2
- 230-volt: WEF 6.6 THP 2.2

CALIFORNIA PROPOSITION 65 WARNING
 ⚠️ **WARNING:** Cancer and Reproductive Harm.
 ⚠️ **AVERTISSEMENT:** Peut Causer le Cancer et des Dommages au Système Reproducteur.
 ⚠️ **ADVERTENCIA:** Cáncer y Daño Reproductivo.
www.p65warnings.ca.gov PA120175A

Ordering Information

Product	Model	Voltage	Full Load Amps	HP	SF	SFHP	Primary Listings and Certifications ⁴	Port Size (NPT)	Carton Wt. (Lbs.)
SUPERMAX VS VARIABLE SPEED									
343001	SuperMax VS Variable Speed	115/208-230	13.2/12.0-11.5	1.5	1.46	2.2	UL ¹ , NSF ² , APSP ³	1-1/2 in.	53
ACCESSORIES									
353129Z	External Control Wiring Kit								

¹ 'UL' indicates that pump bears a UL mark signifying evaluation to U.S. Standards UL1081 for Permanently Connected Swimming Pool and Spa Pumps and to Canadian Standards CAN/CSA C22.2 No. 108-01 Liquid Pumps For Swimming Pools Only (Enclosure 3). UL 60730 Compliant.

² 'NSF' indicates that pump bears a mark signifying evaluation to NSF Standard 50 For Self-Priming Centrifugal Pumps For Swimming Pools Only.

³ 'APSP' Pump has been evaluated to ANSI/APSP/ICC-15 and California Title 20 and is certified to use on Residential Swimming Pool Filtration Systems.

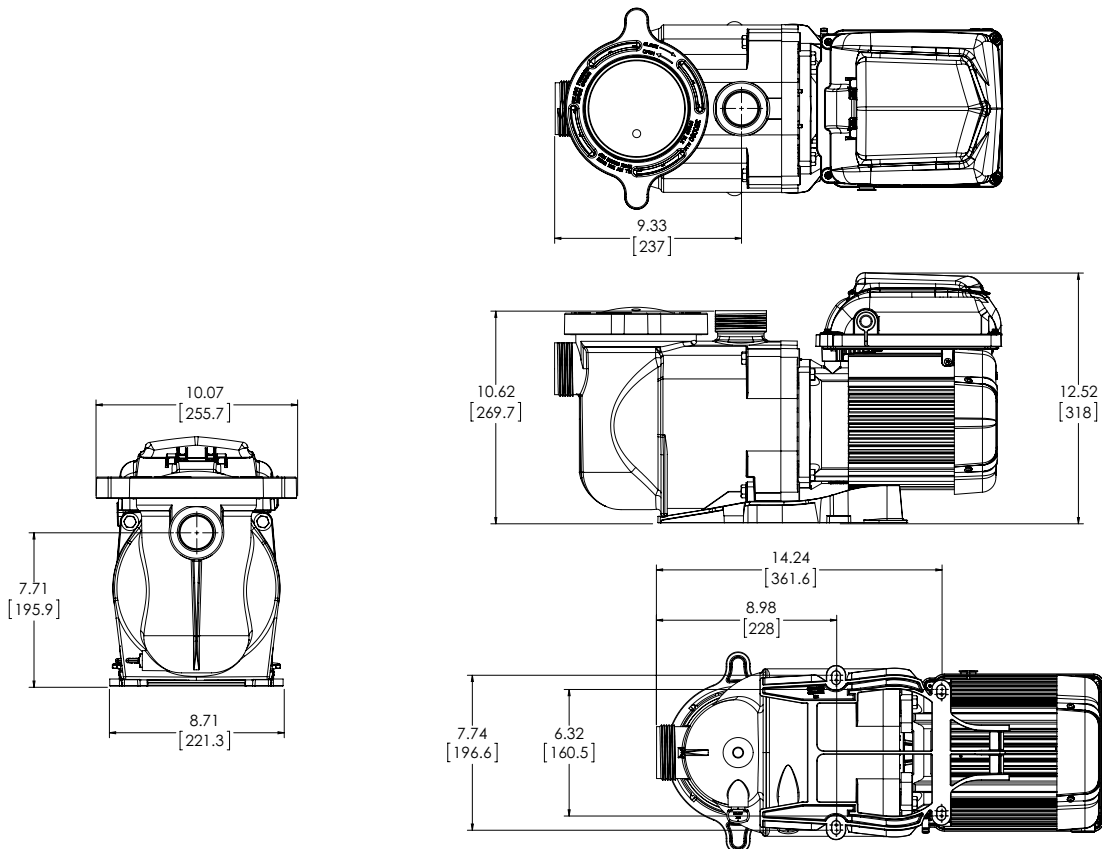
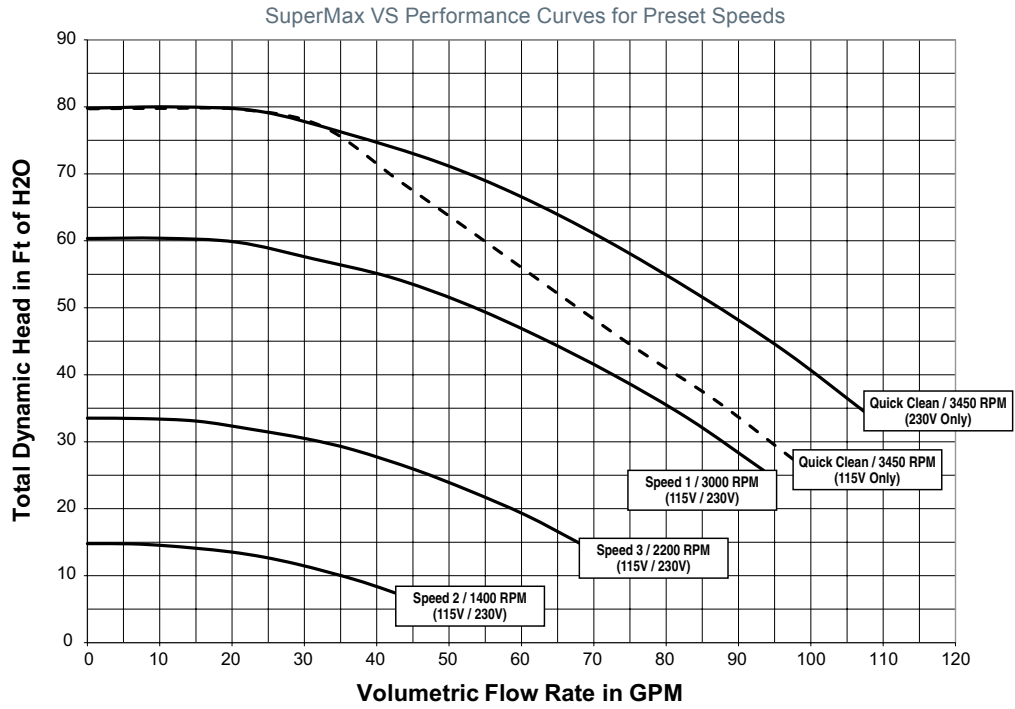
⁴ Product may have been evaluated to other state and local regulatory standards. Listing status may change. Always confirm status with appropriate agency if in doubt.

* Hayward® and Super Pump® are registered trademarks of Hayward Industries, Inc.

SUPERMAX® VS

VARIABLE SPEED PUMPS (CONT'D)

Dimensions and Performance



See page 532 for replacement parts.

SUPERMAX®

HIGH PERFORMANCE PUMPS



TRADEGRADE



SuperMax Pump

The SuperMax pump features a commercial grade, 56 square flange motor for top performance in residential swimming pools. SuperMax pump is a superior drop-in replacement for Super Pump. Consumers enjoy its economical performance. Pool professionals benefit from its ease of installation and reliability.

Featured Highlights

- SuperMax pump by Sta-Rite is a direct replacement for the Hayward® * Super Pump® *
- Single and two-speed models ranging from 1/2 to 2-1/2 HP
- Cam and Ramp™ Lid locks and unlocks with a simple quarter turn
- Exterior thermoplastic resin withstands temperature extremes and delivers long life
- Unionized fittings included (1-1/2 in. internal slip and 2 in. external slip)



CALIFORNIA PROPOSITION 65 WARNING
 ⚠️ WARNING: Cancer and Reproductive Harm.
 ⚠️ AVERTISSEMENT: Peut Causer le Cancer et des Dommages au Système Reproducteur.
 ⚠️ ADVERTENCIA: Cáncer y Daño Reproductivo.
www.p65warnings.ca.gov

Ordering Information

Product	Model	Voltage	Full Load Amps	HP	SF	SFHP	Primary Listings and Certifications ⁴	Port Size (NPT)	Carton Wt. (Lbs.)	Curve Key
TEFC SUPER-DUTY SINGLE SPEED										
348147	SM N1 1FET	115/208-230	15.1/8.5-7.7	1	1.65	1.65	UL ¹ , NSF ²	1-1/2 in. x 1-1/2 in.	41	H
348148	SM N1 1-1/2FET	208-230	10.3-9.1	1-1/2	1.47	2.21	UL ¹ , NSF ²	1-1/2 in. x 1-1/2 in.	45	I
348149	SM N1 2FET	208-230	11.7-10.3	2	1.3	2.6	UL ¹ , NSF ²	1-1/2 in. x 1-1/2 in.	48	J
EFFICIENT SINGLE SPEED										
PHK2E6C-100L	N1-1/2AE-HP	115/208-230	8.8/4.5-4.4	1/2	1.90	0.95	UL ¹ , NSF ² , APSP ³	1-1/2 in. x 1-1/2 in.	38	E
PHK2E6D-101L	N1-3/4AE-HP	115/208-230	8.8/4.5-4.4	3/4	1.30	0.95	UL ¹ , APSP ³	1-1/2 in. x 1-1/2 in.	38	F
PHK2E6E-102L	N1-1AE-HP	115/208-230	12.8/7.0-6.4	1	1.25	1.25	UL ¹ , NSF ²	1-1/2 in. x 1-1/2 in.	38	G
PHK2E6F-103L	N1-1-1/2AE-HP	115/208-230	14.8/7.8-7.4	1-1/2	1.10	1.65	UL ¹ , NSF ²	1-1/2 in. x 1-1/2 in.	40	H
PHK2E6G-104L	N1-2AE-HP	208-230	9.6-8.8	2	1.10	2.20	UL ¹ , NSF ²	1-1/2 in. x 1-1/2 in.	48	I
PHK2EAA6G-105L	N1-2-1/2AE-HP	208-230	11.0-10.2	2-1/2	1.04	2.60	UL ¹ , NSF ²	11-1/2 in. x 1-1/2 in.	54	J
STANDARD SINGLE SPEED										
PHK2RA6C-100L	N1-1/2F-HP	115/208-230	10.8/5.2-5.4	1/2	1.95	0.95	UL ¹ , NSF ² , APSP ³	1-1/2 in. x 1-1/2 in.	38	E
PHK2RA6D-101L	N1-3/4A-HP	115/208-230	10.8/5.2-5.4	3/4	1.25	0.93	UL ¹ , NSF ² , APSP ³	1-1/2 in. x 1-1/2 in.	38	F
PHK2RA6E-102L	N1-1A-HP	115/208-230	13.2/6.2-6.6	1	1.25	1.25	UL ¹ , NSF ²	1-1/2 in. x 1-1/2 in.	38	G
PHK2RA6F-103L	N1-1-1/2A-HP	115/208-230	16.0/7.8-8.0	1-1/2	1.10	1.65	UL ¹ , NSF ²	1-1/2 in. x 1-1/2 in.	40	H
PHK2RA6G-104L	N1-2A-HP	115/208-230	21.0/10.0-10.5	2	1.10	2.20	UL ¹ , NSF ²	1-1/2 in. x 1-1/2 in.	48	I
PHK2RAA6G-105L	N1-2-1/2A-HP	208-230	11.5-11.0	2-1/2	1.04	2.60	UL ¹ , NSF ²	1-1/2 in. x 1-1/2 in.	54	J
EFFICIENT TWO SPEED 3450 RPM, LOW SPEED 1725 RPM										
PHK2RAY6D-101	N2-3/4A-HP	115	14.6/4.7	3/4	1.67	1.25	UL ¹ , NSF ² , APSP ³	1-1/2 in. x 1-1/2 in.	39	A, F
PHK2RAY6E-102L	N2-1A-HP	230	6.0/2.3	1	1.25	1.25	UL ¹ , NSF ² , APSP ³	1-1/2 in. x 1-1/2 in.	39	B, G
PHK2RAY6F-103L	N2-1-1/2A-HP	230	7.8/3.0	1-1/2	1.10	1.65	UL ¹ , NSF ² , APSP ³	1-1/2 in. x 1-1/2 in.	41	C, H
PHK2RAY6G-104L	N2-2A-HP	230	10.0/3.5	2	1.10	2.20	UL ¹ , NSF ² , APSP ³	1-1/2 in. x 1-1/2 in.	49	D, I
ACCESSORIES										
351157	Union Kit – 1-1/2 in. Internal Slip x 2 in. External Slip - includes 2								1	

¹ 'UL' indicates that pump bears a UL mark signifying evaluation to U.S. Standards UL1081 for Permanently Connected Swimming Pool and Spa Pumps and to Canadian Standards CAN/CSA C22.2 No. 108-01 Liquid Pumps For Swimming Pools Only (Enclosure 3).

² 'NSF' indicates that pump bears a mark signifying evaluation to NSF Standard 50 For Self-Priming Centrifugal Pumps For Swimming Pools Only.

³ 'APSP' Pump has been evaluated to ANSI/APSP/ICC-15 and California Title 20 and is certified to use on Residential Swimming Pool Filtration Systems.

Product may have been evaluated to other state and local regulatory standards. Listing status may change. Always confirm status with appropriate agency if in doubt.

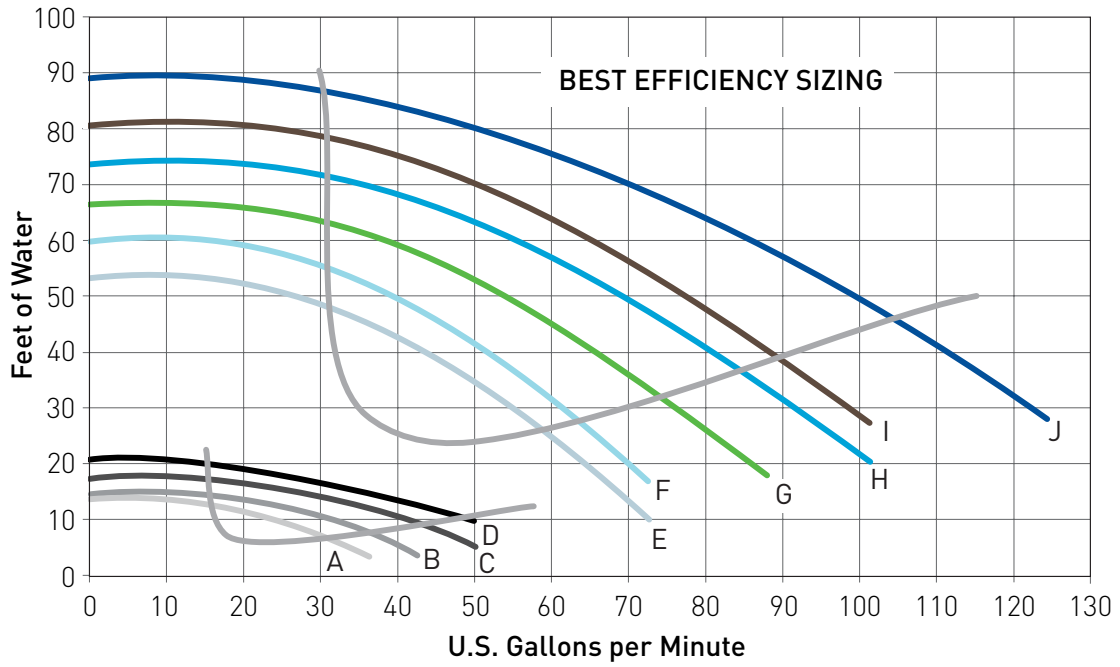
• **Pumps and replacement motors that are single speed and one (1) Total HP or greater cannot be sold, offered for sale, or installed in a residential pool for filtration use in California, Title 20 CCR sections 1601-1609.**

* Hayward® and Super Pump® are registered trademarks of Hayward Industries, Inc.

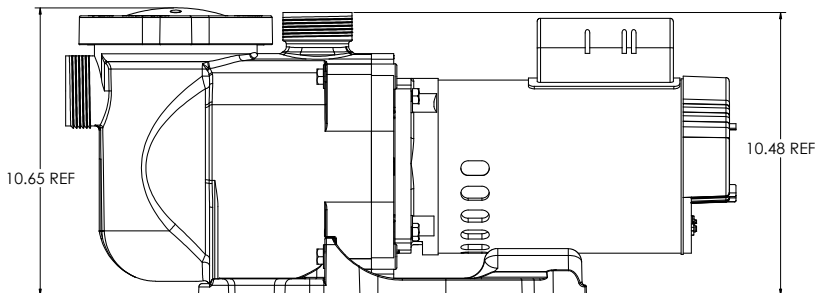
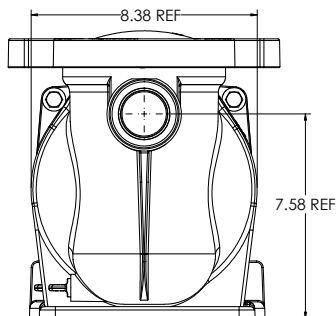
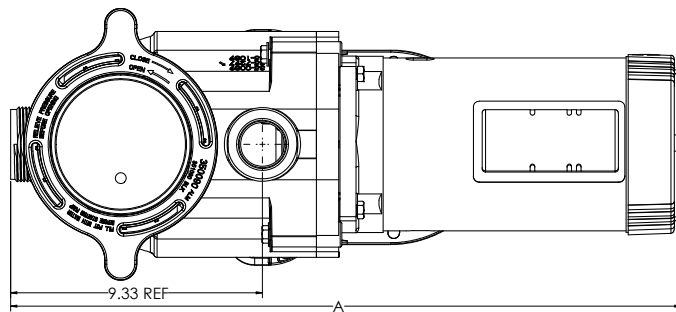
SUPERMAX[®]

HIGH PERFORMANCE PUMPS (CONT'D)

Dimensions and Performance



A- VARYING LENGTH			
HP	STD EFF	EE	1PH TEFC
.5	23.89	24.64	
.75	23.89	24.64	
1	23.89	24.64	22.00
1.5	24.27	24.89	22.45
2	25.89	25.39	22.9
2.5	25.89	25.89	



See page 533 for replacement parts.

DYNA-PRO®

SELF-PRIMING MEDIUM HEAD POOL/SPA PUMPS



TRADEGRADE



Dyna-Pro Pump

A rapid, self-priming, medium head pump in 1/2 through 2-1/2 HP with an extra large, integral hair and lint strainer. Precision-molded with Sta-Rite's innovative thermoplastic composite resin that is highly corrosion resistant.

Featured Highlights

- Superior hydraulic design delivers effortless performance and extended pump life
- High-capacity trap holds a large amount of debris for longer periods between cleanings
- The Cam and Ramp™ Lid is easy to remove and locks in place with a quarter turn, making inspection and cleaning a breeze
- Includes quick-disconnect plumbing unions for faster disassembly and easier service

CALIFORNIA PROPOSITION 65 WARNING

⚠ **WARNING:** Cancer and Reproductive Harm.
 ⚠ **AVERTISSEMENT:** Peut Causer le Cancer et des Dommages au Système Reproducteur.
 ⚠ **ADVERTENCIA:** Cáncer y Daño Reproductivo.
www.p65warnings.ca.gov

Ordering Information

Product	Voltage	Full. Load Amps	HP	SF	SFHP	Primary Listings and Certifications ⁴	Port Size (NPT)	Carton Wt. (Lbs.)	Curve Key	
EFFICIENT SINGLE SPEED FULL RATED										
MPE6C-204L	115/230	11.0/5.5	1/2	1.90	0.95	UL ¹ , NSF ² , APSP ³	2 in. x 2 in.	37	D	
MPE6D-205L	115/230	13.8/6.9	3/4	1.65	1.23	UL ¹ , NSF ²	2 in. x 2 in.	39	E	
MPE6E-206L	115/230	16.0/8.0	1	1.65	1.65	UL ¹ , NSF ²	2 in. x 2 in.	44	F	
MPE6F-207L	230	10.4	1-1/2	1.47	2.20	UL ¹ , NSF ²	2 in. x 2 in.	51	G	
MPE6G-208L	230	11.2	2	1.30	2.60	UL ¹ , NSF ²	2 in. x 2 in.	54	H	
EFFICIENT SINGLE SPEED UP RATED										
MPEA6D-204L	115/230	11.0/5.5	3/4	1.27	0.95	UL ¹ , NSF ² , APSP ³	2 in. x 2 in.	37	D	
MPEA6E-205L	115/230	13.8/6.9	1	1.25	1.25	UL ¹ , NSF ²	2 in. x 2 in.	39	E	
MPEA6F-206L	115/230	16.0/8.0	1-1/2	1.10	1.65	UL ¹ , NSF ²	2 in. x 2 in.	44	F	
MPEA6G-207L	230	10.4	2	1.10	2.20	UL ¹ , NSF ²	2 in. x 2 in.	51	G	
MPEAA6G-208L	230	11.2	2-1/2	1.04	2.60	UL ¹ , NSF ²	2 in. x 2 in.	54	H	
STANDARD SINGLE SPEED UP RATED										
MPRA6D-204L	115/230	13.4/6.7	3/4	1.27	0.95	UL ¹ , NSF ²	2 in. x 2 in.	35	D	
MPRA6E-205L	115/230	15.3/7.6	1	1.25	1.25	UL ¹ , NSF ²	2 in. x 2 in.	37	E	
MPRA6F-206L	115/230	19.2/9.6	1-1/2	1.10	1.65	UL ¹ , NSF ²	2 in. x 2 in.	42	F	
MPRA6G-207L	230	12.0	2	1.10	2.20	UL ¹ , NSF ²	2 in. x 2 in.	49	G	
EFFICIENT TWO SPEED 3450 RPM, LOW SPEED 1725 RPM UP RATED										
MPEA6YG-207L	230	10.1/3.7	2	1.10	2.20	UL ¹ , NSF ² , APSP ³	2 in. x 2 in.	53	B, G	
MPEAA6YG-208L	230	11.9/3.5	2-1/2	1.04	2.60	UL ¹ , NSF ² , APSP ³	2 in. x 2 in.	57	C, H	
STANDARD TWO SPEED 3450 RPM, LOW SPEED 1725 RPM UP RATED										
MPRA6YF-206L	230	9.2/2.5	1-1/2	1.10	1.65	UL ¹ , NSF ² , APSP ³	2 in. x 2 in.	45	A, F	
ACCESSORIES										
77703-0100	2 in. Union Half x 1-1/2 in. FPT – Package Of Two								1	
77703-0101	2 in. Union Half x 1-1/2 in. Slip – Package Of Two								1	
PKG 188Z	2 in. Union Half x 2 in. Slip – Package Of Two								1	
PKG 189	2 in. Union Half x 2 in. FPT – Package Of Two								1	
17350-0008	Rubber Pump Base Pad								1	

¹ 'UL' indicates that pump bears a specific UL mark signifying evaluation to U.S. Standards UL1081 for Permanently Connected Swimming Pool and Spa Pumps and to Canadian Standards CAN/CSA C22.2 No. 108-01 Liquid Pumps For Swimming Pools And Spas. (Enclosure 3).

² 'NSF' indicates that pump bears a mark signifying evaluation to NSF Standard 50 For Self-Priming Centrifugal Pumps For Swimming Pools, Spas and Hot Tubs.

³ 'APSP' Pump has been evaluated to ANSI/APSP/ICC-15 and California Title 20 and is certified to use on Residential Swimming Pool Filtration Systems.

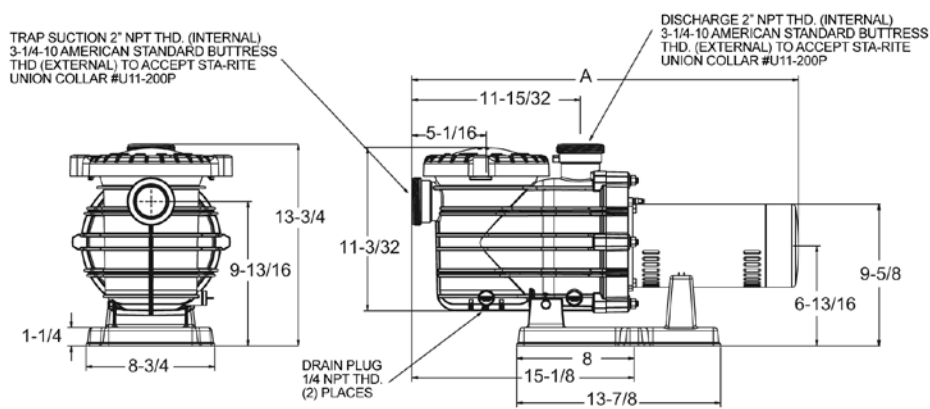
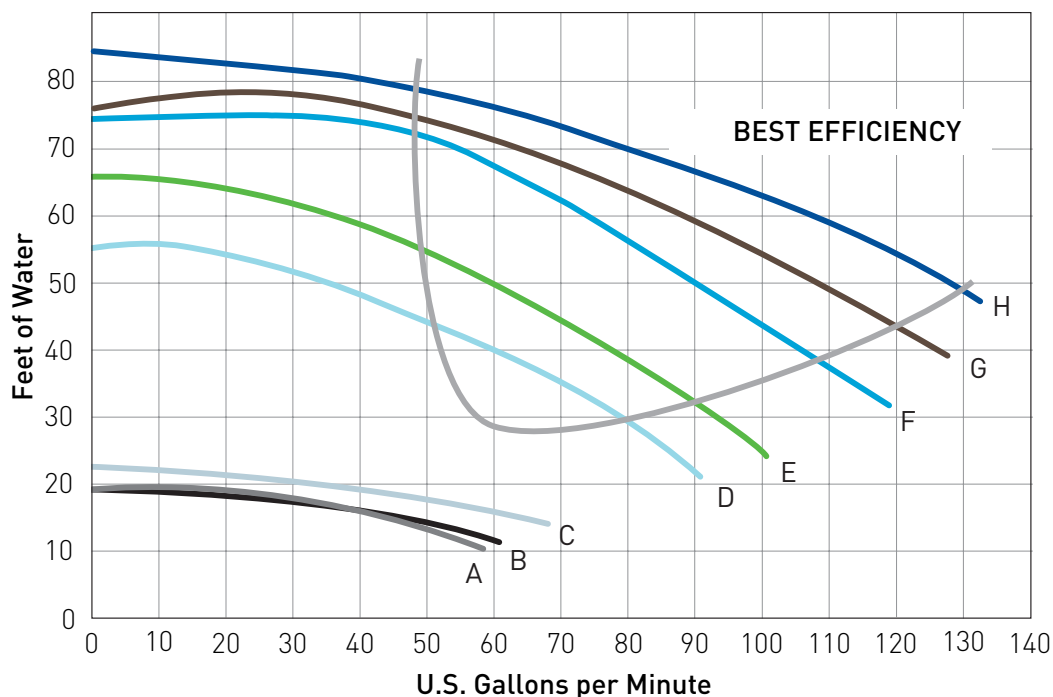
⁴ Product may have been evaluated to other state and local regulatory standards. Listing status may change. Always confirm status with appropriate agency if in doubt.

• **Pumps and replacement motors that are single speed and one (1) Total HP or greater cannot be sold, offered for sale, or installed in a residential pool for filtration use in California, Title 20 CCR sections 1601-1609.**

DYNA-PRO®

SELF-PRIMING MEDIUM HEAD POOL/SPA PUMPS

Dimensions and Performance



Catalog Number	Dimension "A"
MPRA6DL	25-1/8
MPRA6EL	25-1/2
MPRA6FL	26-1/2
MPRA6GL	27
MPRA6YFL	26-1/2
MPEA6DL	25-5/8
MPEA6EL	26
MPEA6FL	26-5/8
MPEA6GL	26-5/8
MPEAA6GL	27-1/4
MPEA6YGL	26-5/8
MPEAA6YGL	27-1/4

All dimensions shown in inches.

See page 534 for replacement parts.

DYNA-WAVE®

SELF-PRIMING LOW-HEAD WATER FEATURE PUMP



TRADEGRADE



Dyna-Wave Pump

The Dyna-Wave Water Feature pump is a self-priming low-head pump ideal for water feature applications such as small fountains, waterfalls, and garden/koj ponds. Quiet and efficient, this versatile pump is designed to work in those installations calling for little resistance and high flows.

Featured Highlights

- Typical Installation – Fountains, ponds, waterfalls
- Efficient – Provides up to 30 gallons a minute per amp (at 230V)
- Quality Construction – Durable wet-end constructed of Sta-Rite’s industry leading glass-reinforced composite resin
- Multiple Plumbing Options – 2 in. Ports include internal NPT threads and external threads for quick-connect unions. Unions available in 1-1/2 in. and 2 in. slip and NPT. Unions not included.
- Low Maintenance – Extra large trap basket holds more debris, which means less cleaning. The clear polycarbonate lid lets you see when it’s time to empty the basket
- Quiet – The hydraulically balanced design and low speed motor make the Dyna-Wave Water Feature pump the quietest pump of its kind in the market
- Self-Priming – Will prime up to 5 ft. above water level

CALIFORNIA PROPOSITION 65 WARNING
 ⚠️ **WARNING:** Cancer and Reproductive Harm.
 ⚠️ **AVERTISSEMENT:** Peut Causer le Cancer et des Dommages au Système Reproducteur.
 ⚠️ **ADVERTENCIA:** Cáncer y Daño Reproductivo.
www.p65warnings.ca.gov PK200174

Ordering Information

Product	Voltage	Full Load Amps	HP	SF	SFHP	Primary Listings and Certifications ³	Port Size (NPT)	Carton Wt. (Lbs.)
EFFICIENT SINGLE SPEED								
MPRA6B-202L	115/230	4.8/2.4	1/3	1.0	1/3	UL ¹ , NSF ²	2 in. x 2 in.	35
ACCESSORIES								
77703-0100	2 in. Union Half x 1-1/2 in. FPT – Package Of Two							1
77703-0101	2 in. Union Half x 1-1/2 in. Slip – Package Of Two							1
PKG 188Z	2 in. Union Half x 2 in. Slip – Package Of Two							1
PKG 189	2 in. Union Half x 2 in. FPT – Package Of Two							1
17350-0008	Rubber Pump Base Pad							1

¹ 'UL(1)' indicates that pump bears a specific UL mark signifying evaluation to U.S. Standards UL1081 for Permanently Connected Swimming Pool and Spa Pumps and to Canadian Standards CAN/CSA C22.2 No. 108-01 Liquid Pumps For Swimming Pools And Spas. (Enclosure 3).

² 'NSF' indicates that pump bears a mark signifying evaluation to NSF Standard 50 For Self-Priming Centrifugal Pumps For Swimming Pools, Spas and Hot Tubs.

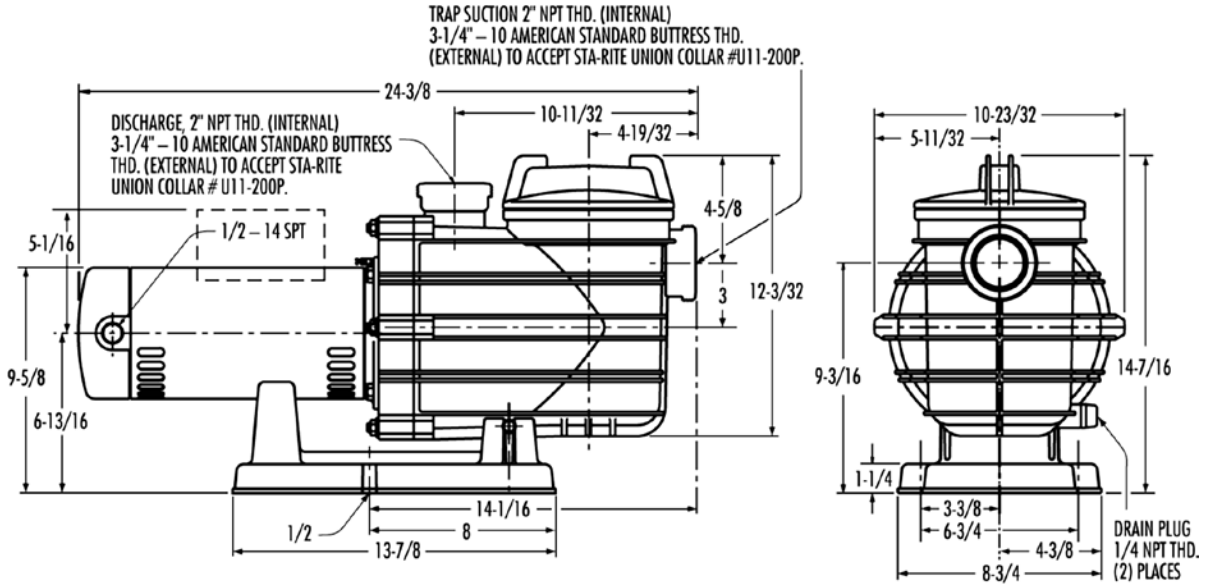
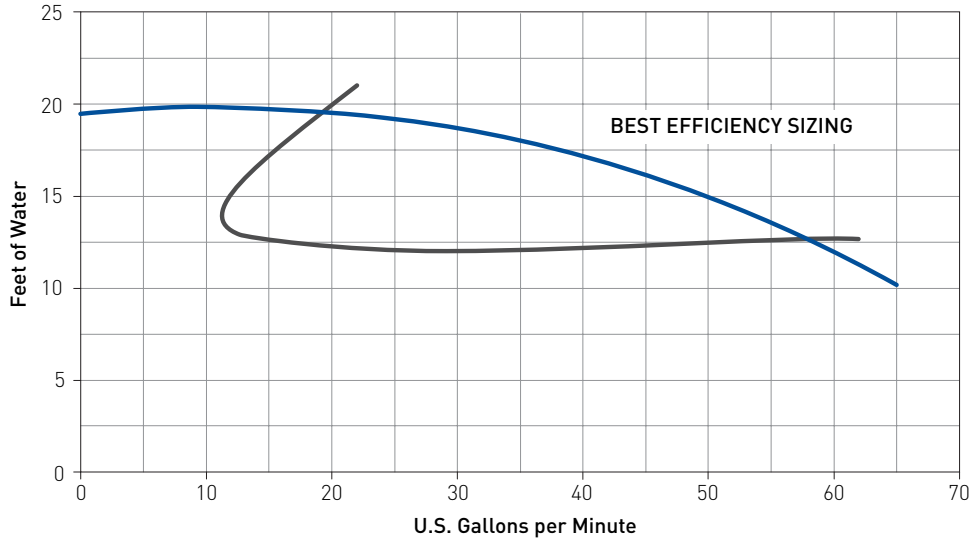
³ Product may have been evaluated to other state and local regulatory standards. Listing status may change. Always confirm status with appropriate agency if in doubt.

• **Pumps and replacement motors that are single speed and one (1) Total HP or greater cannot be sold, offered for sale, or installed in a residential pool for filtration use in California, Title 20 CCR sections 1601-1609.**

DYNA-WAVE[®]

SELF-PRIMING LOW-HEAD WATER FEATURE PUMP (CONT'D)

Dimensions and Performance



All dimensions shown in inches.

DYNA-JET™

SPA/WATER FEATURES PUMP TPE AND TPR SERIES



TRADEGRADE



Dyna-Jet Pump

Featured Highlights

- For residential/commercial use, indoor or outdoor installation
- A spa and water features pump in the Sta-Rite tradition of Dura-Glas® Pumps
- Precision-molded of a blend of glass-reinforced thermoplastic that is highly corrosion resistant
- Ideal pump where warm water service, high flow, and quiet operation are required

For residential/commercial use, indoor or outdoor installation. A spa and water features pump in the Sta-Rite tradition of Dura-Glas pumps. Precision-molded of a proprietary blend of glass-reinforced thermoplastic that is highly corrosion resistant. Ideal pump where warm water service, high flow, and quiet operation are required.

CALIFORNIA PROPOSITION 65 WARNING

⚠️ **WARNING:** Cancer and Reproductive Harm.
 ⚠️ **AVERTISSEMENT:** Peut Causer le Cancer et des Dommages au Système Reproducteur.
 ⚠️ **ADVERTENCIA:** Cáncer y Daño Reproductivo.

www.p65warnings.ca.gov. PN20271A

Ordering Information

Product	Voltage	Full Load Amps	HP	SF	SFHP	Primary Listings and Certifications ²	Port Size (NPT)	Carton Wt. (Lbs.)	Curve Key
EFFICIENT SINGLE SPEED									
TPEAE-165L	115/230	12.6/6.3	1	1.25	1.25	UL ¹	2 in. x 2 in.	35	H
TPEAF-166L	115/230	16.0/8.0	1-1/2	1.10	1.65	UL ¹	2 in. x 2 in.	37	F
TPEAG-167L	230	10.4	2	1.10	2.20	UL ¹	2 in. x 2 in.	41	C
TPEAAG-168L	230	11.2	2-1/2	1.04	2.60	UL ¹	2 in. x 2 in.	43	A
STANDARD SINGLE SPEED									
TPRAF-174L	115/230	19.2/9.6	1-1/2	1.10	1.65	UL ¹	2 in. x 2 in.	33	G
TPRAG-175L	230	12	2	1.10	2.20	UL ¹	2 in. x 2 in.	37	E
EFFICIENT TWO SPEED 3450 RPM, LOW SPEED 1725 RPM UP RATED									
TPEAYG-175L	230	10.0/3.0	2 / 1/4	1.10	2.20	UL ¹	2 in. x 2 in.	43	D, J
TPEAAYG-168L	230	11.3/3.3	2-1/2 / 1/3	1.04	2.60	UL ¹	2 in. x 2 in.	45	B, I
ACCESSORIES									
77703-0105	Union Package- 2 in. x 1-1/2 in.- Includes two 2 in. collars, O-Rings, one each 1-1/2 in. and 2 in. slip adapters								1
77703-0108	Union Package- 2 in. x 2 in.- Includes two 2 in. collars, O-Rings, two 2 in. slip adapters								1
38405-4094	2 in. PVC Union Collar								4 oz.
38405-4095	2 in. PVC Slip Union Adapter								2 oz
38405-4096	1-1/2 in. PVC Slip Union Adapter								2 oz
35505-1244	O-Ring								
17350-0008	Rubber Pump Base Pad								1

¹ 'UL(1)' indicates that pump bears a specific UL mark signifying evaluation to U.S. Standards UL1081 for Permanently Connected Swimming Pool and Spa Pumps and to Canadian Standards CAN/CSA C22.2 No. 108-01 Liquid Pumps For Swimming Pools And Spas. (Enclosure 3).

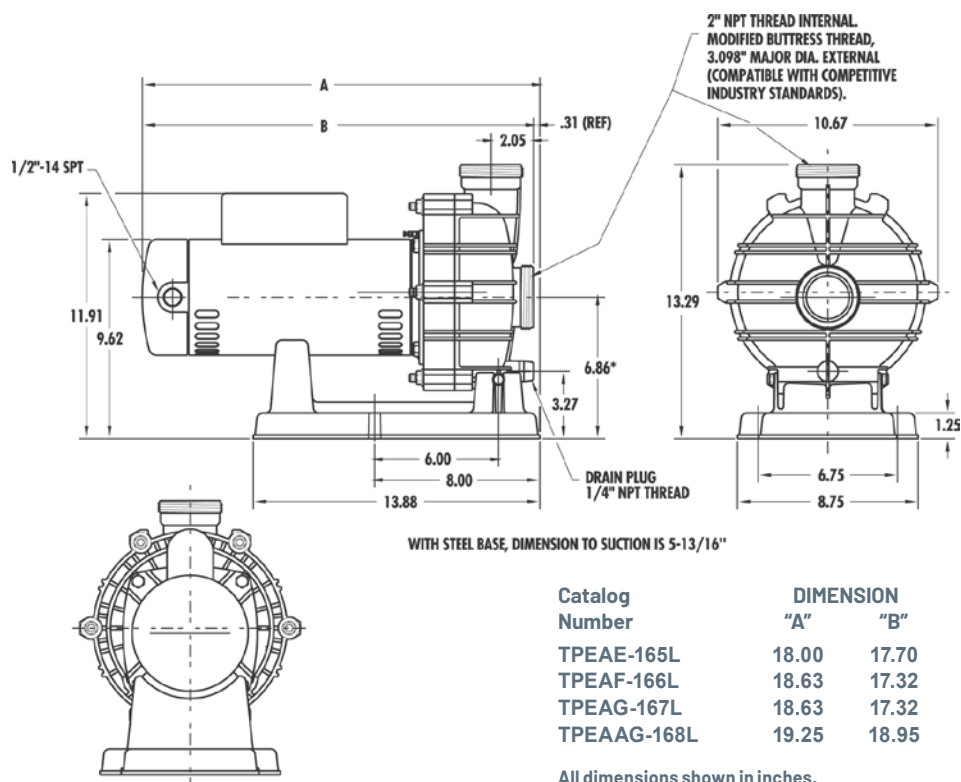
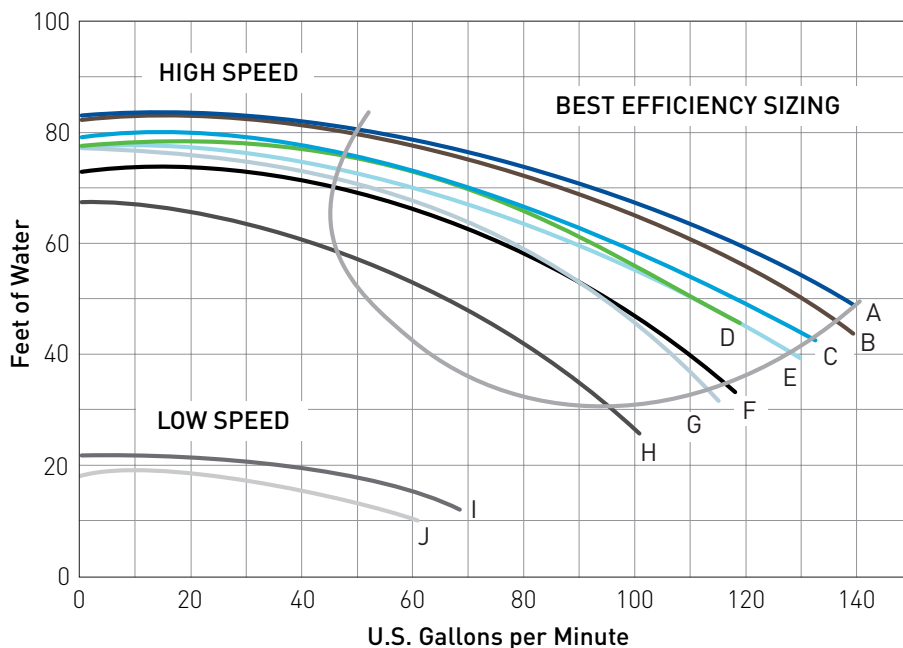
² Product may have been evaluated to other state and local regulatory standards. Listing status may change. Always confirm status with appropriate agency if in doubt.

- **Pumps and replacement motors that are single speed and one (1) Total HP or greater cannot be sold, offered for sale, or installed in a residential pool for filtration use in California, Title 20 CCR sections 1601-1609.**

DYNA-JET™

SPA/WATER FEATURES PUMP TPE AND TPR SERIES (CONT'D)

Dimensions and Performance



See page 555 for replacement parts.

DYNAMO® PUMP

FOR ABOVEGROUND POOLS



Dynamo Pump

All components are designed for performance and economy in an aboveground swimming pool pump.

Featured Highlights

- Self-priming design ensures long life
- Reinforced fiberglass for strength and durability
- Large capacity basket with see-through lid
- Diffuser and impeller for excellent flow rates
- Easy access drain plugs

CALIFORNIA PROPOSITION 65 WARNING

⚠ **WARNING:** Cancer and Reproductive Harm.
 ⚠ **AVERTISSEMENT:** Peut Causer le Cancer et des Dommages au Système Reproducteur.
 ⚠ **ADVERTENCIA:** Cáncer y Daño Reproductivo.
www.p65warnings.ca.gov

Ordering Information

Product	Model	Voltage	Full Load Amps	HP	Cord Length (Ft.)	Full Pipe Size	Carton Wt. (Lbs.)
SINGLE-SPEED WITH CORD							
340194	DYNII-N1- 3/4 HP	115V Only	9.2	3/4	3 ft. STD	1-1/2 in.	24
340314	DYNII-N1- 3/4 HP	115V Only	9.2	3/4	3 ft. TWL	1-1/2 in.	24
340197	DYNII-N1-1 HP	115V Only	12.0	1	3 ft. STD	1-1/2 in.	26
340316	DYNII-N1-1 HP	115V Only	12.0	1	3 ft. TWL	1-1/2 in.	26
340210	DYNII-N1-1-1/2 HP	115V Only	12.0	1-1/2	3 ft. STD	1-1/2 in.	26
351230	DYNII-N1-1-1/2 HP	115V Only	16.0	1-1/2	3 ft. STD	1-1/2 in.	26
347970	DYNII-N1-1-1/2 HP	115V Only	16.0	1-1/2	3 ft. TWL	1-1/2 in.	26
340219	DYNII-N1-2 HP	115V Only	16.0	2	3 ft. STD	1-1/2 in.	30
SINGLE-SPEED WITH CORD, BASE, AND ON/OFF SWITCH							
340288	DYNII-N1- 3/4 HP	115V Only	9.2	3/4	25 ft. STD	1-1/2 in.	29
340289	DYNII-N1-1 HP	115V Only	12.0	1	25 ft. STD	1-1/2 in.	31
340290	DYNII-N1-1-1/2 HP	115V/230V	16.0	1-1/2	25 ft. STD	1-1/2 in.	33
ONE-SPEED WITHOUT CORD							
340103	DYNII-N1- 3/4 HP	115V Only	9.2	3/4	N/A	1-1/2 in.	25
340104	DYNII-N1-1 HP	115V Only	12.0	1	N/A	1-1/2 in.	26
340106	DYNII-N1 1-1/2 HP	115/230V	16.0/8.0	1-1/2	N/A	1-1/2 in.	31
TWO-SPEED WITHOUT CORD							
340203	DYNII-N2- 3/4 HP	115V Only	8.8/2.6	3/4	N/A	1-1/2 in.	25
340204	DYNII-N2 1 HP	115V Only	11.0/2.9	1	N/A	1-1/2 in.	28
340206	DYNII-N2 1-1/2 HP	115V Only	16.4/4.4	1-1/2	N/A	1-1/2 in.	30
TWO-SPEED WITH CORD							
340060	DYNII-N2 - 1 HP	115V Only	11.0/2.9	1	3 ft. STD	1-1/2 in.	28
340062	DYNII-N2 - 1 HP	115V Only	11.0/2.9	1	3 ft. TWL	1-1/2 in.	28
340400	DYNII-N2 - 1 1/2 HP	115V Only	11.0/2.9	1-1/2	3 ft. STD	1-1/2 in.	28
340064	DYNII-N2 - 1 1/2 HP	115V Only	11.0/2.9	1-1/2	3 ft. TWL	1-1/2 in.	28
340542	DYNII-N2-1-1/2HP	115V Only	16.4/4.4	1-1/2	3 ft. TWL	1-1/2 in.	31
ACCESSORIES							
354113	Chemical Resistant Lid						

- Pumps and replacement motors that are single speed and one (1) Total HP or greater cannot be sold, offered for sale, or installed in a residential pool for filtration use in California, Title 20 CCR sections 1601-1609.

Note: TWL = Twist Lock Cord, STD = Standard Cord

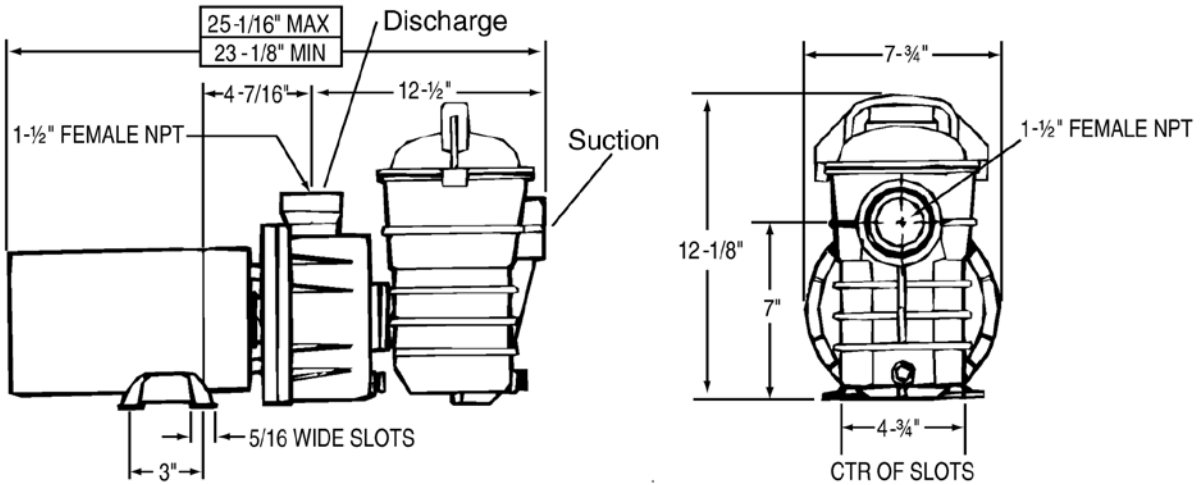
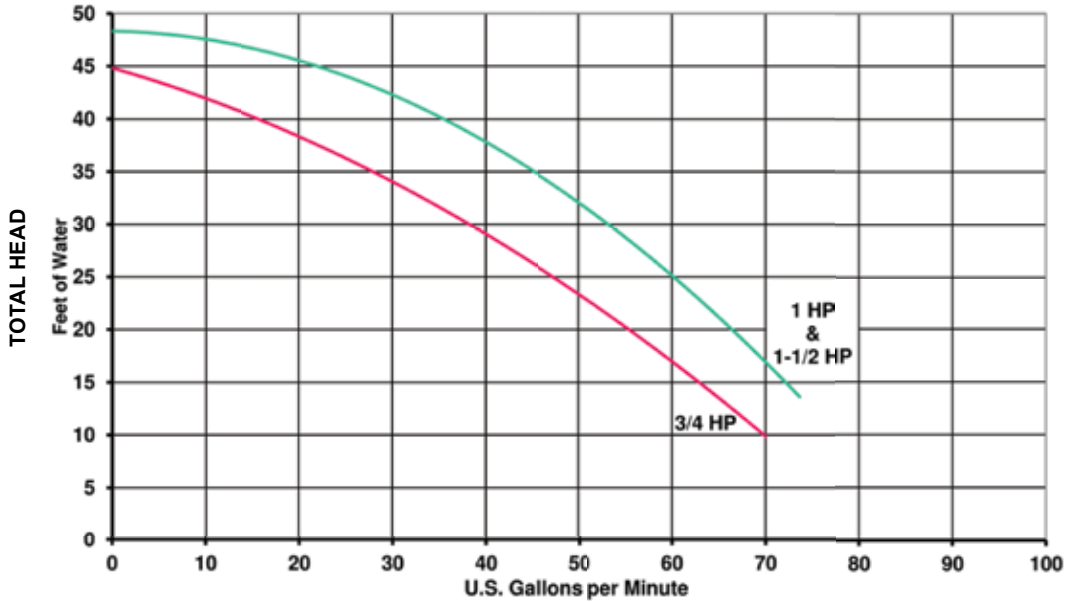
DYNAMO® PUMP

FOR ABOVEGROUND POOLS

Dimensions and Performance



**PUMP PERFORMANCE CURVE
DYNAMO PUMPS**



See page 536 for replacement parts.

OPTIFLO® PUMP

FOR ABOVEGROUND POOLS



OptiFlo Pump

OptiFlo pumps for aboveground pools feature a revolutionary design that delivers dependable high flow performance. The OptiFlo pump features a 48 frame-thru bolt motor, easy access to change the discharge port position, service the impeller, and an innovative Cam and Ramp lid. The OptiFlo pump is available with 3 ft. cord, with a twist lock or standard plug.

Featured Highlights

- Large strainer basket
- Cam and Ramp™ Lid lock
- See-through lid
- Unionized discharge port connection
- Easy to service
- User-friendly removable drain plugs
- Metal base on motor

CALIFORNIA PROPOSITION 65 WARNING

⚠ **WARNING:** Cancer and Reproductive Harm.
 ⚠ **AVERTISSEMENT:** Peut Causer le Cancer et des Dommages au Système Reproducteur.
 ⚠ **ADVERTENCIA:** Cáncer y Daño Reproductivo.
www.p65warnings.ca.gov

Ordering Information

Product	Discharge	Voltage	Full Load Amps	HP	Cord Length (Ft.)	Full Pipe Size	Carton Wt. (Lbs.)
CORDS W/ STANDARD PLUGS							
347981	Horizontal	115	9.2	3/4	3 ft. STD	1-1/2 in.	20
347984	Vertical	115	9.2	3/4	3 ft. STD	1-1/2 in.	20
347982	Horizontal	115	12	1	3 ft. STD	1-1/2 in.	22
347985	Vertical	115	12	1	3 ft. STD	1-1/2 in.	22
347983	Horizontal	115	16	1-1/2	3 ft. STD	1-1/2 in.	24
347986	Vertical	115	16	1-1/2	3 ft. STD	1-1/2 in.	24
340078	Horizontal	115	16	2	3 ft. STD	1-1/2 in.	24
CORDS W/ TWIST LOCK PLUGS							
340066	Horizontal	115	9.2	3/4	3 ft. TWL	1-1/2 in.	20
340065	Vertical	115	9.2	3/4	3 ft. TWL	1-1/2 in.	20
347988	Horizontal	115	12	1	3 ft. TWL	1-1/2 in.	22
347987	Vertical	115	12	1	3 ft. TWL	1-1/2 in.	22
347989	Horizontal	115	16	1-1/2	3 ft. TWL	1-1/2 in.	24
340067	Vertical	115	16	1-1/2	3 ft. TWL	1-1/2 in.	24
340069	Horizontal	115	16	2	3 ft. TWL	1-1/2 in.	24
TWO SPEED MOTORS							
347991	Horizontal	115	11.0/2.9	1	3 ft. STD	1-1/2 in.	22
347990	Vertical	115	11.0/2.9	1	3 ft. STD	1-1/2 in.	22
340071	Horizontal	115	11.0/2.9	1	3 ft. TWL	1-1/2 in.	22
340070	Vertical	115	11.0/2.9	1	3 ft. TWL	1-1/2 in.	22
340079	Horizontal	115	16.4/4.4	1-1/2	3 ft. STD	1-1/2 in.	24
347992	Vertical	115	16.4/4.4	1-1/2	3 ft. STD	1-1/2 in.	24
340073	Horizontal	115	16.4/4.4	1-1/2	3 ft. TWL	1-1/2 in.	24
340072	Vertical	115	16.4/4.4	1-1/2	3 ft. TWL	1-1/2 in.	24
340077	Horizontal	115	16.4/4.4	2	3 ft. STD	1-1/2 in.	24
340076	Horizontal	115	16.4/4.4	2	3 ft. TWL	1-1/2 in.	24

OPTIFLO® PUMP

FOR ABOVEGROUND POOLS (CONT'D)

Product	Discharge	Voltage	Full Load Amps	HP	Cord Length (Ft.)	Full Pipe Size	Carton Wt. (Lbs.)
CSA WITH 25 FOOT CORD							
347993	Horizontal	115	9.2	3/4	25 ft. STD	1-1/2 in.	20
347996	Vertical	115	9.4	3/4	25 ft. STD	1-1/2 in.	20
347994	Horizontal	115	12.0	1	25 ft. STD	1-1/2 in.	22
347997	Vertical	115	12.0	1	25 ft. STD	1-1/2 in.	22
347995	Horizontal	115/230	16.0	1-1/2	25 ft. STD	1-1/2 in.	24
347998	Vertical	115/230	16.0	1-1/2	25 ft. STD	1-1/2 in.	24
60 Hz MOTORS WITHOUT CORD AND SWITCH							
340088	Vertical	230	4.6	3/4	N/A	1-1/2 in.	20
340089	Vertical	230	6.0	1	N/A	1-1/2 in.	22
340090	Vertical	230	8.0	1-1/2	N/A	1-1/2 in.	24
50 Hz MOTORS WITHOUT CORD AND SWITCH							
340056	Vertical	230	5.0	3/4	N/A	1-1/2 in.	20
340057	Vertical	230	6.2	1	N/A	1-1/2 in.	22
340058	Vertical	230	7.8	1-1/2	N/A	1-1/2 in.	24

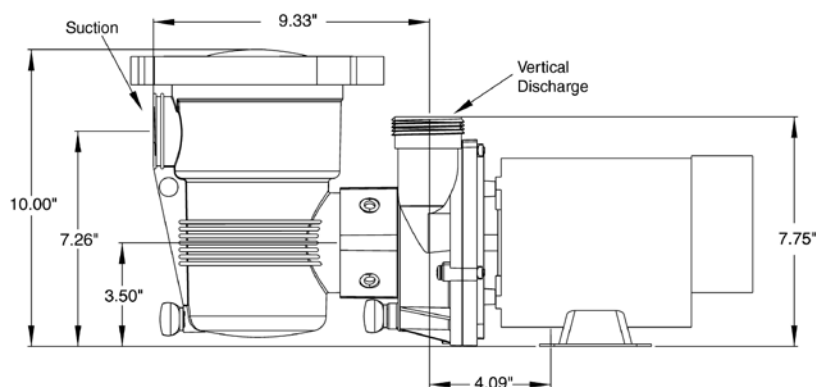
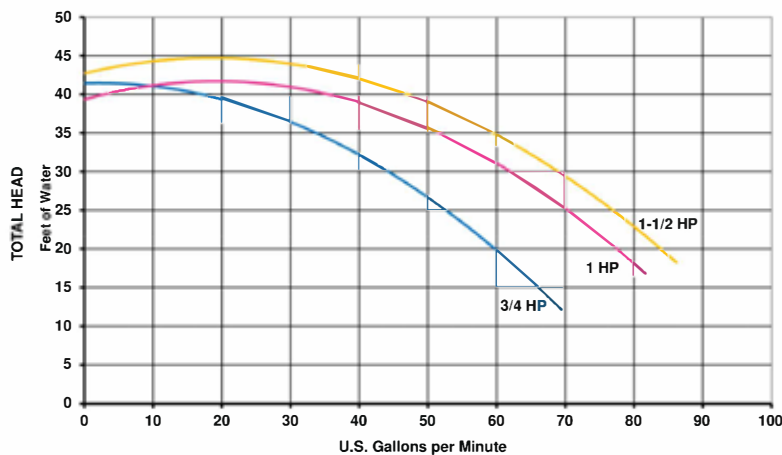
- Pumps and replacement motors that are single speed and one (1) Total HP or greater cannot be sold, offered for sale, or installed in a residential pool for filtration use in California, Title 20 CCR sections 1601-1609.

Note: TWL = Twist Lock Cord, STD = Standard Cord

Dimensions and Performance



PUMP PERFORMANCE CURVE
115 VAC 60 Hz



See page 535 for replacement parts.

STA-RITE® DYNAMO® PUMP

FOR ABOVEGROUND POOLS



Sta-Rite
Dynamo
Aboveground
Pool Pump

Sta-Rite Dynamo pump has exceptionally quiet operation and high-flow performance. Constructed of Sta-Rite's rugged thermoplastic resin. Large-capacity trap and an all-weather, smooth-running motor.

Featured Highlights

- Typical Installation – Ideal for aboveground pool
- Years of Service – Stands tough against temperature and weather extremes
- High-Flow – Designed to move large amounts of water at lower restrictions
- External Threads – Discharge port features external threads for quick-connect unions

CALIFORNIA PROPOSITION 65 WARNING

⚠ **WARNING:** Cancer and Reproductive Harm.
 ⚠ **AVERTISSEMENT:** Peut Causer le Cancer et des Dommages au Système Reproducteur.
 ⚠ **ADVERTENCIA:** Cáncer y Daño Reproductivo.
www.p65warnings.ca.gov

Ordering Information

Product	Motor Voltage	Nominal HP	Load Amps	Full Pipe Size	Carton Wt. (Lbs.)
SINGLE SPEED WITH 3 FT. STANDARD CORD					
351233SR	115	1/2	9.2	1-1/2 in.	24
340194SR	115	3/4	9.2	1-1/2 in.	24
340197SR	115	1	12.0	1-1/2 in.	26
340210SR	115	1-1/2	12.0	1-1/2 in.	26
351230SR	115	1-1/2	16.0	1-1/2 in.	26
340219SR	115	2	16.0	1-1/2 in.	26
SINGLE SPEED WITH 3 FT. TWIST LOCK CORD					
340314SR	115	3/4	9.2	1-1/2 in.	24
340316SR	115	1	12.0	1-1/2 in.	27
347970SR	115	1-1/2	16.0	1-1/2 in.	30
SINGLE SPEED WITHOUT CORD					
340103SR	115	3/4	9.2	1-1/2 in.	25
340104SR	115	1	12.0	1-1/2 in.	26
340106SR	115/230	1-1/2	16.0	1-1/2 in.	31
SINGLE SPEED WITH 25 FT. STANDARD CORD					
340288SR	115	3/4	9.2	1-1/2 in.	29
340289SR	115	1	12.0	1-1/2 in.	31
340290SR	115/230	1-1/2	16.0	1-1/2 in.	33
TWO SPEED WITH 3 FT. STANDARD CORD					
340207SR	115	3/4	8.8/2.6	1-1/2 in.	26
340060SR	115	1	11.0/2.9	1-1/2 in.	29
340400SR	115	1-1/2	11.0/2.9	1-1/2 in.	29
TWO SPEED WITH 3 FT. TWIST LOCK CORD					
340209SR	115	3/4	8.8/2.6	1-1/2 in.	26
340062SR	115	1	11.0/2.9	1-1/2 in.	29
340542SR	115	1-1/2	16.4/4.4	1-1/2 in.	31
50 Hz MOTORS WITHOUT CORD AND SWITCH					
340119SR	230	3/4	5.0	1-1/2 in.	25
340175SR	230	1	6.2	1-1/2 in.	26
345550SR	230	1-1/2	7.8	1-1/2 in.	31
ACCESSORIES					
354113	Chemical Resistant Lid				

- Pumps and replacement motors that are single speed and one (1) Total HP or greater cannot be sold, offered for sale, or installed in a residential pool for filtration use in California, Title 20 CCR sections 1601-1609.

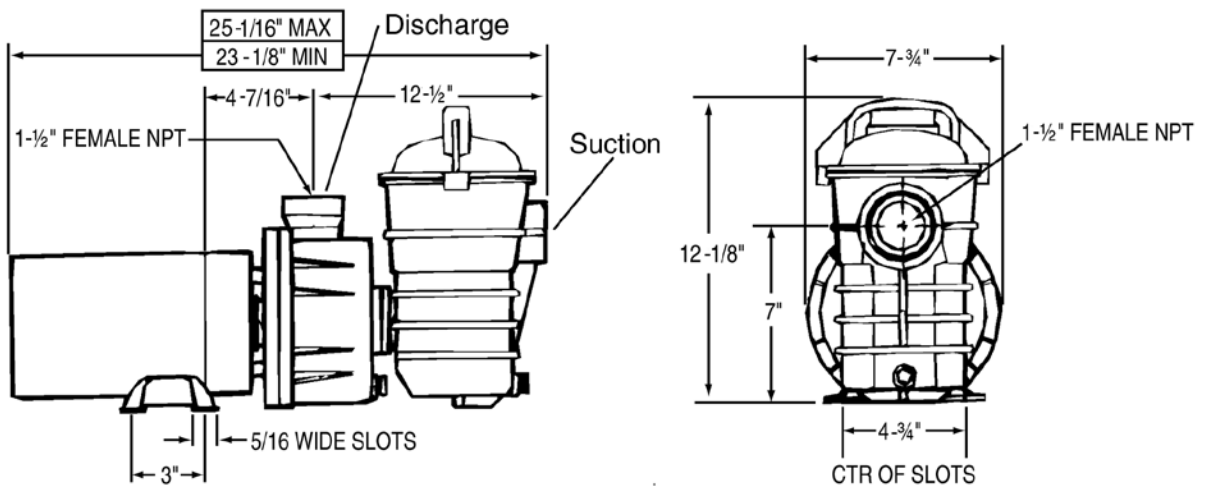
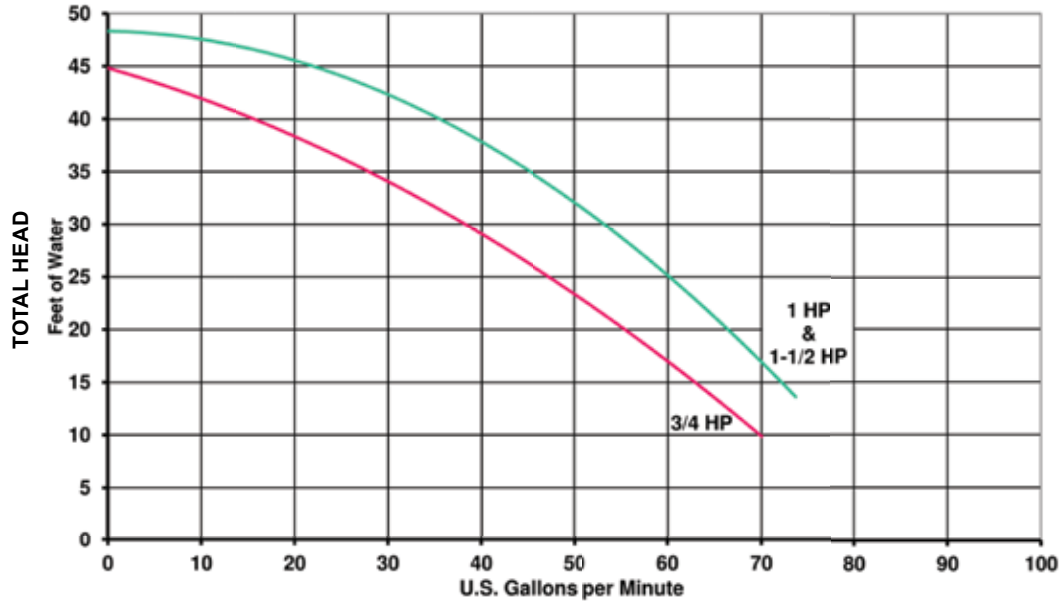
STA-RITE® DYNAMO® PUMP

FOR ABOVEGROUND POOLS (CONT'D)

Dimensions and Performance



**PUMP PERFORMANCE CURVE
DYNAMO PUMPS**



See pages 536 for replacement parts.

STA-RITE® OPTIFLO® PUMP

FOR ABOVEGROUND POOLS



Sta-Rite OptiFlo Pool Pump

Sta-Rite OptiFlo Pump has exceptionally quiet operation and high-flow performance. Constructed of Sta-Rite's rugged thermoplastic resin. Large 5-1/2 in. capacity trap and an all-weather, smooth-running motor.

Featured Highlights

- User-friendly removable drain plugs
- Cam and Ramp™ Lid lock
- Typical Installation – Ideal for aboveground pools
- Years of Service – Stands tough against temperature and weather extremes
- External Threads – Discharge port features external threads for quick-connect unions

CALIFORNIA PROPOSITION 65 WARNING

⚠ **WARNING:** Cancer and Reproductive Harm.
 ⚠ **AVERTISSEMENT:** Peut Causer le Cancer et des Dommages au Système Reproducteur.
 ⚠ **ADVERTENCIA:** Cáncer y Daño Reproductivo.
www.p65warnings.ca.gov

Ordering Information

Product	Discharge	Motor Voltage	Nominal HP	Load Amps	Full Pipe Size	Carton Wt. (Lbs.)
SINGLE SPEED WITH 3 FT. STANDARD CORD						
347981SR	Horiz.	115	3/4	9.2	1-1/2 in.	20
347982SR	Horiz.	115	1	12.0	1-1/2 in.	22
347983SR	Horiz.	115	1-1/2	16.0	1-1/2 in.	24
SINGLE SPEED WITH 3 FT. TWIST LOCK CORD						
340066SR	Horiz.	115	3/4	9.2	1-1/2 in.	20
347988SR	Horiz.	115	1	12.0	1-1/2 in.	22
347989SR	Horiz.	115	1-1/2	16.0	1-1/2 in.	24
SINGLE SPEED WITH 25 FT. STANDARD CORD						
347993SR	Horiz.	115	3/4	9.2	1-1/2 in.	20
347994SR	Horiz.	115	1	12.0	1-1/2 in.	22
347995SR	Horiz.	115/230	1-1/2	16.0	1-1/2 in.	24
TWO SPEED WITH 3 FT. STANDARD CORD						
347991SR	Horiz.	115	1	11.0/2.9	1-1/2 in.	22
340079SR	Horiz.	115	1-1/2	16.4/4.4	1-1/2 in.	24
TWO SPEED WITH 3 FT. TWIST LOCK CORD						
340071SR	Horiz.	115	1	11.0/2.9	1-1/2 in.	22
340073SR	Horiz.	115	1-1/2	16.4/4.4	1-1/2 in.	24
50 Hz MOTORS WITHOUT CORD AND SWITCH						
340056SR	Vert.	230	3/4	5.0	1-1/2 in.	20
340057SR	Vert.	230	1	6.2	1-1/2 in.	22
340058SR	Vert.	230	1-1/2	7.8	1-1/2 in.	24

- Pumps and replacement motors that are single speed and one (1) Total HP or greater cannot be sold, offered for sale, or installed in a residential pool for filtration use in California, Title 20 CCR sections 1601-1609.

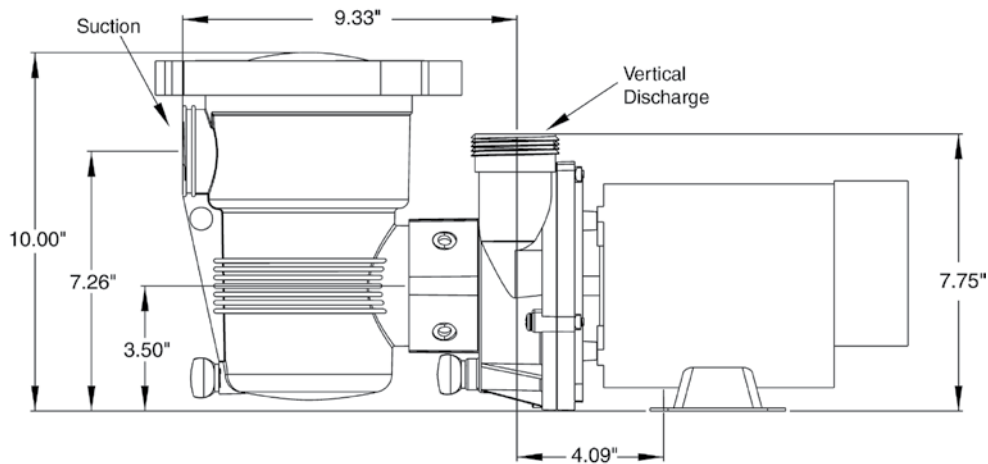
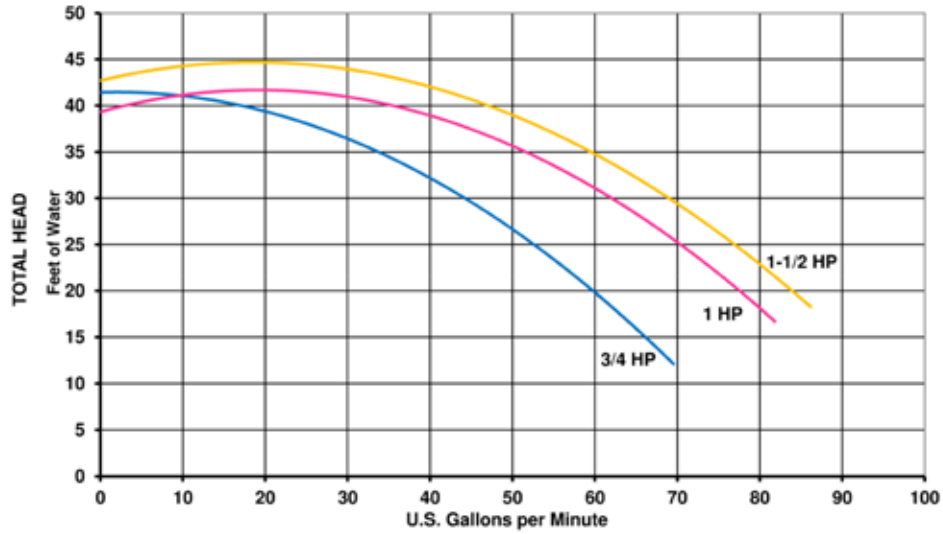
STA-RITE® OPTIFLO® PUMP

FOR ABOVEGROUND POOLS (CONT'D)

Dimensions and Performance



PUMP PERFORMANCE CURVE
OptiFlo PUMPS



See page 535 for replacement parts.

WHISPERFLOXF[®] VS COMMERCIAL VARIABLE SPEED PUMP



WhisperFloXF VS Pump



Featured Highlights

- Integrated 5HP motor/drive; no expensive external drive required
- Versatile power input capability; runs off a wide range of single- or three-phase power
- Speed or flow control for maximum efficiency and pool performance*
- External control capability through automation systems or relays
- Intuitive programming and operation
- Meets commercial codes and agency requirements
- WEF 5.0 THP 5.0

The first variable speed pump that runs on single-phase or three-phase power. It's economical, combined motor/drive solution for HMAc (hotel, motel, apartment, condominium) or large residential installations, providing sophisticated, energy-saving pump technology without the high costs typically associated with independent pump/external drive setups.

Ordering Information

Product	Model	Voltage	Full Load Amps	HP	SF	SFHP	FREQ	Primary Listings and Certifications ⁴	Port Size (NPT)
WHISPERFLOXF VS COMMERCIAL PUMP									
022035	WhisperFloXF VS	Single-Phase: 208-230/277-460 Three-Phase : 208-230/460	Single-Phase: 20-21/17-11 Three-Phase : 13-6	5	1.0	5.0	50/60HZ	UL, NSF	2.5" x 2.5" or 3.0" x 3.0"
									Carton Wt. (Lbs.)
									95

*When connected to Pentair's inline 4-20mA flowmeter for 3" plumbing (P/N 97014-4203KIT—sold separately), or similar 4-20mA flowmeters, this pump is capable of maintaining a constant flow based on the needs of your pool system. To connect the flowmeter and pump, the digital input cable provided in the External Control Wiring Kit (P/N 353129Z— sold separately) is required.

CALIFORNIA PROPOSITION 65 WARNING

▲ **WARNING:** Cancer and Reproductive Harm.
▲ **AVERTISSEMENT:** Peut Causer le Cancer et des Dommages au Système Reproducteur.
▲ **ADVERTENCIA:** Cáncer y Daño Reproductivo.
www.p65warnings.ca.gov

¹ 'UL' indicates that pump bears a UL mark signifying evaluation to U.S. Standards UL1081 for Permanently Connected Swimming Pool and Spa Pumps and to Canadian Standards CAN/CSA C22.2 No. 108-01 Liquid Pumps For Swimming Pools Only (Enclosure 3).

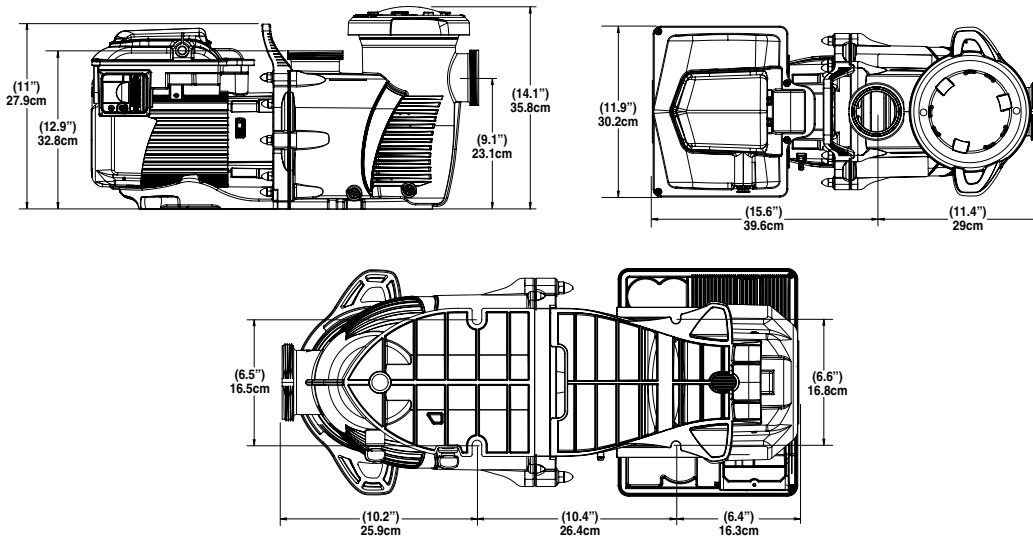
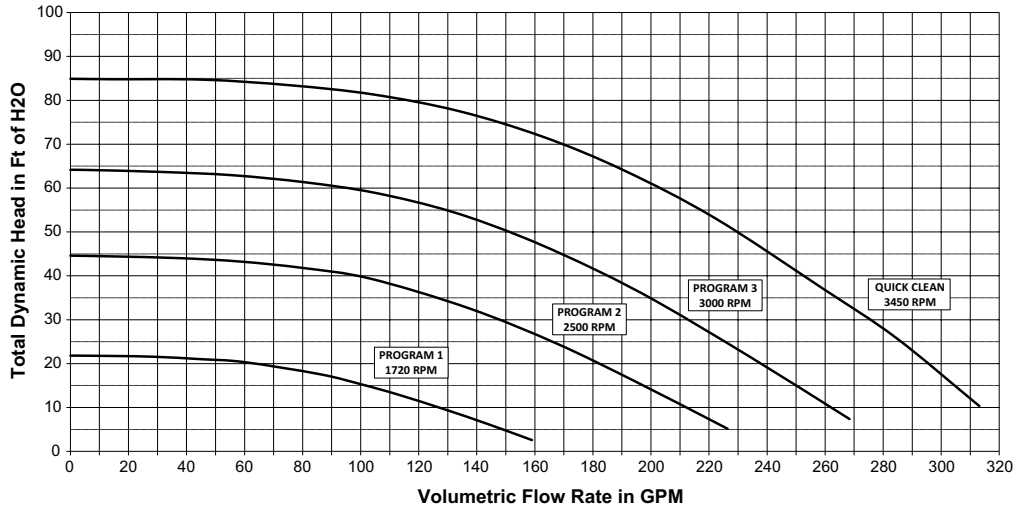
² 'NSF' indicates that pump bears a mark signifying evaluation to NSF Standard 50 For Self-Priming Centrifugal Pumps For Swimming Pools, Spas and Hot Tubs.

³ 'APSP' Pump has been evaluated to ANSI/APSP/ICC-15 and California Title 20 and is certified to use on Residential Swimming Pool Filtration Systems.

⁴ Product may have been evaluated to other state and local regulatory standards. Listing status may change. Always confirm status with appropriate agency if in doubt.

WHISPERFLOXF VS COMMERCIAL VARIABLE SPEED PUMP (CONT'D)

Dimensions and Performance



See page 537 for replacement parts.

MAX-E-PROXF[®] VS COMMERCIAL VARIABLE SPEED PUMP



Max-E-ProXF VS Pump



Featured Highlights

- Integrated 5HP motor/drive; no expensive external drive required
- Versatile power input capability; runs off a wide range of single- or three-phase power
- Speed or flow control for maximum efficiency and pool performance*
- External control capability through automation systems or relays
- Intuitive programming and operation
- Meets commercial codes and agency requirements
- WEF 5.0 THP 5.0

The first variable speed pump that runs on single-phase or three-phase power. It's economical, combined motor/drive solution for HMAC (hotel, motel, apartment, condominium) or large residential installations, providing sophisticated, energy-saving pump technology without the high costs typically associated with independent pump/external drive setups.

Ordering Information

Product	Model	Voltage	Full Load Amps	HP	SF	SFHP	FREQ	Primary Listings and Certifications ⁴	Port Size (NPT)
MAX-E-PROXF VS COMMERCIAL PUMP									
023035	Max-E-ProXF VS	Single-Phase: 208-230/277-460 Three-Phase : 208-230/460	Single-Phase: 20-21/17-11 Three-Phase : 13-6	5	1.0	5.0	50/60HZ	UL, NSF	2.5" x 2.5" or 3.0" x 3.0"
									Carton Wt. (Lbs.)
									95

*When connected to Pentair's inline 4-20mA flowmeter for 3" plumbing (P/N 97014-4203KIT--sold separately), or similar 4-20mA flowmeters, this pump is capable of maintaining a constant flow based on the needs of your pool system. To connect the flowmeter and pump, the digital input cable provided in the External Control Wiring Kit (P/N 353129Z-- sold separately) is required.

CALIFORNIA PROPOSITION 65 WARNING

▲ **WARNING:** Cancer and Reproductive Harm.
▲ **AVERTISSEMENT:** Peut Causer le Cancer et des Dommages au Système Reproducteur.
▲ **ADVERTENCIA:** Cáncer y Daño Reproductivo.

www.p65warnings.ca.gov
P630714

¹ 'UL' indicates that pump bears a UL mark signifying evaluation to U.S. Standards UL1081 for Permanently Connected Swimming Pool and Spa Pumps and to Canadian Standards CAN/CSA C22.2 No. 108-01 Liquid Pumps For Swimming Pools Only (Enclosure 3).

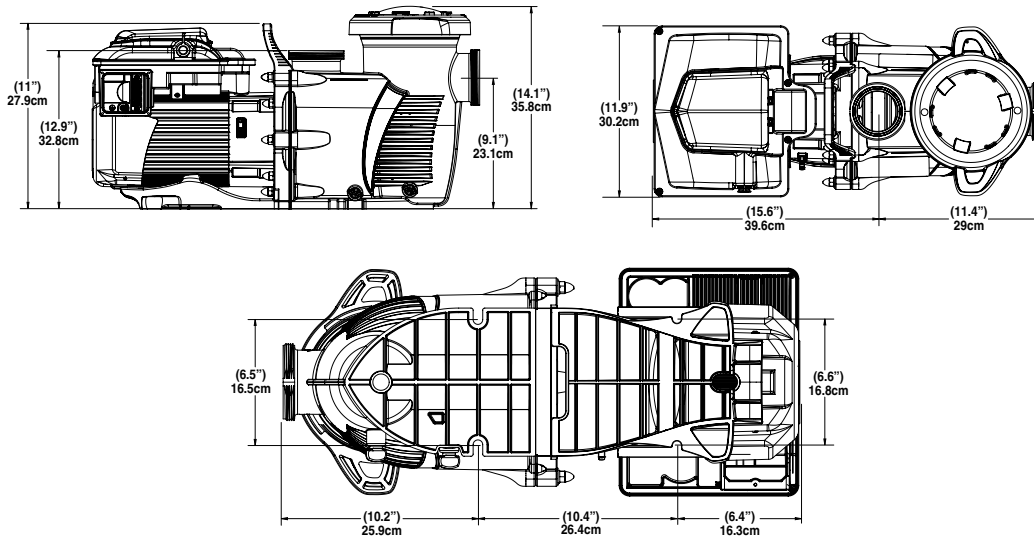
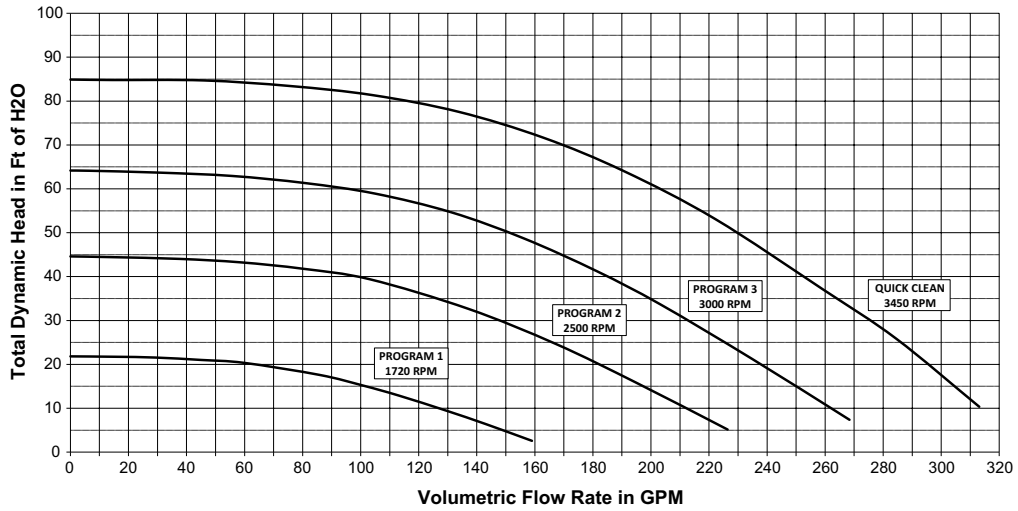
² 'NSF' indicates that pump bears a mark signifying evaluation to NSF Standard 50 For Self-Priming Centrifugal Pumps For Swimming Pools, Spas and Hot Tubs.

³ 'APSP' Pump has been evaluated to ANSI/APSP/ICC-15 and California Title 20 and is certified to use on Residential Swimming Pool Filtration Systems.

⁴ Product may have been evaluated to other state and local regulatory standards. Listing status may change. Always confirm status with appropriate agency if in doubt.

MAX-E-PROXF VS COMMERCIAL VARIABLE SPEED PUMP (CONT'D)

Dimensions and Performance



See page 538 for replacement parts.

COMMERCIAL ACU DRIVE™ XS

VARIABLE FREQUENCY DRIVE



Featured Highlights

- Save up to 60% or more on pump's electricity usage
- "Right-size" your pump to the exact flow required
- Saves energy with constant flow as the filters get dirty (with optional flow sensor)
- Off-hour flow management capability
- Does not blow corrosive filter-room air across the circuitry
- High efficiency up to 98% – adjusts drive input voltage for best efficiency point
- Eliminates need for motor starters
- Integrated disconnects, fusing and optional bypasses
- 2-step ramps (Soft Start Feature)
- Real-time clock for time based functions
- Great match for 3-phase models of EQ Series® Pumps
- Overload trip protection protects motor and Acu Drive XS VF Drive from Voltage Spikes and phase unbalance
- Can connect to an IntelliTouch® Automation System
- 3-year manufacturers warranty, Optional 6-year warranty available
- Start-up included with every drive (technical training option available)
- Indoor & Outdoor-rated enclosures
- One drive type for the full power range
- For use with 3 phase pumps only
- Acu Drive XS VF Drives with single phase input power available

The Acu Drive XS VF Drive offers built-in intelligence for increased performance in all aquatic pump applications. Specified to save money, energy and time, the Acu Drive XS VF Drive offers very fast return on investment. The Acu Drive XS VF Drive allows the pump to run at its most efficient point on the curve. Preventative maintenance costs will drop due to motor protection, motor soft start, and a significant decrease in water hammer protecting the shaft and impeller. Up to an additional 5% savings due to the Acu Drive XS VF Drive's ability to balance power phase and harmonic suppression. Built with powerful standard and optional features specifically designed for energy optimization, the Acu Drive XS VF Drive is perfectly matched with the full line of Pentair Commercial pumps.

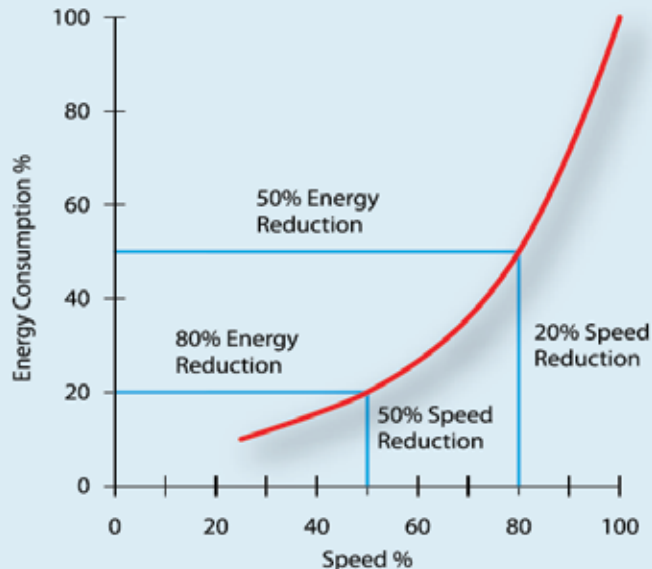
CALIFORNIA PROPOSITION 65 WARNING
 ⚠️ **WARNING:** Cancer and Reproductive Harm.
 ⚠️ **AVERTISSEMENT:** Peut Causer le Cancer et des Dommages au Système Reproducteur.
 ⚠️ **ADVERTENCIA:** Cáncer y Daño Reproductivo.
www.p65warnings.ca.gov PH202114



Affinity Law

Significant Energy Savings are achieved with even a modest reduction in speed

Ideal Energy Consumption at Varying Speed



COMMERCIAL ACU DRIVE™ XS

VARIABLE FREQUENCY DRIVE (CONT'D)

Ordering Information

3 PHASE INCLUDES FUSED DISCONNECT, ON-SITE START-UP* AND BATTERY BACK-UP						
Horse Power (HP)	NEMA RATED 1 (IP 20/21)			NEMA RATED 12 (IP 54/55)		
	200-240 VAC	360-480 VAC	525-600 VAC	200-240 VAC	360-480 VAC	525-600 VAC
3	AD030-2303-N01	AD030-4603-N01	AD030-5753-N01	AD030-2303-N12	AD030-4603-N12	AD030-5753-N12
5	AD050-2303-N01	AD050-4603-N01	AD050-5753-N01	AD050-2303-N12	AD050-4603-N12	AD050-5753-N12
7-1/2	AD075-2303-N01	AD075-4603-N01	AD075-5753-N01	AD075-2303-N12	AD075-4603-N12	AD075-5753-N12
10	AD100-2303-N01	AD100-4603-N01	AD100-5753-N01	AD100-2303-N12	AD100-4603-N12	AD100-5753-N12
15	AD150-2303-N01	AD150-4603-N01	AD150-5753-N01	AD150-2303-N12	AD150-4603-N12	AD150-5753-N12
20	AD200-2303-N01	AD200-4603-N01	AD200-5753-N01	AD200-2303-N12	AD200-4603-N12	AD200-5753-N12
SINGLE PHASE INPUT DRIVES (FOR USE WITH 3 PHASE PUMPS ONLY) INCLUDES DISCONNECT ONLY (NO FUSES) ON-SITE START-UP* AND BATTERY BACK-UP						
Horse Power (HP)	NEMA RATED 1 (IP 20/21)		NEMA RATED 12 (IP 54/55)			
	200-240 VAC		200-240 VAC			
3	AD030-2301-N01		AD030-2301-N12			
5	AD050-2301-N01		AD050-2301-N12			
7-1/2	AD075-2301-N01		AD075-2301-N12			
10	AD100-2301-N01		AD100-2301-N12			
15-20	AD200-2301-N01		AD200-2301-N12			

For 25 HP and higher and Nema 4 options - Please contact factory.

Optional Accessories and Warranties

ACU DRIVE VF DRIVE FLOW SENSOR KITS WITH INTEGRAL 4-20 OUTPUT SIGNAL, INCLUDES PVC CLAMP-ON SADDLE FOR DISPLAY ON ACU-DRIVE ONLY (DOES NOT INCLUDE SEPARATE WALL-MOUNT DISPLAY)	
Product	Description
97014-4203KIT	3 in. Flow sensor kit with 4-20 output
97014-4204KIT	4 in. Flow sensor kit with 4-20 output
97016-4206KIT	6 in. Flow sensor kit with 4-20 output
97016-4208KIT	8 in. Flow sensor kit with 4-20 output

ENHANCED SERVICE WARRANTY - ON-SITE* INCLUDES PARTS, LABOR, TRAVEL AND ON-SITE WARRANTY REPAIR. USE PRODUCT NUMBERS AS FOLLOWS:				
DURATION	208-230 Volts		380-690 Volts	
	3 HP & Below	5-25 HP	10 HP & Below	15-40 HP
6 YEAR	AD-EWW172	AD-EWW272	AD-EWW172	AD-EWW272

* Additional charges will apply if on-site start-up exceeds four hours (including round-trip travel) per Acu Drive VF Drive.

Other options and add-ons are available including Nema Rated 4X (IP66) enclosure, "Fused Bypass" upgrade, and additional on-site technical training. For more information on these options, other sizes, or applications assistance call 1-800-831-7133.

Some pump motors (e.g. 230/460V versions) can be wired to accommodate multiple voltages. This is not true of VFDs. In order to ensure proper VFD selection, the actual pump motor input voltage must be consistent with the drives operating range as shown.

The Acu Drive VF Drive is recommended for use with all "High" or "Premium" efficiency motors and all motors that have Class F insulation or better. For all non-Class F motors, please contact the factory for proper selection of Acu Drive VF Drive and accessories.

Standard Acu Drive XS VF Drives can be returned within 12 months of invoice only if unused, in original packaging, and subject to a 35% restocking charge. Special drives are non-returnable.

Nema Rated 12 enclosure provides protection against dust, dirt and light splashing. Nema Rated 12 units may be used outdoors when sheltered from direct precipitation and sunlight. Nema Rated 1 enclosure provides basic protection against accidental contact and falling dirt, and is only recommended for ideal, indoor installations.

EQ SERIES®

COMMERCIAL PLASTIC PUMP WITH AND WITHOUT HAIR AND LINT STRAINER



EQ Series TEFC Pump with Strainer



EQ Series Pump without Strainer

Commercial Plastic pump built specifically for commercial and large residential pools. Pump features electrical and hydraulic designs that helps reduce electrical costs, less wear and tear on critical moving parts, and quiet operation.

CALIFORNIA PROPOSITION 65 WARNING
 ⚠️ WARNING: Cancer and Reproductive Harm.
 ⚠️ AVERTISSEMENT: Peut Causer le Cancer et des Dommages au Système Reproducteur.
 ⚠️ ADVERTENCIA: Cáncer y Daño Reproductivo.
www.p65warnings.ca.gov

Featured Highlights

- Efficiency 3-phase motors
- Commercial grade, non-corrosive Plastic Parts for durability and long life
- Now available in TEFC and ODP 3-phase motor options
- Cam and Ramp™ See -Through Lid
- Self-priming with Hair and Lint Strainer
- Light weight
- 3-phase models compatible with Acu Drive™ XS VF Drive
- Drop-in replacement for C Series® and CSP Series™ Pumps
- Waterfall models great for low head, high flow applications
- Easy cleaning and serviceability
- 50 Hz models available -contact factory

Ordering Information

Product	Description	Voltage	Amps	HP	SF	SFHP	Primary Listings and Certifications ⁶	Port Size (ANSI Flange)	Motor Class	Carton Wt. (Lbs.)	Curve Key
PREMIUM EFFICIENCY SINGLE PHASE POOL PUMP WITHOUT STRAINER - ODP											
340019	EQ-500	230	20.0	5	1.15	5.75	NSF ² , ETL ⁵	6 in. x 4 in.	F	97	A
340021	EQ-750	230	30.4	7.5	1.15	8.63	NSF ²	6 in. x 4 in.	F	132	B
340237	EQ-1000	230	40.0	10	1.15	11.50	NSF ²	6 in. x 4 in.	F	125	C
NEMA RATED PREMIUM EFFICIENCY THREE PHASE POOL PUMP WITHOUT STRAINER - ODP											
340020	EQK-500	208-230/460	13.5-12.3/6.2	5	1.15	5.75	NSF ²	6 in. x 4 in.	F	77	D
340022	EQK-750	208-230/460	20.4-18.2/9.1	7.5	1.15	8.63	NSF ²	6 in. x 4 in.	F	87	E
340023	EQK-1000	208-230/460	27.0/26.2-13.1	10	1.15	11.50	NSF ²	6 in. x 4 in.	F	117	F
340024	EQK-1500	208-230/460	40.0-38.0/18.8	15	1.15	17.25	NSF ²	6 in. x 4 in.	F	132	G
NEMA RATED PREMIUM EFFICIENCY THREE PHASE POOL PUMP WITHOUT STRAINER - TEFC											
340608	EQKT-500	208-230/460	13.4-12.2/6.1	5	1.25	6.25	NSF ² , UL ⁷	6 in x 4 in	F	97	D
340609	EQKT-750	208-230/460	19.9-17.8/8.9	7.5	1.25	9.38	NSF ² , UL ⁷	6 in x 4 in	F	117	E
340610	EQKT-1000	208-230/460	26.4-23.5/11.7	10	1.25	12.50	NSF ² , UL ⁷	6 in x 4 in	F	163	F
340611	EQKT-1500	208-230/460	39.0-36.0/18.0	15	1.25	18.75	NSF ² , UL ⁸	6 in x 4 in	F	177	G
NEMA RATED PREMIUM EFFICIENCY THREE PHASE POOL PUMP WITHOUT STRAINER - 575 VOLT - ODP											
340148	EQK-500	575	5.1	5	1.15	5.75	NSF ²	6 in. x 4 in.	F	77	D
340149	EQK-750	575	7.2	7.5	1.15	8.63	NSF ²	6 in. x 4 in.	F	87	E
340150	EQK-1000	575	10.2	10	1.15	11.50	NSF ²	6 in. x 4 in.	F	117	F
340151	EQK-1500	575	15.0	15	1.15	17.25	NSF ²	6 in. x 4 in.	F	132	G
PREMIUM EFFICIENCY SINGLE PHASE POOL PUMP WITH STRAINER - ODP											
340030	EQ-500	230	20.0	5	1.15	5.75	NSF ³ , ETL ⁵	6 in. x 4 in.	F	126	A
340032	EQ-750	230	30.4	7.5	1.15	8.63	NSF ³	6 in. x 4 in.	F	161	B
340238	EQ-1000	230	40.0	10	1.15	11.50	NSF ³	6 in. x 4 in.	F	160	C
NEMA RATED PREMIUM EFFICIENCY THREE PHASE POOL PUMP WITH STRAINER - ODP											
340031	EQK-500	208-230/460	13.5-12.3/6.2	5	1.15	5.75	NSF ³	6 in. x 4 in.	F	106	D
340033	EQK-750	208-230/460	20.1-18.3/9.1	7.5	1.15	8.63	NSF ³	6 in. x 4 in.	F	116	E
340034	EQK-1000	208-230/460	27.0/26.2-13.1	10	1.15	11.50	NSF ³	6 in. x 4 in.	F	146	F
340035	EQK-1500	208-230/460	40.0-36.0/17.8	15	1.15	17.25	NSF ³	6 in. x 4 in.	F	161	G
NEMA RATED PREMIUM EFFICIENCY THREE PHASE POOL PUMP WITH STRAINER - TEFC											
340604	EQKT-500	208-230/460	13.4-12.2/6.1	5	1.25	6.25	NSF ³ , UL ⁷	6 in x 4 in	F	127	D
340605	EQKT-750	208-230/460	19.9-17.8/8.9	7.5	1.25	9.38	NSF ³ , UL ⁷	6 in x 4 in	F	147	E
340606	EQKT-1000	208-230/460	26.4-23.5/11.7	10	1.25	12.50	NSF ³ , UL ⁷	6 in x 4 in	F	193	F
340607	EQKT-1500	208-230/460	39.0-36.0/18.0	15	1.25	18.75	NSF ³ , UL ⁸	6 in x 4 in	F	207	G

EQ SERIES®

COMMERCIAL PLASTIC PUMP WITH AND WITHOUT HAIR AND LINT STRAINER

Product	Description	Voltage	Amps	HP	SF	SFHP	Primary Listings and Certifications ⁶	Port Size (ANSI Flange)	Motor Class	Carton Wt. (Lbs.)	Curve Key
NEMA RATED PREMIUM EFFICIENCY THREE PHASE POOL PUMP WITH STRAINER - ODP - 575 VOLT											
340155	EQK-500	575	5.1	5	1.15	5.75	NSF ³	6 in. x 4 in.	F	106	D
340156	EQK-750	575	7.2	7.5	1.15	8.63	NSF ³	6 in. x 4 in.	F	116	E
340157	EQK-1000	575	10.2	10	1.15	11.50	NSF ³	6 in. x 4 in.	F	146	F
340159	EQK-1500	575	15.0	15	1.15	17.25	NSF ³	6 in. x 4 in.	F	161	G
SINGLE PHASE WATERFALL PUMP WITHOUT STRAINER - ODP - 1750 RPM											
340014	EQW-300	208-230	19.5/19.2	3	1.15	3.45	NSF ² , ETL ⁵	6 in. x 4 in.	F	97	H
340017	EQW-500	208-230	23.0-20.1	5	1.25	6.25	NSF ² , ETL ⁵	6 in. x 4 in.	F	97	I
NEMA RATED PREMIUM EFFICIENCY THREE PHASE WATERFALL PUMP WITHOUT STRAINER - ODP - 1750 RPM											
340016	EQWK-300	208-230/460	8.4-7.8/3.9	3	1.15	3.45	NSF ²	6 in. x 4 in.	F	77	H
340018	EQWK-500	208-230/460	13.8-13.0/6.5	5	1.25	6.25	NSF ²	6 in. x 4 in.	F	77	I
SINGLE PHASE WATERFALL PUMP WITH STRAINER - ODP - 1750 RPM											
340026	EQW-300	208/230	19.5/19.2	3	1.15	3.45	NSF ³ , ETL ⁵	6 in. x 4 in.	F	126	H
340028	EQW-500	208-230	23.0/20.1	5	1.25	6.25	NSF ⁴ , ETL ⁵	6 in. x 4 in.	F	126	I
NEMA RATED PREMIUM EFFICIENCY THREE PHASE WATERFALL PUMP WITH STRAINER - ODP											
340027	EQWK-300	208-230/460	8.4-7.8/3.9	3	1.15	3.45	NSF ³	6 in. x 4 in.	F	106	H
340029	EQWK-500	208-230/460	13.8-13.0/6.5	5	1.25	6.25	NSF ⁴	6 in. x 4 in.	F	106	I
HAIR AND LINT STRAINER WITH CAM AND RAMP LID, BASKET AND HARDWARE											
340013	EQ 6X6 Strainer						NSF ⁴	6 in. x 6 in.		33	J
EQ SERIES PUMP ACCESSORIES FLANGE ASSEMBLY KITS											
357262	Flange 4 in. w/ gasket and SS hardware ¹	(See images on next page)								20	
357263	Flange 6 in. w/ gasket and SS hardware ¹	(See images on next page)								23	
357212	Flange 6 in. w/ gasket and SS hardware.	For use on EQ Pumps without Strainer.								23	

See page 249 for an assortment of PS Series In-Line Strainers that work well with EQ Series pumps.

¹ Thermoplastic PVC socket style.

² 'NSF' indicates that pump bears a mark signifying evaluation to NSF Standard 50 For Non Self-Priming Centrifugal Pumps For Swimming Pools, Spas and Hot Tubs.

³ 'NSF' indicates that pump bears a mark signifying evaluation to NSF Standard 50 For Self-Priming Centrifugal Pumps For Swimming Pools, Spas and Hot Tubs.

⁴ 'NSF' indicates that product bears a mark signifying evaluation to NSF Standard 50 For Materials and Components.

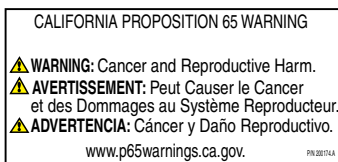
⁵ 'ETL' indicates that pump bears a specific ETL mark signifying evaluation to U.S. Standards UL1081 for Permanently Connected Swimming Pool and Spa Pumps and to Canadian Standards CAN/CSA C22.2 No. 108-01 Liquid Pumps For Swimming Pools And Spas. (Enclosure 3).

⁶ Product may have been evaluated to other state and local regulatory standards. Listing status may change. Always confirm status with appropriate agency if in doubt.

⁷ 'UL' indicates that pump bears a UL mark signifying evaluation to U.S. Standards UL1081 for Permanently Connected Swimming Pool and Spa Pumps and to Canadian Standards CAN/CSA C22.2 No. 108-01 Liquid Pumps For Swimming Pools Only (Enclosure 3).

⁸ 'UL' indicates that pump bears a UL mark signifying evaluation to U.S. Standards UL1081 for Permanently Connected Swimming Pool and Spa Pumps.

Dimensions and Performance - See next page.

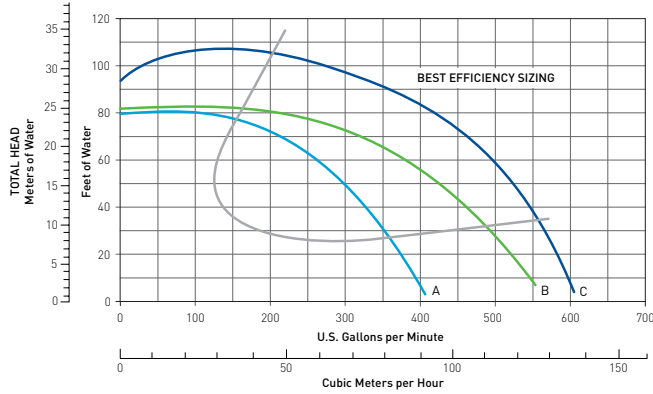


EQ SERIES®

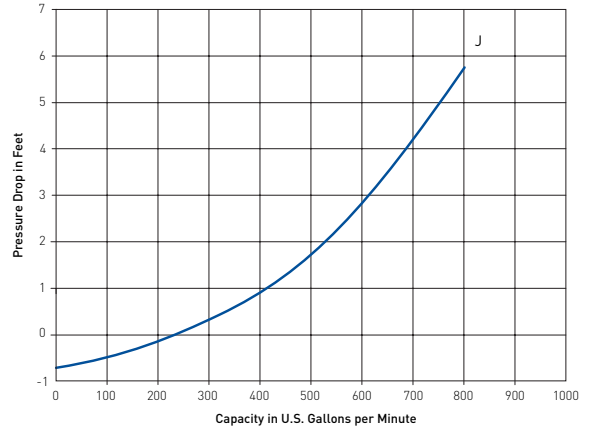
COMMERCIAL PLASTIC PUMP WITH AND WITHOUT HAIR AND LINT STRAINER (CONT'D)

Dimensions and Performance

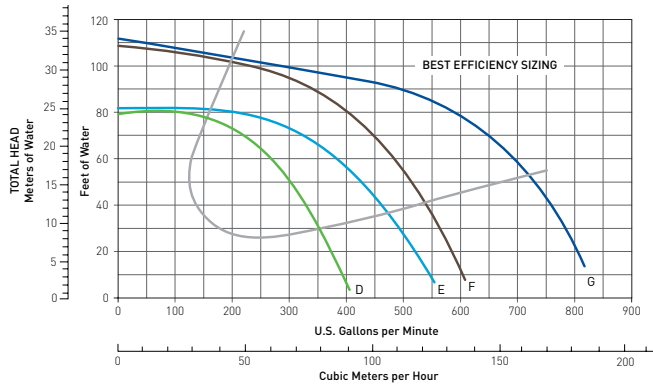
Single Phase Pumps - EQ Models



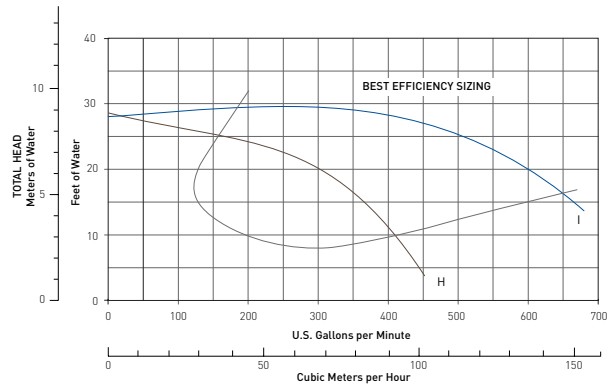
EQ Strainer Only



Three Phase Pumps - EQK Models



WaterFall Pumps - EQW & EQWK Models



For detailed efficiency curves go to www.pentaircommercial.com

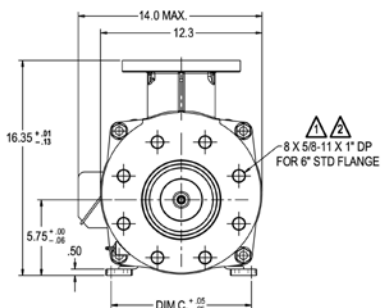
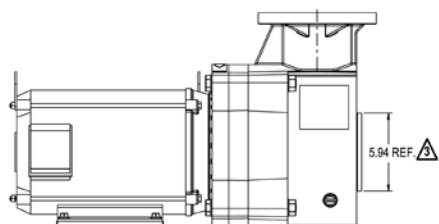
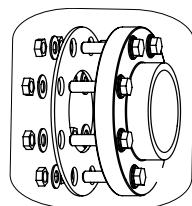
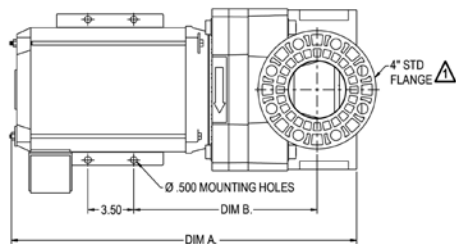
EQ SERIES®

COMMERCIAL PLASTIC PUMP WITH AND WITHOUT HAIR AND LINT STRAINER (CONT'D)

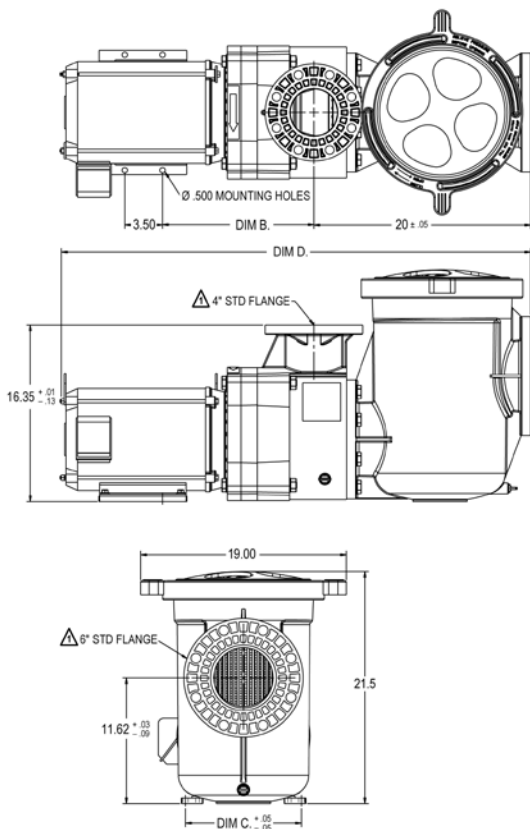
Dimensions and Performance

EQ Series Commercial Pump without Strainer

EQ Series Pump Flange Assembly Kit



EQ Series Commercial Pump with Strainer



Product No W/O Pot	Product No. W/ Pot	Dim A*	Dim B*	Dim C*	Dim D*
340014	340026	26.62	13.32	9.69	43.59
340017	340028	26.62	14.21	9.69	43.59
340019	340030	26.62	13.32	9.69	43.59
340021	340032	27.53	14.21	10.69	44.59
340237	340238	26.94	14.03	10.69	43.92
340016	340027	23.12	13.32	9.69	40.09
340018	340029	23.12	13.32	9.69	40.09
340020	340031	23.12	13.32	9.69	40.09
340022	340033	24.50	13.32	9.69	41.56
340023	340034	26.31	14.38	10.69	43.29
340024	340035	26.31	14.38	10.69	43.29
340148	340155	24.62	13.32	7.50	41.59
340149	340156	24.62	13.32	7.50	41.59
340150	340157	26.31	14.07	8.50	43.29
340151	340159	26.31	14.07	8.50	43.29
340608	340604	24.52	13.48	9.69	41.50
340609	340605	26.52	14.19	10.69	43.50
340610	340606	28.02	14.19	10.69	45.00
340611	340607	28.02	14.19	10.69	45.00
340086	340082	24.62	13.48	9.69	41.59
340085	340081	24.62	13.48	9.69	41.59
340084	340080	28.31	14.19	10.69	45.29
340083	340049	28.31	14.19	10.69	45.29
340048	340046	28.31	14.19	10.69	45.29
340047	340045	28.31	14.19	10.69	45.29

* This value may vary slightly depending upon manufacturer and motor design.

- △ FASTENERS AND O-RING ARE INCLUDED WITH PENTAIR POOL PRODUCTS EQ 6X6 STRAINER TO CONNECT STRAINER DIRECTLY TO EQ SERIES PUMP. IF PUMP IS TO BE INSTALLED WITHOUT STRAINER MAKE BOTH CONNECTIONS PER NOTE 1.
- △ USE ANSI CLASS 150 PLASTIC FLANGE AND 1/8 in. THICK CLASS 150 FULL FLANGE GASKET TO MAKE CONNECTION.
- △ THIS DIAMETER FITS INSIDE 6 in. SCH 40 PIPE. DO NOT USE SCH 80 PIPE AS FINAL PIPE SIZE WHEN MAKING THIS FLANGE CONNECTION.

See pages 539-540 for replacement parts.

C SERIES®

COMMERCIAL BRONZE PUMPS



C Series Commercial Bronze Pump

Bronze volute and pot, coated cast iron foot, flanged connections, 6 in. suction, 4 in. discharge.

CALIFORNIA PROPOSITION 65 WARNING

⚠️ **WARNING:** Cancer and Reproductive Harm.
 ⚠️ **AVERTISSEMENT:** Peut Causer le Cancer et des Dommages au Système Reproducteur.
 ⚠️ **ADVERTENCIA:** Cáncer y Daño Reproductivo.
www.p65warnings.ca.gov PS-200714

Featured Highlights

- Large commercial pump with s/s basket
- Easy serviceability
- All-bronze construction for strength and durability
- 6 in. suction and 4 in. discharge for maximum capabilities
- Heavy-gauge stainless steel strainer basket with an open area 5 times the area of the suction port
- Closed impeller for longer motor bearing life
- Heat-resistant seal capable of operation at up to 150°
- Available in single and three-phase, 50 and 60-Hertz models
- For 200-208v applications order 200-208v model pump

Ordering Information

Product	Description	Voltage	Amps	HP	SF	SFHP	Primary Listings and Certifications ²	Motor Class	Port Size (ANSI Flange)	Carton Wt. (Lbs.)	Curve Key
NEMA RATED STANDARD EFFICIENCY SINGLE PHASE 230V											
011651	CM-50	230	24.0	5	1.15	5.75	NSF ¹	B	6 in. x 4 in.	352	F
011656	CH-50	230	24.0	5	1.15	5.75	NSF ¹	B	6 in. x 4 in.	352	A
347917	CM-75	230	37.0	7-1/2	1.15	8.63	NSF ¹	B	6 in. x 4 in.	375	G
347916	CH-75	230	37.0	7-1/2	1.15	8.63	NSF ¹	B	6 in. x 4 in.	375	B
347964	CM-100	230	51.0	10	1.15	11.50	NSF ¹	B	6 in. x 4 in.	370	H
347963	CH-100	230	51.0	10	1.15	11.50	NSF ¹	B	6 in. x 4 in.	370	C
NEMA RATED STANDARD EFFICIENCY SINGLE PHASE 200 - 208V											
347938	CM-50	200-208	29.0	5	1.15	5.75	NSF ¹	B	6 in. x 4 in.	322	F
347939	CH-50	200-208	29.0	5	1.15	5.75	NSF ¹	B	6 in. x 4 in.	322	A
348001	CM-75	200-208	42.6	7-1/2	1.15	8.63	NSF ¹	B	6 in. x 4 in.	375	G
348005	CH-75	200-208	42.6	7-1/2	1.15	8.63	NSF ¹	B	6 in. x 4 in.	375	B
NEMA RATED STANDARD EFFICIENCY THREE PHASE 200 - 208V											
347940	CMK-50	200-208	16.1	5	1.15	5.75	NSF ¹	B	6 in. x 4 in.	346	F
347941	CHK-50	200-208	16.1	5	1.15	5.75	NSF ¹	B	6 in. x 4 in.	350	A
347942	CMK-75	200-208	22.3	7-1/2	1.15	8.63	NSF ¹	B	6 in. x 4 in.	346	G
347943	CHK-75	200-208	22.3	7-1/2	1.15	8.63	NSF ¹	B	6 in. x 4 in.	346	B
347944	CMK-100	200-208	28.7	10	1.15	11.50	NSF ¹	B	6 in. x 4 in.	370	H
347945	CHK-100	200-208	28.7	10	1.15	11.50	NSF ¹	B	6 in. x 4 in.	356	C
347946	CMK-150	200-208	43.5	15	1.15	17.25	NSF ¹	B	6 in. x 4 in.	369	I
347947	CHK-150	200-208	43.5	15	1.15	17.25	NSF ¹	B	6 in. x 4 in.	350	D
347948	CHK-200	200-208	54.0	20	1.15	23.00	NSF ¹	F	6 in. x 4 in.	406	E
NEMA RATED STANDARD EFFICIENCY THREE PHASE 220/440V											
011652	CMK-50	220/440	13.0/6.5	5	1.15	5.75	NSF ¹	F	6 in. x 4 in.	336	F
011657	CHK-50	220/440	13.0/6.5	5	1.15	5.75	NSF ¹	F	6 in. x 4 in.	336	A
011653	CMK-75	220/440	18.4/9.2	7-1/2	1.15	8.63	NSF ¹	F	6 in. x 4 in.	346	G
011658	CHK-75	220/440	18.4/9.2	7-1/2	1.15	8.63	NSF ¹	F	6 in. x 4 in.	349	B
011654	CMK-100	220/440	25.3/12.6	10	1.15	11.50	NSF ¹	B	6 in. x 4 in.	374	H
011659	CHK-100	220/440	25.3/12.6	10	1.15	11.50	NSF ¹	B	6 in. x 4 in.	376	C
011655	CMK-150	220/440	37.5/18.8	15	1.15	17.25	NSF ¹	B	6 in. x 4 in.	396	I
011660	CHK-150	220/440	37.5/18.8	15	1.15	17.25	NSF ¹	B	6 in. x 4 in.	398	D
011661	CHK-200	220/440	49.0/24.6	20	1.15	23.00	NSF ¹	F	6 in. x 4 in.	403	E

C SERIES®

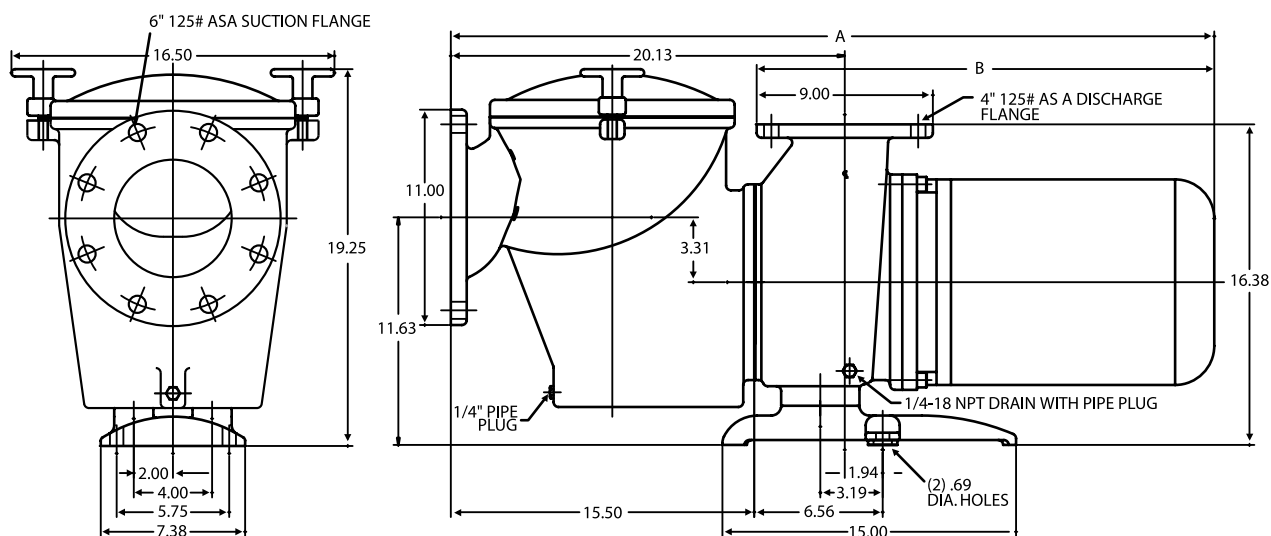
COMMERCIAL BRONZE PUMPS (CONT'D) WITH HAIR AND LINT STRAINER

Product	Description	Voltage	Amps	HP	SF	SFHP	Primary Listings and Certifications ²	Motor Class	Port Size (ANSI Flange)	Carton Wt. (Lbs.)	Curve Key
NEMA RATED STANDARD EFFICIENCY THREE PHASE 575V											
347931	CMK-50	575	5.6	5	1.15	5.75	NSF ¹	F	6 in. x 4 in.	336	F
347967	CHK-50	575	5.6	5	1.15	5.75	NSF ¹	F	6 in. x 4 in.	336	A
347936	CMK-75	575	7.7	7-1/2	1.15	8.63	NSF ¹	F	6 in. x 4 in.	349	G
347937	CHK-75	575	7.7	7-1/2	1.15	8.63	NSF ¹	F	6 in. x 4 in.	349	B
347932	CMK-100	575	10.0	10	1.15	11.50	NSF ¹	F	6 in. x 4 in.	374	H
347968	CHK-100	575	10.0	10	1.15	11.50	NSF ¹	F	6 in. x 4 in.	374	C
347934	CMK-150	575	15.2	15	1.15	17.25	NSF ¹	B	6 in. x 4 in.	398	I
347933	CHK-150	575	15.2	15	1.15	17.25	NSF ¹	B	6 in. x 4 in.	398	D
347935	CHK-200	575	19.5	20	1.15	23.00	NSF ¹	F	6 in. x 4 in.	406	E
NEMA RATED STANDARD EFFICIENCY THREE PHASE 380-415V- 50 HZ											
014900	CMKL-50	380-415	7.5-6.8	5	1.15	5.75	NSF ¹	F	6 in. x 4 in.	336	
014880	CHKL-50	380-415	7.5-6.8	5	1.15	5.75	NSF ¹	F	6 in. x 4 in.	336	
014901	CMKL-75	380-415	11.0-10.0	7-1/2	1.00	7-1/2	NSF ¹	F	6 in. x 4 in.	346	
014881	CHKL-75	380-415	11.0-10.0	7-1/2	1.00	7-1/2	NSF ¹	F	6 in. x 4 in.	346	
014902	CMKL-100	380-415	14.5-14.6	10	1.15	11.50	NSF ¹	F	6 in. x 4 in.	376	
014882	CHKL-100	380-415	14.5-14.6	10	1.15	11.50	NSF ¹	F	6 in. x 4 in.	374	
014903	CMKL-150	380-415	20.5-19.0	15	1.15	17.25	NSF ¹	F	6 in. x 4 in.	398	
014883	CHKL-150	380-415	20.5-19.0	15	1.15	17.25	NSF ¹	F	6 in. x 4 in.	396	
014884	CHKL-200	380-415	28.0-26.0	20	1.15	23.00	NSF ¹	F	6 in. x 4 in.	403	

¹ "NSF" indicates that pump has been certified to NSF/ANSI 50, the Standard for Equipment for swimming pools, spas, hot tubs and other recreational water features.

² Product may have been evaluated to other state and local regulatory standards. Listing status may change. Always confirm status with appropriate agency if in doubt.

Dimensions and Performance



PUMP DIMENSIONS			
THREE-PHASE AMPS @ 220/440 & 380/415 V			
HP	AMPS	A	B
5	14	34.88	19.50
7.5	20	35.88	20.50
10	26	36.88	22.50
15	38	37.38	22.00
20	46	37.88	23.50

PUMP DIMENSIONS			
SINGLE-PHASE AMPS @ 230 VOLTS			
HP	AMPS	A	B
5	26	35.50	20.50
7.5	37	35.88	20.50

PUMP DIMENSIONS			
SINGLE-PHASE AMPS @ 200 VOLTS			
HP	AMPS	A	B
5	29	35.50	20.50
7.5	39.6	35.88	20.50

NOTES:

- BOTH "A" AND "B" DIMENSIONS ARE APPROXIMATE IT DEPENDS ON MOTOR MANUFACTURER.
- ALL DIMENSIONS ARE IN INCHES AND MAY VARY ± .25.

C SERIES®

COMMERCIAL BRONZE PUMPS (CONT'D) WITHOUT HAIR AND LINT STRAINER



C Series
Commercial
Bronze Pump
without Hair and
Lint Strainer

Featured Highlights

- High performance motors for maximum flow
- All-bronze construction for strength and durability
- 5 in. suction and 4 in. discharge for maximum capabilities
- Closed impeller for longer motor bearing life
- Heat-resistant seal capable of operation at up to 150°
- Available in single and three-phase, 50 and 60-hertz models
- For 200-208v applications order 200-208v model pump

CALIFORNIA PROPOSITION 65 WARNING

▲WARNING: Cancer and Reproductive Harm.
 ▲AVERTISSEMENT: Peut Causer le Cancer et des Dommages au Système Reproducteur.
 ▲ADVERTENCIA: Cáncer y Daño Reproductivo.
www.p65warnings.ca.gov

Ordering Information

Product	Description	Voltage	Amps	HP	SF	SFHP	Primary Listings and Certifications ³	Motor Class	Port Size (ANSI Flange)	Carton Wt. (Lbs.)	Curve Key
NEMA RATED STANDARD EFFICIENCY SINGLE PHASE 230V											
011605	CH-50	230	24.0	5	1.15	5.75	NSF ²	B	5 in. x 4 in.	302	A
347966	CM-100	230	51.0	10	1.15	11.50	NSF ²	B	5 in. x 4 in.	326	H
347965	CH-100	230	51.0	10	1.15	11.50	NSF ²	B	5 in. x 4 in.	326	C
NEMA RATED STANDARD EFFICIENCY SINGLE PHASE 200-208V											
347949	CM-50	200-208	29.0	5	1.15	5.75	NSF ²	B	5 in. x 4 in.	302	F
347950	CH-50	200-208	29.0	5	1.15	5.75	NSF ²	B	5 in. x 4 in.	302	A
347961	CM-75	200-208	42.6	7-1/2	1.15	8.63	NSF ²	B	5 in. x 4 in.	315	G
347960	CH-75	200-208	42.6	7-1/2	1.15	8.63	NSF ²	B	5 in. x 4 in.	315	B
NEMA RATED STANDARD EFFICIENCY THREE PHASE 200-208V											
347951	CMK-50	200-208	16.1	5	1.15	5.75	NSF ²	B	5 in. x 4 in.	296	F
347952	CHK-50	200-208	16.1	5	1.15	5.75	NSF ²	B	5 in. x 4 in.	300	A
347953	CMK-75	200-208	22.3	7-1/2	1.15	8.63	NSF ²	B	5 in. x 4 in.	296	G
347954	CHK-75	200-208	22.3	7-1/2	1.15	8.63	NSF ²	B	5 in. x 4 in.	296	B
347955	CMK-100	200-208	28.7	10	1.15	11.50	NSF ²	B	5 in. x 4 in.	320	H
347956	CHK-100	200-208	28.7	10	1.15	11.50	NSF ²	B	5 in. x 4 in.	306	C
347957	CMK-150	200-208	43.5	15	1.15	17.25	NSF ²	B	5 in. x 4 in.	319	I
347958	CHK-150	200-208	43.5	15	1.15	17.25	NSF ²	B	5 in. x 4 in.	300	D
347959	CHK-200	200-208	54.0	20	1.15	23.00	NSF ²	F	5 in. x 4 in.	356	E
NEMA RATED STANDARD EFFICIENCY THREE PHASE 220/440V											
011601	CMK-50	220/440	13.0/6.5	5	1.15	5.75	NSF ²	F	5 in. x 4 in.	286	F
011606	CHK-50	220/440	13.0/6.5	5	1.15	5.75	NSF ²	F	5 in. x 4 in.	286	A
011602	CMK-75	220/440	18.4/9.2	7-1/2	1.15	8.63	NSF ²	F	5 in. x 4 in.	296	G
011607	CHK-75	220/440	18.4/9.2	7-1/2	1.15	8.63	NSF ²	F	5 in. x 4 in.	296	B
011603	CMK-100	220/440	25.3/12.6	10	1.15	11.50	NSF ²	B	5 in. x 4 in.	326	H
011608	CHK-100	220/440	25.3/12.6	10	1.15	11.50	NSF ²	B	5 in. x 4 in.	324	C
011604	CMK-150	220/440	37.5/18.8	15	1.15	17.25	NSF ²	B	5 in. x 4 in.	348	I
011609	CHK-150	220/440	37.5/18.8	15	1.15	17.25	NSF ²	B	5 in. x 4 in.	346	D
011610	CHK-200	220/440	49.0/24.6	20	1.15	23.00	NSF ²	F	5 in. x 4 in.	353	E
C SERIES & AURORA PUMP ACCESSORIES FLANGE ASSEMBLY KITS											
357260	Flange 5 in. w/ gasket and SS hardware ¹ for pump less strainer									22	
357262	Flange 4 in. w/ gasket and SS hardware ¹									20	
357263	Flange 6 in. w/ gasket and SS hardware ¹									23	

¹ Thermoplastic PVC socket style

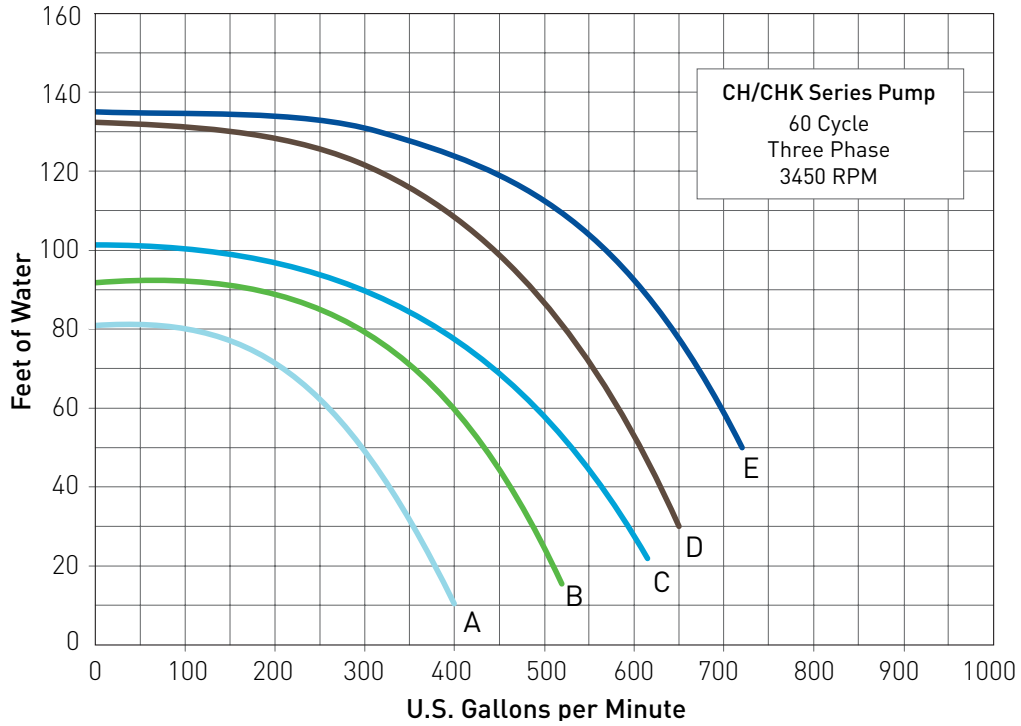
² 'NSF(1)' indicates that pump bears a mark signifying evaluation to NSF Standard 50 For Non Self-Priming Centrifugal Pumps For ---Swimming Pools, Spas and Hot Tubs.

³ Product may have been evaluated to other state and local regulatory standards. Listing status may change. Always confirm status with appropriate agency if in doubt.

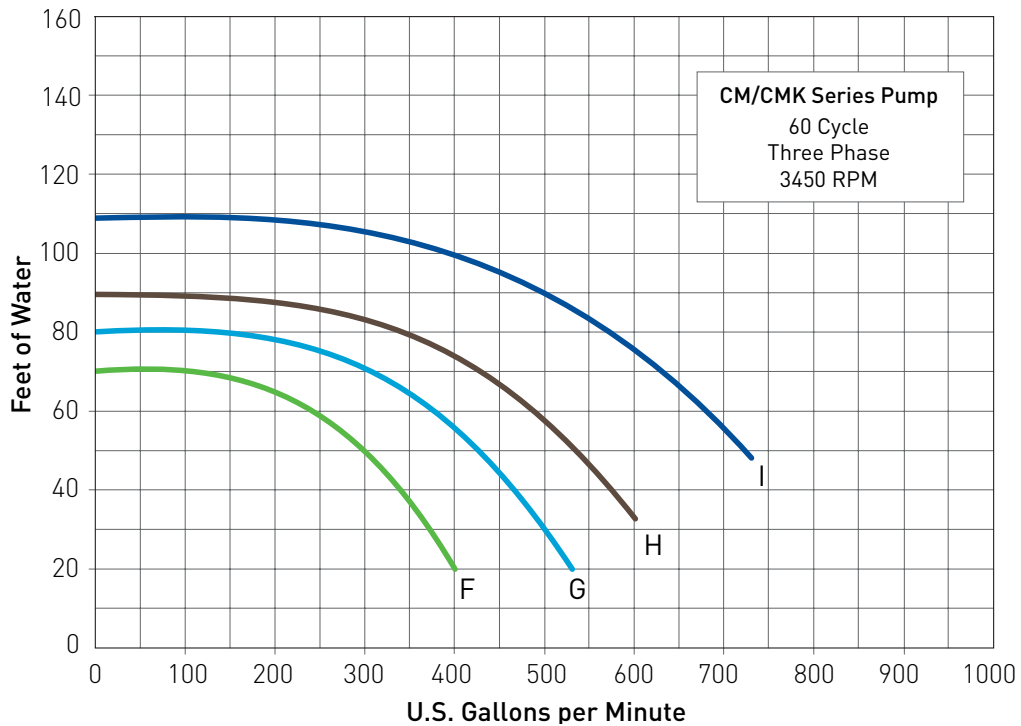
C SERIES®

COMMERCIAL BRONZE PUMPS (CONT'D) WITH HAIR AND LINT STRAINER

CH/CHK SERIES PUMP - 60HZ



CM/CMK SERIES PUMP - 60HZ



For detailed efficiency curves go to www.pentaircommercial.com

See pages 541-542 for replacement parts.

C/CC SERIES™

BRONZE OR CAST IRON COMMERCIAL POOL PUMP



C/CC Series Commercial
Pool Pump

Featured Highlights

- For semi-commercial and commercial swimming pool and spa recirculation
- Available in high head and medium head models, providing a complete range of performance characteristics
- Available in 3–5 HP models with 2-1/2 in. NPT suction and 2 in. NPT discharge ports (Non self-primer, requires flooded suction installation.)
- Motors are open drip-proof, continuous duty rated 3450 RPM

CALIFORNIA PROPOSITION 65 WARNING

⚠ **WARNING:** Cancer and Reproductive Harm.
 ⚠ **AVERTISSEMENT:** Peut Causer le Cancer et des Dommages au Système Reproducteur.
 ⚠ **ADVERTENCIA:** Cáncer y Daño Reproductivo.
www.p65warnings.ca.gov

Ordering Information

Product	Voltage	Amps ³	HP	Primary Listings and Certifications ²	Port Size (NPT)	Carton Wt. (Lbs.)	Curve Key
SINGLE PHASE CAST BRONZE							
CMH-136	230	14.0	3	NSF ¹	2-1/2 in. x 2 in.	111	B
CHH-137	230	14.0	3	NSF ¹	2-1/2 in. x 2 in.	116	A
CHJ-138	230	21.5	5	NSF ¹	2-1/2 in. x 2 in.	131	C
SINGLE PHASE CAST IRON							
CCMH-136S	230	14.0	3	NSF ¹	2-1/2 in. x 2 in.	106	B
CCHH-137S	230	14.0	3	NSF ¹	2-1/2 in. x 2 in.	106	A
CCHJ-138	230	21.5	5	NSF ¹	2-1/2 in. x 2 in.	126	C
THREE PHASE CAST BRONZE							
CMH3-136	230/460	9.6/4.8	3	NSF ¹	2-1/2 in. x 2 in.	91	B
CHH3-137	230/460	9.6/4.8	3	NSF ¹	2-1/2 in. x 2 in.	91	A
CHJ3-138	230/460	15.2/7.6	5	NSF ¹	2-1/2 in. x 2 in.	115	C
THREE PHASE CAST IRON							
CCMH3-136S	230/460	9.6/4.8	3	NSF ¹	2-1/2 in. x 2 in.	86	B
CCHH3-137S	230/460	9.6/4.8	3	NSF ¹	2-1/2 in. x 2 in.	86	A
CCHJ3-138S	230/460	15.2/7.6	5	NSF ¹	2-1/2 in. x 2 in.	110	C

* 200 Volt models available. Contact factory for availability.

¹ 'NSF(1)' indicates that pump bears a mark signifying evaluation to NSF Standard 50 For Self-Priming Centrifugal Pumps For Swimming Pools, Spas and Hot Tubs when installed with a NSF certified Hair and Lint Strainer.

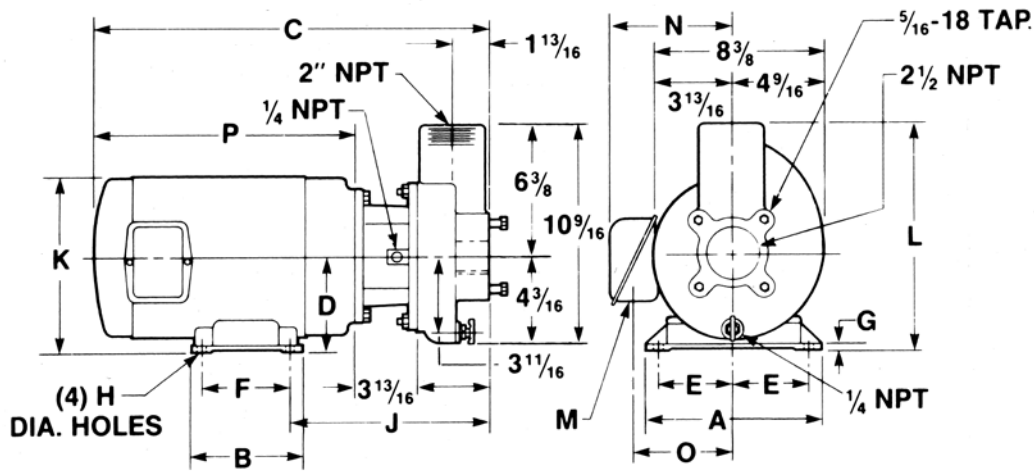
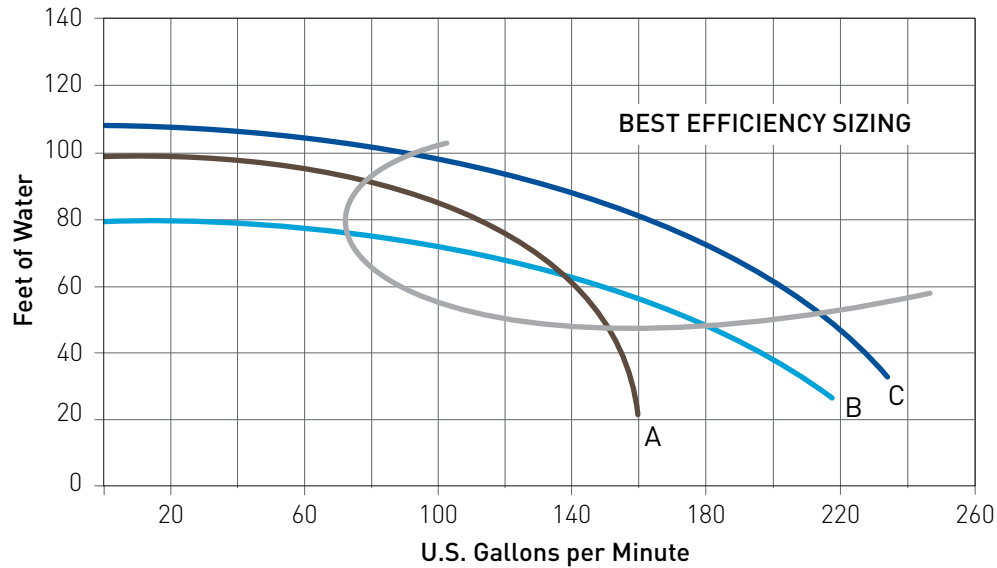
² Product may have been evaluated to other state and local regulatory standards. Listing status may change. Always confirm status with appropriate agency if in doubt.

³ Dimensions and Max Load Amps may vary per motor manufacturer.

C/CC SERIES™

BRONZE OR CAST IRON COMMERCIAL POOL PUMP (CONT'D)

Dimensions and Performance



Ordering Information

Catalog Number	A	B	C*	D	E	F	G*	H*	J	K	L	M*	N*	O*	P*
CHH3-137 CMH3-136	7	6	18-13/32	3-1/2	2-3/4	5	9/32	11/32	9-9/32	7-7/32	9-7/8	3/4	6-29/32	5-13/32	11
CHH-137 CMH-136	9	6-1/2	21-1/2	4-1/2	3-3/4	4-1/2	7/16	7/16	10-5/16	9-23/32	10-7/8	3/4	8-1/8	6-1/2	14-1/8
CHJ3-138 CHJ-138	9	7-1/2	22-1/2	4-1/2	3-3/4	5-1/2	7/16	7/16	10-5/16	9-23/32	10-7/8	3/4	9	6-15/16	15-1/8

All dimensions shown in inches.

See pages 545–546 for replacement parts.

CSP/CCSP SERIES™

COMMERCIAL SELF-PRIMING PUMP



CSP/CCSP Series
Commercial Self-Priming
Pump with PKG 184
Strainer (sold separately)

CALIFORNIA PROPOSITION 65 WARNING
 ⚠️ **WARNING:** Cancer and Reproductive Harm.
 ⚠️ **AVERTISSEMENT:** Peut Causer le Cancer et des Dommages au Système Reproducteur.
 ⚠️ **ADVERTENCIA:** Cáncer y Daño Reproductivo.
www.p65warnings.ca.gov

Featured Highlights

- Especially designed for commercial and public swimming pools and spas, aquatic facilities, water parks and fountain applications where high performance and self-priming are required
- Pump has enclosed bronze impeller and standard 6 in. x 4 in. A.N.S.I. rated flange connections
- The pump strainer (order separately) has capacity of 1,100 cubic inches. Both pump and strainer can be ordered with optional epoxy coated castings to provide additional performance and corrosion resistance

Ordering Information

Product	Voltage	Amps ¹	HP	SF	SFHP	Primary Listings and Certifications ⁴	Port Size (ANSI Flange)	Carton Wt. (Lbs.)	Curve Key
NEMA RATED STANDARD EFFICIENCY SINGLE PHASE CAST IRON									
CSPHK-142	230	39	7.5	1.15	8.63	NSF ²	6 in. x 4 in.	270	A
CSPHL-143	230	46	10	1.15	11.50	NSF ²	6 in. x 4 in.	275	B
NEMA RATED STANDARD EFFICIENCY SINGLE PHASE EPOXY COATED CAST IRON									
CCSPHK-142	230	39	7.5	1.15	8.63	NSF ²	6 in. x 4 in.	270	E
CCSPHL-143	230	46	10	1.15	11.50	NSF ²	6 in. x 4 in.	275	F
NEMA RATED STANDARD EFFICIENCY THREE PHASE CAST IRON									
CSPHK3-142	230/460	21.2-19.2/9.6	7-1/2	1.25	9.38	NSF ²	6 in. x 4 in.	265	A
CSPHL3-143	230/460	27.6-24.4/12.2	10	1.25	12.50	NSF ²	6 in. x 4 in.	270	B
CSPHM3-144	230/460	44.2-40/20	15	1.25	18.75	NSF ²	6 in. x 4 in.	280	C
CSPHN3-145	230/460	55.3-50/25	20	1.25	25.00	NSF ²	6 in. x 4 in.	325	D
NEMA RATED STANDARD EFFICIENCY THREE PHASE CAST IRON - 200V⁶									
CSPH2K3-142	200	22.1	7-1/2	1.15	8.63	NSF ²	6 in. x 4 in.	265	A
CSPH2L3-143	200	28.1	10	1.25	12.50	NSF ²	6 in. x 4 in.	270	B
CSPH2M3-144	200	42.3	15	1.25	18.75	NSF ²	6 in. x 4 in.	280	C
CSPH2N3-145	200	57.3	20	1.25	25.00	NSF ²	6 in. x 4 in.	350	D
NEMA RATED STANDARD EFFICIENCY THREE PHASE EPOXY COATED CAST IRON									
CCSPHK3-142	230/460	21.2-19.2/9.6	7-1/2	1.25	9.38	NSF ²	6 in. x 4 in.	265	E
CCSPHL3-143	230/460	27.6-24.4/12.2	10	1.25	12.50	NSF ²	6 in. x 4 in.	270	F
CCSPHM3-144	230/460	44.2-40/20	15	1.25	18.75	NSF ²	6 in. x 4 in.	280	G
CCSPHN3-145	230/460	55.3-50/25	20	1.25	25.00	NSF ²	6 in. x 4 in.	325	H
NEMA RATED STANDARD EFFICIENCY THREE PHASE EPOXY COATED CAST IRON - 200 V⁶									
CCSPH2K3-142	200	22.1	7-1/2	1.15	8.63	NSF ²	6 in. x 4 in.	265	E
CCSPH2L3-143	200	28.1	10	1.25	12.50	NSF ²	6 in. x 4 in.	270	F
CCSPH2M3-144	200	42.3	15	1.25	18.75	NSF ²	6 in. x 4 in.	280	G
CCSPH2N3-145	200	57.3	20	1.25	25.00	NSF ²	6 in. x 4 in.	350	H
ACCESSORIES FOR CSP/CCSP SERIES									
PKG 184	Strainer for CSP/CCSP 6 in. ANSI flange (1,100 cu. in. capacity)					NSF ³	6 in. x 6 in.	180	I
PKG 184C	Same as PKG 184 Except Strainer is Epoxy Coated					NSF ³	6 in. x 6 in.	180	I
357262	Flange 4 in. w/ gasket and SS hardware ⁵							20	
357263	Flange 6 in. w/ gasket and SS hardware ⁵							23	

¹ Amp draw may vary depending on motor manufacturer.

² 'NSF(1)' indicates that pump bears a mark signifying evaluation to NSF Standard 50 For Self-Priming Centrifugal Pumps For Swimming Pools And Spas.

³ 'NSF(2)' indicates that product bears a mark signifying evaluation to NSF Standard 50 For Materials and Components.

⁴ Product may have been evaluated to other state and local regulatory standards. Listing status may change. Always confirm status with appropriate agency if in doubt.

⁵ Thermoplastic PVC socket style.

⁶ For 208 volt applications, use 200v model options.

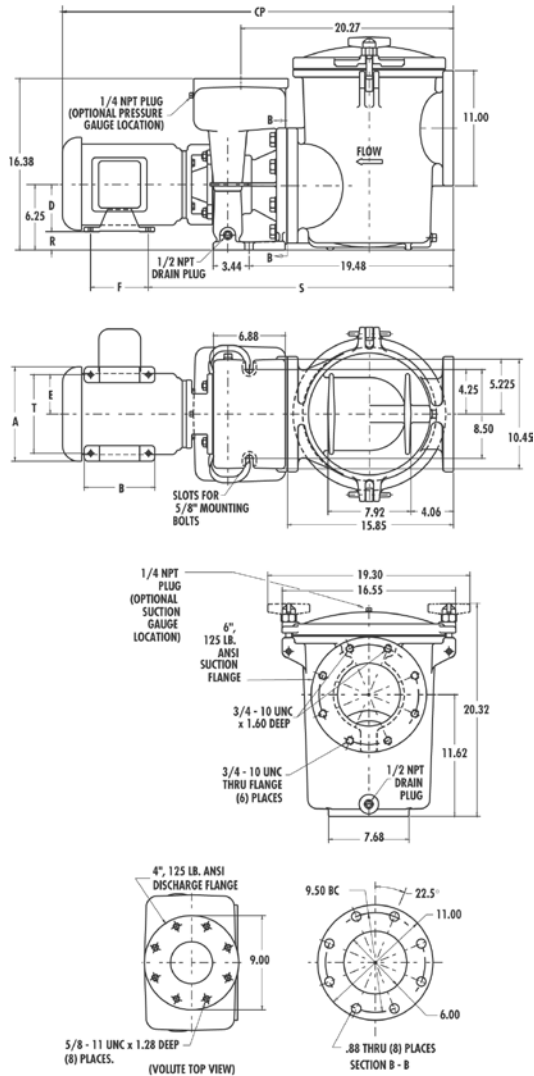
CSP/CCSP SERIES™

COMMERCIAL SELF-PRIMING PUMP (CONT'D)

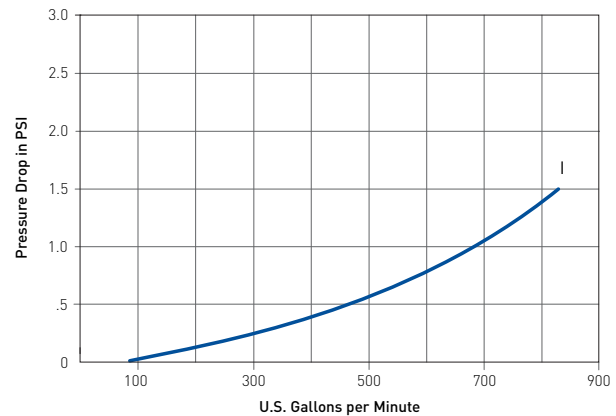
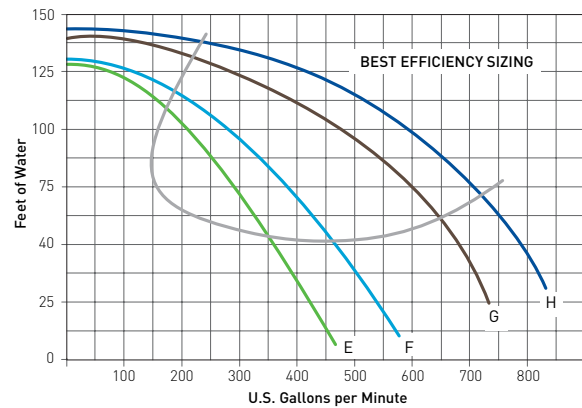
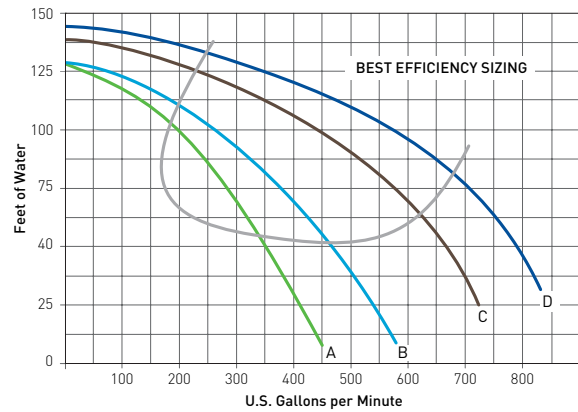
Featured Highlights

Options: CCSP Models feature special epoxy coated castings for maximum performance and corrosion resistance. 60 Hz T.E.F.C., 60 Hz premium efficiency, or 575 volt motors available. Inverter duty rated class F motors available for most models. Contact factory for details.

Note: Maximum ambient temperature for motor is 104°F (40°C). All pump motors require external overload protection (magnetic starter). Pump strainer must be ordered separately. Full load amps on motor model plate.



Dimensions and Performance



Catalog Number	A	B	CP	D	E	F	R	S	T
CSPHK, CCSPHK	10.62	7.00	39.44	5.25	4.25	5.50	1.00	30.00	8.50
CSPHK3, CCSPHK3, CSPH2K3	9.00	6.75	40.31	4.50	3.75	5.50	1.75	29.13	7.50
CSPHL, CCSPHL	10.35	8.26	42.69	5.25	4.25	7.00	1.00	30.00	8.50
CSPHL3, CCSPHL3	10.62	7.00	41.00	5.25	4.25	5.50	1.00	30.00	8.50
CSPHM3, CCSPHM3	10.62	8.50	42.50	5.25	4.25	7.00	1.00	30.00	8.50
CSPH2L3, CSPH2M3	10.62	8.50	42.50	5.25	4.25	7.00	1.00	30.00	8.50
CSPHN3, CCSPHN3	12.50	10.80	46.75	6.25	5.00	8.20	0.00	31.62	10.00
CSPH2N3, CCSPH2N3	13.38	12.44	48.50	6.25	5.00	10.00	0.00	31.65	10.00

All dimensions shown in inches.

See page 547 for replacement parts.

5CSP/5CCSP SERIES™

50 HERTZ COMMERCIAL SELF-PRIMING PUMP



5CSP/5CCSP Series Commercial Self-Priming Pump with PKG 184 Strainer Pot (sold separately)

Featured Highlights

- Especially designed for commercial and public swimming pools and spas, aquatic facilities, water parks and fountain applications where high performance and self-priming are required
- Pump has enclosed bronze impeller and standard 6 in. x 4 in. A.N.S.I. flange connections
- The pump strainer (order separately) has capacity of 1,100 cubic inches. Both pump and strainer can be ordered with optional epoxy coated castings to provide additional performance and corrosion resistance

• **Note: 50 hertz pumps cannot be used in North America.**

CALIFORNIA PROPOSITION 65 WARNING

⚠ **WARNING:** Cancer and Reproductive Harm.
 ⚠ **AVERTISSEMENT:** Peut Causer le Cancer et des Dommages au Système Reproducteur.
 ⚠ **ADVERTENCIA:** Cáncer y Daño Reproductivo.
www.p65warnings.ca.gov PK320714

Ordering Information

Product	Voltage	Amps ¹	HP	SF	SFHP	Primary Listings and Certifications ³	Port Size (ANSI Flange)	Carton Wt. (Lbs.)	Curve Key
SINGLE PHASE CAST IRON WITHOUT STRAINER- 50 HZ									
5CSPHJ-142	220-240	35.5-32.5	5	1.00	5		6 in. x 4 in.	270	A
5CSPHK-143	220-240	43.0-39.4	7-1/2	1.00	7-1/2		6 in. x 4 in.	280	B
THREE PHASE CAST IRON WITHOUT STRAINER- 50 HZ									
5CSPHJ3-142	220-240/380-415	13.0/6.9	5	1.00	5		6 in. x 4 in.	260	A
5CSPHK3-143	220-240/380-415	20.7-21.5/12.0/12.4	7-1/2	1.00	7-1/2		6 in. x 4 in.	270	B
5CSPHL3-144	220-240/380-415	27.0-27.5/15.6-15.9	10	1.00	10		6 in. x 4 in.	280	C
5CSPHM3-145	220-240/380-415	38.9-20.6	15	1.00	15		6 in. x 4 in.	300	D
THREE PHASE EPOXY COATED CAST IRON WITHOUT STRAINER - 50 HZ									
5CCSPHJ3-142	220-240/380-415	13.0/6.9	5	1.00	5		6 in. x 4 in.	260	A
5CCSPHK3-143	220-240/380-415	20.7-11.0	7-1/2	1.00	7-1/2		6 in. x 4 in.	270	B
5CCSPHL3-144	220-240/380-415	26.9-14.3	10	1.00	10		6 in. x 4 in.	280	C
5CCSPHM3-145	220-240/380-415	38.9-20.6	15	1.00	15		6 in. x 4 in.	300	D
ACCESSORIES FOR 5CSP/5CCSP SERIES									
PKG 184	Strainer for CSP/CCSP 6 in. ANSI flange (1,100 cu. in. capacity)					NSF ⁴	6 in. x 6 in.	180	I
PKG 184C	Same as PKG 184 Except Strainer is Epoxy Coated					NSF ⁴	6 in. x 6 in.	180	I
357262	Flange 4 in. w/ gasket and SS hardware ²							20	
357263	Flange 6 in. w/ gasket and SS hardware ²							23	

¹ Amp draw may vary depending on motor manufacturer. Full load amps on motor model plate.

² Thermoplastic PVC socket style.

³ Product may have been evaluated to other state and local regulatory standards. Listing status may change. Always confirm status with appropriate agency if in doubt.

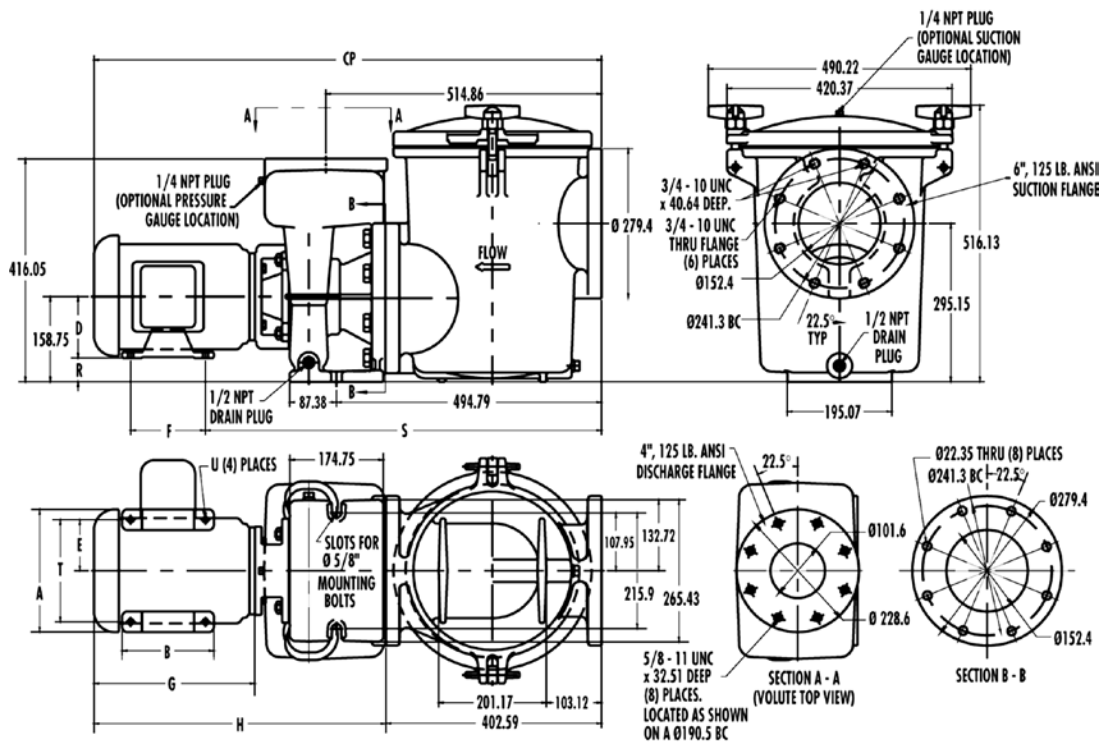
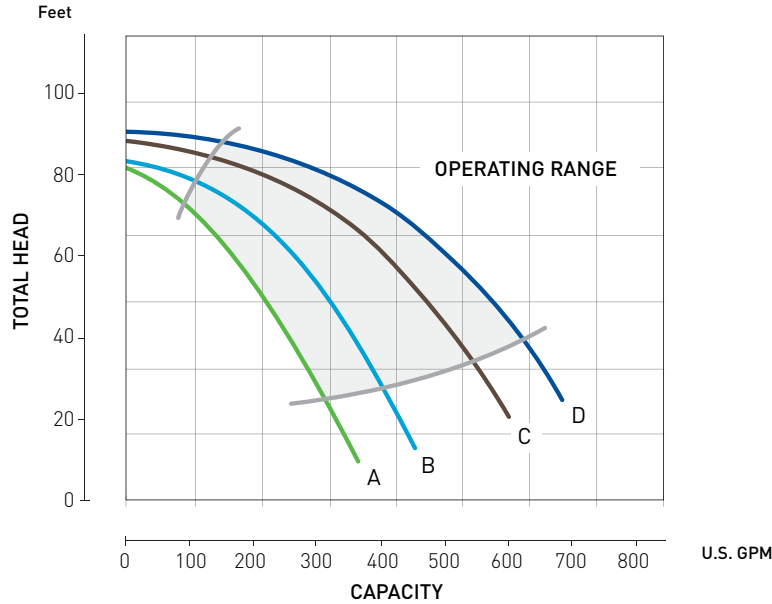
⁴ 'NSF(2)' indicates that product bears a mark signifying evaluation to NSF Standard 50 For Materials and Components.

See pages 258 for Hair and Lint Strainer Packages.

5CSP/5CCSP SERIES™

50 HERTZ COMMERCIAL SELF-PRIMING PUMP (CONT'D)

Dimensions and Performance



Catalog Number	A	B	CP	D	E	F	R	S	T
5CSPHJ	269.75	177.8	1039.62	133.25	107.95	139.7	25.4	733.3	215.9
5CSPHK	269.75	215.9	1075.69	133.25	107.95	177.8	25.4	733.3	215.9
5CSPHJ3	228.6	171.45	988.82	133.25	95.25	139.7	44.45	734.06	190.5
5CSPHK3	269.75	177.8	1039.62	133.25	107.95	139.7	25.4	733.3	215.9
5CSPHL3	269.75	215.9	1075.69	133.25	107.95	177.8	25.4	733.3	215.9
5CSPHM3	317.5	274.32	1185.67	158.75	127.0	209.55	—	793.75	254.0

All dimensions shown in millimeters.

D-SERIES™

CAST IRON SELF-PRIMING CENTRIFUGAL COMMERCIAL PUMP



D Series Cast Iron Self-Priming Centrifugal Commercial Pool Pump

CALIFORNIA PROPOSITION 65 WARNING
 ⚠️ **WARNING:** Cancer and Reproductive Harm.
 ⚠️ **AVERTISSEMENT:** Peut Causer le Cancer et des Dommages au Système Reproducteur.
 ⚠️ **ADVERTENCIA:** Cáncer y Daño Reproductivo.
www.p65warnings.ca.gov PN20074A

Featured Highlights

- Especially designed for commercial and public swimming pools and spas, aquatic facilities, water parks and fountain applications where high performance and self-priming characteristics are desired
- These self-priming, high performance pumps are available in high head and medium head models, providing a complete range of performance characteristics
- Motors are open drip-proof, continuous duty rated 3450 RPM.

Ordering Information

Product	Voltage	Amps ¹	HP	Primary Listings and Certifications ³	Port Size (NPT)	Carton Wt. (Lbs.)	Curve Key
STANDARD EFFICIENCY SINGLE PHASE HIGH HEAD							
DHH-169	230	13.4	3	NSF ²	1-1/2 in.	135	A
DMH-171	230	13.4	3	NSF ²	2 in.	135	C
STANDARD EFFICIENCY SINGLE PHASE MEDIUM HEAD							
DHJ-170	230	22.0	5	NSF ²	2 in.	178	B
DMJ-172	230	22.0	5	NSF ²	2-1/2 in.	178	D
STANDARD EFFICIENCY THREE PHASE HIGH HEAD							
DHH3-169	230/460	8.6/4.3	3	NSF ²	1-1/2 in.	135	A
DMH3-171	230/460	8.6/4.3	3	NSF ²	2 in.	135	C
STANDARD EFFICIENCY THREE PHASE MEDIUM HEAD							
DHJ3-170	230/460	13.2/6.6	5	NSF ²	2 in.	178	B
DMJ3-172	230/460	13.2/6.6	5	NSF ²	2-1/2 in.	178	D

* 200 Volt models available. Contact factory for details.

¹ Dimensions and Max Load Amps may vary per motor manufacturer.

² 'NSF(1)' indicates that pump bears a mark signifying evaluation to NSF Standard 50 For Self-Priming Centrifugal Pumps For Swimming Pools, Spas and Hot Tubs when installed with a NSF certified Hair and Lint Strainer.

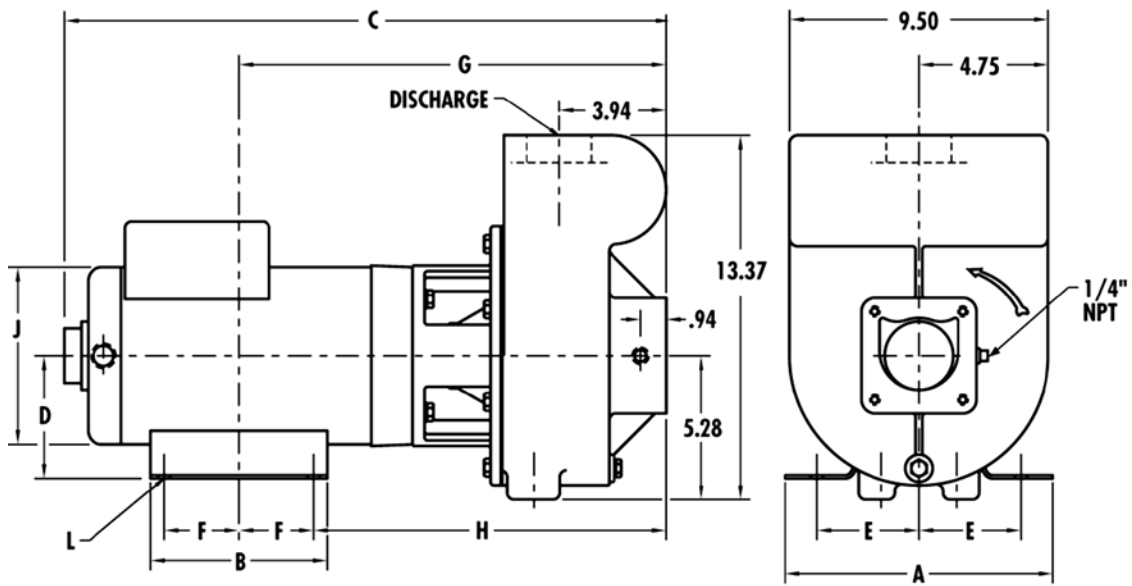
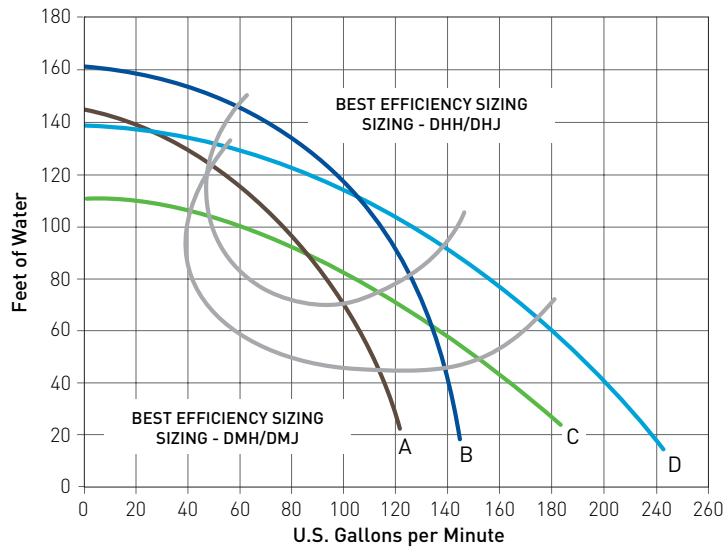
³ Product may have been evaluated to other state and local regulatory standards. Listing status may change. Always confirm status with appropriate agency if in doubt.

See pages 258 for Hair and Lint Strainer Packages.

D-SERIES™

CAST IRON SELF-PRIMING CENTRIFUGAL COMMERCIAL PUMP (CONT'D)

Dimensions and Performance



Note: "L" mounting dimension: .44 Slot = 3/8 in. Bolt .34 Diameter = 5/16 in.

Catalog Number	HP	Discharge (NPT)	A	B	C*	D	E	F	G	H	J	L
DHH-169	3	1-1/2	8.75	6.50	21.37	4.50	3.75	2.25	15.21	12.96	6.51	.44 SLOT
DHH3-169	3	1-1/2	6.50	6.50	19.87	3.50	2.75	2.50	14.45	12.20	6.51	.34 DIA.
DHJ-170	5	2	8.75	6.50	22.12	4.50	3.75	2.75	15.71	12.96	6.51	.44 SLOT
DHJ3-172	5	2	8.75	6.50	21.62	4.50	3.75	2.25	15.21	12.96	6.50	.44 SLOT
DMH-171	3	2	8.75	6.50	21.37	4.50	3.75	2.25	15.21	12.96	6.51	.44 SLOT
DMH3-171	3	2	6.50	6.50	19.87	3.50	2.75	2.50	14.45	12.20	6.51	.34 DIA.
DMJ-172	5	2-1/2	8.75	6.50	22.12	4.50	3.75	2.75	15.71	12.96	6.51	.44 SLOT
DMJ3-172	5	2-1/2	8.75	6.50	21.62	4.50	3.75	2.25	15.21	12.96	6.50	.44 SLOT

See page 548 for replacement parts.

AURORA® 3800 SERIES AND 410 SERIES

END SUCTION AND SPLIT CASE PUMPS



3801

Featured Highlights

- Multiple configurations available
- Models to 100 ft. TDH
- Compatible with Acu Drive™ XS VF Drive
- Cast Iron Stainless Steel Fitted Models
- Flooded Suction applications
- Highly reliable performance
- NSF approved models available
- Various flow capabilities for all applications
- Epoxy Coating option available
- ODP and TEFC motors in Standard and Premium efficiency available
- PS Series In-line Strainers match up to most Aurora pumps.

Pentair now offers the Aurora 3800 Series End Suction and the 410 Series Split Case Pumps for commercial pools, spas, and other water applications. The 3800 and 410 Series are available in horizontal and vertical configurations in horsepower's to 150 and flows to 8,000 GPM.

Ordering Information

Product	Description	Carton Wt. (Lbs.)
Please contact our factory (1-800-831-7133) for applications sizing, pricing, and availability.		
AURORA PUMP ACCESSORIES FLANGE ASSEMBLY KITS		
357259	Flange 2-1/2 in. w/ gasket and SS hardware ¹	16
357260	Flange 5 in. w/ gasket and SS hardware ¹	22
357261	Flange 3 in. w/ gasket and SS hardware ¹	18
357262	Flange 4 in. w/ gasket and SS hardware ¹	20
357263	Flange 6 in. w/ gasket and SS hardware ¹	23

¹ Thermoplastic PVC socket style.

CALIFORNIA PROPOSITION 65 WARNING

⚠️ **WARNING:** Cancer and Reproductive Harm.
 ⚠️ **AVERTISSEMENT:** Peut Causer le Cancer et des Dommages au Système Reproducteur.
 ⚠️ **ADVERTENCIA:** Cáncer y Daño Reproductivo.

www.p65warnings.ca.gov
PH205714

BERKELEY® B-SERIES

CENTRIFUGAL COMMERCIAL PUMPS



Featured Highlights

Where a large volume of water is needed, in flooded suction applications, Berkeley brand pumps can accommodate almost any water-moving needs. Berkeley brand pumps have been one of the top names in the water systems for decades. Once recognized for only being affiliated with irrigation and water systems, Berkeley pumps are now available in many configurations to be used in the following applications:

- Water features
- Water parks
- Aquaculture
- Commercial pools and spas

The pumps included in the chart below show just a small sampling of the many pump sizes and designs that are available. In addition, we offer a wide range of gpm/head configurations; 1200, 1750, or 3450 rpm motors; 50 or 60 Hz; optional high-efficiency motors; voltage, horsepower, and service factor options; lead-free bronze impellers; flange or threaded connection in many sizes; and packing or mechanical shaft seal design pumps. Flooded suction required. For a complete selection guide to help you size the pump(s) that best fit your needs, call our customer service at 1-800-831-7133, or use the convenient Berkeley Electronic Catalog (BEC) located at www.berkeleypumps.com.

- Berkeley pumps are not NSF approved.



Berkeley B-Series

CALIFORNIA PROPOSITION 65 WARNING
 ⚠️ **WARNING:** Cancer and Reproductive Harm.
 ⚠️ **AVERTISSEMENT:** Peut Causer le Cancer et des Dommages au Système Reproducteur.
 ⚠️ **ADVERTENCIA:** Cáncer y Daño Reproductivo.
www.p65warnings.ca.gov PN20214

Ordering Information

CALL FOR QUOTE

Product	General Pump Design Model	HP	Best Operating Performance G.P.M.	Connection at X ft. of Head	RPM	Flange (inches)
BERKELEY B-SERIES PUMPS						
B71943S	B3ZPMS	5 HP	350	40	1800	3 x 4
B71945S	B3ZPMS	7.5 HP	400	53	1800	3 x 4
B71947S	B3ZPMS	10 HP	500	60	1800	3 x 4
B71949S	B3ZPMS	15 HP	600	63	1800	3 x 4
B76775	B5EPHS	20 HP	950	60	1800	5 x 6
B76776	B5EPHS	25 HP	1050	65	1800	5 x 6
B75861	B4GPBHS	30 HP	1100	85	1800	4 x 6
B74945	B6JPBMS	40 HP	1500	80	1800	6 x 8
B76786	B8GPBMS	50 HP	2700	50	1800	8 x 10

Options: The above pumps have silicon bronze impellers, flanged connections, close-coupled, open drip-proof motors, and mechanical shaft seals. As mentioned in the text at the top of the page, many options are available. Please call our Customer Service at 800-831-7133 or try using the convenient "BEC" system at www.berkeleypumps.com.

BOOST-RITE® BOOSTER PUMP

PRESSURE-SIDE CLEANER PUMP



Boost-Rite
Booster Pump
(includes hose kit
and adapters)

CALIFORNIA PROPOSITION 65 WARNING

⚠ **WARNING:** Cancer and Reproductive Harm.
 ⚠ **AVERTISSEMENT:** Peut Causer le Cancer
 et des Dommages au Système Reproducteur.
 ⚠ **ADVERTENCIA:** Cáncer y Daño Reproductivo.
 www.p65warnings.ca.gov. PHS2017A

Featured Highlights

- Ideal replacement for pressure-side booster pumps
- 5-stage impeller design reduces electricity use
- Provides 50 psi@ 13.2 US GPM
- Includes Hose Adapter Kit (353040)
- Condensed size is 1/3 smaller than competing pumps, taking up less space on equipment pad
- Larger wiring compartment for easy access and installation
- UL and cUL listed; 60 Hz; 1-Phase

It's advanced 5-stage impeller design delivers greater water pressure for more powerful cleaning. Boost-Rite Booster Pump has 1" fittings which allow for better flow and efficiency. The Totally Enclosed Fan Cooled (TEFC) motor design allow the pump to run cooler and quieter.

Ordering Information

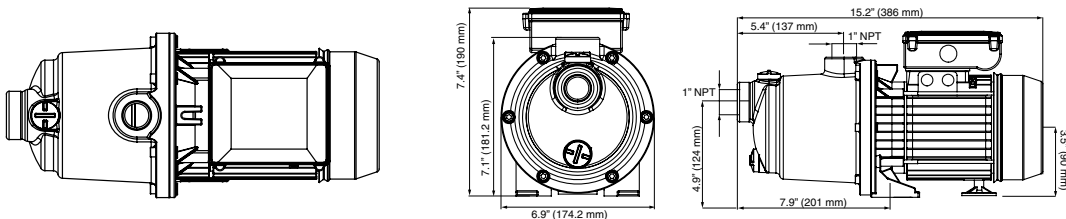
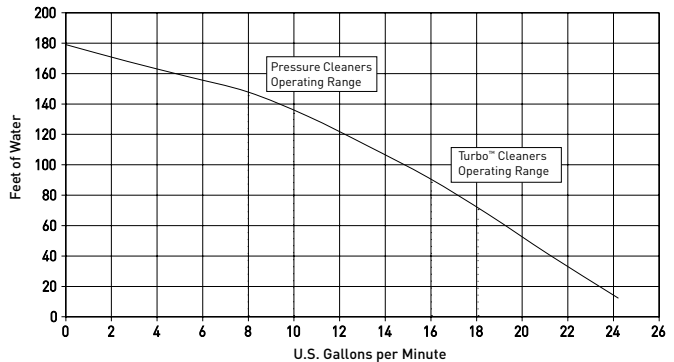
Product	Voltage	Full Load Amps	HP	SF	SFHP	Primary Listings and Certifications ²	Port Size (NPT)	Carton Wt. (Lbs.)
ENERGY EFFICIENT SINGLE SPEED								
LA-MS05	115/230	10.2/5.1	1.1	1.0	1.1	UL ¹	1"	26.5
ACCESSORIES								
353040	Boost-Rite Pump Hose Kit (includes 3/4" - 1" Adapters (2); 6 ft. Hose (1))							
353094	Boost-Rite Pump 1" Hose Fitting Kit							

¹ 'UL' indicates that pump bears a specific UL mark signifying evaluation to U.S. Standards UL1081 for Permanently Connected Swimming Pool and Spa Pumps and to Canadian Standards CAN/CSA C22.2 No. 108-01 Liquid Pumps For Swimming Pools And Spas. (Enclosure 3).

² Product may have been evaluated to other state and local regulatory standards. Listing status may change. Always confirm status with appropriate agency if in doubt.

• **Pumps and replacement motors that are single speed and one (1) Total HP or greater cannot be sold, offered for sale, or installed in a residential pool for filtration use in California, Title 20 CCR sections 1601-1609.**

Dimensions and Performance



See page 551 for replacement parts.

BOOSTER PUMP

PRESSURE-SIDE CLEANER PUMP

Featured Highlights

- Use with all pressure-side pool cleaners
- Hose and adapters included
- Ideal for pressure-side Booster pump replacement

Combines ultimate performance with efficiency for pressure-side pool cleaner ease. The 3/4 HP booster pump is made from durable, corrosion-proof materials, and provides 50 psi at 12 GPM.

CALIFORNIA PROPOSITION 65 WARNING
 ⚠️ **WARNING:** Cancer and Reproductive Harm.
 ⚠️ **AVERTISSEMENT:** Peut Causer le Cancer et des Dommages au Système Reproducteur.
 ⚠️ **ADVERTENCIA:** Cáncer y Daño Reproductivo.
www.p65warnings.ca.gov P65B0714



Booster Pump

Hose and adapters included



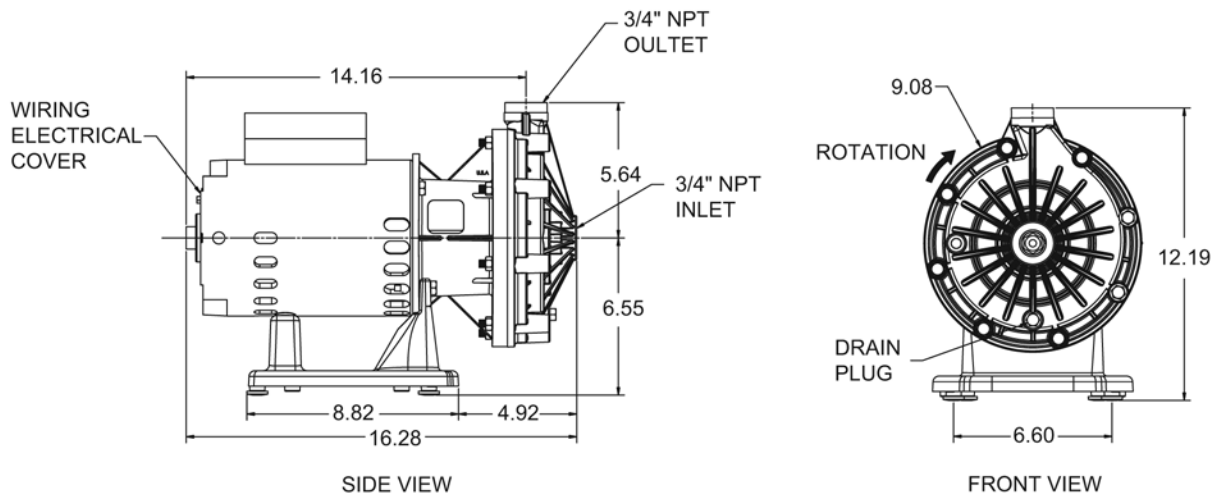
Ordering Information

Product	Voltage	Full Load Amps	HP	SF	SFHP	Primary Listings and Certifications ²	Port Size (NPT)	Carton Wt. (Lbs.)
ENERGY EFFICIENT SINGLE SPEED								
LA01N	115/230	13.0/6.5	3/4	1.50	1.13	UL ¹	3/4 in. x 3/4 in.	32
ACCESSORIES								
353020	Booster Pump Hose Kit							4
370239	Booster Pump Adapter Kit (4 hose adapters in a bag, no hose)							

¹ 'UL(2)' indicates that pump bears a UL mark signifying evaluation to U.S. Standards UL1081 for Permanently Connected Swimming Pool Pumps Only.

² Product may have been evaluated to other state and local regulatory standards. Listing status may change. Always confirm status with appropriate agency if in doubt.

Dimensions and Performance



See page 552 for replacement parts.

PCD-1000 SUBMERSIBLE PUMP

STAINLESS STEEL SUBMERSIBLE POOL SERVICE PUMP



Submersible Pool Service Pump

Featured Highlights

- 115V, 60 Hz single phase, permanent split capacitor motor
- Automatic thermal overload protection
- Clog-resistant cast stainless steel impeller
- Accommodates water temperatures ranging from 32 degrees F to 130 degrees F
- Permanently lubricated ball bearings
- Equipped with 15-foot, 18/3 grounding type power cord
- Convenient top-mounted handle
- Rubber feet to eliminate scratching
- Optional float switch included

The PCD-1000 submersible, portable, high capacity pump designed for use by the professional in draining pools and spas as well as for general purpose applications, now has improved flow rates, and stainless steel casing, suction strainer, impeller and shaft for greater corrosion resistance and longer service life.

The PCD-1000 can pump water down to 1-3/8 inches in depth. Debris and stones up to 3/4 inch are able to pass through the pump. It also features a 1-1/4 inch discharge port for faster draining. Discharge port adaptors are included. Optional float switch included; switch stops pump when low water level reached. Remove float switch for constant run.

CALIFORNIA PROPOSITION 65 WARNING
 ⚠️ **WARNING:** Cancer and Reproductive Harm.
 ⚠️ **AVERTISSEMENT:** Peut Causer le Cancer et des Dommages au Système Reproducteur.
 ⚠️ **ADVERTENCIA:** Cáncer y Daño Reproductivo.
www.p65warnings.ca.gov P182011A

Adaptors included:

- 1-1/4 in. Female NPT Elbow
- 1-1/4 in. Male NPT to 1-1/2 in. Female NPT Adaptor



Optional Float Switch Included



Ordering Information

Product	Description	Voltage	Full Load Amps	HP	Carton Wt. (Lbs.)
STAINLESS STEEL SUBMERSIBLE WITH BRASS BASE					
PCD-1000	Submersible Utility Pump	115	6.4	3/4	15
ACCESSORIES					
ZBR46760	Replacement Float Switch				

Dimensions and Performance

Model	HP	Motor Full Load (Amps)	RPM	Minimum Circuit Req.	Liquid Temperature Range	Switch Setting		Pumps Down To
						On	Off	
PCD-1000	3/4	6.4	3450	15 amps	32/130°F 0/54°C	12" 30 cm	6" 15.2 cm	1 3/8" 3.5 cm

Pump Performance TDH/GPM						Shut Off Head
TDH	5'	10'	15'	20'	25'	28
GPM	55	45.5	36.5	25	8.5	N/A

PARTS-PAKS™ AND ACCESSORIES

POINT-OF-SALE, STOCK ROOM, SERVICE VEHICLE



OVERHAUL KITS – Attractive, clamshell packaging contains recommended parts for seal/gasket servicing or complete overhaul of most swimming pool/spa pumps. Eliminate the need for large parts inventories, protect parts from damage, and reduce paperwork.

Ordering Information

Pump Model by HP				
Product	PE, P2R	PEA, P2RA	PR	PRA
SEAL/GASKET KITS – Include shaft seal, gaskets, and O-rings				
PP1010	1/3	1/3, 1/2		1/2
PP1011	1/2	3/4	1/2	3/4
PP1012			3/4	1
PP1014	3/4	1		
PP1016	1	1-1/2		
PP1017	2	2-1/2	2	2-1/2
PP1018	1-1/2	2		
PP1019	3			



Pump Model by HP			
Product	CH, LT, L1	LHA, LTA, L1A	PCD
SEAL/GASKET KITS – Include shaft seal, gaskets, and O-rings			
PP1080	1/6		
PP1081	1/3	1/2	
PP1082	1/2	3/4	
PP1682			1/2

Pump Model by HP			
Product	P4E, P4R	P4EA, P4RA	MPRA, MPEA
SEAL/GASKET KITS – Include shaft seal, gaskets, and O-rings			
PP4010	3/4	1	
PP4011	1	1-1/2	
PP4012	1-1/2	2	
PP4013	2	2-1/2	
PP4014	3		
PP3010			3/4
PP3011			1
PP3012			1-1/2
PP3013			2

CALIFORNIA PROPOSITION 65 WARNING
 ⚠️ **WARNING:** Cancer and Reproductive Harm.
 ⚠️ **AVERTISSEMENT:** Peut Causer le Cancer et des Dommages au Système Reproducteur.
 ⚠️ **ADVERTENCIA:** Cáncer y Daño Reproductivo.
www.p65warnings.ca.gov P8381744

Product	Description	Carton Wt. (Lbs.)
SEAL/GASKET KITS – Include shaft seal, gaskets, and O-rings		
PP1075	LH, LHA, LT, LTA, L1, L1A - All HP	
PP3000	MPRA, MPEA - All HP	
PP1000	PE, PEA, PR, PRA, P2R, P2RA (models with copper insert pre-1998) - All HP	
PP4000	P4E, P4EA, P4R, P4RA (models with copper insert pre-1998) - All HP	
PP1200	PE, PEA, P2R, P2RA (models without copper insert beginning 1998) - All HP	
PP4200	P4E, P4EA, P4R, P4RA (models without copper insert beginning 1998) - All HP	
TRAP LID KITS – Include trap lid and trap lid o-ring		
PP2075	PE, PEA, PR, PRA, P2R, P2RA (with 5 in. trap – standard) - ALL HP	
PP4075	P4E, P4EA, P4R, P4RA, MPR, MPE (with 6 in. trap – standard) - ALL HP	
PUMP CONNECTOR UNION HALF (WILL NOT FIT DJ OR TP SERIES PUMPS)		
PKG 188Z	2 in. Union x 2 in. Slip, 2 per Pkg.	1
PKG 189	2 in. Union x 2 in. FPT, 2 per Pkg.	1
77703-0100	2 in. Union x 1-1/2 in. FPT, 2 per Pkg.	1
77703-0101	2 in. Union x 1-1/2 in. Slip, 2 per Pkg.	1
PUMP BASE NOISE REDUCER		
17350-0008	Rubber Pump Base Pad for MPR, P4R, P4E, TPR, TPE Models	1

HAIR AND LINT STRAINER PACKAGES

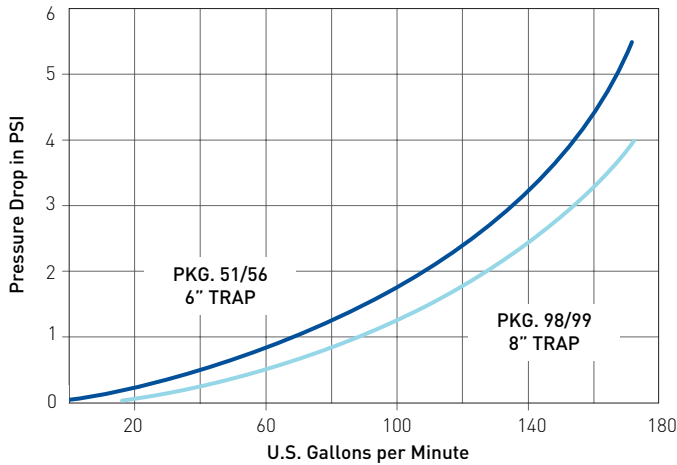


Ordering Information

Product	Description	Suction Port Size	Carton Wt. (Lbs.)
HAIR AND LINT STRAINER PACKAGES			
PKG 115	5 in. Trap with Basket (For Dura-Glas, Max-E-Glas and JWP Pumps)	1-1/2 in. NPT	5
PKG 51	6 in. Cast Iron Trap with Basket (For C, CC, and D Series Pumps)	2 in. NPT	20
PKG 56	6 in. Bronze Trap with Basket (For C, CC, and D Series Pumps)	2 in. NPT	20
PKG 98	8 in. Cast Iron Trap with Basket (For C, CC, and D Series Pumps)	3 in. NPT	40
PKG 76	Cast Iron Flange for Remote Trap Install	3 in. NPT	4
PKG 161	6 in. PPO Resin Strainer (For P2R, PE Series, Dura-Glas and Max-E-Glas Pumps)	2 in. NPT	6
PKG 184	CSP Series Hair and Lint Strainer (1100 cu. in. capacity)	6 in. ANSI Flange	180
PKG 184C	CCSP Series Hair and Lint Strainer – Coated (1100 cu. in. capacity)	6 in. ANSI Flange	180
PKG 73	3 in. Suction Flange (For C, CC, and D Series Pumps)		
PKG 72	2.5 in. Suction Flange (For C, CC, and D Series Pumps)		
PKG 52	1.5 in. Suction Flange (For C, CC, and D Series Pumps)		
PKG 53	1.5 in. Suction Flange (For C, CC, and D Series Pumps)		

CALIFORNIA PROPOSITION 65 WARNING
 ⚠️ **WARNING:** Cancer and Reproductive Harm.
 ⚠️ **AVERTISSEMENT:** Peut Causer le Cancer et des Dommages au Système Reproducteur.
 ⚠️ **ADVERTENCIA:** Cáncer y Daño Reproductivo.
www.p65warnings.ca.gov

Dimensions and Performance



PKG 76



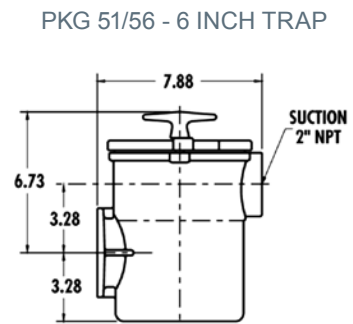
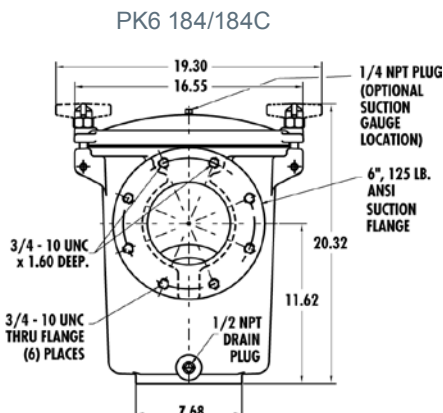
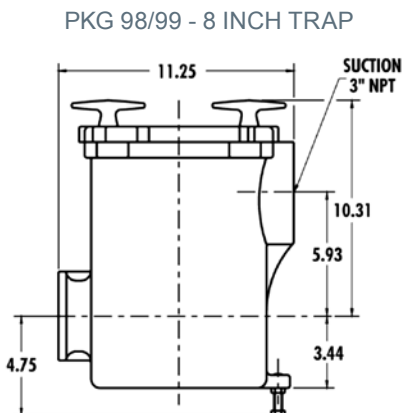
PKG 98 - 8 in.



PKG 184 - 8 in.



PKG 51 - 5 in. OR 6 in.



PS SERIES™ IN-LINE STRAINER

FOR COMMERCIAL SERIES PUMPS

Featured Highlights

- Superior design for hydraulic performance
- Clear lid with easy access allows for simple visibility of debris
- Extra large stainless steel strainer basket
- 50 psi rating
- NSF listed



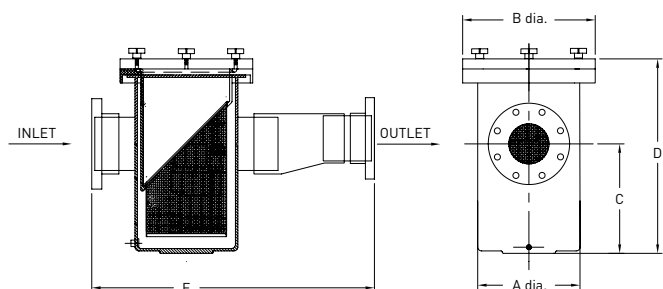
PS Series In-Line Strainer

CALIFORNIA PROPOSITION 65 WARNING
 ⚠️ **WARNING:** Cancer and Reproductive Harm.
 ⚠️ **AVERTISSEMENT:** Peut Causer le Cancer et des Dommages au Système Reproducteur.
 ⚠️ **ADVERTENCIA:** Cáncer y Daño Reproductivo.
www.p65warnings.ca.gov PS-2017-14

The Commercial PS Series In-Line Strainers from Pentair are designed for ease of installation and hydraulic efficiencies in commercial aquatics applications. In three standard sizes and with the addition of eccentric reducers PS Series strainers fit with almost any plumbing configuration. The design of the PS Series accommodates the high-flow performance in a variety of applications. ANSI flange bolt pattern allows for ease of installation and peace of mind.

Ordering Information

Product	Description	Flange Size		Typical Max. Flow (GPM)	A (Inches)	B (Inches)	C (Inches)	D (Inches)	E (Inches)
		Inlet (suction)	Outlet (pump)						
PS SERIES 6 INCH SUCTION									
PS6X6	Straight	6 in.	6 in.	540	12-3/4	16-1/2	13-5/8	25-1/2	23-5/8
PS6X5E	Eccentric Reducing	6 in.	5 in.	540	12-3/4	16-1/2	13-5/8	25-1/2	35-1/4
PS6X4E	Eccentric Reducing	6 in.	4 in.	540	12-3/4	16-1/2	13-5/8	25-1/2	32-7/8
PS6X3E	Eccentric Reducing	6 in.	3 in.	540	12-3/4	16-1/2	13-5/8	25-1/2	38
PS SERIES 8 INCH SUCTION									
PS8X8	Straight	8 in.	8 in.	930	12-3/4	16-1/2	13-5/8	25-1/2	23-3/8
PS8X6E	Eccentric Reducing	8 in.	6 in.	930	12-3/4	16-1/2	13-5/8	25-1/2	35-7/8
PS8X5E	Eccentric Reducing	8 in.	5 in.	930	12-3/4	16-1/2	13-5/8	25-1/2	43-1/2
PS8X4E	Eccentric Reducing	8 in.	4 in.	930	12-3/4	16-1/2	13-5/8	25-1/2	41-1/4
PS SERIES 10 INCH SUCTION									
PS10X10	Straight	10 in.	10 in.	1470	12-3/4	16-1/2	20-5/8	32-1/2	24-1/2
PS10X8E	Eccentric Reducing	10 in.	8 in.	1470	12-3/4	16-1/2	20-5/8	32-1/2	38-3/4
PS10X6E	Eccentric Reducing	10 in.	6 in.	1470	12-3/4	16-1/2	20-5/8	32-1/2	47
PS10X5E	Eccentric Reducing	10 in.	5 in.	1470	12-3/4	16-1/2	20-5/8	32-1/2	54-1/2
BASKETS									
67150	PS6 and PS8 Basket								
67152	PS10 Basket								



Dimensions and Performance

1. Select inlet size based on size of suction pipe. Use chart above to determine Typical Max. Flow in pipe size based on flow velocity of 6 fps.
2. Select strainer outlet size to match pump inlet where practical.
3. Also available with custom flange sizes. Call factory for more information.

CONVERSION REFERENCE CHARTS

1 U.S. Gallon/Minute = 0.22712470704 Cubic Meter/Hour
1 U.S. Gallon/Minute = 0.83267418463 UK Gallon/Minute
1 Foot of Water/Head = 0.30487804878 Meter of Water/Head
1 Foot of Water/Head = 0.43352750193 Pound/Square Inch

Pressure to Head Conversion		
Feet of Water	Meters of Water	PSI
10	3.05	4.34
20	6.10	8.67
30	9.15	13.01
40	12.20	17.34
50	15.24	21.68
60	18.29	26.01
70	21.34	30.35
80	24.39	34.68
90	27.44	39.02
100	30.49	43.35
110	33.54	47.69
120	36.59	52.02
130	39.63	56.36
140	42.68	60.69
150	45.73	65.03

Volumetric Flow Rate Conversion		
US Gallons per Minute	Cubic Meters per Hour	British Gallons per Minute
10	2.27	8.33
20	4.54	16.65
30	6.81	24.98
40	9.09	33.31
50	11.36	41.64
60	13.63	49.96
70	15.90	58.29
80	18.17	66.62
90	20.44	74.94
100	22.71	83.27
110	24.98	91.60
120	27.26	99.92
130	29.53	108.25
140	31.80	116.58
150	34.07	124.91
160	36.34	133.23
170	38.61	141.56
180	40.88	149.89
190	43.15	158.21
200	45.43	166.54
210	47.70	174.87
220	49.97	183.19
230	52.24	191.52
240	54.51	199.85
250	56.78	208.18
260	59.05	216.50
270	61.32	224.83
280	63.60	233.16
290	65.87	241.48
300	68.14	249.81
310	70.41	258.14
320	72.68	266.46
330	74.95	274.79
340	77.22	283.12
350	79.49	291.45
360	81.77	299.77
370	84.04	308.10
380	86.31	316.43
390	88.58	324.75
400	90.85	333.08