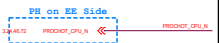


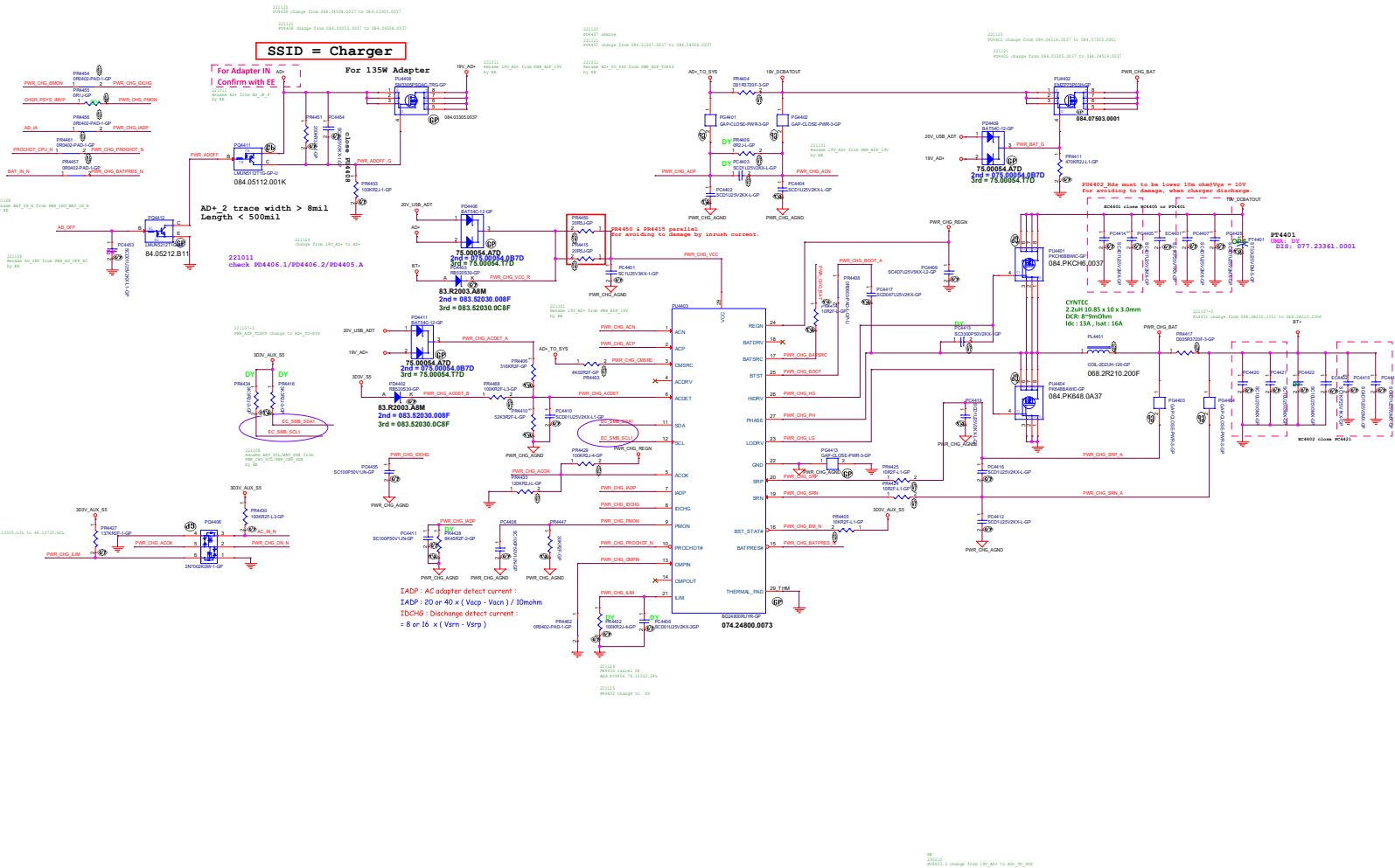
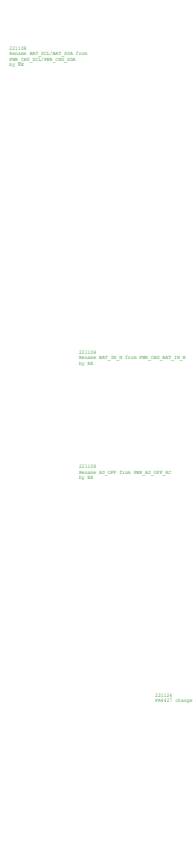
**OFFPAGE**



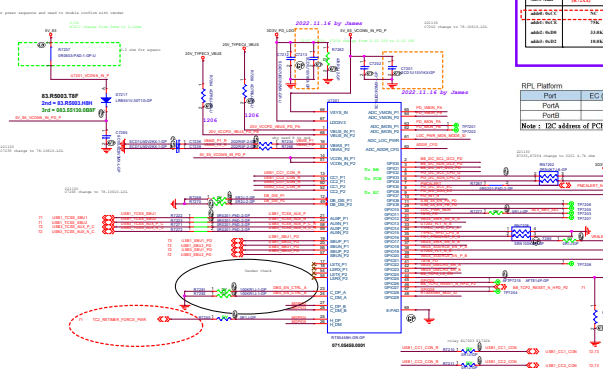
**Discharge Current**



**PMON: Total system power(PSYS)**



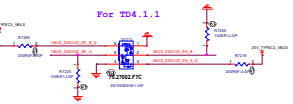
**RTS5458H**



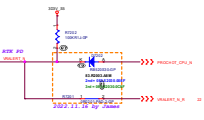
RPI Platform

Port	EC (7-bit addr)	PCI (7-bit addr)	BBR-1 (7-bit addr)	BBR-2 (7-bit addr)
PortA	D40	D40	NA	NA
PortB	D47	D47	NA	NA

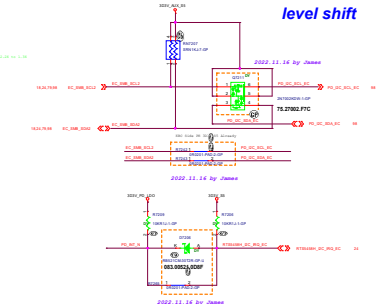
Note: I2C address of PCI and BBR defined by TBT team.



**PROCHOT\_ALERT**

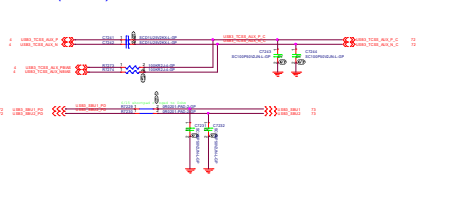


**level shift**



11/09 reserved for PD power

**FOR B Port (USB+DP)**



**Level Shift to BB**

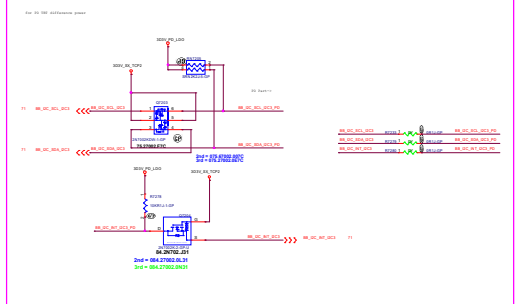


Table 1  
Port A

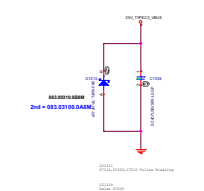
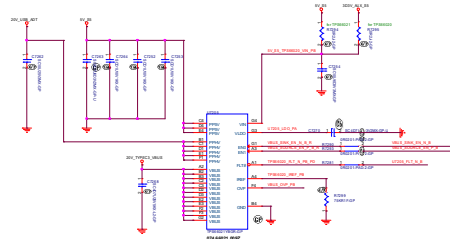
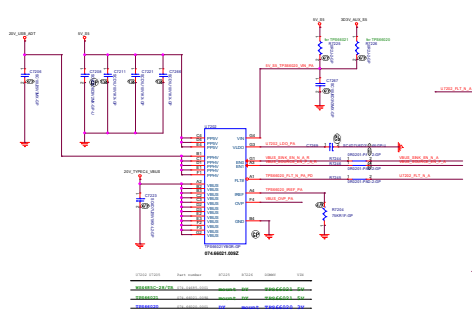
MOD_ID	RTS5458H part	REG_CFG_PWR	EPID2	configuration
1	HC	10K	Pull-up	USB mode with 1 external I2P
2	7SK	10K	Pull-up	MF with 10K I2P source without AC in
3	7SK	10K	Pull-up	USB mode with 2 external I2P
4	10K	10K	Pull-up	MF I2P
5	HC	10K	Pull-down	TBT-A single edge I2P
6	7SK	10K	Pull-down	Reserved
7	7SK	10K	Pull-down	Reserved
8	10K	10K	Pull-down	Reserved

Note: Pull up/Pull-down=10K

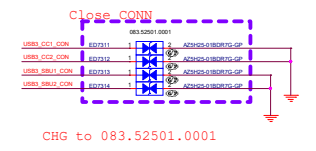
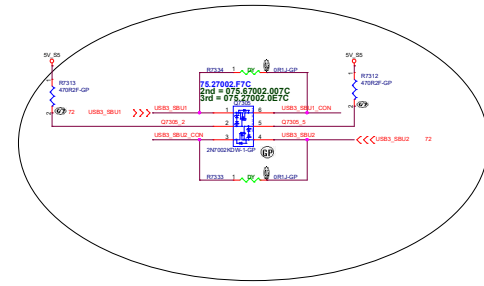
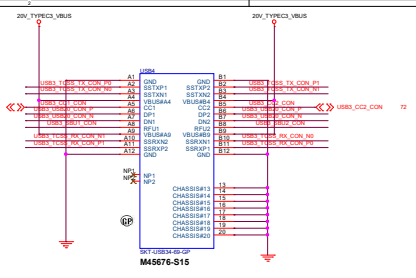
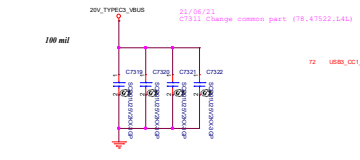
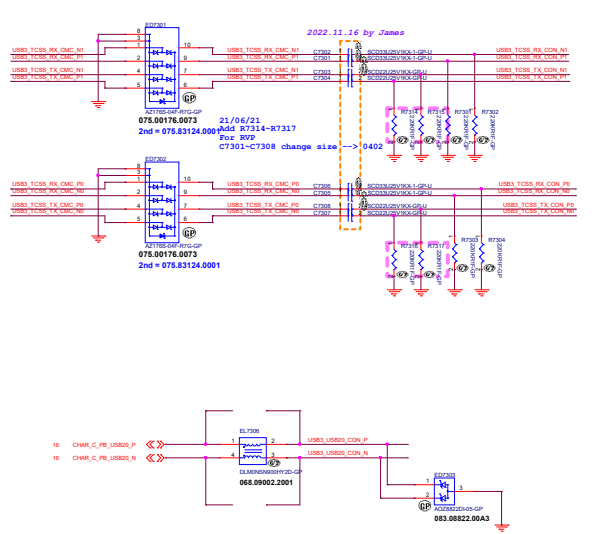
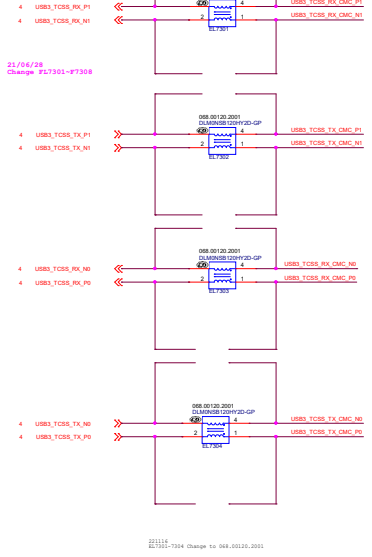
Table 2  
Port B

MOD_ID	MEP12	MEP13	MEP15	configuration
1	Pull-down	Pull-down	Pull-down	USB mode with 1 external I2P
2	Pull-down	Pull-down	Pull-down	MF with 10K I2P source without AC in
3	Pull-down	Pull-up	Pull-down	USB mode with 2 external I2P
4	Pull-down	Pull-up	Pull-up	MF I2P
5	Pull-up	Pull-down	Pull-down	TBT-A single edge I2P
6	Pull-up	Pull-down	Reserved	Reserved
7	Pull-up	Pull-down	Reserved	Reserved
8	Pull-up	Pull-up	Reserved	Reserved

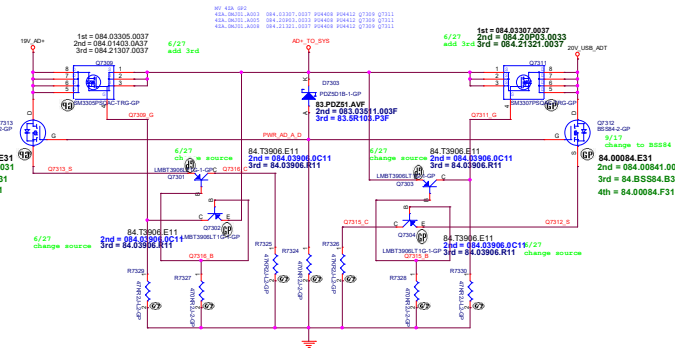
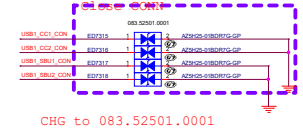
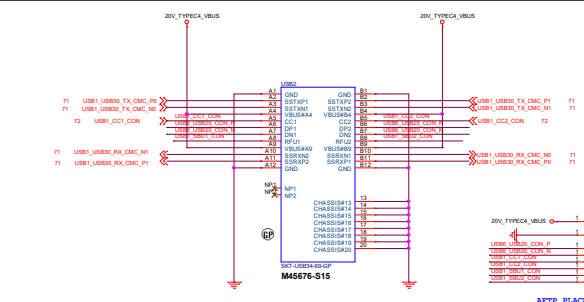
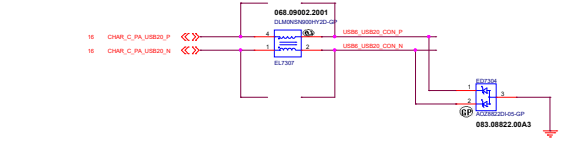
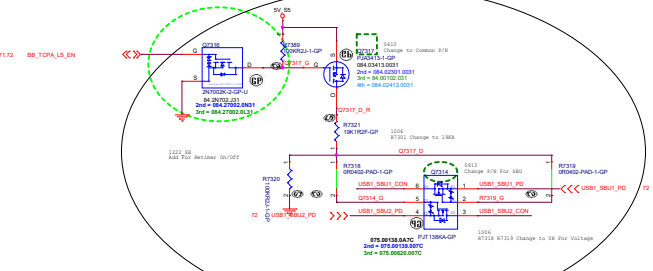
Note: Pull up/Pull-down=10K



**USB Type C Connector**  
**OUTPUT=3A**  
**B Port CONN(USB+DP)**



**A Port CONN(TBT+USB+DP)**



SR  
 230208  
 C7319 C7320 C7332 C7333 change to DT  
 E07319 E07316 E07311 E07312 change to DT (SR1)  
 230315  
 C7319 C7320 C7332 C7333 change to mount