

Spare Parts Catalogue

SCC324HF-2EN2

Valid from roller serial number:
10000315x0A000001 -



Diesel engines:
Cummins QSB 3.3

Published catalogue issues valid for these rollers:

<i>Catalogue</i>	<i>Issue date</i>	<i>Valid for serial numbers</i>
SCC324HF-2EN1	2010-02	Replaced by SCC324HF-2EN2
SCC324HF-2EN2	2010-10	10000315x0A000001 -



RESERVDLSBESTÄLLNING

Följande uppgifter ska lämnas vid beställning av reservdelar för att undvika leveransfel:

1. Maskintyp.
2. Vältens serienummer.
3. Antal av önskad reservdel.
4. Reserdelens artikelnummer.
5. Reservdelens benämning.
6. Måttuppgifter vid beställning av metervara.

ORDERING SPARE PARTS

To avoid errors in delivery, please give the following information when ordering spare parts:

1. Type of machine.
2. Roller serial number.
3. Quantity required.
4. Part number.
5. Parts denomination.
6. Dimensions when ordering per length.

ERSATZTEILBESTELLUNG

Zur Vermeidung von Fehllieferungen sind bei der Bestellung von Ersatzteilen folgende Angaben zu machen:

1. Maschinentyp.
2. Herstellungsnummer.
3. Bestellmenge. (Quantity)
4. Ersatzteilnummer. (Part N°)
5. Ersatzteilbenennung. (Denomination)
6. Massangaben bei Bestellung von Meterware.

ORDINI DI RICAMBI

Per evitare errori nelle consegne di ricambi, Vi preghiamo di comunicarci le seguenti informazioni al momento dell'ordinazione:

1. Tipo di macchina.
2. Numero di serie della macchina.
3. Quantità dei pezzi desiderati. (Quantity)
4. Numero di codice del pezzo. (Part N°)
5. Descrizione del pezzo di ricambio. (Denomination)
6. Misura, in caso di ordine per metro.

PEDIDO DE RECAMBIOS

Para evitar errores en las entregas, deberán indicarse los siguientes datos al hacer un pedido de recambios:

1. Tipo de máquina.
2. Número de serie.
3. Cantidad de piezas deseadas. (Quantity)
4. Número de artículo de la pieza de recambio. (Part N°)
5. Denominación de la pieza. (Denomination)
6. Indíquese la medida al solicitar un artículo que se expide por metros.

COMMANDE DE PIECES DE RECHANGE

Les indications suivantes doivent être fournies lors de la commande de pièces de rechange, afin d'éviter toute erreur de livraison:

1. Type de machine.
2. Numéro de série.
3. Quantité désirée de pièce de rechange. (Quantity)
4. Numéro de la pièce de rechange. (Part N°)
5. Dénomination de la pièce de rechange. (Denomination)
6. Longueur en cas de commande au mètre.

YOUR AGENT/DEALER:

PÄRMETIKETT

För att undvika fel vid reservdelsbeställning finns här nedan två etiketter som passar i fickorna på pärmarnas ryggar. På dessa kan man se från vilket vältnummer av aktuell maskin reservdelskatalogen gäller. Gör så här:

1. Tag denna sida ur pärmen.
2. Klipp ut etiketten till **VÄNSTER** (1) och sätt in den i fickan på **DENNA** pärmens rygg.
3. Finns det en etikett till **HÖGER** (2), kan denna användas på pärmen för **FÖREGÅENDE** utgåva av denna katalog.
4. Kasta detta papper.

KATALOG-BESCHRIFTUNG

Zur Vermeidung von Fehlern bei der Ersatzteilbestellung benutzen Sie bitte die unteren Beschriftungen, um die Kataloge auf der Rückseite zu kennzeichnen. Auf der Beschriftung ist angegeben, für welche Maschinennummern der jeweilige Katalog gültig ist. Ablauf:

1. Nehmen Sie dieses Blatt aus dem Katalog.
2. Schneiden Sie die **LINKE** Beschriftung (1) aus. Schieben Sie die Beschriftung in die tasche auf **DEM** Katalogrücke.
3. Sollte die Beschriftung unten **RECHTS** (2) mitgeliefert werden, kennzeichnen Sie damit bitte die **ÄLTERE** Ausführung dieses Kataloges.
4. Den Rest dieses Blattes bitte vernichten.

ETIQUETA PARALA CARPETA

Para evitar errores al pedir repuestos utilicen las etiquetas abajo descritas para identificar los catálogos en la parte trasera de la carpeta. En la etiqueta se ven los números de referencia de la serie para la cual es válido el catálogo. Instrucciones:

1. Quitar esta página de la carpeta.
2. Corta la etiqueta **IZQUIERDA** (1) y ponerla en la parte trasera de la carpeta.
3. Si hay una etiqueta en la parte **DERECHA** (2) se puede utilizar en la carpeta para el catálogo que **PRECEDE** a esta.
4. Tirar esta hoja.

BINDER LABEL

To avoid errors when ordering spare parts use the labels below to identify the catalogues on the back of the binder. The label contain the serial number range for which the catalogue is valid. Do like this:

1. Remove this page from the binder.
2. Cut out the **LEFT** label (1) and put it on **THIS** binders back.
3. If there is a label to the **RIGHT** (2), it can be used on the binder for **PRECEDING** issue of this catalogue.
4. Throw away this paper.

ETICHETTA POSTA SUL RACCOGLITORE

Per evitare errori quando ordinate pezzi di ricambio, usate le etichette in calce che servono ad identificare i cataloghi sul retro del raccoglitore. L'etichetta indica il numero di matricola delle macchine prese in considerazione nel catalogo.

1. Rimuovete questa pagina dal raccoglitore.
2. Ritagliate l'etichetta posta a **SINISTRA** (1) e ponetela sul retro **DEL** raccoglitore.
3. Se trovate anche un'etichetta sulla **DESTRA** (2), ritagliatela e ponetela sul raccoglitore relativo alla **PRECEDENTE** edizione del catalogo.
4. Distruggete questo foglio.

ETIQUETAGE DU CATALOGUE

Afin d'éviter des erreurs lors de commandes de pièces de rechange, nous vous conseillons d'apposer les marquages ci-dessous à l'arrière du classeur, pour identifier les catalogues. Ce marquage indique les numéros de série pour lesquels le catalogue est adapté. Il convient de procéder de la façon suivante:

1. Retirez cette page du classeur.
2. Découpez l'étiquette de **GAUCHE** (1), et apposez-la à l'arrière de **CE** catalogue.
3. Si il y a une étiquette à **DROITE** (2), vous pourrez l'apposer sur le classeur de l'édition **PRECEDENTE** du catalogue.
4. Détruire cette feuille.

1.



TABLE OF CONTENTS

	Page
CC324HF SN 10000315x 0A000001 -	2
Service kits	4
4700950174 Service kit 50h, Cummins QSB 3.3	6
4700939076 Service kit 250 / 750 h	8
4700950175 Service kit 500h, Cummins QSB 3.3	10
4700950176 Service kit 1000h, Cummins QSB 3.3	12
Repair kits	14
4812155792 Eccentric shaft kit CC224HF/324HF/384HF	16
4700945908 Scraper kit CC324HF/334HF/424HF	18
4812155158 Shock absorber kit, drum CC224HF/324HF/384HF	20
Steering hitch kits	22
Frame	24
Front frame	26
Front frame module	28
4700391023 Steering cylinder	30
Steering hitch lock	32
Tank structure module	34
Sprinkler tank structure mount	36
4700391307 Cover	38
Hose support	40
Hitch module	42
Steering hitch	44
Grab handle module	46
Rear frame	48
Rear frame	50
Cover	52
Engine structure, module	54
Engine structure	56
Engine cover, left	58
Engine cover, right	60
Hose support	40
Radiator assembly	62
Fan assembly	64
Noise suppression plates	66
4700396638 Noise suppression kit, covers	68
Stabilizer module	70
Sprinkler system	72
Sprinkler pump module	74
Sprinkler pump	76
Sprinkler pump	78
Sprinkler pump, backup	80
Sprinkler pump, additonal sprinkler/cocoa mat	82
Sprinkler pumps	84
Sprinkler pumps	86
Filling pipe	88
Locking device module	90
Water hoses	92
End frame, front	94
End frame, front	96
Frame assy	98
Fork, vibration side	100

TABLE OF CONTENTS

	Page
Fork, propulsion side	102
Cover plate	104
Hose clamp, propulsion side	106
Hose clamp, vibration side	108
Step, vibration side	110
Scraper module, without nozzles	112
Scraper assy	114
Scraper module, with nozzles	116
Scraper assy with nozzles	118
4700394340 Scraper bracket, cpl	120
Grab handle, release	122
Grab handle, release	124
Grab handle, lift	126
Grab handle, lift offset/cocoa mat	128
Eyelet module	130
Cocoa mat module	132
Cocoa mat assembly	134
Cocoa mat bracket module	136
Cocoa mat bracket	138
Process mirrors	140
End frame, rear	142
End frame, rear	144
Frame assy	98
End frame, rear offset	146
Frame	148
Connection block	150
Micro switch	152
Fork, vibration side	100
Fork, propulsion side	102
Step, vibration side	110
Hose clamp, propulsion side	106
Hose clamp, vibration side	108
4700394340 Scraper bracket, cpl	120
Scraper module, without nozzles	112
Scraper assy	114
Cover plate	104
Eyelet module	130
SMV-sign	154
Grab handle, release	124
Grab handle, lift	126
Grab handle, lift offset/cocoa mat	128
Cocoa mat module	132
Cocoa mat assembly	134
Cocoa mat bracket module	136
Cocoa mat bracket	138
Drum	156
Drum	158
Drum bearing	160
Drive unit	162
4700392453 Drum gear	164
Vibrating unit	166
Engine	168

TABLE OF CONTENTS

Page

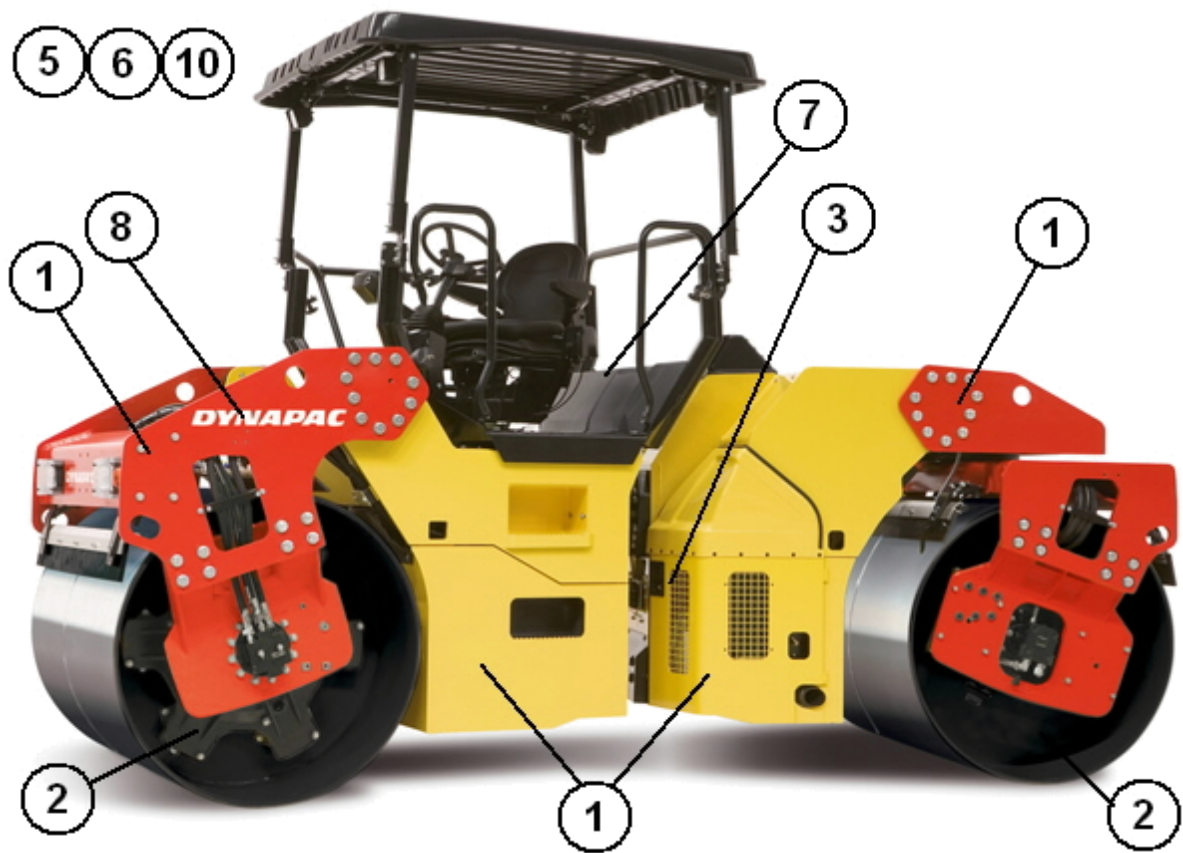
Engine room	170
Engine	172
Engine module	174
Air cooler hoses	178
Water cooler hoses	180
Air cleaner module	182
Air cleaner hose module	184
Muffler	186
Exhaust pipe module	188
Fuel hose module	190
Charge air cooler	192
Water cooler	194
Expansion tank assembly	196
Coolant hoses	198
Hydraulic system	200
Hydraulic system, front drum	202
Hydraulic system, rear drum std	204
Hydraulic system, rear drum offset	206
Connection block	150
Hydraulic valve module, offset/combi	208
Hydraulic valve	210
4700391017 Hydraulic valve	212
Hydraulic system, frame	214
Hydraulic system, engine room	216
Hydraulic valve module	218
Hydraulic valve	220
4700395924 Hydraulic valve	222
Hydraulic pump module	224
Hydraulic pump	226
Hydraulic system, steering Std	228
Hose bracket	230
Hydraulic steering, sliding seat	232
Steering, slideable	234
Electrical equipment	236
Electric cables, power supply	238
Battery disconnecter	240
Battery disconnecter	242
Electric cables, power supply cab	244
Electric cables, engine - ECU	246
Standard ECU module	248
Standard ECU assembly	250
Electric cables, sensors/ horn/ back-up alarm	252
Horn module	254
Horn	256
Back-up alarm module	258
Back-up alarm	260
Tachograph	262
Tachograph holder module	264
Cable harness kit	266
Power supply module	268
Driving & side direction lights	270
Driving lights, front RH	272

TABLE OF CONTENTS

	Page
Driving lights, front LH	274
Steering column switch module	276
Cable harness and switch module	278
Registration plate light module	280
Registration plate light	282
Driving lights, rear	284
Turn signals	286
Rotating beacon, working light	288
Rotating beacon module	290
Rotating beacon module	292
Rotating beacon mount	294
Working light module H3	296
Working light module Xenon	298
Drivers platform	300
Platform, no cab	302
Platform with 4-post ROPS	304
Rear covers	306
Platform no ROPS	308
Cover module	310
Manual box	312
Hand rail, left	314
Hand rail	316
Hand rail, right	318
Hand rail	320
Hand rail	322
Lunch box module	324
Canopy option	326
Canopy assy	328
Bracket	330
Cab, asymmetric	332
4700390865 Cab, cpl	334
Cab frame, right side	336
General parts	338
Windshield wiper, front	340
Windshield wiper, rear	342
Windshield washer reservoir	344
Electric equipment	346
Door frame	348
4700395806 Door	350
Cab screens	352
Rear covers	306
Air channel	354
Heater unit	356
Heater	358
Heater controls	360
Manual box	312
Cab heater system	362
Heater hoses	364
Cab noise cover	366
Radio and cd player	368
Rear view mirror module	370
Drivers seat	372
Seat frame structure	374

TABLE OF CONTENTS

	Page
Seat frame	376
Steering column	378
Seat, galon suspensioned	380
Seat, fabric suspensioned	382
Controls, slidable and turning	384
Cross sliding	386
Carrier	388
Drive control, cpl	390
Drive control	392
Display unit	394
Control panel cover	396
Decals	398
Decals	400
Optional equipment	402
Air conditioning	404
Compressor module	406
Compressor complete	408
Condensor module	410
Condensor	412
Evaporator module	414
4700393584 Evaporator unit	416
Hose kit AC	418
Hose kit AC	420
Hose kit Compressor	422
Hose kit AC	424
ACC module	426
ACC controls	428
Belt guard module	430
Fire extinguisher/First Aid Cushion	432
Fire extinguisher assembly	434



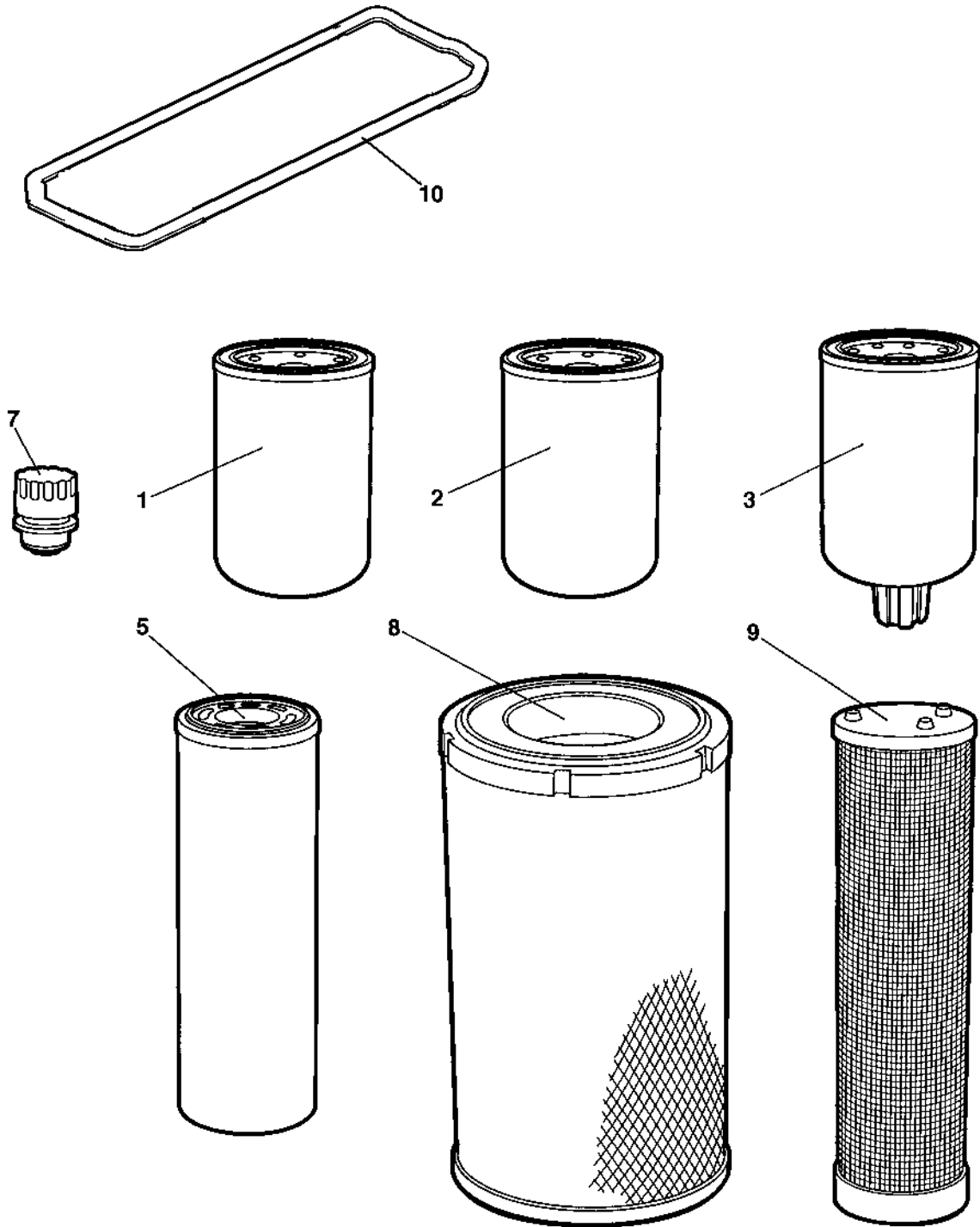
CC324HF SN 10000315x 0A000001 -

Item	Part No	Rem Qty	Description	Code
			Service kits (Page 4)	
			Repair kits (Page 14)	
1			Frame (Page 24)	
2			Drum (Page 156)	
3			Engine (Page 168)	
5			Hydraulic system (Page 200)	
6			Electrical equipment (Page 236)	
7			Drivers platform (Page 300)	
8			Decals (Page 398)	
10			Optional equipment (Page 402)	

Service kits

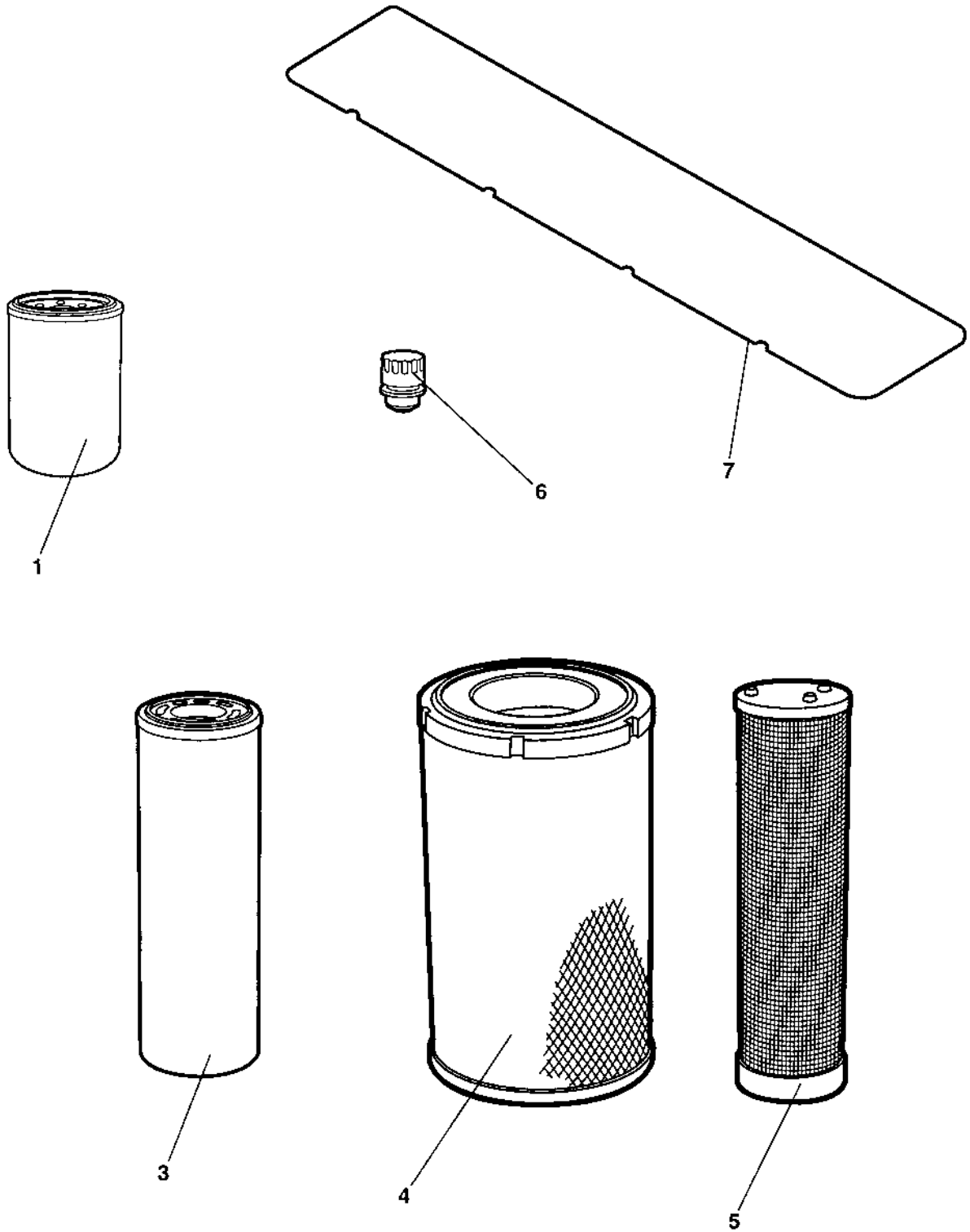
Item	Part No	Rem Qty	Description	Code
1	4700950174		Service kit 50h, Cummins QSB 3.3 (Page 6)	
2	4700939076		Service kit 250 / 750 h (Page 8)	
3	4700950175		Service kit 500h, Cummins QSB 3.3 (Page 10)	
4	4700950176		Service kit 1000h, Cummins QSB 3.3 (Page 12)	

4700950174 Service kit 50h, Cummins QSB 3.3



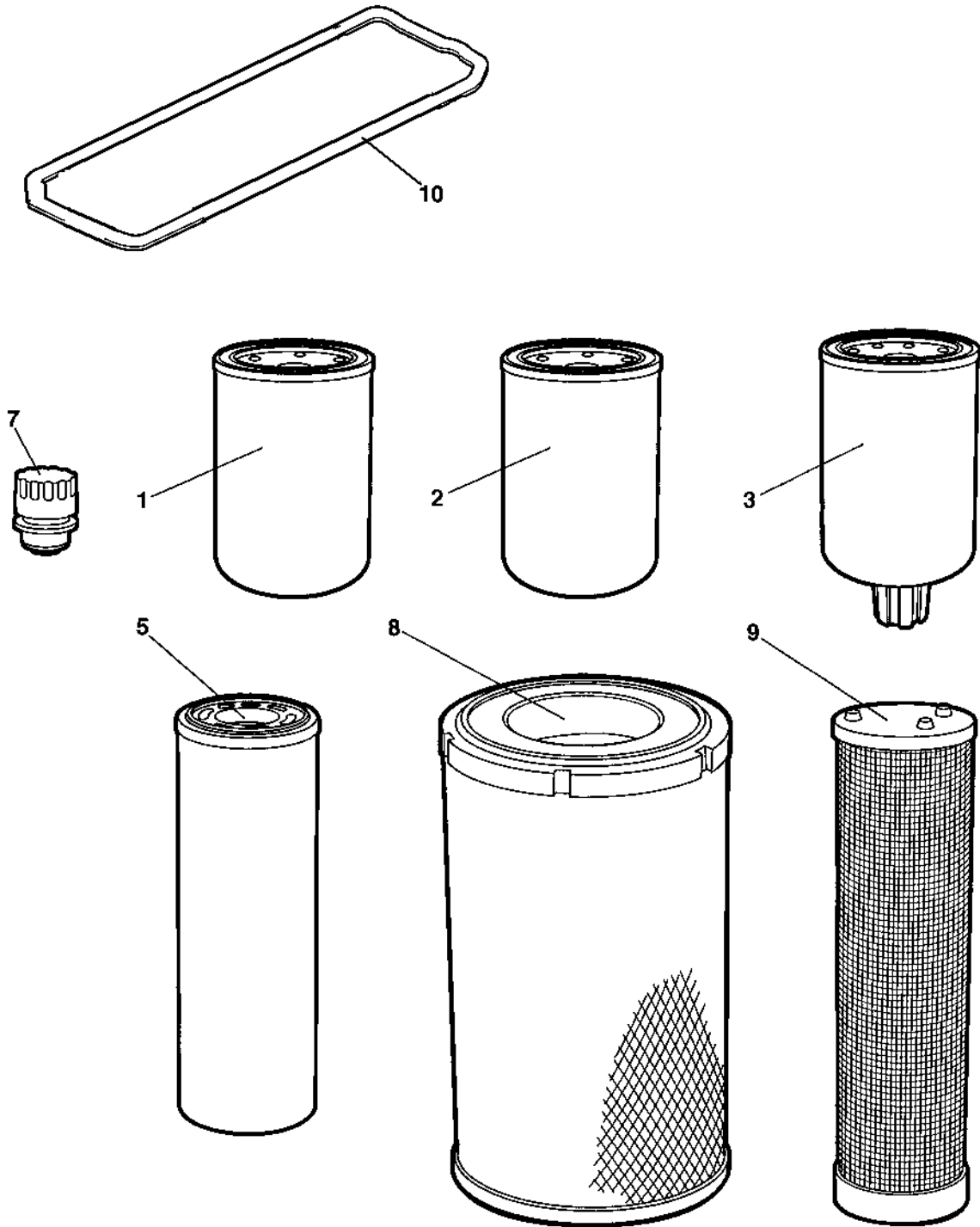
4700950174 Service kit 50h, Cummins QSB 3.3

Item	Part No	Rem Qty	Description	Code
	4700950174		Service kit 50h, Cummins QSB 3.3 (Page 6)	
1	4700939068	1	Oil filter element	A
2	4700950302	1	Fuel filter element	A
3	4700950301	1	Pre-fuel filter element	A
5	4700391433	1	Filter element	A



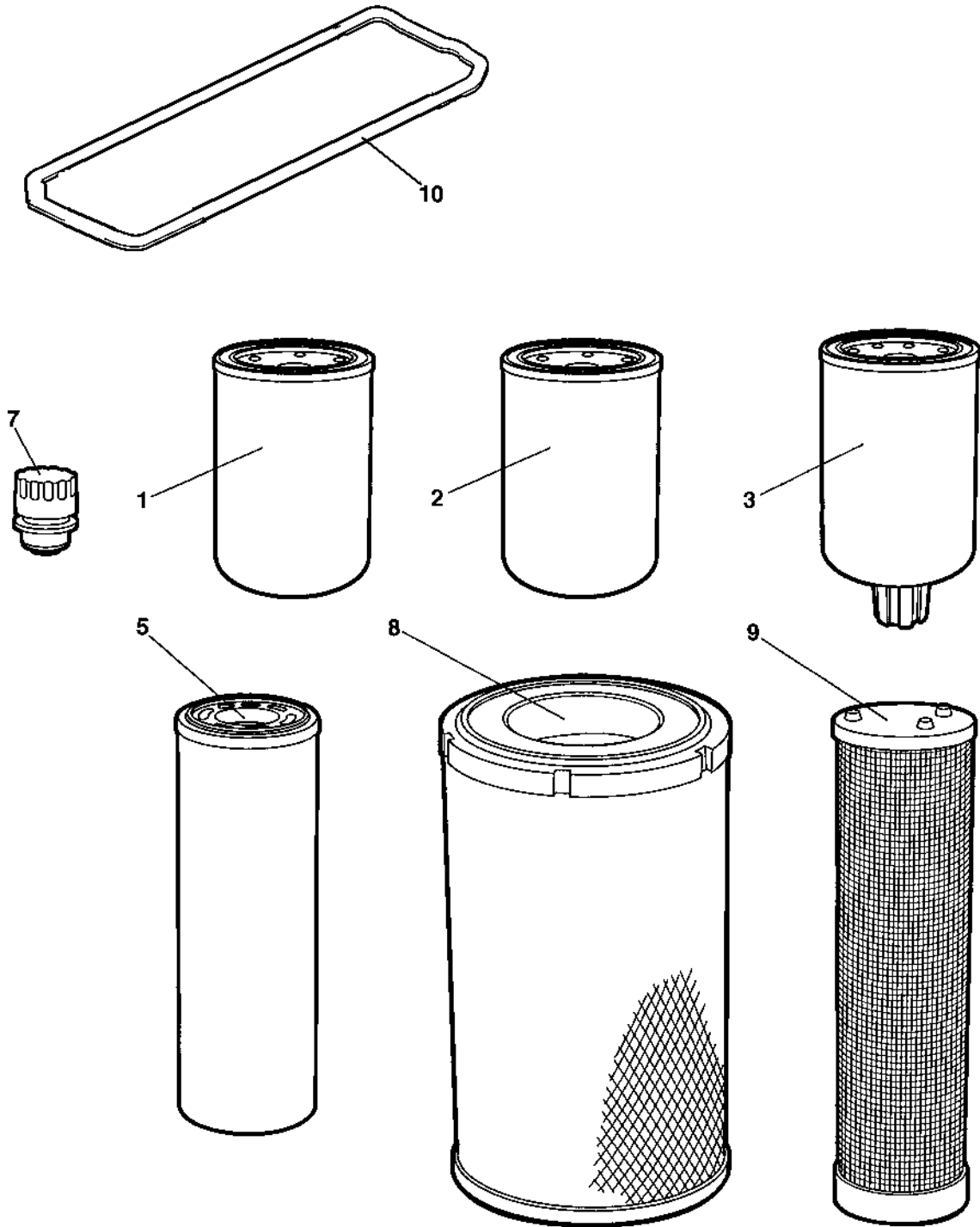
4700939076 Service kit 250 / 750 h

Item	Part No	Rem Qty	Description	Code
	4700939076		Service kit 250 / 750 h (Page 8)	
1	4700939068	1	Oil filter element	A



4700950175 Service kit 500h, Cummins QSB 3.3

Item	Part No	Rem Qty	Description	Code
	4700950175		Service kit 500h, Cummins QSB 3.3 (Page 10)	
1	4700939068	1	Oil filter element	A
2	4700950302	1	Fuel filter element	A
3	4700950301	1	Pre-fuel filter element	A



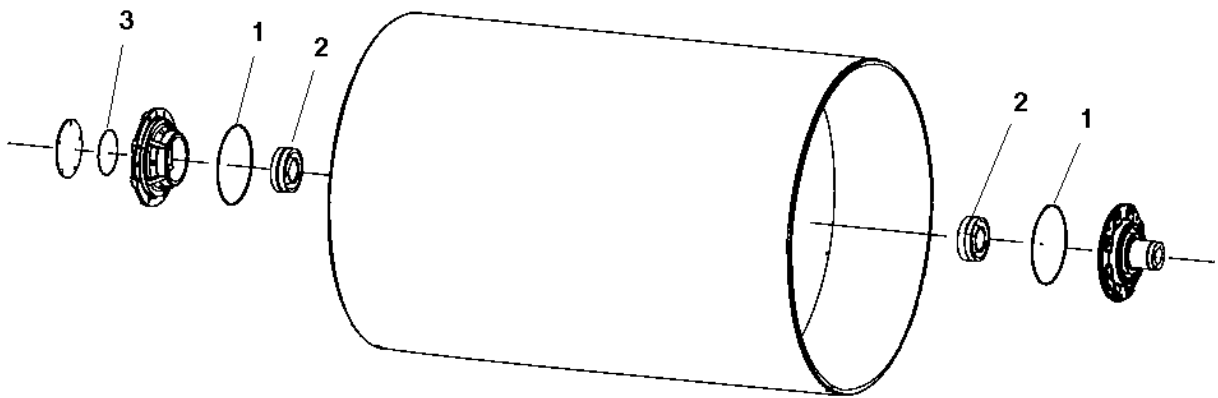
4700950176 Service kit 1000h, Cummins QSB 3.3

Item	Part No	Rem Qty	Description	Code
	4700950176		Service kit 1000h, Cummins QSB 3.3 (Page 12)	
1	4700939068	1	Oil filter element	A
2	4700950302	1	Fuel filter element	A
3	4700950301	1	Pre-fuel filter element	A
5	4700391433	1	Filter element	A
7	4700391026	1	Ventilating filter	A
8	4700392088	1	Main filter element	A
9	4700392089	1	Safety filter element	A
10	4700939070	1	Gasket, valve cover	B

Repair kits

Item	Part No	Rem Qty	Description	Code
2	4812155792	2	Eccentric shaft kit CC224HF/324HF/384HF (Page 16)	
3	4700945908		Scraper kit CC324HF/334HF/424HF (Page 18)	A
4	4812155158	2	Shock absorber kit, drum CC224HF/324HF/384HF (Page 20)	
5		1	Steering hitch kits (Page 22)	

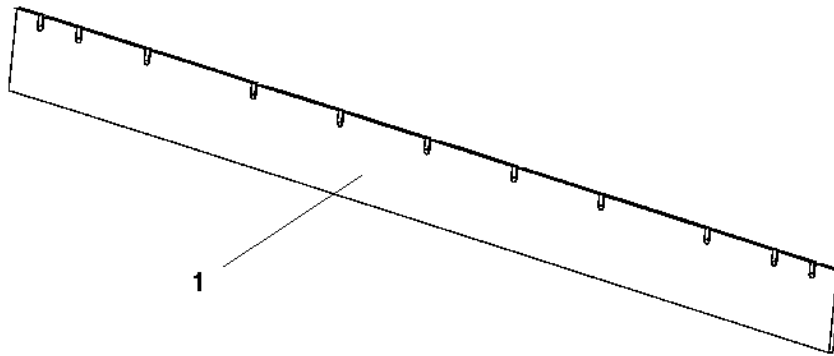
4812155792 Eccentric shaft kit CC224HF/324HF/384HF



4812155792 Eccentric shaft kit CC224HF/324HF/384HF

Item	Part No	Rem Qty	Description	Code
	4812155792		Eccentric shaft kit CC224HF/324HF/384HF (Page 16)	
1	4700160344	2	O-ring 70	C
2	4700114060	2	Spherical roller bearing	B
3	4700160045	1	O-ring 70	C

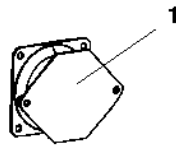
4700945908 Scraper kit CC324HF/334HF/424HF



4700945908 Scraper kit CC324HF/334HF/424HF

Item	Part No	Rem Qty	Description	Code
	4700945908		Scraper kit CC324HF/334HF/424HF (Page 18)	A
1	4700395112	4	Scraper blade	A

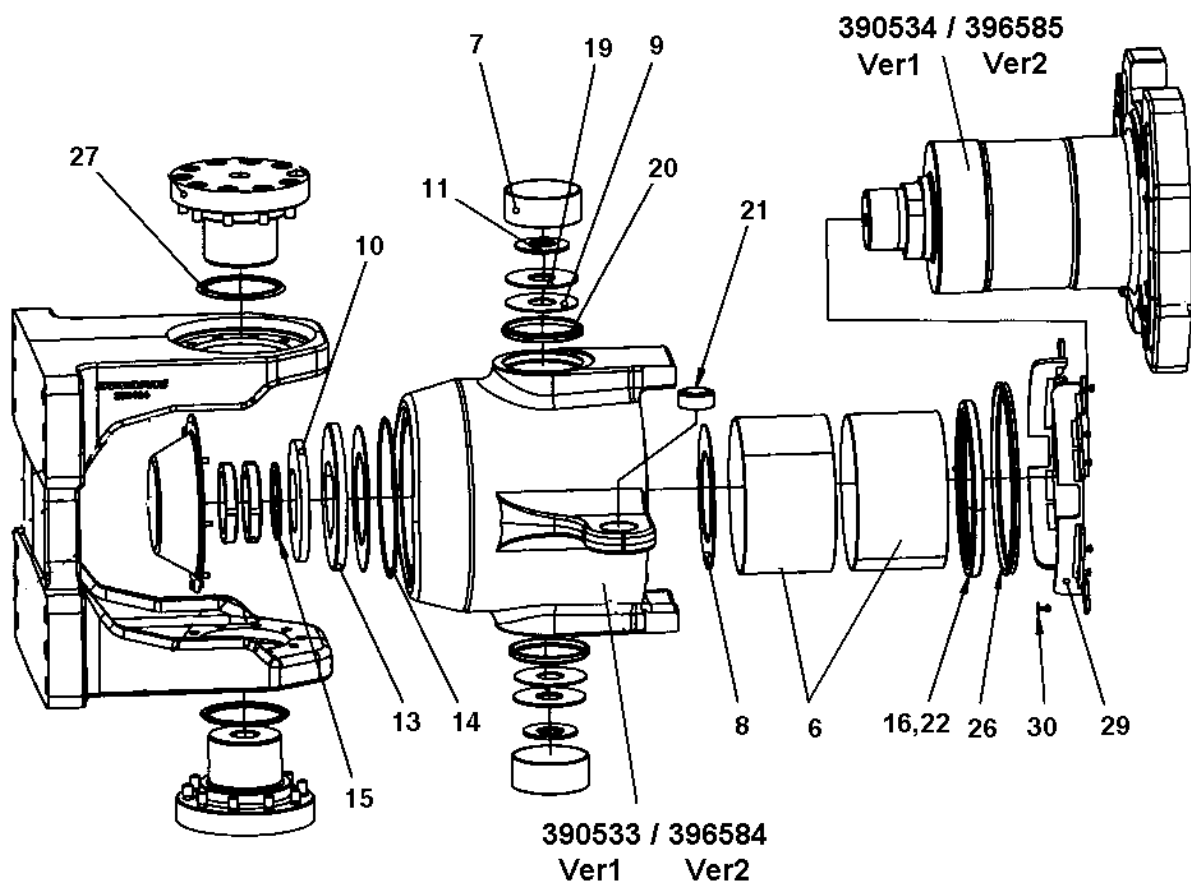
4812155158 Shock absorber kit, drum CC224HF/324HF/384HF



4812155158 Shock absorber kit, drum CC224HF/324HF/384HF

Item	Part No	Rem	Qty	Description	Code
	4812155158			Shock absorber kit, drum CC224HF/324HF/384HF (Page 20)	
1	4700394250	A	6	Shock absorber	A
2	4700394251	B	4	Shock absorber	A

- A) Propulsion side
- B) Vibration side



Steering hitch kits

Item	Part No	Rem Qty	Description	Code
	4812156095	1	Steering hitch kit, tilt (390533 & 390534)	
_06	4700390538	2	_Sleeve bearing	
_08	4700393523	2	_Slide washer	
_10	4700390542	1	_Disc spring	
_13	4700393115	1	_Thrust washer	
_14	4700160277	1	_O-ring	D
_15	4700393218	1	_Back-up ring	
_16	4700391031	1	_Radial lip-type seal	
_22	4812030096	1	_Dynapac Grease	
_26	4700792515	1	_Sealing, v-ring	
_29	4700394207	2	_Flush cover	
_30	4700792325	12	_Blind rivet	
	4812156096	1	Steering hitch kit, tilt (396584 & 396585)	
_06	4700396588	2	_Sleeve bearing	
_08	4700393523	2	_Slide washer	
_10	4700390542	1	_Disc spring	
_13	4700393115	1	_Thrust washer	
_14	4700160277	1	_O-ring	D
_15	4700393218	1	_Back-up ring	
_16	4700391031	1	_Radial lip-type seal	
_22	4812030096	1	_Dynapac Grease	
	4812156097	1	Steering hitch kit, turn	
_07	4700390539	2	_Sleeve bearing	
_09	4700390541	2	_Slide washer	
_11	4700390543	2	_Disc spring	
_19	4700391566	2	_Washer	
_20	4700792517	2	_Shear wiper	
_21	4700792554	4	_Radial spherical plain bearing	D
_22	4812030096	1	_Dynapac Grease	
_27	4700792518	2	_Radial lip-type seal	

Frame

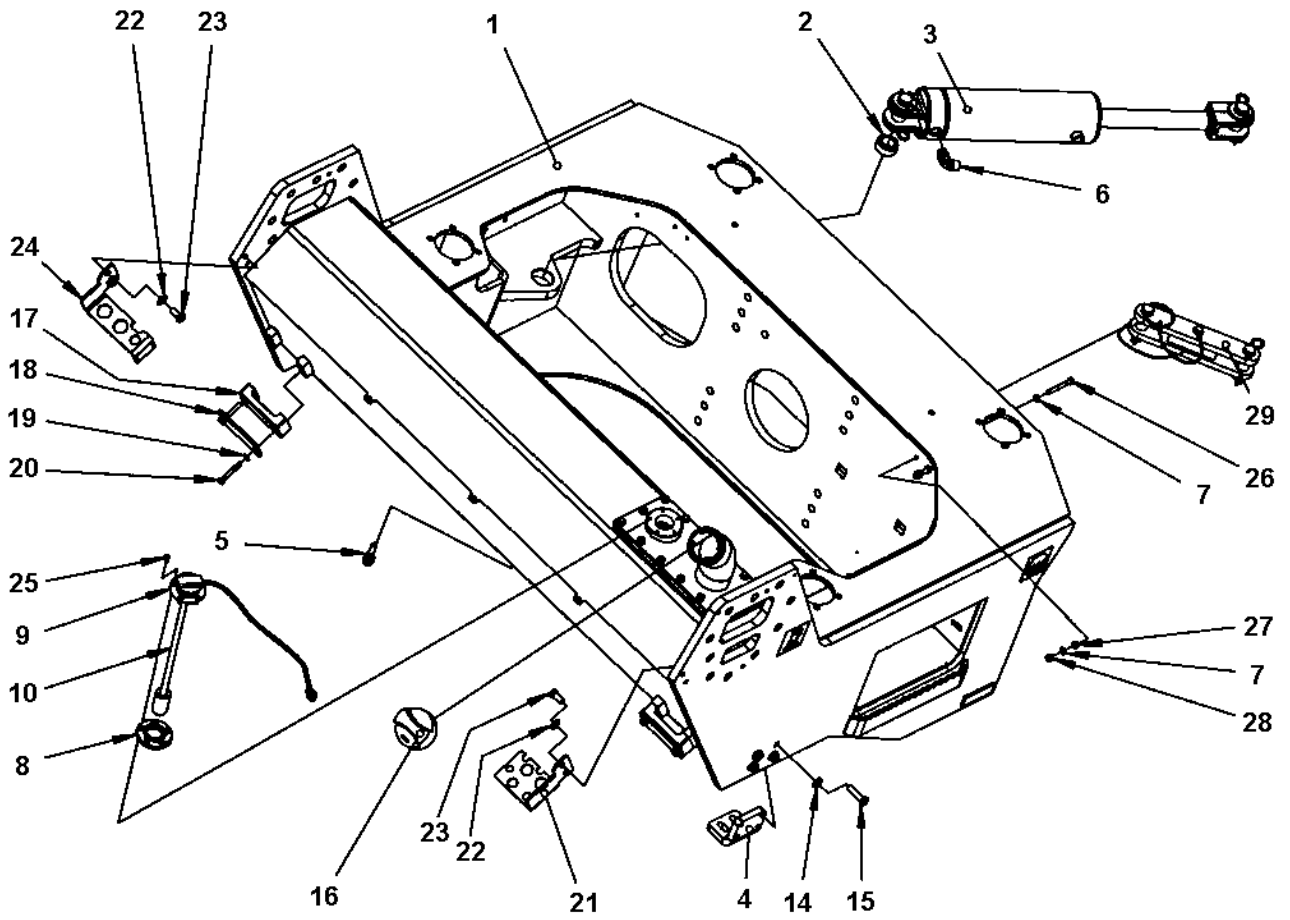
Frame

Item	Part No	Rem Qty	Description	Code
1			Front frame (Page 26)	
2			Rear frame (Page 48)	
3			Sprinkler system (Page 72)	
4			End frame, front (Page 94)	
5			End frame, rear (Page 142)	

Front frame

Front frame

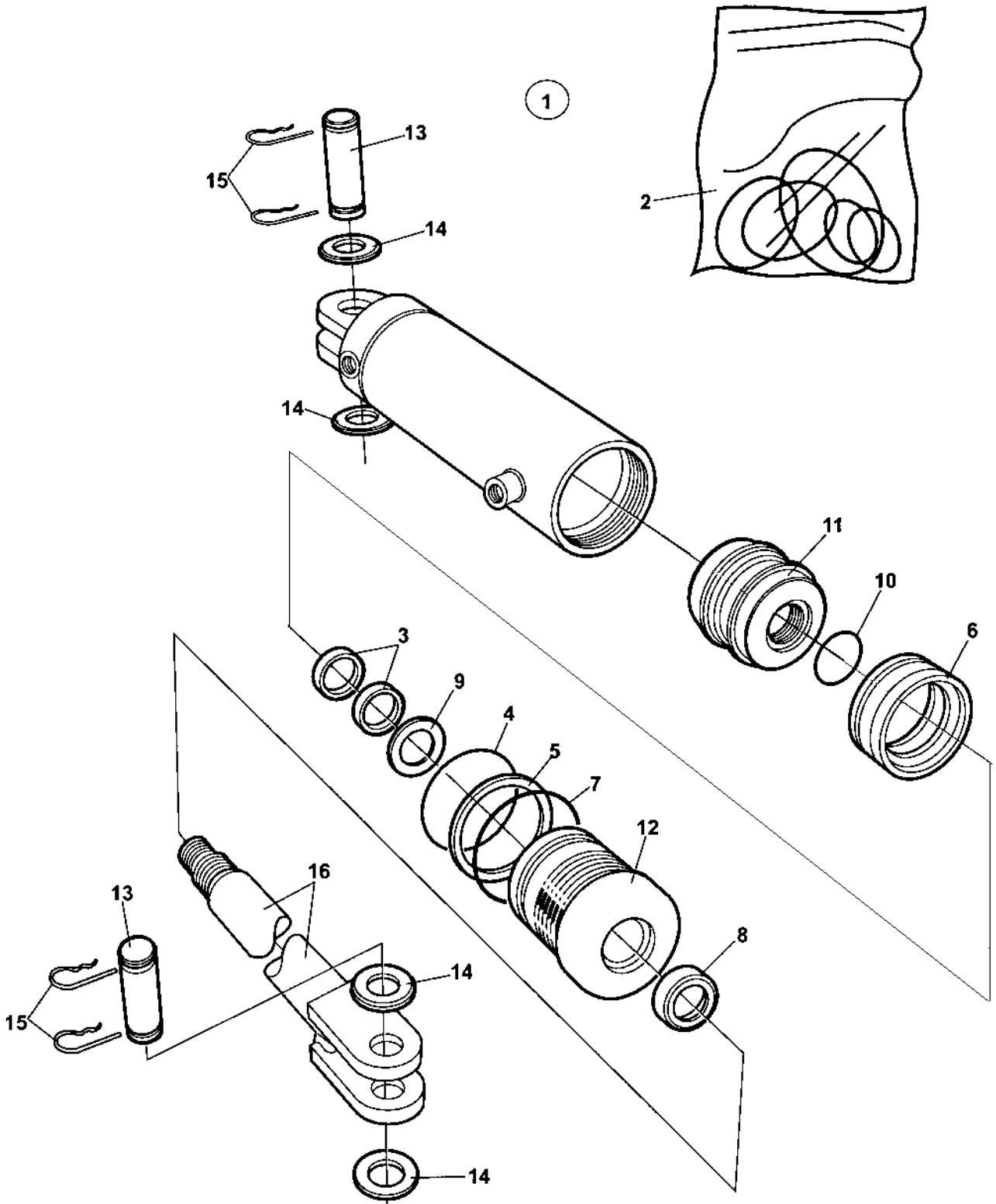
Item	Part No	Rem Qty	Description	Code
1		1	Front frame module (Page 28)	
2		1	Tank structure module (Page 34)	
3		1	Hitch module (Page 42)	
9		1	Grab handle module (Page 46)	



Front frame module

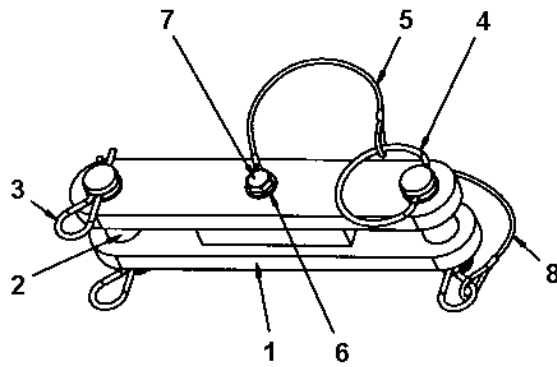
Item	Part No	Rem Qty	Description	Code
1	4700379862	1	Front frame	
	4700396498	1	. Fuel tank cover	
	4700389821	1	. O-ring	
2	4700792554	1	Radial spherical plain bearing	D
3	4700391023	1	Steering cylinder (Page 30)	
4	4700394400	2	Bracket	
5	4700792605	2	Quick connect coupling	
6	4700792151	1	Elbow adapter 90	C
7	4700904229	4	Washer 8,4x16x1,5	C
8	4700370745	1	Flange, cpl	C
9	4700372718	1	Lid	D
10	4700389917	1	Level sender	
11	4700359887	1	Shock absorber	A
12	4700573003	1	Nut M6	
14	4700904703	8	Washer	C
15	4700947690	8	Screw	C
16	4700380435	1	Cap	D
17	4700343872	2	Hose clamp	D
18	4700335914	2	Cover plate	D
19	4700904230	4	Steel plain washer	C
20	4700500032	4	Screw M10 x 55	C
21	4700397253	1	Hose holder	
22	4700904231	4	Steel plain washer	C
23	4700500051	4	Screw M12x25H 8.8 A3K	C
24	4700391443	1	Hose clamp	
25	4700904206	5	Screw	C
26	4700925750	2	Screw	C
27	4700570005	2	Nut M8	C
28	4700586003	2	Lock nut M8	C
29		1	Steering hitch lock (Page 32)	

4700391023 Steering cylinder



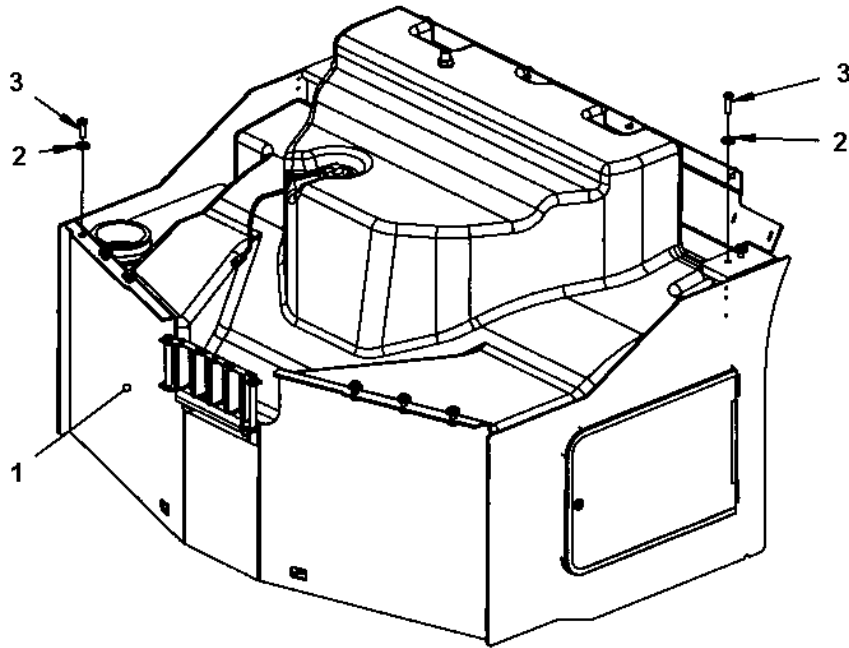
4700391023 Steering cylinder

Item	Part No	Rem Qty	Description	Code
1	4700391023	1	Steering cylinder (Page 30)	
2	4700950417	1	. Seal kit	
3		2	. . Seal	
4		1	. . O-ring	
5		1	. . Back-up ring	
6		1	. . Seal	
7		1	. . O-ring	
8		1	. . Seal	
9		1	. . Seal	
10		1	. . O-ring	
11		1	. Piston block	
12		1	. Steering	
13	4700950222	2	. Shaft	
14		4	. Washer	
15	4700635061	4	. Hair clip	C
16		1	. Piston rod	C
17		1	. Cylinder	C



Steering hitch lock

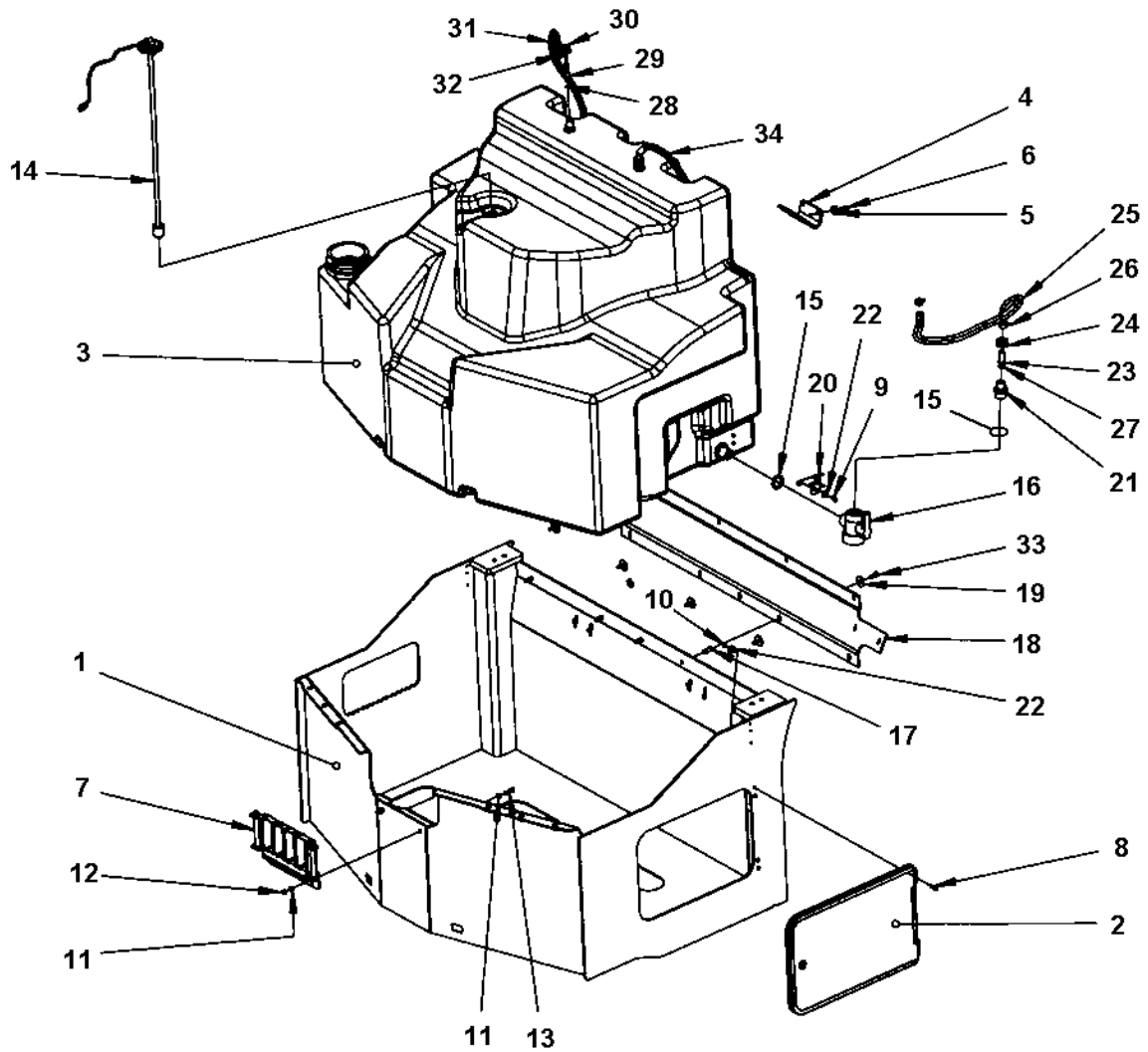
Item	Part No	Rem Qty	Description	Code
1	4700392624	1	Steering hitch lock	
2	4700347119	2	Shaft	C
3	4700635061	3	Hair clip	C
4	4700357488	1	Spring	D
5	4700343775	1	Wire	D
6	4700904230	2	Steel plain washer	C
7	4700500043	2	Screw M10x16H 8,8	C
8	4700343775	1	Wire	D



Tank structure module

Item	Part No	Rem Qty	Description	Code
1		1	Sprinkler tank structure mount (Page 36)	
2	4700904213	10	Washer	C
3	4700947689	10	Screw	C

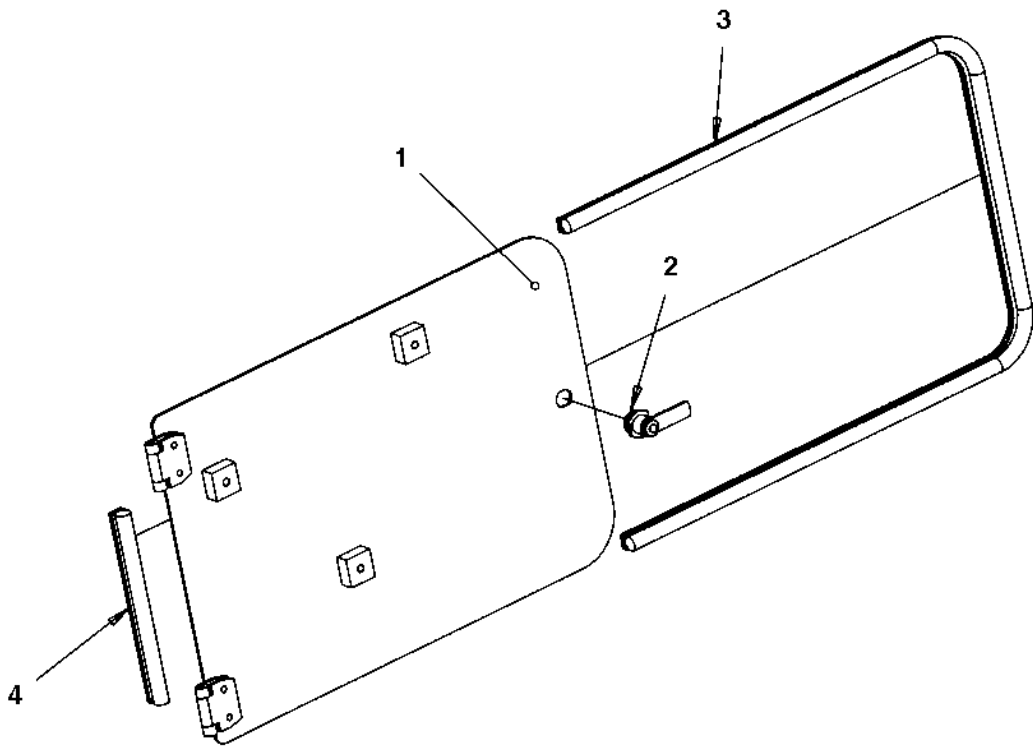
Sprinkler tank structure mount



Sprinkler tank structure mount

Item	Part No	Rem Qty	Description	Code
1	4700392848	1	Tank structure	
2	4700391307	1	Cover (Page 38)	
3	4812110980	1	Water tank, cpl	
	4700392235	A 1	. Gasket	
	4700313105	A 1	. Hose clamp	D
	4700392223	B 1	. Plane gasket	
	4700392222	B 1	. Grommet	
	4700392224	B 1	. Lock nut	
	4700392231	C 3	. Plane gasket	
	4700392230	C 3	. Grommet	
	4700392232	C 3	. Nut	
4	4700391624	2	Bracket	
5	4700904734	4	Washer 8,4x26x4	C
6	4700500053	4	Screw M8x20H 8.8	C
7		1	Hose support (Page 40)	
8	4700928784	4	Screw	C
9	4700500013	2	Screw M6-1x16 8,8	C
10	4700586002	4	Lock nut M6 -8	C
11	4700904229	4	Washer 8,4x16x1,5	C
12	4700570005	2	Nut M8	C
13	4700500022	2	Screw M8x30H 8.8 A2K	C
14	4700391353	1	Level sender	
	4700372718	1	Lid	D
	4700370745	1	Flange, cpl	C
	4700904206	5	Screw	C
15	4700392223	2	Plane gasket	
16	4700792782	1	Ball valve	
17	4700900672	5	Blind insert nut	
18	4700393413	1	Rubber cloth	
19	4700615050	9	Washer	C
20	4700396739	1	Bracket	
21	4700792781	1	Reducer nipple	
22	4700904735	6	Washer	C
23	4700792780	1	Hose connection swivel	
24	4700792779	1	Swivel nut	
25	4700792073	1XL	Hose reinforced	D
26	4700313003	2	Hose clamp	D
27	4700480852	1	O-ring 70	
28	4700792600	2	O-ring 70	
29	4700393542	2	Hose connection swivel	C
30	4700392227	2	Swivel nut	
31	4812112074	1XL	Plastic hose	
32	4700313001	1	Hose clamp	D
33	4700500021	9	Screw M8-1,25x25 8.8	C
34	4812112074	1XL	Plastic hose	

- A) Water fill
- B) Drain
- C) Hose connection

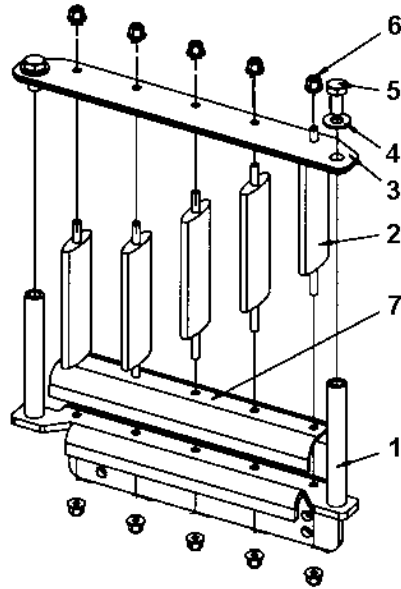


4700391307 Cover

Item	Part No	Rem	Qty	Description	Code
1			1	Cover	
2	4700383626		1	Lock Ø19	
	4700397348		1	Lock Ø22	
	4700902866		1	. Key Marked "455"	A
3	4700202057	A	1XL	Edge trim	D
4	4700202057	B	1XL	Edge trim	D

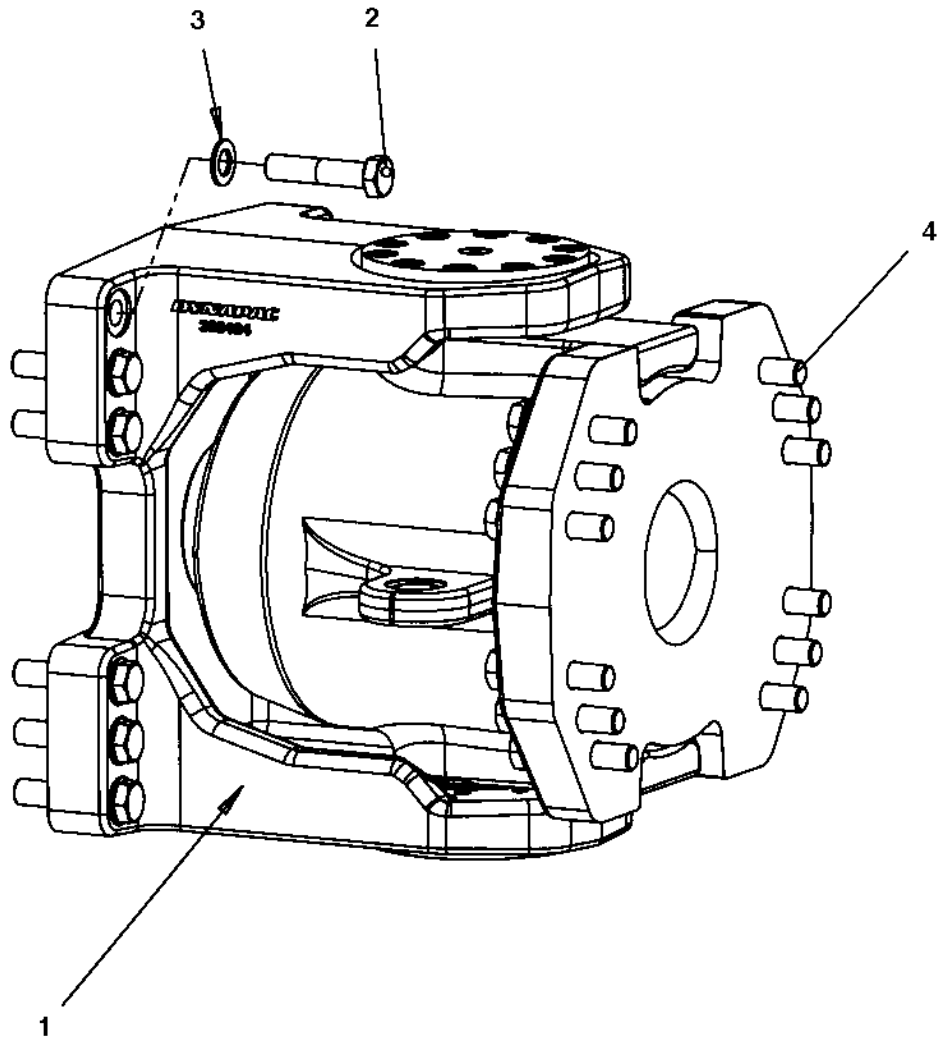
- A) L=1.33 m
- B) L=0.21 m

Hose support



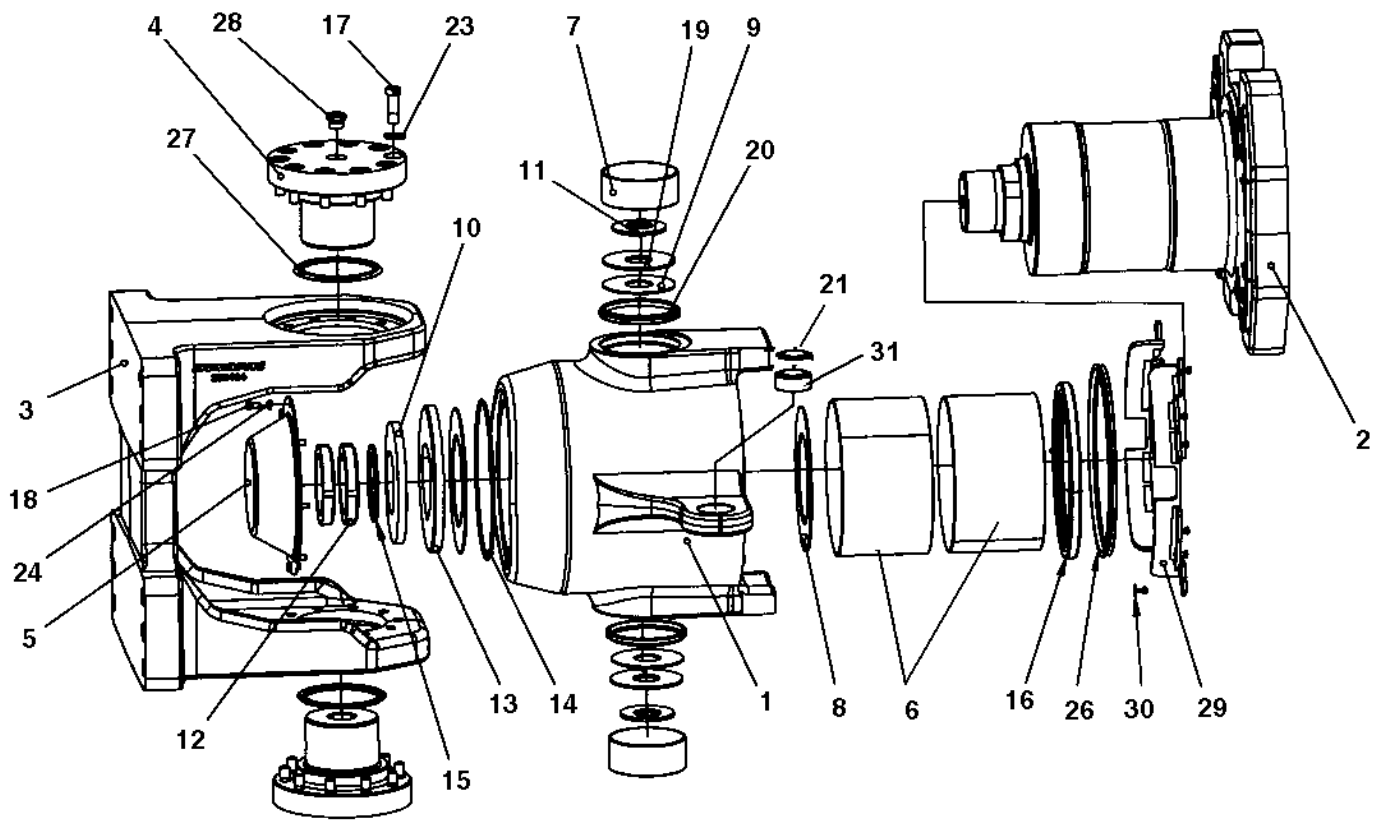
Hose support

Item	Part No	Rem Qty	Description	Code
1	4700394023	1	Bracket	
2	4700397039	5	Spacer	
3	4700397318	1	Cap	
4	4700904230	2	Steel plain washer	C
5	4700500048	2	Screw M10-1,5x20 8,8	C
6	4700902285	10	Nut	C
7	4812110277	1	Hose guard	



Hitch module

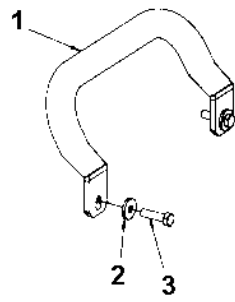
Item	Part No	Rem Qty	Description	Code
1		1	Steering hitch (Page 44)	
2	4700500287	12	Screw M20x80 10,9	C
3	4700904233	24	Steel plain washer	C
4	4700925208	12	Screw M20x90	C



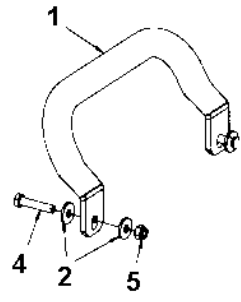
Steering hitch

Item	Part No	Rem	Qty	Description	Code
	4700396583		1	Steering hitch, cpl	
1	4700390533	3	1	Hitch yoke	
	4700396584	4	1	Hitch yoke	
2	4700390534	3	1	Shaft	
	4700396585	4	1	Shaft	
3	4700393464		1	Hitch holder	
4	4700393465		2	Shaft	
5	4700392550		1	Cover	
6	4700390538	1	2	Sleeve bearing	
	4700396588	2	2	Sleeve bearing	
7	4700390539		2	Sleeve bearing	
8	4700393523		2	Slide washer	
9	4700390541		2	Slide washer	
10	4700390542		1	Disc spring	
11	4700390543		2	Disc spring	
12	4700135015		2	Shaft nut	D
13	4700393115		1	Thrust washer	
14	4700160277		1	O-ring	D
15	4700393218		1	Back-up ring	
16	4700391031		1	Radial lip-type seal	
17	4700792394		20	Screw	
18	4700500012		8	Screw M6x12	C
19	4700391566		2	Washer	
20	4700792517		2	Shear wiper	
21	4700792554		2	Radial spherical plain bearing	D
23	4700904231		20	Steel plain washer	C
24	4700904228		8	Washer 6,4x12x1,5	C
26	4700792515		1	Sealing, v-ring	
27	4700792518		2	Radial lip-type seal	
28	4700792295		2	Steel plug	
29	4700394207	1	2	Flush cover	
30	4700792325	1	12	Blind rivet	
31	4700151015		2	Snap ring	D

- 1) Used together with PN 4700390533 and 4700390534.
- 2) Used together with PN 4700396584 and 4700396585.
- 3) PN 4700390533 and 4700390534 should be fitted together. (PN is stamped on part.)
- 4) PN 4700396584 and 4700396585 should be fitted together. (PN is stamped on part.)



ALT 1

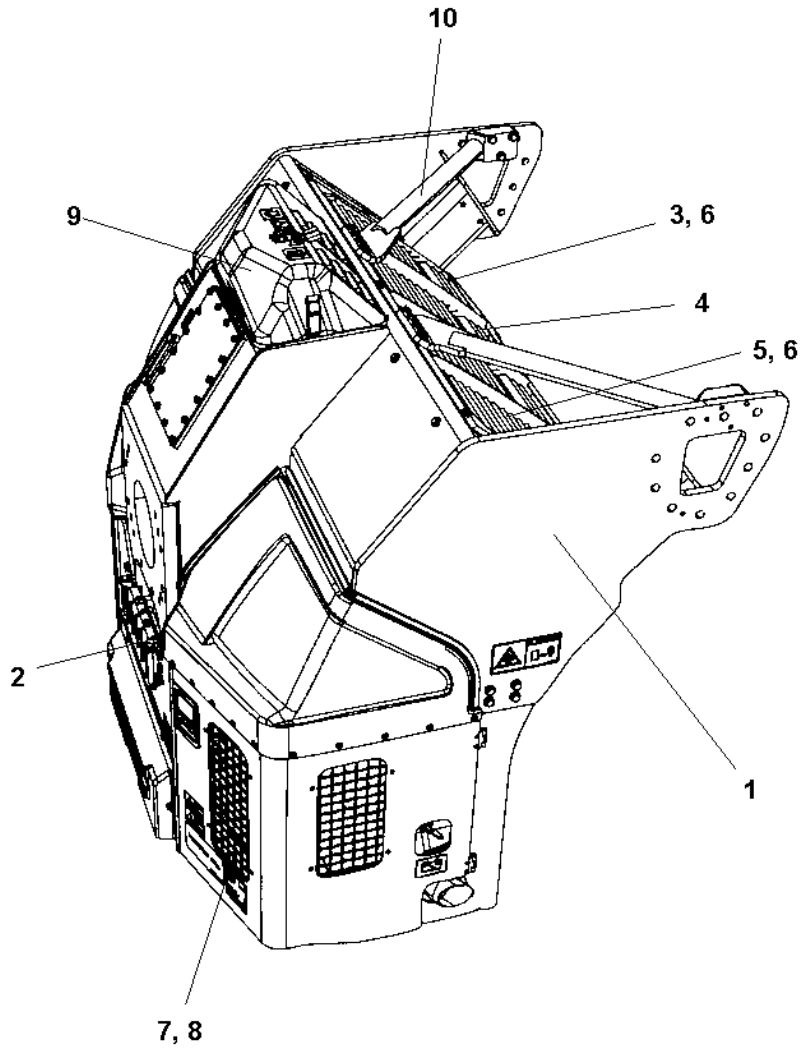


ALT 2

Grab handle module

Item	Part No	Rem Qty	Description	Code
1	4700394545	1	Grab handle	
2	4700904640	2	Washer 8,4x22x3	C
	4700904640	4	Washer 8,4x22x3	C
3	4700500022	2	Screw M8x30H 8.8 A2K	C
4	4700500023	2	Screw M8-1,25x40 8,8	C
5	4700791182	2	Lock nut M8	

Rear frame

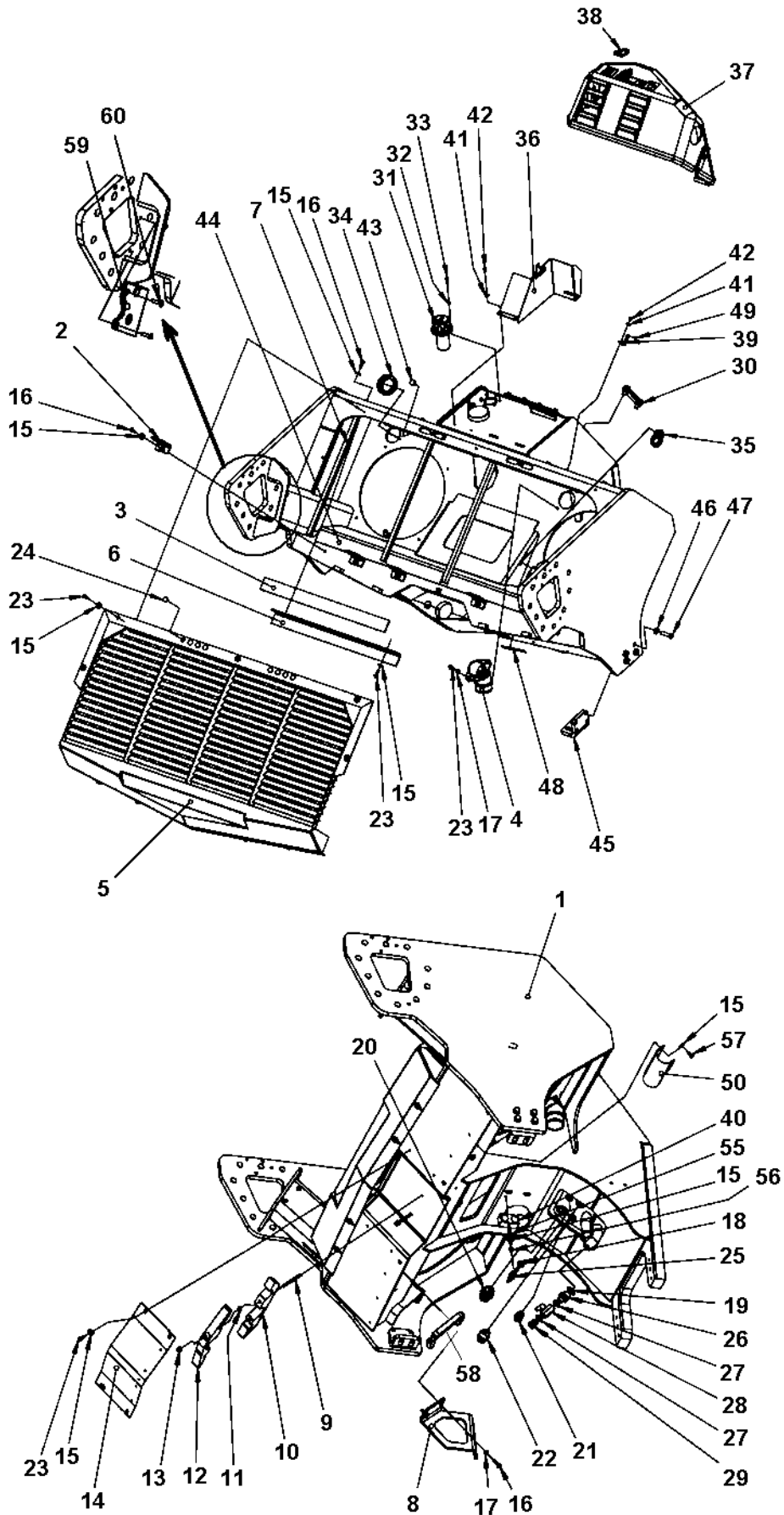


Rear frame

Item	Part No	Rem	Qty	Description	Code
1			1	Rear frame (Page 50)	
2			1	Engine structure, module (Page 54)	
3			1	Water cooler (Page 194)	
4			1	Charge air cooler (Page 192)	
5			1	Radiator assembly (Page 62)	
6			2	Fan assembly (Page 64)	
7			1	Noise suppression plates (Page 66)	
8	4700396638		1	Noise suppression kit, covers (Page 68)	
9			1	Expansion tank assembly (Page 196)	
10		1	1	Stabilizer module (Page 70)	

1) Only for CC224/324 with offset drum.

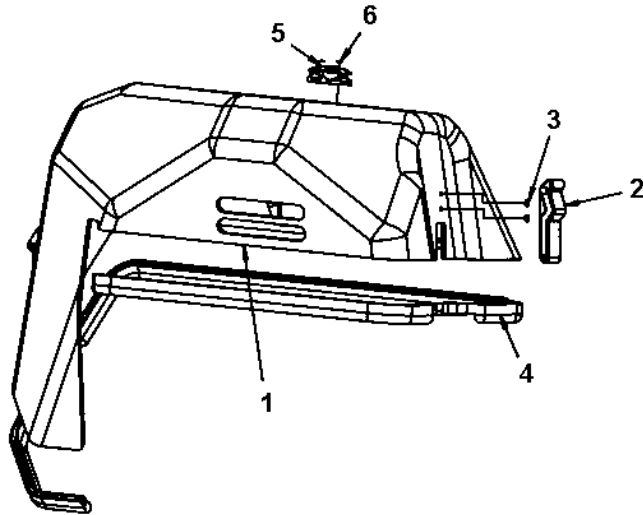
Rear frame



Rear frame

Item	Part No	Rem Qty	Description	Code
1	4812110510	1	Rear frame	
2	4700391296	5	Bracket	
3	4700392078	2	Rubber cloth	
4	4700393998	1	Bulkhead union	
5	4812110212	1	Cooler cover	
6	4700392075	2	Bracket	
7	4700391299	2	Rubber strip	
8	4700393468	1	Bracket	
9	4700791849	2	Stud m	
10	4700392148	1	Hose support	
11	4700904044	1	Lock washer	C
12	4700392149	1	Hose support	
13	4700902286	2	Hexagon lock nut with flange	C
14	4700392164	1	Cover	
15	4700904640	25	Washer 8,4x22x3	C
16	4700500021	11	Screw M8-1,25x25 8.8	C
17	4700904229	4	Washer 8,4x16x1,5	C
18	4700162015	1	Seal ring	D
19	4700791120	1	Sealing washer	
20	4700792338	1	Straight connector	
21	4700791405	1	Straight o-ring connector	
22	4700904728	1	Adapter	
23	4700500053	15	Screw M8x20H 8.8	C
24	4700184111	8	Plug	D
25	4700792276	1	Temperature sensor	D
26	4700792421	1	Straight connector	C
27	4700162006	2	Seal ring	D
28	4700925599	1	Ball valve	
29	4700232056	1	Plug	
30	4700792492	1	Level gauge	D
31	4700391026	1	Ventilating filter	A
32	4700904281	6	Washer 5,3x10x1 300HV	C
33	4700508020	6	Screw	C
34	4700393001	2	Grommet	
35	4700393149	2	Grommet	
36	4700393308	1	Bracket	
37		1	Cover (Page 52)	
38	4700358881	1	Pad lock	D
39	4700394297	2	Bracket	
40	4700287295	1	Clamp	
41	4700603001	7	Washer	C
42	4700500059	7	Screw	
43	4700792607	6	Shock absorber	
44	4700394655	2	Rubber cloth	
45	4812110508	2	Bracket	
46	4700904703	8	Washer	C
47	4700947690	8	Screw	C
48	4700394513	2	Rubber cloth	
49	4700624021	4	Pop rivet	C
50	4700394820	1	Bracket	
55	4700792500	1	Stud	
56	4700586003	1	Lock nut M8	C
57	4700500019	2	Screw M8x16H 8.8 A2K	C
58	4812110347	2	Edge trim	
59	4812110489	2	Hose guard	
60	4700792726	4	Hexagon socket countersunk screw	

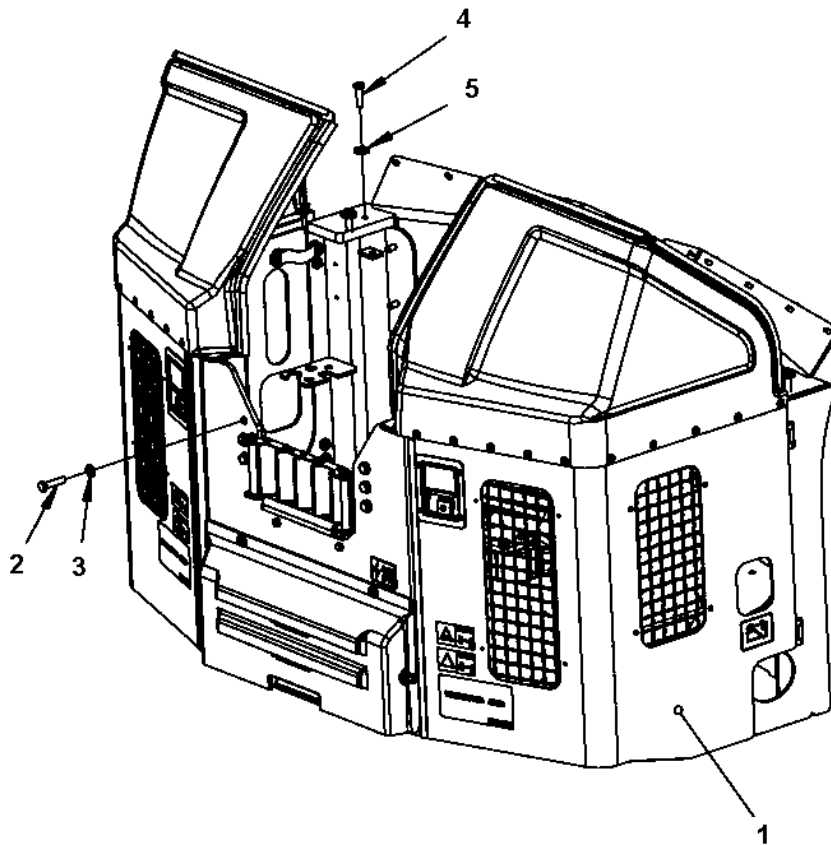
Cover



Cover

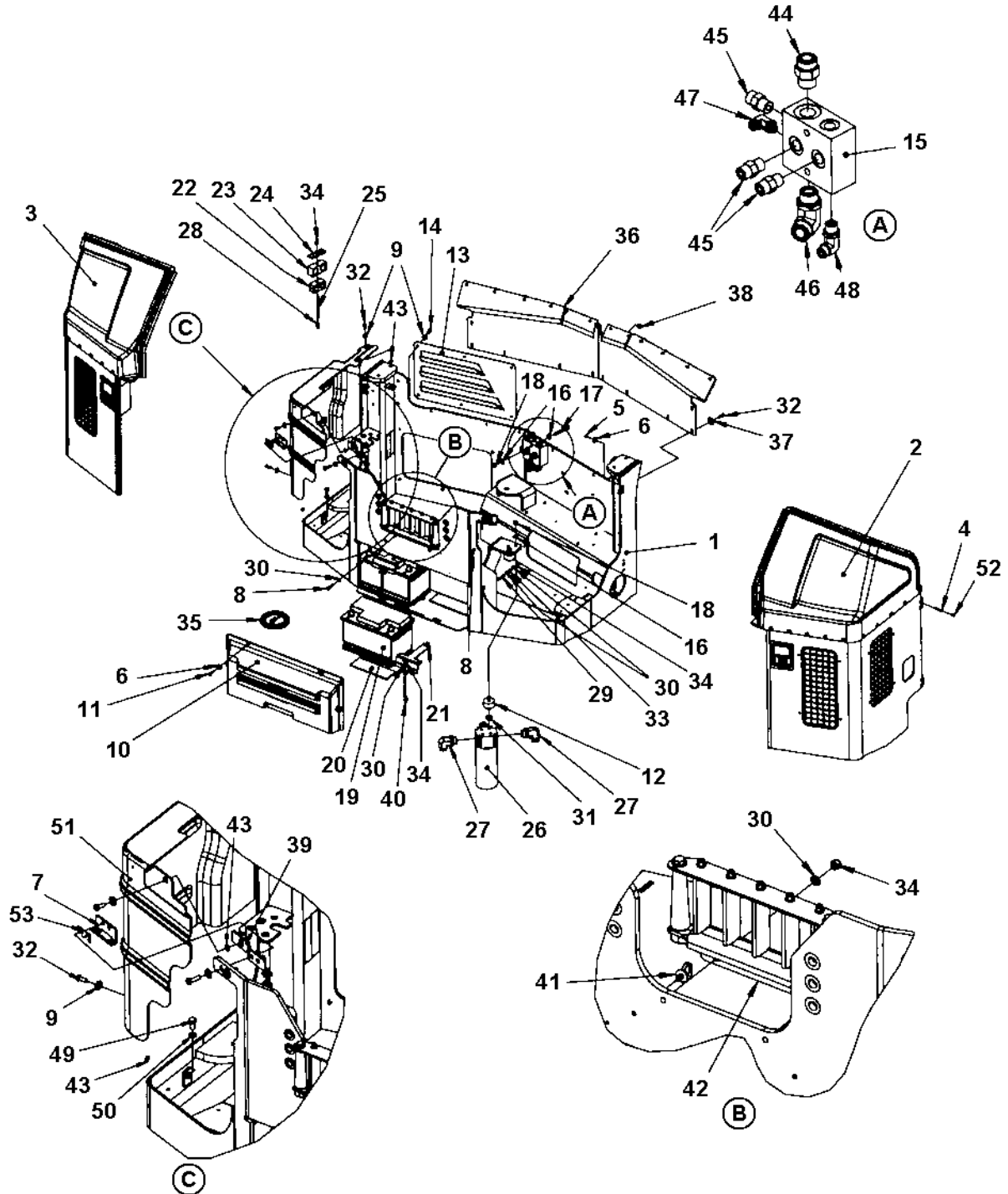
Item	Part No	Rem Qty	Description	Code
1	4700393324	1	Cover	
2	4700388846	2	Latch	
3	4700624021	4	Pop rivet	C
4	4700902166	1	Edge trim	D
5	4700394536	1	Wiring clip	
6	4700624018	2	Blind rivet	

Engine structure, module



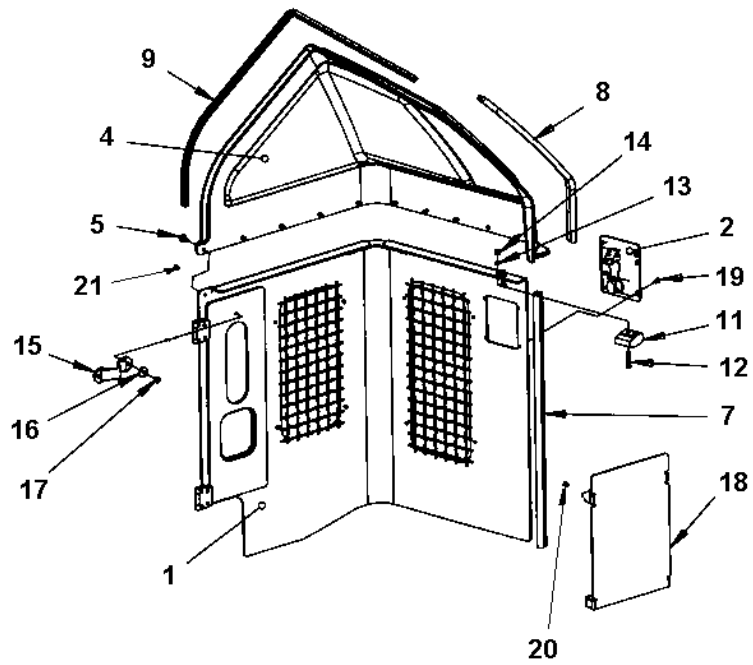
Engine structure, module

Item	Part No	Rem Qty	Description	Code
1		1	Engine structure (Page 56)	
2	4700500269	6	Screw	C
3	4700904231	6	Steel plain washer	C
4	4700947688	4	Screw M12x35H	
5	4700904213	4	Washer	C



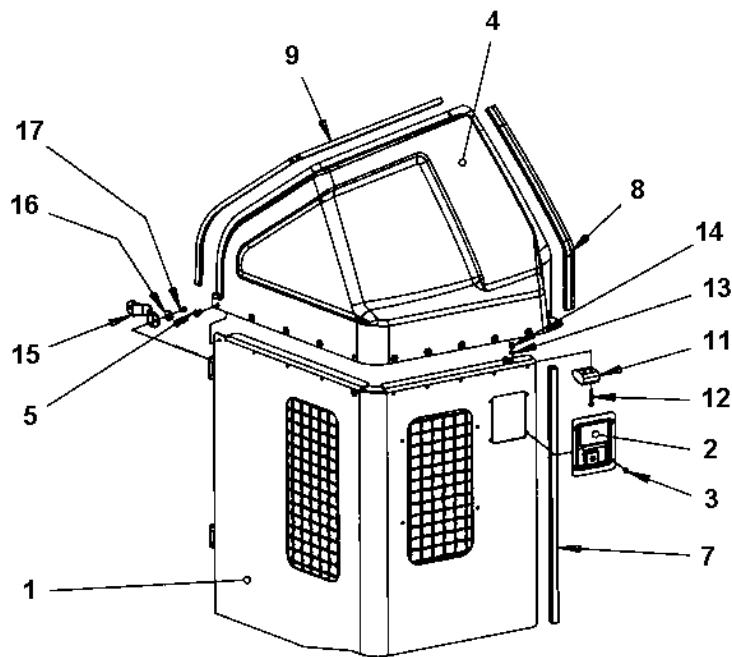
Engine structure

Item	Part No	Rem Qty	Description	Code
1	4812110512	1	Engine structure	
2		1	Engine cover, left (Page 58)	
3		1	Engine cover, right (Page 60)	
4	4700513017	8	Screw M6x30H 10,9	C
5	4700586002	8	Lock nut M6 -8	C
6	4700904735	12	Washer	C
7	4700396542	2	Lock bracket	
8	4700500022	6	Screw M8x30H 8.8 A2K	C
9	4700904640	13	Washer 8,4x22x3	C
10	4700390884	1	Cover	
11	4700500040	4	Screw M6-1x20 8,8	C
12	4700281431	2	Shock absorber	B
13	4700392799	1	Grid	
14	4700500021	6	Screw M8-1,25x25 8.8	C
15	4700391157	1	Connection block	
16	4700904230	6	Steel plain washer	C
17	4700500092	2	Screw	C
18	4700570006	4	Nut	C
19	4700792311	2	Battery	
20	4700357459	4	Rubber cloth	D
21	4700396634	2	Battery holder	
22	4700903456	1	Pipe clamp	
23	4700791711	1	Pipe clamp	
24	4700791712	1	Cover plate	
25	4700792326	1	Stud	
26	4812110667	1	Hydraulic oil filter	
	4700391433	1	. Filter element	A
	4700391432	1	Cleaning filter element	
27	4700791844	2	Elbow adapter 90	
28	4700792825	1	Blind insert nut	
29	4700903768	3	Threaded stud	C
30	4700904229	14	Washer 8,4x16x1,5	C
31	4700904567	2	Washer 10,5x28x6 HB305	C
32	4700500053	21	Screw M8x20H 8.8	C
33	4700570005	3	Nut M8	C
34	4700586003	10	Lock nut M8	C
35	4700379992	1	Plug	
36	4700390229	1	Rubber cloth	
37	4700615050	18	Washer	C
38	4700792325	5	Blind rivet	
39	4812111340	1	Bracket	
40	4700396635	2	Battery screw	
41	4700792441	2	Cable tie with holder	
42		1	Hose support (Page 40)	
43	4700904044	3	Lock washer	C
44	4700791823	1	Straight connector orfs	
45	4700791799	3	Straight connector orfs	
46	4700791231	1	Elbow 90	D
47	4700792334	1	Elbow 90 orfs	
48	4700791840	1	Elbow adapter 90, O-ring with swivel	
49	4700500048	1	Screw M10-1,5x20 8,8	C
50	4700904637	1	Washer	C
51	4812111339	1	Belt guard	
52	4700926215	8	Protective plug	
53	4700389859	N	Shims	



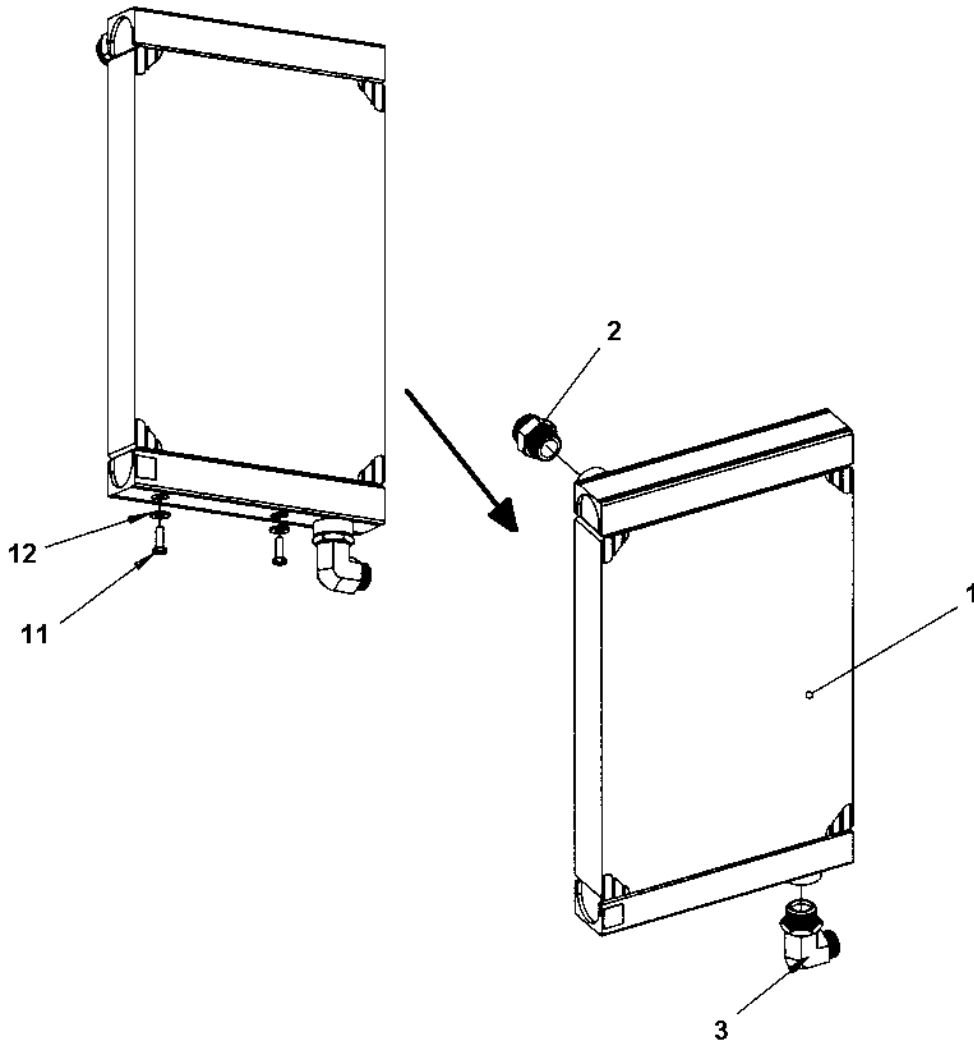
Engine cover, left

Item	Part No	Rem Qty	Description	Code
	4700396715	1	Engine cover, cpl	
1		1	. Cover	
2	4700396607	1	. Lock	
	4700902866	1	. . Key Marked "455"	A
4	4700392649	1	. Cover	
5	4700792325	10	. Blind rivet	
7	4700202057	1XL	. Edge trim	D
8	4700902166	1XL	. Edge trim	D
9	4700903953	1XL	. Edge trim	D
11	4700390365	1	. Spacer	
12	4700924875	2	. Screw	
13	4700904228	2	. Washer 6,4x12x1,5	C
14	4700586002	2	. Lock nut M6 -8	C
15	4700390545	1	. Strap	
16	4700904735	1	. Washer	C
17	4700500059	1	. Screw	
18	4700390546	1	. Noise suppression plate	
19	4700624020	4	. Blind rivet	
20	4700904653	4	. Screw M5x16 A2-70	C
21	4700792446	4	. Blind insert nut	



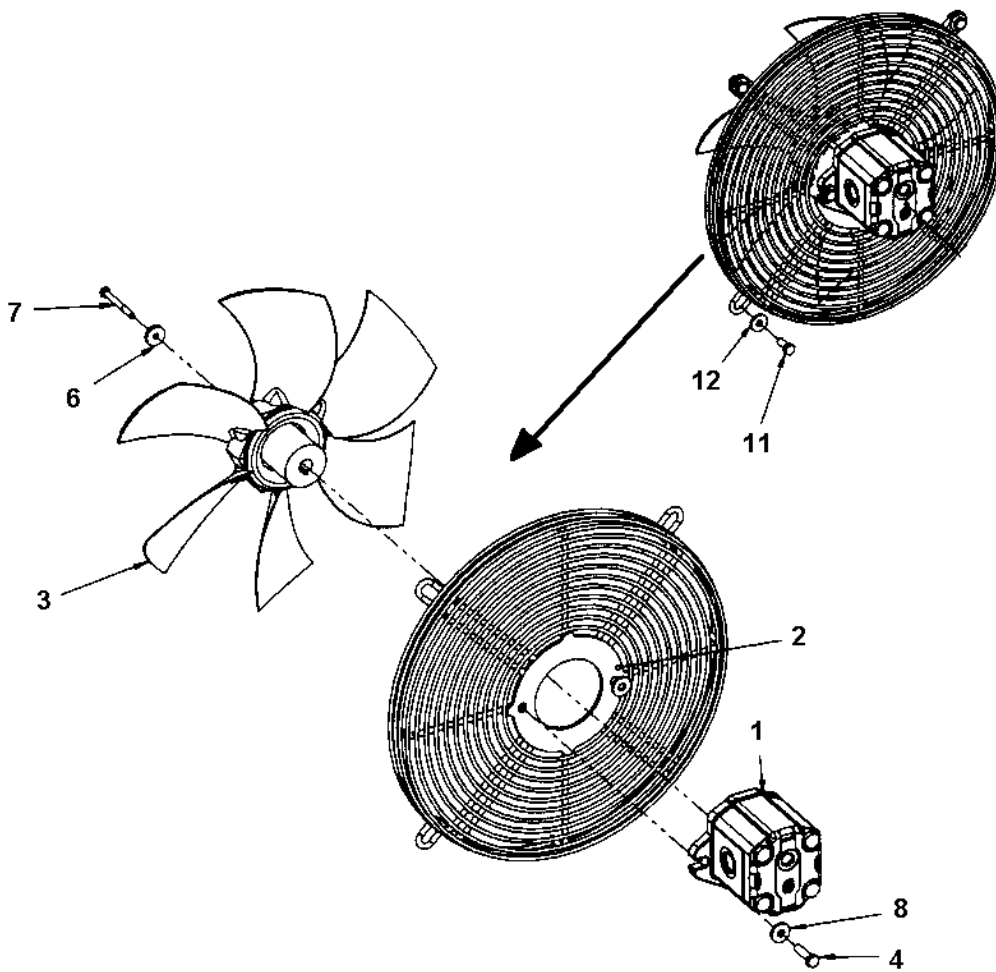
Engine cover, right

Item	Part No	Rem Qty	Description	Code
	4700396716	1	Engine cover, cpl	
1		1	. Cover	
2	4700396607	1	. Lock	
	4700902866	1	. . Key Marked "455"	A
3	4700624020	4	. Blind rivet	
4	4700392652	1	. Cover	
5	4700792325	10	. Blind rivet	
7	4700202057	1XL	. Edge trim	D
8	4700902166	1XL	. Edge trim	D
9	4700903953	1XL	. Edge trim	D
11	4700390365	1	. Spacer	
12	4700924875	2	. Screw	
13	4700904228	2	. Washer 6,4x12x1,5	C
14	4700586002	2	. Lock nut M6 -8	C
15	4700390545	1	. Strap	
16	4700904735	1	. Washer	C
17	4700500059	1	. Screw	



Radiator assembly

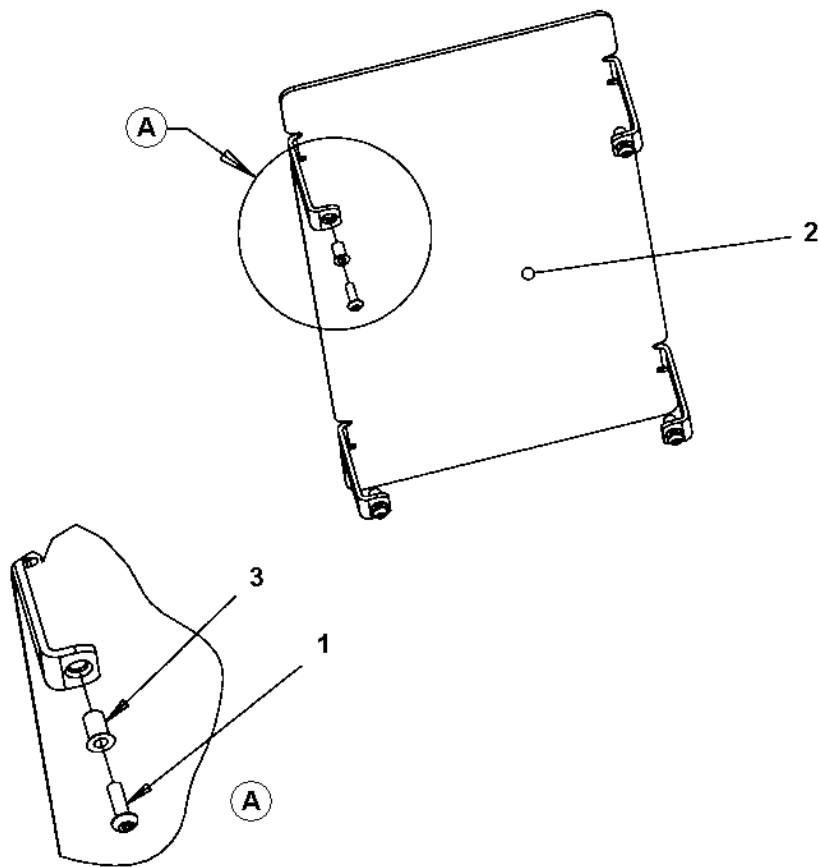
Item	Part No	Rem Qty	Description	Code
1	4700391886	1	Oil cooler	
2	4700792339	1	Straight connector orfs	
3	4700791321	1	Elbow adapter 90	
11	4700500021	2	Screw M8-1,25x25 8.8	C
12	4700904640	2	Washer 8,4x22x3	C



Fan assembly

Item	Part No	Rem Qty	Description	Code
1	4700390609	1	Hydraulic motor	D
2	4700391941	1	Fan guard	
3	4700391940	1	Fan	
4	4700500022	2	Screw M8x30H 8.8 A2K	C
6	4700904735	1	Washer	C
7	4700500016	1	Screw M6x55 8.8 A2K	C
8	4700904640	2	Washer 8,4x22x3	C
11	4700500053	4	Screw M8x20H 8.8	C
12	4700904640	4	Washer 8,4x22x3	C

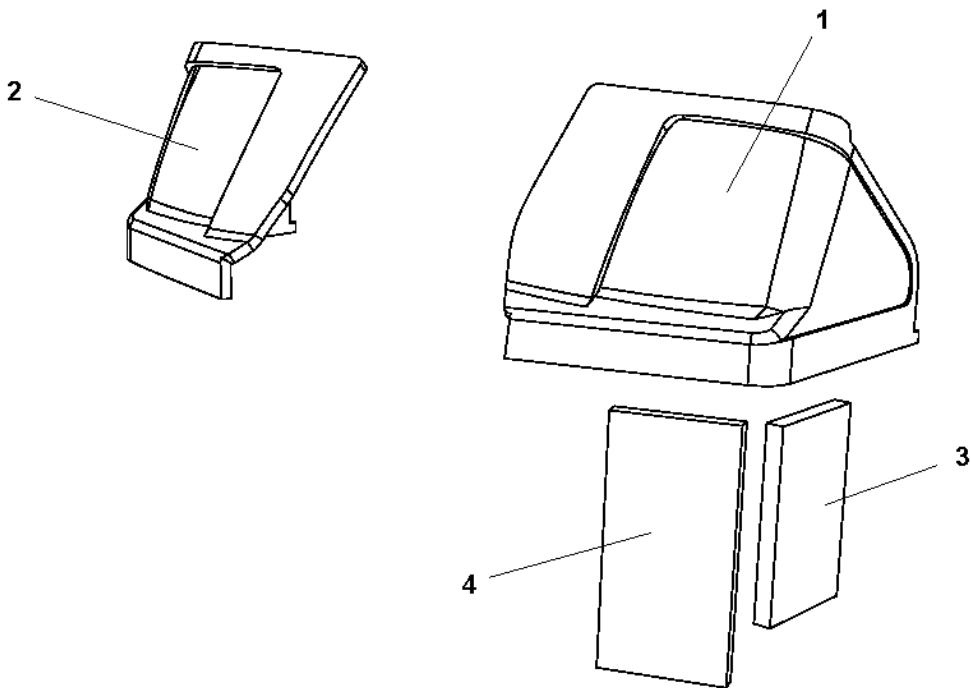
Noise suppression plates



Noise suppression plates

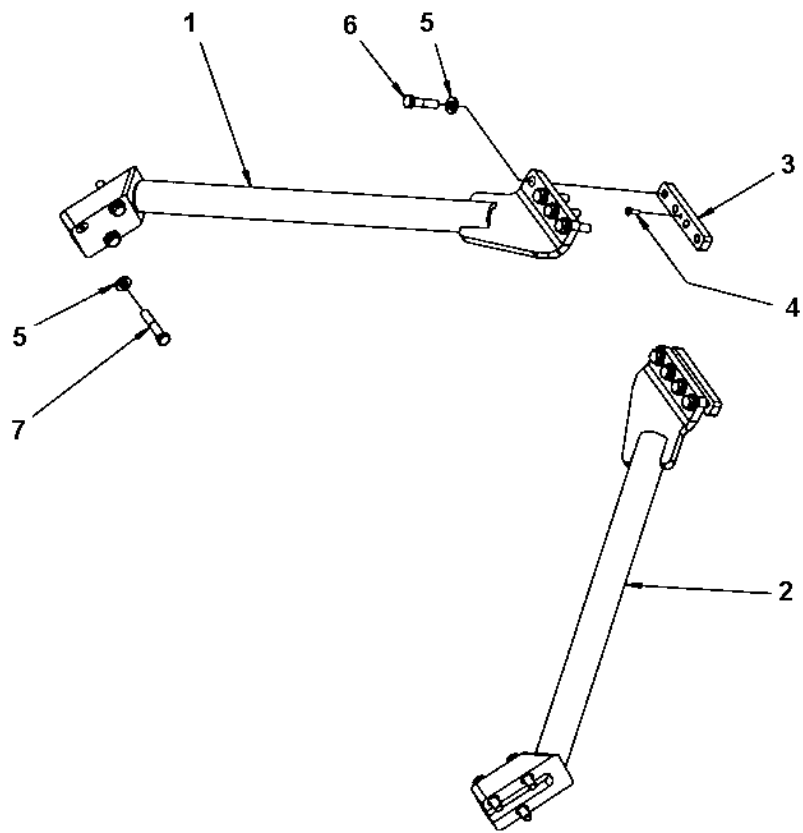
Item	Part No	Rem Qty	Description	Code
1	4700904653	4	Screw M5x16 A2-70	C
2	4700392803	1	Noise suppression plate	
3	4700792446	4	Blind insert nut	

4700396638 Noise suppression kit, covers



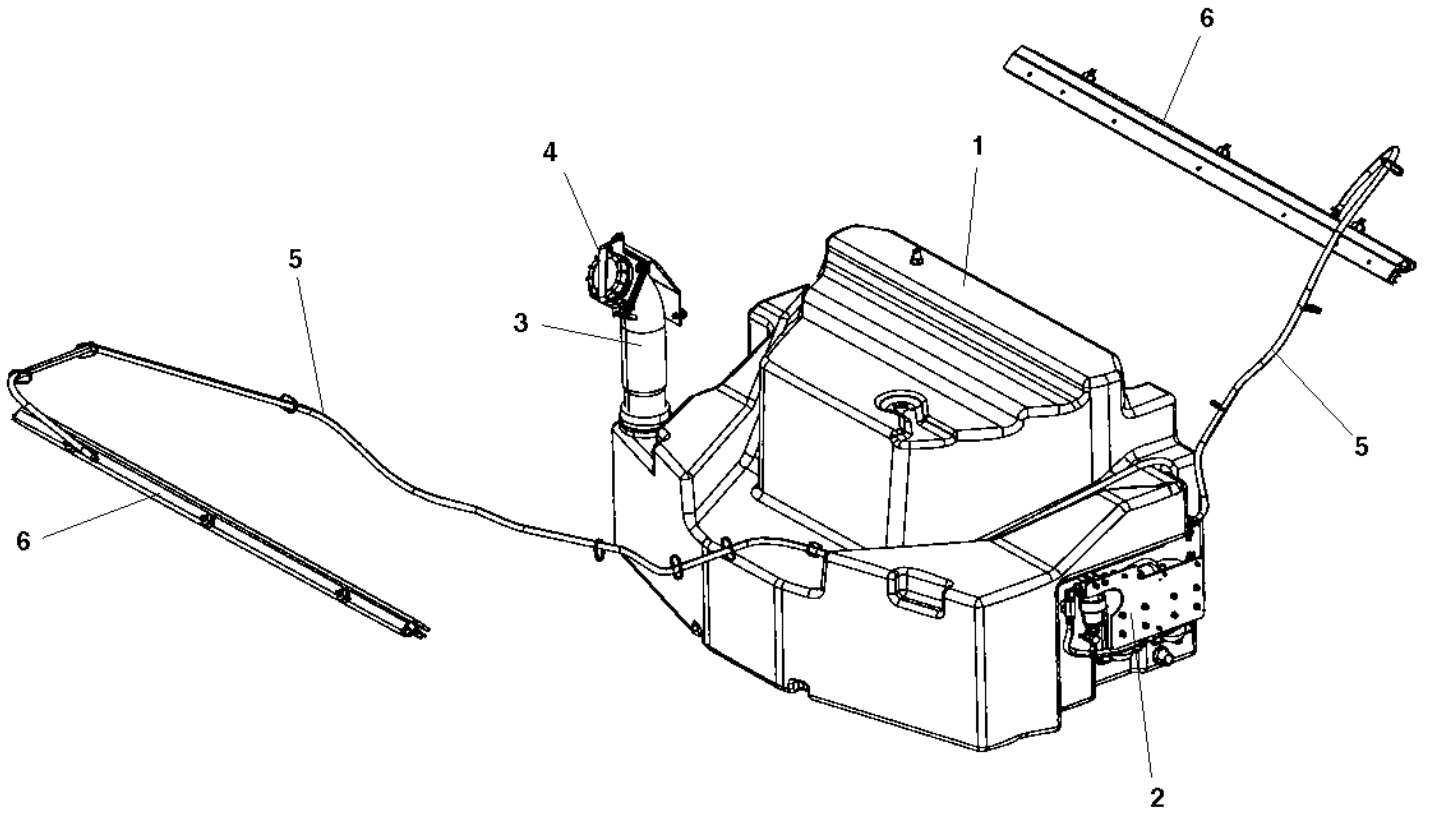
4700396638 Noise suppression kit, covers

Item	Part No	Rem Qty	Description	Code
	4700396638		Noise suppression kit, covers (Page 68)	
1		1	. Sound absorbent	
2		1	. Sound absorbent	
3		1	. Sound absorbent	
4		1	. Sound absorbent	



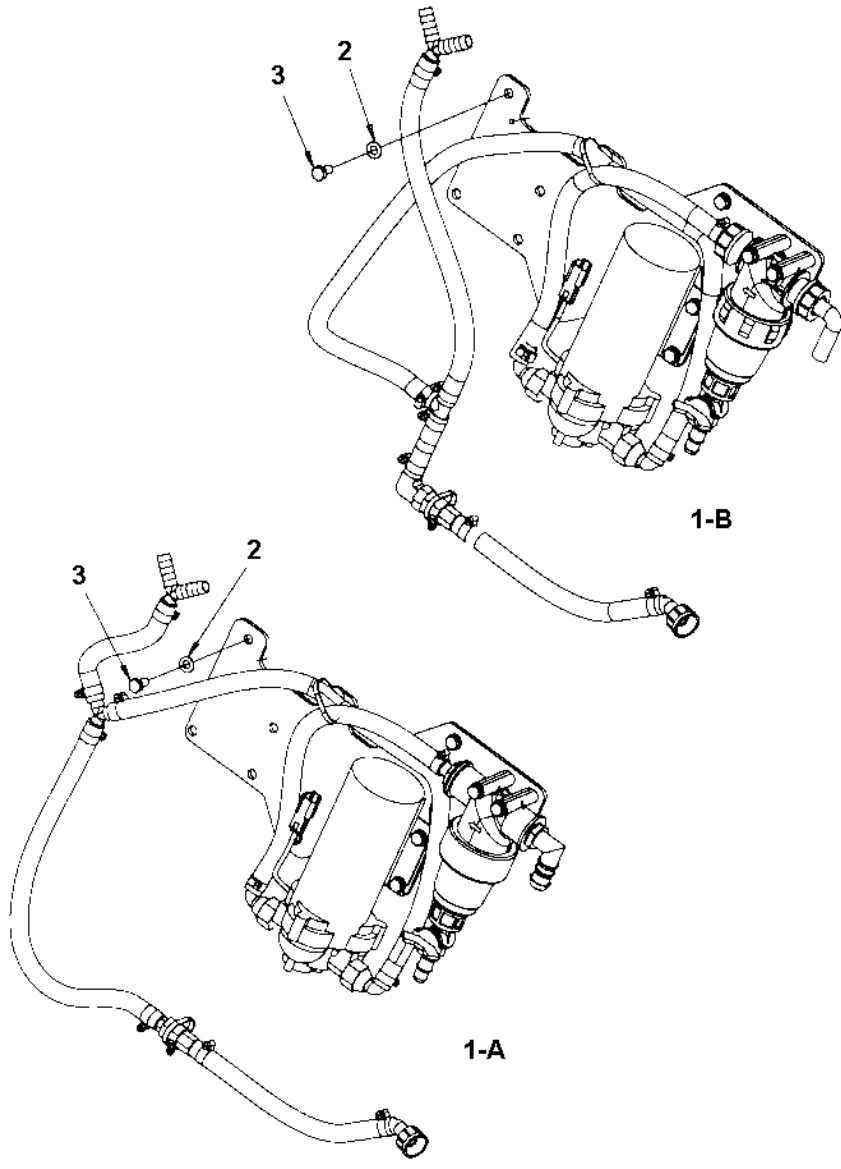
Stabilizer module

Item	Part No	Rem Qty	Description	Code
1	4700396678	1	Support	
2	4700396679	1	Support	
3	4700396750	2	Bracket	
4	4700513012	2	Screw M6x20 10,9	C
5	4700904703	14	Washer	C
6	4700500195	8	Screw	C
7	4700500049	6	Screw	C



Sprinkler system

Item	Part No	Rem Qty	Description	Code
1		1	Tank structure module (Page 34)	
2		1	Sprinkler pump module (Page 74)	
		1	Sprinkler pump, backup (Page 80)	
		1	Sprinkler pump, additonal sprinkler/cocoa mat (Page 82)	
3		1	Filling pipe (Page 88)	
4		1	Locking device module (Page 90)	
5		1	Water hoses (Page 92)	
6		2	Scraper module, with nozzles (Page 116)	



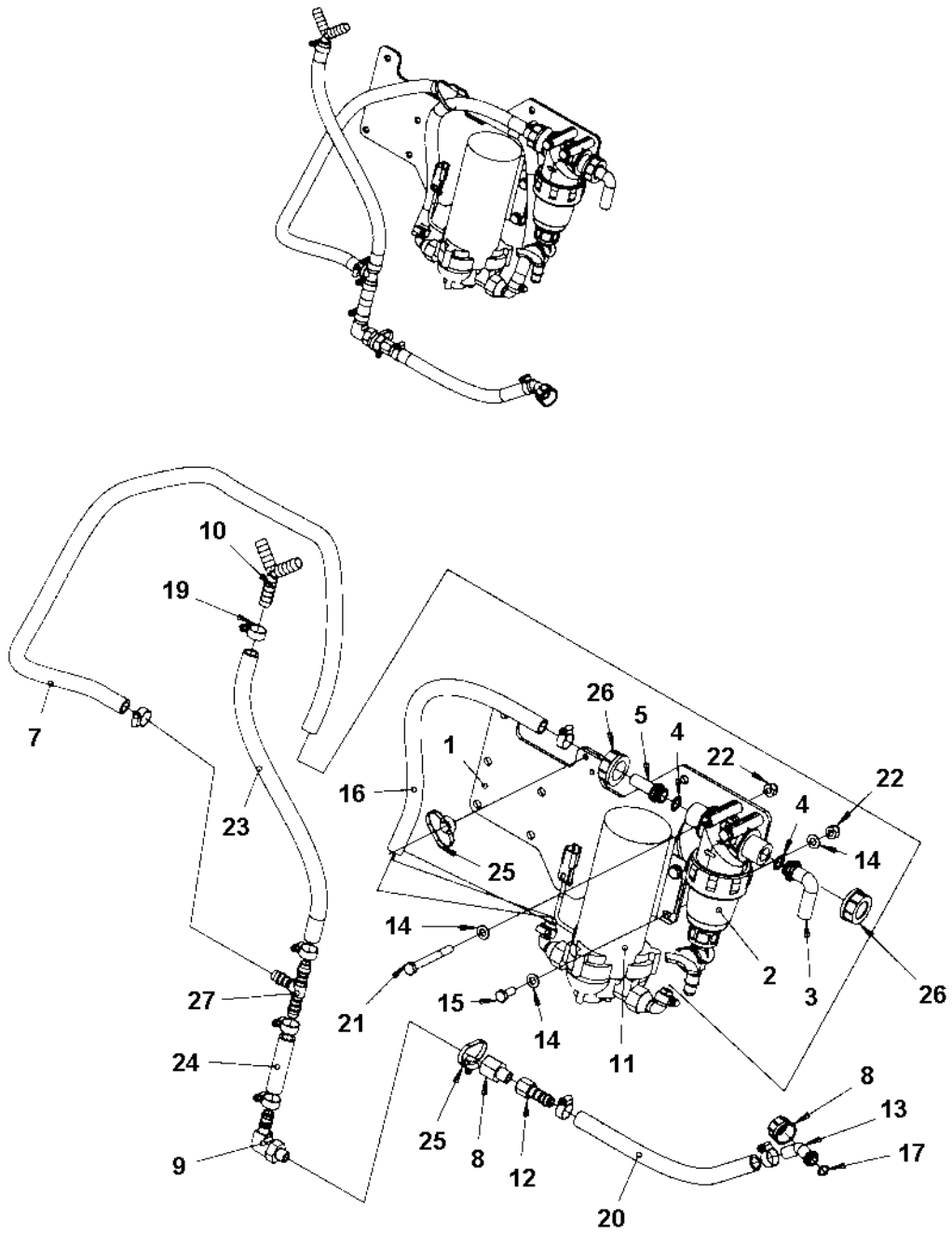
Sprinkler pump module

Item	Part No	Rem Qty	Description	Code
1-A		1	Sprinkler pump (Page 76)	
1-B		1	Sprinkler pump (Page 78)	
2	4700904229	3	Washer 8,4x16x1,5	C
3	4700500019	3	Screw M8x16H 8.8 A2K	C

Sprinkler pump

Item	Part No	Rem	Qty	Description	Code
1	4812110491		1	Sprinkler plate	
2	4700791950		1	Water strainer, cpl	
3	4700792777		1	Hose connection	C
4	4700160313		1	O-ring 70	D
5	4700396672		1	Hose connection, plastic	
7	4812112074	A	1XL	Plastic hose	
8	4700792813		1	Bypass valve	
9	4700791977		1	Hose connection	C
10	4811000107		2	Hose connection	C
11	4812110394		1	Sprinkler pump	
12	4811000085		1	Hose connection	
13	4700393542		1	Hose connection swivel	C
14	4700904229		10	Washer 8,4x16x1,5	C
15	4700500053		4	Screw M8x20H 8.8	C
16	4812112074	B	1XL	Plastic hose	
17	4700792600		1	O-ring 70	
18	4700392227		1	Swivel nut	
19	4700313001		10	Hose clamp	D
20	4812112074	C	1XL	Plastic hose	
21	4700500090		2	Screw	C
22	4700586003		6	Lock nut M8	C
23	4812112074	C	1XL	Plastic hose	
24	4812112074	C	1XL	Plastic hose	
25	4700792441		N	Cable tie with holder	

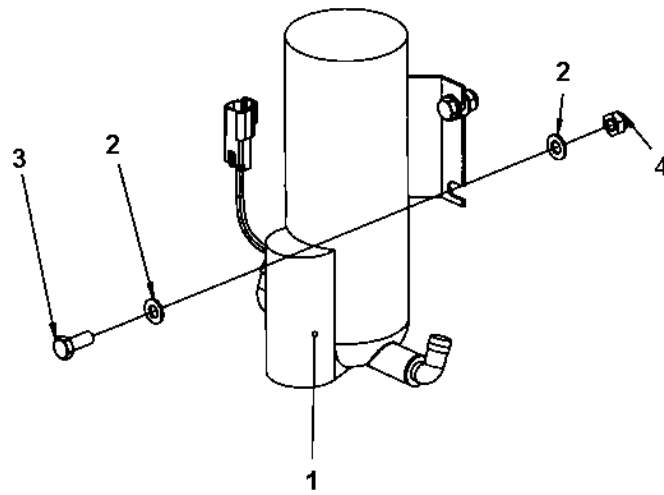
- A) L= 0.82 m
- B) L= 0.70 m
- C) Length as required. (order in meter)



Sprinkler pump

Item	Part No	Rem	Qty	Description	Code
1	4812110491		1	Sprinkler plate	
2	4812111325		1	Water strainer, cpl	
3	4812111332		1	Hose connection swivel	
4	4700480852		2	O-ring 70	
5	4812111329		1	Hose connection swivel	
7	4812112074	A	1XL	Plastic hose	
8	4700792813		1	Bypass valve	
9	4700901431		1	Hose connection	C
10	4811000107		1	Hose connection	C
11	4812110394		1	Sprinkler pump	
12	4811000085		1	Hose connection	
13	4700393542		1	Hose connection swivel	C
14	4700904229		10	Washer 8,4x16x1,5	C
15	4700500053		4	Screw M8x20H 8.8	C
16	4812112074	B	1XL	Plastic hose	
17	4700792600		1	O-ring 70	
18	4700392227		1	Swivel nut	
19	4700313002		10	Hose clamp 13-20 mm	D
20	4812112074	C	1XL	Plastic hose	
21	4700500090		2	Screw	C
22	4700586003		6	Lock nut M8	C
23	4812112074	D	1XL	Plastic hose	
24	4812112074	E	1XL	Plastic hose	
25	4700792441		N	Cable tie with holder	
26	4700792779		2	Swivel nut	
27	4700923735		1	Hose connection	C

- A) L= 1.24 m
- B) L= 0.71 m
- C) L= 0.20 m
- D) L= 0.38 m
- E) L= 0.07

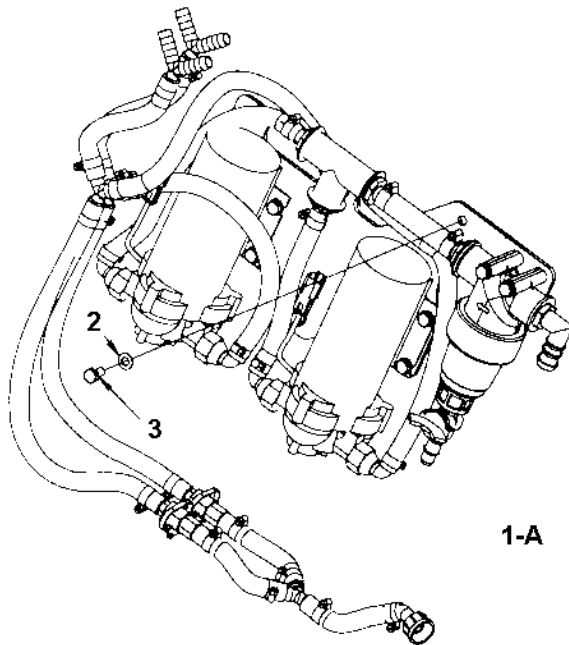
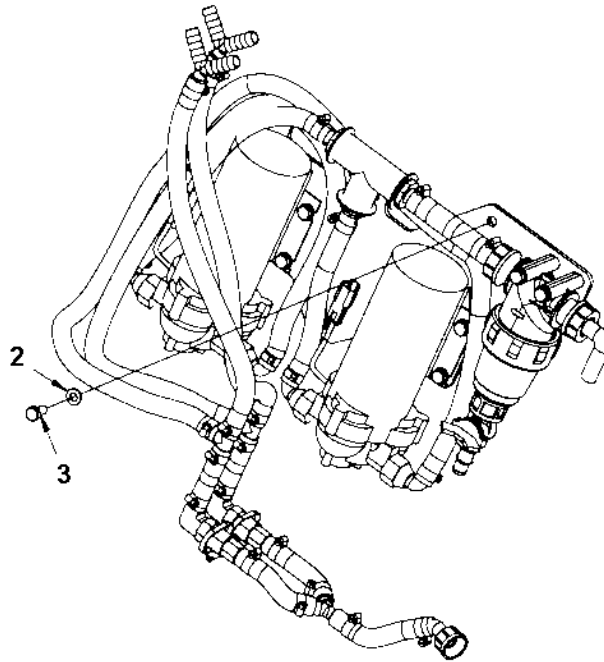


Sprinkler pump, backup

Item	Part No	Rem	Qty	Description	Code
1	4700391495	1	1	Sprinkler pump	
	4812110358	2	1	Sprinkler pump	
	4812110394		1	Sprinkler pump	
2	4700904229		8	Washer 8,4x16x1,5	C
3	4700500053		4	Screw M8x20H 8.8	C
4	4700791182		4	Lock nut M8	

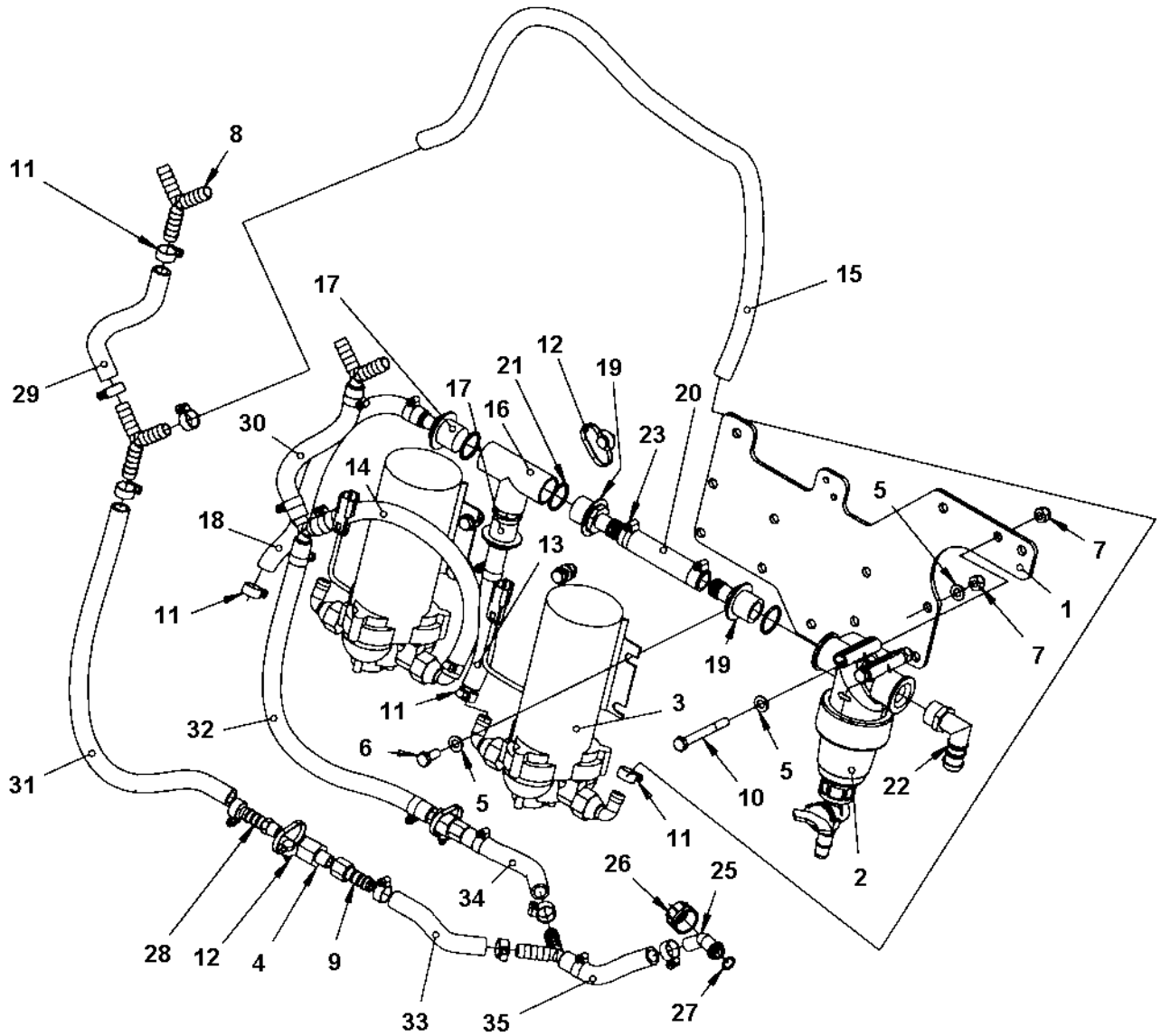
- 1) Replaced as Spare Part by PN 4812110358.
- 2) Replaces PN 4700391495.

Sprinkler pump, additional sprinkler/cocoa mat



Sprinkler pump, additional sprinkler/cocoa mat

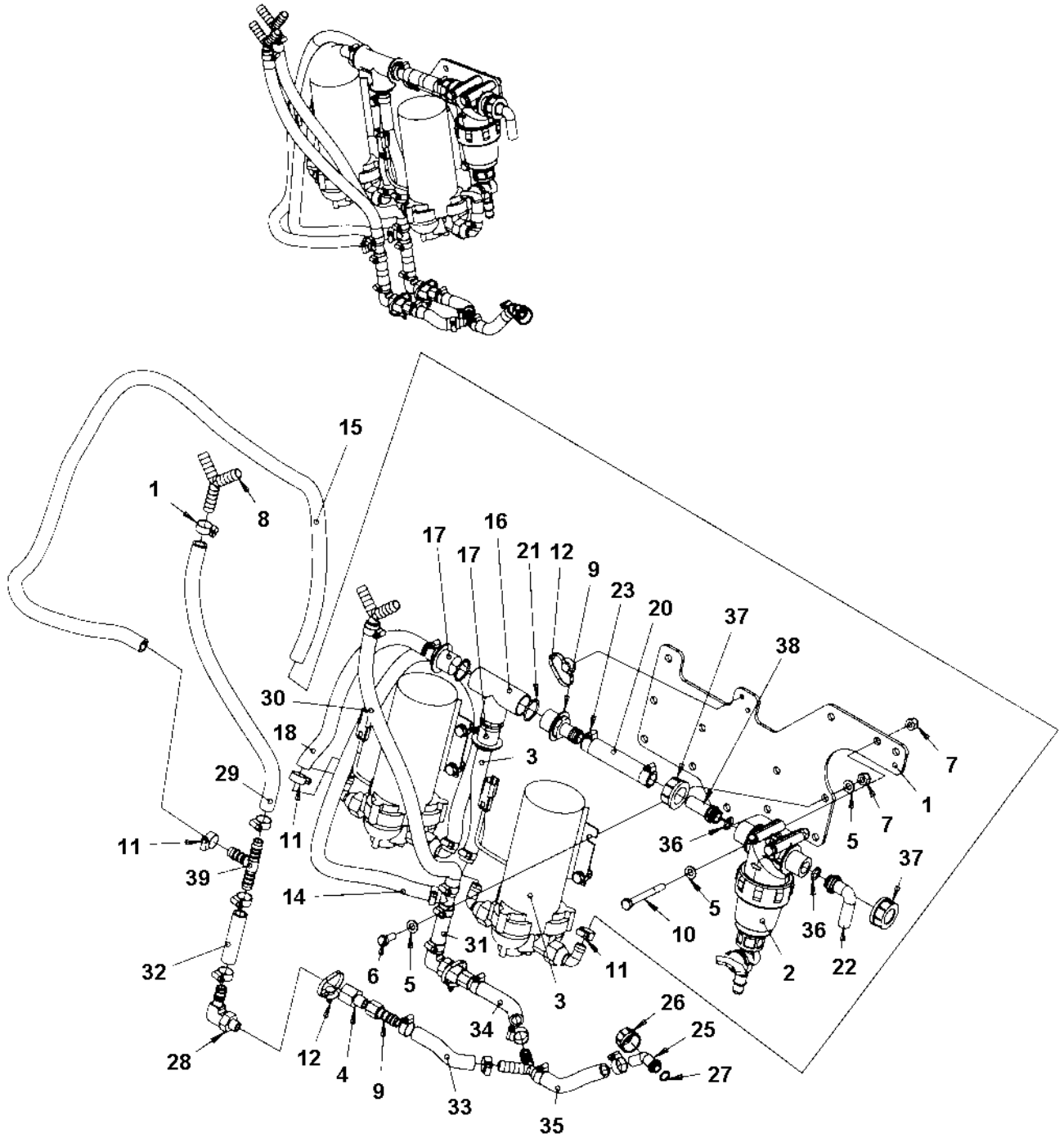
Item	Part No	Rem Qty	Description	Code
1-A		1	Sprinkler pumps (Page 84)	
1-B		1	Sprinkler pumps (Page 86)	
2	4700904229	3	Washer 8,4x16x1,5	C
3	4700500019	3	Screw M8x16H 8.8 A2K	C



Sprinkler pumps

Item	Part No	Rem Qty	Description	Code
1	4812110491	1	Sprinkler plate	
2	4700791950	1	Water strainer, cpl	
3	4812110394	2	Sprinkler pump	
4	4700792813	2	Bypass valve	
5	4700904229	18	Washer 8,4x16x1,5	C
6	4700500053	8	Screw M8x20H 8.8	C
7	4700586003	10	Lock nut M8	C
8	4811000107	5	Hose connection	C
9	4811000085	2	Hose connection	
10	4700500090	2	Screw	C
11	4700313001	22	Hose clamp	D
12	4700792441	N	Cable tie with holder	
13	4812112074	A 1XL	Plastic hose	
14	4812112074	B 1XL	Plastic hose	
15	4812112074	C 1XL	Plastic hose	
16	4700792778	1	Tee-connector	
17	4700396672	2	Hose connection, plastic	
18	4812112074	D 1XL	Plastic hose	
19	4700396673	2	Hose connection	
20	4700792073	E 1XL	Hose reinforced	D
21	4700160313	4	O-ring 70	D
22	4700792777	1	Hose connection	C
23	4700313003	2	Hose clamp	D
25	4700393542	1	Hose connection swivel	C
26	4700392227	1	Swivel nut	
27	4700792600	1	O-ring 70	
28	4700791977	2	Hose connection	C
29	4812112074	F 1XL	Plastic hose	
30	4812112074	F 1XL	Plastic hose	
31	4812112074	F 1XL	Plastic hose	
32	4812112074	F 1XL	Plastic hose	
33	4812112074	F 1XL	Plastic hose	
34	4812112074	F 1XL	Plastic hose	
35	4812112074	F 1XL	Plastic hose	

- A) L= 0.20 m
- B) L= 0.65 m
- C) L= 0.82 m
- D) L= 0.31 m
- E) L= 0.10 m
- F) Length as required.

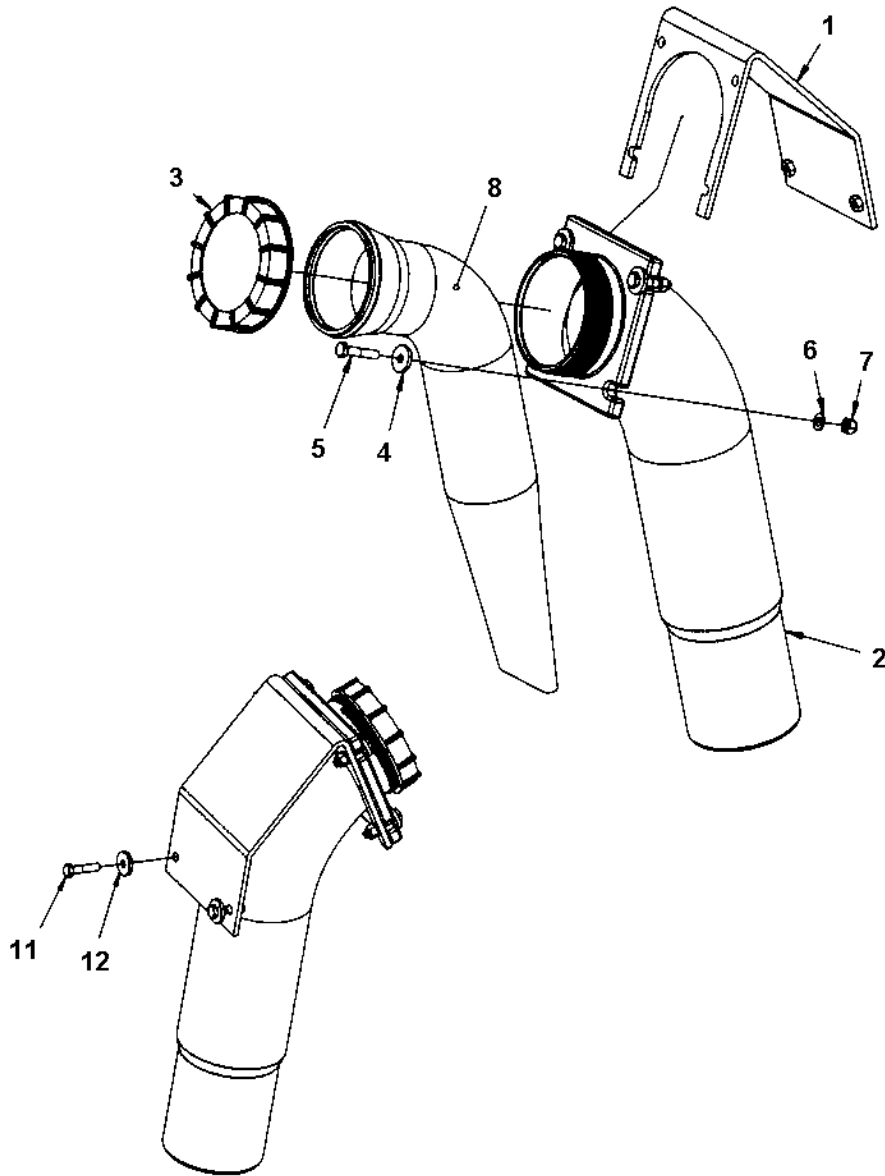


Sprinkler pumps

Item	Part No	Rem Qty	Description	Code
1	4812110491	1	Sprinkler plate	
2	4812111325	1	Water strainer, cpl	
3	4812110394	2	Sprinkler pump	
4	4700792813	2	Bypass valve	
5	4700904229	18	Washer 8,4x16x1,5	C
6	4700500053	8	Screw M8x20H 8.8	C
7	4700586003	10	Lock nut M8	C
8	4811000107	3	Hose connection	C
9	4811000085	2	Hose connection	
10	4700500090	2	Screw	C
11	4700313002	22	Hose clamp 13-20 mm	D
12	4700792441	0	Cable tie with holder	
13	4812112074	A 1XL	Plastic hose	
14	4812112074	B 1XL	Plastic hose	
15	4812112074	C 1XL	Plastic hose	
16	4700792778	1	Tee-connector	
17	4700396672	2	Hose connection, plastic	
18	4812112074	D 1XL	Plastic hose	
19	4700396673	1	Hose connection	
20	4700792073	E 1XL	Hose reinforced	D
21	4700160313	3	O-ring 70	D
22	4812111332	1	Hose connection swivel	
23	4700313003	2	Hose clamp	D
25	4700393542	1	Hose connection swivel	C
26	4700392227	1	Swivel nut	
27	4700792600	1	O-ring 70	
28	4700901431	2	Hose connection	C
29	4812112074	F 1XL	Plastic hose	
30	4812112074	F 1XL	Plastic hose	
31	4812112074	G 1XL	Plastic hose	
32	4812112074	G 1XL	Plastic hose	
33	4812112074	H 1XL	Plastic hose	
34	4812112074	H 1XL	Plastic hose	
35	4812112074	I 1XL	Plastic hose	
36	4700480852	2	O-ring 70	
37	4700792779	2	Swivel nut	
38	4700792780	1	Hose connection swivel	
39	4700923735	2	Hose connection	C

- A) L=0.20 m
- B) L= 0.98 m
- C) L= 1.24 m
- D) L= 0.31 m
- E) L= 0.11 m
- F) L= 0.38 m
- G) L= 0.07 m
- H) L= 0.12 m
- I) L= 0.09 m

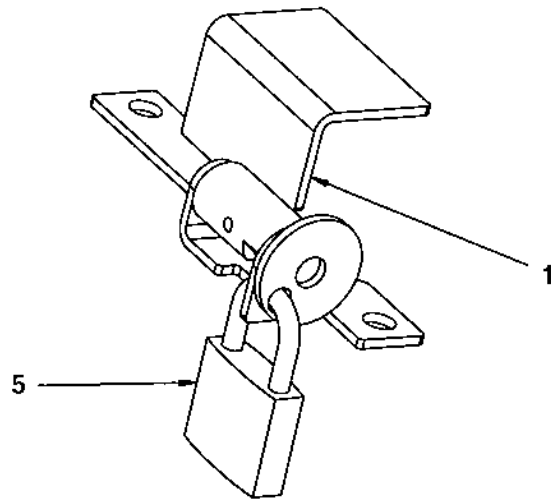
Filling pipe



Filling pipe

Item	Part No	Rem Qty	Description	Code	
1	4700391626	1	Bracket		
2	4700390613	1	Filling pipe		
3	4700920819	1	Filler cap	D	
4	4700904734	4	Washer 8,4x26x4	C	
5	4700500023	4	Screw M8-1,25x40 8,8	C	
6	4700904229	4	Washer 8,4x16x1,5	C	
	4700904229	1	6	Washer 8,4x16x1,5	C
7	4700586003	4	Lock nut M8	C	
8	4700391444	1	Strainer		
11	4700500047	2	Hexagon head screw	C	
12	4700904734	2	Washer 8,4x26x4	C	

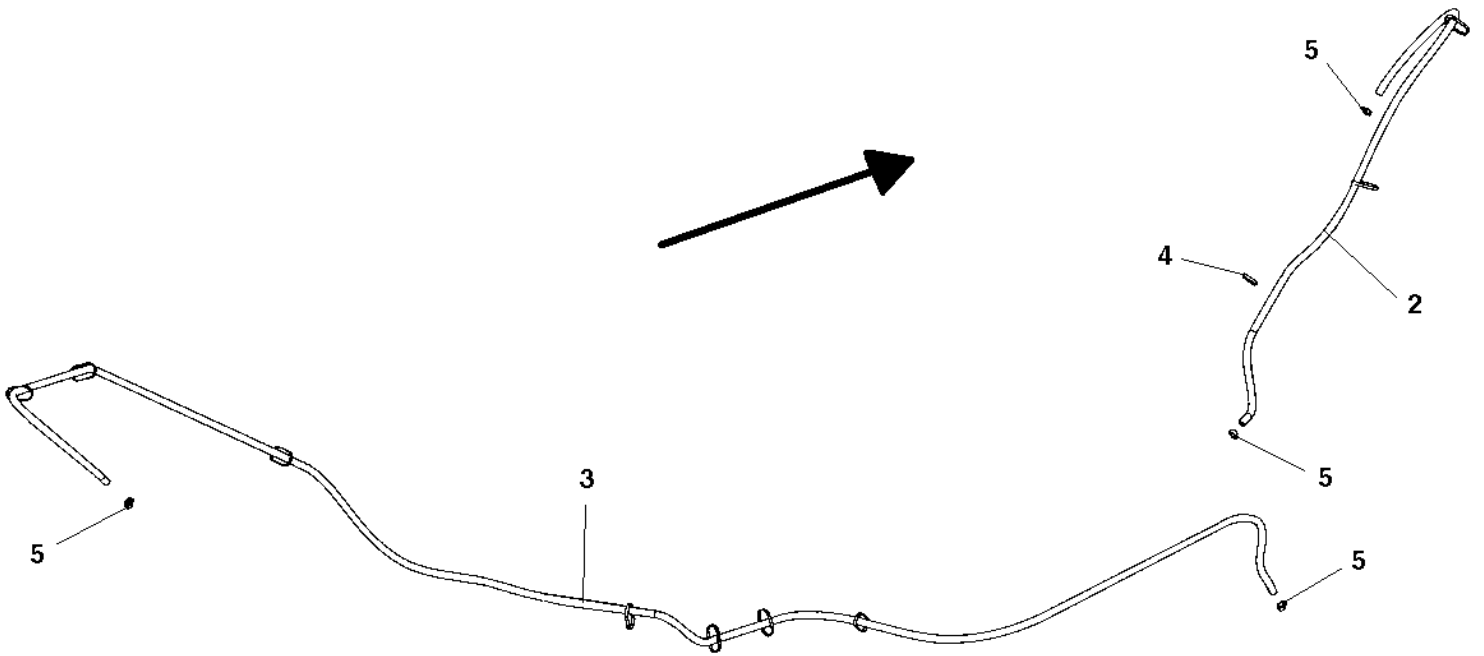
- 1) 2pcs used on upper side (instead of 2pcs item 4), when machine equipped with lockable cap.



Locking device module

Item	Part No	Rem Qty	Description	Code
1		1	Locking device	C
	4700394587	1	. Bracket	
	4700394591	1	. Shaft	
	4700394590	1	. Lock bracket	
	4700629008	1	. Spring pin	
5	4700358881	1	Pad lock	D

Water hoses

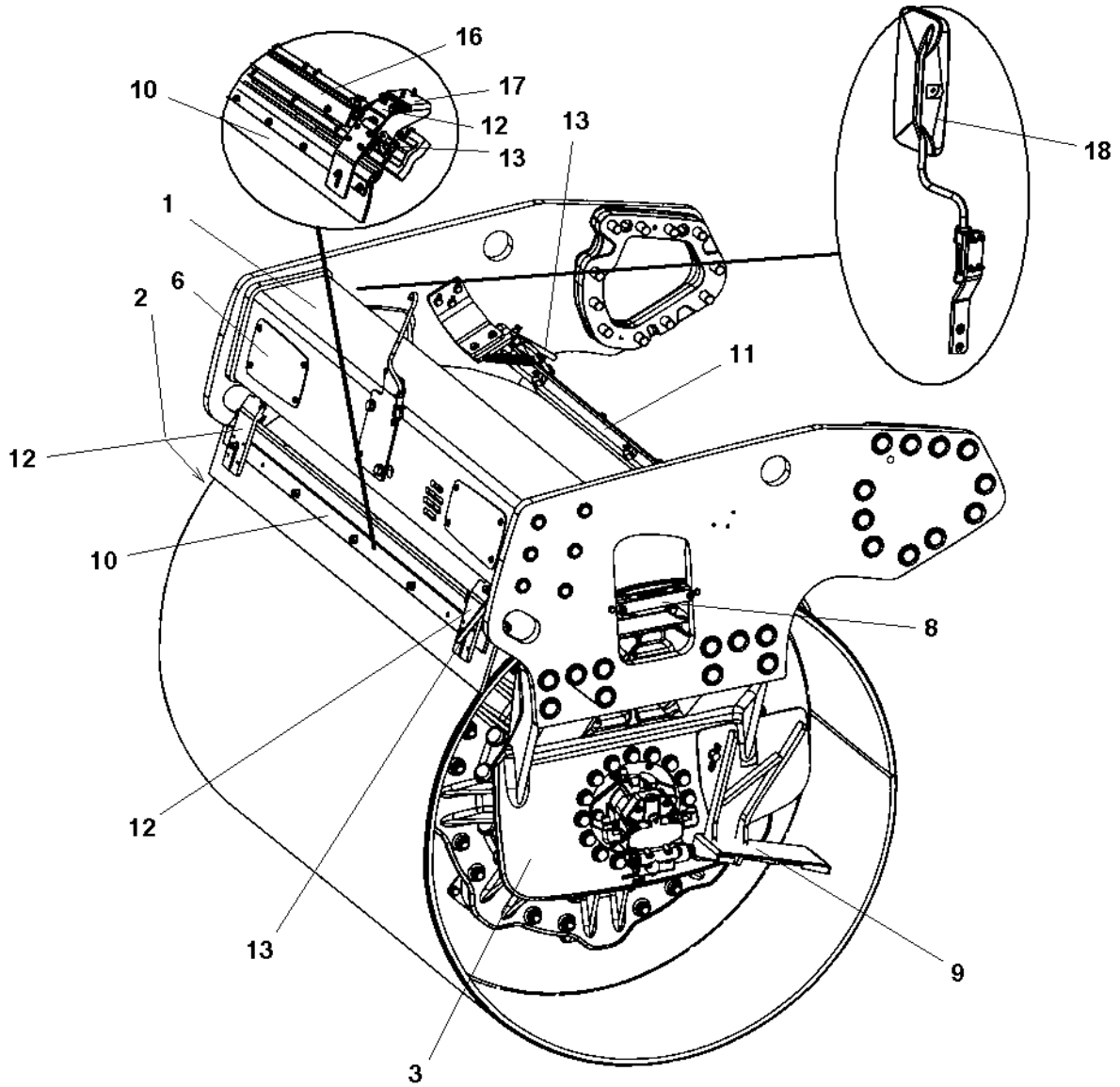


Water hoses

Item	Part No	Rem	Qty	Description	Code
2	4812112074	B	1XL	Plastic hose	
3	4812112074	C	1XL	Plastic hose	
4	4700313102		N	Cable ties	D
5	4700313001		6	Hose clamp	D

B) L=1.7 m

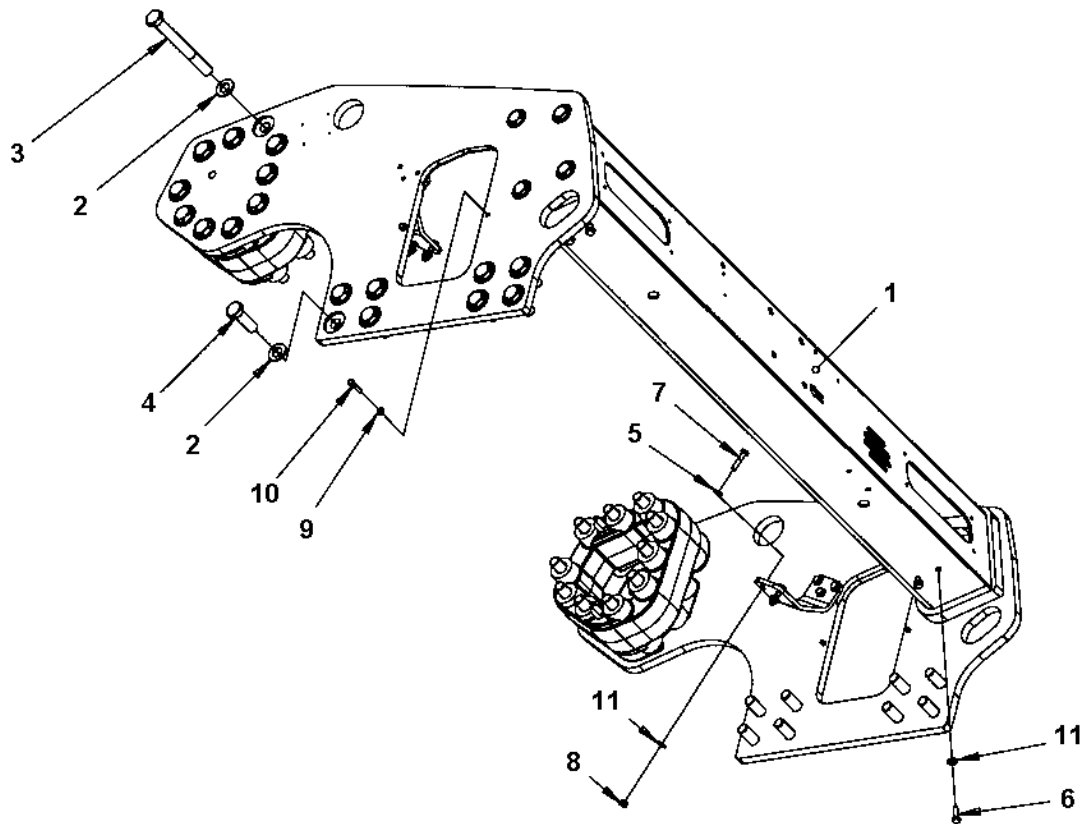
C) L=4.3 m, machine with offset L=4.0 m



End frame, front

Item	Part No	Rem	Qty	Description	Code
1			1	End frame, front (Page 96)	
2			1	Fork, vibration side (Page 100)	
3			1	Fork, propulsion side (Page 102)	
6			2	Cover plate (Page 104)	
8			1	Hose clamp, propulsion side (Page 106)	
			1	Hose clamp, vibration side (Page 108)	
9			1	Step, vibration side (Page 110)	
10			1	Scraper module, without nozzles (Page 112)	
11			1	Scraper module, with nozzles (Page 116)	
12	4700394340		2	Scraper bracket, cpl (Page 120)	
13		1	2	Grab handle, release (Page 122)	
		2	1	Grab handle, release (Page 124)	
14			1	Grab handle, lift (Page 126)	
			1	Grab handle, lift offset/cocoa mat (Page 128)	
15			1	Eyelet module (Page 130)	
16			1	Cocoa mat module (Page 132)	
17			2	Cocoa mat bracket module (Page 136)	
18			1	Process mirrors (Page 140)	

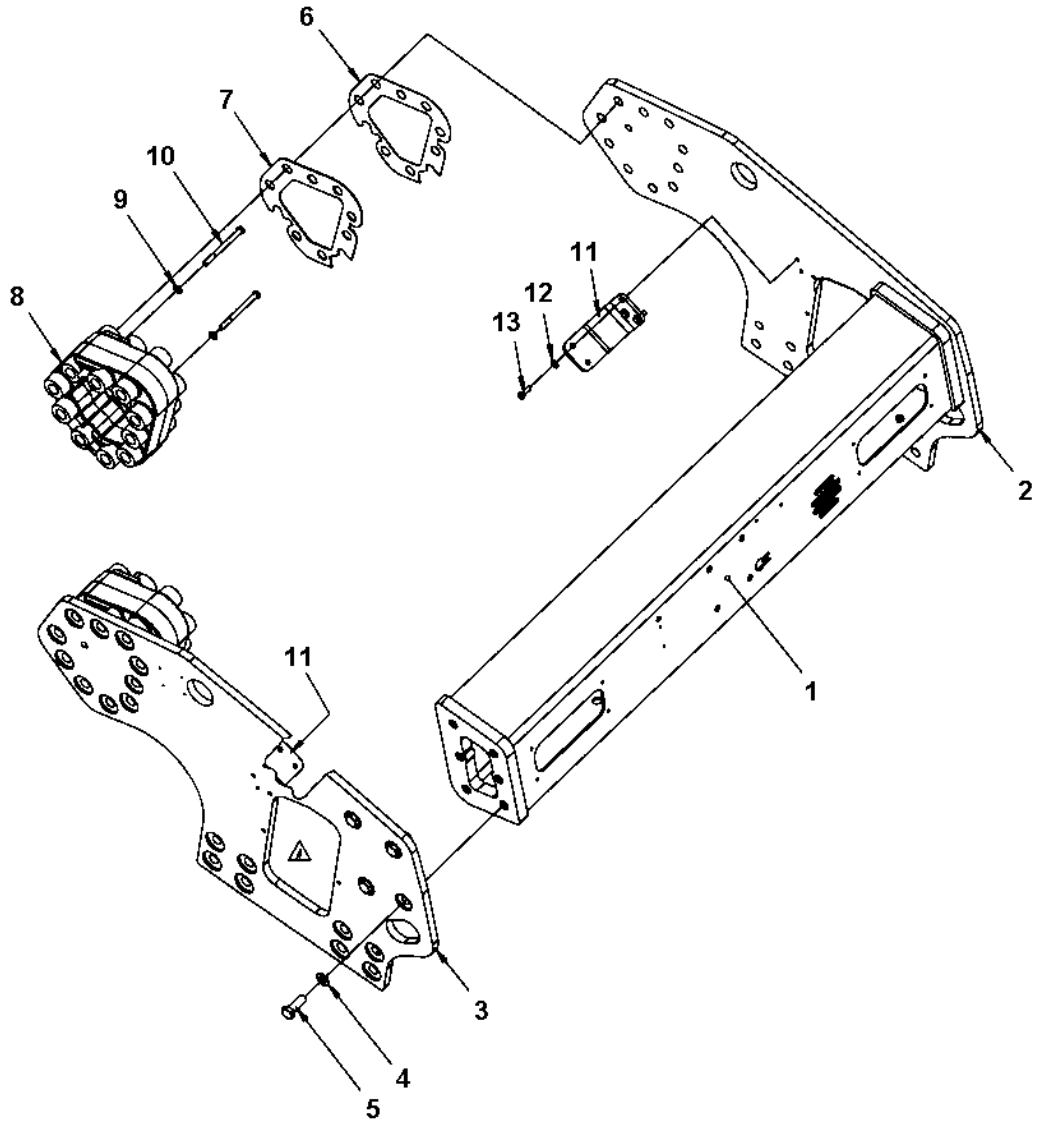
- 1) Qty 1 when cocoa mat mounted.
- 2) For cocoa mat



End frame, front

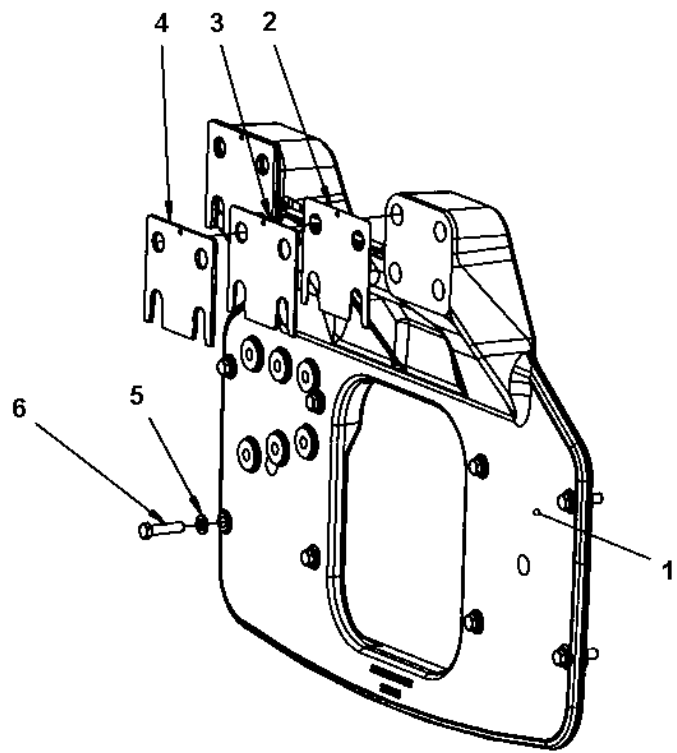
Item	Part No	Rem Qty	Description	Code
1		1	Frame assy (Page 98)	
2	4700904234	36	Steel plain washer	C
3	4700792546	20	Hexagon head screw M24x220	C
4	4700500289	16	Screw M24x70H	C
5	4700904230	4	Steel plain washer	C
6	4700500030	4	Hexagon head screw	C
7	4700500161	4	Hexagon head screw	C
8	4700791172	4	Hexagon lock nut	C
9	4700904556	4	Washer 8,4x16x3,0	C
10	4700500047	4	Hexagon head screw	C
11	4700904557	8	Steel plain washer	C

Frame assy



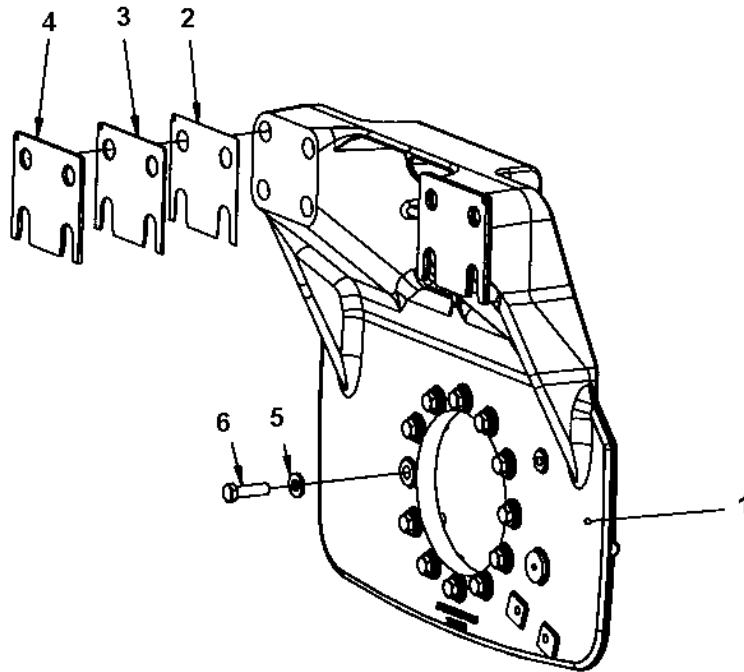
Frame assy

Item	Part No	Rem Qty	Description	Code
1	4700390060	1	Cross beam	
2	4700393100	1	Side plate	
3	4700393101	1	Side plate	
4	4700904233	8	Steel plain washer	C
5	4700500265	8	Screw	C
6	4700392916	0	Shim	
7	4700392917	0	Shim	
8	4700392877	2	Spacer	
9	4700904231	4	Steel plain washer	C
10	4700500225	4	Hexagon head screw m	
11	4700394787	2	Holder	
12	4700904230	6	Steel plain washer	C
13	4700500029	6	Hexagon head screw	C



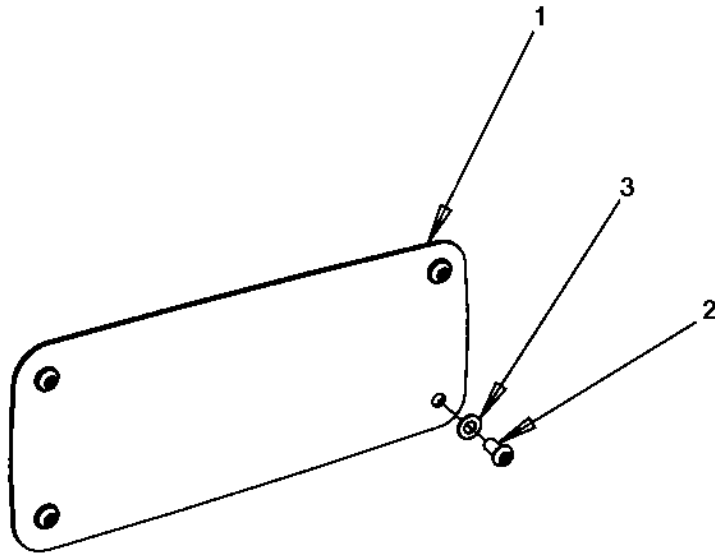
Fork, vibration side

Item	Part No	Rem Qty	Description	Code
1	4700393195	1	Fork	
2	4700393628	0	Shim	
3	4700393629	0	Shim	
4	4700393630	0	Shim	
5	4700904231	8	Steel plain washer	C
6	4812110644	8	Hexagon screw w Tuflok M12x50 10.9 GEOMET	C



Fork, propulsion side

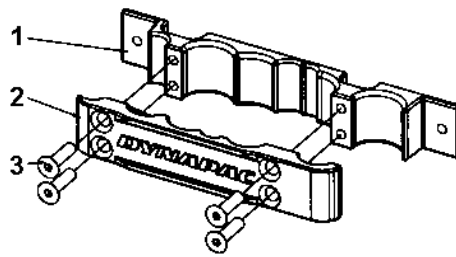
Item	Part No	Rem Qty	Description	Code
1	4700393193	1	Fork	
2	4700393628	0	Shim	
3	4700393629	0	Shim	
4	4700393630	0	Shim	
5	4700904214	12	Washer 15x30x4 300 HV	C
6	4700928371	12	Screw	C



Cover plate

Item	Part No	Rem Qty	Description	Code
1	4700390919	1	Cover plate	
2	4700904956	4	Screw	
3	4700904229	4	Washer 8,4x16x1,5	C

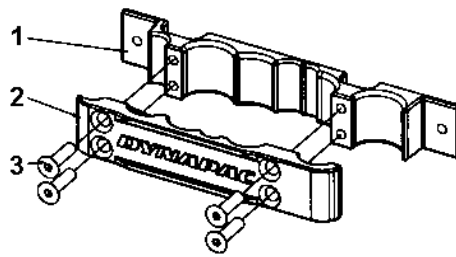
Hose clamp, propulsion side



Hose clamp, propulsion side

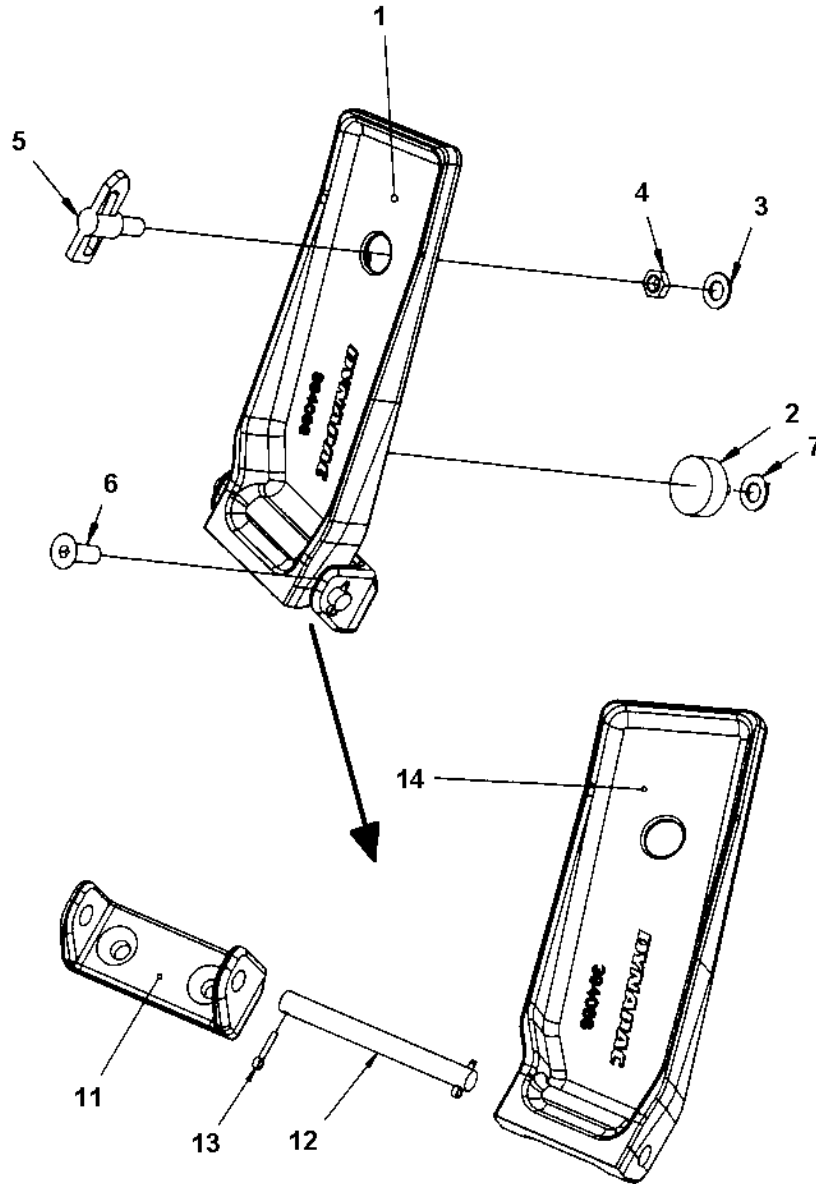
Item	Part No	Rem Qty	Description	Code
1	4700395428	1	Hose clamp	
2	4700395429	1	Cover	
3	4700792726	4	Hexagon socket countersunk screw	

Hose clamp, vibration side



Hose clamp, vibration side

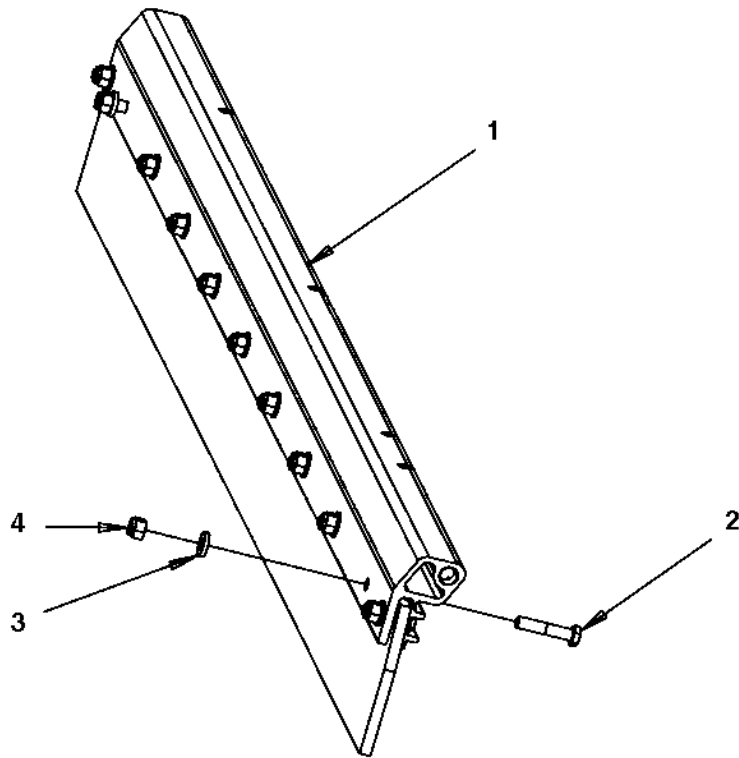
Item	Part No	Rem Qty	Description	Code
1	4700395428	1	Hose clamp	
2	4700395430	1	Cover	
3	4700792726	4	Hexagon socket countersunk screw	



Step, vibration side

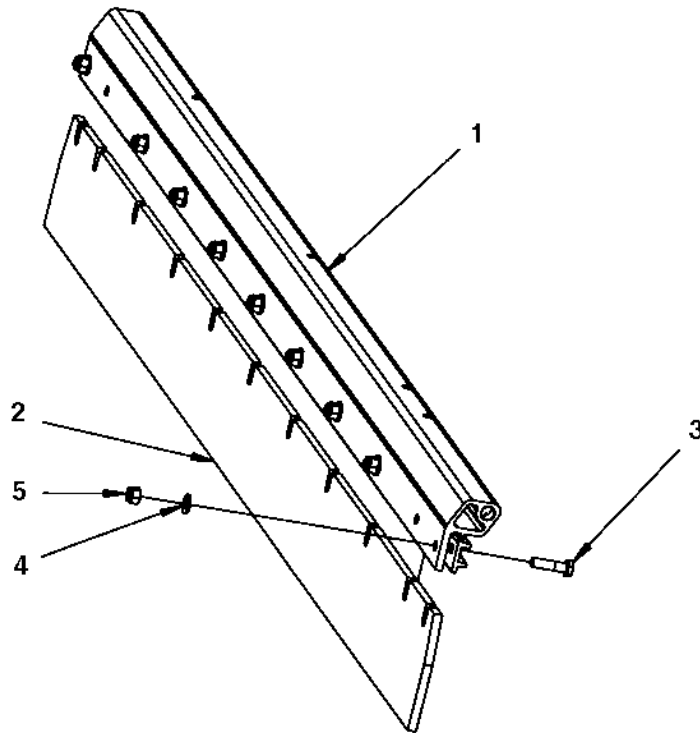
Item	Part No	Rem Qty	Description	Code
1		1	Step, mounted	
2	4700792601	1	Shock absorber	
3	4700904231	1	Steel plain washer	C
4	4700927233	1	Nut	C
5	4700475064	1	Lock	
6	4700513011	2	Hexagon socket head cap screw	
7	4700904229	1	Washer 8,4x16x1,5	C
11	4700394070	1	Bracket	
12	4700394351	1	Shaft	
13	4700630012	2	Cotter pin	
14	4700394068	1	Step	

Scraper module, without nozzles



Scraper module, without nozzles

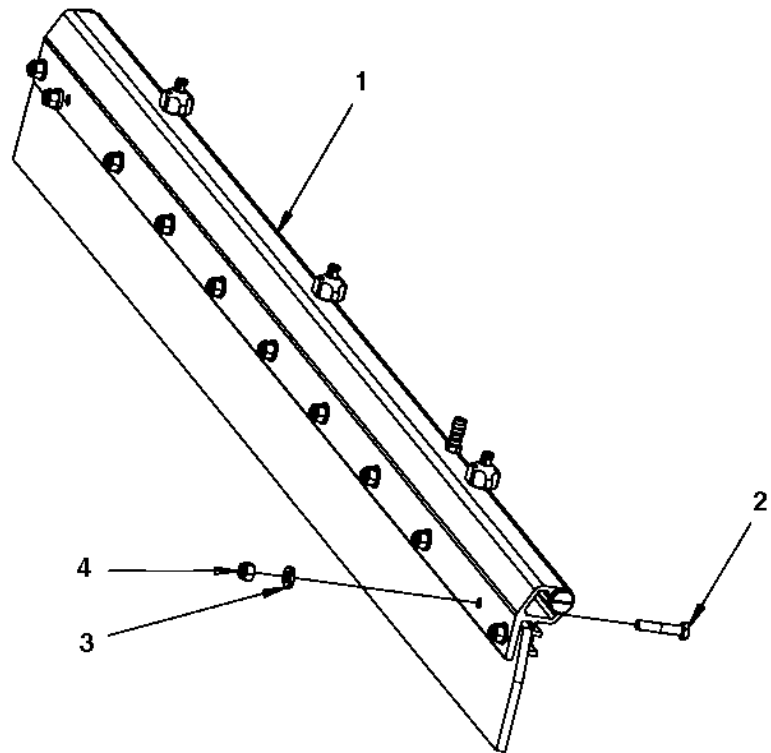
Item	Part No	Rem Qty	Description	Code
1		1	Scraper assy (Page 114)	
2	4700500032	2	Screw M10 x 55	C
3	4700904557	2	Steel plain washer	C
4	4700586018	2	Lock nut	C



Scraper assy

Item	Part No	Rem Qty	Description	Code
1	4700395111	1	Sprinkler pipe	
2	4700395112	1	Scraper blade	A
3	4700500031	9	Screw	C
4	4700904230	9	Steel plain washer	C
5	4700586018	9	Lock nut	C

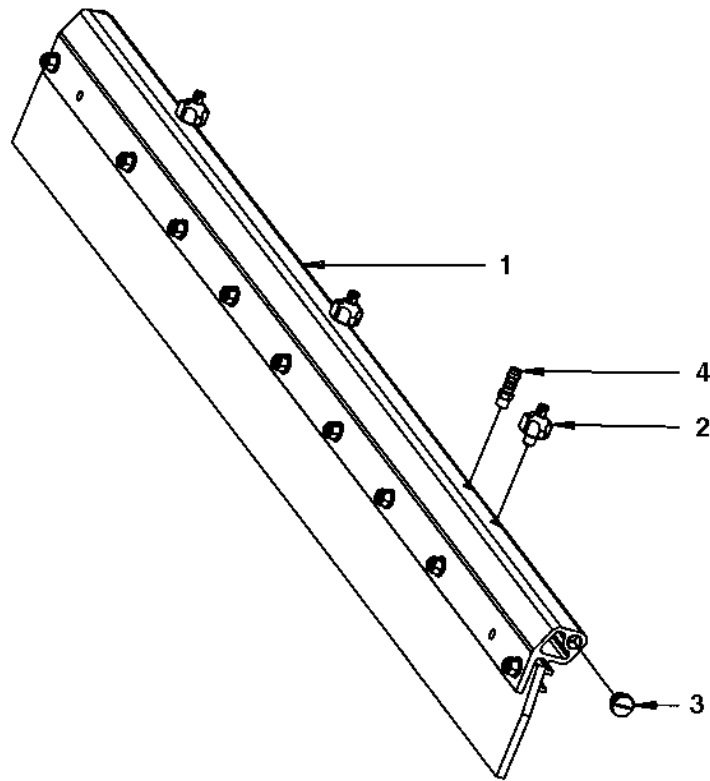
Scraper module, with nozzles



Scraper module, with nozzles

Item	Part No	Rem Qty	Description	Code
1		1	Scraper assy with nozzles (Page 118)	
2	4700500032	2	Screw M10 x 55	C
3	4700904557	2	Steel plain washer	C
4	4700586018	2	Lock nut	C

Scraper assy with nozzles

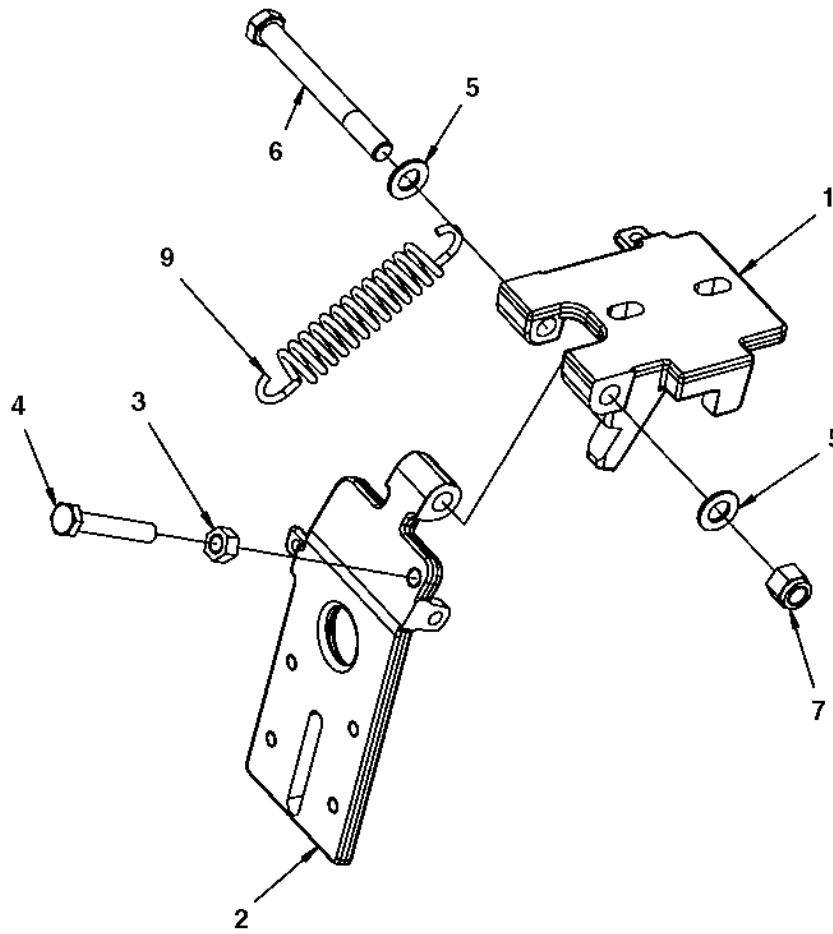


Scraper assy with nozzles

Item	Part No	Rem	Qty	Description	Code
1			1	Scraper assy (Page 114)	
2	4700392011		3	Spraying nozzle, cpl	A
	4700392509		1	. Retainer, nozzle, strainer, yellow 0.8	D
	4700393697		1	.. Nozzle and strainer, yellow 0.8	A
	4700390615	A	1	.. Nozzle and strainer, blue 1.0	A
	4700390616	A	1	.. Nozzle and strainer, red 1.2	A
	4700390619	A	1	.. Nozzle and strainer, brown 1.3	A
3	4700792072		2	End plug	
4	4700791977		1	Hose connection	C

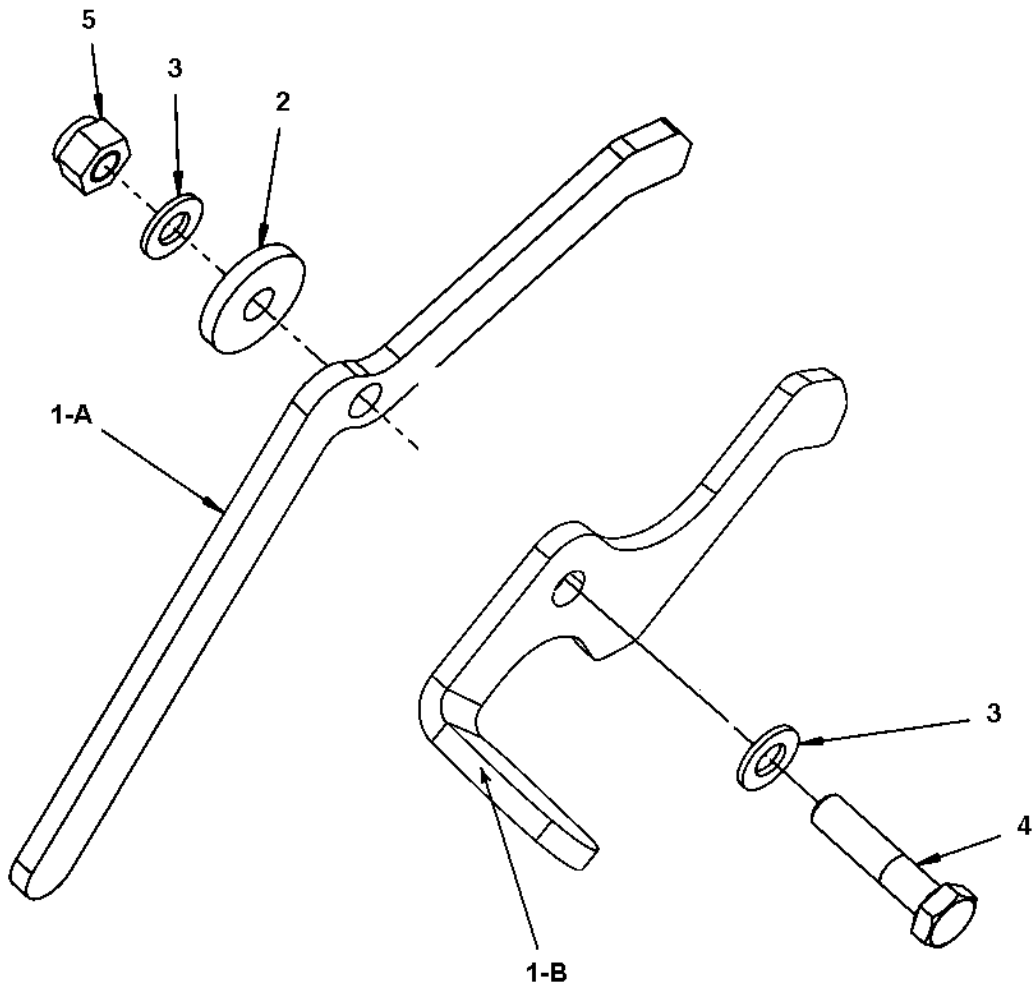
A) Option

4700394340 Scraper bracket, cpl



4700394340 Scraper bracket, cpl

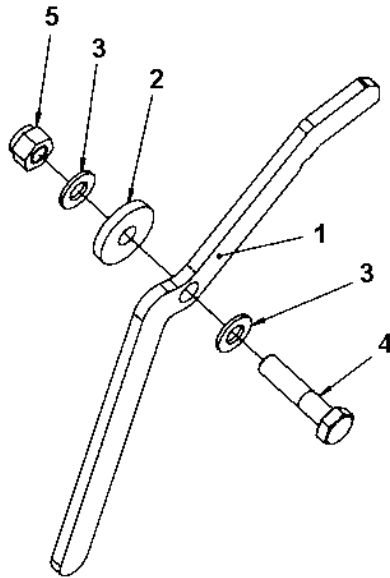
Item	Part No	Rem Qty	Description	Code
1		1	Scraper bracket	C
2		1	Scraper bracket	C
3	4700570006	1	Nut	C
4	4700500105	1	Hexagon screw	C
5	4700904231	2	Steel plain washer	C
6	4700500198	1	Screw	C
7	4700586019	1	Lock nut	C
9	4700394806	1	Extension spring	



Grab handle, release

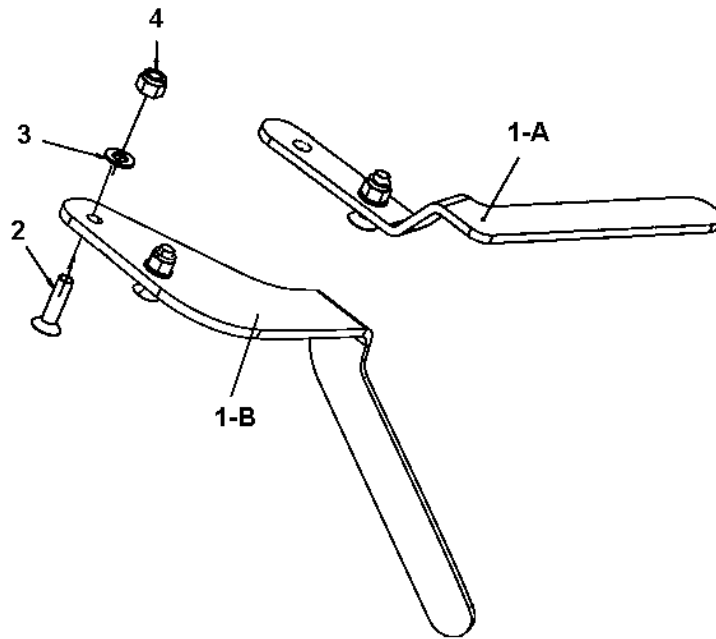
Item	Part No	Rem	Qty	Description	Code
1-A	4700393550		1	Grab handle	
1-B	4812110671	1	1	Grab handle	
2	4700904734		1	Washer 8,4x26x4	C
3	4700904229		2	Washer 8,4x16x1,5	C
4	4700500047		1	Hexagon head screw	C
5	4700586003		1	Lock nut M8	C

- 1) Can replace PN 4700393550 as spare part. This part can be mounted together with Grab handle, lift PN 4812110672.



Grab handle, release

Item	Part No	Rem Qty	Description	Code
1	4700396154	1	Grab handle	
2	4700904734	1	Washer 8,4x26x4	C
3	4700904229	2	Washer 8,4x16x1,5	C
4	4700500047	1	Hexagon head screw	C
5	4700586003	1	Lock nut M8	C

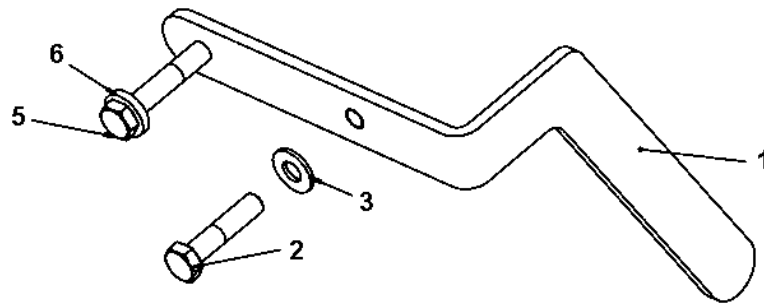


Grab handle, lift

Item	Part No	Rem	Qty	Description	Code
1-A	4700395390		1	Grab handle	
1-B	4812110672	1	1	Grab handle	
2	4700792540		2	Screw	
3	4700904229		2	Washer 8,4x16x1,5	C
4	4700586003		2	Lock nut M8	C

- 1) Can together with Grab handle, release PN 4812110671 be used as replacement for PN 4700395390.

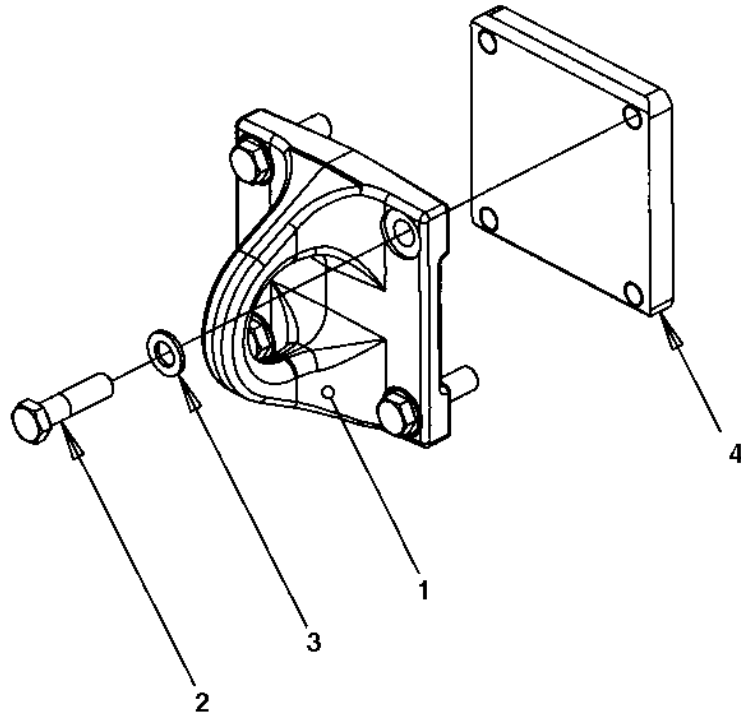
Grab handle, lift offset/cocoa mat



Grab handle, lift offset/cocoa mat

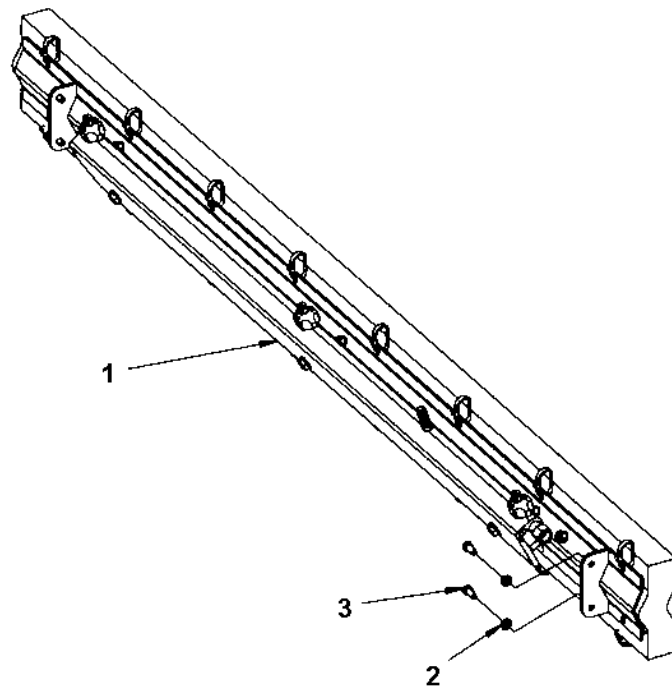
Item	Part No	Rem Qty	Description	Code
1	4700395412	1	Grab handle	
2	4700500161	1	Hexagon head screw	C
3	4700904230	1	Steel plain washer	C
5	4700500033	1	Screw M10-1,5x60 8,8	
6	4700904557	1	Steel plain washer	C

Eyelet module



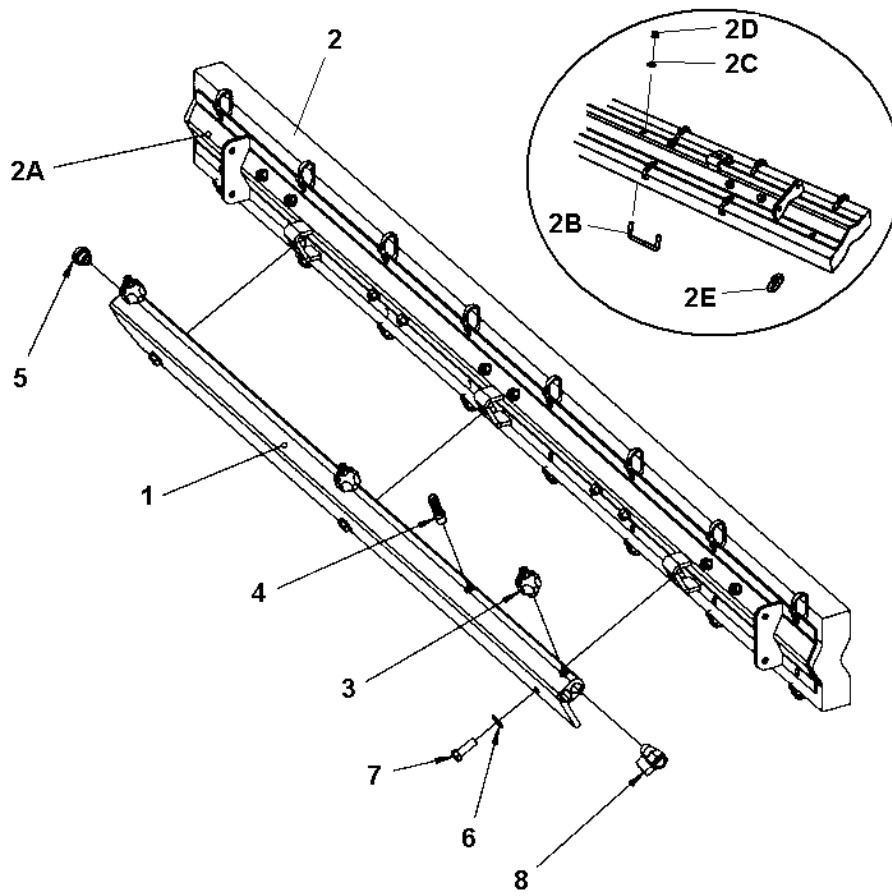
Eyelet module

Item	Part No	Rem Qty	Description	Code
1	4700390080	1	Eyelet	
2	4700500134	4	Screw M16x60	C
3	4700904232	4	Washer	C
4	4700390072	1	Holder plate	



Cocoa mat module

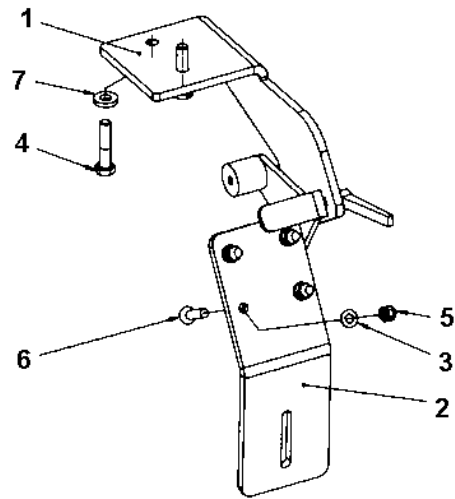
Item	Part No	Rem Qty	Description	Code
1		1	Cocoa mat assembly (Page 134)	
2	4700904229	4	Washer 8,4x16x1,5	C
3	4700500019	4	Screw M8x16H 8.8 A2K	C



Cocoa mat assembly

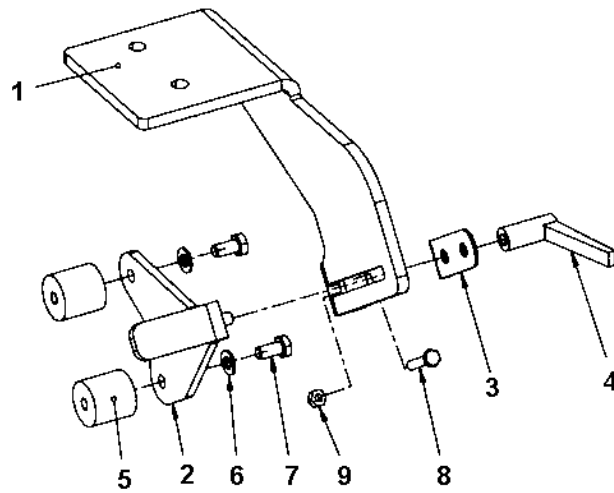
Item	Part No	Rem Qty	Description	Code
1	4700396270	1	Sprinkler pipe	
2	4700792433	1	Sprinkler mat	
2-A	4700396268	1	Holder	
2-B	4700384911	5	Clamp	
2-C	4700904229	10	Washer 8,4x16x1,5	C
2-D	4700586003	10	Lock nut M8	C
2-E	4700313102	N	Cable ties	D
3	4700392011	3	Spraying nozzle, cpl	A
4	4700791977	1	Hose connection	C
5	4700792072	1	End plug	
6	4700904557	3	Steel plain washer	C
7	4700500029	3	Hexagon head screw	C
8	4700233215	1	Ball valve	C

Cocoa mat bracket module



Cocoa mat bracket module

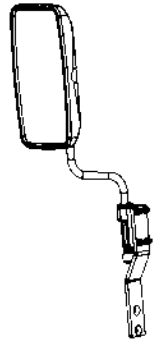
Item	Part No	Rem Qty	Description	Code
1		1	Cocoa mat bracket	
			(Page 138)	
2	4700396936	1	Bracket	
3	4700904229	4	Washer 8,4x16x1,5	C
4	4700500161	2	Hexagon head screw	C
5	4700586003	4	Lock nut M8	C
6	4700927637	4	Hexagon socket countersunk screw	
7	4700904557	2	Steel plain washer	C



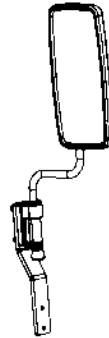
Cocoa mat bracket

Item	Part No	Rem Qty	Description	Code
1	4700396183	1	Bracket	
2	4700396893	1	Bracket	
3	4700396754	1	Cover plate	
4	4700396975	1	Lock handle	
5	4700396976	2	Shock absorber	
6	4700904229	2	Washer 8,4x16x1,5	C
7	4700500019	2	Screw M8x16H 8.8 A2K	C
8	4700900485	1	Hexagon head screw	D
9	4700570004	1	Nut M6X1,00 -8 A2K	C

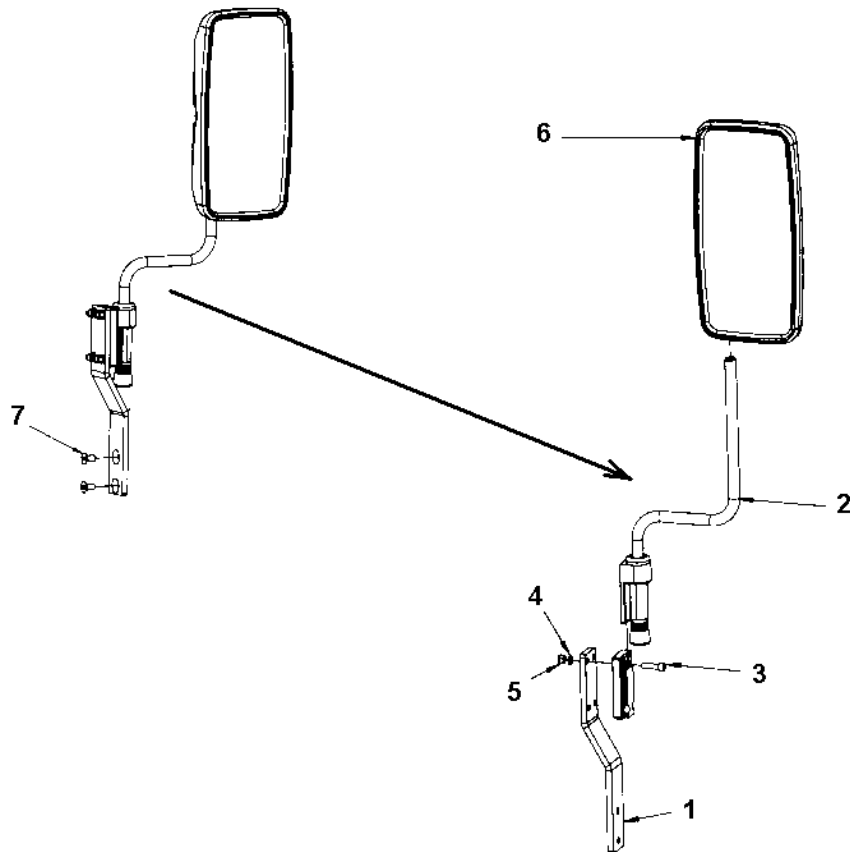
Process mirrors



FRONT LEFT

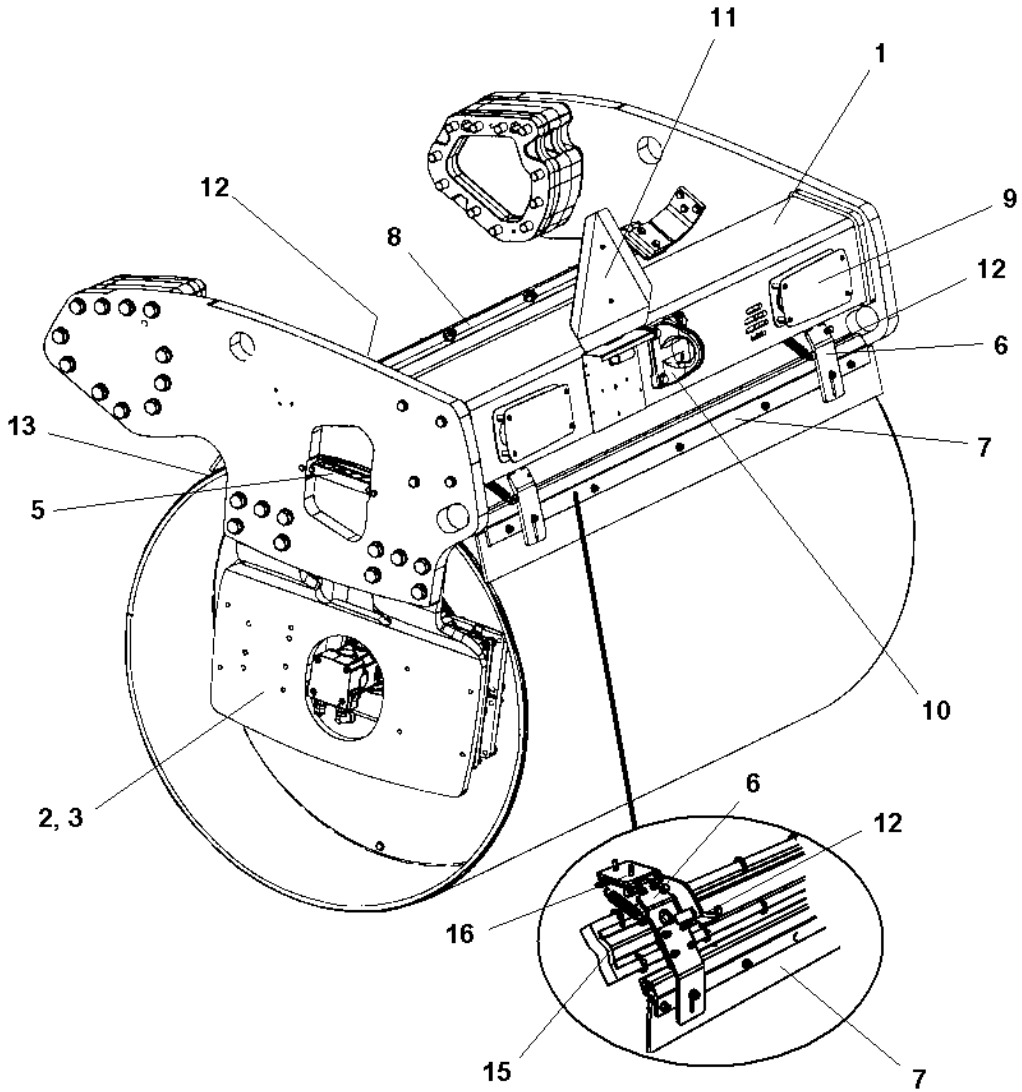


FRONT RIGHT



Process mirrors

Item	Part No	Rem Qty	Description	Code
		2	Mirror assy	C
1	4812110334	1	. Bracket	
2	4700381944	1	. Bracket	
3	4700508048	4	. Screw	C
4	4700904229	4	. Washer 8,4x16x1,5	C
5	4700586003	4	. Lock nut M8	C
6	4700381943	1	. Mirror	
7	4811000096	2	Hexagon socket countersunk screw	

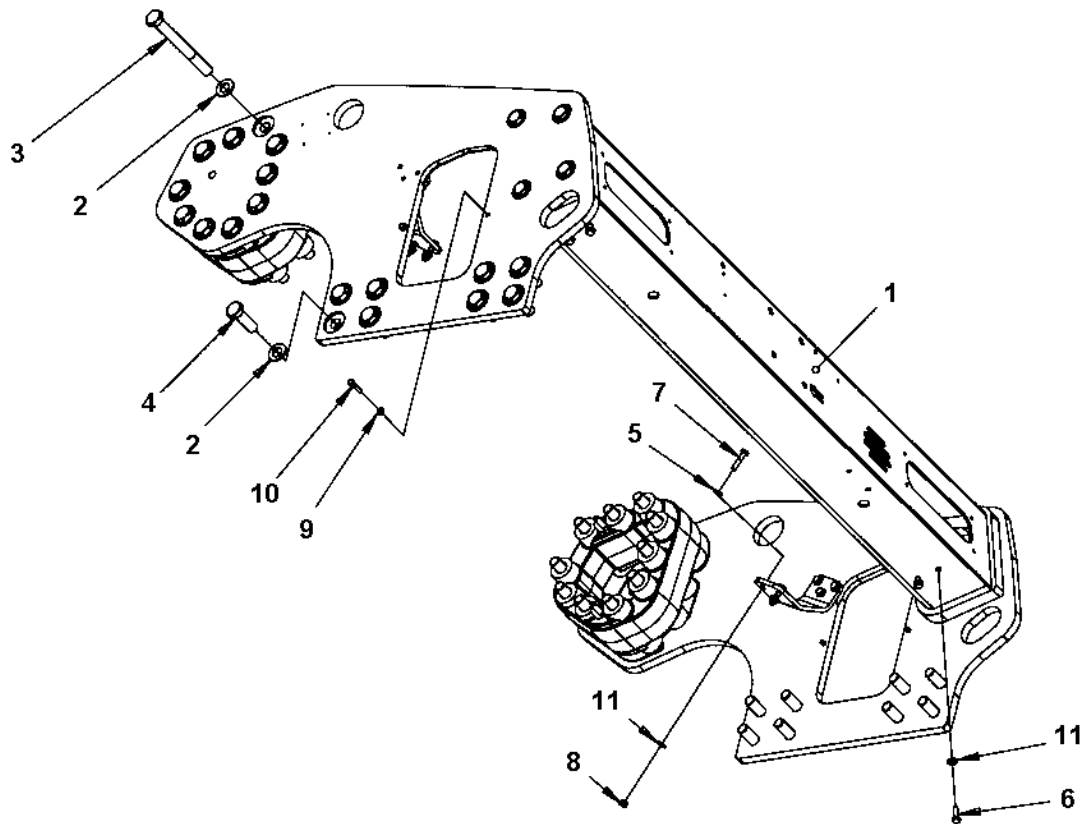


End frame, rear

Item	Part No	Rem	Qty	Description	Code
1			1	End frame, rear (Page 144)	
			1	End frame, rear offset (Page 146)	
2			1	Fork, vibration side (Page 100)	
3			1	Fork, propulsion side (Page 102)	
4			1	Step, vibration side (Page 110)	
5			1	Hose clamp, propulsion side (Page 106)	
			1	Hose clamp, vibration side (Page 108)	
6	4700394340		2	Scraper bracket, cpl (Page 120)	
7			1	Scraper module, without nozzles (Page 112)	
8			1	Scraper module, with nozzles (Page 116)	
9			2	Cover plate (Page 104)	
10			1	Eyelet module (Page 130)	
11			1	SMV-sign (Page 154)	
12		1	2	Grab handle, release (Page 122)	
		2	1	Grab handle, release (Page 124)	
13			1	Grab handle, lift (Page 126)	
			1	Grab handle, lift offset/cocoa mat (Page 128)	
15			1	Cocoa mat module (Page 132)	
16			2	Cocoa mat bracket module (Page 136)	

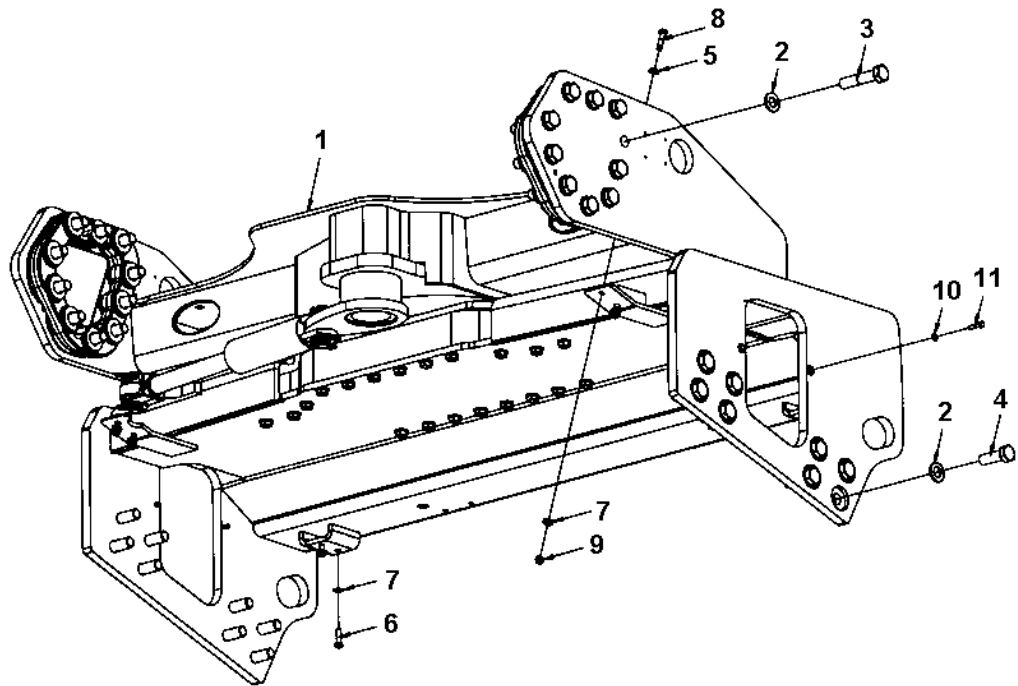
1) Qty 1 when cocoa mat mounted.

2) For cocoa mat.



End frame, rear

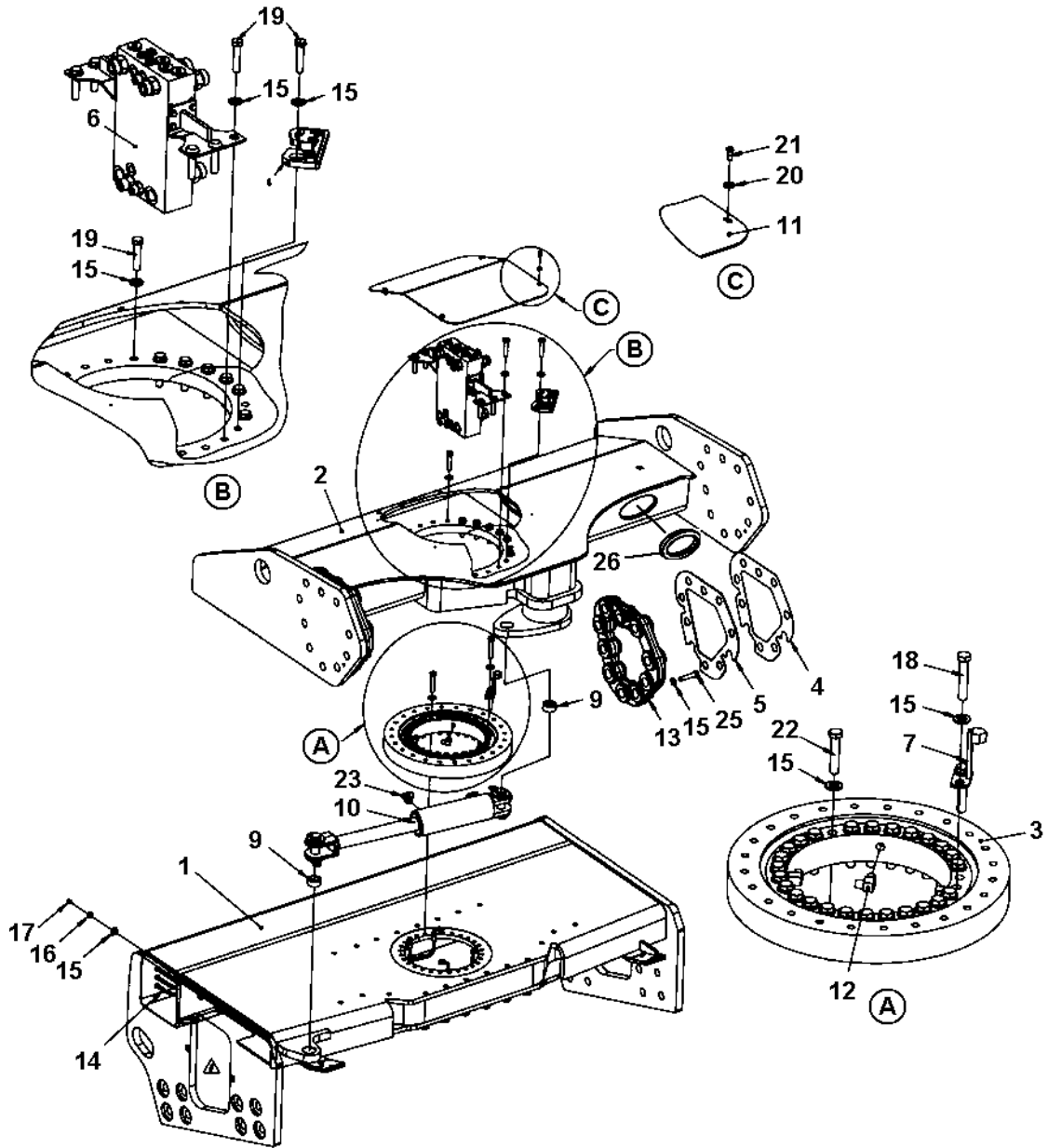
Item	Part No	Rem Qty	Description	Code
1		1	Frame assy (Page 98)	
2	4700904234	36	Steel plain washer	C
3	4700792546	20	Hexagon head screw M24x220	C
4	4700500289	16	Screw M24x70H	C
5	4700904230	4	Steel plain washer	C
6	4700500030	4	Hexagon head screw	C
7	4700500161	4	Hexagon head screw	C
8	4700791172	4	Hexagon lock nut	C
9	4700904556	4	Washer 8,4x16x3,0	C
10	4700500047	4	Hexagon head screw	C
11	4700904557	8	Steel plain washer	C



End frame, rear offset

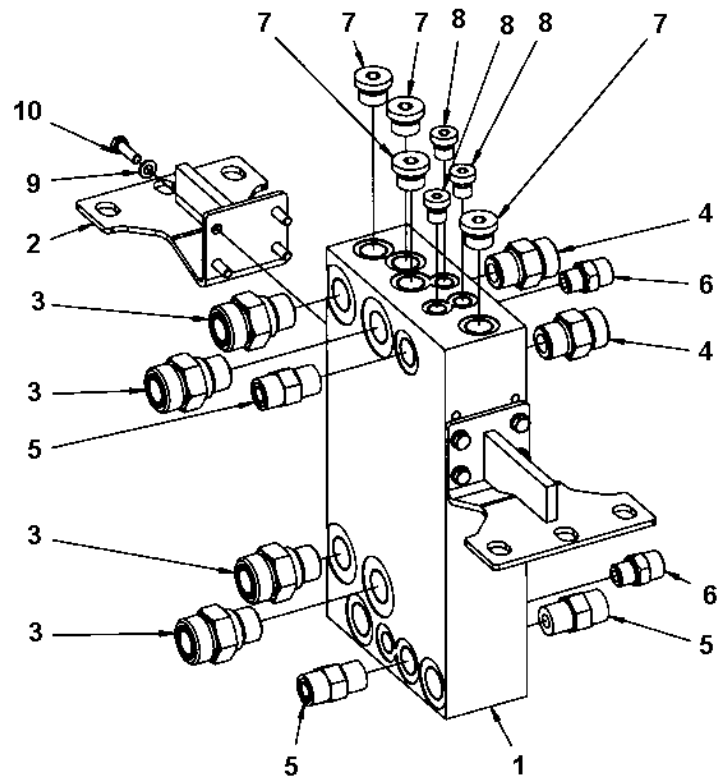
Item	Part No	Rem Qty	Description	Code
1		1	Frame (Page 148)	
2	4700904234	36	Steel plain washer	C
3	4700500146	20	Screw M24x110 8,8	
4	4700500289	16	Screw M24x70H	C
5	4700904230	4	Steel plain washer	C
6	4700500030	4	Hexagon head screw	C
7	4700904557	8	Steel plain washer	C
8	4700500161	4	Hexagon head screw	C
9	4700791172	4	Hexagon lock nut	C
10	4700904556	4	Washer 8,4x16x3,0	C
11	4700500047	4	Hexagon head screw	C

Frame



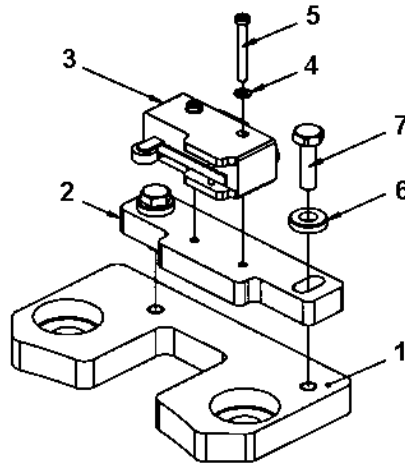
Frame

Item	Part No	Rem Qty	Description	Code
1	4700393141	1	Yoke	
2	4700393132	1	Frame	
3	4700359192	1	Bearing	B
4	4700392916	0	Shim	
5	4700392917	0	Shim	
6		1	Connection block (Page 150)	
7	4700395694	1	Cam	
8		1	Micro switch (Page 152)	
9	4700379630	2	Radial spherical plain bearing	
10	4700392531	1	Hydraulic cylinder	
	4700945916	1	. Seal kit	
	4700392103	2	. Shaft	C
11	4700379987	1	Cover	
12	4700373183	4	Elbow 90	D
13	4700392843	2	Spacer	
14	4700393360	4	Hydraulic hose	
15	4700904231	60	Steel plain washer	C
16	4700903831	4	Nut	C
17	4700926214	4	Grease fitting	C
18	4700947712	2	Screw	C
19	4700925519	24	Screw M12x55 10.9 GEOMET	C
20	4700603001	4	Washer	C
21	4700904206	4	Screw	C
22	4700500175	26	Screw	C
23	4700791398	2	Elbow 90, O-ring	
25	4700500049	4	Screw	C
26	4700395653	2	Hose guard	



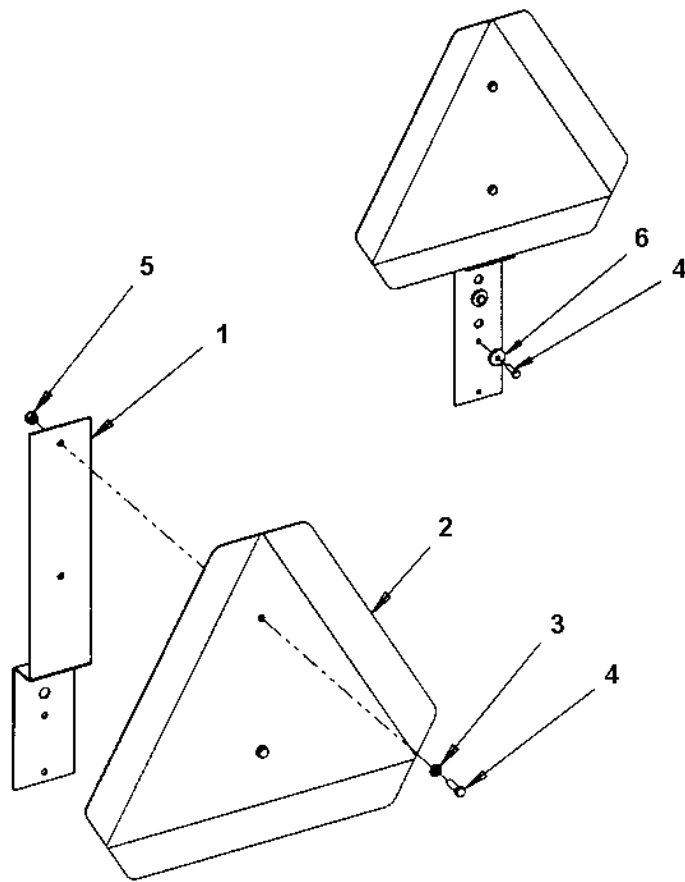
Connection block

Item	Part No	Rem Qty	Description	Code
1	4700390463	1	Connection block	
2	4700391889	2	Bracket	
3	4700791539	4	Straight connector	
4	4700791743	2	Straight connector orfs	
5	4700791799	3	Straight connector orfs	
6	4700791409	2	Straight connector orfs	C
7	4700792295	4	Steel plug	
8	4700904951	3	Plug	
9	4700904228	8	Washer 6,4x12x1,5	C
10	4700500040	8	Screw M6-1x20 8,8	C
13	4700791914	2	Straight connector orfs	



Micro switch

Item	Part No	Rem Qty	Description	Code
1	4700396179	1	Bracket	
2	4700395696	1	Holder plate	
3	4700930046	1	Micro switch	B
4	4700904697	2	Washer 3,2x6x0,5	C
5	4700533050	2	Screw	C
6	4700603001	2	Washer	C
7	4700500040	2	Screw M6-1x20 8,8	C



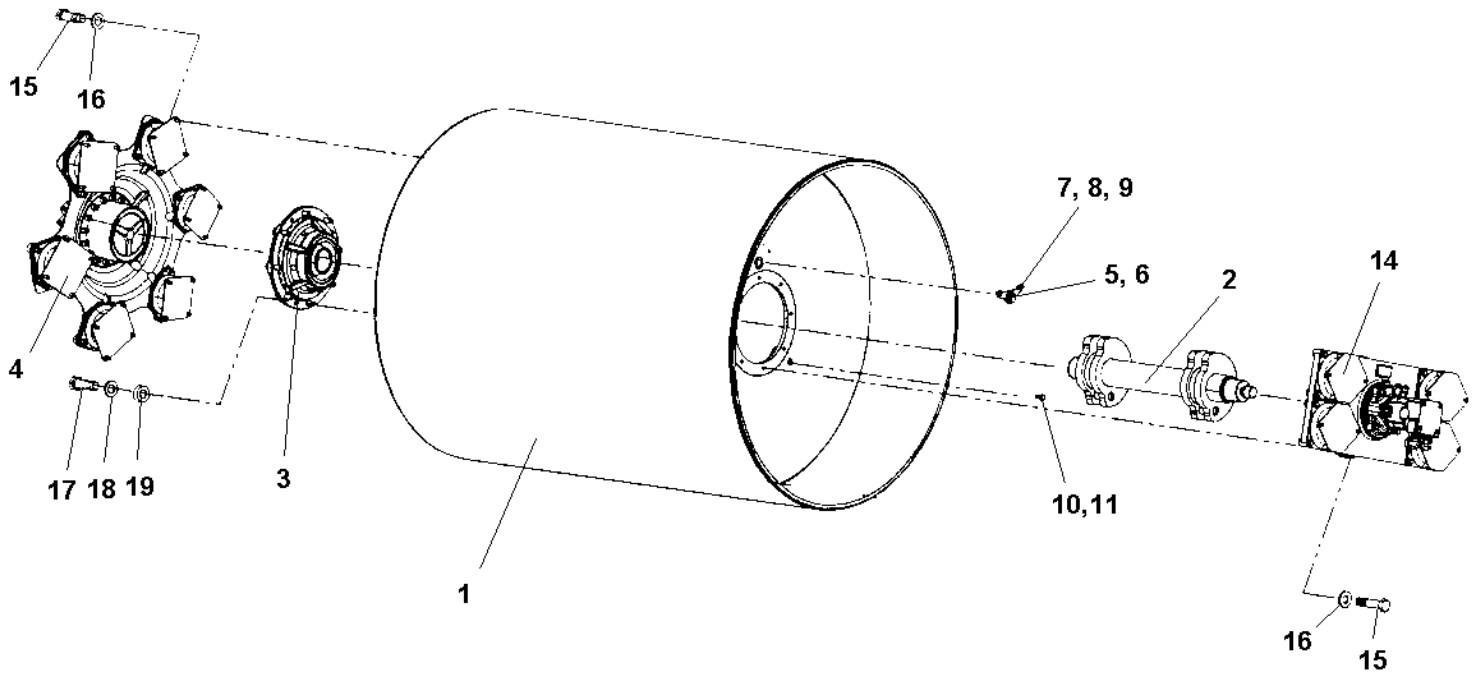
SMV-sign

Item	Part No	Rem Qty	Description	Code
1	4700392291	1	Holder	
2	4700476019	1	SMV-sign	D
3	4700904228	2	Washer 6,4x12x1,5	C
4	4700500040	4	Screw M6-1x20 8,8	C
5	4700586002	2	Lock nut M6 -8	C
6	4700904735	2	Washer	C

Drum

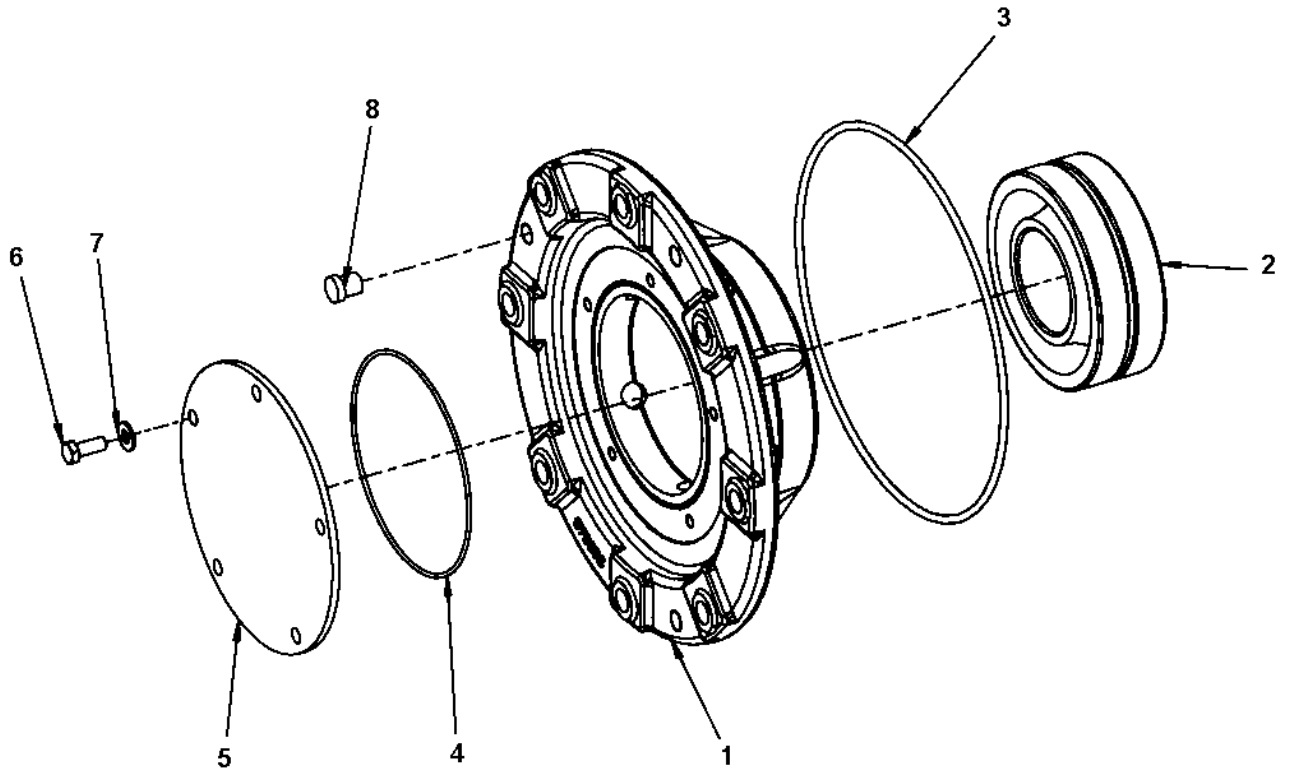
Item	Part No	Rem Qty	Description	Code
1		2	Drum (Page 158)	

Drum



Drum

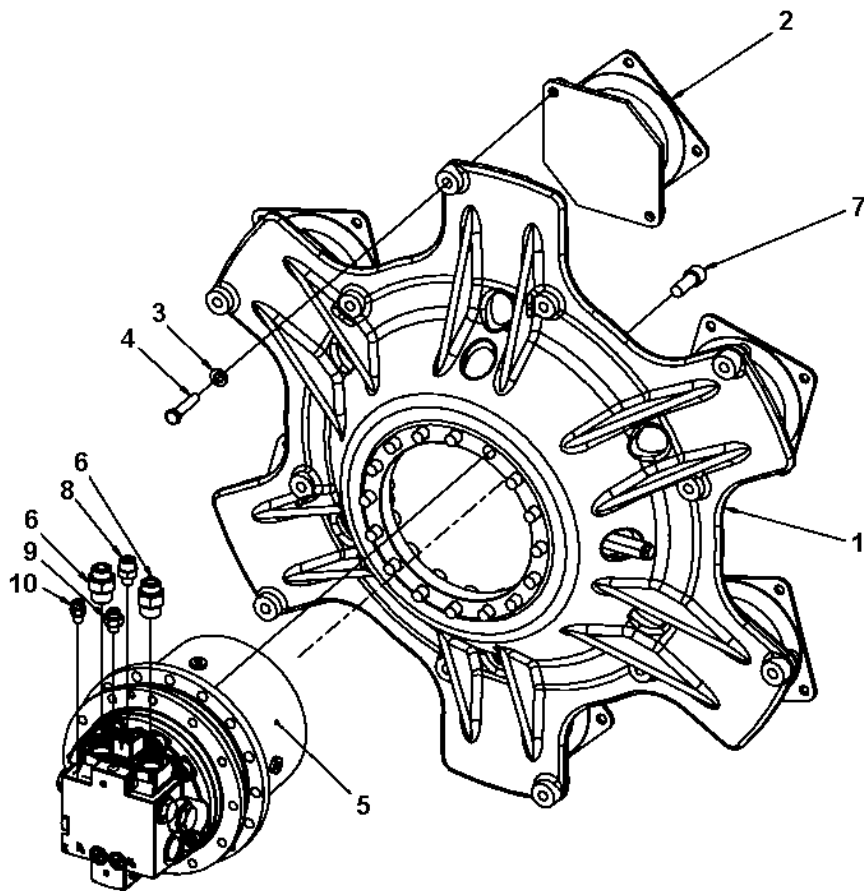
Item	Part No	Rem Qty	Description	Code
1	4700392365	1	Drum	
2	4700392371	1	Eccentric shaft	
	4700392440	1	Eccentric shaft CE	
3		1	Drum bearing (Page 160)	
4		1	Drive unit (Page 162)	
5	4700343744	1	Magnetic plug	C
6	4700162017	1	Seal ring	B
7	4700359955	1	Drop plate	D
8	4700904229	2	Washer 8,4x16x1,5	C
9	4700500019	2	Screw M8x16H 8.8 A2K	C
10	4700344196	1	Plug M12	D
11	4700162027	1	Sealing	B
14		1	Vibrating unit (Page 166)	
15	4700500070	16	Screw M16x50	C
16	4700904232	16	Washer	C
17	4812110444	24	Hexagon head screw w Tuflok M12x40H 8.8 A3K	C
18	4700904231	24	Steel plain washer	C
19	4812110346	24	Spacer	C



Drum bearing

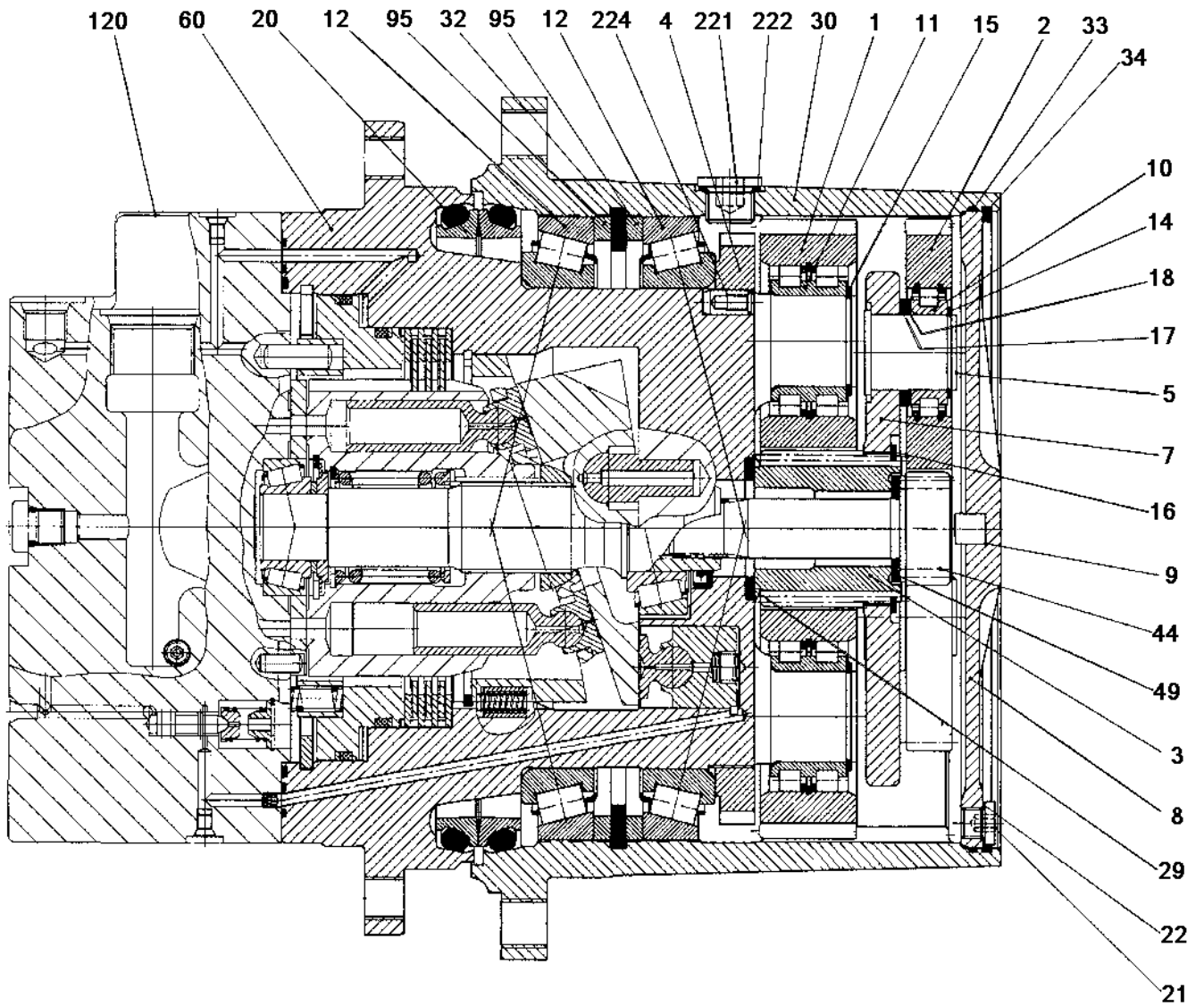
Item	Part No	Rem Qty	Description	Code
1	4700391280	1	Bearing housing	D
2	4700114060	1	Spherical roller bearing	B
3	4700160344	1	O-ring 70	C
4	4700160045	1	O-ring 70	C
5	4700391029	1	Cover	D
6	4700500028	5	Screw	C
7	4700904230	5	Steel plain washer	C
8	4700900775	3	Plug	C

Drive unit



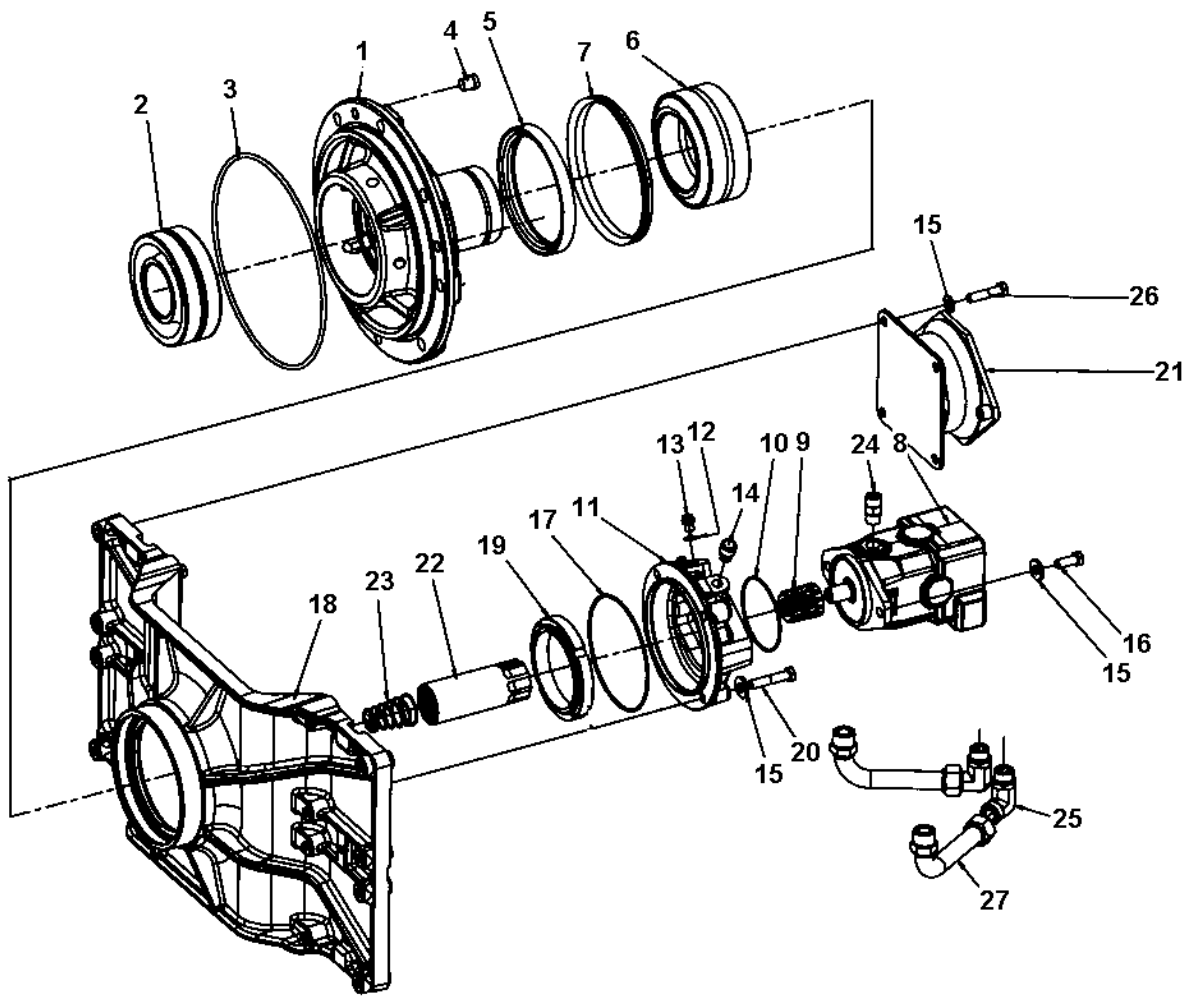
Drive unit

Item	Part No	Rem Qty	Description	Code
1	4700391286	1	Drive disc	C
2	4700394250	6	Shock absorber	A
3	4700904231	12	Steel plain washer	C
4	4812110641	12	Hexagon screw w Tuflok M12x55 10.9 GEOMET	C
5	4700392453	1	Drum gear (Page 164)	
6	4700792670	2	Straight connector orfs	
7	4700508090	16	Hexagon socket head cap screw	
8	4700792671	1	Straight connector orfs	D
9	4700792673	1	Straight connector orfs	
10	4700792672	1	Straight connector orfs	



4700392453 Drum gear

Item	Part No	Rem Qty	Description	Code
	4700392453	1	Drum gear (Page 164)	
1		4	. Planet gear	
2		3	. Planet gear	
3		1	. Sun gear	
4		1	. Shaft nut	
5		3	. Planet bolt	
7		7	. Planet carrier	
8		8	. Cover	
9		1	. Cylindrical roller	
10	4700950498	3	. Cylinder roller bearing	B
11	4700950483	4	. Cylinder roller bearing	B
12	4700950500	2	. Tapered roller bearing	C
14		3	. Snap ring	C
15		4	. Snap ring	C
16		1	. Snap ring	C
17		3	. Support disc	C
18		3	. Shim	C
20	4700950501	1	. Seal	B
21	4700950502	2	. Plug	C
22	4700950503	2	. Seal ring	B
29		1	. Washer	B
30		1	. Ring gear	B
32		1	. Snap ring	B
33	4700950353	1	. O-ring	C
34		1	. Snap ring	C
44		1	. Sun gear shaft	C
49		1	. Thrust washer	C
60		1	. Spindle	C
95		2	. Spacer ring	C
120		1	. Hydraulic motor	C
221	4700212210	2	. Screw	C
222	4700950513	2	. Seal ring	B
224		2	. Cylindrical dowel pin	B
	4812156059	1	Seal kit, end cover	
_21	4700950502	2	_Plug	C
_22	4700950503	2	_Seal ring	B
_33	4700950353	1	_O-ring	C
_34		1	_Snap ring	

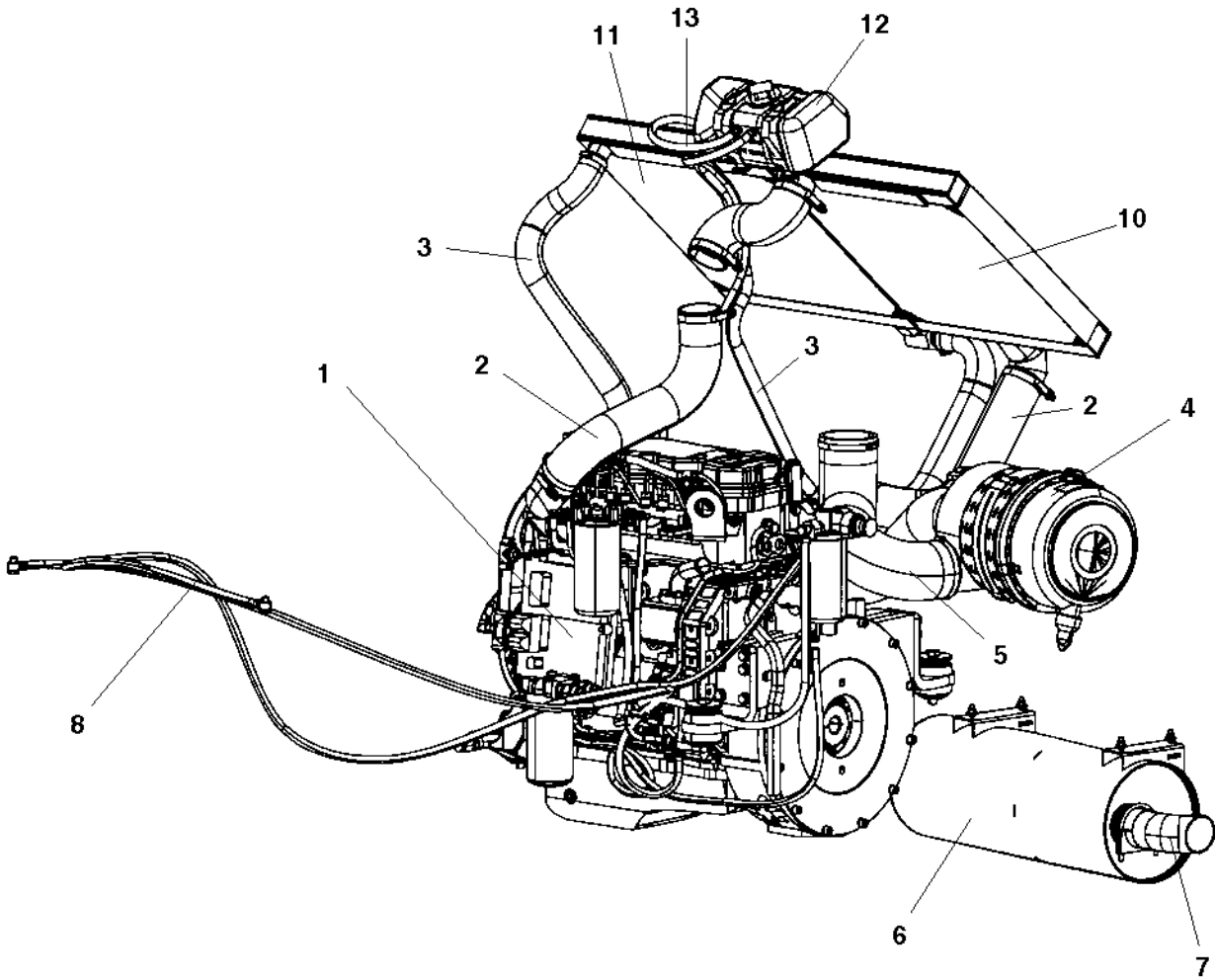


Vibrating unit

Item	Part No	Rem Qty	Description	Code
1	4700391277	1	Bearing housing	D
2	4700114060	1	Spherical roller bearing	B
3	4700160344	1	O-ring 70	C
4	4700900775	3	Plug	C
5	4700386272	1	Sealing	B
6	4700116041	1	Taper roller bearing	B
7	4700929447	1	V-ring	B
8	4700390605	1	Hydraulic motor	C
9	4700340862	1	Splined sleeve	D
10	4700160279	1	O-ring 101,27x2,62	C
11	4700390160	1	Motor adapter	C
12	4700162027	1	Sealing	B
13	4700903726	1	Steel plug threaded	C
14	4700926736	1	Breather	C
15	4700904231	20	Steel plain washer	C
16	4700500046	2	Screw M12x025H	C
17	4700160105	1	O-ring 70	C
18	4700392364	1	Holder plate	
19	4700390897	1	Shaft nut	C
20	4700500049	4	Screw	C
21	4700394251	4	Shock absorber	A
22	4700381027	1	Splined sleeve	C
23	4700349715	1	Spring	D
24	4700791799	1	Straight connector orfs	
25	4700792330	2	Elbow 90 orfs	
26	4812110643	16	Hexagon screw w Tuflok M12x50 8.8 A3K	C
27	4700392748	2	Connector	

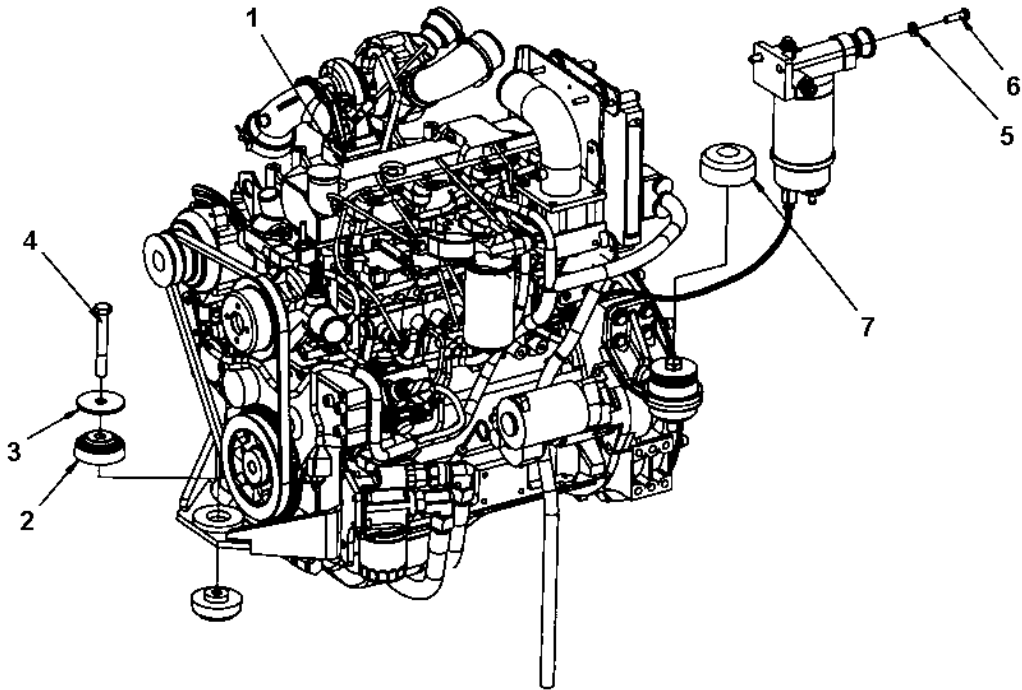
Engine

Item	Part No	Rem Qty	Description	Code
1			Engine room (Page 170)	



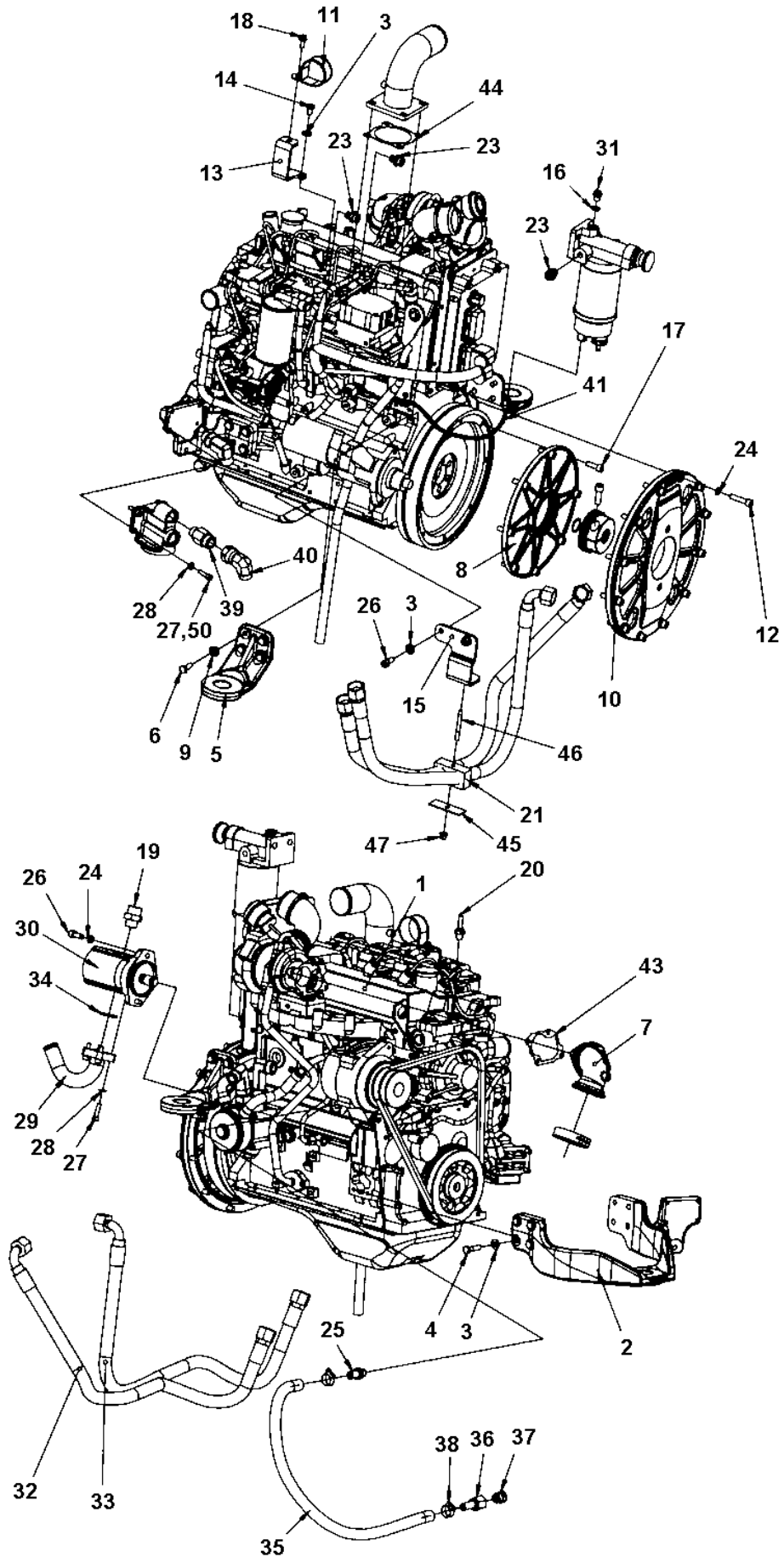
Engine room

Item	Part No	Rem Qty	Description	Code
1			Engine (Page 172)	
2			Air cooler hoses (Page 178)	
3			Water cooler hoses (Page 180)	
4			Air cleaner module (Page 182)	
5			Air cleaner hose module (Page 184)	
6			Muffler (Page 186)	
7			Exhaust pipe module (Page 188)	
8			Fuel hose module (Page 190)	
10			Charge air cooler (Page 192)	
11			Water cooler (Page 194)	
12			Expansion tank assembly (Page 196)	
13			Coolant hoses (Page 198)	



Engine

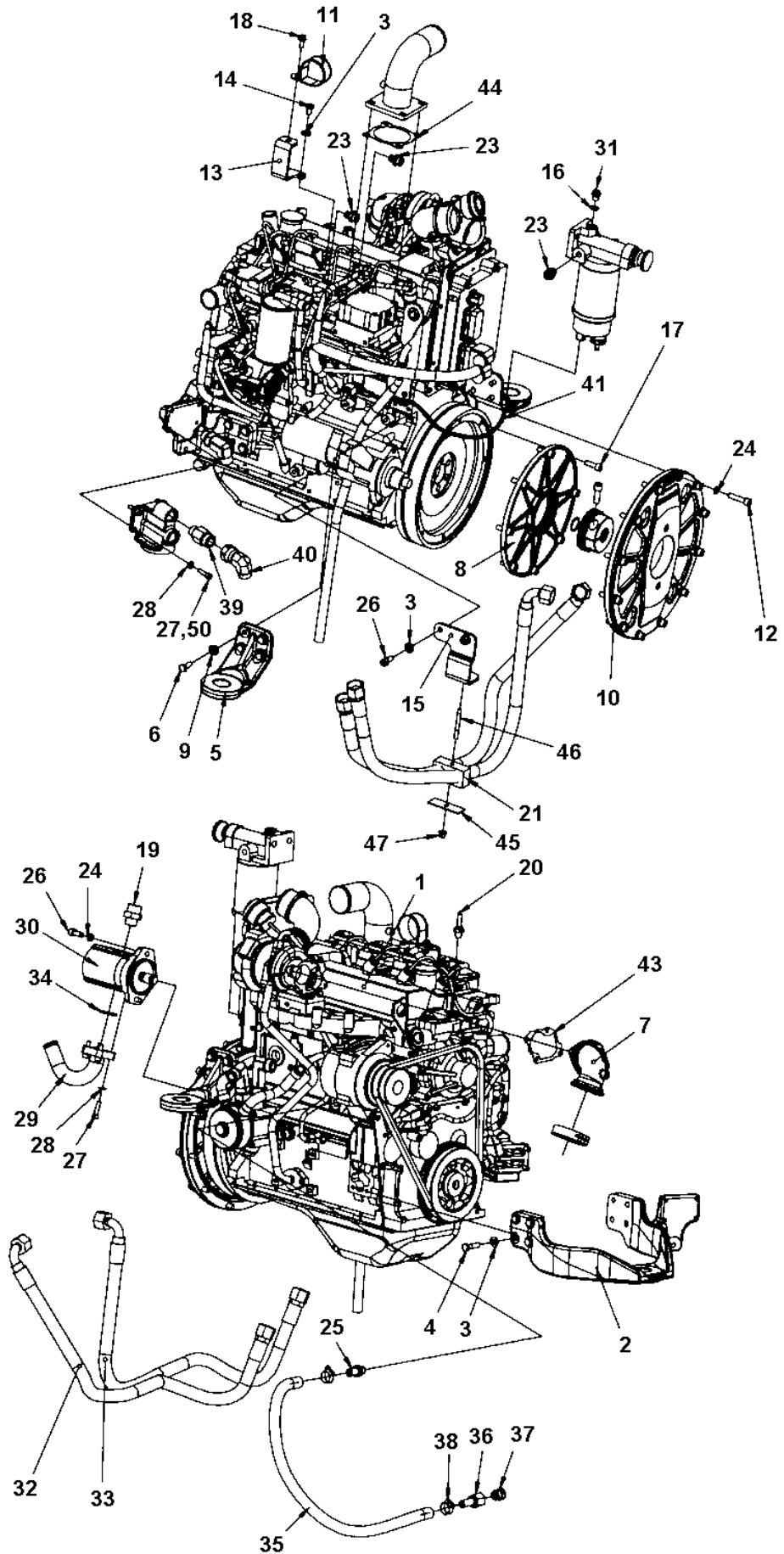
Item	Part No	Rem Qty	Description	Code
1		1	Engine module (Page 174)	
2	4700393794	6	Shock absorber	
3	4700345666	3	Steel spacer	D
4	4700500199	3	Screw M16-2x110 8,8	C
5	4700904557	2	Steel plain washer	C
6	4700500030	2	Hexagon head screw	C
7	4700397539	1	Protector	



Engine module

Item	Part No	Rem	Qty	Description	Code
1	4700392390		1	Diesel engine Cummins QSB3.3 T3 - 60 kW	
	4700392391		1	Diesel engine Cummins QSB3.3 T3 - 74 kW	
	4700950636		1	. Starter	
	4700950640		1	. Alternator	
	4700939068		1	. Oil filter element	A
	4812155851		1	. Pre-fuel filter, cpl	
	4700950301		1	. . Pre-fuel filter element	A
	4700950302		1	. Fuel filter element	A
	4700950315		1	. V-belt	B
	4700939070		1	. Gasket, valve cover	B
	4700950637		1	. Sensor, Water temp	
	4700950638		1	. Oil pressure switch	
2	4700392501	B	1	Engine bracket	
	4700397257	C	1	Engine bracket	
3	4700904230		11	Steel plain washer	C
4	4700500212		9	Screw	
5	4700392504		2	Engine bracket	
6	4700947683		8	Screw	
7	4700391962		1	Exhaust pipe	
8	4700394818		1	Coupling	
9	4700904557		8	Steel plain washer	C
10	4700395135		1	Pump bracket	
11	4700904352		1	Clamp	
12	4700508030		12	Screw	
13	4812110535		1	Bracket	
14	4700500043		1	Screw M10x16H 8,8	C
15	4812110873		1	Bracket	
16	4700747282		1	Copper washer	
17	4700508029		8	Screw M10-1,5x30H 8,8	C
18	4700500505		1	Screw M8x20 8.8	
19	4700904728		1	Adapter	
20	4700792544		1	Connector	
21	4700791711		1	Pipe clamp	
23	4700792604		4	Quick connect coupling	
24	4700904637		14	Washer	C
25	4700379607		1	Hose connection	
26	4700508096		2	Screw	C
27	4700508048		8	Screw	C
28	4700904229		8	Washer 8,4x16x1,5	C
29	4700392532		1	Suction pipe	
30	4700392528		1	Hydraulic pump	
31	4700903190		1	Steel plug	
32	4812110991		1	Hydraulic hose	
33	4812110992		1	Hydraulic hose	
34	4700813429		1	O-ring	C
35	4700205112	A	1XL	Coolant hose	D
36	4700792502		1	Hose connection	
37	4700232231		1	Plug	
38	4700313004		2	Hose clamp	D
39	4700395944		1	Connector	
40	4700904584		1	Elbow connector 90	C
41	4700396885		1	Cable harness	
43	4700395108		1	Gasket	
44	4812110232		1	Gasket	
45	4700791712		1	Cover plate	

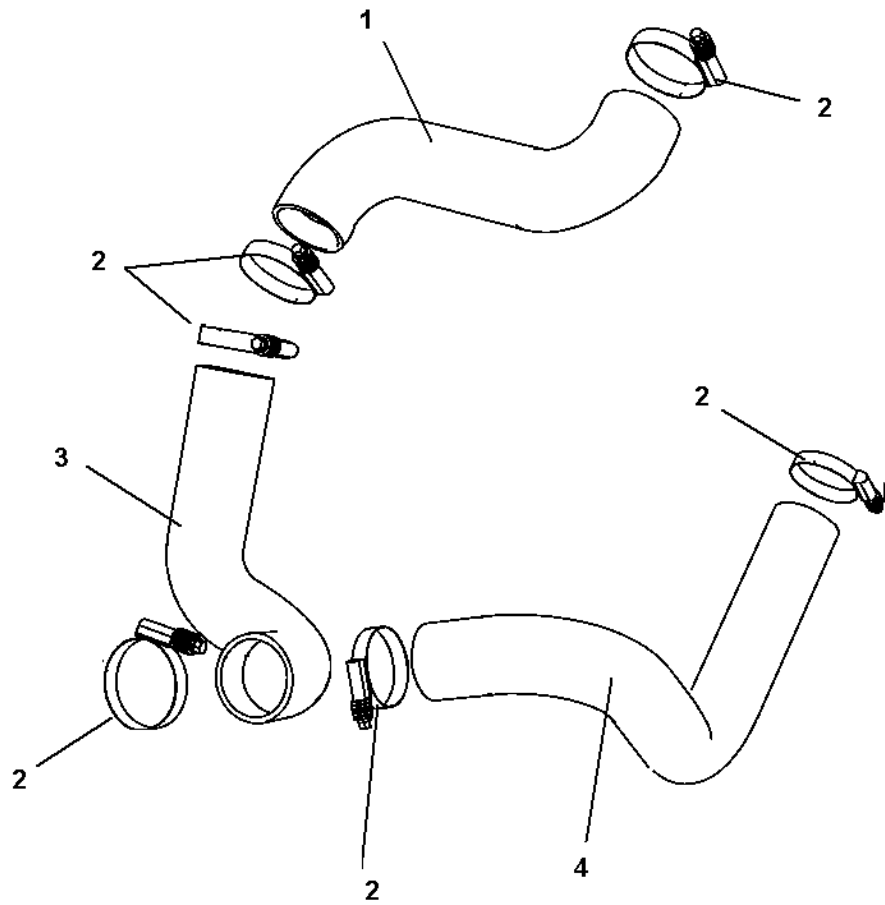
- A) L= 0.710 m
- B) Welded
- C) Casted



Engine module

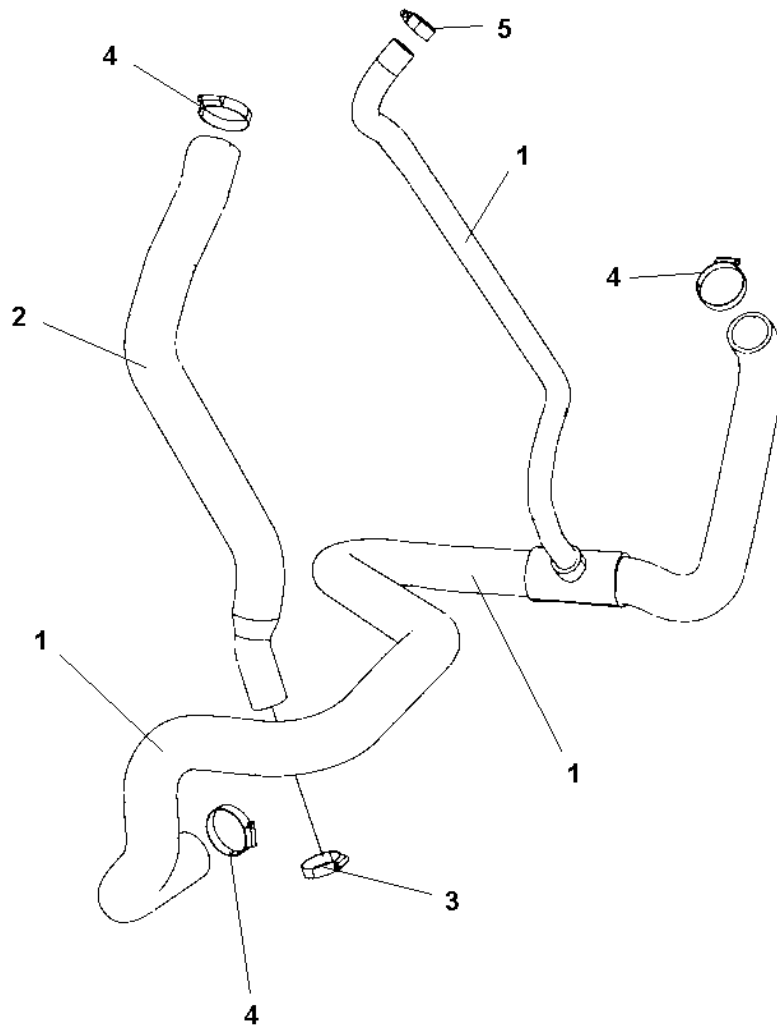
Item	Part No	Rem	Qty	Description	Code
46	4700791805		1	Cover plate	
47	4700902286		1	Hexagon lock nut with flange	C
50	4700508092	D	4	Screw	C

D) Used when item 2 is a welded engine bracket.



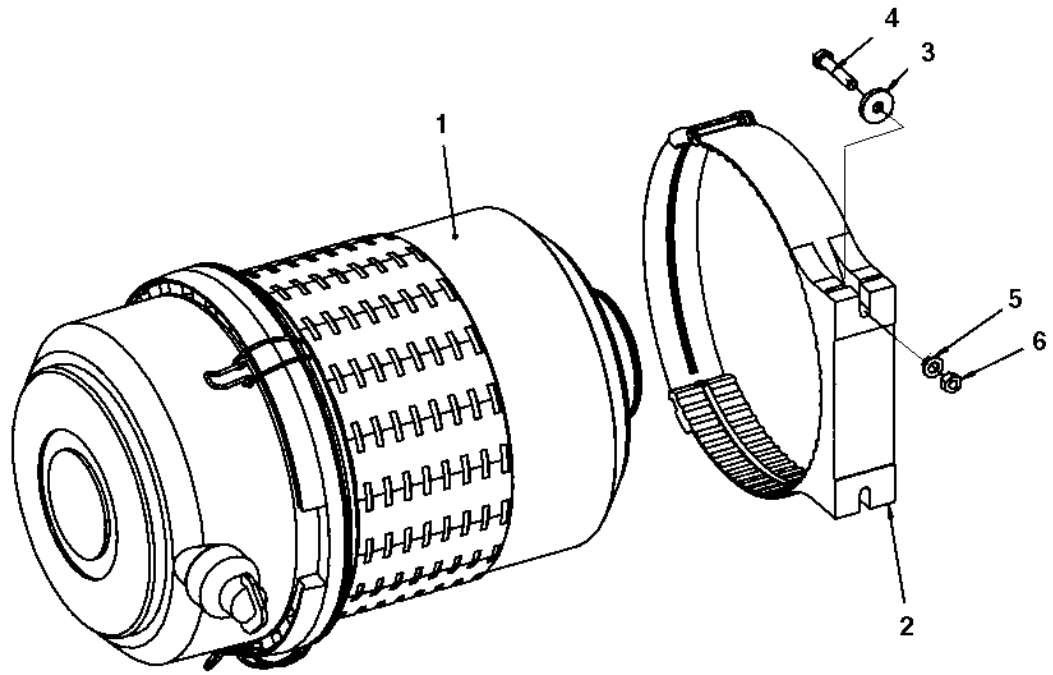
Air cooler hoses

Item	Part No	Rem Qty	Description	Code
1	4700391918	1	Charge air hose	
2	4700386966	6	Hose clamp 2.3/4"-3.5/8"	
3	4700397134	1	Charge air hose	
4	4700395126	1	Charge air hose	



Water cooler hoses

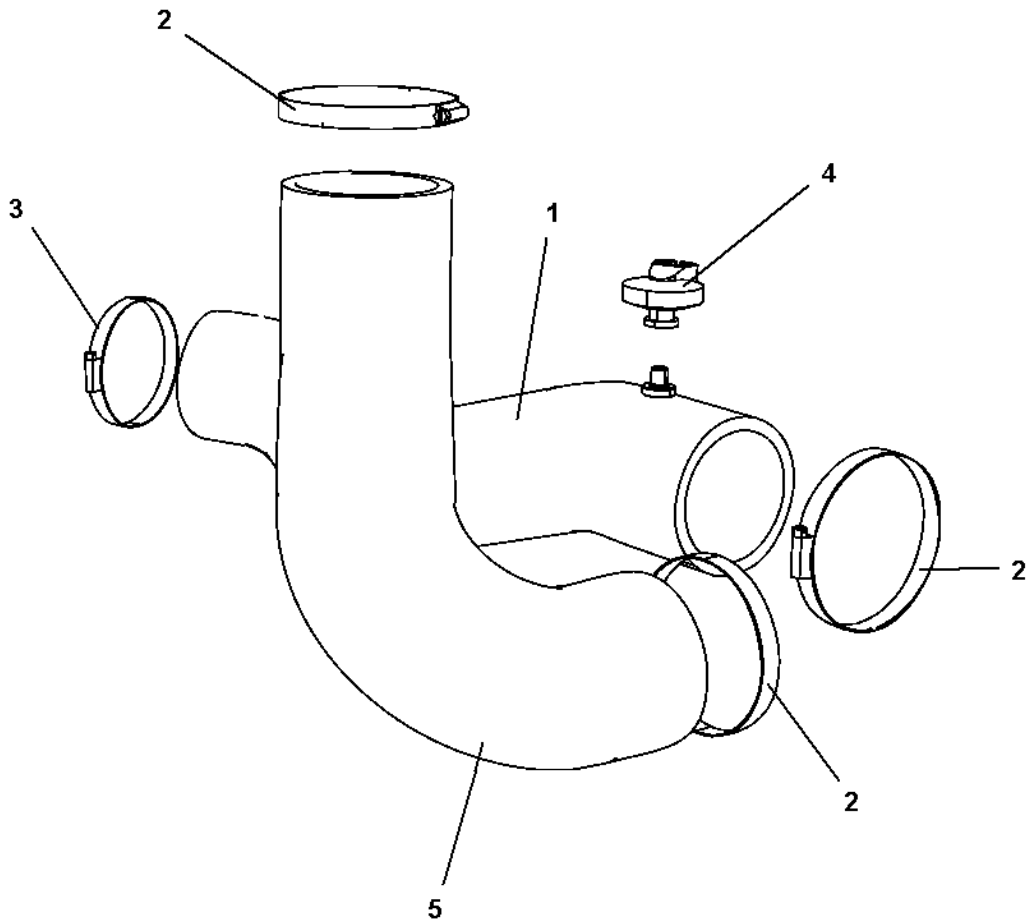
Item	Part No	Rem Qty	Description	Code
1	4812110499	1	Coolant hose	
2	4700395423	1	Coolant hose	
3	4700313008	1	Hose clamp	D
4	4700313010	3	Hose clamp	D
5	4700313004	1	Hose clamp	D



Air cleaner module

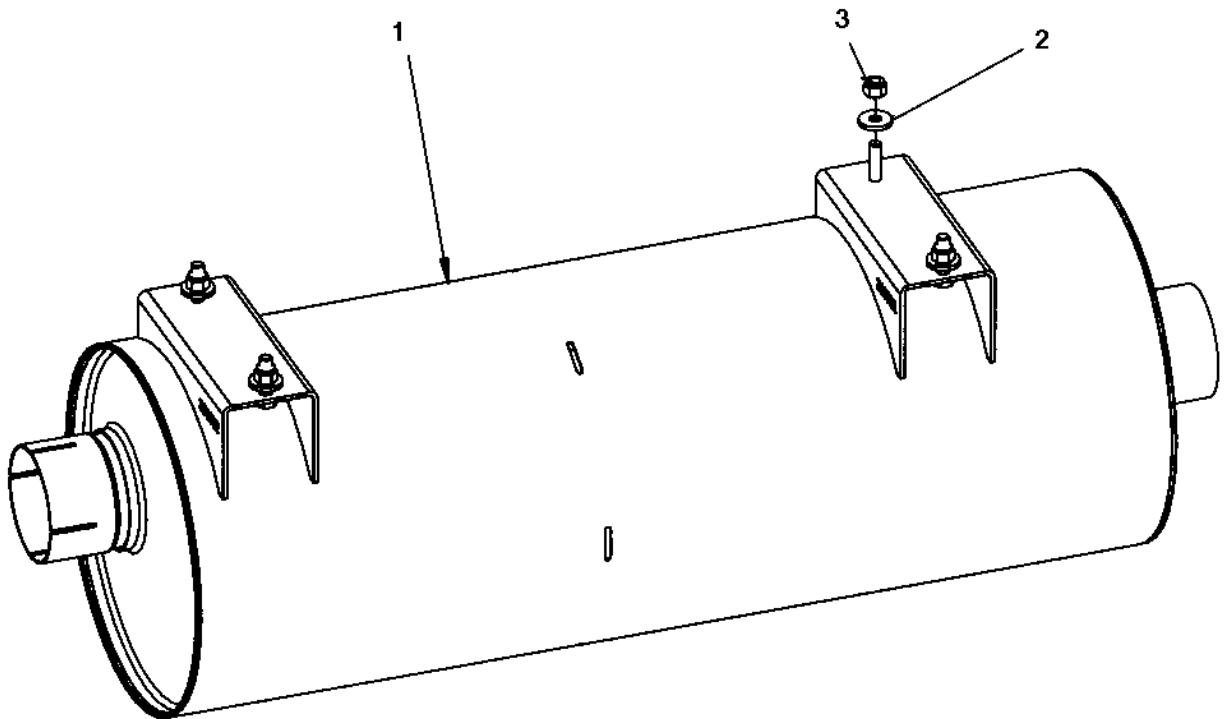
Item	Part No	Rem Qty	Description	Code
1	4700392087	1	Air cleaner	
	4700392088	1	. Main filter element	A
	4700392089	1	. Safety filter element	A
2	4700392091	1	Bracket	
3	4700904734	2	Washer 8,4x26x4	C
4	4700500023	2	Screw M8-1,25x40 8,8	C
5	4700904556	2	Washer 8,4x16x3,0	C
6	4700570005	2	Nut M8	C

Air cleaner hose module



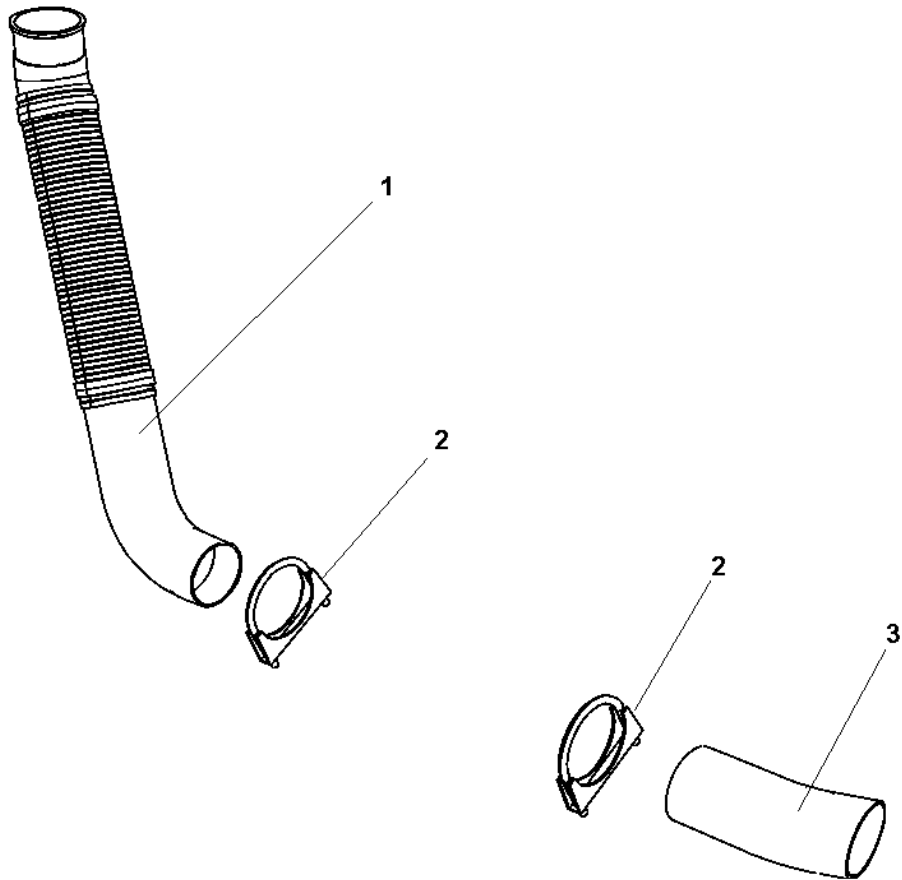
Air cleaner hose module

Item	Part No	Rem Qty	Description	Code
1	4700397153	1	Hose	
2	4700313033	3	Hose clamp	D
3	4700313038	1	Hose clamp	D
4	4700390830	1	Indicator	
5	4812110515	1	Hose	



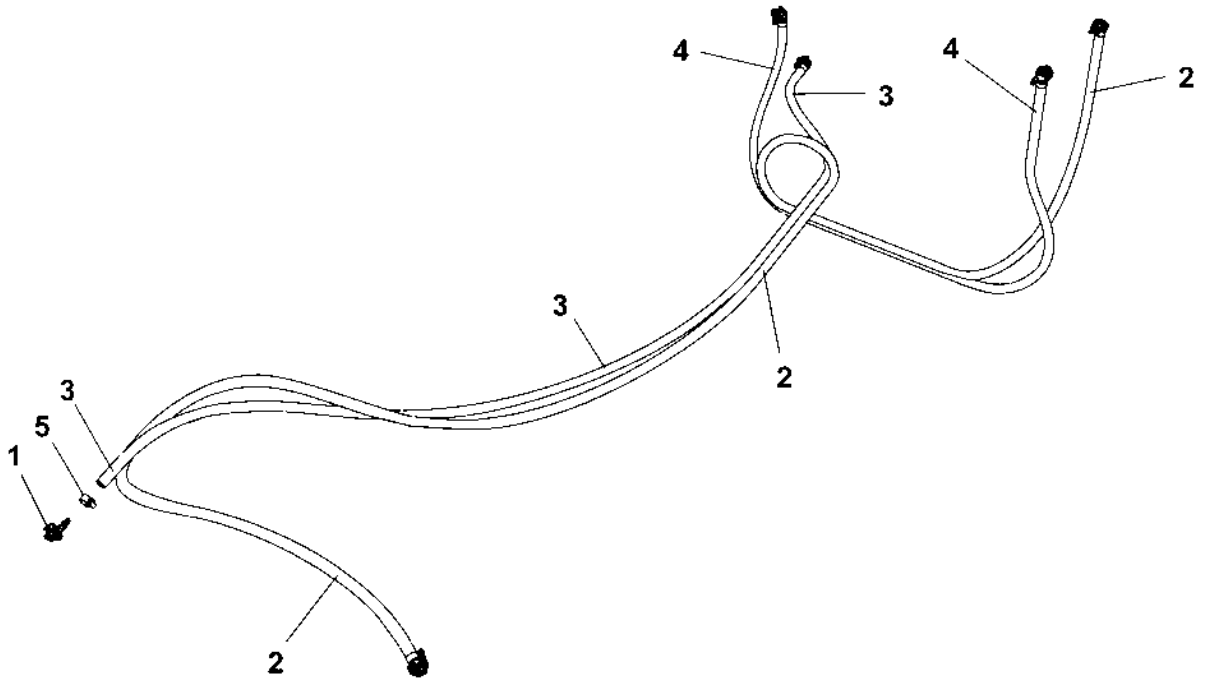
Muffler

Item	Part No	Rem Qty	Description	Code
1	4700392079	1	Muffler	
2	4700904640	4	Washer 8,4x22x3	C
3	4700791182	4	Lock nut M8	



Exhaust pipe module

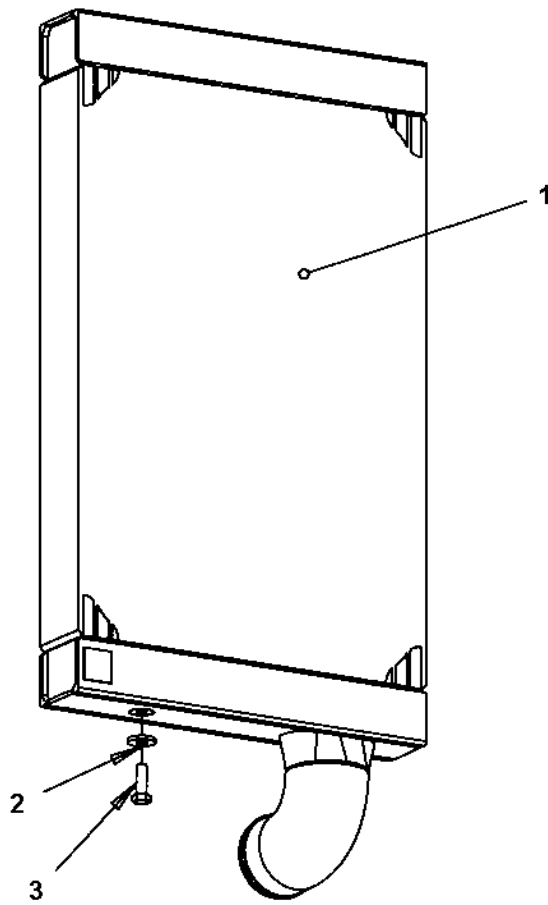
Item	Part No	Rem Qty	Description	Code
1	4700393046	1	Exhaust pipe	
2	4700313094	2	Pipe clamp	D
3	4700390903	1	Exhaust pipe	



Fuel hose module

Item	Part No	Rem	Qty	Description	Code
1	4700792526		6	Quick connect coupling	
2	4700904984	A	1XL	Fuel hose	C
3	4700904984	B	1XL	Fuel hose	C
4	4700904984	C	1XL	Fuel hose	C
5	4700313075		6	Hose clamp	D

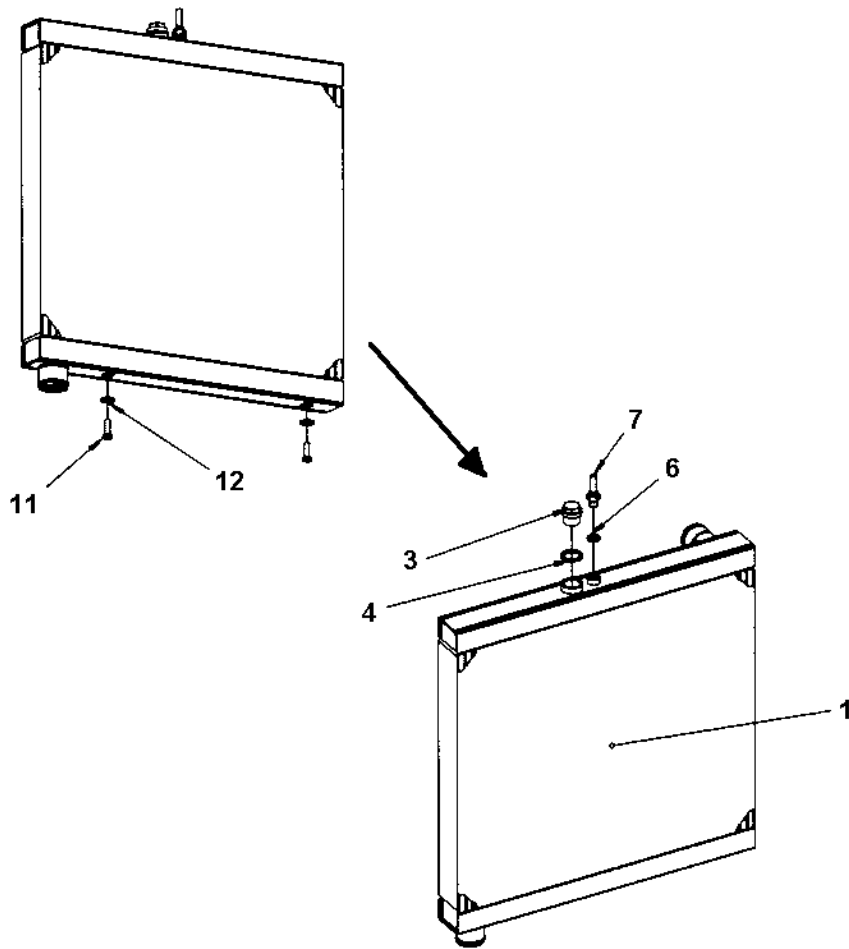
- A) L=3.35 m
- B) L=1.83 m
- C) L=1.35 m



Charge air cooler

Item	Part No	Rem Qty	Description	Code
1	4700391888	1	Charge air cooler	
2	4700904640	1	Washer 8,4x22x3	C
3	4700500021	1	Screw M8-1,25x25 8.8	C

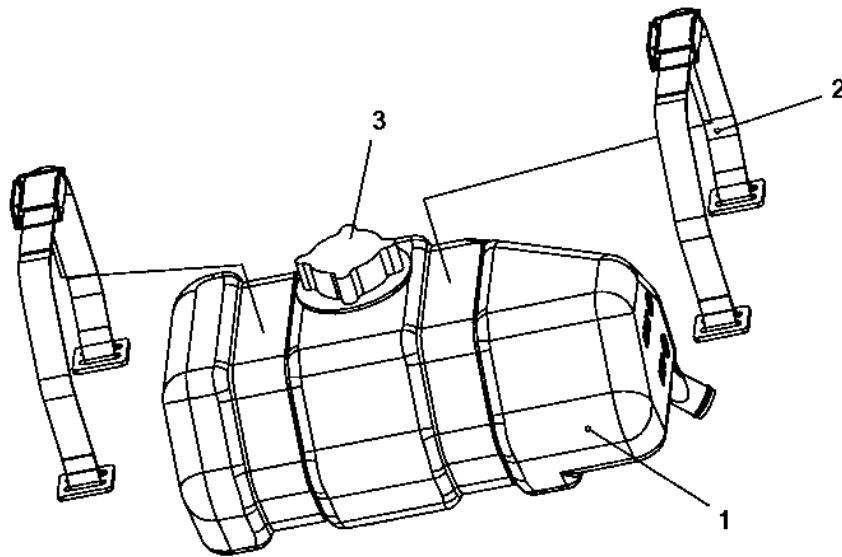
Water cooler



Water cooler

Item	Part No	Rem Qty	Description	Code
1	4700391884	1	Water cooler	C
3	4700232039	1	Plug G3/4	
4	4700791120	1	Sealing washer	
6	4700162004	1	Sealing	B
7	4700792322	1	Hose connection	
11	4700500021	2	Screw M8-1,25x25 8.8	C
12	4700904640	2	Washer 8,4x22x3	C

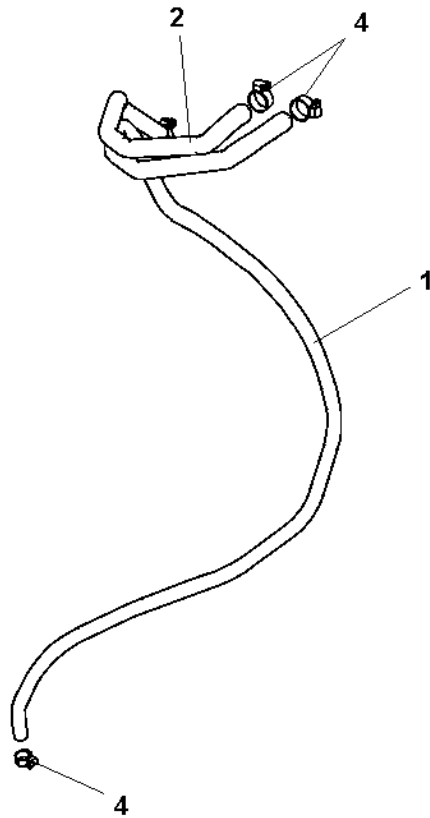
Expansion tank assembly



Expansion tank assembly

Item	Part No	Rem Qty	Description	Code
1	4700393029	1	Expansion tank	
2	4700393235	2	Strap	
3	4700903714	1	Cap	

Coolant hoses



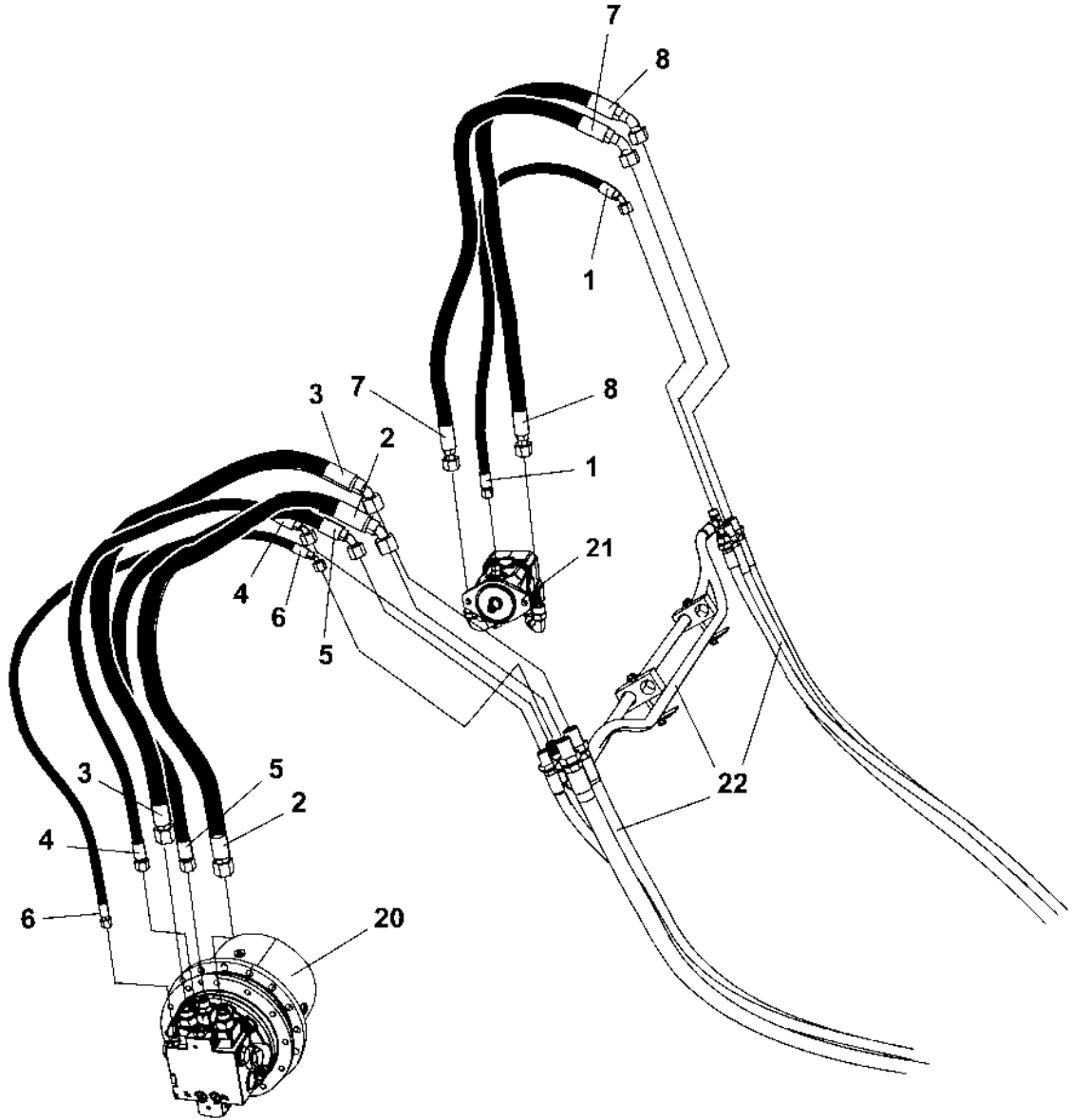
Coolant hoses

Item	Part No	Rem Qty	Description	Code
1	4700395505	1	Hose	
2	4700395506	1	Hose	
4	4700313001	4	Hose clamp	D

Hydraulic system

Item	Part No	Rem Qty	Description	Code
1			Hydraulic system, front drum (Page 202)	
2			Hydraulic system, rear drum std (Page 204)	
3			Hydraulic system, rear drum offset (Page 206)	
4			Hydraulic system, frame (Page 214)	
6			Hydraulic system, engine room (Page 216)	
7			Hydraulic system, steering Std (Page 228)	
8			Hydraulic steering, sliding seat (Page 232)	

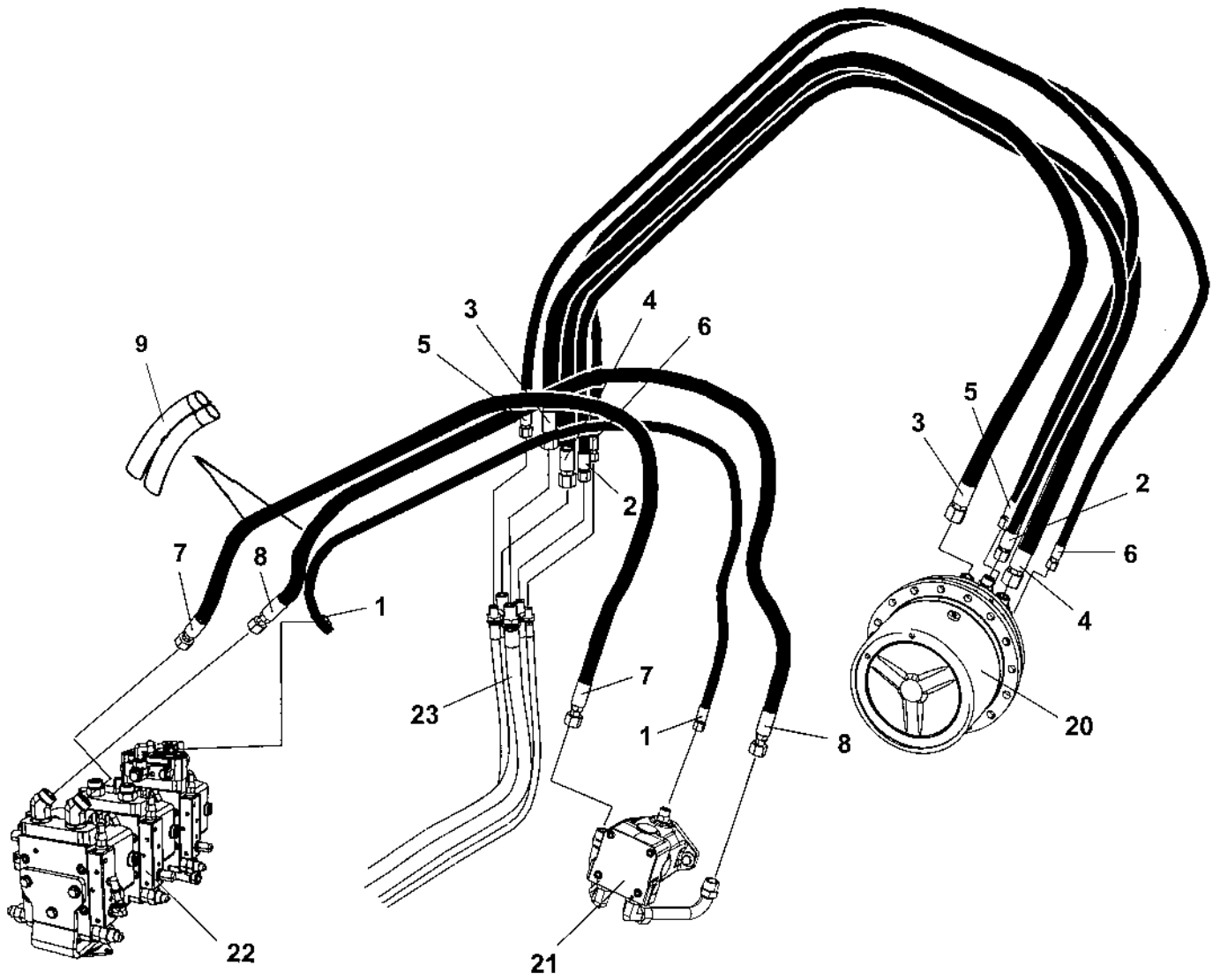
Hydraulic system, front drum



Hydraulic system, front drum

Item	Part No	Rem Qty	Description	Code
1	4700484183	1	Hydraulic hose	
2	4700484175	1	Hydraulic hose	
3	4700484180	1	Hydraulic hose	
4	4700484038	1	Hydraulic hose	
5	4700484181	1	Hydraulic hose	
6	4700484182	1	Hydraulic hose	
7	4700484196	1	Hydraulic hose	
8	4700484197	1	Hydraulic hose	
20		1	Drive unit (Page 162)	
21		1	Vibrating unit (Page 166)	
22			Hydraulic hoses, frame	

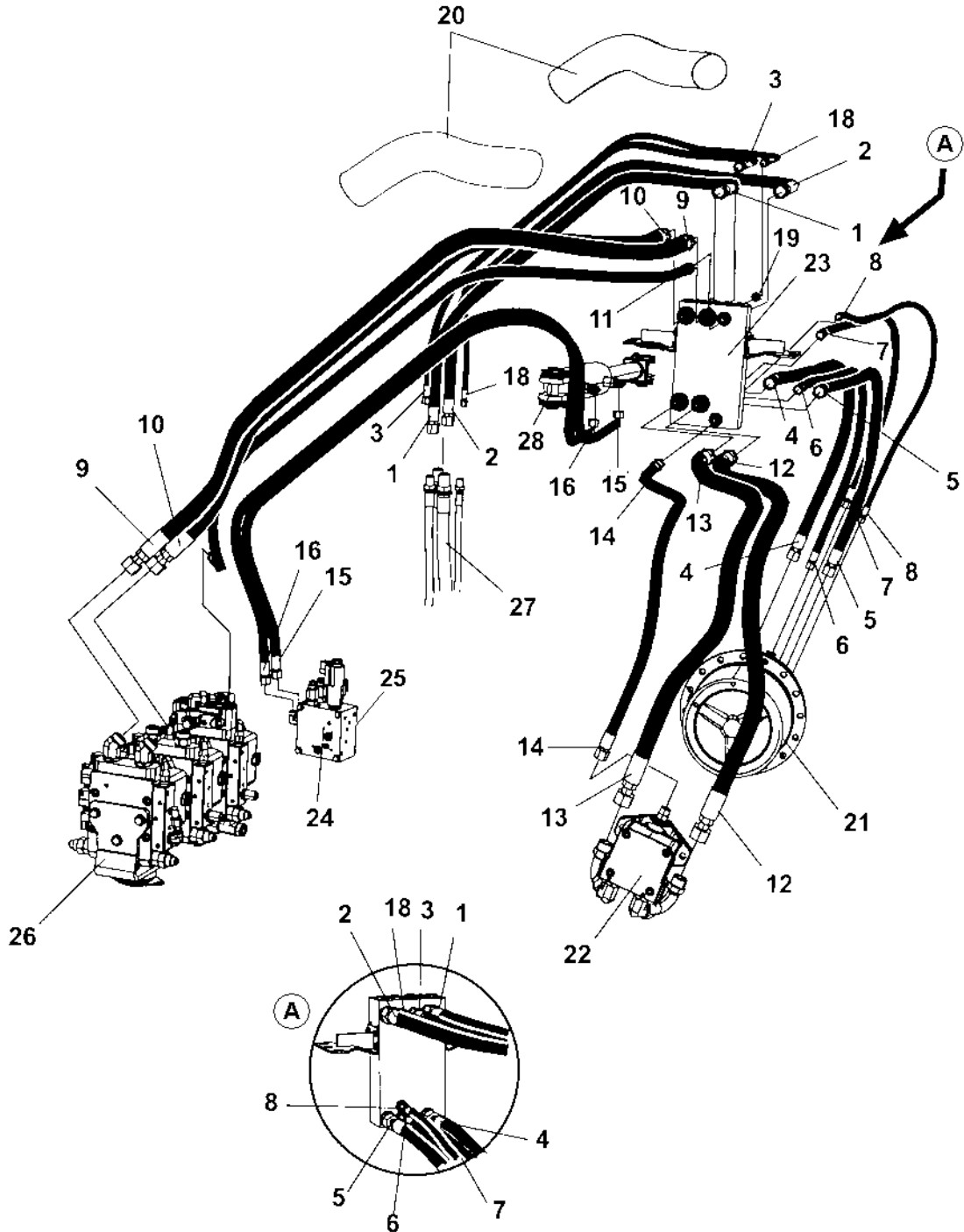
Hydraulic system, rear drum std



Hydraulic system, rear drum std

Item	Part No	Rem Qty	Description	Code
1	4700484259	1	Hydraulic hose	
2	4700484255	1	Hydraulic hose	
3	4700484253	1	Hydraulic hose	
4	4700484252	1	Hydraulic hose	
5	4700484246	1	Hydraulic hose	
6	4700484256	1	Hydraulic hose	
7	4700484250	1	Hydraulic hose	
8	4700484249	1	Hydraulic hose	
9	4700903082	N	Hose shield	D
20		1	Drive unit (Page 162)	
21		1	Vibrating unit (Page 166)	
22		1	Hydraulic pump (Page 226)	
23		1	Hydraulic hoses, frame	

Hydraulic system, rear drum offset

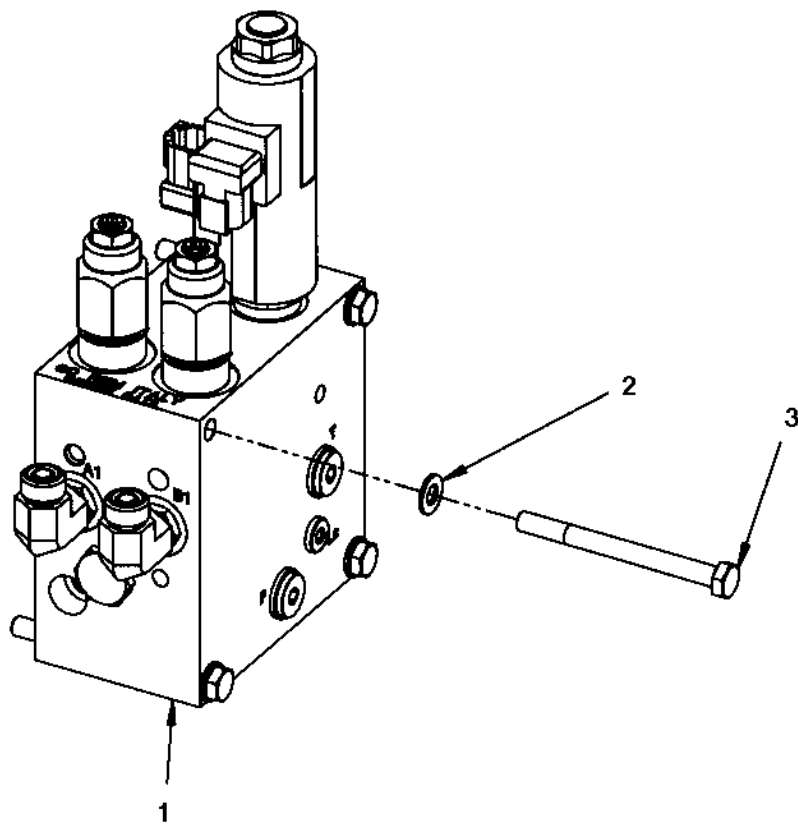


Hydraulic system, rear drum offset

Item	Part No	Rem Qty	Description	Code
1	4700484069	1	Hydraulic hose	
2	4700484167	1	Hydraulic hose	
3	4700484168	1	Hydraulic hose	
4	4700484211	1	Hydraulic hose	
5	4700484211	1	Hydraulic hose	
6	4700483957	1	Hydraulic hose	
7	4700484212	1	Hydraulic hose	
8	4700484213	1	Hydraulic hose	
9	4700484169	1	Hydraulic hose	
10	4700484170	1	Hydraulic hose	
11	4700484171	1	Hydraulic hose	
12	4700484214	1	Hydraulic hose	
13	4700484214	1	Hydraulic hose	
14	4700484215	1	Hydraulic hose	
15	4700483743	1	Hydraulic hose	
16	4700484172	1	Hydraulic hose	
17	4700903082	2XL	Hose shield	D
18	4700484173	1	Hydraulic hose	
19	4700791914	1	Straight connector orfs	
20	4812110223	2	Hose guard	
21		1	Drive unit (Page 162)	
22		1	Vibrating unit (Page 166)	
23		1	Connection block (Page 150)	
24		1	Hydraulic valve module, offset/combi (Page 208)	
25	4700891374	1	4 O-ring	
26		1	Hydraulic pump (Page 226)	
27		1	Hydraulic hoses, frame	
28	4700392531	1	Hydraulic cylinder	
	4700945916	1	. Seal kit	
	4700392103	2	. Shaft	C

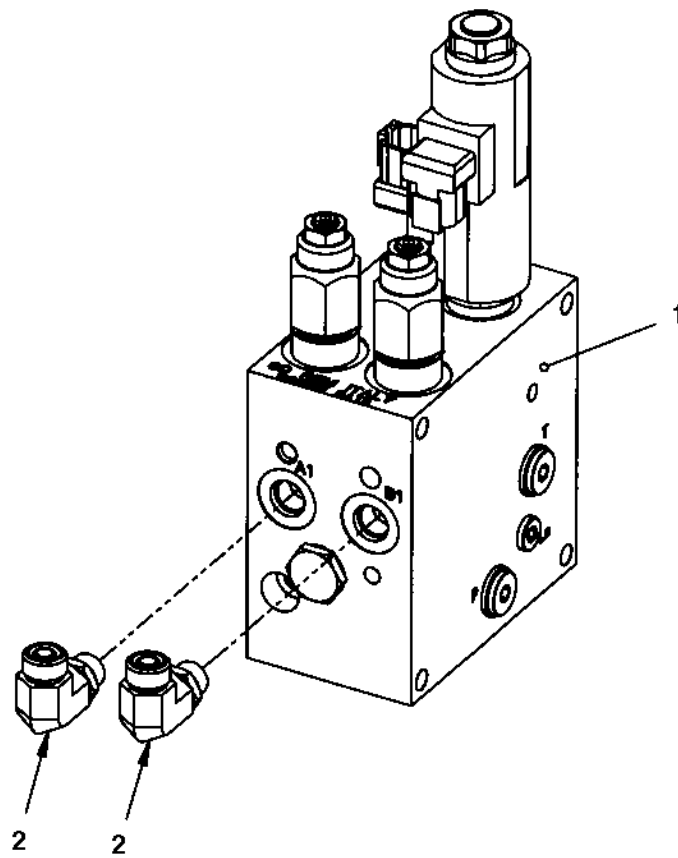
1) Fitted between PN 4700391575 and standard valve PN 4700391574.

Hydraulic valve module, offset/combi



Hydraulic valve module, offset/combi

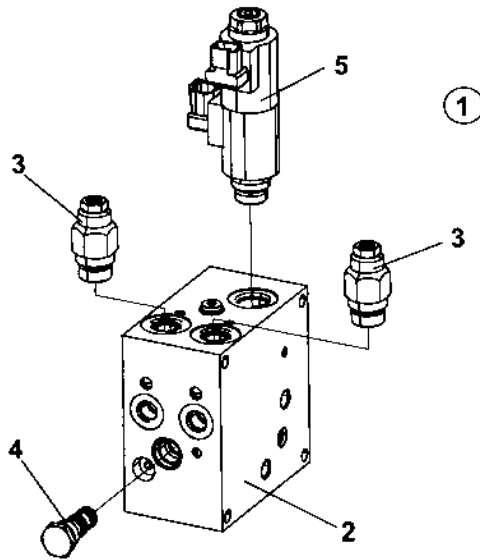
Item	Part No	Rem Qty	Description	Code
1		1	Hydraulic valve (Page 210)	
2	4700904229	4	Washer 8,4x16x1,5	C
3	4700500115	4	Screw M8-1,25x90 8.8	C



Hydraulic valve

Item	Part No	Rem Qty	Description	Code
1	4700391017	1	Hydraulic valve (Page 212)	C
2	4700791846	2	Elbow 90, O-ring with swivel	C

4700391017 Hydraulic valve



4700391017 Hydraulic valve

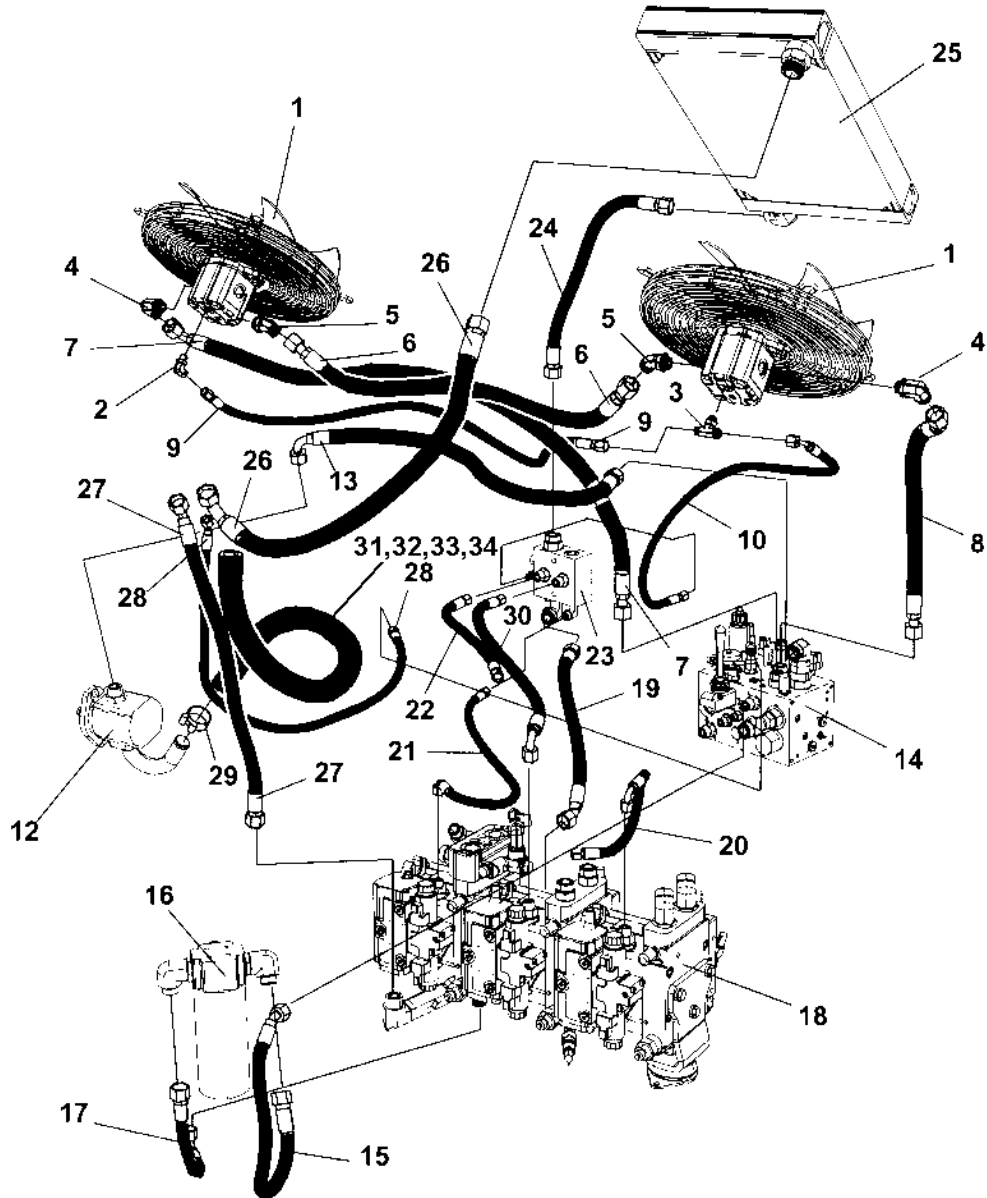
Item	Part No	Rem Qty	Description	Code
1		1	Hydraulic valve	C
2		1	. Valve block	C
3	4812155790	2	. Pressure relief valve	
4	4700940572	1	. Shuttle valve	C
5	4812156159	1	. Proportional valve	

Hydraulic system, frame

Item	Part No	Rem Qty	Description	Code
1	4700792454	2	Nut	
2	4700792453	4	Nut	
3	4700792452	1	Nut	
4	4700792451	2	Nut	
5	4700792344	1	Bulkhead union	
6	4700791798	1	T-connector	
7	4700392048	1	Connector	
8	4700904009	2	O-ring	D
9	4700792632	2	O-ring	
10	4700904010	2	O-ring	C
11	4700606009	1	Lock washer	
12	4700792720	2	Serrated lock washer	
13	4700484147	1	Hydraulic hose	
14	4700484146	1	Hydraulic hose	
15	4700484148	1	Hydraulic hose	
16	4700484140	1	Hydraulic hose	
17	4700484141	1	Hydraulic hose	
18	4700484142	1	Hydraulic hose	
19	4700484143	1	Hydraulic hose	
20	4700484144	1	Hydraulic hose	
21	4700484145	1	Hydraulic hose	
22	4700792696	5	Hose guard	
23	4700484150	1	Hydraulic hose	
28	4700792442	2	Cable tie with holder	
29	4700484045	1	Hydraulic hose	
30	4700791841	1	Elbow 90 orfs	
31	4700792452	1	Nut	
32	4700606021	1	Serrated lock washer	
33	4700792331	2	Elbow 90 orfs	C
34	4700792512	A 1	Steel plug threaded	
35	4700484165	1	Hydraulic hose	
36	4700484166	1	Hydraulic hose	
37	4700792450	2	Nut	
38	4700791744	2	Straight connector	

A) Used on machine with offset drum.

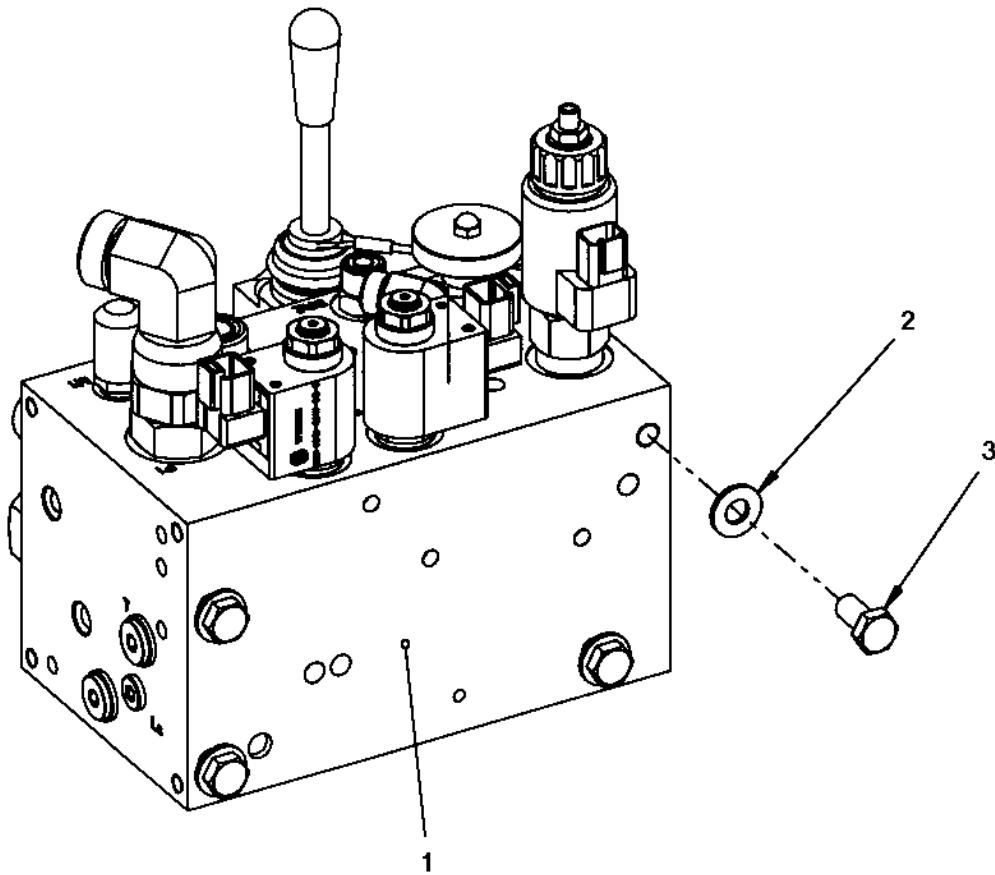
Hydraulic system, engine room



Hydraulic system, engine room

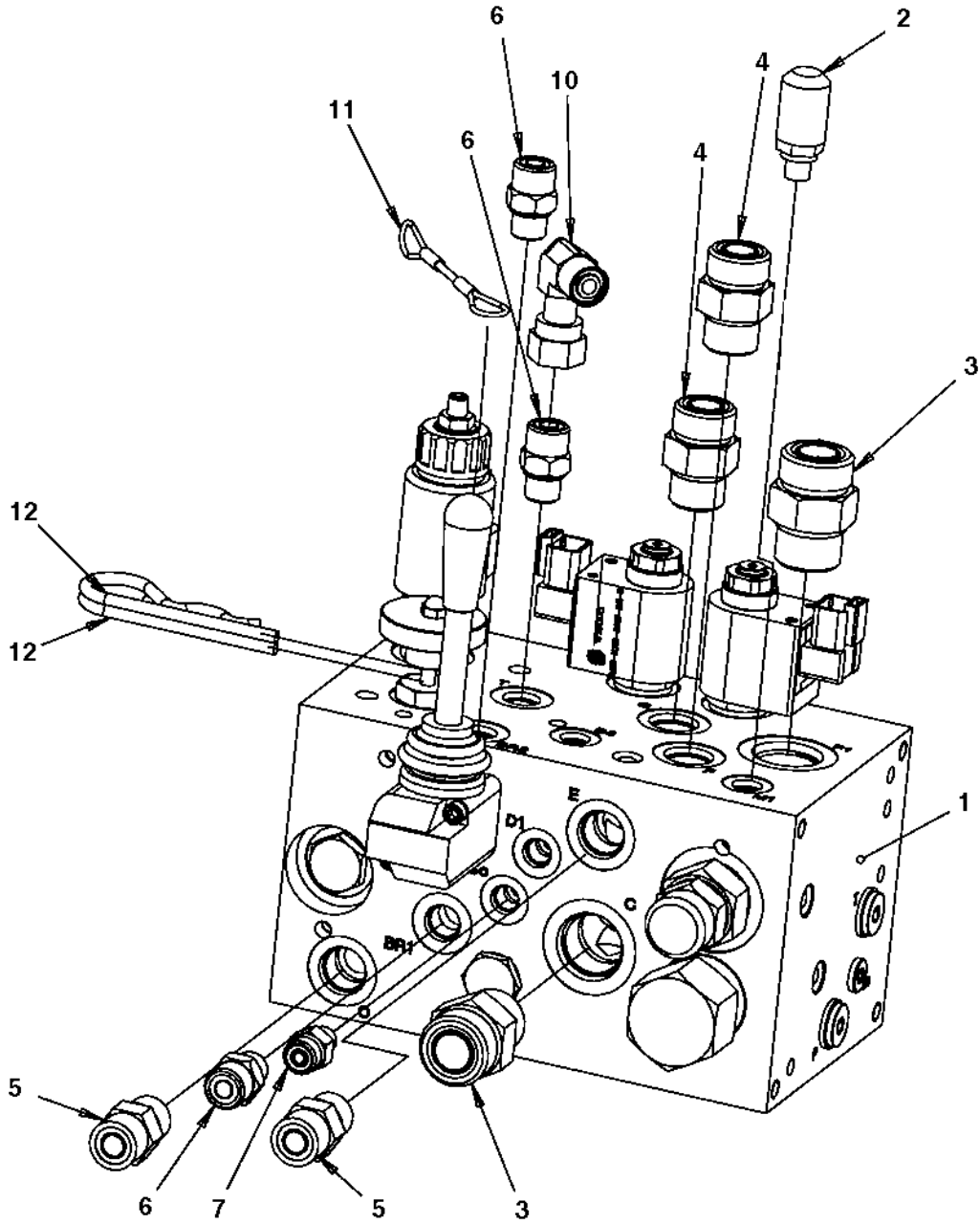
Item	Part No	Rem Qty	Description	Code
1		2	Fan assembly (Page 64)	
2	4700791397	1	Elbow 90, O-ring	
3	4700792340	1	Tee-connector orfs	
4	4700792332	2	Elbow 90 orfs	
5	4700792809	2	Elbow 90 orfs	
6	4700484152	1	Hydraulic hose	
7	4700484151	1	Hydraulic hose	
8	4700484153	1	Hydraulic hose	
9	4700484154	1	Hydraulic hose	
10	4700484032	1	Hydraulic hose	
12		1	Steering pump	
13	4700484149	1	Hydraulic hose	
14		1	Hydraulic valve module (Page 218)	
15	4700484159	1	Hydraulic hose	
16	4700391025	1	Hydraulic oil filter	
	4700391433	1	. Filter element	A
	4700391432	1	Cleaning filter element	
17	4700484037	1	Hydraulic hose	
18		1	Hydraulic pump module (Page 224)	
19	4700483642	1	Hydraulic hose	
20	4700484036	1	Hydraulic hose	
21	4700484043	1	Hydraulic hose	
22	4700484161	1	Hydraulic hose	
23		1	Connection block	
24	4700484162	1	Hydraulic hose	
25		1	Radiator assembly	
26	4700484163	1	Hydraulic hose	
27	4700484159	1	Hydraulic hose	
28	4700484158	1	Hydraulic hose	
29	4700902295	4	Clamp	
30	4700483726	1	Hydraulic hose	
31	4700397567	1	Pipe	
32	4811000117	A 1	Hydraulic hose	
33	4811000118	B 1	Hydraulic hose	
34	4700921050	2	Clamp	C

- A) Upper hose
- B) Lower hose



Hydraulic valve module

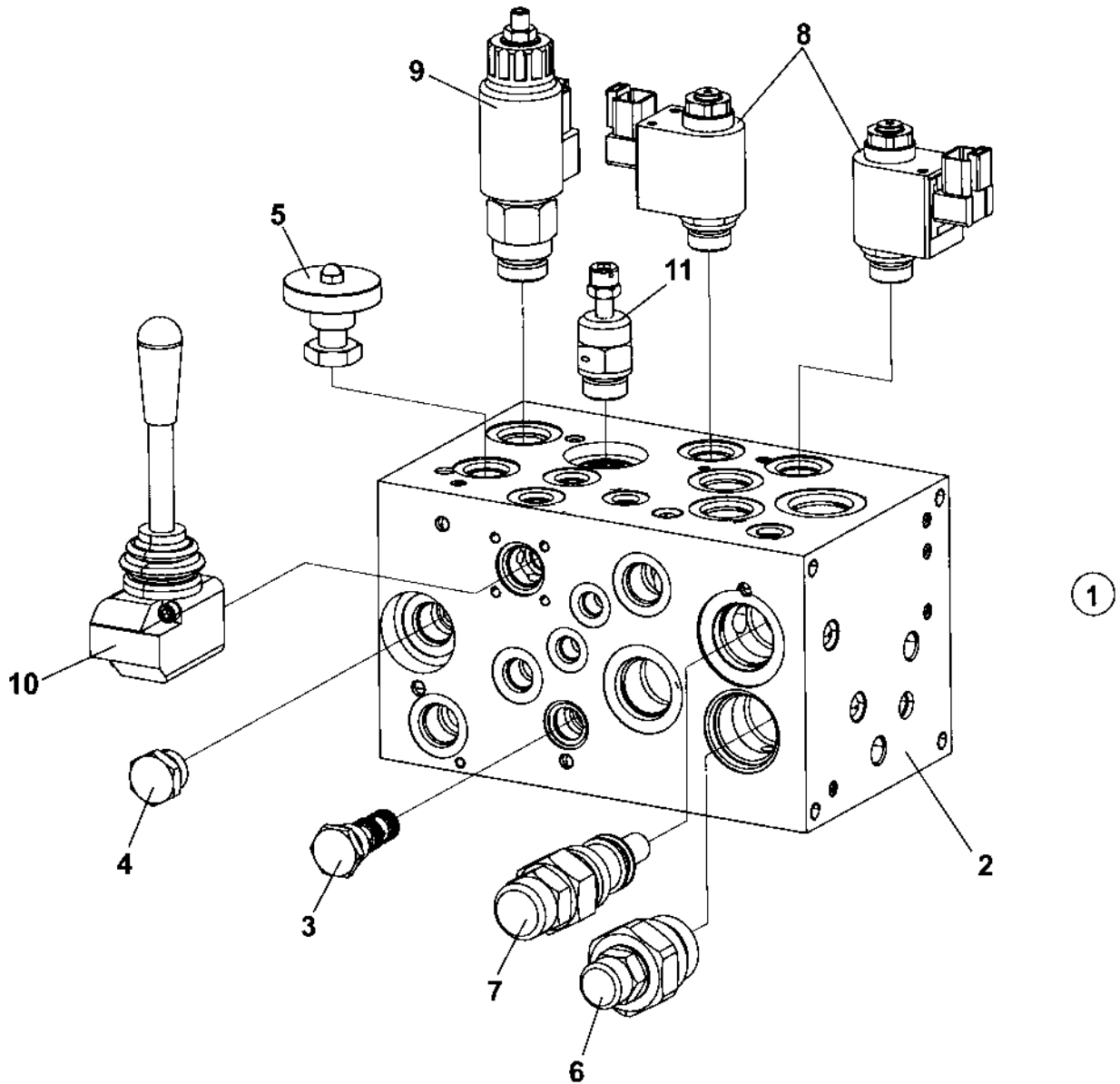
Item	Part No	Rem Qty	Description	Code
1		1	Hydraulic valve (Page 220)	
2	4700904230	4	Steel plain washer	C
3	4700500048	4	Screw M10-1,5x20 8,8	C



Hydraulic valve

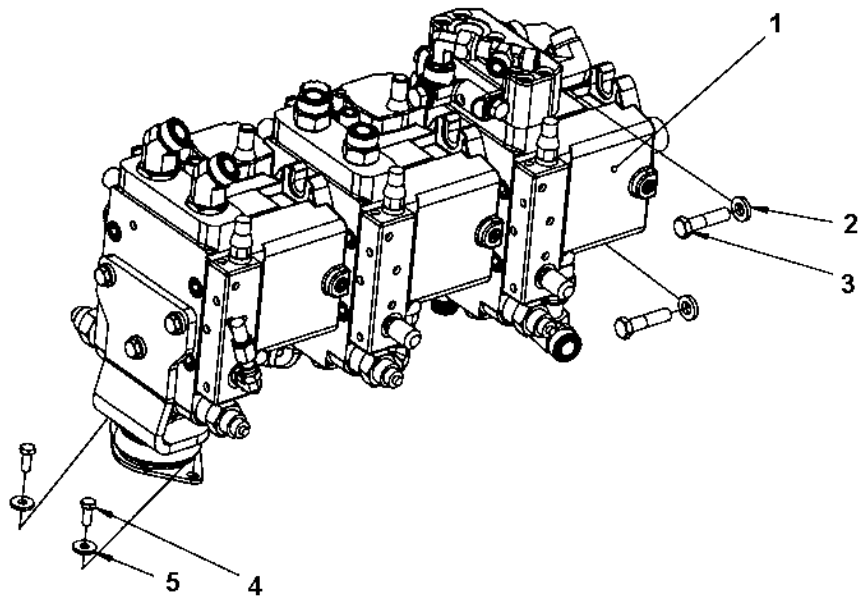
Item	Part No	Rem Qty	Description	Code
1	4700395924	1	Hydraulic valve (Page 222)	C
2	4700910162	1	Measuring nipple	D
3	4700791823	2	Straight connector orfs	
4	4700791743	2	Straight connector orfs	
5	4700791799	2	Straight connector orfs	
6	4700791409	3	Straight connector orfs	C
7	4700791744	1	Straight connector	
10	4700791401	1	Elbow 90, O-ring with swivel	C
11	4700358732	1	Wire	D
12	4700635061	2	Hair clip	C

4700395924 Hydraulic valve



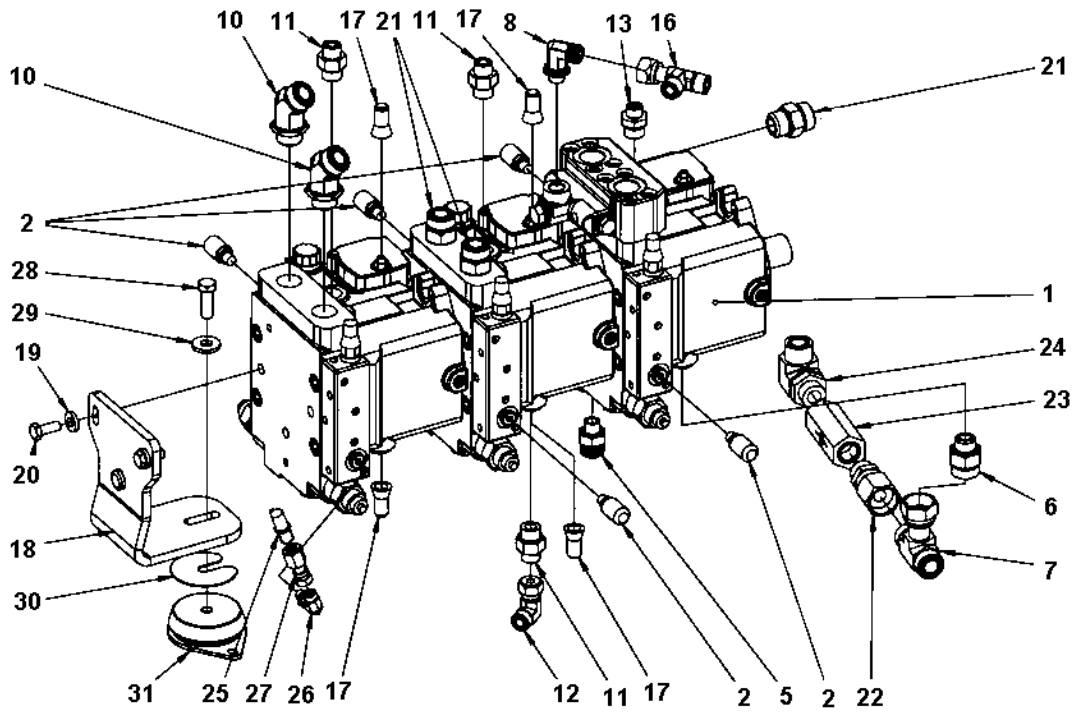
4700395924 Hydraulic valve

Item	Part No	Rem Qty	Description	Code
1		1	Hydraulic valve	C
2		1	. Valve block	C
3	4700940572	1	. Shuttle valve	C
4		1	. Check valve	C
5		1	. Brake release valve	C
6	4700950571	1	. Priority valve	
7	4700950572	1	. Pressure relief valve	
8	4700950570	2	. Solenoid valve	
9		1	. Fan proportional valve	
10		1	. Brake release pump	
11		1	. Brake pressure relief valve	



Hydraulic pump module

Item	Part No	Rem Qty	Description	Code
1		1	Hydraulic pump (Page 226)	
2	4700904703	2	Washer	C
3	4700500269	2	Screw	C
4	4700500019	2	Screw M8x16H 8.8 A2K	C
5	4700904640	2	Washer 8,4x22x3	C

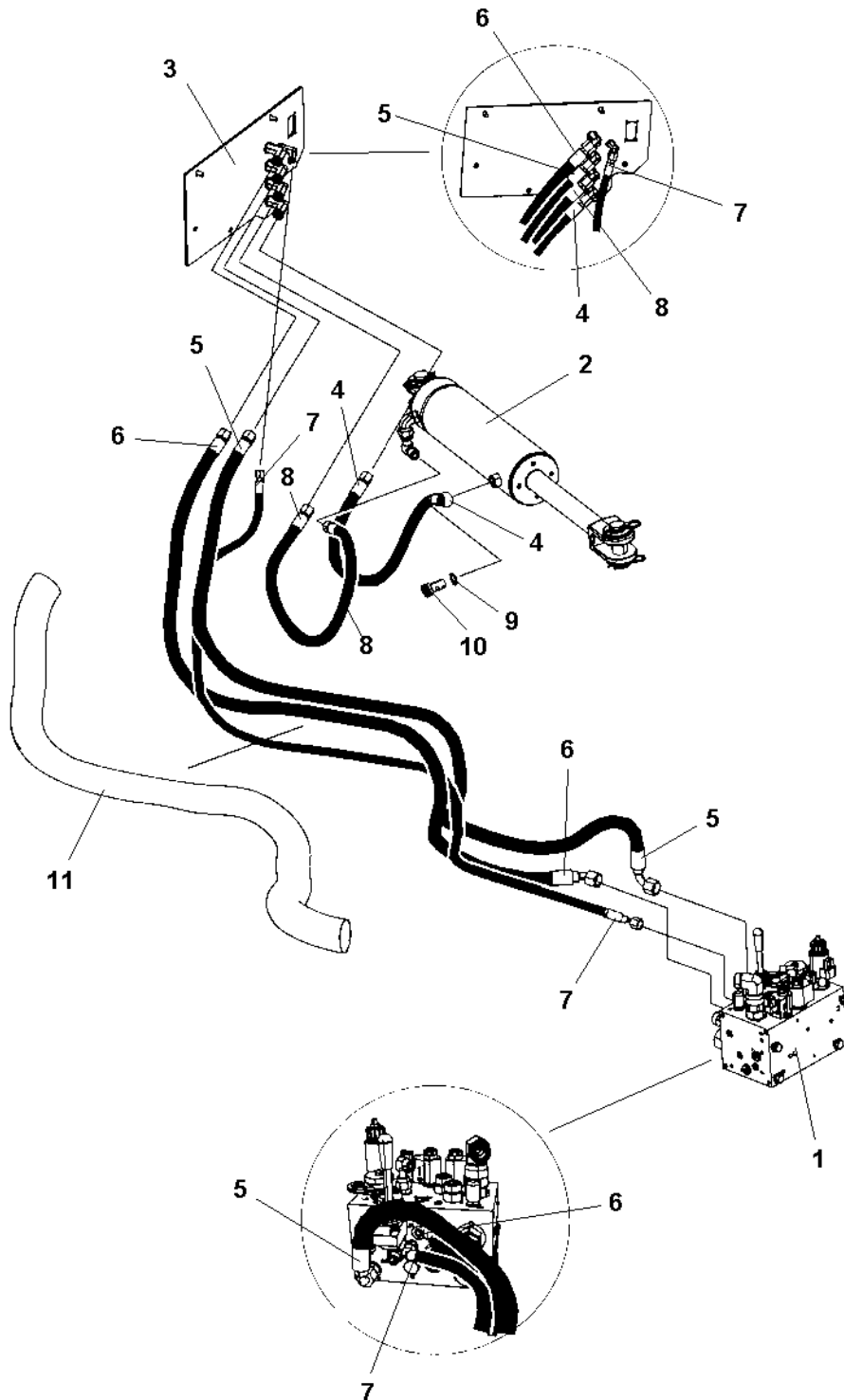


Hydraulic pump

Item	Part No	Rem	Qty	Description	Code
1	4700392521		1	Hydraulic pump	
	4812156151	A	4	. Solenoid	
	4812156152	B	2	. Solenoid	
2	4700901157		5	Measuring nipple	C
5	4700792465		1	Straight connector orfs	
6	4700792336		1	Straight connector orfs	
7	4700791831		1	Tee-connector	
8	4700792333		1	Elbow 90 orfs	
10	4700792157		2	Elbow adapter 45	
11	4700791635		3	Straight connector	
12	4700791745		1	Elbow 90, O-ring with swivel	
13	4700791634		1	Adapter	
16	4700791798		1	T-connector	
17	4700392534		4	Sealing	
18	4700397214		1	Engine bracket	
19	4700904557		3	Steel plain washer	C
20	4700500028		3	Screw	C
21	4700791853		3	Straight connector orfs	
22	4700791824		1	Straight connector	
23	4700376922		1	Check valve	
24	4700791698		1	Elbow 90, O-ring with swivel	
25	4700923405		2	Measuring nipple	C
26	4700792094		1	Elbow 90	C
27	4700792649		1	Straight connector orfs	
28	4700500037		1	Screw	C
29	4700904213		1	Washer	C
30	4700395391		1	Spacer	
31	4700395393		1	Shock absorber	

- A) Propulsion
- B) Vibration

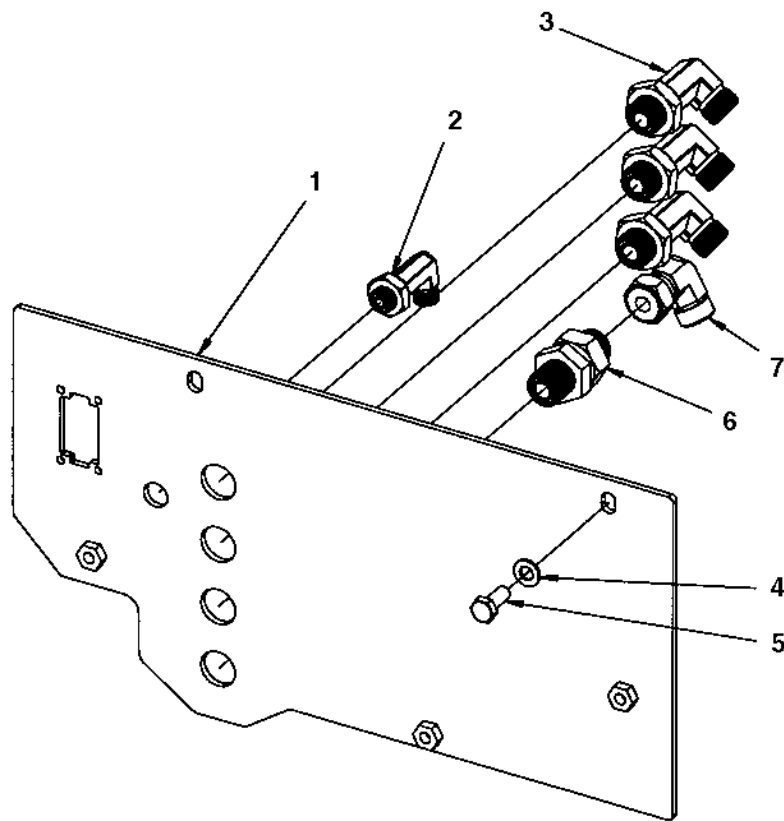
Hydraulic system, steering Std



Hydraulic system, steering Std

Item	Part No	Rem Qty	Description	Code
1		1	Hydraulic valve module (Page 218)	
2		1	Steering cylinder	
3		1	Hose bracket (Page 230)	
4	4700394319	1	Hydraulic hose	
5	4700484157	1	Hydraulic hose	
6	4700484155	1	Hydraulic hose	
7	4700484156	1	Hydraulic hose	
8	4700484160	1	Hydraulic hose	
9	4700162015	2	Seal ring	D
10	4700904292	1	Hollow screw	
11	4700792697	1	Hose guard	

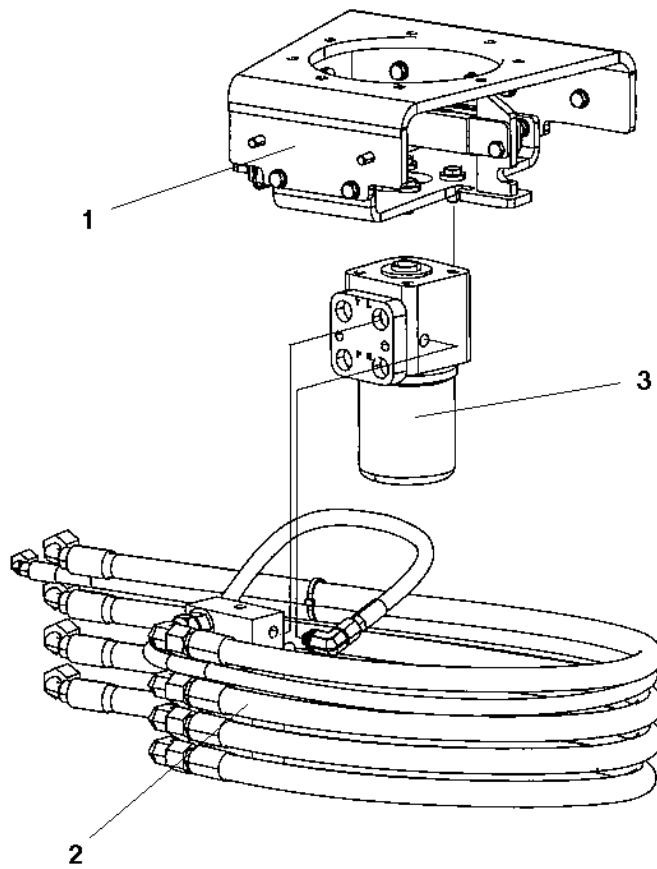
Hose bracket



Hose bracket

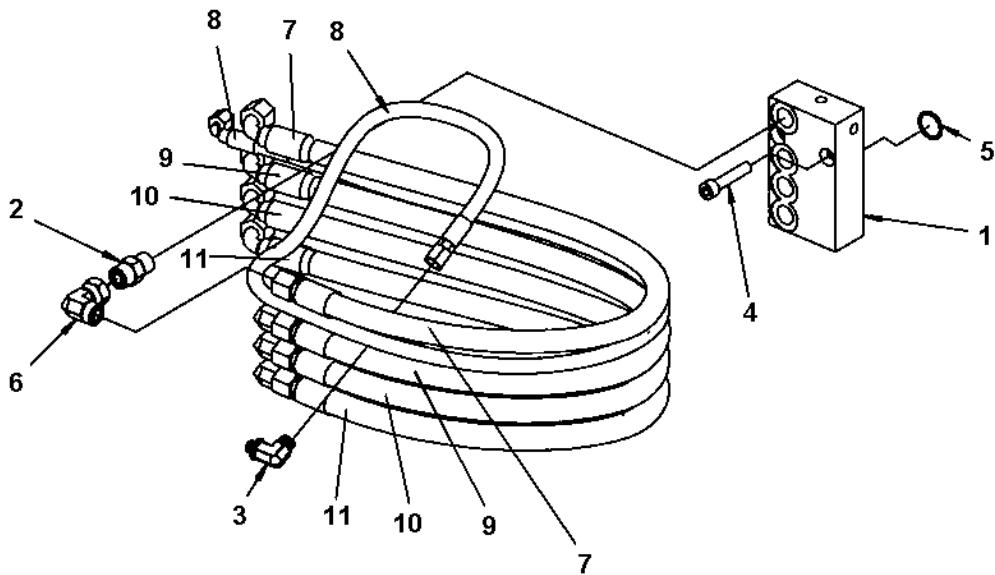
Item	Part No	Rem Qty	Description	Code
1	4700391192	1	Hose bracket	
2	4700792343	1	Bulkhead elbow	
3	4700792342	4	Bulkhead elbow	
4	4700904229	2	Washer 8,4x16x1,5	C
5	4700500053	2	Screw M8x20H 8.8	C

Hydraulic steering, sliding seat



Hydraulic steering, sliding seat

Item	Part No	Rem Qty	Description	Code
1		1	Carrier (Page 388)	
2		1	Steering, slideable (Page 234)	
3	4700394318	1	Pilot valve, steering	C
	4700392758	1	Pilot valve, emergency steering	



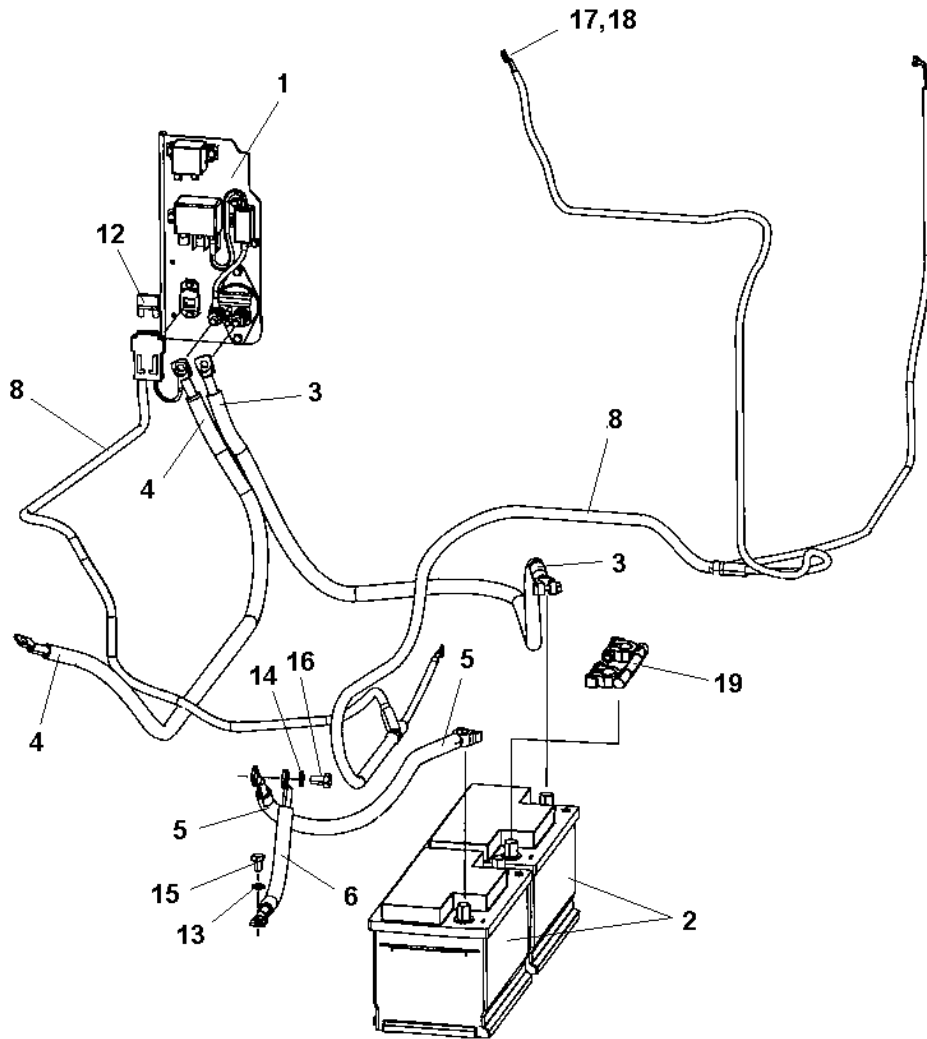
Steering, slideable

Item	Part No	Rem Qty	Description	Code
1	4700370155	1	Valve block	D
2	4700791799	4	Straight connector orfs	
3	4700792334	1	Elbow 90 orfs	
4	4700903773	2	Screw M10x1x50 8,8	C
5	4700160287	4	O-ring	C
6	4700791745	4	Elbow 90, O-ring with swivel	
7	4700484230	1	Hydraulic hose	
8	4700484231	1	Hydraulic hose	
9	4700484230	1	Hydraulic hose	
10	4700484230	1	Hydraulic hose	
11	4700484230	1	Hydraulic hose	

Electrical equipment

Item	Part No	Rem Qty	Description	Code
1			Electric cables, power supply (Page 238)	
2			Electric cables, power supply cab (Page 244)	
3			Electric cables, engine - ECU (Page 246)	
4			Electric cables, sensors/ horn/ back-up alarm (Page 252)	
6			Tachograph (Page 262)	
8			Driving & side direction lights (Page 270)	
9			Rotating beacon, working light (Page 288)	

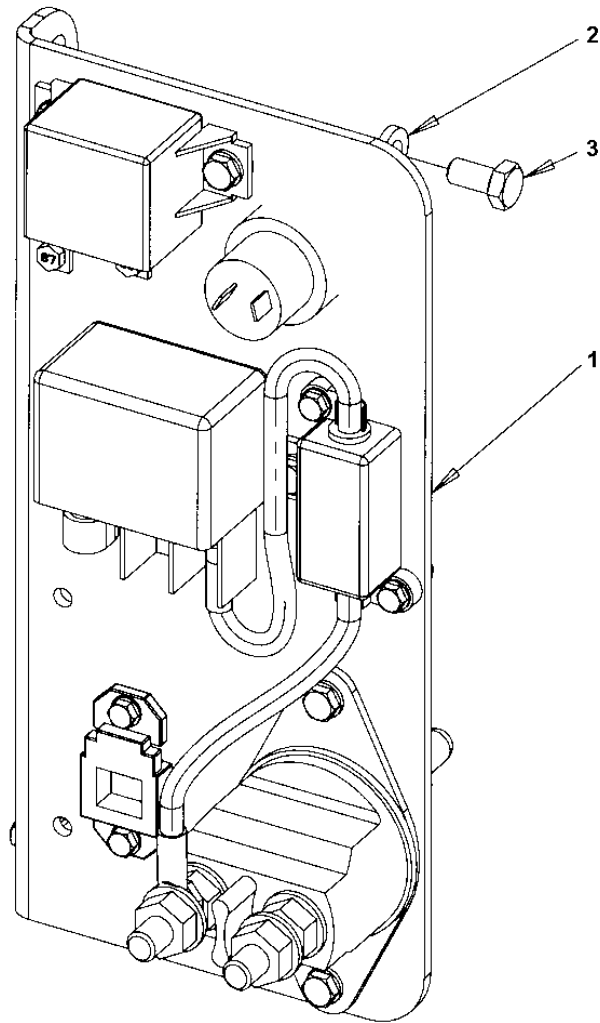
Electric cables, power supply



Electric cables, power supply

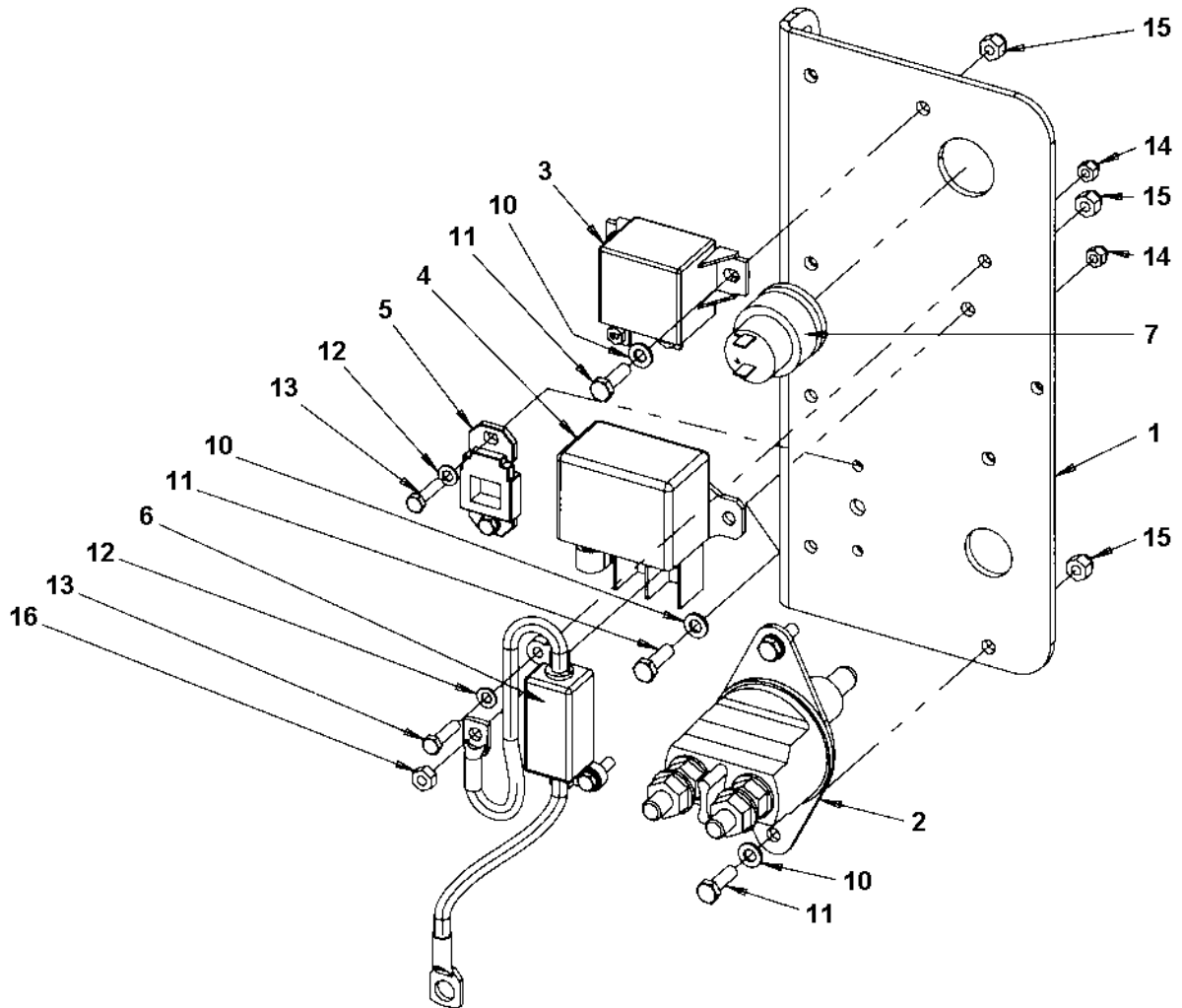
Item	Part No	Rem Qty	Description	Code
1		1	Battery disconnecter (Page 240)	
2		A	Batteries	
3	4700792610	1	Battery cable +	
4	4700792606	1	Connection cable, coarse	
5	4700792328	1	Battery cable -	
6	4700335607	1	Connection cable, coarse	D
8	4700394821	1	Cable harness, power supply	
12	4700904039	1	Fuse 50A Red High	A
13	4700904637	1	Washer	C
14	4700904638	1	Washer 12x22x2	
15	4700500043	1	Screw M10x16H 8,8	C
16	4700500035	1	Screw M12x020H	
17	4700904229	1	Washer 8,4x16x1,5	C
18	4700570005	1	Nut M8	C
19	4700792684	1	Battery union cable	

A) See section " Rear frame - Engine structure "



Battery disconnecter

Item	Part No	Rem Qty	Description	Code
1		1	Battery disconnecter (Page 242)	
2	4700904556	3	Washer 8,4x16x3,0	C
3	4700500019	3	Screw M8x16H 8.8 A2K	C

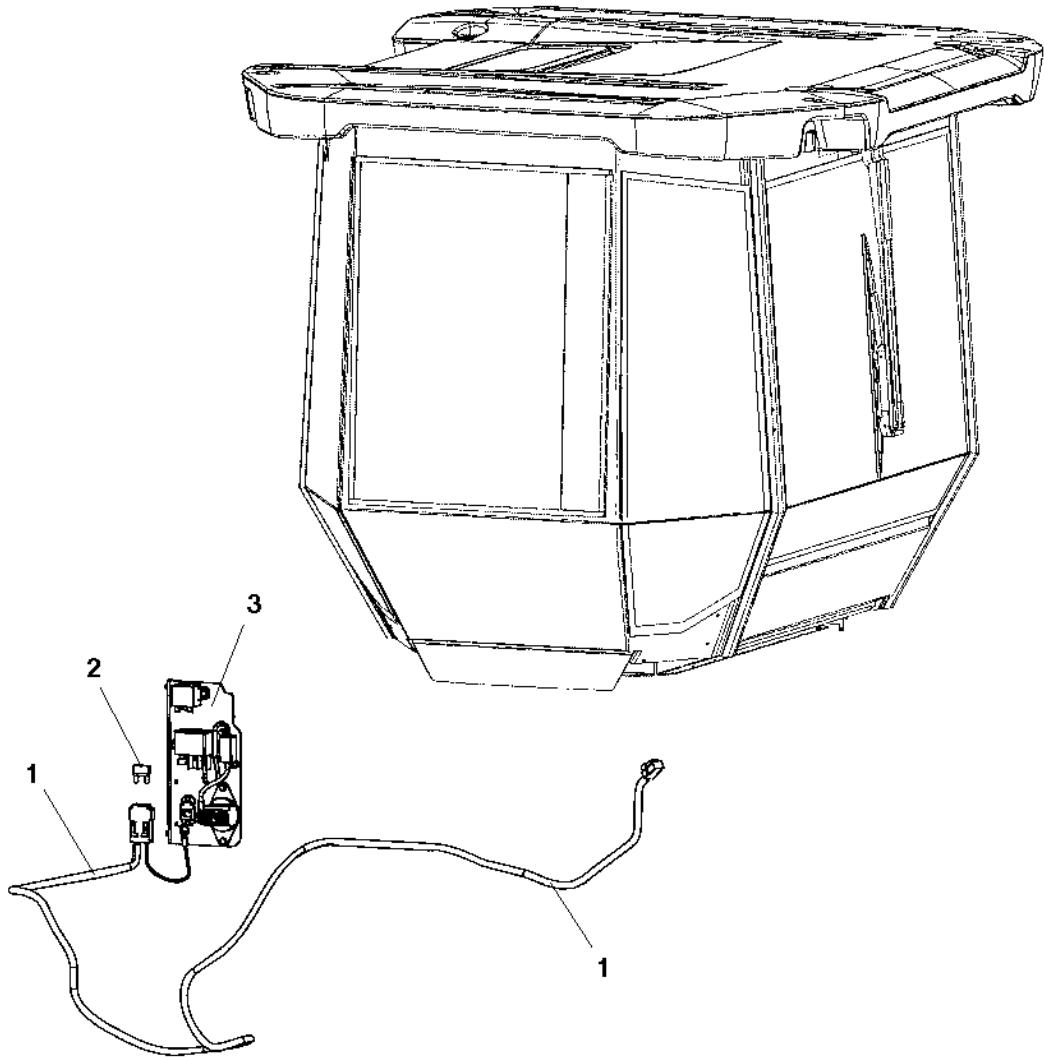


Battery disconnecter

Item	Part No	Rem Qty	Description	Code
1	4700391269	1	Holder	
2	4700903640	1	Battery switch	D
	4700903641	1	. Key	D
3	4700792309	1	Relay	D
4	4700792310	1	Relay	
5	4700904036	1	Fuse holder	D
6	4700391585	A 1	Cable harness	
	4700791479	1	. Fuse, Orange 125A	
7	4700395816	1	Plug socket 24V	
10	4700904228	6	Washer 6,4x12x1,5	C
11	4700500040	6	Screw M6-1x20 8,8	C
12	4700904281	4	Washer 5,3x10x1 300HV	C
13	4700500060	4	Screw M5-0,8x20 8.8	C
14	4700586001	4	Lock nut	C
15	4700586002	6	Lock nut M6 -8	C
16	4700570004	1	Nut M6X1,00 -8 A2K	C

A) Pre-heater

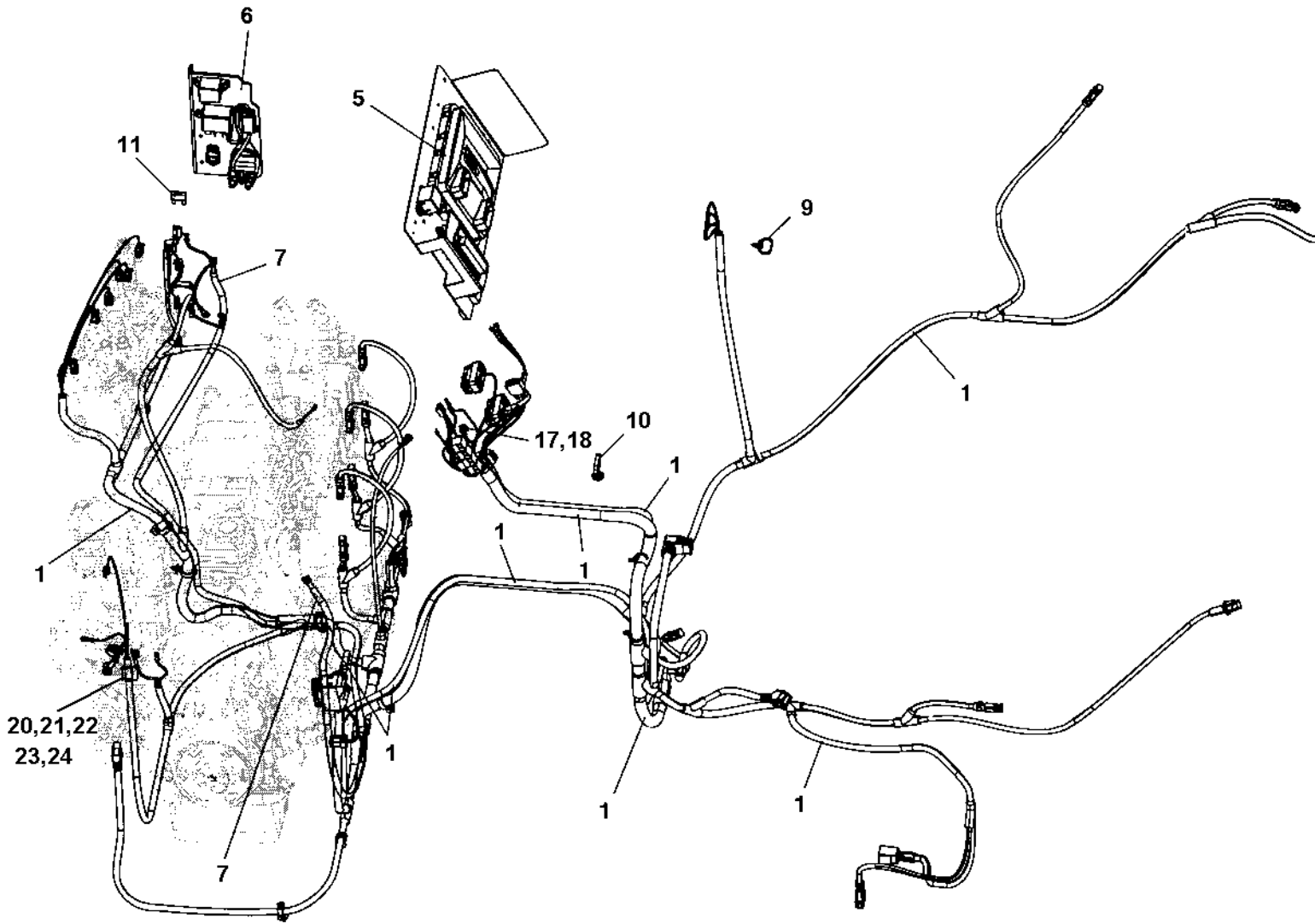
Electric cables, power supply cab



Electric cables, power supply cab

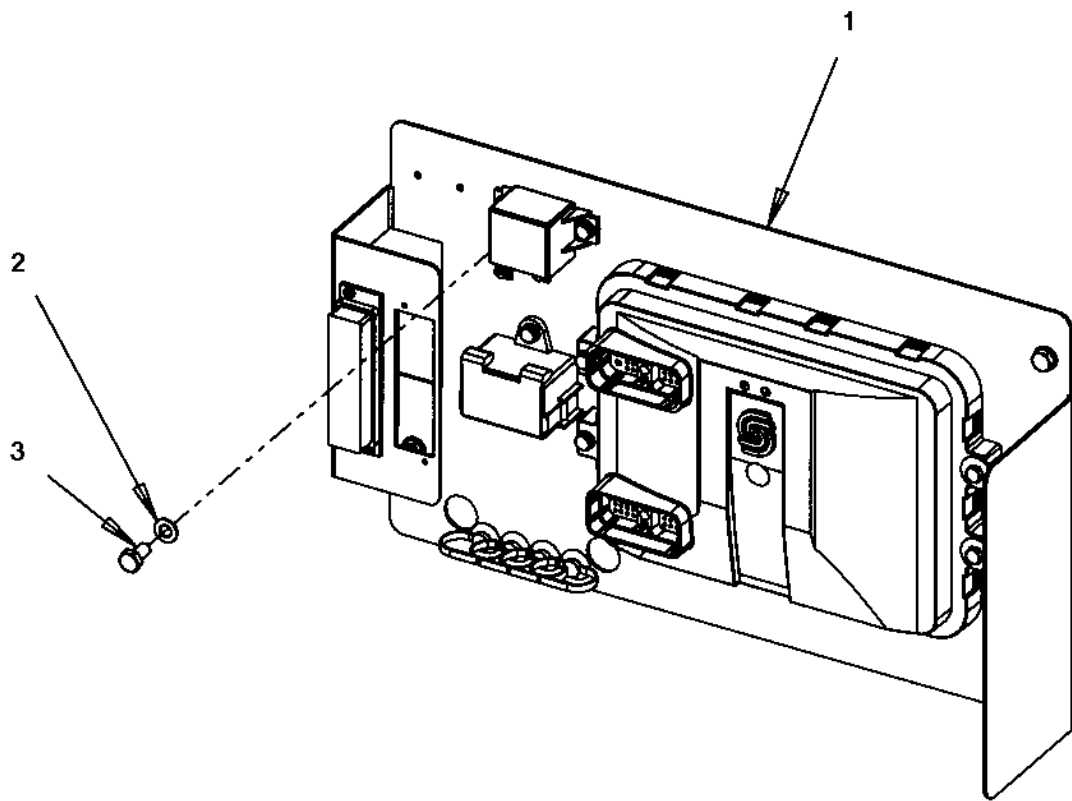
Item	Part No	Rem Qty	Description	Code
1	4700392156	1	Cable harness, power supply Cab	
2	4700904039	1	Fuse 50A Red High	A
3		1	Battery disconnecter (Page 240)	

Electric cables, engine - ECU



Electric cables, engine - ECU

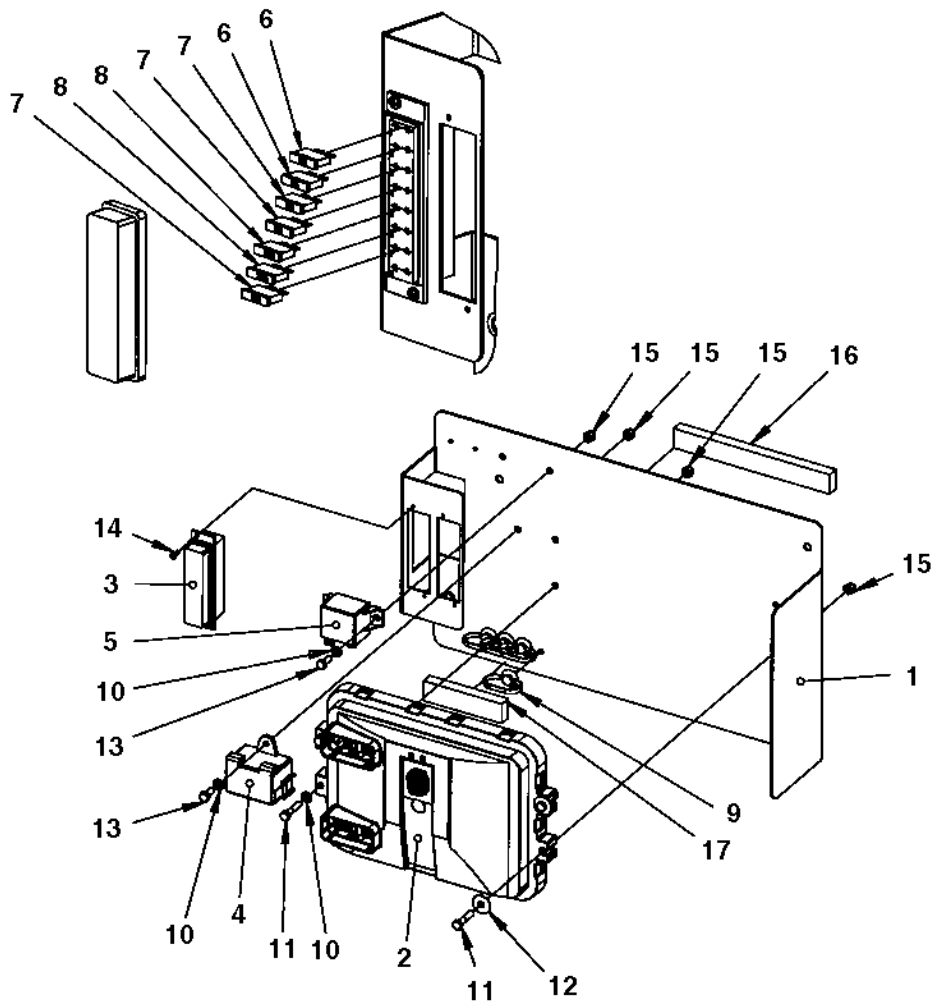
Item	Part No	Rem Qty	Description	Code
1	4812110653	1	Cable harness, ECU/CanBus	
5		1	Standard ECU module (Page 248)	
6		1	Battery disconnecter (Page 242)	
7	4700792627	1	Connection cable, coarse	
9	4700792441	21	Cable tie with holder	
10	4700792442	1	Cable tie with holder	
11	4700904037	1	Fuse 30A	A
17	4700904229	1	Washer 8,4x16x1,5	C
18	4700570005	1	Nut M8	C
20	4700904735	2	Washer	C
21	4700921031	1	Clamp	C
22	4700904228	1	Washer 6,4x12x1,5	C
23	4700500015	1	Screw M6-1x30 8,8	C
24	4700570004	1	Nut M6X1,00 -8 A2K	C



Standard ECU module

Item	Part No	Rem Qty	Description	Code
1		1	Standard ECU assembly (Page 250)	
2	4700904229	4	Washer 8,4x16x1,5	C
3	4700500019	4	Screw M8x16H 8.8 A2K	C

Standard ECU assembly

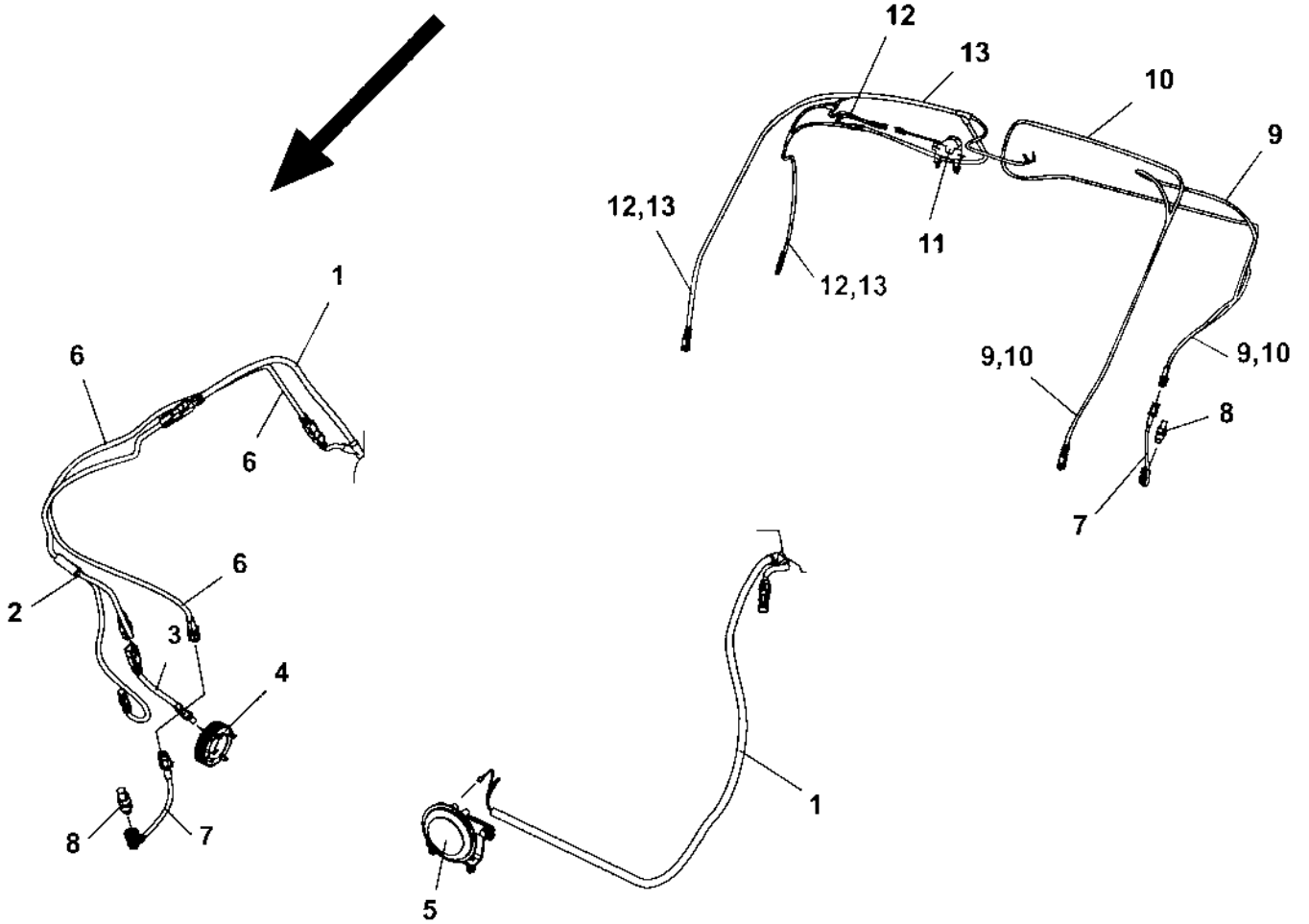


Standard ECU assembly

Item	Part No	Rem	Qty	Description	Code
1	4700391213		1	Mounting plate	
2	4700390860		1	Control unit	
3	4700791185		2	Fuse box	
4	4700791551		1	Junction block	
5	4700792309		1	Relay	D
6	4700901225		2	Fuse 5A	A
7	4700901227		3	Fuse 10A	A
8	4700903741		2	Fuse 20A Yellow Medium	A
9	4700792441		4	Cable tie with holder	
10	4700904228		5	Washer 6,4x12x1,5	C
11	4700500015		4	Screw M6-1x30 8,8	C
12	4700928467		2	Washer	C
13	4700500013		3	Screw M6-1x16 8,8	C
14	4700901767		4	Screw ST3,5x9,5 Black	C
15	4700586002		7	Lock nut M6 -8	C
16	4700791597	A	1XL	Rubber strip	
17	4700791597	B	1XL	Rubber strip	

A) L= 0,2 m
B) L= 0,1 m

Electric cables, sensors/ horn/ back-up alarm

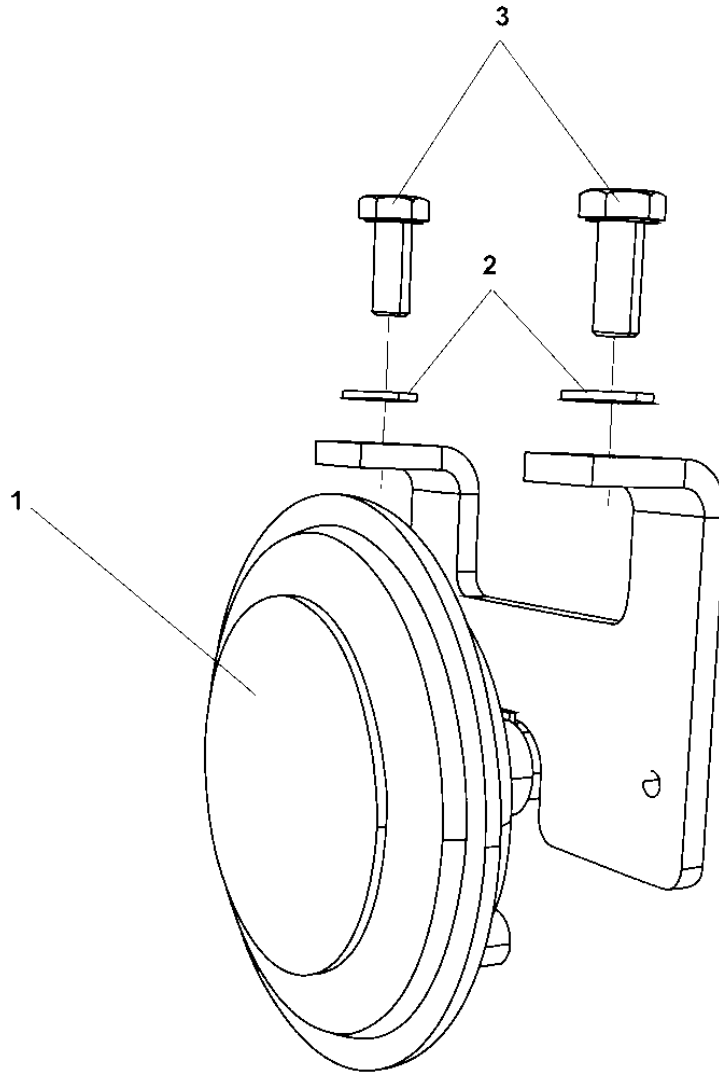


Electric cables, sensors/ horn/ back-up alarm

Item	Part No	Rem	Qty	Description	Code
1		1	1	Cable harness	
2	4700397207 A,C	1	1	Cable harness	
3	4700393762 A,C	1	1	Sensor, cpl	
4	4700391292	1	1	Gear wheel	D
	4700508048	4	4	Screw	C
5		1	1	Horn module (Page 254)	
6	4700396259 A,D	1	1	Cable harness	
7	4700396304 D	2	2	Cable harness	
8	4700390717	2	2	Frequency sensor	
9	4700396260 B,D	1	1	Cable harness	
10	4700396261 E,D	1	1	Cable harness	
11		1	1	Back-up alarm module (Page 258)	
12	4700397209 B	1	1	Cable harness	
13	4700397210 E	1	1	Cable harness	

- 1) Main harness, see section " Electric cables, power supply"
- A) Front drum
- B) Rear drum, Std
- C) Speed
- D) Frequency
- E) Rear drum, offset

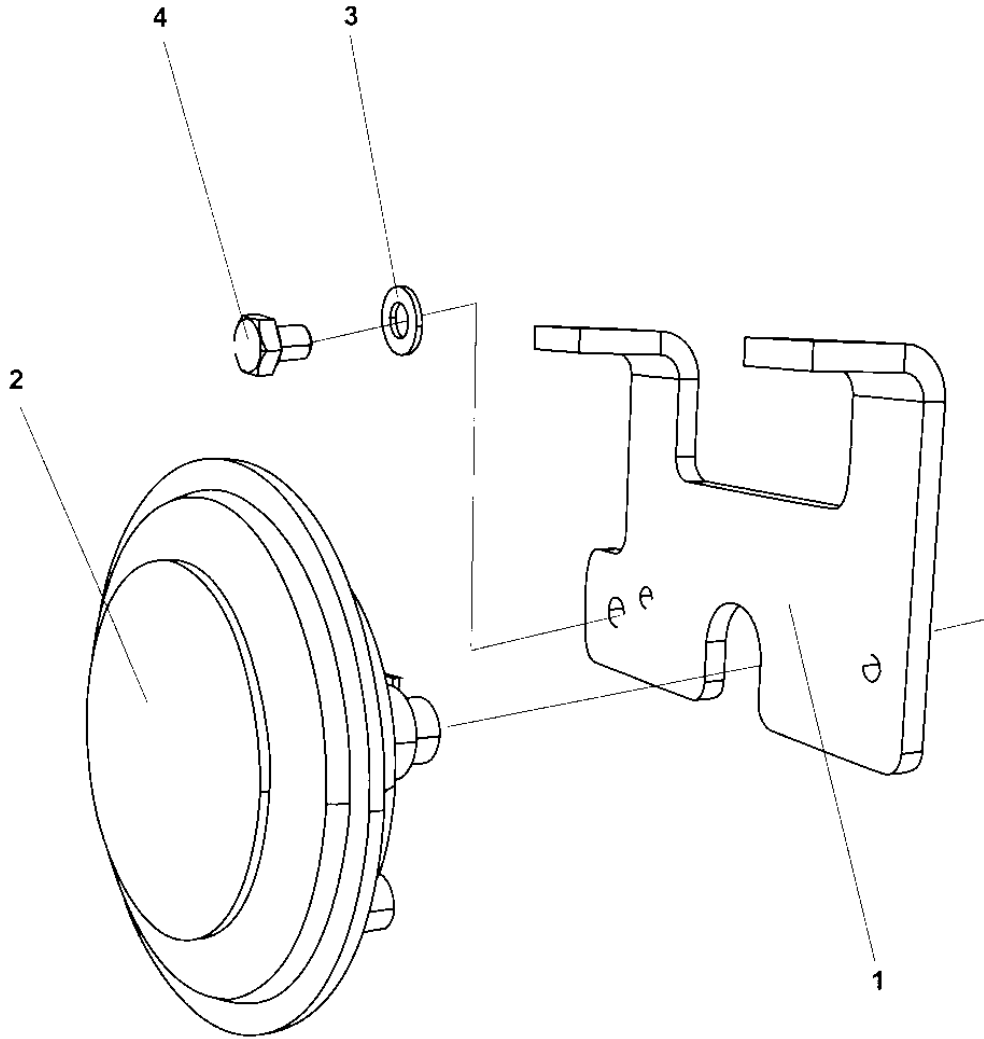
Horn module



Horn module

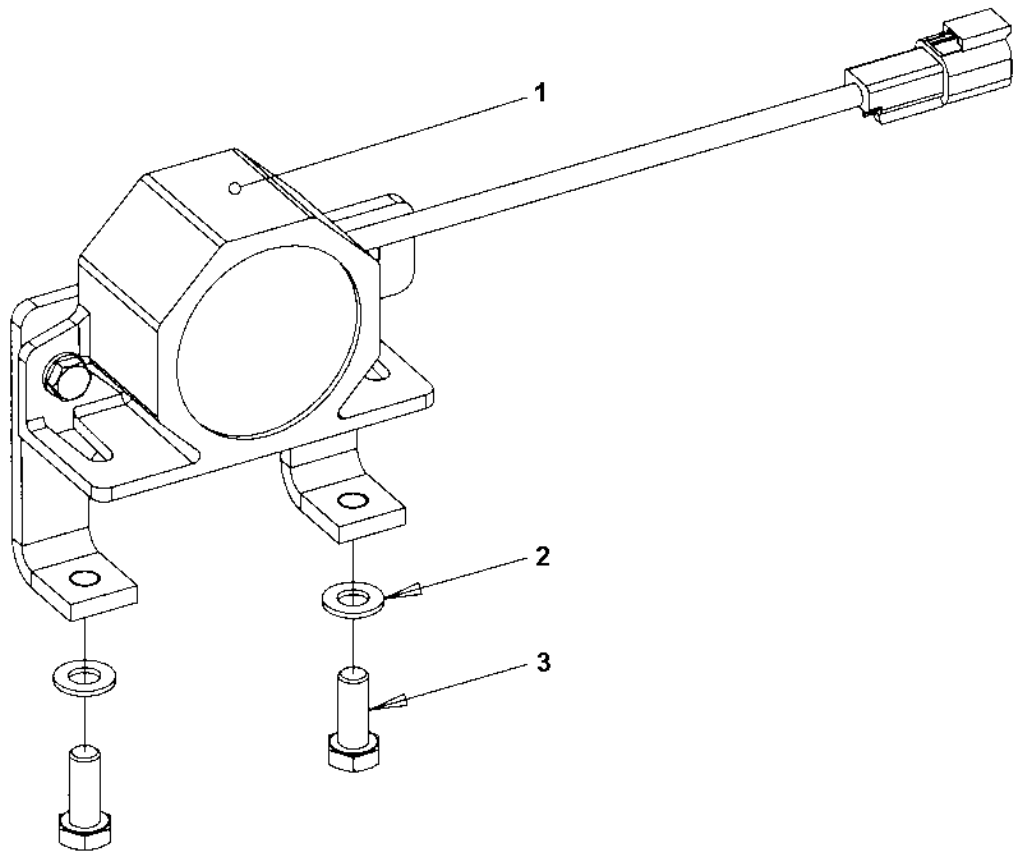
Item	Part No	Rem Qty	Description	Code
1		1	Horn (Page 256)	
2	4700904229	2	Washer 8,4x16x1,5	C
3	4700500053	2	Screw M8x20H 8.8	C

Horn



Horn

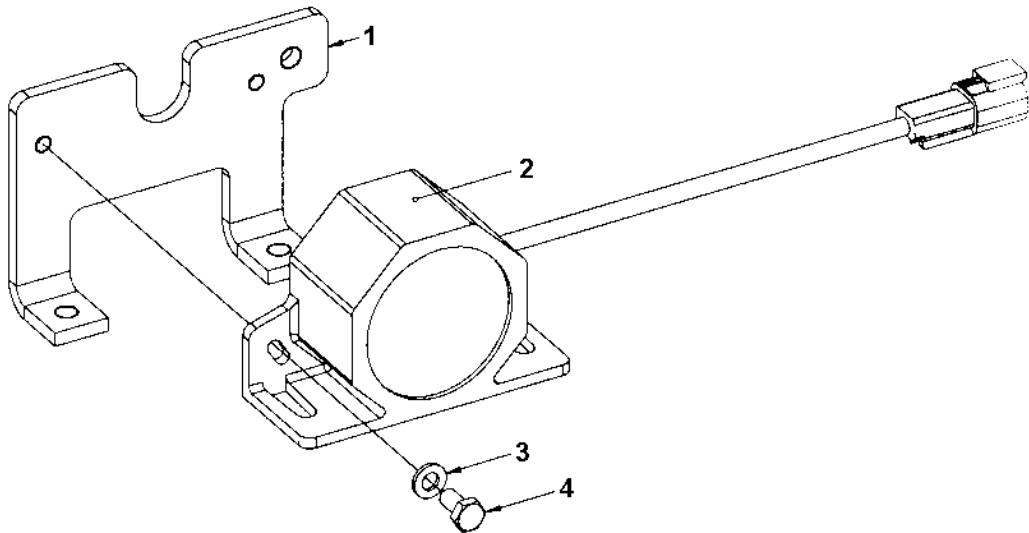
Item	Part No	Rem Qty	Description	Code
1	4700396768	1	Bracket	
2	4700999014	1	Horn	
3	4700904229	1	Washer 8,4x16x1,5	C
4	4700500042	1	Screw	



Back-up alarm module

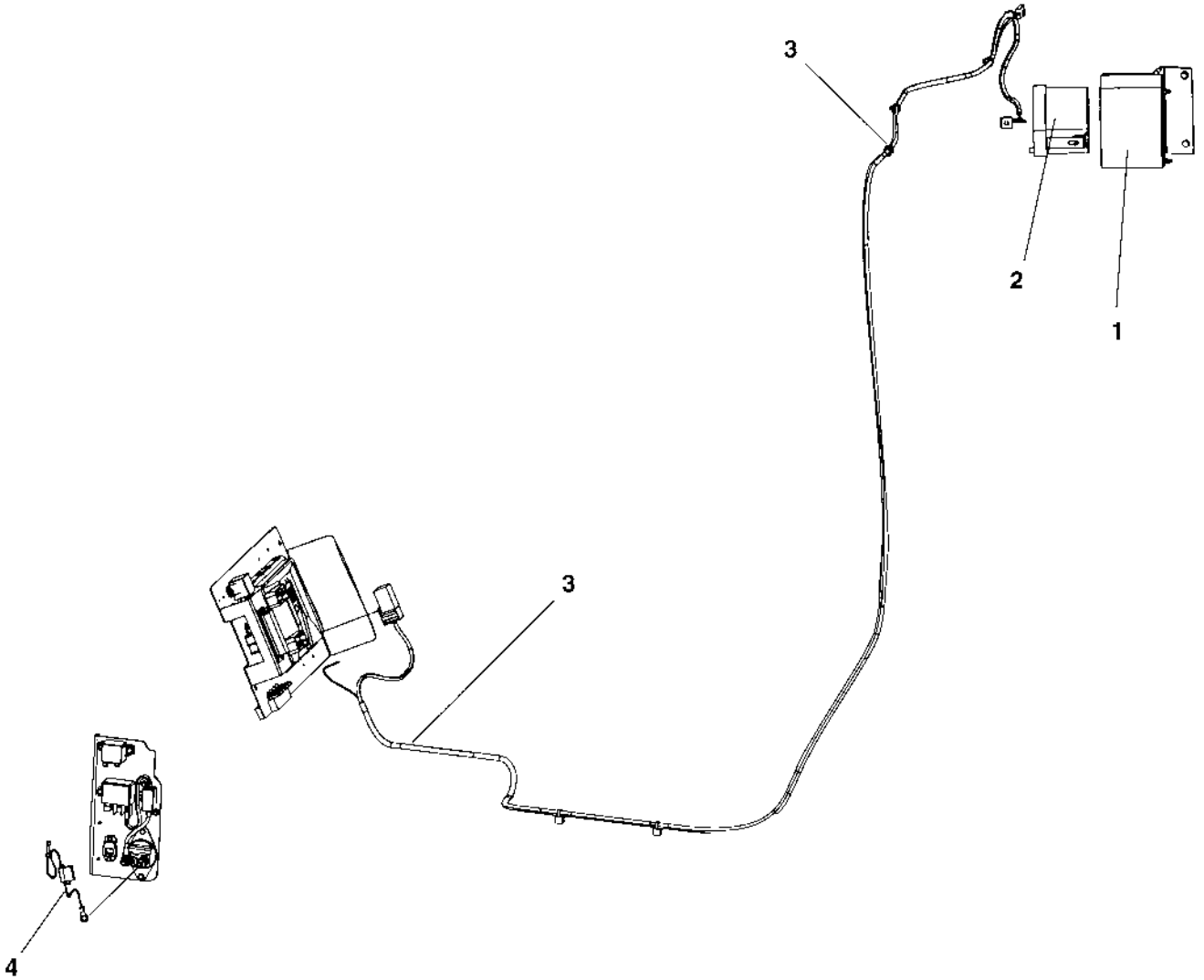
Item	Part No	Rem Qty	Description	Code
1		1	Back-up alarm (Page 260)	
2	4700904229	2	Washer 8,4x16x1,5	C
3	4700500053	2	Screw M8x20H 8.8	C

Back-up alarm



Back-up alarm

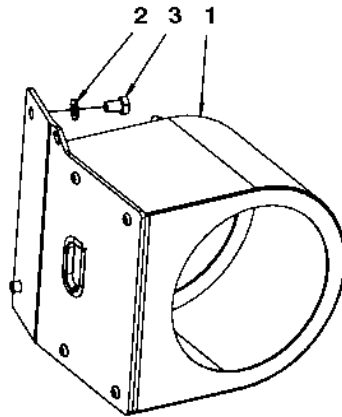
Item	Part No	Rem Qty	Description	Code
1	4700396768	1	Bracket	
2	4700904911	1	Back-up alarm 97 dB	
3	4700904228	2	Washer 6,4x12x1,5	C
4	4700500012	2	Screw M6x12	C



Tachograph

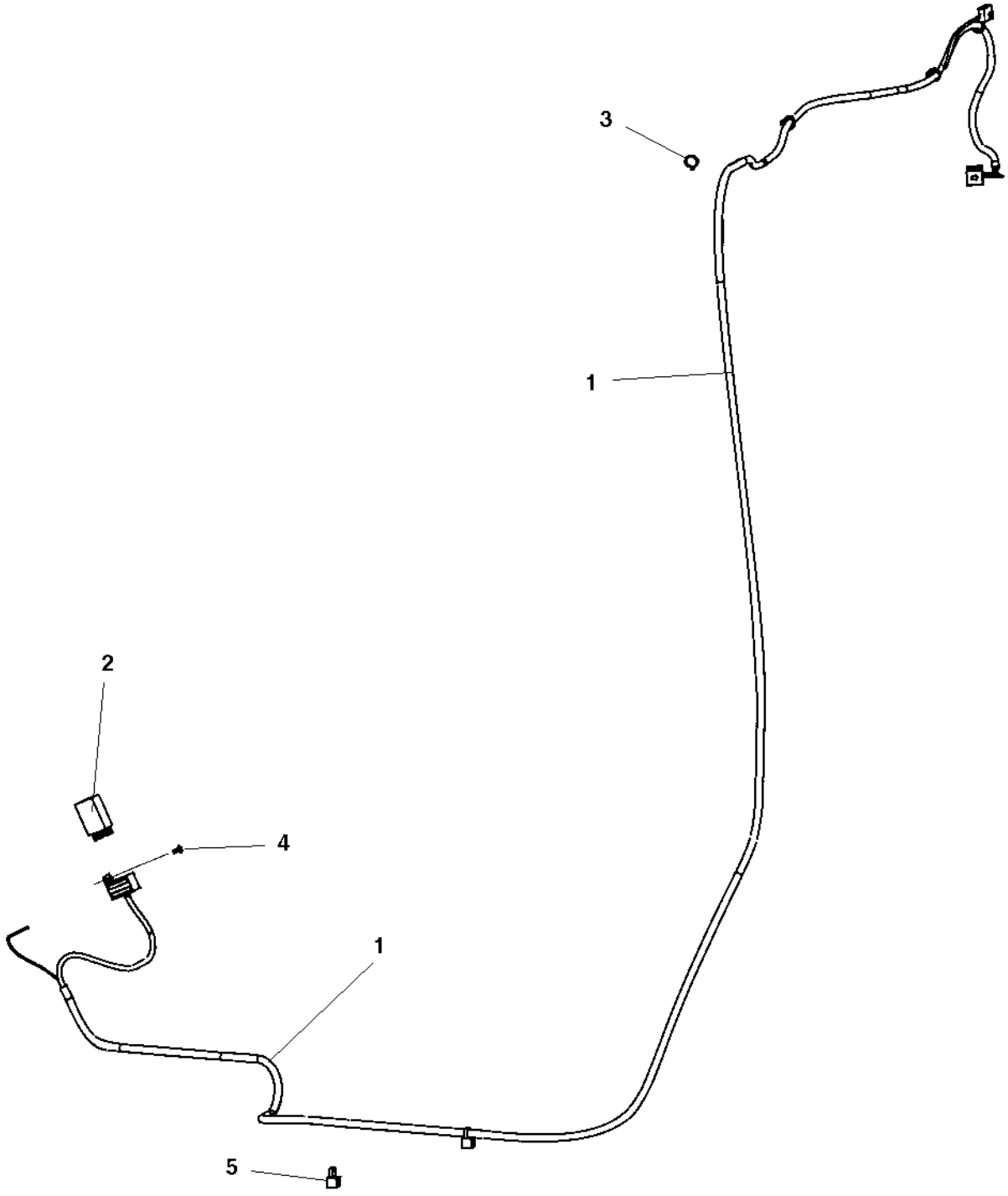
Item	Part No	Rem Qty	Description	Code
1		1	Tachograph holder module (Page 264)	
2	4700395226	1	Tachograph	
3		1	Cable harness kit (Page 266)	
4		1	Power supply module (Page 268)	

Tachograph holder module



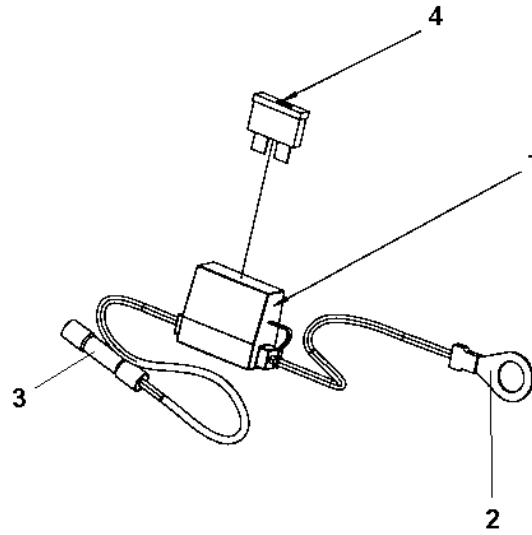
Tachograph holder module

Item	Part No	Rem Qty	Description	Code
1	4700393776	1	Tachograph holder	
2	4700904229	2	Washer 8,4x16x1,5	C
3	4700500018	2	Screw M8-1,25x12 8,8	C



Cable harness kit

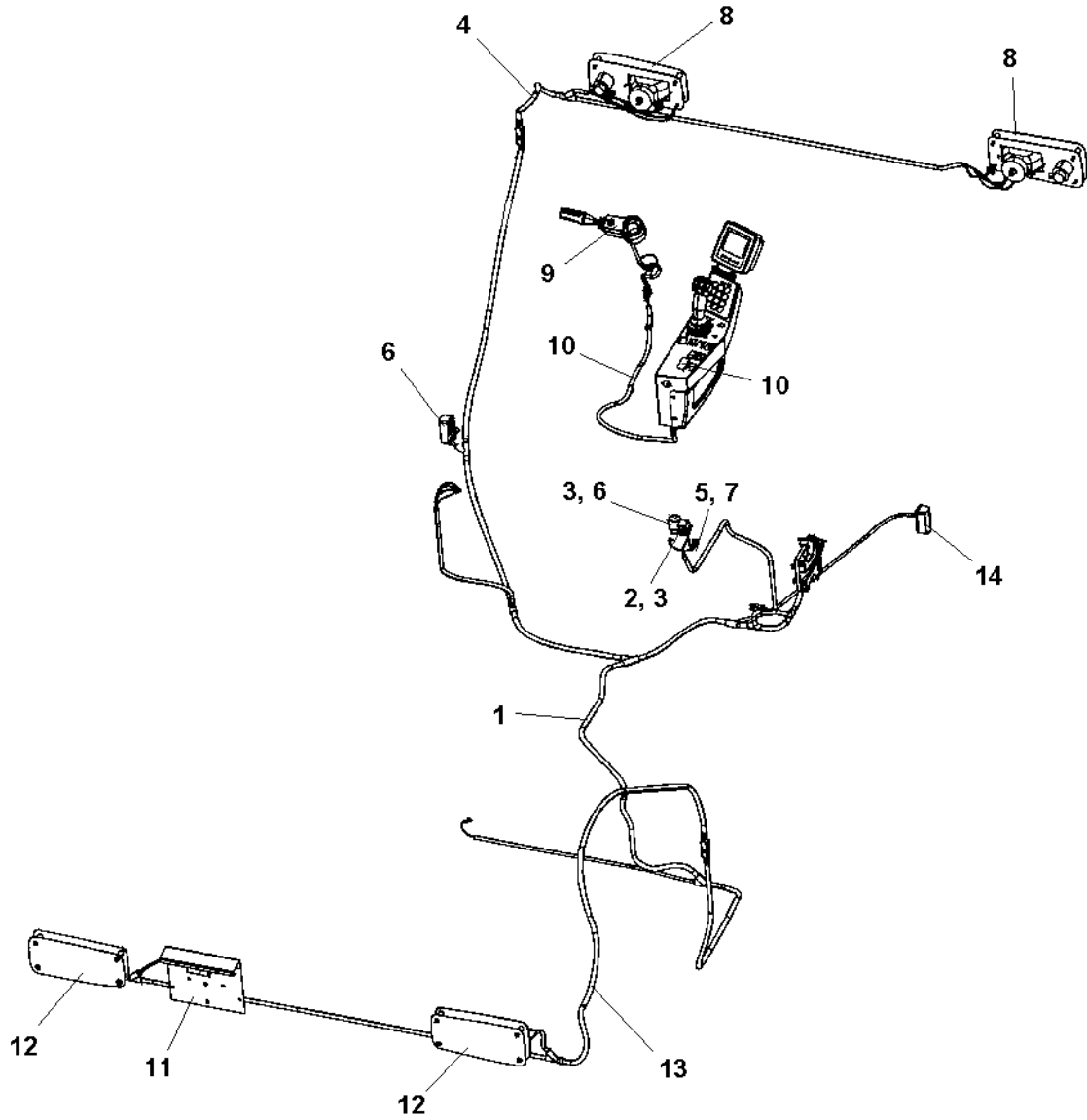
Item	Part No	Rem Qty	Description	Code
1	4700394931	1	Cable harness	
2	4700395023	1	Frequency converter	
3	4700313041	8	Cable ties	D
4	4700792210	1	Screw torx	
5	4700792667	2	Cable tie with holder	



Power supply module

Item	Part No	Rem Qty	Description	Code
1	4700904015	1	Fuse holder	D
2	4700960067	1	Cable clip	
3	4700904024	1	Splicing sleeve	
4	4700901227	1	Fuse 10A	A

Driving & side direction lights

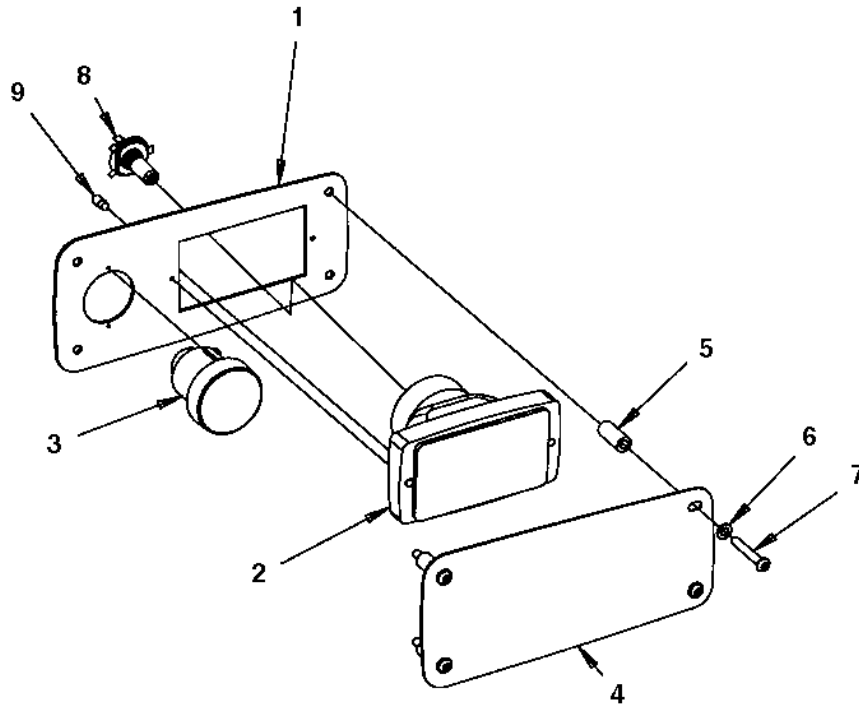


Driving & side direction lights

Item	Part No	Rem	Qty	Description	Code
1	4812110899		1	Cable harness	
2	4700792422		1	Relay	
3	4700792210		2	Screw torx	
4	4812110902	A	1	Cable harness	
5	4700901227		1	Fuse 10A	A
6	4811000163		1	Flash relay	
7	4700901226		1	Fuse 7.5A	A
8			2	Driving lights, front RH (Page 272)	
			2	Driving lights, front LH (Page 274)	
9			1	Steering column switch module (Page 276)	
10			1	Cable harness and switch module (Page 278)	
11			1	Registration plate light module (Page 280)	
12			2	Driving lights, rear (Page 284)	
13	4812110903		1	Cable harness Std	
	4812110904		1	Cable harness Off-set	
14			2	Turn signals (Page 286)	

A) Front

Driving lights, front RH

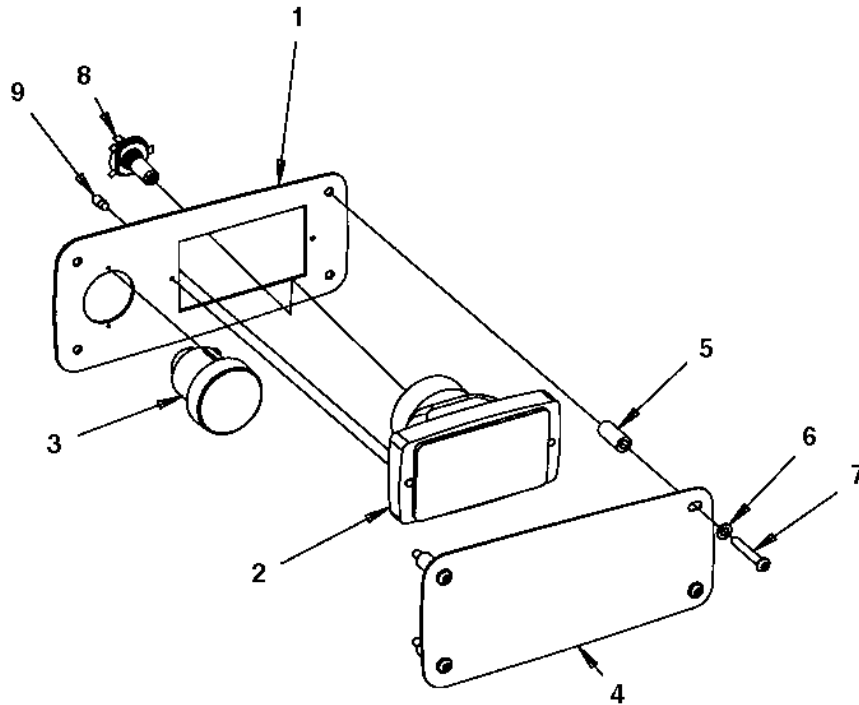


Driving lights, front RH

Item	Part No	Rem	Qty	Description	Code
1	4700390434		1	Lights bracket	
2	4700791951		1	Headlight	
3	4700792521		1	Direction indicator	
4	4700390436		1	Protecting cover	
5	4700391115		4	Spacer sleeve	
6	4700904229		4	Washer 8,4x16x1,5	C
7	4700792361		4	Hexagon socket head cap screw	
	4700904956	1	4	Screw	
8	4700792353		1	Bulb 24V 75/70W H4	
9	4700792350		1	Bulb 24V 2W	

1) Used when no protection cover (item 4-5) mounted.

Driving lights, front LH

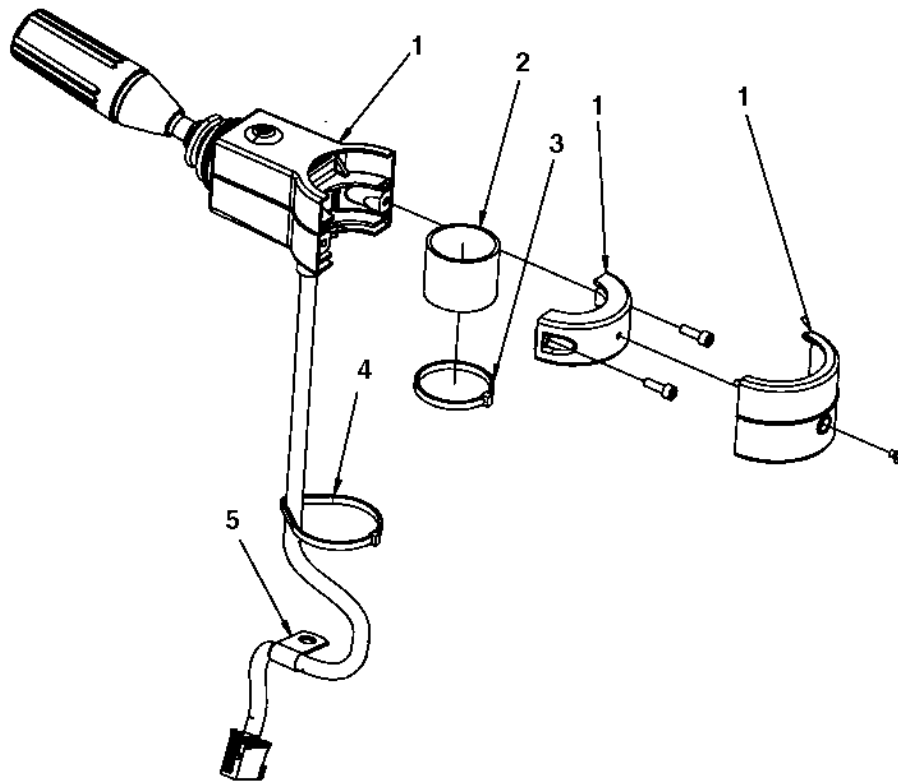


Driving lights, front LH

Item	Part No	Rem	Qty	Description	Code
1	4700390434		1	Lights bracket	
2	4700792059		1	Headlight	
3	4700792521		1	Direction indicator	
4	4700390436		1	Protecting cover	
5	4700391115		4	Spacer sleeve	
6	4700904229		4	Washer 8,4x16x1,5	C
7	4700792361		4	Hexagon socket head cap screw	
	4700904956	1	4	Screw	
8	4700792353		1	Bulb 24V 75/70W H4	
9	4700792350		1	Bulb 24V 2W	

1) Used when no protection cover (item 4-5) mounted

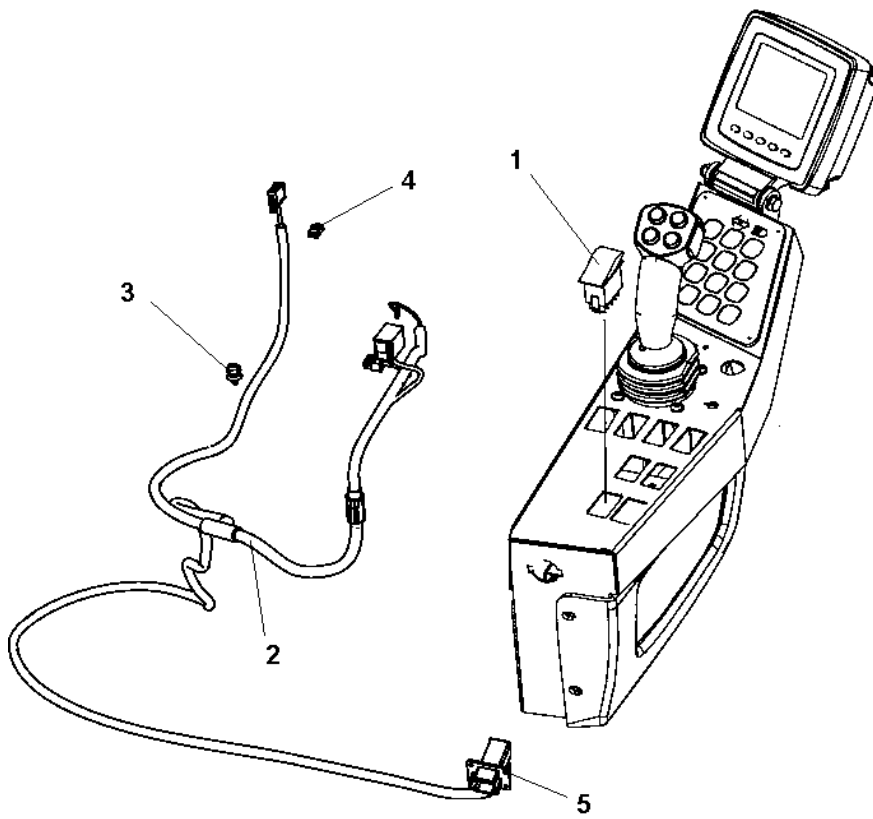
Steering column switch module



Steering column switch module

Item	Part No	Rem Qty	Description	Code
1	4700392450	1	Steering column switch	
2	4700392451	1	Rubber cloth	
3	4700313041	1	Cable ties	D
4	4700792609	1	Cable ties	
5	4700921080	1	Clamp	C

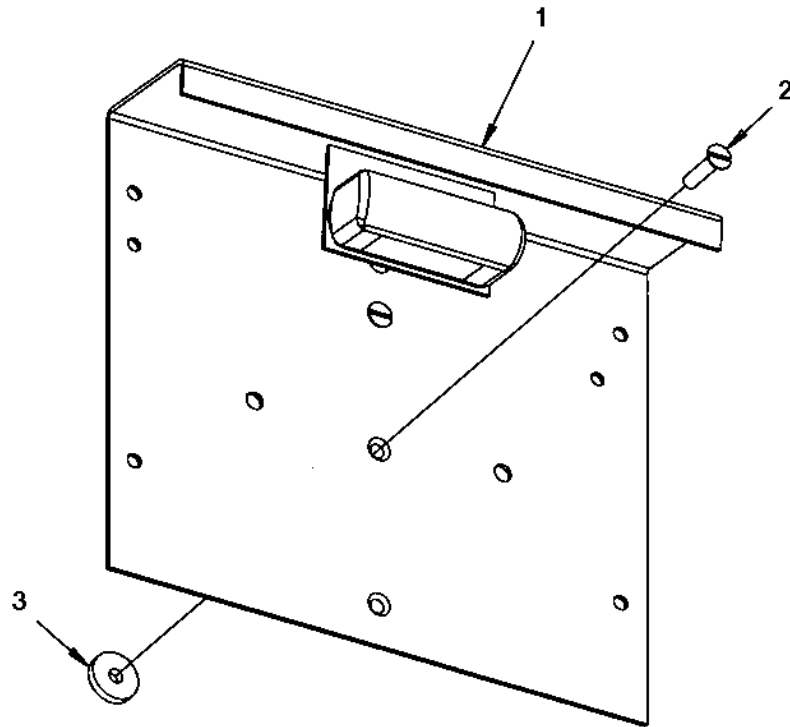
Cable harness and switch module



Cable harness and switch module

Item	Part No	Rem Qty	Description	Code
1	4700792398	1	Switch	
2	4812110898	1	Cable harness	
3	4700792441	1	Cable tie with holder	
4	4700792537	1	Cable tie with holder	
5	4700791709	4	Pop rivet	C

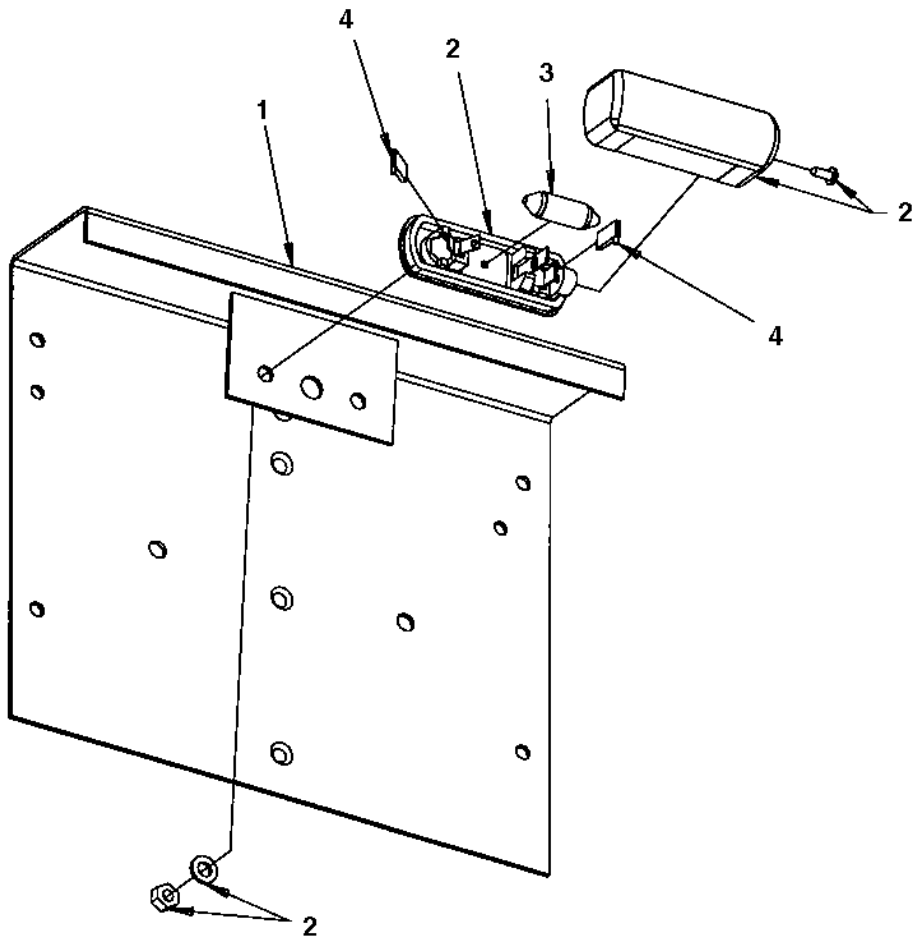
Registration plate light module



Registration plate light module

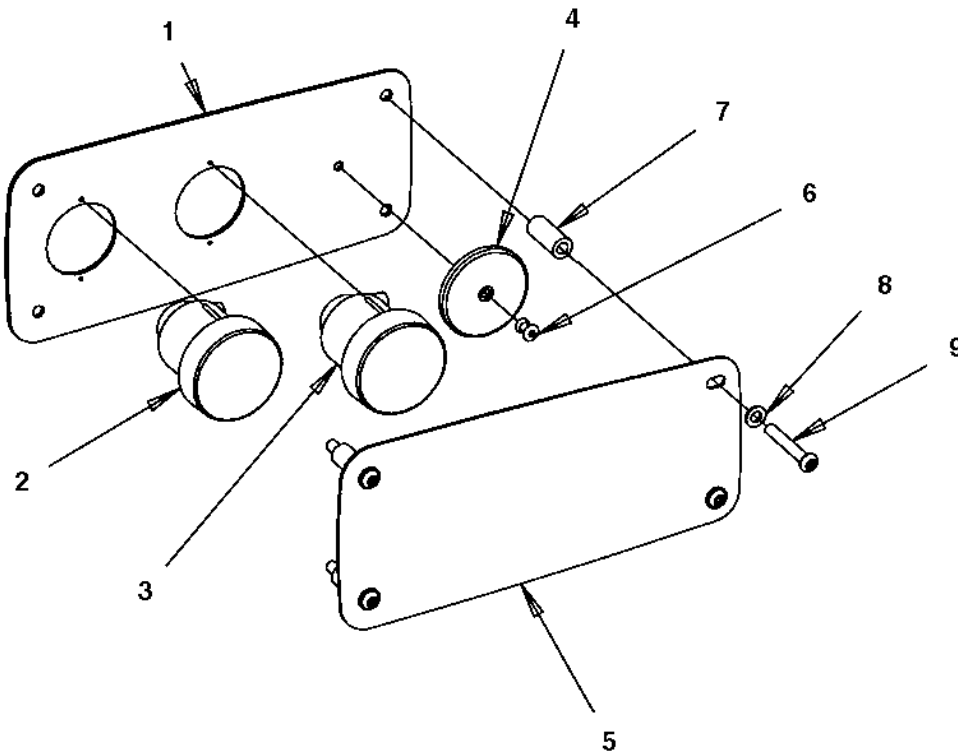
Item	Part No	Rem Qty	Description	Code
1		1	Registration plate light (Page 282)	
2	4700535017	2	Screw	
3	4700904735	2	Washer	C

Registration plate light



Registration plate light

Item	Part No	Rem Qty	Description	Code
1	4700355797	1	Licence plate holder	D
2	4700929455	1	Licence plate light	D
3	4700792354	1	Bulb 24V 5W	
4	4700792035	2	Push-on terminal	

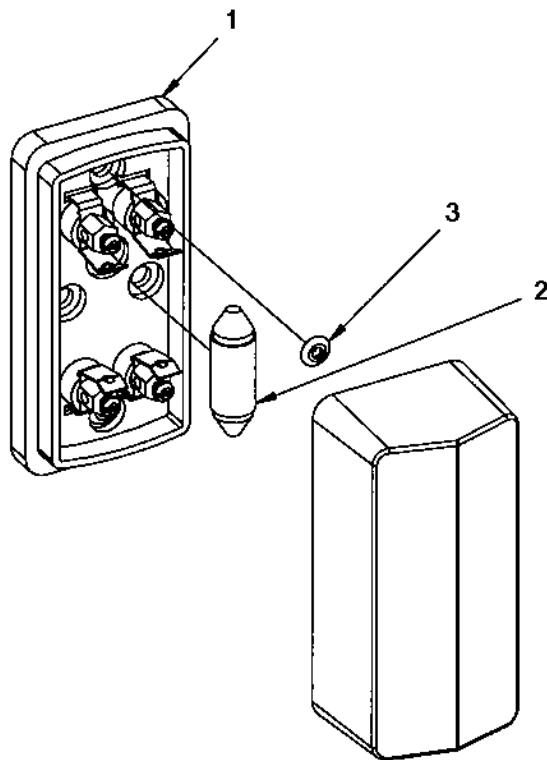


Driving lights, rear

Item	Part No	Rem	Qty	Description	Code
1	4700390435		1	Lights bracket	
2	4700792520		1	Direction indicator	
	4700792349		1	. Bulb 24V 21W	
3	4700792519		1	Brake/position light	
	4700792351		1	. Bulb 24V 21/5W	
4	4700791956		1	Reflector, red	
5	4700390436		1	Protecting cover	
6	4700791754		1	Blind rivet	
7	4700391115		4	Spacer sleeve	
8	4700904229		4	Washer 8,4x16x1,5	C
9	4700792361		4	Hexagon socket head cap screw	
	4700904956	1	4	Screw	

1) Used when no protection cover (item 5,7) mounted

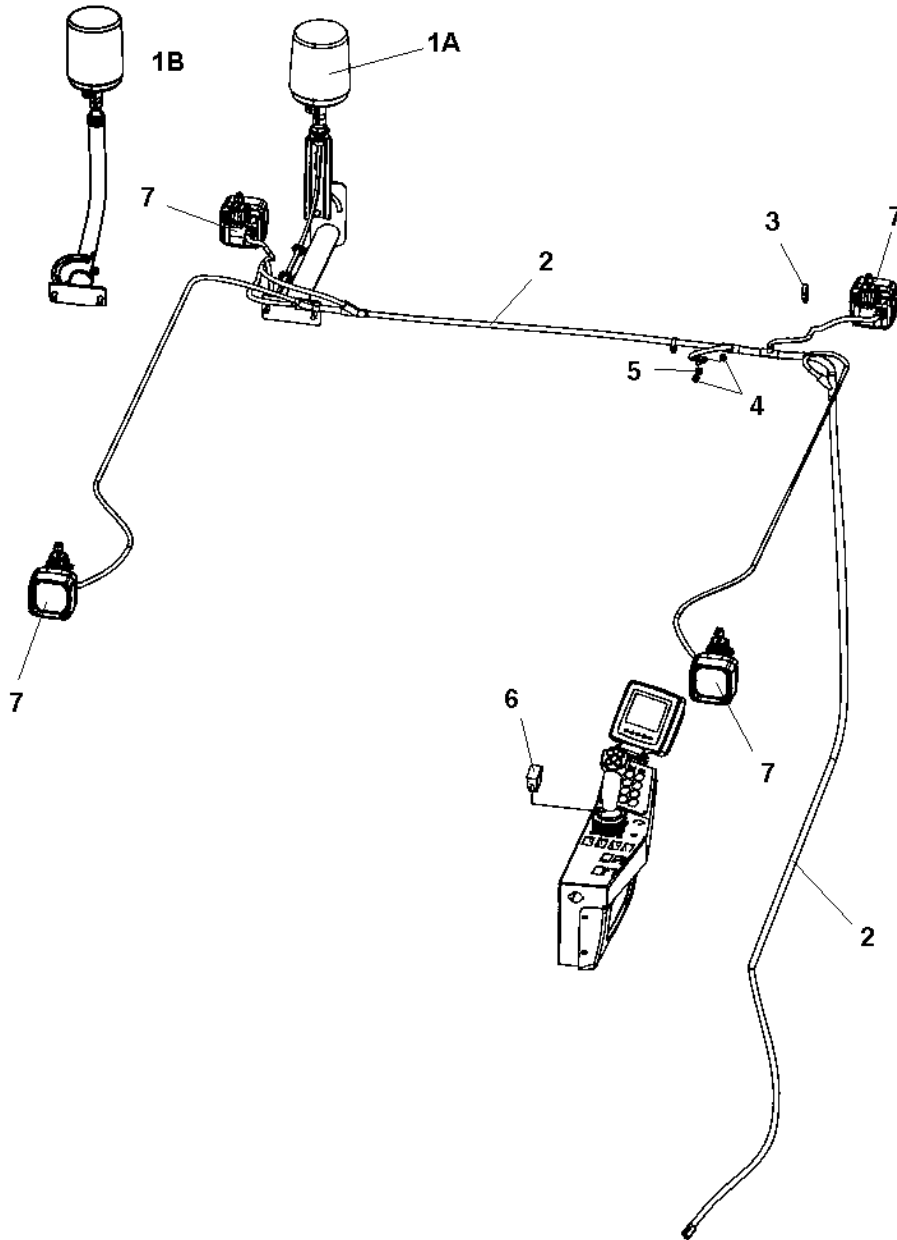
Turn signals



Turn signals

Item	Part No	Rem Qty	Description	Code
1	4700902064	1	Direction lights	B
2	4700792354	1	Bulb 24V 5W	
3	4700923253	2	Rivet	C

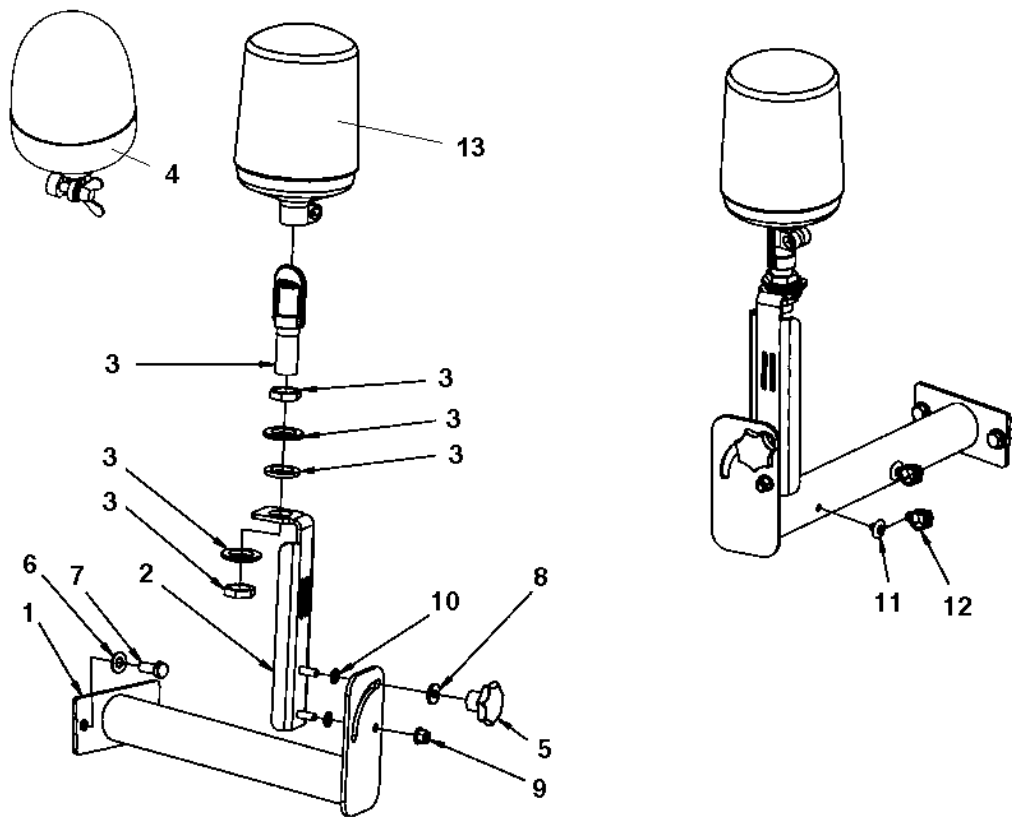
Rotating beacon, working light



Rotating beacon, working light

Item	Part No	Rem Qty	Description	Code
1-A		1	Rotating beacon module (Page 290)	
1-B		1	Rotating beacon module (Page 292)	
2	4700391957	1	Cable harness	
3	4700313102	N	Cable ties	D
4	4700570005	2	Nut M8	C
5	4700904229	1	Washer 8,4x16x1,5	C
6	4700792397	1	Switch	
7		4	Working light module H3 (Page 296)	
		4	Working light module Xenon (Page 298)	

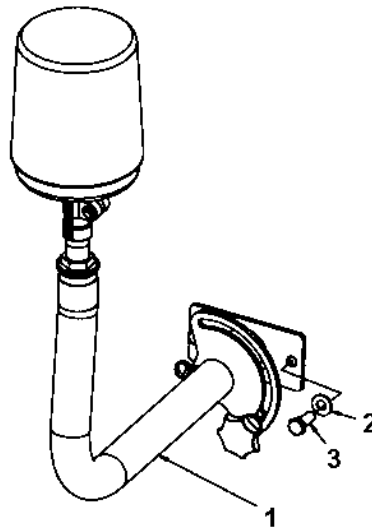
Rotating beacon module



Rotating beacon module

Item	Part No	Rem Qty	Description	Code
1	4700393590	1	Bracket	
2	4700392158	1	Bracket	
3	4700392321	1	Bracket	
4	4812111326	1	Rotating beacon	
	4812156057	1	. Lens	
5	4700792410	1	Star knob	
6	4700904230	2	Steel plain washer	C
7	4700500028	2	Screw	C
8	4700904640	1	Washer 8,4x22x3	C
9	4700902286	1	Hexagon lock nut with flange	C
10	4700904229	2	Washer 8,4x16x1,5	C
11	4700792419	2	T-stud	
12	4700792417	2	Wiring clip	
13	4812156056	1	Lens	

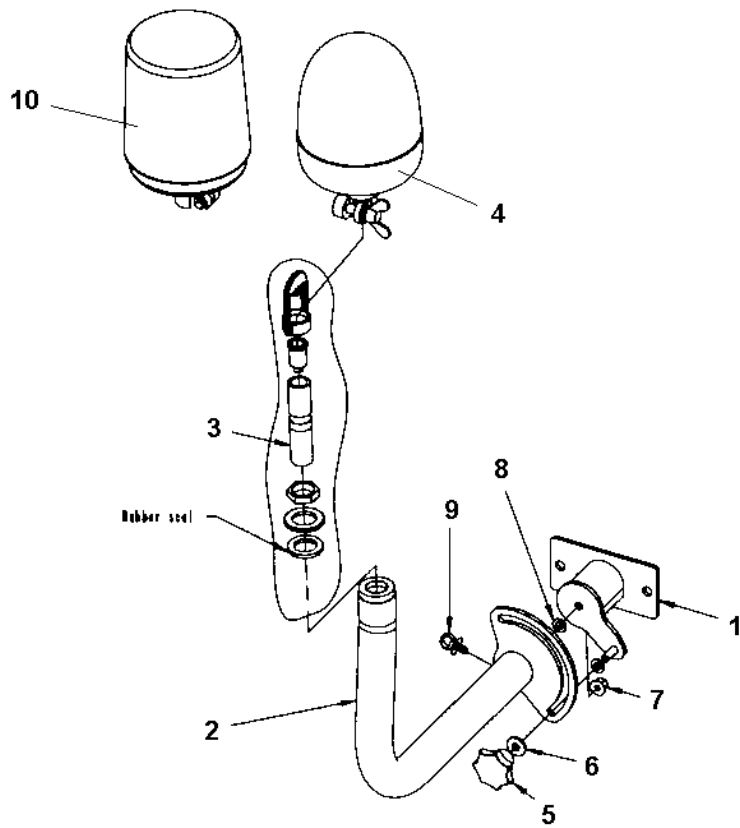
Rotating beacon module



Rotating beacon module

Item	Part No	Rem Qty	Description	Code
1		1	Rotating beacon mount (Page 294)	
2	4700904230	2	Steel plain washer	C
3	4700500028	2	Screw	C

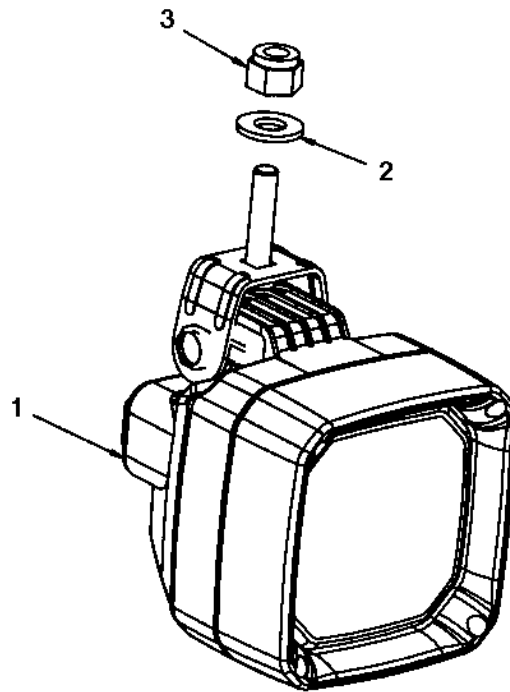
Rotating beacon mount



Rotating beacon mount

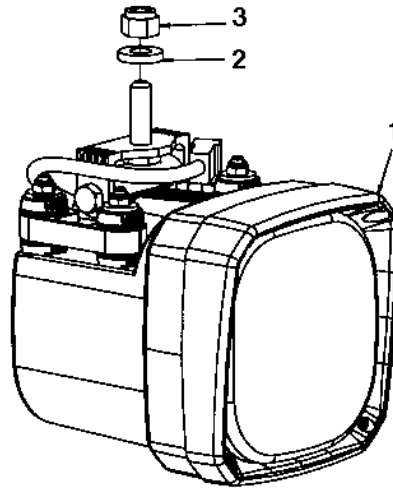
Item	Part No	Rem Qty	Description	Code
1	4700397516	1	Bracket	
2	4700397517	1	Arm	
3	4700392321	1	Bracket	
4	4812111326	1	Rotating beacon	
	4812156057	1	. Lens	
5	4700792410	1	Star knob	
6	4700904640	1	Washer 8,4x22x3	C
7	4700902286	1	Hexagon lock nut with flange	C
8	4700904229	2	Washer 8,4x16x1,5	C
9	4700792441	1	Cable tie with holder	
10	4812156056	1	Lens	

Working light module H3



Working light module H3

Item	Part No	Rem Qty	Description	Code
1	4700392033	1	Working light	
	4700792352	1	. Bulb	
2	4700904230	1	Steel plain washer	C
3	4700586018	1	Lock nut	C

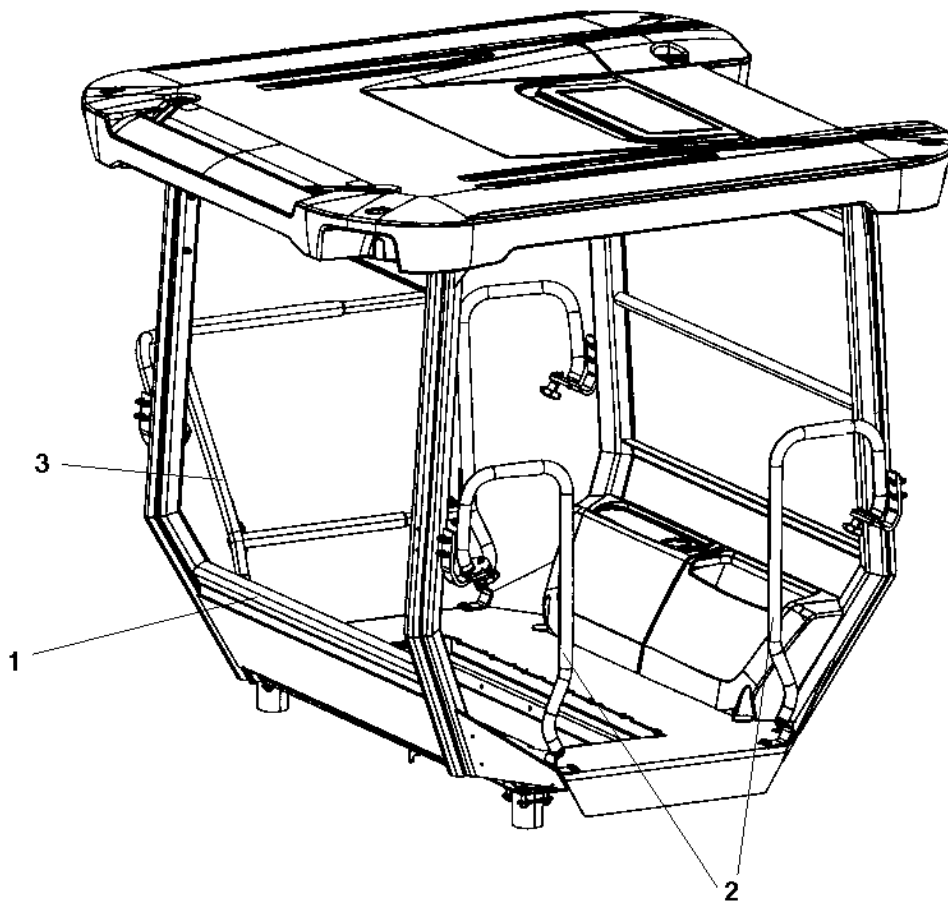


Working light module Xenon

Item	Part No	Rem Qty	Description	Code
1	4700393538	1	Xenon lamp	
2	4700904557	1	Steel plain washer	C
3	4700586018	1	Lock nut	C

Drivers platform

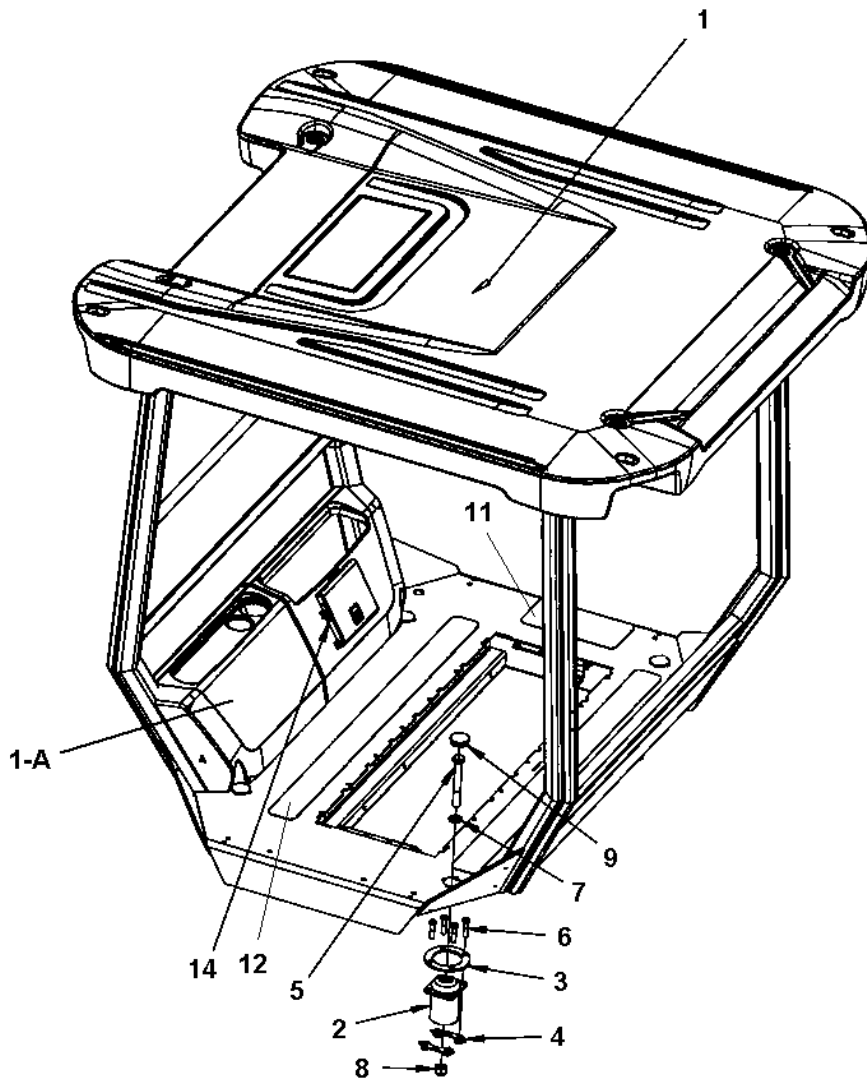
Item	Part No	Rem Qty	Description	Code
1			Platform, no cab (Page 302)	
2			Canopy (Page 326)	
3			Cab, asymmetric (Page 332)	
4			Cab heater system (Page 362)	
5			Cab noise cover (Page 366)	
6			Radio and cd player (Page 368)	
7		2	Rear view mirror module (Page 370)	
8			Drivers seat (Page 372)	



Platform, no cab

Item	Part No	Rem Qty	Description	Code
1		1	Platform with 4-post ROPS (Page 304)	
		1	Platform no ROPS (Page 308)	
2		1	Hand rail, left (Page 314)	
3		1	Hand rail, right (Page 318)	
8		1	Lunch box module (Page 324)	

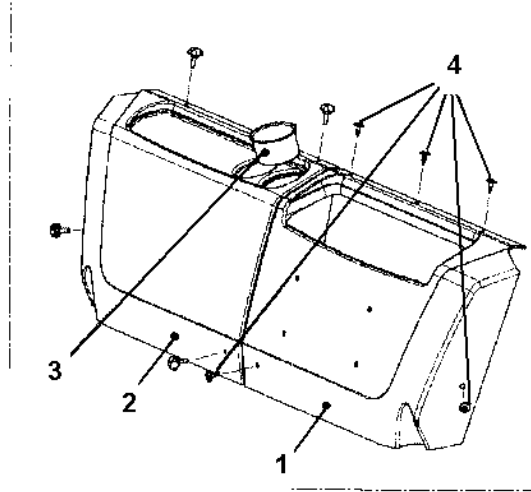
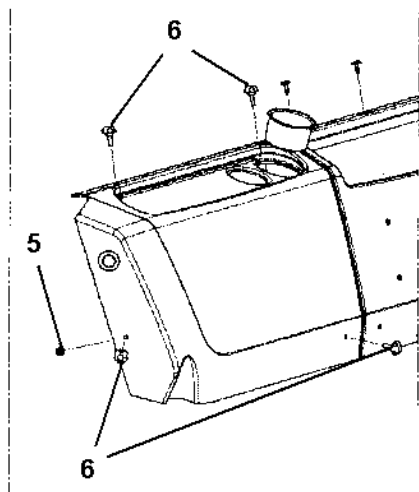
Platform with 4-post ROPS



Platform with 4-post ROPS

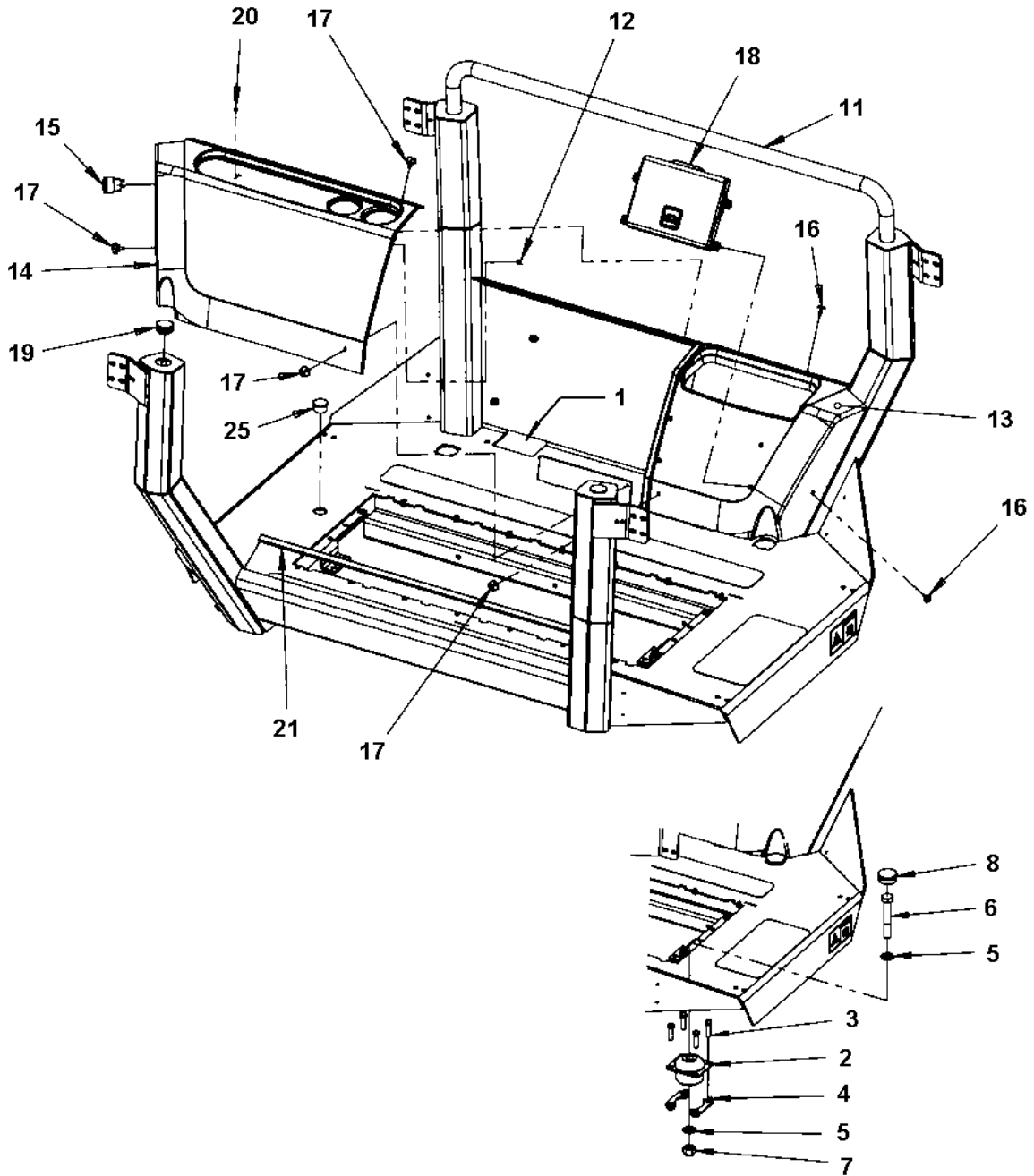
Item	Part No	Rem Qty	Description	Code
1	4700395760	1	Platform with 4-post ROPS	
	4700395770	1	. Roof	
1-A		1	. Rear covers (Page 306)	
2	4700384855	4	Shock absorber	
3	4700359998	4	Back-up ring	C
4	4700393525	8	Holder	
5	4700903633	4	Screw M20x150 10,9	
6	4700500195	16	Screw	C
7	4700904233	4	Steel plain washer	C
8	4700901145	4	Lock nut M20-10	
9	4700904131	4	Plug	
11	4700373363	1	Slip protection	D
12	4700370059	2	Slip protection	D
13		1	Manual box (Page 312)	

Rear covers



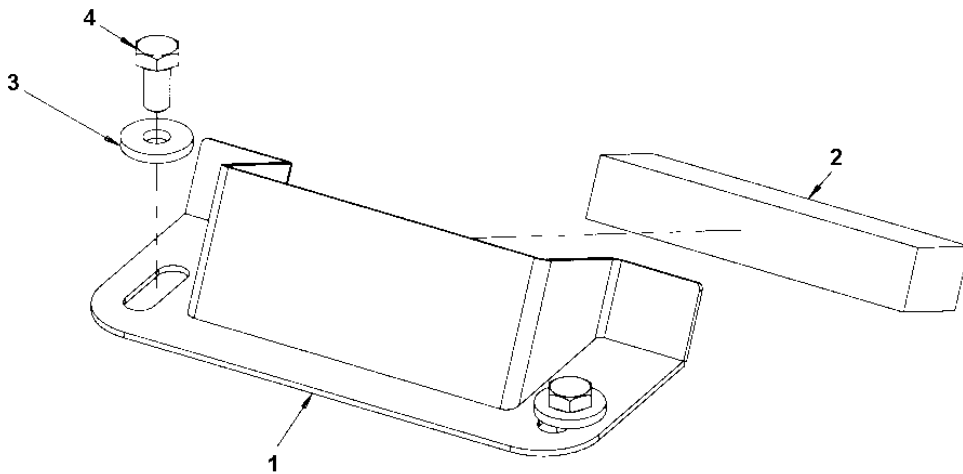
Rear covers

Item	Part No	Rem Qty	Description	Code
1	4700395782	1	Rear cover, left	
2	4700395783	1	Rear cover, right	
3	4700395784	1	Mug holder	
4	4700395785	4	Expansion rivet	
5		1	Nut	
6	4700395786	4	Knob	



Platform no ROPS

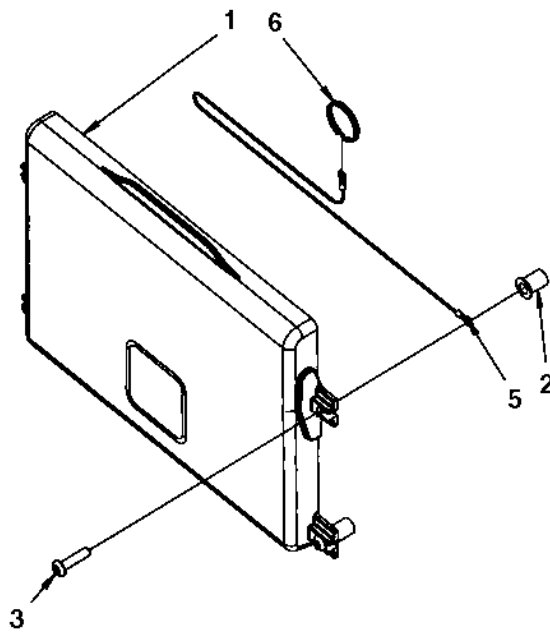
Item	Part No	Rem Qty	Description	Code
1		1	Cover module (Page 310)	
2	4700373399	4	Shock absorber	D
3	4700500194	16	Screw	C
4	4700393525	8	Holder	
5	4700904233	8	Steel plain washer	C
6	4700500228	4	Screw M20-2,5x120 8,8	C
7	4700901145	4	Lock nut M20-10	
8	4700395840	4	Plug	
11	4812110827	1	Platform cpl	
12	4812110586	1	. Cage nut	
13	4700395782	1	. Rear cover, left	
14	4700395783	1	. Rear cover, right	
15	4700395816	1	. Plug socket 24V	
16	4700395785	3	. Expansion rivet	
17	4700395786	5	. Knob	
18		1	. Manual box (Page 312)	
19	4700792449	2	. Protective plug	
20	4700902804	2	. Plug	
21	4700902379	1XL	. Edge trim	C
22	4700373363	1	. Slip protection	D
23	4700370059	2	. Slip protection	D
25	4700901446	1	. Plug	



Cover module

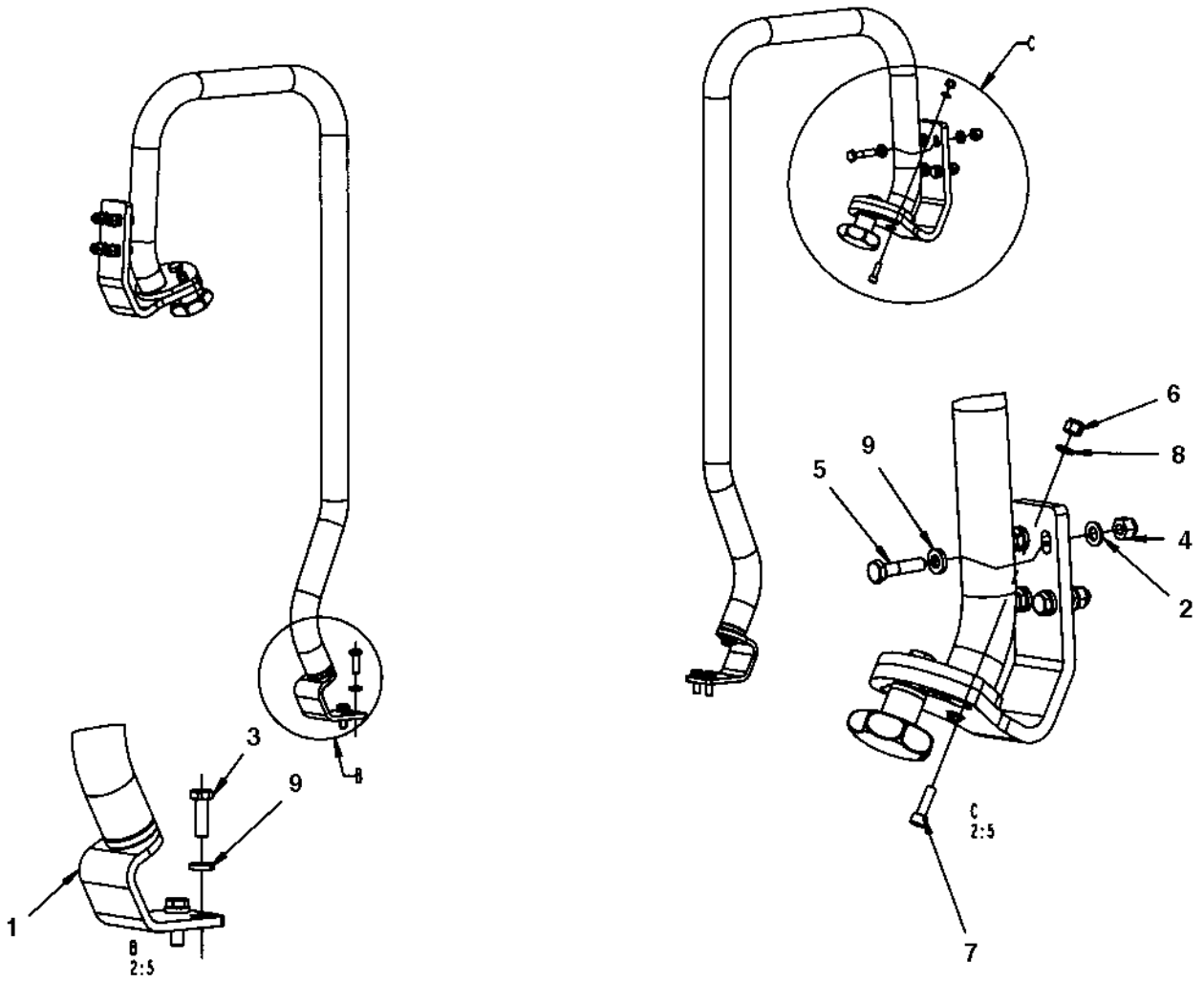
Item	Part No	Rem	Qty	Description	Code
1	4700396923		1	Cover plate	
2	4700792796	A	1	Rubber strip 25x20	
3	4700904640		2	Washer 8,4x22x3	C
4	4700500019		2	Screw M8x16H 8.8 A2K	C

A) L = 0,112 m



Manual box

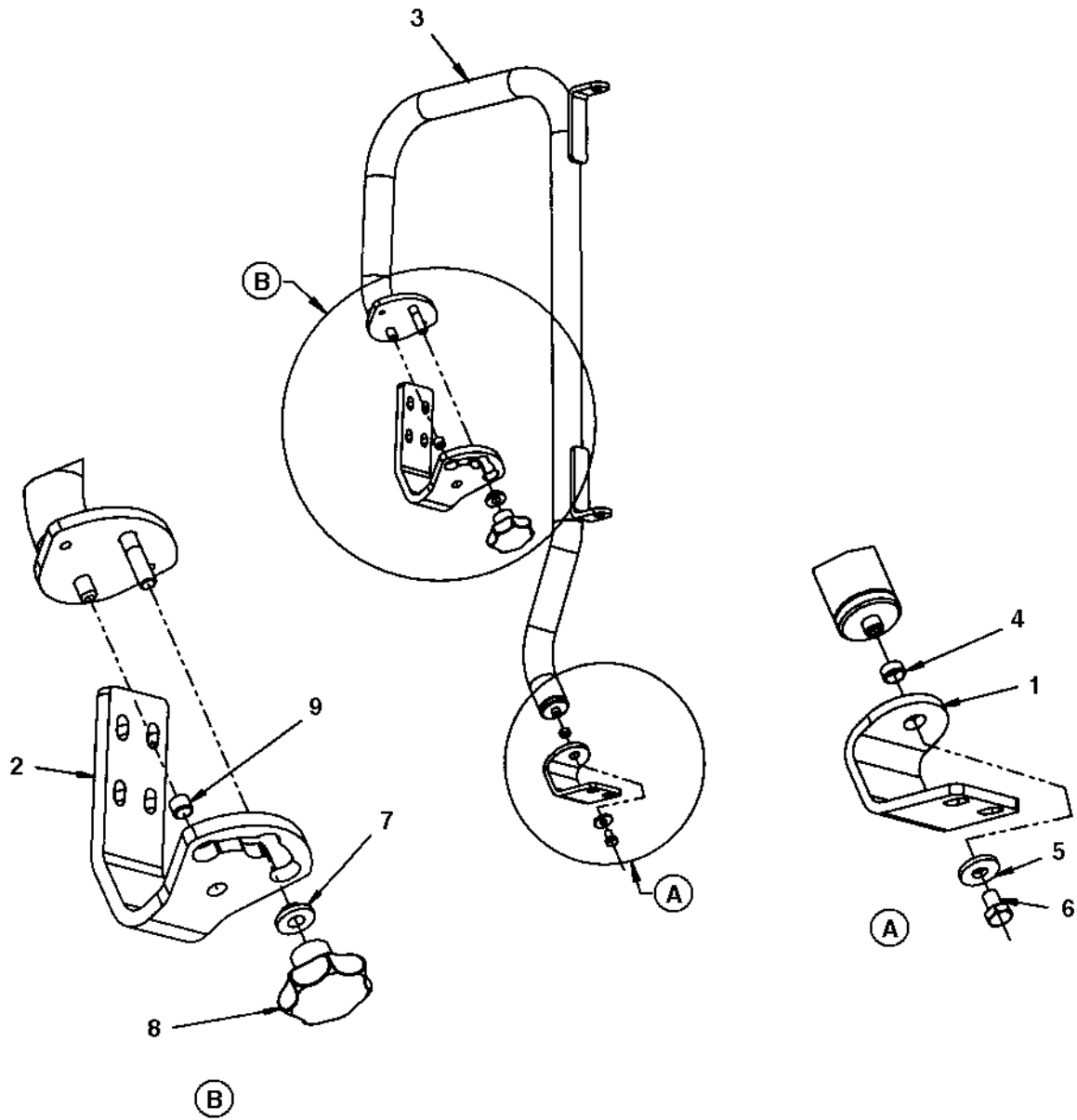
Item	Part No	Rem Qty	Description	Code
1	4700383705	1	Instruction book holder	D
2	4700792536	4	Rubber nut	
3	4700792589	4	Screw	
5	4700384584	1	Wire	
6	4700358254	1	Key-ring	D



Hand rail, left

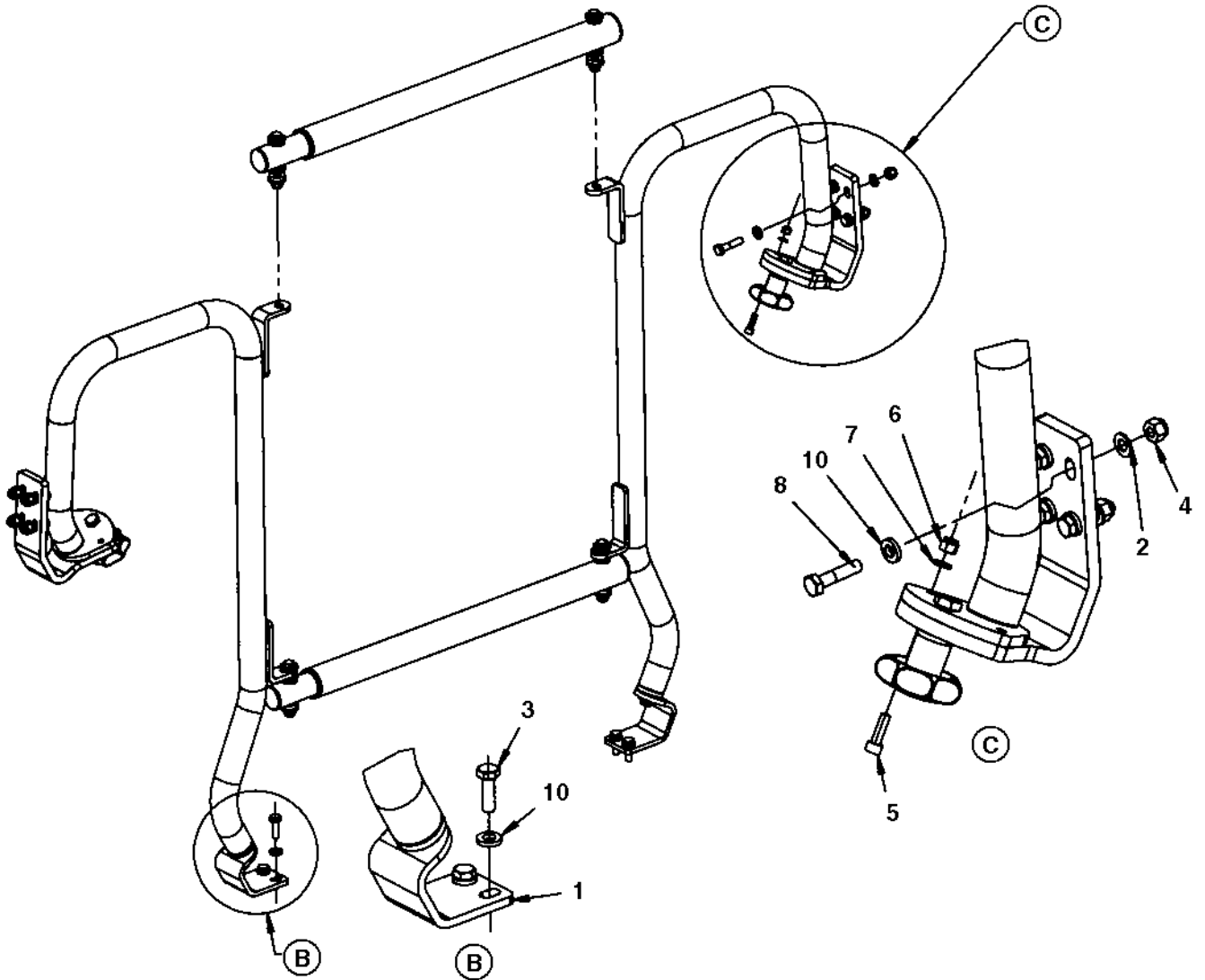
Item	Part No	Rem Qty	Description	Code
1		2	Hand rail (Page 316)	
2	4700904229	8	Washer 8,4x16x1,5	C
3	4700500021	4	Screw M8-1,25x25 8.8	C
4	4700586003	8	Lock nut M8	C
5	4700500047	8	Hexagon head screw	C
6	4700586002	2	Lock nut M6 -8	C
7	4700508025	2	Screw M6x20	
8	4700904228	2	Washer 6,4x12x1,5	C
9	4700904556	12	Washer 8,4x16x3,0	C

Hand rail



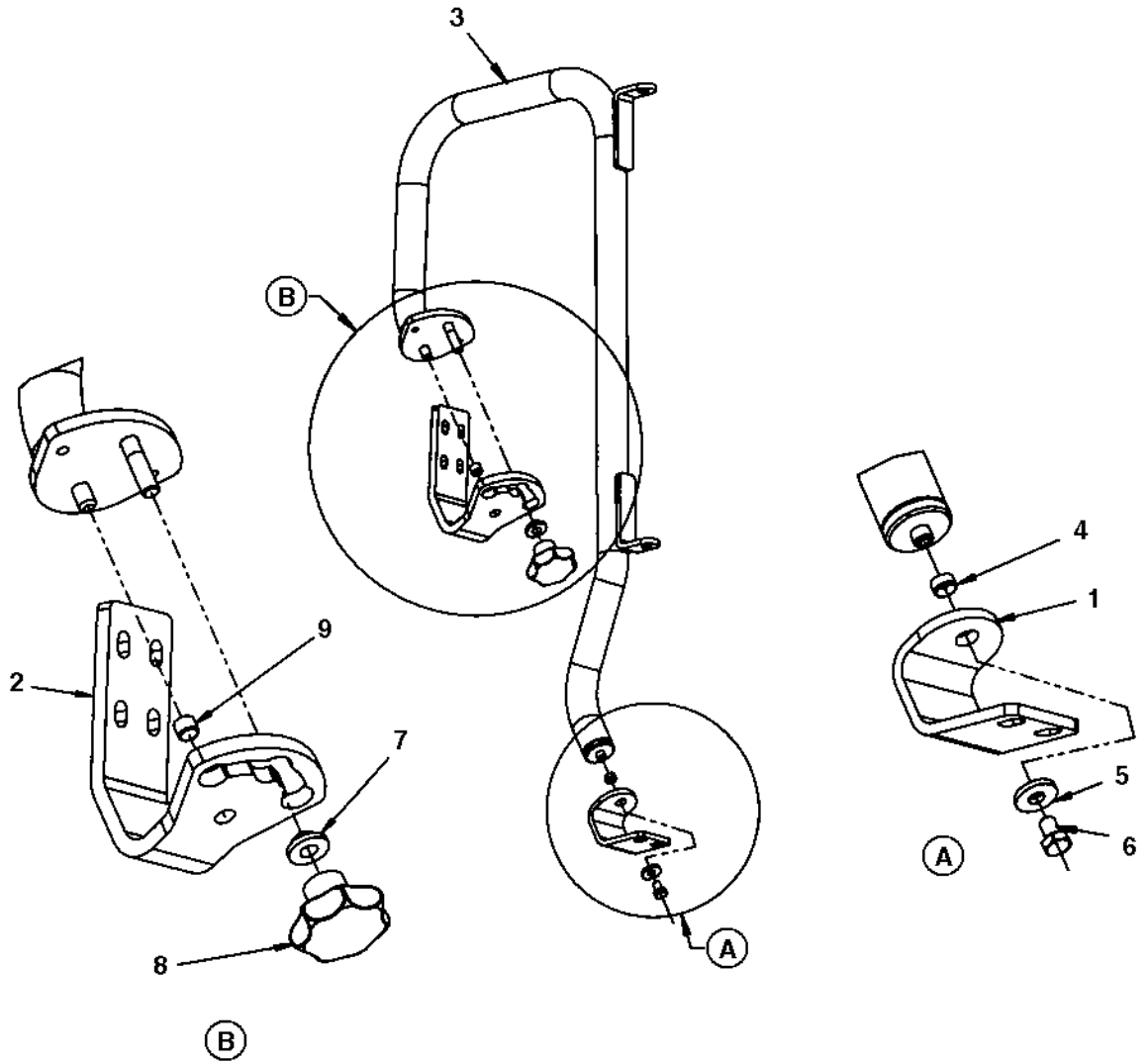
Hand rail

Item	Part No	Rem Qty	Description	Code
1	4700381936	1	Bracket	
2	4700381935	1	Bracket	
3	4700390155	1	Hand rail	
4	4700792448	1	Plastic bushing	
5	4700904640	1	Washer 8,4x22x3	C
6	4700500018	1	Screw M8-1,25x12 8,8	C
7	4700370286	1	Washer	C
8	4700499174	1	Knob	
9	4700792447	1	Plastic bushing	



Hand rail, right

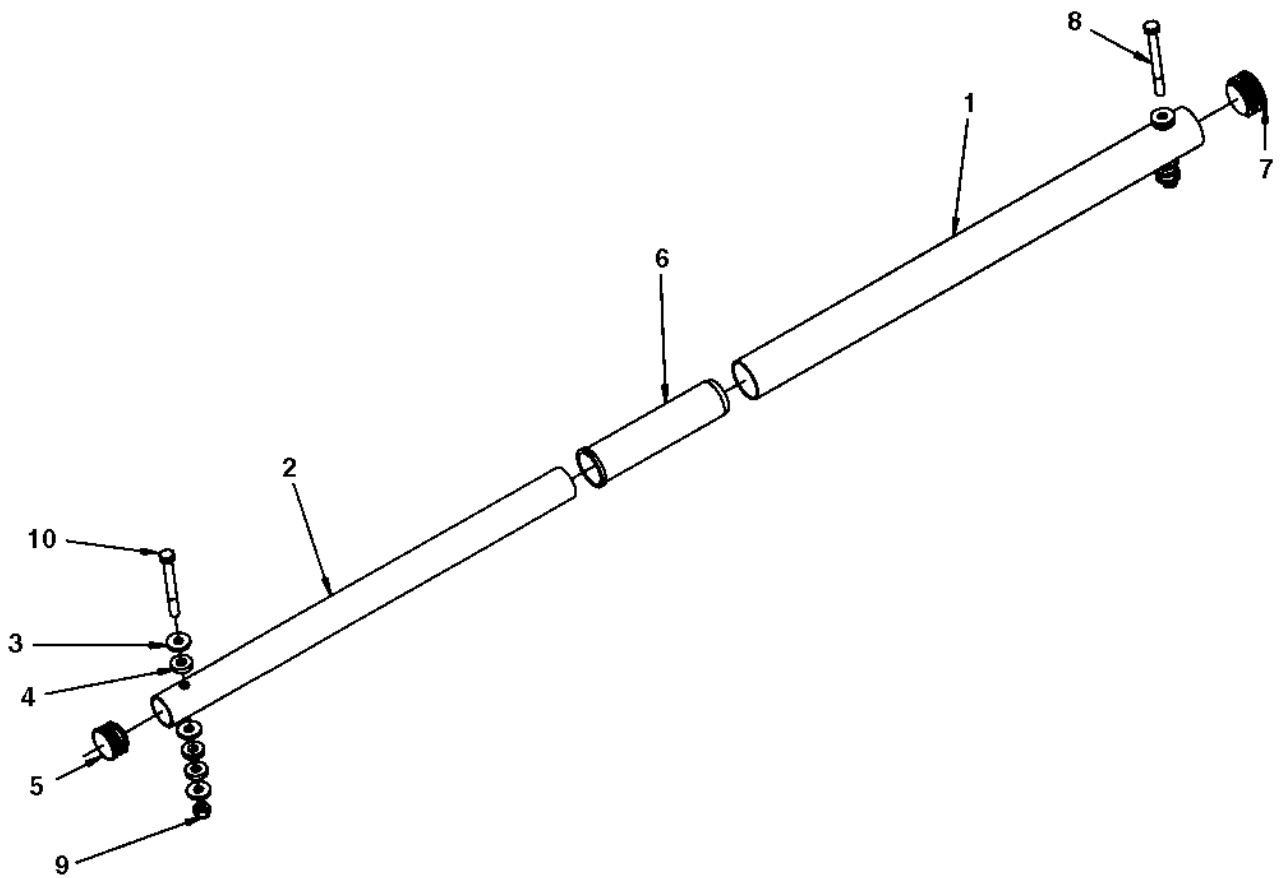
Item	Part No	Rem Qty	Description	Code
1		1	Hand rail (Page 320)	
2	4700904229	8	Washer 8,4x16x1,5	C
3	4700500021	4	Screw M8-1,25x25 8.8	C
4	4700586003	8	Lock nut M8	C
5	4700508025	2	Screw M6x20	
6	4700586002	2	Lock nut M6 -8	C
7	4700904228	2	Washer 6,4x12x1,5	C
8	4700500047	8	Hexagon head screw	C
9		2	Hand rail (Page 322)	
10	4700904556	12	Washer 8,4x16x3,0	C



Hand rail

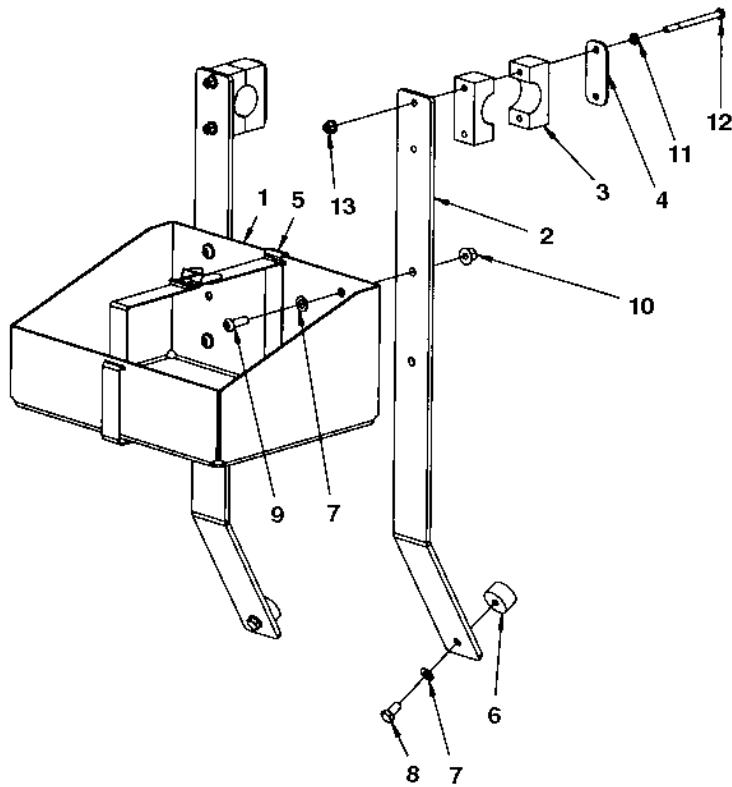
Item	Part No	Rem Qty	Description	Code
1	4700381936	1	Bracket	
2	4700381935	1	Bracket	
3	4700381934	1	Hand rail	
4	4700792448	1	Plastic bushing	
5	4700904640	1	Washer 8,4x22x3	C
6	4700500018	1	Screw M8-1,25x12 8,8	C
7	4700370286	1	Washer	C
8	4700499174	1	Knob	
9	4700792447	1	Plastic bushing	

Hand rail



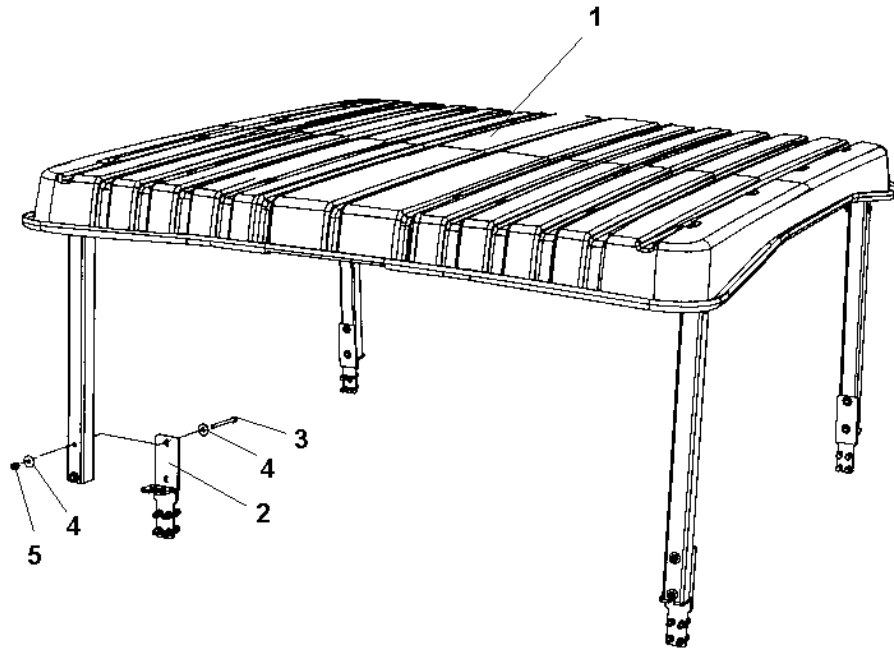
Hand rail

Item	Part No	Rem Qty	Description	Code
1	4700391675	1	Steel tube	
2	4700391676	1	Steel tube	
3	4700904640	6	Washer 8,4x22x3	C
4	4700391674	6	Rubber washer	
5	4700926216	1	Protective plug	
6	4700391678	1	Bushing	
7	4700792449	1	Protective plug	
8	4700500190	1	Screw	
9	4700586003	2	Lock nut M8	C
10	4700500189	1	Screw	C



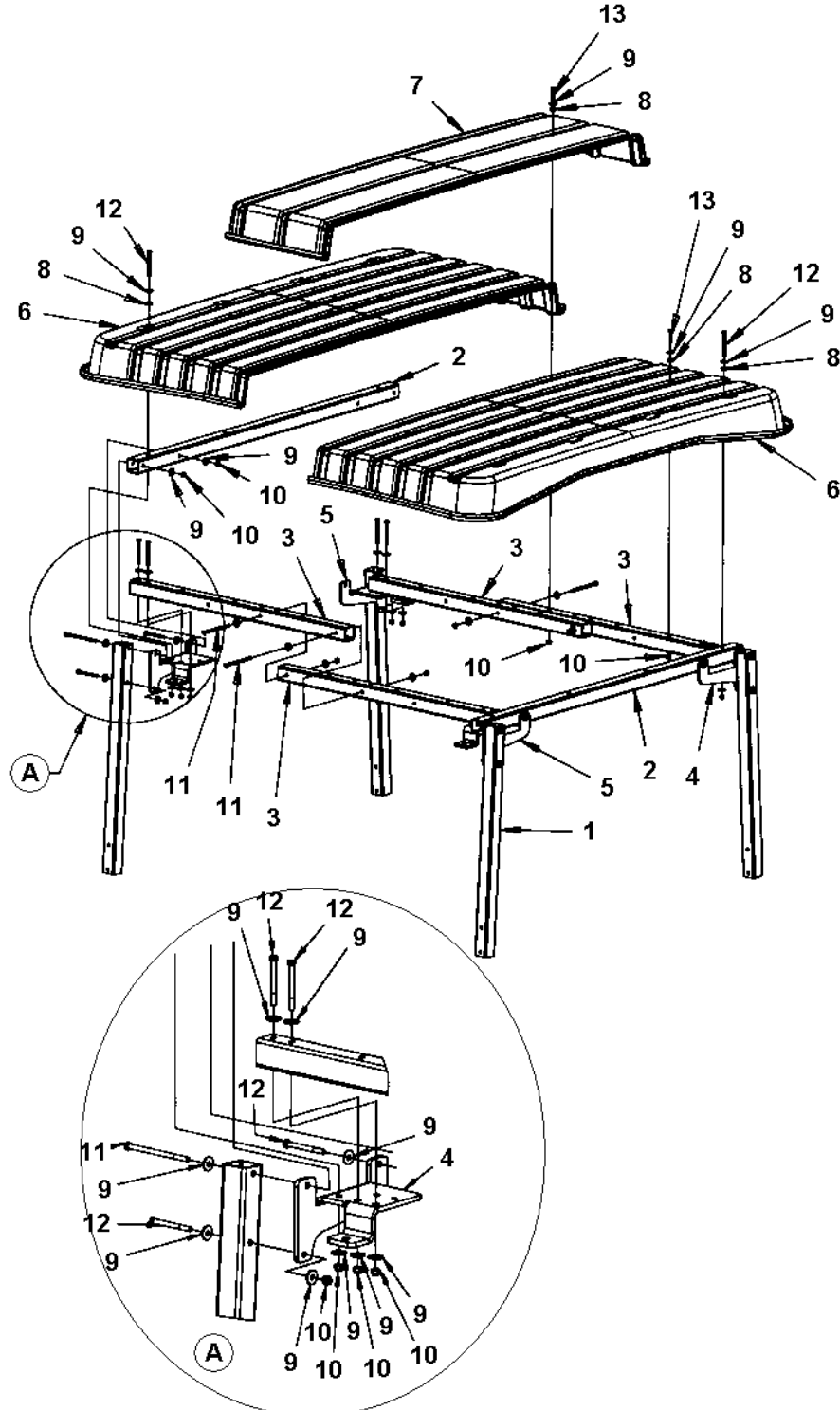
Lunch box module

Item	Part No	Rem Qty	Description	Code
1	4700377913	1	Box	
2	4700394859	2	Bracket	
3	4700904340	2	Pipe clamp	
4	4700924791	2	Cover plate	
5	4700287643	1	Metal strapping	D
6	4700450163	2	Shock absorber	D
7	4700904229	6	Washer 8,4x16x1,5	C
8	4700500019	2	Screw M8x16H 8.8 A2K	C
9	4700904654	4	Screw	
10	4700902286	4	Hexagon lock nut with flange	C
11	4700904228	4	Washer 6,4x12x1,5	C
12	4700500153	4	Screw	C
13	4700902285	4	Nut	C



Canopy option

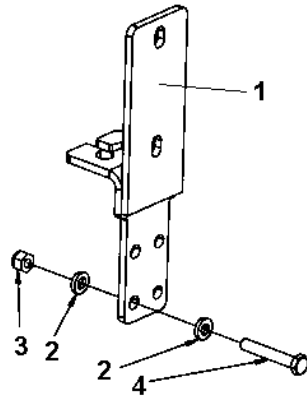
Item	Part No	Rem Qty	Description	Code
1		1	Canopy assy (Page 328)	
2		4	Bracket (Page 330)	
3	4700500190	8	Screw	
4	4700601003	16	Washer 8,4x25x2	C
5	4700586003	8	Lock nut M8	C



Canopy assy

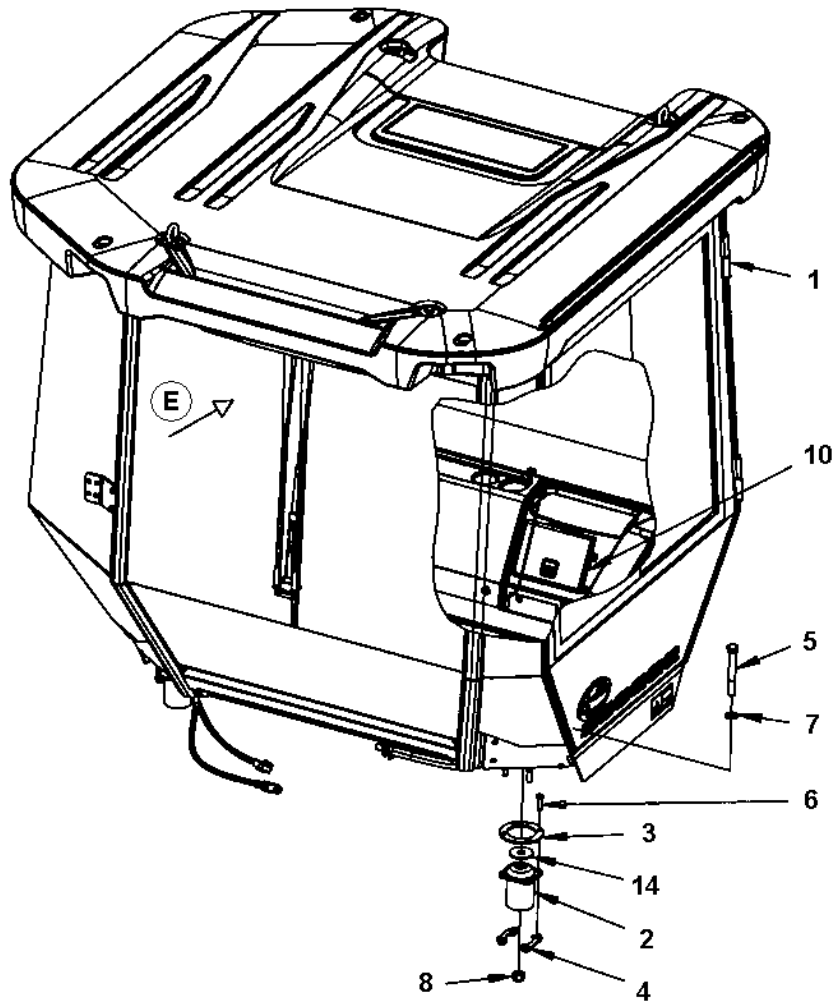
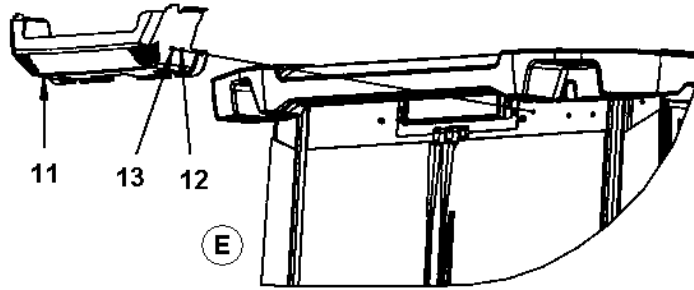
Item	Part No	Rem Qty	Description	Code
1	4700393640	4	Pillar	
2	4700393641	2	Roof beam	
3	4700393642	4	Cross beam	
4	4700393645	2	Bracket	
5	4700393646	2	Bracket	
6	4700394139	2	Plastic roof	
7	4700394140	1	Plastic roof	
8	4700391674	22	Rubber washer	
9	4700601003	74	Washer 8,4x25x2	C
10	4700586003	46	Lock nut M8	C
11	4700500143	8	Screw	
12	4700500190	20	Screw	
13	4700904241	18	Screw	C

Bracket



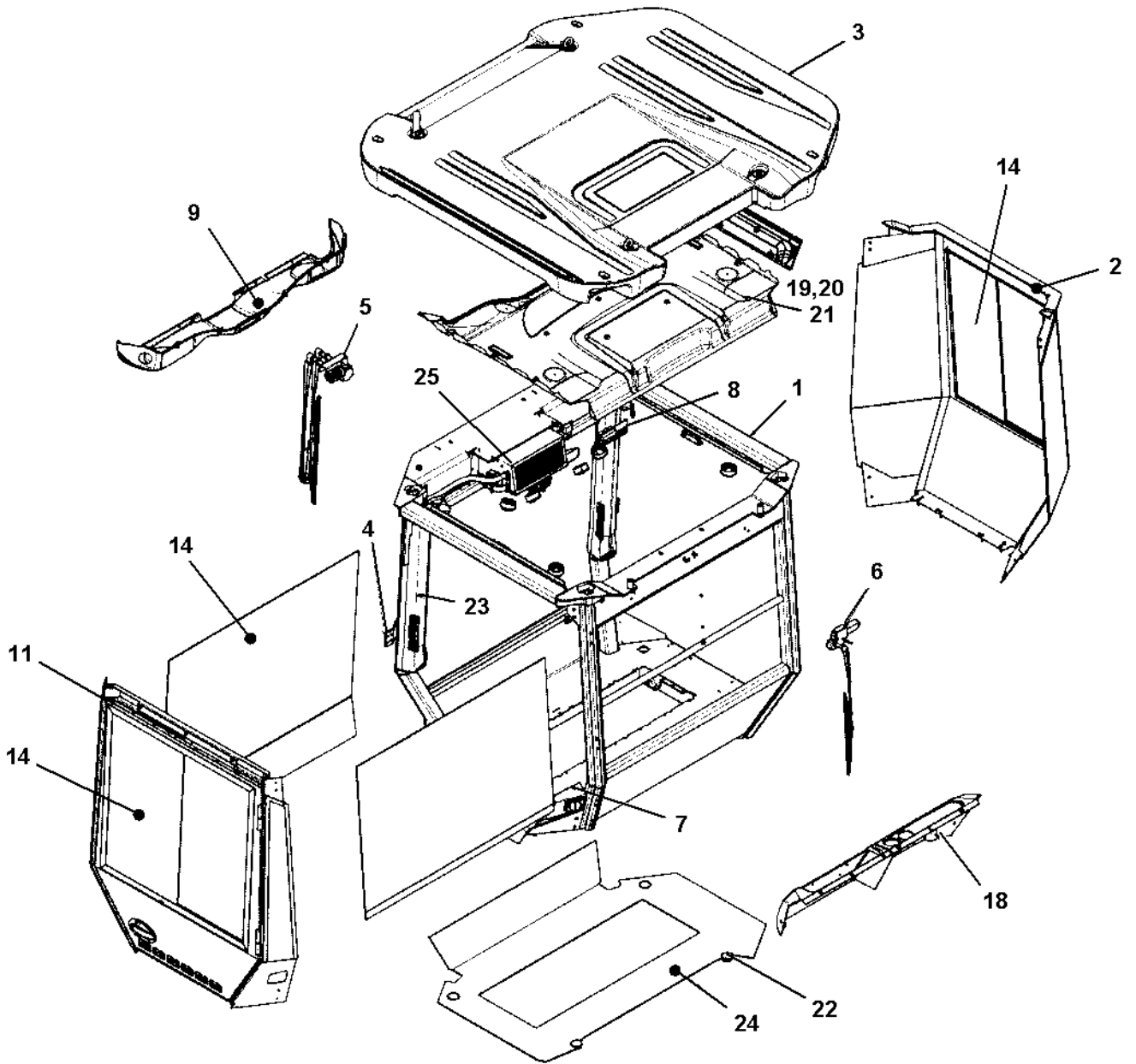
Bracket

Item	Part No	Rem Qty	Description	Code
1	4700393639	1	Bracket	
2	4700904556	8	Washer 8,4x16x3,0	C
3	4700586003	4	Lock nut M8	C
4	4700500239	4	Screw	C



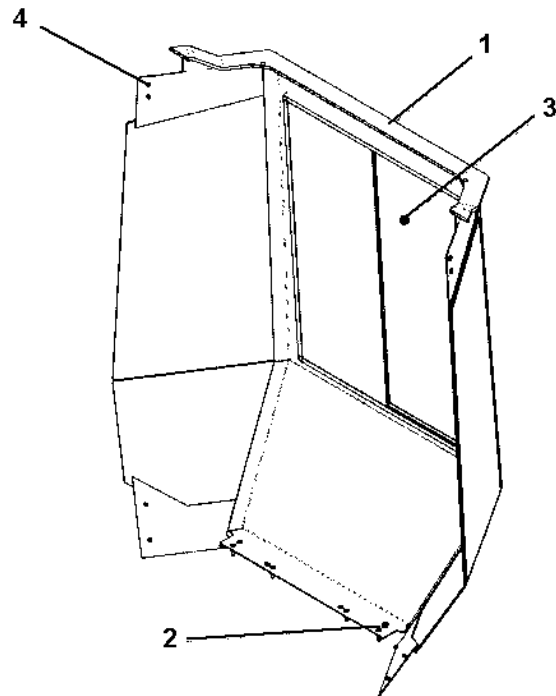
Cab, asymmetric

Item	Part No	Rem Qty	Description	Code
1	4700390865	1	Cab, cpl (Page 334)	
2	4700384855	4	Shock absorber	
3	4700359998	4	Back-up ring	C
4	4700393525	8	Holder	
5	4700903633	4	Screw M20x150 10,9	
6	4700500195	16	Screw	C
7	4700904233	4	Steel plain washer	C
8	4700901145	4	Lock nut M20-10	
10		1	Manual box (Page 312)	
11	4700393582	1	Cover	
12	4700904229	2	Washer 8,4x16x1,5	C
13	4700500018	2	Screw M8-1,25x12 8,8	C
14	4700347512	4	Washer	D



4700390865 Cab, cpl

Item	Part No	Rem Qty	Description	Code
	4700390865		Cab, cpl (Page 334)	
1		1	Cab frame	
2		1	Cab frame, right side (Page 336)	
4		1	General parts (Page 338)	
5		1	Windshield wiper, front (Page 340)	
6		1	Windshield wiper, rear (Page 342)	
7		1	Windshield washer reservoir (Page 344)	
8		1	Electric equipment (Page 346)	
11		1	Door frame (Page 348)	
14		1	Cab screens (Page 352)	
18		1	Rear covers (Page 306)	
19	4700395829	5	Screw	
20	4700395830	5	Screw	
22	4700395840	4	Plug	
23		2	Air channel (Page 354)	
25		1	Heater unit (Page 356)	

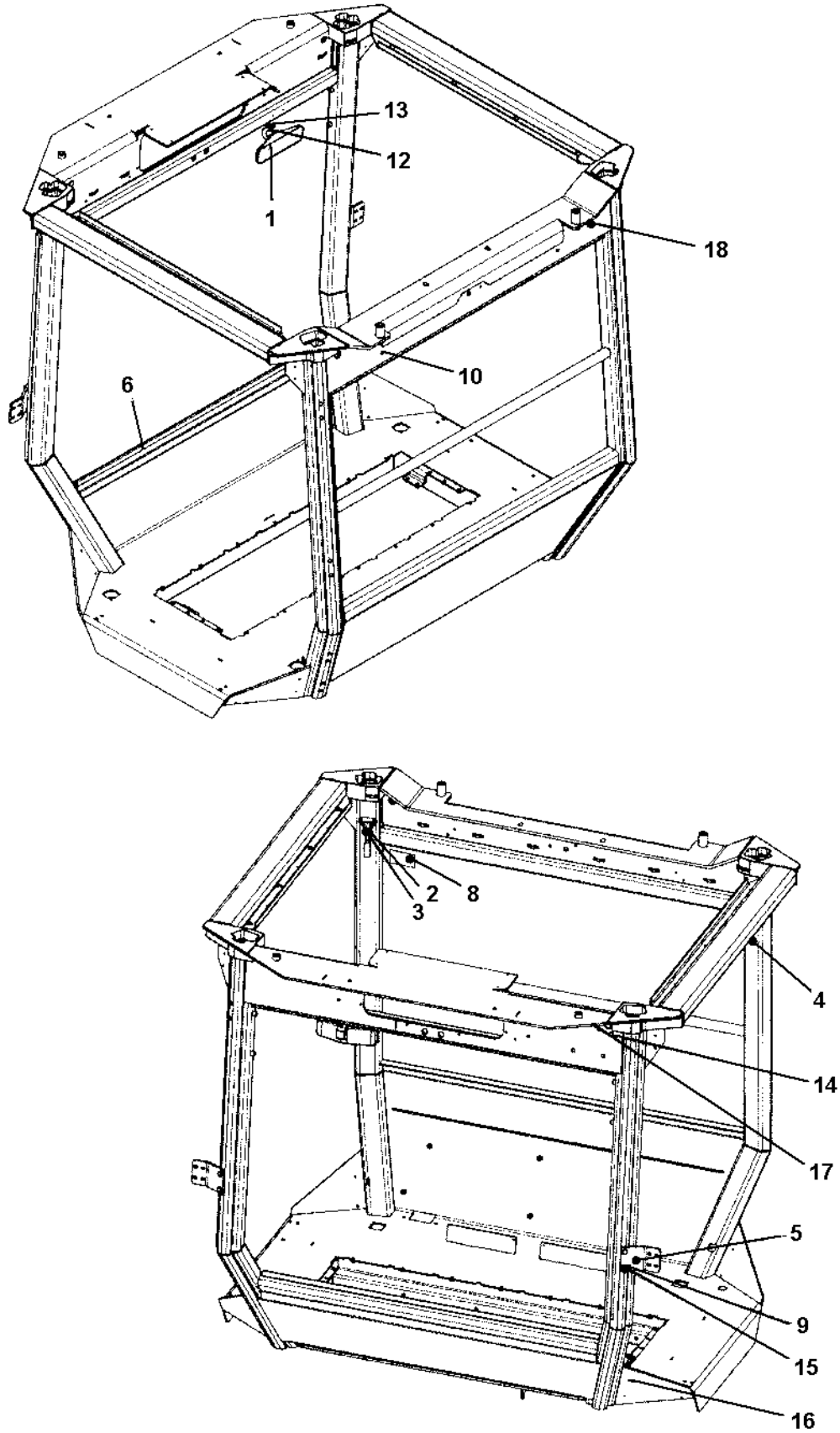


Cab frame, right side

Item	Part No	Rem Qty	Description	Code
1		1	Frame	
2	4700927637	6	Hexagon socket countersunk screw	
3		1	Screens	
4	4700500018	10	Screw M8-1,25x12 8,8	C

1) See section for Cab screens.

General parts

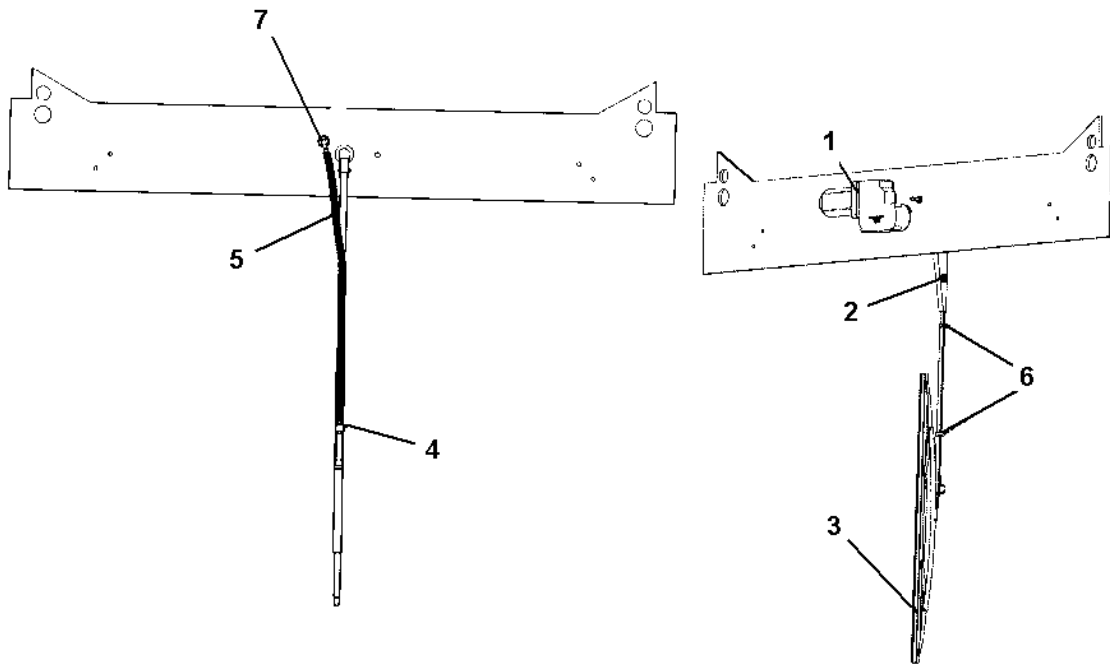


General parts

Item	Part No	Rem Qty	Description	Code
1	4700395792	1	Rear view mirror	
2	4700908507	1	Emergency hammer	D
3	4700908506	1	Holder	C
4	4700908505	1	Hook	C
5	4700395787	2	Holder plate	
6		1XL	Edge trim	
8	4700903590	1	Decal Emergency exit	
9	4700500048	4	Screw M10-1,5x20 8,8	C
10		6	Plug	C
12		1	Screw	C
13		1	Nut cap	C
14		20	Plug	C
15		8	Nut cap	C
16		10	Screw cap	C
17		1	Plug	C
18		1	Plug	C

Windshield wiper, front

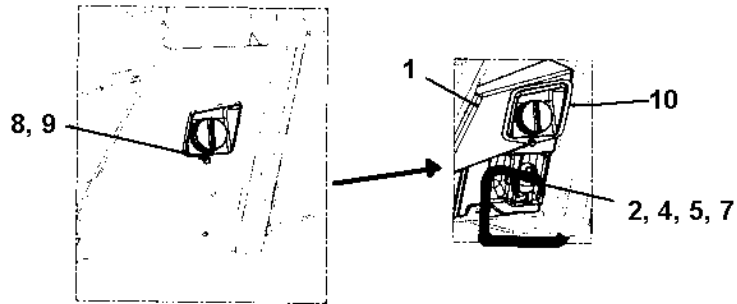
Item	Part No	Rem Qty	Description	Code
1	4700395810	1	Wiper motor	
2	4700395811	1	Wiper arm	
3	4700905306	1	Wiper blade	
4	4700395796	1	Mounting plate	
5	4700508021	1	Screw	
6	4700904229	1	Washer 8,4x16x1,5	C
7	4700586003	1	Lock nut M8	C
8	4700908561	1	Grommet	C



Windshield wiper, rear

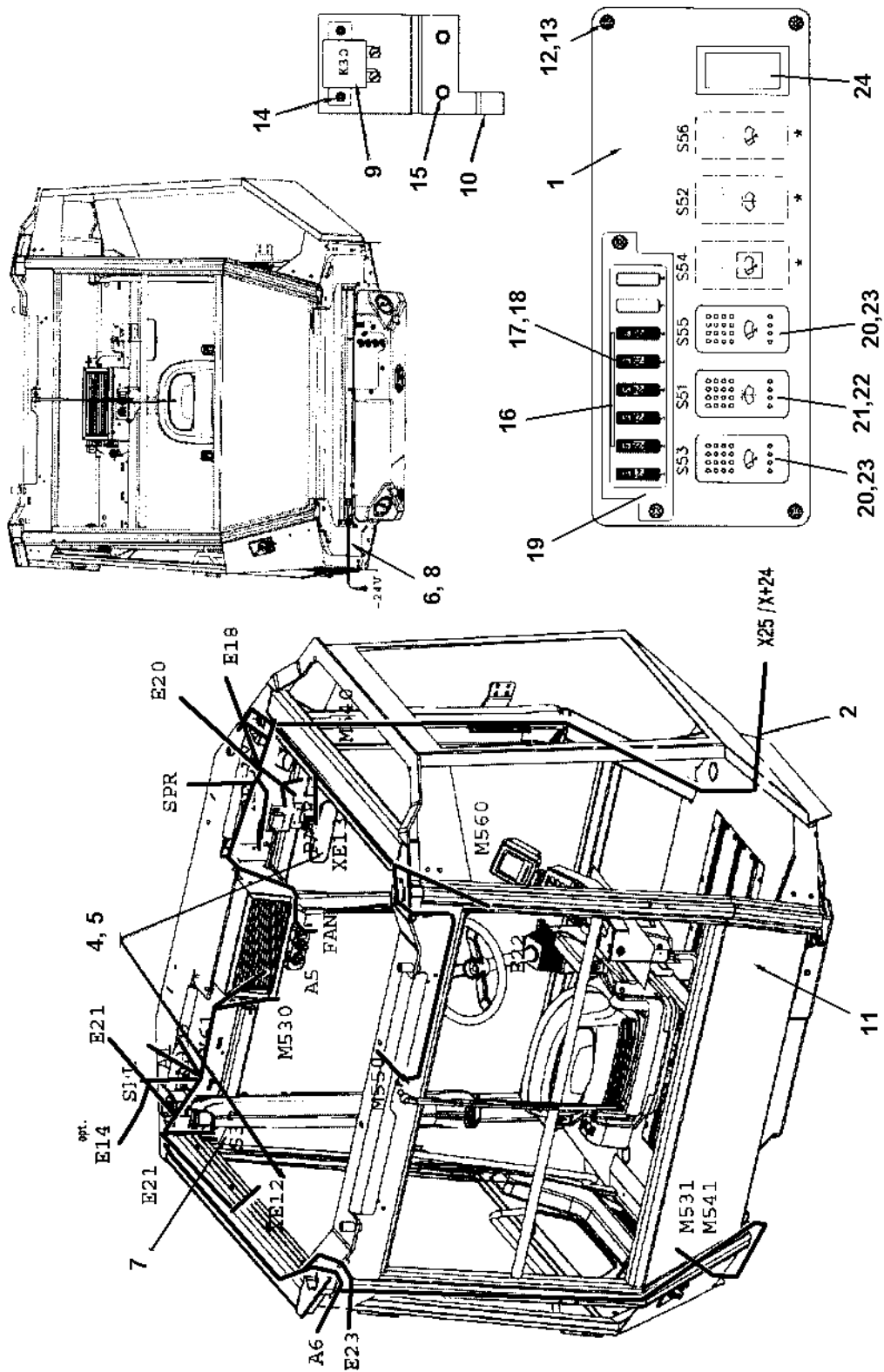
Item	Part No	Rem Qty	Description	Code
1	4700945897	1	Wiper motor	
2	4700395813	1	Wiper arm	
3	4700395814	1	Wiper blade	
4	4700938256	1	Nozzle	
5		1XL	Rubber hose	
6		2	Hose fastener	
7	4700908561	1	Grommet	C

Windshield washer reservoir



Windshield washer reservoir

Item	Part No	Rem Qty	Description	Code
1	4700395793	1	Water reservoir	
2	4700395794	1	Electric motor	
4	4700908564	2	Check valve	C
5	4700908563	1XL	Plastic hose	B
7	4700395815	1	Seal ring	
8	4700904228	1	Washer 6,4x12x1,5	C
9	4700500013	1	Screw M6-1x16 8,8	C
10	4700395795	1	Gasket	

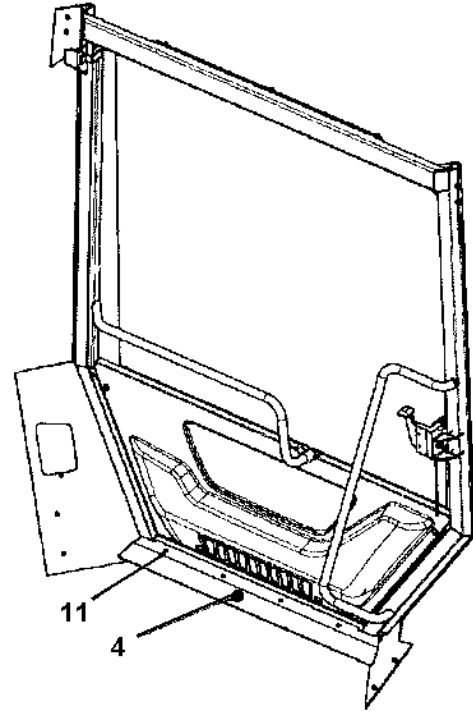
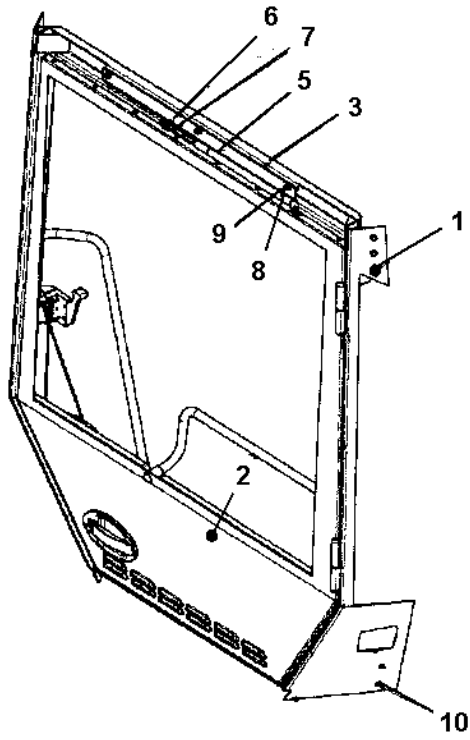


Electric equipment

Item	Part No	Rem	Qty	Description	Code
1			1	Control panel plate	
2	4700395798		1	Cable harness	
4	4700395800		2	Interior light	
5	4700792715		4	Bulb	
6			1	Screw	
7	4700908500		1	Door switch	B
8	4700395799		1	Ground cable	
9	4700792309		1	Relay	D
10			1	Mounting plate	D
11	4700395816		1	Plug socket 24V	
12			5	Rubber nut	
13			5	Screw	
14			2	Screw	
15			2	Screw	
16	4700791211		4	Contact bridge	
17	4700901227		4	Fuse 10A	A
18	4700901228		2	Fuse 15A	A
19	4700791185		1	Fuse box	
20			2	Button	
21			1	Button	
22	4700792505	A	1	Switch	
23	4700792504	B	2	Switch	
24	4700791588		4	Panel plug	

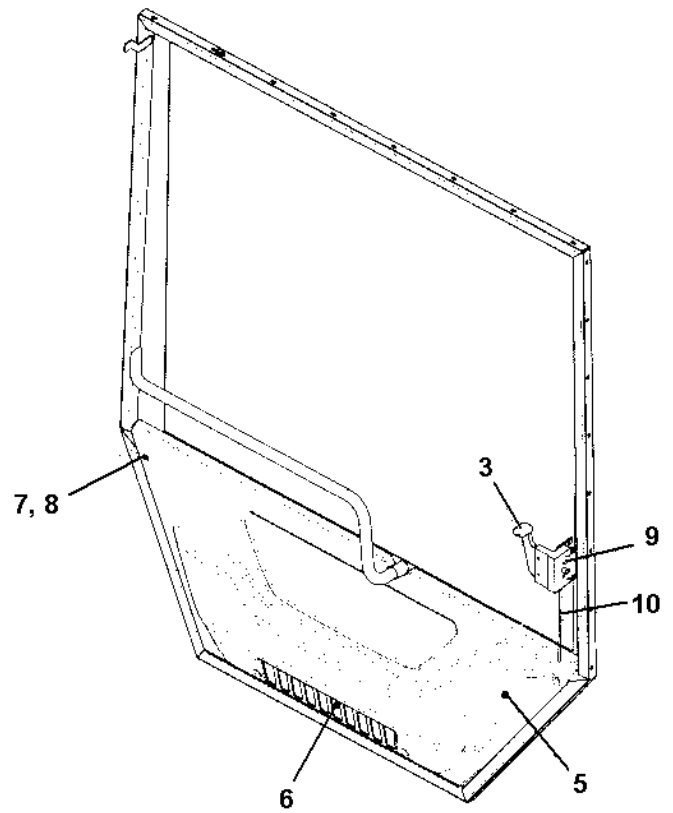
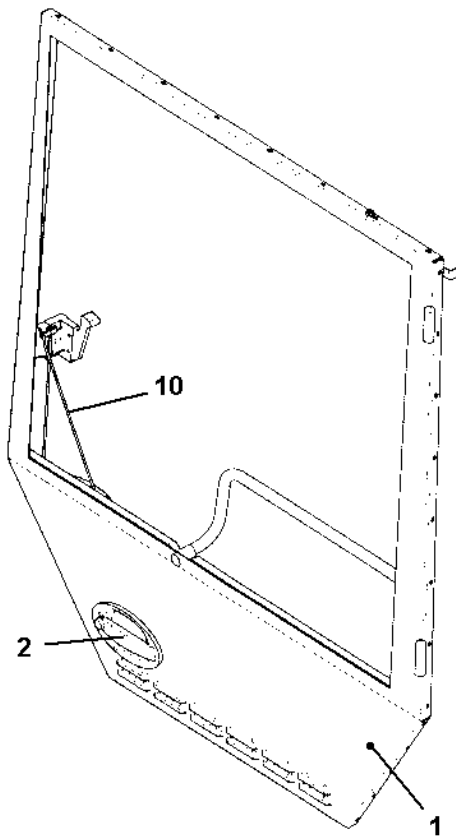
- A) Windshield washer.
- B) Windshield viper.

Door frame



Door frame

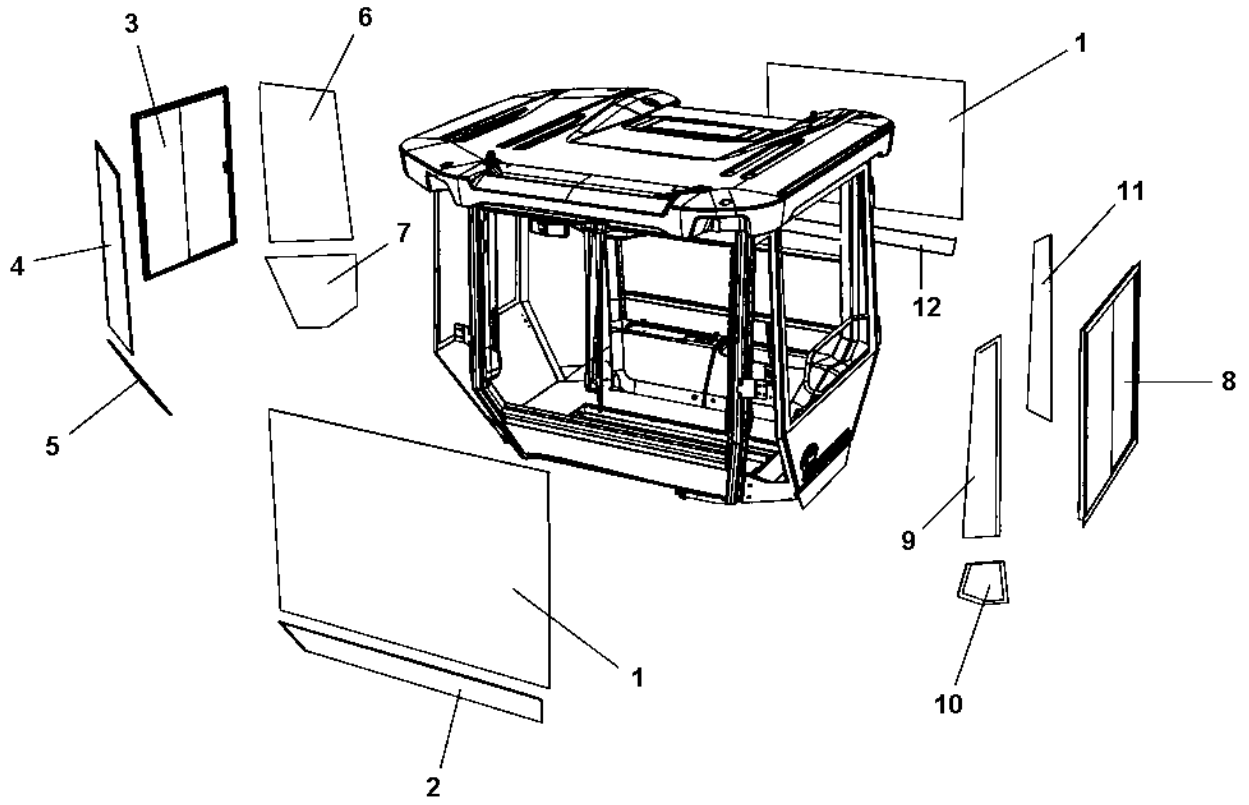
Item	Part No	Rem Qty	Description	Code
1		1	Frame mount	
2	4700395806	1	Door (Page 350)	
3		1	Cover plate	
4		1	Plate	
5	4700908284	1	Gas spring	C
6	4700395817	1	Ball joint	
7	4700570005	1	Nut M8	C
8	4700586003	3	Lock nut M8	C
9	4700936277	3	Washer	C
10	4700500018	10	Screw M8-1,25x12 8,8	C
11		4	Screw	C



4700395806 Door

Item	Part No	Rem Qty	Description	Code
1		1	Door welded	C
2	4700395833	1	Handle, outer	
	4700902866	1	. Key Marked "455"	A
3	4700395834	1	Handle, inner	
5	4700395835	1	Plastic panel	
6	4700395836	1	Filter	
7	4700395837	4	Nut	
8	4700395838	4	Screw	
9		3	Screw	
10	4700395839	1	Rod	

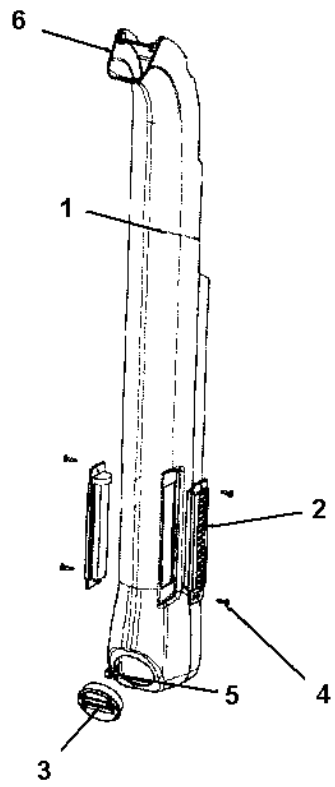
Cab screens



Cab screens

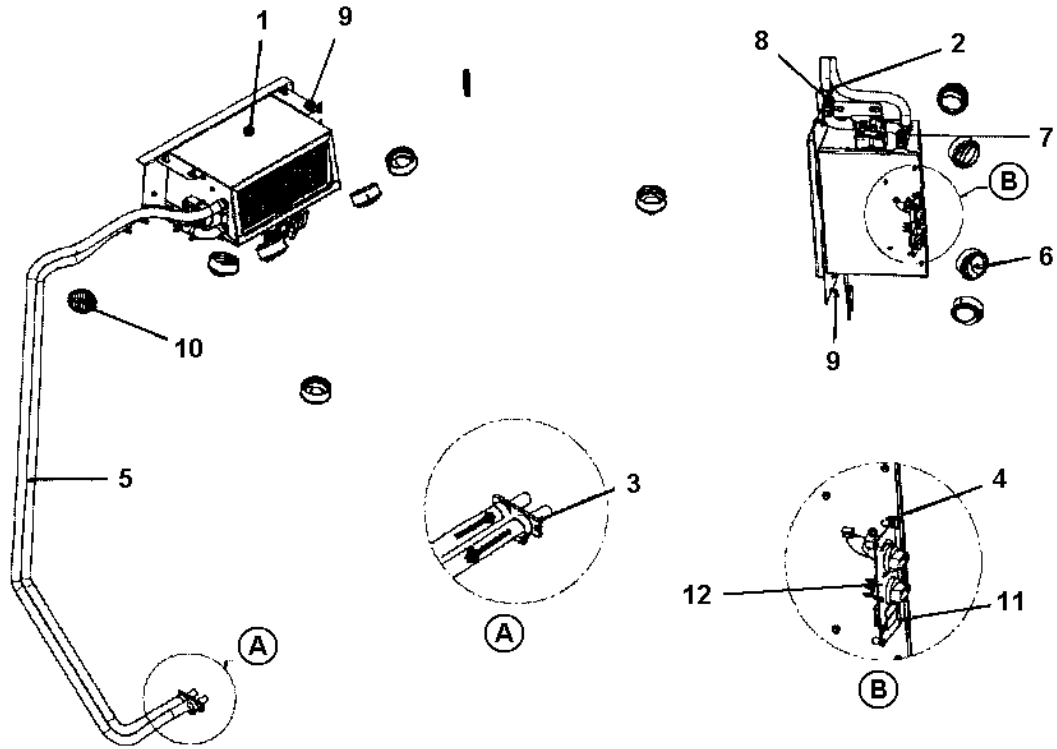
Item	Part No	Rem	Qty	Description	Code
1	4700393262		2	Windscreen	
2	4700395804	A	1	Screen	
3	4700395790	B	1	Sliding screen	
4	4700393634	B,C	1	Screen	
5	4700393637	B,A	1	Screen	
6	4700393635	B,D	1	Screen	
7	4700393636	B,E	1	Screen	
8	4700395803	F	1	Sliding screen	
9	4700393252	G,C	1	Screen	
10	4700393254	G,A	1	Screen	
11	4700393253	G,D	1	Screen	
12	4700395844	E	1	Screen	

- A) Front lower
- B) Right side
- C) Front upper
- D) Rear upper
- E) Rear lower
- F) Door
- G) Left side



Air channel

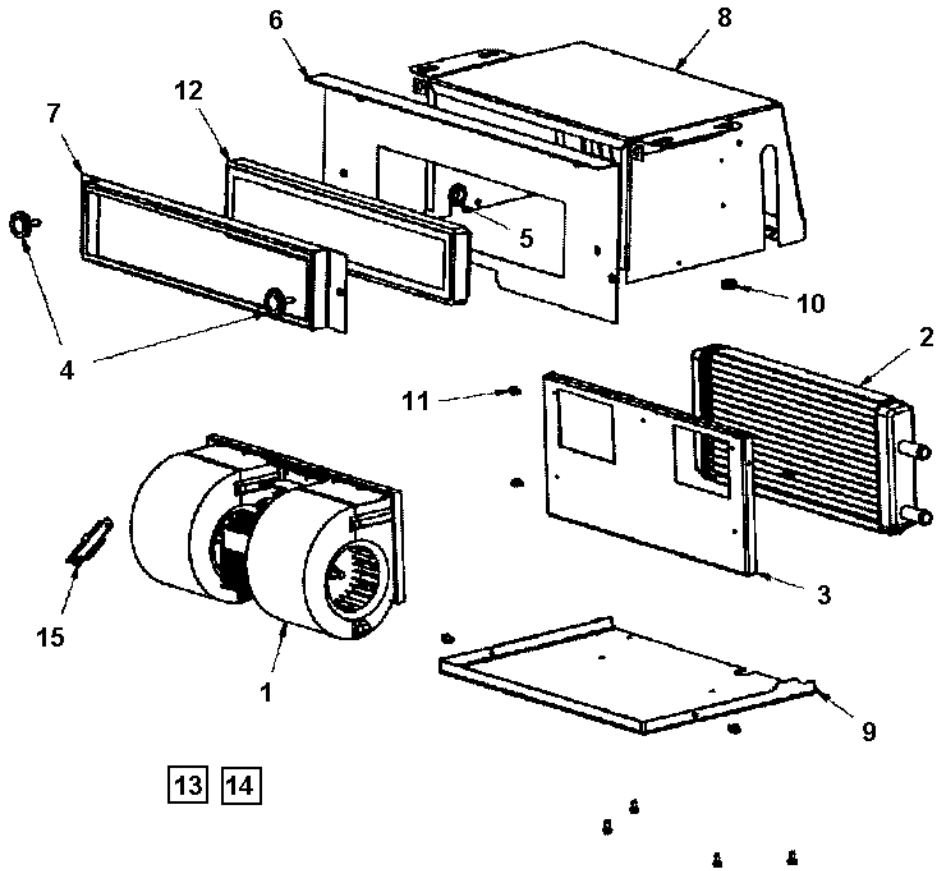
Item	Part No	Rem Qty	Description	Code
1		1	Cover	
2	4700395831	2	Air nozzle	
3	4700395832	1	Air nozzle	
4	4700395829	4	Screw	
5		1	Screw	
6		1XL	Edge trim	



Heater unit

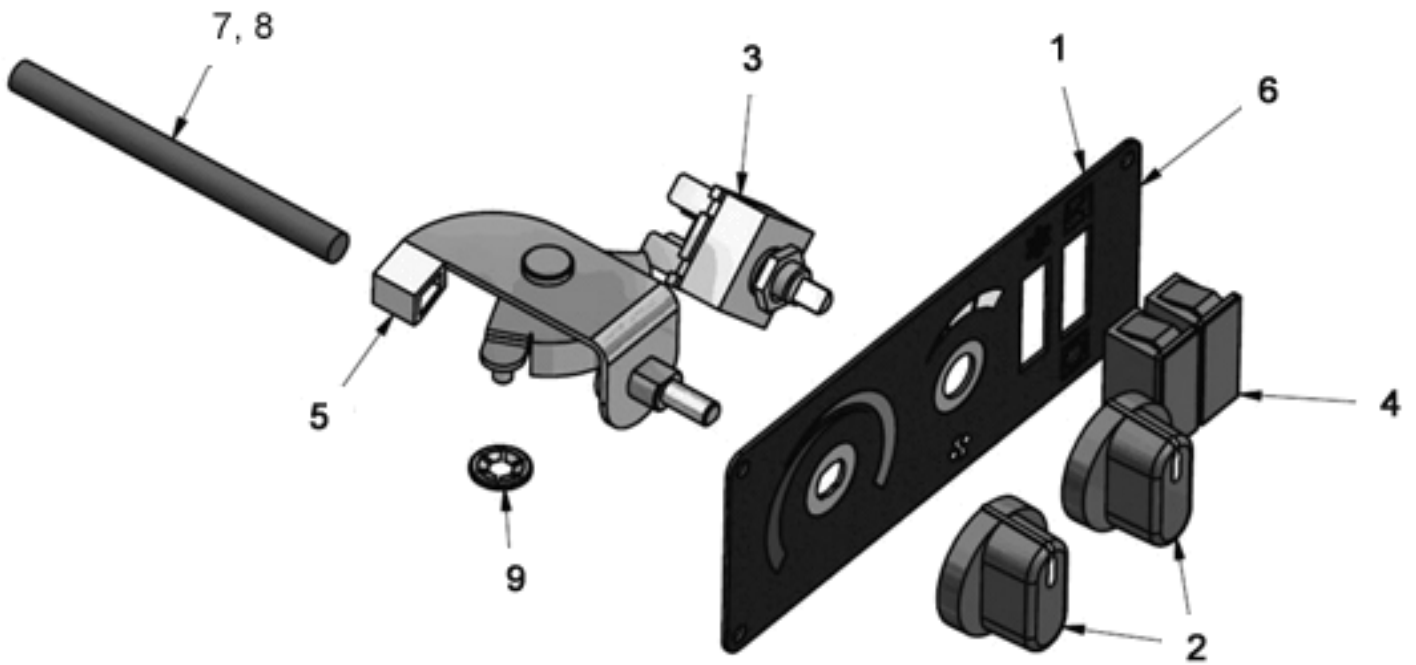
Item	Part No	Rem Qty	Description	Code
1		1	Heater (Page 358)	
2	4700938874	8	Clamp	C
3		1	Inlet plate	C
4		4	Rubber nut	C
5	4700395756	1XL	Hose	
6	4700395757	6	Air nozzle	
7	4700395758	2	Hose	
8		1	Connector pipe	
9	4700500053	6	Screw M8x20H 8.8	C
10	4700395759	2	Air nozzle	
11		4	Screw	
12		1	Heater controls (Page 360)	

Heater



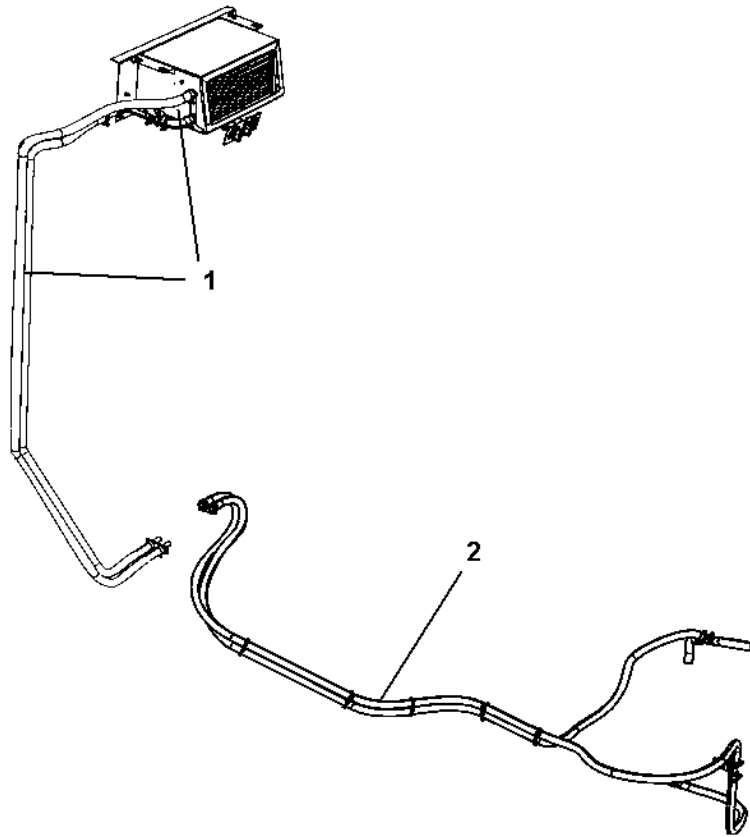
Heater

Item	Part No	Rem Qty	Description	Code
1	4700395761	1	Blower	
2	4700395762	1	Heater coil	
3		1	Blower bracket	
4	4700395774	2	Knob	
5	4700938609	1	Grommet	
6		1	Front plate	
7	4700395775	1	Filter bracket	
8		1	Casing	
9		1	Cover plate	
10		1	Grommet	
11		11	Screw M5x10	
12	4700395818	1	Filter	
13	4700395819	1	Cable harness	
14	4700395828	1	Panel cable	
15	4700395820	1	Resistor assy	



Heater controls

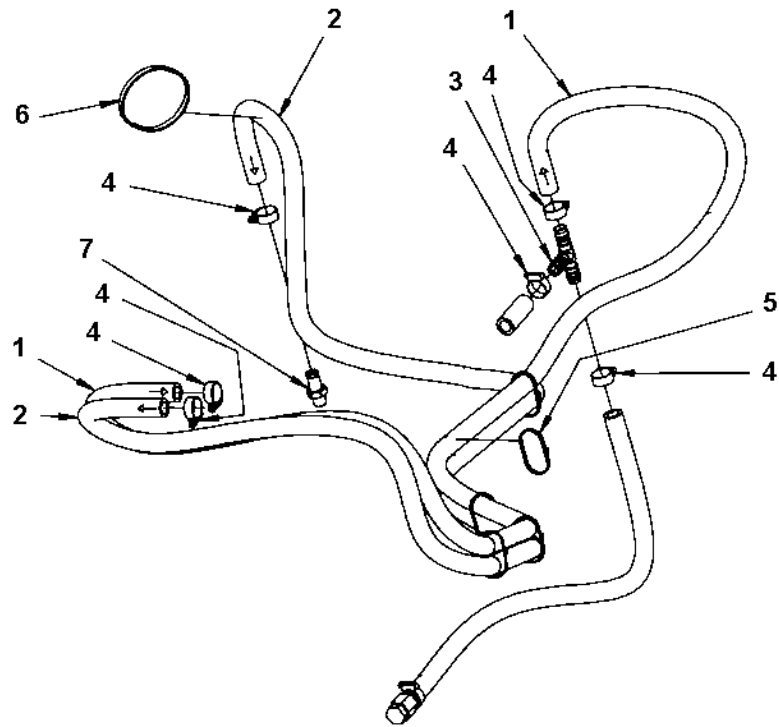
Item	Part No	Rem Qty	Description	Code
1		1	Panel plate	
2	4700377508	2	Knob	
3	4700938622	1	Switch	B
4		2	Cover	B
5	4700377507	1	Rotary control	
6		1	Overlay	
7	4700395841	1	Wire clips	
8	4700395842	1	Wire	
9	4700395853	2	Lock washer	



Cab heater system

Item	Part No	Rem Qty	Description	Code
1		1	Heater unit (Page 356)	
2		1	Heater hoses (Page 364)	

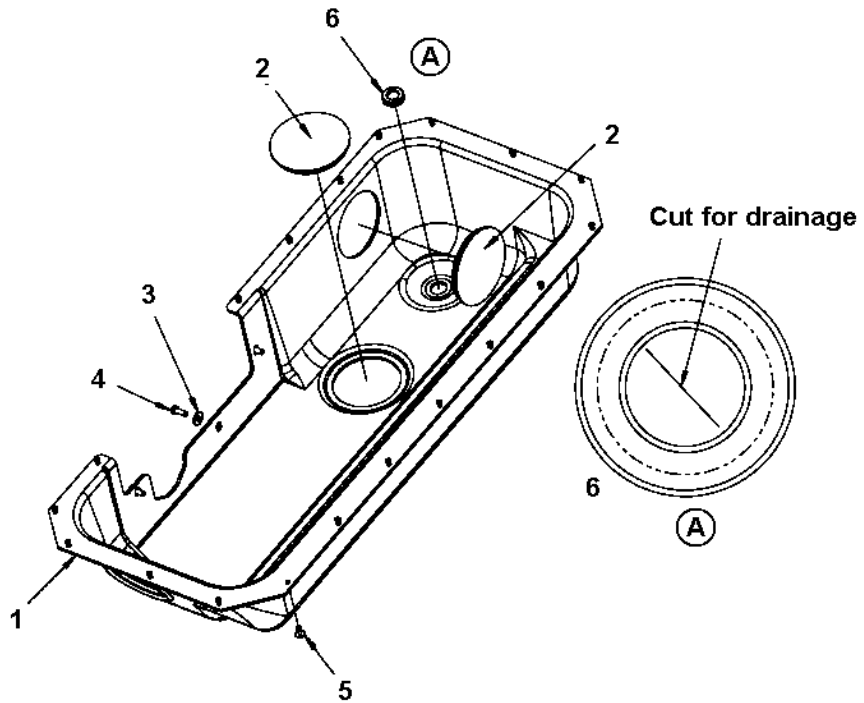
Heater hoses



Heater hoses

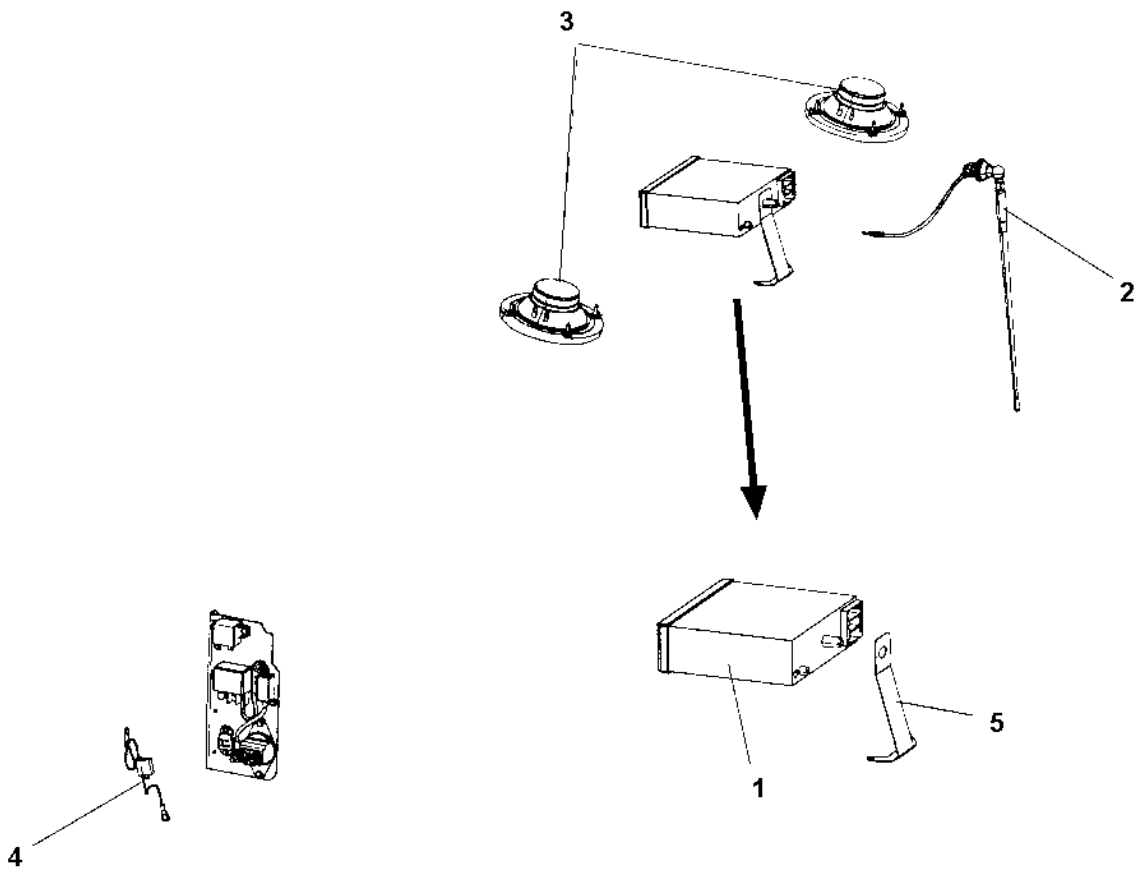
Item	Part No	Rem	Qty	Description	Code
1	4700205112	A	1XL	Coolant hose	D
2	4700205112	B	1XL	Coolant hose	D
3	4700792065		1	Hose connection	
4	4700313004		6	Hose clamp	D
5	4700313041		N	Cable ties	D
6	4700313102		N	Cable ties	D
7	4700379607		1	Hose connection	

- A) L= 3.4 m
- B) L= 3.3 m



Cab noise cover

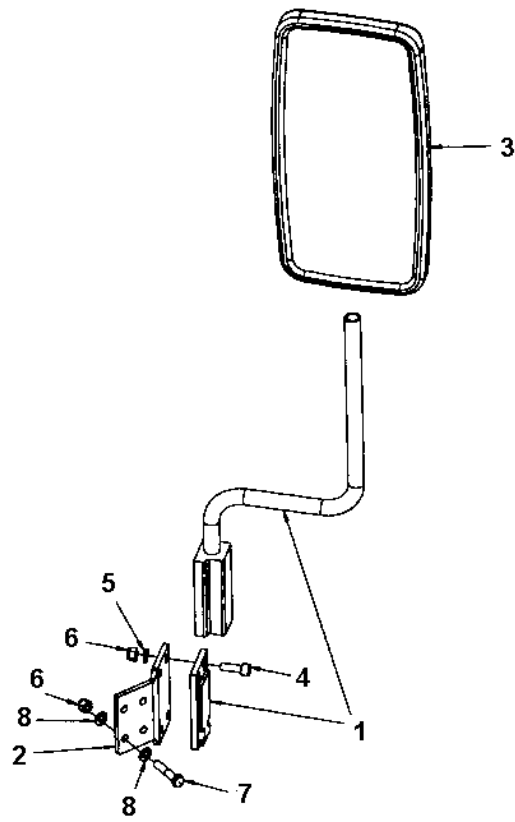
Item	Part No	Rem Qty	Description	Code
1	4700381938	1	Noise cover	
2	4700379992	3	Plug	
3	4700904640	3	Washer 8,4x22x3	C
4	4700500053	3	Screw M8x20H 8.8	C
5	4700792325	19	Blind rivet	
6	4700792392	1	Grommet with membrane	



Radio and cd player

Item	Part No	Rem Qty	Description	Code
1	4700792583	1	Car stereo	
2	4700937165	1	Antenna	D
3	4700791968	2	Loud speakers	
4		1	Power supply module (Page 268)	
5	4700394654	1	Bracket	

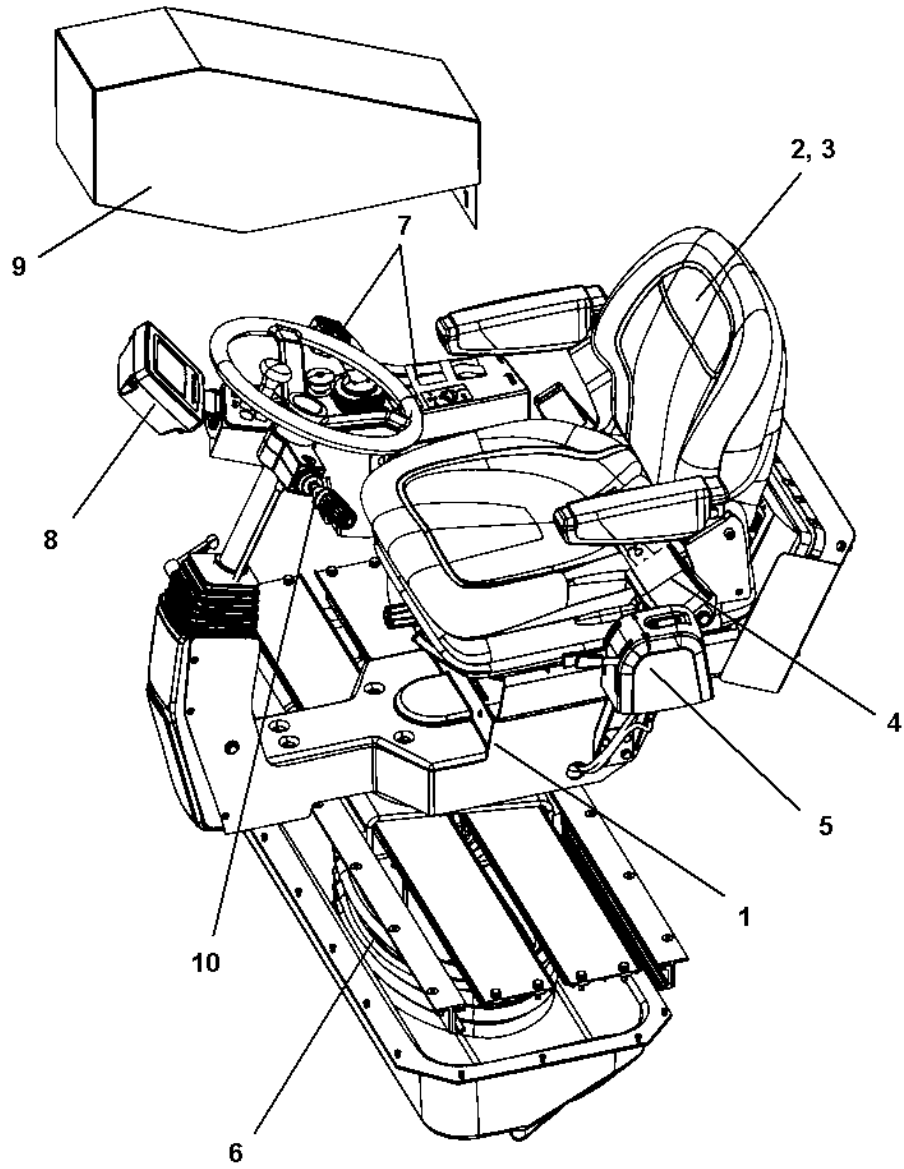
Rear view mirror module



Rear view mirror module

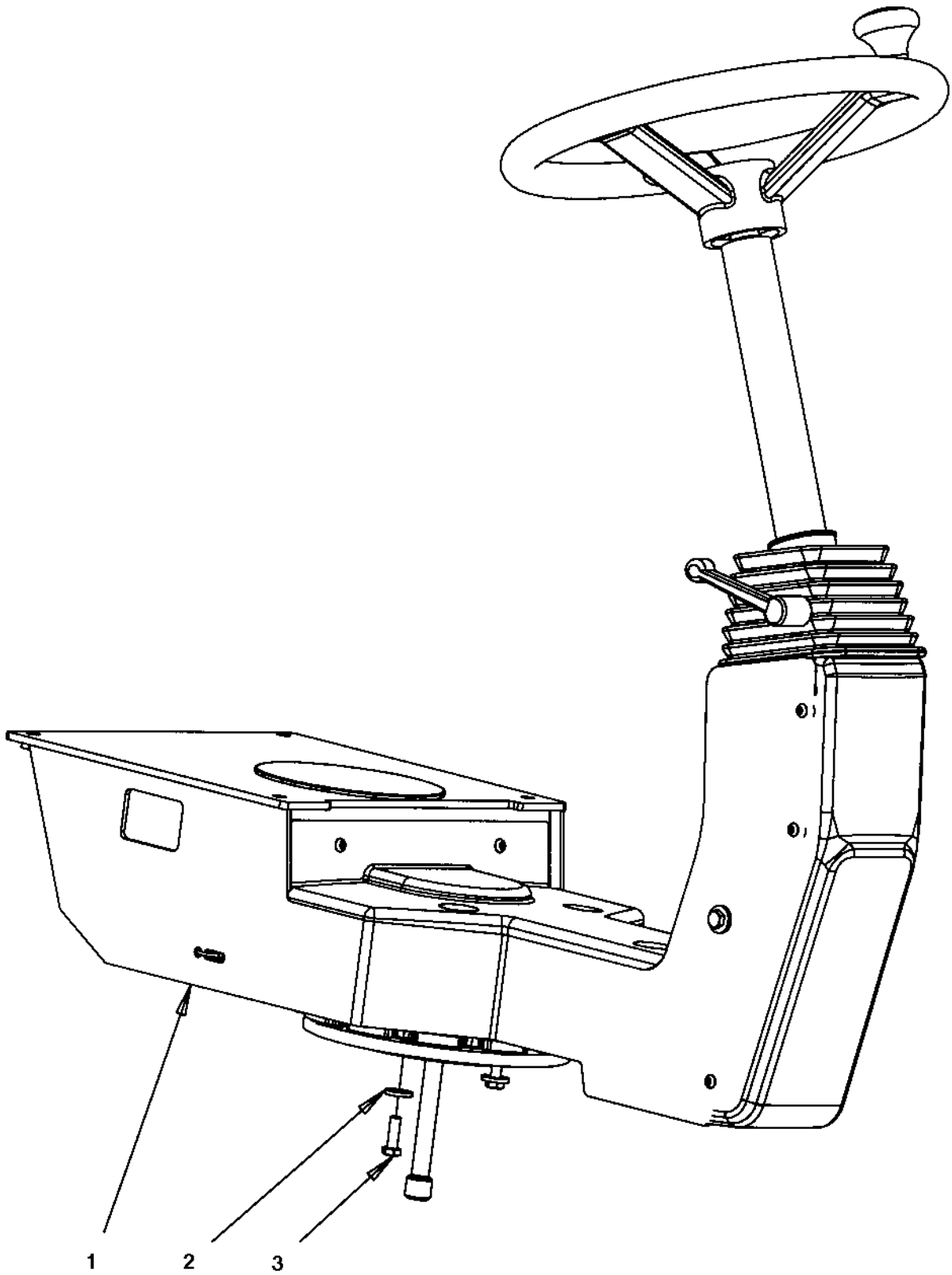
Item	Part No	Rem Qty	Description	Code
1	4700381944	1	Bracket	
2	4700392316	1	Bracket	
3	4700381943	1	Mirror	
4	4700508019	4	Screw M8x25	C
5	4700904229	4	Washer 8,4x16x1,5	C
6	4700586003	8	Lock nut M8	C
7	4700500024	4	Screw M8x45	C
8	4700904556	8	Washer 8,4x16x3,0	C

Drivers seat



Drivers seat

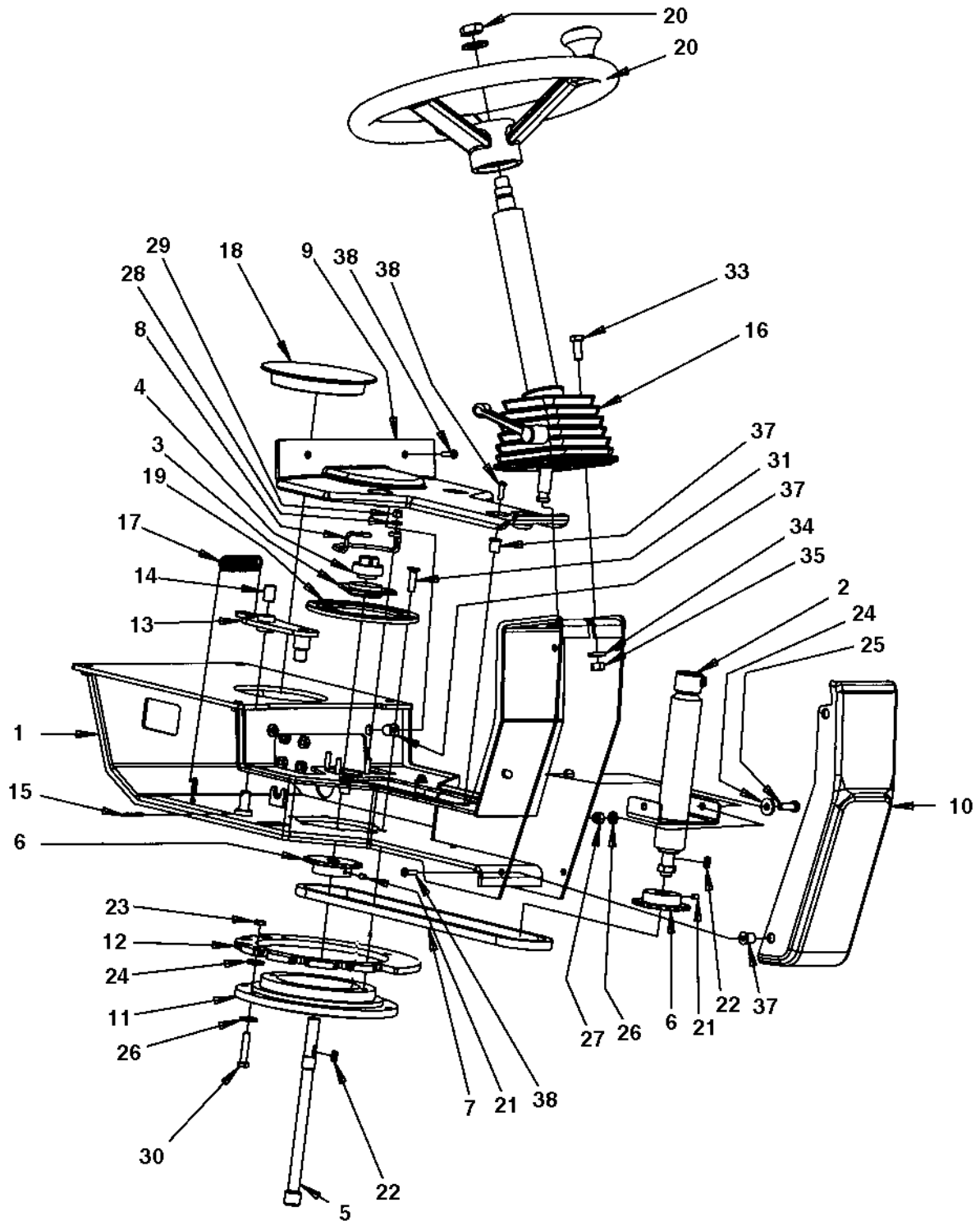
Item	Part No	Rem Qty	Description	Code
1			Seat frame structure (Page 374)	
2			Seat, galon suspended (Page 380)	
3			Seat, fabric suspended (Page 382)	
4	4700377677	1	Seat belt 2"	B
	4700379637	1	Seat belt 3"	B
5			Controls, slidable and turning (Page 384)	
6			Cross sliding (Page 386)	
7			Drive control, cpl (Page 390)	
8			Display unit (Page 394)	
9			Control panel cover (Page 396)	
10			Steering column switch module (Page 276)	



Seat frame structure

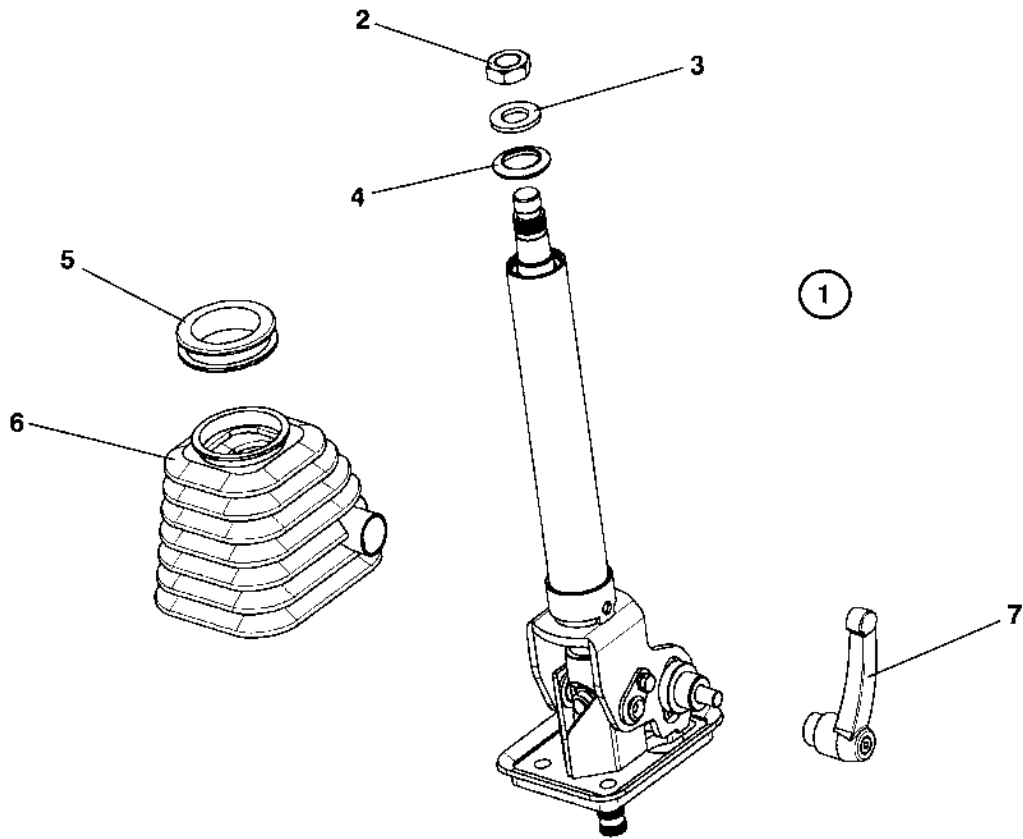
Item	Part No	Rem Qty	Description	Code
1		1	Seat frame (Page 376)	
2	4700904229	8	Washer 8,4x16x1,5	C
3	4700947679	4	Screw	

Seat frame



Seat frame

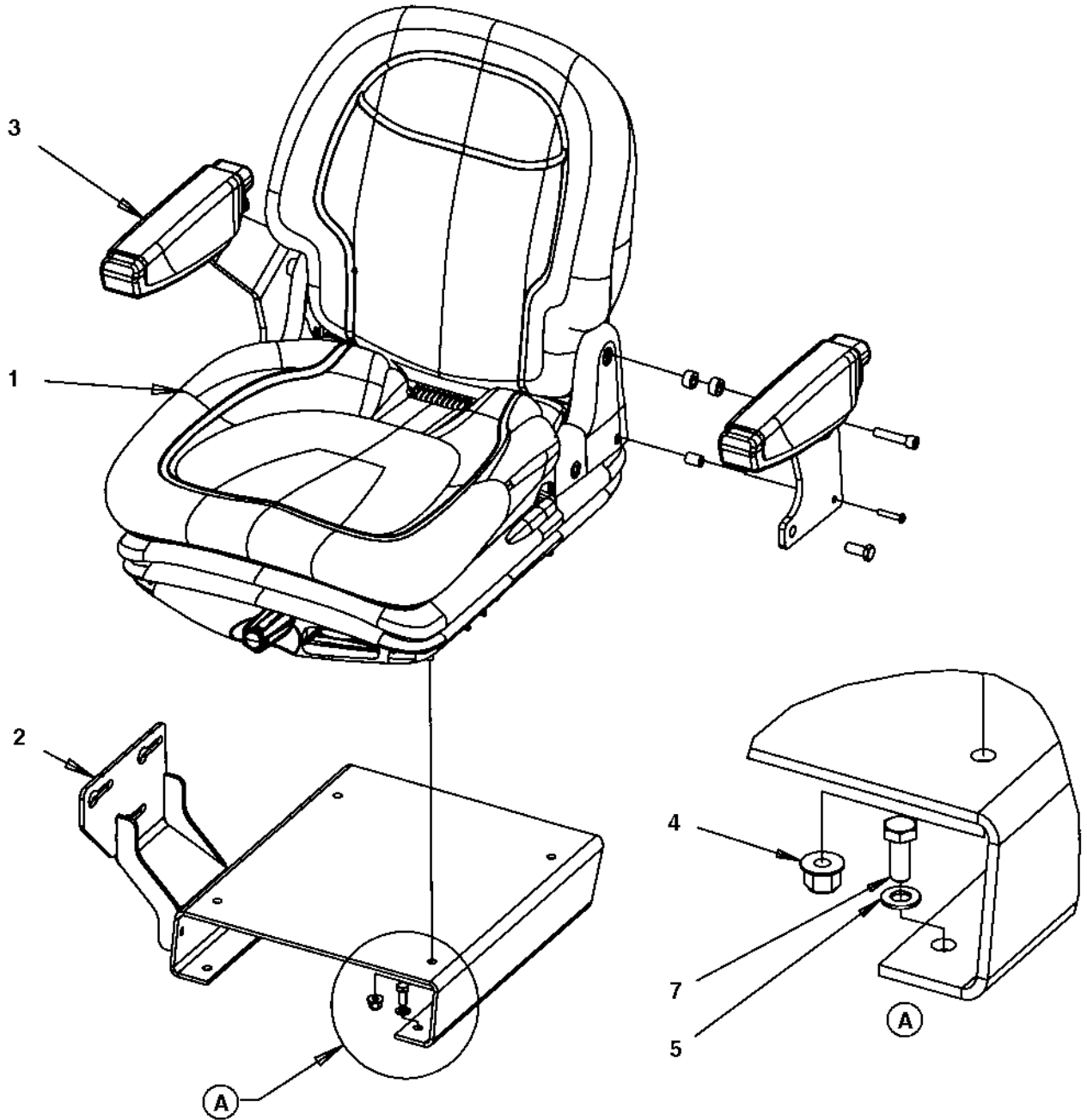
Item	Part No	Rem Qty	Description	Code
1	4700395447	1	Seat frame	
2	4700359919	1	Shaft	C
3	4700903917	1	Bearing outer	B
4	4700903918	1	Bearing inner	B
5	4700391770	1	Shaft	
6	4700359916	2	Chain wheel	D
7	4700379718	1	Chain and connecting link	
8	4700372672	1	Chain guard	D
9	4700392839	1	Cover	
10	4700392840	1	Cover	
11	4700359125	1	Ball bearing	B
12	4700379728	1	Locking disc	
13	4700395383	1	Coupling link	
14	4700359819	1	Bushing	C
15	4700630008	1	Pin	C
16		1	Steering column (Page 378)	D
17	4700359043	1	Spring	D
18	4700359920	1	Plug	C
19	4700372965	1	Lock ring	C
20	4700372964	1	Steering wheel, cpl	D
21	4700516051	2	Set screw	C
22	4700350009	2	Flat key	C
23	4700573008	4	Nut M8	C
24	4700904640	6	Washer 8,4x22x3	C
25	4700500021	2	Screw M8-1,25x25 8.8	C
26	4700904229	6	Washer 8,4x16x1,5	C
27	4700586003	2	Lock nut M8	C
28	4700603001	3	Washer	C
29	4700586002	3	Lock nut M6 -8	C
30	4700792678	4	Screw	
31	4700902520	6	Screw	C
33	4700508029	3	Screw M10-1,5x30H 8,8	C
34	4700904557	3	Steel plain washer	C
35	4700570006	3	Nut	C
37	4700792539	10	Rubber nut	
38	4700791524	10	Screw	



Steering column

Item	Part No	Rem Qty	Description	Code
1			Steering column (Page 378)	D
2	4700945632	1	. Nut	C
3	4700945633	1	. Washer	C
4	4700945634	1	. Rubber cap	C
5	4700945635	1	. Bellows ring	C
6	4700945636	1	. Bellows	C
7	4700945637	1	. Locking handle	D

Seat, galon suspended

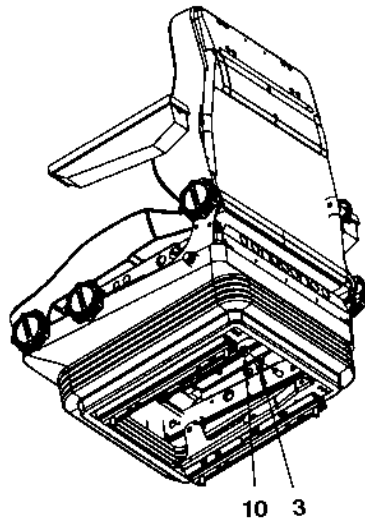
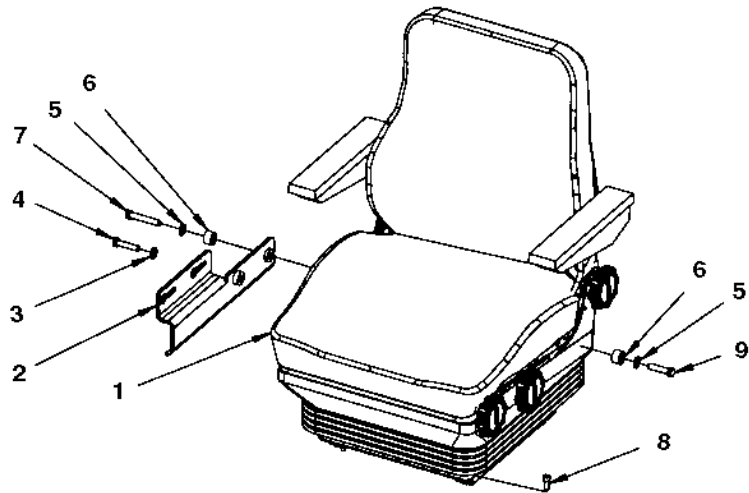


Seat, galon suspended

Item	Part No	Rem Qty	Description	Code
1	4700377518	1	Drivers seat, cpl	D
	4700945622	1	. Seat switch	B
	4700945661	A 1	. Adjuster kit	D
2	4700390561	1	Seat frame	
3	4700390963	1	Arm rest kit	D
4	4700902286	4	Hexagon lock nut with flange	C
5	4700904229	4	Washer 8,4x16x1,5	C
7	4700500053	4	Screw M8x20H 8.8	C

A) Left & right sliding rail

Seat, fabric suspended

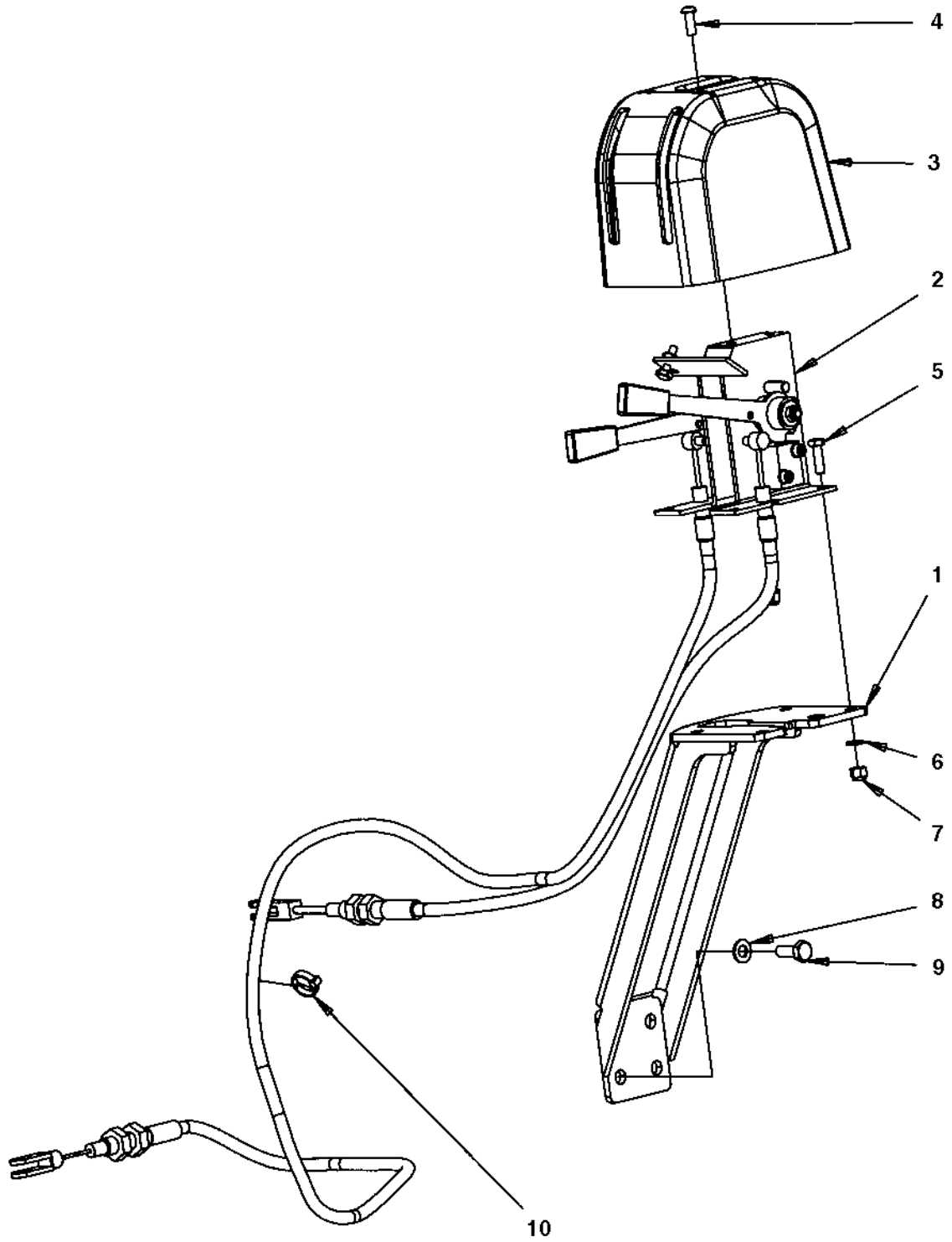


Seat, fabric suspended

Item	Part No	Rem	Qty	Description	Code
1	4700390013	A	1	Seat	
	4700937892		1	. Seat switch	B
	4700937620		1	. Arm rest, right	D
	4700937621		1	. Arm rest, left	D
2	4700390169		1	Bracket	
3	4700904230		2	Steel plain washer	C
4	4700500161		1	Hexagon head screw	C
5	4700904638		2	Washer 12x22x2	
6	4700791572		2	Spacer washer	
7	4700792501		1	Screw	
8	4700508092		4	Screw	C
9	4700792527		1	Screw	
10	4700586018		1	Lock nut	C

A) Without seat belt

Controls, slidable and turning



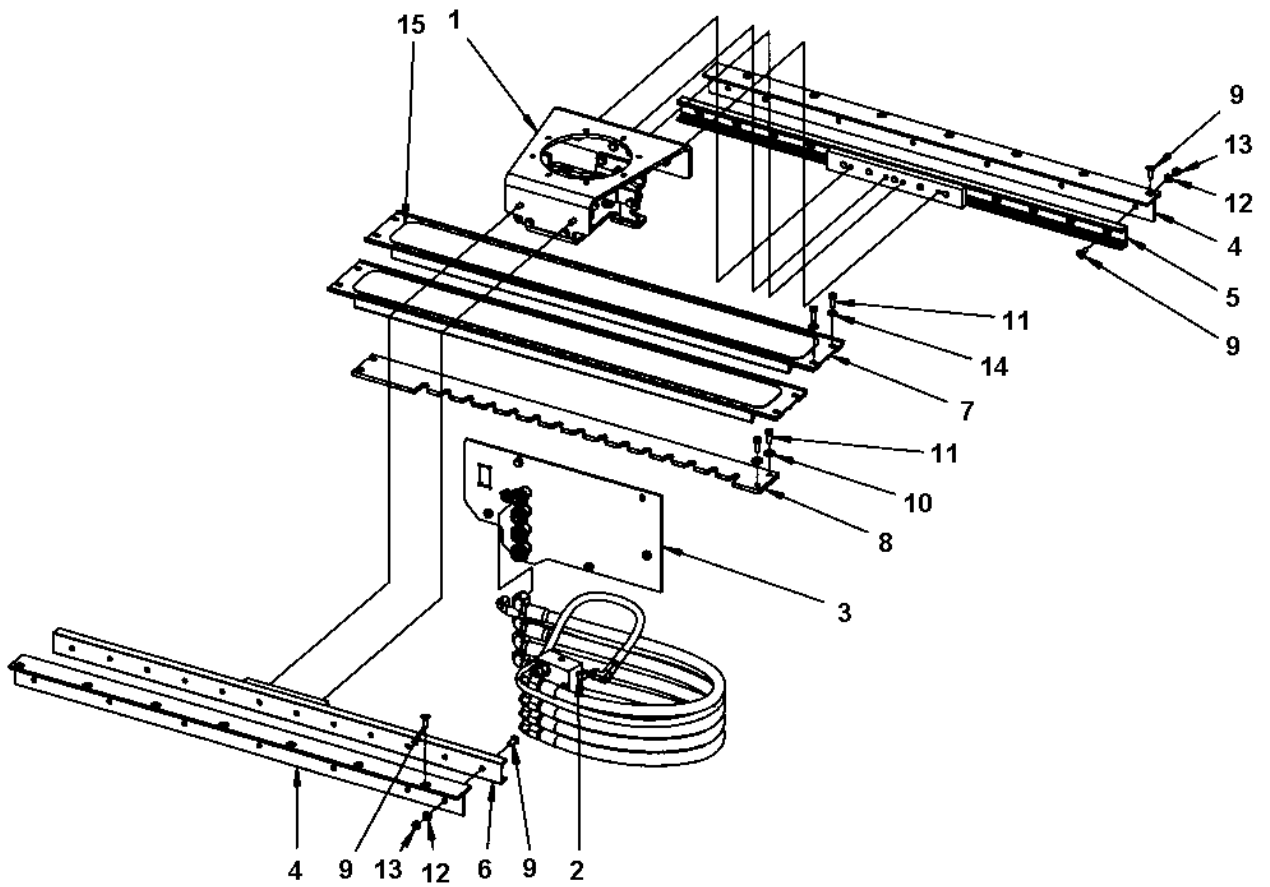
Controls, slidable and turning

Item	Part No	Rem	Qty	Description	Code
1	4700391241		1	Bracket	
2	4700390239		1	Control	
	4700393496	A	1	. Cable 675	
	4700393497	B	1	. Cable 1300	
3	4700392965		1	Control cover	
4	4700791524		2	Screw	
5	4700500040		4	Screw M6-1x20 8,8	C
6	4700904228		4	Washer 6,4x12x1,5	C
7	4700586002		4	Lock nut M6 -8	C
8	4700904229		4	Washer 8,4x16x1,5	C
9	4700500053		4	Screw M8x20H 8.8	C
10	4700313041	N		Cable ties	D

A) Turning

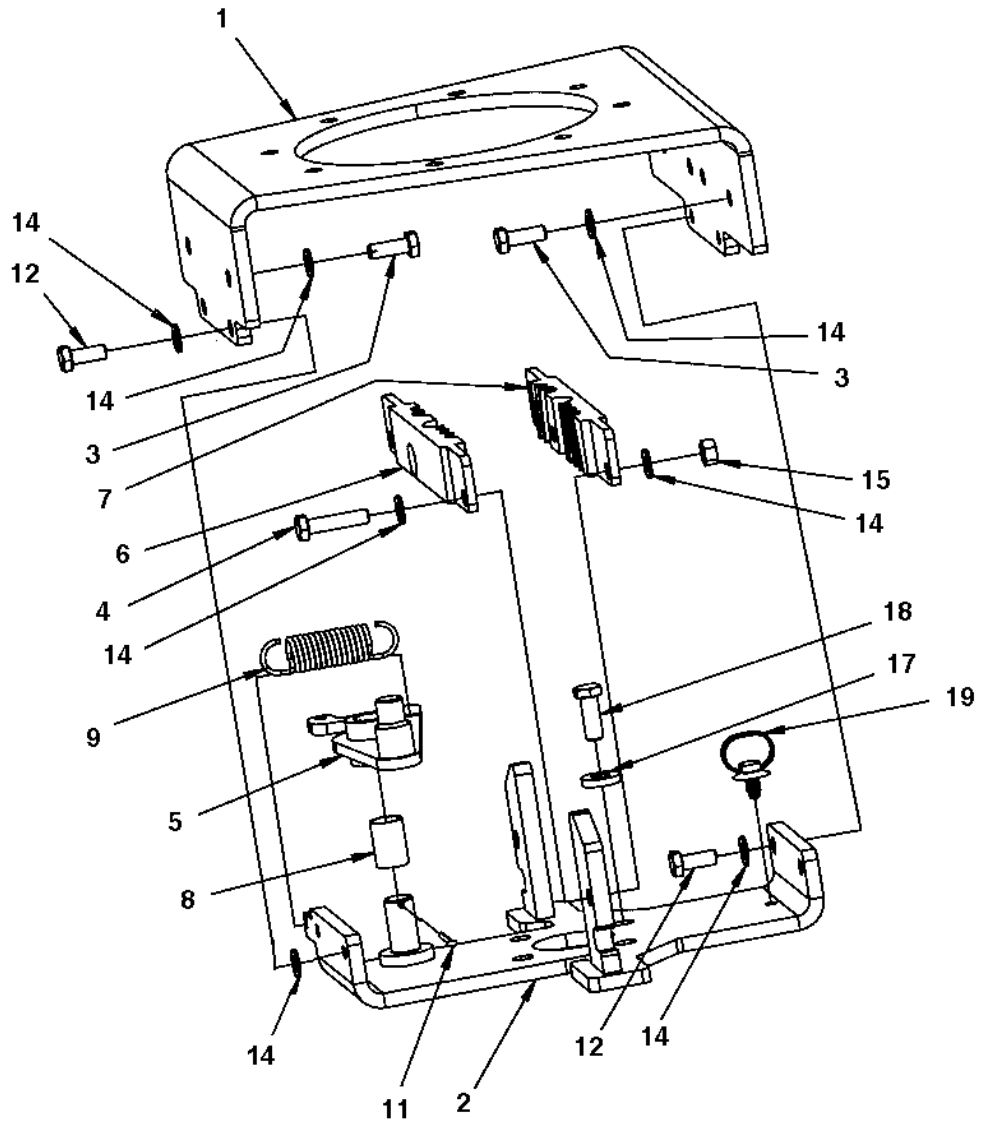
B) Sliding

Cross sliding



Cross sliding

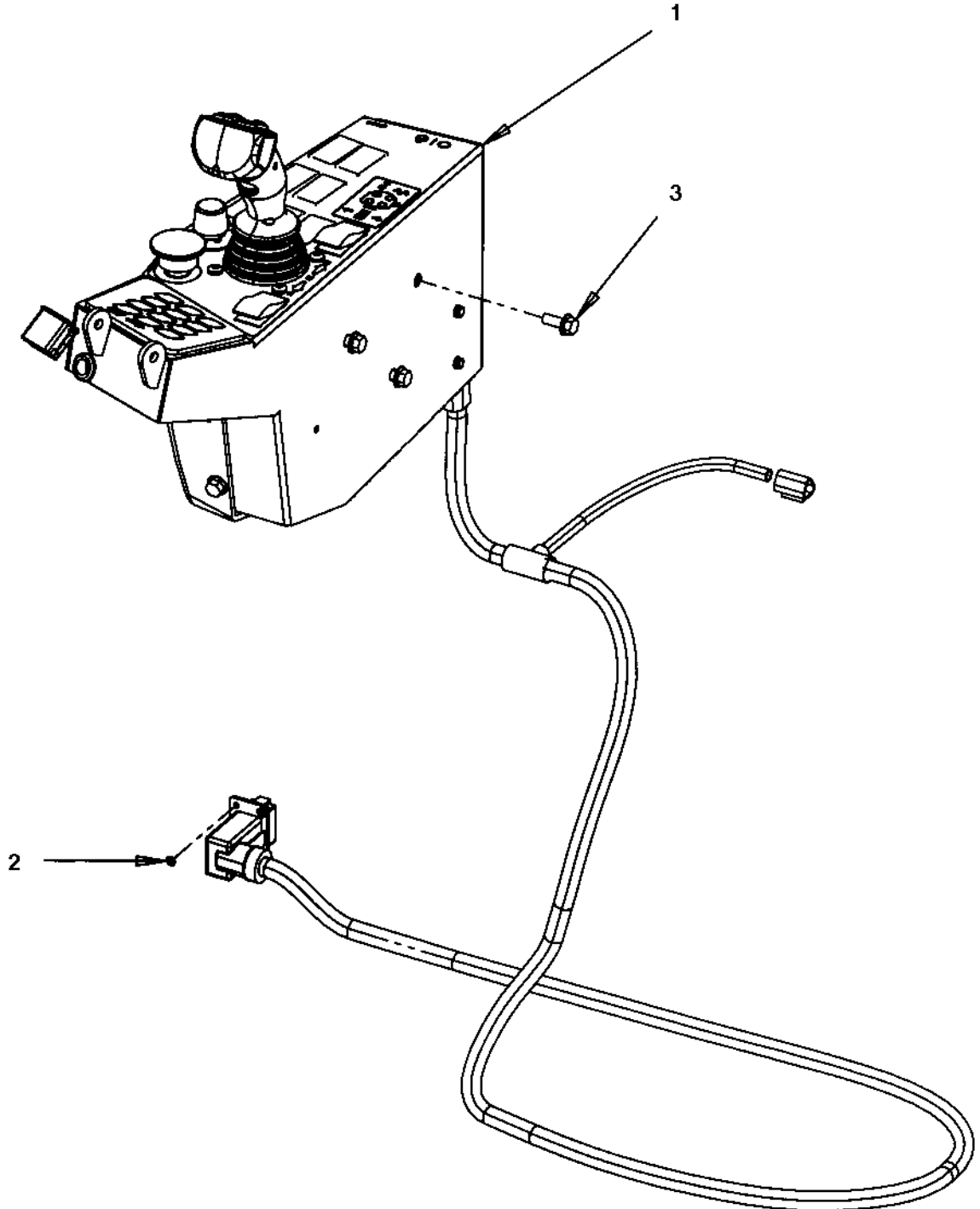
Item	Part No	Rem Qty	Description	Code
1		1	Carrier (Page 388)	
2		1	Steering, slideable (Page 234)	
3		1	Hose bracket (Page 230)	
4	4700392704	2	Rail holder	
5	4700392705	1	Linear bearing	
6	4700392706	1	Linear bearing	
7	4700393427	2	Cover	
8	4700379730	1	Locking rail	
9	4700513003	28	Screw	C
10	4700791304	4	Washer	C
11	4700500020	12	Screw M8-1,25x22 8,8	C
12	4700904229	14	Washer 8,4x16x1,5	C
13	4700570005	14	Nut M8	C
14	4700904556	8	Washer 8,4x16x3,0	C
15	4700393977	2	Slip protection	



Carrier

Item	Part No	Rem Qty	Description	Code
1	4700379715	1	Carrier	
2	4700391478	1	Steering valve bracket	
3	4700500020	6	Screw M8-1,25x22 8,8	C
4	4700500047	2	Hexagon head screw	C
5	4700393347	1	Coupling link	
6	4700372959	2	Clamp	C
7	4700372960	2	Clamp	C
8	4700359819	1	Bushing	C
9	4700359043	1	Spring	D
11	4700630008	1	Pin	C
12	4700500053	4	Screw M8x20H 8.8	C
14	4700904229	18	Washer 8,4x16x1,5	C
15	4700570005	2	Nut M8	C
17	4700904557	4	Steel plain washer	C
18	4700502035	4	Screw 3/8"-16UNCx1 8.8	
19	4700792441	1	Cable tie with holder	
20	4812110896	1 2	Clamp	C

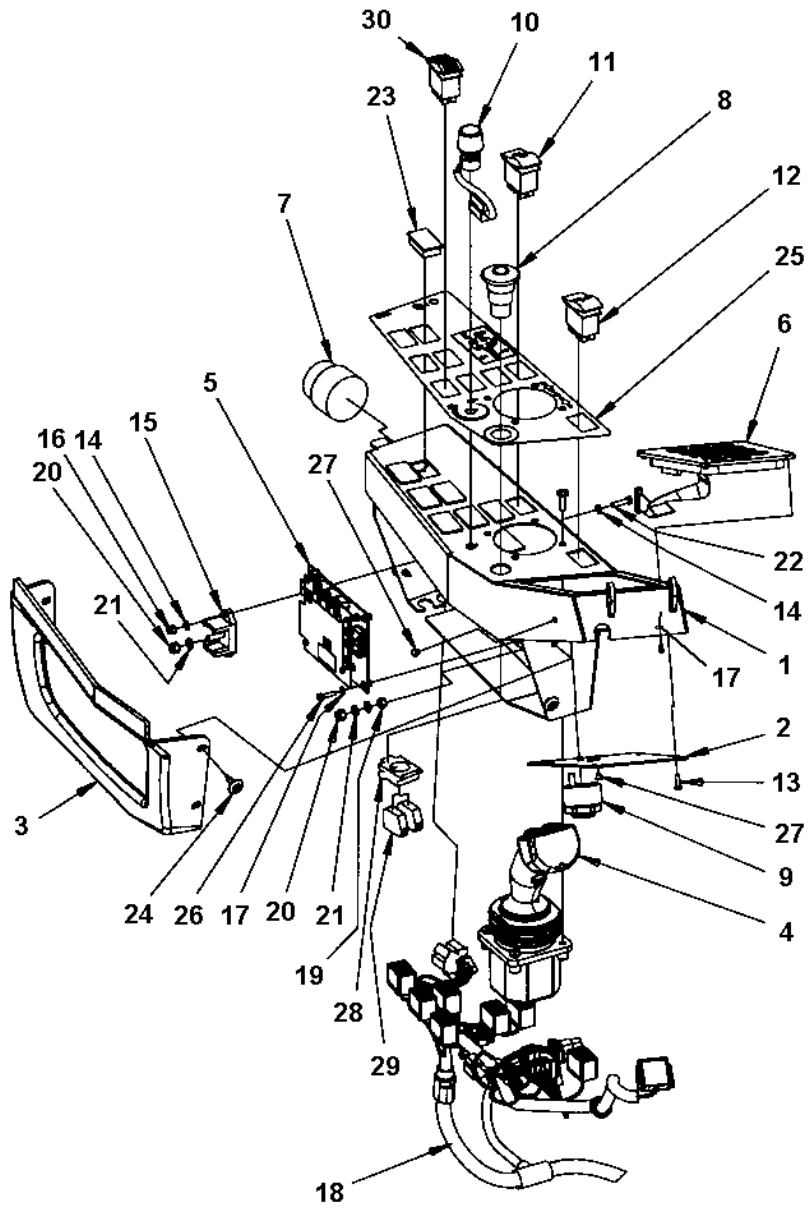
- 1) 2pcs together can replace item 6 and 7.
- 2) Item 6 and 7 can be replaced by 2pcs of item 20.



Drive control, cpl

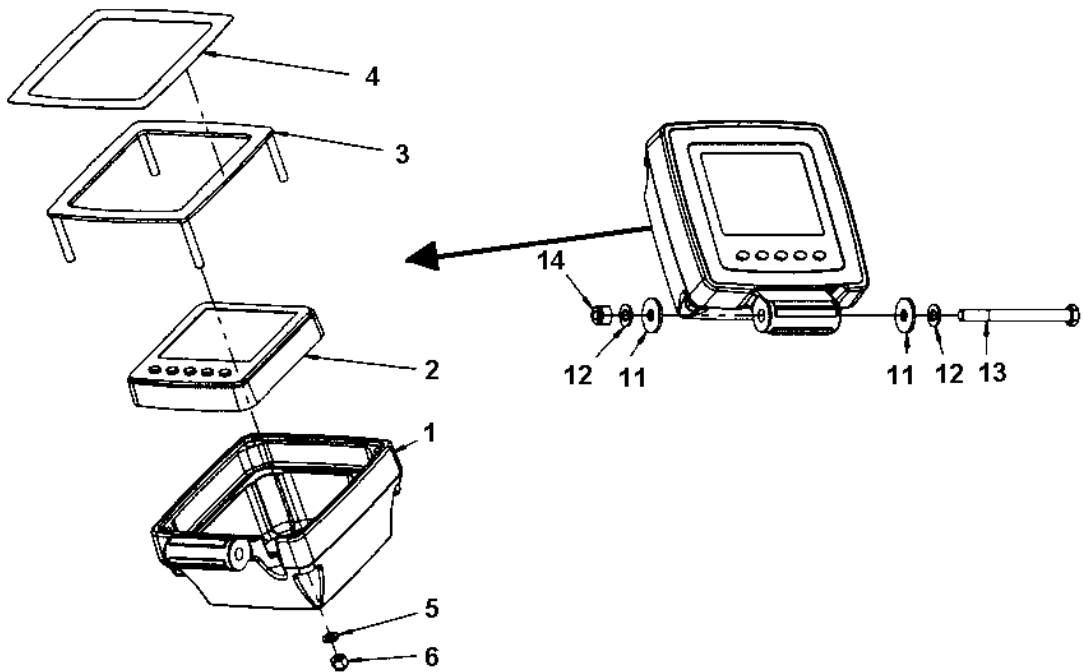
Item	Part No	Rem Qty	Description	Code
1		1	Drive control (Page 392)	
2	4700791709	4	Pop rivet	C
3	4700500505	3	Screw M8x20 8.8	

Drive control



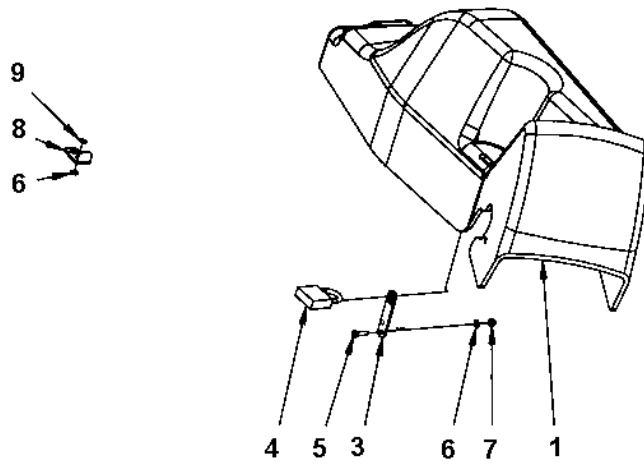
Drive control

Item	Part No	Rem Qty	Description	Code
1	4700396661	1	Control box	
2	4700391396	1	Cover	
3	4700396662	1	Cover	
4	4700391420	1	Control handle	
5	4700390861	1	Control unit	
6	4700391421	1	Membrane switch panel	
7	4812110901	1	Ignition switch	
	4700940451	1	. Key	
8	4700791739	1	Emergency stop	
9	4700385599	1	Buzzer	B
10	4700388737	1	Potentiometer	B
11	4700791582	1	Switch, parking brake	
12	4700792414	1	Switch, RPM	
13	4700526010	4	Thread rolling screw	
14	4700904281	4	Washer 5,3x10x1 300HV	C
15	4700392930	1	Junction box	D
16	4700586001	2	Lock nut	C
17	4700904698	4	Washer	C
18	4812110989	1	Cable harness	
19	4700570004	1	Nut M6X1,00 -8 A2K	C
20	4700586002	2	Lock nut M6 -8	C
21	4700904228	3	Washer 6,4x12x1,5	C
22	4700500060	2	Screw M5-0,8x20 8.8	C
23	4700791588	7	Panel plug	
24	4700395785	4	Expansion rivet	
25	4700393031	1	Decal	
26	4700508022	4	Screw M4x16	
27	4700902804	5	Plug	
28	4700791733	1	Fixing collar	C
29	4700791723	2	Connector	
30	4700792812	1	Switch, displacement shift	



Display unit

Item	Part No	Rem Qty	Description	Code
1	4700392717	1	Display holder	
2	4700391240	1	Display unit	
3	4700392719	1	Cover	
4	4700393094	1	Decal	
5	4700904228	4	Washer 6,4x12x1,5	C
6	4700586002	4	Lock nut M6 -8	C
11	4700903662	2	Washer	C
12	4700904229	2	Washer 8,4x16x1,5	C
13	4700500115	1	Screw M8-1,25x90 8.8	C
14	4700586003	1	Lock nut M8	C



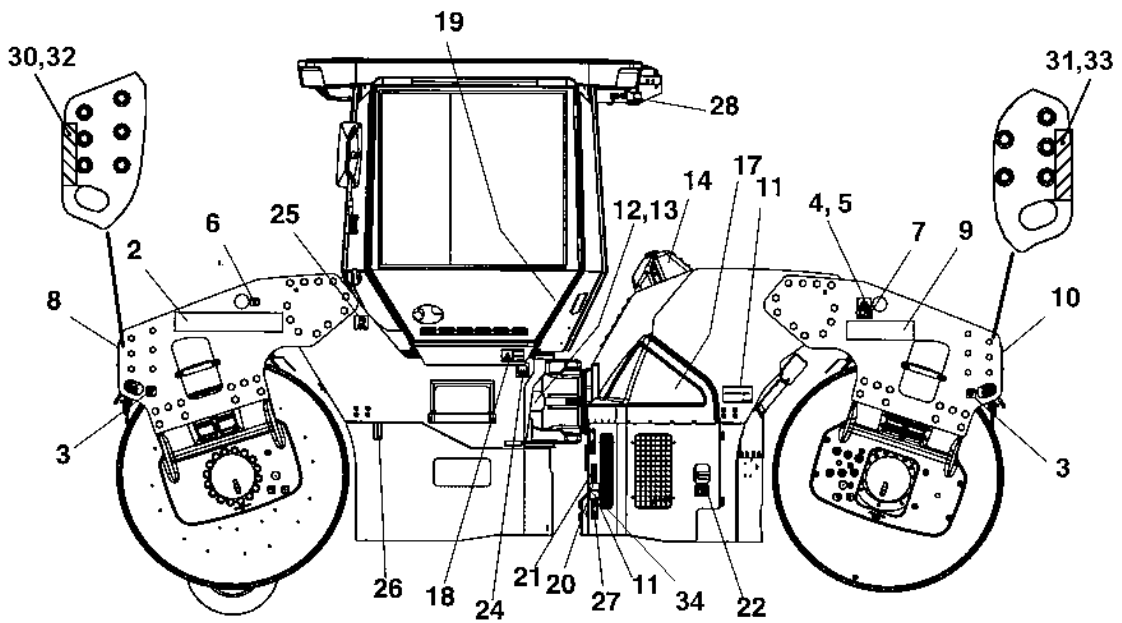
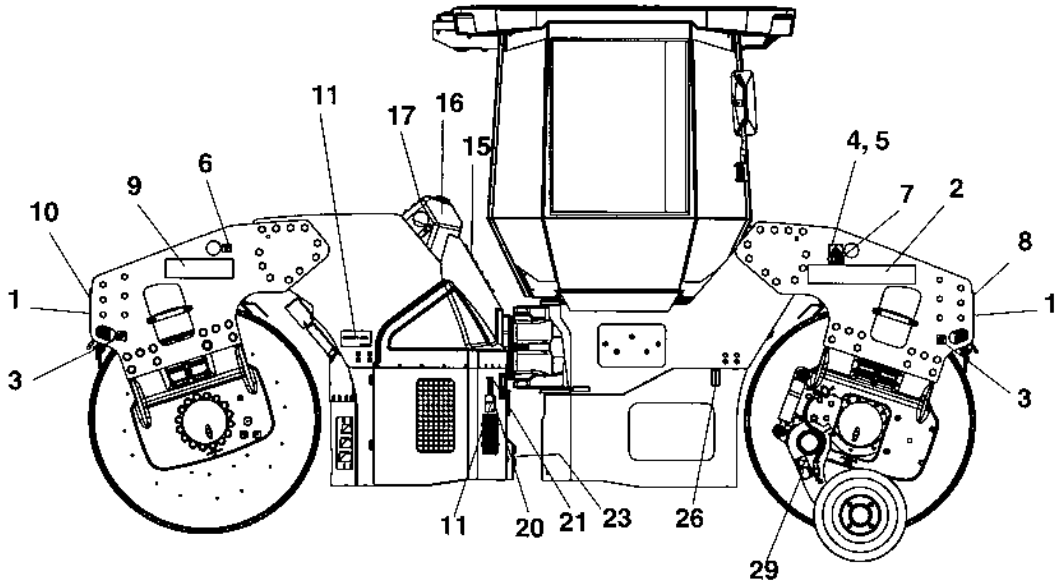
Control panel cover

Item	Part No	Rem Qty	Description	Code
1	4700395947	1	Instrument panel cover	
3	4700387545	1	Latch	
4	4700358881	1	Pad lock	D
5	4700904653	2	Screw M5x16 A2-70	C
6	4700904281	4	Washer 5,3x10x1 300HV	C
7	4700586001	2	Lock nut	C
8	4700396670	1	Bracket	
9	4700904619	2	Blind rivet	C

Decals

Item	Part No	Rem Qty	Description	Code
1			Decals (Page 400)	

Decals

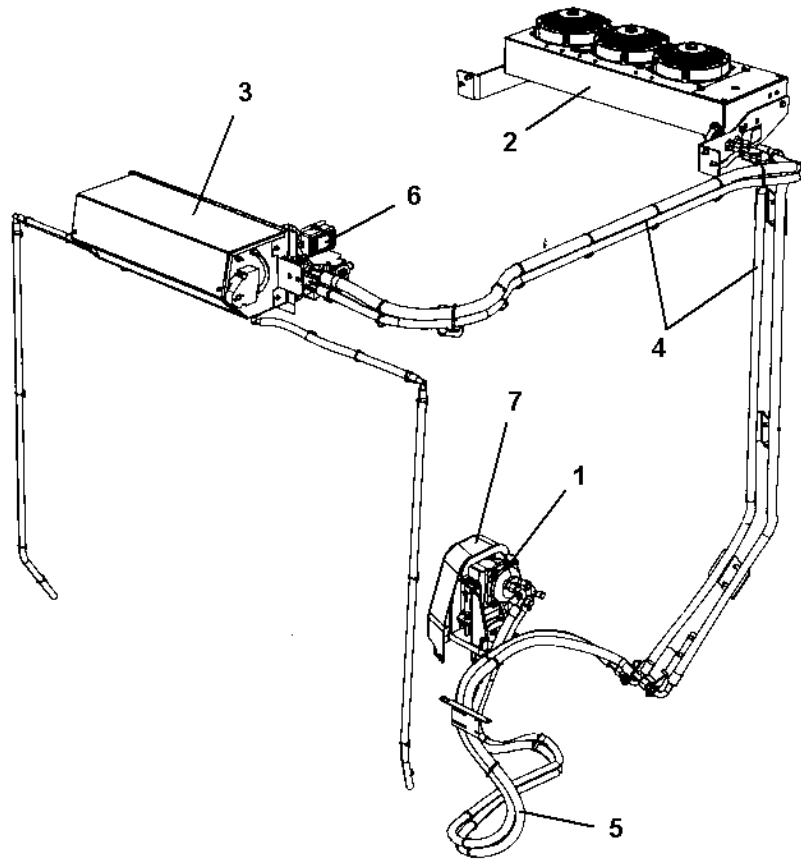


Decals

Item	Part No	Rem Qty	Description	Code
1	4700904094	2	Decal "DYNAPAC" L=670 mm	
2	4700904092	2	Decal "DYNAPAC" L=590 mm	D
3	4700382751	4	Decal "TIE DOWN POINT"	D
4	4700904870	2	Lifting sign	D
5	4700624005	8	Blind rivet 3,2x6,1	C
6	4700357587	2	Decal "LIFT POINT"	D
7	4700908229	2	Safety decal	D
8	4700377743	2	Reflector, white	D
9	4700792571	2	Decal "MODEL CODE" CC324HF	
10	4700377742	2	Reflector, red	D
11	4700903422	4	Decal "SAFETY"	D
12		1	Product identification plate	D
13	4700624005	4	Blind rivet 3,2x6,1	C
14	4700272372	1	Decal "HYDRAULIC OIL "	D
	4700904601	1	Decal "BIO HYDRAULIC OIL"	D
	4700792772	1	Decal "BIO HYDRAULIC OIL" PANOLIN	D
15	4700272373	1	Decal "HYDRAULIC OIL "	D
16	4700388449	1	Decal "Engine coolant fill"	
17	4700791642	2	Decal "WARNING" Use of starting fluid prohib.	D
18	4700903459	1	Decal "SAFETY"	D
19	4700903425	2	Decal "SAFETY MANUAL "	D
20	4700903423	2	Decal "SAFETY"	D
21	4700903424	2	Decal "HOT SURFACE"	D
22	4700904835	1	Decal "BATTERY POWER"	D
23	4700393959	1	Decal "24V"	
24	4700991657	1	Decal "WATER"	D
25	4700991658	1	Decal "FUEL"	D
26	4700377744	2	Reflector, yellow	D
27	4700791276	1	Decal "Sound power level" 106dB	D
	4700791277	1	Decal "Sound power level" 107dB	D
28	4700904165	1	Safety decal Toxic gases	D
29	4700904083	1	Safety decal	D
30	4700394596	2	Decal "Risk location"	
31	4700394594	2	Decal "Risk location"	
32	4700394593	2	Decal "Risk location"	
33	4700394595	2	Decal "Risk location"	
34	4700904895	1	Safety decal "Brake release"	D

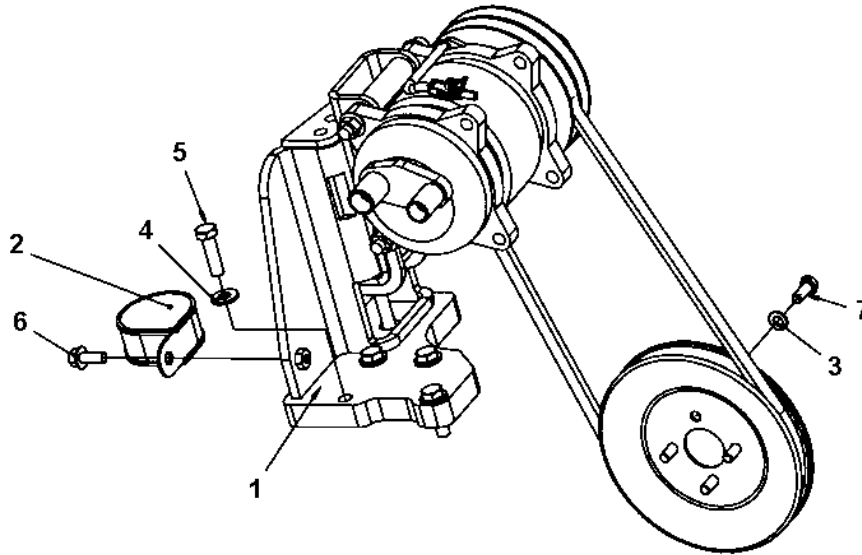
Optional equipment

Item	Part No	Rem Qty	Description	Code
1			Air conditioning (Page 404)	
2			Fire extinguisher/First Aid Cushion (Page 432)	



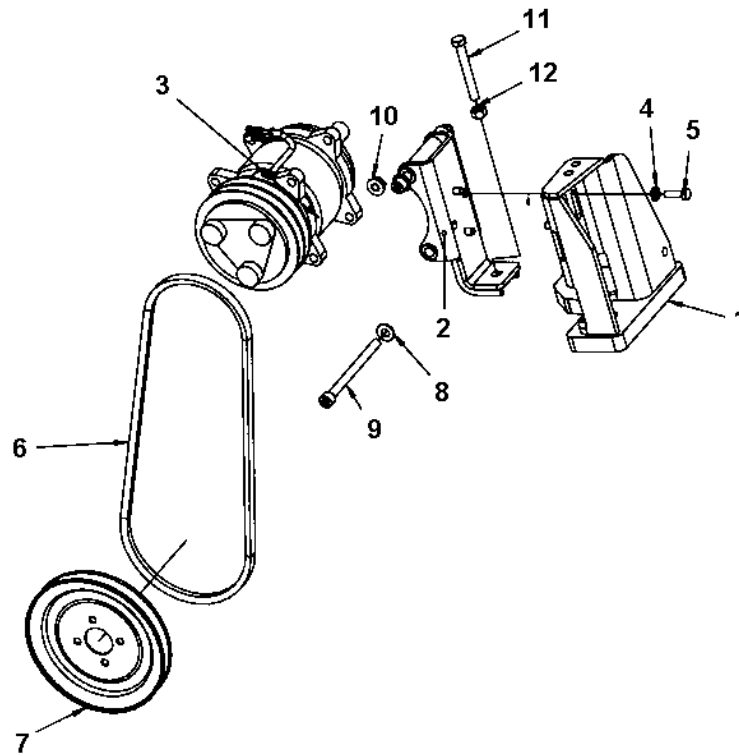
Air conditioning

Item	Part No	Rem Qty	Description	Code
1		1	Compressor module (Page 406)	
2		1	Condensor module (Page 410)	
3		1	Evaporator module (Page 414)	
4		1	Hose kit AC (Page 418)	
5		1	Hose kit Compressor (Page 422)	
6		1	ACC module (Page 426)	
7		1	Belt guard module (Page 430)	



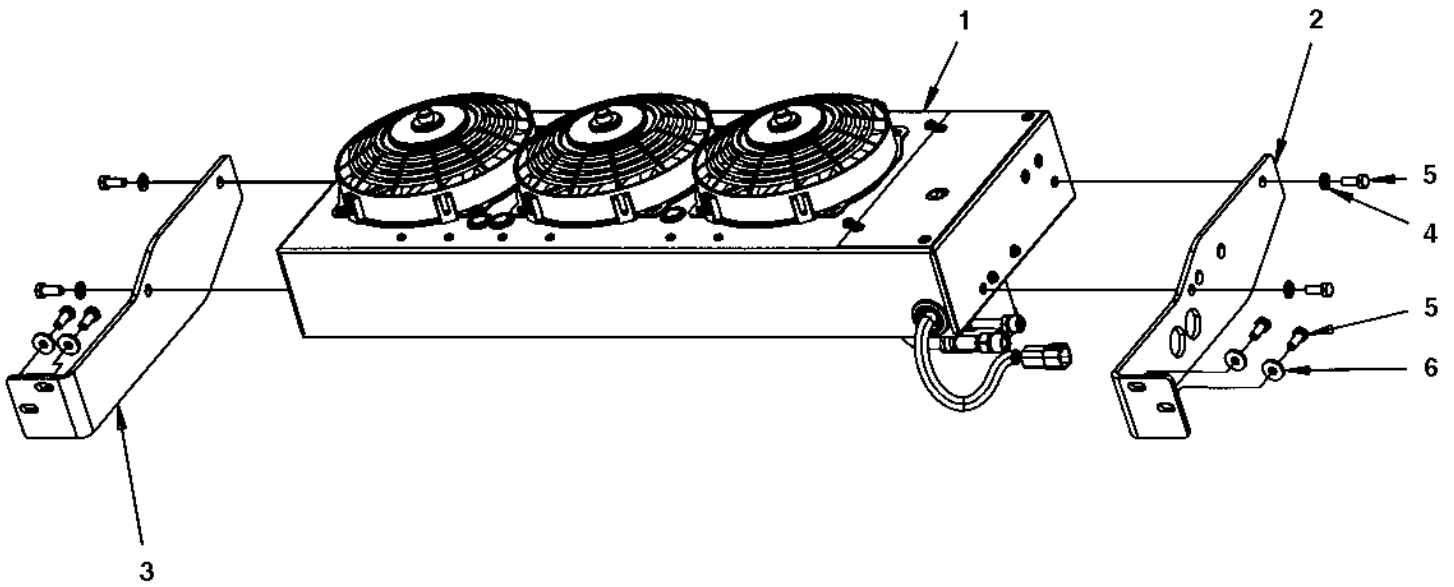
Compressor module

Item	Part No	Rem Qty	Description	Code
1		1	Compressor complete (Page 408)	
2	4700904352	1	Clamp	
3	4700904229	4	Washer 8,4x16x1,5	C
4	4700904230	4	Steel plain washer	C
5	4700500030	4	Hexagon head screw	C
6	4700500505	1	Screw M8x20 8.8	
7	4700500053	4	Screw M8x20H 8.8	C



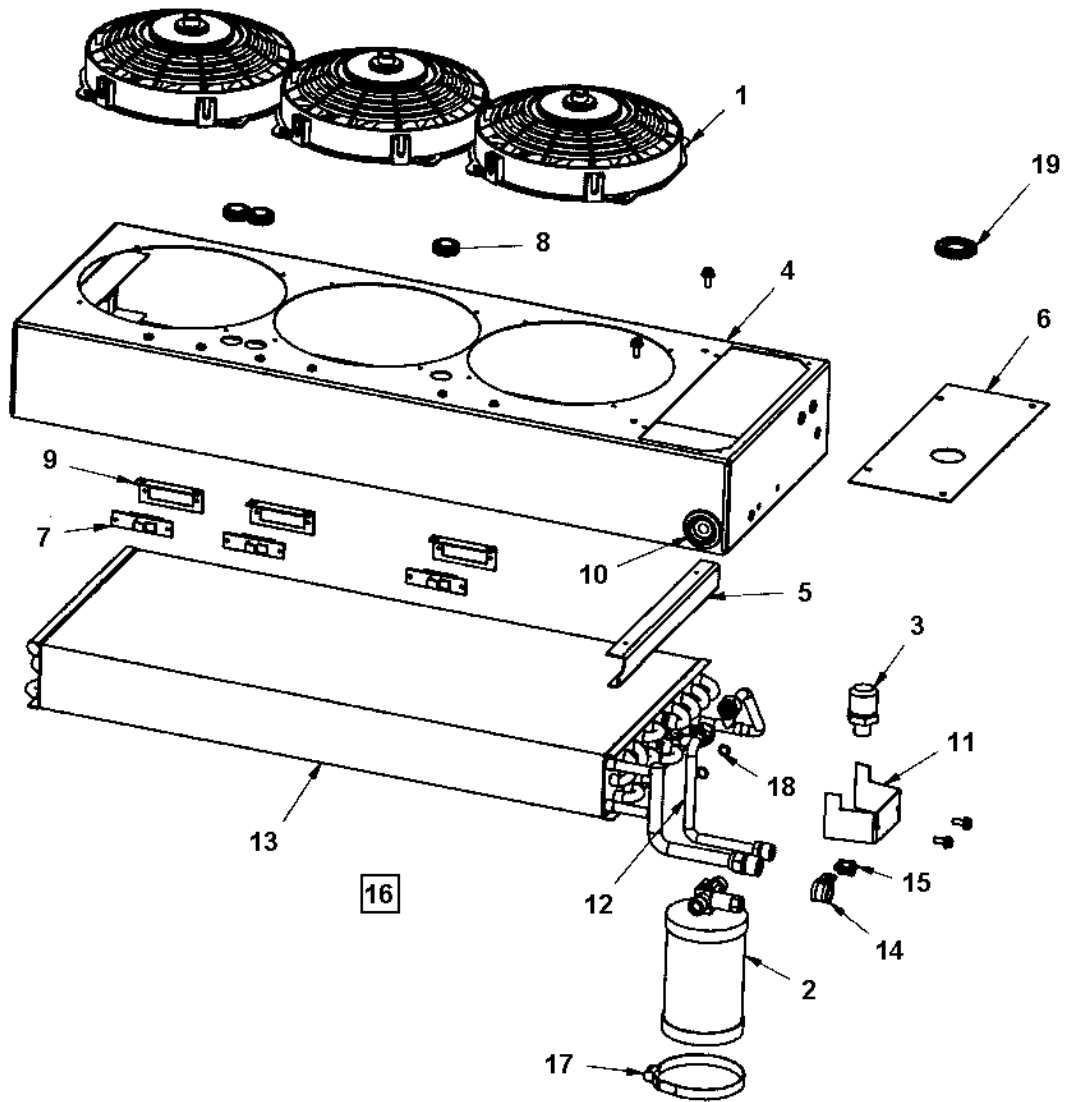
Compressor complete

Item	Part No	Rem Qty	Description	Code
1	4700394861	1	Compressor bracket	
2	4700394860	1	Compressor bracket	
3	4700396036	1	Compressor	
4	4700904556	2	Washer 8,4x16x3,0	C
5	4700500021	2	Screw M8-1,25x25 8.8	C
6	4700410012	1	V-belt	
7	4700395192	1	V-belt pulley	
8	4700904230	2	Steel plain washer	C
9	4700792797	2	Hexagon socket head cap screw m	
10	4700570103	2	Nut M10	
11	4700500241	1	Screw	
12	4700570006	1	Nut	C



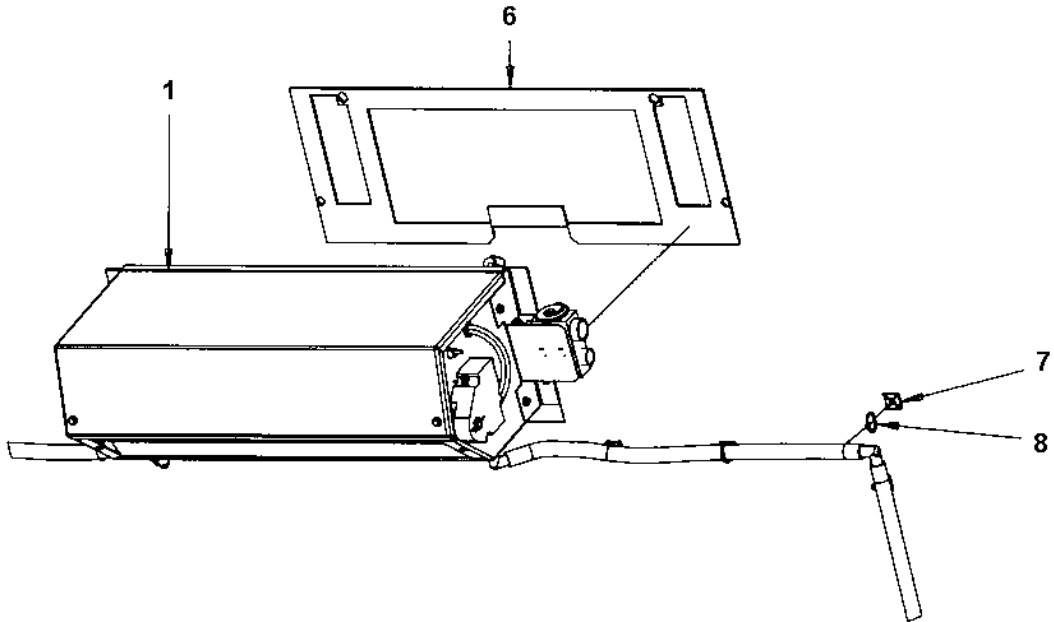
Condensor module

Item	Part No	Rem Qty	Description	Code
1		1	Condensor (Page 412)	
2	4700393222	1	Bracket	
3	4700393223	1	Bracket	
4	4700904229	4	Washer 8,4x16x1,5	C
5	4700500053	8	Screw M8x20H 8.8	C
6	4700904640	4	Washer 8,4x22x3	C



Condensor

Item	Part No	Rem Qty	Description	Code
1	4700950372	3	Fan	
2	4700950373	1	Dryer	
3	4700938605	1	Pressure switch	B
4		1	Casing	B
5		1	Bracket	B
6		1	Cover	B
7	4700938606	3	Resistor	B
8	4700938609	3	Grommet	
9	4812155658	3	Resistor bracket	
10		1	Grommet	
11		1	Bracket	
12		1	Copper tube	
13	4700950374	1	Condensor Coil	
14		1	Clamp	
15		1	Clamp	
16	4700950375	1	Cable harness	
17	4700938789	1	Clamp	C
18		2	O-ring	C
19		1	Grommet	C

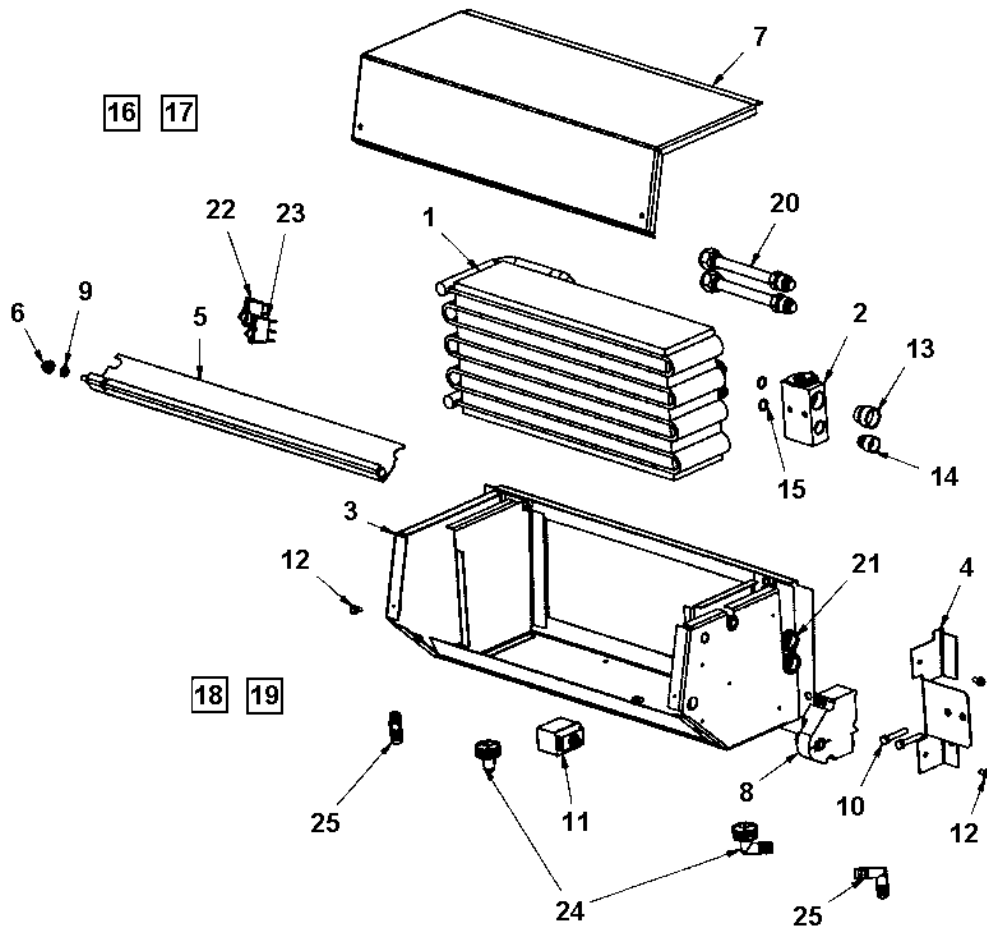


Evaporator module

Item	Part No	Rem	Qty	Description	Code
1	4700393584		1	Evaporator unit (Page 416)	
6	4700297018	A	1XL	Rubber strip	D
7	4700395352		14	Cable tie holder	
8	4700313068		14	Cable ties L=92 mm	D

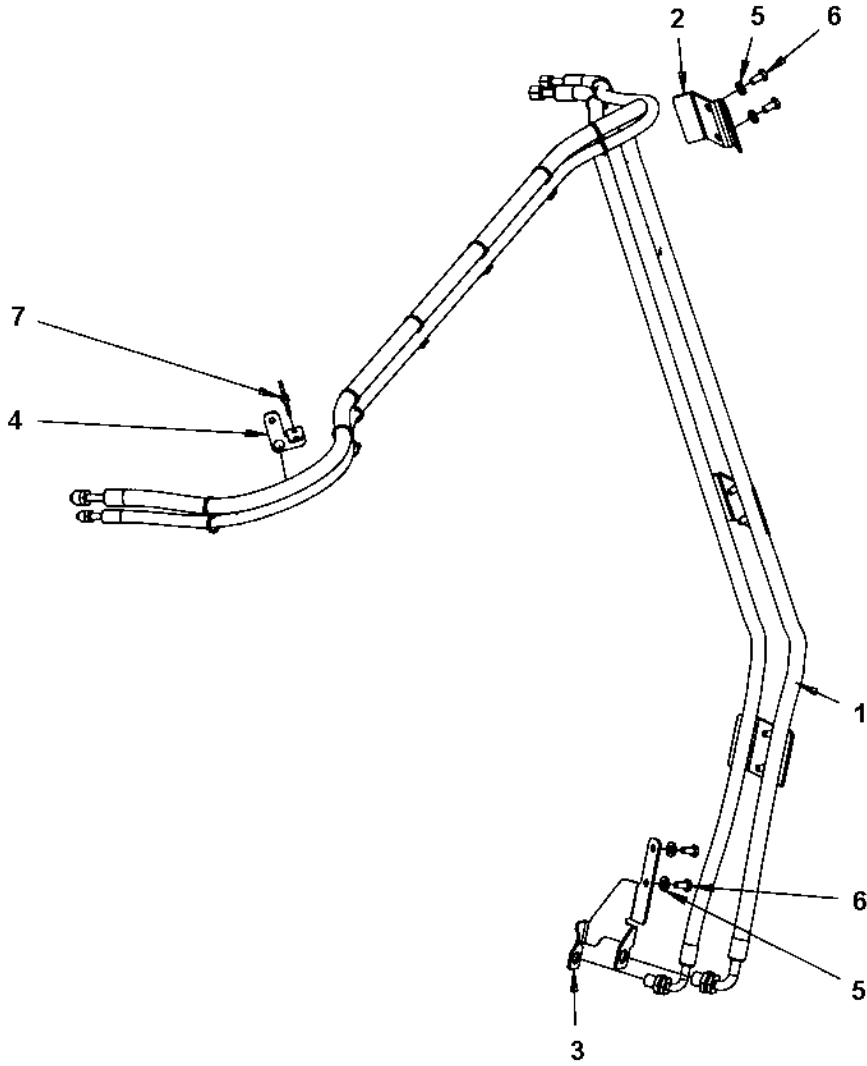
A) L= 1,6 m

4700393584 Evaporator unit



4700393584 Evaporator unit

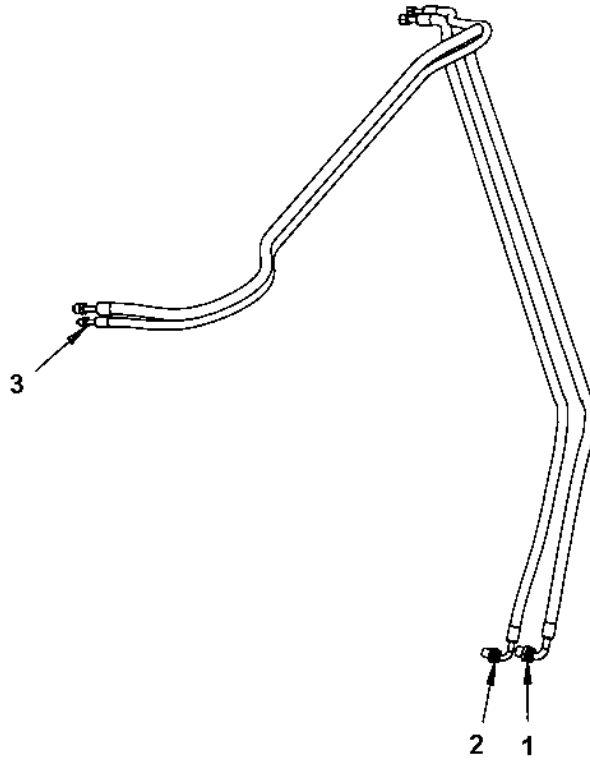
Item	Part No	Rem Qty	Description	Code
1	4700950310	1	Evaporator coil	
2	4700950342	1	Block valve	
3		1	Casing	
4		1	Bracket	
5		1	Recirculation cover	
6		1	Bushing	
7		1	Cover	
8	4700950343	1	Actuator motor	
9		1	Washer	
10		2	Screw M6x35	
11	4700950344	1	Thermostat	
12		4	Screw M5x10	
13		1	Plug	
14		1	Plug	
15	4700950345	2	O-ring	
16	4700950346	1	Cable harness, recirc.	
17	4700950347	1	Cable harness, panel	
18		1	Drain hose	
19		1	Drain hose	
20		2	Connect tube	
21		2	Insulation tape	
22	4700950348	1	Switch, air condition	
23	4700950349	1	Switch, recirculation	
24	4700950350	2	Drain valve	
25	4700950380	2	Drain elbow	



Hose kit AC

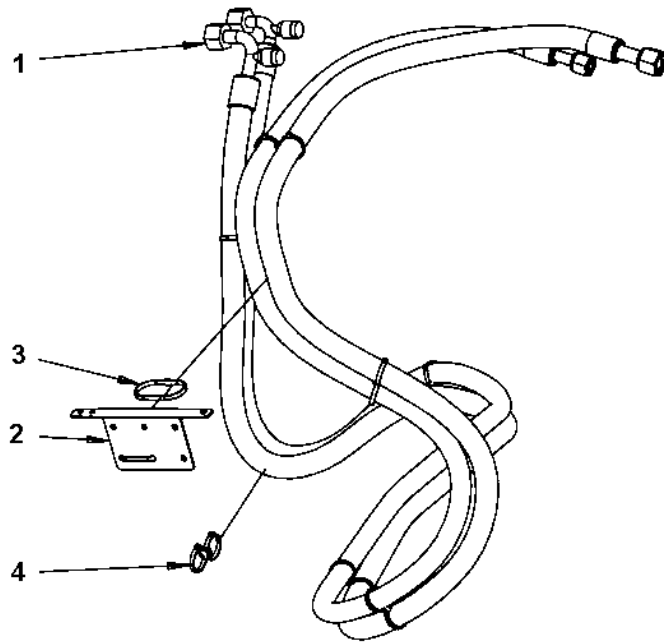
Item	Part No	Rem Qty	Description	Code
1		1	Hose kit AC (Page 420)	
2	4700393418	3	Bracket	
3	4700394920	1	Bracket	
4	4700395156	1	Bracket	
5	4700904557	8	Steel plain washer	C
6	4700500048	8	Screw M10-1,5x20 8,8	C
7	4700792686	9	Cable tie with holder	

Hose kit AC



Hose kit AC

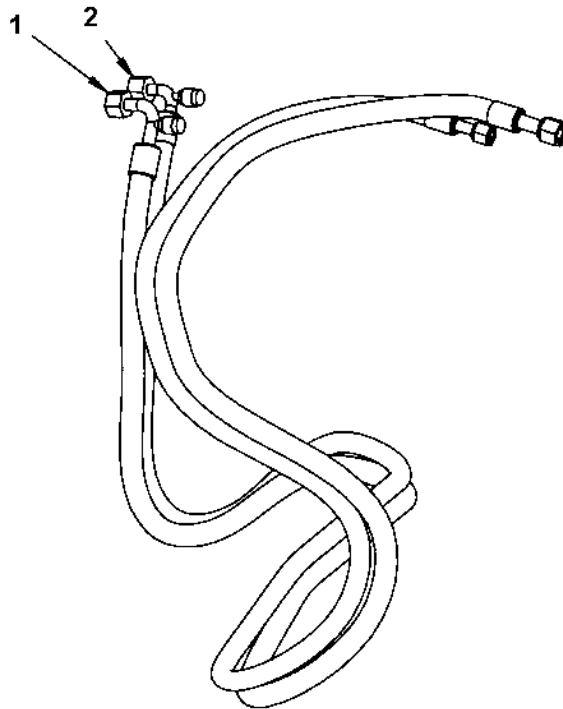
Item	Part No	Rem Qty	Description	Code
1	4700395096	1	Refrigerant hose	
2	4700395095	1	Refrigerant hose	
3	4700395093	1	Refrigerant hose	



Hose kit Compressor

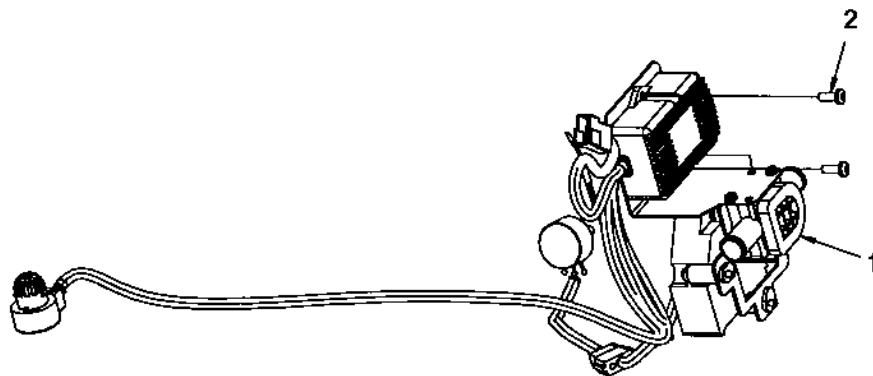
Item	Part No	Rem Qty	Description	Code
1		1	Hose kit AC (Page 424)	
2	4700394707	1	Bracket	
3	4700313041	N	Cable ties	D
4	4700792686	10	Cable tie with holder	

Hose kit AC



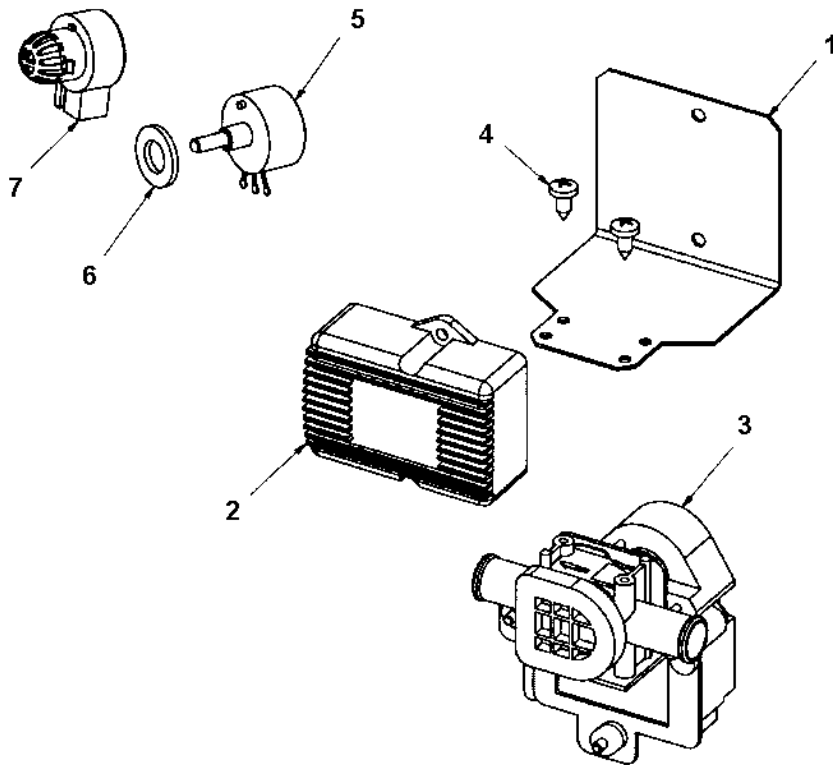
Hose kit AC

Item	Part No	Rem Qty	Description	Code
1	4700395097	1	Refrigerant hose	
2	4700395094	1	Refrigerant hose	



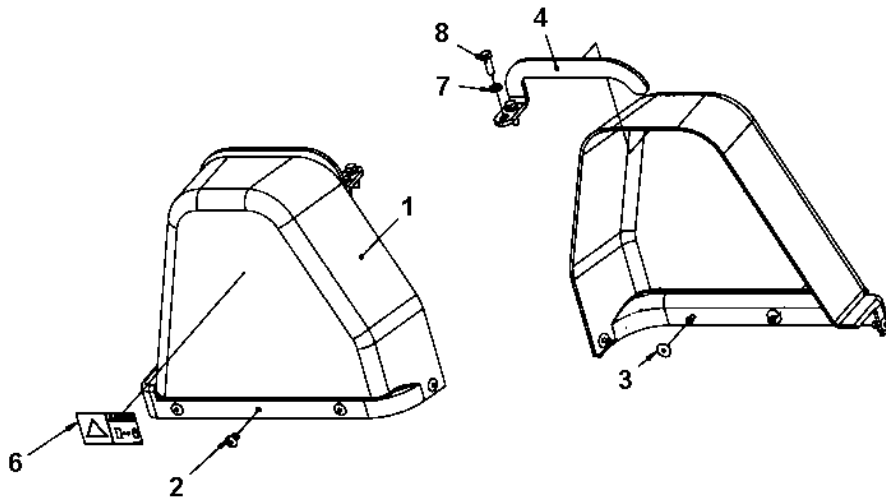
ACC module

Item	Part No	Rem Qty	Description	Code
1		1	ACC controls (Page 428)	
2	4700792187	2	Screw M5x14	



ACC controls

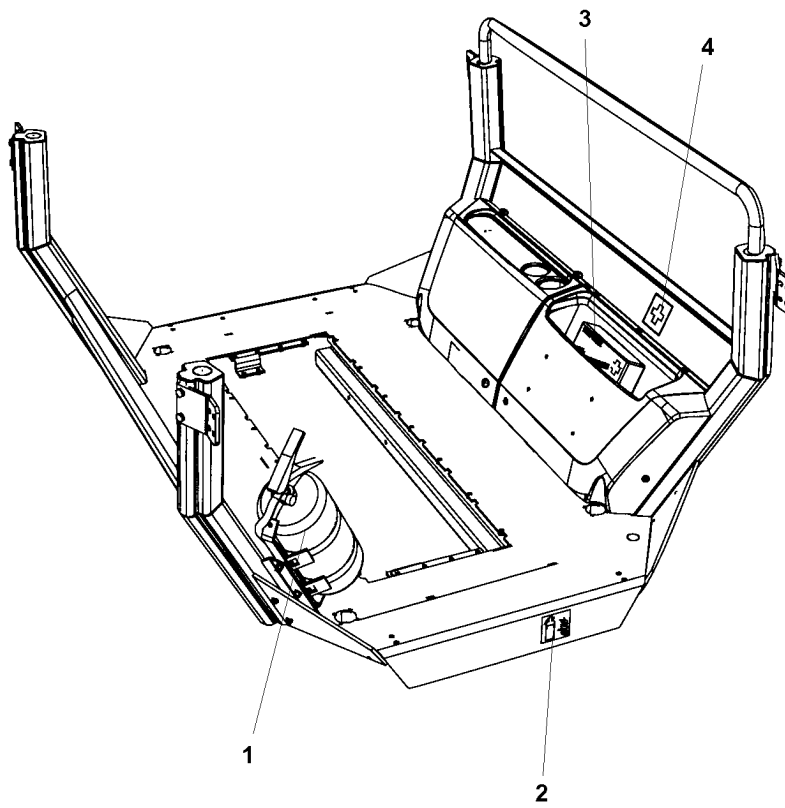
Item	Part No	Rem Qty	Description	Code
1		1	Bracket	
2	4700950369	1	ATM unit	
3	4700950370	1	Heater valve	
4		2	Screw	
5	4700950371	1	Potentiometer	
6		1	Washer	
7	4700938624	1	Sensor	B



Belt guard module

Item	Part No	Rem Qty	Description	Code
1	4700394148	1	Belt guard	
2	4700792325	5	Blind rivet	
3	4700927974	5	Washer	
4	4700396003	1	Bracket	
6	4700903423	1	Decal "SAFETY"	D
7	4700904556	2	Washer 8,4x16x3,0	C
8	4700500021	2	Screw M8-1,25x25 8.8	C

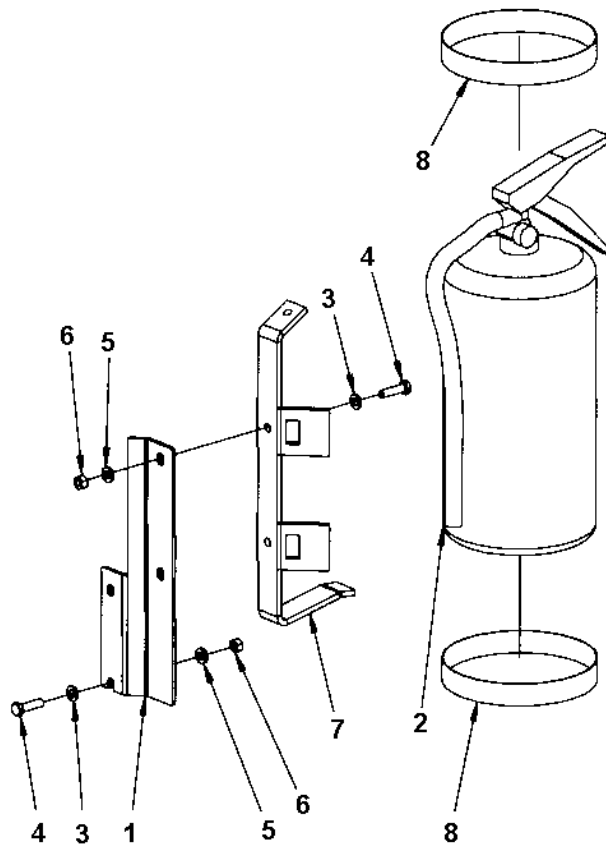
Fire extinguisher/First Aid Cushion



Fire extinguisher/First Aid Cushion

Item	Part No	Rem Qty	Description	Code
1		1	Fire extinguisher assembly (Page 434)	
2	4700792634	1	Decal fire extinguisher	
3	4700394395	1	First aid cushion	
4	4700902509	1	Decal	

Fire extinguisher assembly



Fire extinguisher assembly

Item	Part No	Rem Qty	Description	Code
1	4700393862	1	Bracket	
2		1	Fire extinguisher	
3	4700904229	4	Washer 8,4x16x1,5	C
4	4700500022	4	Screw M8x30H 8.8 A2K	C
5	4700904556	4	Washer 8,4x16x3,0	C
6	4700570005	4	Nut M8	C
7	4700378860	1	Holder	
8	4700378861	2	Strap	

NUMERICAL INDEX

Part Number	Page	Part Number	Page	Part Number	Page
4700114060	17,161,167	4700358732	221	4700386966	179
4700116041	167	4700358881	51,91,397	4700387545	397
4700135015	45	4700359043	377,389	4700388449	401
4700151015	45	4700359125	377	4700388737	393
4700160045	17,161	4700359192	149	4700388846	53
4700160105	167	4700359819	377,389	4700389821	29
4700160277	45	4700359887	29	4700389859	57
4700160279	167	4700359916	377	4700389917	29
4700160287	235	4700359919	377	4700390013	383
4700160313	77,85,87	4700359920	377	4700390060	99
4700160344	17,161,167	4700359955	159	4700390072	131
4700162004	195	4700359998	305,333	4700390080	131
4700162006	51	4700370059	305,309	4700390155	317
4700162015	51,229	4700370155	235	4700390160	167
4700162017	159	4700370286	317,321	4700390169	383
4700162027	159,167	4700370745	29,37	4700390229	57
4700184111	51	4700372672	377	4700390239	385
4700202057	39,59,61	4700372718	29,37	4700390365	59,61
4700205112	175,365	4700372959	389	4700390434	273,275
4700212210	165	4700372960	389	4700390435	285
4700232039	195	4700372964	377	4700390436	273,275,285
4700232056	51	4700372965	377	4700390463	151
4700232231	175	4700373183	149	4700390533	45
4700233215	135	4700373363	305,309	4700390534	45
4700272372	401	4700373399	309	4700390538	45
4700272373	401	4700376922	227	4700390539	45
4700281431	57	4700377507	361	4700390541	45
4700287295	51	4700377508	361	4700390542	45
4700287643	325	4700377518	381	4700390543	45
4700297018	415	4700377677	373	4700390545	59,61
4700313001	37,77,85,93,199	4700377742	401	4700390546	59
4700313002	79,87	4700377743	401	4700390561	381
4700313003	37,85,87	4700377744	401	4700390605	167
4700313004	175,181,365	4700377913	325	4700390609	65
4700313008	181	4700378860	435	4700390613	89
4700313010	181	4700378861	435	4700390615	119
4700313033	185	4700379607	175,365	4700390616	119
4700313038	185	4700379630	149	4700390619	119
4700313041	267,277,365,385	4700379637	373	4700390717	253
	423	4700379715	389	4700390830	185
4700313068	415	4700379718	377	4700390860	251
4700313075	191	4700379728	377	4700390861	393
4700313094	189	4700379730	387	4700390865	333,335
4700313102	93,135,289,365	4700379862	29	4700390884	57
4700313105	37	4700379987	149	4700390897	167
4700335607	239	4700379992	57,367	4700390903	189
4700335914	29	4700380435	29	4700390919	105
4700340862	167	4700381027	167	4700390963	381
4700343744	159	4700381934	321	4700391017	211,213
4700343775	33	4700381935	317,321	4700391023	29,31
4700343872	29	4700381936	317,321	4700391025	217
4700344196	159	4700381938	367	4700391026	13,51
4700345666	173	4700381943	141,371	4700391029	161
4700347119	33	4700381944	141,371	4700391031	45
4700347512	333	4700382751	401	4700391115	273,275,285
4700349715	167	4700383626	39	4700391157	57
4700350009	377	4700383705	313	4700391192	231
4700355797	283	4700384584	313	4700391213	251
4700357459	57	4700384855	305,333	4700391240	395
4700357488	33	4700384911	135	4700391241	385
4700357587	401	4700385599	393	4700391269	243
4700358254	313	4700386272	167	4700391277	167

NUMERICAL INDEX

Part Number	Page	Part Number	Page	Part Number	Page
4700391280	161	4700392365	159	4700393360	149
4700391286	163	4700392371	159	4700393413	37
4700391292	253	4700392390	175	4700393418	419
4700391296	51	4700392391	175	4700393427	387
4700391299	51	4700392440	159	4700393464	45
4700391307	37,39	4700392450	277	4700393465	45
4700391353	37	4700392451	277	4700393468	51
4700391396	393	4700392453	163,165	4700393496	385
4700391420	393	4700392501	175	4700393497	385
4700391421	393	4700392504	175	4700393523	45
4700391432	57,217	4700392509	119	4700393525	305,309,333
4700391433	7,13,57,217	4700392521	227	4700393538	299
4700391443	29	4700392528	175	4700393542	37,77,79,85,87
4700391444	89	4700392531	149,207	4700393550	123
4700391478	389	4700392532	175	4700393582	333
4700391495	81	4700392534	227	4700393584	415,417
4700391566	45	4700392550	45	4700393590	291
4700391585	243	4700392624	33	4700393628	101,103
4700391624	37	4700392649	59	4700393629	101,103
4700391626	89	4700392652	61	4700393630	101,103
4700391674	323,329	4700392704	387	4700393634	353
4700391675	323	4700392705	387	4700393635	353
4700391676	323	4700392706	387	4700393636	353
4700391678	323	4700392717	395	4700393637	353
4700391770	377	4700392719	395	4700393639	331
4700391884	195	4700392748	167	4700393640	329
4700391886	63	4700392758	233	4700393641	329
4700391888	193	4700392799	57	4700393642	329
4700391889	151	4700392803	67	4700393645	329
4700391918	179	4700392839	377	4700393646	329
4700391940	65	4700392840	377	4700393697	119
4700391941	65	4700392843	149	4700393762	253
4700391957	289	4700392848	37	4700393776	265
4700391962	175	4700392877	99	4700393794	173
4700392011	119,135	4700392916	99,149	4700393862	435
4700392033	297	4700392917	99,149	4700393959	401
4700392048	215	4700392930	393	4700393977	387
4700392075	51	4700392965	385	4700393998	51
4700392078	51	4700393001	51	4700394023	41
4700392079	187	4700393029	197	4700394068	111
4700392087	183	4700393031	393	4700394070	111
4700392088	13,183	4700393046	189	4700394139	329
4700392089	13,183	4700393094	395	4700394140	329
4700392091	183	4700393100	99	4700394148	431
4700392103	149,207	4700393101	99	4700394207	45
4700392148	51	4700393115	45	4700394250	21,163
4700392149	51	4700393132	149	4700394251	21,167
4700392156	245	4700393141	149	4700394297	51
4700392158	291	4700393149	51	4700394318	233
4700392164	51	4700393193	103	4700394319	229
4700392222	37	4700393195	101	4700394340	95,121,143
4700392223	37	4700393218	45	4700394351	111
4700392224	37	4700393222	411	4700394395	433
4700392227	37,77,79,85,87	4700393223	411	4700394400	29
4700392230	37	4700393235	197	4700394513	51
4700392231	37	4700393252	353	4700394536	53
4700392232	37	4700393253	353	4700394545	47
4700392235	37	4700393254	353	4700394587	91
4700392291	155	4700393262	353	4700394590	91
4700392316	371	4700393308	51	4700394591	91
4700392321	291,295	4700393324	53	4700394593	401
4700392364	167	4700393347	389	4700394594	401

NUMERICAL INDEX

Part Number	Page	Part Number	Page	Part Number	Page
4700394595	401	4700395792	339	4700396661	393
4700394596	401	4700395793	345	4700396662	393
4700394654	369	4700395794	345	4700396670	397
4700394655	51	4700395795	345	4700396672	77,85,87
4700394707	423	4700395796	341	4700396673	85,87
4700394787	99	4700395798	347	4700396678	71
4700394806	121	4700395799	347	4700396679	71
4700394818	175	4700395800	347	4700396715	59
4700394820	51	4700395803	353	4700396716	61
4700394821	239	4700395804	353	4700396739	37
4700394859	325	4700395806	349,351	4700396750	71
4700394860	409	4700395810	341	4700396754	139
4700394861	409	4700395811	341	4700396768	257,261
4700394920	419	4700395813	343	4700396885	175
4700394931	267	4700395814	343	4700396893	139
4700395023	267	4700395815	345	4700396923	311
4700395093	421	4700395816	243,309,347	4700396936	137
4700395094	425	4700395817	349	4700396975	139
4700395095	421	4700395818	359	4700396976	139
4700395096	421	4700395819	359	4700397039	41
4700395097	425	4700395820	359	4700397134	179
4700395108	175	4700395828	359	4700397153	185
4700395111	115	4700395829	335,355	4700397207	253
4700395112	19,115	4700395830	335	4700397209	253
4700395126	179	4700395831	355	4700397210	253
4700395135	175	4700395832	355	4700397214	227
4700395156	419	4700395833	351	4700397253	29
4700395192	409	4700395834	351	4700397257	175
4700395226	263	4700395835	351	4700397318	41
4700395352	415	4700395836	351	4700397348	39
4700395383	377	4700395837	351	4700397516	295
4700395390	127	4700395838	351	4700397517	295
4700395391	227	4700395839	351	4700397539	173
4700395393	227	4700395840	309,335	4700397567	217
4700395412	129	4700395841	361	4700410012	409
4700395423	181	4700395842	361	4700450163	325
4700395428	107,109	4700395844	353	4700475064	111
4700395429	107	4700395853	361	4700476019	155
4700395430	109	4700395924	221,223	4700480852	37,79,87
4700395447	377	4700395944	175	4700483642	217
4700395505	199	4700395947	397	4700483726	217
4700395506	199	4700396003	431	4700483743	207
4700395653	149	4700396036	409	4700483957	207
4700395694	149	4700396154	125	4700484032	217
4700395696	153	4700396179	153	4700484036	217
4700395756	357	4700396183	139	4700484037	217
4700395757	357	4700396259	253	4700484038	203
4700395758	357	4700396260	253	4700484043	217
4700395759	357	4700396261	253	4700484045	215
4700395760	305	4700396268	135	4700484069	207
4700395761	359	4700396270	135	4700484140	215
4700395762	359	4700396304	253	4700484141	215
4700395770	305	4700396498	29	4700484142	215
4700395774	359	4700396542	57	4700484143	215
4700395775	359	4700396583	45	4700484144	215
4700395782	307,309	4700396584	45	4700484145	215
4700395783	307,309	4700396585	45	4700484146	215
4700395784	307	4700396588	45	4700484147	215
4700395785	307,309,393	4700396607	59,61	4700484148	215
4700395786	307,309	4700396634	57	4700484149	217
4700395787	339	4700396635	57	4700484150	215
4700395790	353	4700396638	49,69	4700484151	217

NUMERICAL INDEX

Part Number	Page	Part Number	Page	Part Number	Page
4700484152	217	4700500030	97,145,147,173	4700508048	141,175,253
4700484153	217		407	4700508090	163
4700484154	217	4700500031	115	4700508092	177,383
4700484155	229	4700500032	29,113,117	4700508096	175
4700484156	229	4700500033	129	4700513003	387
4700484157	229	4700500035	239	4700513011	111
4700484158	217	4700500037	227	4700513012	71
4700484159	217	4700500040	57,151,153,155	4700513017	57
4700484160	229		243,385	4700516051	377
4700484161	217	4700500042	257	4700526010	393
4700484162	217	4700500043	33,175,239	4700533050	153
4700484163	217	4700500046	167	4700535017	281
4700484165	215	4700500047	89,97,123,125	4700570004	139,243,247,393
4700484166	215		145,147,315,319	4700570005	29,37,57,183,239
4700484167	207		389		247,289,349,387
4700484168	207	4700500048	41,57,219,339		389,435
4700484169	207		419	4700570006	57,121,377,409
4700484170	207	4700500049	71,149,167	4700570103	409
4700484171	207	4700500051	29	4700573003	29
4700484172	207	4700500053	37,51,57,65,77	4700573008	377
4700484173	207		79,81,85,87,231	4700586001	243,393,397
4700484175	203		255,259,357,367	4700586002	37,57,59,61,155
4700484180	203		381,385,389,407		243,251,315,319
4700484181	203		411		377,385,393,395
4700484182	203	4700500059	51,59,61	4700586003	29,51,57,77,79
4700484183	203	4700500060	243,393		85,87,89,123,125
4700484196	203	4700500070	159		127,135,137,141
4700484197	203	4700500090	77,79,85,87		315,319,323,327
4700484211	207	4700500092	57		329,331,341,349
4700484212	207	4700500105	121		371,377,395
4700484213	207	4700500115	209,395	4700586018	113,115,117,297
4700484214	207	4700500134	131		299,383
4700484215	207	4700500143	329	4700586019	121
4700484230	235	4700500146	147	4700601003	327,329
4700484231	235	4700500153	325	4700603001	51,149,153,377
4700484246	205	4700500161	97,129,137,145	4700606009	215
4700484249	205		147,383	4700606021	215
4700484250	205	4700500175	149	4700615050	37,57
4700484252	205	4700500189	323	4700624005	401
4700484253	205	4700500190	323,327,329	4700624018	53
4700484255	205	4700500194	309	4700624020	59,61
4700484256	205	4700500195	71,305,333	4700624021	51,53
4700484259	205	4700500198	121	4700629008	91
4700499174	317,321	4700500199	173	4700630008	377,389
4700500012	45,261	4700500212	175	4700630012	111
4700500013	37,251,345	4700500225	99	4700635061	31,33,221
4700500015	247,251	4700500228	309	4700747282	175
4700500016	65	4700500239	331	4700791120	51,195
4700500018	265,317,321,333	4700500241	409	4700791172	97,145,147
	337,349	4700500265	99	4700791182	47,81,187
4700500019	51,75,83,133,139	4700500269	55,225	4700791185	251,347
	159,225,241,249	4700500287	43	4700791211	347
	311,325	4700500289	97,145,147	4700791231	57
4700500020	387,389	4700500505	175,391,407	4700791276	401
4700500021	37,51,57,63,193	4700502035	389	4700791277	401
	195,315,319,377	4700508019	371	4700791304	387
	409,431	4700508020	51	4700791321	63
4700500022	37,47,57,65,435	4700508021	341	4700791397	217
4700500023	47,89,183	4700508022	393	4700791398	149
4700500024	371	4700508025	315,319	4700791401	221
4700500028	161,227,291,293	4700508029	175,377	4700791405	51
NI 4 4700500029	99,135	4700508030	175	4700791409	151,221

NUMERICAL INDEX

Part Number	Page	Part Number	Page	Part Number	Page
4700791479	243	4700792331	215	4700792544	175
4700791524	377,385	4700792332	217	4700792546	97,145
4700791539	151	4700792333	227	4700792554	29,45
4700791551	251	4700792334	57,235	4700792571	401
4700791572	383	4700792336	227	4700792583	369
4700791582	393	4700792338	51	4700792589	313
4700791588	347,393	4700792339	63	4700792600	37,77,79,85,87
4700791597	251	4700792340	217	4700792601	111
4700791634	227	4700792342	231	4700792604	175
4700791635	227	4700792343	231	4700792605	29
4700791642	401	4700792344	215	4700792606	239
4700791698	227	4700792349	285	4700792607	51
4700791709	279,391	4700792350	273,275	4700792609	277
4700791711	57,175	4700792351	285	4700792610	239
4700791712	57,175	4700792352	297	4700792627	247
4700791723	393	4700792353	273,275	4700792632	215
4700791733	393	4700792354	283,287	4700792634	433
4700791739	393	4700792361	273,275,285	4700792649	227
4700791743	151,221	4700792392	367	4700792667	267
4700791744	215,221	4700792394	45	4700792670	163
4700791745	227,235	4700792397	289	4700792671	163
4700791754	285	4700792398	279	4700792672	163
4700791798	215,227	4700792410	291,295	4700792673	163
4700791799	57,151,167,221	4700792414	393	4700792678	377
		4700792417	291	4700792684	239
4700791805	175	4700792419	291	4700792686	419,423
4700791823	57,221	4700792421	51	4700792696	215
4700791824	227	4700792422	271	4700792697	229
4700791831	227	4700792433	135	4700792715	347
4700791840	57	4700792441	57,77,79,85,87	4700792720	215
4700791841	215		247,251,279,295	4700792726	51,107,109
4700791844	57		389	4700792772	401
4700791846	211	4700792442	215,247	4700792777	77,85
4700791849	51	4700792446	59,67	4700792778	85,87
4700791853	227	4700792447	317,321	4700792779	37,79,87
4700791914	151,207	4700792448	317,321	4700792780	37,87
4700791950	77,85	4700792449	309,323	4700792781	37
4700791951	273	4700792450	215	4700792782	37
4700791956	285	4700792451	215	4700792796	311
4700791968	369	4700792452	215	4700792797	409
4700791977	77,85,119,135	4700792453	215	4700792809	217
4700792035	283	4700792454	215	4700792812	393
4700792059	275	4700792465	227	4700792813	77,79,85,87
4700792065	365	4700792492	51	4700792825	57
4700792072	119,135	4700792500	51	4700813429	175
4700792073	37,85,87	4700792501	383	4700891374	207
4700792094	227	4700792502	175	4700900485	139
4700792151	29	4700792504	347	4700900672	37
4700792157	227	4700792505	347	4700900775	161,167
4700792187	427	4700792512	215	4700901145	305,309,333
4700792210	267,271	4700792515	45	4700901157	227
4700792276	51	4700792517	45	4700901225	251
4700792295	45,151	4700792518	45	4700901226	271
4700792309	243,251,347	4700792519	285	4700901227	251,269,271,347
4700792310	243	4700792520	285	4700901228	347
4700792311	57	4700792521	273,275	4700901431	79,87
4700792322	195	4700792526	191	4700901446	309
4700792325	45,57,59,61,367	4700792527	383	4700901767	251
		4700792536	313	4700902064	287
4700792326	57	4700792537	279	4700902166	53,59,61
4700792328	239	4700792539	377	4700902285	41,325
4700792330	167	4700792540	127	4700902286	51,177,291,295

NUMERICAL INDEX

Part Number	Page	Part Number	Page	Part Number	Page
4700902286	325,381	4700904229	435	4700908563	345
4700902295	217	4700904230	29,33,41,57,97	4700908564	345
4700902379	309		99,115,129,145	4700910162	221
4700902509	433		147,161,175,219	4700920819	89
4700902520	377		291,293,297,383	4700921031	247
4700902804	309,393		407,409	4700921050	217
4700902866	39,59,61,351	4700904231	29,45,55,99,101	4700921080	277
4700903082	205,207		111,121,149,159	4700923253	287
4700903190	175		163,167	4700923405	227
4700903422	401	4700904232	131,159	4700923735	79,87
4700903423	401,431	4700904233	43,99,305,309	4700924791	325
4700903424	401		333	4700924875	59,61
4700903425	401	4700904234	97,145,147	4700925208	43
4700903456	57	4700904241	329	4700925519	149
4700903459	401	4700904281	51,243,393,397	4700925599	51
4700903590	339	4700904292	229	4700925750	29
4700903633	305,333	4700904340	325	4700926214	149
4700903640	243	4700904352	175,407	4700926215	57
4700903641	243	4700904556	97,145,147,183	4700926216	323
4700903662	395		241,315,319,331	4700926736	167
4700903714	197		371,387,409,431	4700927233	111
4700903726	167		435	4700927637	137,337
4700903741	251	4700904557	97,113,117,129	4700927974	431
4700903768	57		135,137,145,147	4700928371	103
4700903773	235		173,175,227,299	4700928467	251
4700903831	149		377,389,419	4700928784	37
4700903917	377	4700904567	57	4700929447	167
4700903918	377	4700904584	175	4700929455	283
4700903953	59,61	4700904601	401	4700930046	153
4700904009	215	4700904619	397	4700936277	349
4700904010	215	4700904637	57,175,239	4700937165	369
4700904015	269	4700904638	239,383	4700937620	383
4700904024	269	4700904640	47,51,57,63,65	4700937621	383
4700904036	243		187,193,195,225	4700937892	383
4700904037	247		291,295,311,317	4700938256	343
4700904039	239,245		321,323,367,377	4700938605	413
4700904044	51,57		411	4700938606	413
4700904083	401	4700904653	59,67,397	4700938609	359,413
4700904092	401	4700904654	325	4700938622	361
4700904094	401	4700904697	153	4700938624	429
4700904131	305	4700904698	393	4700938789	413
4700904165	401	4700904703	29,51,71,225	4700938874	357
4700904206	29,37,149	4700904728	51,175	4700939068	7,9,11,13,175
4700904213	35,55,227	4700904734	37,89,123,125	4700939070	13,175
4700904214	103		183	4700939076	5,9
4700904228	45,59,61,151,155	4700904735	37,57,59,61,65	4700940451	393
	243,247,251,261		155,247,281	4700940572	213,223
	315,319,325,345	4700904835	401	4700945622	381
	385,393,395	4700904870	401	4700945632	379
4700904229	29,37,51,57,75	4700904895	401	4700945633	379
	77,79,81,83,85	4700904911	261	4700945634	379
	87,89,105,111	4700904951	151	4700945635	379
	123,125,127,133	4700904956	105,273,275,285	4700945636	379
	135,137,139,141	4700904984	191	4700945637	379
	159,175,209,231	4700905306	341	4700945661	381
	239,247,249,255	4700908229	401	4700945897	343
	257,259,265,273	4700908284	349	4700945908	15,19
	275,285,289,291	4700908500	347	4700945916	149,207
	295,315,319,325	4700908505	339	4700947679	375
	333,341,371,375	4700908506	339	4700947683	175
	377,381,385,387	4700908507	339	4700947688	55
	389,395,407,411	4700908561	341,343	4700947689	35

NUMERICAL INDEX

Part Number	Page	Part Number	Page	Part Number	Page
4700947690	29,51	4812110444	159		
4700947712	149	4812110489	51		
4700950174	5,7	4812110491	77,79,85,87		
4700950175	5,11	4812110499	181		
4700950176	5,13	4812110508	51		
4700950222	31	4812110510	51		
4700950301	7,11,13,175	4812110512	57		
4700950302	7,11,13,175	4812110515	185		
4700950310	417	4812110535	175		
4700950315	175	4812110586	309		
4700950342	417	4812110641	163		
4700950343	417	4812110643	167		
4700950344	417	4812110644	101		
4700950345	417	4812110653	247		
4700950346	417	4812110667	57		
4700950347	417	4812110671	123		
4700950348	417	4812110672	127		
4700950349	417	4812110827	309		
4700950350	417	4812110873	175		
4700950353	165	4812110896	389		
4700950369	429	4812110898	279		
4700950370	429	4812110899	271		
4700950371	429	4812110901	393		
4700950372	413	4812110902	271		
4700950373	413	4812110903	271		
4700950374	413	4812110904	271		
4700950375	413	4812110980	37		
4700950380	417	4812110989	393		
4700950417	31	4812110991	175		
4700950483	165	4812110992	175		
4700950498	165	4812111325	79,87		
4700950500	165	4812111326	291,295		
4700950501	165	4812111329	79		
4700950502	165	4812111332	79,87		
4700950503	165	4812111339	57		
4700950513	165	4812111340	57		
4700950570	223	4812112074	37,77,79,85,87		
4700950571	223		93		
4700950572	223	4812155158	15,21		
4700950636	175	4812155658	413		
4700950637	175	4812155790	213		
4700950638	175	4812155792	15,17		
4700950640	175	4812155851	175		
4700960067	269	4812156056	291,295		
4700991657	401	4812156057	291,295		
4700991658	401	4812156059	165		
4700999014	257	4812156095	23		
4811000085	77,79,85,87	4812156096	23		
4811000096	141	4812156097	23		
4811000107	77,79,85,87	4812156151	227		
4811000117	217	4812156152	227		
4811000118	217	4812156159	213		
4811000163	271				
4812110212	51				
4812110223	207				
4812110232	175				
4812110277	41				
4812110334	141				
4812110346	159				
4812110347	51				
4812110358	81				
4812110394	77,79,81,85,87				