

Spare Parts Catalogue

4812158458.pdf

Valid from roller serial number:

10000138x0A010190 -



Diesel engines:

Cummins QSB 4.5 (IIB/4i)

Published catalogue issues valid for these rollers:

<i>Catalogue</i>	<i>Issue date</i>	<i>Valid for serial numbers</i>
4812158458.pdf	2012-06	10000138x0A010190 -



RESERVDLSBESTÄLLNING

Följande uppgifter ska lämnas vid beställning av reservdelar för att undvika leveransfel:

1. Maskintyp.
2. Vältens serienummer.
3. Antal av önskad reservdel.
4. Reserdelens artikelnummer.
5. Reservdelens benämning.
6. Måttuppgifter vid beställning av metervara.

ORDERING SPARE PARTS

To avoid errors in delivery, please give the following information when ordering spare parts:

1. Type of machine.
2. Roller serial number.
3. Quantity required.
4. Part number.
5. Parts denomination.
6. Dimensions when ordering per length.

ERSATZTEILBESTELLUNG

Zur Vermeidung von Fehllieferungen sind bei der Bestellung von Ersatzteilen folgende Angaben zu machen:

1. Maschinentyp.
2. Herstellungsnummer.
3. Bestellmenge. (Quantity)
4. Ersatzteilnummer. (Part N°)
5. Ersatzteilbenennung. (Denomination)
6. Massangaben bei Bestellung von Meterware.

ORDINI DI RICAMBI

Per evitare errori nelle consegne di ricambi, Vi preghiamo di comunicarci le seguenti informazioni al momento dell'ordinazione:

1. Tipo di macchina.
2. Numero di serie della macchina.
3. Quantità dei pezzi desiderati. (Quantity)
4. Numero di codice del pezzo. (Part N°)
5. Descrizione del pezzo di ricambio. (Denomination)
6. Misura, in caso di ordine per metro.

PEDIDO DE RECAMBIOS

Para evitar errores en las entregas, deberán indicarse los siguientes datos al hacer un pedido de recambios:

1. Tipo de máquina.
2. Número de serie.
3. Cantidad de piezas deseadas. (Quantity)
4. Número de artículo de la pieza de recambio. (Part N°)
5. Denominación de la pieza. (Denomination)
6. Indíquese la medida al solicitar un artículo que se expide por metros.

COMMANDE DE PIECES DE RECHANGE

Les indications suivantes doivent être fournies lors de la commande de pièces de rechange, afin d'éviter toute erreur de livraison:

1. Type de machine.
2. Numéro de série.
3. Quantité désirée de pièce de rechange. (Quantity)
4. Numéro de la pièce de rechange. (Part N°)
5. Dénomination de la pièce de rechange. (Denomination)
6. Longueur en cas de commande au mètre.

YOUR AGENT/DEALER:

PÄRMETIKETT

För att undvika fel vid reservdelsbeställning finns här nedan två etiketter som passar i fickorna på pärmarnas ryggar. På dessa kan man se från vilket vältnummer av aktuell maskin reservdelskatalogen gäller. Gör så här:

1. Tag denna sida ur pärmen.
2. Klipp ut etiketten till **VÄNSTER** (1) och sätt in den i fickan på **DENNA** pärmens rygg.
3. Finns det en etikett till **HÖGER** (2), kan denna användas på pärmen för **FÖREGÅENDE** utgåva av denna katalog.
4. Kasta detta papper.

KATALOG-BESCHRIFTUNG

Zur Vermeidung von Fehlern bei der Ersatzteilbestellung benutzen Sie bitte die unteren Beschriftungen, um die Kataloge auf der Rückseite zu kennzeichnen. Auf der Beschriftung ist angegeben, für welche Maschinennummern der jeweilige Katalog gültig ist. Ablauf:

1. Nehmen Sie dieses Blatt aus dem Katalog.
2. Schneiden Sie die **LINKE** Beschriftung (1) aus. Schieben Sie die Beschriftung in die tasche auf **DEM** Katalogrücke.
3. Sollte die Beschriftung unten **RECHTS** (2) mitgeliefert werden, kennzeichnen Sie damit bitte die **ÄLTERE** Ausführung dieses Kataloges.
4. Den Rest dieses Blattes bitte vernichten.

ETIQUETA PARA LA CARPETA

Para evitar errores al pedir repuestos utilicen las etiquetas abajo descritas para identificar los catálogos en la parte trasera de la carpeta. En la etiqueta se ven los números de referencia de la serie para la cual es válido el catálogo. Instrucciones:

1. Quitar esta página de la carpeta.
2. Corta la etiqueta **IZQUIERDA** (1) y ponerla en **ESTA** carpeta en la parte trasera.
3. Si hay una etiqueta en la parte **DERECHA** (2) se puede utilizar en la carpeta para el catálogo que **PRECEDE** a esta.
4. Tirar esta hoja.

BINDER LABEL

To avoid errors when ordering spare parts use the labels below to identify the catalogues on the back of the binder. The label contain the serial number range for which the catalogue is valid. Do like this:

1. Remove this page from the binder.
2. Cut out the **LEFT** label (1) and put it on **THIS** binders back.
3. If there is a label to the **RIGHT** (2), it can be used on the binder for **PRECEDING** issue of this catalogue.
4. Throw away this paper.

ETICHETTAPOSTASULRACCOGLITORE

Per evitare errori quando ordinate pezzi di ricambio, usate le etichette in calce che servono ad identificare i cataloghi sul retro del raccoglitore. L'etichetta indica il numero di matricola delle macchine prese in considerazione nel catalogo.

1. Rimuovete questa pagina dal raccoglitore.
2. Ritagliate l'etichetta posta a **SINISTRA** (1) e ponetela sul retro **DEL** raccoglitore.
3. Se trovate anche un'etichetta sulla **DESTRA** (2), ritagliatela e ponetela sul raccoglitore relativo alla **PRECEDENTE** edizione del catalogo.
4. Distruggete questo foglio.

ETIQUETAGE DU CATALOGUE

Afin d'éviter des erreurs lors de commandes de pièces de rechange, nous vous conseillons d'apposer les marquages ci-dessous à l'arrière du classeur, pour identifier les catalogues. Ce marquage indique les numéros de série pour lesquels le catalogue est adapté. Il convient de procéder de la façon suivante:

1. Retirez cette page du classeur.
2. Découpez l'étiquette de **GAUCHE** (1), et apposez-la à l'arrière de **CE** catalogue.
3. Si il y a une étiquette à **DROITE** (2), vous pourrez l'apposer sur le classeur de l'édition **PRECEDENTE** du catalogue.
4. Détruire cette feuille.

1.



TABLE OF CONTENTS

Page

CA2500D/PD (IIIB/T4i) SN 10000138x 0A010190	2
Service kits	4
4812156993 Service kit, 50h incl. oil	6
4812158687 Service kit, 500h incl. oil Cummins QSB 4.5	8
4812158688 Service kit, 500h Cummins QSB 4.5	10
4812158689 Service kit, 1000h incl. oil Cummins QSB 4.5	12
4812158690 Service kit, 1000h Cummins QSB 4.5	14
4812158691 Service kit, up to 1000h Cummins QSB 4.5	16
4812156993 Service kit, 50h incl. oil	6
4812158687 Service kit, 500h incl. oil Cummins QSB 4.5	8
4812158689 Service kit, 1000h incl. oil Cummins QSB 4.5	12
4812158692 Service kit, 2000h incl. oil Cummins QSB 4.5	18
4812158693 Service kit, 2000h Cummins QSB 4.5	20
Repair kits	22
Eccentric shaft kit	24
4812157275 Drum rotation kit	26
4812158580 Shock absorber kit, drum	28
4812158581 Shock absorber kit, drum	30
Steering hitch kits	32
Frame	34
Frame, front	36
4812113132 Steering hitch, cpl	38
Scrapers, option	40
Scraper module	42
Scraper module Rubber	44
Scraper assy	46
Scraper module PD Hardox	48
Scraper module PD Heavy duty	50
Scraper mount	52
Frame, rear	54
Frame, rear	56
Cover assembly	58
Articulated Joint Module	60
Bumper	62
Bumper, rear lights, option	64
Tool box module, Option	66
Step module	68
Step assy	70
Engine structure	72
Engine hood module	74

TABLE OF CONTENTS

Page

Fender module	76
Hinge module	78
Lock handle module	80
4812114363 Lock handle, cpl	82
Gas spring module	84
Safety link module	86
Drum	88
Drum, cpl	90
4812113266 Drum gear	94
4812112198 Hydraulic motor	96
Vibration motor adapter	100
Tooth wheel module	102
4812158090 Drum cartridge, vibration side (PD version)	104
4812158091 Drum cartridge, vibration side (D version)	106
4812158093 Drum cartridge, vibration side (PD, comp. data high)	108
4812158095 Drum cartridge with shaft nut, vibration side (PD version)	110
4812158096 Drum cartridge with shaft nut, vibration side (D version)	112
4812158098 Drum cartridge with shaft nut, vibration side (PD, comp. data high)	114
4812158085 Drum cartridge, drive side (PD version)	116
4812158086 Drum cartridge, drive side (D version)	118
4812158088 Drum cartridge, drive side (PD, comp. data high)	120
Pad shell, option	122
Engine	124
Engine	126
Diesel engine	128
Belt guard module	130
Bracket module	132
Cooling system	134
Cooler stand module	136
Hose assy kit	138
Air cleaner	140
Air cleaner module	142
Fuel system	144
Fuel tank module	146
Fuel tank	148
Brackets assy	150
Fuel hoses	152
Draining module, option	154
Exhaust system	156
Expansion tank assembly	158
Transmission	160
Rear axle and wheels	162
4812113344 Rear axle, limited slip	164

TABLE OF CONTENTS

Page

	Differential & Bevel gear	166
	Brakes	168
	Hub reduction	170
4812113341	Rear axle No spin	172
	Differential	174
	Central housing and brakes	176
	Hub reduction	178
	Hydraulic system	180
	Hydraulic system, drum (D) Traction control, dual speed	182
	Hydraulic motor	184
4812112216	Hydraulic motor, vibration	186
	Rotary group	188
	Flush & boost pressure valve with orifice	190
	Cover	192
	Hydraulic motor	194
4812112215	Hydraulic motor	196
	Rotary group	198
	Flush and boost pressure valve	200
	Cover with shaft seal ring	202
	Hydraulic valve module	204
4812113687	Hydraulic valve	206
	Hydraulic system, drum (PD) Traction control, dual speed	208
	Hydraulic motor	184
4812112216	Hydraulic motor, vibration	186
	Rotary group	188
	Flush & boost pressure valve with orifice	190
	Cover	192
	Hydraulic motor	194
4812112215	Hydraulic motor	196
	Rotary group	198
	Flush and boost pressure valve	200
	Cover with shaft seal ring	202
	Hydraulic motor	210
4812112200	Drum motor	212
	Loop flushing	214
	Hydraulic system, drum Anti-spin system	216
	Hydraulic motor	184
4812112216	Hydraulic motor, vibration	186
	Rotary group	188
	Flush & boost pressure valve with orifice	190
	Cover	192
	Hydraulic motor	194
4812112215	Hydraulic motor	196
	Rotary group	198
	Flush and boost pressure valve	200
	Cover with shaft seal ring	202
	Hydraulic motor	218

TABLE OF CONTENTS

Page

4812112202	Drum motor	220
	Drum motor. Front section	222
	Loop flushing	224
	Drum motor. Rear section	226
	Hydraulic system, rear axle Traction control, limited slip	228
	Hydraulic motor	230
4812112208	Rear axle motor	232
	Front section	234
	Rear section	236
	Hose holder	238
	Hydraulic system, rear axle Traction control, no slip	240
	Hydraulic motor	242
4812112211	Rear axle motor	244
	Loop flusing	246
	Hose holder	238
	Hydraulic system, rear axle Anti-spin system	248
	Hydraulic motor	250
4812112210	Rear axle motor	252
	Front section	254
	Rear section	256
	Hose holder	238
	Hydraulic system, rear axle Dual speed	258
	Hydraulic motor	260
4812112207	Axle motor	262
	Hose holder	238
	Hydraulic system, oil tank	264
	Hydraulic oil tank assembly	266
	Hydraulic valve module	268
4812112238	Hydraulic valve	270
	Connector assy	272
	Fan module	274
4812112107	Hydraulic motor	276
	Fan module	278
4812112106	Hydraulic motor	280
	Hydraulic system, frame rear	282
	Connector kit	284
	Connector kit	286
	Hydraulic system, steering	288
	Hydraulic cylinder	290
4812113826	Hydraulic cylinder	292
	Steering valve module	294
	Hydraulic hoses, steering	296
	Emergency steering valve module	298
4812110361	Steering valve	300
	Hydraulic system, engine room	302

TABLE OF CONTENTS

Page

Hydraulic pump module	304
4812112170 Hydraulic pump, propel pump	306
Front section	308
Rear section	310
Hydraulic pump module	312
Hydraulic oil filter assy	314
Hydraulic pump module	316
4812110927 Hydraulic pump	318
Hydraulic system, engine room Adjustable frequency, eco opti	320
Hydraulic pump module	304
4812112170 Hydraulic pump, propel pump	306
Front section	308
Rear section	310
Hydraulic pump	322
Hydraulic oil filter assy	314
Hydraulic pump module	316
4812110927 Hydraulic pump	318
Hydraulic pump module	324
4812112192 Hydraulic pump	326
Electric equipment	328
Electric cables, power supply, 1-pole	330
Battery module	332
Battery disconnecter module	334
Electric cables, power supply, 2-pole, option	336
Battery module	332
Battery disconnecter, 2-pole	338
Electrical cables, engine - ECU Horn, back-up alarm	340
Standard ECU assembly	342
Power converter module	344
Inclination sensor module	346
Back-up alarm module	348
Back-up alarm module	350
Bracket module	352
Driving & side direction lights, number plate light, option	354
Steering column switch module	356
Cable harness kit	358
Registration plate light module	360
Registration plate light	362
Holder module Registration plate light	364
Reversing light, option	366
Reversing light	368
GPS equipment module, option	370
Holder	372
GPS equipment module	374
GPS equipment assy	376

TABLE OF CONTENTS

Page

Rotating beacon, working light, option	378
Rotating beacon module	380
Rotating beacon	382
Rotating beacon module	380
Rotating beacon	382
Working light module H3	384
Speed sensor, frequency sensor, option	386
Pulse sensor module	388
Pre-heater installation, option	390
Heater	392
Cable harness kit Power supply cab	394
Compaction meter, option	396
Power supply	398
Tachograph, option	400
Holder assy	402
Power supply module	404
Displacement shift	406
External emergency stop, option	408
Drivers platform	410
Platform, rops	412
4812112278 Platform with 4-post ROPS	414
Basic kit Rops, roof, front handrail	416
Rear cover	418
Handrail	420
Cab, basic kit	422
Manual box	424
Cab symmetric module	426
4812112301 Cab, cpl Comfort	428
Screens	430
4812115202 Cab door, cpl	432
4812115200 Sliding screen, left hand	434
Windshield wiper	436
Roof	438
Heater assy	440
Hose kit heater	442
Cab Interior	444
Heater controls	446
Cab cabel harness	448
Cab, electrical equipment	450
Emergency hammer, hook	452
Cab, rear cover	454
Cab, front cover	456
Floor mat	458
Step light, wiper switch	460
Cab, basic kit	422

TABLE OF CONTENTS

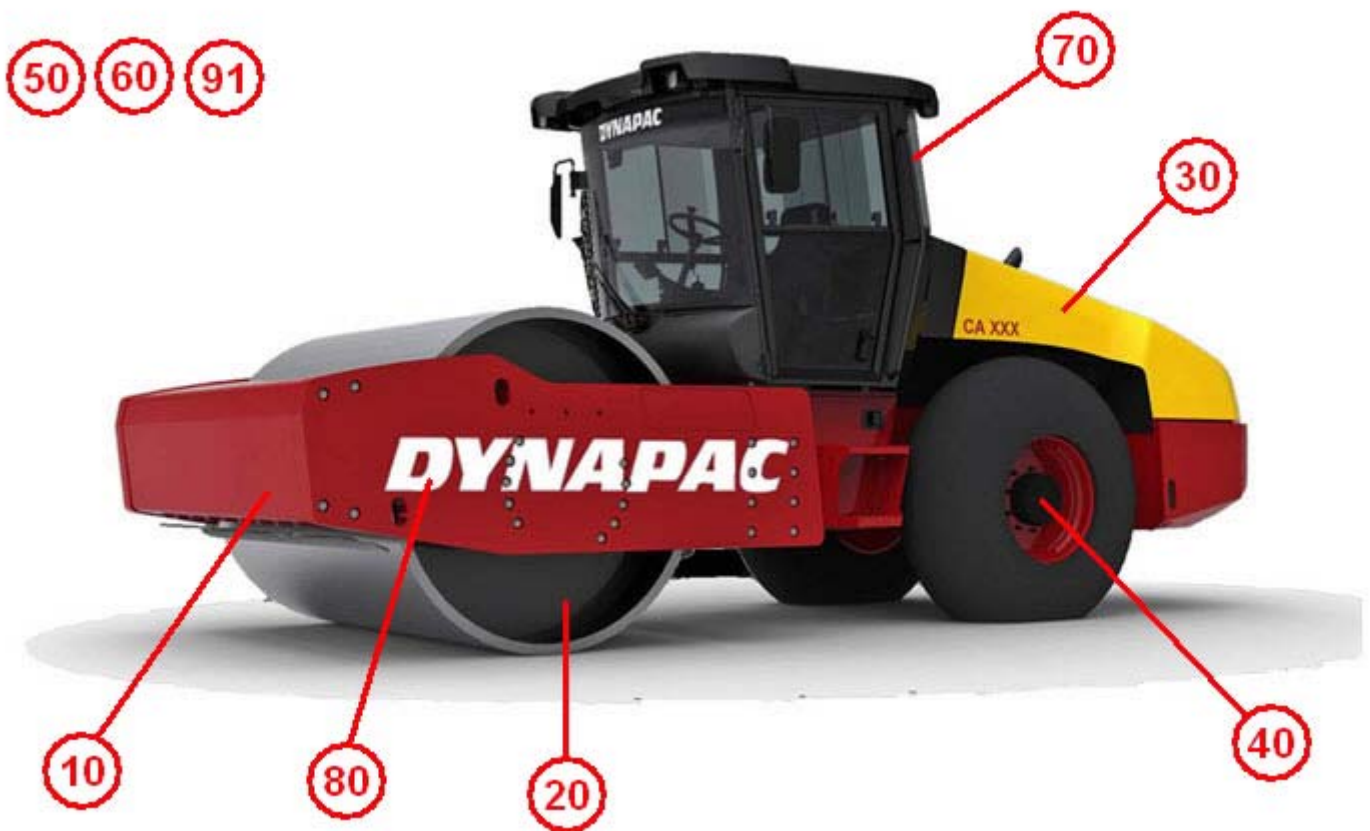
Page

	Air channel	462
	Sun-blind, inner light	464
4812112302	Cab, cpl Basic	466
	Screens	430
4812115202	Cab door, cpl	432
4812115200	Sliding screen, left hand	434
	Windshield wiper	436
	Roof	438
	Heater assy	440
	Hose kit heater	442
	Cab Interior	444
	Heater controls	446
	Cab cabel harness	448
	Cab, electrical equipment	450
	Emergency hammer, hook	452
	Cab, rear cover	468
	Cab, front cover	470
	Wiper switch, front	472
	Cab, basic kit	422
	Manual box	424
	Drivers seat	474
	Seat frame structure	476
4700391163	Steering column	478
	Seat frame adapter module, rotating	480
	Seat frame adapter module, fixed	482
	Floor cassette module	484
	Seat, fabric suspensioned (option)	486
	Seat, galon suspensioned	488
	Control module	490
	Forward reverse control module	492
	Display unit	494
	Seat belt 2" with reminder	496
	Seat belt 3" with reminder	498
	Reading light	500
	Control panel cover	502
	Car stereo module, option	504
	Rear view mirror	506
	Rear view mirror module	508
	Heater hoses	510
	Decals	512
	Decals	514
	Decals	516
	Optional equipment	518
	Fire extinguisher/First Aid Cushion	520

TABLE OF CONTENTS

Page

Fire extinguisher	522
Level sensor module, option	524
SMV-sign	526
Air conditioning	528
Drying filter module	530
Condensor assembly	532
ACC module	534
ACC kit	536
AC module	538
Hose kit AC	540
Compressor module	542
Hose assy kit for AC	544

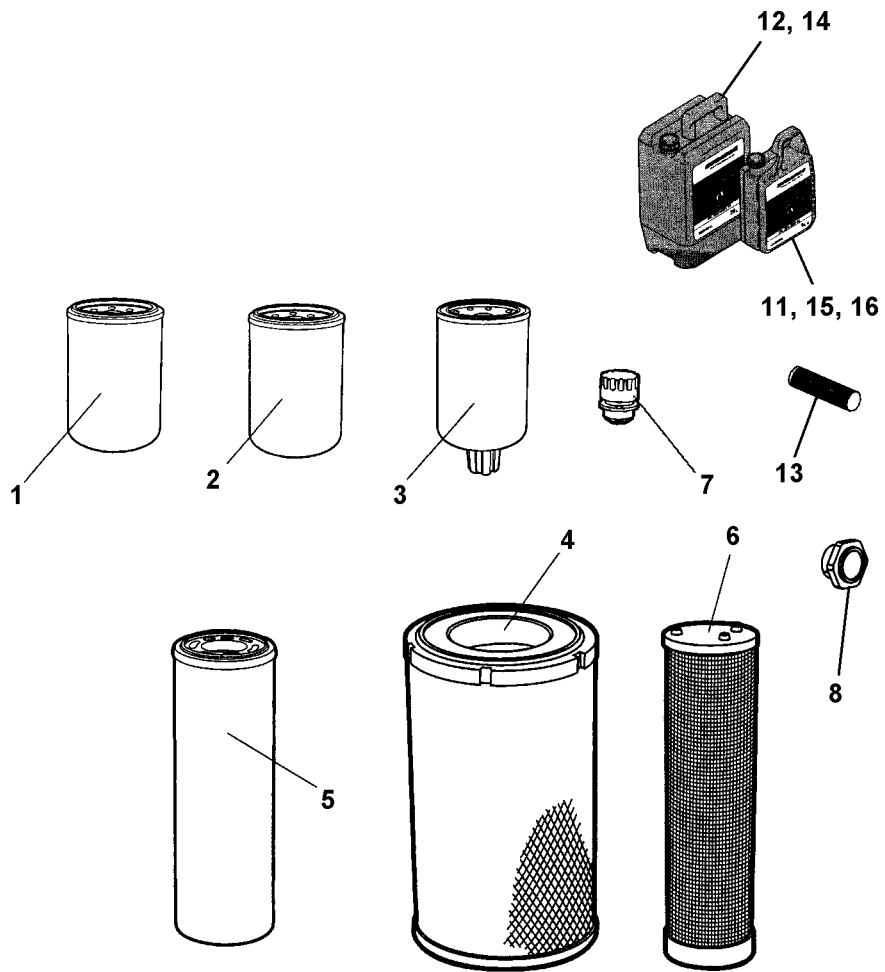


CA2500D/PD (IIIB/T4i) SN 10000138x 0A010190

Item	Part No	Rem Qty	Description	Code
1		1	Service kits (Page 4)	
2		1	Repair kits (Page 22)	
10		1	Frame (Page 34)	
20		1	Drum (Page 88)	
30		1	Engine (Page 124)	
40		1	Transmission (Page 160)	
50		1	Hydraulic system (Page 180)	
60		1	Electric equipment (Page 328)	
70		1	Drivers platform (Page 410)	
80		1	Decals (Page 512)	
91		1	Optional equipment (Page 518)	

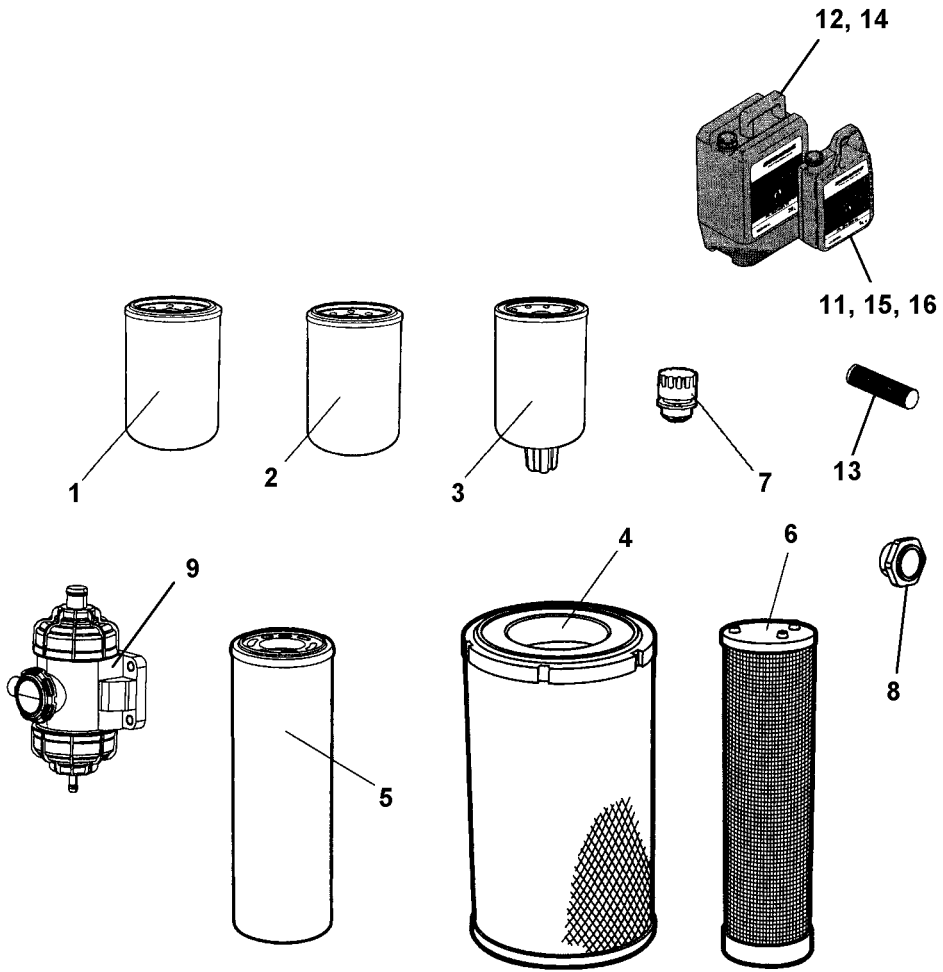
Service kits

Item	Part No	Rem Qty	Description	Code
1	4812156993	1	Service kit, 50h incl. oil (Page 6)	A
2	4812158687	1	Service kit, 500h incl. oil Cummins QSB 4.5 (Page 8)	
3	4812158688	1	Service kit, 500h Cummins QSB 4.5 (Page 10)	
4	4812158689	1	Service kit, 1000h incl. oil Cummins QSB 4.5 (Page 12)	
5	4812158690	1	Service kit, 1000h Cummins QSB 4.5 (Page 14)	
6	4812158691	1	Service kit, up to 1000h Cummins QSB 4.5 (Page 16)	
7	4812158692	1	Service kit, 2000h incl. oil Cummins QSB 4.5 (Page 18)	
8	4812158693	1	Service kit, 2000h Cummins QSB 4.5 (Page 20)	



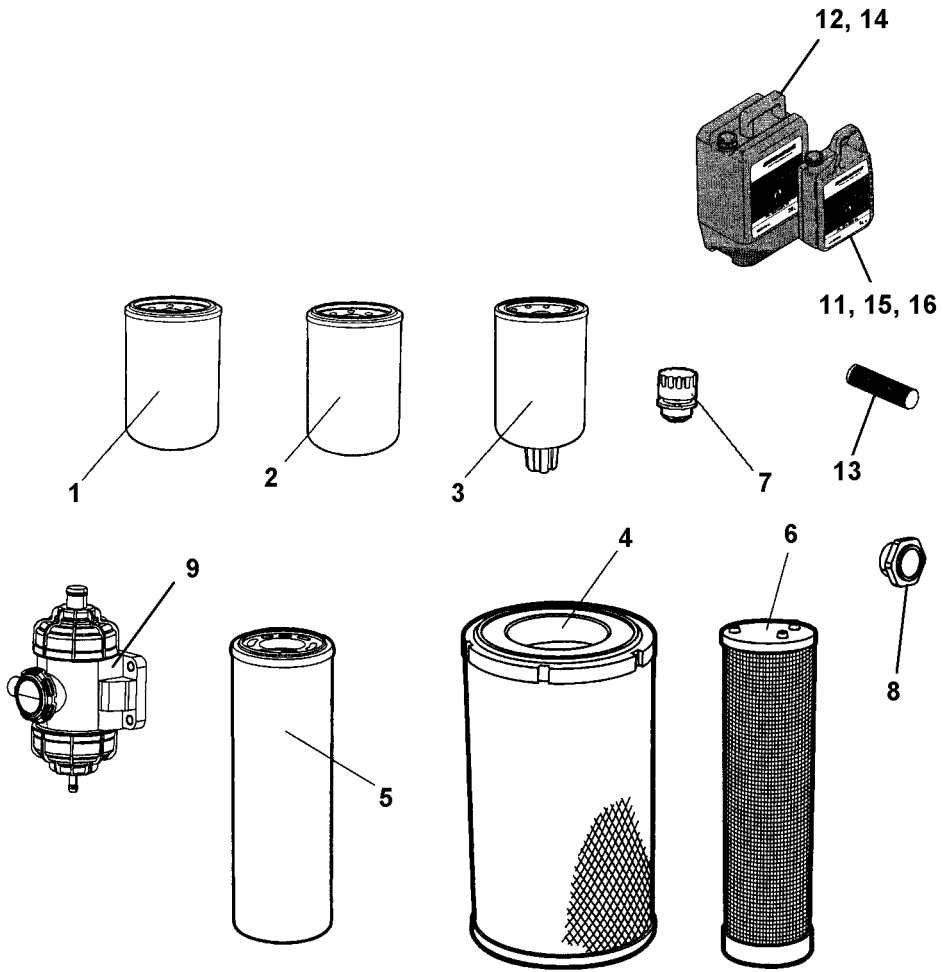
4812156993 Service kit, 50h incl. oil

Item	Part No	Rem Qty	Description	Code
	4812156993		Service kit, 50h incl. oil (Page 6)	A
5	4812112262	1	Hydraulic oil filter element	A
15	4812156456	1	Dynapac drum oil 1000 5l	A
16	4812030756	1	Gear Oil 300 / 5 ltr.	



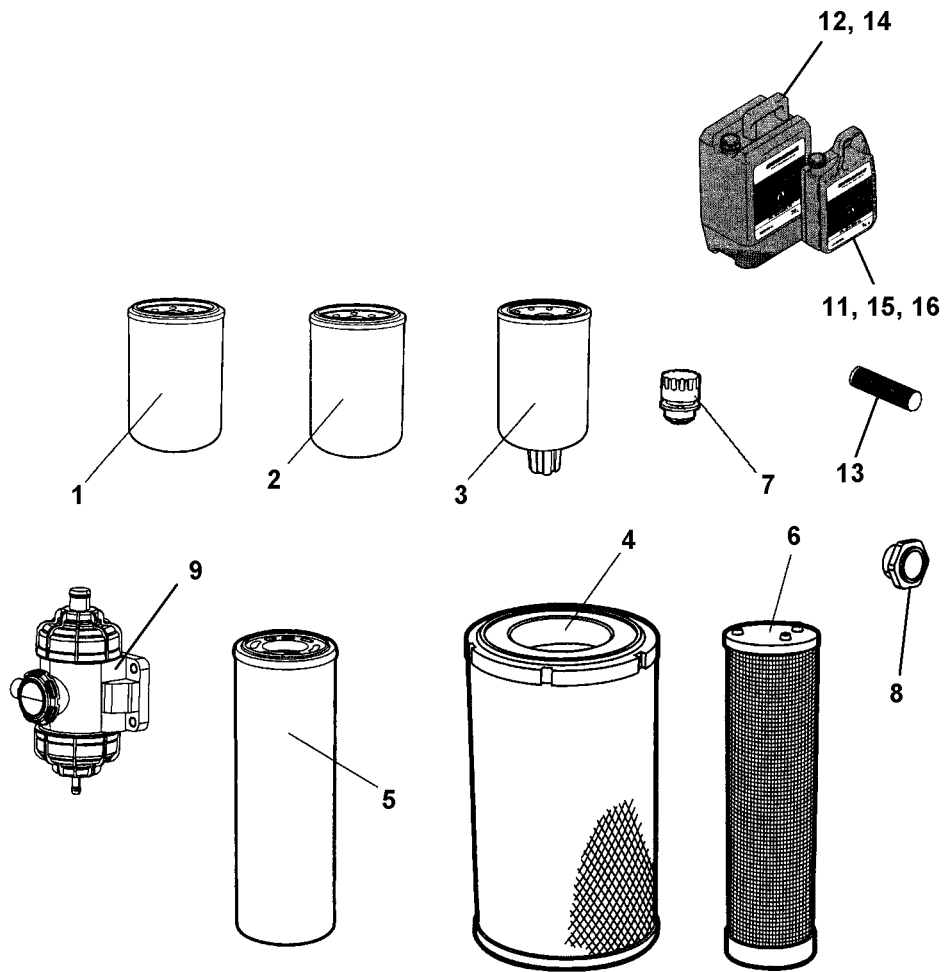
4812158687 Service kit, 500h incl. oil Cummins QSB 4.5

Item	Part No	Rem Qty	Description	Code
	4812158687		Service kit, 500h incl. oil Cummins QSB 4.5 (Page 8)	
1	4700939082	1	Oil filter element	
2	4812158187	1	Fuel filter	
3	4812041531	1	Pre-fuel filter element	
4	4812158190	1	Air filter element, main	
11	5580020624	3	Atlas Copco fluid engine 100 5l	A



4812158688 Service kit, 500h Cummins QSB 4.5

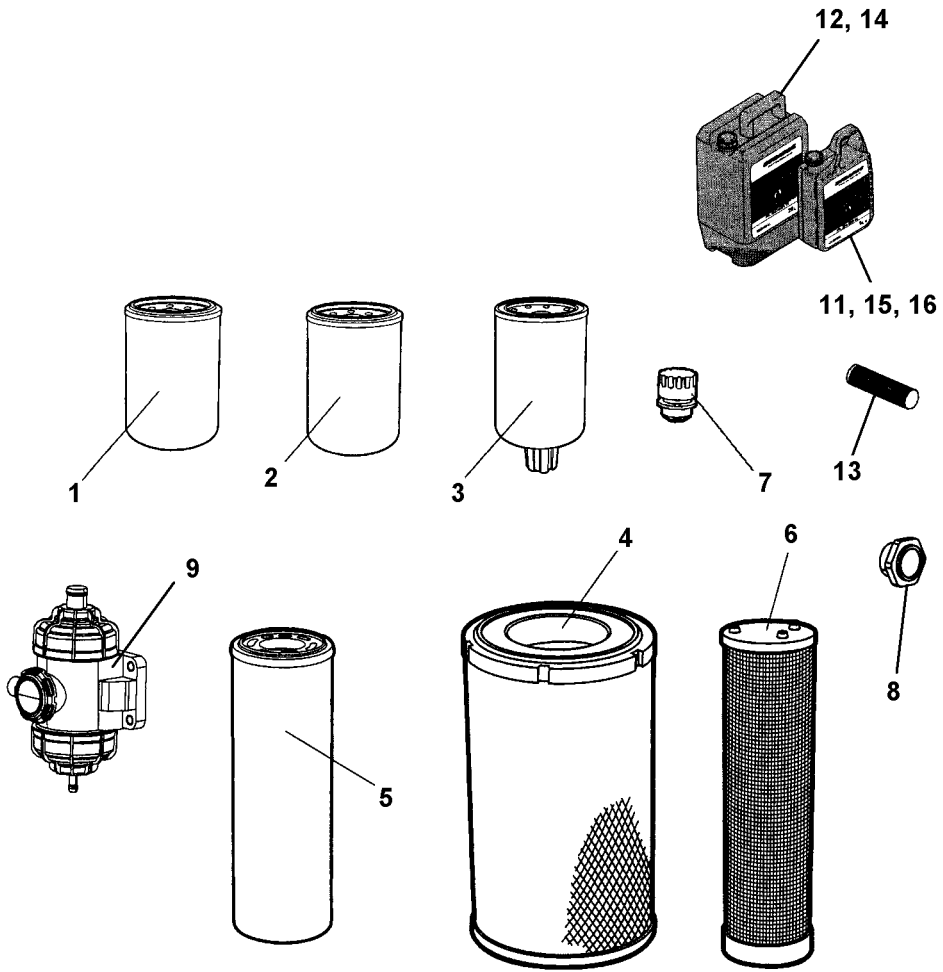
Item	Part No	Rem Qty	Description	Code
	4812158688		Service kit, 500h Cummins QSB 4.5 (Page 10)	
1	4700939082	1	Oil filter element	
2	4812158187	1	Fuel filter	
3	4812041531	1	Pre-fuel filter element	
4	4812158190	1	Air filter element, main	



4812158689 Service kit, 1000h incl. oil Cummins QSB 4.5

Item	Part No	Rem Qty	Description	Code
	4812158689		Service kit, 1000h incl. oil Cummins QSB 4.5 (Page 12)	
1	4700939082	1	Oil filter element	
2	4812158187	1	Fuel filter	
3	4812041531	1	Pre-fuel filter element	
4	4812158190	1	Air filter element, main	
5	4812112262	1	Hydraulic oil filter element	A
6	4812158191	1	Air filter element, safety	
7	4700357138	1	Ventilating filter	A
11	5580020624	3	Atlas Copco fluid engine 100 5l	A
12	4812030117	1	Gear Oil 300 / 20 ltr.	
13	4812030096	1	Dynapac Roller Grease	A

4812158690 Service kit, 1000h Cummins QSB 4.5

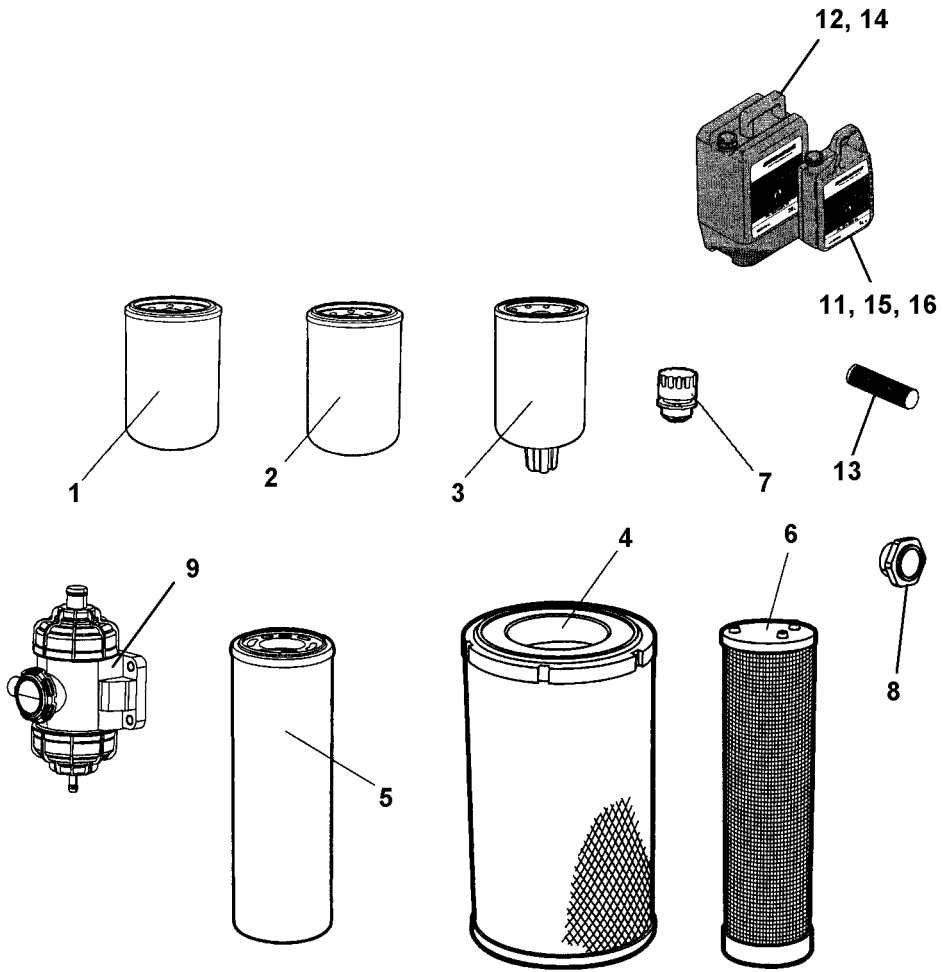


4812158690 Service kit, 1000h Cummins QSB 4.5

Item	Part No	Rem Qty	Description	Code
	4812158690		Service kit, 1000h Cummins QSB 4.5 (Page 14)	
1	4700939082	1	Oil filter element	
2	4812158187	1	Fuel filter	
3	4812041531	1	Pre-fuel filter element	
4	4812158190	1	Air filter element, main	
5	4812112262	1	Hydraulic oil filter element	A
6	4812158191	1	Air filter element, safety	
7	4700357138	1	Ventilating filter	A

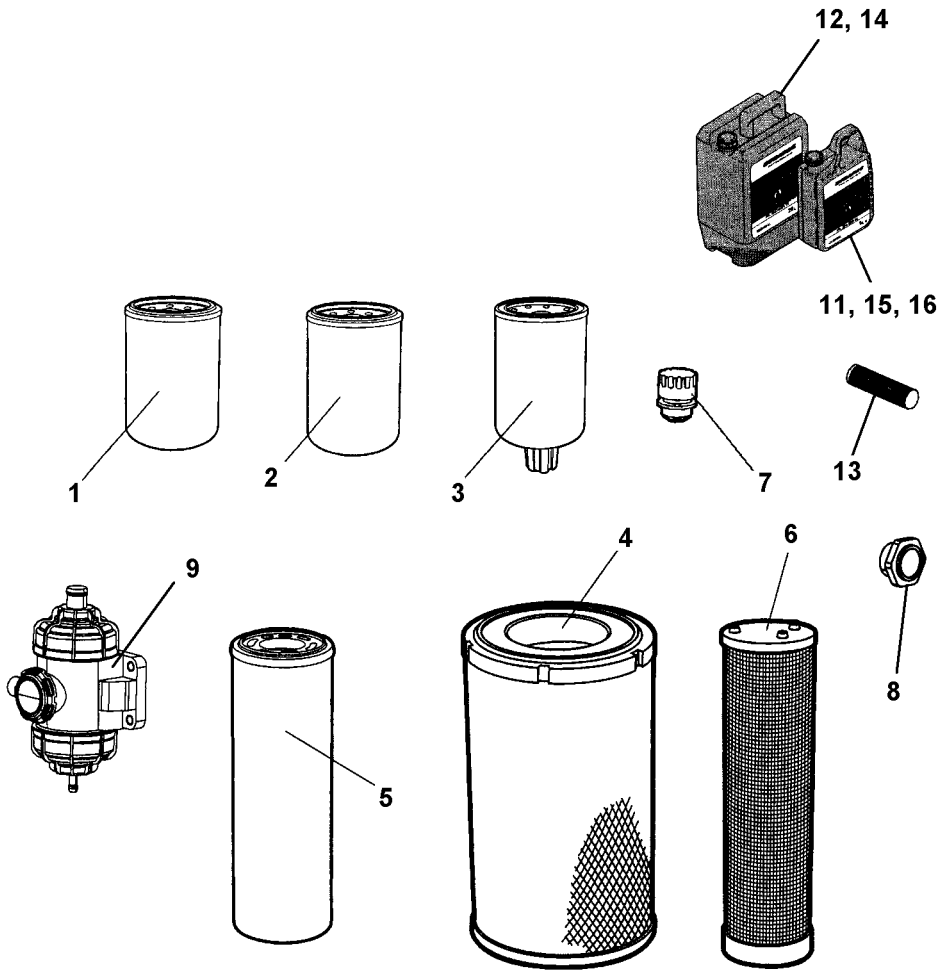
4812158691 Service kit, up to 1000h Cummins QSB 4.5

Item	Part No	Rem Qty	Description	Code
	4812158691		Service kit, up to 1000h Cummins QSB 4.5 (Page 16)	
1	4812156993	1	Service kit, 50h incl. oil (Page 6)	A
2	4812158687	1	Service kit, 500h incl. oil Cummins QSB 4.5	
3	4812158689	1	Service kit, 1000h incl. oil Cummins QSB 4.5	



4812158692 Service kit, 2000h incl. oil Cummins QSB 4.5

Item	Part No	Rem Qty	Description	Code
	4812158692		Service kit, 2000h incl. oil Cummins QSB 4.5 (Page 18)	
1	4700939082	1	Oil filter element	
2	4812158187	1	Fuel filter	
3	4812041531	1	Pre-fuel filter element	
4	4812158190	1	Air filter element, main	
5	4812112262	1	Hydraulic oil filter element	A
6	4812158191	1	Air filter element, safety	
7	4700357138	1	Ventilating filter	A
8	4700922552	2	Oil level glass	B
9	4812158465	1	Crankcase ventilation filter	
11	5580020624	3	Atlas Copco fluid engine 100 5l	A
12	4812030117	1	Gear Oil 300 / 20 ltr.	
13	4812030096	1	Dynapac Roller Grease	A
14	9106230330	3	Atlas Copco fluid hydraulic oil 300 20l	A
15	4812156456	1	Dynapac drum oil 1000 5l	A
16	4812030756	1	Gear Oil 300 / 5 ltr.	



4812158693 Service kit, 2000h Cummins QSB 4.5

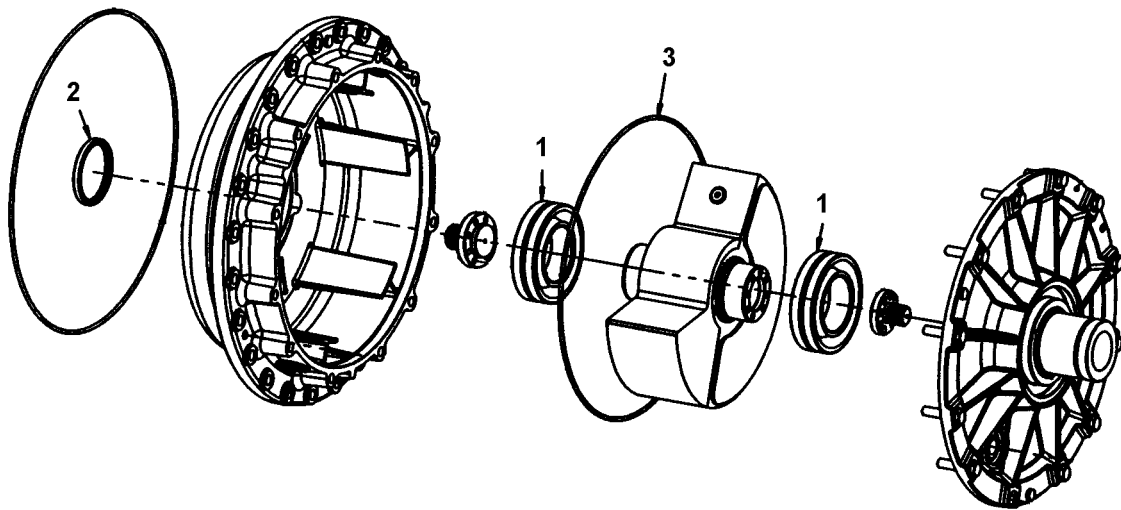
Item	Part No	Rem Qty	Description	Code
	4812158693		Service kit, 2000h Cummins QSB 4.5 (Page 20)	
1	4700939082	1	Oil filter element	
2	4812158187	1	Fuel filter	
3	4812041531	1	Pre-fuel filter element	
4	4812158190	1	Air filter element, main	
5	4812112262	1	Hydraulic oil filter element	A
6	4812158191	1	Air filter element, safety	
7	4700357138	1	Ventilating filter	A
8	4700922552	2	Oil level glass	B
9	4812158465	1	Crankcase ventilation filter	

Repair kits

Item	Part No	Rem	Qty	Description	Code
2			1	Eccentric shaft kit (Page 24)	C
3	4812157275		1	Drum rotation kit (Page 26)	C
4	4812158580	A	1	Shock absorber kit, drum (Page 28)	A
5	4812158581	B	1	Shock absorber kit, drum (Page 30)	A
6			1	Steering hitch kits (Page 32)	C

A) For static linear load medium.

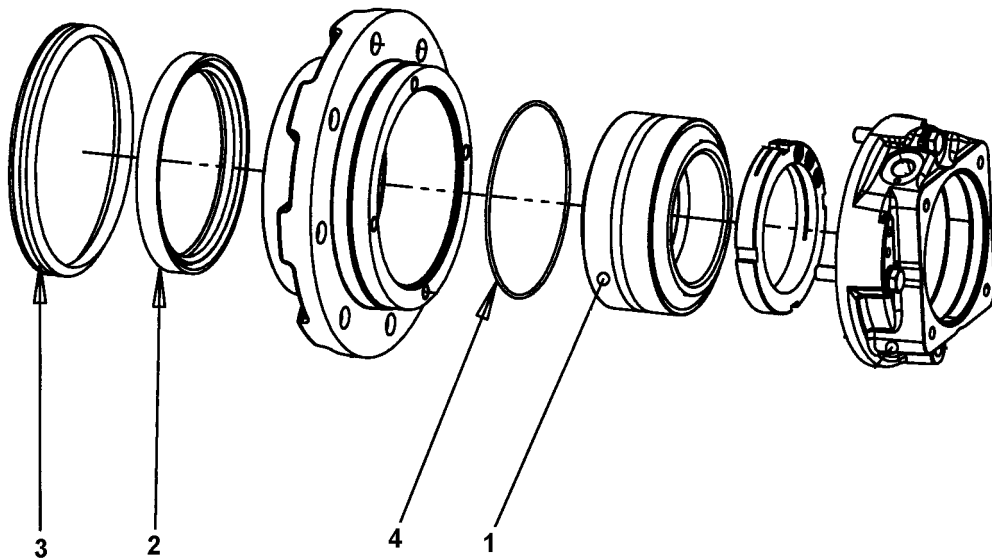
B) For static linear load low.



Eccentric shaft kit

Item	Part No	Rem Qty	Description	Code
	4700945657		Eccentric shaft kit	
1	4700390896	2	. Spherical roller bearing	B
2	4700900782	1	. Seal ring	D
3	4700900776	1	. O-ring	D

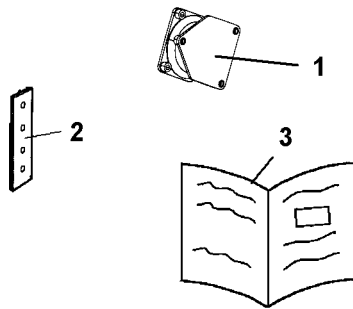
4812157275 Drum rotation kit



4812157275 Drum rotation kit

Item	Part No	Rem Qty	Description	Code
1	4700116041	1	Taper roller bearing	B
2	4700167023	1	Seal ring	B
3	4700929447	1	V-ring	B
4	4700160105	1	O-ring 70	C

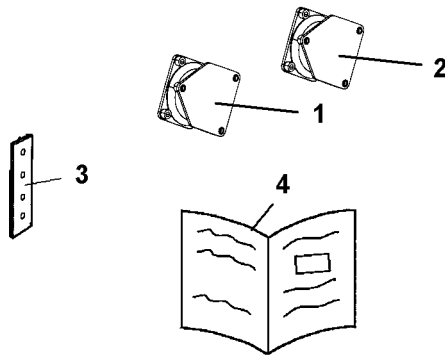
4812158580 Shock absorber kit, drum



4812158580 Shock absorber kit, drum

Item	Part No	Rem Qty	Description	Code
1	4812111046	10	Shock absorber	A
2	4812114344	4	Shim t = 1mm	
3	4812156170	1	Instructions	

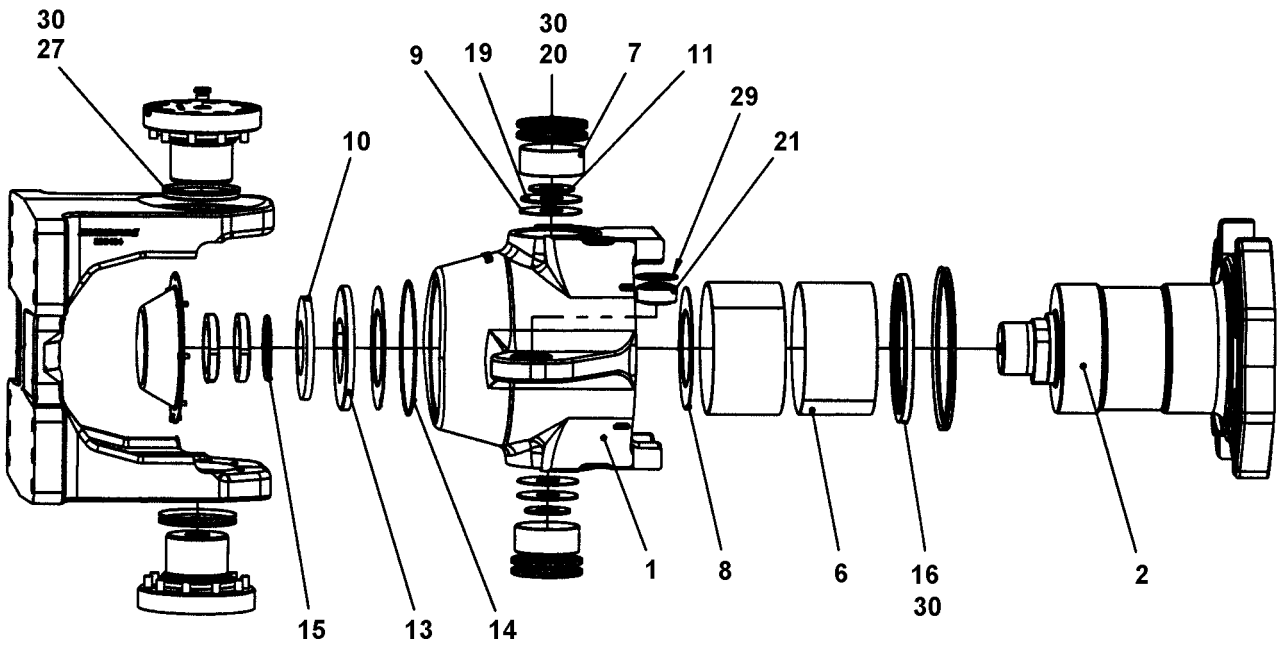
4812158581 Shock absorber kit, drum



4812158581 Shock absorber kit, drum

Item	Part No	Rem	Qty	Description	Code
1	4812111046	A	6	Shock absorber	A
2	4812113258	B	4	Shock absorber	A
3	4812114344		4	Shim t = 1mm	
4	4812156170		1	Instructions	

- A) Drive side.
- B) Vibration side.

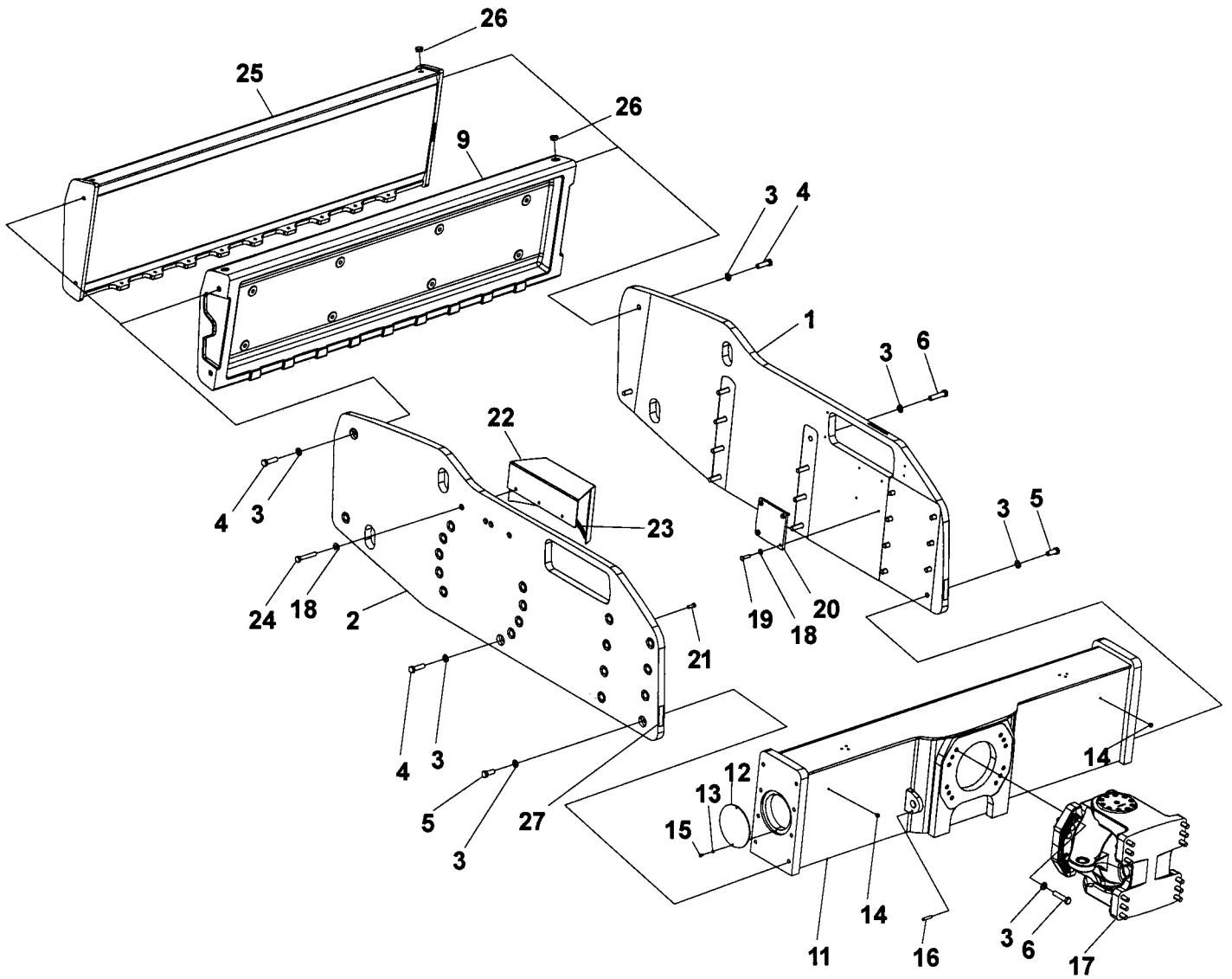


Steering hitch kits

Item	Part No	Rem Qty	Description	Code
	4812157779	1	Steering hitch kit, tilt	C
	4812113133	1	_Yoke	
	4812113137	1	_Shaft	D
	4700396588	2	_Sleeve bearing	B
	4700393523	2	_Slide washer	D
_10	4700390542	1	_Disc spring	D
_13	4700393115	1	_Thrust washer	D
_14	4700160277	1	_O-ring	D
_15	4700393218	1	_Back-up ring	C
_16	4700391031	1	_Radial lip-type seal	D
_30	4812030096	1	_Dynapac Roller Grease	A
	4812157780	1	Steering hitch kit, turn	C
	4700390539	2	_Sleeve bearing	B
	4700390541	2	_Slide washer	D
_11	4700390543	2	_Disc spring	D
_19	4700391566	2	_Washer	D
_20	4812113135	4	_Radial lip-type seal	D
_21	4700792611	4	_Radial spherical plain bearing	D
_27	4700167009	2	_V-ring	D
_29	4700151021	2	_Snap ring	B
_30	4812030096	1	_Dynapac Roller Grease	A

Frame

Item	Part No	Rem Qty	Description	Code
2		1	Frame, front (Page 36)	
3		1	Scrapers, option (Page 40)	
4		1	Frame, rear (Page 54)	
5		1	Engine structure (Page 72)	

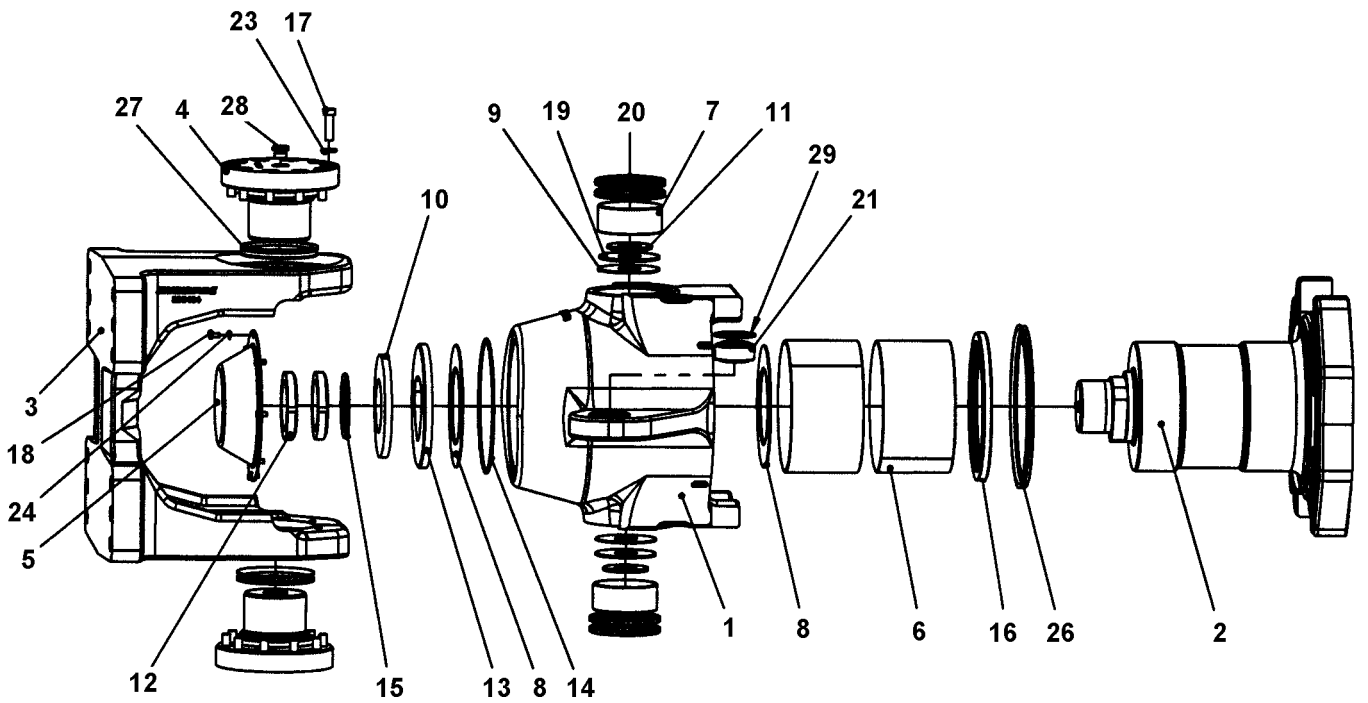


Frame, front

Item	Part No	Rem Qty	Description	Code
1	4812113505	1	Side plate	
2	4812113506	1	Side plate	
3	4700904233	62	Washer 21x36x3	C
4	4700500284	14	Screw	D
5	4700927411	16	Screw	D
6	4700925208	32	Screw M20x90	D
9	4812114179	A,D 1	Cross beam	
11	4812112898	1	Cross beam	
12	4812112162	2	Cover	
13	4700904228	4	Washer 6,4x12x1,5	C
14	4700232041	2	Filter plug	D
15	4700500013	4	Screw M6-1x16 8,8	C
16	4700629064	1	Spring pin, slotted	
17	4812113132	1	Steering hitch, cpl (Page 38)	D
18	4700904230	11	Steel plain washer	C
19	4700500028	4	Screw	C
20	4812113607	2	Bracket	
21	4700500028	4	Screw	C
22	4812113885	1	Protective hood	
23	4700902166	E 1XL	Edge trim	D
24	4700500161	3	Hexagon head screw	C
25	4812113513	A,B,C 1	Cross beam	
26	4700791396	2	Plug	C
27	4700377742	2	Reflector, red	D

- A) For D machines.
- B) For PD machines.
- C) Static linear load low.
- D) Static linear load medium.
- E) L = 0.315m

4812113132 Steering hitch, cpl

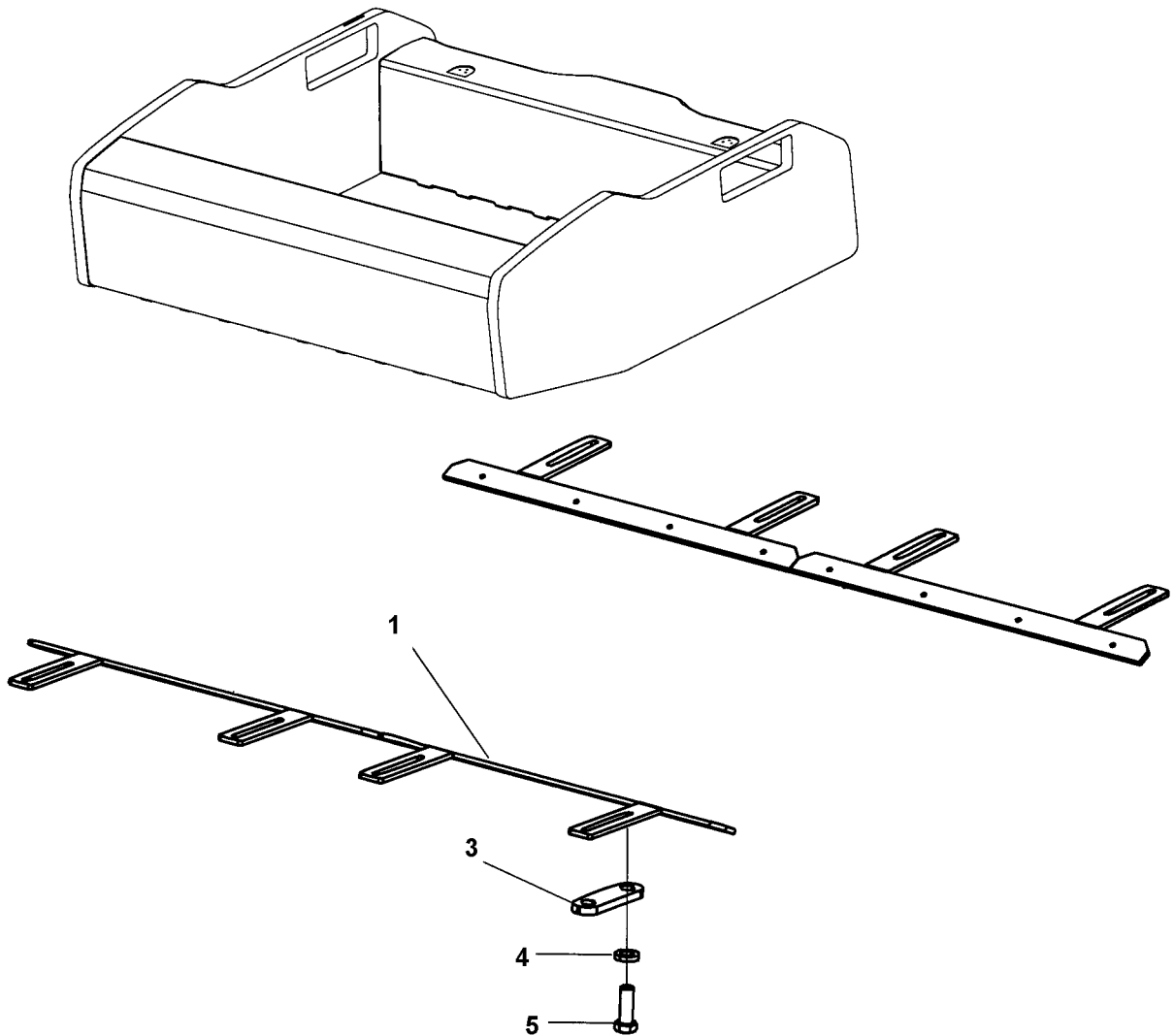


4812113132 Steering hitch, cpl

Item	Part No	Rem Qty	Description	Code
1	4812113133	1	Yoke	
2	4812113137	1	Shaft	D
3	4812112770	1	Hitch holder	D
4	4812113131	2	Shaft	D
5	4700392550	1	Cover	D
6	4700396588	2	Sleeve bearing	B
7	4700390539	2	Sleeve bearing	B
8	4700393523	2	Slide washer	D
9	4700390541	2	Slide washer	D
10	4700390542	1	Disc spring	D
11	4700390543	2	Disc spring	D
12	4700135015	2	Shaft nut	D
13	4700393115	1	Thrust washer	D
14	4700160277	1	O-ring	D
15	4700393218	1	Back-up ring	C
16	4700391031	1	Radial lip-type seal	D
17	4700792394	20	Screw	D
18	4700500012	8	Screw M6x12	C
19	4700391566	2	Washer	D
20	4812113135	4	Radial lip-type seal	D
21	4700792611	2	Radial spherical plain bearing	D
23	4700904231	20	Washer 13x24x2 300 HV	C
24	4700904228	8	Washer 6,4x12x1,5	C
26	4700792515	1	Sealing, v-ring	D
27	4700167009	2	V-ring	D
28	4700792295	2	Steel plug	D
29	4700151021	2	Snap ring	B

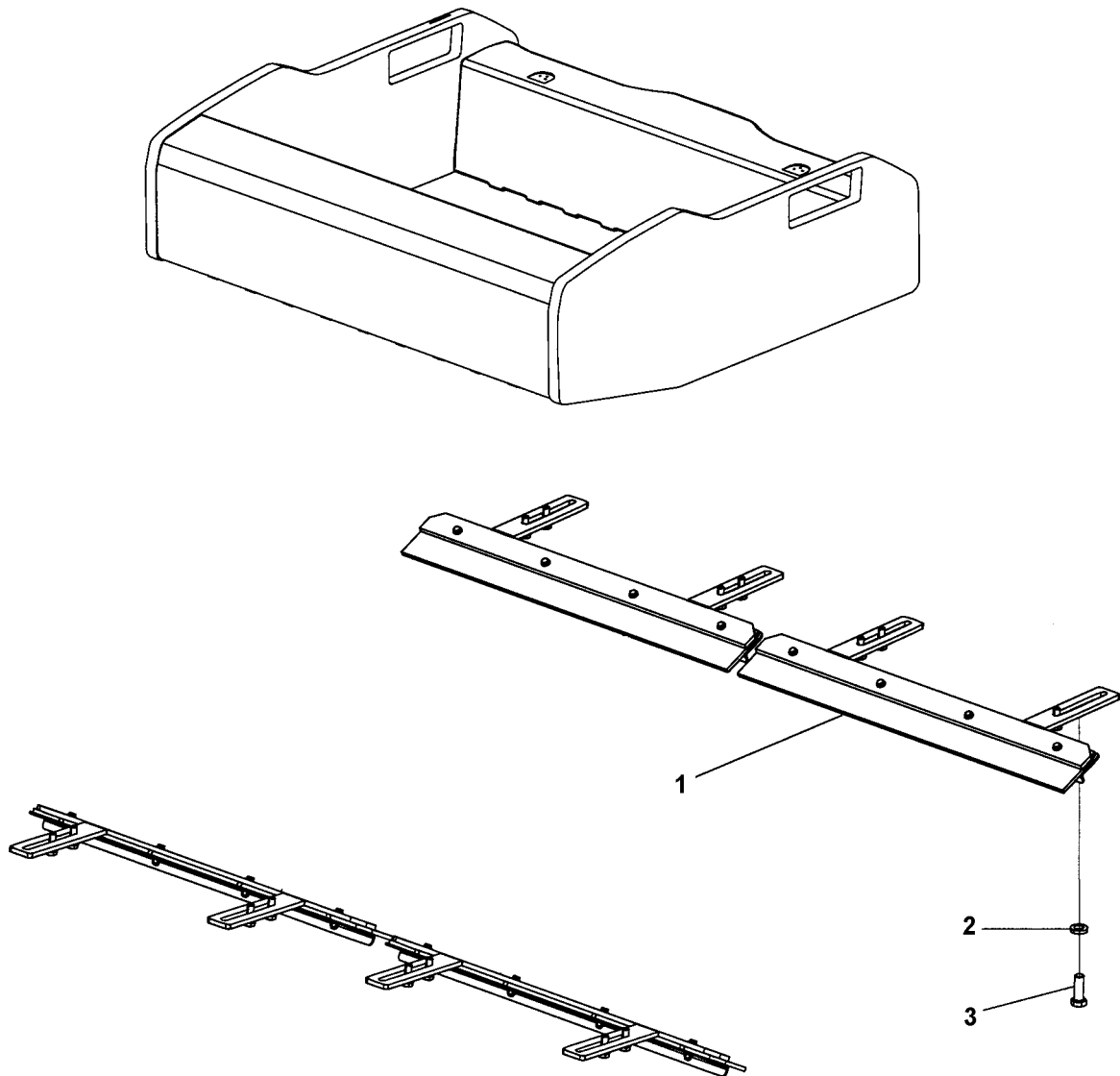
Scrapers, option

Item	Part No	Rem Qty	Description	Code
1		4	Scraper module (Page 42)	
2		4	Scraper module Rubber (Page 44)	
3		18	Scraper module PD Hardox (Page 48)	
4		2	Scraper module PD Heavy duty (Page 50)	



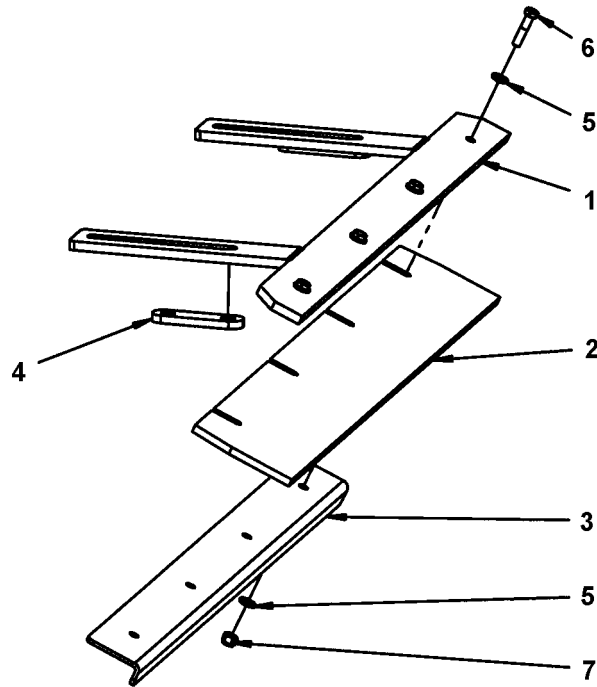
Scraper module

Item	Part No	Rem Qty	Description	Code
1	4812115778	1	Scraper	B
3	4812111103	2	Holder	C
4	4700904558	4	Washer 17X30X6 300HV	C
5	4700500102	4	Screw M16x45	D



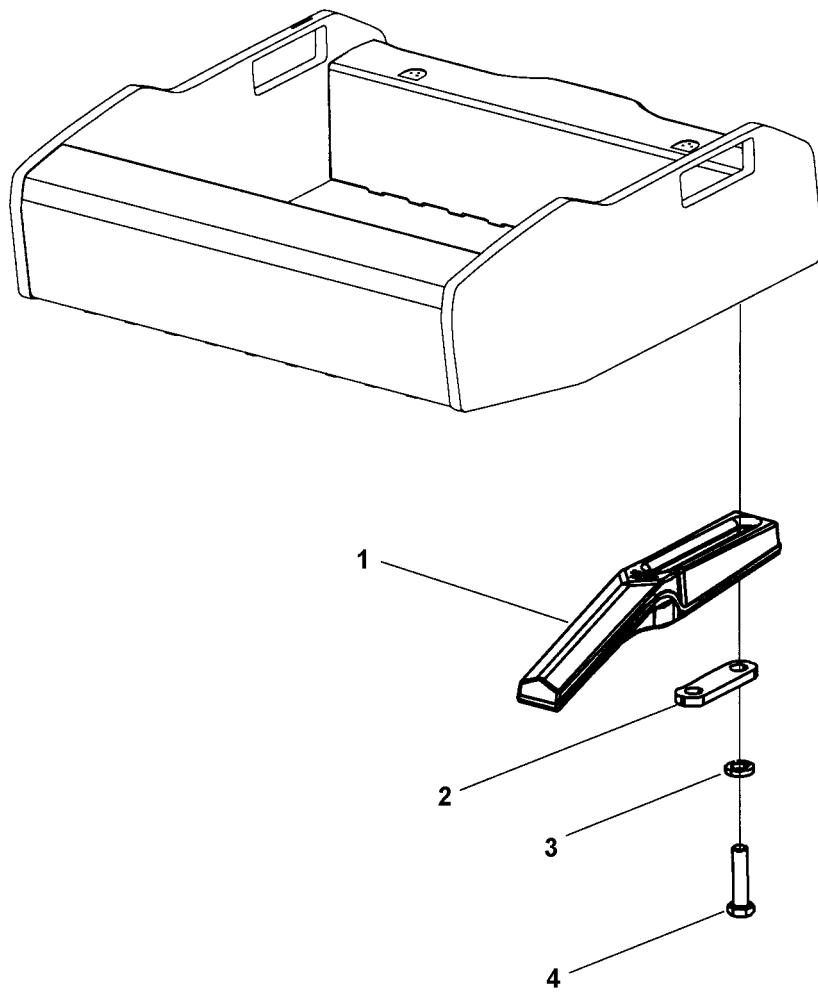
Scraper module Rubber

Item	Part No	Rem Qty	Description	Code
1		1	Scraper assy (Page 46)	
2	4700904558	4	Washer 17X30X6 300HV	C
3	4700500102	4	Screw M16x45	D



Scraper assy

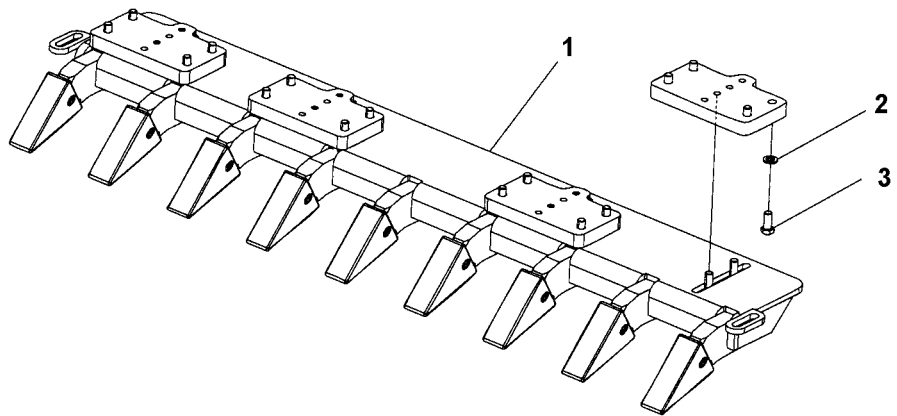
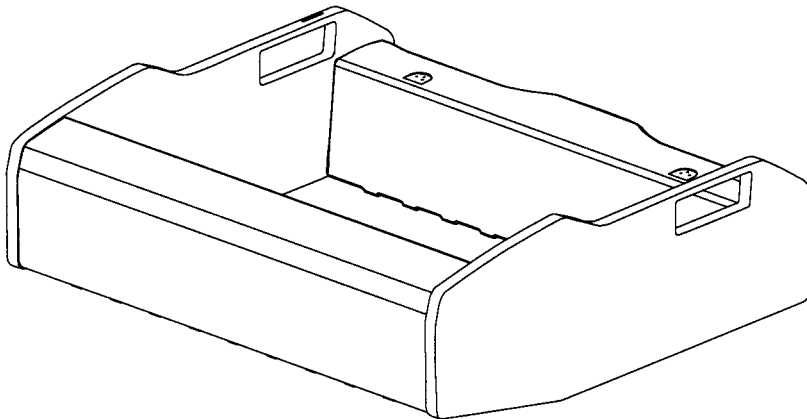
Item	Part No	Rem Qty	Description	Code
1	4812115778	1	Scraper	B
2	4812114833	1	Scraper blade	
3	4812111092	1	Bracket	
4	4812111103	2	Holder	C
5	4700904230	8	Steel plain washer	C
6	4700500161	4	Hexagon head screw	C
7	4700586018	4	Hexagon lock nut M10	C



Scraper module PD Hardox

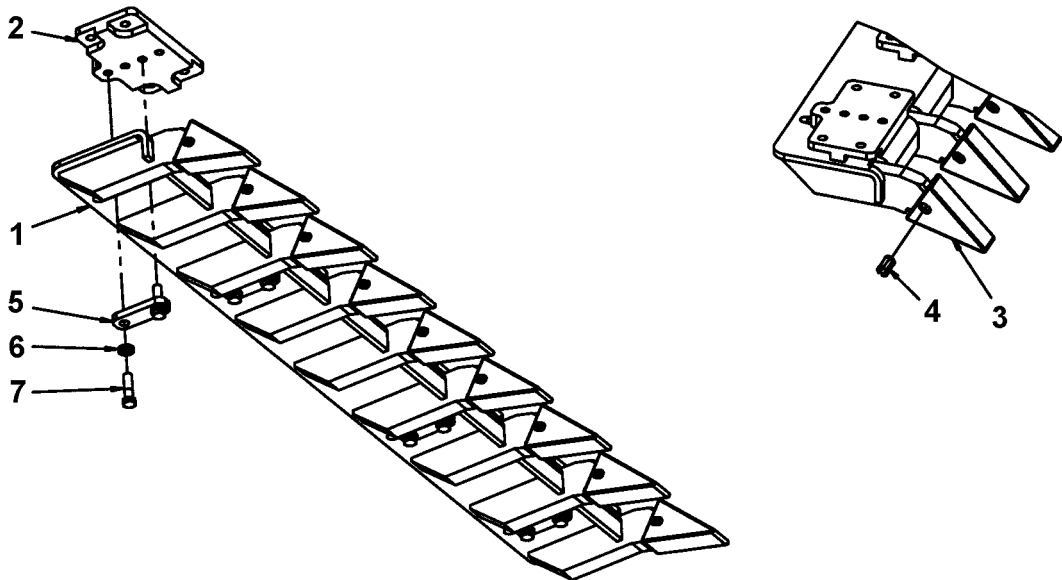
Item	Part No	Rem Qty	Description	Code
1	4812115673	1	Scraper tooth	B
2	4812111103	1	Holder	C
3	4700904558	2	Washer 17X30X6 300HV	C
4	4811000109	2	Screw	D

Scraper module PD Heavy duty



Scraper module PD Heavy duty

Item	Part No	Rem Qty	Description	Code
1		1	Scraper mount (Page 52)	
2	4700904232	16	Washer	C
3	4700500123	16	Screw M16x35	D



Scraper mount

Item	Part No	Rem	Qty	Description	Code
1	4812116617		1	Scraper assy	
2	4812115508		4	Adapter	
3	4700383844		9	Tooth	B
4	4700801631		9	Flexible pin 56,5x40	D
5	4812118062	A	4	Holder	C
6	4700904558		8	Washer 17X30X6 300HV	C
7	4700500270	A	8	Screw M16x60 10,9	D

A) Item 5 and 7 used together.

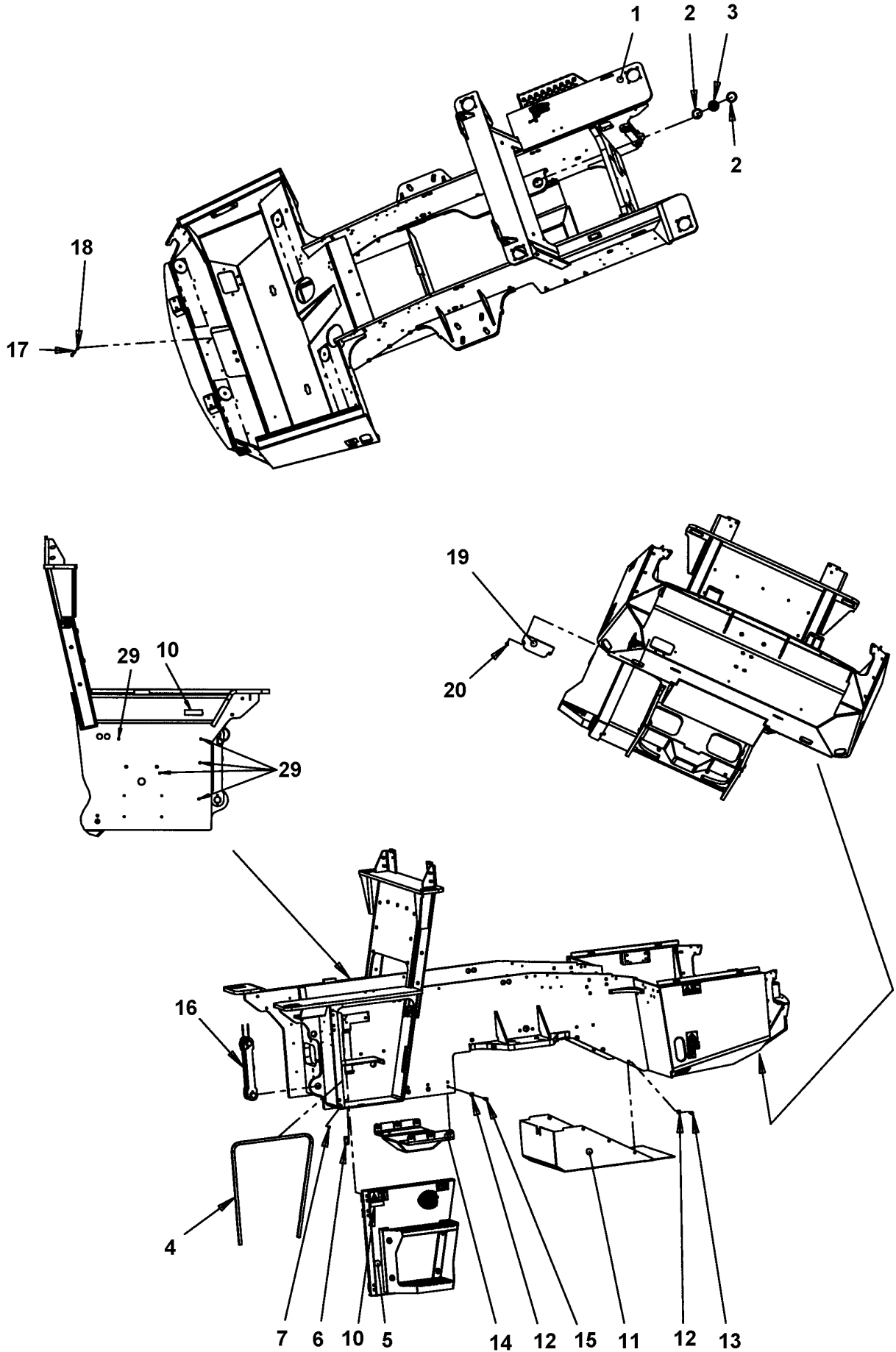
Frame, rear

Frame, rear

Item	Part No	Rem Qty	Description	Code
1		1	Frame, rear (Page 56)	
2		1	Bumper (Page 62)	B
3		1	Bumper, rear lights, option (Page 64)	B
4		1	Tool box module, Option (Page 66)	
5		A	Step module (Page 68)	

A) Used with cab.

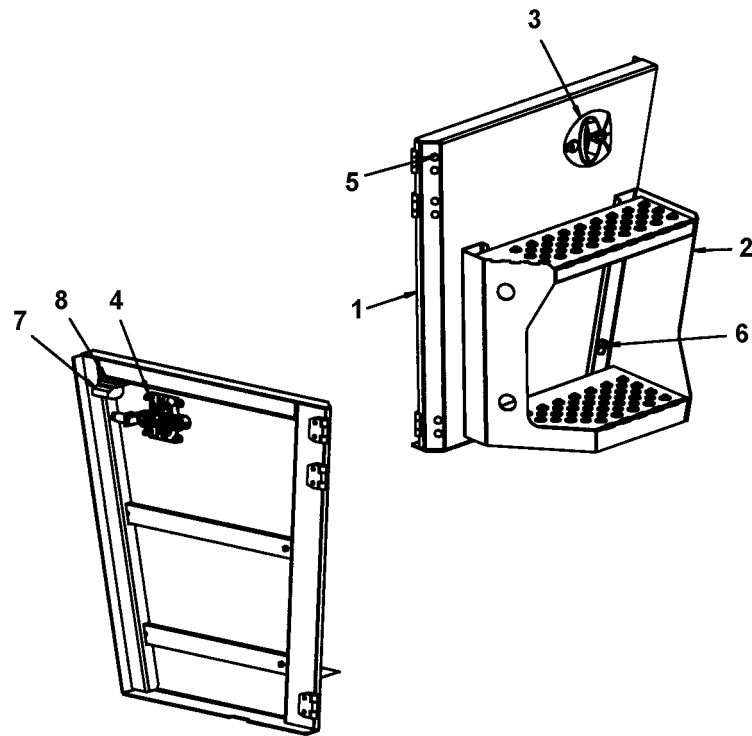
Frame, rear



Frame, rear

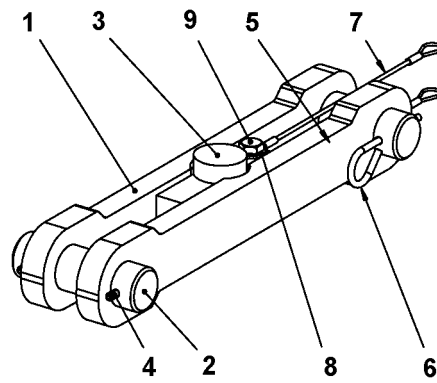
Item	Part No	Rem Qty	Description	Code
1	4812114270	1	Frame, rear	
2	4700151021	4	Snap ring	B
3	4700792611	2	Radial spherical plain bearing	D
4	4700202057	A 1XL	Edge trim	D
5		1	Cover assembly (Page 58)	
6	4700389857	3	Threaded plate	D
7	4700513012	6	Screw M6x20 10,9	D
10	4700377744	2	Reflector, yellow	D
11	4812111010	1	Cover plate	D
12	4700904557	12	Steel plain washer	C
13	4700500031	6	Screw M10x040 8.8	C
14	4812112439	1	Protective plate	D
15	4700500161	6	Hexagon head screw	C
16		1	Articulated Joint Module (Page 60)	B
17	4700500239	1	Screw M8x50H 8,8	C
18	4700570005	1	Nut M8	C
19	4812113904	1	Cover plate	D
20	4700901832	2	Screw	C
29	4700926215	5	Protective plug	C

A) L = 1.83m



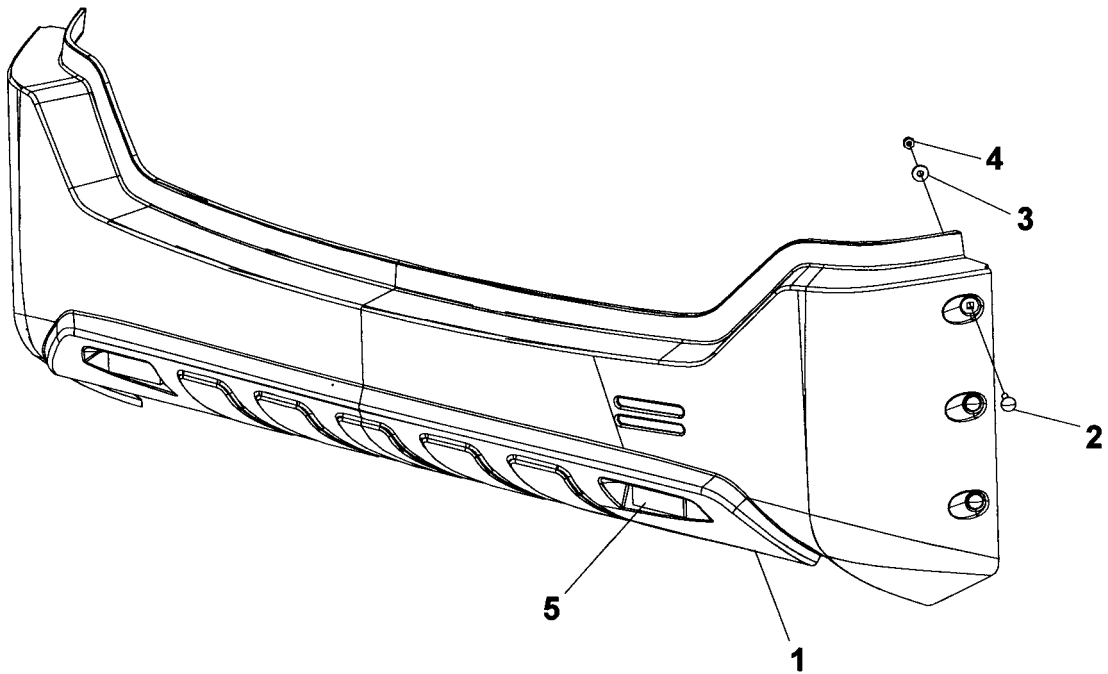
Cover assembly

Item	Part No	Rem Qty	Description	Code
1	4812112058	1	Cover	D
2	4812112059	1	Step assy	C
3	4812115745	1	Lock with bracket	D
4	4700902284	4	Nut M5	C
5	4700921723	6	Plug	C
6	4700508096	4	Screw	C
7	4700390365	1	Spacer	D
8	4700513017	2	Screw M6x30H 10,9	C



Articulated Joint Module

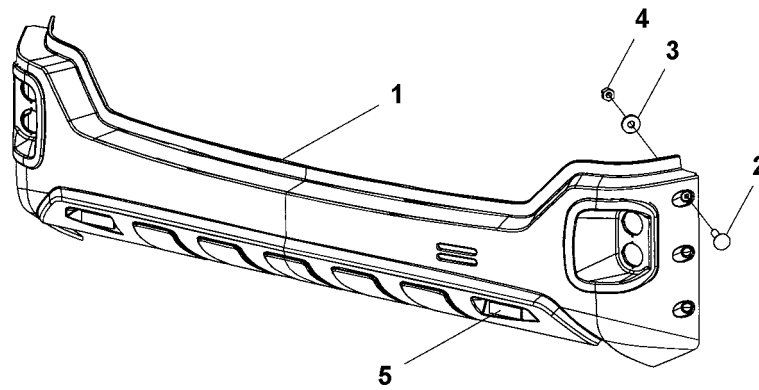
Item	Part No	Rem Qty	Description	Code
1	4812114801	1	Articulated joint lock	D
2	4812112764	2	Shaft	D
3	4700792601	1	Shock absorber	D
4	4700629061	2	Expanding pin	D
5	4700357488	1	Spring	D
6	4700635057	1	Hair pin	D
7	4700381619	2	Wire	D
8	4700904230	2	Steel plain washer	C
9	4700500043	2	Screw M10x16H 8,8	D



Bumper

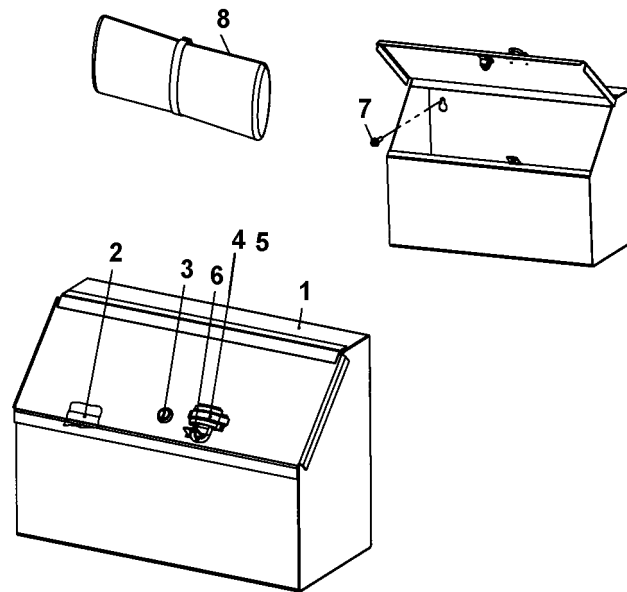
Item	Part No	Rem Qty	Description	Code
1	4812113971	1	Bumper	
2	4812117106	6	Cup square neck bolt	C
3	4700904640	6	Washer 8,4x22x3	C
4	4700586003	6	Lock nut M8	C
5	4700377742	2	Reflector, red	D

Bumper, rear lights, option



Bumper, rear lights, option

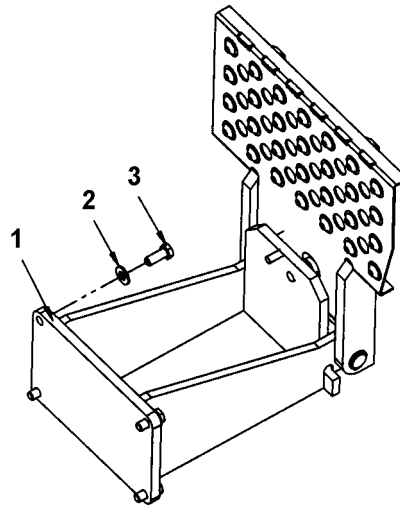
Item	Part No	Rem Qty	Description	Code
1	4812113972	1	Bumper	C
2	4812117106	6	Cup square neck bolt	C
3	4700904640	6	Washer 8,4x22x3	C
4	4700586003	6	Lock nut M8	C
5	4700377742	2	Reflector, red	D



Tool box module, Option

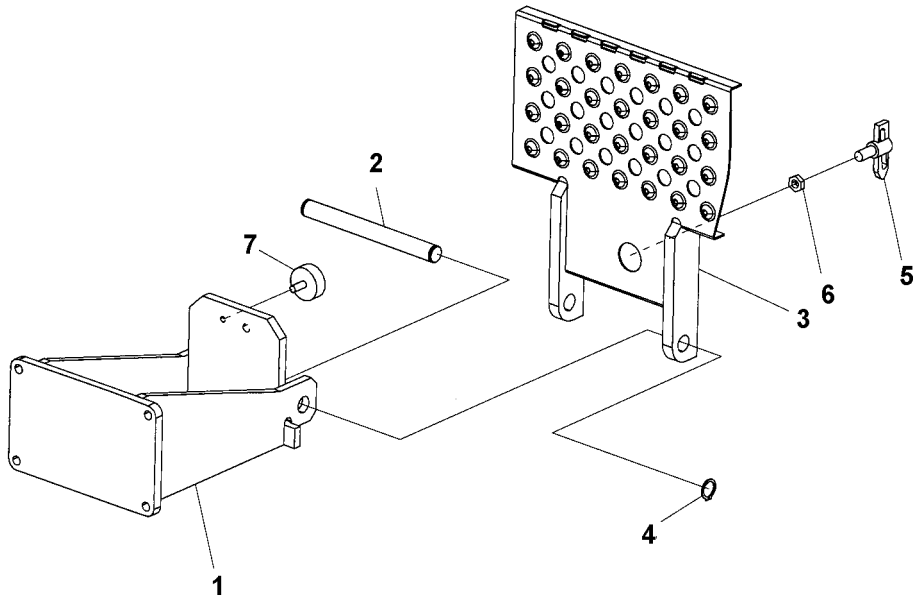
Item	Part No	Rem	Qty	Description	Code
1	4812114756		1	Tool box	
2	4700903615	A	1XL	Rubber strip	D
3	4700372658		1	Lock	D
4	4700394536		1	Wiring clip	D
5	4700624018		2	Blind rivet	D
6	4700358881		1	Pad lock	D
7	4700902041		3	Screw M8 x 25	
8	4700355889		1	Tool set Cpl	D

A) L=0.48m



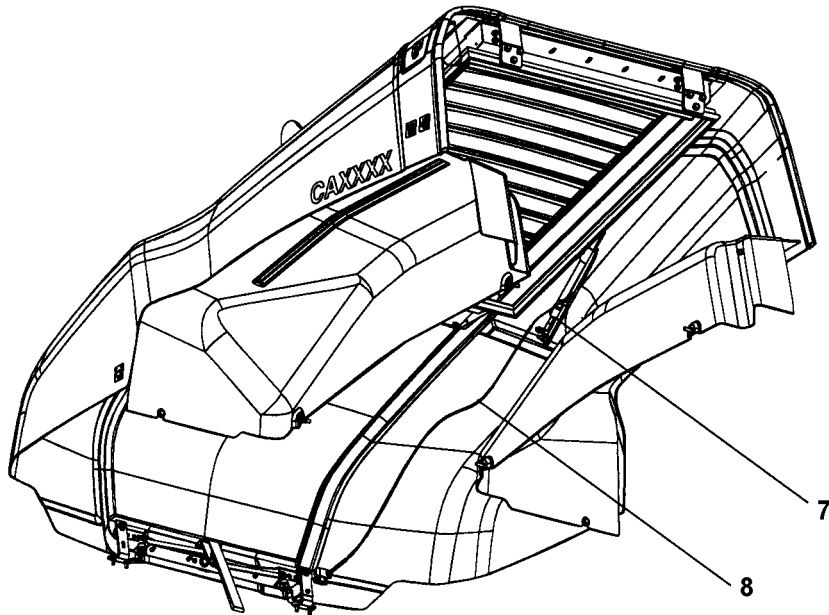
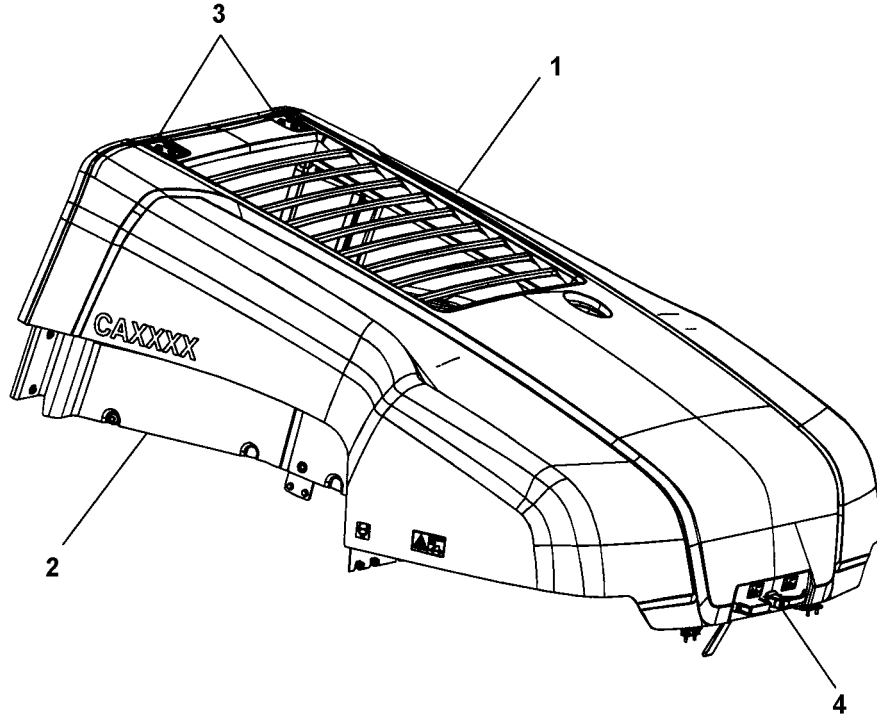
Step module

Item	Part No	Rem Qty	Description	Code
1		1	Step assy (Page 70)	D
2	4700904230	4	Steel plain washer	C
3	4700500028	4	Screw	C



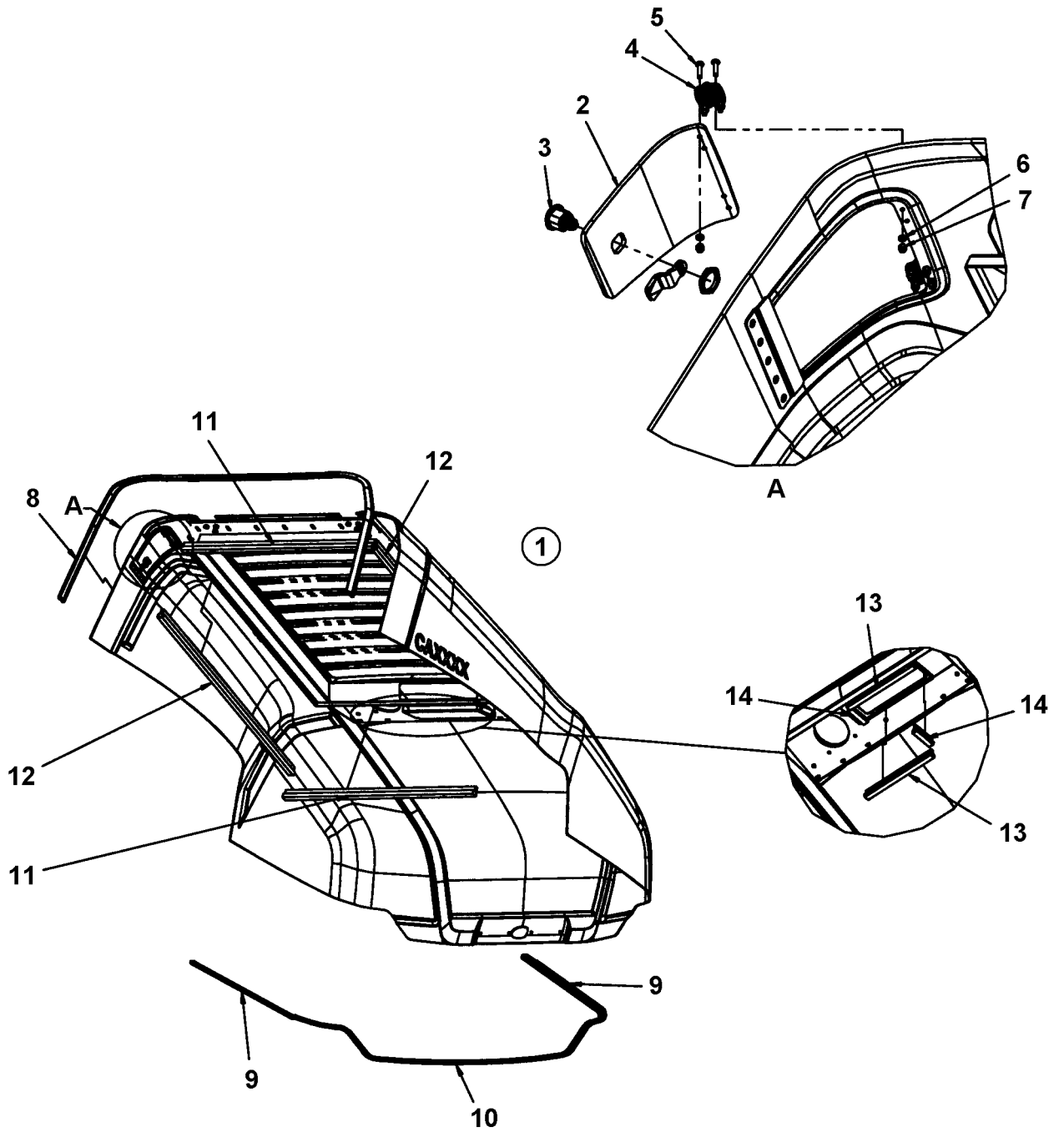
Step assy

Item	Part No	Rem Qty	Description	Code
1	4812114759	1	Bracket	
2	4812114761	1	Shaft	
3	4812114760	1	Step	
4	4700150008	2	Snap ring	
5	4700475064	1	Lock	D
6	4700927233	1	Nut	C
7	4700792601	1	Shock absorber	D



Engine structure

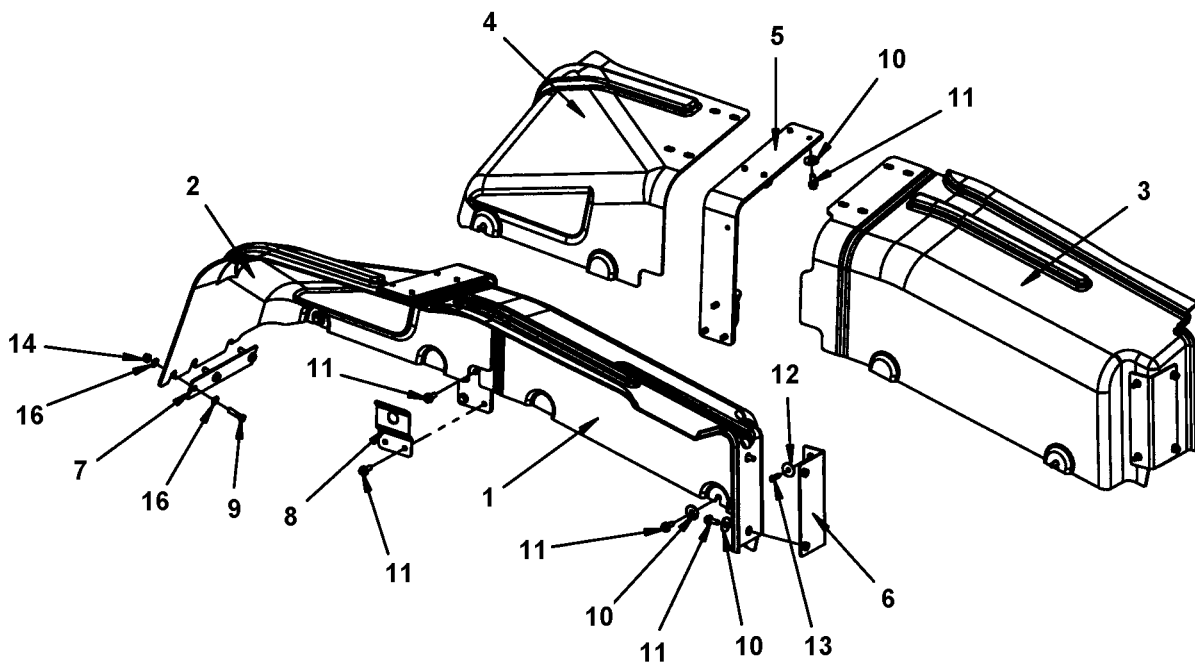
Item	Part No	Rem Qty	Description	Code
1		1	Engine hood module (Page 74)	
2		1	Fender module (Page 76)	
3		1	Hinge module (Page 78)	
4		1	Lock handle module (Page 80)	
7		1	Gas spring module (Page 84)	
8		1	Safety link module (Page 86)	



Engine hood module

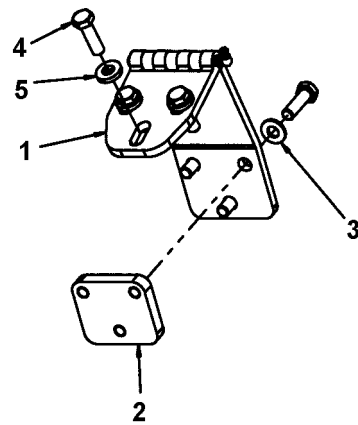
Item	Part No	Rem	Qty	Description	Code
1	4812115516		1	Engine hood Cpl	
2	4812116993		1	. Cover	
3	4812112834		1	. Lock	D
4	4812116862		2	. Hinge	
5	4812117943		8	. Hexagon socket flat cap screw	
6	4700904698		8	. Washer 4,3x8x0,8	C
7	4700923976		8	. Nut	C
8	4812114814		1	Sealing strip	C
9	4812116284	A	1XL	Sealing strip	
10	4812116284	B	1XL	Sealing strip	
11	4812117839	C	1XL	Sealing strip	
12	4812117839	D	1XL	Sealing strip	
13	4812117839	E	1XL	Sealing strip	
14	4812117839	F	1XL	Sealing strip	

- A) L = 1.48m
- B) L = 1.82m
- C) L = 1.96m
- D) L = 2.44m
- E) L = 0.76m
- F) L = 0.21m



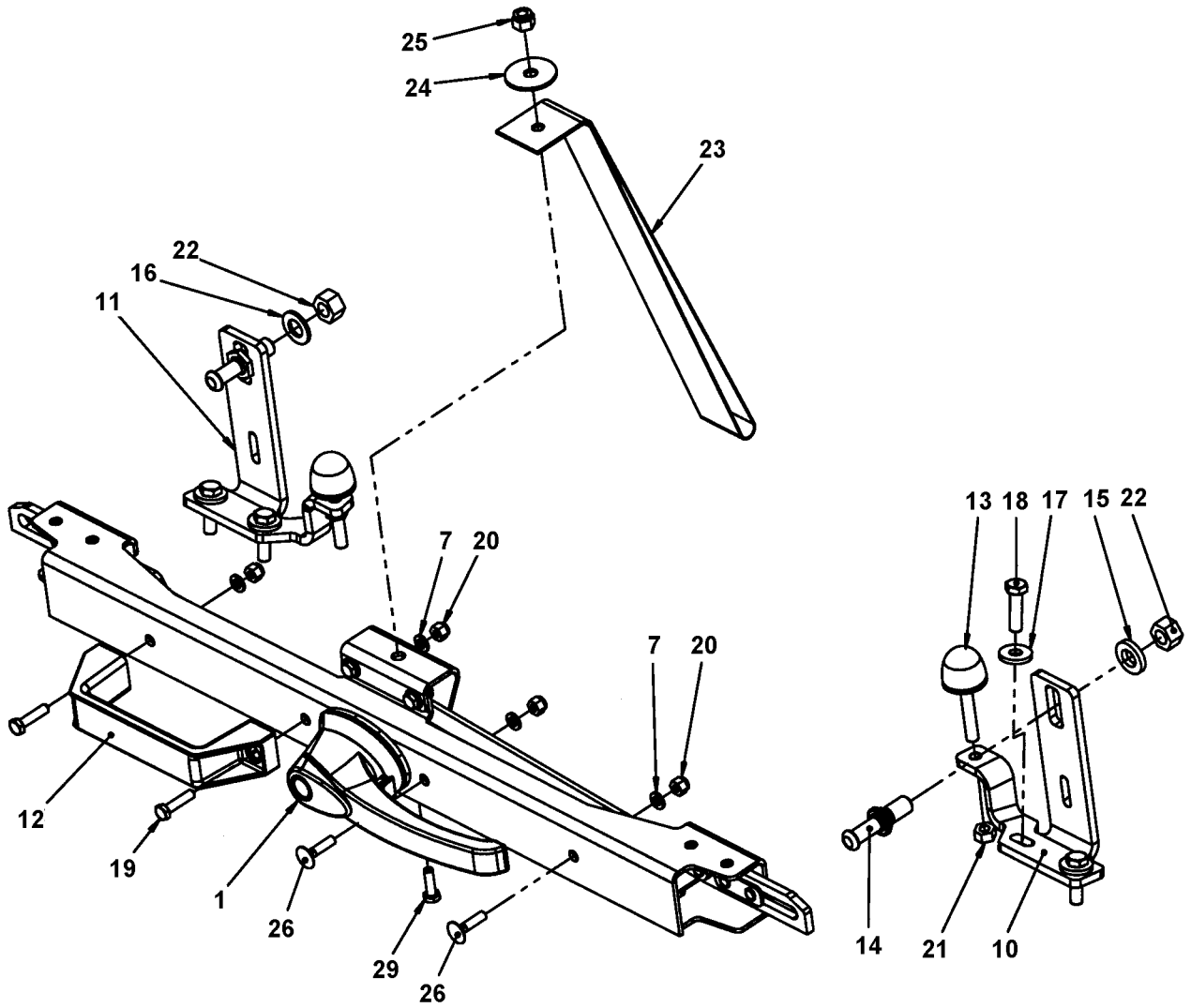
Fender module

Item	Part No	Rem Qty	Description	Code
1	4812115231	1	Fender	
2	4812115232	1	Fender	
3	4812115233	1	Fender	
4	4812115234	1	Fender	
5	4812115022	2	Bracket	D
6	4812115722	2	Bracket	D
7	4812115723	2	Bracket	D
8	4812116308	2	Bracket	
9	4700500031	6	Screw M10x040 8.8	C
10	4700615061	16	Steel plain washer	C
11	4700500509	22	Hexagon screw with flange	D
12	4700615050	4	Washer	C
13	4700500021	4	Screw M8-1,25x25 8.8	C
14	4700586018	5	Hexagon lock nut M10	C
16	4700904230	11	Steel plain washer	C



Hinge module

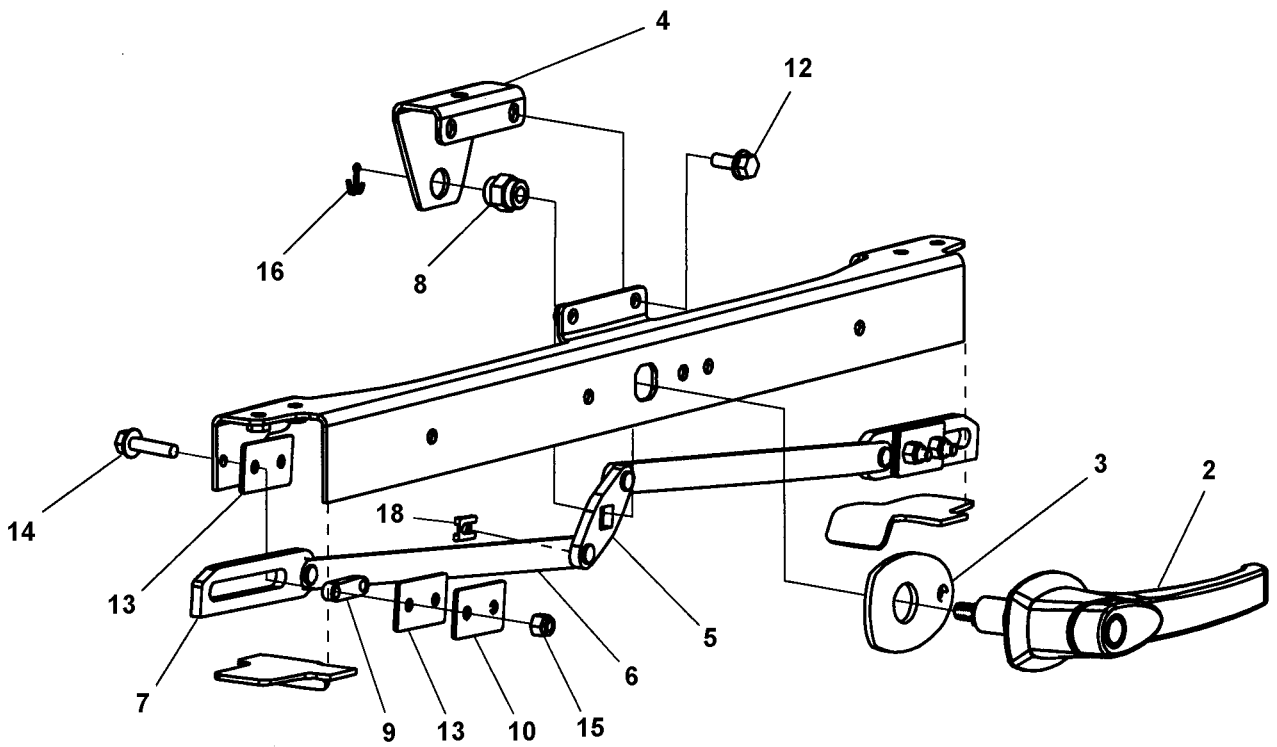
Item	Part No	Rem Qty	Description	Code
1	4812112402	2	Hinge	D
2	4700374799	2	Holder plate	C
3	4700904230	6	Steel plain washer	C
4	4700500030	12	Screw M10x035H 8.8 A3K	C
5	4700904557	6	Steel plain washer	C



Lock handle module

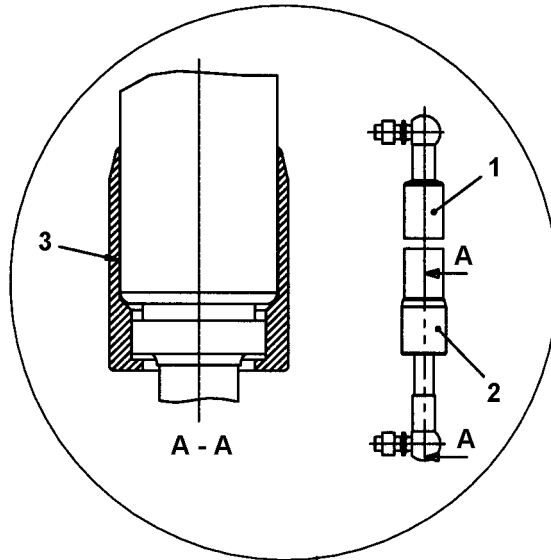
Item	Part No	Rem Qty	Description	Code
1	4812114363	1	Lock handle, cpl (Page 82)	
7	4700904228	4	Washer 6,4x12x1,5	C
10	4812112845	1	Holder	D
11	4812112846	1	Holder	D
12	4812112404	1	Grab handle	C
13	4812114318	2	Shock absorber	C
14	4812115010	1	Lock pin	D
15	4700904703	1	Washer	B
16	4700904231	1	Washer 13x24x2 300 HV	C
17	4700904640	4	Washer 8,4x22x3	C
18	4700500022	4	Screw M8x30H 8.8	C
19	4700500075	3	Screw M6-1,0x25 8.8	C
20	4700586002	4	Lock nut M6 -8	C
21	4700570005	2	Nut M8	C
22	4700570007	2	Hexagon nut M12	C
23	4700374854	1	Grab handle	D
24	4700615050	1	Washer	C
25	4700586003	1	Lock nut M8	C
26	4700903923	2	Bolt, cup square neck M6x25H 4,6 FZB	C
29	4700500040	1	Screw M6-1x20 8,8	C

4812114363 Lock handle, cpl

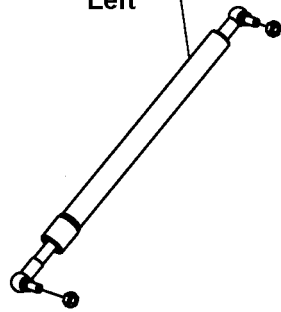


4812114363 Lock handle, cpl

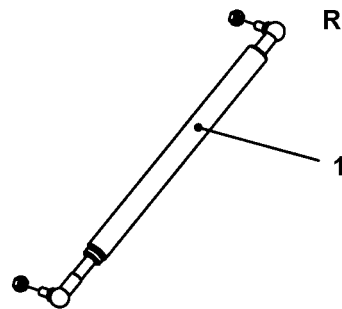
Item	Part No	Rem Qty	Description	Code
1	4812114363	1	Lock handle, cpl (Page 82)	
2	4812112403	1	. Lock handle	B
	4700902866	1	. . Key Marked "455"	
3	4812114828	1	. Spacer washer	C
4	4812114827	1	. Holder	D
5	4812114829	1	. Coupling link	D
6	4812114830	2	. Lock lever	D
7	4812112843	2	. Lock lever	D
8	4812114831	1	. Lock nut	D
9	4812112884	2	. Slide plate	
10	4812116793	2	. Thrust washer	D
12	4700792119	2	. Screw	C
13	4812116792	4	. Slide plate	
14	4700500502	4	. Hexagon screw with flange M6 -25	C
15	4700586002	4	. Lock nut M6 -8	C
16	4700630003	1	. Cotter pin	D
18	4812117473	4	. Locking clip for shaft	



Left



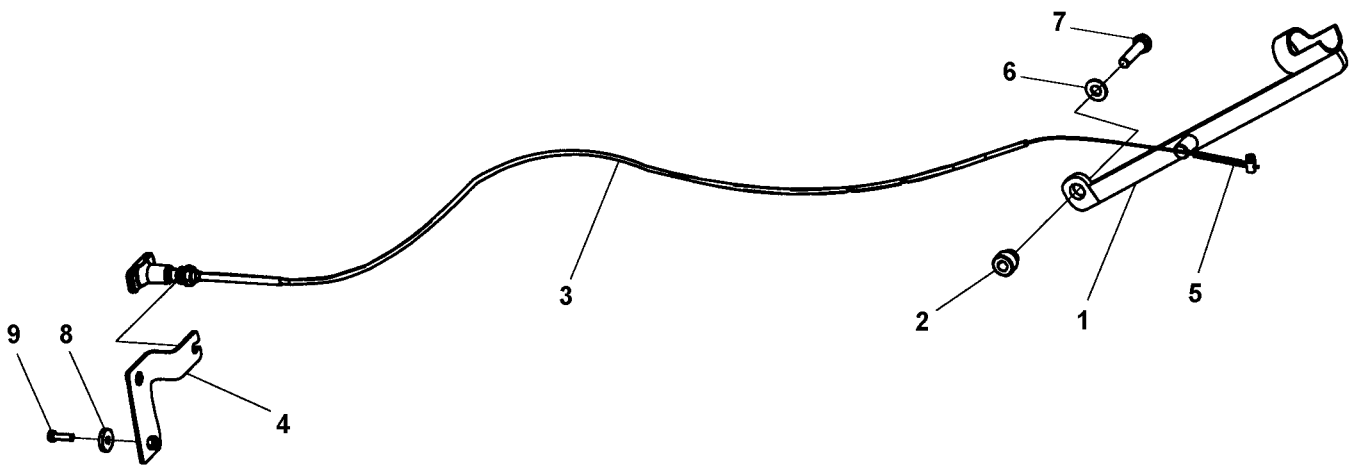
Right



Gas spring module

Item	Part No	Rem	Qty	Description	Code
1	4812112405		2	Gas spring	B
2	4700382383	A	1	Gas spring protection	B
3			N	Loctite 638	

A) Only on left side.



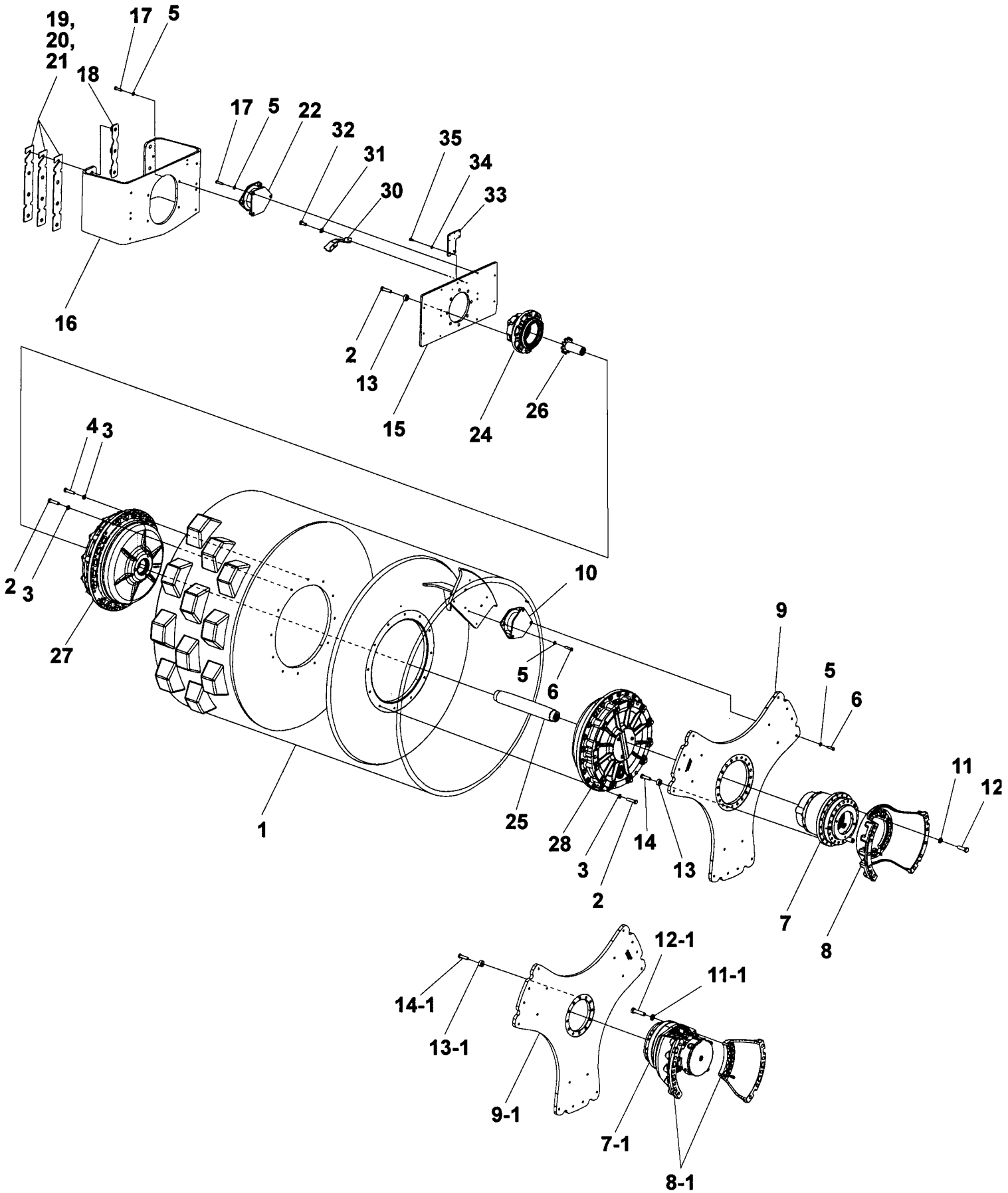
Safety link module

Item	Part No	Rem Qty	Description	Code
1	4812112736	1	Safety link	
2	4812112952	1	Spacer	C
3	4812112950	1	Control wire	D
4	4812112951	1	Holder	D
5	4811000462	1	Compression spring	D
6	4700904230	1	Steel plain washer	C
7	4700500031	1	Screw M10x040 8.8	C
8	4700904735	1	Washer	C
9	4700500040	1	Screw M6-1x20 8,8	C

Drum

Item	Part No	Rem Qty	Description	Code
1		1	Drum, cpl (Page 90)	
2		1	Pad shell, option (Page 122)	

Drum, cpl

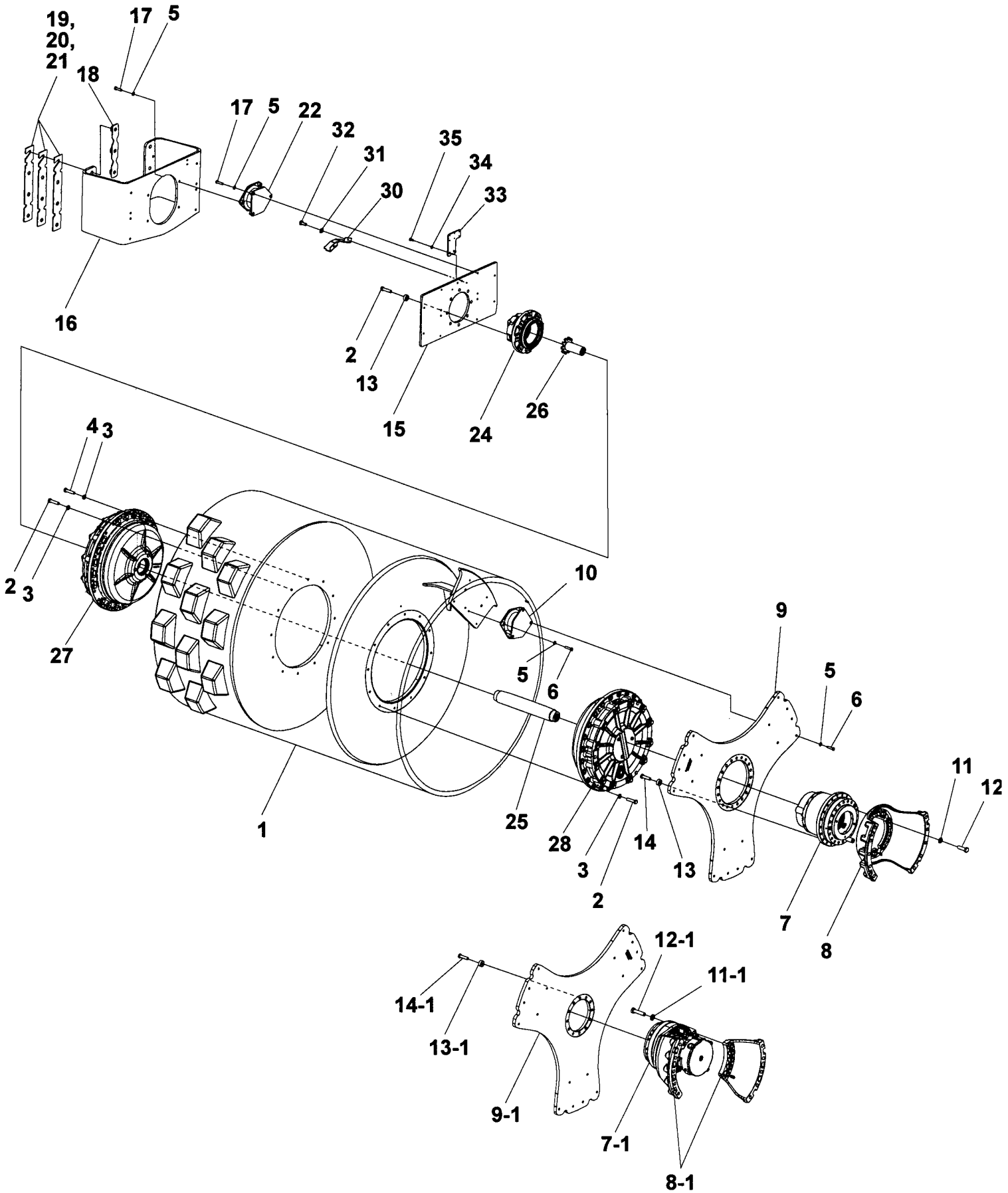


Drum, cpl

Item	Part No	Rem	Qty	Description	Code
1	4812113213	C	1	Drum	
	4812113224		1	Drum	
	4812113214	B	1	Drum, pad	
2	4700500082		31	Screw M16x70 8,8	D
3	4700904232		24	Washer	C
4	4700384121		1	Air breather screw	B
5	4700904231		50	Washer 13x24x2 300 HV	C
6	4812110644		36	Hexagon screw w Tuflok M12x50 10.9 GEOMET	C
7	4812113266	H	1	Drum gear (Page 94)	
7-1	4812112198	G	1	Hydraulic motor (Page 96)	
8	4812113281		1	Bracket	
8-1	4812113283	G	1	Bracket	
9	4812113699		1	Driving disc	
9-1	4812113075	G	1	Driving disc	
10	4812111046		6	Shock absorber	A
11	4700904233		17	Washer 21x36x3	C
11-1	4700904260	G	10	Washer	
12	4700947706		17	Hexagon head screw M20X0,65 10.9	C
12-1	4812116183	G	10	Hexagon head screw	
13	4700384114		28	Spacer	A
13-1	4700384114	G	12	Spacer	A
14	4700947699		20	Screw	D
14-1	4700947698	G	12	Screw M16x55 10.9	C
15	4812113148		1	Bracket	
16	4812113853		1	Bracket	
17	4812110642		24	Hexagon screw w Tuflok M12x45 10.9 Geomet	C
18	4812114340		2	Nut-plate	
19	4812114344	N		Shim t = 1mm	
20	4812114345	N		Shim t = 3mm	
21	4812114346	N		Shim t = 5mm	
22	4812111046	E	4	Shock absorber	A
	4812113258	F	4	Shock absorber	A
24			1	Vibration motor adapter (Page 100)	
25	4812112465	D	1	Drive shaft	D
	4700349682		1	Drive shaft	D
26			1	Tooth wheel module (Page 102)	
27	4812158090	B	1	Drum cartridge, vibration side (PD version) (Page 104)	
	4812158091	A	1	Drum cartridge, vibration side (D version) (Page 106)	
	4812158093	B,D	1	Drum cartridge, vibration side (PD, comp. data high) (Page 108)	
	4812158095	B	1	Drum cartridge with shaft nut, vibration side (PD version) (Page 110)	
	4812158096	A	1	Drum cartridge with shaft nut, vibration side (D version) (Page 112)	
	4812158098	B,D	1	Drum cartridge with shaft nut, vibration side (PD, comp. data high) (Page 114)	
28	4812158085	B	1	Drum cartridge, drive side (PD version) (Page 116)	
	4812158086	A	1	Drum cartridge, drive side (D version) (Page 118)	
	4812158088	B,D	1	Drum cartridge, drive side (PD, comp. data high) (Page 120)	
30	4812116029	I	1	Protective casing	
31	4700904556	I	2	Washer 8,4x16x3,0	C
32	4700500053	I	2	Screw M8x20H 8.8	C

- A) For D machines.
- B) For PD machines.
- C) Anti-spin system, option.
- D) Compaction data high, option.
- E) Static linear load medium.
- F) Static linear load low.
- G) Used with smooth drum.
- H) Used with pads drum.
- I) Used with frequency sensor, option.

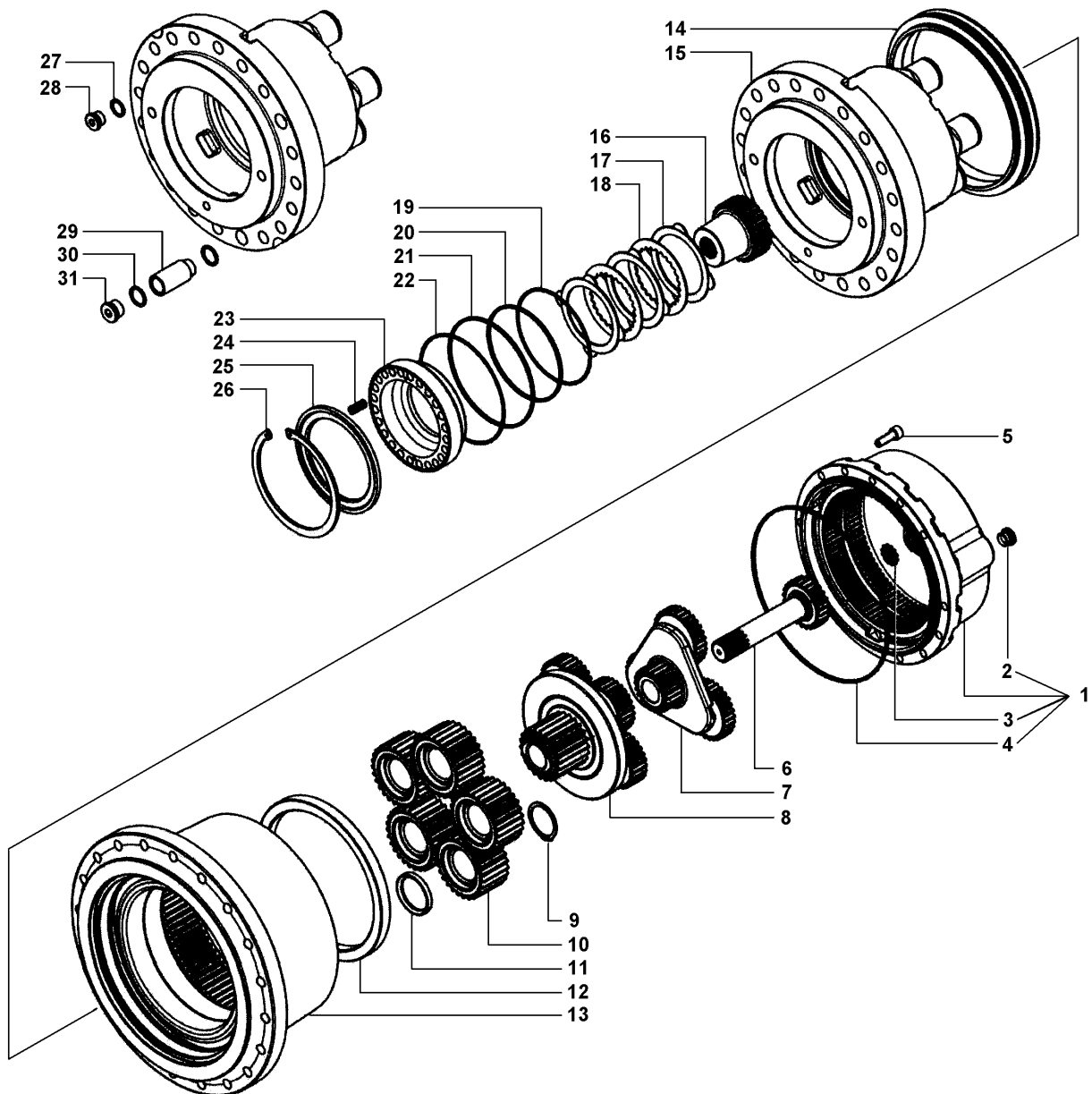
Drum, cpl



Drum, cpl

Item	Part No	Rem	Qty	Description	Code
33	4812116043	J	1	Plate	
34	4700904231	J	2	Washer 13x24x2 300 HV	C
35	4700500051	J	2	Screw M12x25H 8.8 A3K	C

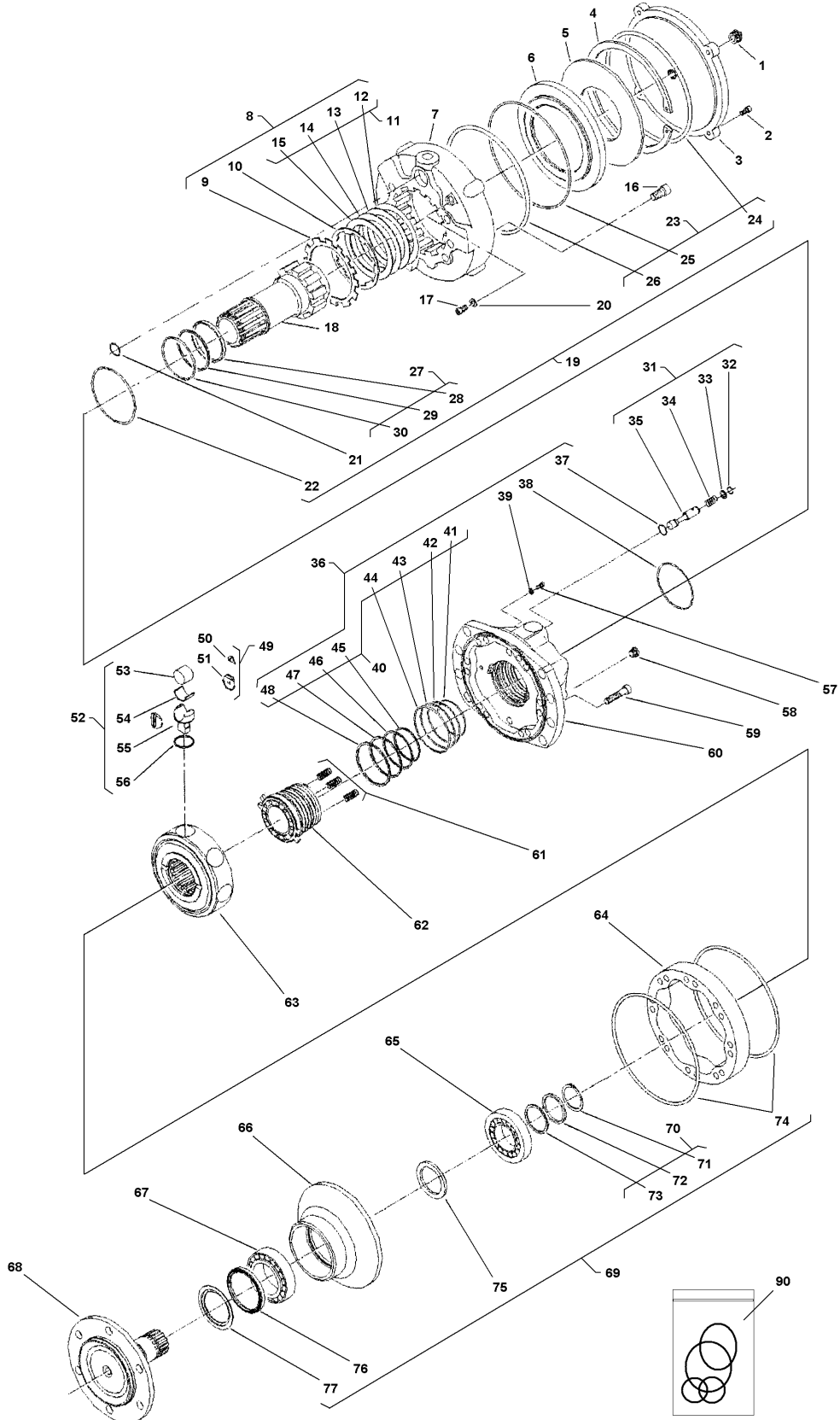
J) Used with compaction meter, option.



4812113266 Drum gear

Item	Part No	Rem Qty	Description	Code
1	4812158777	1	. Cover Assy	
2	4812158783	2	. . Oil breather plug	
3		1	. . Pad	
4	4812158778	1	. . O-ring	
5		13	. Screw	
6		1	. Sun gear	
7		1	. Reduction assy	
8		1	. Reduction assy	
9		5	. Circlip	
10		5	. Planetary assy	
11		5	. Spacer	
12		1	. Nut	
13	4812158779	1	. Housing and bearing	
14	4812158780	1	. Seal	
15		1	. Hub	
16		1	. Brake shaft	
17		6	. Sintered disc	
18		5	. Steel disc	
19		1	. Back-up ring	
20	4812158781	1	. O-ring	
21	4812158782	1	. O-ring	
22		1	. Back-up ring	
23		1	. Brake piston	
24		20	. Spring	
25		1	. Spring retainer	
26		1	. Circlip	
27		1	. Washer	
28		1	. Plug	
29		1	. Extension	
30		3	. Washer	
31		2	. Plug	

4812112198 Hydraulic motor

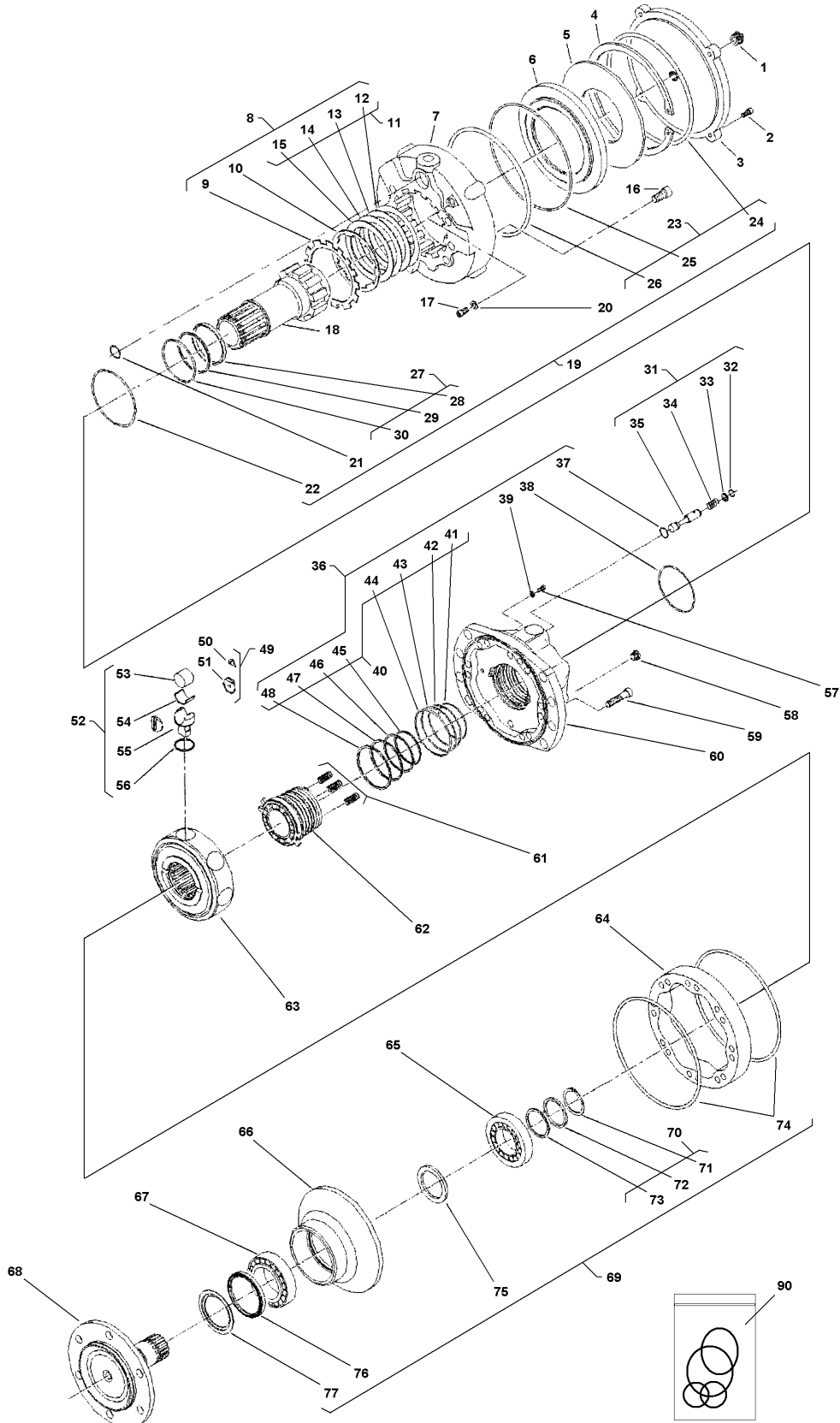


4812112198 Hydraulic motor

Item	Part No	Rem	Qty	Description	Code
	4812112198		1	Hydraulic motor (Page 96)	
1			1	. Valve poppet	
2			4	. Screw	
3			1	. Blanking plate	
4			1	. Snap ring	
5			1	. Spring washer	
6			1	. Piston (brake)	
7			1	. Brake housing	
8	4812158391		1	. Brake disc & shim kit	
9			32	.. Brake disc	
10			33	.. Brake disc	
11			1	.. Shim assy	
12			1	... Shim	
13			1	... Shim	
14			1	... Shim	
15			2	... Shim	
16			10	. Screw	
17			2	. Screw	
18			1	. Brake shaft	
19	4812158390	A	1	. Multi disc brake seal kit	
20		A	2	.. Seal	
21		A	1	.. Seal	
22		A	1	.. Seal	
23		A	1	.. Seal kit	
24		A	1	... Seal	
25		A	1	... Seal	
26		A	1	... Seal	
27		A	1	.. Shaft seal kit	
28		A	1	... Brake bushing	
29		A	1	... Seal	
30		A	1	... Seal support	
31	4812158393		1	. Spool valve kit	
32			1	.. Snap ring	
33			1	.. Washer	
34			1	.. Spring	
35			1	.. Spool	
36	4812158392		1	. Motor valve seal kit	
37		A	2	.. Seal	
38		A	1	.. Seal	
39		A	2	.. Seal	
40		A	1	.. Seal kit	
41		A	1	... Seal	
42		A	1	... Seal	
43		A	1	... Seal	
44		A	1	... Seal	
45		A	1	... Seal support	
46		A	1	... Seal support	
47		A	1	... Seal support	
48		A	1	... Seal support	
49			1	. Cylinder block kit	
50			10	.. Clip	
51			20	.. Half moon disc	
52			10	. Piston kit	
53			1	.. Roller	
54			1	.. Piston bushing	
55			1	.. Piston	
56			1	.. Piston seal	
57			1	. Screw	
58			1	. Metallic plug	

A) Included in seal kit item 90

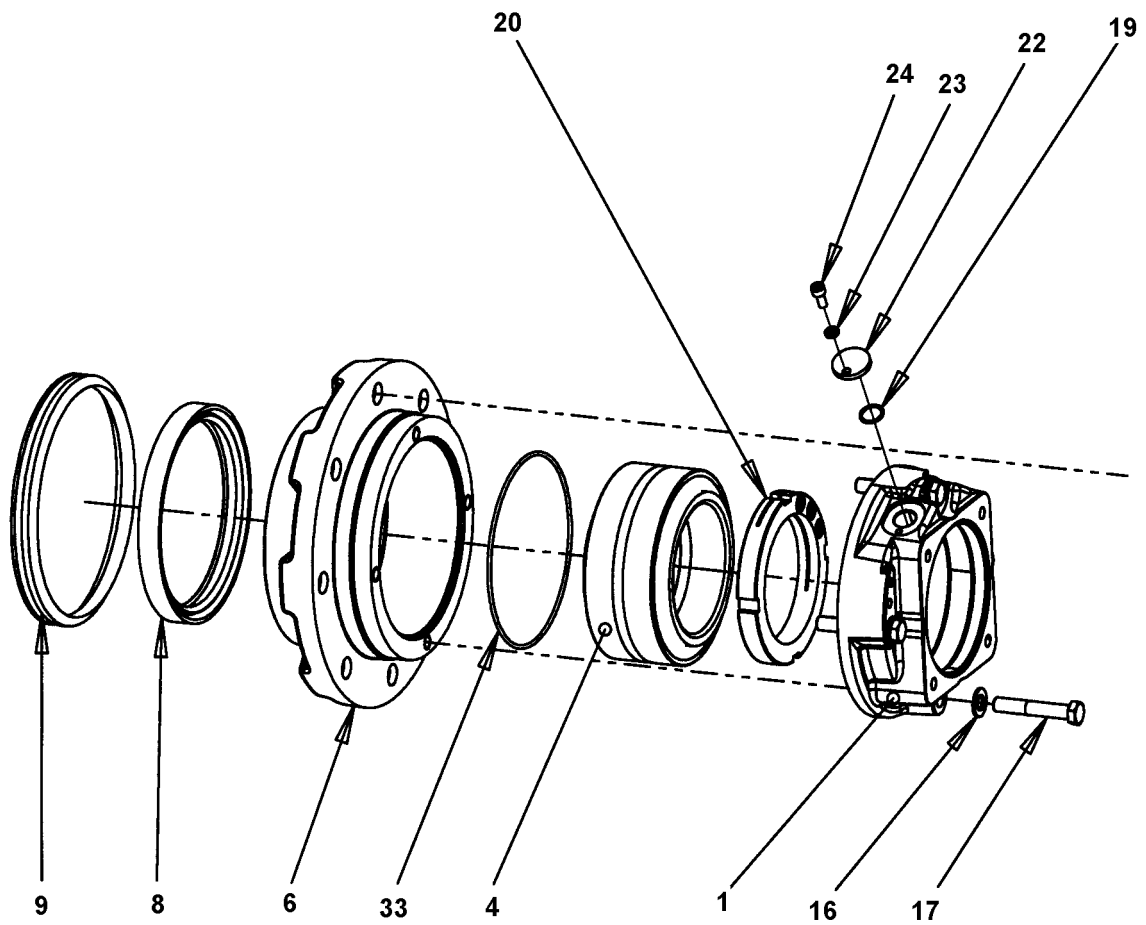
4812112198 Hydraulic motor



4812112198 Hydraulic motor

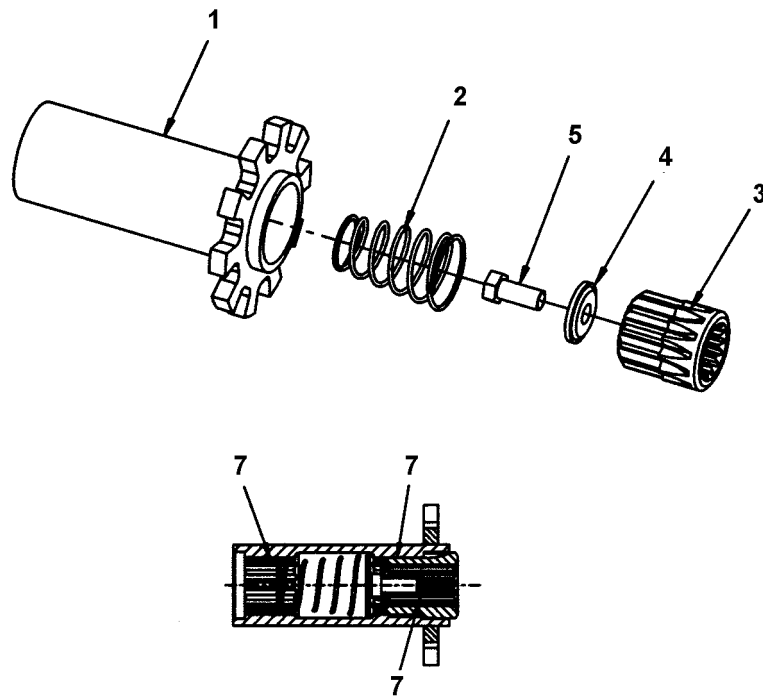
Item	Part No	Rem	Qty	Description	Code
59			16	. Screw	
60			1	. Cover plate	
61			1	. Spring kit	
62			1	. Control plate	
63			1	. Cylinder block	
64			1	. Cam	
65	4812158388		1	. Roller bearing	
66			1	. Bearing support	
67	4812158387		1	. Roller bearing	
68			1	. Motor shaft	
69	4812158389		1	. Bearing house seal kit	
70			1	. . Roller bearing kit	
71			1	. . . Snap ring	
72			1	. . . Guide ring	
73			1	. . . Shim	
74		A	2	. . Seal	
75		A	1	. . Seal	
76		A	1	. . Seal	
77		A	1	. . Deflector	
90	4812158394		1	. Seal kit, cpl	

A) Included in seal kit item 90



Vibration motor adapter

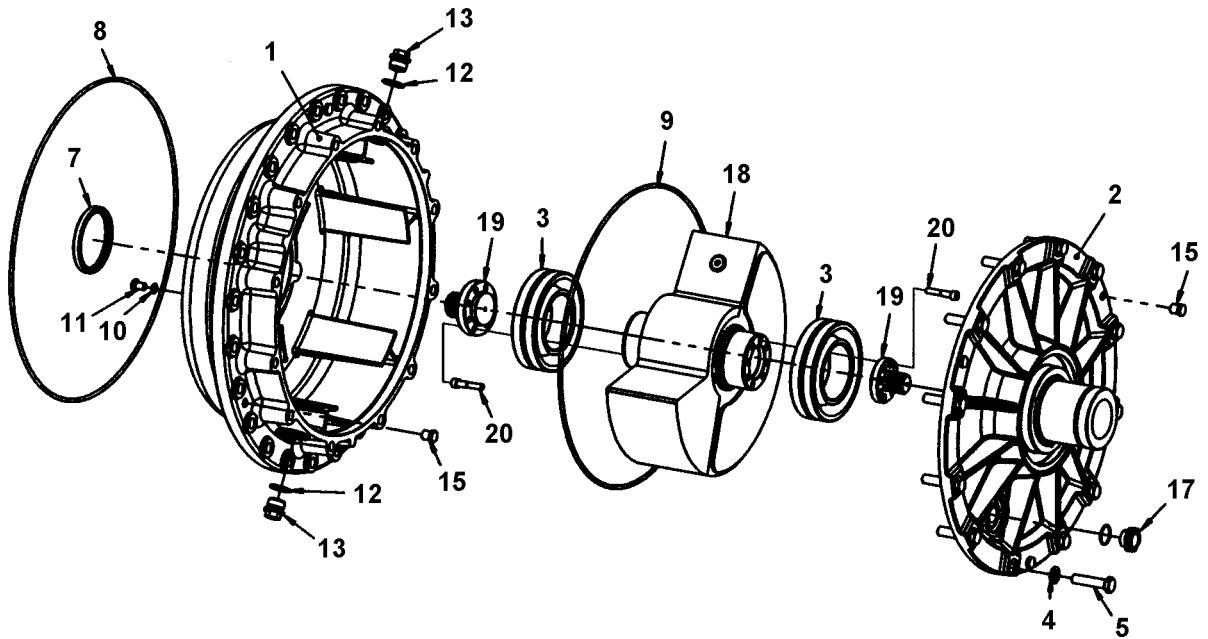
Item	Part No	Rem Qty	Description	Code
1	4812116023	1	Adapter	C
4	4700116041	1	Taper roller bearing	B
6	4700343318	1	Bearing housing	D
8	4700167023	1	Seal ring	B
9	4700929447	1	V-ring	B
16	4700904231	4	Washer 13x24x2 300 HV	C
17	4700500133	4	Screw	C
19	4812113903	1	O-ring	B
20	4812112413	1	Shaft nut	C
22	4812113476	1	Plug	C
23	4700904228	1	Washer 6,4x12x1,5	C
24	4700903795	1	Screw	C
33	4700160105	1	O-ring 70	C



Tooth wheel module

Item	Part No	Rem Qty	Description	Code
1	4812114223	1	Wheel	D
2	4700349715	1	Spring	D
3	4700340863	1	Splined sleeve	D
4	4812113832	1	Washer	
5	4700502053	1	Screw	D
7	4812030096	N	Dynapac Roller Grease	A

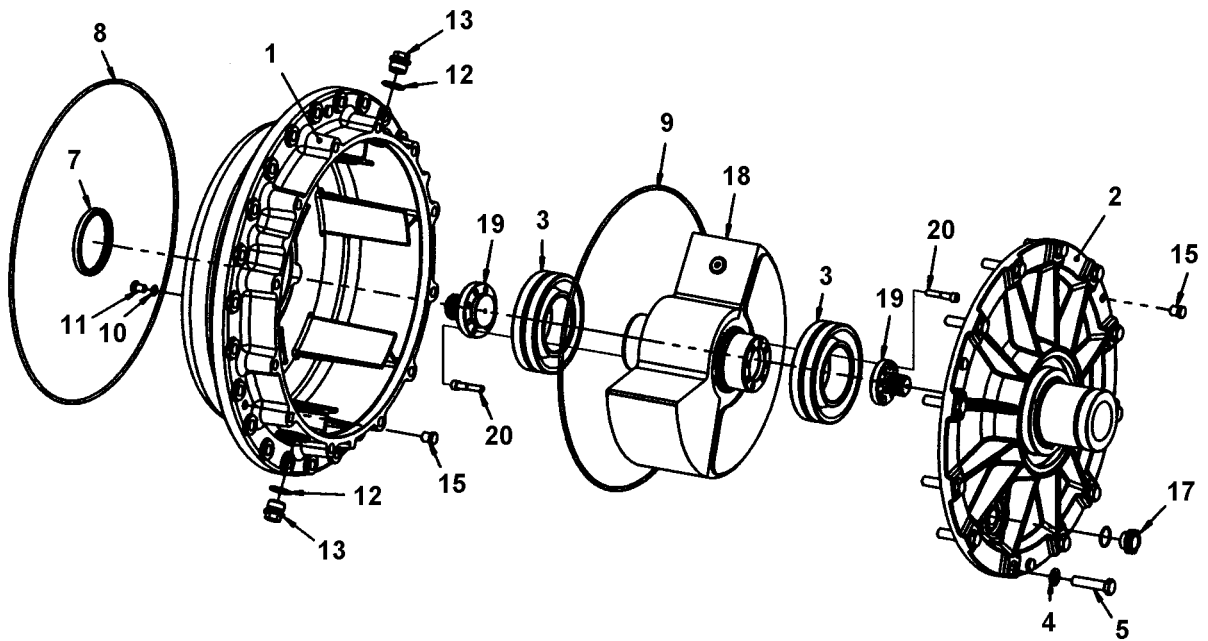
4812158090 Drum cartridge, vibration side (PD version)



4812158090 Drum cartridge, vibration side (PD version)

Item	Part No	Rem Qty	Description	Code
1	4812112784	1	Housing	D
2	4812112455	1	Bearing housing	D
3	4700390896	2	Spherical roller bearing	B
4	4700904232	12	Washer	C
5	4700500082	12	Screw M16x70 8,8	D
7	4700900782	1	Seal ring	D
8	4700900776	1	O-ring	D
9	4700900776	1	O-ring	D
10	4700162027	3	Sealing	B
11	4700500163	3	Screw M12x16	D
12	4700162017	2	Seal ring	B
13	4700343744	1	Magnetic plug	C
15	4700900775	6	Plug	C
17	4700922552	1	Oil level glass	B
18	4812114274	1	Eccentric shaft	D
19	4700380018	2	Splined shaft	D
20	4700791156	16	Screw M10-1,5x55 12,9	D

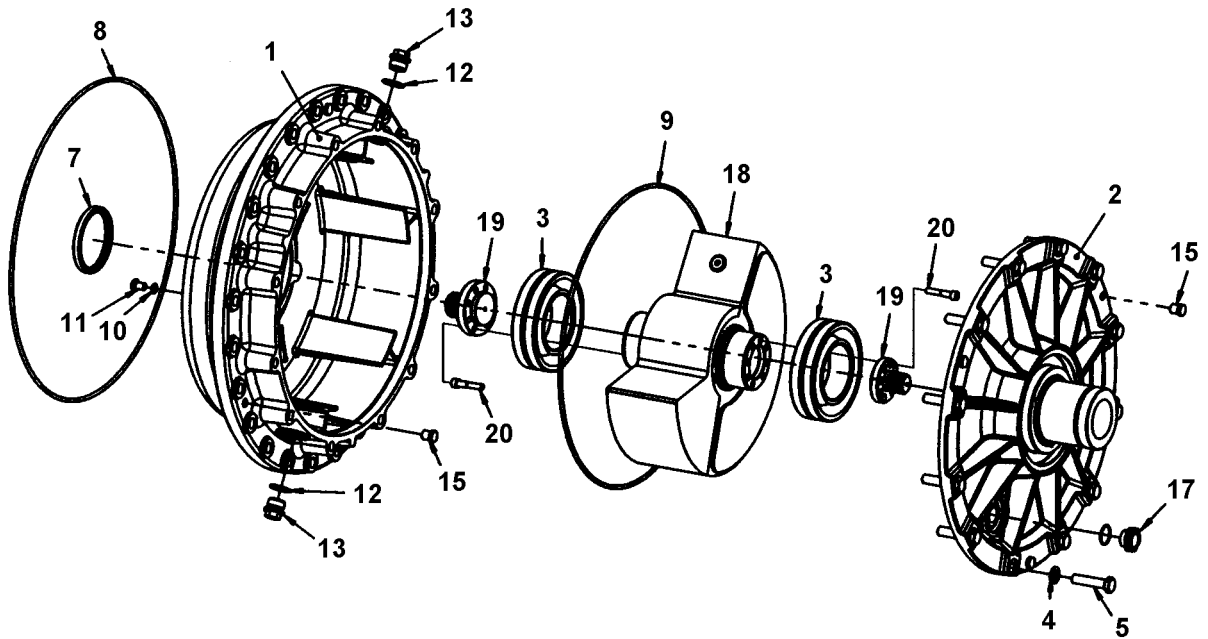
4812158091 Drum cartridge, vibration side (D version)



4812158091 Drum cartridge, vibration side (D version)

Item	Part No	Rem Qty	Description	Code
1	4812112784	1	Housing	D
2	4812112455	1	Bearing housing	D
3	4700390896	2	Spherical roller bearing	B
4	4700904232	12	Washer	C
5	4700500082	12	Screw M16x70 8,8	D
7	4700900782	1	Seal ring	D
8	4700900776	1	O-ring	D
9	4700900776	1	O-ring	D
10	4700162027	3	Sealing	B
11	4700500163	3	Screw M12x16	D
12	4700162017	2	Seal ring	B
13	4700343744	1	Magnetic plug	C
15	4700900775	6	Plug	C
17	4700922552	1	Oil level glass	B
18	4812112747	1	Eccentric shaft	
19	4700380018	2	Splined shaft	D
20	4700791156	16	Screw M10-1,5x55 12,9	D

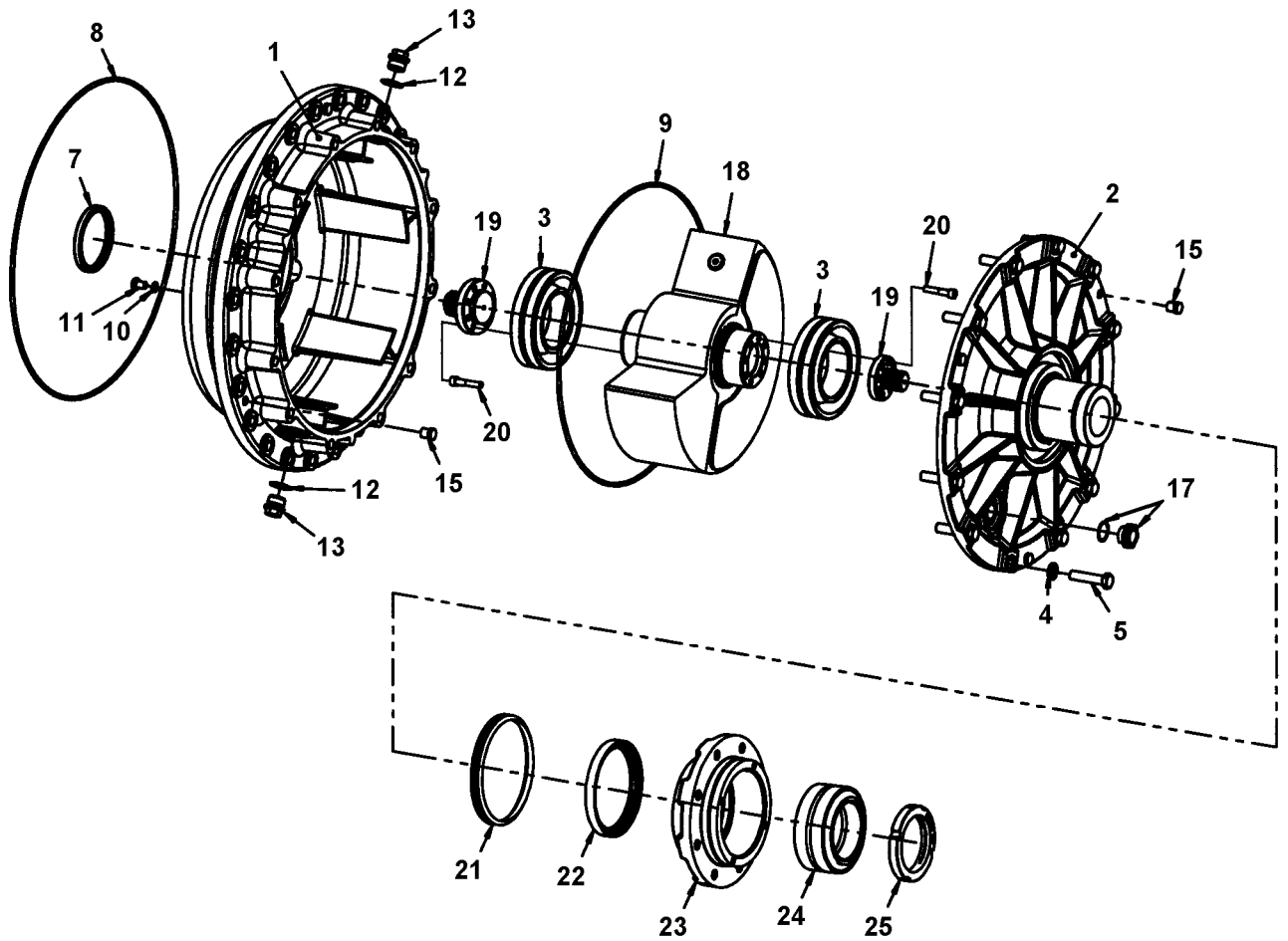
4812158093 Drum cartridge, vibration side (PD, comp. data high)



4812158093 Drum cartridge, vibration side (PD, comp. data high)

Item	Part No	Rem Qty	Description	Code
1	4812112784	1	Housing	D
2	4812112455	1	Bearing housing	D
3	4700390896	2	Spherical roller bearing	B
4	4700904232	12	Washer	C
5	4700500082	12	Screw M16x70 8,8	D
7	4700900782	1	Seal ring	D
8	4700900776	1	O-ring	D
9	4700900776	1	O-ring	D
10	4700162027	3	Sealing	B
11	4700500163	3	Screw M12x16	D
12	4700162017	2	Seal ring	B
13	4700343744	1	Magnetic plug	C
15	4700900775	6	Plug	C
17	4700922552	1	Oil level glass	B
18	4812114329	1	Eccentric shaft	D
19	4700380018	2	Splined shaft	D
20	4700791156	16	Screw M10-1,5x55 12,9	D

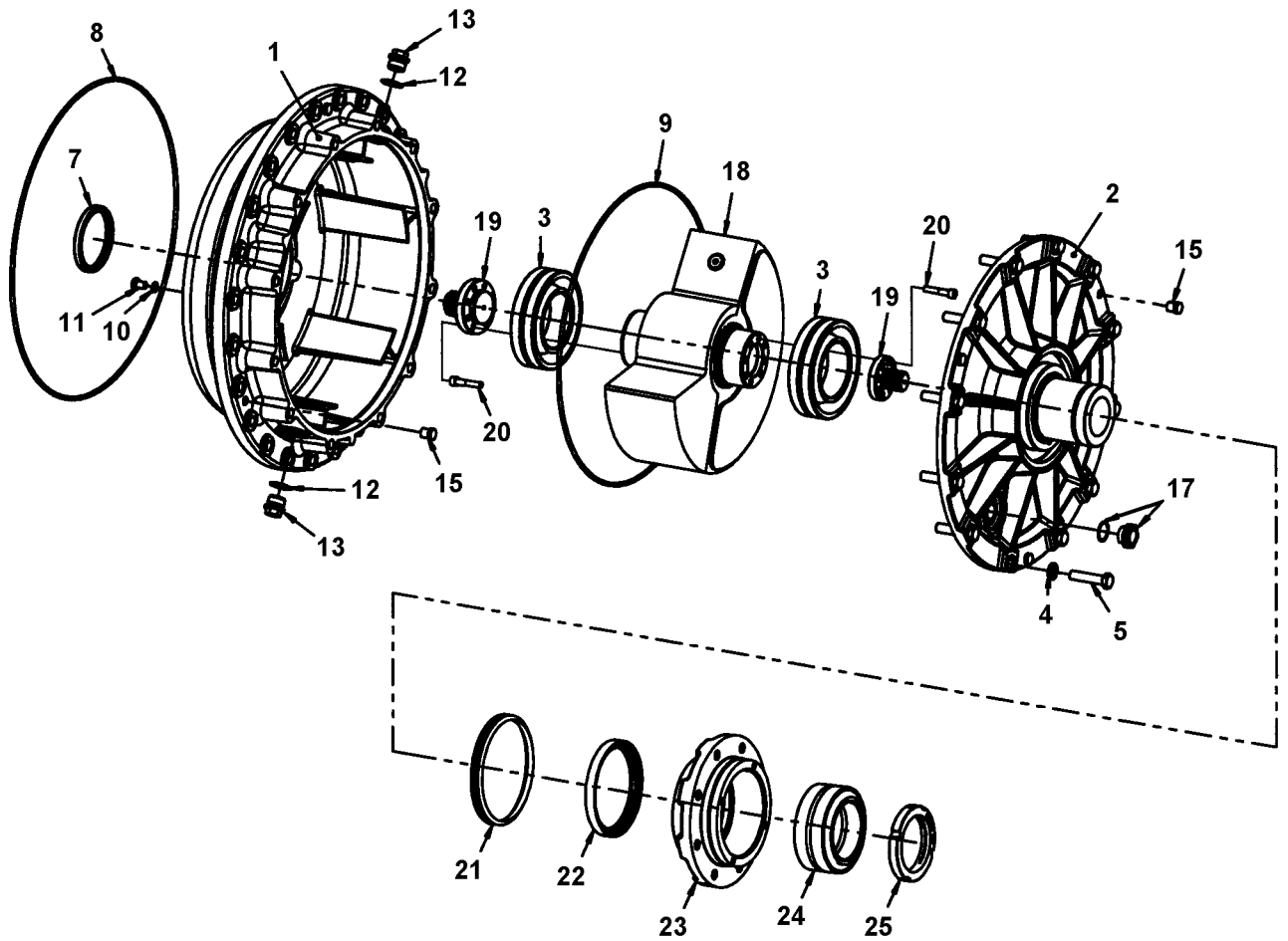
4812158095 Drum cartridge with shaft nut, vibration side (PD version)



4812158095 Drum cartridge with shaft nut, vibration side (PD version)

Item	Part No	Rem Qty	Description	Code
1	4812112784	1	Housing	D
2	4812112455	1	Bearing housing	D
3	4700390896	2	Spherical roller bearing	B
4	4700904232	12	Washer	C
5	4700500082	12	Screw M16x70 8,8	D
7	4700900782	1	Seal ring	D
8	4700900776	1	O-ring	D
9	4700900776	1	O-ring	D
10	4700162027	3	Sealing	B
11	4700500163	3	Screw M12x16	D
12	4700162017	2	Seal ring	B
13	4700343744	1	Magnetic plug	C
15	4700900775	6	Plug	C
17	4700922552	1	Oil level glass	B
18	4812114274	1	Eccentric shaft	D
19	4700380018	2	Splined shaft	D
20	4700791156	16	Screw M10-1,5x55 12,9	D
21	4700929447	1	V-ring	B
22	4700167023	1	Seal ring	B
23	4700343318	1	Bearing housing	D
24	4700116041	1	Taper roller bearing	B
25	4812112413	1	Shaft nut	C

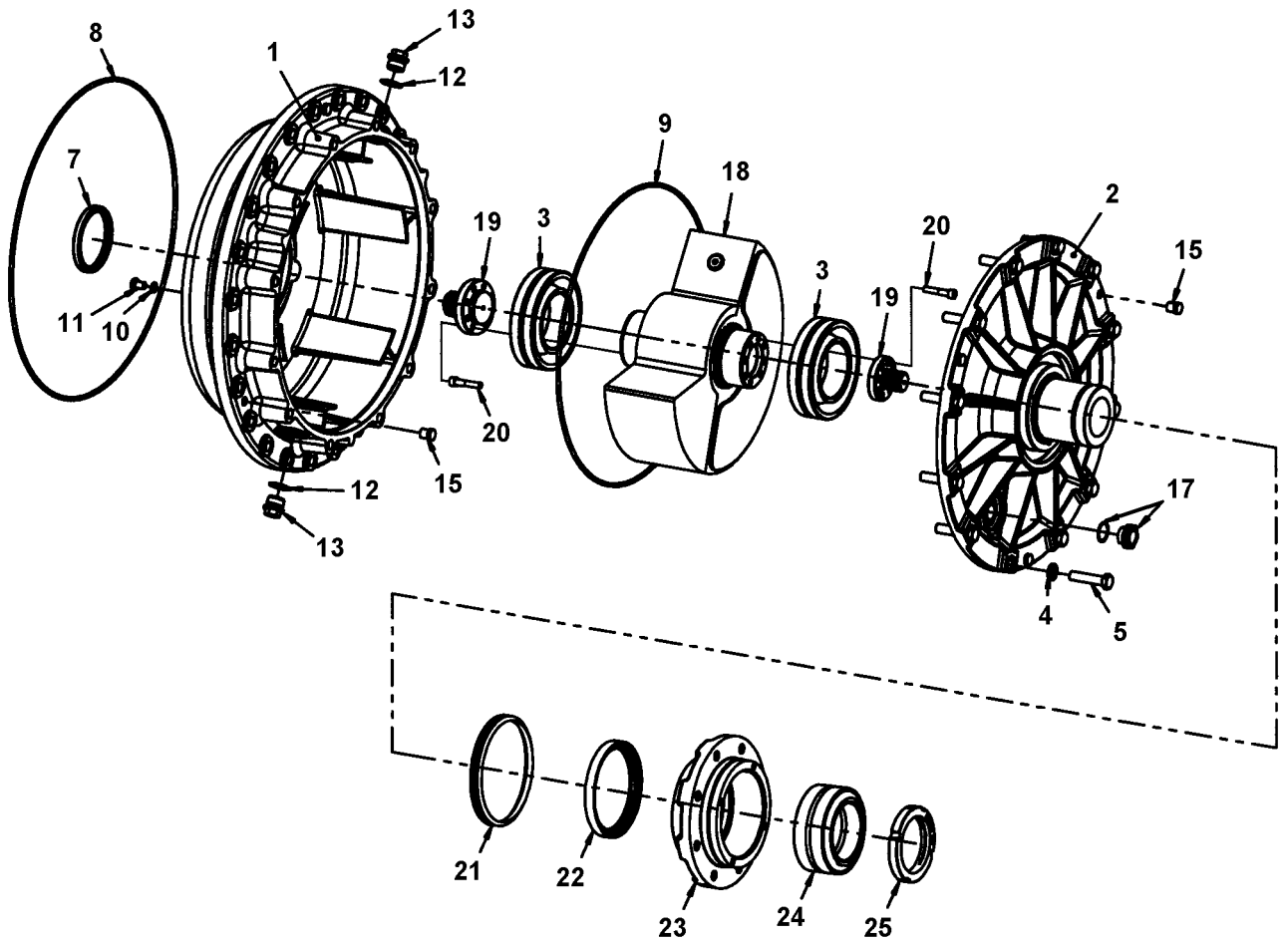
4812158096 Drum cartridge with shaft nut, vibration side (D version)



4812158096 Drum cartridge with shaft nut, vibration side (D version)

Item	Part No	Rem Qty	Description	Code
1	4812112784	1	Housing	D
2	4812112455	1	Bearing housing	D
3	4700390896	2	Spherical roller bearing	B
4	4700904232	12	Washer	C
5	4700500082	12	Screw M16x70 8,8	D
7	4700900782	1	Seal ring	D
8	4700900776	1	O-ring	D
9	4700900776	1	O-ring	D
10	4700162027	3	Sealing	B
11	4700500163	3	Screw M12x16	D
12	4700162017	2	Seal ring	B
13	4700343744	1	Magnetic plug	C
15	4700900775	6	Plug	C
17	4700922552	1	Oil level glass	B
18	4812112747	1	Eccentric shaft	
19	4700380018	2	Splined shaft	D
20	4700791156	16	Screw M10-1,5x55 12,9	D
21	4700929447	1	V-ring	B
22	4700167023	1	Seal ring	B
23	4700343318	1	Bearing housing	D
24	4700116041	1	Taper roller bearing	B
25	4812112413	1	Shaft nut	C

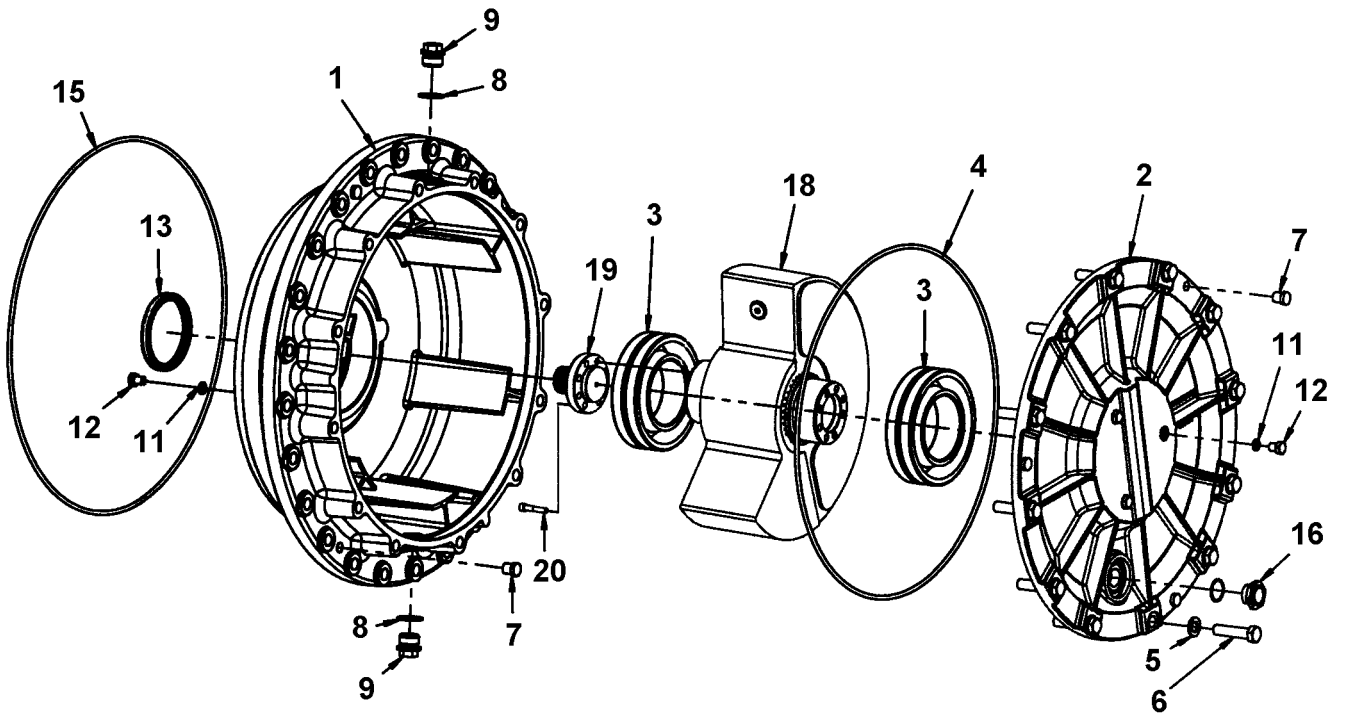
4812158098 Drum cartridge with shaft nut, vibration side (PD, comp. data high)



4812158098 Drum cartridge with shaft nut, vibration side (PD, comp. data high)

Item	Part No	Rem Qty	Description	Code
1	4812112784	1	Housing	D
2	4812112455	1	Bearing housing	D
3	4700390896	2	Spherical roller bearing	B
4	4700904232	12	Washer	C
5	4700500082	12	Screw M16x70 8,8	D
7	4700900782	1	Seal ring	D
8	4700900776	1	O-ring	D
9	4700900776	1	O-ring	D
10	4700162027	3	Sealing	B
11	4700500163	3	Screw M12x16	D
12	4700162017	2	Seal ring	B
13	4700343744	1	Magnetic plug	C
15	4700900775	6	Plug	C
17	4700922552	1	Oil level glass	B
18	4812114329	1	Eccentric shaft	D
19	4700380018	2	Splined shaft	D
20	4700791156	16	Screw M10-1,5x55 12,9	D
21	4700929447	1	V-ring	B
22	4700167023	1	Seal ring	B
23	4700343318	1	Bearing housing	D
24	4700116041	1	Taper roller bearing	B
25	4812112413	1	Shaft nut	C

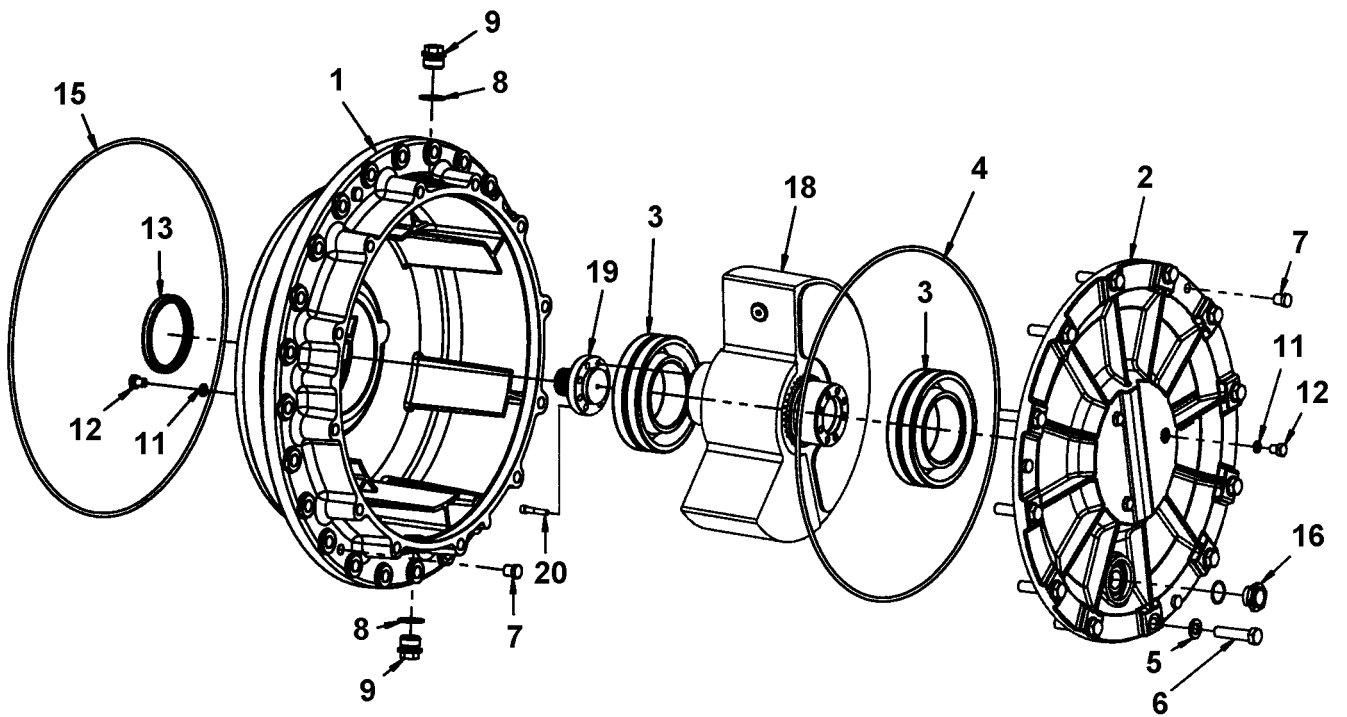
4812158085 Drum cartridge, drive side (PD version)



4812158085 Drum cartridge, drive side (PD version)

Item	Part No	Rem Qty	Description	Code
1	4812112784	1	Housing	D
2	4812111122	1	Bearing housing	D
3	4700390896	2	Spherical roller bearing	B
4	4700900776	1	O-ring	D
5	4700904232	12	Washer	C
6	4700500082	12	Screw M16x70 8,8	D
7	4700900775	6	Plug	C
8	4700162017	2	Seal ring	B
9	4700343744	2	Magnetic plug	C
11	4700162027	6	Sealing	B
12	4700500163	6	Screw M12x16	D
13	4700900782	1	Seal ring	D
15	4700900776	1	O-ring	D
16	4700922552	1	Oil level glass	B
18	4812114274	1	Eccentric shaft	D
19	4700380018	1	Splined shaft	D
20	4700791156	8	Screw M10-1,5x55 12,9	D

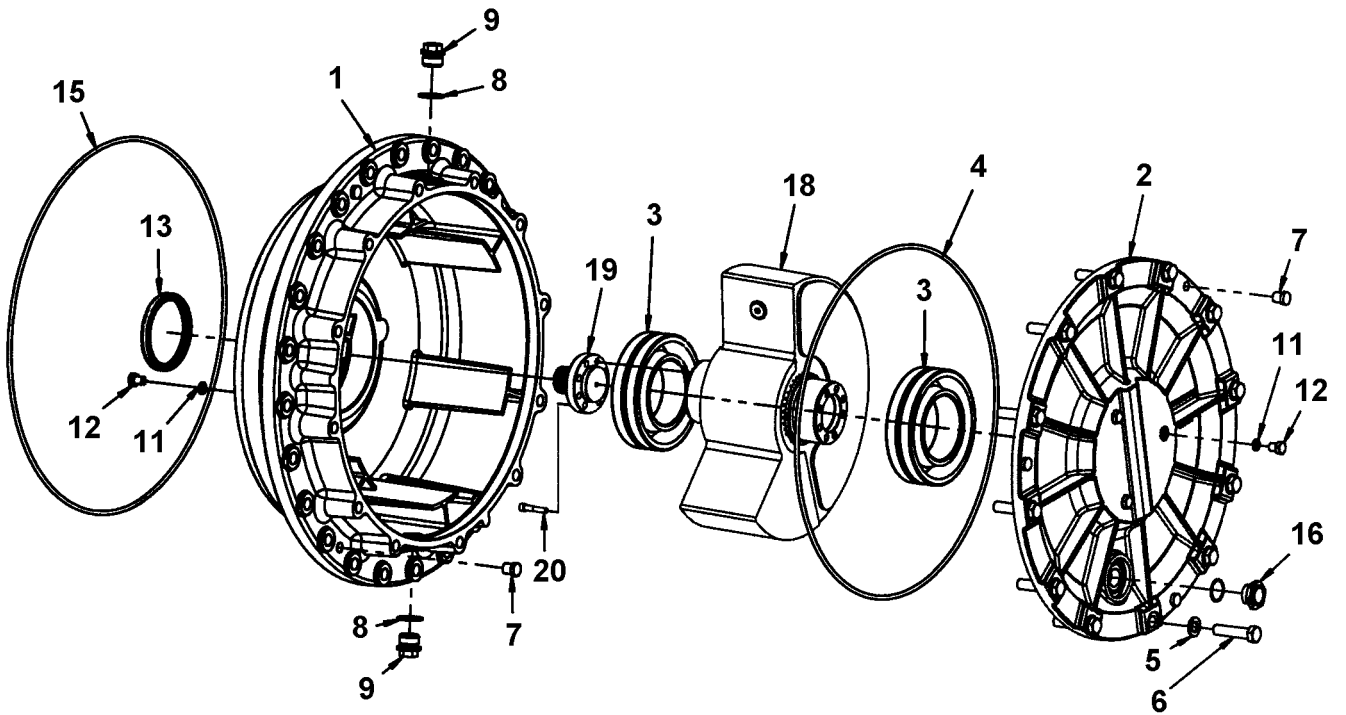
4812158086 Drum cartridge, drive side (D version)



4812158086 Drum cartridge, drive side (D version)

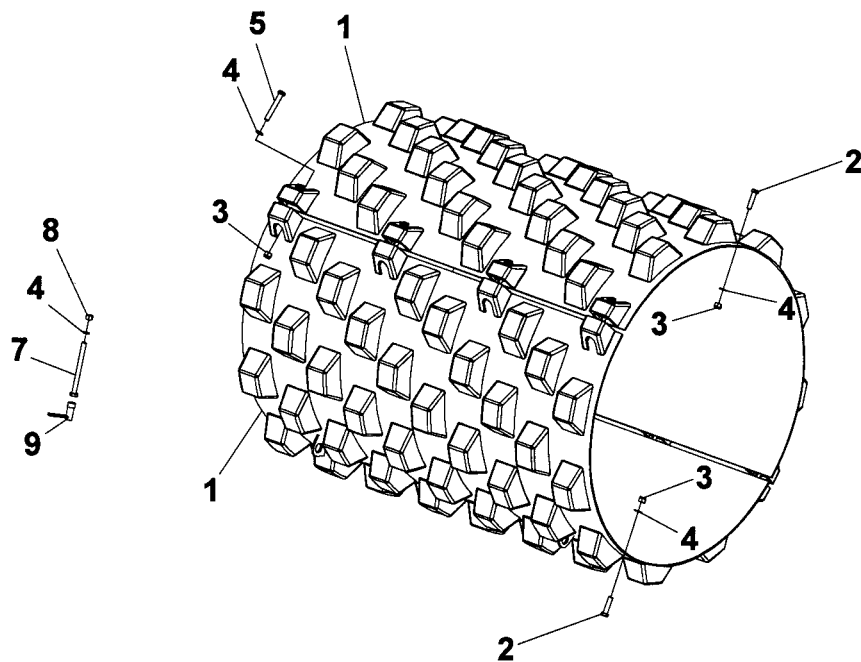
Item	Part No	Rem Qty	Description	Code
1	4812112784	1	Housing	D
2	4812111122	1	Bearing housing	D
3	4700390896	2	Spherical roller bearing	B
4	4700900776	1	O-ring	D
5	4700904232	12	Washer	C
6	4700500082	12	Screw M16x70 8,8	D
7	4700900775	6	Plug	C
8	4700162017	2	Seal ring	B
9	4700343744	2	Magnetic plug	C
11	4700162027	6	Sealing	B
12	4700500163	6	Screw M12x16	D
13	4700900782	1	Seal ring	D
15	4700900776	1	O-ring	D
16	4700922552	1	Oil level glass	B
18	4812112747	1	Eccentric shaft	
19	4700380018	1	Splined shaft	D
20	4700791156	8	Screw M10-1,5x55 12,9	D

4812158088 Drum cartridge, drive side (PD, comp. data high)



4812158088 Drum cartridge, drive side (PD, comp. data high)

Item	Part No	Rem Qty	Description	Code
1	4812112784	1	Housing	D
2	4812111122	1	Bearing housing	D
3	4700390896	2	Spherical roller bearing	B
4	4700900776	1	O-ring	D
5	4700904232	12	Washer	C
6	4700500082	12	Screw M16x70 8,8	D
7	4700900775	6	Plug	C
8	4700162017	2	Seal ring	B
9	4700343744	2	Magnetic plug	C
11	4700162027	6	Sealing	B
12	4700500163	6	Screw M12x16	D
13	4700900782	1	Seal ring	D
15	4700900776	1	O-ring	D
16	4700922552	1	Oil level glass	B
18	4812114329	1	Eccentric shaft	D
19	4700380018	1	Splined shaft	D
20	4700791156	8	Screw M10-1,5x55 12,9	D

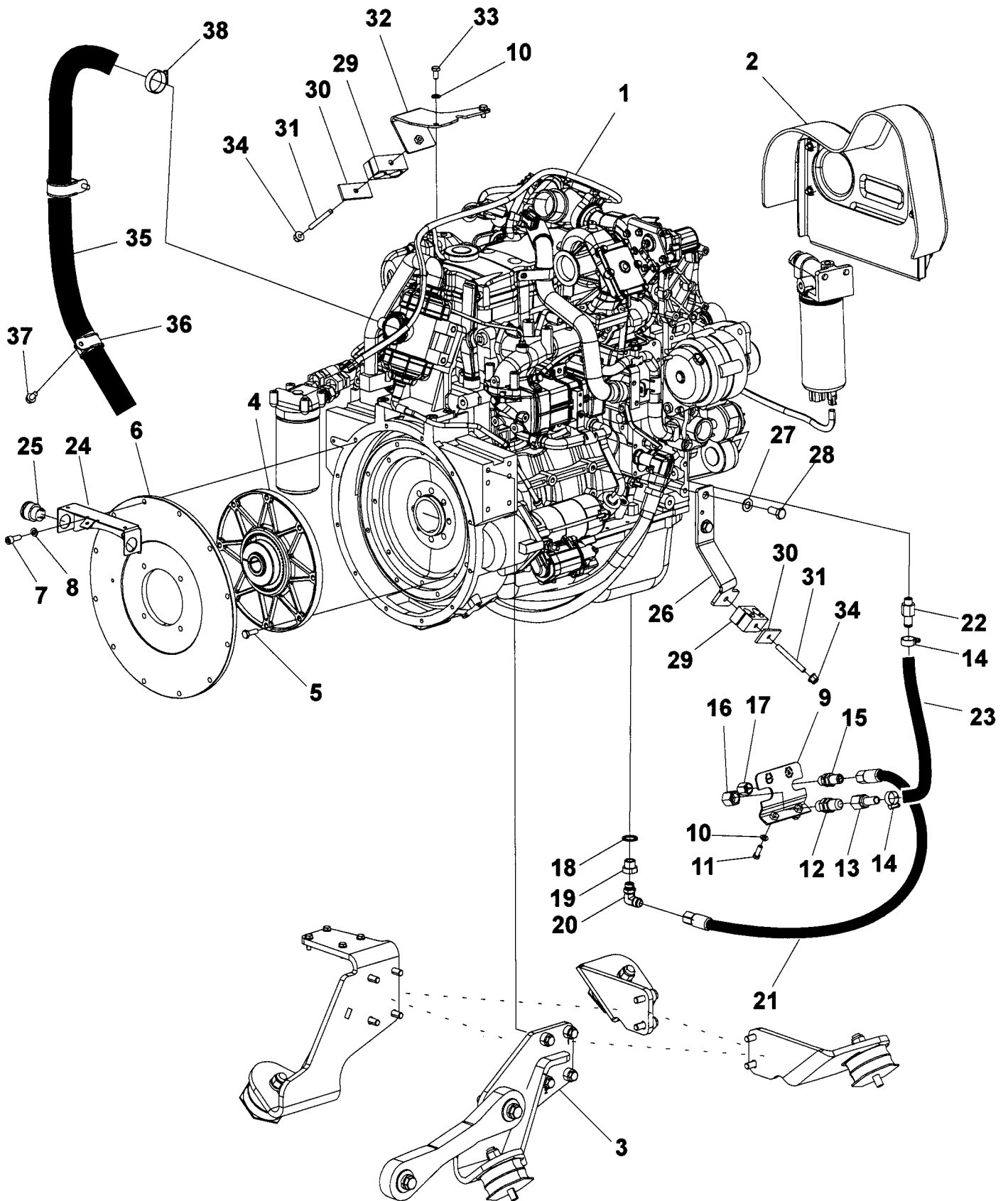


Pad shell, option

Item	Part No	Rem Qty	Description	Code
1	4812114382	2	Pad shell	
2	4700500207	4	Hexagon head screw	D
3	4700586022	12	Lock nut M20-8	C
4	4700904233	12	Washer 21x36x3	C
5	4700500286	8	Screw M20-2,5x140 8.8	D
7	4700382572	4	Mounting screw	D
8	4700570015	4	Nut M20	
9	4700382571	1	Hexagon sleeve	D

Engine

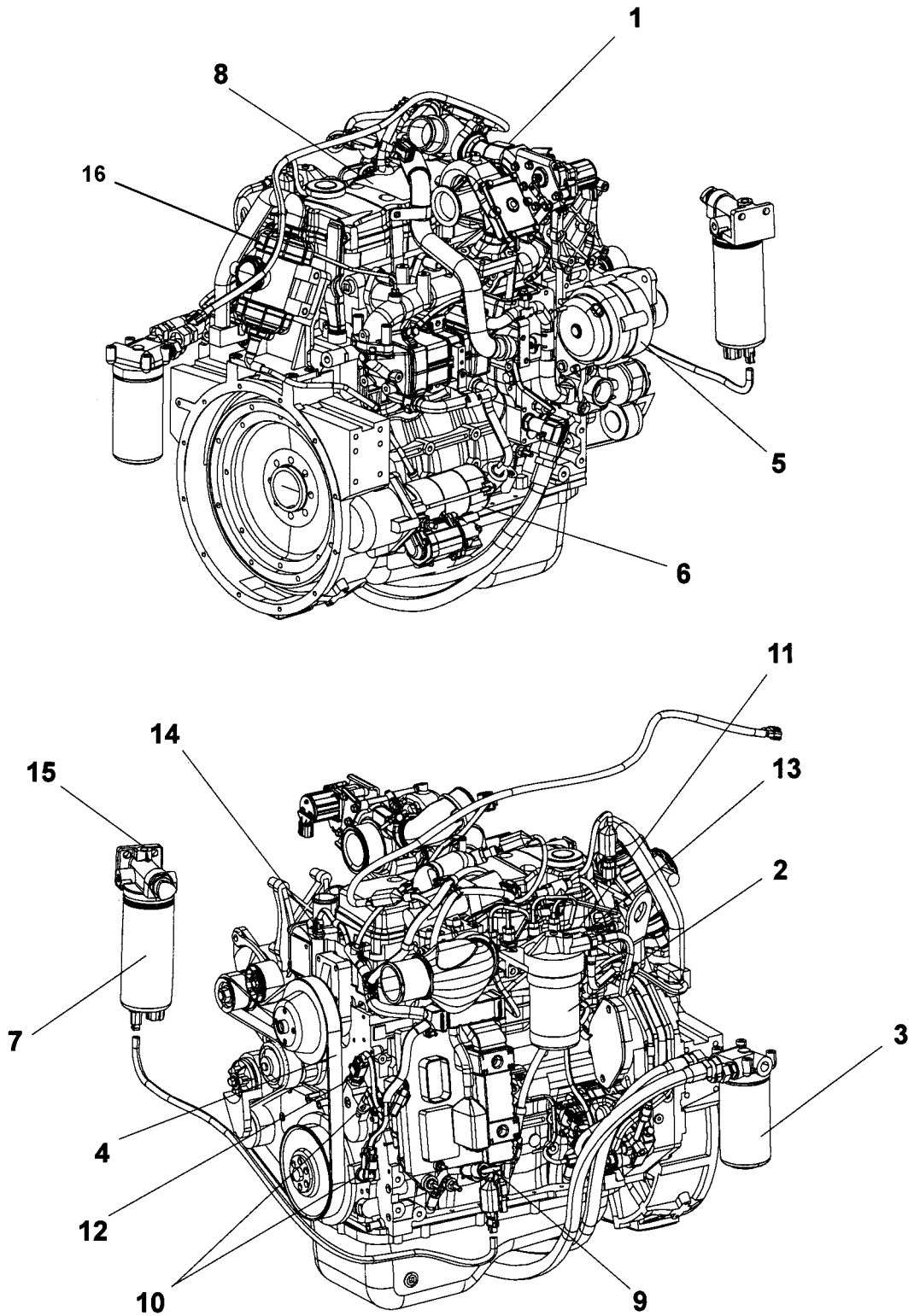
Item	Part No	Rem Qty	Description	Code
1		1	Engine (Page 126)	
2		1	Cooling system (Page 134)	
3		1	Air cleaner (Page 140)	
4		1	Fuel system (Page 144)	
5		1	Exhaust system (Page 156)	
6		1	Expansion tank assembly (Page 158)	



Engine

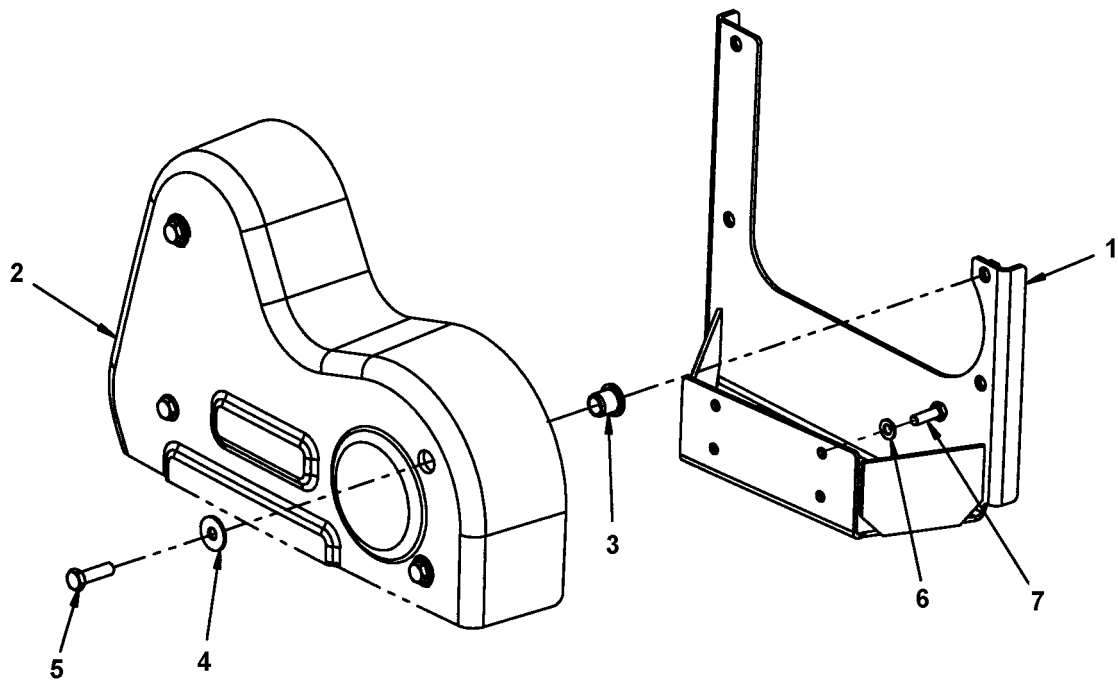
Item	Part No	Rem Qty	Description	Code
1		1	Diesel engine (Page 128)	
2		1	Belt guard module (Page 130)	
3		1	Bracket module (Page 132)	
4	4812112015	1	Coupling	D
5	4700502036	8	Screw 3/8"-16UNCx11/4"8.8	C
6	4700372772	1	Bracket	C
7	4700508096	12	Screw	C
8	4700904637	12	Washer	C
9	4812118245	1	Bracket	
10	4700904229	4	Steel plain washer 8,4x16x1,5	C
11	4700500021	2	Screw M8-1,25x25 8.8	C
12	4700230516	1	Adapter	
13	4700792502	1	Hose connection	D
14	4700313004	2	Hose clamp	D
15	4700230515	1	Connector	C
16	4700230384	1	Cap	
17	4700330383	1	Cap hydraulic	
18	4811000151	1	Washer sealing	
19	4700379480	1	Reducer	
20	4700791431	1	Elbow 90, O-ring	C
21	4811000150	1	Hydraulic hose	
22	4700391303	1	Hose connection	
23	4700205112	A 1XL	Coolant hose	D
24	4812112355	1	Holder	
25	4700395816	1	Plug socket 24V	
26	4812115857	1	Hose holder	
27	4700904231	2	Washer 13x24x2 300 HV	C
28	4700500051	2	Screw M12x25H 8.8 A3K	C
29	4700287295	2	Clamp	D
30	4700287294	2	Cover plate	
31	4700532032	2	Stud	
32	4812115858	1	Hose holder	
33	4700500019	2	Hexagon head screw M8x16H 8,8	C
34	4700902286	2	Hexagon lock nut with flange	C
35	4812118198	1	Hydraulic hose	
36	4700283711	2	Hose clamp	
37	4700901832	2	Screw	C
38	4700313007	1	Hose clamp	

A) L = 0.6m



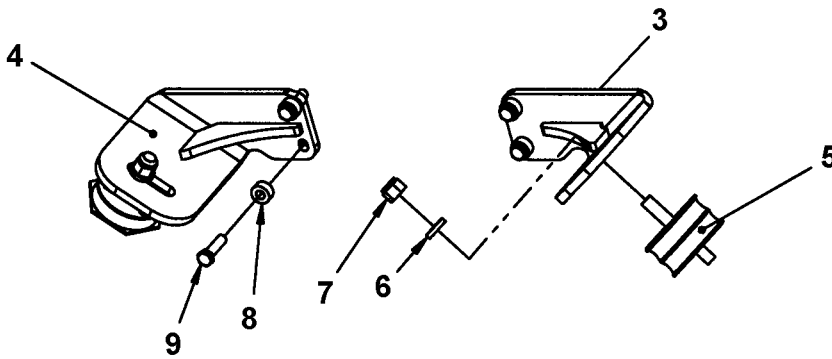
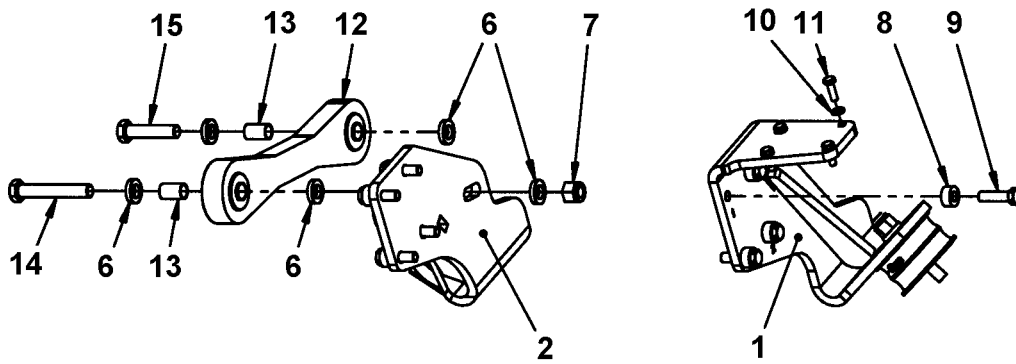
Diesel engine

Item	Part No	Rem Qty	Description	Code
1	4812113483	1	Diesel engine Cummins QSB4.5 119kW - 3B	
	4812113484	1	Diesel engine Cummins QSB4.5 97kW - 3B	
	4812113485	1	Diesel engine Cummins QSB4.5 82kW - 3B	
2	4812158187	1	. Fuel filter	
3	4700939082	1	. Oil filter element	
4	4812034895	1	. V-belt	
5	4812040815	1	. Alternator	
6	4812041536	1	. Starter	
7	4812041531	1	. Pre-fuel filter element	
8	4700945760	1	. Valve cover gasket	
9	4812158189	1	. Dipstick	
10	4812158064	2	. Sensor, Position	
11	4700950140	1	. Pressure sensor	
12	4700940533	1	. Oil pressure switch	
13	4812158065	1	. Sensor, Prs temperature	
14	4700945887	1	. Sensor, Water temp	C
15	4812158195	1	. Fuel filter head	
16	4812158465	1	. Crankcase ventilation filter	



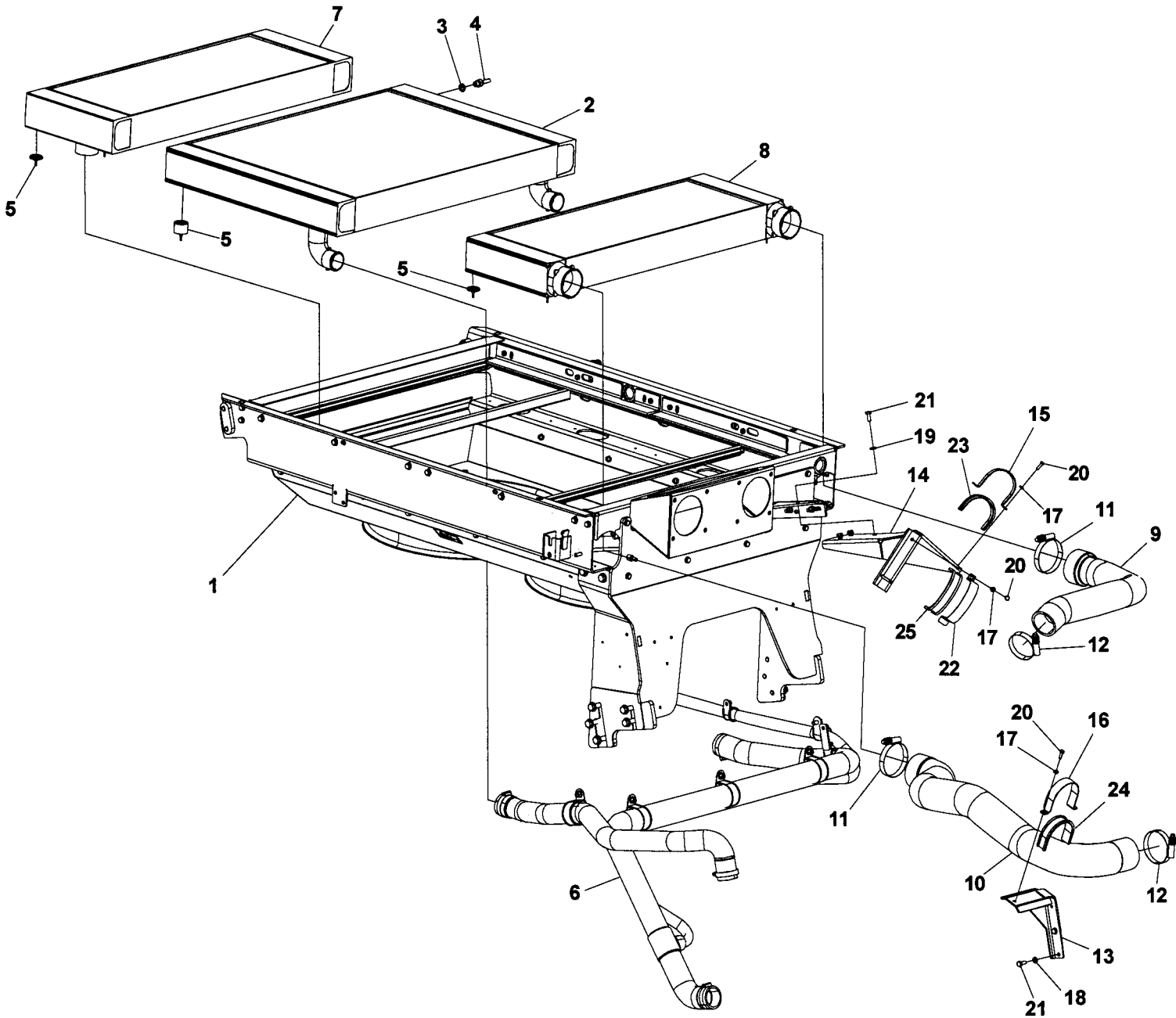
Belt guard module

Item	Part No	Rem Qty	Description	Code
1	4812117166	1	Bracket	
2	4812117165	1	Belt guard	
3	4812118203	4	Shock absorber	A
4	4700928441	4	Washer	
5	4700500030	4	Screw M10x035H 8.8 A3K	C
6	4700904229	4	Steel plain washer 8,4x16x1,5	C
7	4700500021	4	Screw M8-1,25x25 8.8	C



Bracket module

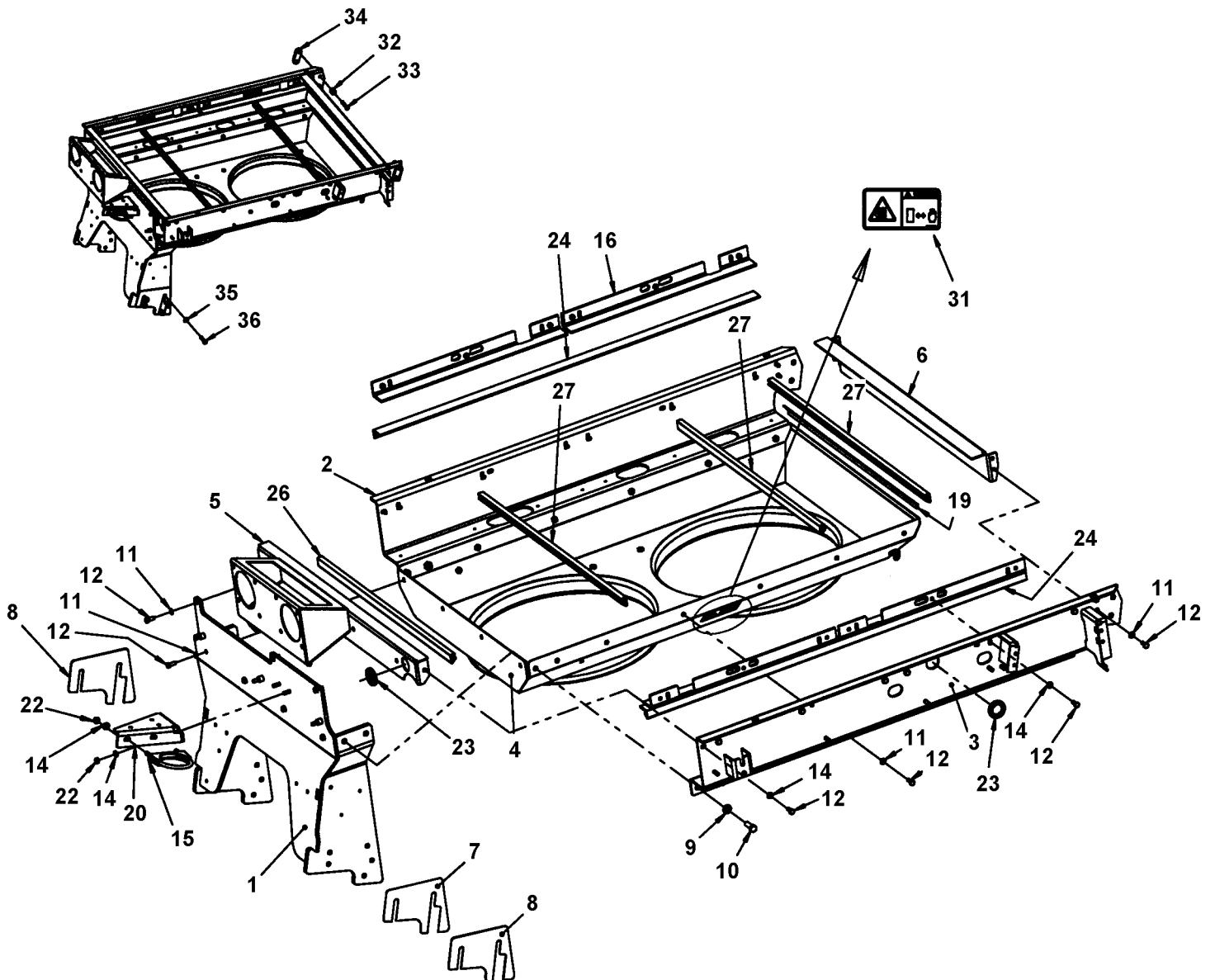
Item	Part No	Rem Qty	Description	Code
1	4812114230	1	Bracket	
2	4812118338	1	Bracket	
3	4812114232	1	Bracket	
4	4812114233	1	Bracket	
5	4812114396	4	Shock absorber	
6	4700904558	9	Washer 17X30X6 300HV	C
7	4700586021	5	Nut M16	
8	4700359989	12	Spacer sleeve	D
9	4700500056	12	Screw	
10	4700904229	4	Steel plain washer 8,4x16x1,5	C
11	4700500021	4	Screw M8-1,25x25 8.8	C
12	4812118287	1	Strut	
13	4812118432	2	Spacer sleeve	
14	4700500107	1	Screw M16x100	D
15	4700500082	1	Screw M16x70 8,8	D



Cooling system

Item	Part No	Rem	Qty	Description	Code
1			1	Cooler stand module (Page 136)	
2	4812114284		1	Water cooler	
3	4700162004		1	Sealing	B
4	4700792322		1	Hose connection	C
5	4812114280		14	Shock absorber	
6			1	Hose assy kit (Page 138)	
7	4812110772		1	Hydraulic oil cooler	D
8	4812110770		1	Charge air cooler	D
9	4812115547		1	Charge air hose	
10	4812115548		1	Charge air hose	
11	4700392810		2	Hose clamp	D
12	4700386966		2	Hose clamp 2.3/4"-3.5/8"	B
13	4812115544		1	Bracket	
14	4812115549		1	Bracket	
15	4812118127		1	Clamp	
16	4812118128		1	Clamp	
17	4700603010		3	Washer 6,4X12X3	C
18	4700904229		2	Steel plain washer 8,4x16x1,5	C
19	4700904556		3	Washer 8,4x16x3,0	C
20	4700500040		3	Screw M6-1x20 8,8	C
21	4700500053		5	Screw M8x20H 8.8	C
22	4812117742		1	Clamp	
23	4812117602	A	1XL	Rubber strip	
24	4812117602	B	1XL	Rubber strip	
25	4812117602	C	1XL	Rubber strip	

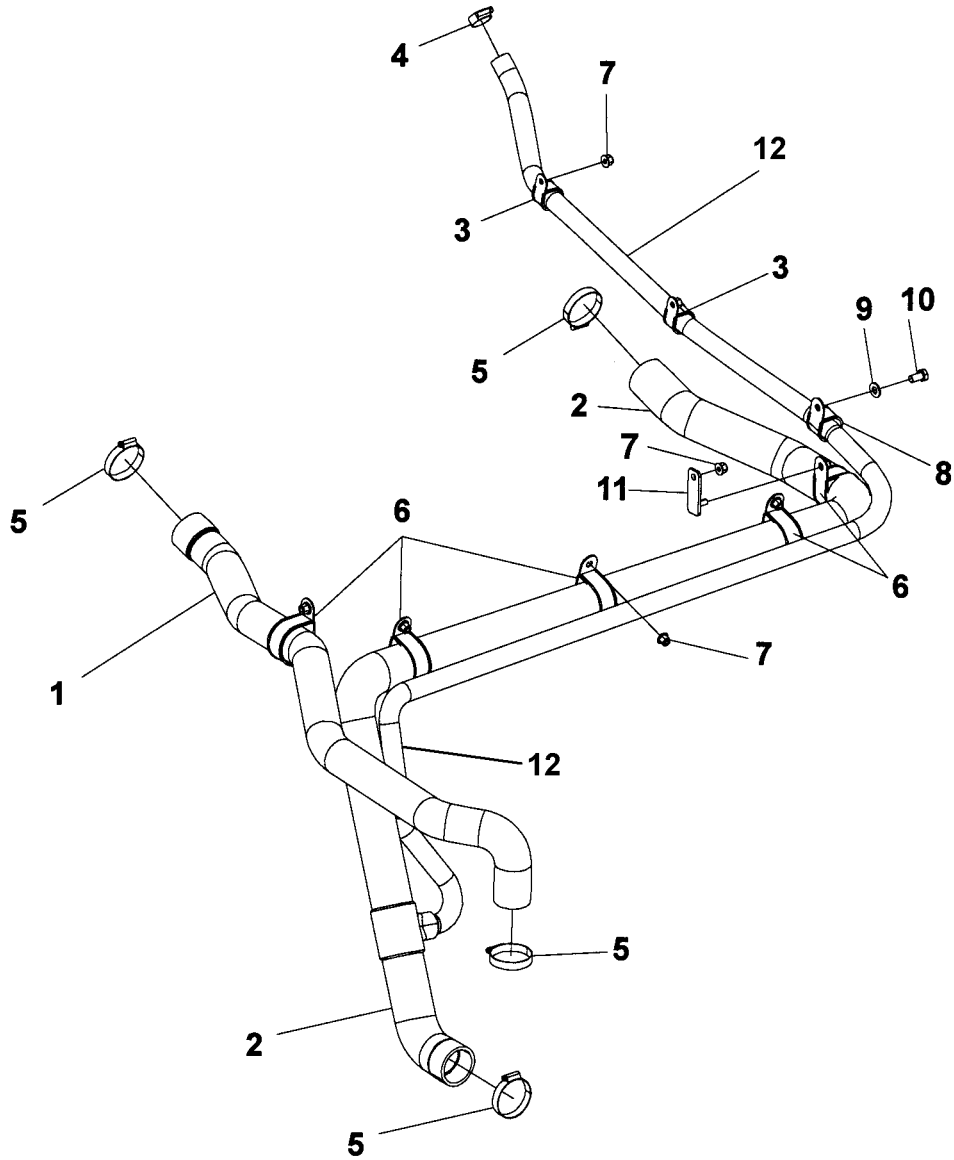
- A) L = 0.18m
- B) L = 0.21m
- C) L = 0.27m



Cooler stand module

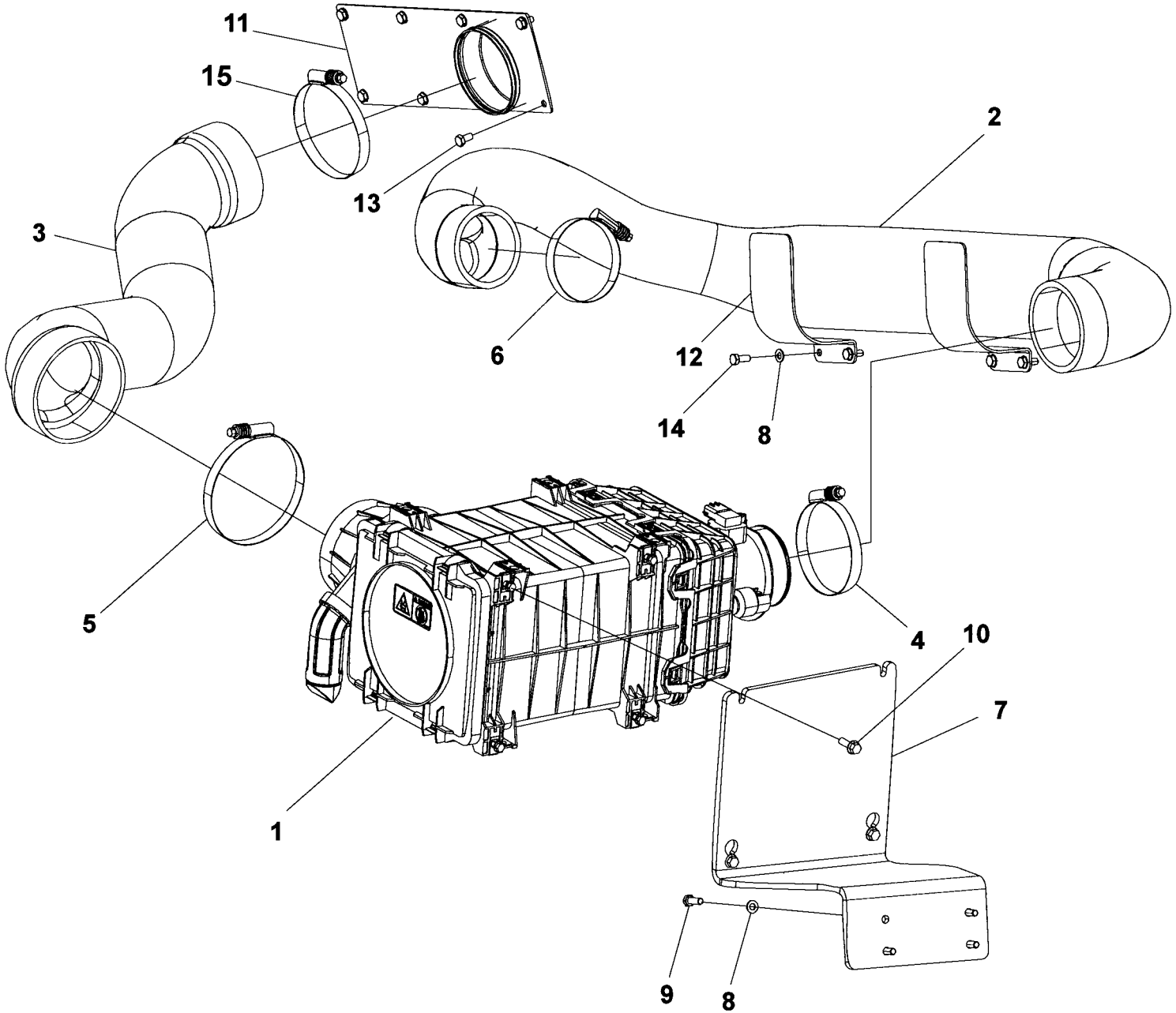
Item	Part No	Rem	Qty	Description	Code
1	4812113650		1	Cooler stand	D
2	4812110768		1	Bracket	D
3	4812110769		1	Bracket	D
4	4812110843		1	Fan casing	D
5	4812113572		1	Air intake frame	D
6	4812111264		1	Cover plate	D
7	4812113878		N	Shim	D
8	4812113879		N	Shim	D
9	4700904231		4	Washer 13x24x2 300 HV	C
10	4700500037		4	Hexagon screw	C
11	4700904229		21	Steel plain washer 8,4x16x1,5	C
12	4700500053		35	Screw M8x20H 8.8	C
14	4700904556		18	Washer 8,4x16x3,0	C
15	4811000481		1	Pipe clamp	
16	4700392075		4	Bracket	D
19	4700791460	A	1XL	Edge strip	D
20	4812110945		1	Bracket	D
22	4700570005		4	Nut M8	C
23	4812114465		2	Grommet with membrane	D
24	4812113708	B	2XL	Rubber strip	D
26	4700391299	C	1XL	Rubber strip	D
27	4700391299	D	3XL	Rubber strip	D
31	4700903423		2	Decal "SAFETY"	D
32	4700383024		4	Spacer sleeve	C
33	4700925519		4	Screw M12x55 10.9 GEOMET	D
34	4812110930		2	Nut-plate	C
35	4700904231		10	Washer 13x24x2 300 HV	C
36	4700947690		10	Screw	D

- A) L=0.77m
- B) L=1.24m
- C) L=0.785m
- D) L=0.85m



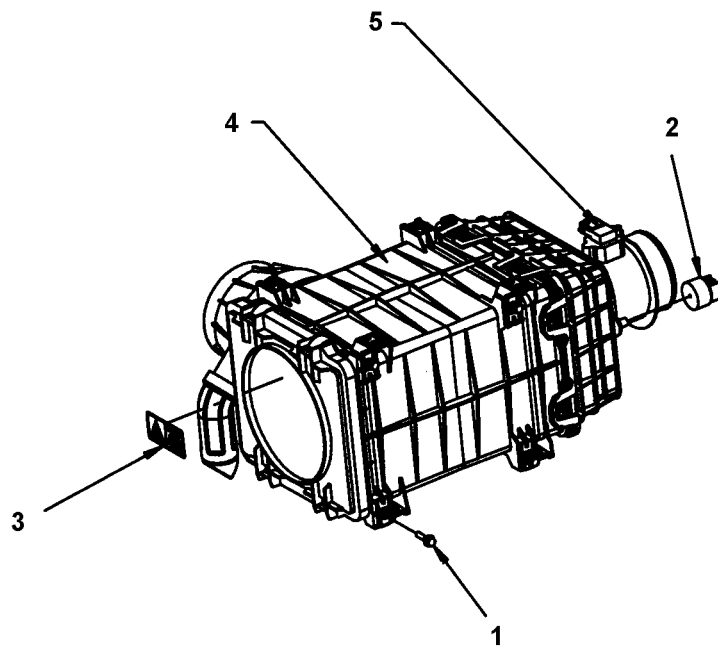
Hose assy kit

Item	Part No	Rem Qty	Description	Code
1	4812115539	1	Coolant hose	
2	4812113195	1	Cooler hose	
3	4700921050	2	Clamp	C
4	4700313004	1	Hose clamp	D
5	4700313010	4	Hose clamp	C
6	4700904352	5	Clamp	
7	4700902286	8	Hexagon lock nut with flange	C
8	4700923008	1	Clamp	D
9	4700904230	1	Steel plain washer	C
10	4700500048	1	Screw M10-1,5x20 8,8	C
11	4812116107	1	Holder	
12	4812114150	1	Cooler hose	



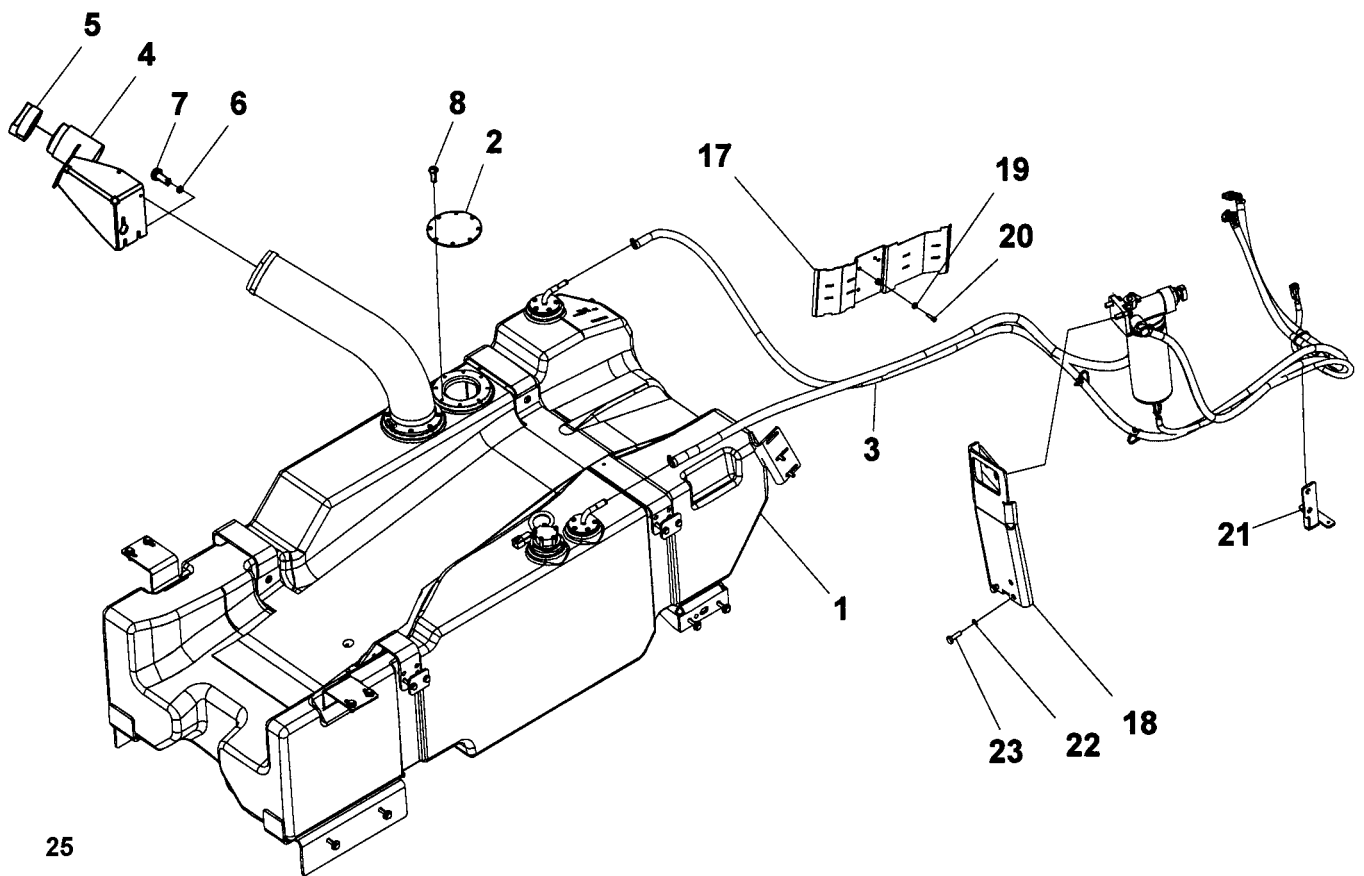
Air cleaner

Item	Part No	Rem Qty	Description	Code
1		1	Air cleaner module (Page 142)	
2	4812115487	1	Air intake hose	
3	4812115488	1	Air intake hose	
4	4700389600	1	Hose clamp	D
5	4700379214	1	Hose clamp	D
6	4700378712	1	Clamp	D
7	4812115481	1	Bracket	
8	4700904229	16	Steel plain washer 8,4x16x1,5	C
9	4700500021	4	Screw M8-1,25x25 8.8	C
10	4700902041	4	Screw M8 x 25	
11	4812113573	1	Air intake duct	
12	4812118179	2	Hose holder	
13	4700500019	8	Hexagon head screw M8x16H 8,8	C
14	4700500053	4	Screw M8x20H 8.8	C
15	4812118433	1	Hose clamp	



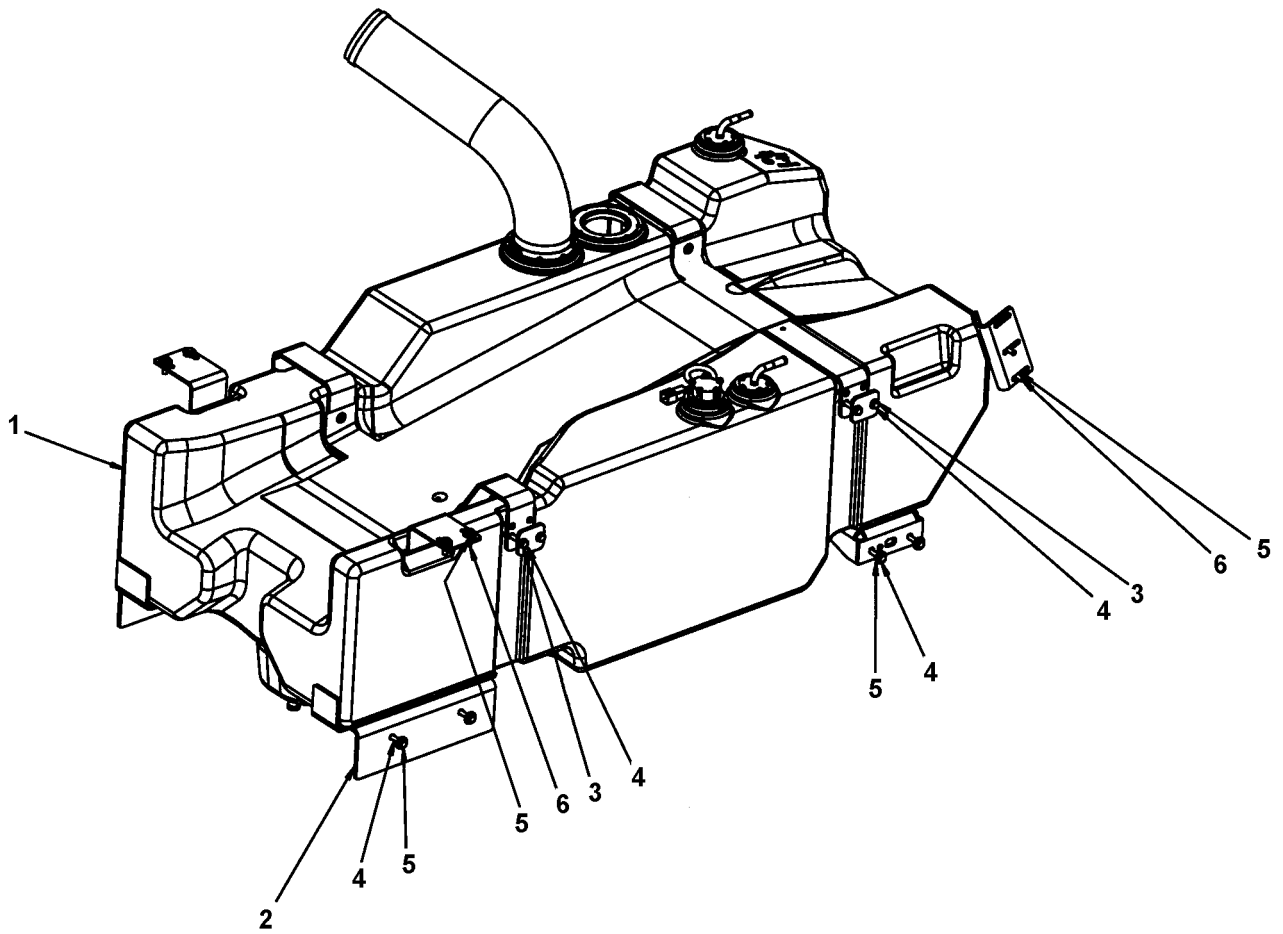
Air cleaner module

Item	Part No	Rem Qty	Description	Code
1	4700500502	4	Hexagon screw with flange M6 -25	C
2	4700929023	1	Indicator	B
3	4700791642	1	Decal "WARNING" Use of starting fluid prohib.	D
4	4812117000	1	Air cleaner Cpl	
	4812158190	1	. Air filter element, main	
	4812158191	1	. Air filter element, safety	
5	4812158192	1	. Sensor, air filter	



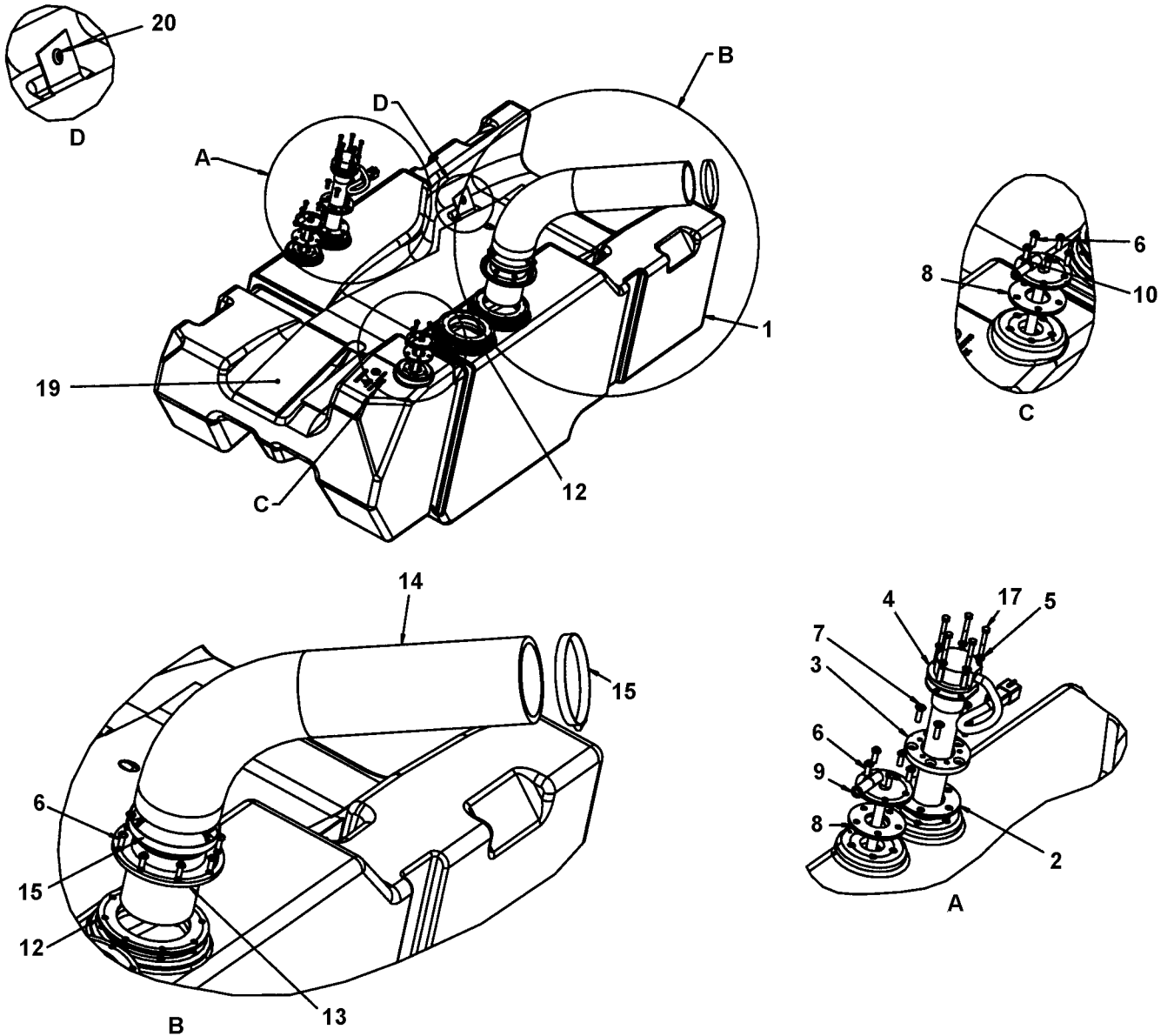
Fuel system

Item	Part No	Rem Qty	Description	Code
1		1	Fuel tank module (Page 146)	
2	4812112864	1	Cover	D
3		1	Fuel hoses (Page 152)	
4	4812112863	1	Bracket	D
5	4700380436	1	Fuel cap	D
6	4700904556	3	Washer 8,4x16x3,0	C
7	4700500053	3	Screw M8x20H 8.8	C
8	4700904206	8	Screw	C
17	4812114212	1	Bracket	
18	4812115902	1	Bracket	
19	4700603001	2	Washer	C
20	4700508025	2	Screw M6x20	
21	4812115580	1	Holder	
22	4700904229	2	Steel plain washer 8,4x16x1,5	C
23	4700500029	2	Hexagon head screw	C
25		1	Draining module, option (Page 154)	



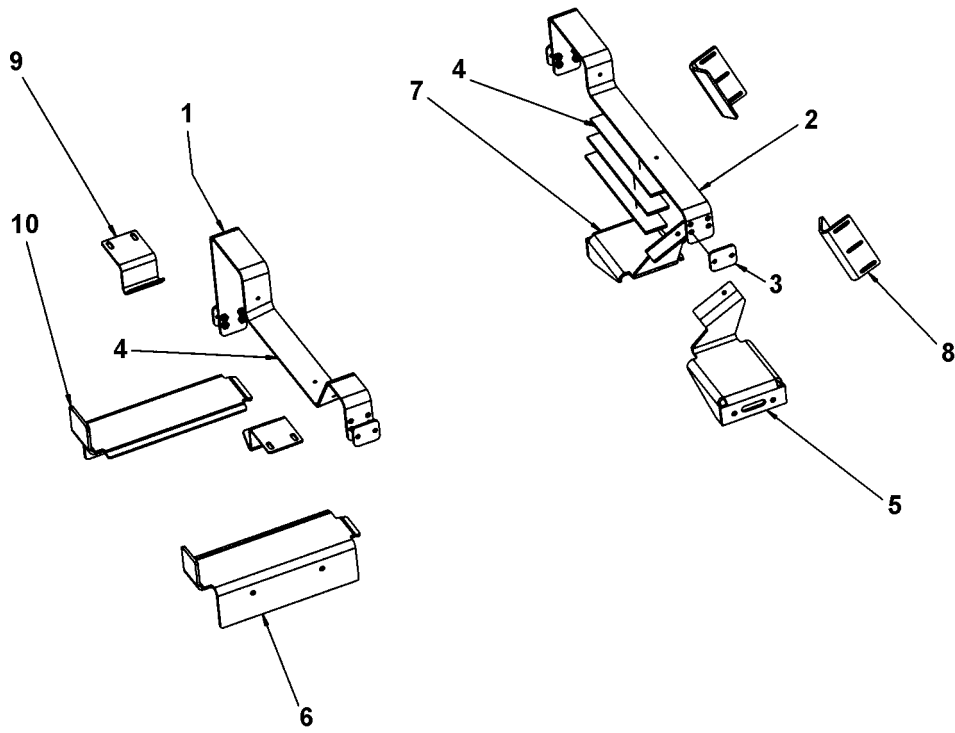
Fuel tank module

Item	Part No	Rem Qty	Description	Code
1		1	Fuel tank (Page 148)	
2		1	Brackets assy (Page 150)	
3	4700904229	8	Steel plain washer 8,4x16x1,5	C
4	4700500024	16	Screw M8x45	D
5	4700904640	16	Washer 8,4x22x3	C
6	4700500021	8	Screw M8-1,25x25 8.8	C



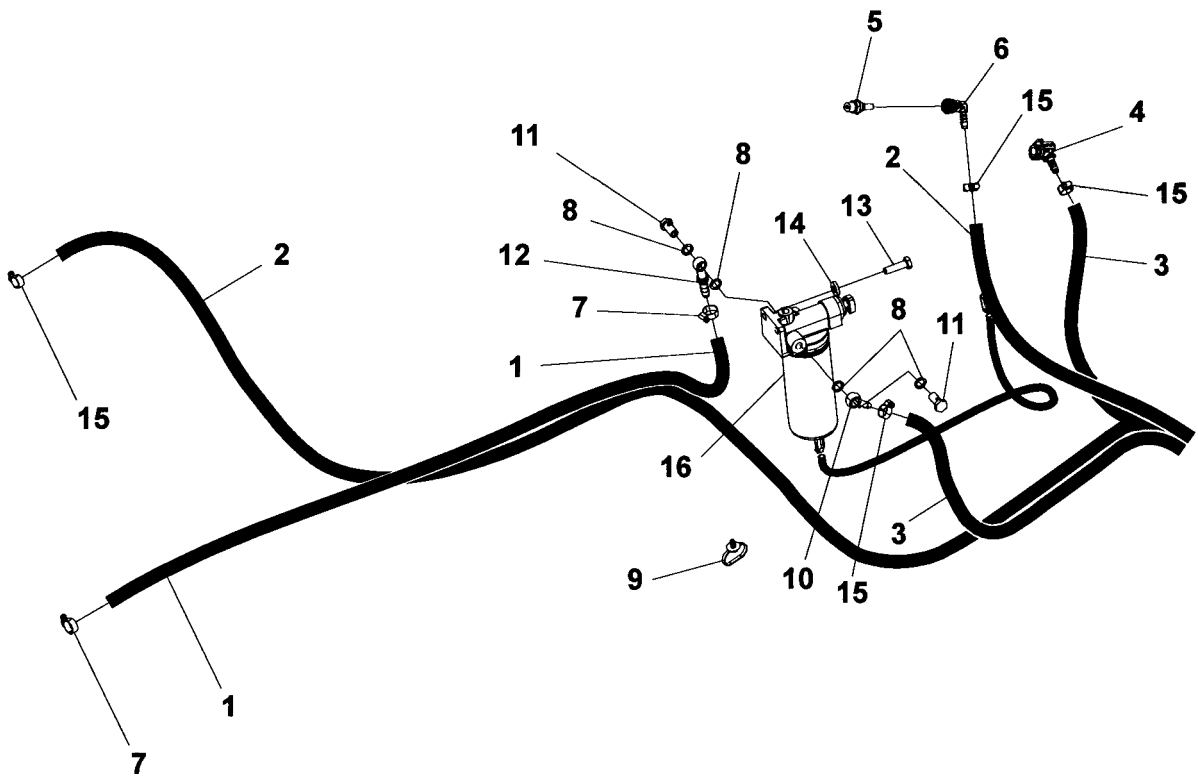
Fuel tank

Item	Part No	Rem Qty	Description	Code
1	4812117395	1	Fuel tank	
2	4812114949	1	Gasket	D
3	4812114813	1	Adapter	C
4	4812114935	1	Level sensor	C
5	4700904281	5	Washer 5,3x10x1 300HV	C
6	4700904206	18	Screw	C
7	4700513012	5	Screw M6x20 10,9	D
8	4812116834	2	Gasket	
9	4812116820	1	Fuel pipe	
10	4812116836	1	Fuel pipe	
12	4812112655	2	Flange gasket	D
13	4812112656	1	Flange connection	D
14	4812114909	1	Fuel hose	C
15	4700313033	2	Hose clamp	D
17	4700500009	5	Hexagon head screw	
19	4812112729	1	Rubber cloth	
20	4700395785	3	Expansion rivet	D



Brackets assy

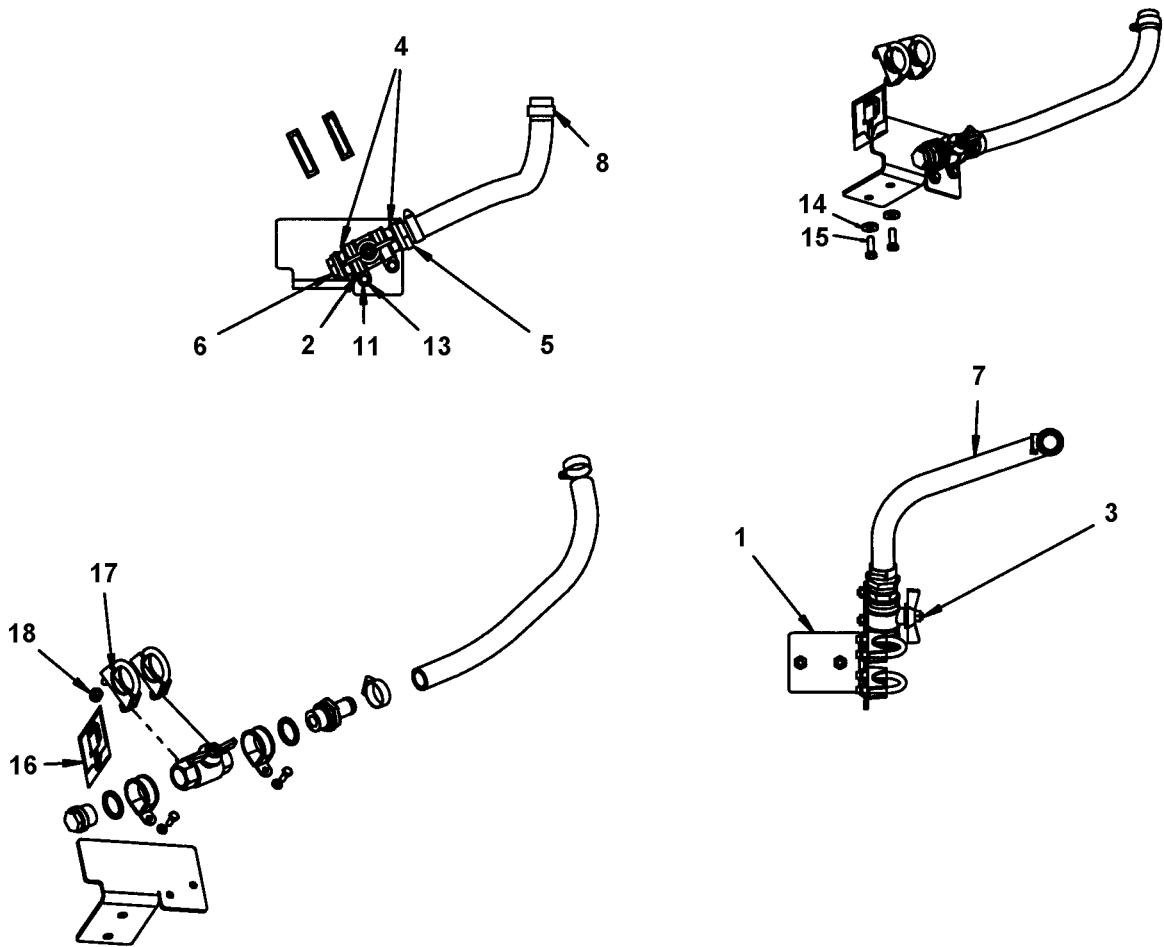
Item	Part No	Rem Qty	Description	Code
1	4812112343	1	Bracket	D
2	4812112344	1	Bracket	D
3	4812112639	4	Spacer	D
4	4812112761	6	Rubber cloth	
5	4812113640	1	Bracket	D
6	4812112647	1	Bracket	D
7	4812113641	1	Bracket	D
8	4812112777	2	Bracket	D
9	4812112776	2	Bracket	D
10	4812114913	1	Bracket	D



Fuel hoses

Item	Part No	Rem	Qty	Description	Code
1	4700904986	A	1XL	Fuel hose, fire-resistant	
2	4700904985	B	1XL	Fuel hose	C
3	4700904985	C	1XL	Fuel hose	C
4	4700792547		1	Quick connect coupling	D
5	4811000089		1	Quick connect coupling	
6	4700792522		1	Quick connect coupling	
7	4700313002		2	Hose clamp 13-20 mm	
8	4700747282		4	Copper washer	C
9	4700792441		4	Cable tie with holder	C
10	4700330170		1	Banjo nipple	D
11	4700330171		2	Hollow screw	C
12	4812117397		1	Banjo coupling	
13	4700500030		2	Screw M10x035H 8.8 A3K	C
14	4700904557		2	Steel plain washer	C
15	4700313001		4	Hose clamp	C
16		D	1	Pre-fuel filter	

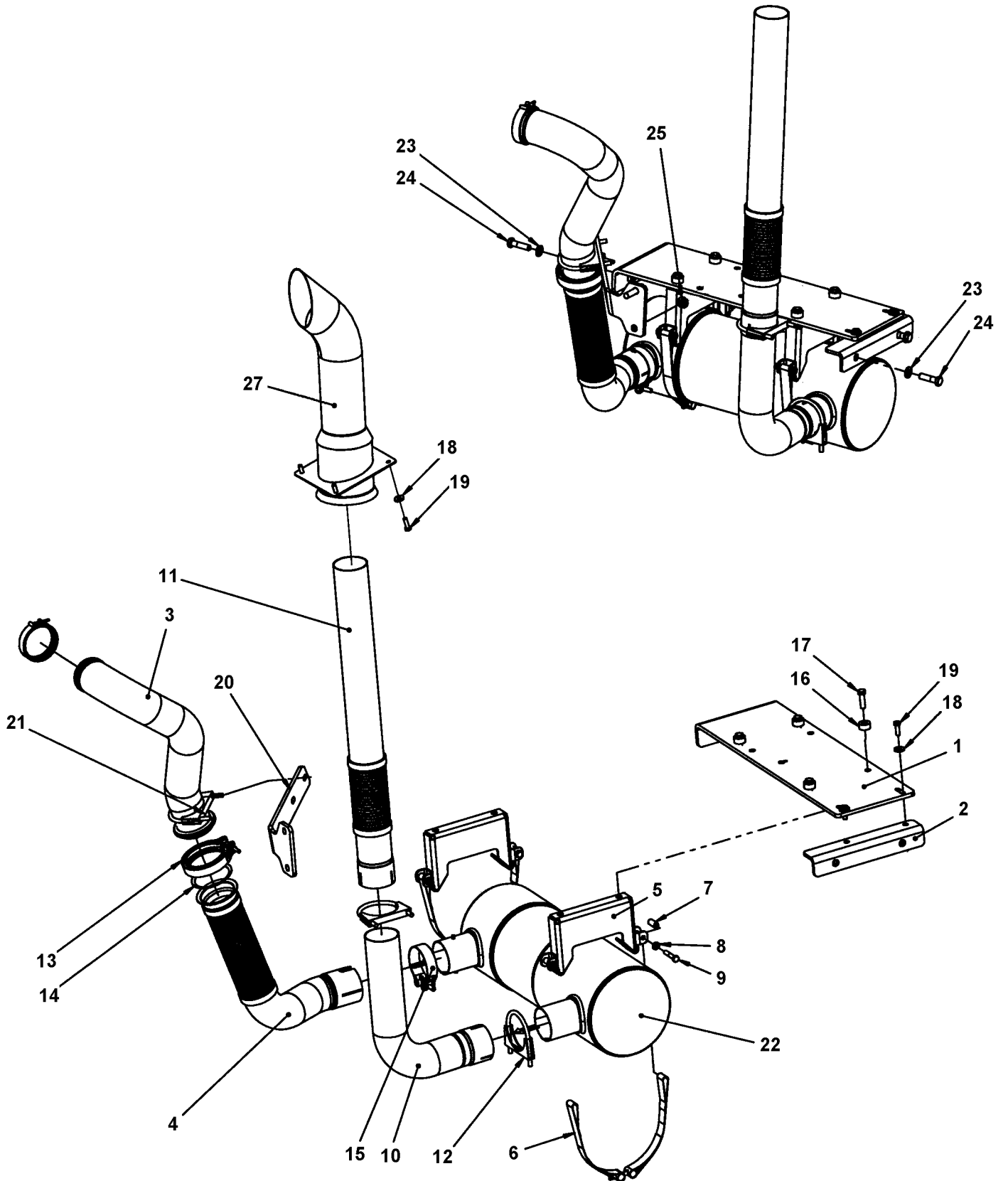
- A) L = 1.7m
- B) L = 3.4m
- C) L = 1.5m
- D) See section for diesel engine.



Draining module, option

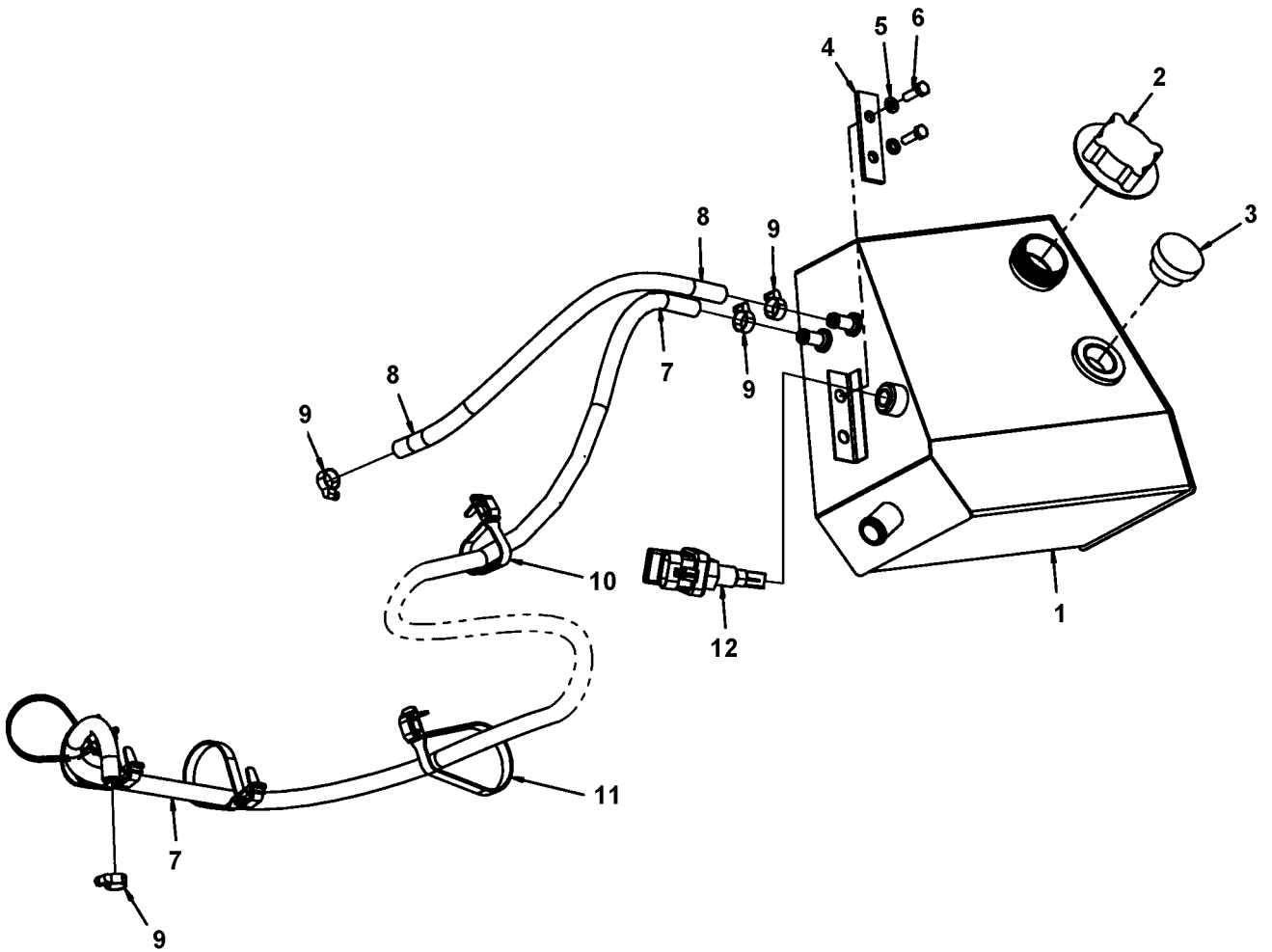
Item	Part No	Rem	Qty	Description	Code
1	4812114424	A	1	Bracket	
2	4700921057		2	Pipe clamp covered	
3	4700233304		1	Ball valve	C
4	4700791120		2	Sealing washer	
5	4812113181		1	Connection	
6	4700232039		1	Plug G3/4	C
7	4700904988	B	1XL	Fuel hose	
8	4700313006		2	Hose clamp	D
11	4700904228		2	Washer 6,4x12x1,5	C
13	4700500013		2	Screw M6-1x16 8,8	C
14	4700904640		2	Washer 8,4x22x3	C
15	4700500021		2	Screw M8-1,25x25 8.8	C
16	4811000443		1	Information decal "FUEL DRAIN"	
17	4700922944	C	2	Tube clamp	
18	4700586003		4	Lock nut M8	C

- A) Only used when protection plate 4812112439 is mounted on the machine.
- B) L=0.39m
- C) Used instead of item 4 when protection plate 4812117048 is mounted on the machine.



Exhaust system

Item	Part No	Rem Qty	Description	Code
1	4812116994	1	Bracket	
2	4812116342	1	Bracket	
3	4812118166	1	Exhaust pipe	
4	4812118167	1	Exhaust pipe	
5	4812115334	2	Holder	
6	4812115335	2	Clamp	
7	4812115581	4	Spacer sleeve	
8	4700904229	4	Steel plain washer 8,4x16x1,5	C
9	4700500024	4	Screw M8x45	D
10	4812115332	1	Exhaust pipe	
11	4812115333	1	Exhaust pipe	
12	4700313094	2	Pipe clamp	C
13	4812115908	1	V-band clamp	
14	4812115600	1	Gasket	
15	4812113999	1	Clamp	
16	4700359989	4	Spacer sleeve	D
17	4700500030	4	Screw M10x035H 8.8 A3K	C
18	4700904640	2	Washer 8,4x22x3	C
19	4700500021	2	Screw M8-1,25x25 8.8	C
20	4812118168	1	Holder	
21	4811000481	1	Pipe clamp	
22	4812116996	1	Catalytic converter	
23	4700904231	4	Washer 13x24x2 300 HV	C
24	4700500056	4	Screw	
25	4700904703	2	Washer	B
27	4812112479	1	Exhaust pipe	



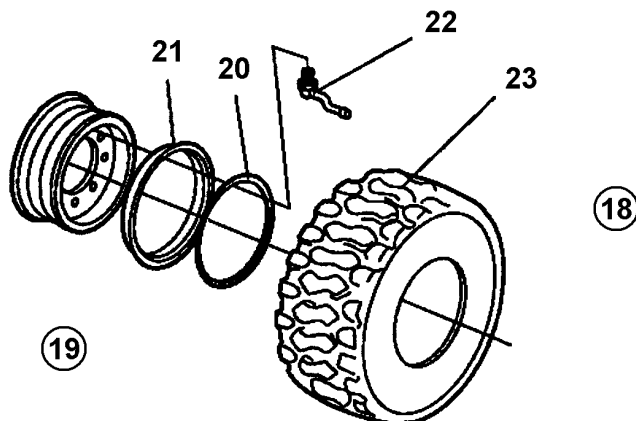
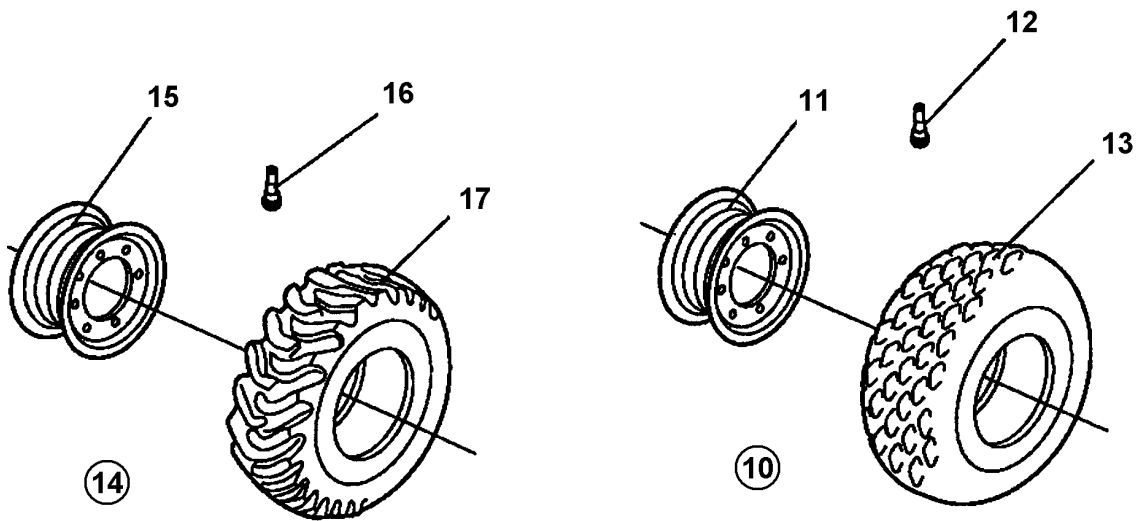
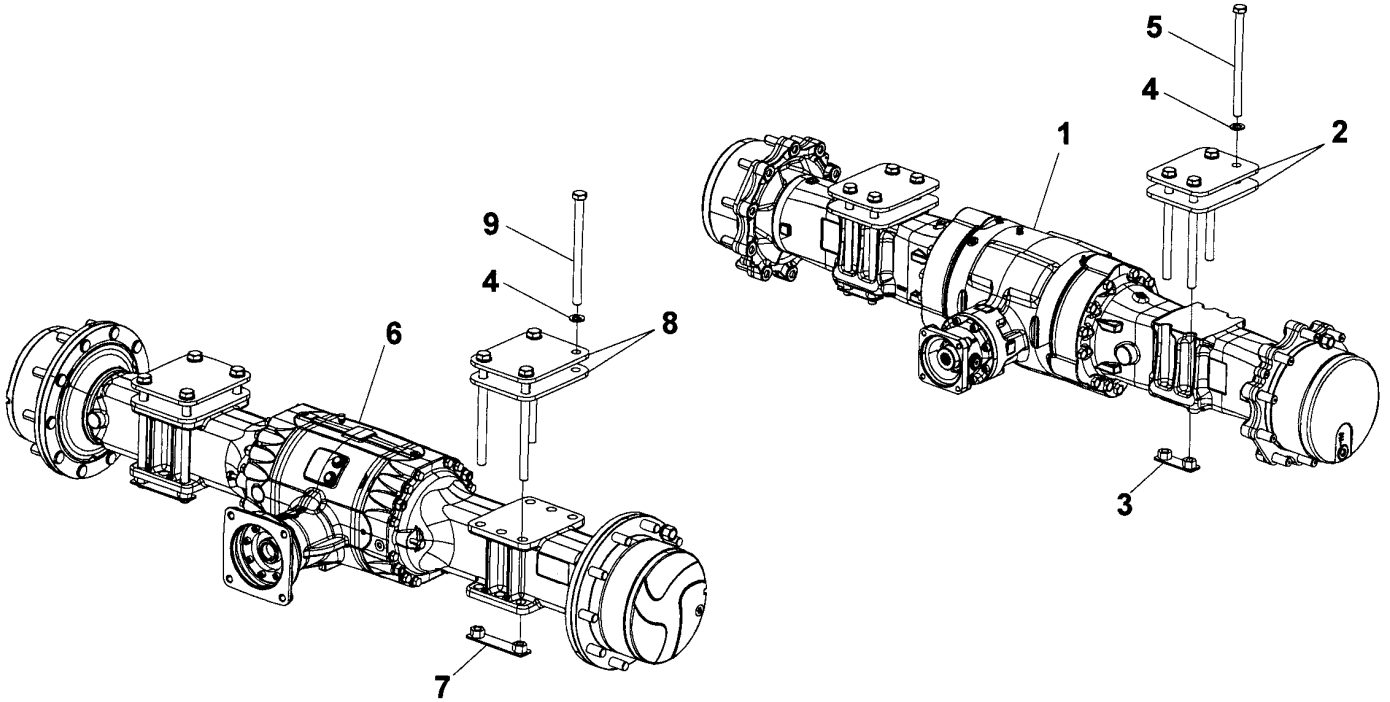
Expansion tank assembly

Item	Part No	Rem	Qty	Description	Code
1	4812115770		1	Expansion tank	
2	4700903714		1	Cap	
3	4700372597		1	Level glass	C
4	4700381413		2	Washer	
5	4700904228		4	Washer 6,4x12x1,5	C
6	4700500040		4	Screw M6-1x20 8,8	C
7	4700904985	A	1XL	Fuel hose	C
8	4700904985	B	1XL	Fuel hose	C
9	4700313001		4	Hose clamp	C
10	4812115835		3	Cable tie	
11	4812115836		4	Cable tie	
12	4812114098		1	Level sensor	

- A) L = 2.7m
B) L = 0.23m

Transmission

Item	Part No	Rem Qty	Description	Code
1		1	Rear axle and wheels (Page 162)	

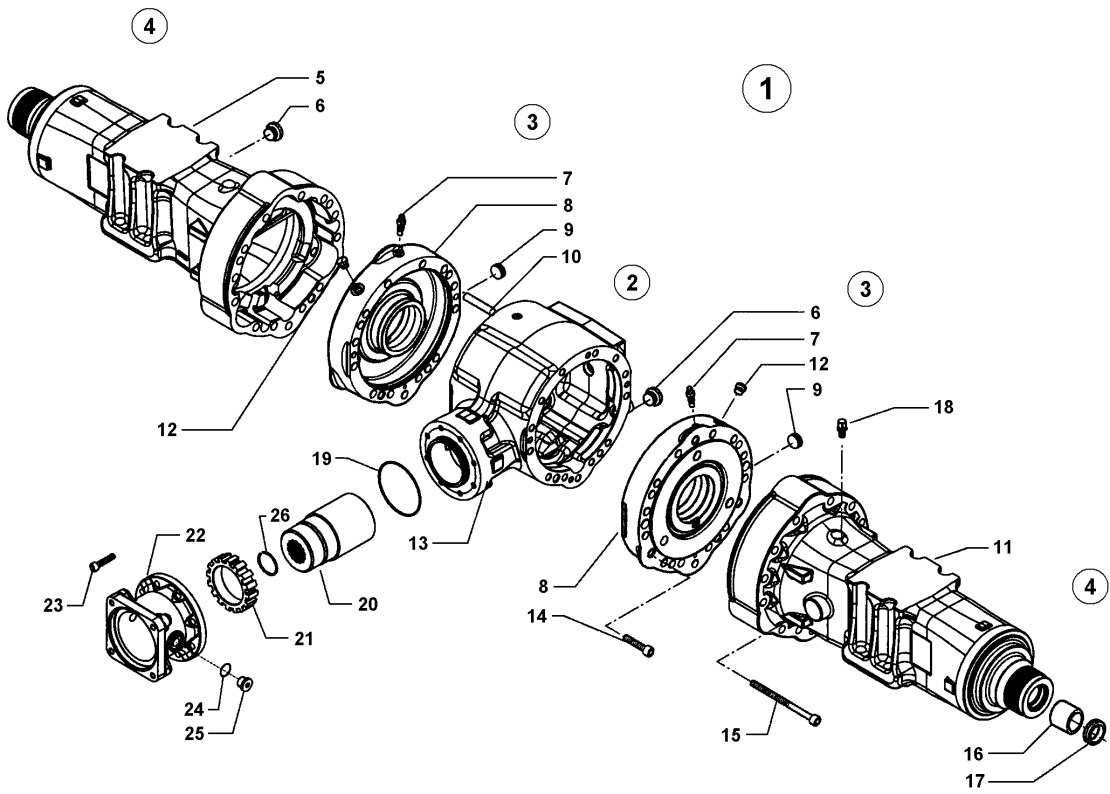


Rear axle and wheels

Item	Part No	Rem	Qty	Description	Code
1	4812113344		1	Rear axle, limited slip (Page 164)	
2	4812114933		4	Spacer	
3	4812114934		4	Nut-plate	
4	4700904233		8	Washer 21x36x3	C
5	4700904280		8	Hexagon head screw	
6	4812113341		1	Rear axle No spin (Page 172)	
7	4812112393		4	Nut-plate	C
8	4812112435		4	Spacer	
9	4700904353		8	Hexagon head screw	
10		A	2	Wheel, cpl	
11	4700393335		1	. Rim	D
12	4700792261		1	. Air charging valve Straight	B
13	4812116039		1	. Tyre	
14			2	Tractor wheel, cpl	
15	4700393335		1	. Rim	D
16	4700792261		1	. Air charging valve Straight	B
17	4700390589		1	. Tyre	D
18		B	2	Wheel, cpl	
19	4700383955		1	. Rim cpl	D
20	4700901443		1	. . Snap ring	
21	4700901444		1	. . Side ring	
22	4700791175		1	. Air charging valve	B
	4700791176		1	. Valve foot	D
23	4700901218		1	. Tyre	D

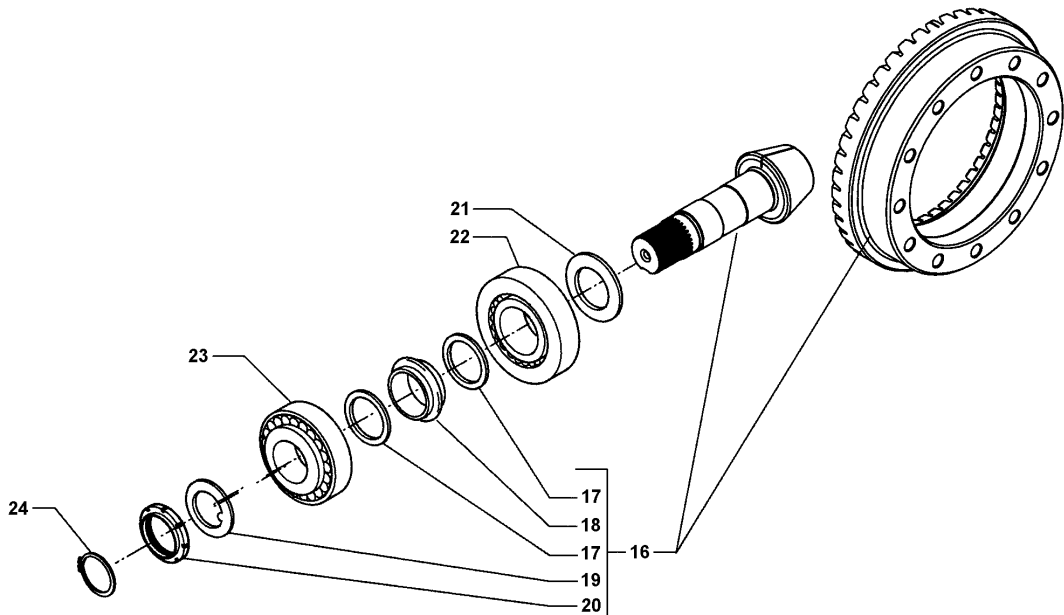
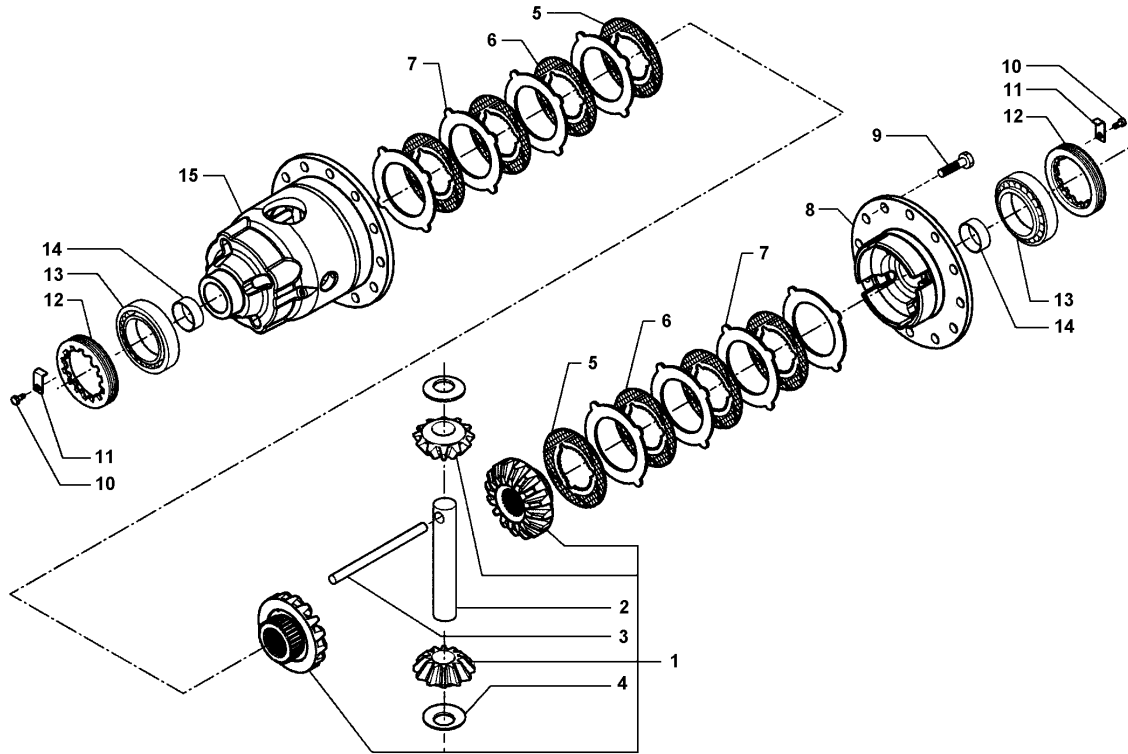
- A) All-weather wheel.
- B) Premium.

4812113344 Rear axle, limited slip



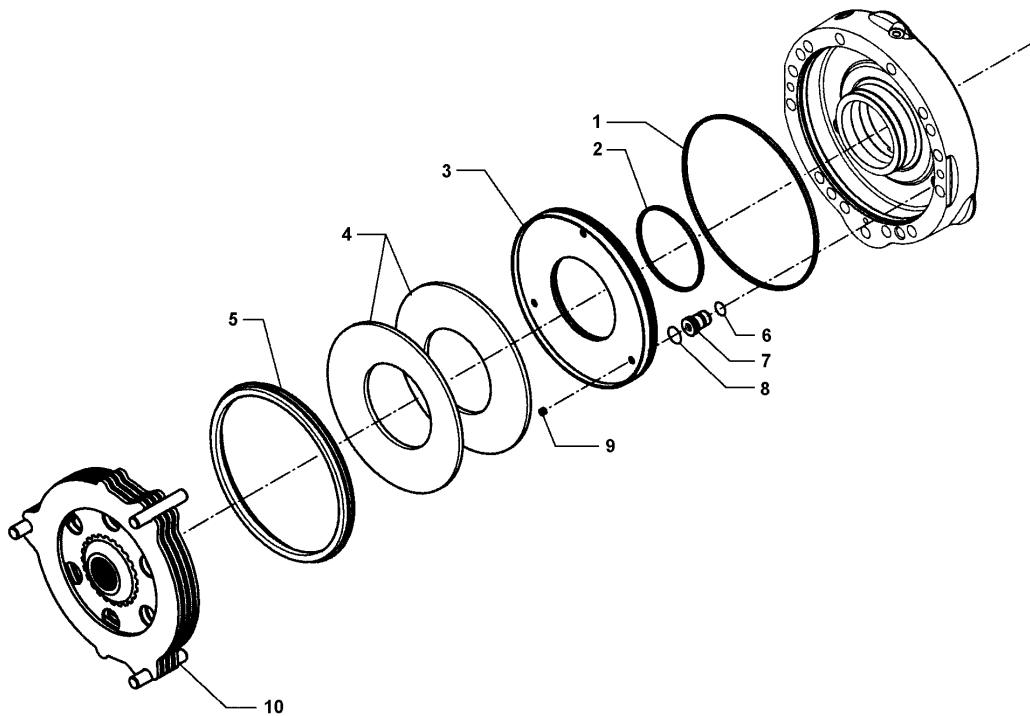
4812113344 Rear axle, limited slip

Item	Part No	Rem Qty	Description	Code
1		1	. Rear axle, limited slip	
2		1	. Differential & Bevel gear (Page 166)	
3		1	. Brakes (Page 168)	
4		1	. Hub reduction (Page 170)	
5		1	. Left, leg housing	
6		3	. Plug	
7	4812158466	2	. Breather	
8		2	. Brake cylinder	
9		2	. Plug	
10		4	. Pin	
11		1	. Right, leg housing	
12		2	. Plug	
13		1	. Central body	
14		8	. Bolt	
15		26	. Bolt	
16		2	. Bush	
17	4812158467	2	. Seal ring	
18	4812158468	1	. Breather	
19	4812158469	1	. O-ring	
20		1	. Sleeve	
21		1	. Phonic wheel	
22		1	. Flange	
23		8	. Screw	
24		2	. Washer	
25		2	. Plug	
26		1	. Snap ring	



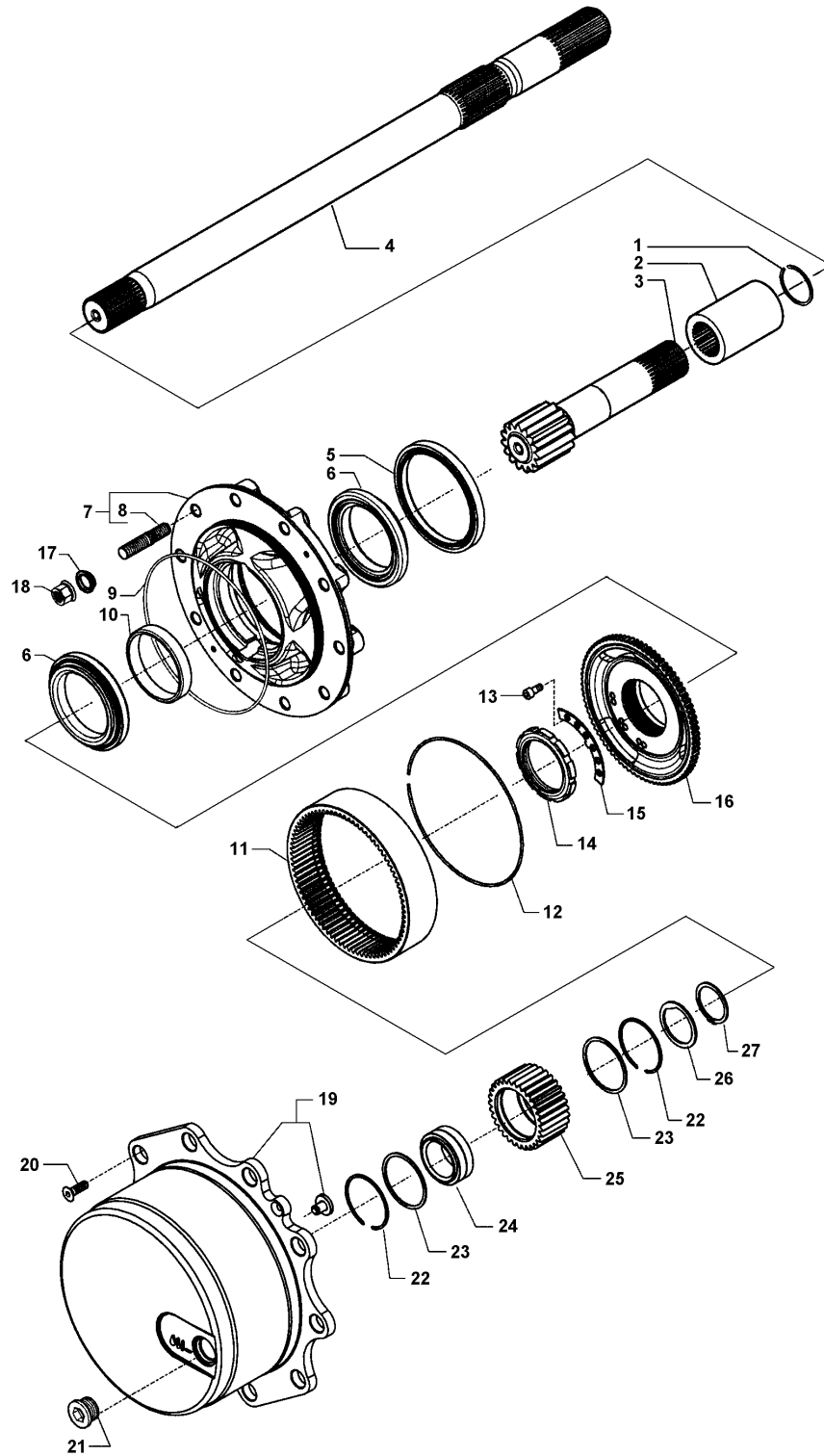
Differential & Bevel gear

Item	Part No	Rem Qty	Description	Code
1	4812158474	1	. Differential kit	
2		1	. . Pin	
3		1	. . Pin	
4		2	. . Thrust washer	
5		2	. Differential disc	
6		6	. Differential disc	
7		8	. Differential counter disc	
8		1	. Differential housing cover	
9		12	. Bolt	
10		2	. Bolt	
11		2	. Locking plate	
12		2	. Ring nut	
13	4812158475	2	. Bearing	
14		2	. Bush	
15		1	. Differential housing	
16	4812158470	1	. Bevel gear/pinion kit	
17		2	. . Washer	
18		1	. . Collapsible spacer	
19		1	. . Lock washer	
20		1	. . Ring nut	
21		1	. Shim	
22	4812158471	1	. Bearing	
23	4812158472	1	. Bearing	
24	4812158473	1	. Snap ring	



Brakes

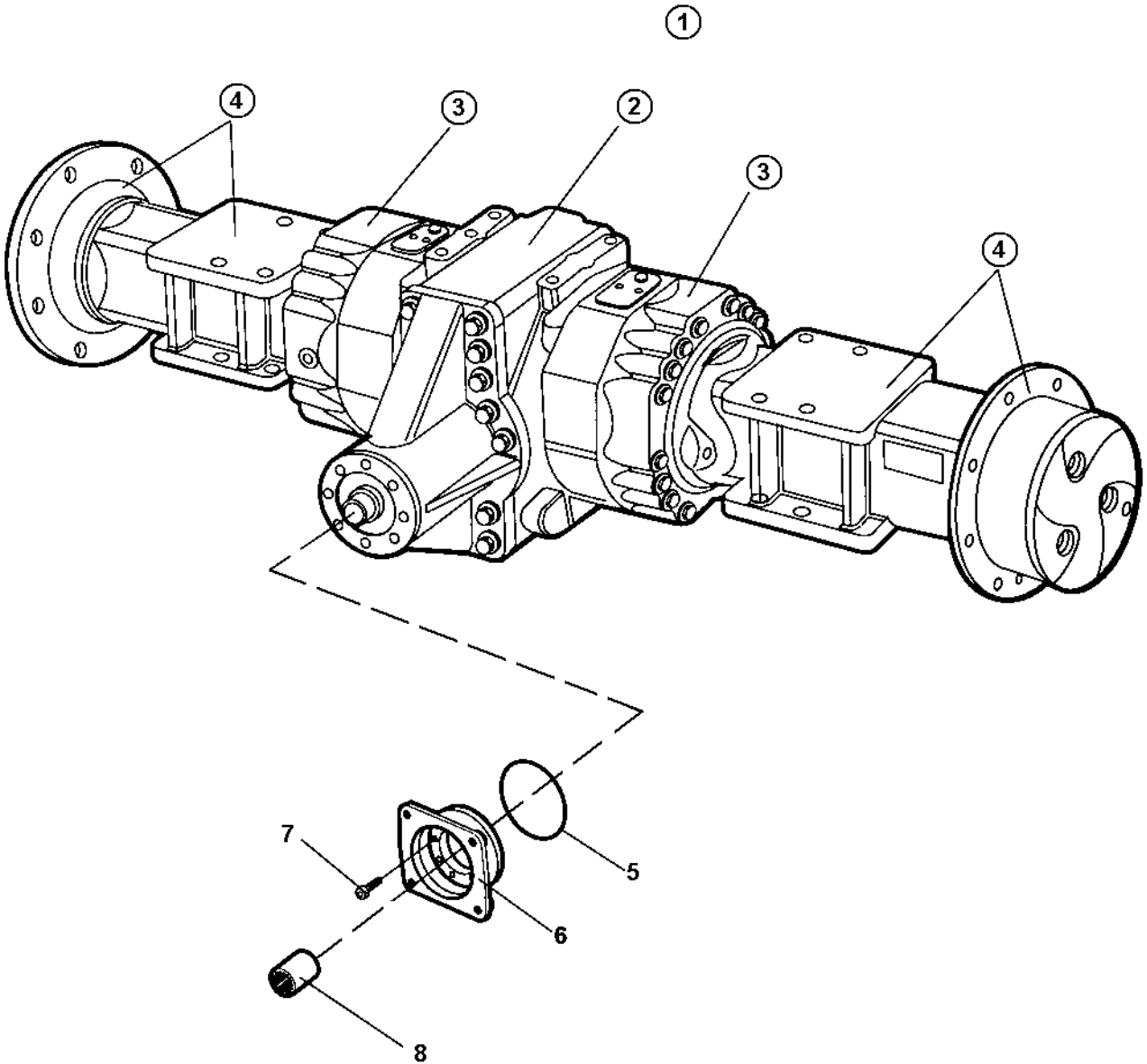
Item	Part No	Rem Qty	Description	Code
1		2	. Quadring	
2		2	. Quadring	
3		2	. Brake piston	
4		2	. Belleville washer	
5		2	. Sleeve	
6		6	. O-ring	
7		6	. Actuation pin	
8		6	. O-ring	
9		6	. Plug	
10		2	. Brake discs assembly	



Hub reduction

Item	Part No	Rem Qty	Description	Code
1		2	. Snap ring	
2		2	. Bush	
3		2	. Half shaft	
4		2	. Half shaft	
5		1	. Seal ring	
6	4812158476	2	. Bearing	
7	4812158477	2	. Wheel hub kit	
8	4812158478	20	. . Stud	
9		2	. O-ring	
10		2	. Spacer	
11		2	. Crown gear	
12		2	. Lock ring	
13		6	. Bolt	
14		2	. Ring nut	
15		2	. Locking plate	
16		2	. Wheel carrier	
17		12	. Washer	
18		12	. Nut	
19		2	. Planetary carrier assy	
20		4	. Bolt	
21	4812158479	2	. Plug	
22		12	. Snap ring	
23		12	. Thrust washer	
24	4812158480	6	. Rollers bearing	
25		6	. Gear	
26		6	. Thrust washer	
27		6	. Snap ring	

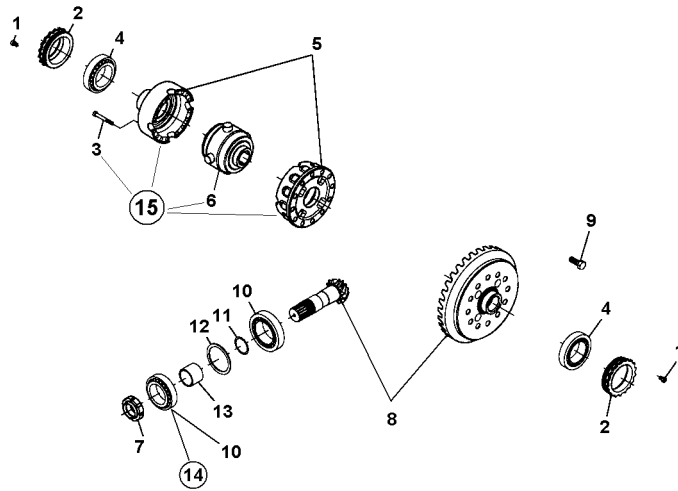
4812113341 Rear axle No spin



4812113341 Rear axle No spin

Item	Part No	Rem Qty	Description	Code
1		1	Rear axle	
2		1	. Differential (Page 174)	
3		2	. Central housing and brakes (Page 176)	
4		2	. Hub reduction (Page 178)	
5	4700929675	1	. O-ring	D
6		1	. Cover	
7		8	. Bolt	
8	4812156887	1	. Splined sleeve	

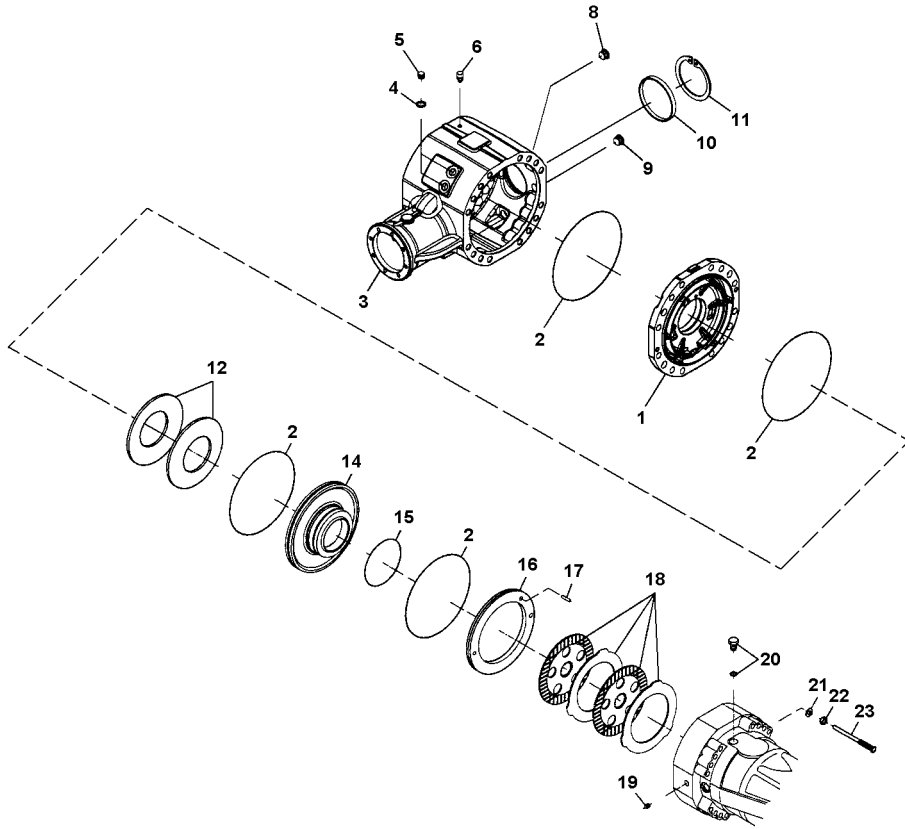
15 = Position KIT = 3+5+6



Differential

Item	Part No	Rem Qty	Description	Code
1		2	. Bolt	
2		2	. Ring nut	
3		16	. Bolt	
4	4812157358	2	. Taper roller bearing	
5		1	. Differential carrier	
6		1	. No spin differential	
7		1	. Ring nut	
8	4812157359	1	. Bevel gear set	
9		16	. Bolt	
10	4812157361	1	. Roller bearing	
11		1	. Shim	
12		1	. Shim	
13		1	. Spacer	
14	4812157469	1	. Bearing for options	
15	4812157462	1	. No spin differential kit	

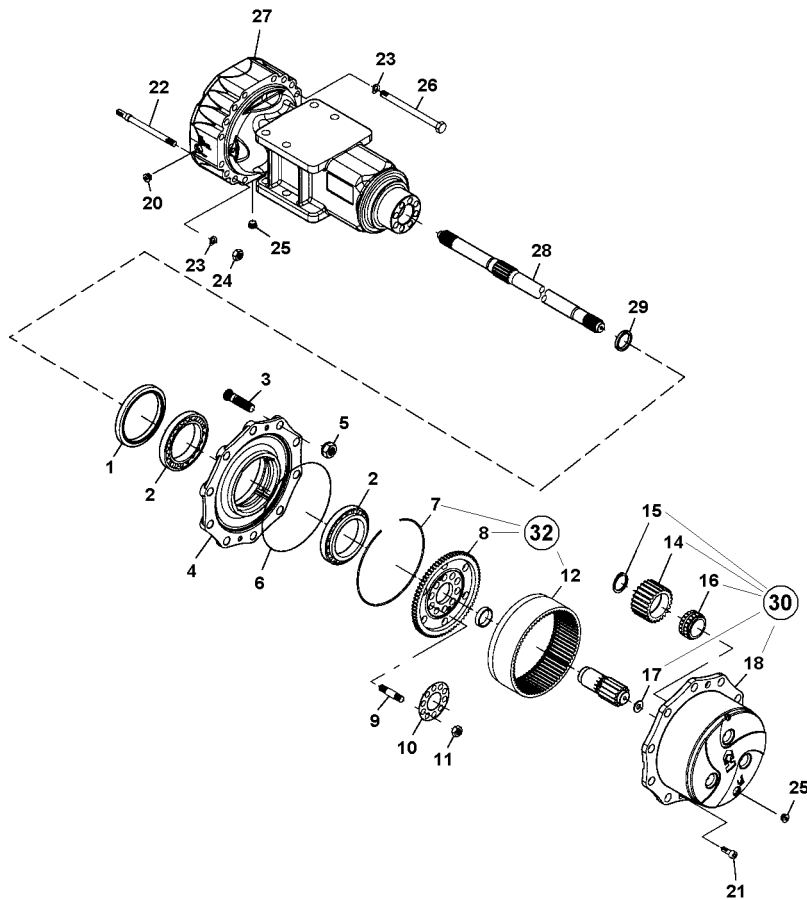
Central housing and brakes



Central housing and brakes

Item	Part No	Rem Qty	Description	Code
1		2	. Cover	
2	4700909609	8	. O-ring	D
3		1	. Housing	
4		2	. Seal washer	
5		2	. Bolt	
6	4700938984	1	. Vent nipple	
8	4812157461	1	. Plug	
9	4700939350	1	. Magnetic plug	
10		1	. Plug	
11		1	. Snap ring	
12		2	. Spring	
14		2	. Piston	
15	4812156954	2	. O-ring	D
16		2	. Ring	
17		2	. Dowel	
18	4812157465	2	. Brake disc	
19	4812157466	2	. Plug	
20	4812156958	2	. Plug	
21		4	. Lock washer	
22		4	. Nut	
23		4	. Bolt	

- ③② Position Kit =7+8+12
- ③① Position Kit =14+15+16+17+18



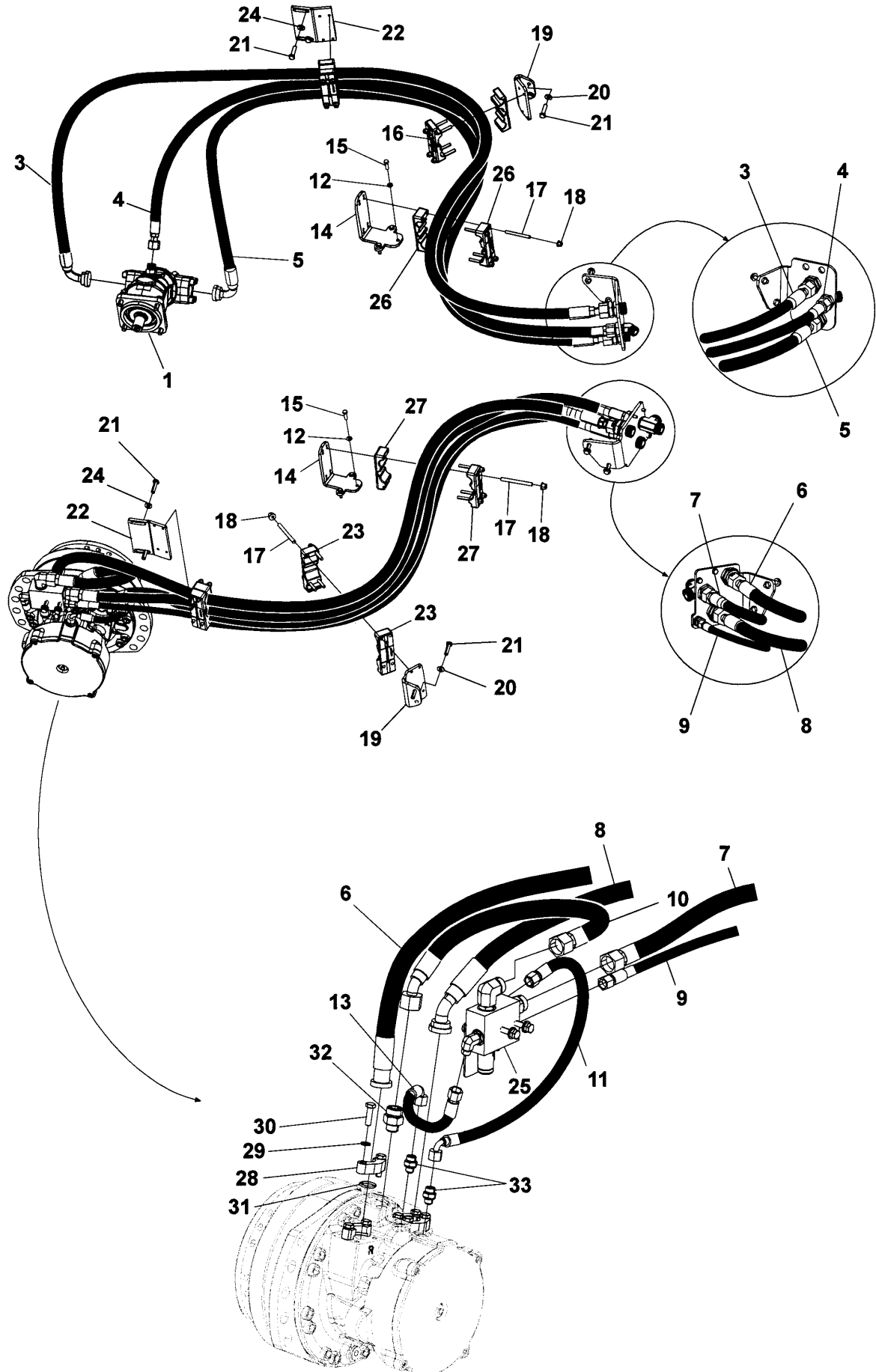
Hub reduction

Item	Part No	Rem Qty	Description	Code
1	4812156796	2	Seal	
2	4700939009	4	Bearing	
3	4700926781	20	Wheel screw	
4		2	Wheel hub	
5	4700901987	20	Wheel nut	
6	4700929612	2	O-ring	D
7		2	Circlip	
8		2	Ring gear support	
9		16	Stud	
10		2	Locking plate	
11		16	Nut	
12		2	Ring gear	
14		6	Planet gear	
15		6	Snap ring	
16	4700939273	6	Bearing	
17		2	Friction washer	
18		2	Planet gear carrier	
20	4700939348	2	Plug	
21		4	Countersunk bolt	
22		8	Stud	
23		8	Spring washer	
24		8	Nut	
25	4700939350	4	Magnetic plug	
26		24	Bolt	
27		2	Axle case	
28		2	Half shaft	
29	4700939014	2	Seal	
30	4812157463	2	Planet gear carrier	
32	4812157464	2	Ring gear support	

Hydraulic system

Item	Part No	Rem Qty	Description	Code
1		1	Hydraulic system, drum (D) Traction control, dual speed (Page 182)	
2		1	Hydraulic system, drum (PD) Traction control, dual speed (Page 208)	
3		1	Hydraulic system, drum Anti-spin system (Page 216)	
4		1	Hydraulic system, rear axle Traction control, limited slip (Page 228)	
5		1	Hydraulic system, rear axle Traction control, no slip (Page 240)	
6		1	Hydraulic system, rear axle Anti-spin system (Page 248)	
7		1	Hydraulic system, rear axle Dual speed (Page 258)	
8		1	Hydraulic system, oil tank (Page 264)	
9		1	Hydraulic system, frame rear (Page 282)	
10		1	Hydraulic system, steering (Page 288)	
11		1	Hydraulic hoses, steering (Page 296)	
12		1	Emergency steering valve module (Page 298)	
13		1	Hydraulic system, engine room (Page 302)	
14		1	Hydraulic system, engine room Adjustable frequency, eco opti (Page 320)	

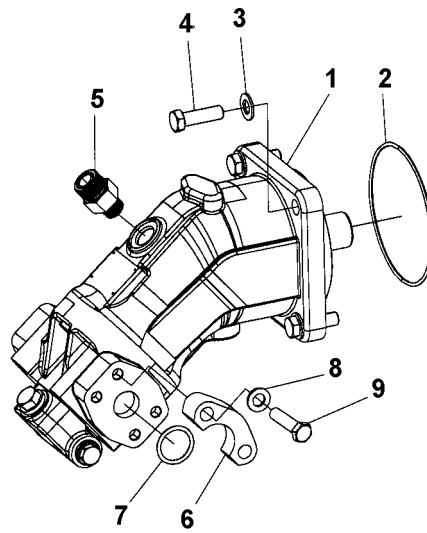
Hydraulic system, drum (D) Traction control, dual speed



Hydraulic system, drum (D) Traction control, dual speed

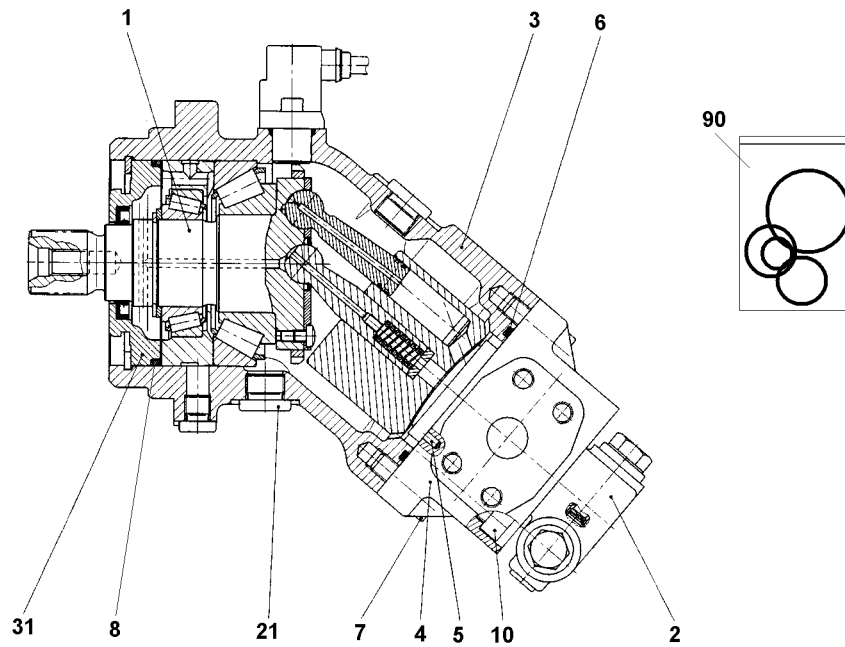
Item	Part No	Rem	Qty	Description	Code
1		A	1	Hydraulic motor (Page 184)	
			1	Hydraulic motor (Page 194)	
3	4812114684	A	1	Hydraulic hose	C
	4812114690		1	Hydraulic hose	
4	4812114685	A	1	Hydraulic hose	C
	4812114691		1	Hydraulic hose	
5	4812114686	A	1	Hydraulic hose	C
	4812114692		1	Hydraulic hose	
6	4812114674		1	Hydraulic hose	
7	4812114675		1	Hydraulic hose	
8	4812114676		1	Hydraulic hose	
9	4812114677		1	Hydraulic hose	
10	4812114678		1	Hydraulic hose	
11	4812114679		1	Hydraulic hose	
12	4700904229		6	Steel plain washer 8,4x16x1,5	C
13	4812114680		1	Hydraulic hose	
14	4812117915		2	Bracket	
15	4700500022		6	Screw M8x30H 8.8	C
16	4812112304		4	Hose holder	
17	4700791860		24	Stud	D
18	4700902286		24	Hexagon lock nut with flange	C
19	4812113963		2	Bracket	
20	4700904230		4	Steel plain washer	C
21	4700500028		8	Screw	C
22	4812113569		2	Bracket	
23	4812112306		4	Hose holder	
24	4700904557		4	Steel plain washer	C
25			1	Hydraulic valve module (Page 204)	
26	4812117015		2	Hose holder	
27	4812116857		2	Hose holder	
28	4700929226		4	Flange half	C
29	4700904637		8	Washer	C
30	4700500030		8	Screw M10x035H 8.8 A3K	C
31	4700904004		2	O-ring	C
32	4700792336		1	Straight connector orfs	D
33	4700791535		2	Connector	D

A) Compaction data high, option.



Hydraulic motor

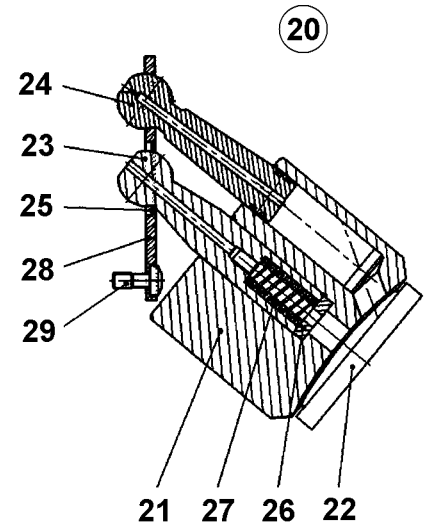
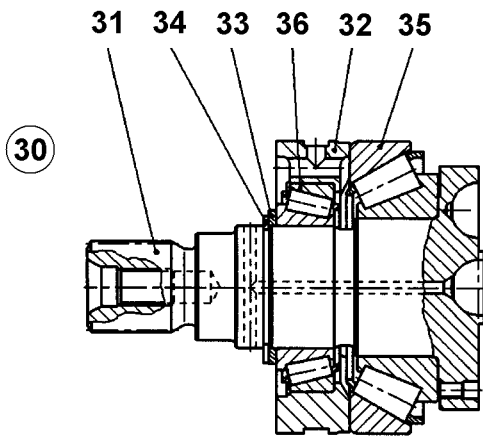
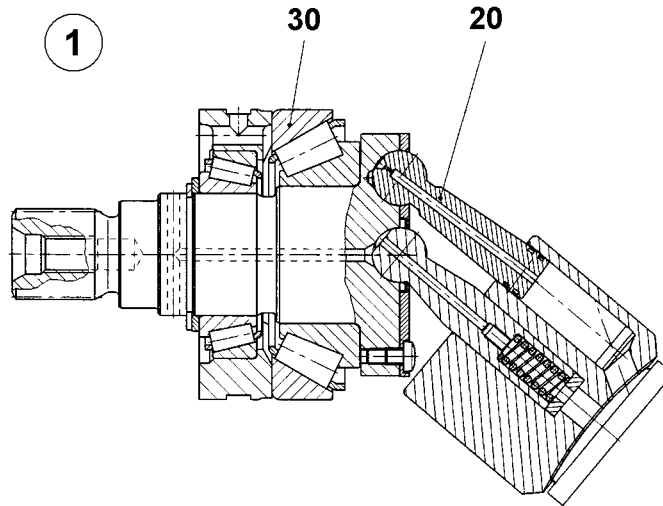
Item	Part No	Rem Qty	Description	Code
1	4812112216	1	Hydraulic motor, vibration (Page 186)	
2	4700160132	1	O-ring 124, 50x3, 00	B
3	4700904231	4	Washer 13x24x2 300 HV	C
4	4700500194	4	Screw	C
5	4811000074	1	Straight connector orfs	D
6	4700929226	4	Flange half	C
7	4700904004	2	O-ring	C
8	4700904637	8	Washer	C
9	4700500030	8	Screw M10x035H 8.8 A3K	C



4812112216 Hydraulic motor, vibration

Item	Part No	Rem	Qty	Description	Code
1			1	. Rotary group (Page 188)	
2			1	. Flush & boost pressure valve with orifice (Page 190)	
3			1	. Housing	
4			1	. Port plate	
5			1	. Cylinder pin	
6	4812158170	A	1	. O-ring	
7			2	. Socket head screw	
8	4812158173		1	. O-ring	
10			4	. Socket head screw	
21			1	. Locking screw	
31			1	. Cover (Page 192)	
90	D966534208	A	1	. Seal kit	

A) Included in seal kit.

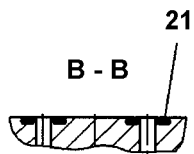
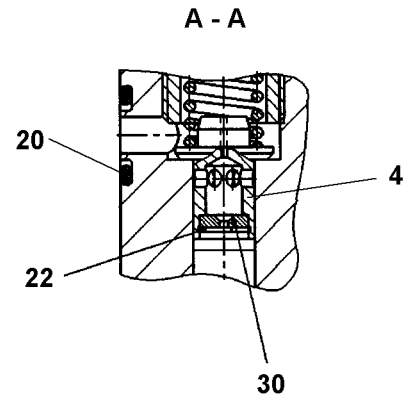
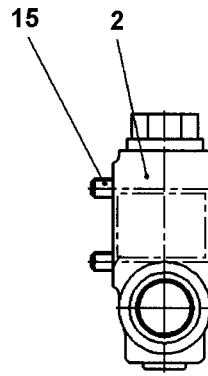
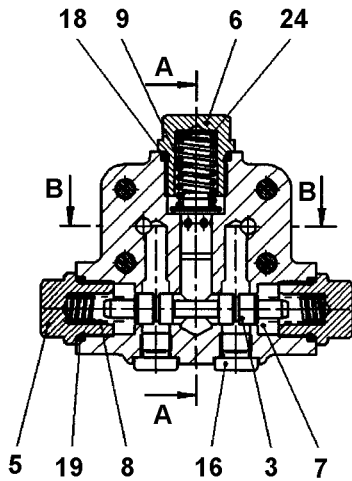


Rotary group

Item	Part No	Rem Qty	Description	Code
1	4812158168	1	. Rotary group, cpl	
20		1	. Rotary group, hydraul section	
21		1	.. Cylinder	
22		1	.. Control plate	
23		1	.. Center pin	
24		7	.. Piston with piston rings	
25		1	.. Washer	
26		1	.. Adjustment shim	
27		1	.. Pressure spring	
28		1	.. Retaining plate	
29		7	.. Pan-head screw	
30		1	. Drive shaft with bearing assy	
31		1	.. Drive shaft	
32		1	.. Bearing ring	
33		1	.. Back-up plate	
34		1	.. Retaining ring	
35	4812158171	1	.. Tapered roller bearing	
36	4812158077	1	.. Tapered roller bearing	

Flush & boost pressure valve with orifice

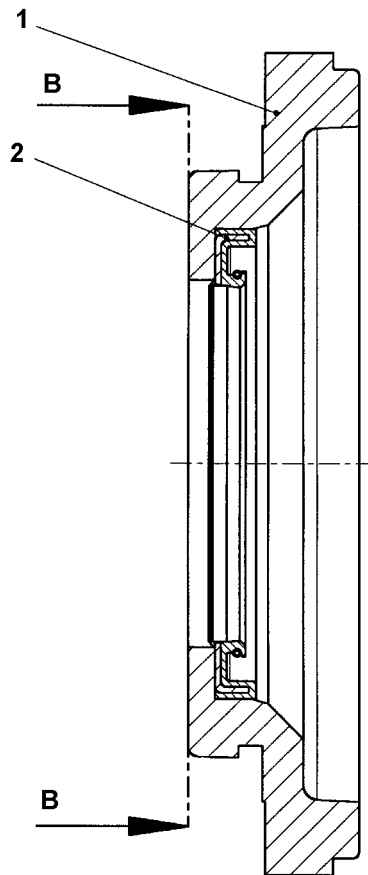
1



Flush & boost pressure valve with orifice

Item	Part No	Rem	Qty	Description	Code
1	4812158169		1	. Flush & boost pressure valve with orifice	
2			1	.. Housing piston	
3			1	.. Flushing piston	
4			1	.. Valve piston	
5			2	.. Locking screw	
6			1	.. Locking screw	
7			2	.. Washer	
8			2	.. Pressure spring	
9			1	.. Pressure spring	
15			4	.. Socket head screw	
16			2	.. Locking screw	
18	4812157460	A	1	.. O-ring	
19	4812157170	A	2	.. O-ring	
20	4812157184	A	1	.. O-ring	
21	4812157185	A	2	.. O-ring	
22			1	.. Retaining ring	
24			1	.. Shim	
30	4812158172		1	.. Orifice	

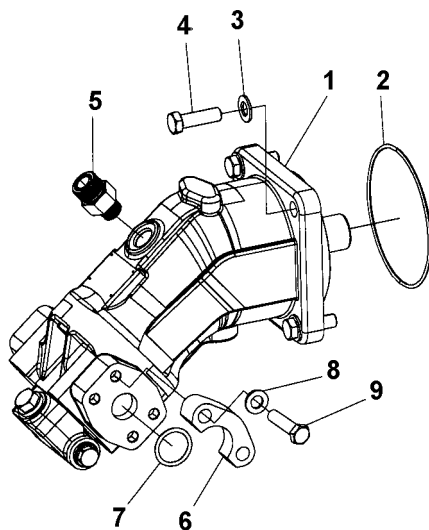
A) Included in seal kit.



Cover

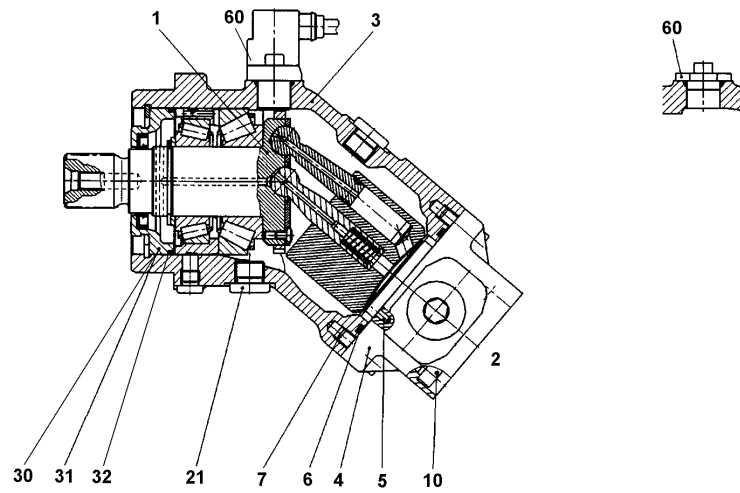
Item	Part No	Rem	Qty	Description	Code
1			1	. Cover	
2	4700937264	A	1	. Shaft seal ring	

A) Included in seal kit.



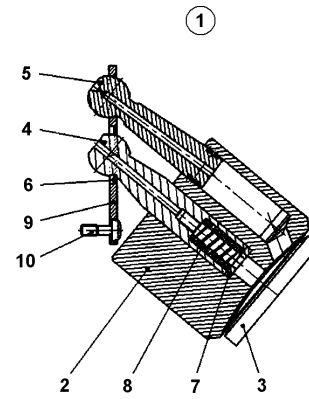
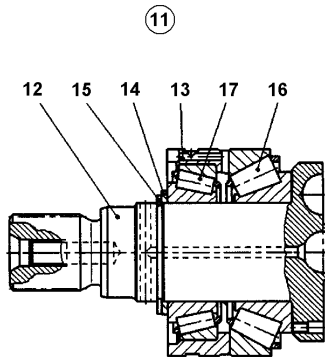
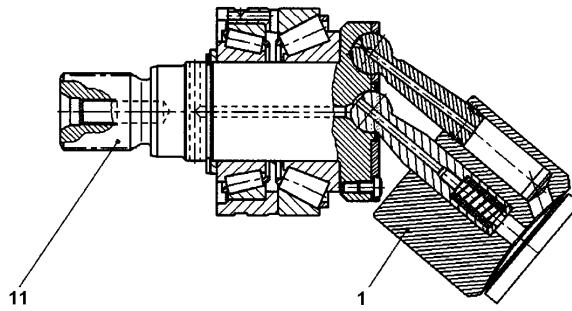
Hydraulic motor

Item	Part No	Rem Qty	Description	Code
1	4812112215	1	Hydraulic motor (Page 196)	
2	4700160132	1	O-ring 124, 50x3, 00	B
3	4700904231	4	Washer 13x24x2 300 HV	C
4	4700500194	4	Screw	C
5	4811000074	1	Straight connector orfs	D
6	4700900430	4	Flange half	C
7	4700904774	2	O-ring	D
8	4700904229	8	Steel plain washer 8,4x16x1,5	C
9	4700500022	8	Screw M8x30H 8.8	C



4812112215 Hydraulic motor

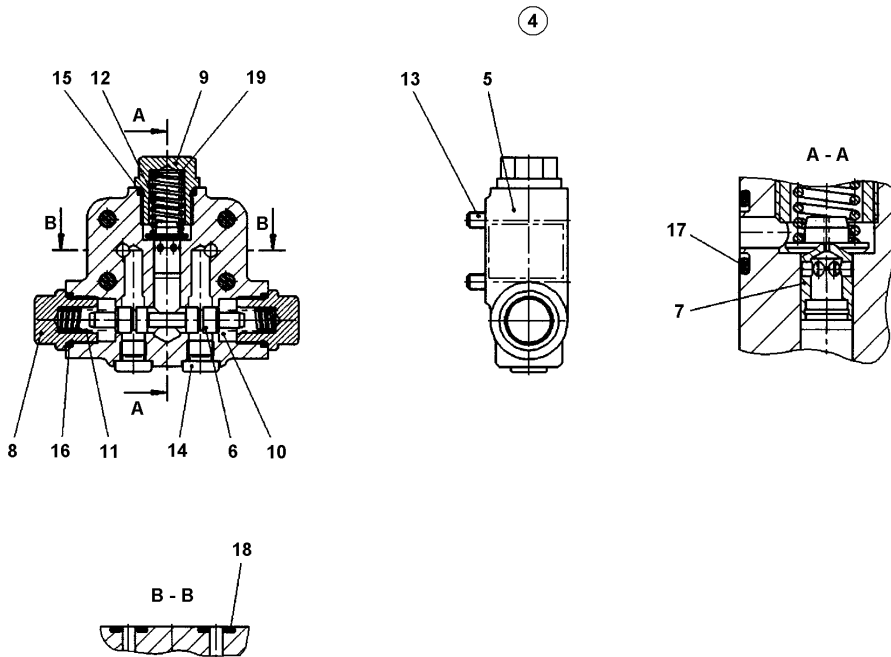
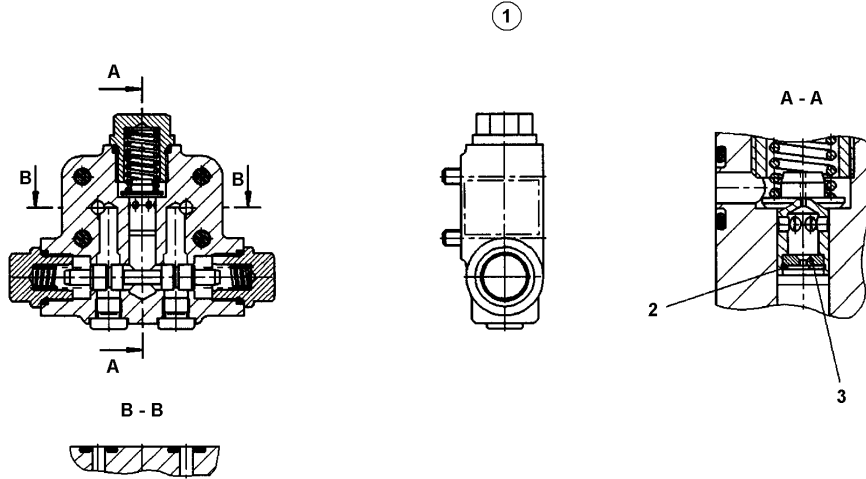
Item	Part No	Rem Qty	Description	Code
1		1	. Rotary group (Page 198)	
2		1	. Flush and boost pressure valve (Page 200)	
3		1	. Housing	
4		1	. Subplate	
5		1	. Cylinder pin	
6	4700937258	1	. O-ring	
7		2	. Socket head screw	
10		4	. Socket head screw	
21		1	. Locking screw	
30		1	. Cover with shaft seal ring (Page 202)	
31	4812158766	1	. Cover, cpl	
32	4700937265	1	. O-ring	
60		1	. Flange cover	



Rotary group

Item	Part No	Rem Qty	Description	Code
1		1	. Rotary group, hydraul section	
2		1	.. Cylinder	
3		1	.. Control plate	
4		1	.. Center pin	
5		7	.. Piston with piston rings	
6		1	.. Washer	
7		1	.. Adjustment shim	
8		1	.. Compression spring	
9		1	.. Retaining plate	
10		7	.. Pan-head screw	
11		1	. Drive shaft with bearing assy	
12		1	.. Drive shaft	
13		1	.. Bearing ring	
14		1	.. Back-up plate	
15		1	.. Retaining ring	
16	4700901385	1	.. Bearing	D
17	4700901386	1	.. Bearing	D

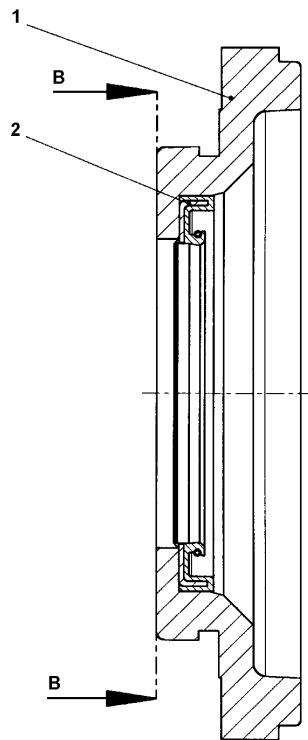
Flush and boost pressure valve



Flush and boost pressure valve

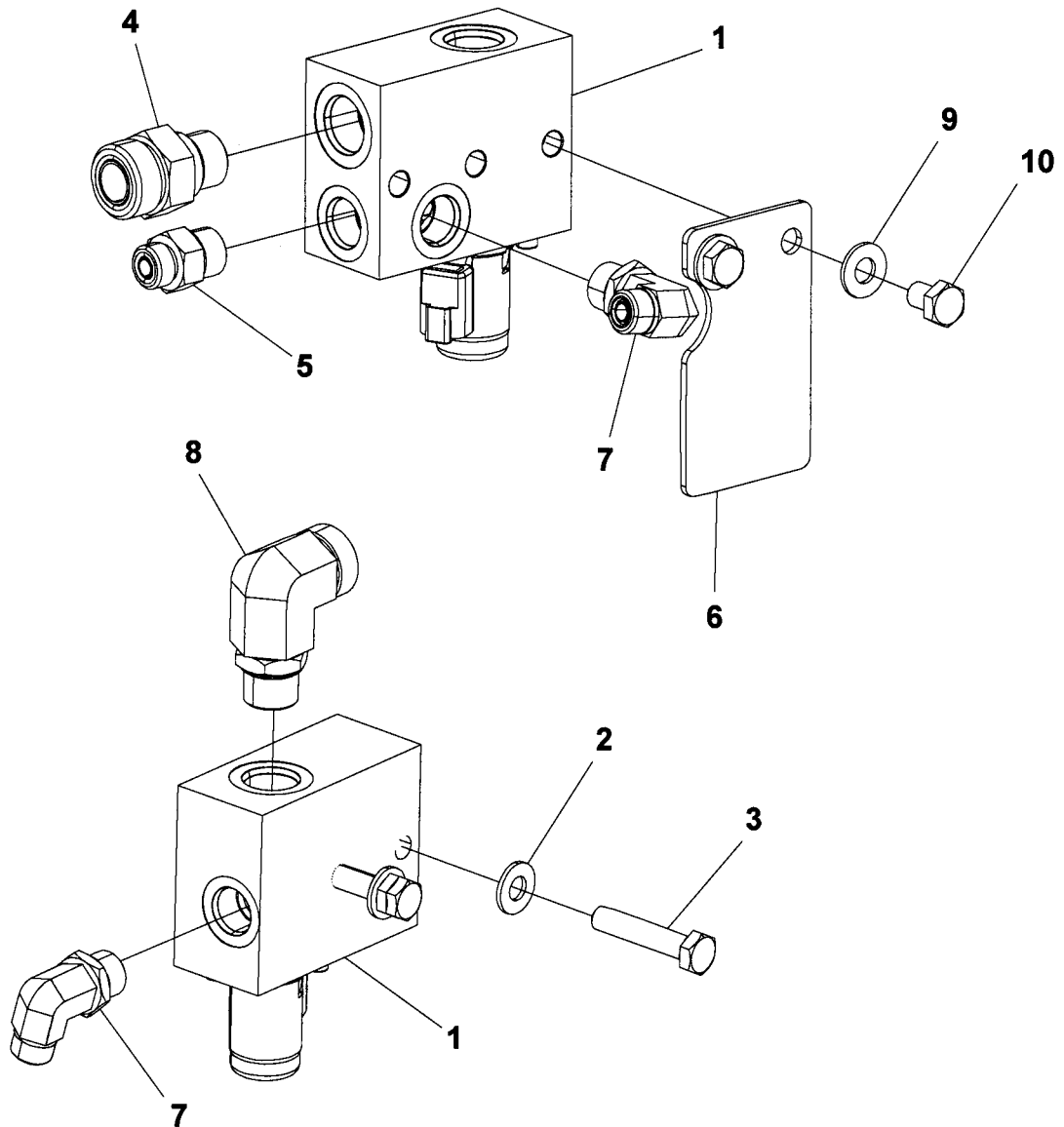
Item	Part No	Rem Qty	Description	Code
1		1	. Flush and boost pressure valve with orifice	
2		1	.. Retaining ring	
3	4812158657	1	.. Orifice	
4		1	. Flush and boost pressure valve without orifice	
5		1	.. Housing	
6		1	.. Flushing piston	
7		1	.. Valve piston	
8		2	.. Locking screw	
9		1	.. Locking screw	
10		2	.. Washer	
11		2	.. Compression spring	
12		1	.. Compression spring	
13		4	.. Socket head screw	
14		2	.. Locking screw	
15	4812157460	1	.. O-ring	
16	4812157170	2	.. O-ring	
17	4812157184	1	.. O-ring	
18	4812157185	2	.. O-ring	
19		1	.. Shim	

Cover with shaft seal ring



Cover with shaft seal ring

Item	Part No	Rem Qty	Description	Code
1		1	. Cover	
2	4700937264	1	. Shaft seal ring	

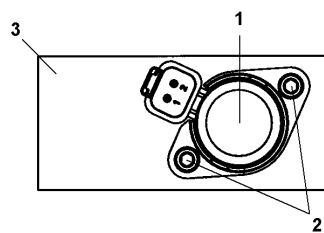
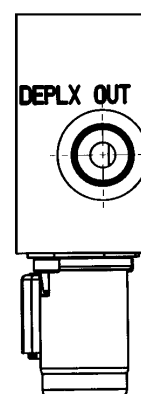
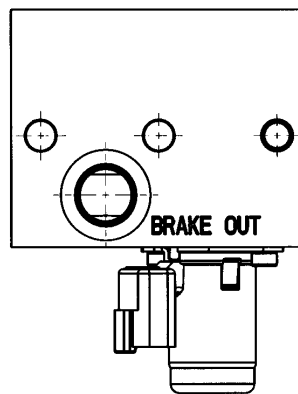
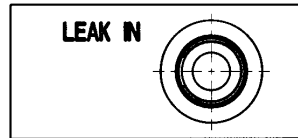


Hydraulic valve module

Item	Part No	Rem	Qty	Description	Code
1	4812113687		1	Hydraulic valve (Page 206)	
2	4700904230		2	Steel plain washer	C
3	4700500161	A	2	Hexagon head screw	C
	4700500091	B	2	Screw	C
4	4812115051		1	Straight connector orfs	
5	4700791828		1	Straight connector orfs	
6	4812114108		1	Bracket	
7	4700791840		2	Elbow adapter 90, O-ring with swivel	D
8	4700791838		1	Elbow 90, O-ring with swivel	
9	4700904230		2	Steel plain washer	C
10	4700500191		2	Screw M10x14	

A) Used with 35mm side plate.

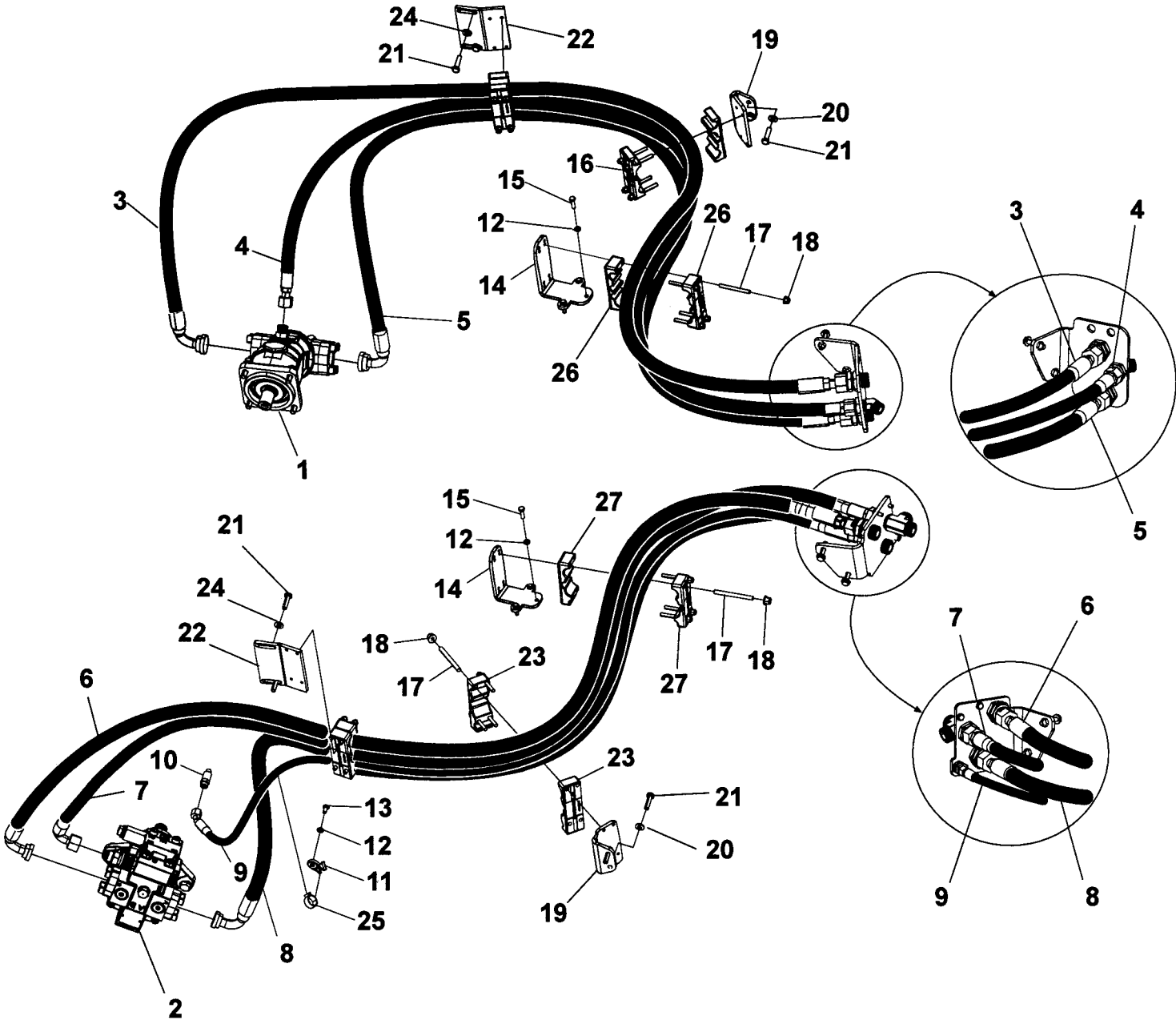
B) Used with 40mm side plate.



4812113687 Hydraulic valve

Item	Part No	Rem Qty	Description	Code
1	4812158483	1	Solenoid valve	
2	4812158484	2	Cap head screw	
3		1	Block	

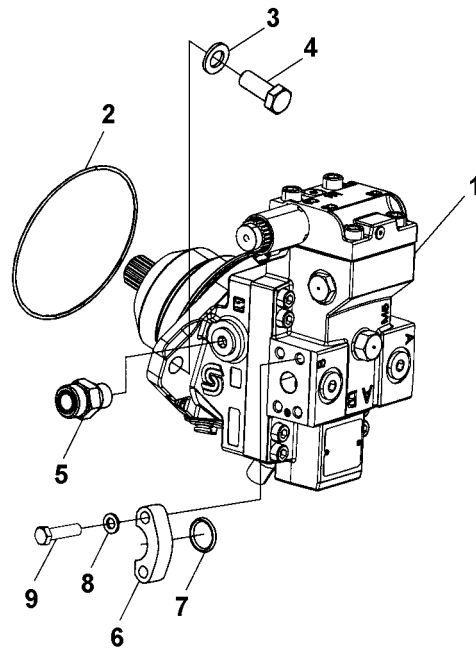
Hydraulic system, drum (PD) Traction control, dual speed



Hydraulic system, drum (PD) Traction control, dual speed

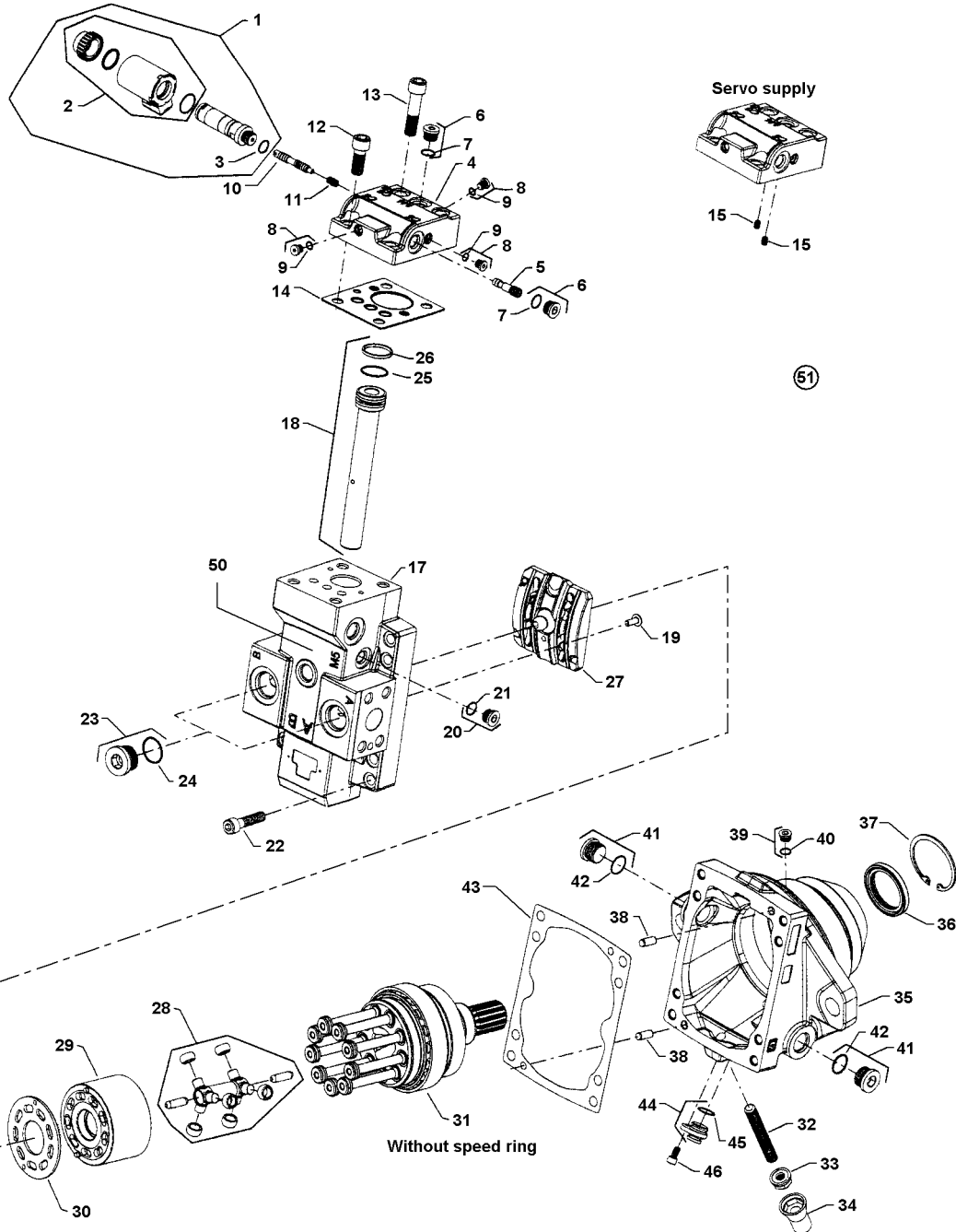
Item	Part No	Rem	Qty	Description	Code
1		A	1	Hydraulic motor (Page 184)	
			1	Hydraulic motor (Page 194)	
2			1	Hydraulic motor (Page 210)	
3	4812114684	A	1	Hydraulic hose	C
	4812114690		1	Hydraulic hose	
4	4812114685	A	1	Hydraulic hose	C
	4812114691		1	Hydraulic hose	
5	4812114686	A	1	Hydraulic hose	C
	4812114692		1	Hydraulic hose	
6	4812114671		1	Hydraulic hose	C
7	4812114670		1	Hydraulic hose	C
8	4812114672		1	Hydraulic hose	C
9	4812114673		1	Hydraulic hose	C
10	4811000416		1	Straight connector orfs	D
11	4812117326		1	Cable tie holder	D
12	4700904229		7	Steel plain washer 8,4x16x1,5	C
13	4700500019		1	Hexagon head screw M8x16H 8,8	C
14	4812117915		2	Bracket	
15	4700500022		6	Screw M8x30H 8.8	C
16	4812112304		4	Hose holder	
17	4700791860		24	Stud	D
18	4700902286		24	Hexagon lock nut with flange	C
19	4812113963		2	Bracket	
20	4700904230		4	Steel plain washer	C
21	4700500028		8	Screw	C
22	4812113569		2	Bracket	
23	4812112306		4	Hose holder	
24	4700904557		4	Steel plain washer	C
25	4812117325		1	Cable tie	
26	4812117015		2	Hose holder	
27	4812116857		2	Hose holder	

A) Compaction data high, option.



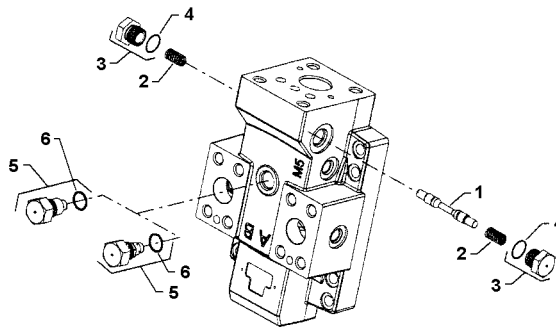
Hydraulic motor

Item	Part No	Rem Qty	Description	Code
1	4812112200	1	Drum motor (Page 212)	
2	4700160043	1	O-ring	D
3	4700904232	2	Washer	C
4	4700500093	2	Screw M16x40	C
5	4812115051	1	Straight connector orfs	
6	4700929226	4	Flange half	C
7	4700904004	2	O-ring	C
8	4700904637	8	Washer	C
9	4700500030	8	Screw M10x035H 8.8 A3K	C



4812112200 Drum motor

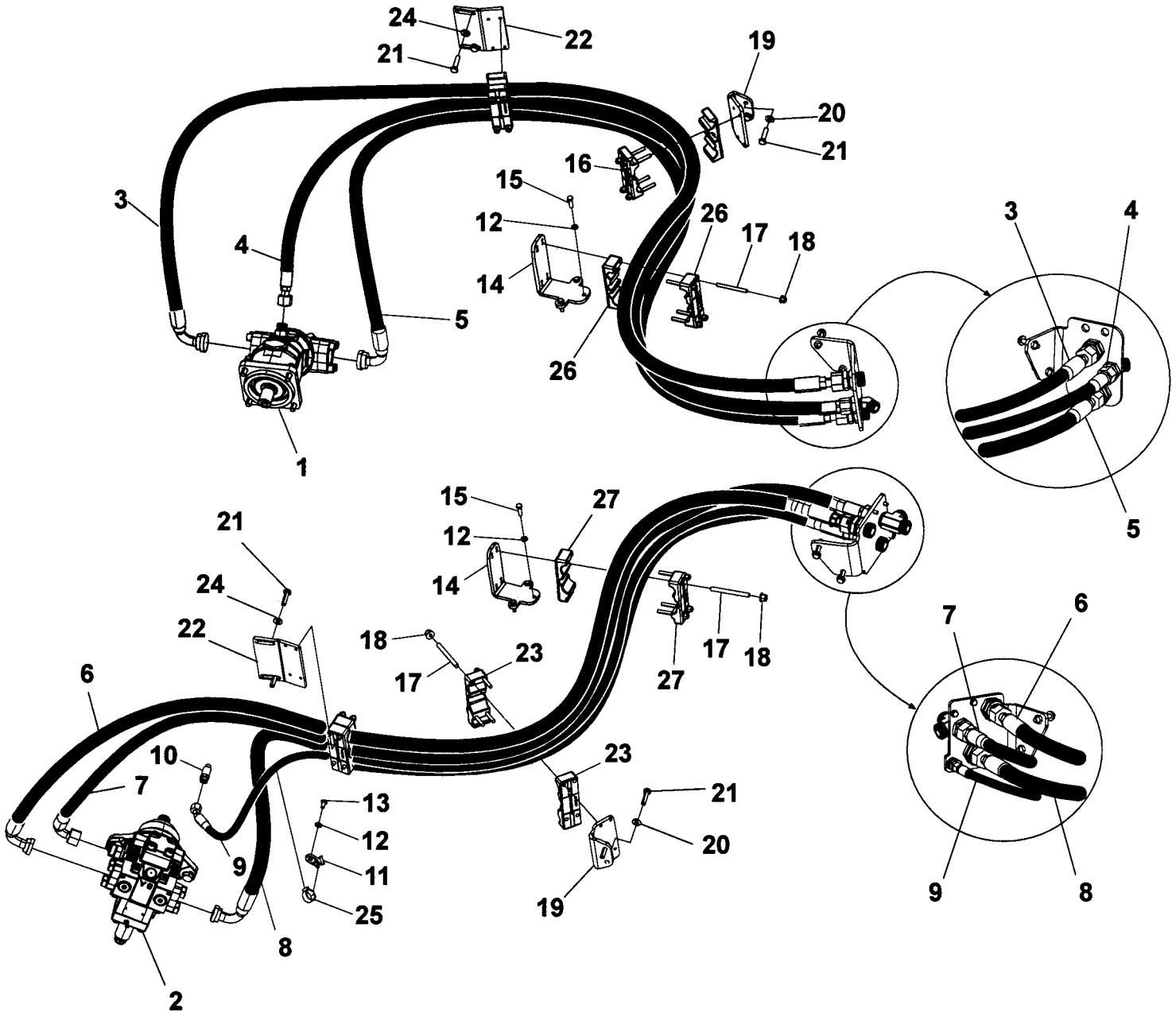
Item	Part No	Rem Qty	Description	Code
1	4812156997	1	Solenoid, on/off 12V	
2	4812156998	1	Coil kit 12V	
3		1	O-ring	
4		1	Control Housing, 2 positon	
5	4812156999	1	Shuttle valve assembly	C
6		2	Plug assembly	
7		2	O-ring	
8		3	Plug assembly	
9		3	O-ring	
10	4812157051	1	Spool	
11	4812157052	1	Spring	
12		2	Screw	
13		2	Screw	
14	4812157053	1	Control seal	
15		1	Orifice plug, 1.2 mm	
		1	Orifice plug, 1.2 mm	
17		1	End cap	
18	4812157054	1	Servo piston	
19		1	Button head screw	
20		1	Plug assembly	
21		1	O-ring	
22		8	Screw	
23		2	Plug assembly	
24		2	O-ring	
25		1	O-ring	
26		1	Piston ring	
27	4812157055	1	Valve segment assembly	C
28		1	Synch shaft assembly	
29		1	Cylinder block assembly	
30	4812157056	1	Bearing plate	
31		1	Shaft assembly, 14 tooth, DIN	
32		1	Set screw, 0-19cc, M12x65mm	
33	4700909525	1	Seal nut	
34	4700902996	1	Plastic cap, green	
35		1	Housing, cartridge with speed sensor port	
36	4812157058	1	Lip seal	
37	4812157059	1	Retaining ring	
38		2	Pin	
39		1	Plug assembly	
40		1	O-ring	
41		2	Plug assembly	
42		2	O-ring	
43	4812157064	1	Gasket	
44		1	PPU Plug assembly	
45	4812157057	1	O-ring	
46		1	Screw	
50		1	Loop flushing (Page 214)	
51	4812158154	1	Seal kit, cpl	



Loop flushing

Item	Part No	Rem Qty	Description	Code
1	4812157060	1	Spool	
2	4812157061	2	Spring	
3		2	Plug assembly	
4		2	O-ring	
5	4812157062	1	Loop flushing relief valve 10 l/min	
6	4812157063	1	O-ring	

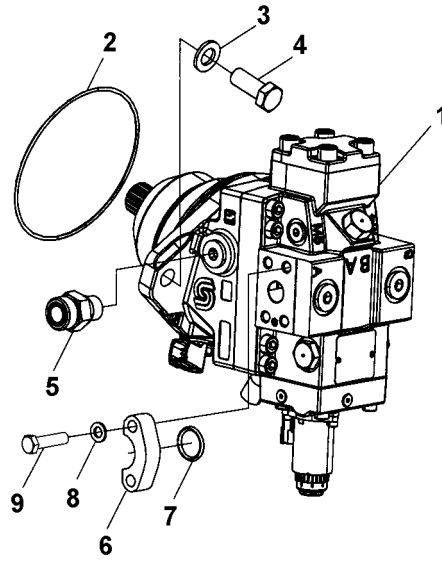
Hydraulic system, drum Anti-spin system



Hydraulic system, drum Anti-spin system

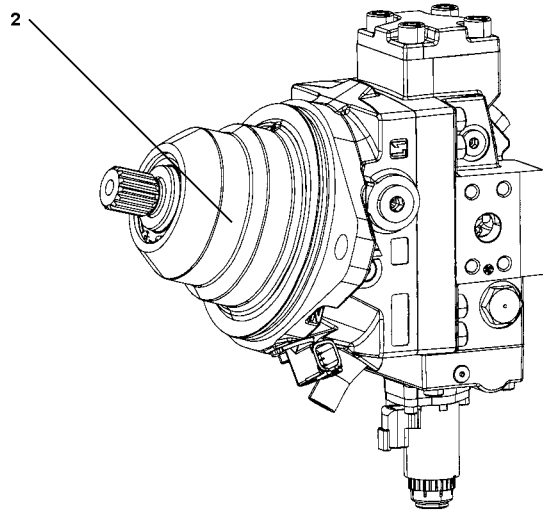
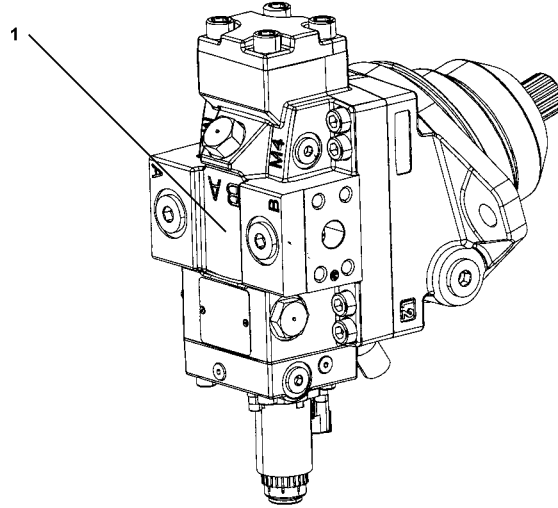
Item	Part No	Rem	Qty	Description	Code
1		A	1	Hydraulic motor (Page 184)	
			1	Hydraulic motor (Page 194)	
2			1	Hydraulic motor (Page 218)	
3	4812114684	A	1	Hydraulic hose	C
	4812114690		1	Hydraulic hose	
4	4812114685	A	1	Hydraulic hose	C
	4812114691		1	Hydraulic hose	
5	4812114686	A	1	Hydraulic hose	C
	4812114692		1	Hydraulic hose	
6	4812114671		1	Hydraulic hose	C
7	4812114670		1	Hydraulic hose	C
8	4812114672		1	Hydraulic hose	C
9	4812114673		1	Hydraulic hose	C
10	4811000416		1	Straight connector orfs	D
11	4812117326		1	Cable tie holder	D
12	4700904229		7	Steel plain washer 8,4x16x1,5	C
13	4700500019		1	Hexagon head screw M8x16H 8,8	C
14	4812117915		2	Bracket	
15	4700500022		6	Screw M8x30H 8.8	C
16	4812112304		4	Hose holder	
17	4700791860		24	Stud	D
18	4700902286		24	Hexagon lock nut with flange	C
19	4812113963		2	Bracket	
20	4700904230		4	Steel plain washer	C
21	4700500028		8	Screw	C
22	4812113569		2	Bracket	
23	4812112306		4	Hose holder	
24	4700904557		4	Steel plain washer	C
25	4812117325		1	Cable tie	
26	4812117015		2	Hose holder	
27	4812116857		2	Hose holder	

A) Compaction data high, option.



Hydraulic motor

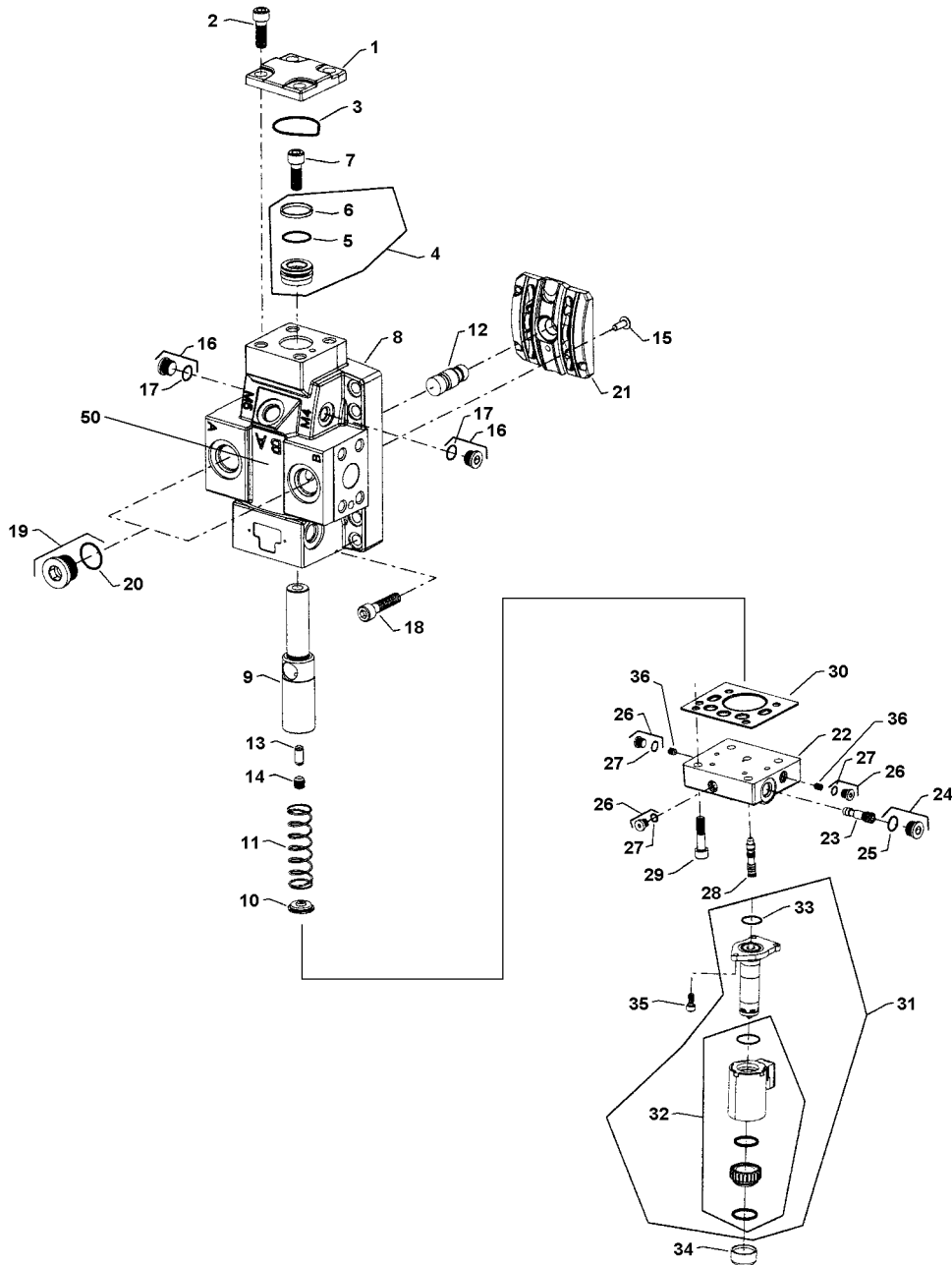
Item	Part No	Rem Qty	Description	Code
1	4812112202	1	Drum motor (Page 220)	C
2	4700160043	1	O-ring	D
3	4700904232	2	Washer	C
4	4700500093	2	Screw M16x40	C
5	4812115051	1	Straight connector orfs	
6	4700929226	4	Flange half	C
7	4700904004	2	O-ring	C
8	4700904637	8	Washer	C
9	4700500030	8	Screw M10x035H 8.8 A3K	C



4812112202 Drum motor

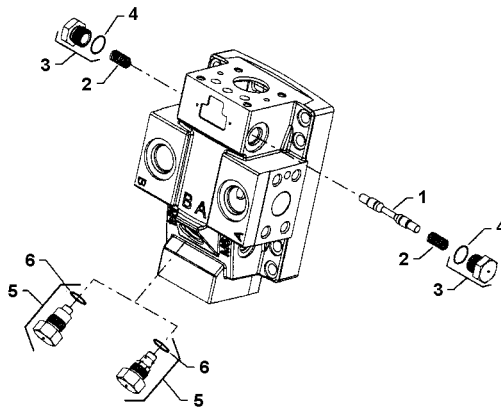
Item	Part No	Rem Qty	Description	Code
1		1	Drum motor. Front section (Page 222)	
2		1	Drum motor. Rear section (Page 226)	
3	4812158154	1	Seal kit, cpl	

Drum motor. Front section



Drum motor. Front section

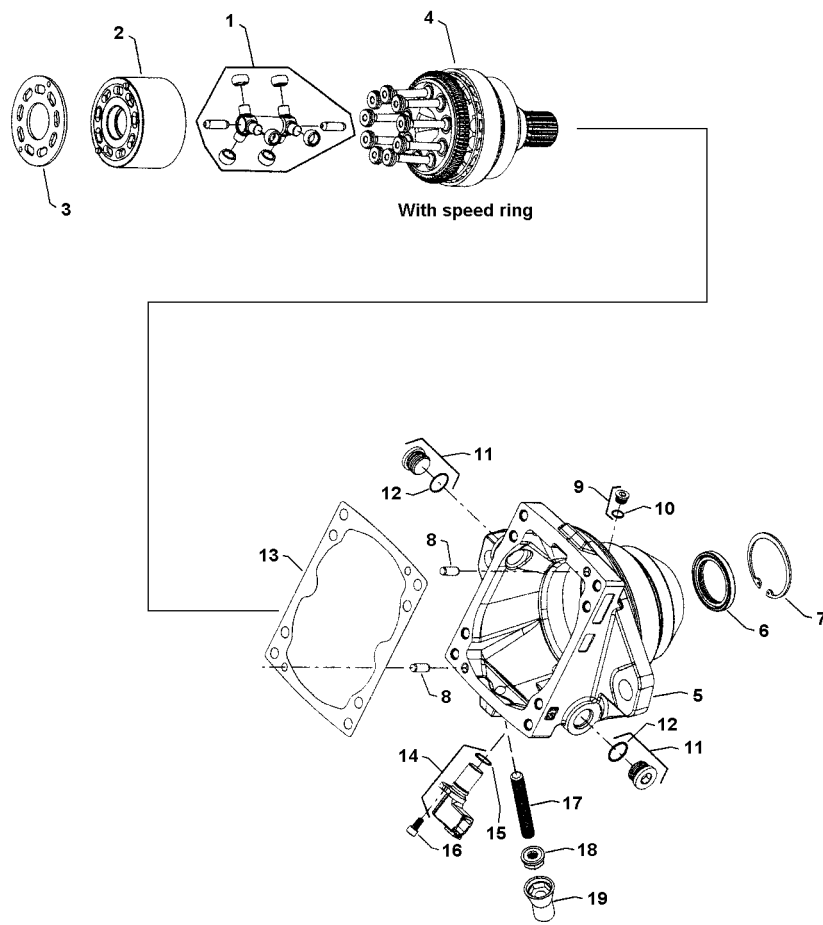
Item	Part No	Rem Qty	Description	Code
1		1	Servo piston cover	
2		4	Screw	
3	4812157065	1	O-ring	
4		1	Servo piston assembly	
5	4812157066	1	O-ring	
6	4812157067	1	Piston ring	
7		1	Screw	
8		1	End cap	
9		1	Servo piston	
10		1	Spring guide	
11		1	Spring	
12		1	Setting lug	
13	4812157068	1	Setting lug pin	
14		1	Set screw	
15		1	Button head screw	
16		2	Plug assembly	
17		2	O-ring	
18		8	Screw	
19		2	Plug assembly	
20		2	O-ring	
21	4812157069	1	Valve segment assembly	C
22		1	Control housing, proportional	
23	4812156999	1	Shuttle valve assembly	C
24		1	Plug assembly	
25		1	O-ring	
26		3	Plug assembly	
27		3	O-ring	
28	4812157070	1	Spool	
29		4	Screw	
30		1	Control seal	
31	4812157071	1	Solenoid proportional valve 24V	
32	4812157072	1	Coil kit 24V	
33		1	O-ring	
34		1	Plastic cap	
35		3	Screw	
36		2	Orifice plug 1.2 mm	
50		1	Loop flushing (Page 224)	



Loop flushing

Item	Part No	Rem Qty	Description	Code
1	4812157060	1	Spool	
2	4812157061	2	Spring	
3		2	Plug assembly	
4		2	O-ring	
5	4812157062	1	Loop flushing relief valve 10 l/min	
6	4812157063	1	O-ring	

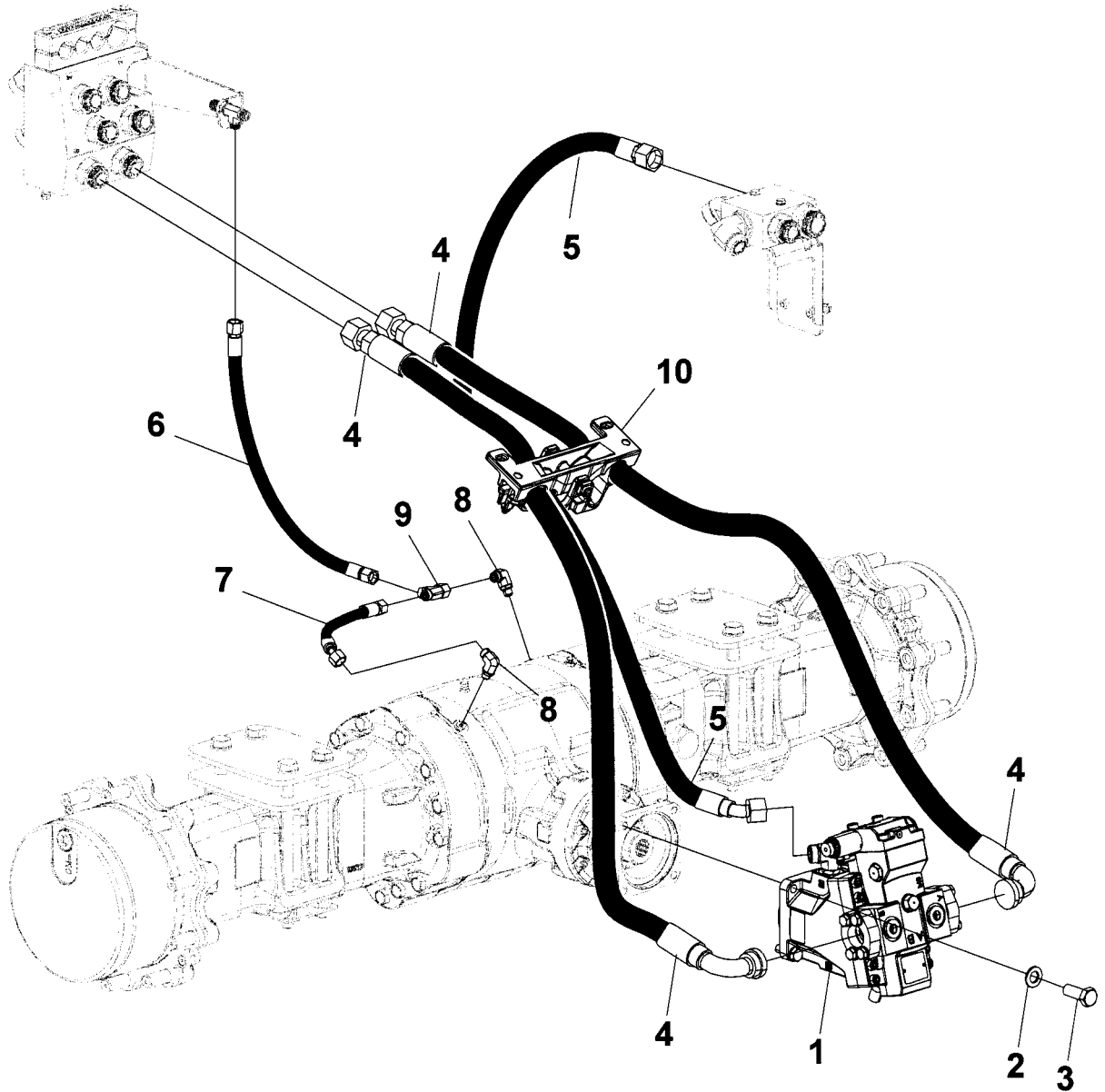
Drum motor. Rear section



Drum motor. Rear section

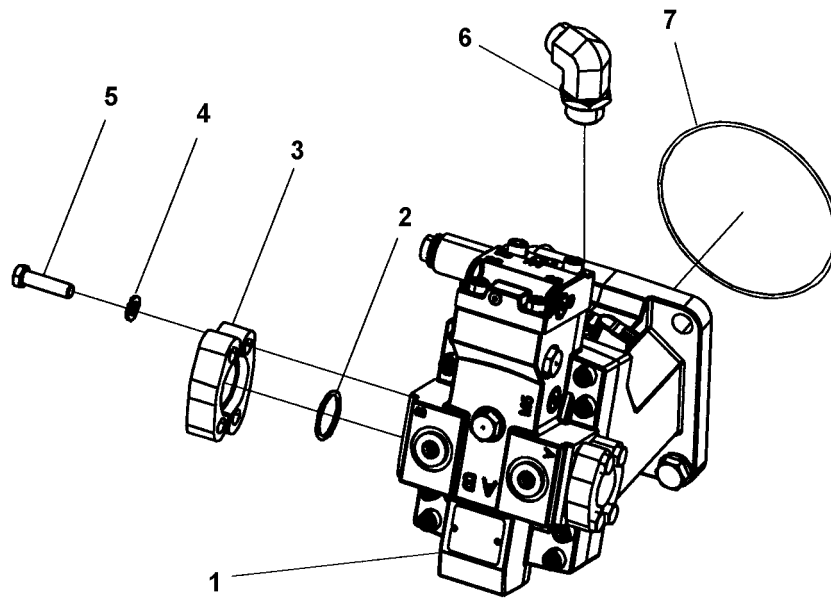
Item	Part No	Rem Qty	Description	Code
1		1	Synch shaft assembly	
2		1	Cylinder block assembly	
3	4812157056	1	Bearing plate	
4		1	Shaft assembly, 14 tooth, DIN, speed ring	
5		1	Housing, cartridge with speed sensor port	
6	4812157058	1	Lip seal	
7	4812157059	1	Retaining ring	
8		2	Pin	
9		1	Plug assembly	
10		1	O-ring	
11		2	Plug assembly	
12		2	O-ring	
13	4812157064	1	Gasket	
14	4812157073	1	Speed sensor	
15	4812157057	1	O-ring	
16		1	Screw	
17		1	Set screw, 0-19 cc, M12x65mm	
18	4700909525	1	Seal nut	
19	4700902996	1	Plastic cap, green	

Hydraulic system, rear axle Traction control, limited slip



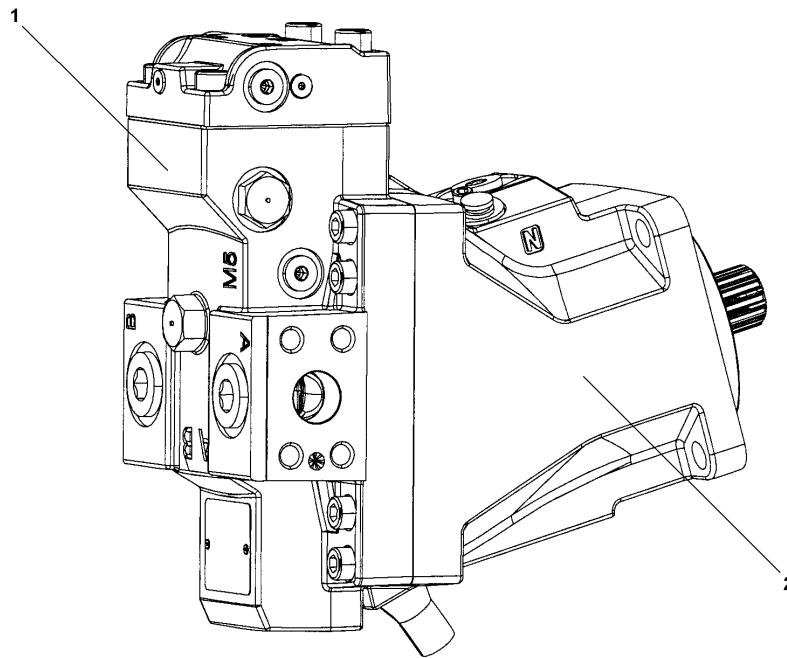
Hydraulic system, rear axle Traction control, limited slip

Item	Part No	Rem Qty	Description	Code
1		1	Hydraulic motor (Page 230)	
2	4700904231	4	Washer 13x24x2 300 HV	C
3	4700500194	4	Screw	C
4	4812114699	2	Hydraulic hose	
5	4811000230	1	Hydraulic hose	C
6	4811000228	1	Hydraulic hose	C
7	4811000229	1	Hydraulic hose	C
8	4700791846	2	Elbow 90, O-ring with swivel	C
9	4700791414	1	T-connection, O-ring with swivel	C
10		1	Hose holder (Page 238)	



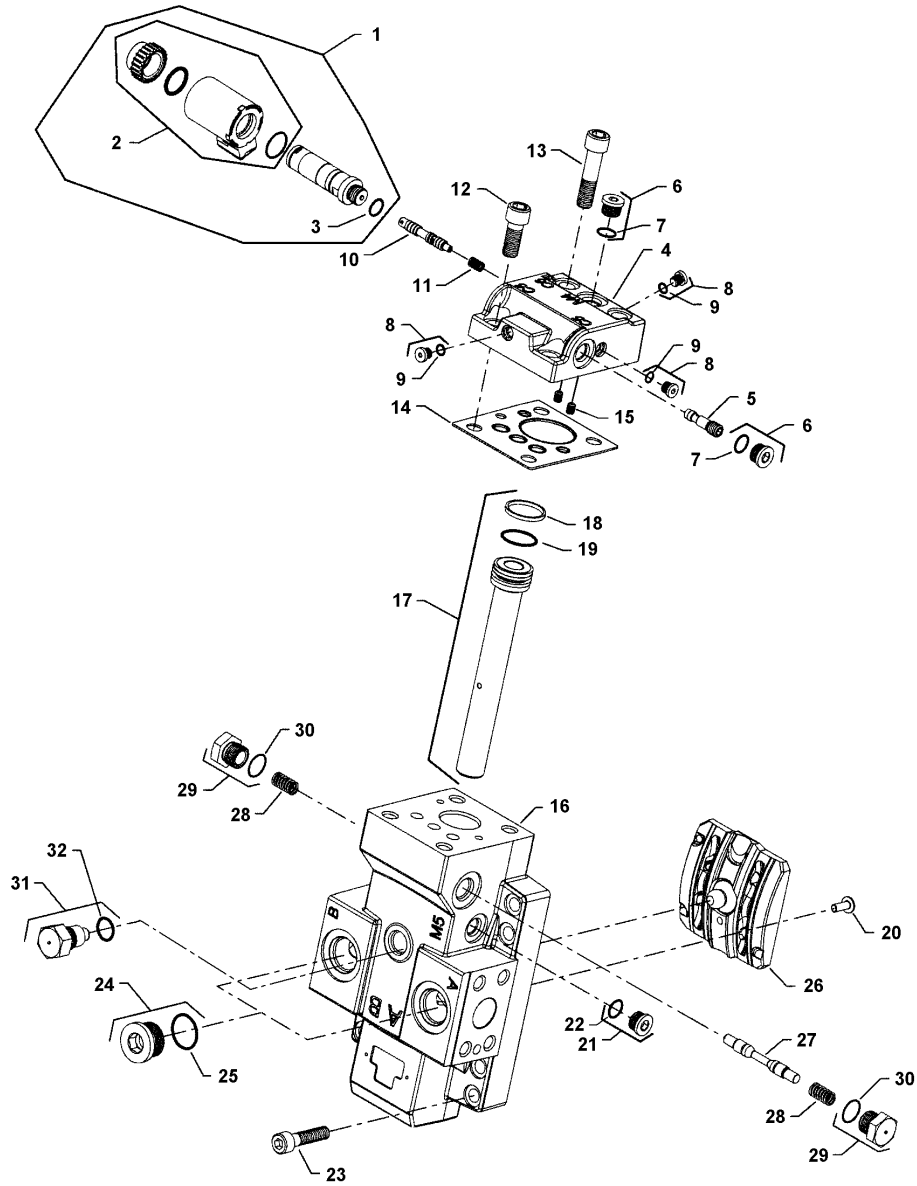
Hydraulic motor

Item	Part No	Rem Qty	Description	Code
1	4812112208	1	Rear axle motor (Page 232)	
2	4700904005	2	O-ring	B
3	4700923384	4	Flange half	C
4	4700904638	8	Washer 12x22x2	C
5	4700928791	8	Screw	D
6	4700791838	1	Elbow 90, O-ring with swivel	
7	4700160132	1	O-ring 124, 50x3, 00	B



4812112208 Rear axle motor

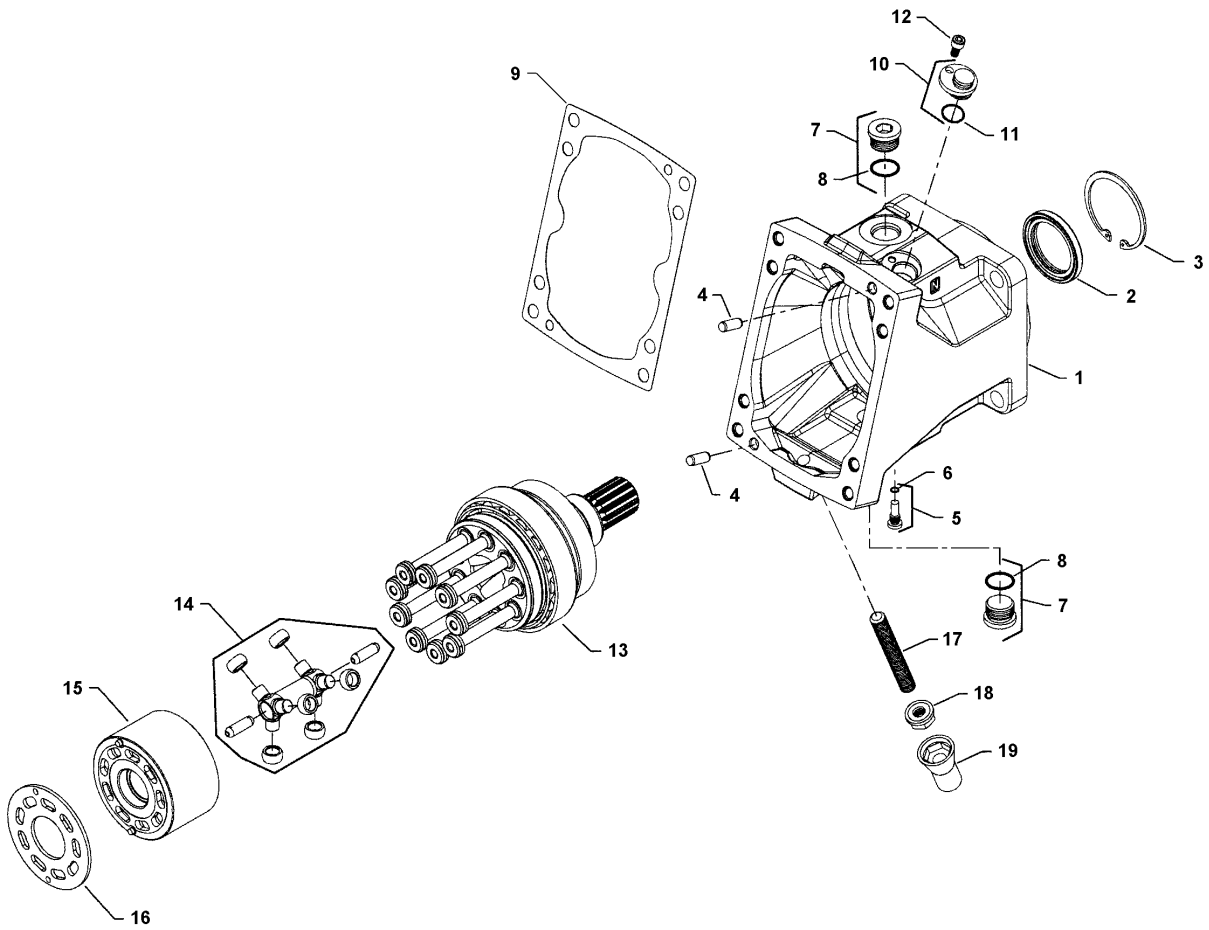
Item	Part No	Rem Qty	Description	Code
1		1	. Front section (Page 234)	
2		1	. Rear section (Page 236)	
3	4812158273	1	. Seal kit, cpl	



Front section

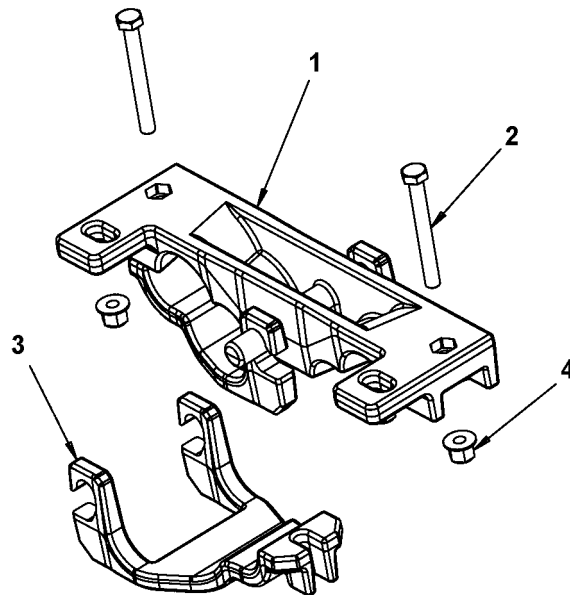
Item	Part No	Rem Qty	Description	Code
1	4812157074	1	. Solenoid, on/off 24V	
2	4812157075	1	. . Coil kit 24V	
3		1	. . O-ring	
4		1	. Control housing, 2 position	
5	4812156999	1	. Shuttle valve assembly	C
6		2	. Plug assy	
7		2	. . O-ring	
8		3	. Plug assy	
9		3	. . O-ring	
10	4812157051	1	. Spool	
11	4812157052	1	. Spring	
12		2	. Screw	
13		2	. Screw	
14	4812157053	1	. Control seal	
15		2	. Orifice plug	
16		1	. End cap	
17	4812158270	1	. Servo piston	
18		1	. . Piston ring	
19		1	. . O-ring	
20		1	. Button head screw	
21		1	. Plug assy	
22		1	. . O-ring	
23		8	. Screw	
24		2	. Plug assy	
25		2	. . O-ring	
26	4812158271	1	. Valve segment assembly	
27	4812157060	1	. Spool	
28	4812157061	2	. Spring	
29		2	. Plug assy	
30		2	. . O-ring	
31	4812157062	1	. Loop flushing relief valve 10 l/min	
32	4812157063	1	. . O-ring	

Rear section



Rear section

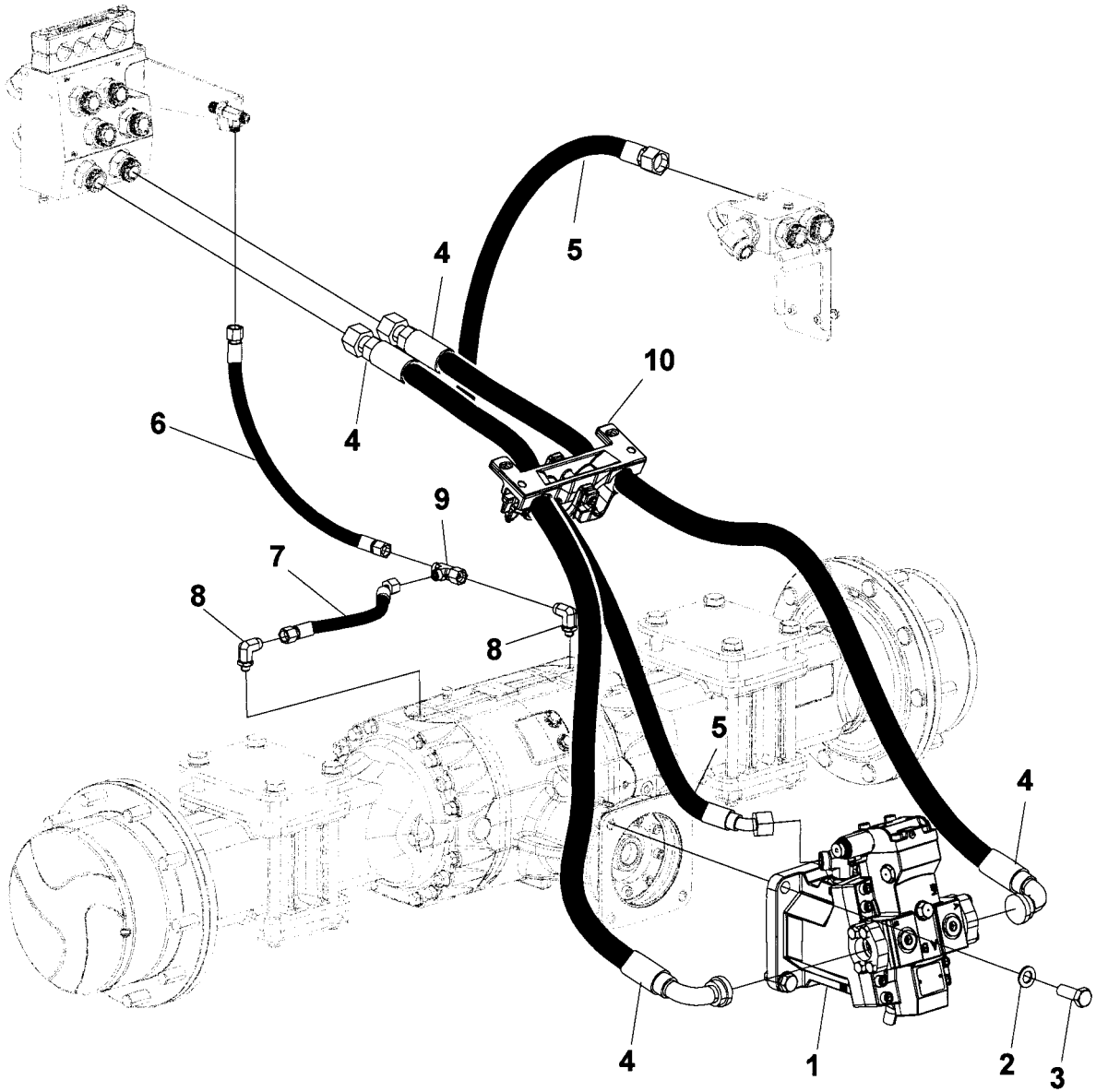
Item	Part No	Rem Qty	Description	Code
1		1	. Housing	
2	4812157058	1	. Lip seal	
3	4812157059	1	. Retaining ring	
4		2	. Pin	
5		1	. Shaft locating plug assy	
6		1	. . O-ring	
7		2	. Plug assy	
8		2	. . O-ring	
9	4812158274	1	. Gasket	
10		1	. PPU Plug assy	
11	4812157057	1	. . O-ring	
12		1	. Screw	
13		1	. Shaft assembly, 14 tooth	
14		1	. Synch shaft assembly	
15		1	. Cylinder block assy	
16	4812158272	1	. Bearing plate	
17		1	. Set screw	
18	4700909525	1	. Seal nut	
19	4700902996	1	. Plastic cap, green	



Hose holder

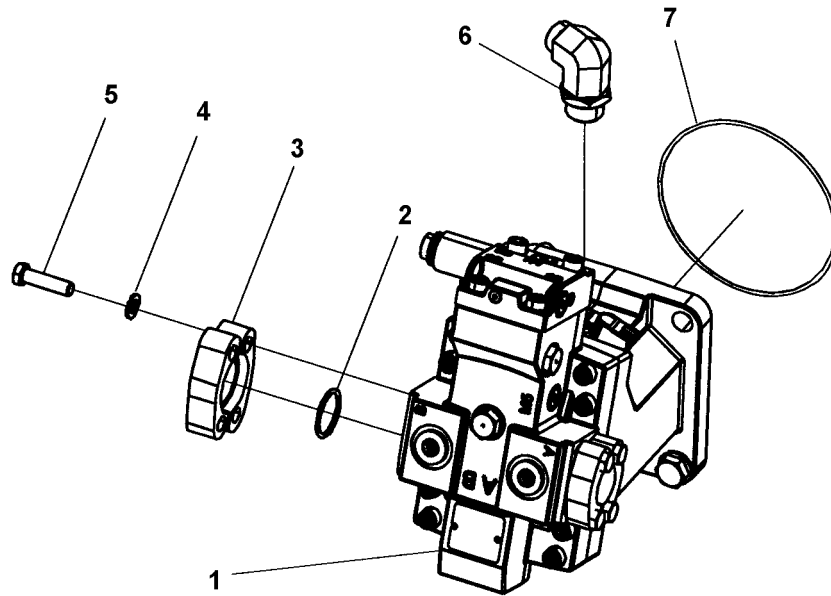
Item	Part No	Rem Qty	Description	Code
1	4812114652	1	Hose holder	C
2	4700500189	2	Screw	C
3	4812114623	2	Hose holder	
4	4700902286	4	Hexagon lock nut with flange	C

Hydraulic system, rear axle Traction control, no slip



Hydraulic system, rear axle Traction control, no slip

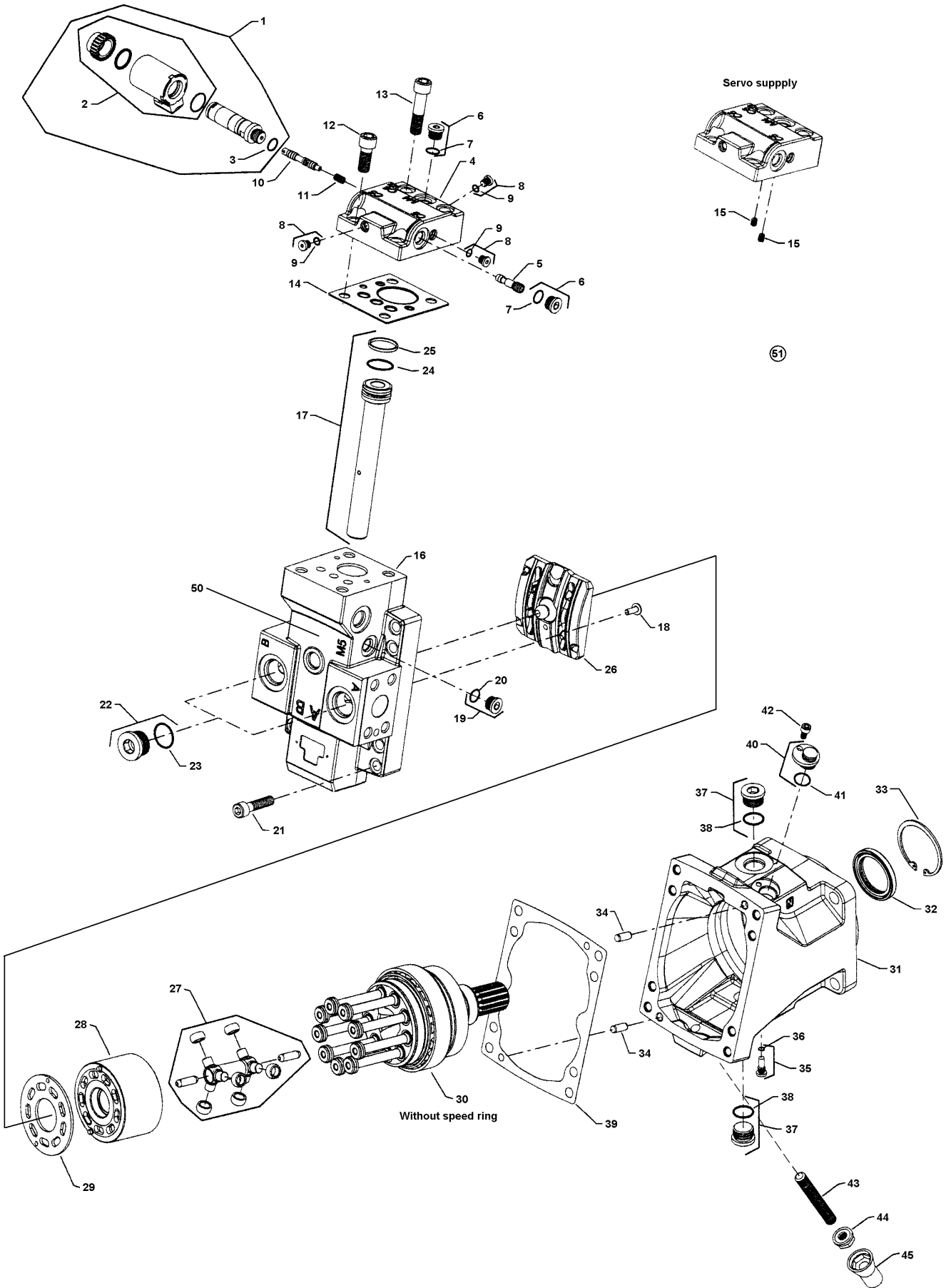
Item	Part No	Rem Qty	Description	Code
1		1	Hydraulic motor (Page 242)	
2	4700904793	4	Washer 19x34x3	C
3	4811000310	4	Hexagon head screw	C
4	4812114699	2	Hydraulic hose	
5	4811000230	1	Hydraulic hose	C
6	4811000228	1	Hydraulic hose	C
7	4811000229	1	Hydraulic hose	C
8	4811000086	2	Elbow 90 orfs	C
9	4700791414	1	T-connection, O-ring with swivel	C
10		1	Hose holder (Page 238)	



Hydraulic motor

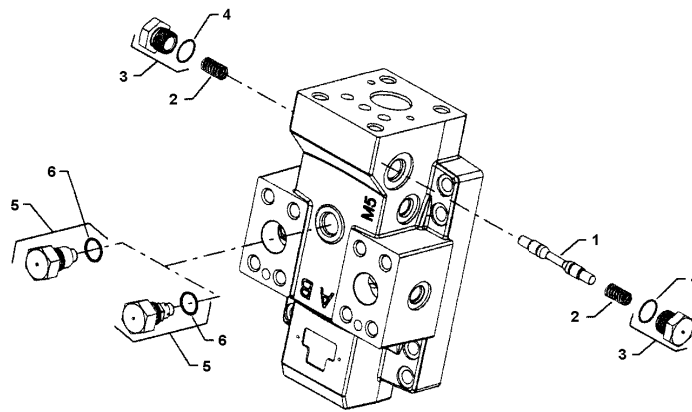
Item	Part No	Rem Qty	Description	Code
1	4812112211	1	Rear axle motor (Page 244)	
2	4700904005	2	O-ring	B
3	4700923384	4	Flange half	C
4	4700904638	8	Washer 12x22x2	C
5	4700928791	8	Screw	D
6	4700791231	1	Elbow 90°	D
7	4700160043	1	O-ring	D

4812112211 Rear axle motor



4812112211 Rear axle motor

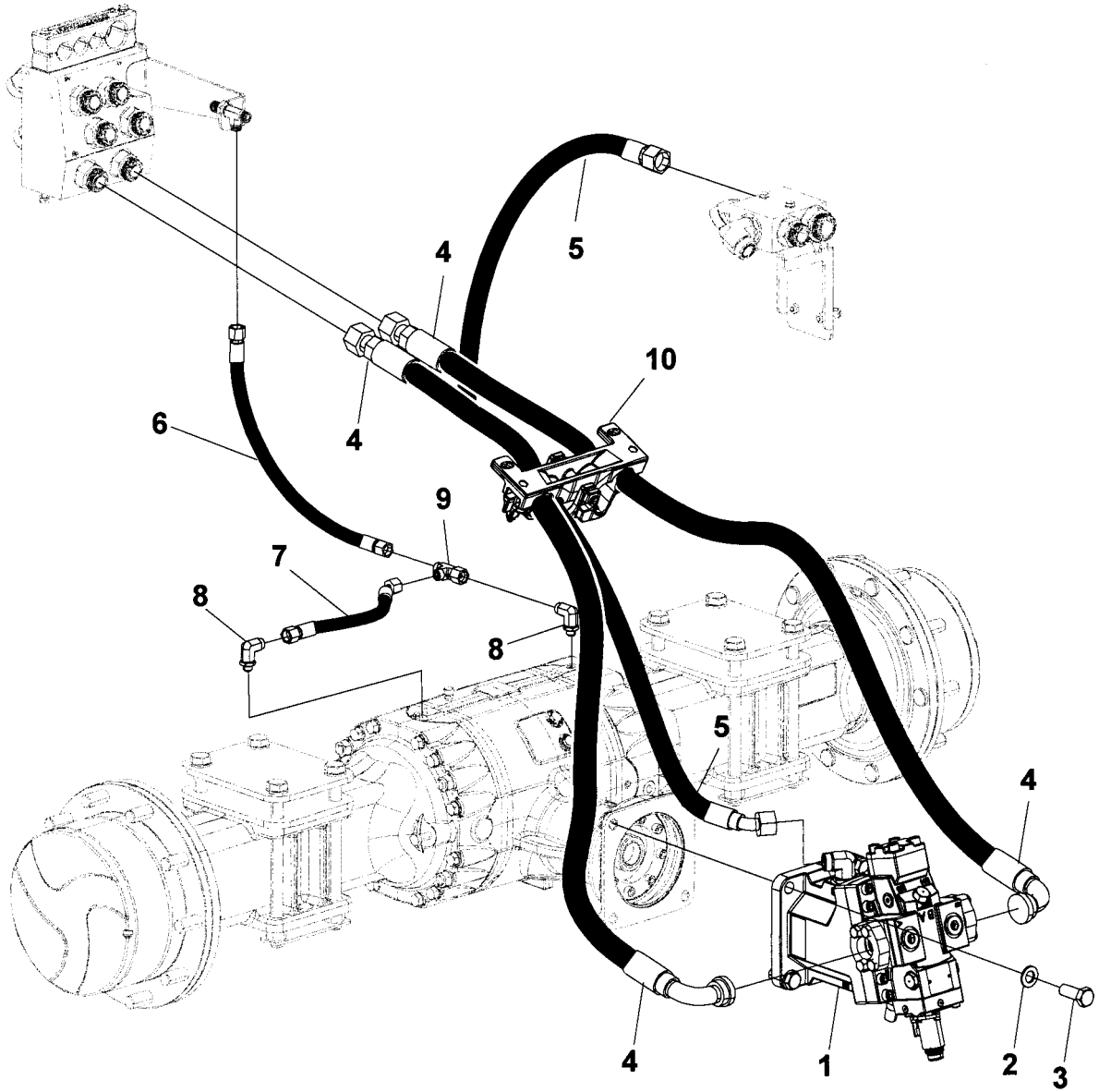
Item	Part No	Rem Qty	Description	Code
1	4812157074	1	Solenoid, on/off 24V	
2	4812157075	1	Coil kit 24V	
3		1	O-ring	
4		1	Control housing, 2 position	
5	4812156999	1	Shuttle valve assembly	C
6		2	Plug assembly	
7		2	O-ring	
8		3	Plug assembly	
9		3	O-ring	
10	4812157051	1	Spool	
11	4812157052	1	Spring	
12		2	Screw	
13		2	Screw	
14	4812157053	1	Control seal	
15		2	Orifice plug, 1.2 mm	
16		1	End cap	
17	4812157076	1	Servo piston	
18		1	Button head screw	
19		1	Plug assembly	
20		1	O-ring	
21		8	Screw	
22		2	Plug assembly	
23		2	O-ring	
24		1	O-ring	
25		1	Piston ring	
26	4812157077	1	Valve segment assembly	C
27		1	Synch shaft assembly	
28		1	Cylinder block assembly	
29	4700902930	1	Bearing plate	
30		1	Shaft assembly, 13 tooth, 8/12 pitch	
31		1	Housing, SAE flange with speed sensor port	
32	4700945757	1	Shaft seal 55x70x7	
33	4812157078	1	Retaining ring	
34		2	Pin	
35		1	Shaft locating plug assembly	
36		1	O-ring	
37		2	Plug assembly	
38		2	O-ring	
39	4812157079	1	Gasket	
40		1	PPU Plug assembly	
41	4812157057	1	O-ring	
42		1	Screw	
43		1	Set screw, 32-60cc, M12x90mm	
44	4700909525	1	Seal nut	
45	4700902996	1	Plastic cap, green	
50		1	Loop flusing (Page 246)	
51	4812158153	1	Seal kit,cpl	



Loop flusing

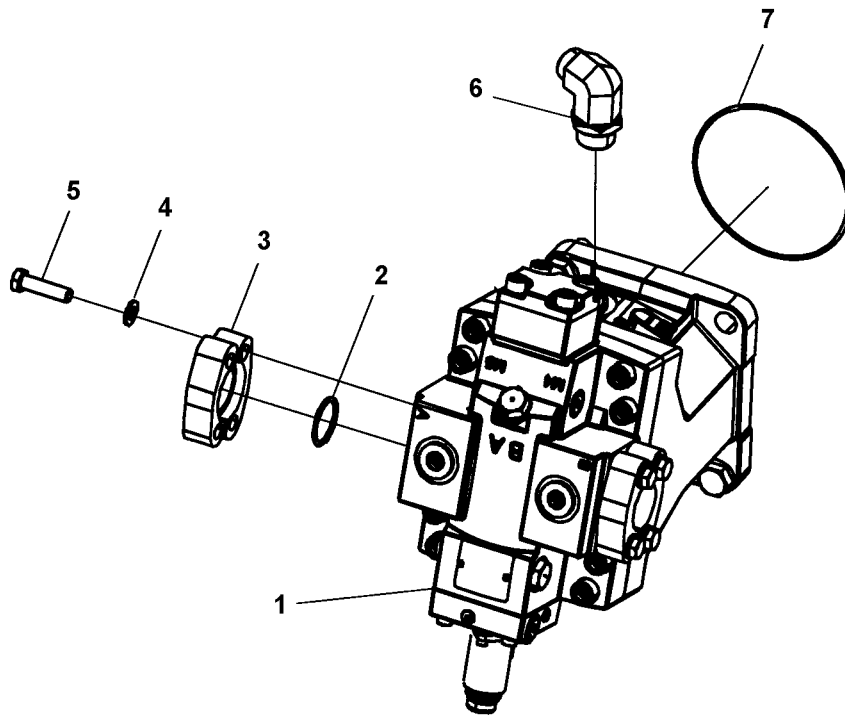
Item	Part No	Rem Qty	Description	Code
1	4812157060	1	Spool	
2	4812157061	2	Spring	
3		2	Plug assembly	
4		2	O-ring	
5	4812157062	1	Loop flushing relief valve 10 l/min	
6	4812157063	1	O-ring	

Hydraulic system, rear axle Anti-spin system



Hydraulic system, rear axle Anti-spin system

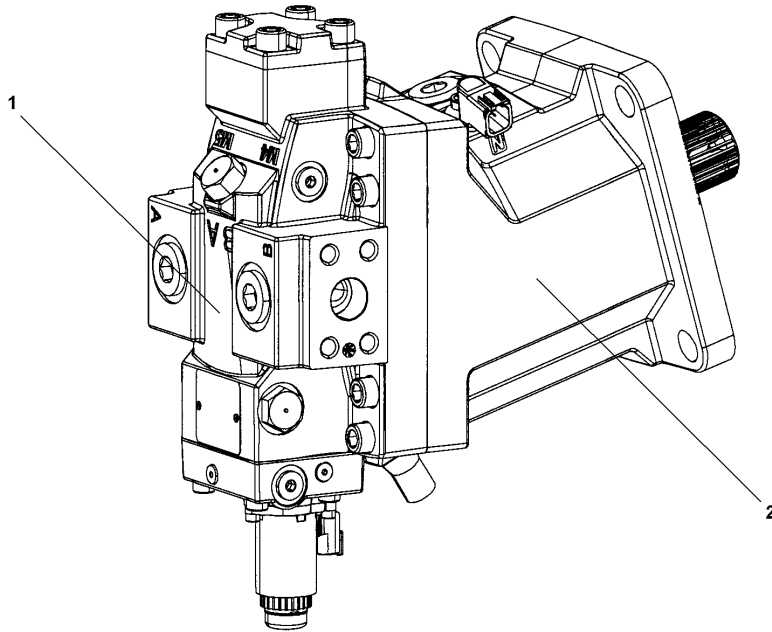
Item	Part No	Rem Qty	Description	Code
1		1	Hydraulic motor (Page 250)	
2	4700904793	4	Washer 19x34x3	C
3	4811000310	4	Hexagon head screw	C
4	4812114699	2	Hydraulic hose	
5	4811000230	1	Hydraulic hose	C
6	4811000228	1	Hydraulic hose	C
7	4811000229	1	Hydraulic hose	C
8	4811000086	2	Elbow 90 orfs	C
9	4700791414	1	T-connection, O-ring with swivel	C
10		1	Hose holder (Page 238)	



Hydraulic motor

Item	Part No	Rem Qty	Description	Code
1	4812112210	1	Rear axle motor (Page 252)	
2	4700904005	2	O-ring	B
3	4700923384	4	Flange half	C
4	4700904638	8	Washer 12x22x2	C
5	4700928791	8	Screw	D
6	4700791231	1	Elbow 90°	D
7	4700160043	1	O-ring	D

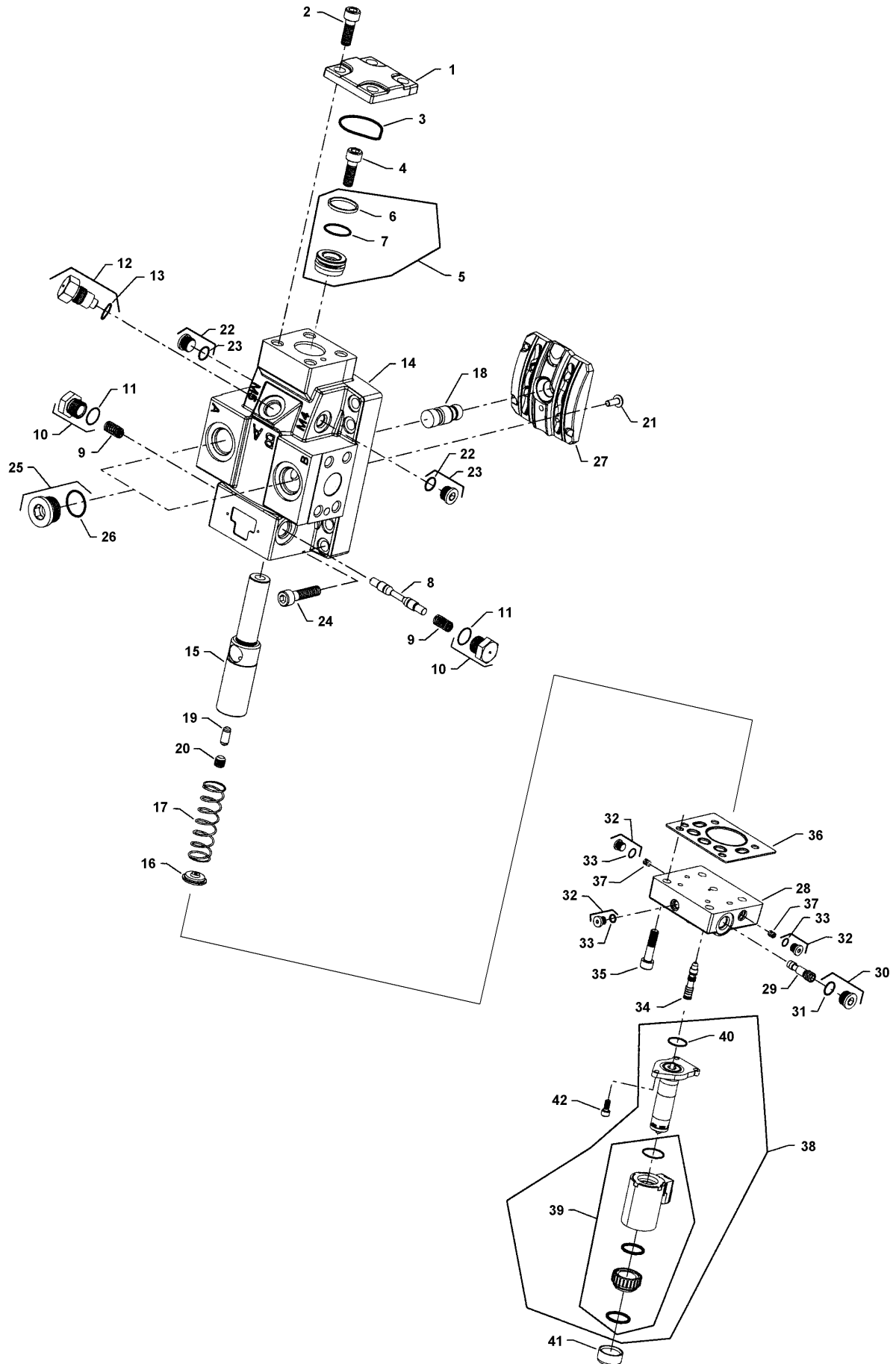
4812112210 Rear axle motor



4812112210 Rear axle motor

Item	Part No	Rem Qty	Description	Code
1		1	. Front section (Page 254)	
2		1	. Rear section (Page 256)	
3	4812158153	1	. Seal kit,cpl	

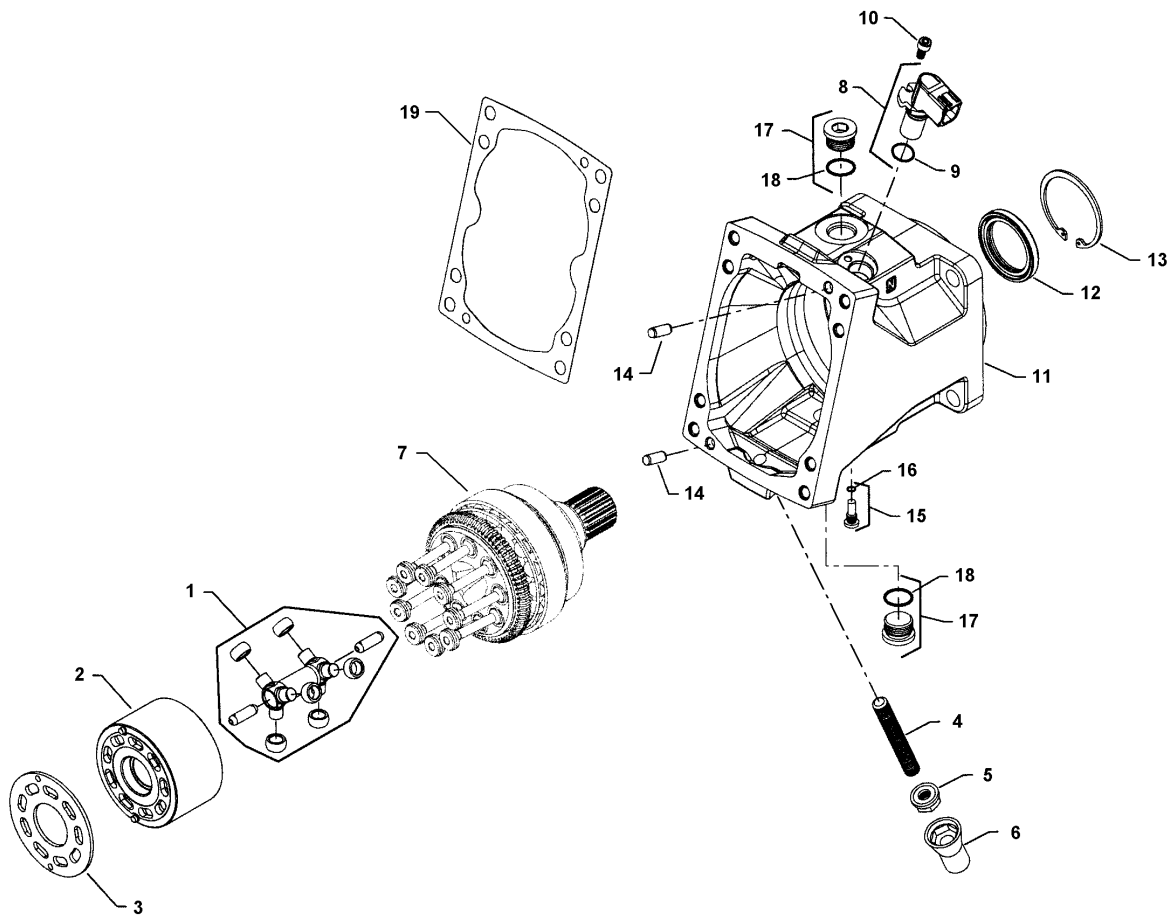
Front section



Front section

Item	Part No	Rem Qty	Description	Code
1		1	. Servo piston cover	
2		4	. Screw	
3	4812157065	1	. O-ring	
4		1	. Screw	
5	4812158266	1	. Servo piston assy	
6		1	. . O-ring	
7		1	. . Piston ring	
8	4812157060	1	. Spool	
9	4812157061	2	. Spring	
10		2	. Plug assy	
11		2	. . O-ring	
12	4812157062	1	. Loop flushing relief valve 10 l/min	
13	4812157063	1	. . O-ring	
14		1	. End cap	
15		1	. Servo piston	
16		1	. Spring guide	
17		1	. Spring	
18		1	. Setting lug	
19		1	. Setting lug pin	
20		1	. Set screw	
21		1	. Button head screw	
22		2	. Plug assy	
23		2	. . O-ring	
24		8	. Screw	
25		2	. Plug assy	
26		2	. . O-ring	
27	4812158265	1	. Valve segment assembly	
28		1	. Control housing	
29	4812156999	1	. Shuttle valve assembly	C
30		1	. Plug assy	
31		1	. . O-ring	
32		3	. Plug assy	
33		3	. . O-ring	
34	4812157070	1	. Spool	
35		4	. Screw	
36	4812157080	1	. Control seal	
37		2	. Orifice plug, 1,2 mm	
38	4812157071	1	. Solenoid proportional valve 24V	
39	4812157072	1	. . Coil kit 24V	
40	4812157371	1	. . O-ring	
41		1	. Plastic cap	
42		3	. Screw	

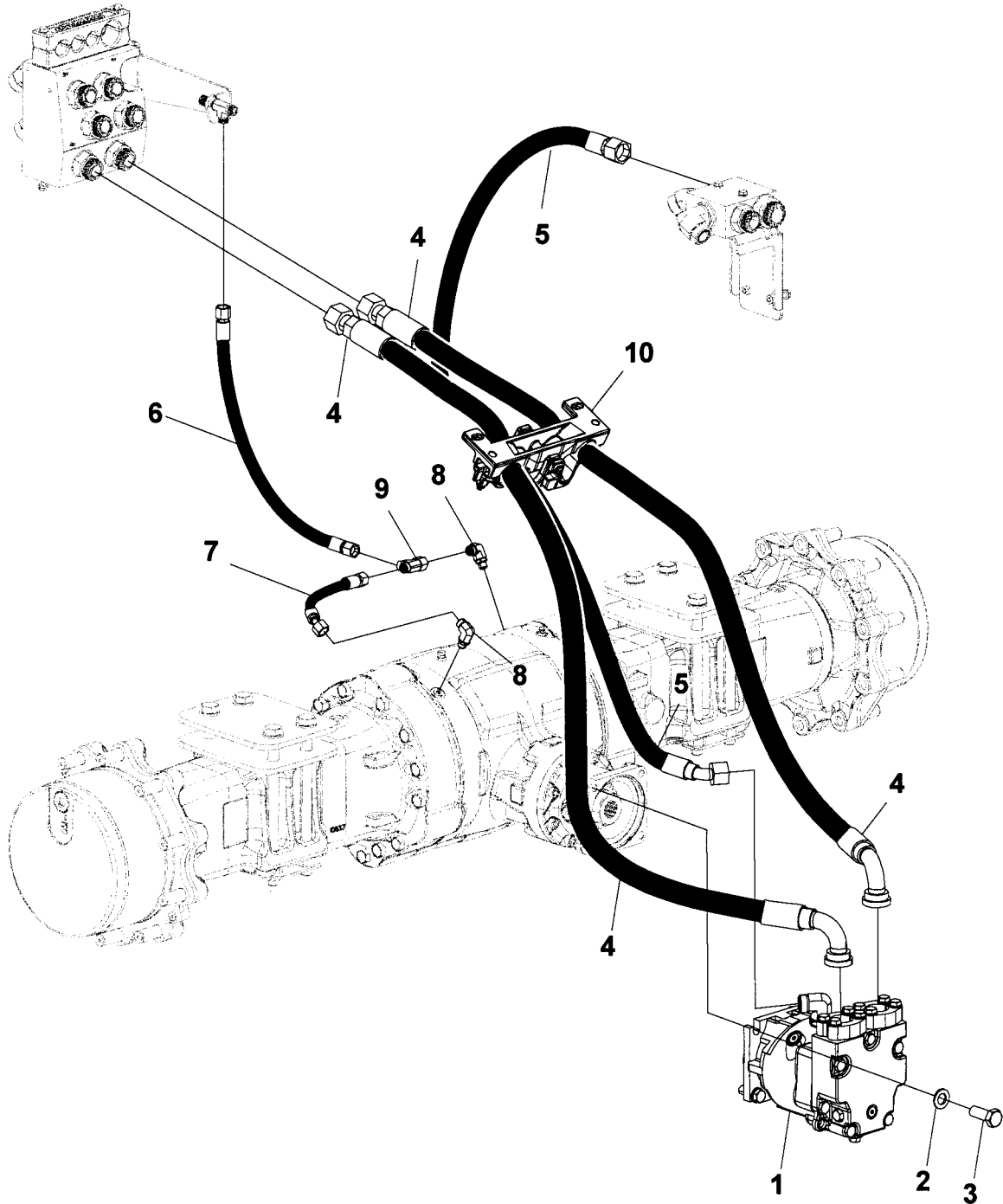
Rear section



Rear section

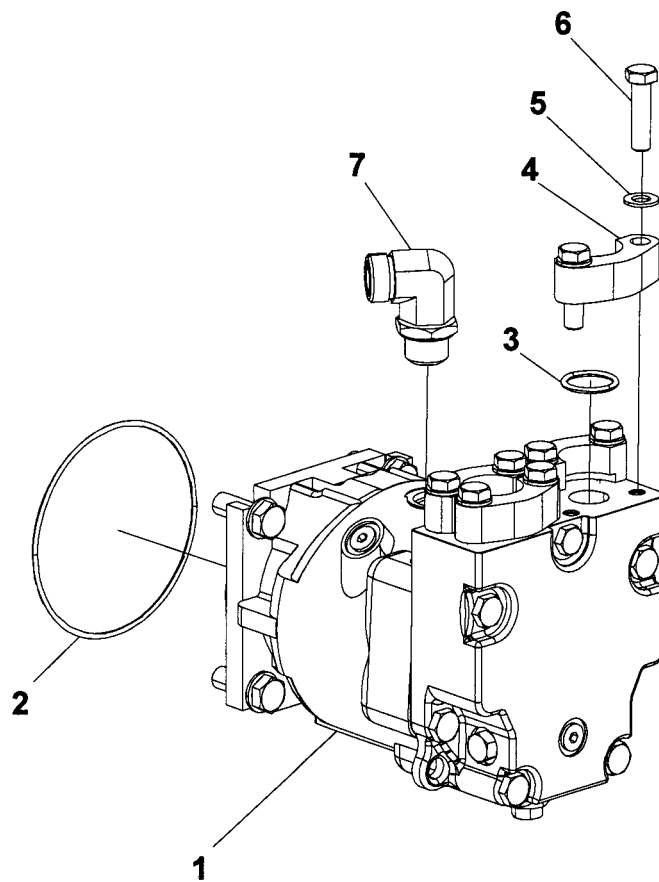
Item	Part No	Rem Qty	Description	Code
1		1	. Synch shaft assy	
2		1	. Cylinder block assy	
3	4700902930	1	. Bearing plate	
4		1	. Set screw	
5	4700909525	1	. Seal nut	
6	4700902996	1	. Plastic cap, green	
7		1	. Shaft assy, 13 tooth	
8	4812157073	1	. Speed sensor	
9	4812157057	1	. . O-ring	
10		1	. Screw	
11		1	. Housing	
12	4700945757	1	. Shaft seal 55x70x7	
13	4812157078	1	. Retaining ring	
14		2	. Pin	
15		1	. Shaft locating plug assy	
16		1	. . O-ring	
17		2	. Plug assy	
18		2	. . O-ring	
19	4812157079	1	. Gasket	

Hydraulic system, rear axle Dual speed



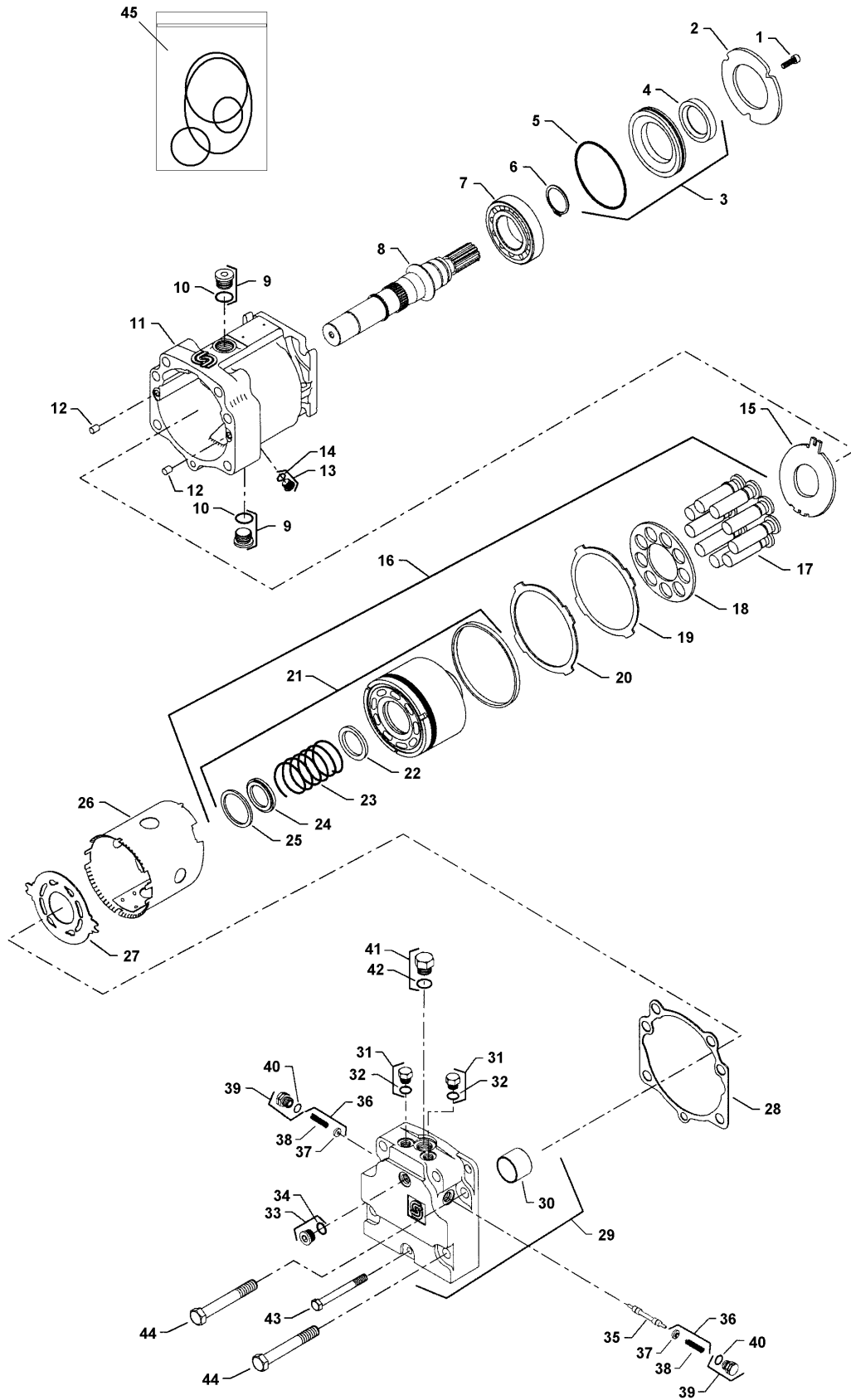
Hydraulic system, rear axle Dual speed

Item	Part No	Rem Qty	Description	Code
1		1	Hydraulic motor (Page 260)	
2	4700904231	4	Washer 13x24x2 300 HV	C
3	4700500194	4	Screw	C
4	4812114700	2	Hydraulic hose	
5	4811000230	1	Hydraulic hose	C
6	4811000228	1	Hydraulic hose	C
7	4812110229	1	Screw M12x50	C
8	4700791846	2	Elbow 90, O-ring with swivel	C
9	4700791414	1	T-connection, O-ring with swivel	C
10		1	Hose holder (Page 238)	



Hydraulic motor

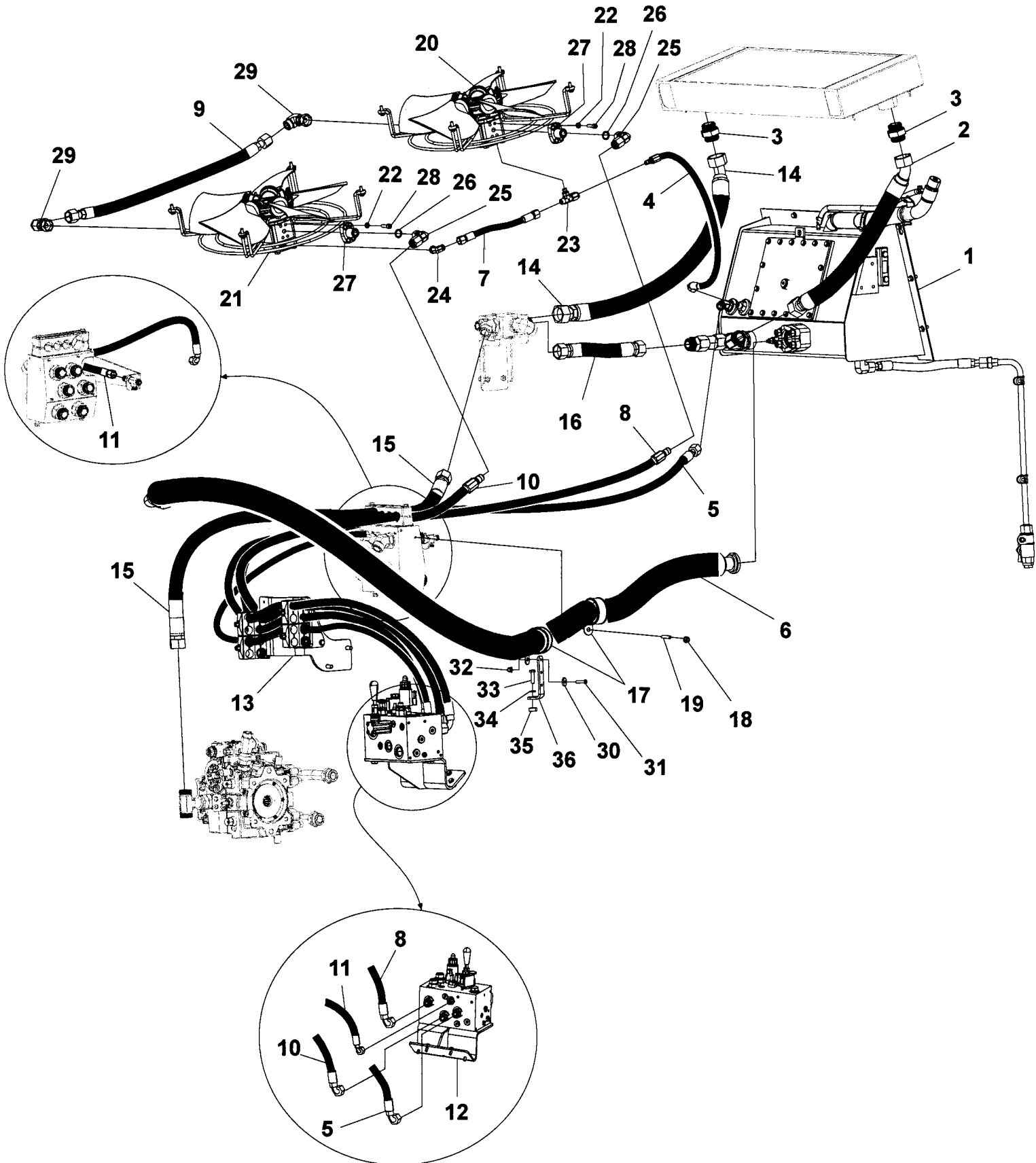
Item	Part No	Rem Qty	Description	Code
1	4812112207	1	Axle motor (Page 262)	
2	4700160132	1	O-ring 124, 50x3, 00	B
3	4700904005	2	O-ring	B
4	4700923384	4	Flange half	C
5	4700904638	8	Washer 12x22x2	C
6	4700928791	8	Screw	D
7	4700791231	1	Elbow 90°	D



4812112207 Axle motor

Item	Part No	Rem Qty	Description	Code
	4812112207	1	Axle motor (Page 262)	
1		3	. Screw	
2		1	. Retainer plate	
3		1	. Seal assy	
4	4700901327	1	. . Lip seal	
5	4700935633	1	. . O-ring	
6		1	. Retaining ring	
7	4700901465	1	. Roller bearing	
8	4812158456	1	. Shaft 14 tooth spline	
9		2	. Plug assy	
10		2	. . O-ring	
11		1	. Housing	
12		2	. Pin	
13		1	. Plug assy	
14		1	. . O-ring	
15		1	. Thrust plate	
16	4812158454	1	. Cylinder block kit	
17		9	. . Piston assy	
18		1	. . Slipper guide	
19		1	. . Slipper guide retainer	
20		1	. . Slipper guide retainer spacer	
21		1	. . Cylinder block assy	
22		1	. . . Spring seat	
23		1	. . . Cylinder block spring	
24		1	. . . Spring retainer	
25		1	. . . Retaining ring	
26		1	. Hold down tube	
27	4700935626	1	. Valve plate	
28	4812158453	1	. End cap gasket	
29		1	. End cap assy, twin ports	
30	4812158455	1	. . Journal bearing	
31		2	. . Plug assy	
32		2	. . . O-ring	
33		1	. . Plug assy	
34		1	. . . O-ring	
35		1	. Loop flushing spool	
36		2	. Spring guide assy	
37		2	. . Spring guide	
38		2	. . Spring	
39		2	. Plug assy	
40	4700923087	2	. . O-ring	C
41		1	. Plug assy	
42		1	. . O-ring	
43		1	. Screw	
44		4	. Screw	
45	4700937283	1	. Seal kit, cpl	

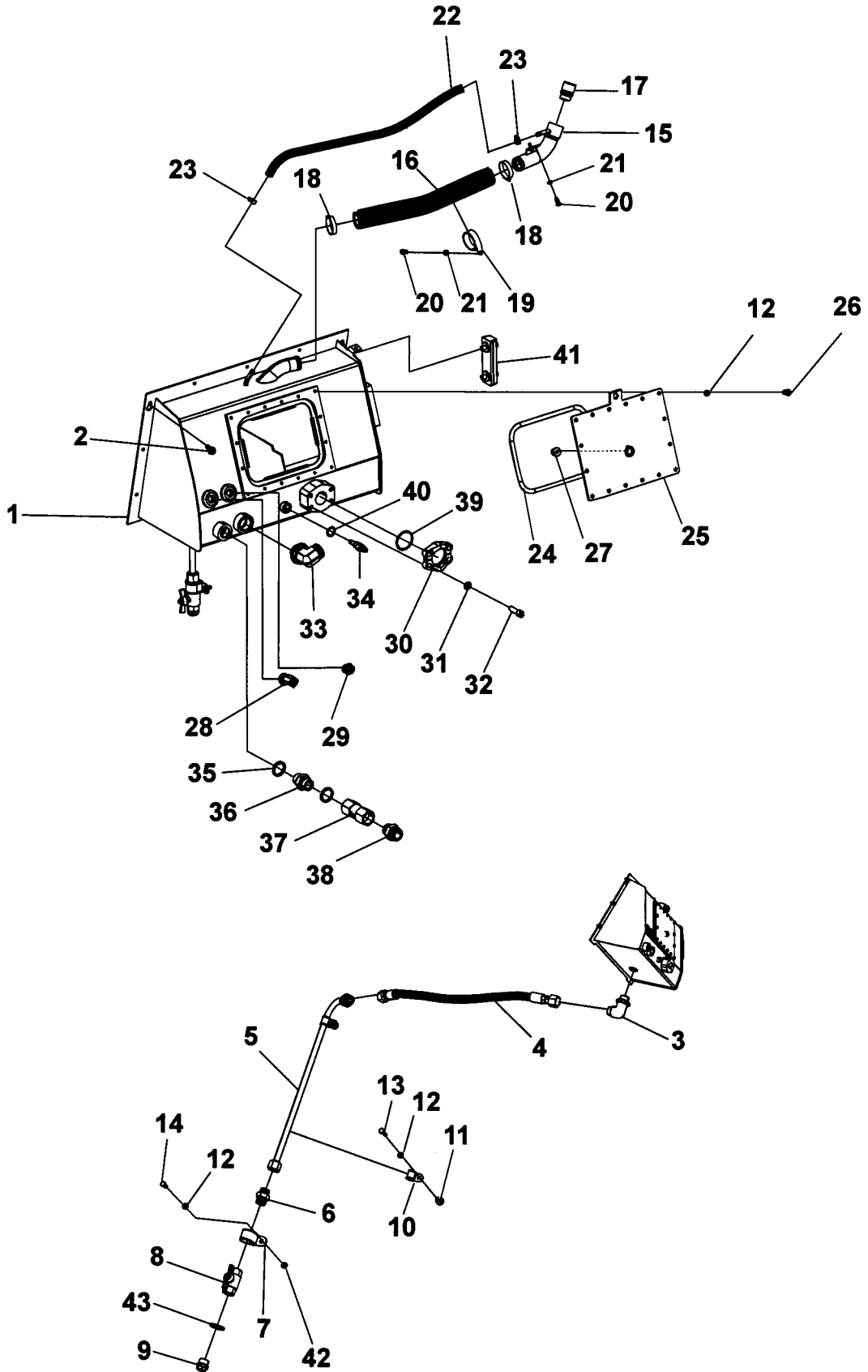
Hydraulic system, oil tank



Hydraulic system, oil tank

Item	Part No	Rem Qty	Description	Code
1		1	Hydraulic oil tank assembly (Page 266)	
2	4811000197	1	Hydraulic hose	C
3	4812112555	2	Straight connector orfs	D
4	4812117451	1	Hydraulic hose upto	C
5	4811000214	1	Hydraulic hose	C
6	4811000411	1	Hydraulic hose	
7	4811000209	1	Hydraulic hose	C
8	4812117448	1	Hydraulic hose upto	C
9	4812117702	1	Hydraulic hose	C
10	4812117449	1	Hydraulic hose upto	
11	4811000402	1	Hydraulic hose	
12		1	Hydraulic valve module (Page 268)	
13		1	Connector assy (Page 272)	
14	4811000198	1	Hydraulic hose	C
15	4811000403	1	Hydraulic hose	
16	4811000199	1	Hydraulic hose	C
17	4700903703	2	Hose clamp	D
18	4700902286	1	Hexagon lock nut with flange	C
19	4700903768	1	Threaded stud	C
20		1	Fan module (Page 274)	
21		1	Fan module (Page 278)	
22	4700904229	16	Steel plain washer 8,4x16x1,5	C
23	4812117436	1	Connector upto	
24	0570704101	1	Elbow 90°	
25	4812115064	2	Elbow connector 90°	C
26	4700904774	4	O-ring	D
27	4812117732	4	Flange connector	D
28	4700508048	16	Hexagon socket head cap screw	C
29	4700904766	2	Elbow connector 90°	
30	4700904735	1	Washer	C
31	4700500075	1	Screw M6-1,0x25 8.8	C
32	4700902285	1	Hexagon lock nut with flange	C
33	4700500022	1	Screw M8x30H 8.8	C
34	4700904229	1	Steel plain washer 8,4x16x1,5	C
35	4700388446	1	Spacer	
36	4812112530	1	Bracket	

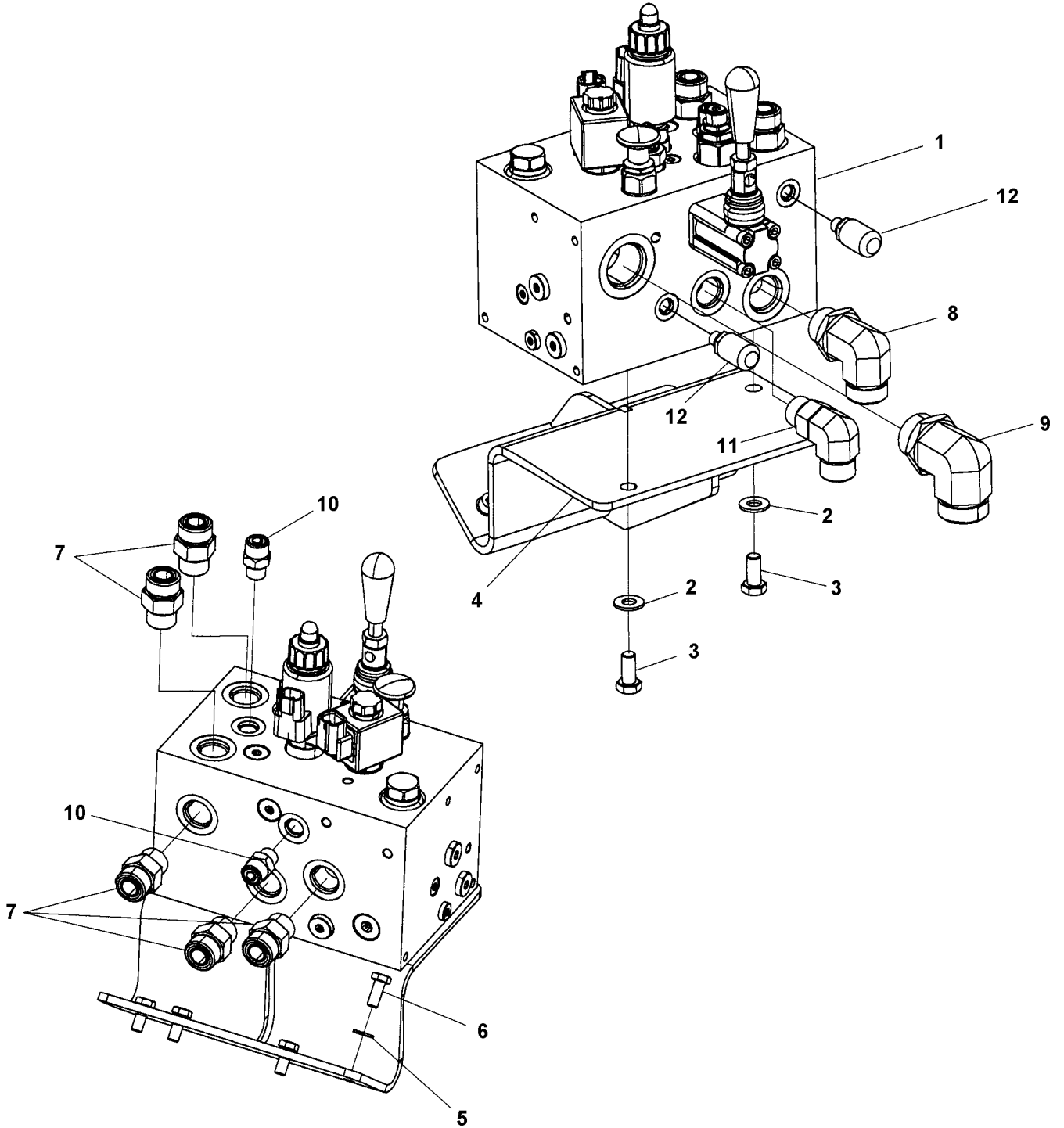
Hydraulic oil tank assembly



Hydraulic oil tank assembly

Item	Part No	Rem	Qty	Description	Code
1	4812112361	A	1	Hydraulic oil tank, cpl	
2	4700500505		9	Screw M8x20 8.8	C
3	4700792068		1	Elbow 90°	D
4	4811000202		1	Hydraulic hose	C
5	4812114205		1	Hydraulic pipe	D
6	0570702503		1	Straight connector orfs	D
7	4700923008		1	Clamp	D
8	4700233304		1	Ball valve	C
9	4700232039		1	Plug G3/4	C
10	4700904346		2	Clamp	D
11	4700343748		2	Spacer sleeve	C
12	4700904229	D	19	Steel plain washer 8,4x16x1,5	C
13	4700500022		2	Screw M8x30H 8.8	C
14	4700500053		1	Screw M8x20H 8.8	C
15	4812112648		1	Pipe assembly	C
16	4812116645		1	Rubber hose	
17	4700357138		1	Ventilating filter	A
18	4700313009		2	Hose clamp	D
19	4700921090		1	Pipe clamp covered	
20	4700500013		3	Screw M6-1x16 8,8	C
21	4700904228		3	Washer 6,4x12x1,5	C
22	4700904985	B	1XL	Fuel hose	C
23	4700313001		2	Hose clamp	C
24	4700390926	C	1	O-ring	D
25	4812112329	C	1	Cover	D
26	4700500019	C	16	Hexagon head screw M8x16H 8,8	C
27	4700792295	C	1	Steel plug	D
28	4700792809		1	Elbow 90 orfs	D
29	4700791405		1	Straight o-ring connector	C
30	4700232118		2	Flange half	D
31	4700904638		4	Washer 12x22x2	C
32	4700508063		4	Screw	D
33	4812112556		1	Connector elbow 90 orfs	D
34	4700792276		1	Temperature sensor	D
35	4700162008		2	Seal washer	B
36	4700792264		1	Straight connector	D
37	4700374059		1	Check valve	C
38	4700792338		1	Straight connector	D
39	4700160191		1	O-ring	D
40	4700330331		1	Washer 18,2x23,9x1,5	C
41	4700989151		1	Oil level glass	C
42	4700904556		1	Washer 8,4x16x3,0	C
43	4700791120		1	Sealing washer	

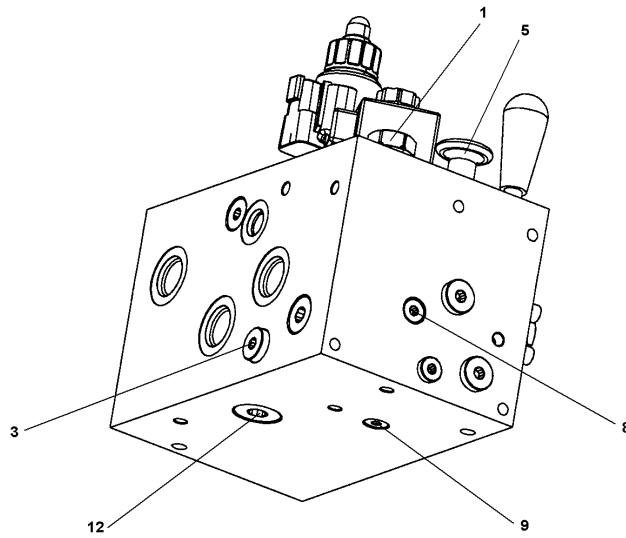
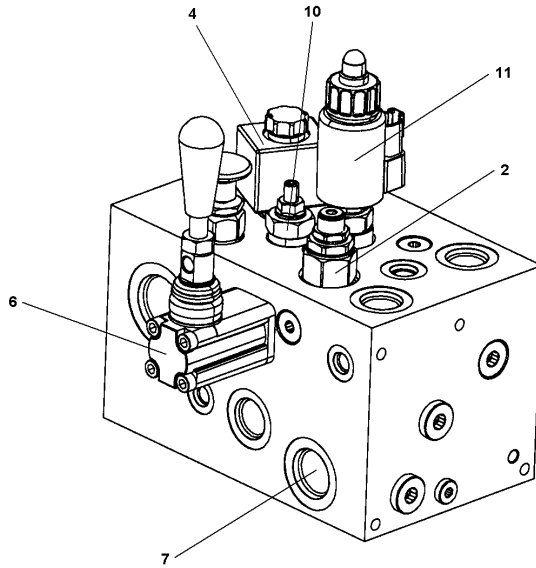
- A) Includes item 24, 25, 26, 27 and 12 (16 pcs).
- B) L=0.62m
- C) Part of item 1.
- D) 16 pcs part of item 1.



Hydraulic valve module

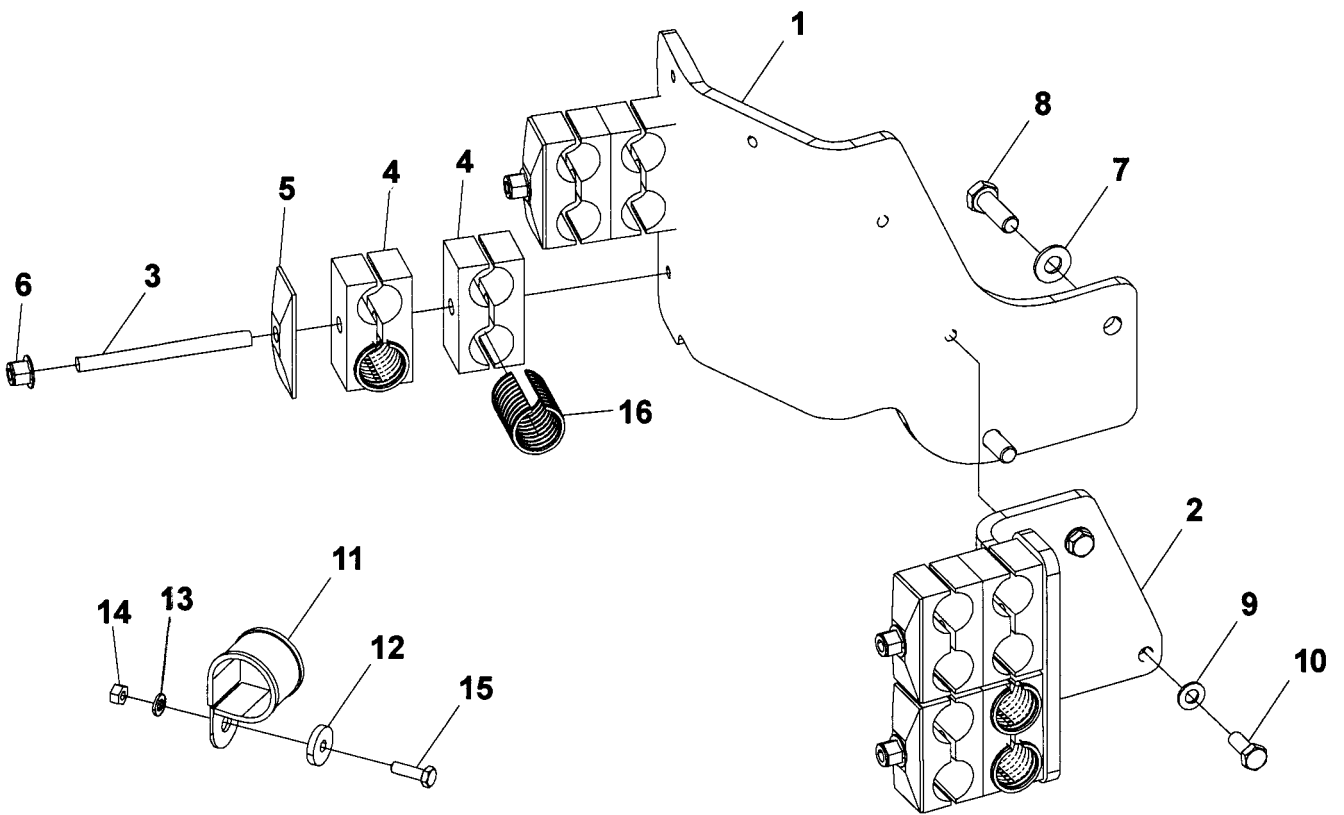
Item	Part No	Rem Qty	Description	Code
1	4812112238	1	Hydraulic valve (Page 270)	
2	4700904230	2	Steel plain washer	C
3	4700500027	2	Screw M10-1,55x22 8.8	D
4	4812114434	1	Bracket	
5	4700904229	4	Steel plain washer 8,4x16x1,5	C
6	4700508092	4	Screw	C
7	4700791743	5	Straight connector orfs	D
8	4700791231	1	Elbow 90°	D
9	4700792299	1	Elbow 90°	
10	4700791409	2	Straight connector orfs	C
11	4700791843	1	Elbow 90, O-ring with swivel	D
12	4700910162	2	Measuring nipple	D

4812112238 Hydraulic valve



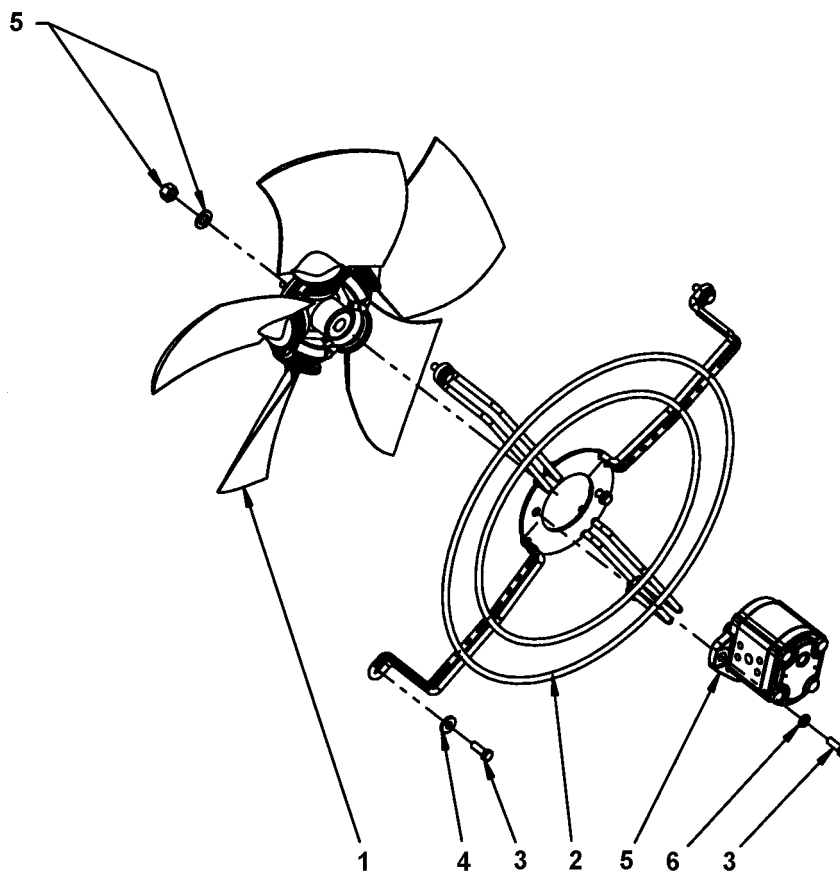
4812112238 Hydraulic valve

Item	Part No	Rem Qty	Description	Code
1	4812157654	1	. Pressure compensator	
2	4812157655	1	. Pressure relief valve	
3	4812157681	1	. Shuttle valve	
4	4812157770	1	. Electric 3/2 valve	
	4812157771	1	. Coil	
5	4812157682	1	. 2/2 Valve	
6	4812157772	1	. Hand pump	
	4812157773	1	. Kit manual lever	
7	4812157683	1	. Orifice	
8	4812157684	1	. Orifice	
9	4812157685	1	. Orifice	
10	4812157686	1	. Brake pressure relief valve	
11	4812157687	1	. Proportional pressure relief valve	
12	4812157688	1	. Check valve	



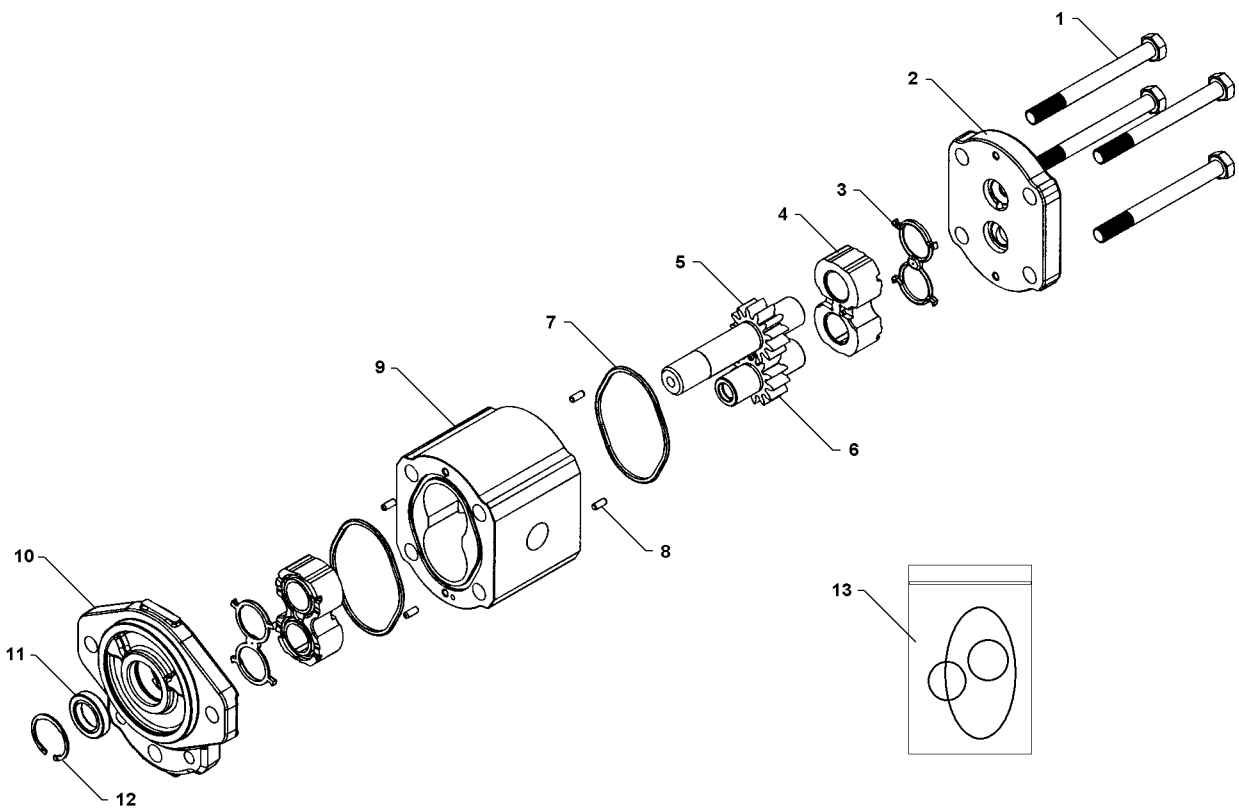
Connector assy

Item	Part No	Rem Qty	Description	Code
1	4812113237	1	Bracket	
2	4812113338	1	Bracket	
3	4700791807	4	Stud	D
4	4700287295	8	Clamp	D
5	4700904872	4	Cover plate	D
6	4700902286	4	Hexagon lock nut with flange	C
7	4700904230	2	Steel plain washer	C
8	4700500029	2	Hexagon head screw	C
9	4700904229	2	Steel plain washer 8,4x16x1,5	C
10	4700500053	2	Screw M8x20H 8.8	C
11	4700923008	1	Clamp	D
12	4700904735	1	Washer	C
13	4700904228	1	Washer 6,4x12x1,5	C
14	4700570004	1	Nut M6X1,00 -8 A2K	C
15	4700500040	1	Screw M6-1x20 8,8	C
16	4812113941	4	Hose holder clip	D



Fan module

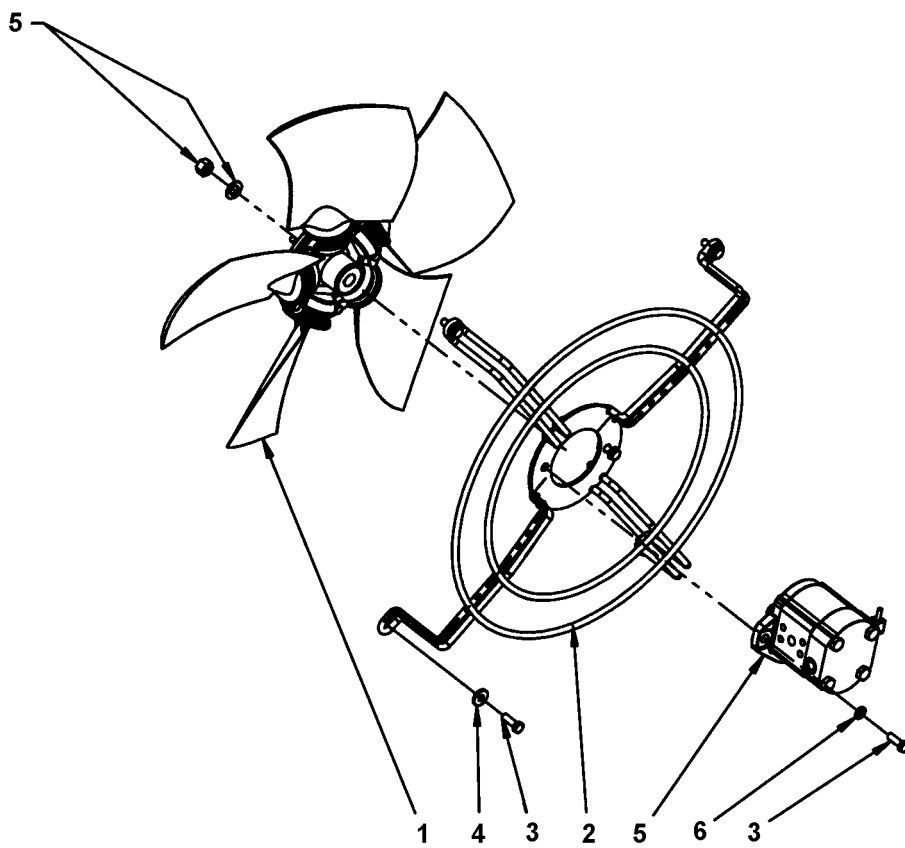
Item	Part No	Rem Qty	Description	Code
1	4812111035	1	Fan	
2	4812118214	1	Bracket	
3	4700500021	6	Screw M8-1,25x25 8.8	C
4	4700904640	4	Washer 8,4x22x3	C
5	4812112107	1	Hydraulic motor (Page 276)	
6	4700904229	2	Steel plain washer 8,4x16x1,5	C



4812112107 Hydraulic motor

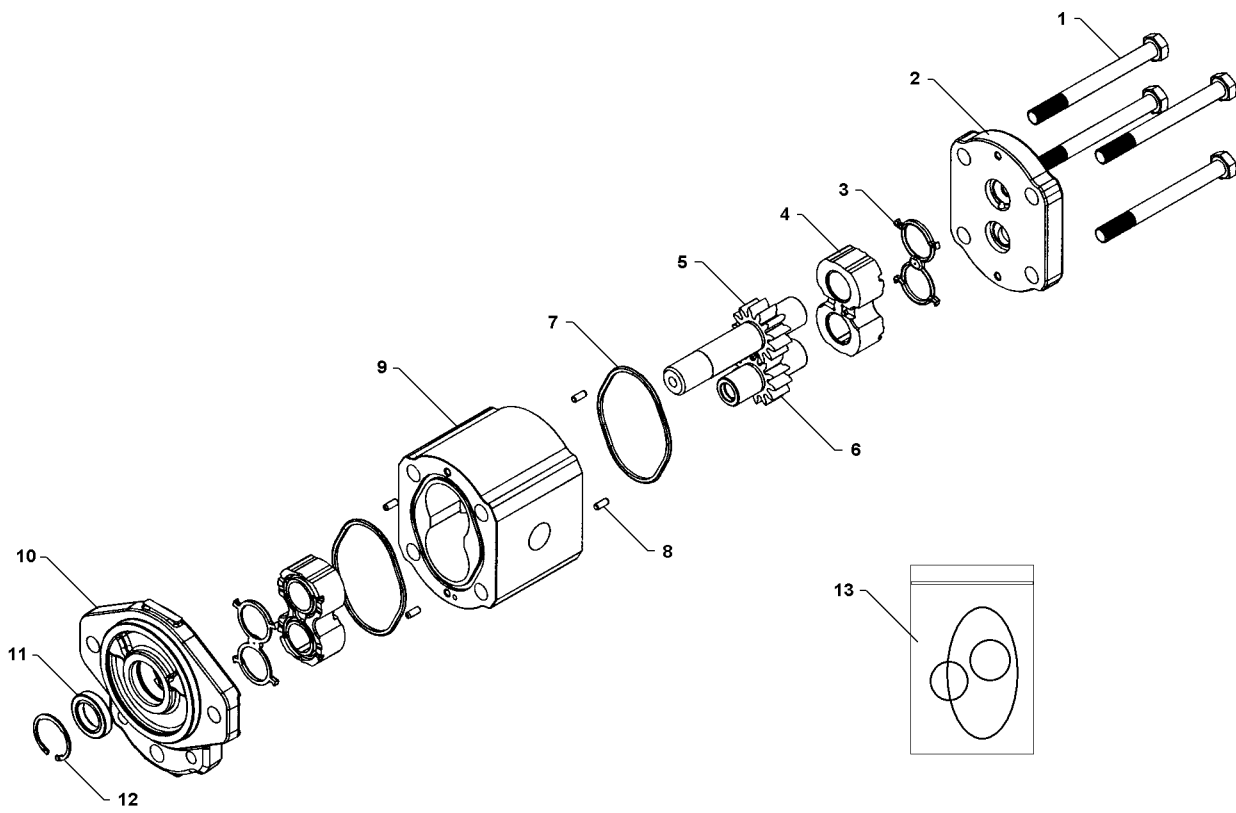
Item	Part No	Rem	Qty	Description	Code
	4812112107		1	Hydraulic motor	
1			4	. Screw	
2			1	. End cover	
3		A	2	. Seal	
4			2	. Bearing block	
5			1	. Drive gear	
6			1	. Idler gear	
7		A	2	. Shaft seal	
8			4	. Dowel pin	
9			1	. Gear housing	
10			1	. Mounting flange	
11		A	1	. Shaft seal	
12			1	. Snap ring	
13	4700903431		1	. Seal kit	

A) Included in seal kit.



Fan module

Item	Part No	Rem Qty	Description	Code
1	4812111035	1	Fan	
2	4812118214	1	Bracket	
3	4700500021	6	Screw M8-1,25x25 8.8	C
4	4700904640	4	Washer 8,4x22x3	C
5	4812112106	1	Hydraulic motor (Page 280)	
6	4700904229	2	Steel plain washer 8,4x16x1,5	C

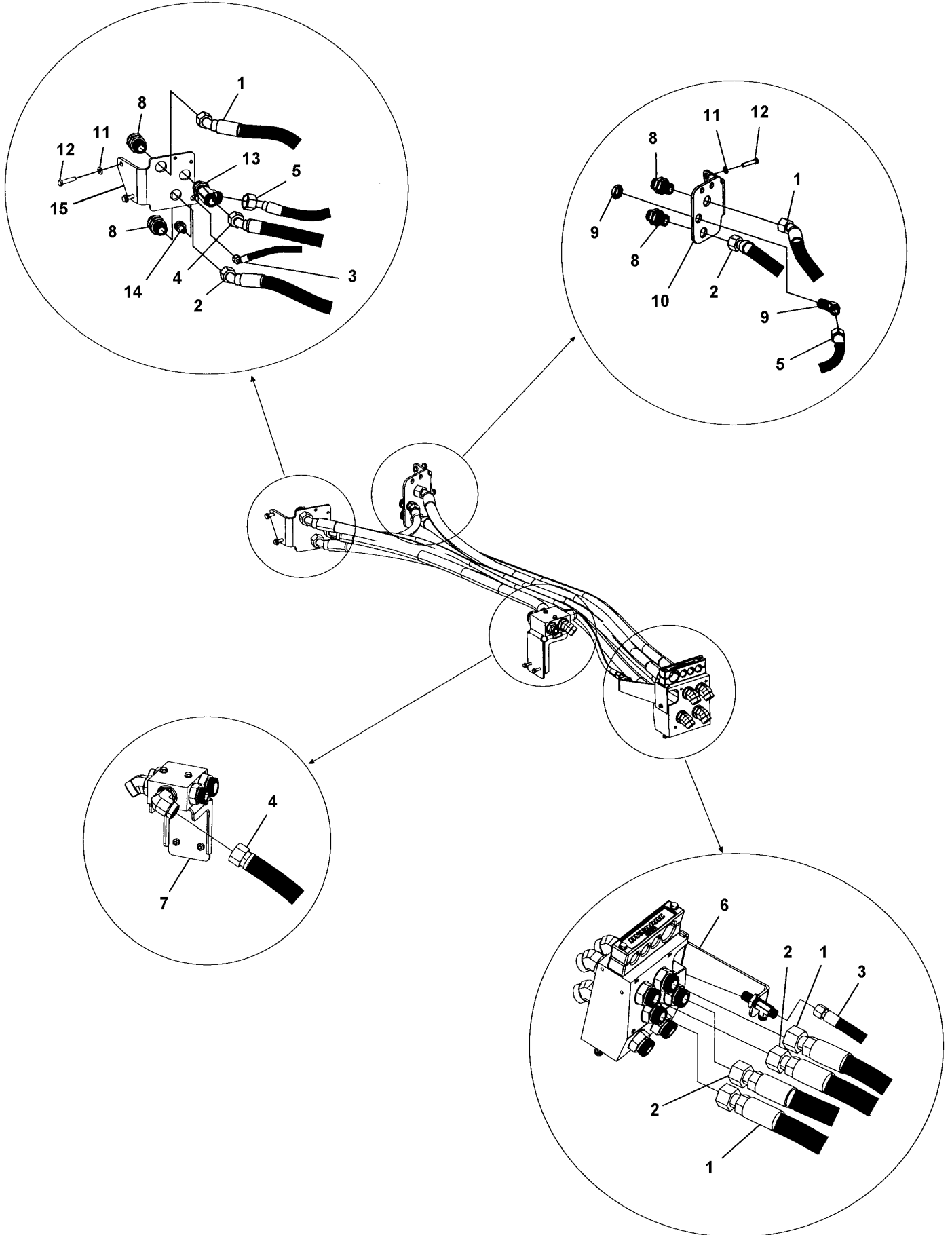


4812112106 Hydraulic motor

Item	Part No	Rem	Qty	Description	Code
	4812112106		1	Hydraulic motor (Page 280)	
1			4	. Screw	
2			1	. End cover	
3		A	2	. Seal	
4			2	. Bearing block	
5			1	. Drive gear	
6			1	. Idler gear	
7		A	2	. Shaft seal	
8			4	. Dowel pin	
9			1	. Gear housing	
10			1	. Mounting flange	
11		A	1	. Shaft seal	
12			1	. Snap ring	
13	4700903431		1	. Seal kit	

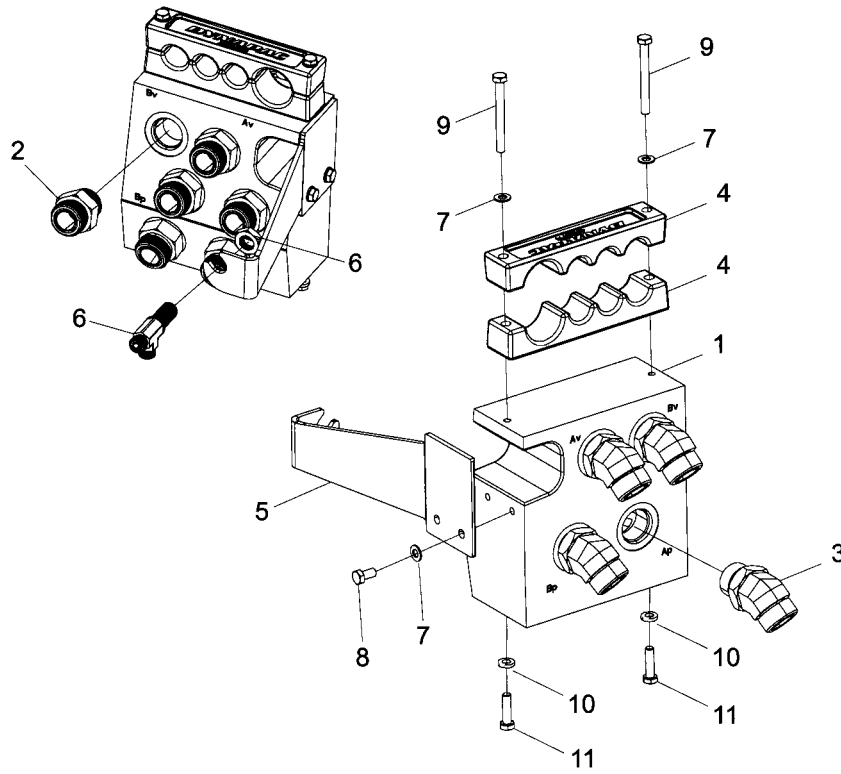
A) Included in seal kit.

Hydraulic system, frame rear



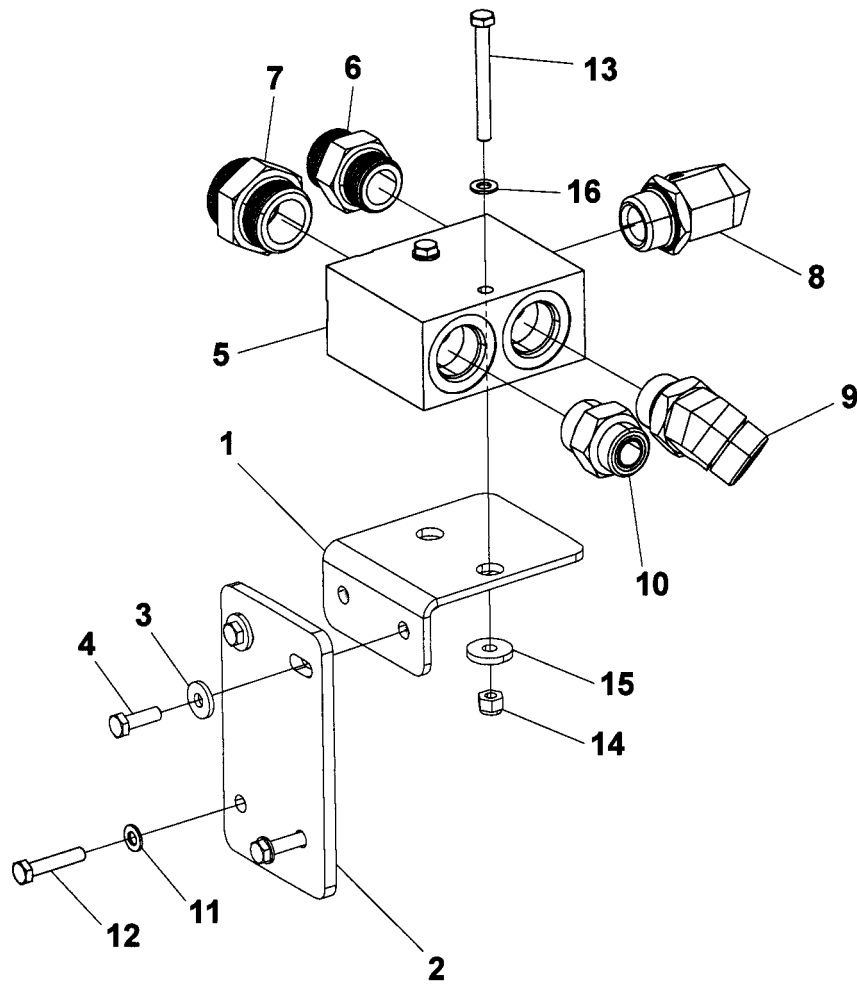
Hydraulic system, frame rear

Item	Part No	Rem Qty	Description	Code
1	4811000203	2	Hydraulic hose	C
2	4811000204	2	Hydraulic hose	C
3	4811000205	1	Hydraulic hose	C
4	4811000201	1	Hydraulic hose	C
5	4811000200	1	Hydraulic hose	C
6		1	Connector kit (Page 284)	C
7		1	Connector kit (Page 286)	C
8	4812112559	1	Bulkhead union	D
9	4811000261	1	Bulkhead elbow 45	D
10	4812112341	1	Bracket	D
11	4700904230	4	Steel plain washer	C
12	4700500161	4	Hexagon head screw	C
13	4811000263	1	Bulkhead union	D
14	4700791830	1	Bulkhead union	D
15	4812115832	1	Bracket	D



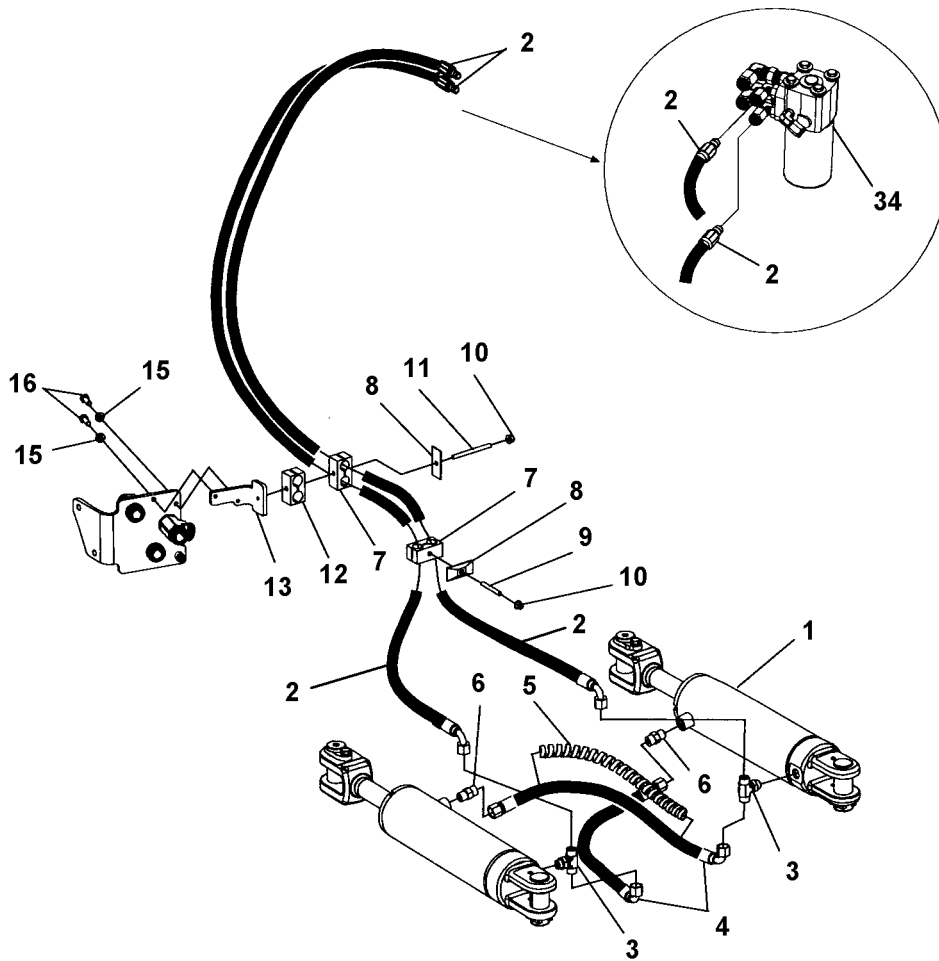
Connector kit

Item	Part No	Rem Qty	Description	Code
1	4812111768	1	Hydraulic block	
2	4700792339	6	Straight connector orfs	D
3	4700791212	4	Elbow 45°	C
4	4812111771	2	Hose holder	
5	4812111770	1	Holder	
6	4812114492	1	Bulkhead union	
7	4700904229	4	Steel plain washer 8,4x16x1,5	C
8	4700500019	2	Hexagon head screw M8x16H 8,8	C
9	4700500090	2	Screw	C
10	4700904556	2	Washer 8,4x16x3,0	C
11	4700500022	2	Screw M8x30H 8.8	C



Connector kit

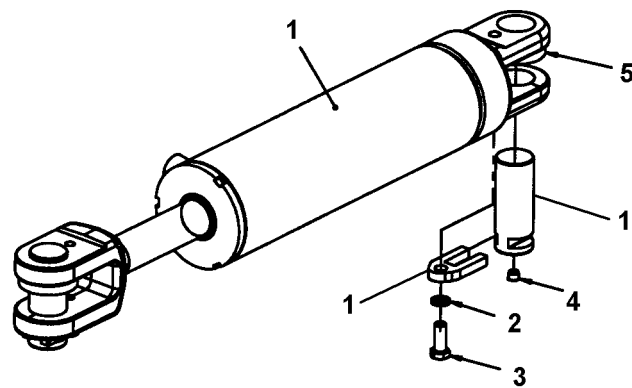
Item	Part No	Rem Qty	Description	Code
1	4812115463	1	Holder	
2	4812115464	1	Holder	
3	4700904640	2	Washer 8,4x22x3	C
4	4700500021	2	Screw M8-1,25x25 8.8	C
5	4812111769	1	Hydraulic block	
6	4700792339	1	Straight connector orfs	D
7	4812112555	1	Straight connector orfs	D
8	4700792299	1	Elbow 90°	
9	4700791212	1	Elbow 45°	C
10	4700791318	1	Straight connector	D
11	4700904229	2	Steel plain washer 8,4x16x1,5	C
12	4700500023	2	Screw M8-1,25x40 8,8	C
13	4700500090	2	Screw	C
14	4700586003	2	Lock nut M8	C
15	4700904734	2	Washer 8,4x26x4	
16	4700604005	1	Spring washer	



Hydraulic system, steering

Item	Part No	Rem	Qty	Description	Code
1			2	Hydraulic cylinder (Page 290)	
2	4811000207		2	Hydraulic hose	C
3	4700792586		2	T-connector ORFS	D
4	4811000206		2	Hydraulic hose	C
5	4700904623	A	1XL	Hose guard	D
6	4700791799		2	Straight connector orfs	D
7	4700903456		2	Pipe clamp	D
8	4700904872		2	Cover plate	D
9	4700792500		1	Stud	D
10	4700902286		2	Hexagon lock nut with flange	C
11	4700791807		1	Stud	D
12	4700287295		1	Clamp	D
13	4812113983		1	Bracket	D
15	4700904229		2	Steel plain washer 8,4x16x1,5	C
16	4700500053		2	Screw M8x20H 8.8	C
34			1	Steering valve module (Page 294)	

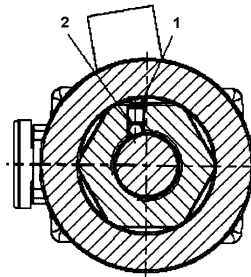
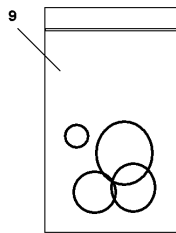
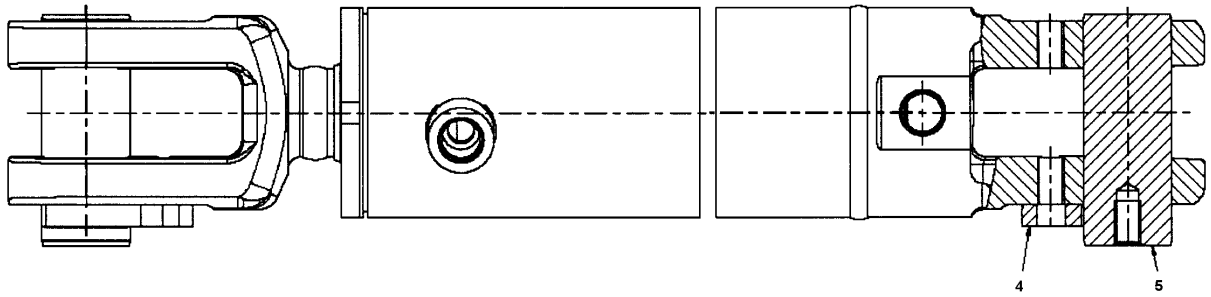
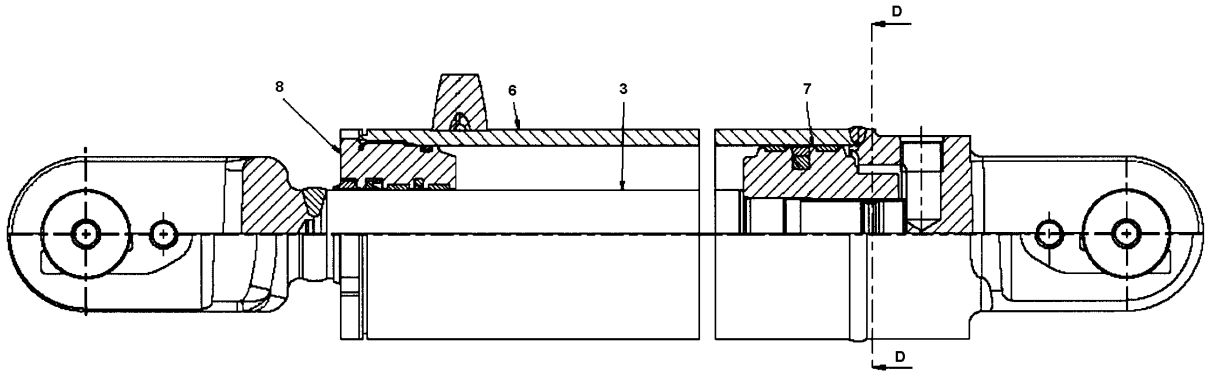
A) L=0.4m



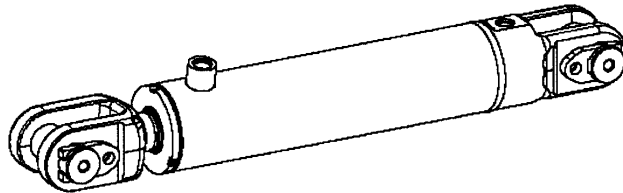
Hydraulic cylinder

Item	Part No	Rem Qty	Description	Code
1	4812113826	1	Hydraulic cylinder (Page 292)	
2	4700900994	2	Lock washer	D
3	4700500046	2	Screw M12x025H	C
4	4700792083	2	Plug	D
5	4812117297	2	Sealing strip	

4812113826 Hydraulic cylinder

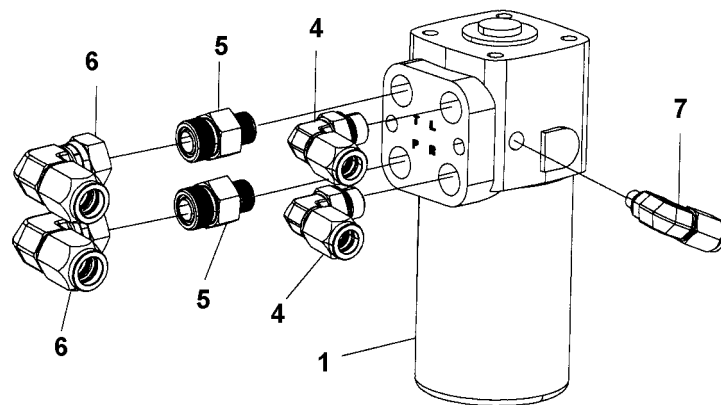


SECTION D - D



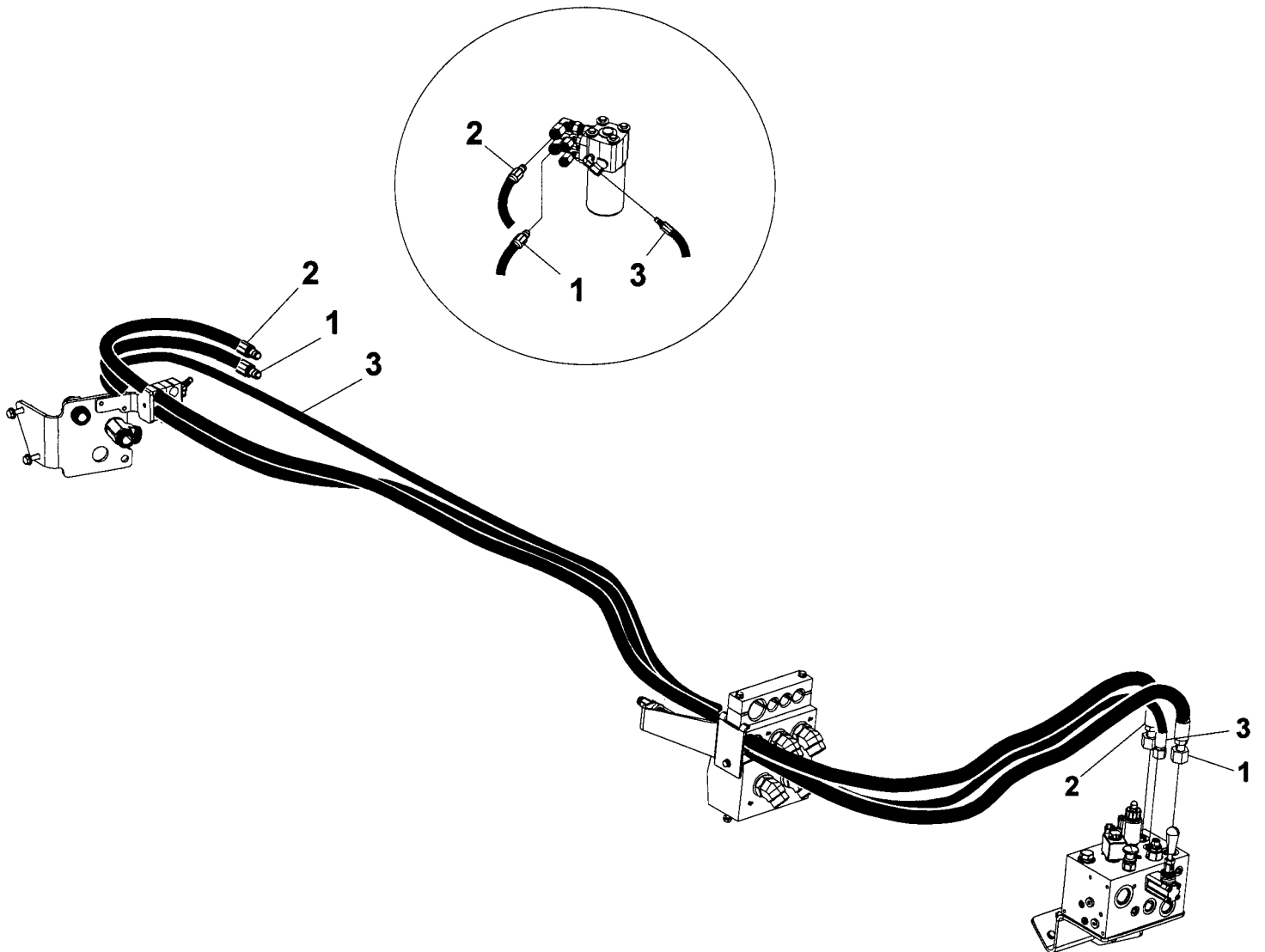
4812113826 Hydraulic cylinder

Item	Part No	Rem Qty	Description	Code
1	4812157554	1	. Screw	
2	4812157758	1	. Ball	
3		1	. Piston rod	
4	4812157759	2	. Locking fork	
5	4812157760	2	. Locking pin	
6		1	. Cylinder tube	
7		1	. Piston	
8		1	. Cylinder head	
9	4812157781	1	. Seal kit	



Steering valve module

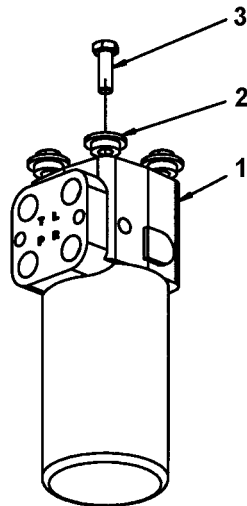
Item	Part No	Rem Qty	Description	Code
1	4812112290	1	Steering valve	D
4	4812115063	2	Elbow connector 90°	C
5	4811000074	2	Straight connector orfs	D
6	4812115064	2	Elbow connector 90°	C
7	4812115065	1	Elbow connector 90°	C



Hydraulic hoses, steering

Item	Part No	Rem Qty	Description	Code
1	4811000407	1	Hydraulic hose uptc	
2	4811000408	1	Hydraulic hose uptc	
3	4811000409	1	Hydraulic hose uptc	

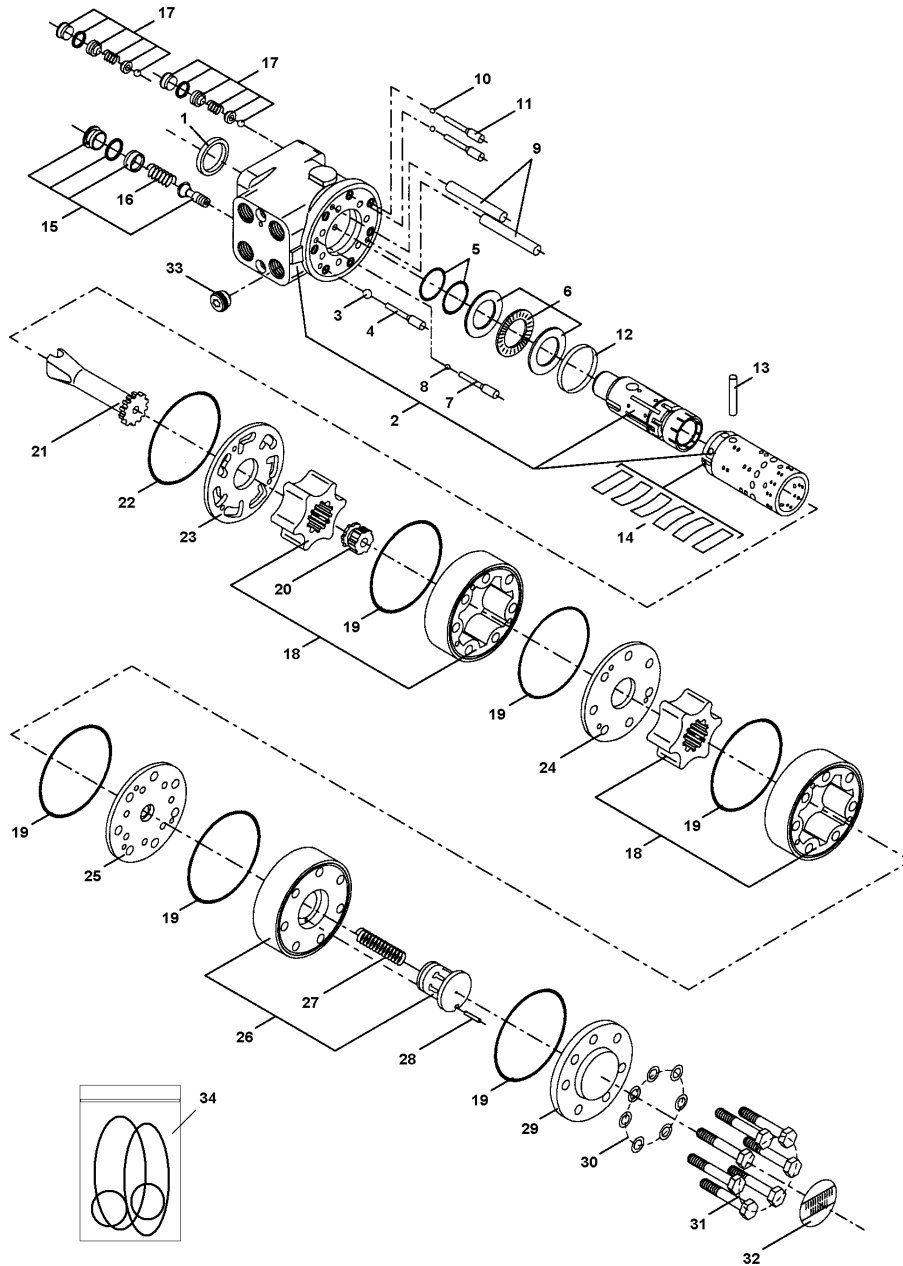
Emergency steering valve module



Emergency steering valve module

Item	Part No	Rem Qty	Description	Code
1	4812110361	1	Steering valve (Page 300)	
2	4812113478	4	Washer	
3	4700500029	4	Hexagon head screw	C

4812110361 Steering valve

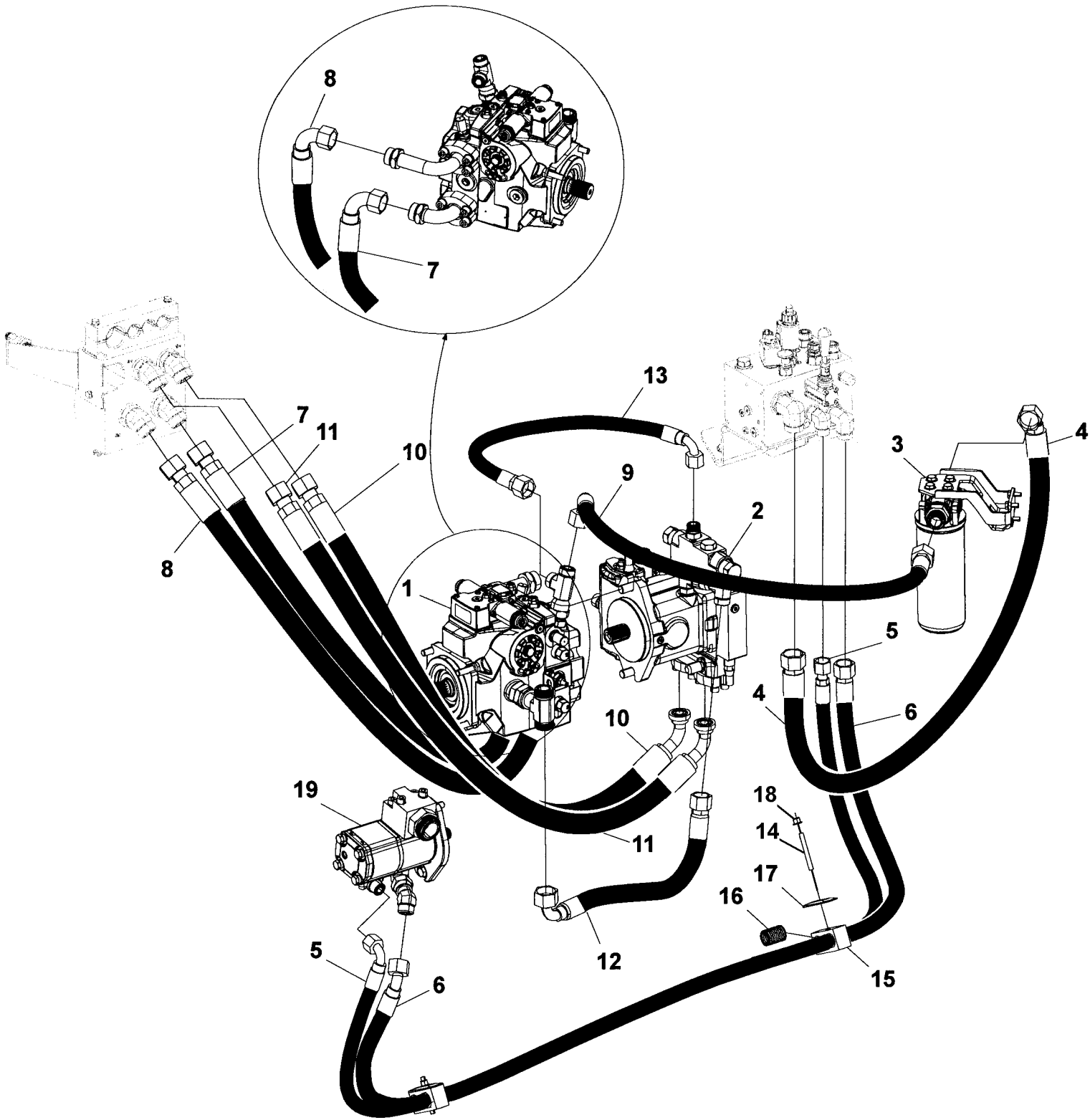


4812110361 Steering valve

Item	Part No	Rem	Qty	Description	Code
	4812110361		1	Steering valve	
1		A	1	. Dust seal	
2			1	. Housing spool and sleeve	
3			1	. . Ball	
4			1	. . Thread bushing with pin	
5		A	1	. . Shaft seal	
6			1	. . Bearing	
7			1	. . LS Check valve, screw	
8			1	. . LS Check valve	
9			2	. . Mounting pin	
10			2	. . Ball	
11			2	. . Pin, suction valve	
12			1	. . Ring	
13			1	. . Cross pin	
14			1	. Set of spring	
15			1	. Relief valve	
16			1	. . Spring	
17			2	. Shock valve, cpl	
18			1	. Gear wheel set	
19		A	6	. . O-ring	
20			1	. . Cardan shaft	
21			1	. Cardan shaft	
22		A	1	. O-ring	
23			1	. Distributor plate	
24			1	. Distributor plate	
25			1	. Distributor plate	
26			1	. Valve and valve housing	
27			1	. . Spring	
28			1	. Guide pin	
29			1	. End cover	
30		A	7	. Washer	
31			7	. Screw	
32			1	. Name plate	
33			1	. Check valve	
34	4812158457		1	. Seal kit, cpl	

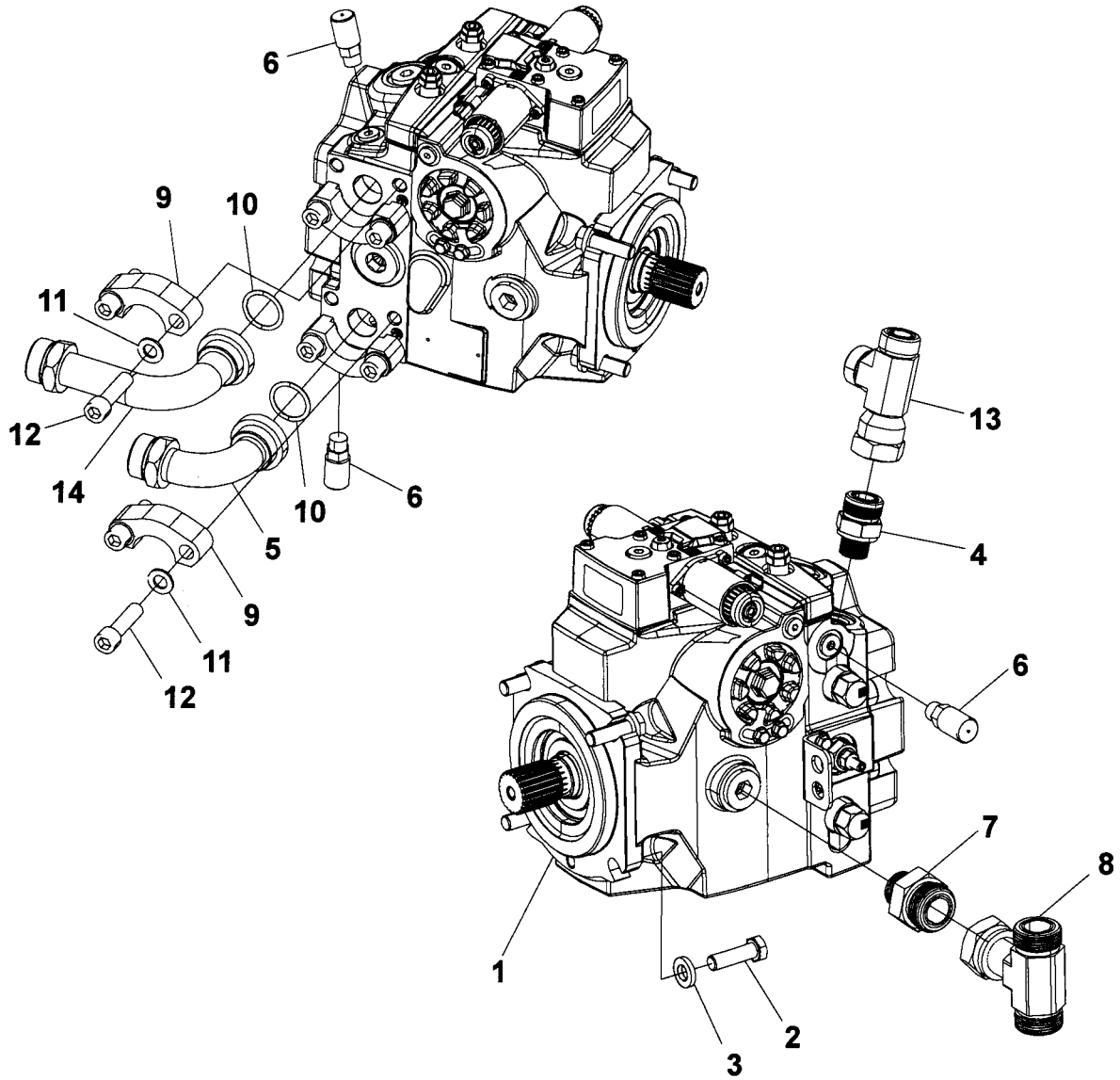
A) For seal kit parts.

Hydraulic system, engine room



Hydraulic system, engine room

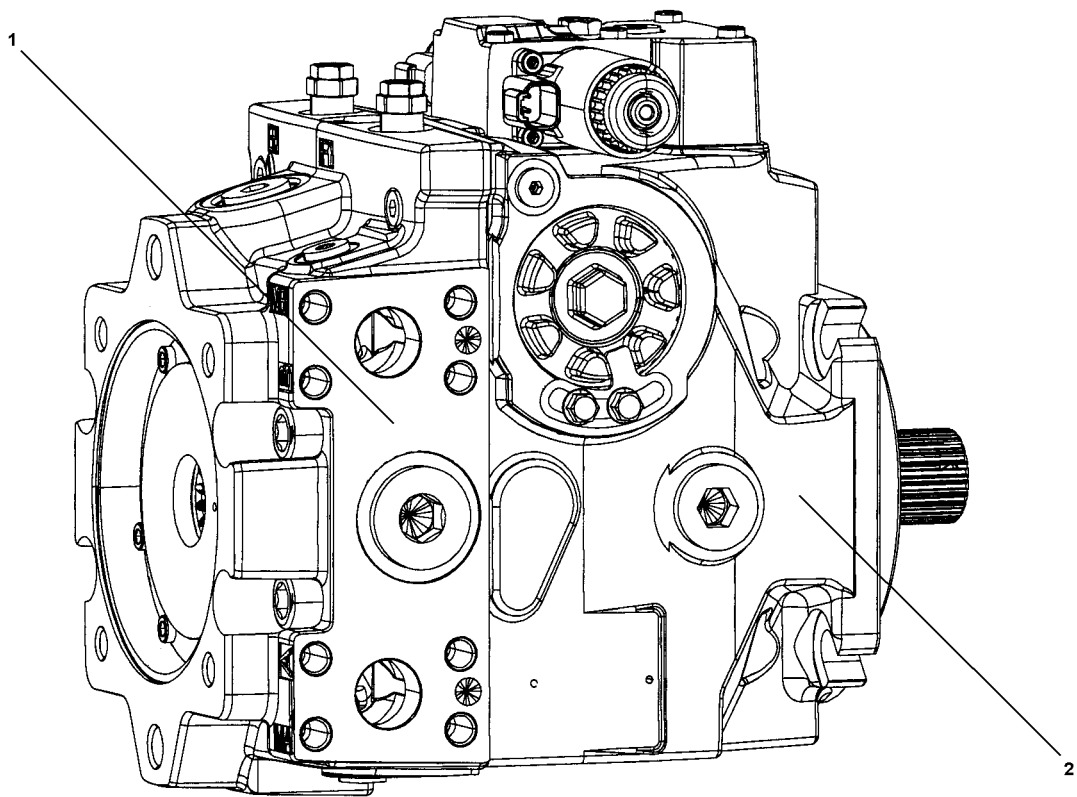
Item	Part No	Rem Qty	Description	Code
1		1	Hydraulic pump module (Page 304)	
2		1	Hydraulic pump module (Page 312)	
3		1	Hydraulic oil filter assy (Page 314)	
4	4811000212	1	Hydraulic hose	C
5	4811000412	1	Hydraulic hose	
6	4811000410	1	Hydraulic hose	
7	4812114514	1	Hydraulic hose	
8	4812114515	1	Hydraulic hose	
9	4812114516	1	Hydraulic hose	
10	4812114517	1	Hydraulic hose	
11	4812114518	1	Hydraulic hose	
12	4812114519	1	Hydraulic hose	C
13	4812117324	1	Hydraulic hose	
14	4700791805	2	Stud	D
15	4700791711	2	Pipe clamp	D
16	4812113941	2	Hose holder clip	D
17	4700791712	2	Cover plate	D
18	4700902286	2	Hexagon lock nut with flange	C
19		1	Hydraulic pump module (Page 316)	



Hydraulic pump module

Item	Part No	Rem Qty	Description	Code
1	4812112170	1	Hydraulic pump, propel pump (Page 306)	
2	4700500194	4	Screw	C
3	4700904703	4	Washer	B
4	4812115051	1	Straight connector orfs	
5	4700791213	1	Flange fitting 90	D
6	4700900229	3	Measuring nipple	C
7	4812112560	1	Straight connector orfs	
8	4812112561	1	T-adapter	
9	4700923384	4	Flange half	C
10	4700904005	2	O-ring	B
11	4700904638	8	Washer 12x22x2	C
12	4700928791	8	Screw	D
13	4700904496	1	Connector	C
14	4812115965	1	Flange fitting 90	

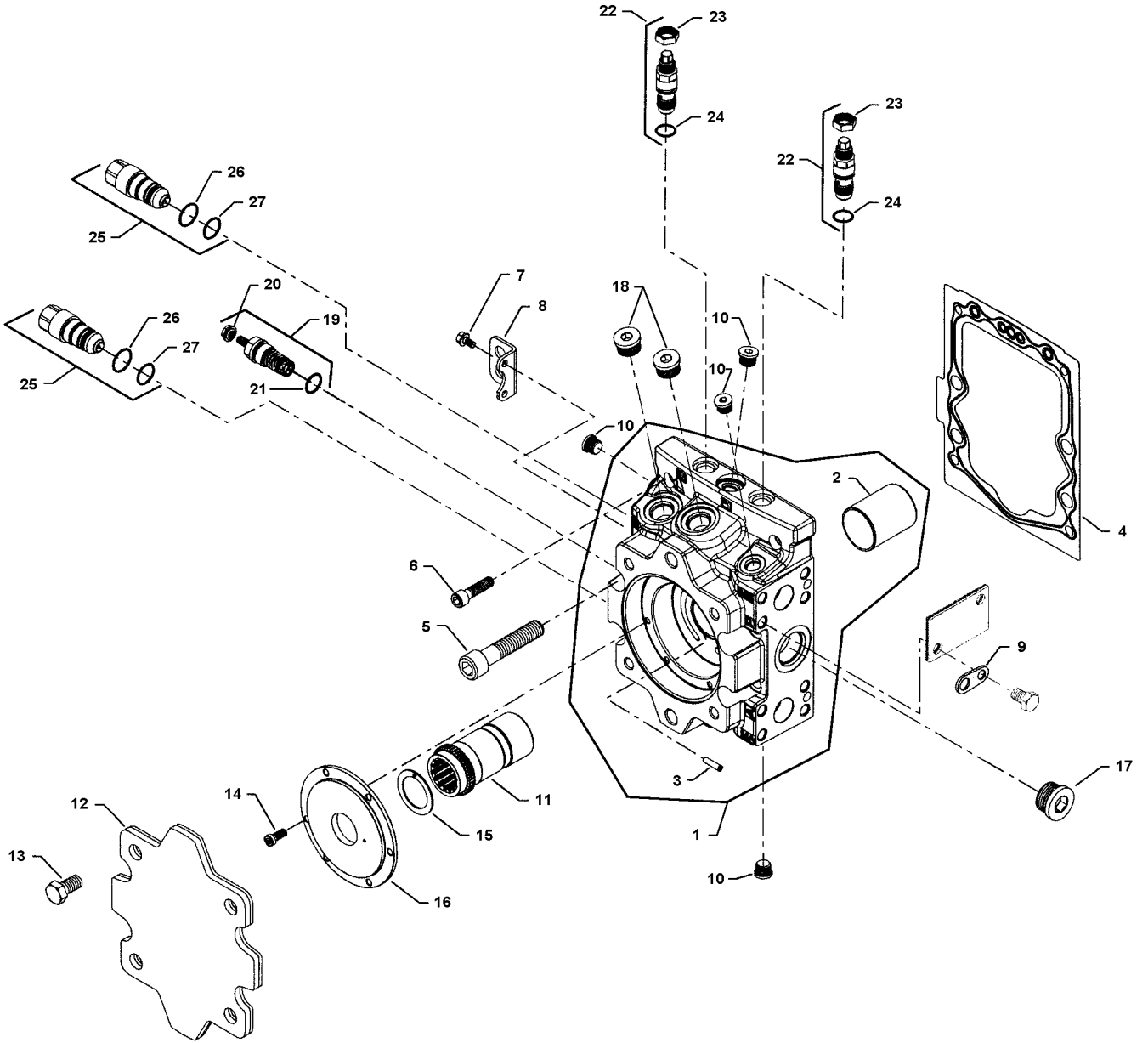
4812112170 Hydraulic pump, propel pump



4812112170 Hydraulic pump, propel pump

Item	Part No	Rem Qty	Description	Code
1		1	. Front section (Page 308)	
2		1	. Rear section (Page 310)	
3	4812158362	1	. Seal kit, cpl	

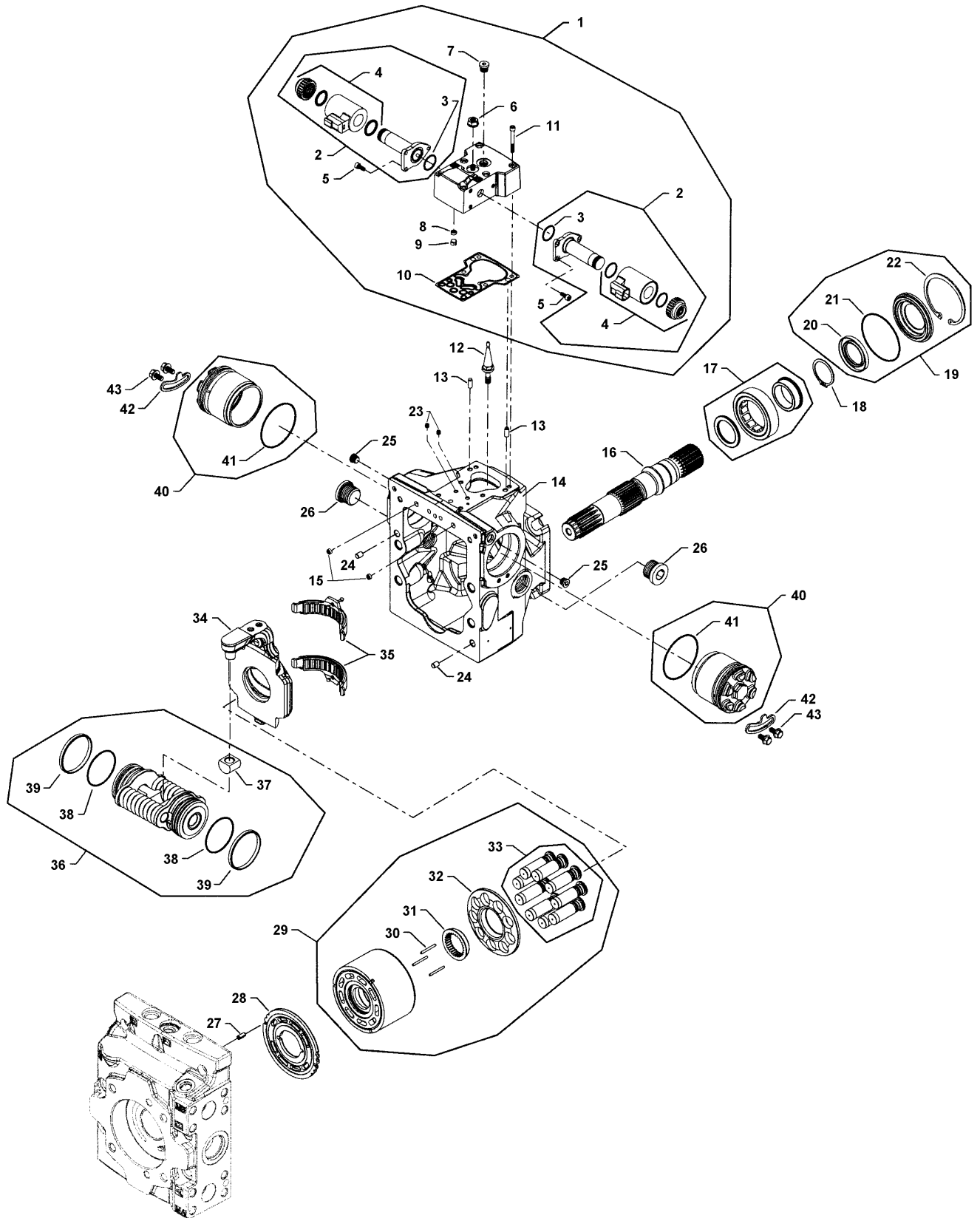
Front section



Front section

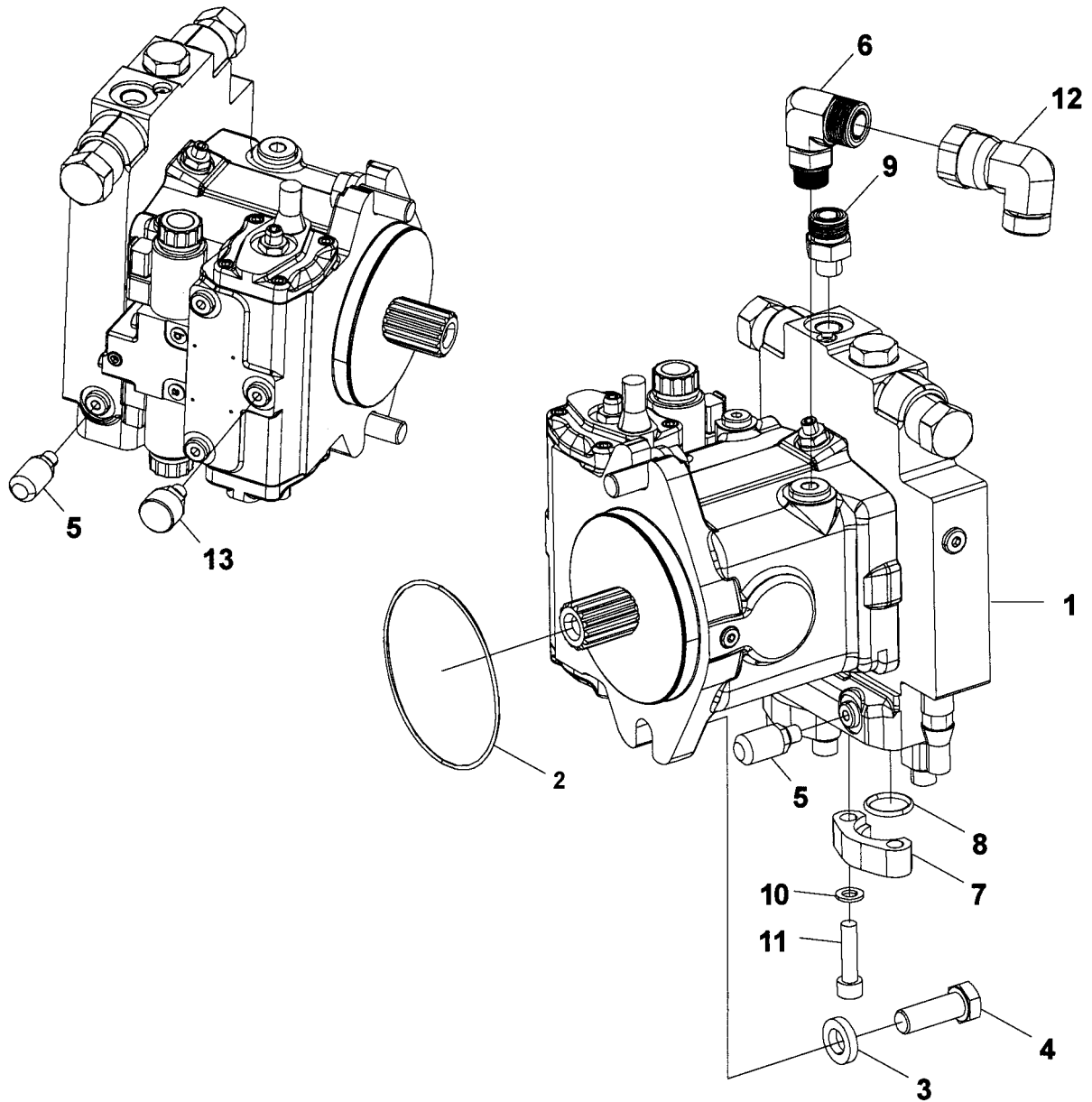
Item	Part No	Rem Qty	Description	Code
1		1	. End cap assy	
2	4812158353	1	. . Bearing journal	
3		1	. . Pin	
4	4812158352	1	. End cap gasket	
5		4	. Screw	
6		2	. Screw	
7		2	. Screw	
8		1	. Lifting bracket	
9		1	. Lifting bracket	
10		4	. Plug assy	
11	4812158356	1	. Coupling, 14 tooth	
12		1	. Flange cover	
13		4	. Screw	
14		6	. Screw	
15	4812157383	1	. Thrust washer	
16		1	. Charge pump cover	
17		1	. Plug assy	
18		2	. Plug assy	
19	4812158361	1	. Charge relief valve kit	
20	4700908774	1	. . Sealing nut	
21	D902899008	1	. . O-ring	
22	4812158360	2	. Pressure limiter kit	
23	4812158358	2	. . Nut	
24	4812158357	2	. . O-ring	
25	4812158359	2	. High pressure relief valve	
26		2	. . O-ring	
27		2	. . O-ring	

Rear section



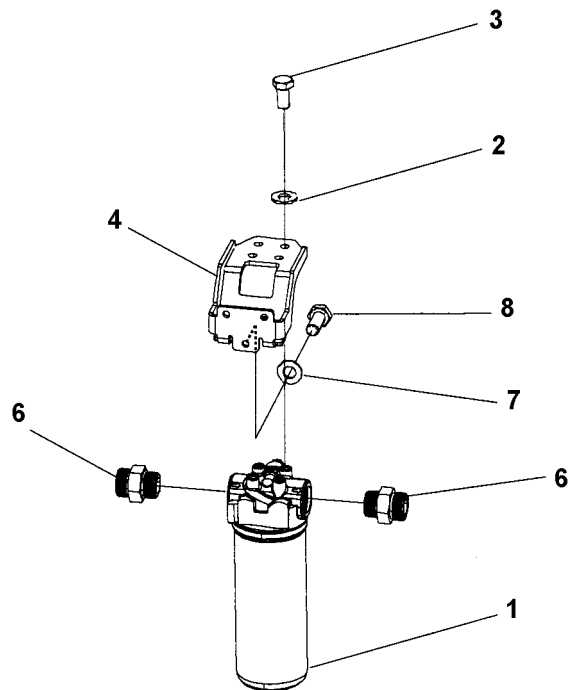
Rear section

Item	Part No	Rem Qty	Description	Code
1	4812157369	1	. EDC kit, 24V,high gain spool,manual overdrive	
2	4812157370	2	. . Proportional solenoid 24V	
3	4812157371	2	. . . O-ring	
4	4812157372	2	. . . Coil kit 24V	
5		6	. . Screw	
6		1	. . Seal nut	
7		1	. . Plug	
8		1	. . Screen	
9		1	. . Locking ring	
10	4812157373	1	. . Control gasket	
11		6	. . Screw	
12		1	. Swashplate feedback link	
13		2	. Dowel pin	
14		1	. Housing	
15		2	. Screen	
16	4812158354	1	. Shaft, 21 tooth spline	
17	4812158364	1	. Roller bearing	
18	4700901727	2	. Retaining ring	
19	4812158355	1	. Shaft seal kit	
20		1	. . Lip seal	
21		1	. . O-ring	
22		1	. . Retaining ring	
23	4812157376	2	. Orifice 1.3, M6x0.75mm	
24		2	. Dowel pin	
25		2	. Plug assy	
26		2	. Plug assy	
27		1	. Valve plate pin	
28		1	. Valve plate	
29	4812158399	1	. Cylinder block kit	
30		1	. . Slipper hold down pin	
31		1	. . Slipper retainer guide	
32		1	. . Slipper retainer	
33		1	. . Slipper / piston kit	
34	4812158297	1	. Swashplate	
35	4812158298	1	. Swashplate bearing kit	
36		1	. Servo piston assy	
37	4812157374	1	. . Slider block	
38		2	. . O-ring	
39		2	. . Piston seal ring	
40		1	. Servo cylinder assy	
41	4812158351	2	. . O-ring	
42		2	. Locking plate	
43		4	. Screw	



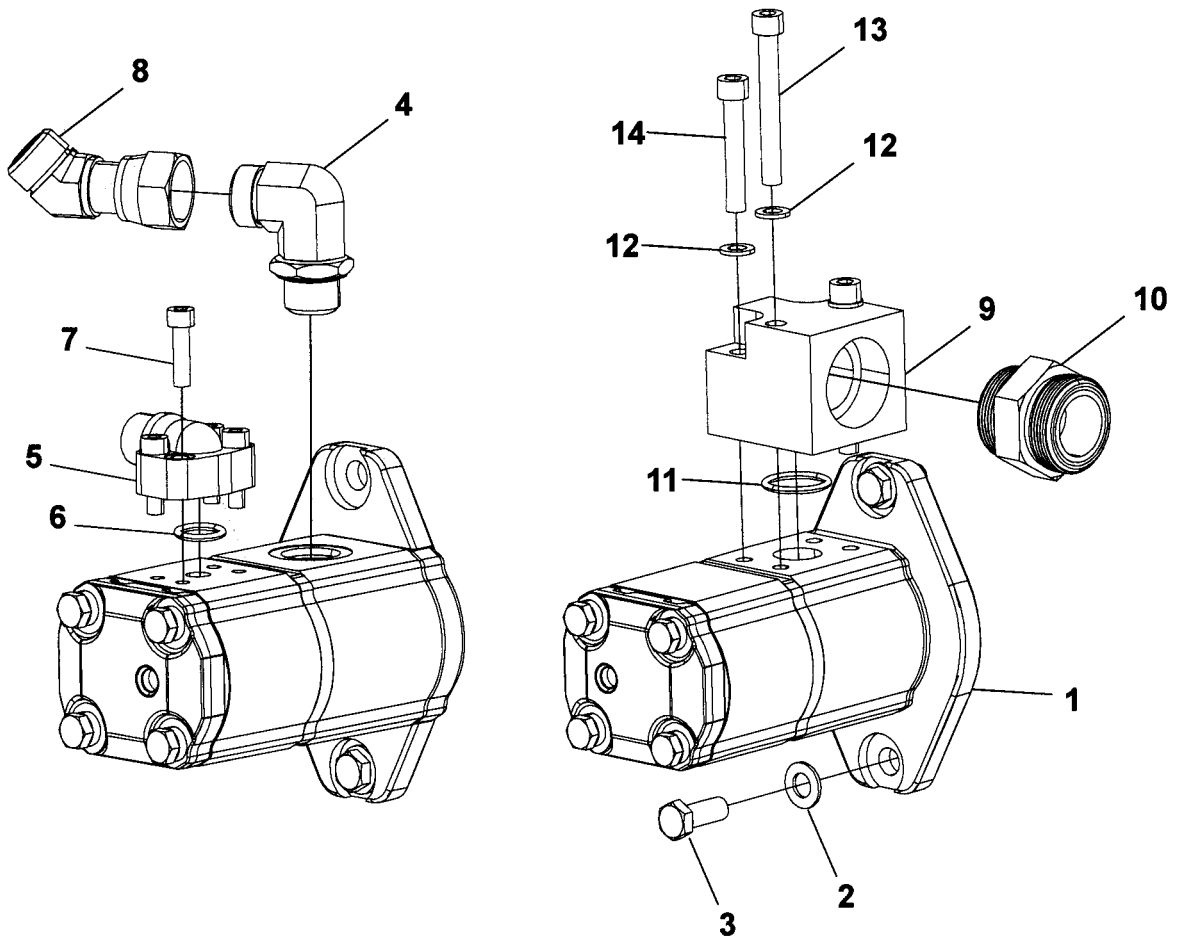
Hydraulic pump module

Item	Part No	Rem Qty	Description	Code
1	4812112174	1	Hydraulic pump	
2	4700160231	1	O-ring 120,32x2,62	D
3	4700904558	2	Washer 17X30X6 300HV	C
4	4700500102	2	Screw M16x45	D
5	4700901157	2	Measuring nipple	C
6	4811000417	1	Connector elbow 90 orfs	
7	4700929226	4	Flange half	C
8	4700904004	2	O-ring	C
9	4700792465	1	Straight connector orfs	D
10	4700904637	8	Washer	C
11	4700508080	8	Screw	
12	4700904584	1	Elbow connector 90°	C
13	4812116781	1	Oil filling plug	



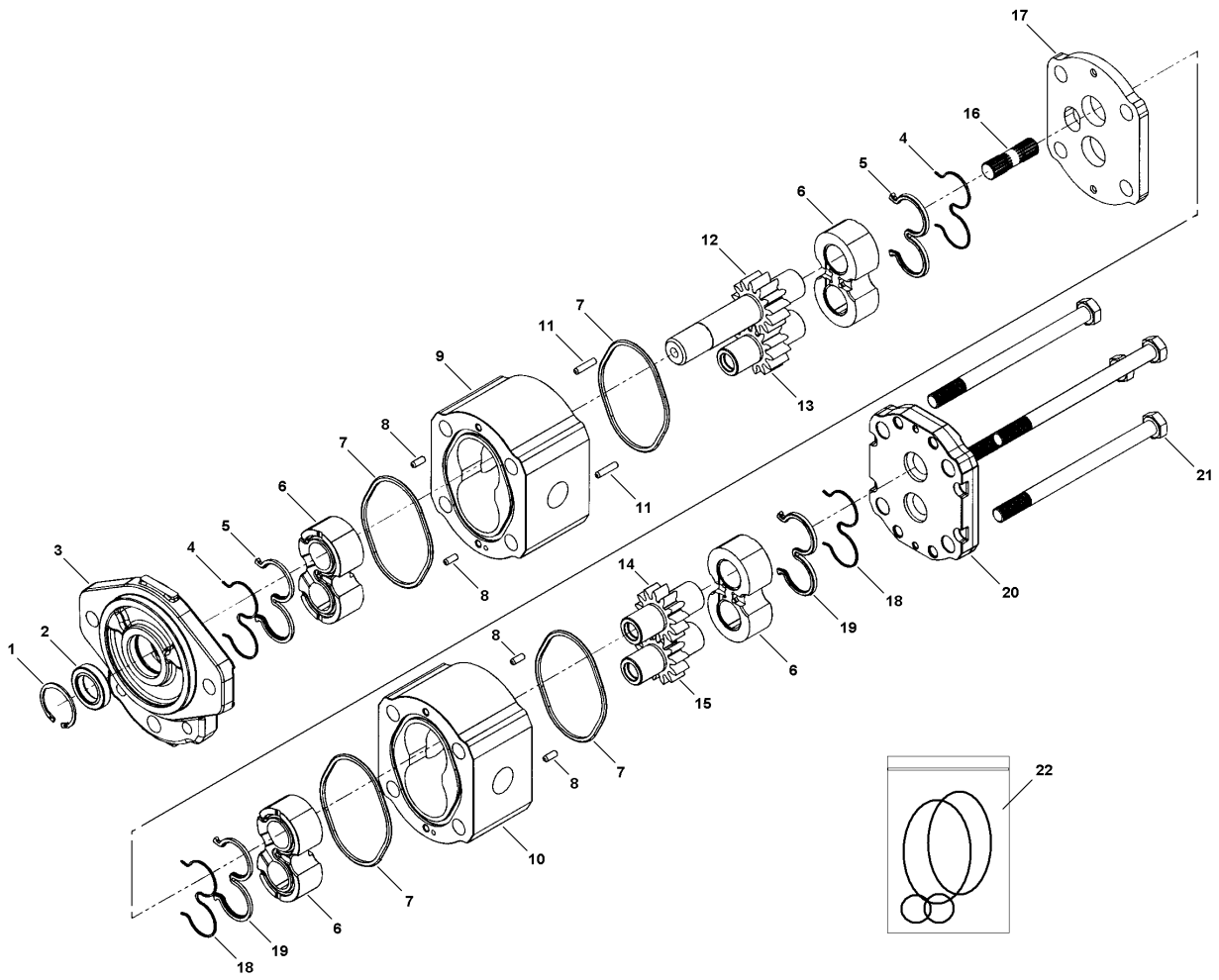
Hydraulic oil filter assy

Item	Part No	Rem Qty	Description	Code
1	4812112260	1	Hydraulic oil filter	C
	4812112262	1	. Hydraulic oil filter element	A
2	4700904230	4	Steel plain washer	C
3	4700500048	4	Screw M10-1,5x20 8,8	C
4	4812118650	1	Bracket	D
6	4700792339	2	Straight connector orfs	D
7	4700904229	3	Steel plain washer 8,4x16x1,5	C
8	4700508092	3	Screw	C



Hydraulic pump module

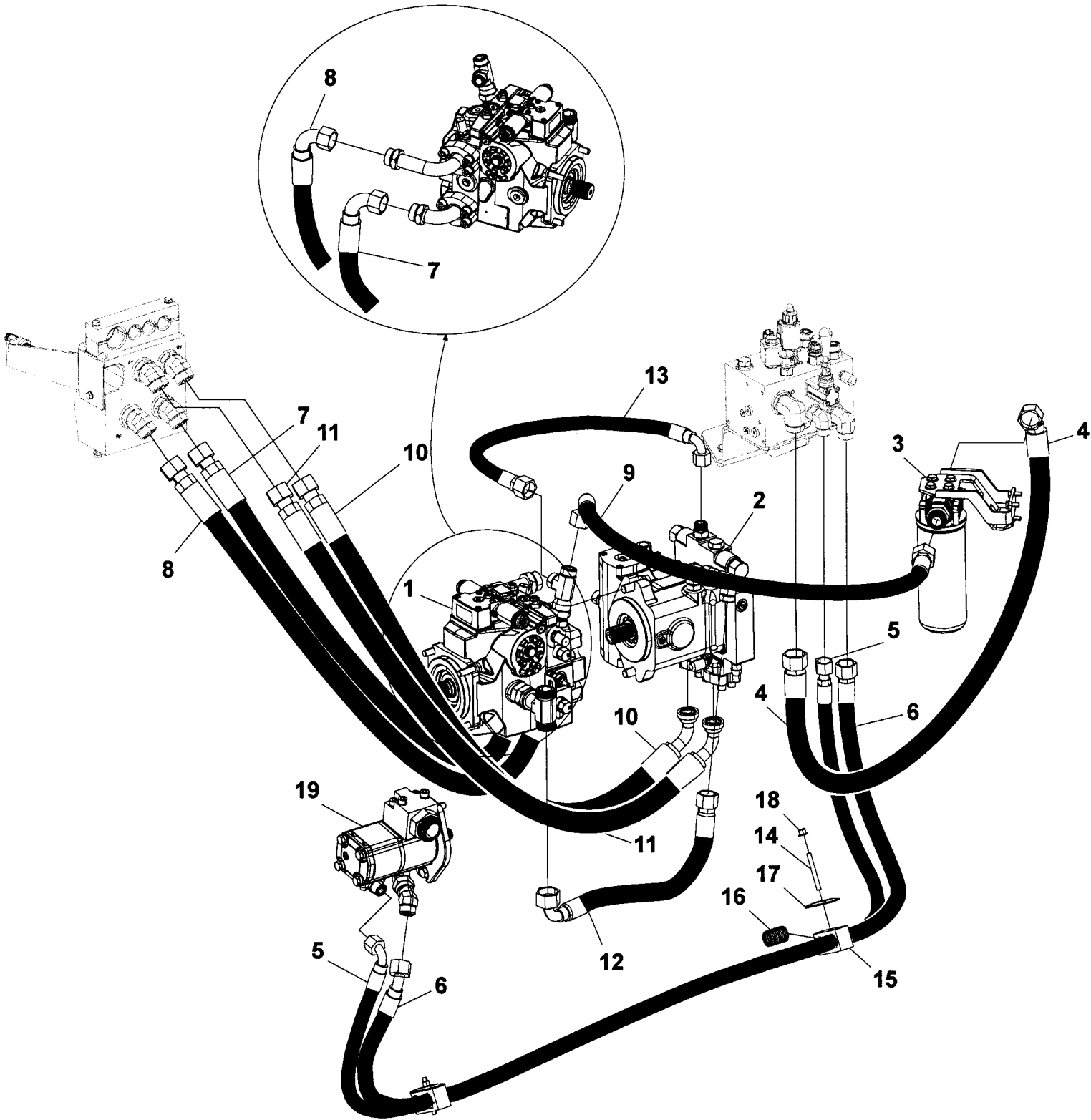
Item	Part No	Rem Qty	Description	Code
1	4812110927	1	Hydraulic pump (Page 318)	
2	4700904231	2	Washer 13x24x2 300 HV	C
3	4700500046	2	Screw M12x025H	C
4	4700791231	1	Elbow 90°	D
5	4812113633	1	Flange connector	
6	4700904774	1	O-ring	D
7	4700508048	4	Hexagon socket head cap screw	C
8	4700904586	1	Elbow 45°	C
9	4812113215	1	Hydraulic block	
10	4812114189	1	Straight connector orfs	
11	4700904005	1	O-ring	B
12	4700904637	4	Washer	C
13	4700508060	2	Screw	D
14	4700508014	2	Screw M10x60	D



4812110927 Hydraulic pump

Item	Part No	Rem Qty	Description	Code
	4812110927	1	Hydraulic pump (Page 318)	
1		1	. Snap ring	
2		1	. Shaft seal	
3		1	. Mounting flange	
4		2	. Back-up ring	
5		2	. Seal	
6		4	. Bearing block	
7		4	. O-ring	
8		4	. Dowel pin 1	
9		1	. Gear housing 1	
10		1	. Gear housing 2	
11		2	. Dowel pin 2	
12		1	. Drive gear 1	
13		1	. Idler gear 1	
14		1	. Drive gear 2	
15		1	. Idler gear 2	
16		1	. Coupling	
17		1	. Distance plate	
18		2	. Back-up ring	
19		2	. Seal	
20		1	. End cover	
21		4	. Screw	
22	4812158395	1	. Seal kit, cpl ,	

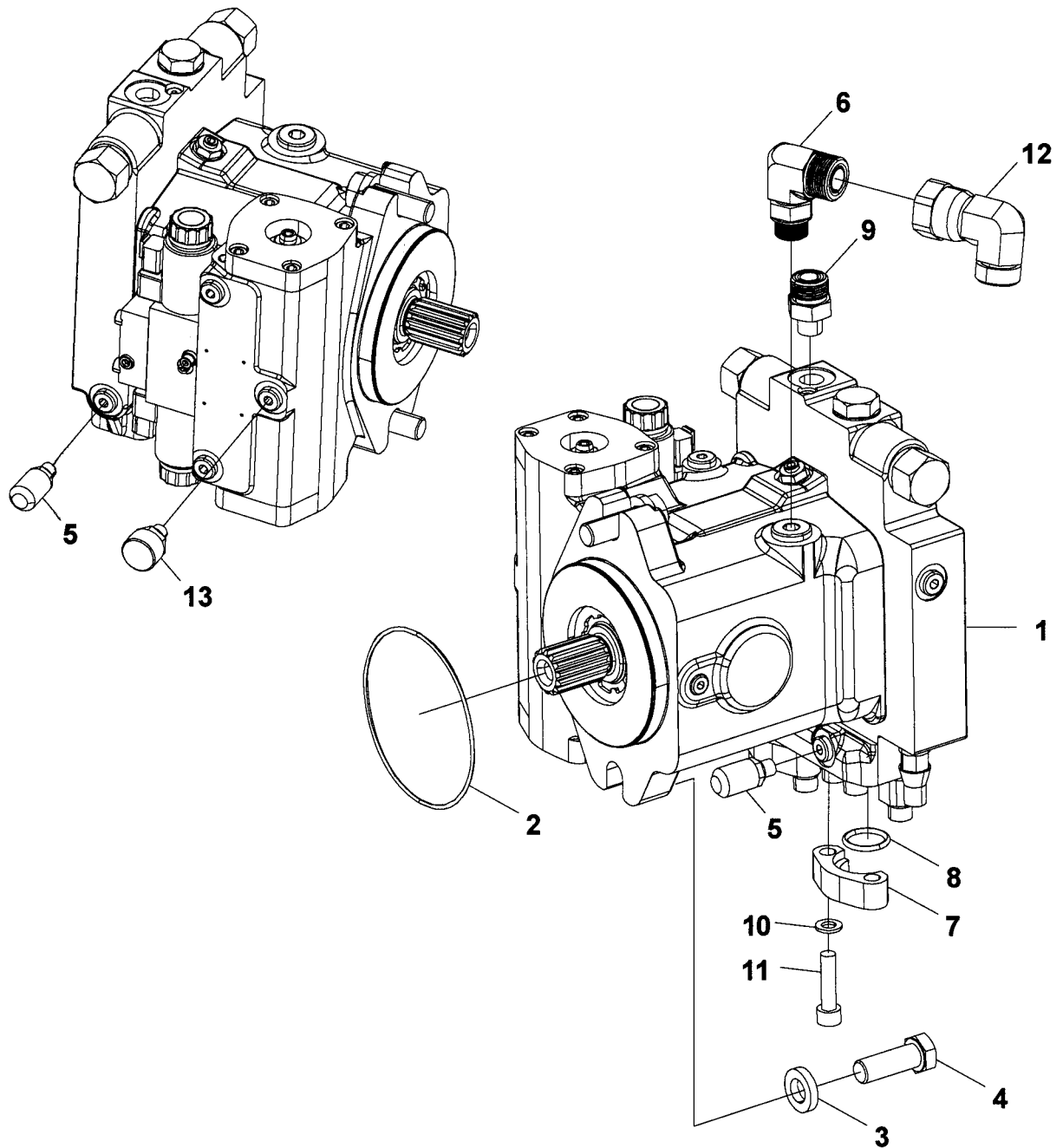
Hydraulic system, engine room Adjustable frequency, eco opti



Hydraulic system, engine room Adjustable frequency, eco opti

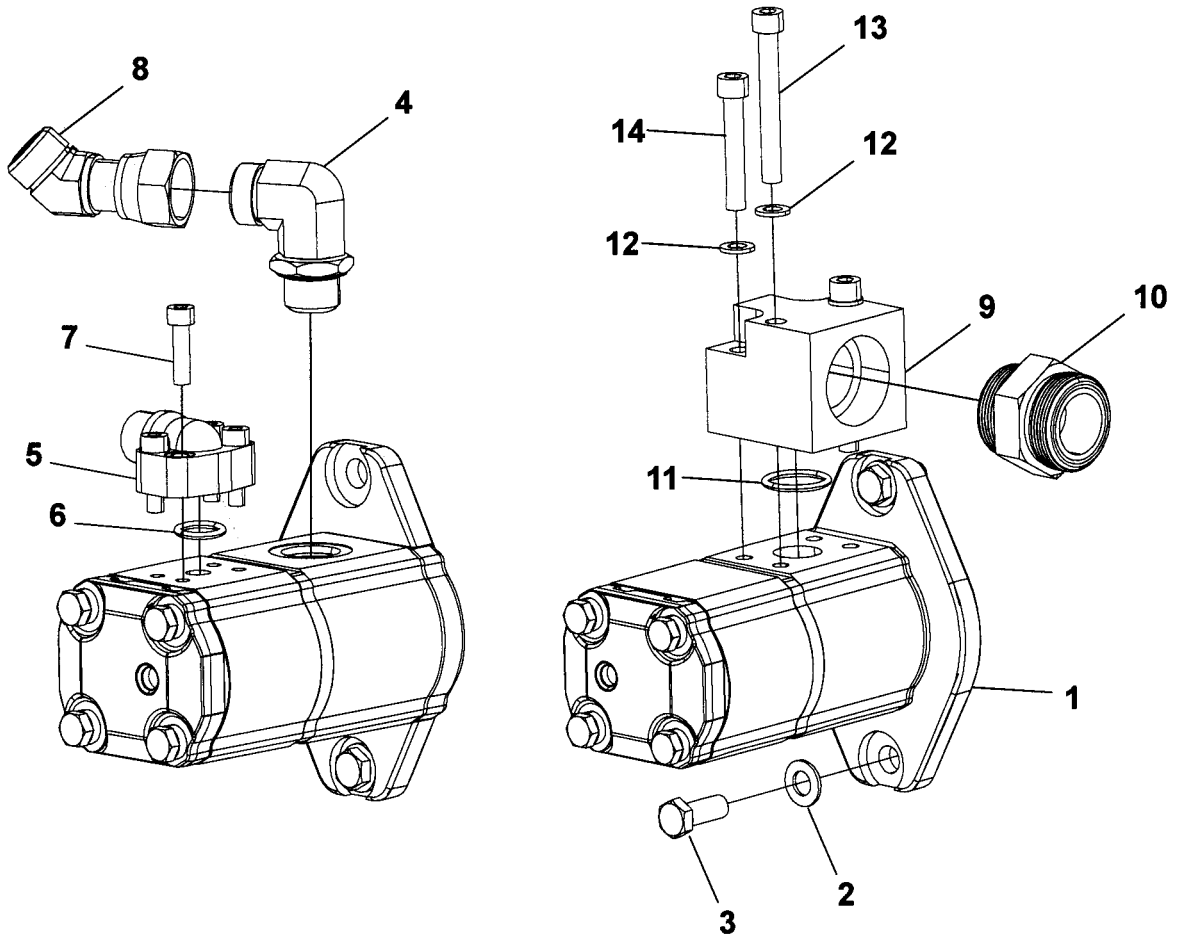
Item	Part No	Rem Qty	Description	Code
1		1	Hydraulic pump module (Page 304)	
2		1	Hydraulic pump (Page 322)	
3		1	Hydraulic oil filter assy (Page 314)	
4	4811000212	1	Hydraulic hose	C
5	4811000412	1	Hydraulic hose	
6	4811000410	1	Hydraulic hose	
7	4812114514	1	Hydraulic hose	
8	4812114515	1	Hydraulic hose	
9	4812114516	1	Hydraulic hose	
10	4812114517	1	Hydraulic hose	
11	4812114518	1	Hydraulic hose	
12	4812114519	1	Hydraulic hose	C
13	4812117324	1	Hydraulic hose	
14	4700791805	2	Stud	D
15	4700791711	2	Pipe clamp	D
16	4812113941	2	Hose holder clip	D
17	4700791712	2	Cover plate	D
18	4700902286	2	Hexagon lock nut with flange	C
19		A	1 Hydraulic pump module (Page 316)	
		B	1 Hydraulic pump module (Page 324)	

- A) Adjustable frequency, option.
- B) Eco, option.



Hydraulic pump

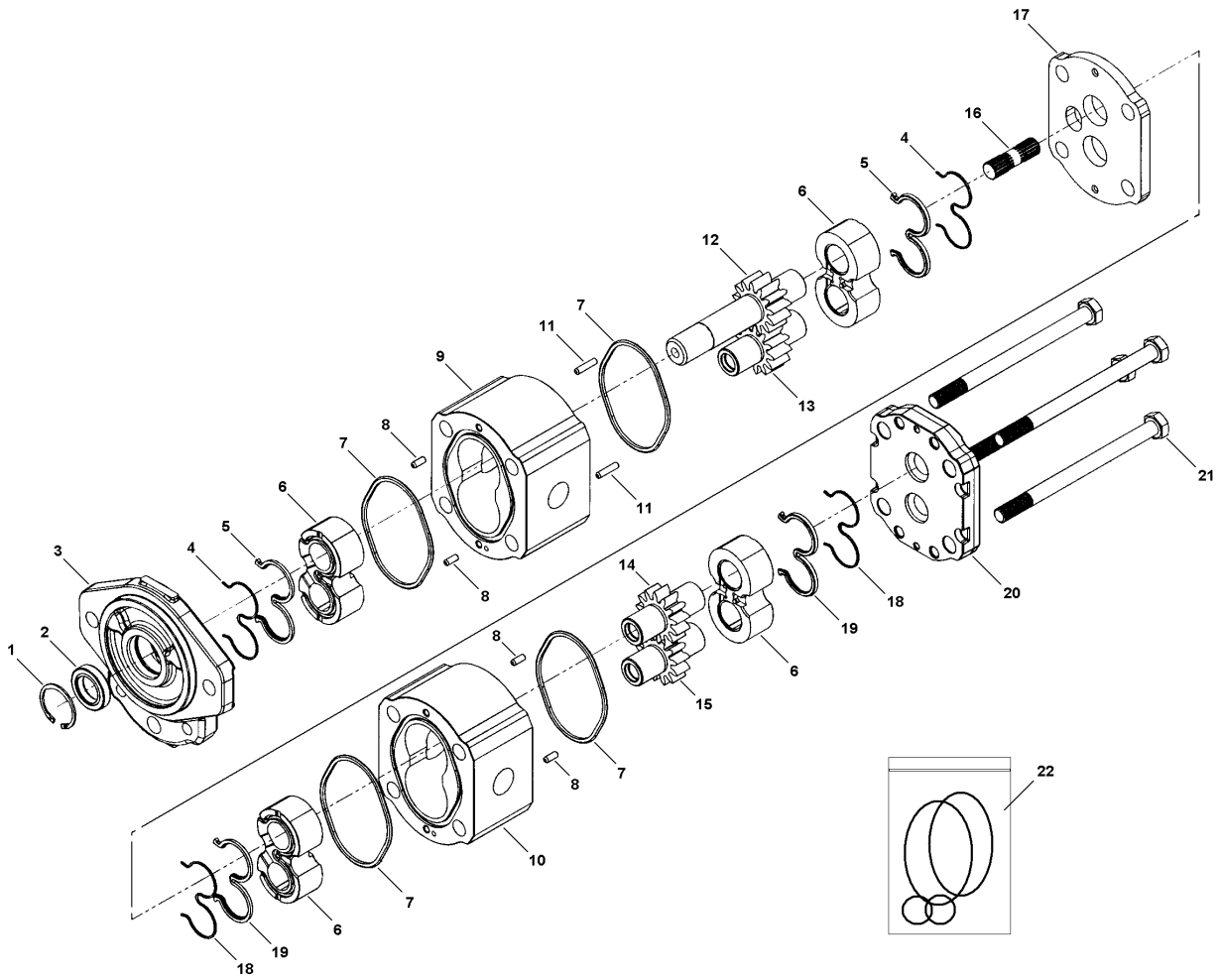
Item	Part No	Rem Qty	Description	Code
1	4812112180	1	Hydraulic pump	
2	4700160231	1	O-ring 120,32x2,62	D
3	4700904558	2	Washer 17X30X6 300HV	C
4	4700500070	2	Screw M16x50	C
5	4700901157	2	Measuring nipple	C
6	4811000417	1	Connector elbow 90 orfs	
7	4700929226	4	Flange half	C
8	4700904004	2	O-ring	C
9	4700792465	1	Straight connector orfs	D
10	4700904637	8	Washer	C
11	4700508080	8	Screw	
12	4700904584	1	Elbow connector 90°	C
13	4812116781	1	Oil filling plug	



Hydraulic pump module

Item	Part No	Rem Qty	Description	Code
1	4812112192	1	Hydraulic pump (Page 326)	
2	4700904231	2	Washer 13x24x2 300 HV	C
3	4700500046	2	Screw M12x025H	C
4	4700791231	1	Elbow 90°	D
5	4812113633	1	Flange connector	
6	4700904774	1	O-ring	D
7	4700508048	4	Hexagon socket head cap screw	C
8	4700904586	1	Elbow 45°	C
9	4812113621	1	Hydraulic block	
10	4812114189	1	Straight connector orfs	
11	4700904171	1	O-ring	C
12	4700904637	4	Washer	C
13	4700508060	2	Screw	D
14	4700508014	2	Screw M10x60	D

4812112192 Hydraulic pump



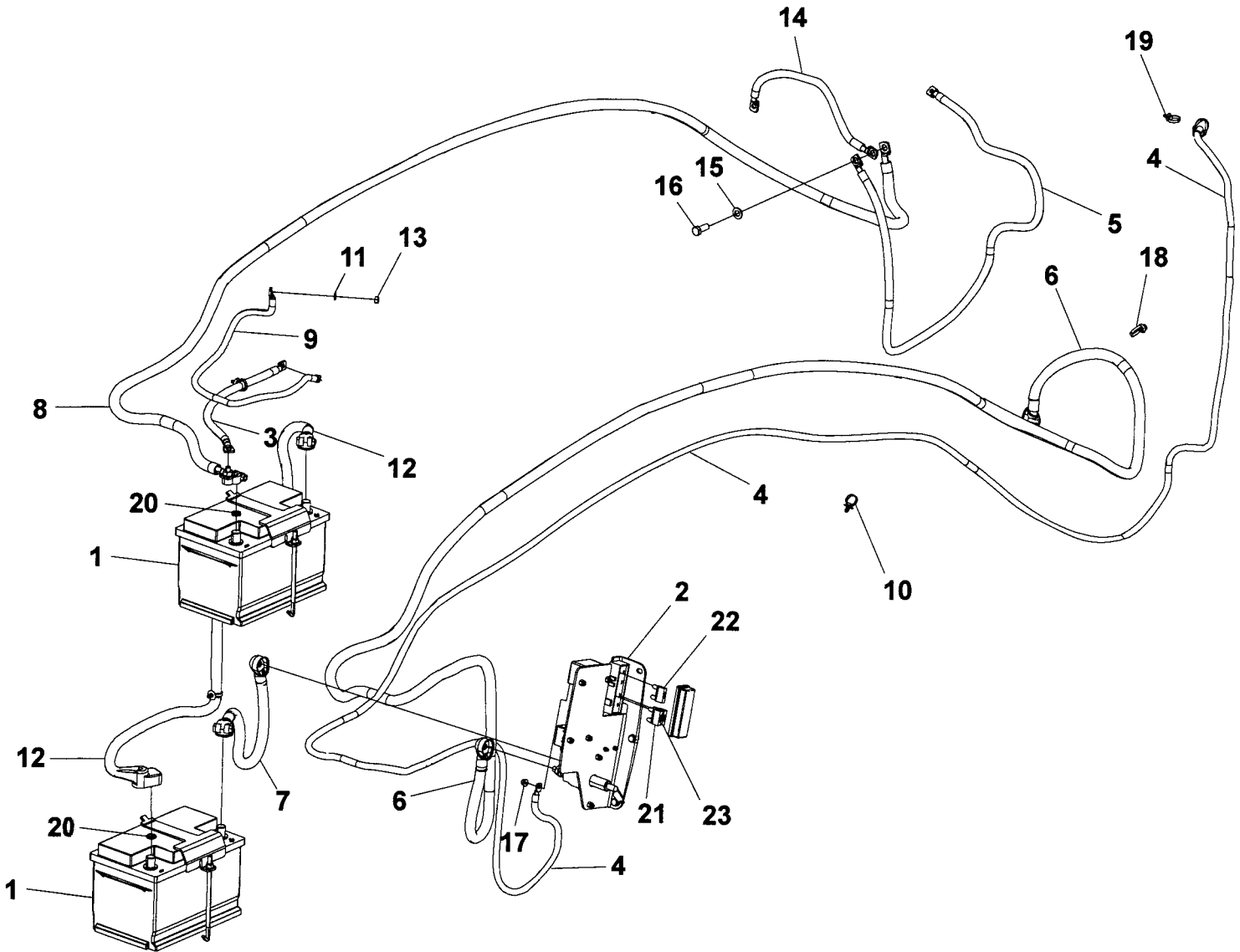
4812112192 Hydraulic pump

Item	Part No	Rem Qty	Description	Code
	4812112192	1	Hydraulic pump (Page 326)	
1		1	. Snap ring	
2		1	. Shaft seal	
3		1	. Mounting flange	
4		2	. Back-up ring	
5		2	. Seal	
6		4	. Bearing block	
7		4	. O-ring	
8		4	. Dowel pin 1	
9		1	. Gear housing 1	
10		1	. Gear housing 2	
11		2	. Dowel pin 2	
12		1	. Drive gear 1	
13		1	. Idler gear 1	
14		1	. Drive gear 2	
15		1	. Idler gear 2	
16		1	. Coupling	
17		1	. Distance plate	
18		2	. Back-up ring	
19		2	. Seal	
20		1	. End cover	
21		4	. Screw	
22	4812158395	1	. Seal kit, cpl ,	

Electric equipment

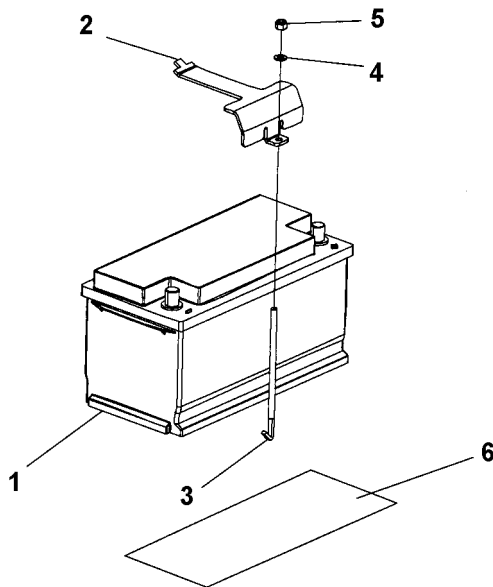
Item	Part No	Rem Qty	Description	Code
1		1	Electric cables, power supply, 1-pole (Page 330)	
2		1	Electric cables, power supply, 2-pole, option (Page 336)	
3		1	Electrical cables, engine - ECU Horn, back-up alarm (Page 340)	
4		1	Driving & side direction lights, number plate light, option (Page 354)	
5		1	Reversing light, option (Page 366)	
6		1	GPS equipment module, option (Page 370)	
7		1	Rotating beacon, working light, option (Page 378)	
8		1	Speed sensor, frequency sensor, option (Page 386)	
9		1	Pre-heater installation, option (Page 390)	
10		1	Cable harness kit Power supply cab (Page 394)	
11		1	Compaction meter, option (Page 396)	
12		1	Tachograph, option (Page 400)	
13		1	Displacement shift (Page 406)	
14		1	External emergency stop, option (Page 408)	

Electric cables, power supply, 1-pole



Electric cables, power supply, 1-pole

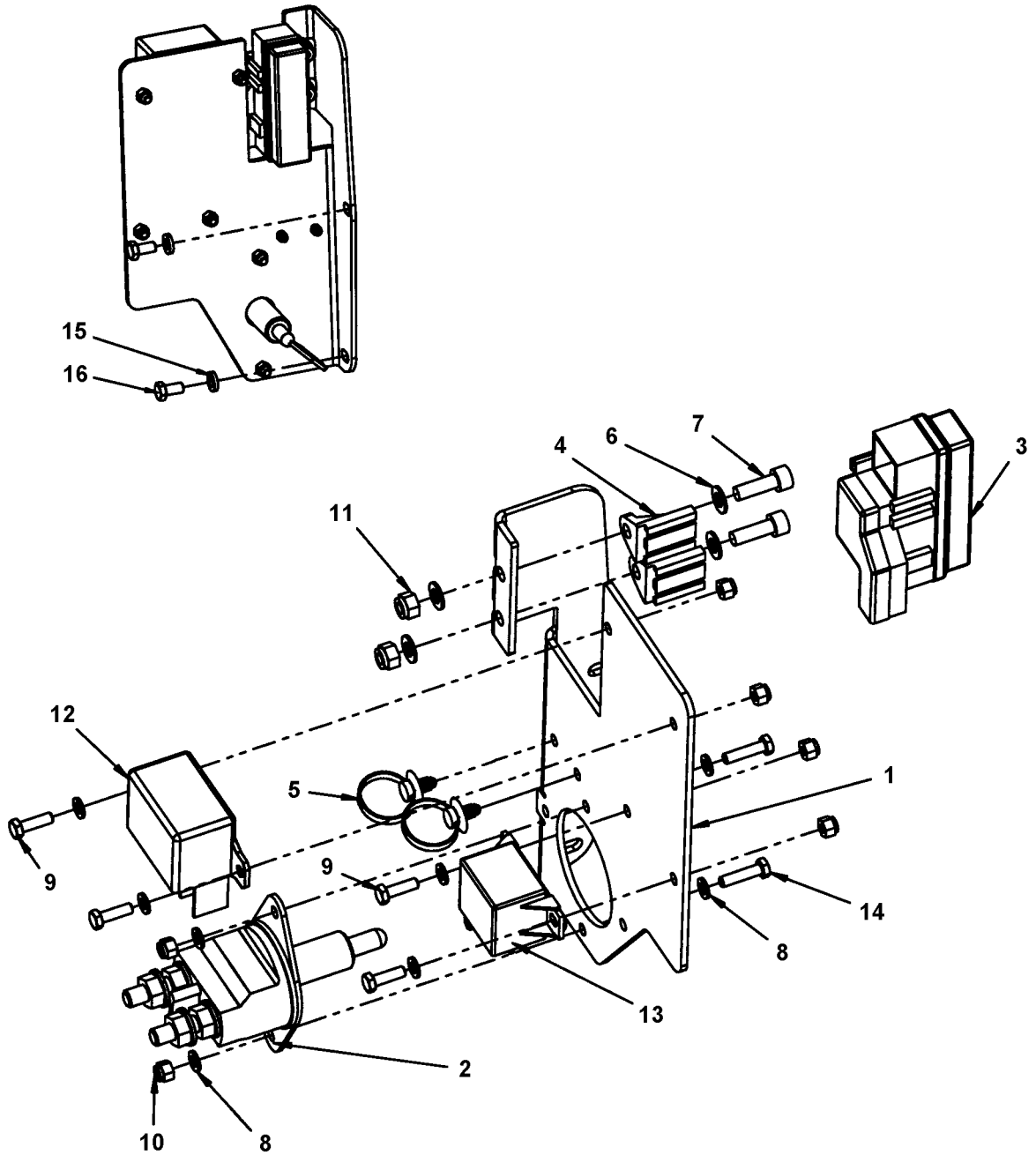
Item	Part No	Rem Qty	Description	Code
1		2	Battery module (Page 332)	
2		1	Battery disconnecter module (Page 334)	
3	4811000178	1	Connection cable, coarse	
4	4812115912	1	Connection cable	
5	4700792769	1	Connection cable, coarse	
6	4812118751	1	Connection cable, coarse	
7	4811000176	1	Battery cable	
8	4812118752	1	Battery cable	
9	4700791518	1	Connection cable, coarse	D
10	4700792441	N	Cable tie with holder	C
11	4700904229	1	Steel plain washer 8,4x16x1,5	C
12	4812118467	1	Battery union cable	
13	4700570005	1	Nut M8	C
14	4700335607	1	Connection cable, coarse	B
15	4700904231	1	Washer 13x24x2 300 HV	C
16	4700500046	1	Screw M12x025H	C
17	4700570101	1	Nut M6	D
18	4700792602	1	Cable tie with holder	
19	4812115911	1	Cable tie with holder	
20	4812118154	2	Spacer	
21	4700791450	1	Fuse 100A Violet High	
22	4700904039	1	Fuse 50A Red High	A
23	4700904037	1	Fuse 30A	A



Battery module

Item	Part No	Rem Qty	Description	Code
1		1	Battery 12V, 74 Ah (278x175x190)	
2	4700396634	1	Battery holder	D
3	4700396635	1	Battery screw	D
4	4700904229	1	Steel plain washer 8,4x16x1,5	C
5	4700586003	1	Lock nut M8	C
6	4700355608	1	Slip protection	D

Battery disconnecter module



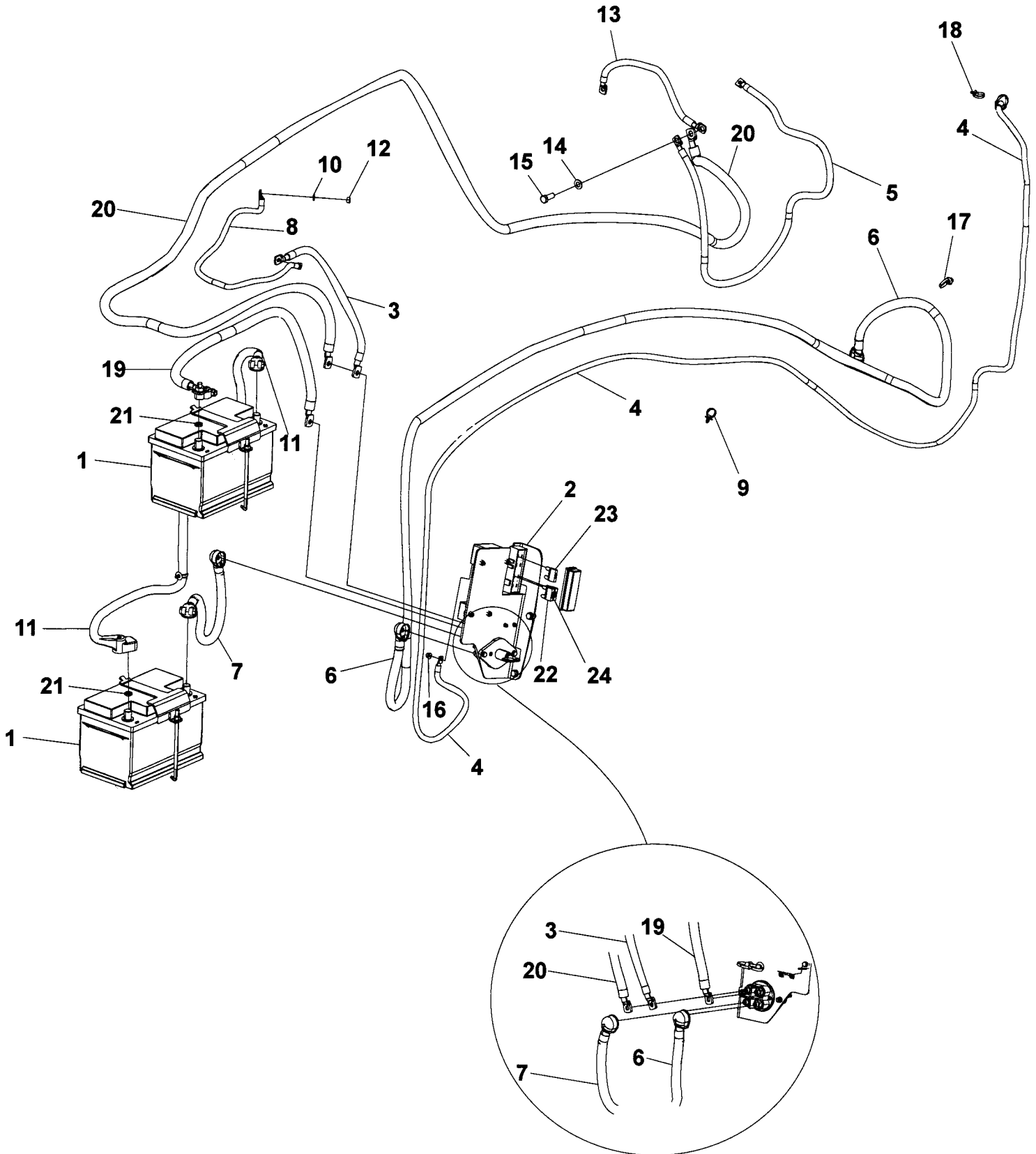
Battery disconnecter module

Item	Part No	Rem	Qty	Description	Code
1	4812116861		1	Holder	
2	4700903640		1	Battery switch	D
3	4812111981		1	Fuse holder	
4	4812112000		2	Fuse holder	
5	4700792441		2	Cable tie with holder	C
6	4700904229		4	Steel plain washer 8,4x16x1,5	C
7	4700508019		2	Screw M8x25 8.8	C
8	4700904228		8	Washer 6,4x12x1,5	C
9	4700500040		4	Screw M6-1x20 8,8	C
10	4700586002		6	Lock nut M6 -8	C
11	4700586003		2	Lock nut M8	C
12	4700792310	B	1	Relay 120A	
13	4700792309	A	1	Relay 50A	D
14	4700500075		2	Screw M6-1,0x25 8.8	C
15	4700904556		2	Washer 8,4x16x3,0	C
16	4700500019		2	Hexagon head screw M8x16H 8,8	C

A) Starter relay.

B) Grid heater relay.

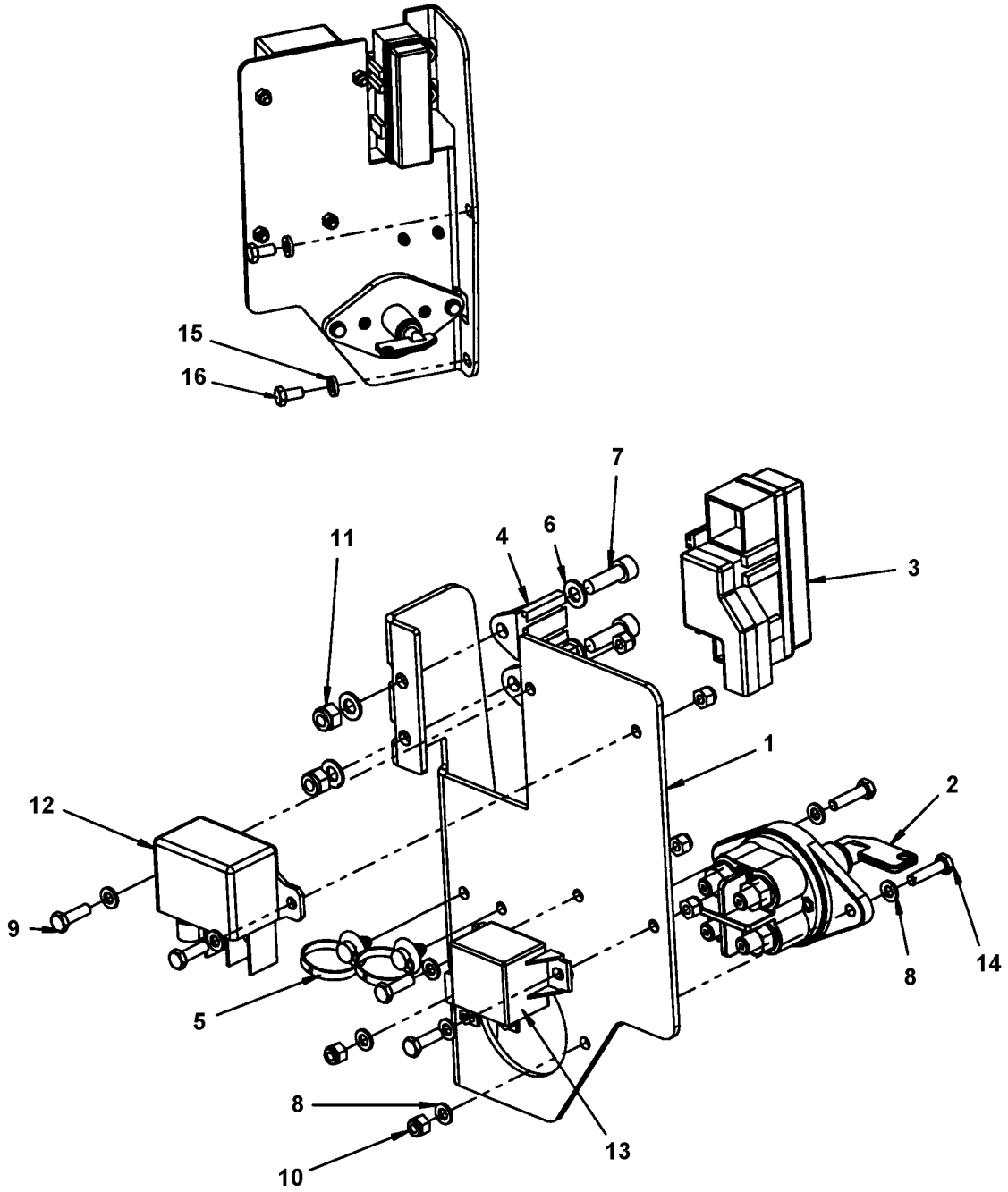
Electric cables, power supply, 2-pole, option



Electric cables, power supply, 2-pole, option

Item	Part No	Rem Qty	Description	Code
1		2	Battery module (Page 332)	
2		1	Battery disconnecter, 2-pole (Page 338)	
3	4812118385	1	Connection cable, coarse	
4	4812115912	1	Connection cable	
5	4700792769	1	Connection cable, coarse	
6	4812118751	1	Connection cable, coarse	
7	4811000176	1	Battery cable	
8	4700791518	1	Connection cable, coarse	D
9	4700792441	N	Cable tie with holder	C
10	4700904229	1	Steel plain washer 8,4x16x1,5	C
11	4812118467	1	Battery union cable	
12	4700570005	1	Nut M8	C
13	4700335607	1	Connection cable, coarse	B
14	4700904231	1	Washer 13x24x2 300 HV	C
15	4700500046	1	Screw M12x025H	C
16	4700570101	1	Nut M6	D
17	4700792602	1	Cable tie with holder	
18	4812115911	1	Cable tie with holder	
19	4812116362	1	Battery cable	
20	4812116972	1	Connection cable, coarse	
21	4812118154	2	Spacer	
22	4700791450	1	Fuse 100A Violet High	
23	4700904039	1	Fuse 50A Red High	A
24	4700904037	1	Fuse 30A	A

Battery disconnecter, 2-pole



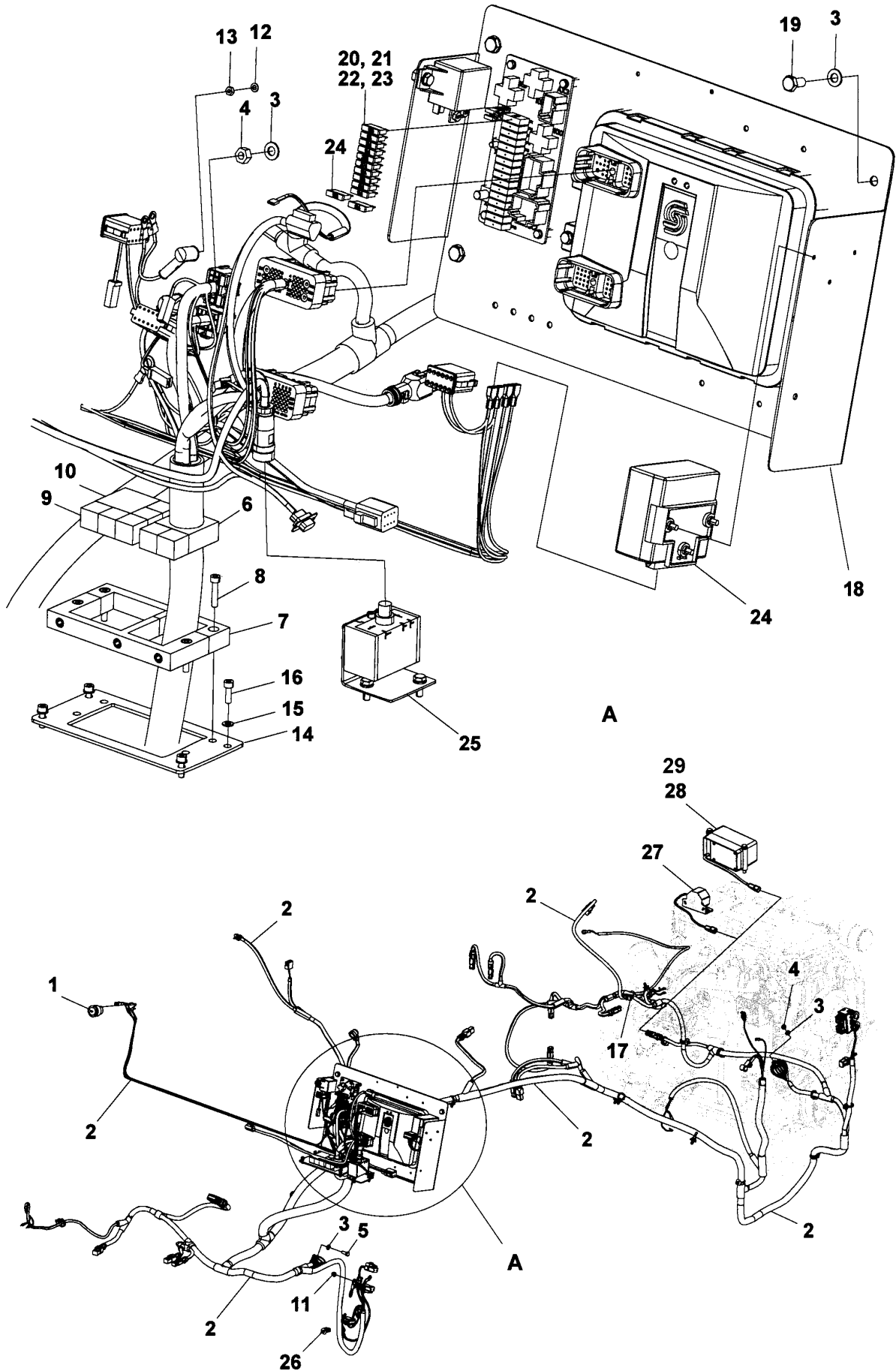
Battery disconnecter, 2-pole

Item	Part No	Rem	Qty	Description	Code
1	4812116861		1	Holder	
2	4812116877		1	Battery switch	
3	4812111981		1	Fuse holder	
4	4812112000		2	Fuse holder	
5	4700792441		2	Cable tie with holder	C
6	4700904229		4	Steel plain washer 8,4x16x1,5	C
7	4700508019		2	Screw M8x25 8.8	C
8	4700904228		8	Washer 6,4x12x1,5	C
9	4700500040		4	Screw M6-1x20 8,8	C
10	4700586002		6	Lock nut M6 -8	C
11	4700586003		2	Lock nut M8	C
12	4700792310	B	1	Relay 120A	
13	4700792309	A	1	Relay 50A	D
14	4700500075		2	Screw M6-1,0x25 8.8	C
15	4700904556		2	Washer 8,4x16x3,0	C
16	4700500019		2	Hexagon head screw M8x16H 8,8	C

A) Starter relay.

B) Grid heater relay.

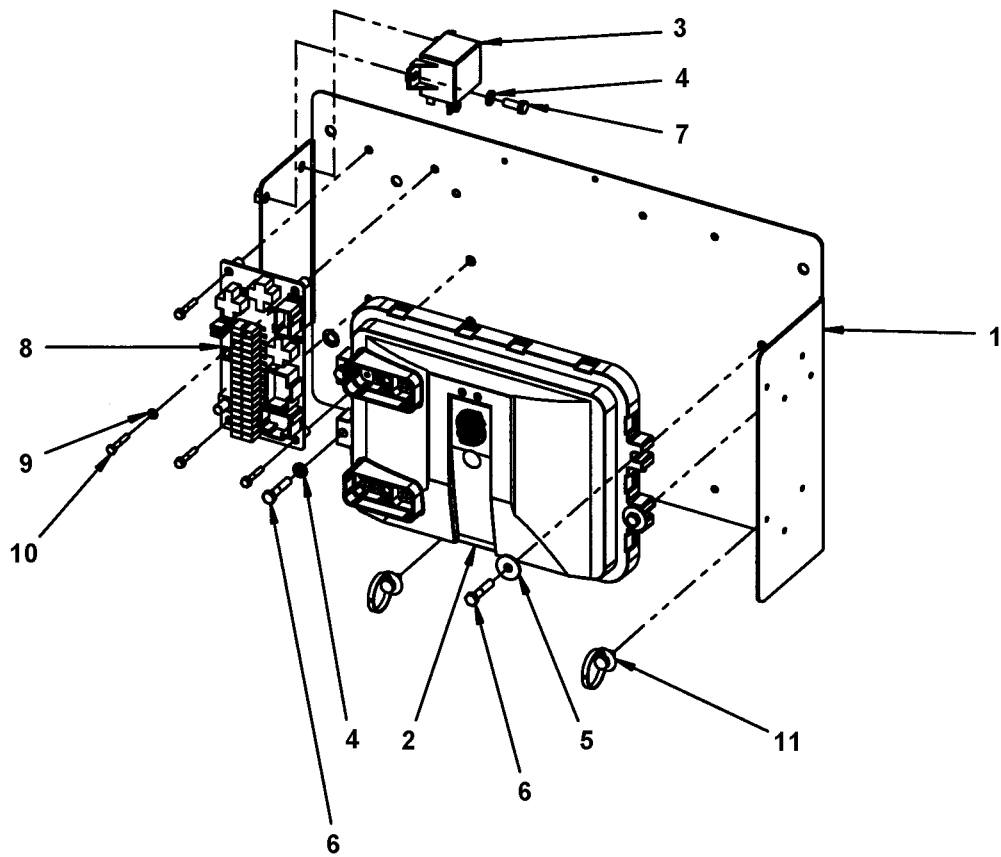
Electrical cables, engine - ECU Horn, back-up alarm



Electrical cables, engine - ECU Horn, back-up alarm

Item	Part No	Rem	Qty	Description	Code
1	4812110560	A	1	Power socket 12V 16A	D
2	4812114460		1	Wiring harness	
3	4700904229		7	Steel plain washer 8,4x16x1,5	C
4	4700570005		2	Nut M8	C
5	4700500053		1	Screw M8x20H 8.8	C
6	4812112067		1	Cable entry insert	
7	4812112065		1	Cable entry frame	
8	4700508023		4	Hexagon socket head cap screw	
9	4812112066		7	Cable entry insert	
10	4812112070		1	Cable entry insert	
11	4700902285		1	Hexagon lock nut with flange	C
12	4700904698		1	Washer 4,3x8x0,8	C
13	4700570002		1	Nut M4	C
14	4812114426		1	Holder	
15	4700904281		4	Washer 5,3x10x1 300HV	C
16	4700926537		4	Screw M5-0,8x16H 8,8	
17	4700792537		1	Cable tie with holder	
18			1	Standard ECU assembly (Page 342)	
19	4700500019		4	Hexagon head screw M8x16H 8,8	C
20	4700901225		1	Fuse 5A	A
21	4700901227		7	Fuse 10A	A
22	4700903741		2	Fuse 20A Yellow Medium	A
23	4700901228		1	Fuse 15A	A
24			1	Power converter module (Page 344)	
25			1	Inclination sensor module (Page 346)	
26	4700792441		N	Cable tie with holder	C
27			1	Back-up alarm module (Page 348)	
28		B	1	Back-up alarm module (Page 350)	
29			1	Bracket module (Page 352)	

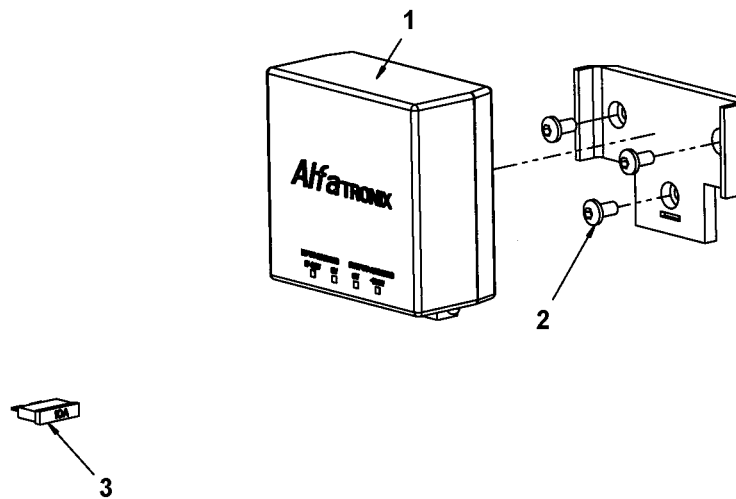
- A) Option.
B) Quacker.



Standard ECU assembly

Item	Part No	Rem	Qty	Description	Code
1	4812114619		1	Mounting plate	
2	4700390860		1	Control unit	
3	4700792309	A	1	Relay 50A	D
4	4700904228		4	Washer 6,4x12x1,5	C
5	4700928467		2	Washer	C
6	4700500015		4	Screw M6X30 8.8	C
7	4700500013		2	Screw M6-1x16 8,8	C
8	4812114655		1	Circuit board	
9	4700904698		4	Washer 4,3x8x0,8	C
10	4700904312		4	Screw M4x25 8,8	
11	4700792441		2	Cable tie with holder	C

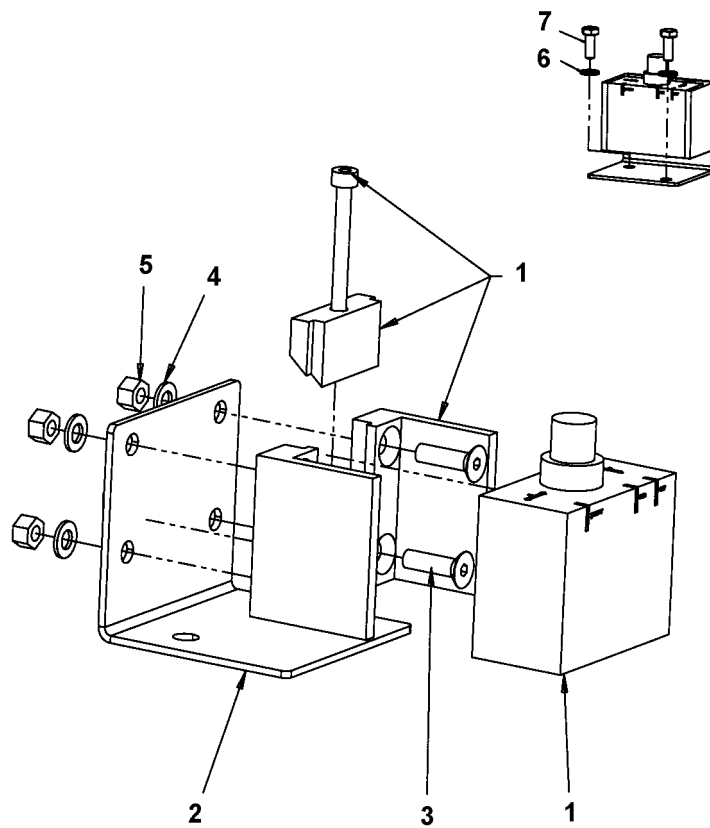
A) Main.



Power converter module

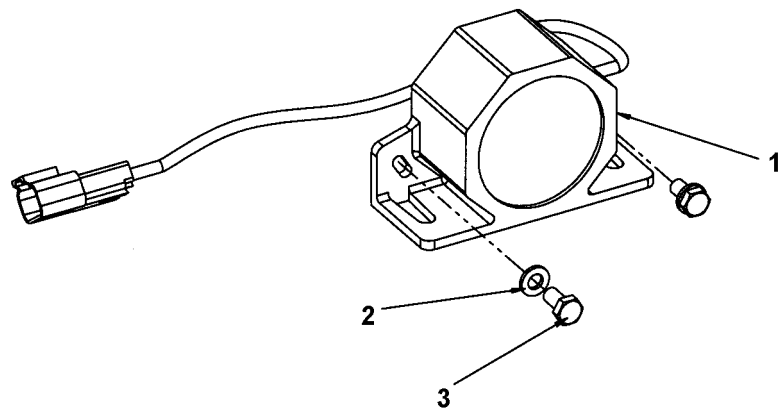
Item	Part No	Rem Qty	Description	Code
1	4812112017	1	Power converter	
2	4700792210	3	Screw torx	
3	4700901227	1	Fuse 10A	A

Inclination sensor module



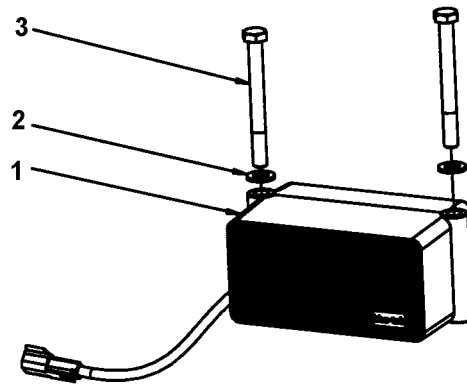
Inclination sensor module

Item	Part No	Rem Qty	Description	Code
1	4812112686	1	Inclination sensor	
2	4812112691	1	Holder	
3	4700904504	4	Screw M5 x 18	C
4	4700904281	4	Washer 5,3x10x1 300HV	C
5	4700570003	4	Nut M5	C
6	4700904228	2	Washer 6,4x12x1,5	C
7	4700500013	2	Screw M6-1x16 8,8	C



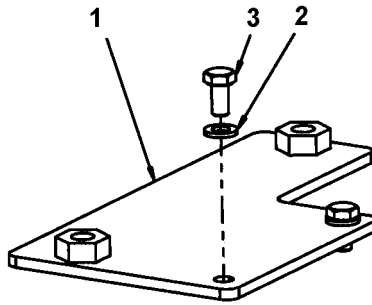
Back-up alarm module

Item	Part No	Rem Qty	Description	Code
1	4700904911	1	Back-up alarm 97 dB	
2	4700904228	2	Washer 6,4x12x1,5	C
3	4700500012	2	Screw M6x12	C



Back-up alarm module

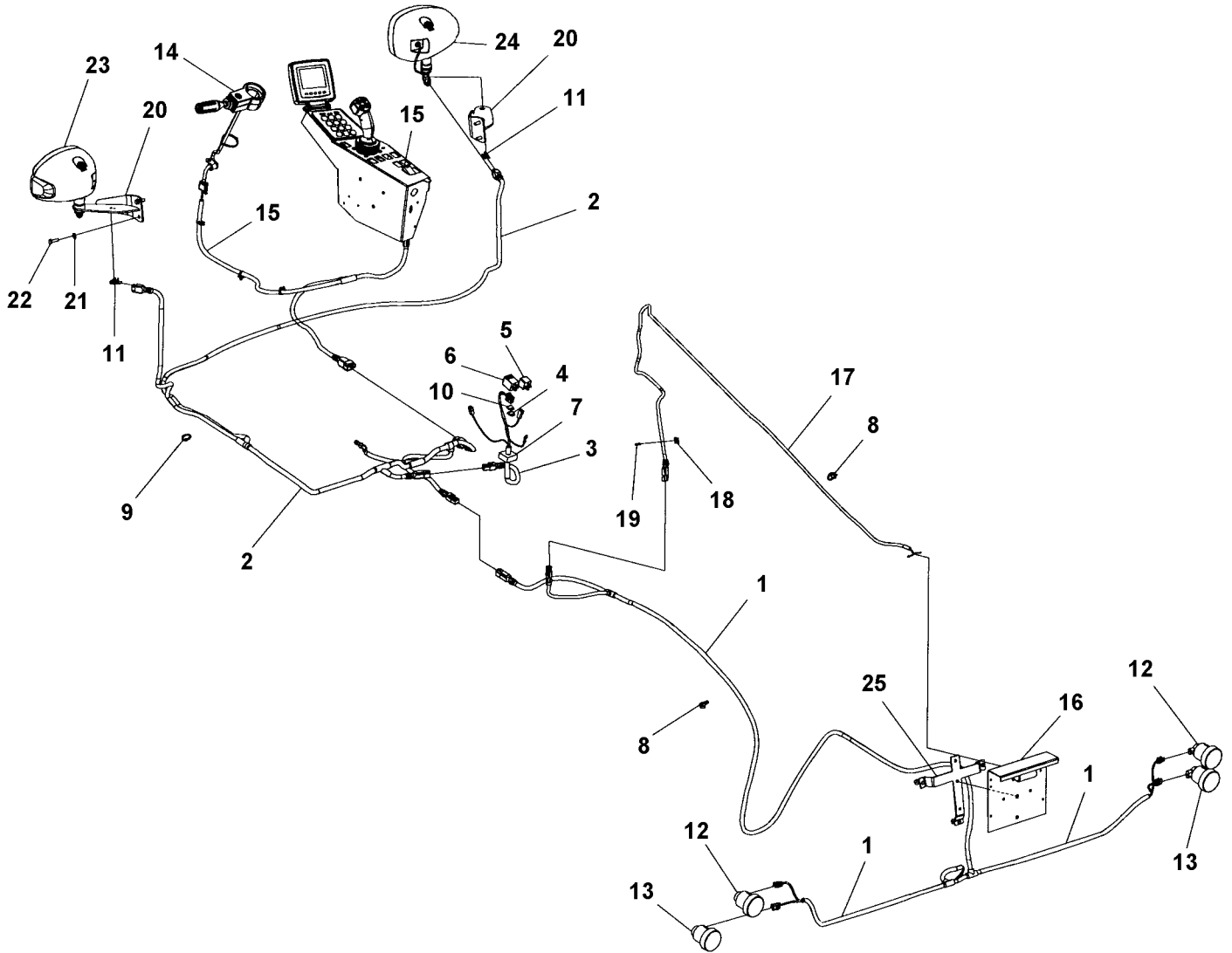
Item	Part No	Rem Qty	Description	Code
1	4812117108	1	Back-up alarm	
2	4700904570	2	Steel plain washer	
3	4700792776	2	Hexagon head screw	



Bracket module

Item	Part No	Rem Qty	Description	Code
1	4812117149	1	Bracket	
2	4700904228	2	Washer 6,4x12x1,5	C
3	4700500012	2	Screw M6x12	C

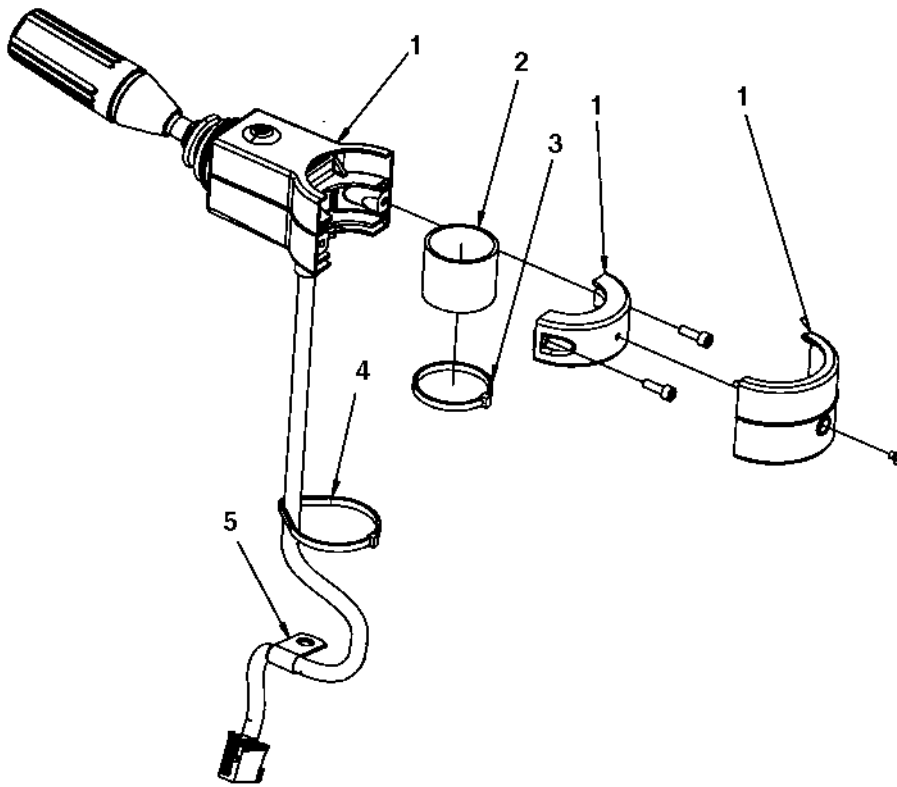
Driving & side direction lights, number plate light, option



Driving & side direction lights, number plate light, option

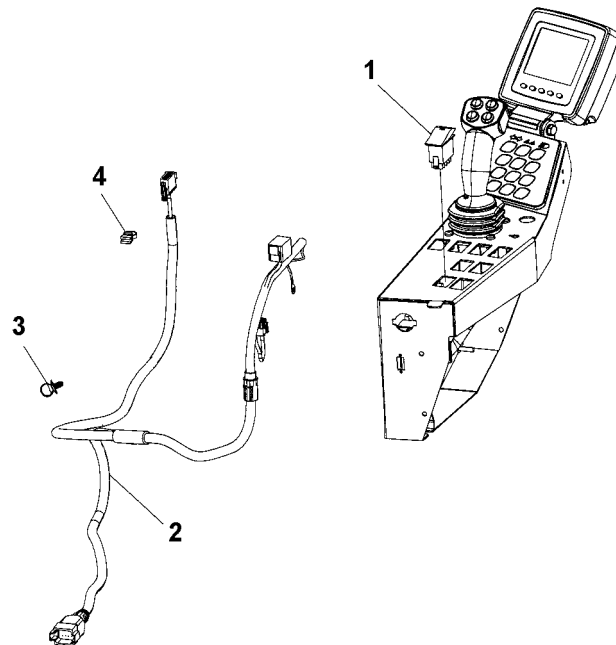
Item	Part No	Rem	Qty	Description	Code
1	4812110884		1	Cable harness	
2	4812112374		1	Cable harness	
3	4812114656		1	Cable harness	
4	4700901227		1	Fuse 10A	A
5	4700792422		1	Relay 20A	
6	4811000163		1	Flash relay	
7	4811000429		1	Cable entry insert	
8	4700792441		26	Cable tie with holder	C
9	4700313041		11	Cable ties L=200 mm	B
10	4700901226		1	Fuse 7.5A	
11	4812114873		2	Connector holder	
12	4700792520		2	Direction indicator	
13	4700792519		2	Brake/position light	
14			1	Steering column switch module (Page 356)	
15			1	Cable harness kit (Page 358)	
16			1	Registration plate light module (Page 360)	
17	4812112916		1	Cable harness	
18	4700395352		5	Cable tie holder	
19	4700313068		5	Cable ties L=100 mm	
20	4812112793		2	Bracket	
21	4700904229		4	Steel plain washer 8,4x16x1,5	C
22	4700500021		4	Screw M8-1,25x25 8.8	C
23	4812113117	A	1	Head light, right hand asymmetric	
	4812113140	A	1	Head light, left hand asymmetric	
24	4812113118	B	1	Head light, right hand asymmetric	
	4812113141	B	1	Head light, left hand asymmetric	
25			1	Holder module Registration plate light (Page 364)	
A)	Left				
B)	Right				

Steering column switch module



Steering column switch module

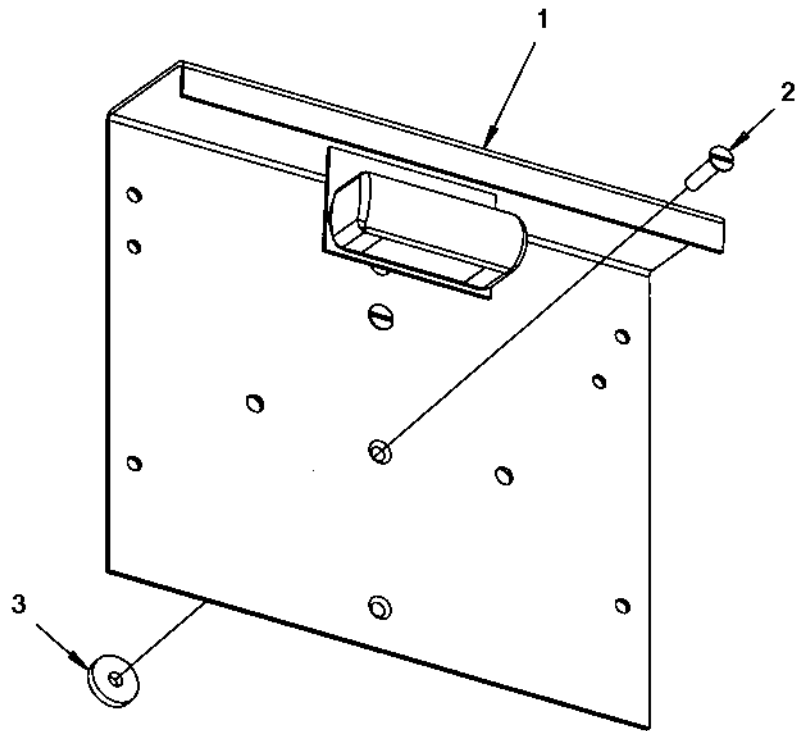
Item	Part No	Rem Qty	Description	Code
1	4700392450	1	Steering column switch	
2	4700392451	1	Rubber cloth	
3	4700313041	1	Cable ties L=200 mm	B
4	4700792609	1	Cable ties	
5	4700921080	1	Clamp	C



Cable harness kit

Item	Part No	Rem Qty	Description	Code
1	4700792398	1	Switch	
2	4812111248	1	Cable harness	
3	4700792441	2	Cable tie with holder	C
4	4700792537	1	Cable tie with holder	

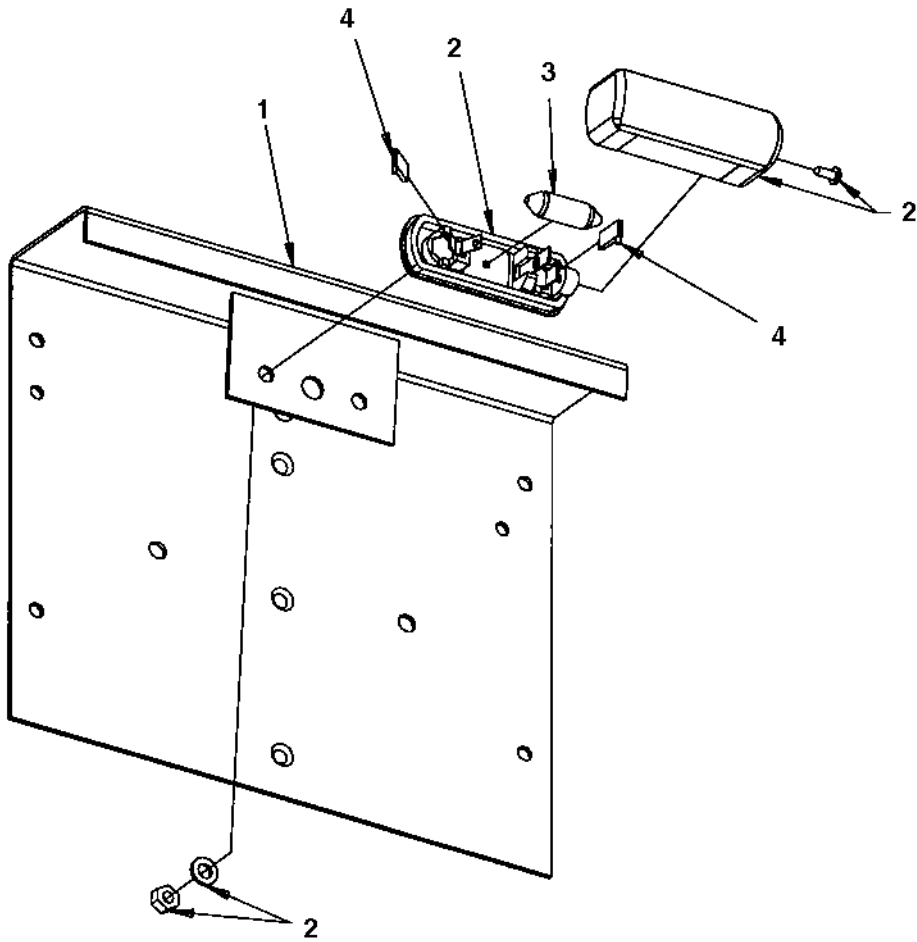
Registration plate light module



Registration plate light module

Item	Part No	Rem Qty	Description	Code
1		1	Registration plate light (Page 362)	
2	4700928784	2	Screw	
3	4700904735	2	Washer	C

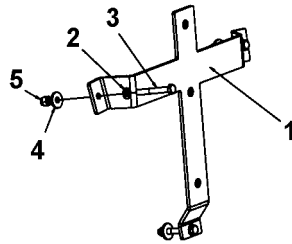
Registration plate light



Registration plate light

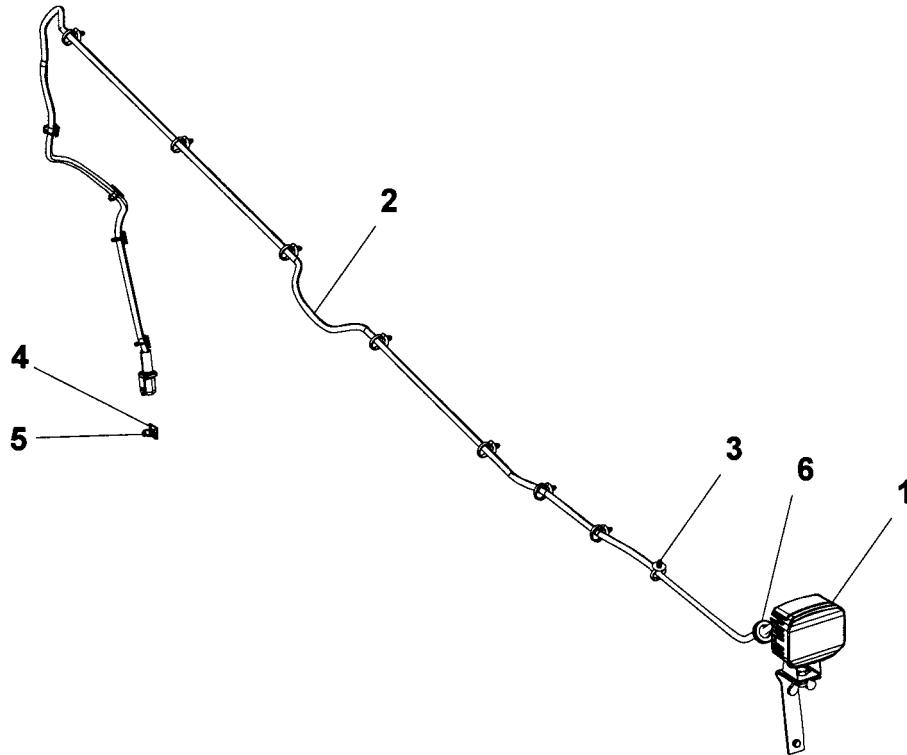
Item	Part No	Rem Qty	Description	Code
1	4700355797	1	Licence plate holder	
2	4700929455	1	Licence plate light	D
3	4700792354	1	Bulb 24V 5W	
4	4700792035	2	Push-on terminal	

Holder module Registration plate light



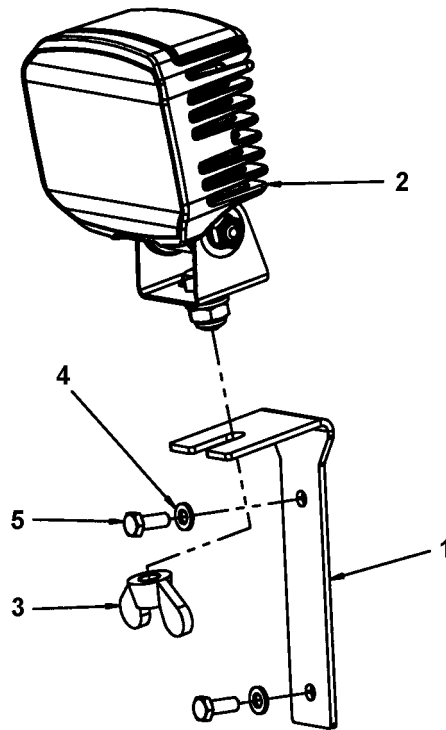
Holder module Registration plate light

Item	Part No	Rem Qty	Description	Code
1	4812112924	1	Holder	D
2	4700904281	3	Washer 5,3x10x1 300HV	C
3	4700500010	3	Screw	D
4	4700601001	3	Washer	C
5	4700586001	3	Lock nut	C



Reversing light, option

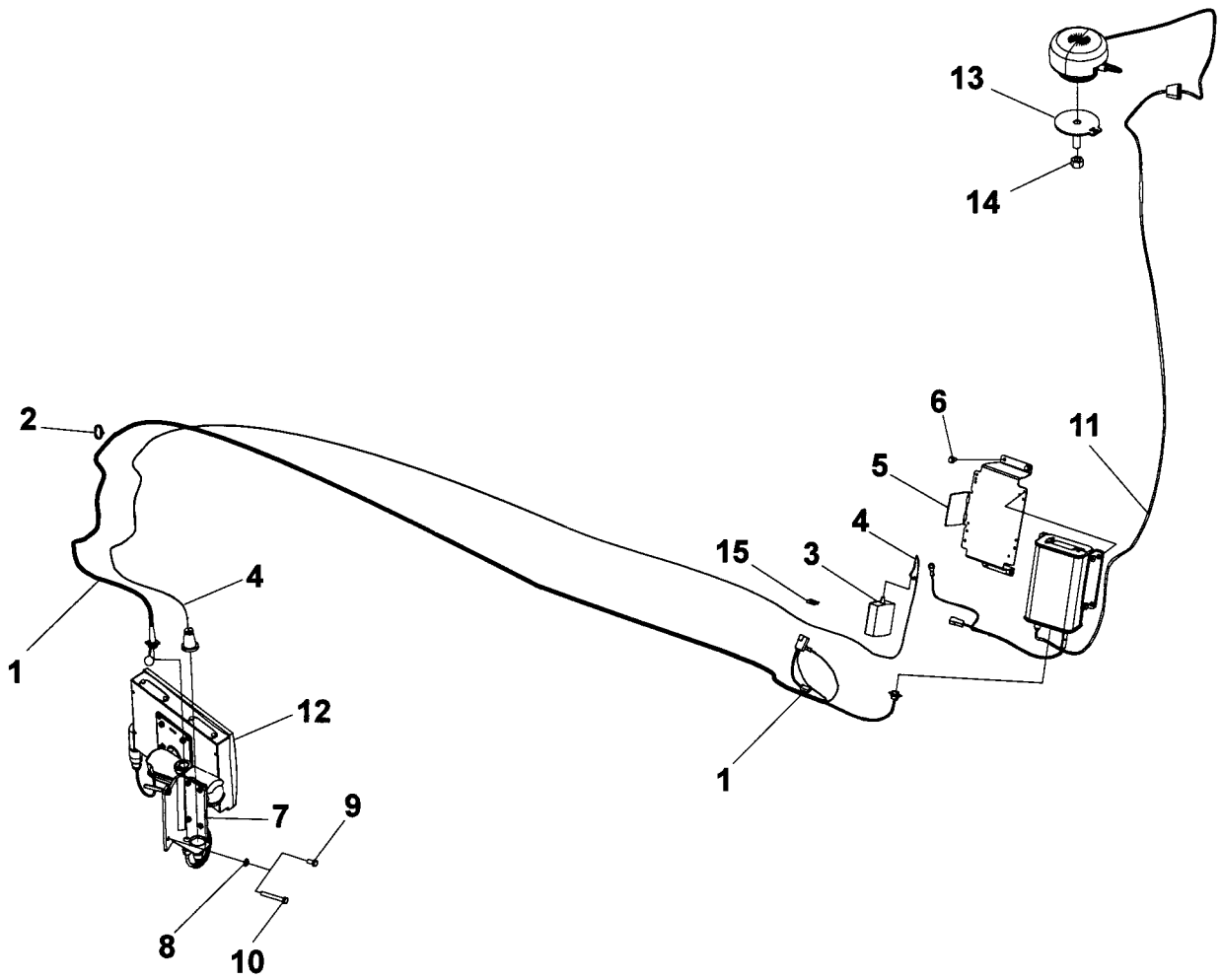
Item	Part No	Rem Qty	Description	Code
1		1	Reversing light (Page 368)	
2	4812116370	1	Wiring harness	
3	4700792441	11	Cable tie with holder	C
4	4700395352	5	Cable tie holder	
5	4700313068	5	Cable ties L=100 mm	
6		1	Grommet with membrane	



Reversing light

Item	Part No	Rem Qty	Description	Code
1	4812116612	1	Holder	
2	4812116611	1	Reversing light	
3	4700582001	1	Wing nut	
4	4700904228	2	Washer 6,4x12x1,5	C
5	4700500013	2	Screw M6-1x16 8,8	C

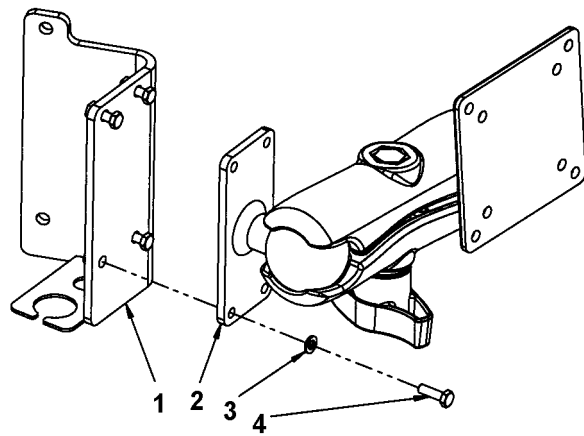
GPS equipment module, option



GPS equipment module, option

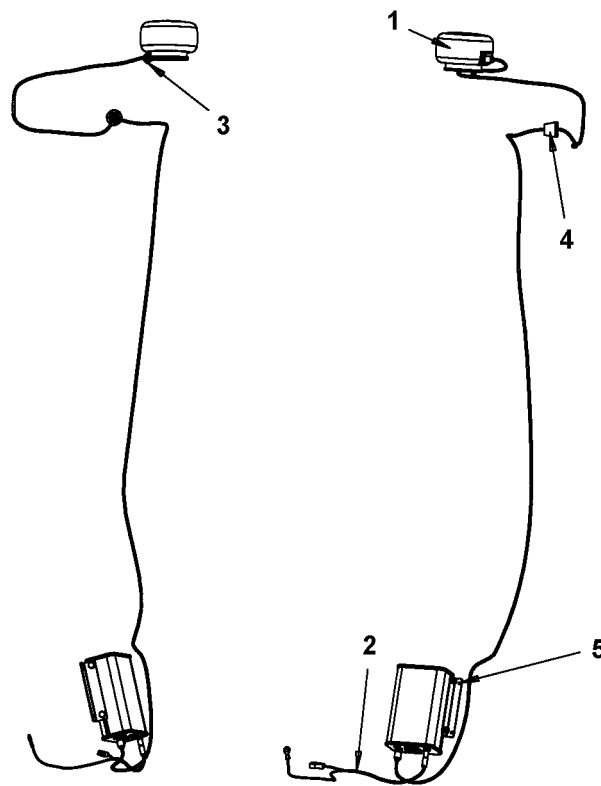
Item	Part No	Rem	Qty	Description	Code
1	4812113167		1	Cable harness	
2	4700313041		6	Cable ties L=200 mm	B
3	4700792660		1	Gateway CAN/BUS	
4	4812115093		1	Cable harness	
5	4700394276		1	Bracket	
6	4700541702		4	Screw M6x12	C
7			1	Holder (Page 372)	
8	4700904229		2	Steel plain washer 8,4x16x1,5	C
9	4700500019		2	Hexagon head screw M8x16H 8,8	C
10	4700500026	A	2	Screw M8-1,25x60 8,8	
11			1	GPS equipment module (Page 374)	
12	4700396119		1	Computer	
13	4700394275		1	Bracket	
14	4700570008		1	Nut M16 -8	C
15	4700901227		1	Fuse 10A	A

A) Used with comfort cab.



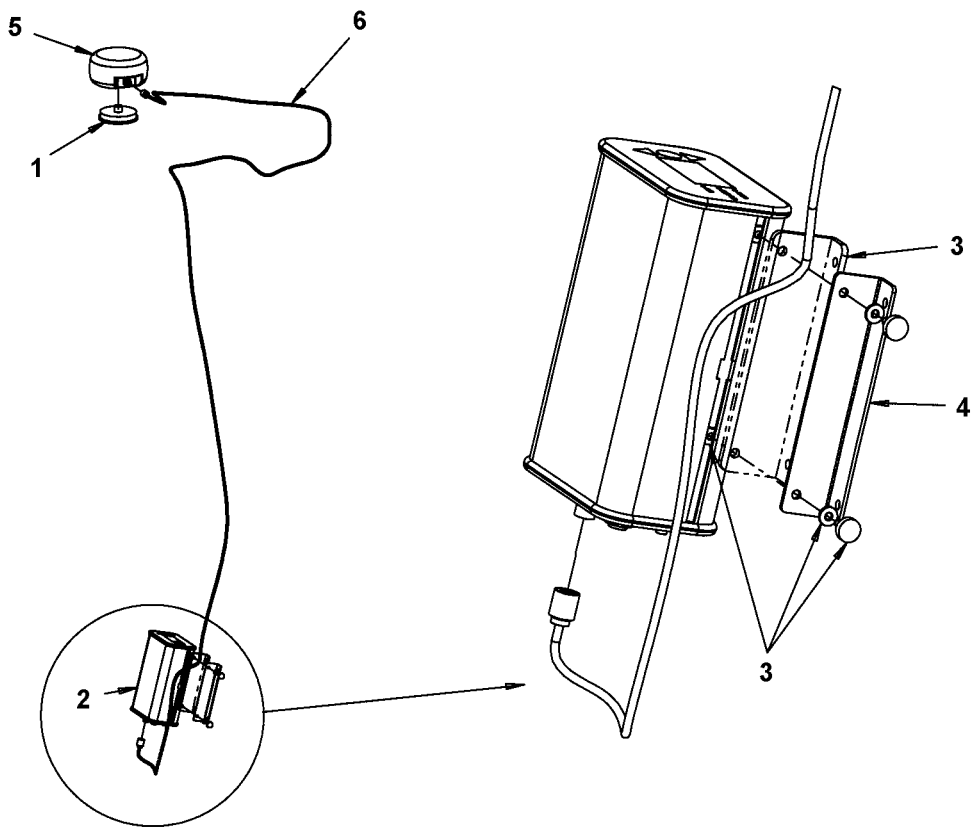
Holder

Item	Part No	Rem Qty	Description	Code
1	4700395888	1	Bracket	
2	4700394542	1	Ball joint	
3	4700904228	4	Washer 6,4x12x1,5	C
4	4700500040	4	Screw M6-1x20 8,8	C



GPS equipment module

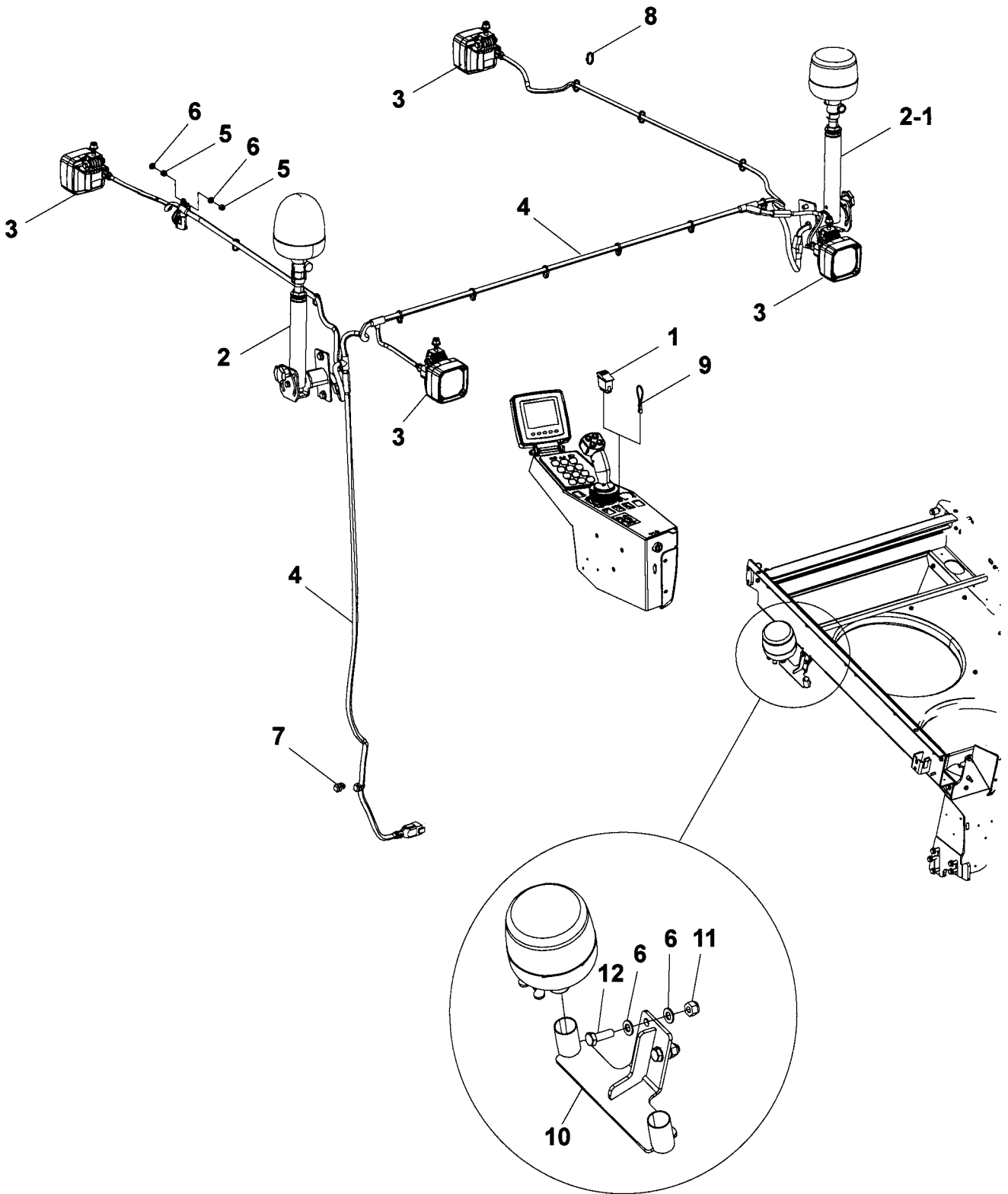
Item	Part No	Rem Qty	Description	Code
1		1	GPS equipment assy (Page 376)	
2	4812113238	1	Cable harness	
3	4700313041	N	Cable ties L=200 mm	B
4	4700792392	1	Grommet with membrane	
5	4700792210	4	Screw torx	



GPS equipment assy

Item	Part No	Rem Qty	Description	Code
1	4812113160	1	Bracket	
2	4812114146	1	Reciever	
3	4811000395	1	Bracket	D
4	4812114156	2	Holder	
5	4812113058	1	Antenna	
6	4812113158	1	Antenna lead	

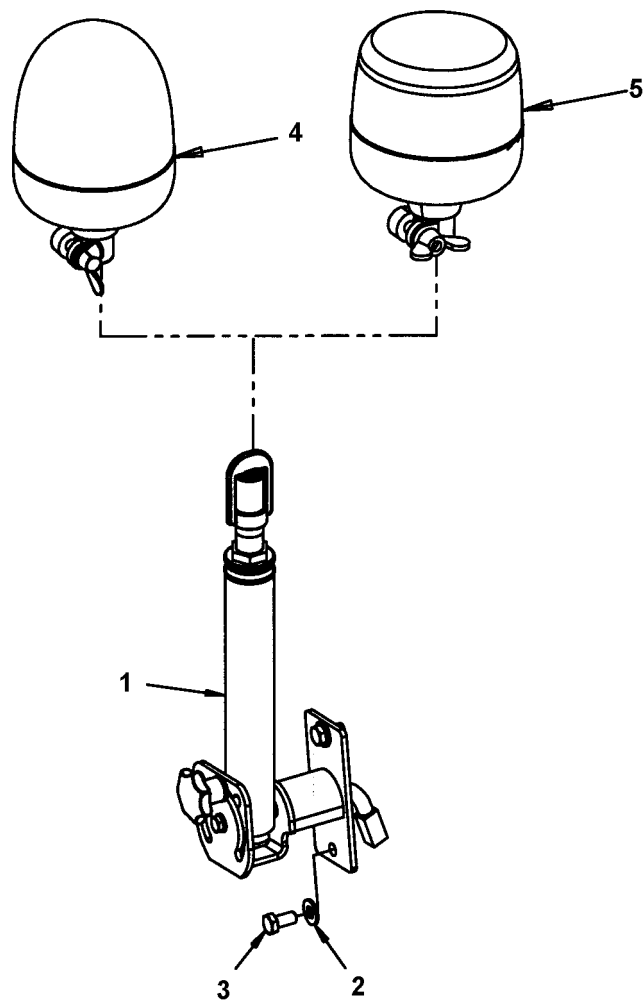
Rotating beacon, working light, option



Rotating beacon, working light, option

Item	Part No	Rem	Qty	Description	Code
1	4700792397		1	Switch	
2			1	Rotating beacon module (Page 380)	
2-1		A	2	Rotating beacon module (Page 380)	
3	4812115917		4	Working light LED	
			4	Working light module H3 (Page 384)	
4	4812112325		1	Cable harness	
5	4700570005		2	Nut M8	C
6	4700904229		6	Steel plain washer 8,4x16x1,5	C
7	4700792667		1	Cable tie with holder	
8	4700313041	N		Cable ties L=200 mm	B
9	4811000077		1	Connection cable	C
10	4812116799		1	Holder	
11	4700586003		2	Lock nut M8	C
12	4700500021		2	Screw M8-1,25x25 8.8	C

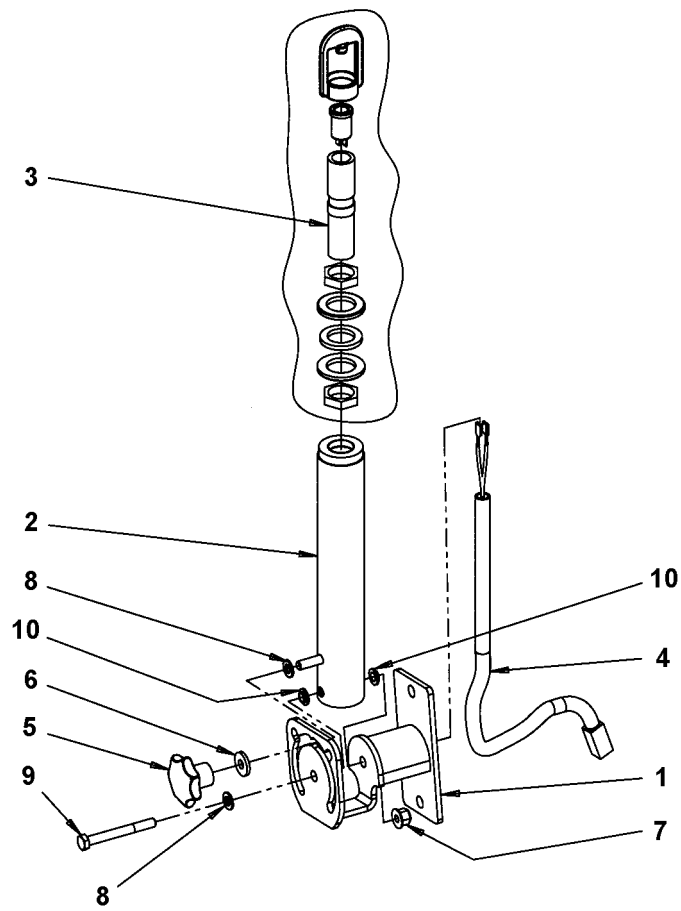
A) Dual LED



Rotating beacon module

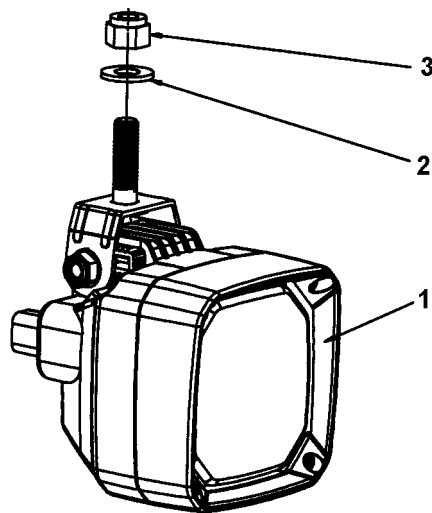
Item	Part No	Rem	Qty	Description	Code
1			1	Rotating beacon (Page 382)	
2	4700904230		2	Steel plain washer	C
3	4700500048		2	Screw M10-1,5x20 8,8	C
4	4812111326		1	Rotating beacon	
	4812156777		1	. Bulb H1 24V	
5	4812116848	A	1	Rotating beacon	

A) Dual LED



Rotating beacon

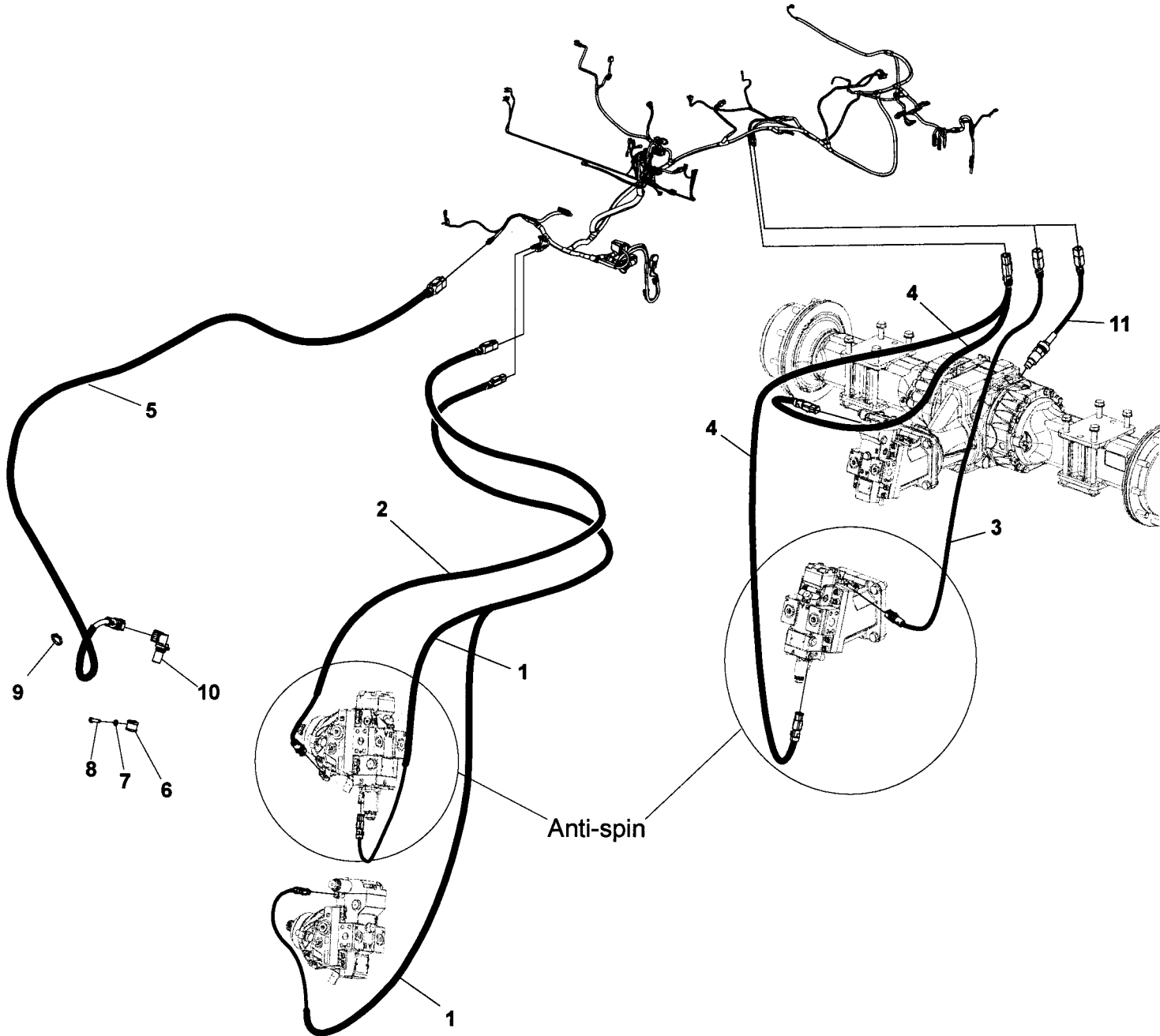
Item	Part No	Rem Qty	Description	Code
1	4812116622	1	Bracket	
2	4812112460	1	Bracket	
3	4700392321	1	Bracket	
4	4812115020	1	Cable harness	
5	4700792410	1	Star knob M8-50	
6	4700904640	1	Washer 8,4x22x3	C
7	4700902286	1	Hexagon lock nut with flange	C
8	4700904229	2	Steel plain washer 8,4x16x1,5	C
9	4700500189	1	Screw	C
10	4812112774	2	Bushing	



Working light module H3

Item	Part No	Rem Qty	Description	Code
1	4812114720	1	Working light	
2	4700904230	1	Steel plain washer	C
3	4700586018	1	Hexagon lock nut M10	C

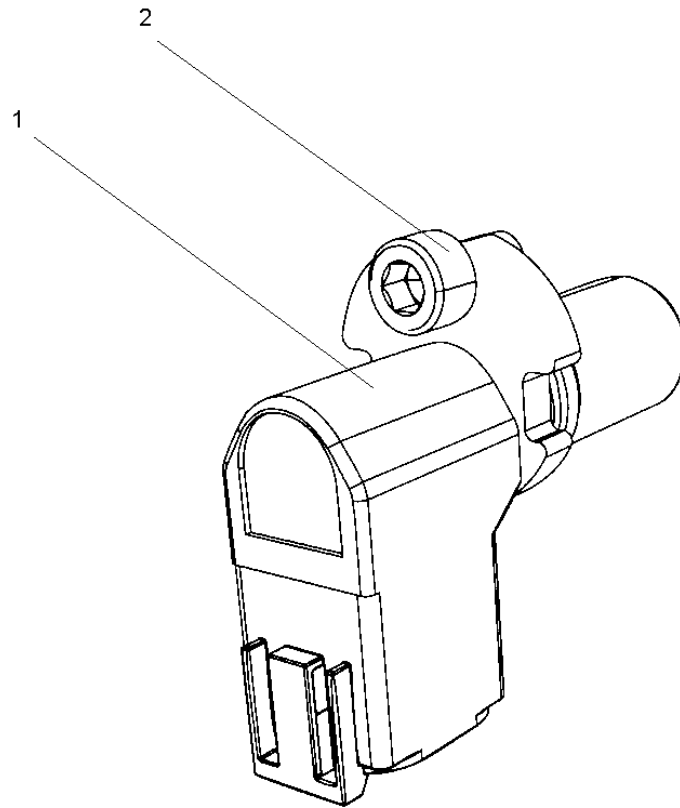
Speed sensor, frequency sensor, option



Speed sensor, frequency sensor, option

Item	Part No	Rem	Qty	Description	Code
1	4812112062	A	1	Cable harness	
2	4812112227	B,E	1	Cable harness	
3	4812112231	B,E	1	Cable harness	
4	4812112229	C	1	Cable harness	
5	4812111268	D	1	Cable harness	
6	4700921078		1	Clamp	
7	4700904228		1	Washer 6,4x12x1,5	C
8	4700500015		1	Screw M6X30 8.8	C
9	4700313041		2	Cable ties L=200 mm	B
10		D	1	Pulse sensor module (Page 388)	
11	4812112419	B,F	1	Pulse sensor cpl	
	4812115707	B,G	1	Pulse sensor cpl	

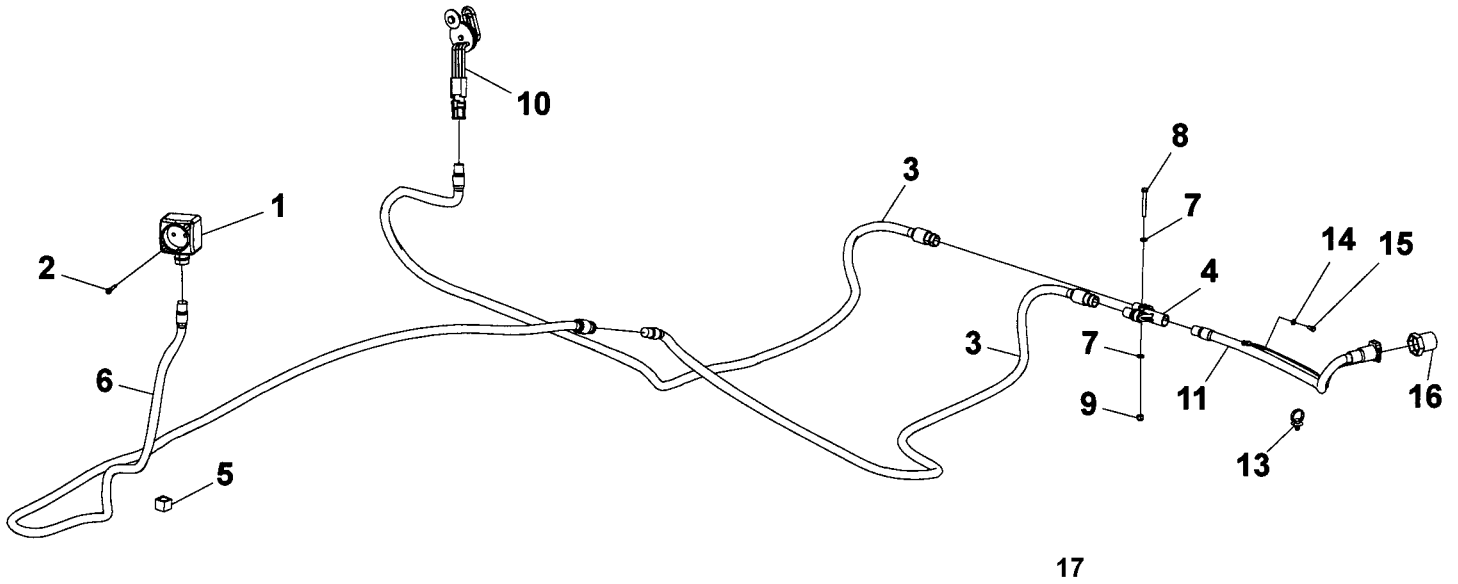
- A) Displacement shift front.
- B) Speed sensor.
- C) Displacement shift rear.
- D) Frequency sensor.
- E) Anti-spin, option.
- F) Limited slip.
- G) No spin.



Pulse sensor module

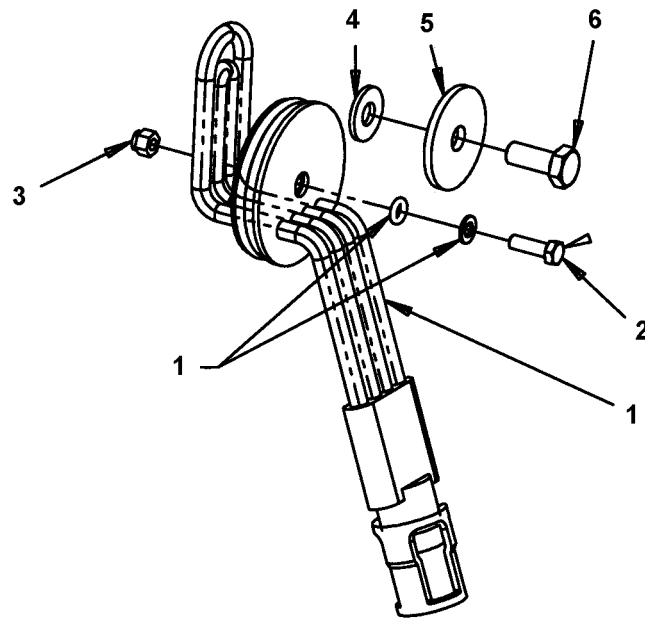
Item	Part No	Rem Qty	Description	Code
1	4700396601	1	Pulse sensor	
2	4700508001	1	Screw M06x012H	

Pre-heater installation, option



Pre-heater installation, option

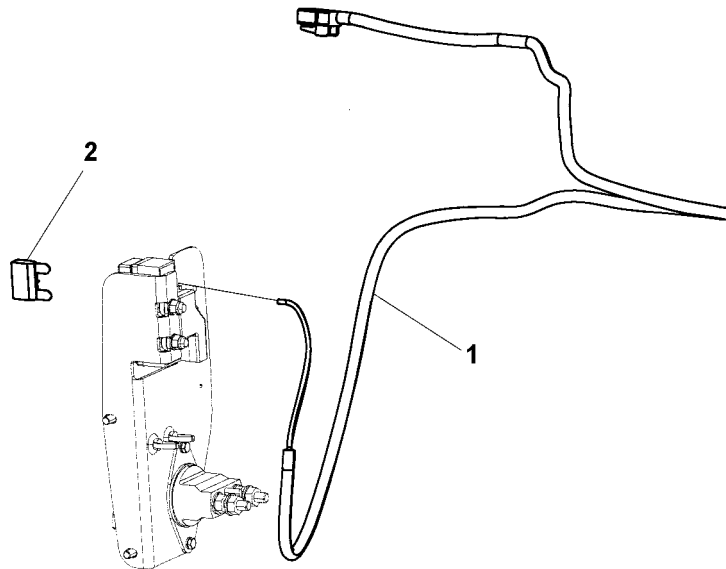
Item	Part No	Rem Qty	Description	Code
1	4700396044	1	Connector	
2	4700792186	2	Thread forming screw	
3	4700396047	2	Cable	
4	4700396043	1	Branching	
5	4812112071	1	Cable entry insert	
6	4700396047	1	Cable	
7	4700904228	2	Washer 6,4x12x1,5	C
8	4700500079	1	Screw M6-1x50 8,8	C
9	4700586002	1	Lock nut M6 -8	C
10		1	Heater (Page 392)	
11	4811000316	1	Cable	
13	4700792441	4	Cable tie with holder	C
14	4700904281	1	Washer 5,3x10x1 300HV	C
15	4700500003	1	Screw M5x10H	D
16	4812114984	1	Nut	
17	4700396048	1	Cable	



Heater

Item	Part No	Rem Qty	Description	Code
1	4700396041	1	Heater	
2	4700500006	1	Screw M5x16	
3	4700586001	1	Lock nut	C
4	4700791304	1	Washer	C
5	4700901688	1	Washer	
6	4700500053	1	Screw M8x20H 8.8	C

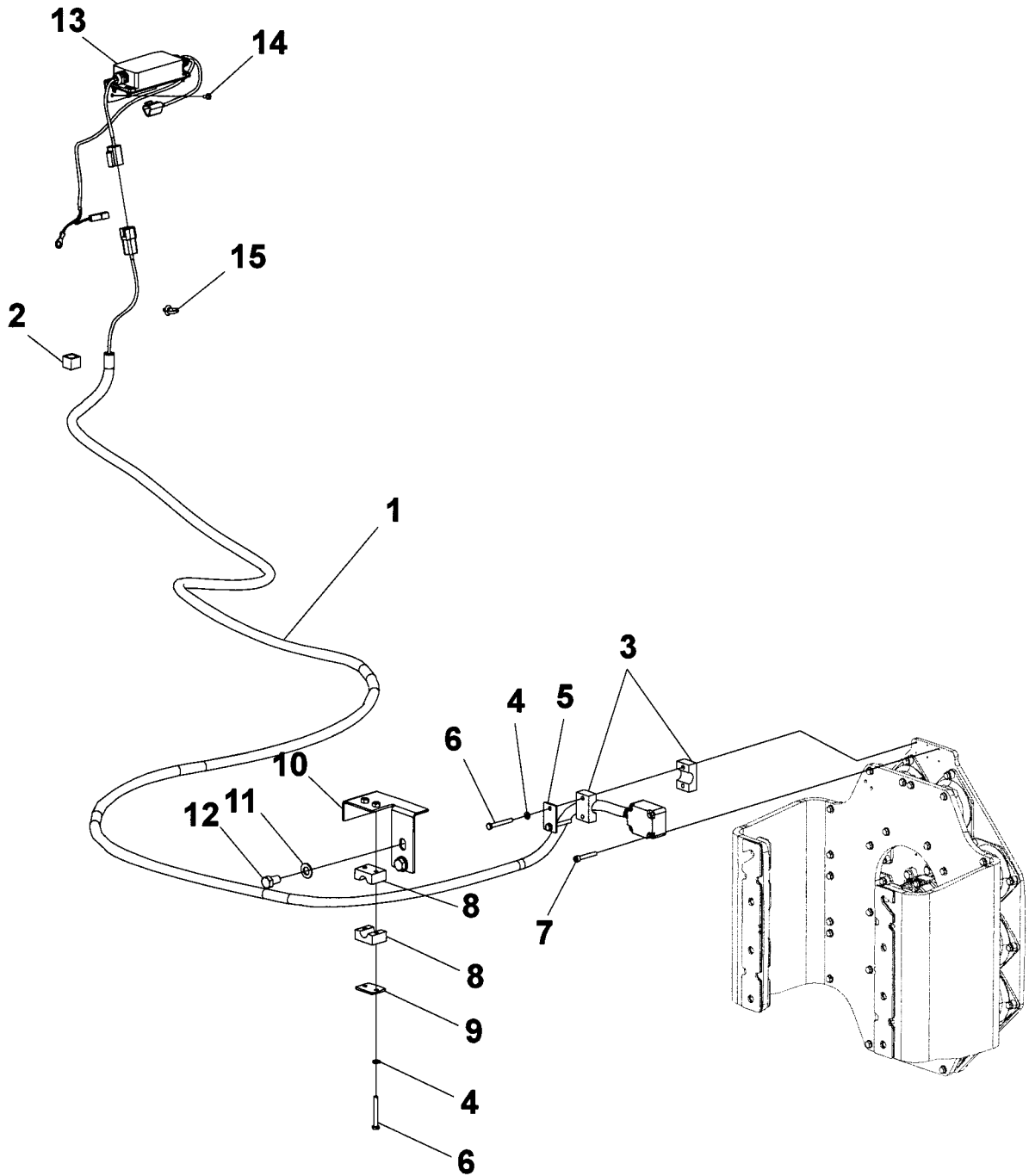
Cable harness kit Power supply cab



Cable harness kit Power supply cab

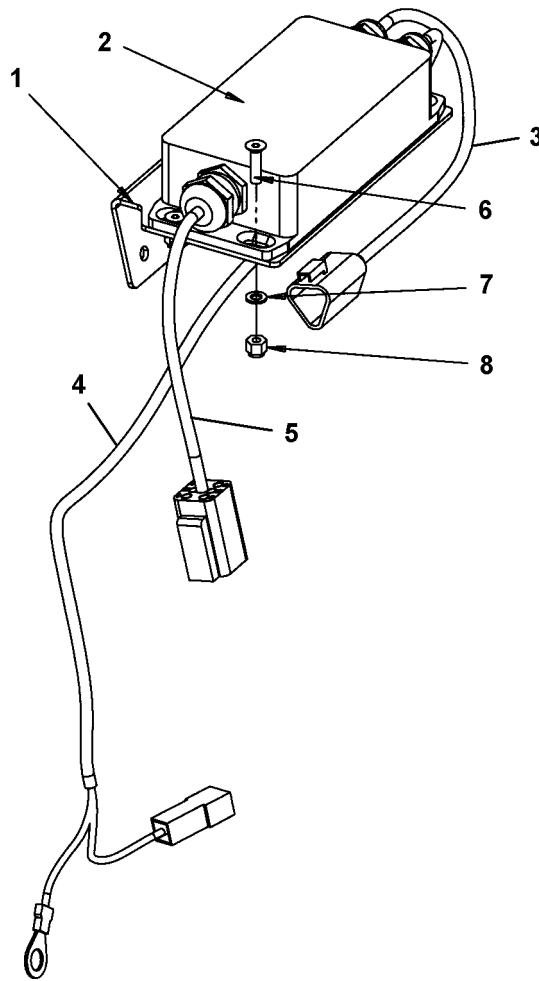
Item	Part No	Rem Qty	Description	Code
1	4812111241	1	Cable harness	
2	4700904037	1	Fuse 30A	A

Compaction meter, option



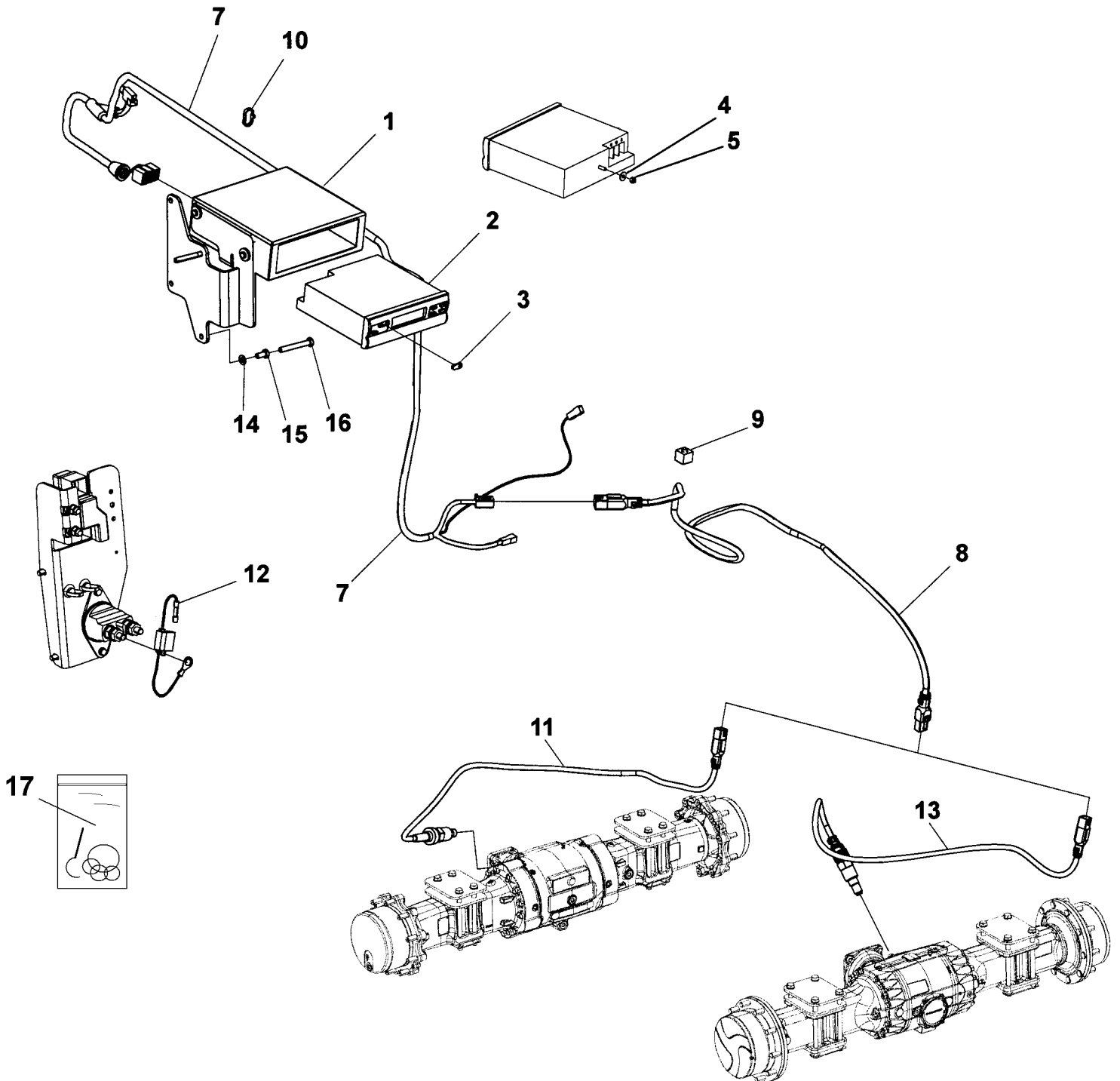
Compaction meter, option

Item	Part No	Rem Qty	Description	Code
1	4812115921	1	Dcm unit	
2	4812112072	1	Cable entry insert	
3	4700923876	1	Clamp	D
4	4700904228	8	Washer 6,4x12x1,5	C
5	4700923859	1	Cover plate	C
6	4700500079	4	Screw M6-1x50 8,8	C
7	4700508026	4	Screw	D
8	4700791453	2	Pipe clamp block	
9	4700791454	1	Cover plate	
10	4812116181	1	Bracket	
11	4700904231	2	Washer 13x24x2 300 HV	C
12	4700500035	2	Screw M12x020H	
13		1	Power supply (Page 398)	
14	4700792210	2	Screw torx	
15	4700792441	2	Cable tie with holder	C



Power supply

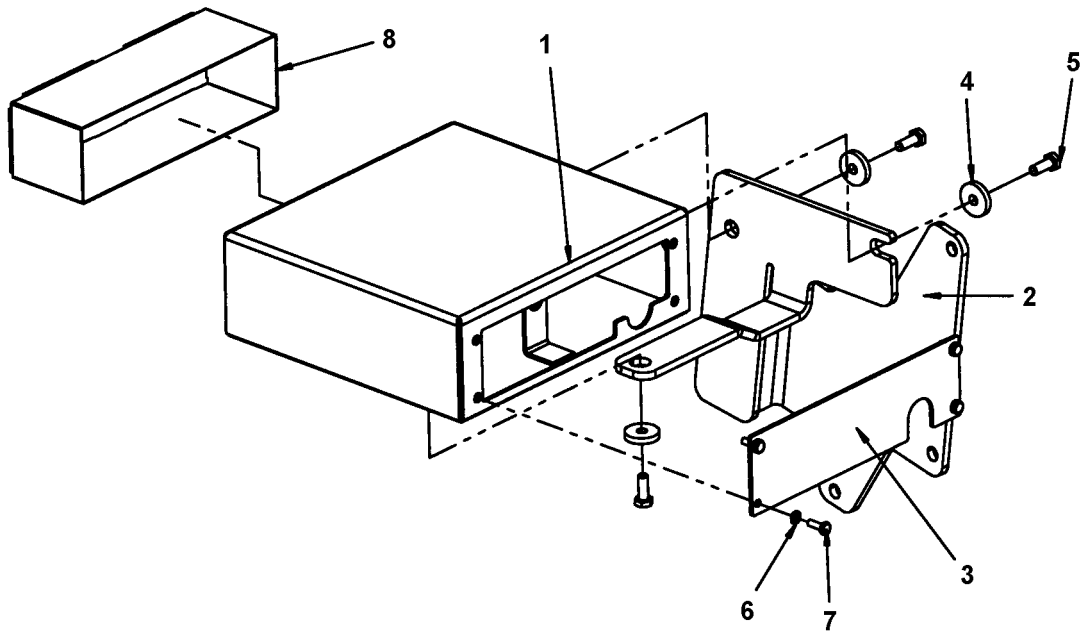
Item	Part No	Rem Qty	Description	Code
1	4812112792	1	Holder	
2	4812113123	1	Power supply unit	
3	4812112640	1	. Wiring harness	
4	4812112641	1	. Wiring harness	
5	4812112642	1	. Wiring harness	
6	4700513027	4	Screw M4x16H 10,9	D
7	4700904698	4	Washer 4,3x8x0,8	C
8	4700923976	4	Nut	C



Tachograph, option

Item	Part No	Rem	Qty	Description	Code
1			1	Holder assy (Page 402)	
2	4811000292		1	Tachograph	
3	4811000529		1	Cover cap	
4	4700601001		1	Washer	C
5	4700586001		1	Lock nut	C
7	4812112417		1	Cable harness	
8	4812112917		1	Cable harness	
9	4812112068		1	Cable entry insert	
10	4700313041		3	Cable ties L=200 mm	B
11	4812112419	A	1	Pulse sensor cpl	
12			1	Power supply module (Page 404)	
13	4812115707	B	1	Pulse sensor cpl	
14	4700904229		2	Steel plain washer 8,4x16x1,5	C
15	4700500019		2	Hexagon head screw M8x16H 8,8	C
16	4700500026	C	2	Screw M8-1,25x60 8,8	
17	4812118625		1	Seal kit	

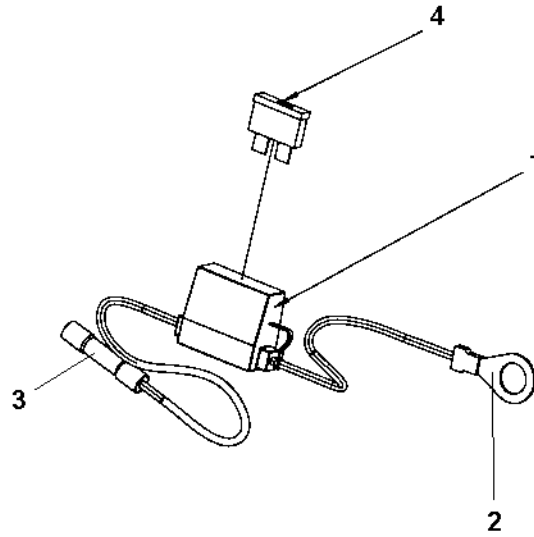
- A) Limited slip.
- B) No spin.
- C) Used with comfort cab.



Holder assy

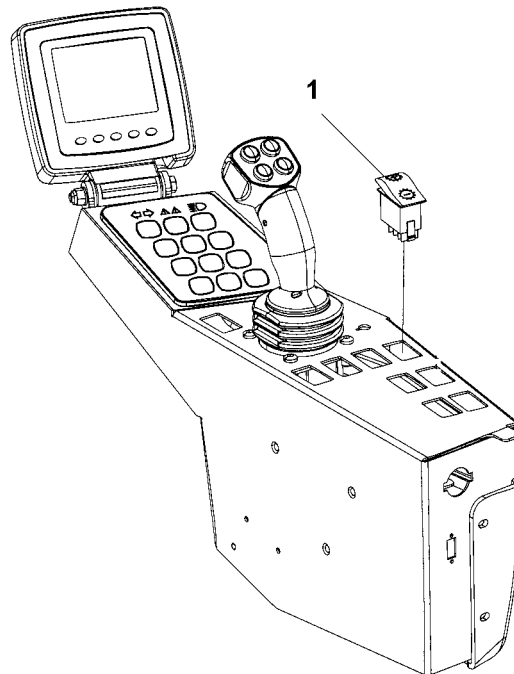
Item	Part No	Rem	Qty	Description	Code
1	4812112836	A	1	Holder	
	4812118641		1	Holder	
2	4812112837		1	Holder	
3	4812112838		1	Cover	
4	4700904735		3	Washer	C
5	4700500013		3	Screw M6-1x16 8,8	C
6	4700904698		4	Washer 4,3x8x0,8	C
7	4700500002		4	Screw M4-0,7x12H 8.8	D
8	4812118624		1	Mounting frame	

A) Can be replaced by p/n 4812118641, 4812118624 and 4812118625.



Power supply module

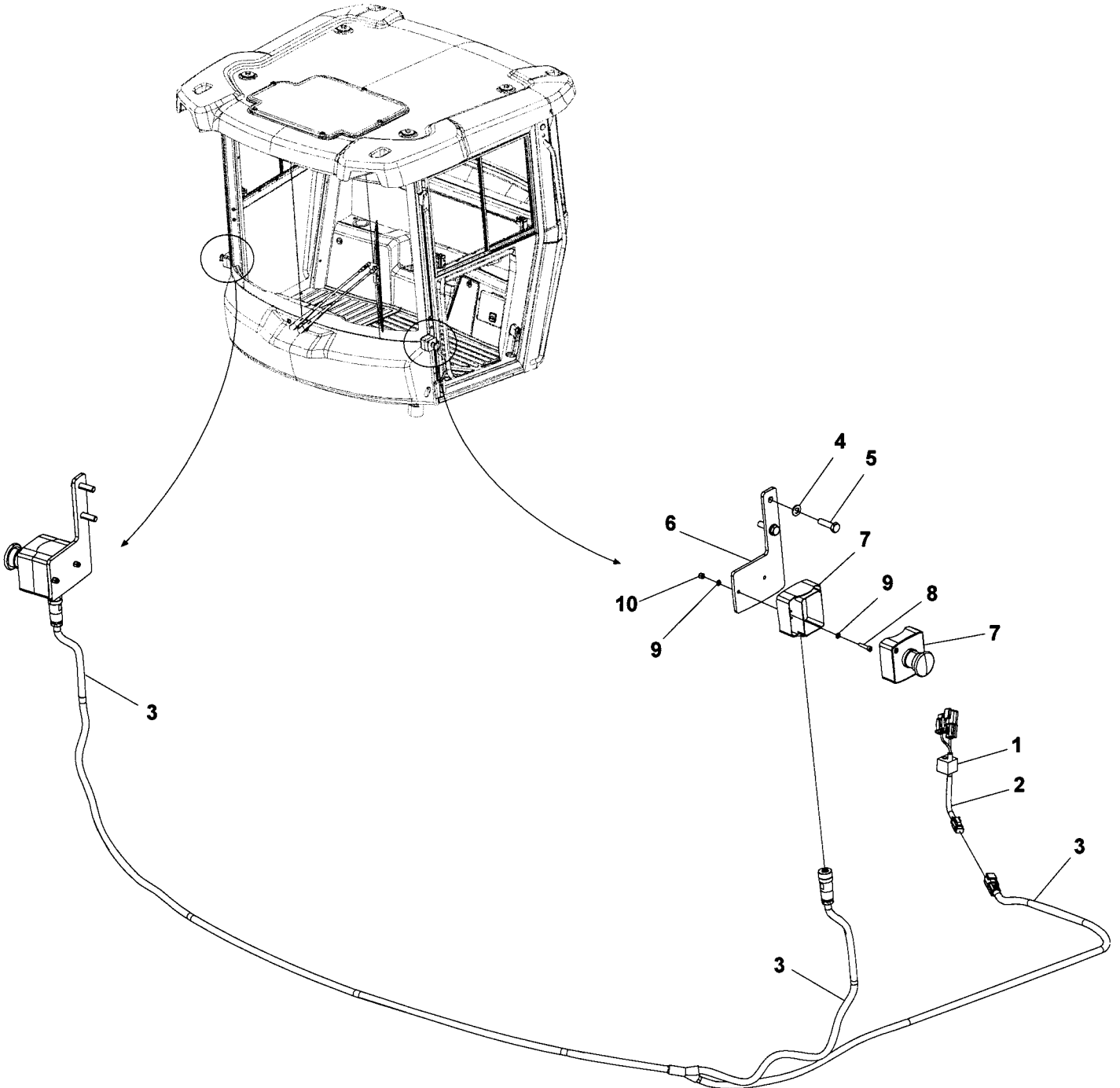
Item	Part No	Rem Qty	Description	Code
1	4700904015	1	Fuse holder	D
2	4700960067	1	Cable clip	
3	4700904024	1	Splicing sleeve	
4	4700901227	1	Fuse 10A	A



Displacement shift

Item	Part No	Rem Qty	Description	Code
1	4812115810	1	Switch, displacement shift	

External emergency stop, option



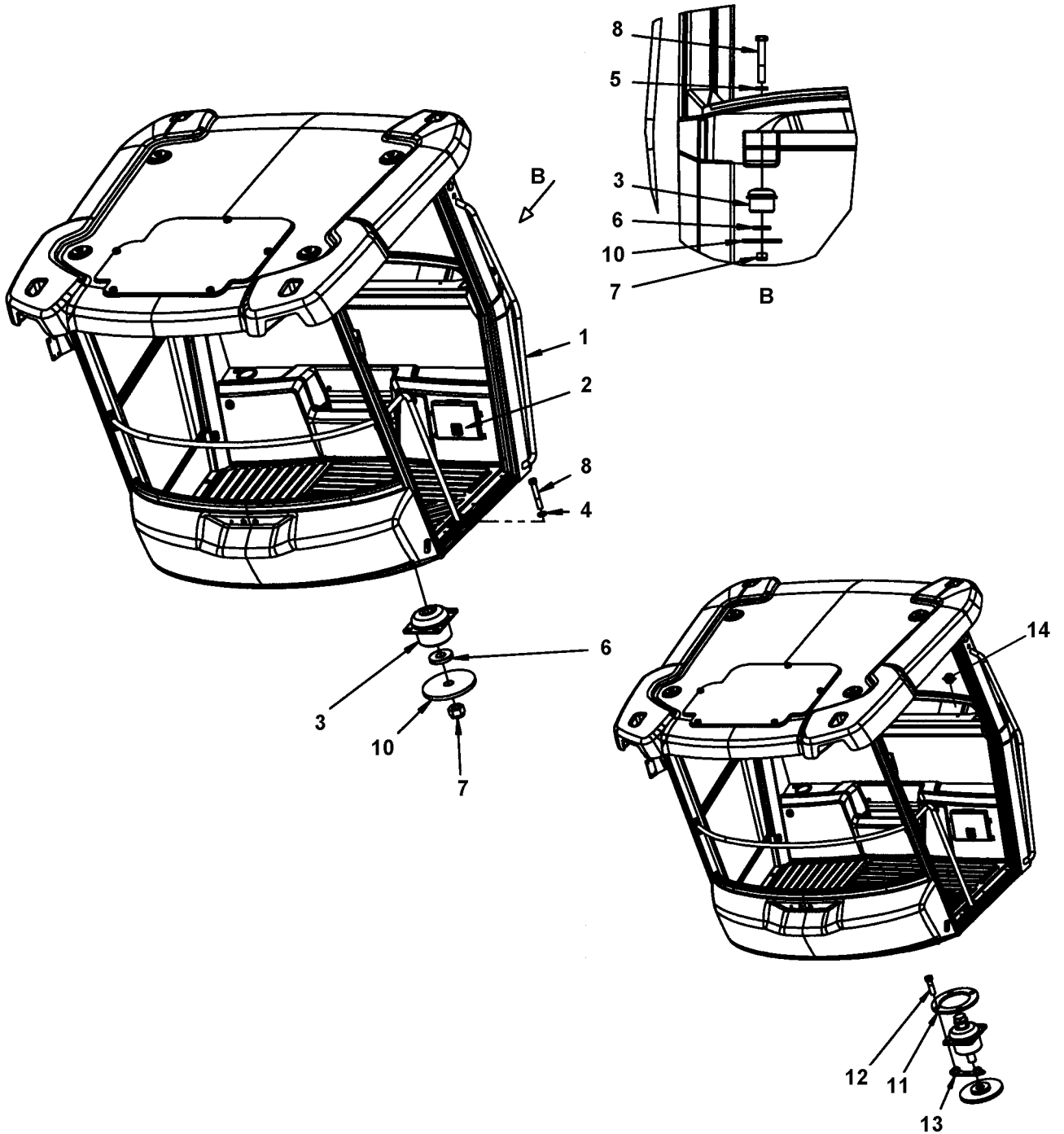
External emergency stop, option

Item	Part No	Rem Qty	Description	Code
1	4812116367	1	Cable entry frame and inserts	
2	4812116346	1	Wiring harness	
3	4812116354	1	Wiring harness	
4	4700904229	4	Steel plain washer 8,4x16x1,5	C
5	4700500022	4	Screw M8x30H 8.8	C
6	4812116588	2	Holder	
7	4812116587	2	Emergency stop box	
8	4700903386	4	Hexagon socket head cap screw	
9	4700904698	8	Washer 4,3x8x0,8	C
10	4700923976	4	Nut	C

Drivers platform

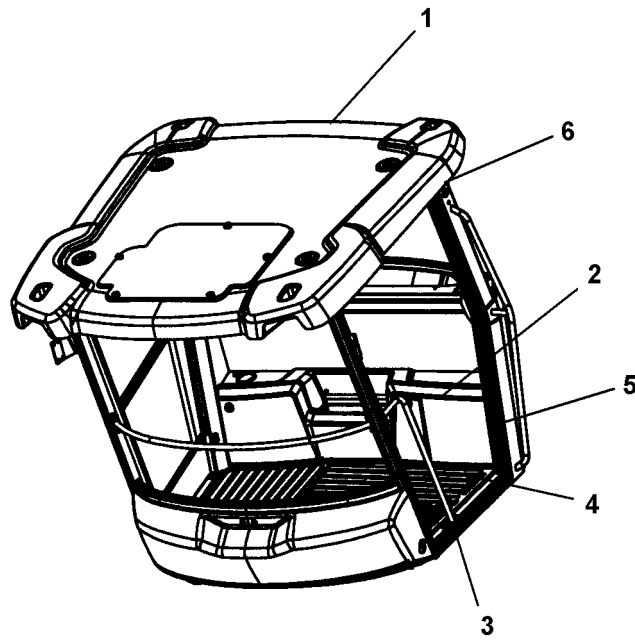
Item	Part No	Rem Qty	Description	Code
1		1	Platform, rops (Page 412)	
2		1	Cab symmetric module (Page 426)	
5		1	Drivers seat (Page 474)	
6		1	Car stereo module, option (Page 504)	
8		2	Rear view mirror (Page 506)	
9	A	2	Rear view mirror module (Page 508)	
11		1	Heater hoses (Page 510)	

A) For platform without rops.



Platform, rops

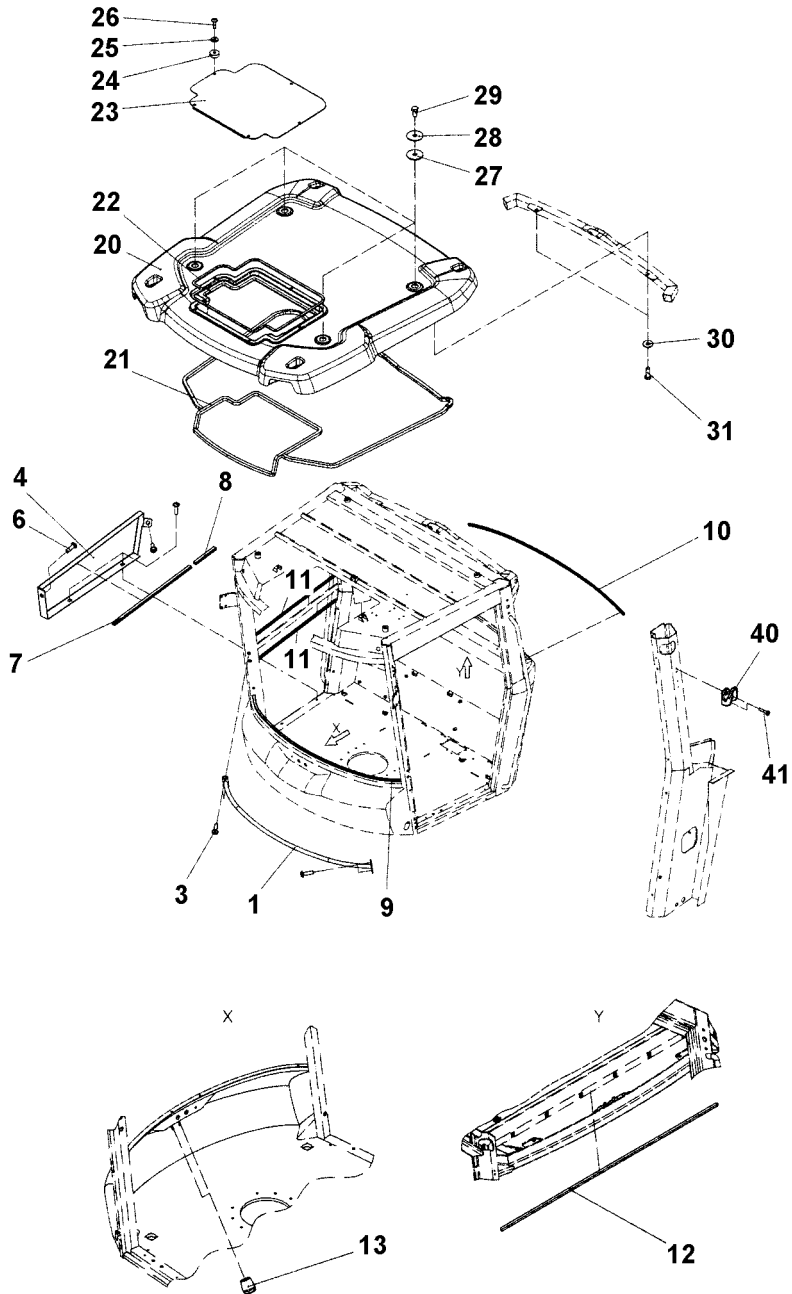
Item	Part No	Rem Qty	Description	Code
1	4812112278	1	Platform with 4-post ROPS (Page 414)	
2		1	Manual box (Page 424)	
3	4812116884	4	Shock absorber	
4	4700904233	2	Washer 21x36x3	C
5	4700903290	2	Washer 21x36x6	C
6	4700927410	4	Washer	D
7	4700901145	4	Lock nut M20-10	
8	4700902282	4	Screw	D
10	4812116867	4	Spacer	
11	4700359998	4	Back-up ring	C
12	4700500056	16	Screw	
13	4700393525	8	Holder	
14	4812115387	2	Protective plug	



4812112278 Platform with 4-post ROPS

Item	Part No	Rem Qty	Description	Code
1		1	Basic kit Rops, roof, front handrail (Page 416)	
2		1	Rear cover (Page 418)	
3		1	Handrail (Page 420)	
4	4812114568	1	Floor mat	
5	4812112268	1	Rops	
6		1	Cab, basic kit (Page 422)	

Basic kit Rops, roof, front handrail

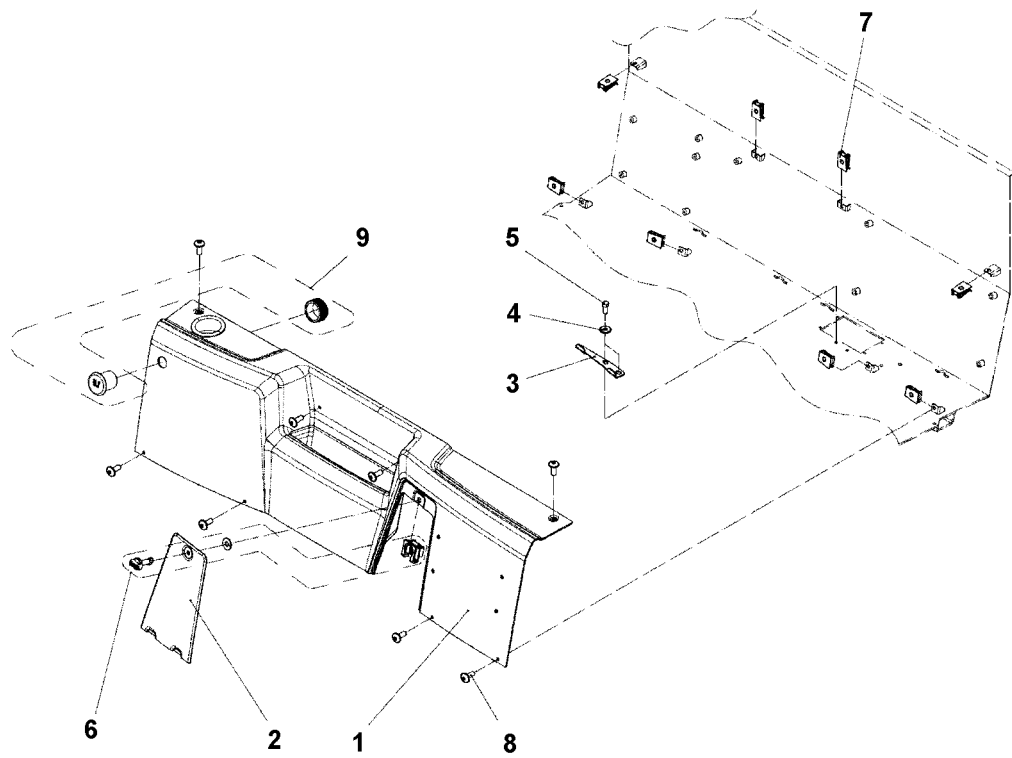


Basic kit Rops, roof, front handrail

Item	Part No	Rem	Qty	Description	Code
1	4812115193		1	Handrail	
3			4	Screw	
4	4812115194		1	Plate	
6			4	Screw	
7	4700202028	A	1XL	Edge trim	D
8	4700202028	B	1XL	Edge trim	D
9	4700202028	C	1XL	Edge trim	D
10	4700202028	D	1XL	Edge trim	D
11	4700202028	E	1XL	Edge trim	D
12	4700202028	F	1XL	Edge trim	D
13			2	Cap	
20	4812115195		1	Roof	
21	4812115164	G	1XL	Rubber strip	
22		H	1XL	Foam strip	
23	4812115196		1	Roof plate	
24	4812115166		5	Rubber washer	
25	4700601003		5	Washer 8,4x25x2	C
26			5	Screw	
27	4812115170		4	Seal washer	
28	4812115171		4	Washer	
29			4	Screw	
30	4700601003		2	Washer 8,4x25x2	C
31	4700947680		2	Screw M8-1,25x25 10.9	D
40	4700908505		1	Hook	D
41			4	Screw	

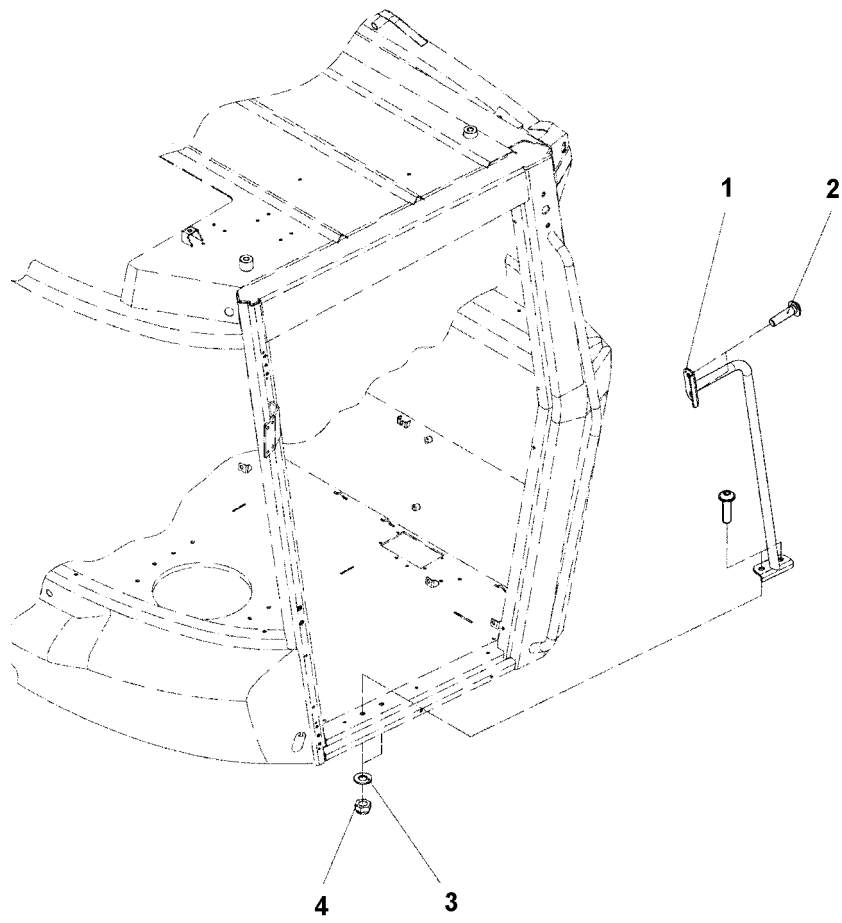
- A) L=0.508m
- B) L=0.133m
- C) L=1.415m
- D) L=1.43m
- E) L=0.856m
- F) L=1.515m
- G) L=6.7m
- H) L=2.513m

Rear cover



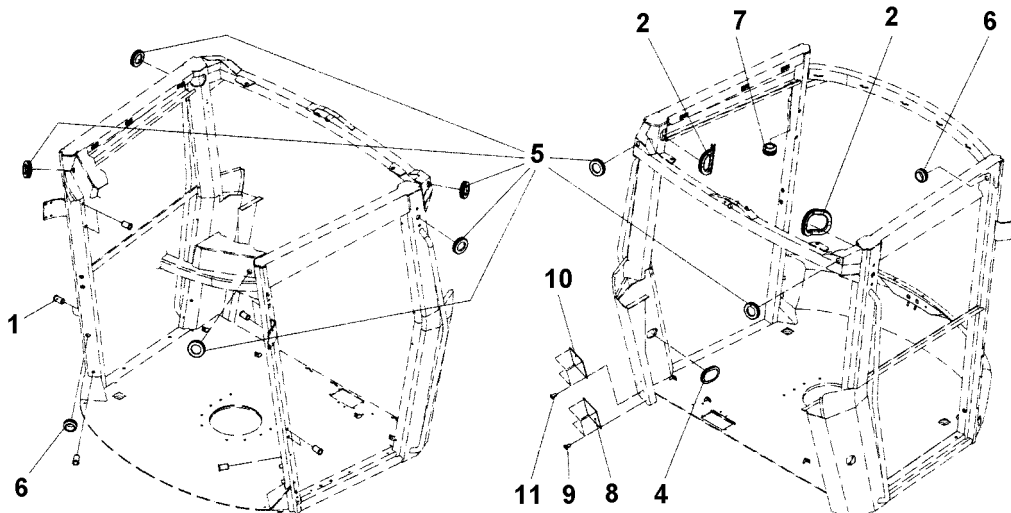
Rear cover

Item	Part No	Rem Qty	Description	Code
1	4812114563	1	Rear cover	
2	4812114564	1	Service cover	
3	4812114565	1	Bracket	
4	4700601001	2	Washer	C
5	4700500004	2	Screw M5 0,8x12 8,8	C
6	4812114566	1	Lock	
7	4812114567	8	Speed nut	
8		8	Screw	
9		1	Socket, 24V	



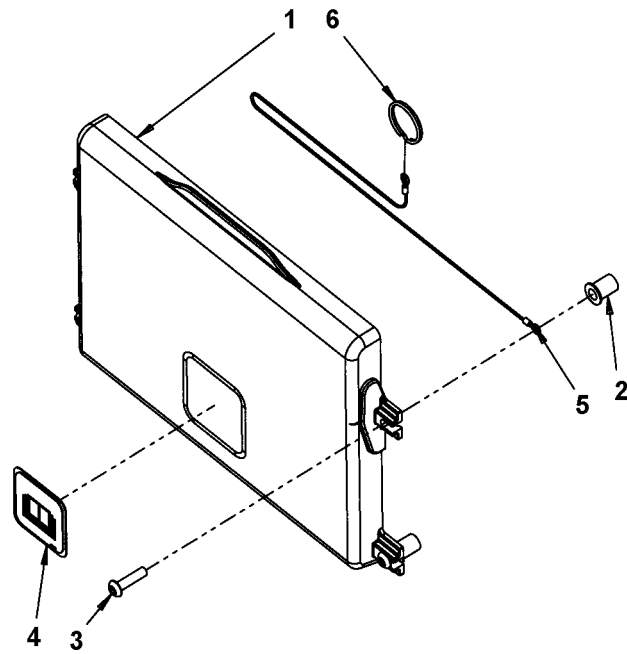
Handrail

Item	Part No	Rem Qty	Description	Code
1	4812114569	1	Handrail	
2		4	Screw	
3	4700904557	2	Steel plain washer	C
4	4700791172	2	Hexagon lock nut	D



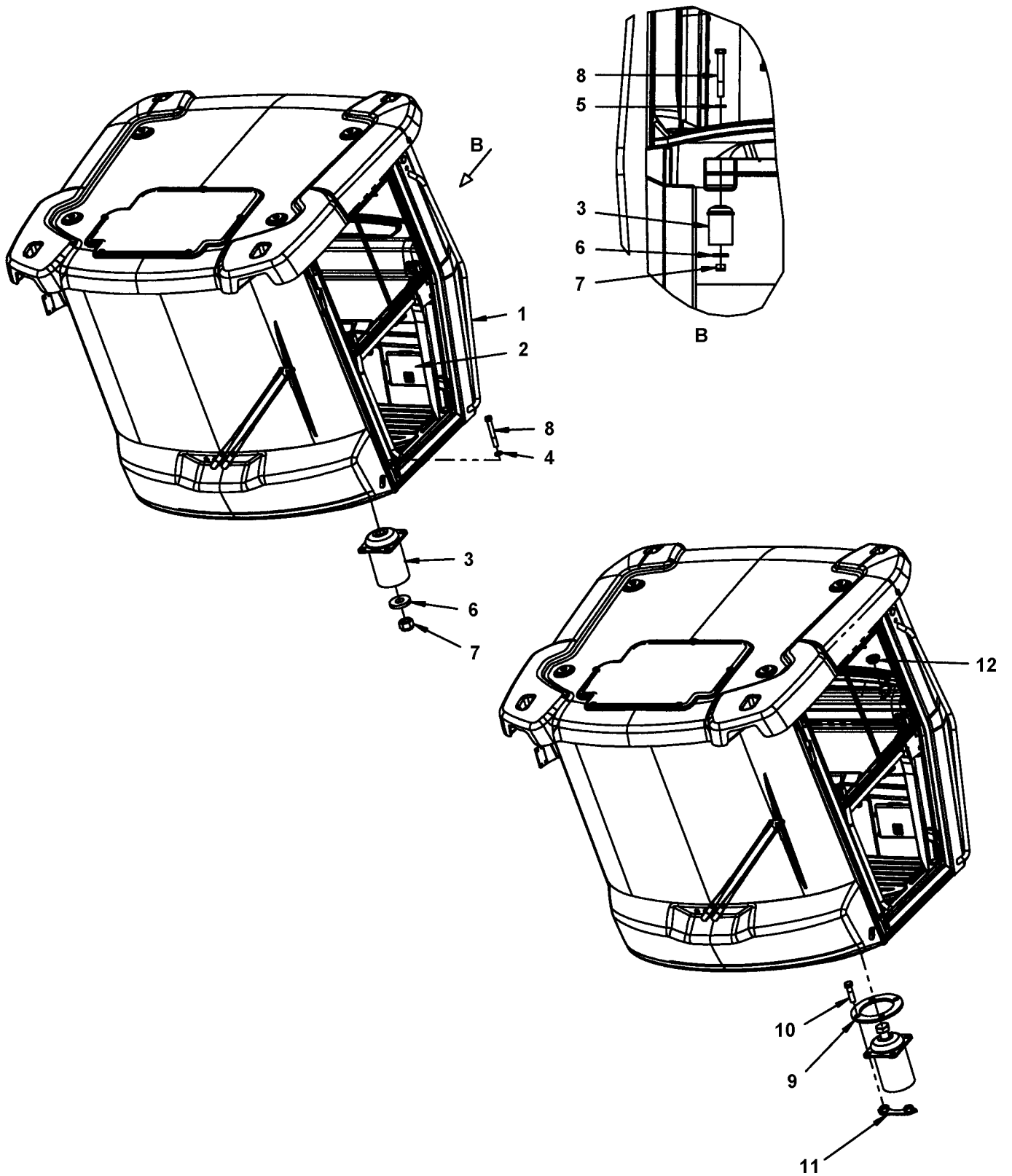
Cab, basic kit

Item	Part No	Rem	Qty	Description	Code
1	4700792103		10	Blind insert nut	D
2	4700902379	A	2XL	Edge trim	
4	4812115186		1	Cover	
5	4700929587		7	Grommet	
6	4700909129		2	Grommet	
7			1	Grommet	
8			1	Sign, rops	
9			4	Screw	
10			1	Sign, fops	
11			4	Screw	
A)	L=0.263m				



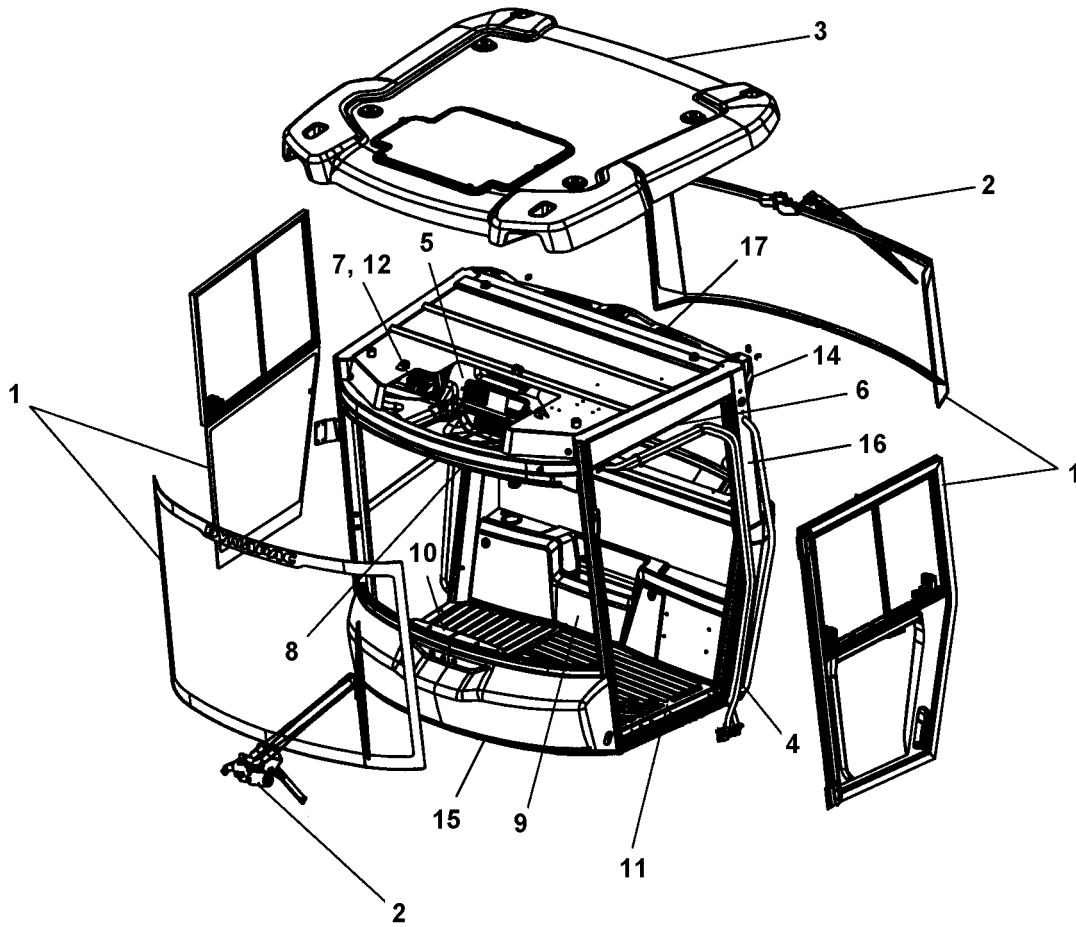
Manual box

Item	Part No	Rem Qty	Description	Code
1	4700383705	1	Instruction book holder	D
2	4700792536	4	Rubber nut	
3	4700792589	4	Screw	
4	4700903425	1	Decal "SAFETY MANUAL"	D
5	4700384584	1	Wire	
6	4700358254	1	Key-ring	



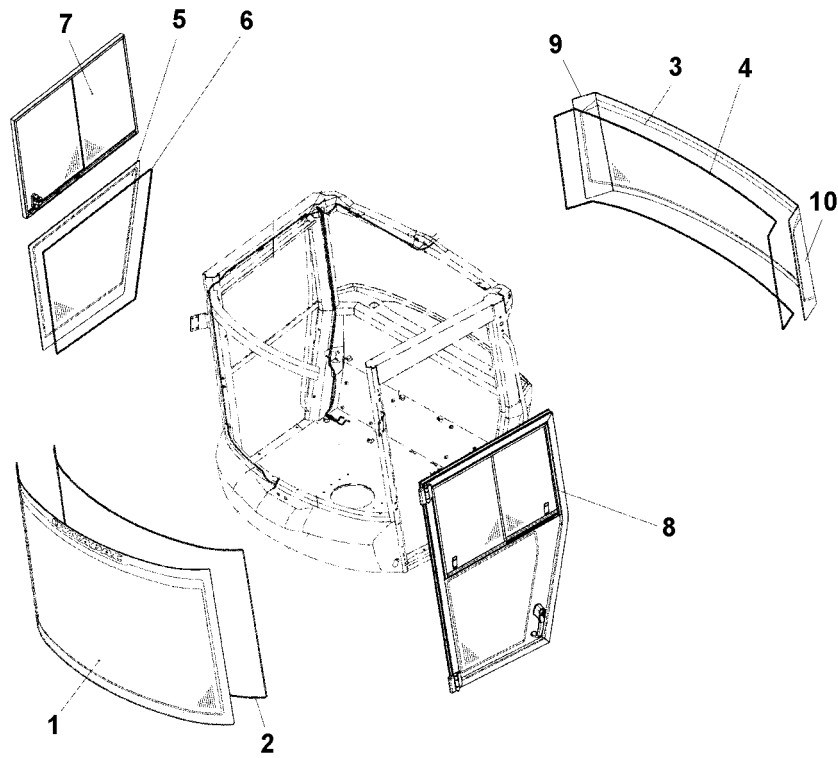
Cab symmetric module

Item	Part No	Rem Qty	Description	Code
1	4812112301	1	Cab, cpl Comfort (Page 428)	
	4812112302	1	Cab, cpl Basic (Page 466)	
2		1	Manual box (Page 424)	
3	4700374606	4	Shock absorber Green	D
4	4700904233	2	Washer 21x36x3	C
5	4700903290	2	Washer 21x36x6	C
6	4700927410	4	Washer	D
7	4700901145	4	Lock nut M20-10	
8	4700903633	4	Screw M20x150 10,9	
9	4700359998	4	Back-up ring	C
10	4700500056	16	Screw	
11	4700393525	8	Holder	
12	4812115387	2	Protective plug	



4812112301 Cab, cpl Comfort

Item	Part No	Rem Qty	Description	Code
1		1	Screens (Page 430)	
2		1	Windshield wiper (Page 436)	
3		1	Roof (Page 438)	
4		1	Hose kit heater (Page 442)	
5		1	Cab Interior (Page 444)	
6		1	Cab cabel harness (Page 448)	
7		1	Cab, electrical equipment (Page 450)	
8		1	Emergency hammer, hook (Page 452)	
9		1	Cab, rear cover (Page 454)	
10		1	Cab, front cover (Page 456)	
11		1	Floor mat (Page 458)	
12		1	Step light, wiper switch (Page 460)	
14		1	Cab, basic kit (Page 422)	
15	4812112268	1	Rops	
16		1	Air channel (Page 462)	
17		1	Sun-blind, inner light (Page 464)	

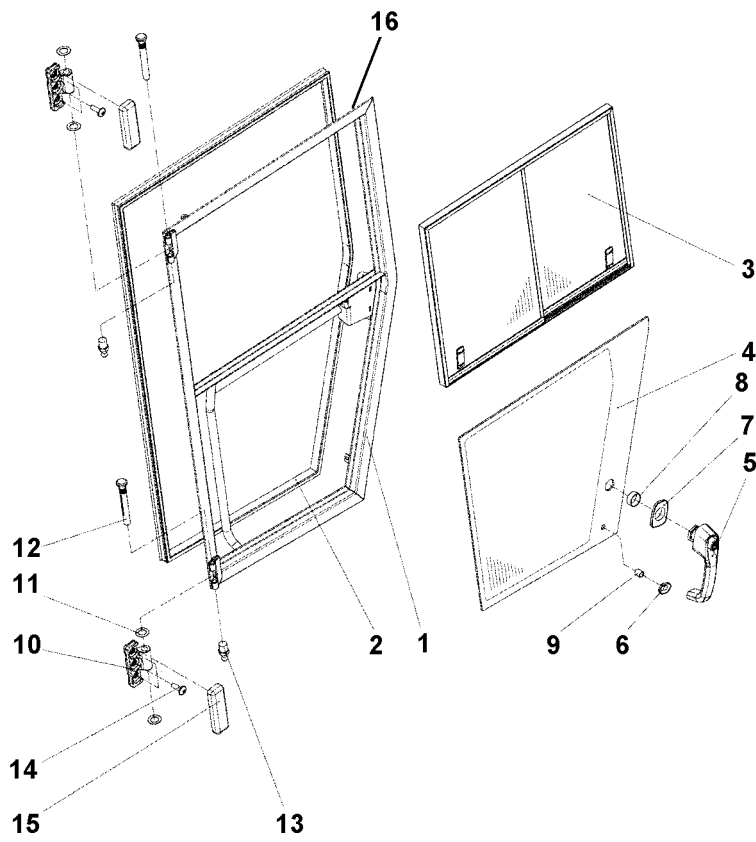


Screens

Item	Part No	Rem	Qty	Description	Code
1	4812114586		1	Front screen	
2		A	1XL	Rubber strip	
3	4812158164		1	Rear screen middle	
4		B	1XL	Rubber strip	
5	4812114587		1	Side screen	
6		C	1XL	Rubber strip	
7	4812114588		1	Sliding screen	
8	4812115202	C	1	Cab door, cpl (Page 432)	
9	4812158165		1	Rear screen right	
10	4812158163		1	Rear screen left	

- A) L=5.002m
B) L=4.779m
C) L=2.99m

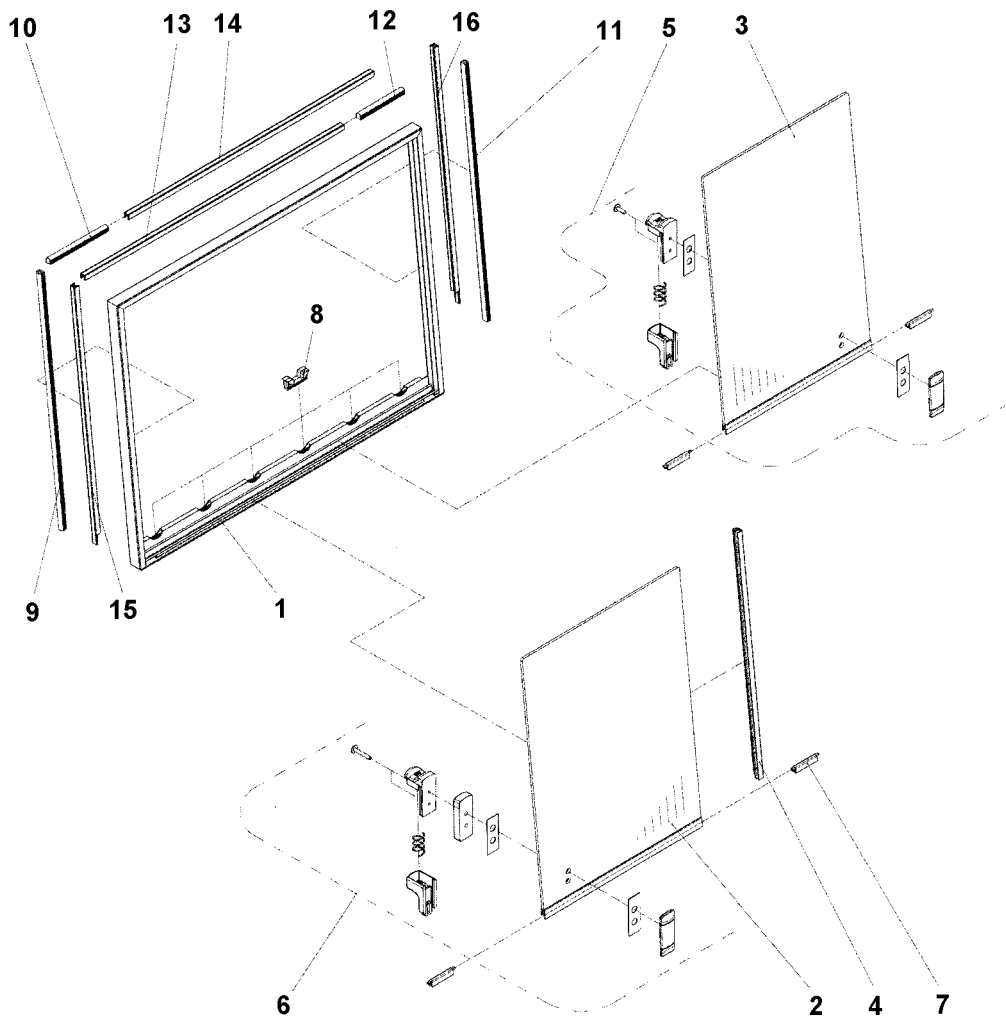
4812115202 Cab door, cpl



4812115202 Cab door, cpl

Item	Part No	Rem	Qty	Description	Code
1	4812116199		1	Door	
2		A	1XL	Sealing strip	
3	4812115200		1	Sliding screen, left hand (Page 434)	
4	4812114593		1	Screen	
5	4812115203		1	Handle	
6	4812115204		1	Washer	
7	4812115205		1	Washer	
8	4812115206		1	Washer	
9	4812115207		1	Bushing	
10	4812115216		2	Hinge	
11			4	Washer	
12	4812115217		2	Pin	
13			2	Lubricating nipple	
14			6	Screw	
15	4812115218		2	Hinge	
16	4812115214		1	Gas spring	
A)	L=4.41m				

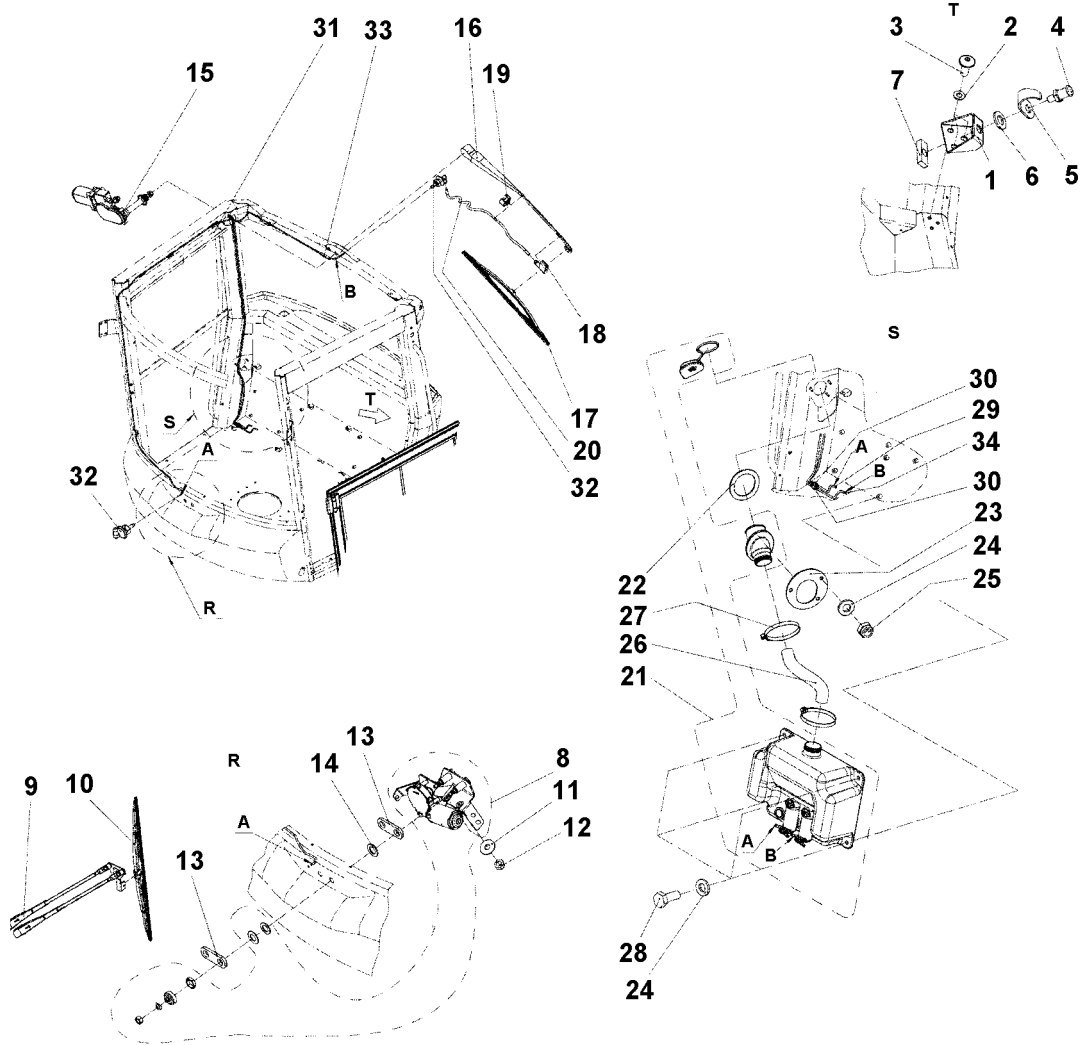
4812115200 Sliding screen, left hand



4812115200 Sliding screen, left hand

Item	Part No	Rem	Qty	Description	Code
1			1	Window frame	
2	4812115225		1	Screen	
3	4812115226		1	Screen	
4			1	Sealing bar	
5	4812115219		1	Handle	
6	4812115220		1	Handle	
7			4	Guide	
8	4812115223		6	Bracket	
9		A	1XL	Strip	
10		B	1XL	Strip	
11		C	1XL	Strip	
12		D	1XL	Strip	
13		E	1XL	Window seal	
14		F	1XL	Window seal	
15		G	1XL	Window seal	
16		H	1XL	Window seal	

- A) L=0.612m
- B) L=0.15m
- C) L=0.613m
- D) L=0.117m
- E) L=0.676m
- F) L=0.643m
- G) L=0.612m
- H) L=0.613m

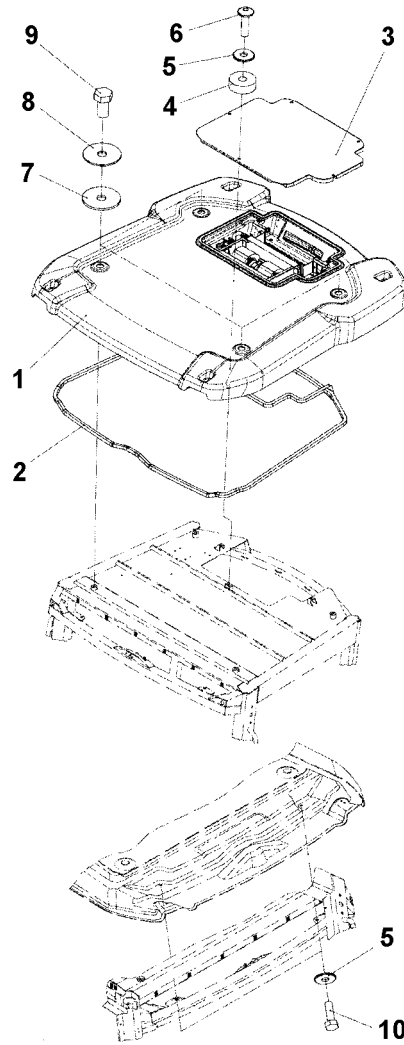


Windshield wiper

Item	Part No	Rem	Qty	Description	Code
1	4812114606		1	Bracket	
2			3	Washer	
3			3	Screw	
4	4812114598		1	Bolt	
5	4812114599		1	Clamp	
6	4812114602		1	Washer	
7	4812114603		1	Plate	
8	4812114600		1	Wiper motor, front	
9	4812114604		1	Wiper arm	
10	4812114605		1	Wiper blade, front	
11	4700601003		2	Washer 8,4x25x2	C
12	4700791182		2	Lock nut M8	
13			2	Spacer	
14			2	Washer	
15	4812114601		1	Wiper motor, rear	
16	4812114607		1	Wiper arm	
17	4812114608		1	Wiper blade, rear	
18	4812114610		1	Nozzle	
19	4812114609		1	Clamp	
20	4812114611	A	1XL	Hose	
21	4812114612		1	Water tank	
22		F	1XL	Rubber seal	
23	4812114613		1	Bracket	
24	4700904228		7	Washer 6,4x12x1,5	C
25	4700904563		3	Lock nut M6	C
26	4812115162		1	Filling pipe	
27	4700313023		2	Hose clamp	
28	4700500013		4	Screw M6-1x16 8,8	C
29	4812114611	B	1XL	Hose	
30	4700908564		2	Check valve	C
31	4812114611	C	1XL	Hose	
32	4700908561		2	Grommet	D
33	4812114611	D	1XL	Hose	
34	4812114611	E	1XL	Hose	

- A) L=0.415
- B) L=0.122
- C) L=4.4
- D) L=2.55
- E) L=0.161
- F) L=0.201m

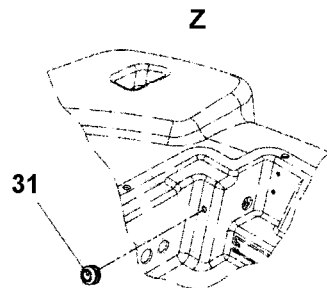
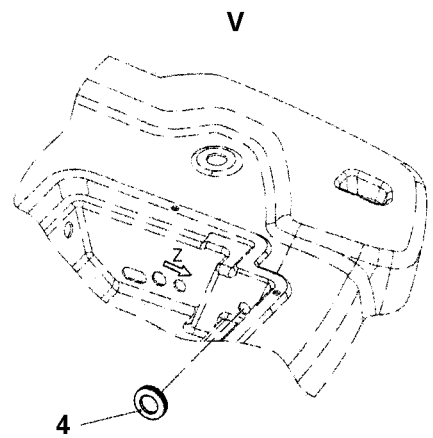
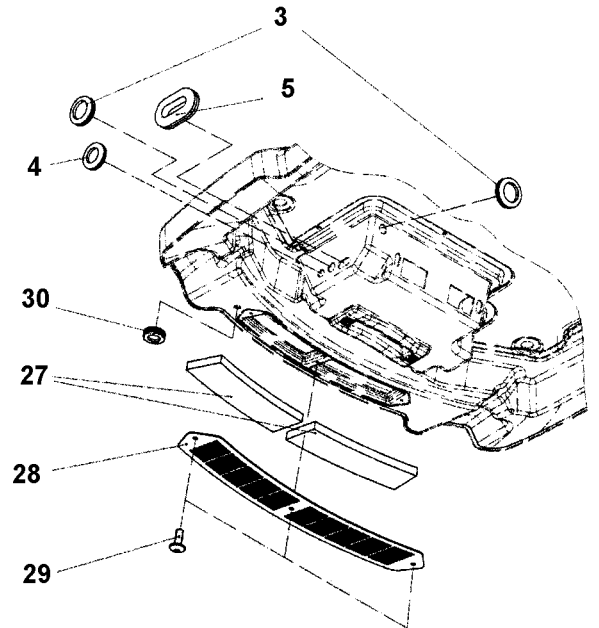
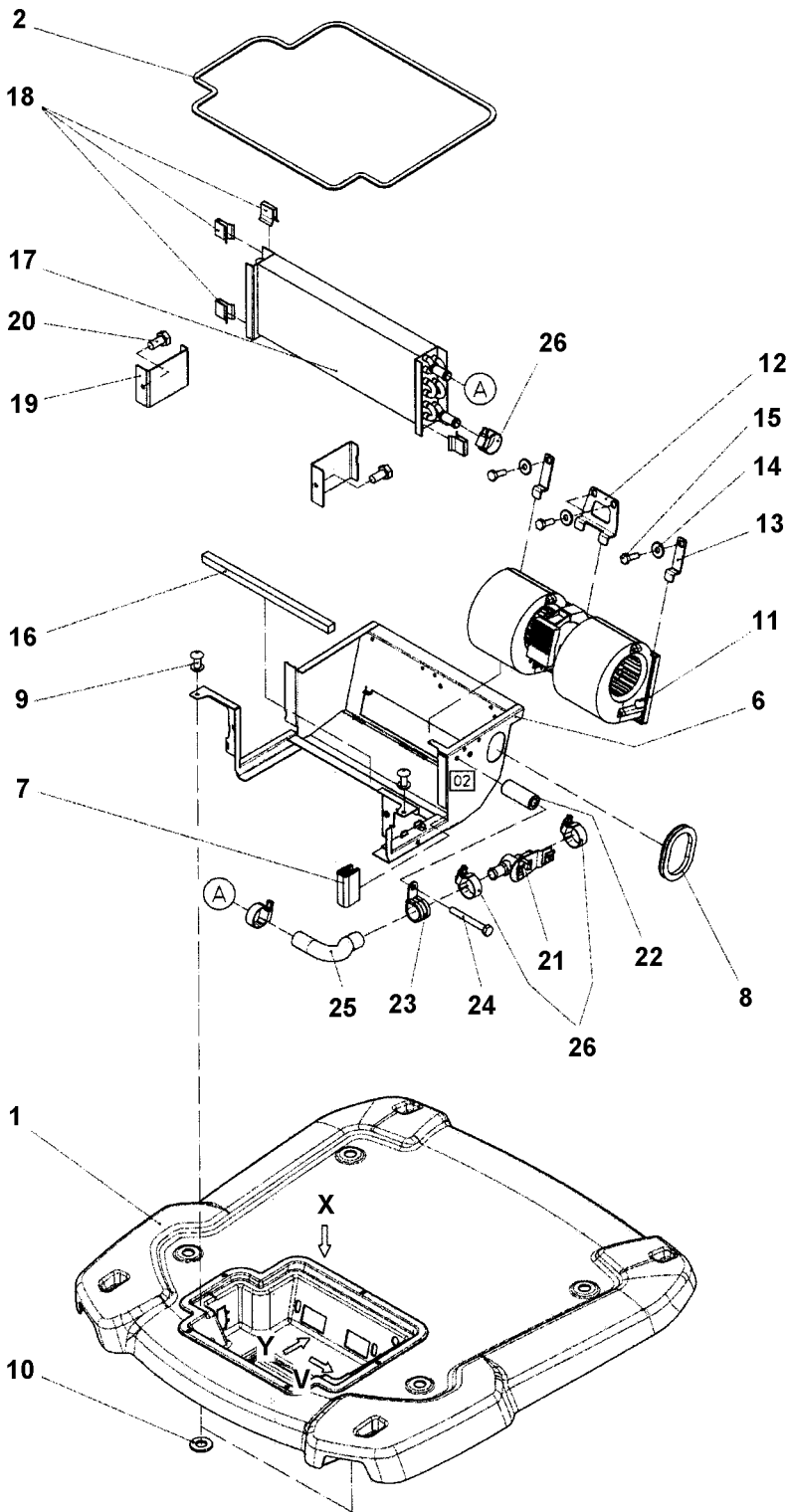
Roof



Roof

Item	Part No	Rem	Qty	Description	Code
1			1	Heater assy (Page 440)	
2	4812115164	A	1XL	Rubber strip	
3	4812115165		1	AC hood	
4	4812115166		5	Rubber washer	
5	4700601003		7	Washer 8,4x25x2	C
6			5	Screw	
7	4812115170		4	Seal washer	
8	4812115171		4	Washer	
9			4	Screw	
10	4700947680		2	Screw M8-1,25x25 10.9	D
A)	L=6.7m				

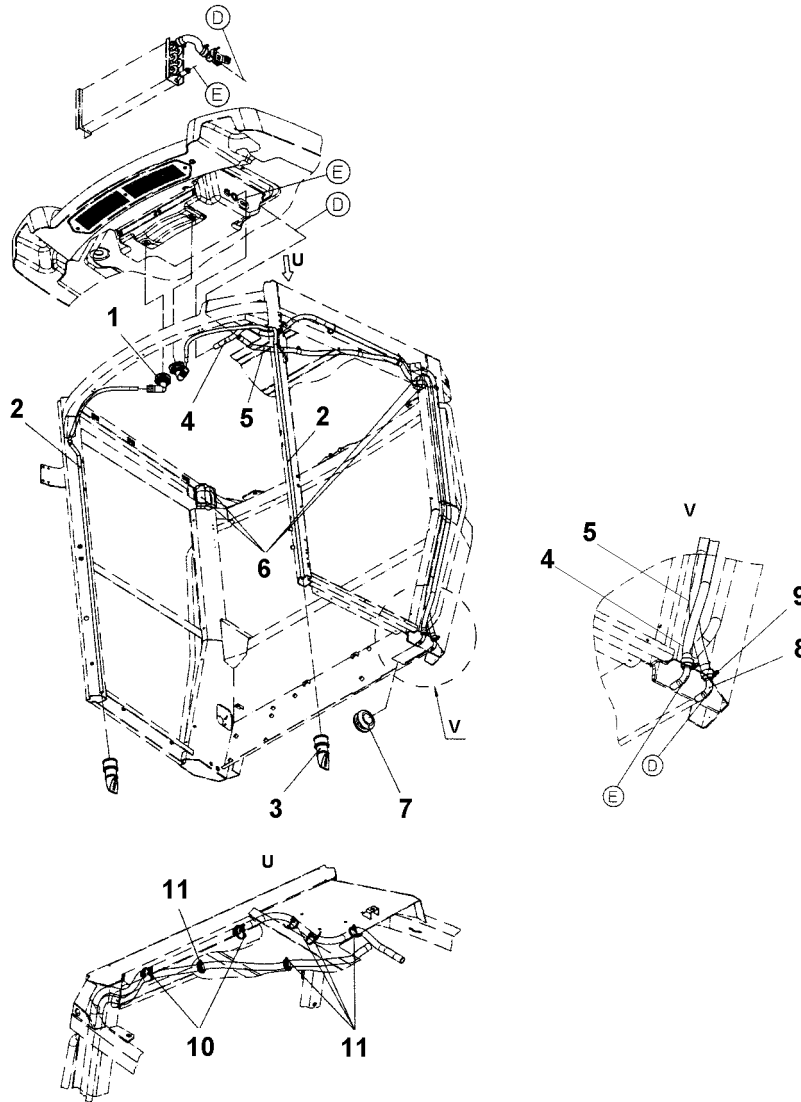
Heater assy



Heater assy

Item	Part No	Rem	Qty	Description	Code
1	4812116201		1	Roof	
2		A	1XL	Foam strip	
3			2	Grommet	
4	4700929587		2	Grommet	
5	4812115228		1	Grommet	
6	4812115229		1	Bracket	
7	4700202028	B	1XL	Edge trim	D
8	4812115186		1	Cover	
9	4700791666		2	Blind rivet	C
10	4700904229		2	Steel plain washer 8,4x16x1,5	C
11	4812158485		1	Fan 24V	
12	4812115230		1	Bracket	
13	4812116192		2	Bracket	
14	4700904229		4	Steel plain washer 8,4x16x1,5	C
15			4	Hexagon screw	
16	4812115164	C	1XL	Rubber strip	
17	4812116193		1	Heater coil	
18	4812116194		4	Clip	
19	4812116195		2	Bracket	
20	4700500012		2	Screw M6x12	C
21	4700939693		1	Heater control valve	
22	4700372174		1	Spacer	D
23	4700903670		1	Clamp	
24	4700500079		1	Screw M6-1x50 8,8	C
25	4700205112	D	1XL	Coolant hose	D
26	4700313004		4	Hose clamp	D
27	4812116197		2	Air filter	
28	4812116198		1	Cover	
29			3	Screw	
30	4700791475		1	Grommet	D
31			1	Grommet	

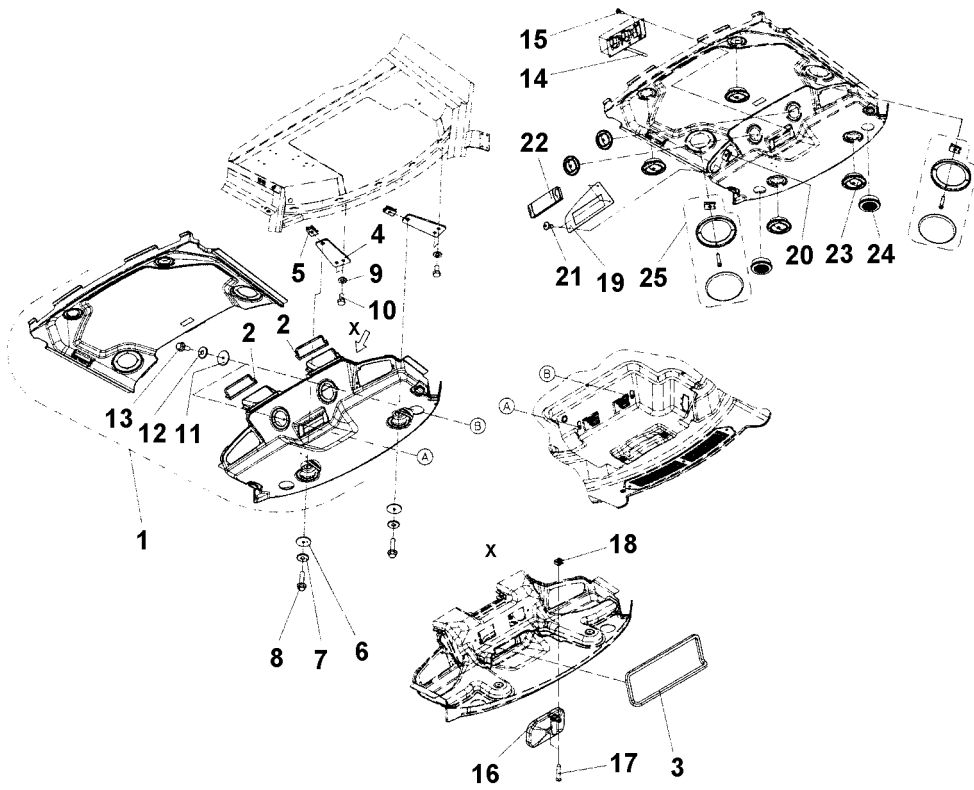
- A) L = 2.56m
- B) L = 0.028
- C) L = 0.407m
- D) L = 0.15m



Hose kit heater

Item	Part No	Rem	Qty	Description	Code
1	4812115167		2	Connector	
2	4812115168	A	2XL	Drain hose	
3	4812115169		2	Drain valve	
4	4700205112	B	1XL	Coolant hose	D
5	4700205112	C	1XL	Coolant hose	D
6			1	Foam	
7			1	Grommet	
8	4812115172		2	Connection pipe	
9	4700313004		2	Hose clamp	D
10	4700313041		2	Cable ties L=200 mm	B
11	4700792441		5	Cable tie with holder	C

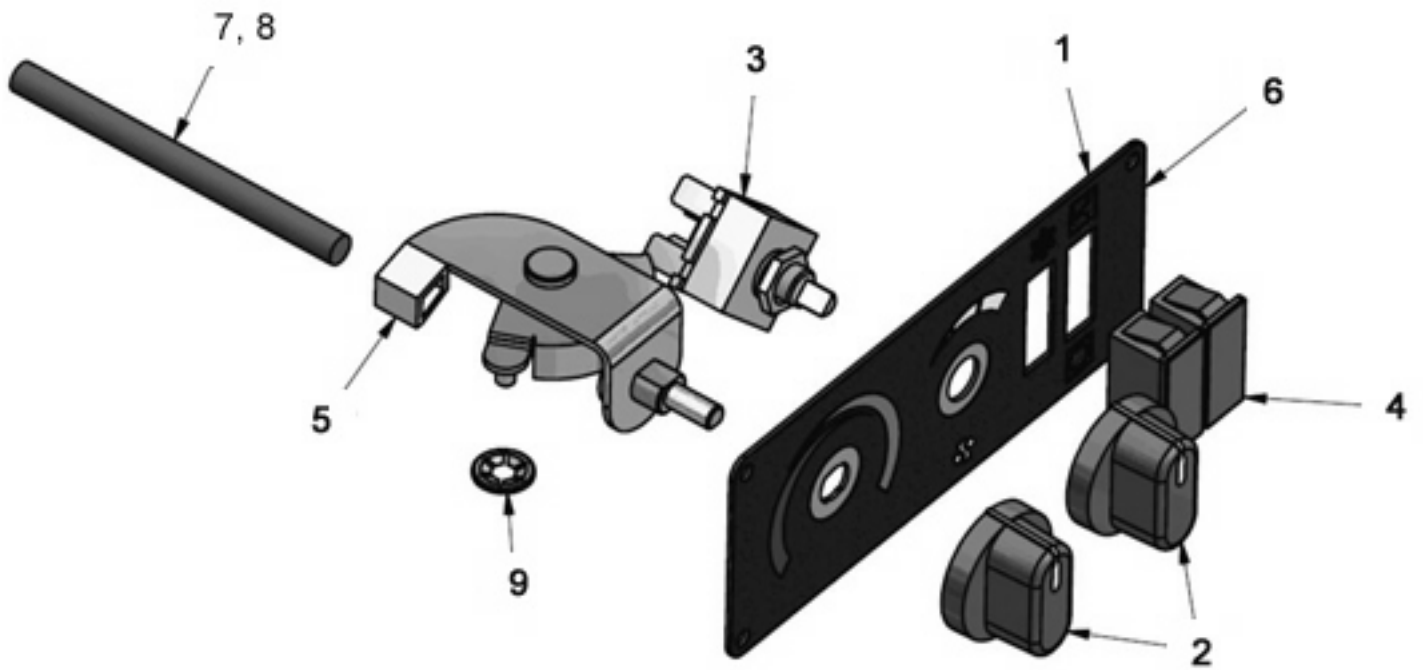
- A) L=1.96m
B) L=2.831m
C) L=2.5m



Cab Interior

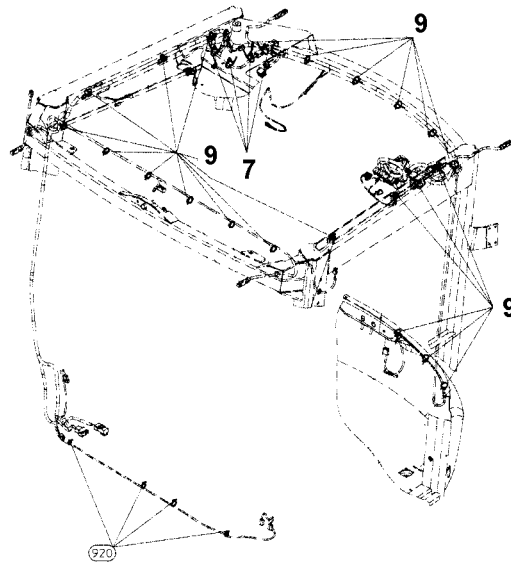
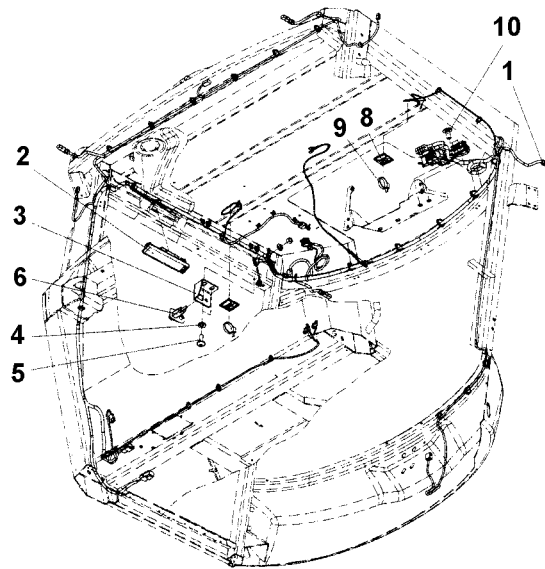
Item	Part No	Rem	Qty	Description	Code
1			1	Inner panel	
2		A	2XL	Rubber list	
3		B	1XL	Seal	
4	4812115175		2	Bracket	
5	4812114567		2	Speed nut	
6			2	Washer	
7	4700928381		2	Washer 6,4x18x1,6	C
8			2	Screw	
9	4700904228		4	Washer 6,4x12x1,5	C
10	4700500012		4	Screw M6x12	C
11			2	Washer	
12	4700928381		2	Washer 6,4x18x1,6	C
13			2	Screw	
14			1	Heater controls (Page 446)	
15			4	Screw	
16			1	Mirror	
17			2	Screw	
18			2	Speed nut	
19	4812115178		1	Radio console	
20	4811000458		3	Speed nut	
21			3	Screw	
22	4812115179		1	Radio cover	
23	4812115180		6	Air nozzle	
24			2	Air inlet cover	
25			2	Speaker cover	

A) L=0.525m
B) L=0.915m



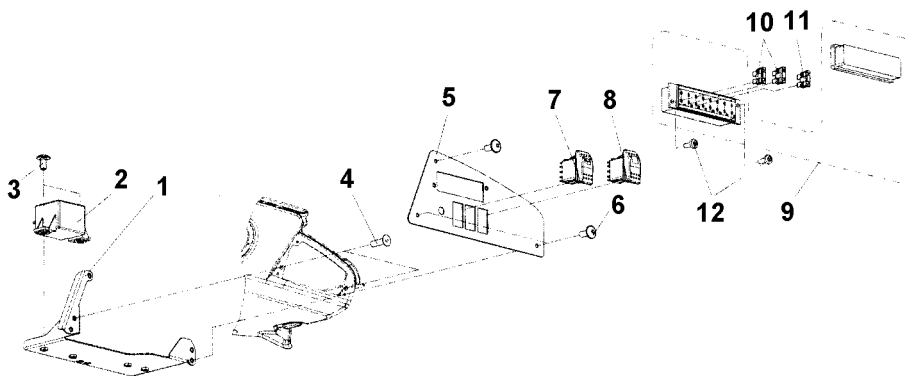
Heater controls

Item	Part No	Rem Qty	Description	Code
1		1	Panel plate	
2	4700377508	2	Knob	D
3	4700938622	1	Switch	B
4		2	Cover	
5	4700377507	1	Rotary control	D
6		1	Overlay	
7	4700395841	1	Wire clips	D
8		1	Wire	
9	4700395853	2	Lock washer	D



Cab cabel harness

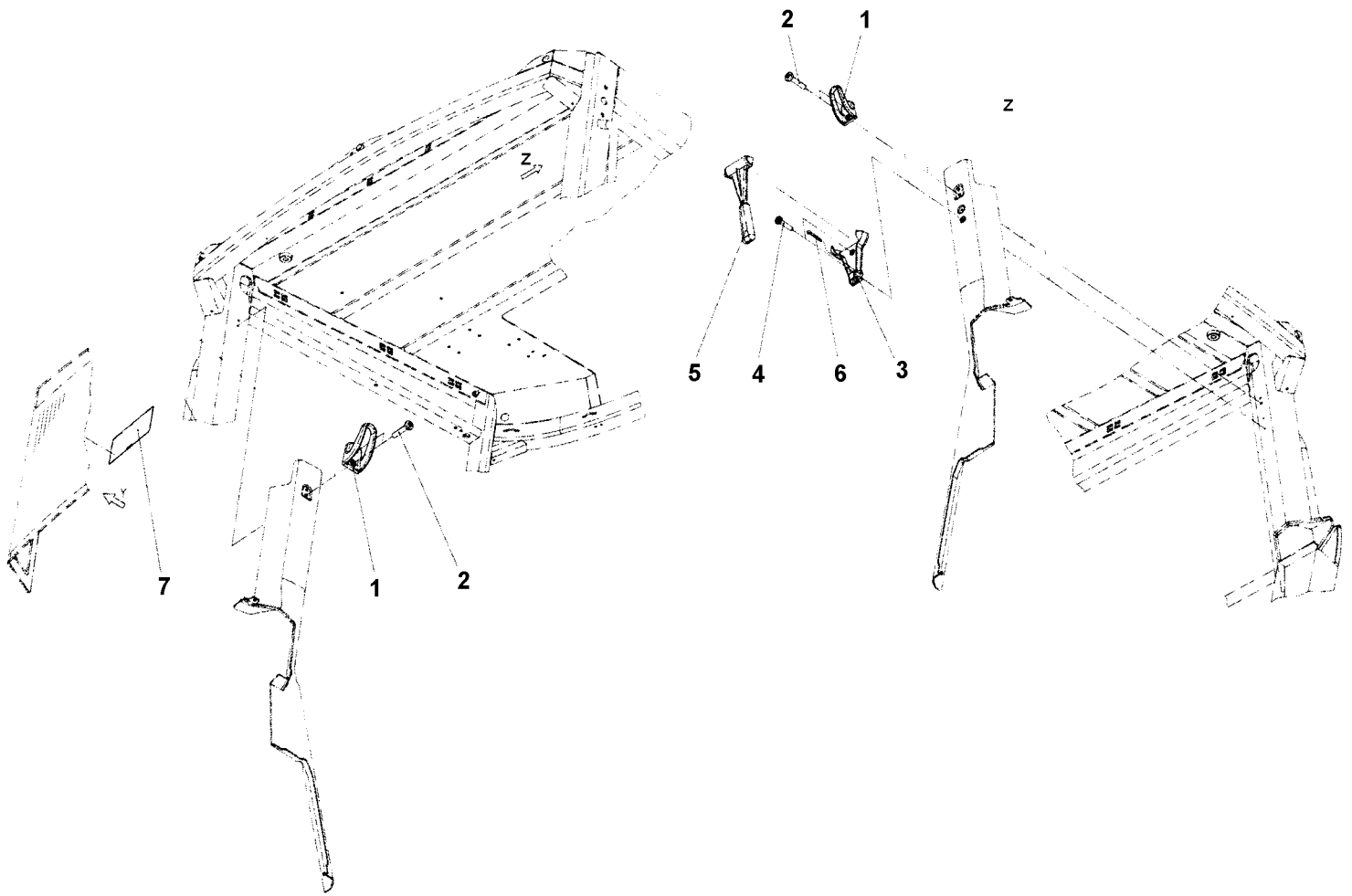
Item	Part No	Rem Qty	Description	Code
1	4812115181	1	Cable harness	
2		1	Lamp	
3	4812115182	1	Bracket	
4	4700904228	2	Washer 6,4x12x1,5	C
5		2	Screw	
6	4812115183	1	Door switch	
7	4700792441	4	Cable tie with holder	C
8		2	Cable tie holder	
9	4700313041	28	Cable ties L=200 mm	B
10		2	Screw	



Cab, electrical equipment

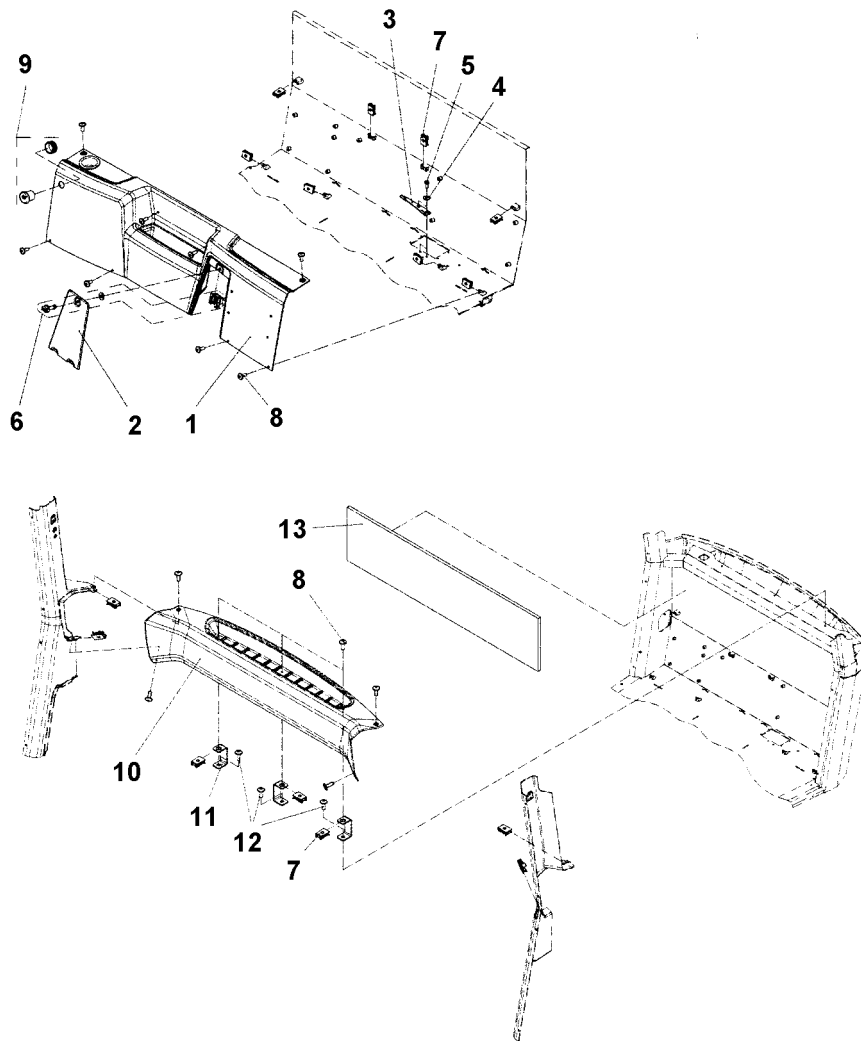
Item	Part No	Rem Qty	Description	Code
1	4812115184	1	Bracket	
2	4700792309	1	Relay 50A	D
3		2	Screw	
4	4700904504	2	Screw M5 x 18	C
5	4812115185	1	Bracket	
6		3	Screw	
7	4812115187	1	Switch	
8	4700792505	1	Switch	D
9	4700791185	1	Fuse box	
10	4700901227	2	Fuse 10A	A
11	4700901228	1	Fuse 15A	A
12	4700791966	2	Head screw M4 x 12	

Emergency hammer, hook



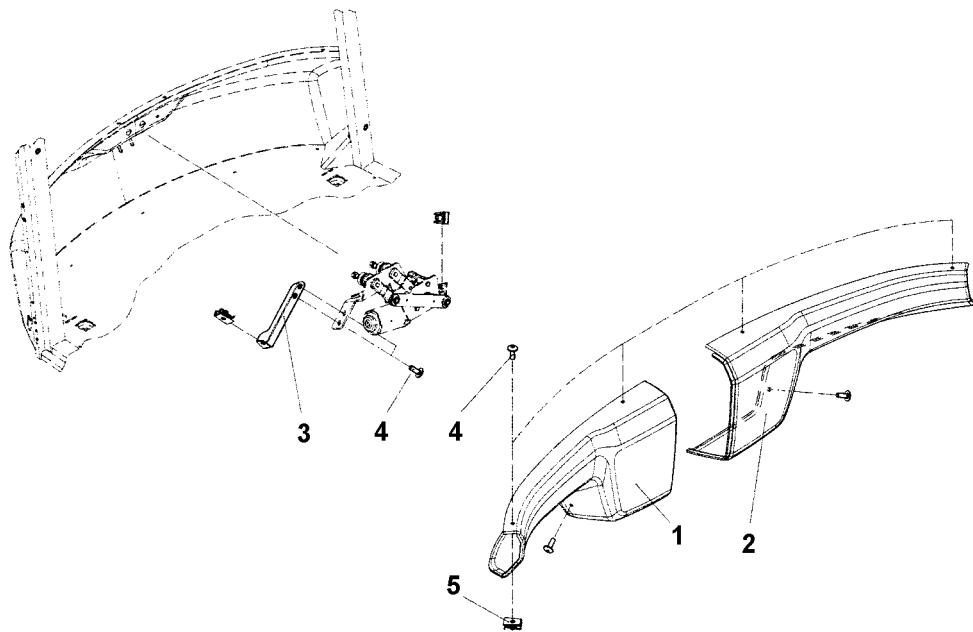
Emergency hammer, hook

Item	Part No	Rem Qty	Description	Code
1	4700908505	2	Hook	D
2		4	Screw	
3	4700908507	1	Emergency hammer, hook	D
4		2	Screw	
5	4700908506	1	Emergency hammer	D
6		1	Splint	
7	4700903590	1	Decal "EMERGENCY EXIT"	



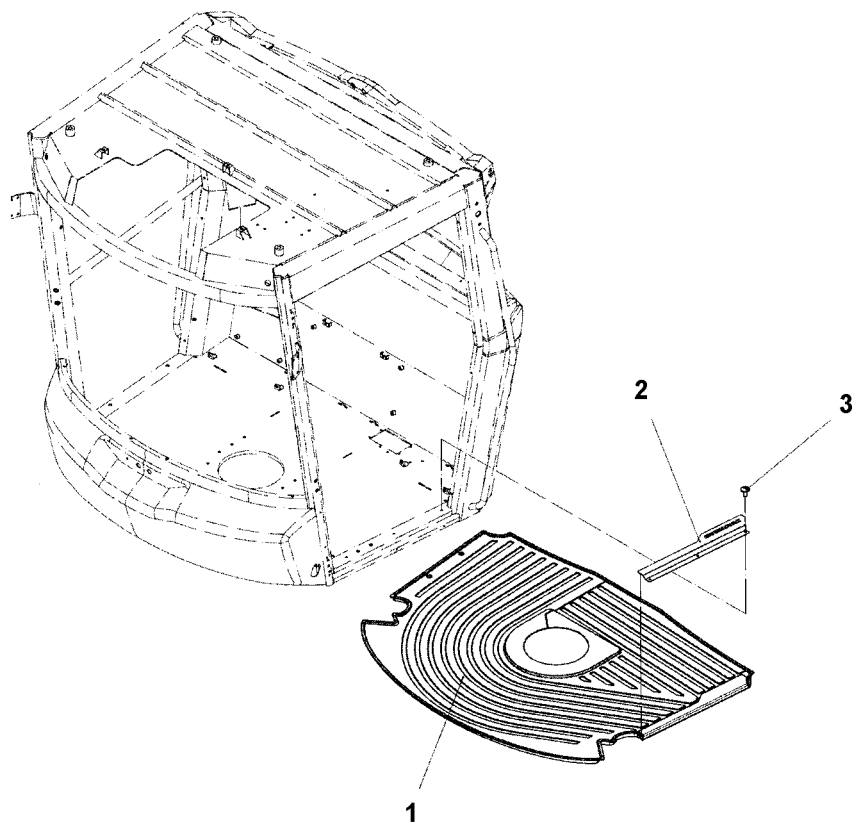
Cab, rear cover

Item	Part No	Rem Qty	Description	Code
1	4812114573	1	Cover	
2	4812114564	1	Service cover	
3	4812114565	1	Bracket	
4	4700601001	2	Washer	C
5	4700500004	2	Screw M5 0,8x12 8,8	C
6	4812114566	1	Lock	
7	4812114567	15	Speed nut	
8		15	Screw	
9		1	Socket, 24V	
10	4812114574	1	Cover	
11	4812114575	3	Bracket	
12		3	Screw	
13	4812114576	1	Cover	



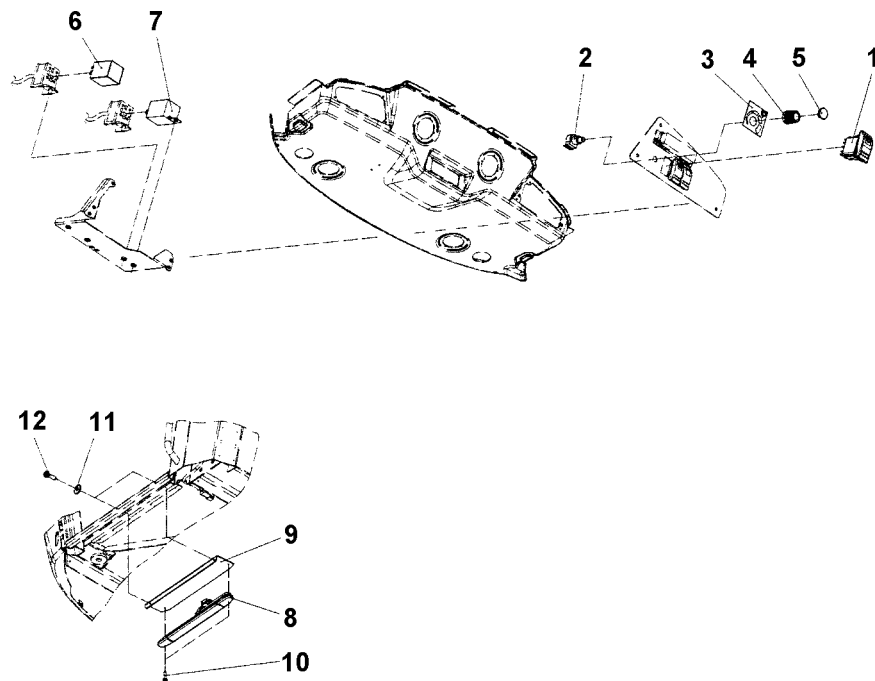
Cab, front cover

Item	Part No	Rem Qty	Description	Code
1	4812114570	1	Cover	
2	4812114571	1	Cover	
3	4812114572	1	Bracket	
4		8	Screw	
5	4812114567	6	Speed nut	



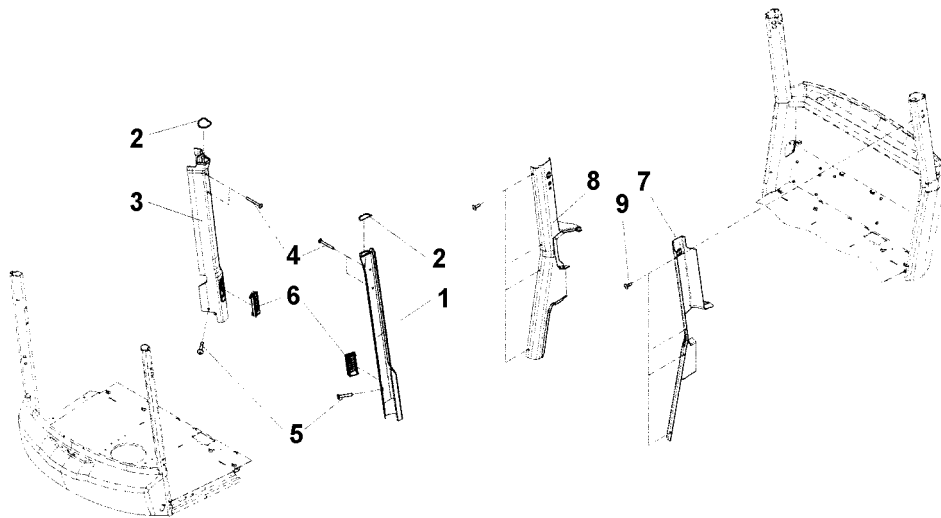
Floor mat

Item	Part No	Rem Qty	Description	Code
1	4812115197	1	Floor mat	
2	4812115198	1	Entrance plate	
3		3	Screw	



Step light, wiper switch

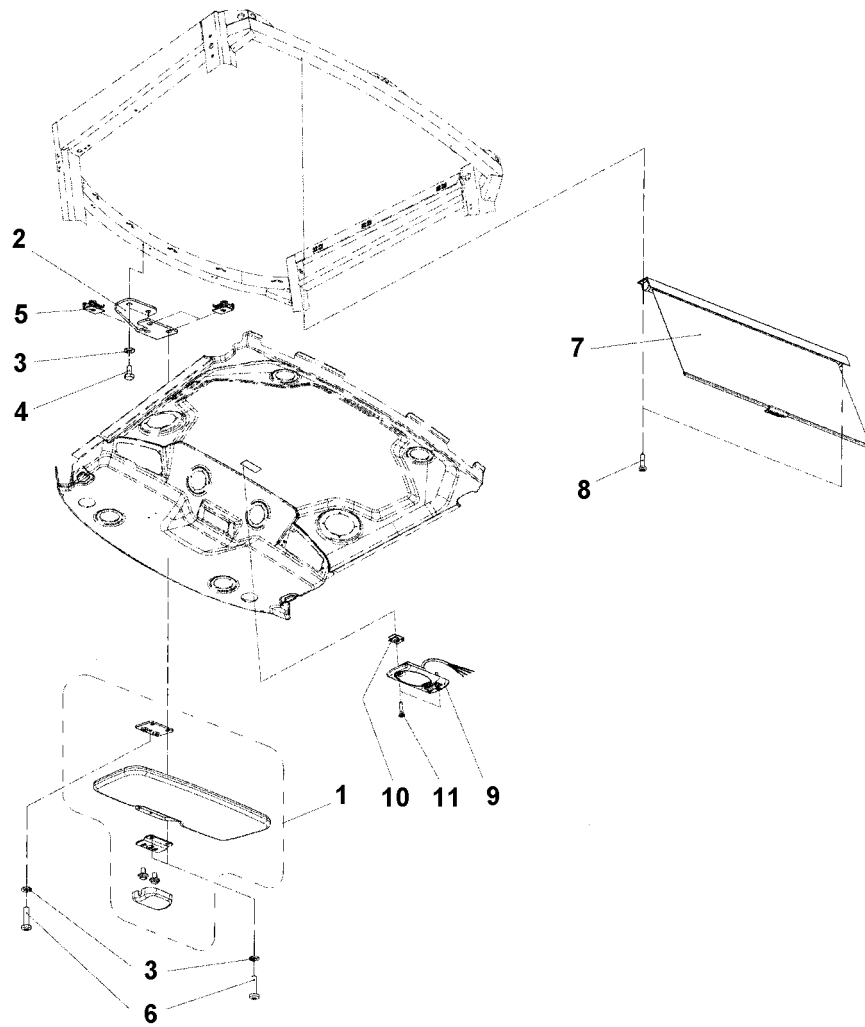
Item	Part No	Rem Qty	Description	Code
1	4812115188	1	Switch, front wiper	
2	4812115189	1	Potentiometer	
3		1	Decal	
4	4812158859	1	Knob	
5	4812158860	1	Cap	
6	4812115190	1	Relay interval	
7	4812115191	1	Time control unit	
8	4812115199	1	Step light	
9	4812115224	1	Bracket	
10		2	Screw	
11		2	Washer	
12		2	Screw	



Air channel

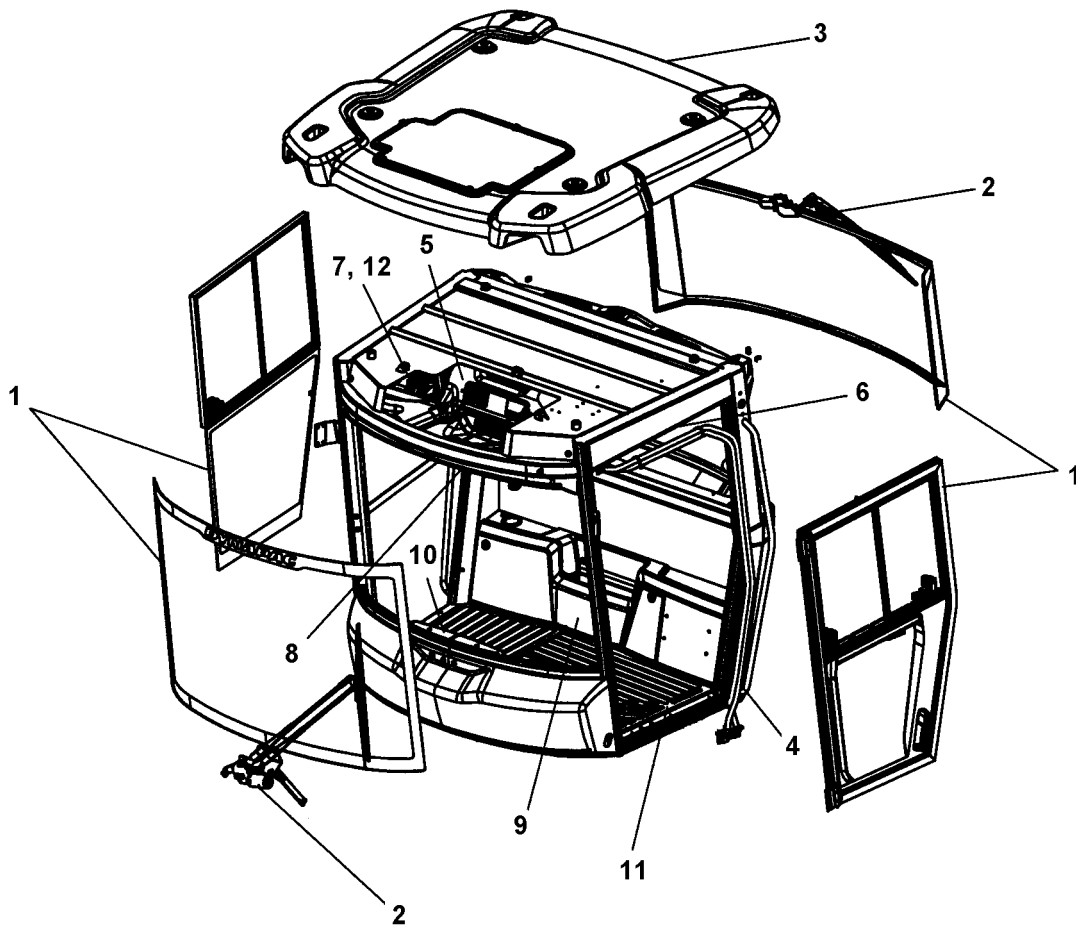
Item	Part No	Rem	Qty	Description	Code
1	4812114577		1	Air channel	
2		A	2XL	Seal	
3	4812114578		1	Air channel	
4			4	Screw	
5			2	Screw	
6	4812114579		2	Air nozzle	
7	4812114580		1	Cover	
8	4812114581		1	Cover	
9			8	Screw	

A) L=0.195m



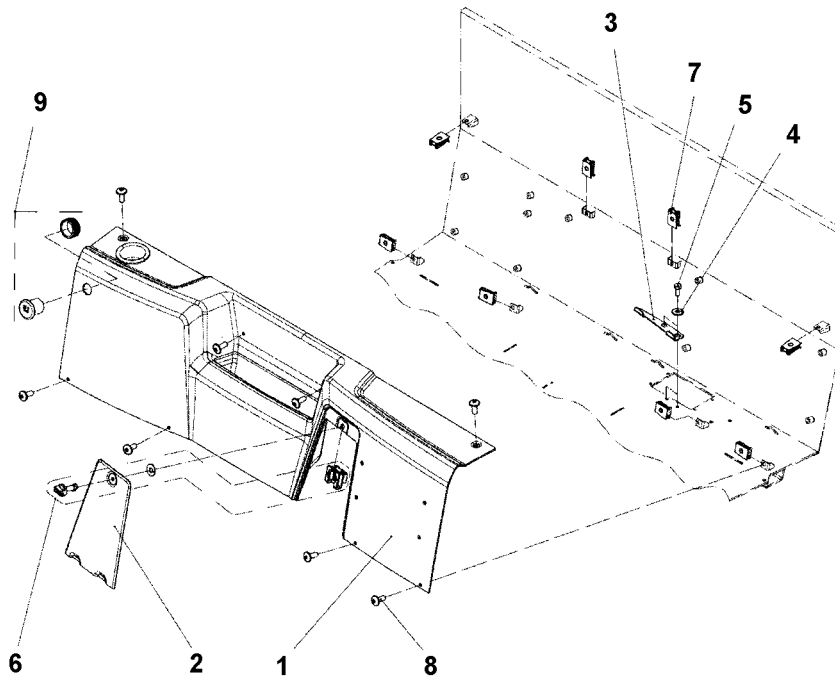
Sun-blind, inner light

Item	Part No	Rem Qty	Description	Code
1	4812114582	1	Sun-blind	
2	4812114583	1	Bracket	
3	4700904228	5	Washer 6,4x12x1,5	C
4	4700500012	2	Screw M6x12	C
5	4812114567	3	Speed nut	
6	4700791171	3	Screw	D
7	4812114584	1	Sun-blind	
8	4700904206	2	Screw	C
9	4812114585	1	Inner light	
10		2	Nut	
11		2	Screw	



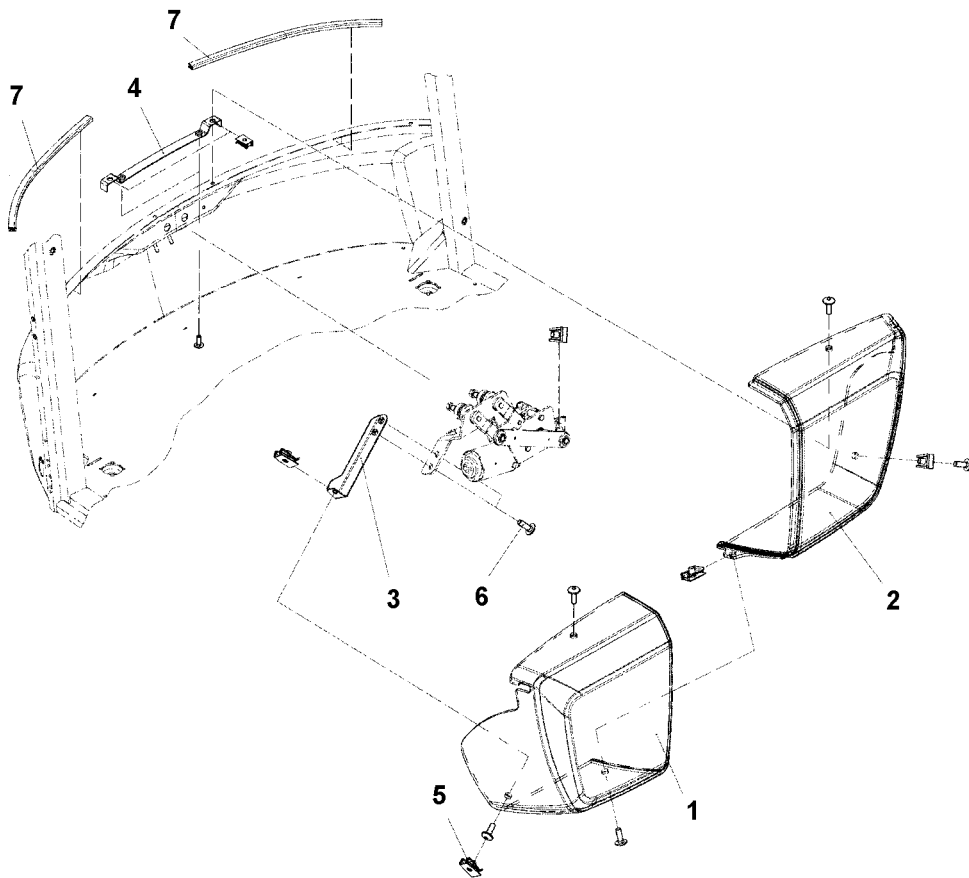
4812112302 Cab, cpl Basic

Item	Part No	Rem Qty	Description	Code
1		1	Screens (Page 430)	
2		1	Windshield wiper (Page 436)	
3		1	Roof (Page 438)	
4		1	Hose kit heater (Page 442)	
5		1	Cab Interior (Page 444)	
6		1	Cab cabel harness (Page 448)	
7		1	Cab, electrical equipment (Page 450)	
8		1	Emergency hammer, hook (Page 452)	
9		1	Cab, rear cover (Page 468)	
10		1	Cab, front cover (Page 470)	
11	4812114568	1	Floor mat	
12		1	Wiper switch, front (Page 472)	
14		1	Cab, basic kit (Page 422)	
15	4812112268	1	Rops	



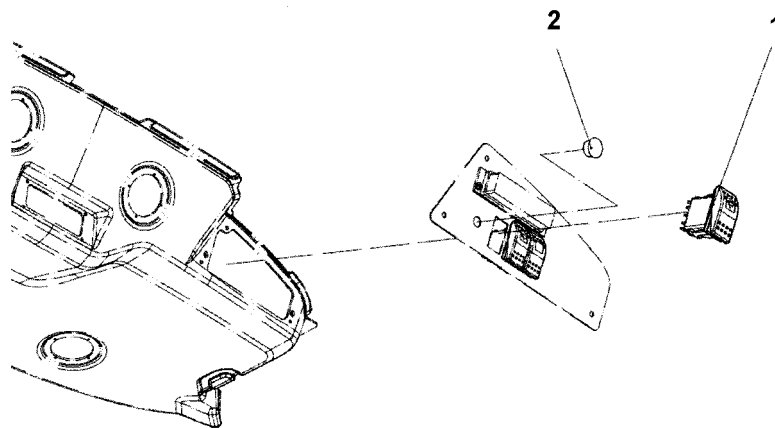
Cab, rear cover

Item	Part No	Rem Qty	Description	Code
1	4812114563	1	Rear cover	
2	4812114564	1	Service cover	
3	4812114565	1	Bracket	
4	4700601001	2	Washer	C
5	4700500004	2	Screw M5 0,8x12 8,8	C
6	4812114566	1	Lock	
7	4812114567	8	Speed nut	
8		8	Screw	
9		1	Socket, 24V	



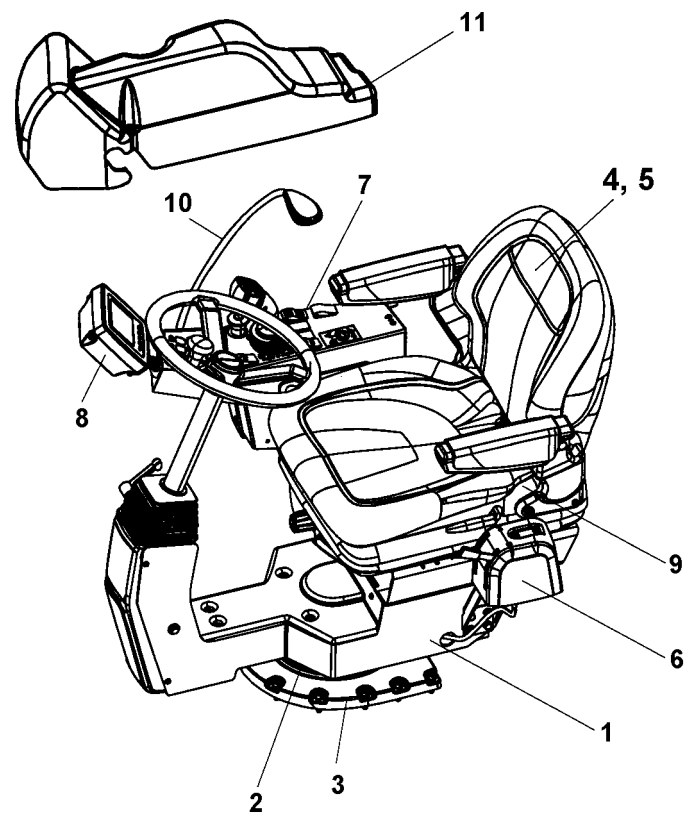
Cab, front cover

Item	Part No	Rem	Qty	Description	Code
1			1	Front cover Left	
2			1	Front cover Right	
3	4812114572		1	Bracket	
4			1	Bracket	
5	4812114567		5	Speed nut	
6			9	Screw	
7	4700202028	A	2XL	Edge trim	D
A)	L=0.473m				



Wiper switch, front

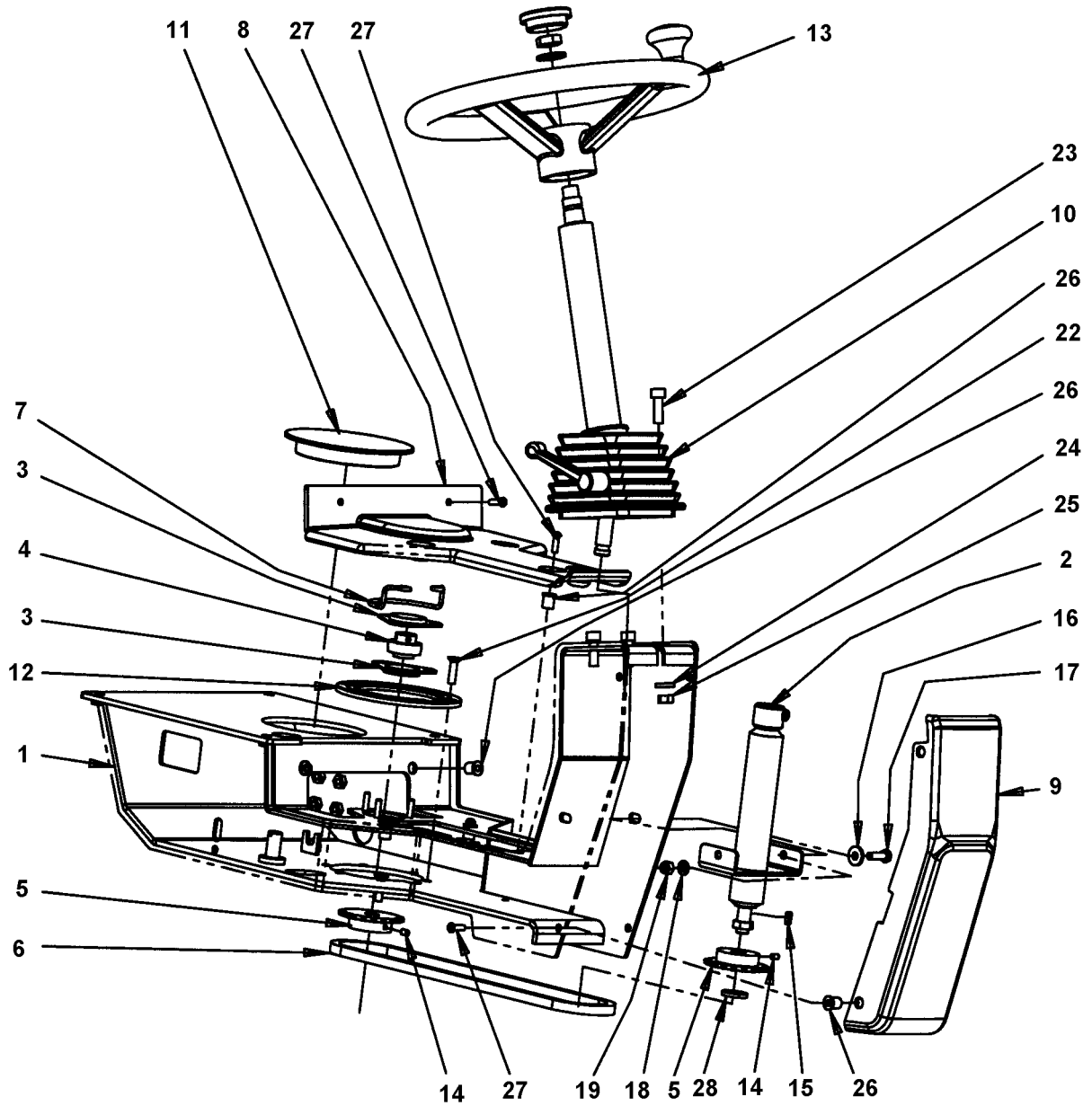
Item	Part No	Rem Qty	Description	Code
1	4812115192	1	Switch	
2		1	Plug	



Drivers seat

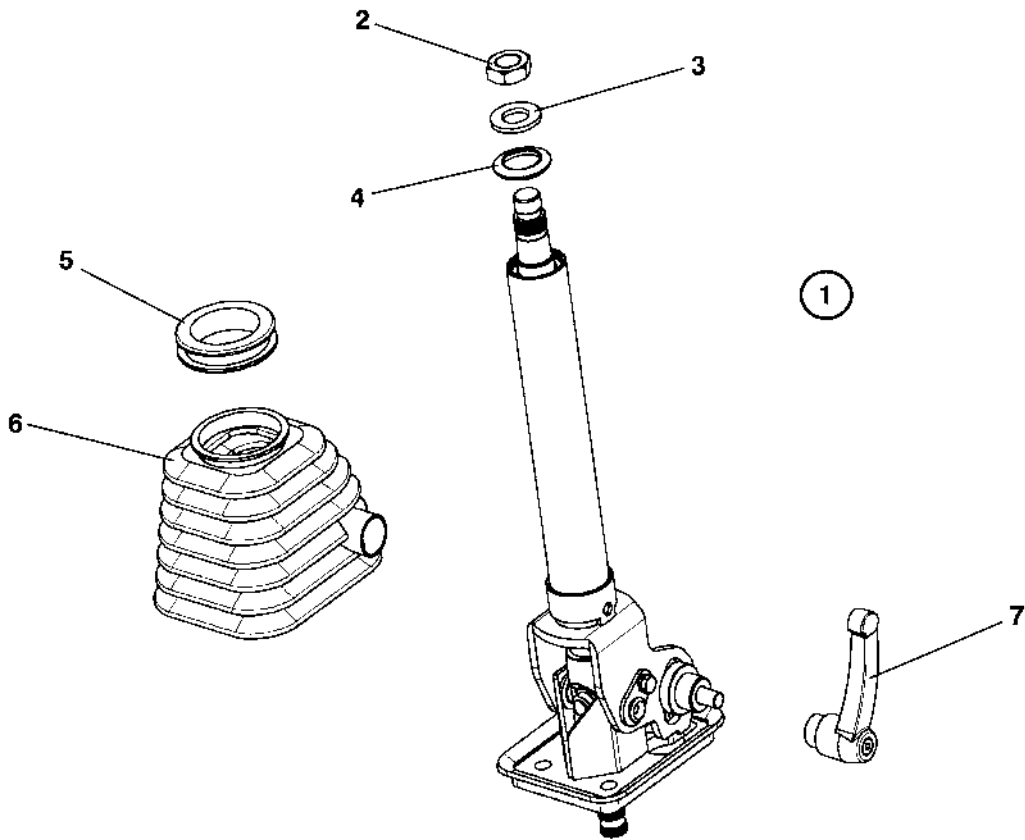
Item	Part No	Rem	Qty	Description	Code
1			1	Seat frame structure (Page 476)	
2			1	Seat frame adapter module, rotating (Page 480)	
			1	Seat frame adapter module, fixed (Page 482)	
3			1	Floor cassette module (Page 484)	
4			1	Seat, fabric suspended (option) (Page 486)	
5			1	Seat, galon suspended (Page 488)	
6			1	Control module (Page 490)	
7			1	Forward reverse control module (Page 492)	B
8			1	Display unit (Page 494)	
9	4700377677		1	Seat belt 2"	B
	4700379637	A	1	Seat belt 3"	B
		A	1	Seat belt 2" with reminder (Page 496)	
		A	1	Seat belt 3" with reminder (Page 498)	
10			1	Reading light (Page 500)	
11			1	Control panel cover (Page 502)	

A) Option.



Seat frame structure

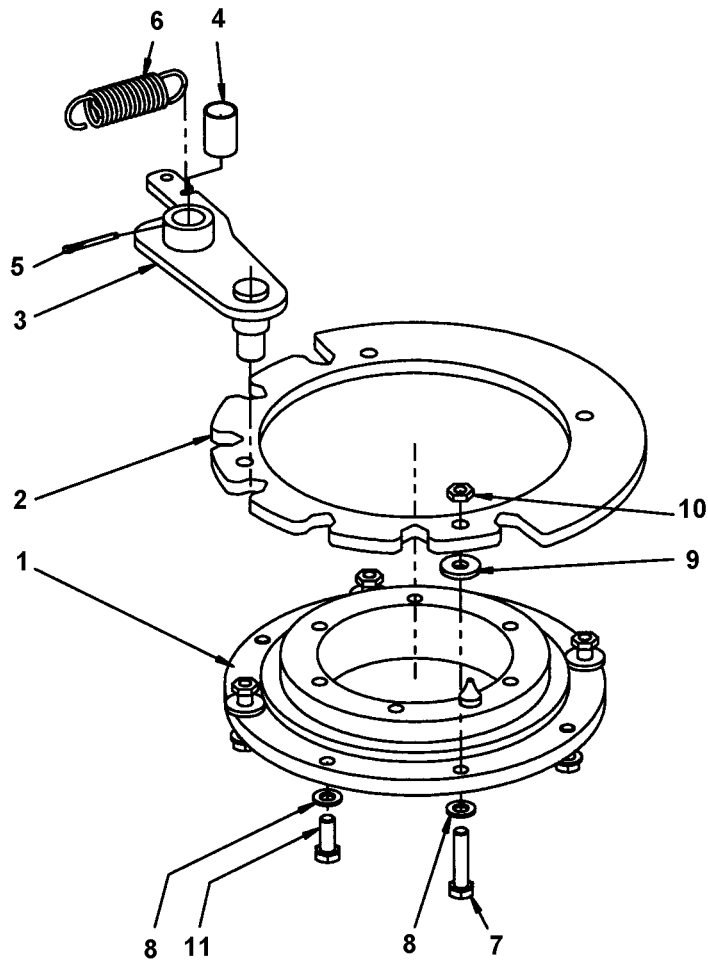
Item	Part No	Rem Qty	Description	Code
1	4700395447	1	Seat frame	D
2	4700359919	1	Shaft	C
3	4700903917	2	Bearing outer	B
4	4700903918	1	Bearing inner	B
5	4700359916	2	Chain wheel	D
6	4700379718	1	Chain and connecting link	C
7	4700372672	1	Chain guard	D
8	4700392839	1	Cover	D
9	4700392840	1	Cover	D
10	4700391163	1	Steering column (Page 478)	D
11	4700359920	1	Plug	C
12	4700372965	1	Lock ring	C
13	4700372964	1	Steering wheel, cpl	D
14	4700516051	2	Set screw	C
15	4700350009	1	Flat key	C
16	4700904640	2	Washer 8,4x22x3	C
17	4700500021	2	Screw M8-1,25x25 8.8	C
18	4700904229	2	Steel plain washer 8,4x16x1,5	C
19	4700586003	2	Lock nut M8	C
22	4700902520	6	Screw	C
23	4700508029	3	Screw M10-1,5x30H 8,8	C
24	4700904557	3	Steel plain washer	C
25	4700570006	3	Nut	B
26	4700792539	10	Rubber nut	C
27	4700791524	10	Screw M6X20	C
28	4700904214	1	Washer 15x30x4 300 HV	C



4700391163 Steering column

Item	Part No	Rem Qty	Description	Code
1	4700391163		Steering column (Page 478)	D
2	4700945632	1	. Nut	C
3	4700945633	1	. Washer	C
4	4700945634	1	. Rubber cap	C
5	4700945635	1	. Bellows ring	C
6	4700945636	1	. Bellows	C
7	4700945637	1	. Locking handle	D

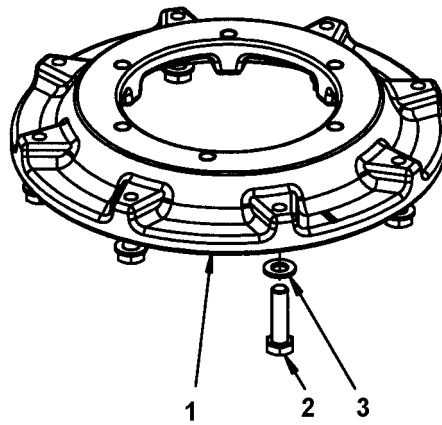
Seat frame adapter module, rotating



Seat frame adapter module, rotating

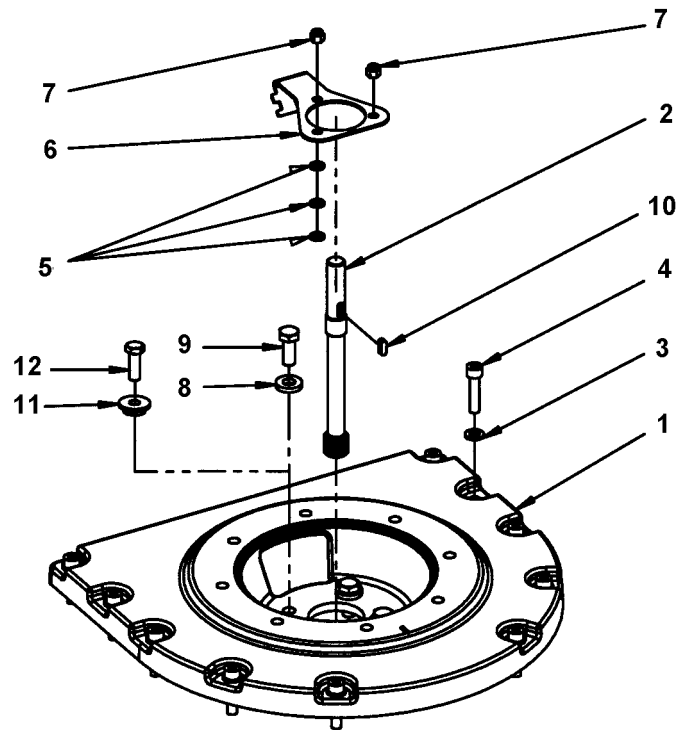
Item	Part No	Rem Qty	Description	Code
1	4700359125	1	Ball bearing	B
2	4700379728	1	Locking disc	C
3	4700395383	1	Coupling link	C
4	4700359819	1	Bushing	C
5	4700630008	1	Pin	D
6	4700359043	1	Spring	D
7	4700792678	4	Screw	C
8	4700904229	8	Steel plain washer 8,4x16x1,5	C
9	4700904640	4	Washer 8,4x22x3	C
10	4700573008	4	Nut M8	C
11	4700947679	4	Screw	C

Seat frame adapter module, fixed



Seat frame adapter module, fixed

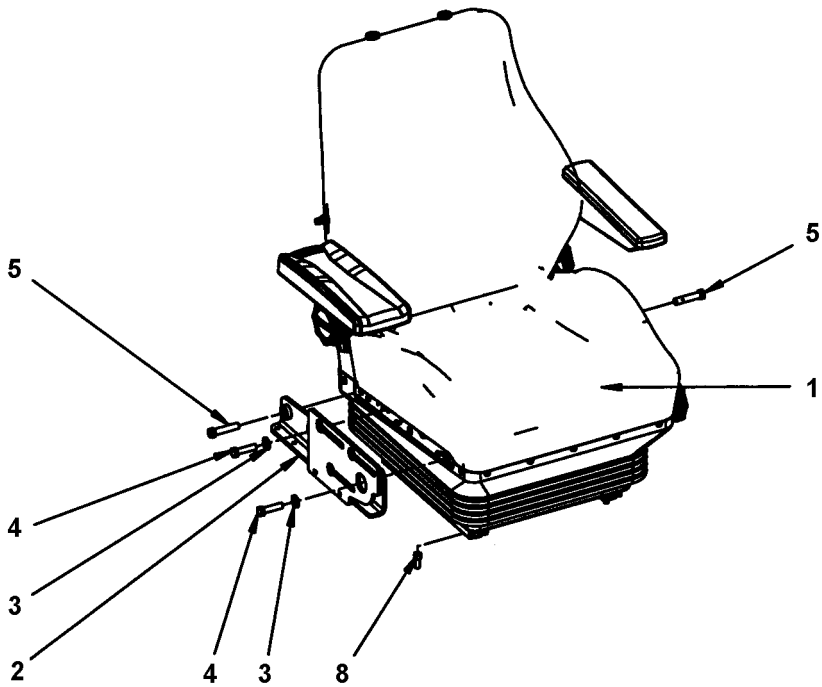
Item	Part No	Rem Qty	Description	Code
1	4812110891	1	Spacer	
2	4700500022	8	Screw M8x30H 8.8	C
3	4700904229	8	Steel plain washer 8,4x16x1,5	C



Floor cassette module

Item	Part No	Rem Qty	Description	Code
1	4812111294	1	Adapter	C
2	4812110885	1	Splined shaft	D
3	4700904229	10	Steel plain washer 8,4x16x1,5	C
4	4700508027	10	Screw	D
5	4700904228	3	Washer 6,4x12x1,5	C
6	4812114172	1	Bracket	D
7	4700586002	3	Lock nut M6 -8	C
8	4700904557	4	Steel plain washer	C
9	4700500280	4	Screw M10x1,5x25	D
10	4700350009	1	Flat key	C
11	4812113478	4	Washer	C
12	4700500029	4	Hexagon head screw	C

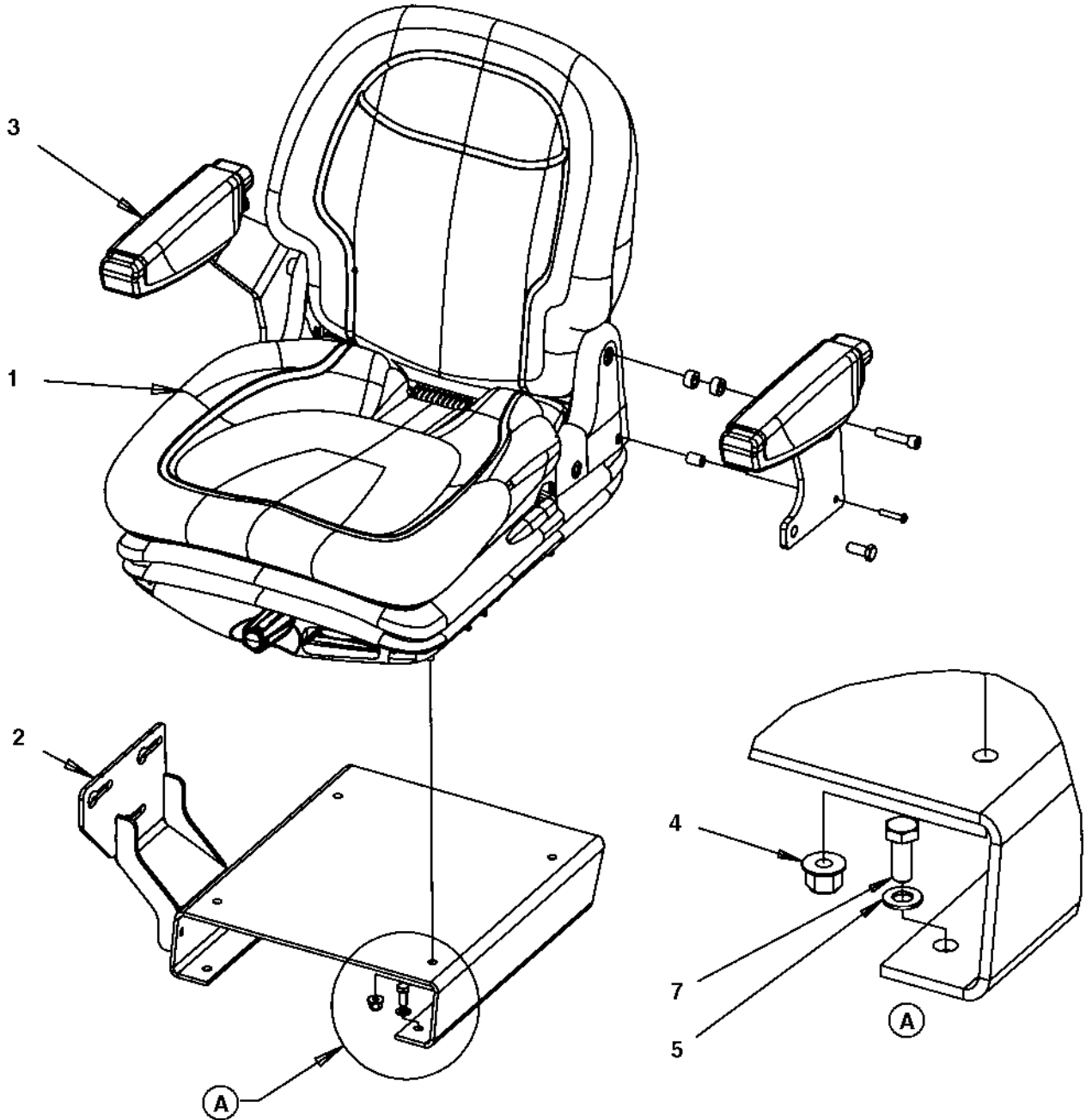
Seat, fabric suspended (option)



Seat, fabric suspended (option)

Item	Part No	Rem	Qty	Description	Code
1	4812116357	A	1	Drivers seat	
	4700937892		1	. Seat switch	B
	4700937620		1	. Arm rest, right	D
	4812158367		1	. Arm rest wide, right	
	4700937621		1	. Arm rest, left	D
2	4812116289		1	Control bracket	
3	4700904230		2	Steel plain washer	C
4	4700500240		2	Screw M10x40H 8,8	D
5	4700903914		2	Screw	C
8	4700508092		4	Screw	C

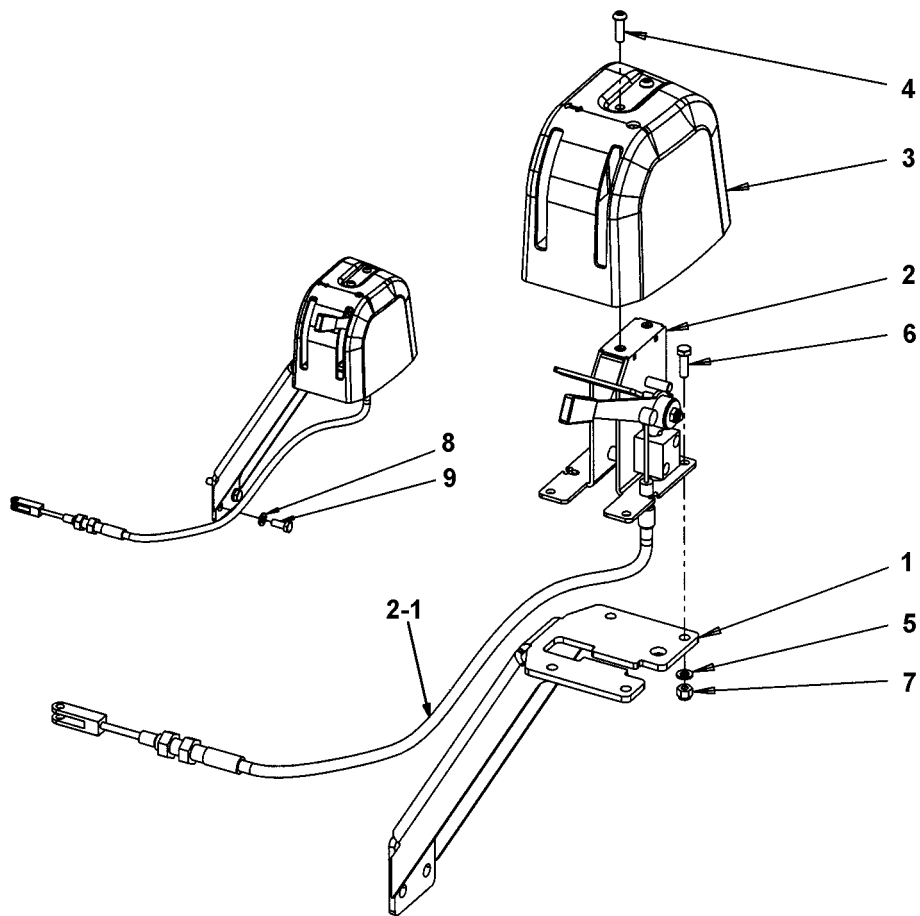
A) Without seat belt.



Seat, galon suspended

Item	Part No	Rem Qty	Description	Code
1	4700377518	1	Drivers seat, cpl	D
	4700945622	1	. Seat switch	B
	4700945661	A 1	. Adjuster kit	D
2	4700390561	1	Seat frame	D
3	4700390963	1	Arm rest kit	D
4	4700902286	4	Hexagon lock nut with flange	C
5	4700904229	4	Steel plain washer 8,4x16x1,5	C
7	4700500053	4	Screw M8x20H 8.8	C

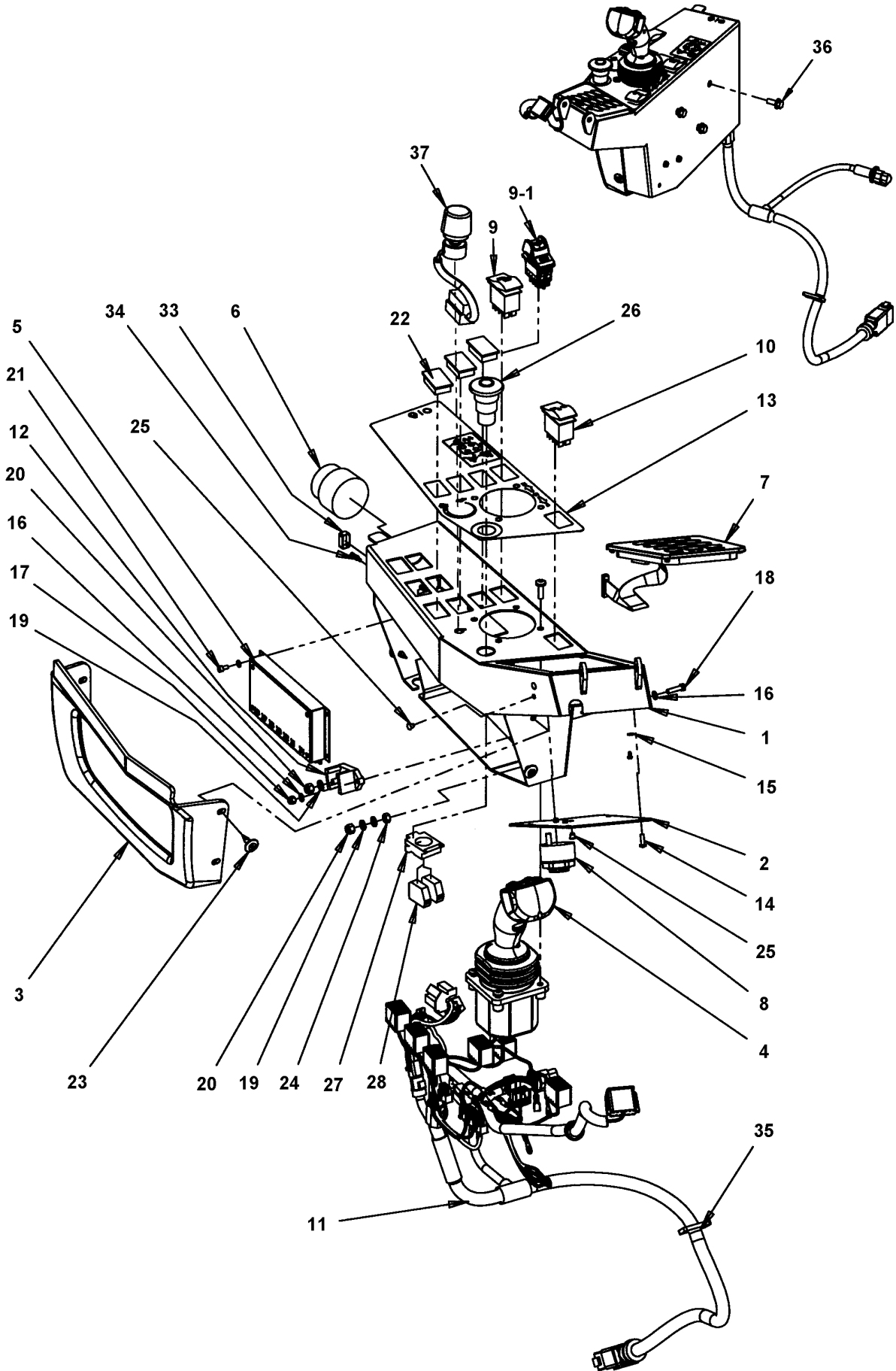
A) Left & right sliding rail



Control module

Item	Part No	Rem Qty	Description	Code
1	4700391241	1	Bracket	D
2	4812111216	1	Control, cpl	D
2-1	4700393496	1	. Cable 675	
3	4700392965	1	Control cover	C
4	4700791524	2	Screw M6X20	C
5	4700904228	4	Washer 6,4x12x1,5	C
6	4700500040	4	Screw M6-1x20 8,8	C
7	4700586002	4	Lock nut M6 -8	C
8	4700904229	4	Steel plain washer 8,4x16x1,5	C
9	4700500053	4	Screw M8x20H 8.8	C

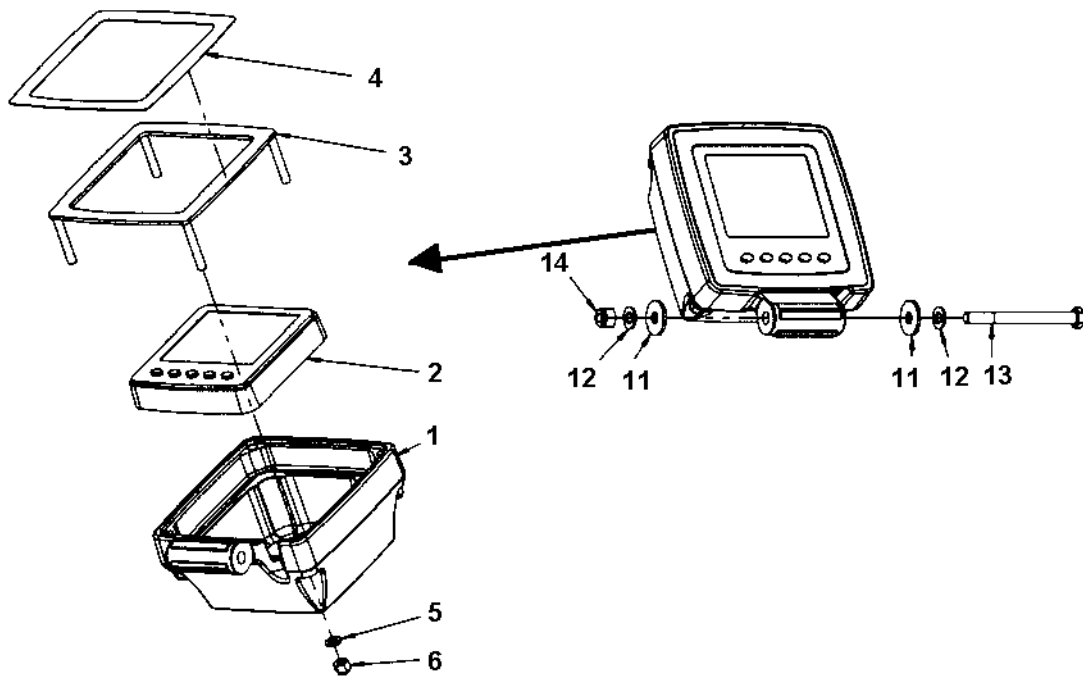
Forward reverse control module



Forward reverse control module

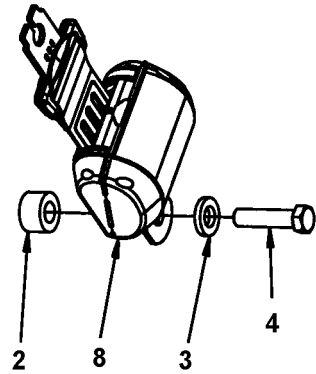
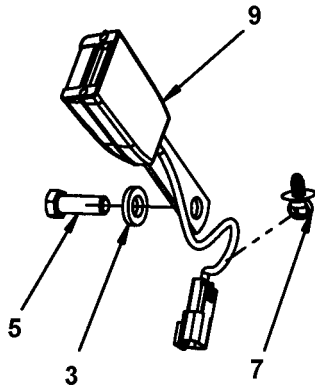
Item	Part No	Rem	Qty	Description	Code
1	4812110886		1	Control box	D
2	4700391396		1	Cover	D
3	4700396662		1	Cover	C
4	4700391420		1	Control handle	D
5	4812113875		1	Control unit	D
6	4812110901		1	Ignition switch	B
	4700940451		1	. Key	D
7	4812114803		1	Membrane switch panel	C
8	4700385599		1	Buzzer	B
9	4700791582		1	Switch, parking brake	B
9-1	4812118697	A	1	Switch, parking brake	
10	4700792414		1	Switch, RPM	D
	4812117490		1	Switch, eco option	
11	4812111979		1	Cable harness	D
	4812118754	A	1	Cable harness	
12	4700392930		1	Junction box	D
13	4812111780		1	Decal	C
14	4700526010		4	Thread rolling screw	C
15	4700904698		8	Washer 4,3x8x0,8	C
16	4700904281		4	Washer 5,3x10x1 300HV	C
17	4700586001		2	Lock nut	C
18	4700500060		2	Screw M5-0,8x20 8.8	C
19	4700904228		3	Washer 6,4x12x1,5	C
20	4700586002		2	Lock nut M6 -8	C
21	4700508017		4	Hexagon socket head cap screw	C
22	4700791588		3	Panel plug	C
23	4700395785		4	Expansion rivet	D
24	4700570004		1	Nut M6X1,00 -8 A2K	C
25	4700902804		5	Plug	C
26	4700791739		1	Emergency stop	B
27	4700791733		1	Fixing collar	C
28	4700791723		2	Connector N/C	B
33	4812114214		1	Cover	D
34	4812114213		2	Lock screw	C
35	4700313041		N	Cable ties L=200 mm	B
36	4700500505		3	Screw M8x20 8.8	C
37	4700388737		1	Potentiometer	B

A) Item 4812118697 used with item 4812118754.



Display unit

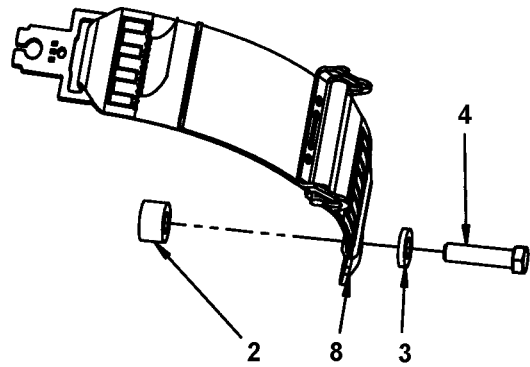
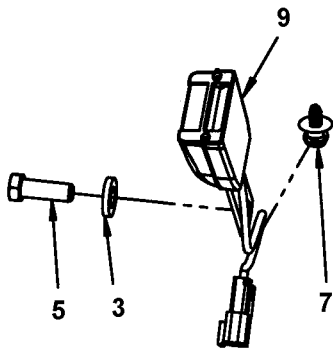
Item	Part No	Rem Qty	Description	Code
1	4700392717	1	Display holder	D
2	4812113786	1	Display unit	B
3	4700392719	1	Cover	D
4	4700393094	1	Decal	D
5	4700904228	4	Washer 6,4x12x1,5	C
6	4700586002	4	Lock nut M6 -8	C
11	4700903662	2	Washer	C
12	4700904229	2	Steel plain washer 8,4x16x1,5	C
13	4700500115	1	Hexagon head screw M8x90 8.8	C
14	4700586003	1	Lock nut M8	C



Seat belt 2" with reminder

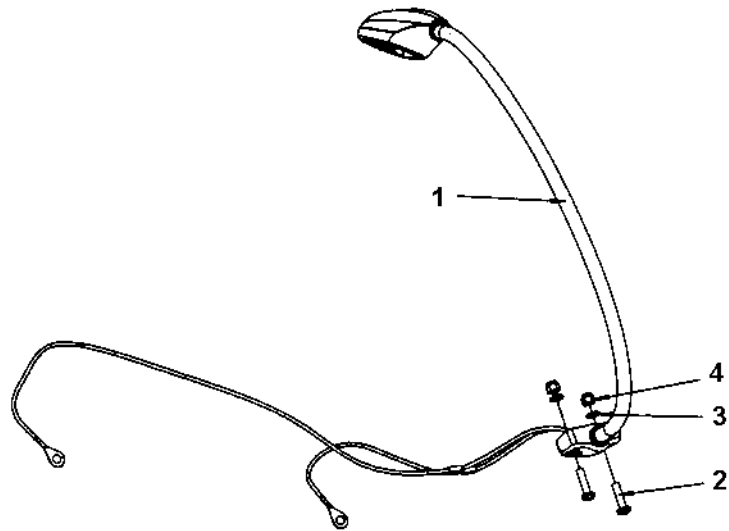
Item	Part No	Rem Qty	Description	Code
2	4700791572	1	Spacer washer	C
3	4700904703	4	Washer	B
4	4700792527	1	Screw	C
5	4700928347	2	Hexagon screw	
7	4700792441	1	Cable tie with holder	C
8	4812117922	1	Seat belt	
9	4812117925	1	Buckle with reminder	

Seat belt 3" with reminder



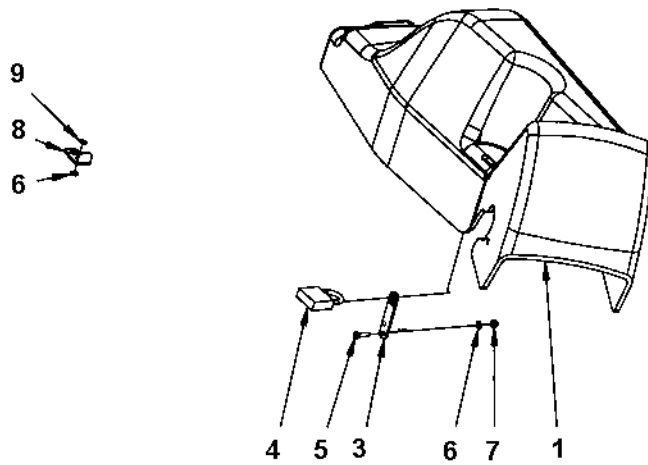
Seat belt 3" with reminder

Item	Part No	Rem Qty	Description	Code
2	4700791572	1	Spacer washer	C
3	4700904703	4	Washer	B
4	4700792527	1	Screw	C
5	4700928347	2	Hexagon screw	
7	4700792441	1	Cable tie with holder	C
8	4812117923	1	Seat belt	
9	4812117925	1	Buckle with reminder	



Reading light

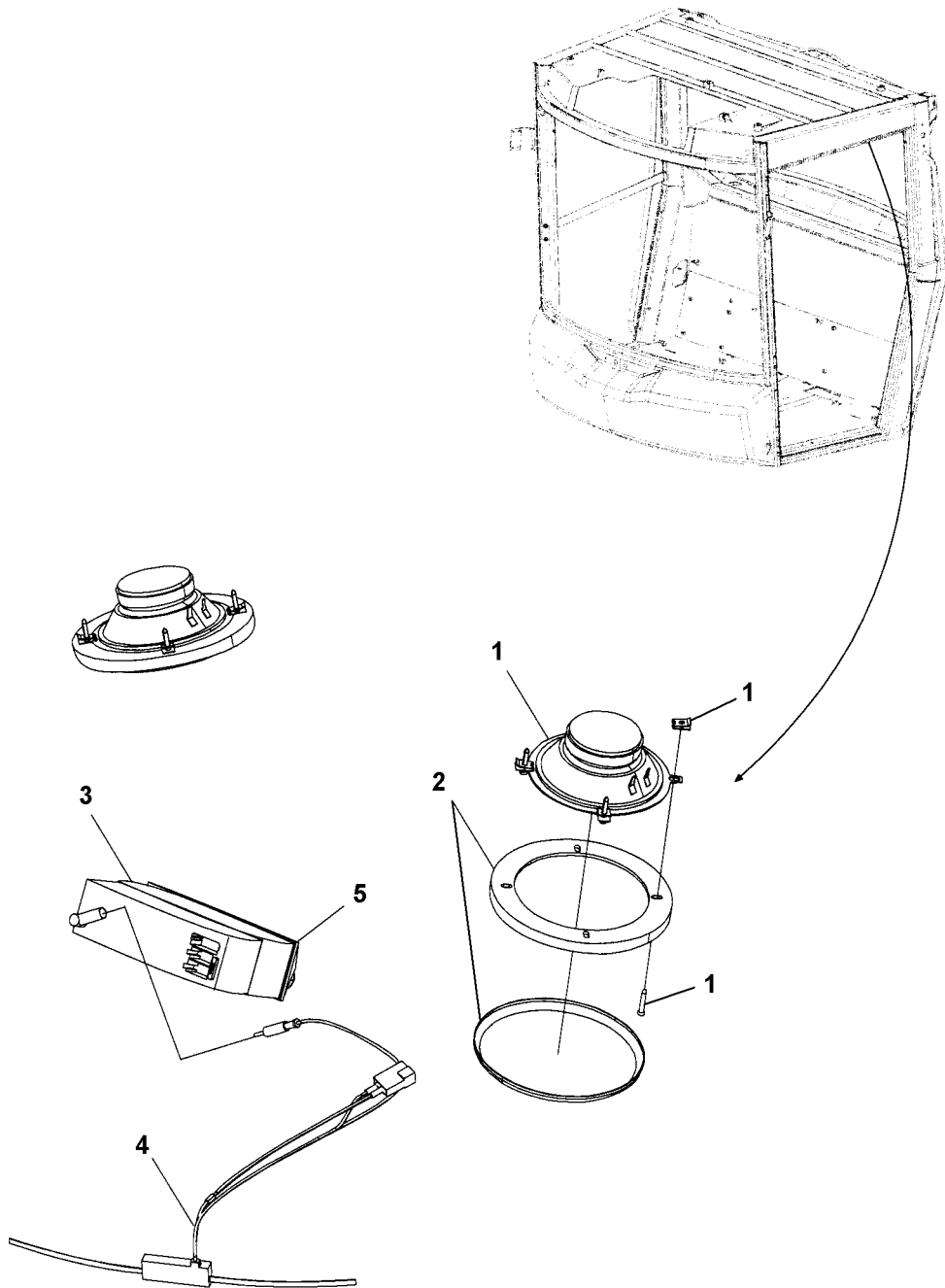
Item	Part No	Rem Qty	Description	Code
1	4700397604	1	Reading lamp	
2	4700791421	2	Machine screw	
3	4700904281	2	Washer 5,3x10x1 300HV	C
4	4700586001	2	Lock nut	C



Control panel cover

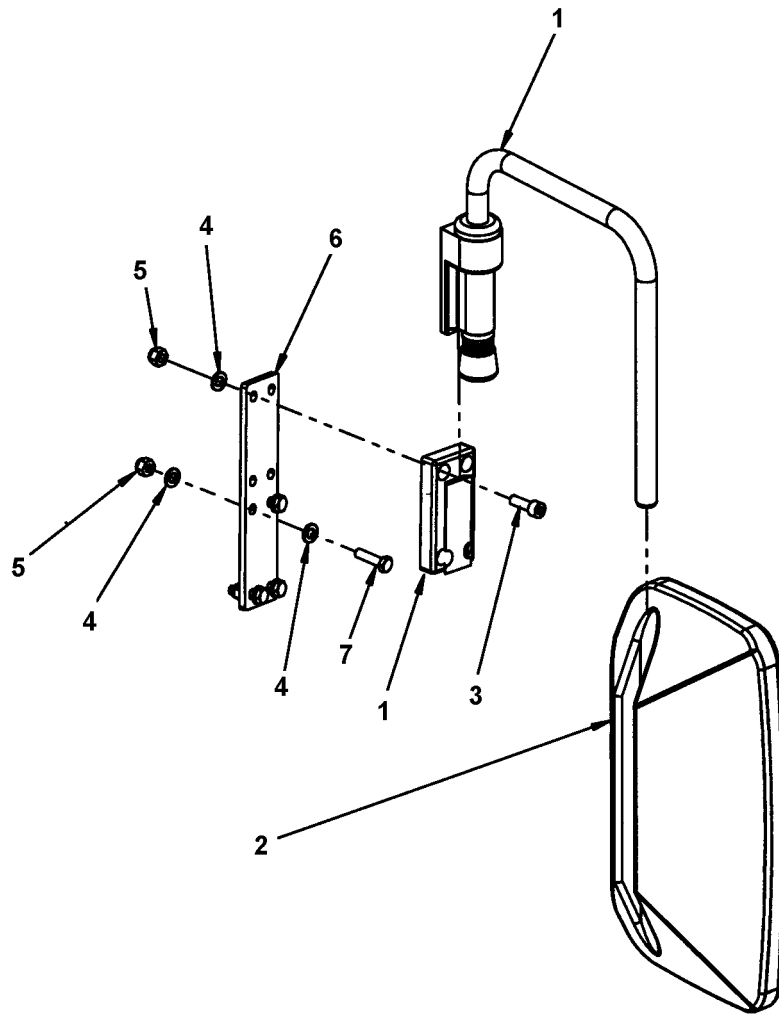
Item	Part No	Rem Qty	Description	Code
1	4700395947	1	Instrument panel cover	D
3	4700387545	1	Latch	D
4	4700358881	1	Pad lock	D
5	4700904653	2	Screw M5x16 A2-70	C
6	4700904281	4	Washer 5,3x10x1 300HV	C
7	4700586001	2	Lock nut	C
8	4700396670	1	Bracket	D
9	4700904619	2	Blind rivet	C

Car stereo module, option



Car stereo module, option

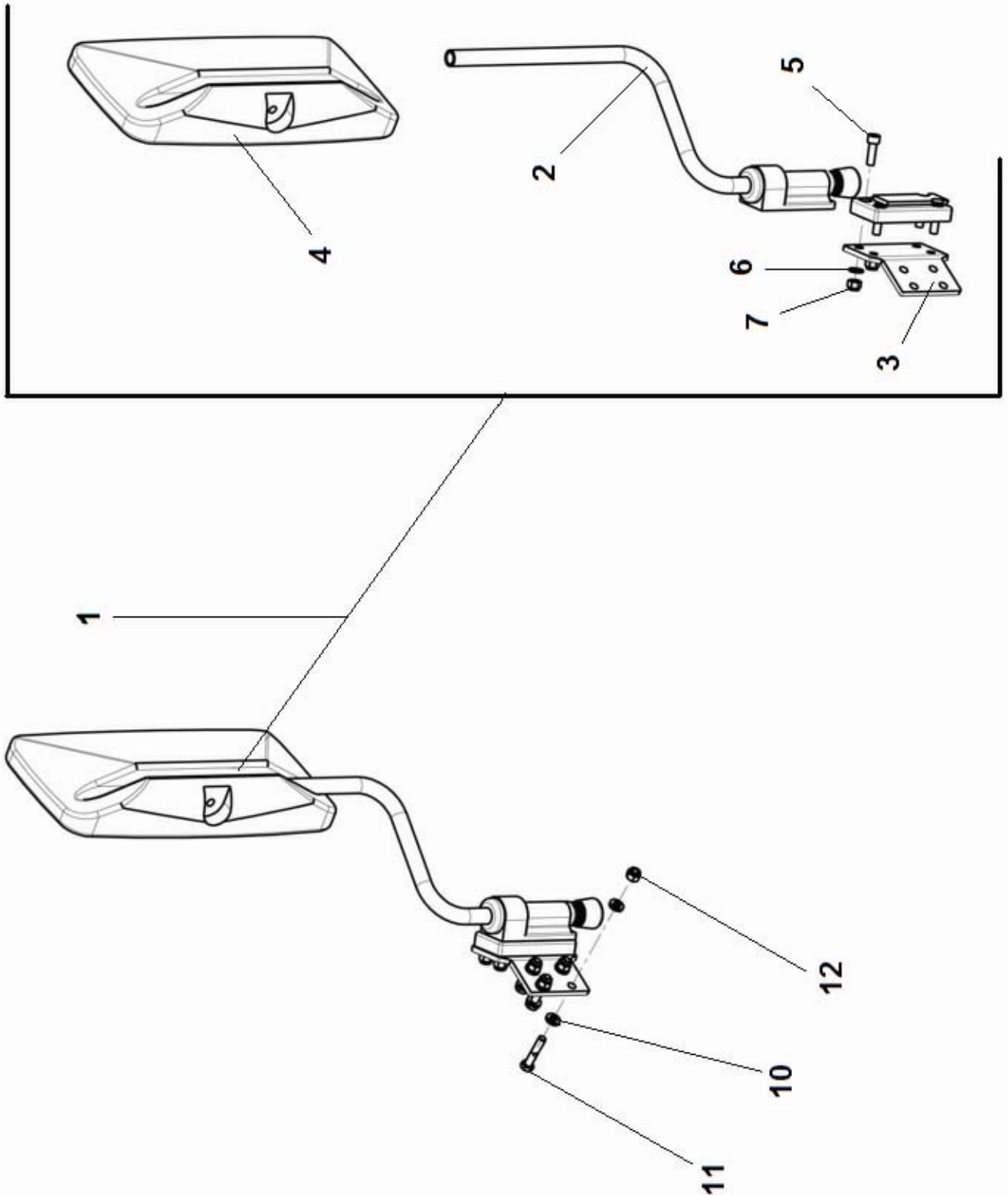
Item	Part No	Rem Qty	Description	Code
1	4811000268	2	Loud speaker	
2	4811000269	2	Loud speaker grille	
3	4811000265	1	Car stereo	
4	4812114194	1	Antenna	
5	4812116986	1	Spacer frame	



Rear view mirror

Item	Part No	Rem	Qty	Description	Code
1	4812110367		1	Bracket	
2	4700381943		1	Mirror	
3	4700508019		4	Screw M8x25 8.8	C
4	4700904229		12	Steel plain washer 8,4x16x1,5	C
5	4700586003		12	Lock nut M8	C
6	4812117964	A	1	Bracket	
7	4700500022		4	Screw M8x30H 8.8	C

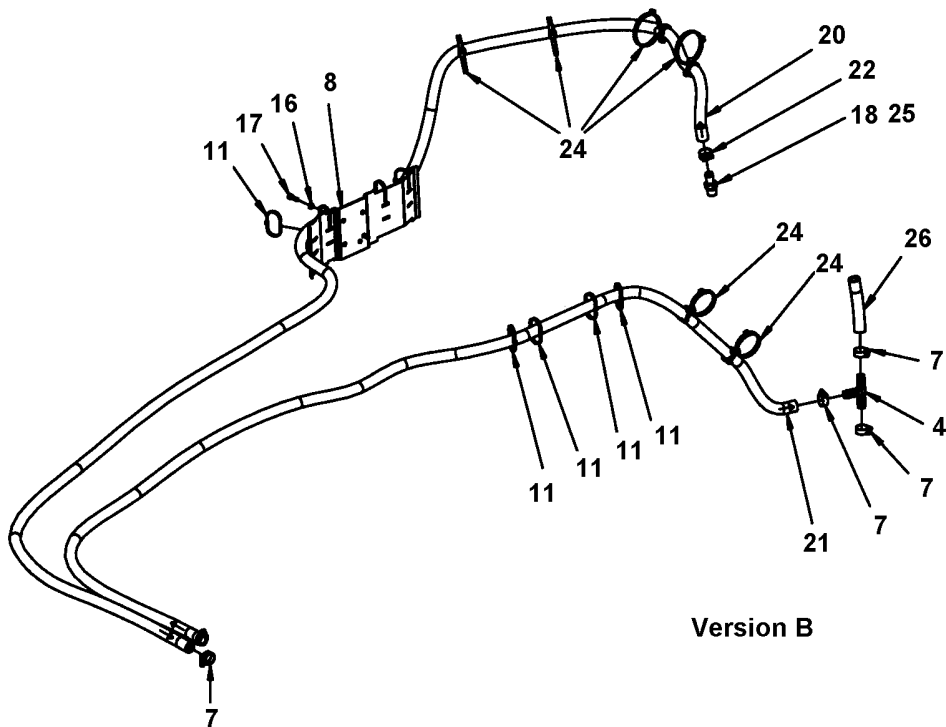
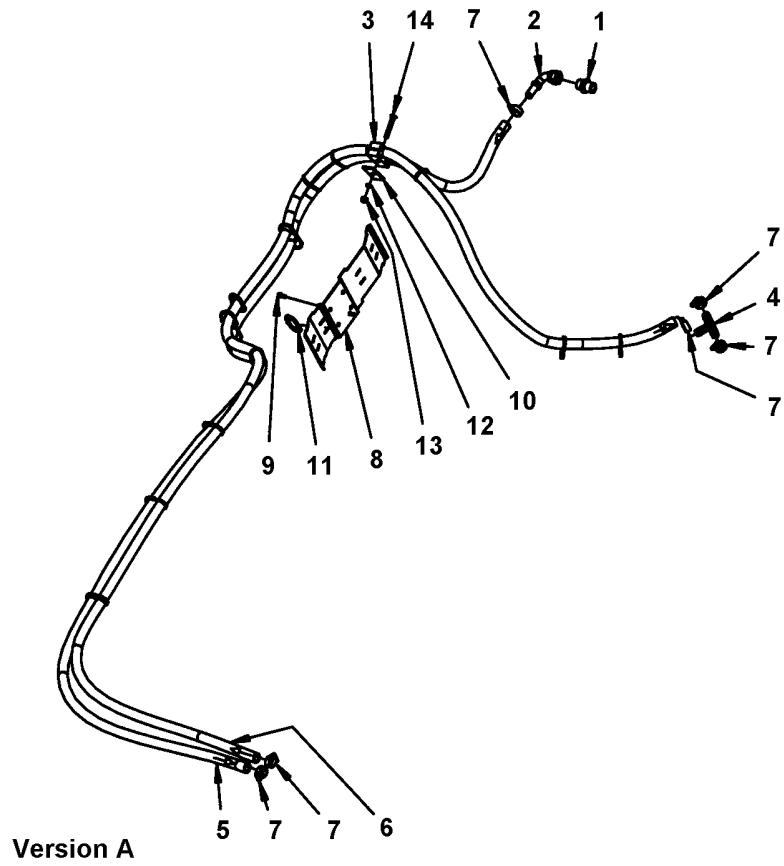
A) Not used on all models.



Rear view mirror module

Item	Part No	Rem	Qty	Description	Code
1	4812110352		1	Mirror assy	
2	4700381944		1	. Mirror bracket	
3	4700392316		1	. Bracket	
4	4700381943		1	. Mirror	
5	4700508019		4	. Screw M8x25 8.8	C
6	4700904229		4	. Steel plain washer 8,4x16x1,5	C
7	4700586003		4	. Lock nut M8	C
10	4700904556		8	Washer 8,4x16x3,0	C
11	4700500024	A	4	Screw M8x45	D
12	4700586003		4	Lock nut M8	C
13	4700500025	B	4	Screw M8-1,25x50 8.8	
14	4700500067	C	4	Screw M8-1,25x55 8.8	

- A) Used on machines with Handrails.
B) Used on machines with Handrails and Canopy.
C) Used on machines with Handrails, Canopy and additional Work lights.



Heater hoses

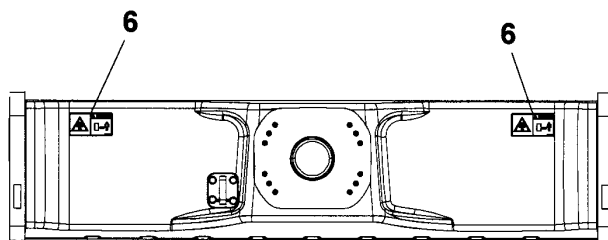
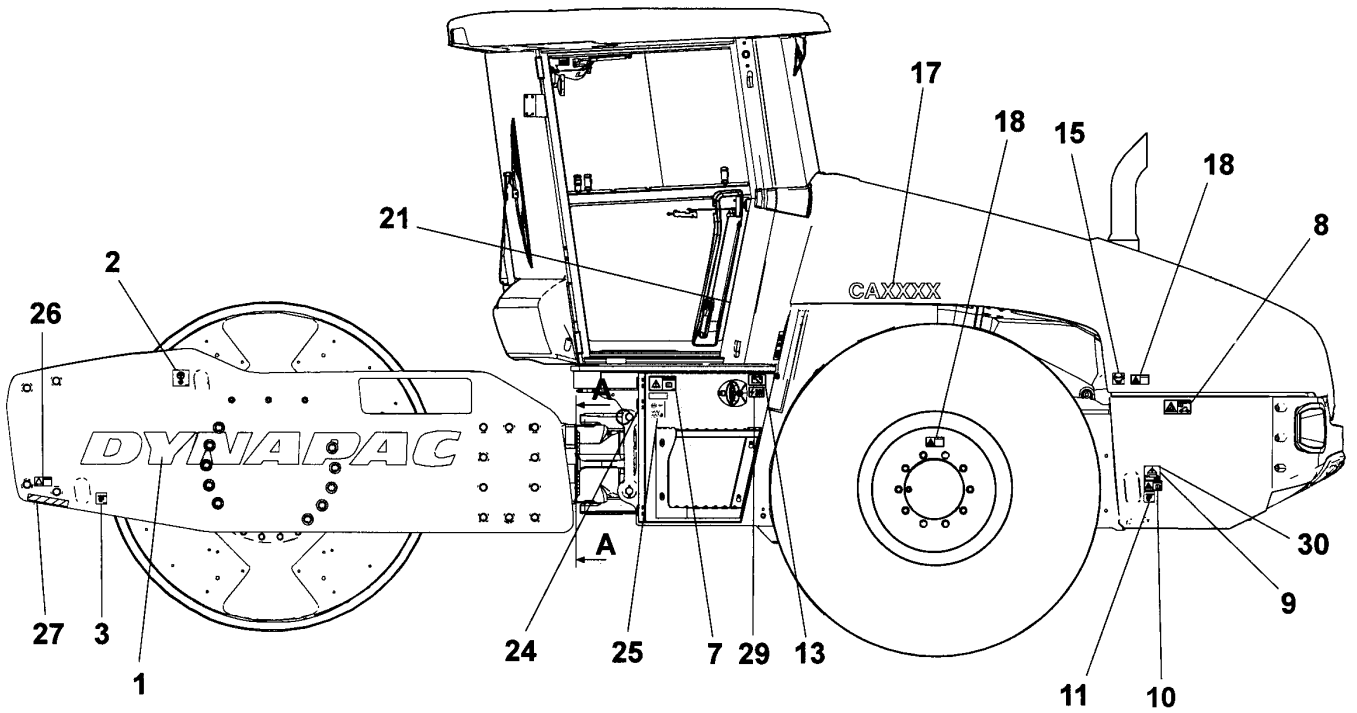
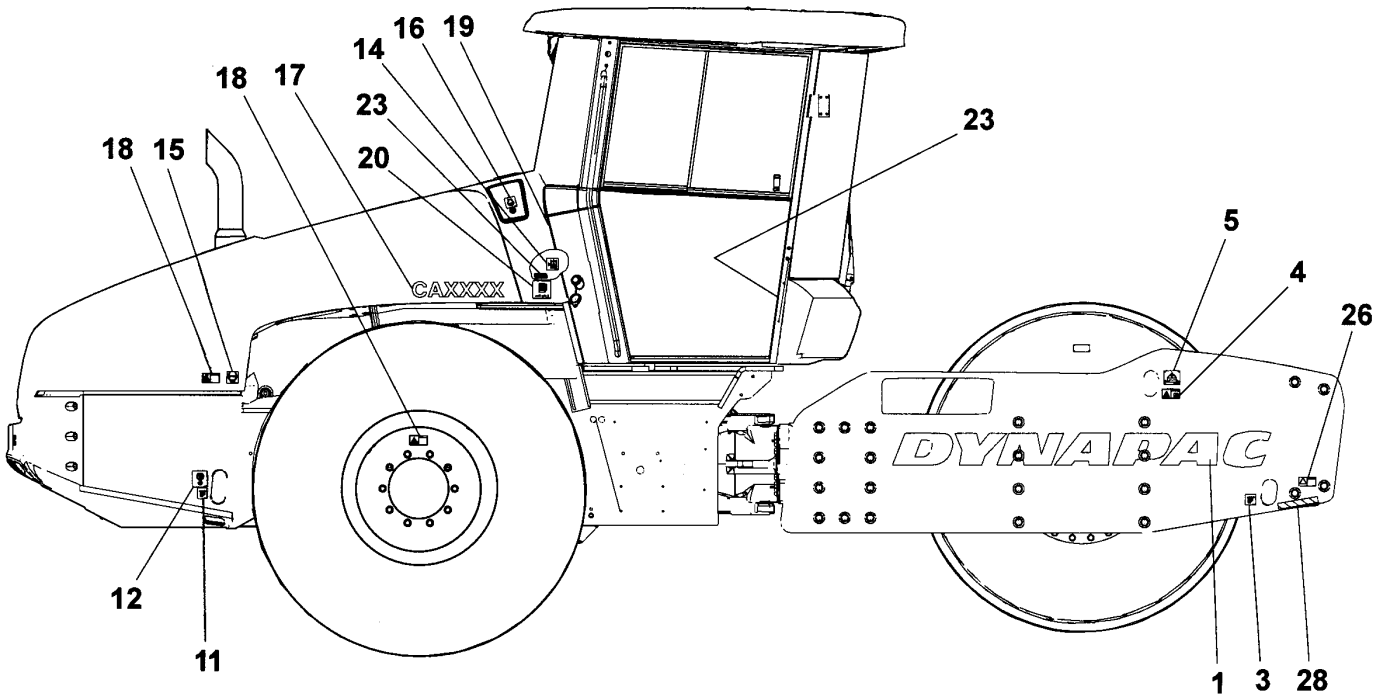
Item	Part No	Rem	Qty	Description	Code
1	4811000531		1	Straight connector orfs	
2	4812115019		1	Hose connection	
3	4700287295		1	Clamp	D
4	4700792065		1	Hose connection	C
5	4700205112	A	1XL	Coolant hose	D
6	4700205112	B	1XL	Coolant hose	D
7	4700313004		6	Hose clamp	D
8	4812114212		1	Bracket	
9	4700508002		2	Screw M6x16	
10	4700287294		1	Cover plate	
11	4700313041		N	Cable ties L=200 mm	B
12	4700904229		1	Steel plain washer 8,4x16x1,5	C
13	4700586003		1	Lock nut M8	C
14	4700903732		1	Screw	
16	4700603010		2	Washer 6,4X12X3	C
17	4700508025		2	Screw M6x20	
18	4700387638		1	Hose connection	
20	4700205112	C	1XL	Coolant hose	D
21	4700205112	D	1XL	Coolant hose	D
24	4812117248		6	Cable tie with holder	
25	4700901141		N	Sealing compound Loctite 577	D
26		E	1	Hose	

- A) L = 3.33m
- B) L = 3.96m
- C) L = 3.7m
- D) L = 2.8m
- E) Existing hose from engine installation.

Decals

Item	Part No	Rem Qty	Description	Code
1		1	Decals (Page 514)	
2		1	Decals (Page 516)	

Decals

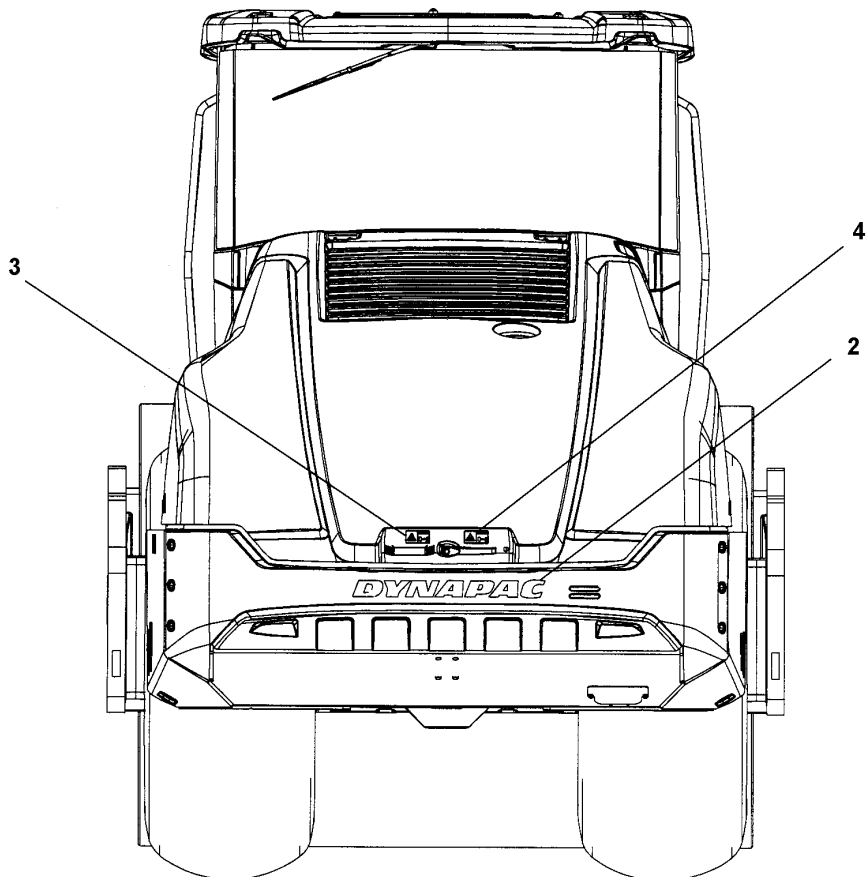
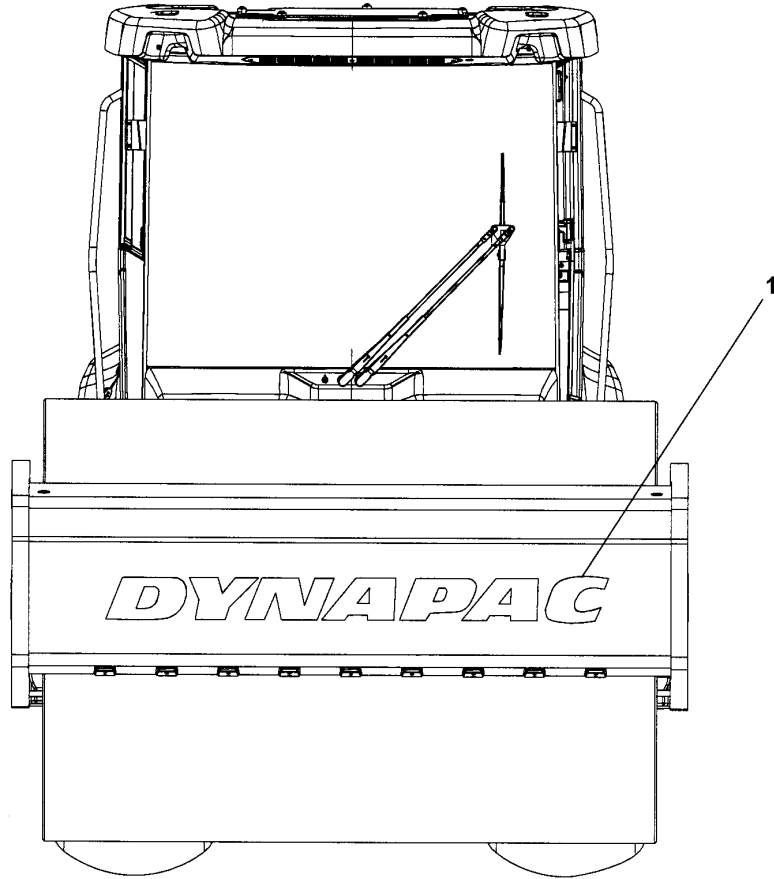


A - A

Decals

Item	Part No	Rem Qty	Description	Code
1	4700904068	2	Decal "DYNAPAC" L=1770 mm	
2	4700588176	1	Decal "LIFT POINT"	D
3	4700382751	2	Decal "TIE DOWN POINT"	D
4	4700908229	1	Safety decal	D
5	4700904870	1	Lifting sign	D
	4700624005	4	Blind rivet 3,2x6,1	C
6	4700903422	2	Decal "SAFETY"	D
7	4700903459	1	Decal "SAFETY"	D
8	4700904895	1	Safety decal "Brake release"	D
9	4700904870	1	Lifting sign	D
10	4700908229	1	Safety decal	D
11	4700382751	2	Decal "TIE DOWN POINT"	D
12	4700588176	1	Decal "LIFT POINT"	D
13	4700904835	1	Decal "BATTERY POWER"	D
14	4700272373	1	Decal "HYDRAULIC OIL"	D
15	4700385080	A	2 Decal "TYRE PRESSURE" 150-170kPa/21-24psi	D
	4700390900	B	2 Decal "TYRE PRESSURE" 110kPa/16psi	D
	4700355983	C	2 Decal "TYRE PRESSURE" 200kPa/29psi	D
16	4700388449	1	Decal "COOLING LEVEL"	
17	4811000504	2	Decal "MODEL CODE", Red CA2500	
	4811000508	2	Decal "MODEL CODE", Red CA2800	
	4812118427	2	Decal "MODEL CODE", Red CA3500	
	4811000516	2	Decal "MODEL CODE", Red CA4000	
19	4700272372	1	Decal "HYDRAULIC OIL"	D
	4700792772	1	Decal "BIO HYDRAULIC OIL" PANOLIN	D
20	4811000345	1	Decal "ULTRA LOW SULFUR FUEL ONLY"	
21	4700903425	1	Decal "SAFETY MANUAL"	D
23	4811000344	2	Decal "LOW SULFUR"	
24		1	Product identification plate	
25	4700791273	1	Decal "Sound power level" 103 dB	D
29	4700393959	1	Decal "24V"	
30	4700624005	4	Blind rivet 3,2x6,1	C

- A) Used with all-weather wheel.
- B) Used with tractor wheel.
- C) Used with premium wheel.



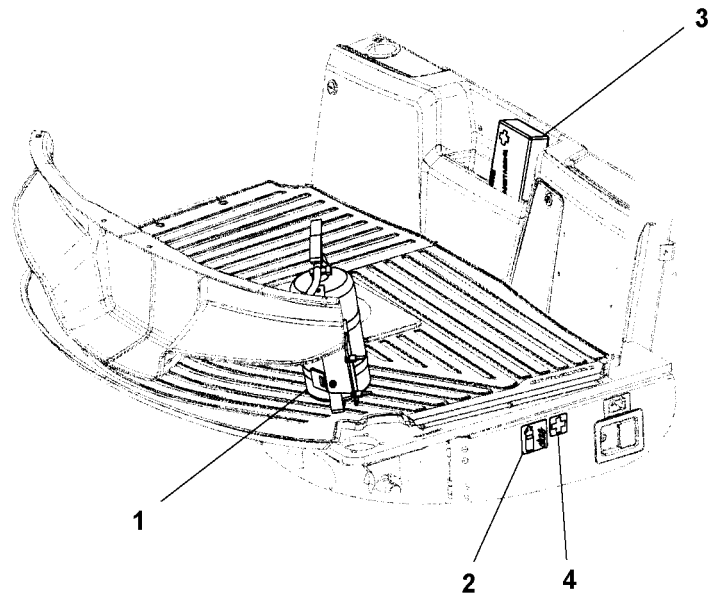
Decals

Item	Part No	Rem Qty	Description	Code
1	4700904068	1	Decal "DYNAPAC" L=1770 mm	
2	4700904094	1	Decal "DYNAPAC" L=670 mm	
3	4700903423	1	Decal "SAFETY"	D
4	4700903424	1	Decal "HOT SURFACE"	D

Optional equipment

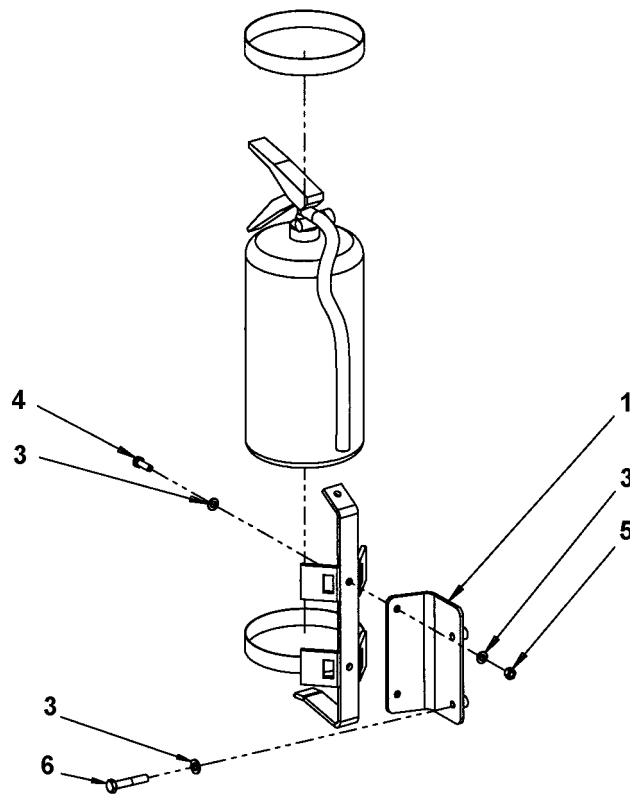
Item	Part No	Rem Qty	Description	Code
1		1	Fire extinguisher/First Aid Cushion (Page 520)	
2		1	Level sensor module, option (Page 524)	
3		1	SMV-sign (Page 526)	
4		1	Air conditioning (Page 528)	

Fire extinguisher/First Aid Cushion



Fire extinguisher/First Aid Cushion

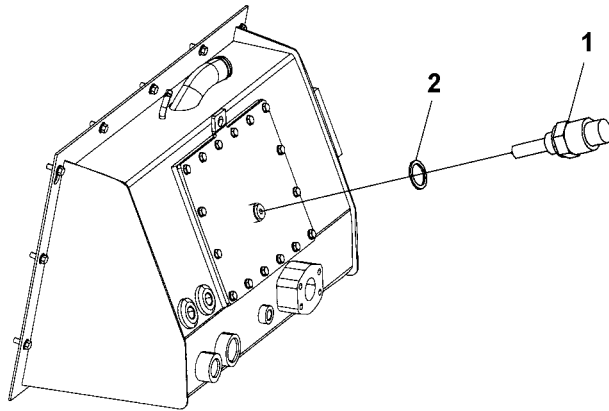
Item	Part No	Rem Qty	Description	Code
1		1	Fire extinguisher (Page 522)	
2	4700792634	1	. Decal fire extinguisher	D
3	4700394395	1	First aid cushion	D
4	4700902509	1	Decal	D



Fire extinguisher

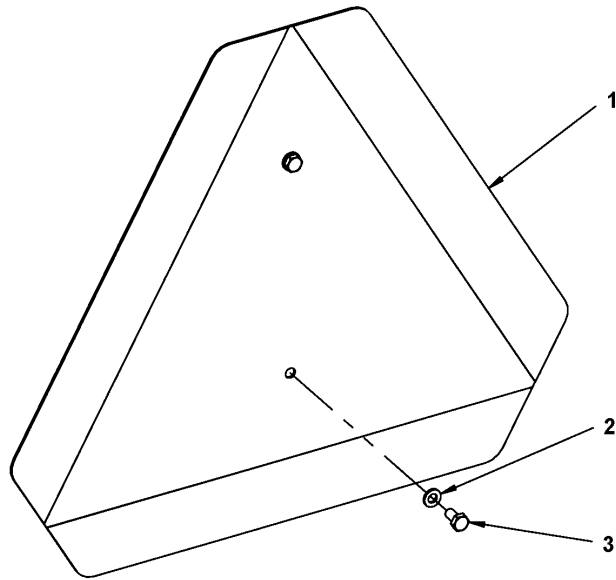
Item	Part No	Rem Qty	Description	Code
1	4812114804	1	Bracket	
3	4700904229	6	Steel plain washer 8,4x16x1,5	C
4	4700500021	2	Screw M8-1,25x25 8.8	C
5	4700570005	2	Nut M8	C
6	4700500024	2	Screw M8x45	D

Level sensor module, option



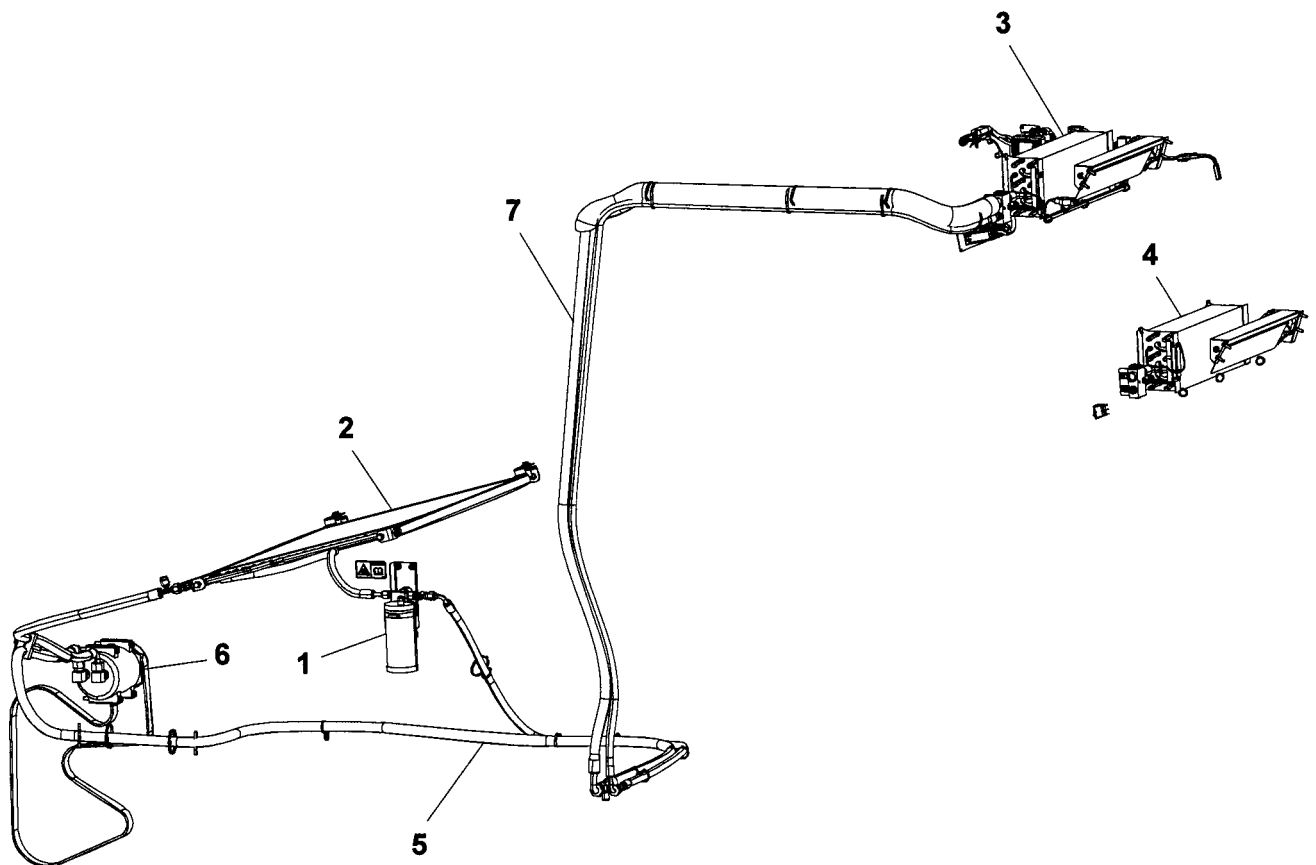
Level sensor module, option

Item	Part No	Rem Qty	Description	Code
1	4812112423	1	Level sensor	
2	4700330331	1	Washer 18,2x23,9x1,5	C



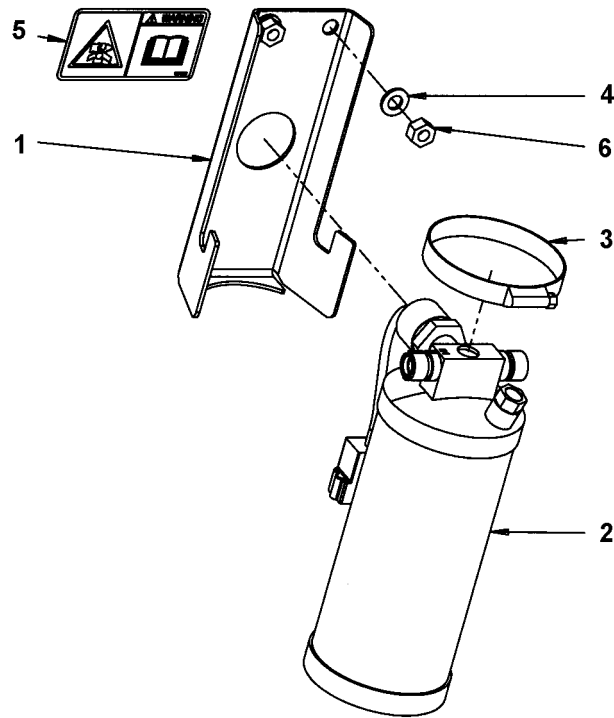
SMV-sign

Item	Part No	Rem Qty	Description	Code
1	4700476019	1	SMV-sign	D
2	4700904228	2	Washer 6,4x12x1,5	C
3	4700500012	2	Screw M6x12	C



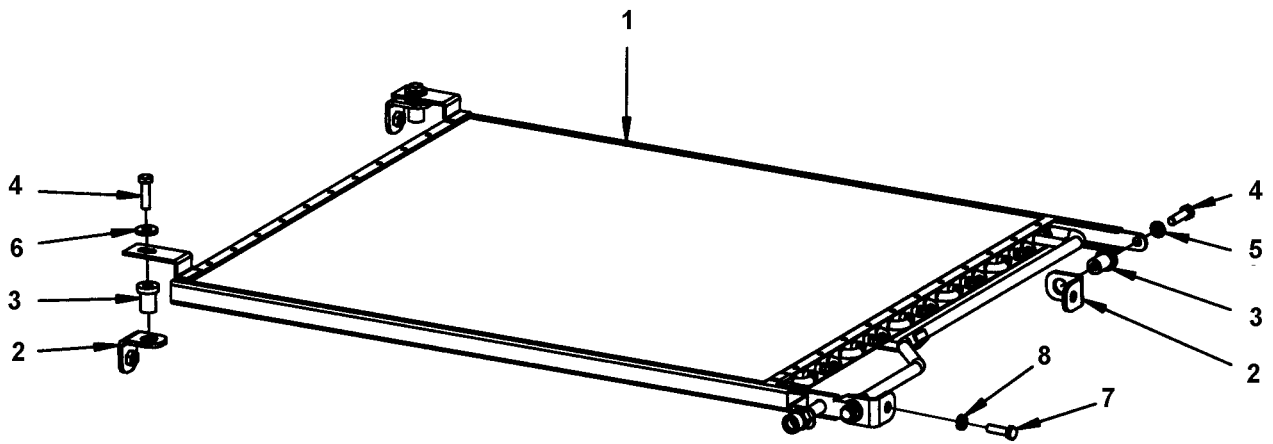
Air conditioning

Item	Part No	Rem Qty	Description	Code
1		1	Drying filter module (Page 530)	
2		1	Condensor assembly (Page 532)	
3		1	ACC module (Page 534)	
4		1	AC module (Page 538)	
5		1	Hose kit AC (Page 540)	
6		1	Compressor module (Page 542)	
7		1	Hose assy kit for AC (Page 544)	



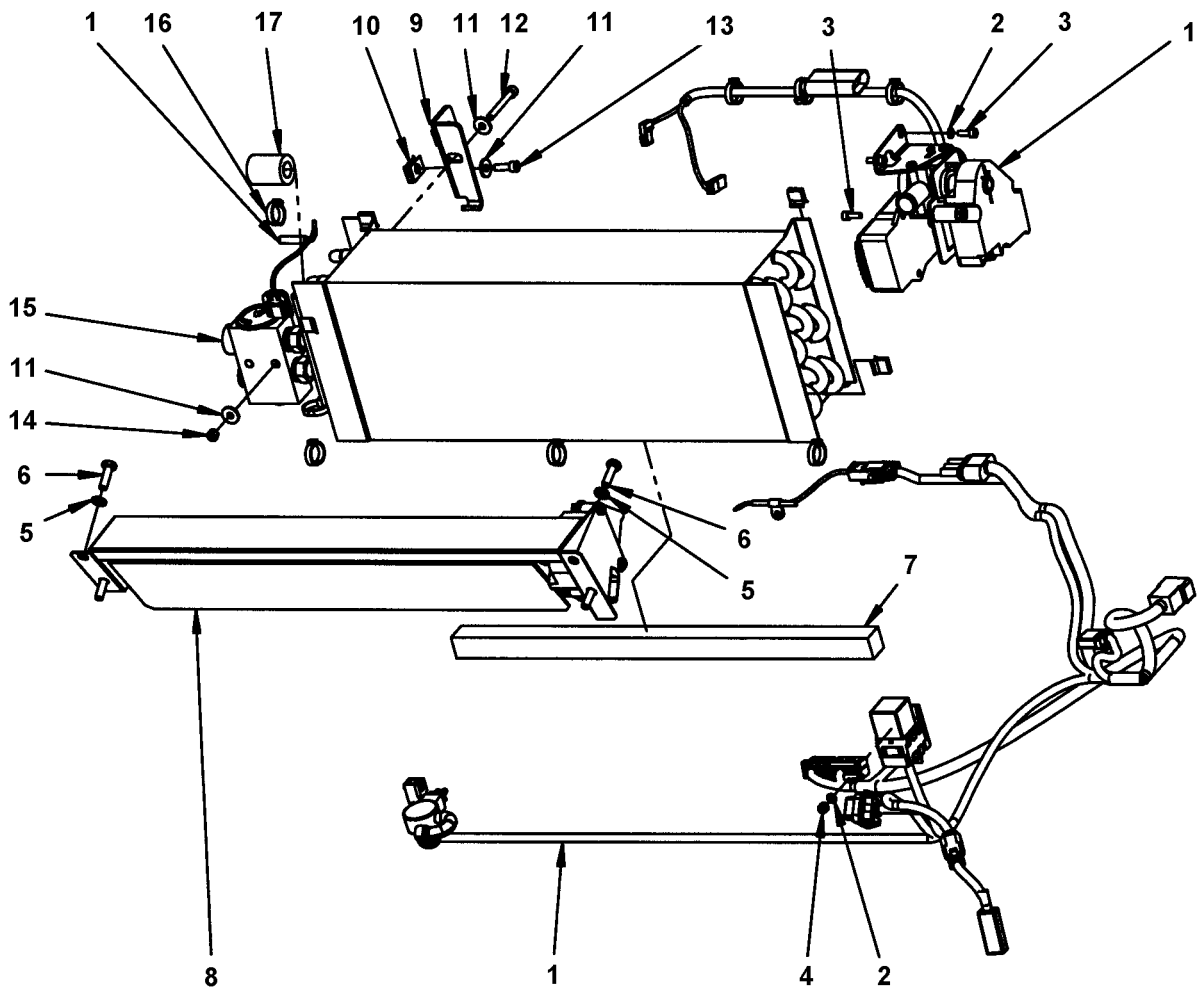
Drying filter module

Item	Part No	Rem Qty	Description	Code
1	4812111311	1	Bracket	
2	4812114257	1	Drying filter assy	
3	4700313022	1	Hose clamp	D
4	4700904229	2	Steel plain washer 8,4x16x1,5	C
5	4700904165	1	Safety decal Toxic gases	D
6	4700570005	2	Nut M8	C



Condensor assembly

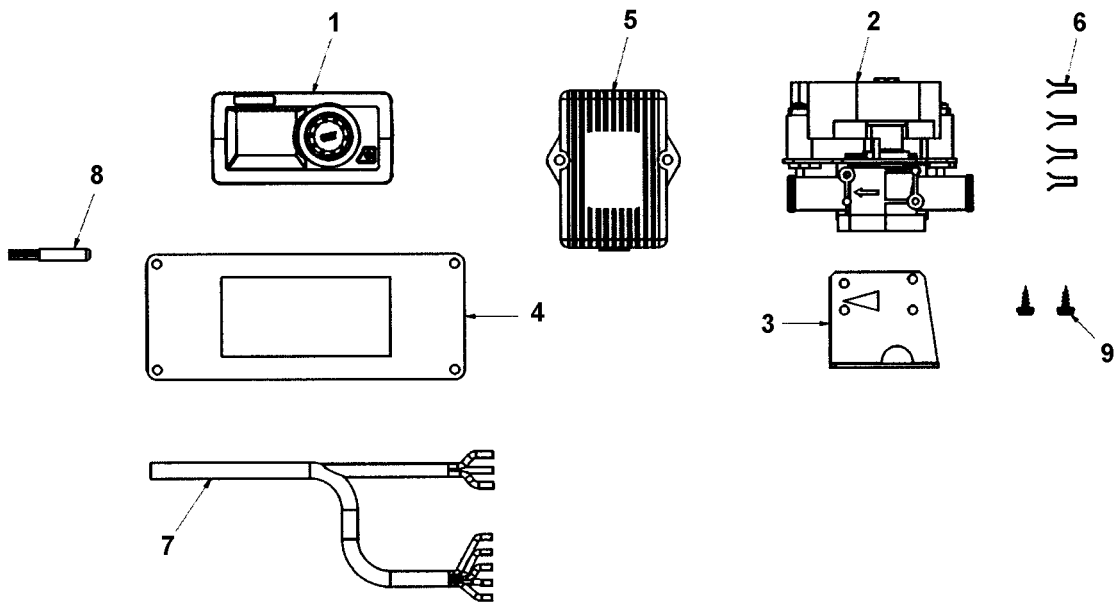
Item	Part No	Rem Qty	Description	Code
1	4812113032	1	Condensor	
2	4812113025	4	Bracket	
3	4812113177	4	Rubber nut	
4	4700500022	4	Screw M8x30H 8.8	C
5	4700904229	2	Steel plain washer 8,4x16x1,5	C
6	4700904640	2	Washer 8,4x22x3	C
7	4700500022	4	Screw M8x30H 8.8	C
8	4700904556	4	Washer 8,4x16x3,0	C



ACC module

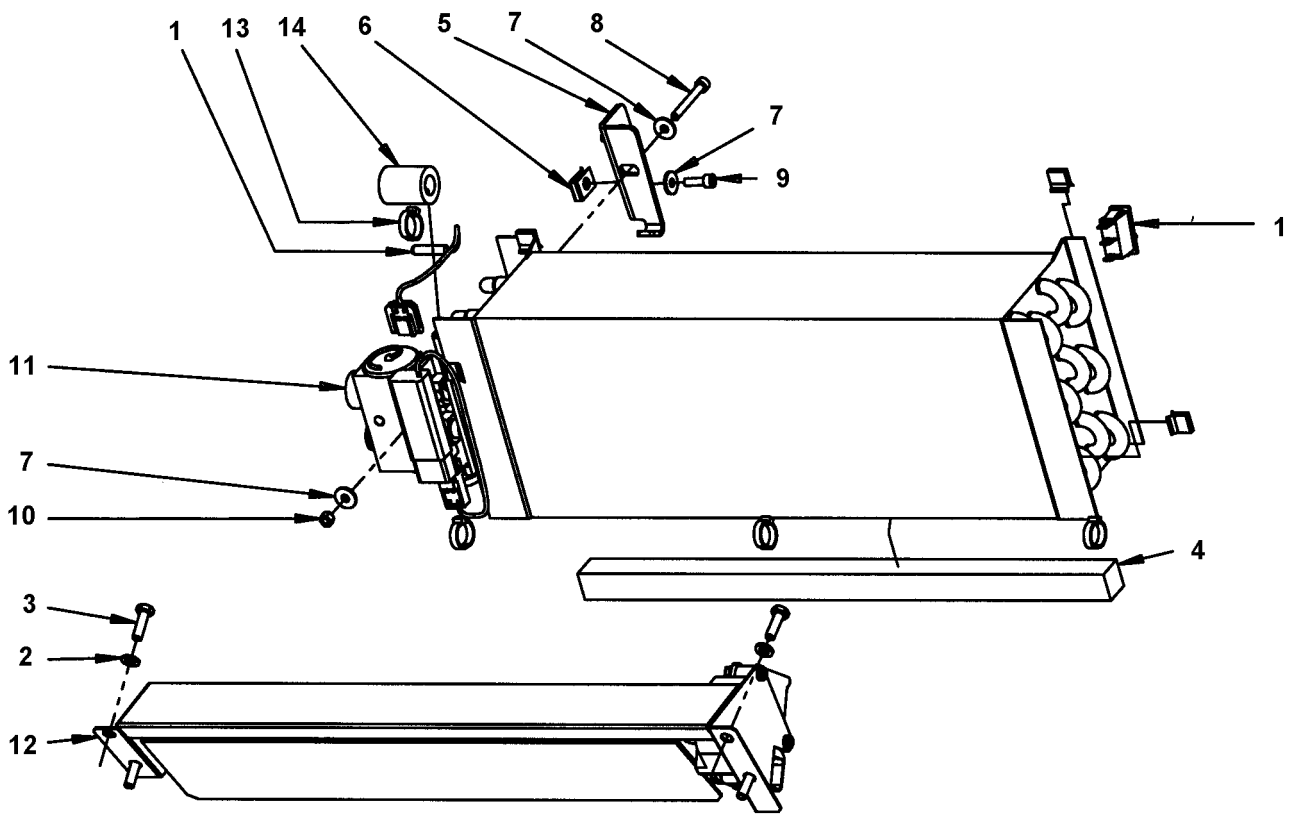
Item	Part No	Rem Qty	Description	Code
1	4812113624	1	ACC kit (Page 536)	
2	4700904698	3	Washer 4,3x8x0,8	C
3	4700508041	3	Screw M4x12H	D
4	4700923976	1	Nut	C
5	4700904228	4	Washer 6,4x12x1,5	C
6	4700500040	4	Screw M6-1x20 8,8	C
7	4700792718	1	Rubber strip	D
8	4812115013	1	Air intake assy	C
9	4812114311	1	Bracket	
10	4811000458	2	Speed nut	
11	4700601001	4	Washer	C
12	4700508099	1	Screw	
13	4700926537	2	Screw M5-0,8x16H 8,8	
14	4700570003	1	Nut M5	C
15	4812113623	1	Evaporator coil	
16	4700313041	10	Cable ties L=200 mm	B
17	4812117349	A 1XL	Cork tape	

A) L = 0.5m



ACC kit

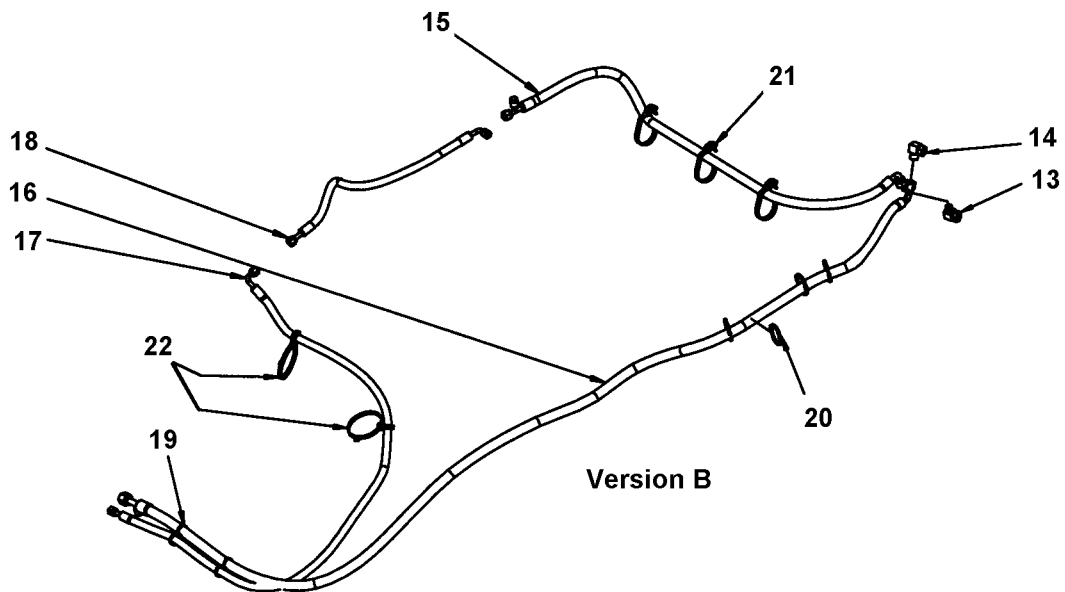
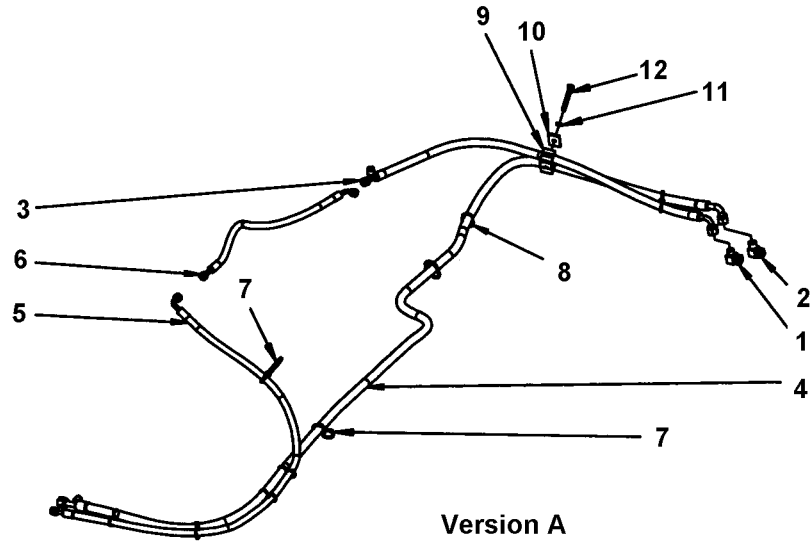
Item	Part No	Rem Qty	Description	Code
1	4812158289	1	Micro ECC	
2	4700383425	1	Electronic valve	D
3		1	Bracket	
4		1	Panel	
5	4812158290	1	Blower control	
6		4	Clip	
7	4812158291	1	Wiring harness	
8	4812158292	1	Deicing sensor	
9		2	Screw	



AC module

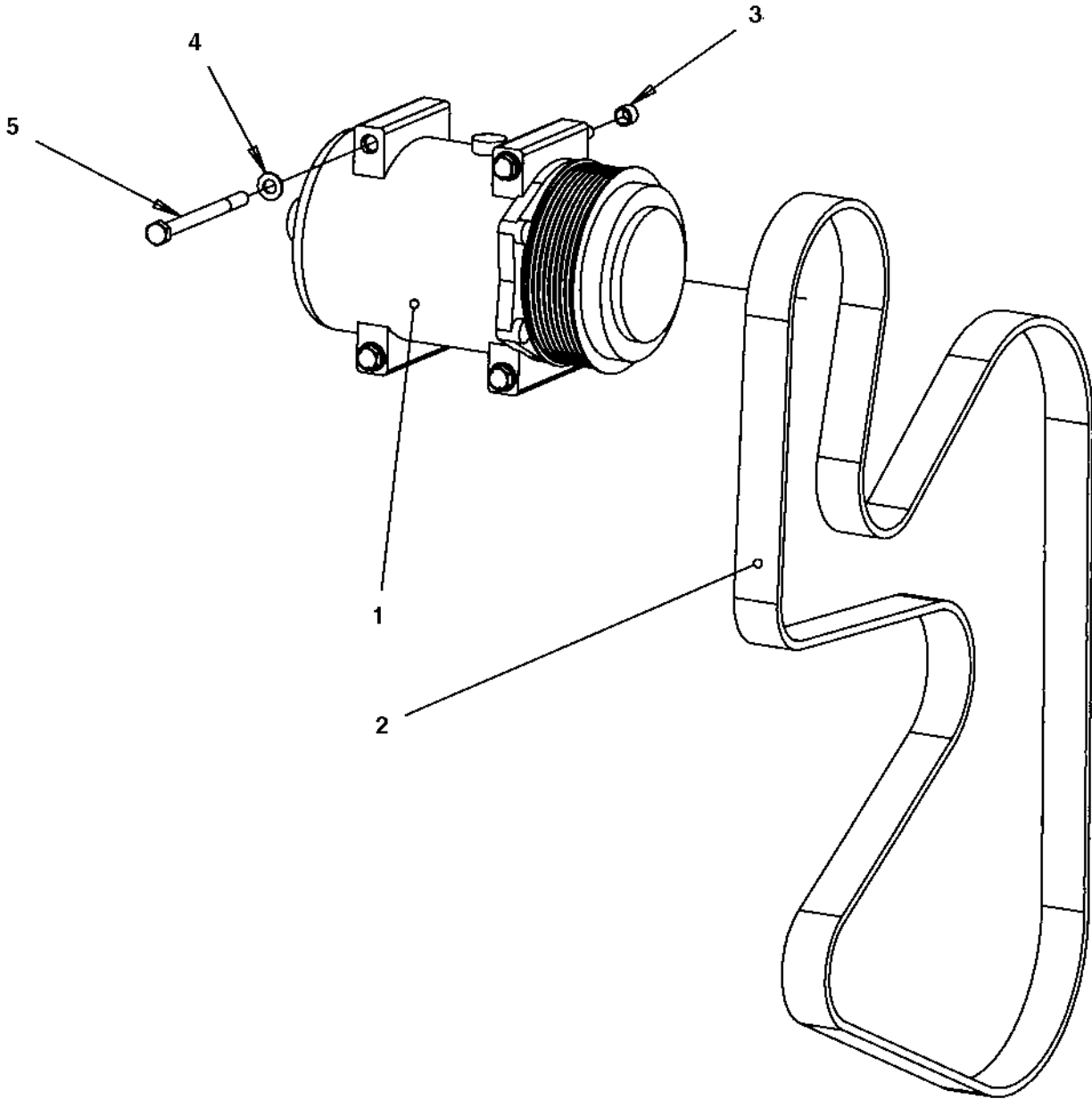
Item	Part No	Rem Qty	Description	Code
1	4812113622	1	Ac kit	
	4700950348	1	. Switch, air condition	
	4812158481	1	. Switch, flapper	
	4812158482	1	. Thermostat	
2	4700904228	4	Washer 6,4x12x1,5	C
3	4700500040	4	Screw M6-1x20 8,8	C
4	4700792718	1	Rubber strip	D
5	4812114311	1	Bracket	
6	4811000458	2	Speed nut	
7	4700601001	4	Washer	C
8	4700508099	1	Screw	
9	4700926537	2	Screw M5-0,8x16H 8,8	
10	4700570003	1	Nut M5	C
11	4812113623	1	Evaporator coil	
12	4812115013	1	Air intake assy	C
13	4700313041	10	Cable ties L=200 mm	B
14	4812117349	A 1XL	Cork tape	

A) L = 0.5m



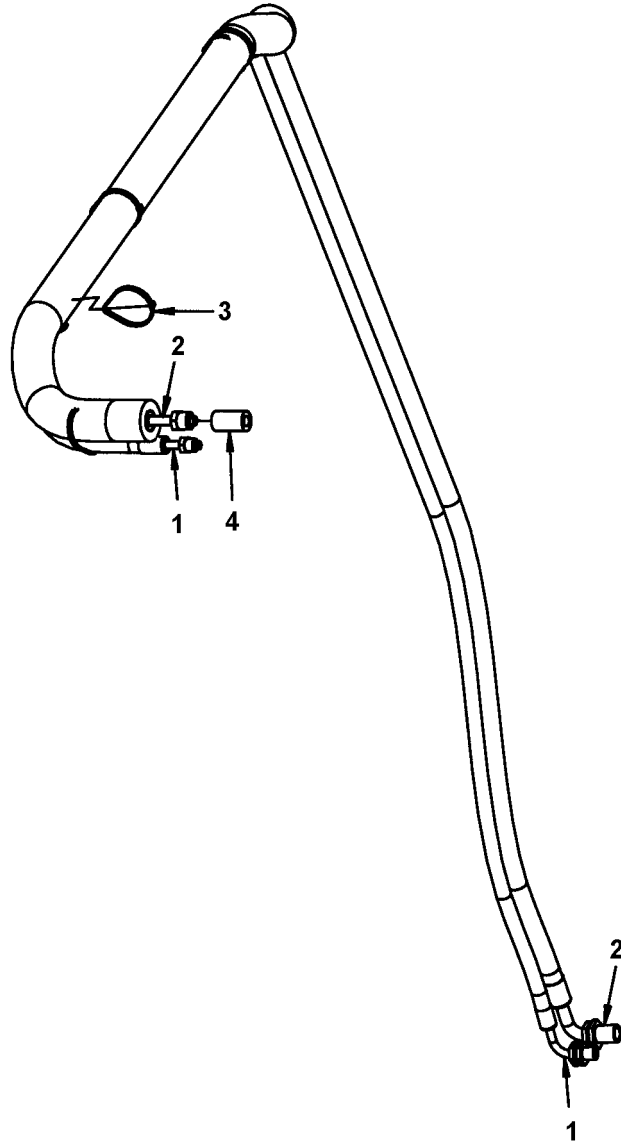
Hose kit AC

Item	Part No	Rem Qty	Description	Code
1	4700394705	1	Refrigerant fitting	
2	4700394706	1	Refrigerant fitting	
3	4812114123	1	Refrigerant hose	
4	4812114124	1	Refrigerant hose	
5	4812113491	1	Refrigerant hose	
6	4812113492	1	Refrigerant hose	
7	4700792686	N	Cable tie with holder	
8	4700313041	N	Cable ties L=200 mm	B
9	4700287295	1	Clamp	D
10	4700287294	1	Cover plate	
11	4700904229	1	Steel plain washer 8,4x16x1,5	C
12	4700500068	1	Screw M08x65	C
13	4700394705	1	Refrigerant fitting	
14	4700394706	1	Refrigerant fitting	
15	4812118215	1	Refrigerant hose	
16	4812118216	1	Refrigerant hose	
17	4812113491	1	Refrigerant hose	
18	4812113492	1	Refrigerant hose	
19	4700792686	2	Cable tie with holder	
20	4700313041	N	Cable ties L=200 mm	B
21	4812115836	3	Cable tie	
22	4812117248	2	Cable tie with holder	



Compressor module

Item	Part No	Rem Qty	Description	Code
1	4700391621	1	Compressor	
2	4700391622	1	Belt	
3	4700945314	2	Guide ring	
4	4700904229	4	Steel plain washer 8,4x16x1,5	C
5	4700500096	4	Screw	



Hose assy kit for AC

Item	Part No	Rem	Qty	Description	Code
1	4812114931		1	Refrigerant hose	
2	4812114932		1	Refrigerant hose	
3	4700792609		7	Cable ties	
4	4812117349	A	1XL	Cork tape	

A) L = 0.2m

NUMERICAL INDEX

Part Number	Page	Part Number	Page	Part Number	Page
0570702503	267	4700340863	103	4700383705	425
0570704101	265	4700343318	101,111,113,115	4700383844	53
4700116041	27,101,111,113	4700343744	105,107,109,111	4700383955	163
	115		113,115,117,119	4700384114	91
4700135015	39		121	4700384121	91
4700150008	71	4700343748	267	4700384584	425
4700151021	39,57	4700349682	91	4700385080	515
4700160043	211,219,243,251	4700349715	103	4700385599	493
4700160105	27,101	4700350009	477,485	4700386966	135
4700160132	185,195,231,261	4700355608	333	4700387545	503
4700160191	267	4700355797	363	4700387638	511
4700160231	313,323	4700355889	67	4700388446	265
4700160277	39	4700355983	515	4700388449	515
4700162004	135	4700357138	13,15,19,21,267	4700388737	493
4700162008	267	4700357488	61	4700389600	141
4700162017	105,107,109,111	4700358254	425	4700389857	57
	113,115,117,119	4700358881	67,503	4700390365	59
	121	4700359043	481	4700390539	39
4700162027	105,107,109,111	4700359125	481	4700390541	39
	113,115,117,119	4700359819	481	4700390542	39
	121	4700359916	477	4700390543	39
4700167009	39	4700359919	477	4700390561	489
4700167023	27,101,111,113	4700359920	477	4700390589	163
	115	4700359989	133,157	4700390860	343
4700202028	417,441,471	4700359998	413,427	4700390896	25,105,107,109
4700202057	57	4700372174	441		111,113,115,117
4700205112	127,441,443,511	4700372597	159		119,121
4700230384	127	4700372658	67	4700390900	515
4700230515	127	4700372672	477	4700390926	267
4700230516	127	4700372772	127	4700390963	489
4700232039	155,267	4700372964	477	4700391031	39
4700232041	37	4700372965	477	4700391163	477,479
4700232118	267	4700374059	267	4700391241	491
4700233304	155,267	4700374606	427	4700391299	137
4700272372	515	4700374799	79	4700391303	127
4700272373	515	4700374854	81	4700391396	493
4700283711	127	4700377507	447	4700391420	493
4700287294	127,511,541	4700377508	447	4700391566	39
4700287295	127,273,289,511	4700377518	489	4700391621	543
	541	4700377677	475	4700391622	543
4700313001	153,159,267	4700377742	37,63,65	4700392075	137
4700313002	153	4700377744	57	4700392316	509
4700313004	127,139,441,443	4700378712	141	4700392321	383
	511	4700379214	141	4700392450	357
4700313006	155	4700379480	127	4700392451	357
4700313007	127	4700379637	475	4700392550	39
4700313009	267	4700379718	477	4700392717	495
4700313010	139	4700379728	481	4700392719	495
4700313022	531	4700380018	105,107,109,111	4700392810	135
4700313023	437		113,115,117,119	4700392839	477
4700313033	149		121	4700392840	477
4700313041	355,357,371,375	4700380436	145	4700392930	493
	379,387,401,443	4700381413	159	4700392965	491
	449,493,511,535	4700381619	61	4700393094	495
	539,541	4700381943	507,509	4700393115	39
4700313068	355,367	4700381944	509	4700393218	39
4700313094	157	4700382383	85	4700393335	163
4700330170	153	4700382571	123	4700393496	491
4700330171	153	4700382572	123	4700393523	39
4700330331	267,525	4700382751	515	4700393525	413,427
4700330383	127	4700383024	137	4700393959	515
4700335607	331,337	4700383425	537	4700394275	371

NUMERICAL INDEX

Part Number	Page	Part Number	Page	Part Number	Page
4700394276	371	4700500035	397	4700508041	535
4700394395	521	4700500037	137	4700508048	265,317,325
4700394536	67	4700500040	81,87,135,159	4700508060	317,325
4700394542	373		273,335,339,373	4700508063	267
4700394705	541		491,535,539	4700508080	313,323
4700394706	541	4700500043	61	4700508092	269,315,487
4700395352	355,367	4700500046	291,317,325,331	4700508096	59,127
4700395383	481		337	4700508099	535,539
4700395447	477	4700500048	139,315,381	4700513012	57,149
4700395785	149,493	4700500051	93,127	4700513017	59
4700395816	127	4700500053	91,135,137,141	4700513027	399
4700395841	447		145,267,273,289	4700516051	477
4700395853	447		341,393,489,491	4700526010	493
4700395888	373	4700500056	133,157,413,427	4700532032	127
4700395947	503	4700500060	493	4700541702	371
4700396041	393	4700500067	509	4700570002	341
4700396043	391	4700500068	541	4700570003	347,535,539
4700396044	391	4700500070	323	4700570004	273,493
4700396047	391	4700500075	81,265,335,339	4700570005	57,81,137,331
4700396048	391	4700500079	391,397,441		337,341,379,523
4700396119	371	4700500082	91,105,107,109		531
4700396588	39		111,113,115,117	4700570006	477
4700396601	389		119,121,133	4700570007	81
4700396634	333	4700500090	285,287	4700570008	371
4700396635	333	4700500091	205	4700570015	123
4700396662	493	4700500093	211,219	4700570101	331,337
4700396670	503	4700500096	543	4700573008	481
4700397604	501	4700500102	43,45,313	4700582001	369
4700475064	71	4700500107	133	4700586001	365,393,401,493
4700476019	527	4700500115	495		501,503
4700500002	403	4700500123	51	4700586002	81,83,335,339
4700500003	391	4700500133	101		391,485,491,493
4700500004	419,455,469	4700500161	37,47,57,205,283		495
4700500006	393	4700500163	105,107,109,111	4700586003	63,65,81,155,287
4700500009	149		113,115,117,119		333,335,339,379
4700500010	365		121		477,495,507,509
4700500012	39,349,353,441	4700500189	239,383		511
	445,465,527	4700500191	205	4700586018	47,77,385
4700500013	37,155,267,343	4700500194	185,195,229,259	4700586021	133
	347,369,403,437		305	4700586022	123
4700500015	343,387	4700500207	123	4700588176	515
4700500019	127,141,209,217	4700500239	57	4700601001	365,401,419,455
	267,285,335,339	4700500240	487		469,535,539
	341,371,401	4700500270	53	4700601003	417,437,439
4700500021	77,127,131,133	4700500280	485	4700603001	145
	141,147,155,157	4700500284	37	4700603010	135,511
	275,279,287,355	4700500286	123	4700604005	287
	379,477,523	4700500502	83,143	4700615050	77,81
4700500022	81,183,195,209	4700500505	267,493	4700615061	77
	217,265,267,285	4700500509	77	4700624005	515
	409,483,507,533	4700502036	127	4700624018	67
4700500023	287	4700502053	103	4700629061	61
4700500024	147,157,509,523	4700508001	389	4700629064	37
4700500025	509	4700508002	511	4700630003	83
4700500026	371,401	4700508014	317,325	4700630008	481
4700500027	269	4700508017	493	4700635057	61
4700500028	37,69,183,209	4700508019	335,339,507,509	4700747282	153
	217	4700508023	341	4700791120	155,267
4700500029	145,273,299,485	4700508025	145,511	4700791156	105,107,109,111
4700500030	79,131,153,157	4700508026	397		113,115,117,119
	183,185,211,219	4700508027	485		121
NI 2 4700500031	57,77,87	4700508029	477	4700791171	465

NUMERICAL INDEX

Part Number	Page	Part Number	Page	Part Number	Page
4700791172	421	4700792310	335,339	4700901218	163
4700791175	163	4700792322	135	4700901225	341
4700791176	163	4700792336	183	4700901226	355
4700791182	437	4700792338	267	4700901227	341,345,355,371
4700791185	451	4700792339	285,287,315		405,451
4700791212	285,287	4700792354	363	4700901228	341,451
4700791213	305	4700792392	375	4700901327	263
4700791231	243,251,261,269	4700792394	39	4700901385	199
	317,325	4700792397	379	4700901386	199
4700791273	515	4700792398	359	4700901443	163
4700791304	393	4700792410	383	4700901444	163
4700791318	287	4700792414	493	4700901465	263
4700791396	37	4700792422	355	4700901688	393
4700791405	267	4700792441	153,331,335,337	4700901727	311
4700791409	269		339,341,343,355	4700901832	57,127
4700791414	229,241,249,259		359,367,391,397	4700901987	179
4700791421	501		443,449,497,499	4700902041	67,141
4700791431	127	4700792465	313,323	4700902166	37
4700791450	331,337	4700792500	289	4700902282	413
4700791453	397	4700792502	127	4700902284	59
4700791454	397	4700792505	451	4700902285	265,341
4700791460	137	4700792515	39	4700902286	127,139,183,209
4700791475	441	4700792519	355		217,239,265,273
4700791518	331,337	4700792520	355		289,303,321,383
4700791524	477,491	4700792522	153		489
4700791535	183	4700792527	497,499	4700902379	423
4700791572	497,499	4700792536	425	4700902509	521
4700791582	493	4700792537	341,359	4700902520	477
4700791588	493	4700792539	477	4700902804	493
4700791642	143	4700792547	153	4700902866	83
4700791666	441	4700792586	289	4700902930	245,257
4700791711	303,321	4700792589	425	4700902996	213,227,237,245
4700791712	303,321	4700792601	61,71		257
4700791723	493	4700792602	331,337	4700903290	413,427
4700791733	493	4700792609	357,545	4700903386	409
4700791739	493	4700792611	39,57	4700903422	515
4700791743	269	4700792634	521	4700903423	137,517
4700791799	289	4700792660	371	4700903424	517
4700791805	303,321	4700792667	379	4700903425	425,515
4700791807	273,289	4700792678	481	4700903431	277,281
4700791828	205	4700792686	541	4700903456	289
4700791830	283	4700792718	535,539	4700903459	515
4700791838	205,231	4700792769	331,337	4700903590	453
4700791840	205	4700792772	515	4700903615	67
4700791843	269	4700792776	351	4700903633	427
4700791846	229,259	4700792809	267	4700903640	335
4700791860	183,209,217	4700801631	53	4700903662	495
4700791966	451	4700900229	305	4700903670	441
4700792035	363	4700900430	195	4700903703	265
4700792065	511	4700900775	105,107,109,111	4700903714	159
4700792068	267		113,115,117,119	4700903732	511
4700792083	291		121	4700903741	341
4700792103	423	4700900776	25,105,107,109	4700903768	265
4700792119	83		111,113,115,117	4700903795	101
4700792186	391		119,121	4700903914	487
4700792210	345,375,397	4700900782	25,105,107,109	4700903917	477
4700792261	163		111,113,115,117	4700903918	477
4700792264	267		119,121	4700903923	81
4700792276	267	4700900994	291	4700904004	183,185,211,219
4700792295	39,267	4700901141	511		313,323
4700792299	269,287	4700901145	413,427	4700904005	231,243,251,261
4700792309	335,339,343,451	4700901157	313,323		305,317

NUMERICAL INDEX

Part Number	Page	Part Number	Page	Part Number	Page
4700904015	405	4700904558	43,45,49,53,133	4700923876	397
4700904024	405		313,323	4700923976	75,399,409,535
4700904037	331,337,395	4700904563	437	4700925208	37
4700904039	331,337	4700904570	351	4700925519	137
4700904068	515,517	4700904584	313,323	4700926215	57
4700904094	517	4700904586	317,325	4700926537	341,535,539
4700904165	531	4700904619	503	4700926781	179
4700904171	325	4700904623	289	4700927233	71
4700904206	145,149,465	4700904637	127,183,185,211	4700927410	413,427
4700904214	477		219,313,317,323	4700927411	37
4700904228	37,39,81,101,155		325	4700928347	497,499
	159,267,273,335	4700904638	231,243,251,261	4700928381	445
	339,343,347,349		267,305	4700928441	131
	353,369,373,387	4700904640	63,65,81,147,155	4700928467	343
	391,397,437,445		157,275,279,287	4700928784	361
	449,465,485,491		383,477,481,533	4700928791	231,243,251,261
	493,495,527,535	4700904653	503		305
	539	4700904698	75,341,343,399	4700929023	143
4700904229	127,131,133,135		403,409,493,535	4700929226	183,185,211,219
	137,141,145,147	4700904703	81,157,305,497		313,323
	157,183,195,209		499	4700929447	27,101,111,113
	217,265,267,269	4700904734	287		115
	273,275,279,285	4700904735	87,265,273,361	4700929455	363
	287,289,315,331		403	4700929587	423,441
	333,335,337,339	4700904766	265	4700929612	179
	341,355,371,379	4700904774	195,265,317,325	4700929675	173
	383,401,409,441	4700904793	241,249	4700935626	263
	477,481,483,485	4700904835	515	4700935633	263
	489,491,495,507	4700904870	515	4700937258	197
	509,511,523,531	4700904872	273,289	4700937264	193,203
	533,541,543	4700904895	515	4700937265	197
4700904230	37,47,61,69,77	4700904911	349	4700937283	263
	79,87,139,183	4700904985	153,159,267	4700937620	487
	205,209,217,269	4700904986	153	4700937621	487
	273,283,315,381	4700904988	155	4700937892	487
	385,487	4700908229	515	4700938622	447
4700904231	39,81,91,93,101	4700908505	417,453	4700938984	177
	127,137,157,185	4700908506	453	4700939009	179
	195,229,259,317	4700908507	453	4700939014	179
	325,331,337,397	4700908561	437	4700939082	9,11,13,15,19,21
4700904232	51,91,105,107	4700908564	437		129
	109,111,113,115	4700908774	309	4700939273	179
	117,119,121,211	4700909129	423	4700939348	179
	219	4700909525	213,227,237,245	4700939350	177,179
4700904233	37,91,123,163		257	4700939693	441
	413,427	4700909609	177	4700940451	493
4700904260	91	4700910162	269	4700940533	129
4700904280	163	4700921050	139	4700945314	543
4700904281	149,341,347,365	4700921057	155	4700945622	489
	391,493,501,503	4700921078	387	4700945632	479
4700904312	343	4700921080	357	4700945633	479
4700904346	267	4700921090	267	4700945634	479
4700904352	139	4700921723	59	4700945635	479
4700904353	163	4700922552	19,21,105,107	4700945636	479
4700904496	305		109,111,113,115	4700945637	479
4700904504	347,451		117,119,121	4700945657	25
4700904556	91,135,137,145	4700922944	155	4700945661	489
	267,285,335,339	4700923008	139,267,273	4700945757	245,257
	509,533	4700923087	263	4700945760	129
4700904557	57,79,153,183	4700923384	231,243,251,261	4700945887	129
	209,217,421,477		305	4700947679	481
	485	4700923859	397	4700947680	417,439

NUMERICAL INDEX

Part Number	Page	Part Number	Page	Part Number	Page
4700947690	137	4811000508	515	4812112068	401
4700947698	91	4811000516	515	4812112070	341
4700947699	91	4811000529	401	4812112071	391
4700947706	91	4811000531	511	4812112072	397
4700950140	129	4812030096	13,19,103	4812112106	279,281
4700950348	539	4812030117	13,19	4812112107	275,277
4700960067	405	4812030756	7,19	4812112162	37
4700989151	267	4812034895	129	4812112170	305,307
4811000074	185,195,295	4812040815	129	4812112174	313
4811000077	379	4812041531	9,11,13,15,19,21	4812112180	323
4811000086	241,249		129	4812112192	325,327
4811000089	153	4812041536	129	4812112198	91,97,99
4811000109	49	4812110229	259	4812112200	211,213
4811000150	127	4812110352	509	4812112202	219,221
4811000151	127	4812110361	299,301	4812112207	261,263
4811000163	355	4812110367	507	4812112208	231,233
4811000176	331,337	4812110560	341	4812112210	251,253
4811000178	331	4812110642	91	4812112211	243,245
4811000197	265	4812110644	91	4812112215	195,197
4811000198	265	4812110768	137	4812112216	185,187
4811000199	265	4812110769	137	4812112227	387
4811000200	283	4812110770	135	4812112229	387
4811000201	283	4812110772	135	4812112231	387
4811000202	267	4812110843	137	4812112238	269,271
4811000203	283	4812110884	355	4812112260	315
4811000204	283	4812110885	485	4812112262	7,13,15,19,21,315
4811000205	283	4812110886	493	4812112268	415,429,467
4811000206	289	4812110891	483	4812112278	413,415
4811000207	289	4812110901	493	4812112290	295
4811000209	265	4812110927	317,319	4812112301	427,429
4811000212	303,321	4812110930	137	4812112302	427,467
4811000214	265	4812110945	137	4812112304	183,209,217
4811000228	229,241,249,259	4812111010	57	4812112306	183,209,217
4811000229	229,241,249	4812111035	275,279	4812112325	379
4811000230	229,241,249,259	4812111046	29,31,91	4812112329	267
4811000261	283	4812111092	47	4812112341	283
4811000263	283	4812111103	43,47,49	4812112343	151
4811000265	505	4812111122	117,119,121	4812112344	151
4811000268	505	4812111216	491	4812112355	127
4811000269	505	4812111241	395	4812112361	267
4811000292	401	4812111248	359	4812112374	355
4811000310	241,249	4812111264	137	4812112393	163
4811000316	391	4812111268	387	4812112402	79
4811000344	515	4812111294	485	4812112403	83
4811000345	515	4812111311	531	4812112404	81
4811000395	377	4812111326	381	4812112405	85
4811000402	265	4812111768	285	4812112413	101,111,113,115
4811000403	265	4812111769	287	4812112417	401
4811000407	297	4812111770	285	4812112419	387,401
4811000408	297	4812111771	285	4812112423	525
4811000409	297	4812111780	493	4812112435	163
4811000410	303,321	4812111979	493	4812112439	57
4811000411	265	4812111981	335,339	4812112455	105,107,109,111
4811000412	303,321	4812112000	335,339		113,115
4811000416	209,217	4812112015	127	4812112460	383
4811000417	313,323	4812112017	345	4812112465	91
4811000429	355	4812112058	59	4812112479	157
4811000443	155	4812112059	59	4812112530	265
4811000458	445,535,539	4812112062	387	4812112555	265,287
4811000462	87	4812112065	341	4812112556	267
4811000481	137,157	4812112066	341	4812112559	283
4811000504	515	4812112067	341	4812112560	305

NUMERICAL INDEX

Part Number	Page	Part Number	Page	Part Number	Page
4812112561	305	4812113195	139	4812114172	485
4812112639	151	4812113213	91	4812114179	37
4812112640	399	4812113214	91	4812114189	317,325
4812112641	399	4812113215	317	4812114194	505
4812112642	399	4812113224	91	4812114205	267
4812112647	151	4812113237	273	4812114212	145,511
4812112648	267	4812113238	375	4812114213	493
4812112655	149	4812113258	31,91	4812114214	493
4812112656	149	4812113266	91,95	4812114223	103
4812112686	347	4812113281	91	4812114230	133
4812112691	347	4812113283	91	4812114232	133
4812112729	149	4812113338	273	4812114233	133
4812112736	87	4812113341	163,173	4812114257	531
4812112747	107,113,119	4812113344	163,165	4812114270	57
4812112761	151	4812113476	101	4812114274	105,111,117
4812112764	61	4812113478	299,485	4812114280	135
4812112770	39	4812113483	129	4812114284	135
4812112774	383	4812113484	129	4812114311	535,539
4812112776	151	4812113485	129	4812114318	81
4812112777	151	4812113491	541	4812114329	109,115,121
4812112784	105,107,109,111 113,115,117,119 121	4812113492	541	4812114340	91
4812112792	399	4812113505	37	4812114344	29,31,91
4812112793	355	4812113506	37	4812114345	91
4812112834	75	4812113513	37	4812114346	91
4812112836	403	4812113569	183,209,217	4812114363	81,83
4812112837	403	4812113572	137	4812114382	123
4812112838	403	4812113573	141	4812114396	133
4812112843	83	4812113607	37	4812114424	155
4812112845	81	4812113621	325	4812114426	341
4812112846	81	4812113622	539	4812114434	269
4812112863	145	4812113623	535,539	4812114460	341
4812112864	145	4812113624	535,537	4812114465	137
4812112884	83	4812113633	317,325	4812114492	285
4812112898	37	4812113640	151	4812114514	303,321
4812112916	355	4812113641	151	4812114515	303,321
4812112917	401	4812113650	137	4812114516	303,321
4812112924	365	4812113687	205,207	4812114517	303,321
4812112950	87	4812113699	91	4812114518	303,321
4812112951	87	4812113708	137	4812114519	303,321
4812112952	87	4812113786	495	4812114563	419,469
4812113025	533	4812113826	291,293	4812114564	419,455,469
4812113032	533	4812113832	103	4812114565	419,455,469
4812113058	377	4812113853	91	4812114566	419,455,469
4812113075	91	4812113875	493	4812114567	419,445,455,457
4812113117	355	4812113878	137		465,469,471
4812113118	355	4812113879	137	4812114568	415,467
4812113123	399	4812113885	37	4812114569	421
4812113131	39	4812113903	101	4812114570	457
4812113132	37,39	4812113904	57	4812114571	457
4812113133	39	4812113904	57	4812114571	457
4812113135	39	4812113941	273,303,321	4812114572	457,471
4812113137	39	4812113963	183,209,217	4812114573	455
4812113140	355	4812113971	63	4812114574	455
4812113141	355	4812113972	65	4812114574	455
4812113148	91	4812113983	289	4812114575	455
4812113158	377	4812113999	157	4812114576	455
4812113160	377	4812114098	159	4812114577	463
4812113167	371	4812114108	205	4812114578	463
4812113177	533	4812114123	541	4812114579	463
4812113181	155	4812114124	541	4812114580	463
		4812114146	377	4812114581	463
		4812114150	139	4812114582	465
		4812114156	377	4812114583	465
				4812114584	465

NUMERICAL INDEX

Part Number	Page	Part Number	Page	Part Number	Page
4812114585	465	4812114909	149	4812115218	433
4812114586	431	4812114913	151	4812115219	435
4812114587	431	4812114931	545	4812115220	435
4812114588	431	4812114932	545	4812115223	435
4812114593	433	4812114933	163	4812115224	461
4812114598	437	4812114934	163	4812115225	435
4812114599	437	4812114935	149	4812115226	435
4812114600	437	4812114949	149	4812115228	441
4812114601	437	4812114984	391	4812115229	441
4812114602	437	4812115010	81	4812115230	441
4812114603	437	4812115013	535,539	4812115231	77
4812114604	437	4812115019	511	4812115232	77
4812114605	437	4812115020	383	4812115233	77
4812114606	437	4812115022	77	4812115234	77
4812114607	437	4812115051	205,211,219,305	4812115332	157
4812114608	437	4812115063	295	4812115333	157
4812114609	437	4812115064	265,295	4812115334	157
4812114610	437	4812115065	295	4812115335	157
4812114611	437	4812115093	371	4812115387	413,427
4812114612	437	4812115162	437	4812115463	287
4812114613	437	4812115164	417,439,441	4812115464	287
4812114619	343	4812115165	439	4812115481	141
4812114623	239	4812115166	417,439	4812115487	141
4812114652	239	4812115167	443	4812115488	141
4812114655	343	4812115168	443	4812115508	53
4812114656	355	4812115169	443	4812115516	75
4812114670	209,217	4812115170	417,439	4812115539	139
4812114671	209,217	4812115171	417,439	4812115544	135
4812114672	209,217	4812115172	443	4812115547	135
4812114673	209,217	4812115175	445	4812115548	135
4812114674	183	4812115178	445	4812115549	135
4812114675	183	4812115179	445	4812115580	145
4812114676	183	4812115180	445	4812115581	157
4812114677	183	4812115181	449	4812115600	157
4812114678	183	4812115182	449	4812115673	49
4812114679	183	4812115183	449	4812115707	387,401
4812114680	183	4812115184	451	4812115722	77
4812114684	183,209,217	4812115185	451	4812115723	77
4812114685	183,209,217	4812115186	423,441	4812115745	59
4812114686	183,209,217	4812115187	451	4812115770	159
4812114690	183,209,217	4812115188	461	4812115778	43,47
4812114691	183,209,217	4812115189	461	4812115810	407
4812114692	183,209,217	4812115190	461	4812115832	283
4812114699	229,241,249	4812115191	461	4812115835	159
4812114700	259	4812115192	473	4812115836	159,541
4812114720	385	4812115193	417	4812115857	127
4812114756	67	4812115194	417	4812115858	127
4812114759	71	4812115195	417	4812115902	145
4812114760	71	4812115196	417	4812115908	157
4812114761	71	4812115197	459	4812115911	331,337
4812114801	61	4812115198	459	4812115912	331,337
4812114803	493	4812115199	461	4812115917	379
4812114804	523	4812115200	433,435	4812115921	397
4812114813	149	4812115202	431,433	4812115965	305
4812114814	75	4812115203	433	4812116023	101
4812114827	83	4812115204	433	4812116029	91
4812114828	83	4812115205	433	4812116039	163
4812114829	83	4812115206	433	4812116043	91
4812114830	83	4812115207	433	4812116107	139
4812114831	83	4812115214	433	4812116181	397
4812114833	47	4812115216	433	4812116183	91
4812114873	355	4812115217	433	4812116192	441

NUMERICAL INDEX

Part Number	Page	Part Number	Page	Part Number	Page
4812116193	441	4812117473	83	4812157058	213,227,237
4812116194	441	4812117490	493	4812157059	213,227,237
4812116195	441	4812117602	135	4812157060	215,225,235,247
4812116197	441	4812117702	265		255
4812116198	441	4812117732	265	4812157061	215,225,235,247
4812116199	433	4812117742	135		255
4812116201	441	4812117839	75	4812157062	215,225,235,247
4812116284	75	4812117915	183,209,217		255
4812116289	487	4812117922	497	4812157063	215,225,235,247
4812116308	77	4812117923	499		255
4812116342	157	4812117925	497,499	4812157064	213,227
4812116346	409	4812117943	75	4812157065	223,255
4812116354	409	4812117964	507	4812157066	223
4812116357	487	4812118062	53	4812157067	223
4812116362	337	4812118127	135	4812157068	223
4812116367	409	4812118128	135	4812157069	223
4812116370	367	4812118154	331,337	4812157070	223,255
4812116587	409	4812118166	157	4812157071	223,255
4812116588	409	4812118167	157	4812157072	223,255
4812116611	369	4812118168	157	4812157073	227,257
4812116612	369	4812118179	141	4812157074	235,245
4812116617	53	4812118198	127	4812157075	235,245
4812116622	383	4812118203	131	4812157076	245
4812116645	267	4812118214	275,279	4812157077	245
4812116781	313,323	4812118215	541	4812157078	245,257
4812116792	83	4812118216	541	4812157079	245,257
4812116793	83	4812118245	127	4812157080	255
4812116799	379	4812118287	133	4812157170	191,201
4812116820	149	4812118338	133	4812157184	191,201
4812116834	149	4812118385	337	4812157185	191,201
4812116836	149	4812118427	515	4812157275	23,27
4812116848	381	4812118432	133	4812157358	175
4812116857	183,209,217	4812118433	141	4812157359	175
4812116861	335,339	4812118467	331,337	4812157361	175
4812116862	75	4812118624	403	4812157369	311
4812116867	413	4812118625	401	4812157370	311
4812116877	339	4812118641	403	4812157371	255,311
4812116884	413	4812118650	315	4812157372	311
4812116972	337	4812118697	493	4812157373	311
4812116986	505	4812118751	331,337	4812157374	311
4812116993	75	4812118752	331	4812157376	311
4812116994	157	4812118754	493	4812157383	309
4812116996	157	4812156170	29,31	4812157460	191,201
4812117000	143	4812156456	7,19	4812157461	177
4812117015	183,209,217	4812156777	381	4812157462	175
4812117106	63,65	4812156796	179	4812157463	179
4812117108	351	4812156887	173	4812157464	179
4812117149	353	4812156954	177	4812157465	177
4812117165	131	4812156958	177	4812157466	177
4812117166	131	4812156993	5,7,17	4812157469	175
4812117248	511,541	4812156997	213	4812157554	293
4812117297	291	4812156998	213	4812157654	271
4812117324	303,321	4812156999	213,223,235,245	4812157655	271
4812117325	209,217		255	4812157681	271
4812117326	209,217	4812157051	213,235,245	4812157682	271
4812117349	535,539,545	4812157052	213,235,245	4812157683	271
4812117395	149	4812157053	213,235,245	4812157684	271
4812117397	153	4812157054	213	4812157685	271
4812117436	265	4812157055	213	4812157686	271
4812117448	265	4812157056	213,227	4812157687	271
4812117449	265	4812157057	213,227,237,245	4812157688	271
4812117451	265		257	4812157758	293

NUMERICAL INDEX

Part Number	Page	Part Number	Page	Part Number	Page
4812157759	293	4812158360	309	9106230330	19
4812157760	293	4812158361	309	D902899008	309
4812157770	271	4812158362	307	D966534208	187
4812157771	271	4812158364	311		
4812157772	271	4812158367	487		
4812157773	271	4812158387	99		
4812157779	33	4812158388	99		
4812157780	33	4812158389	99		
4812157781	293	4812158390	97		
4812158064	129	4812158391	97		
4812158065	129	4812158392	97		
4812158077	189	4812158393	97		
4812158085	91,117	4812158394	99		
4812158086	91,119	4812158395	319,327		
4812158088	91,121	4812158399	311		
4812158090	91,105	4812158453	263		
4812158091	91,107	4812158454	263		
4812158093	91,109	4812158455	263		
4812158095	91,111	4812158456	263		
4812158096	91,113	4812158457	301		
4812158098	91,115	4812158465	19,21,129		
4812158153	245,253	4812158466	165		
4812158154	213,221	4812158467	165		
4812158163	431	4812158468	165		
4812158164	431	4812158469	165		
4812158165	431	4812158470	167		
4812158168	189	4812158471	167		
4812158169	191	4812158472	167		
4812158170	187	4812158473	167		
4812158171	189	4812158474	167		
4812158172	191	4812158475	167		
4812158173	187	4812158476	171		
4812158187	9,11,13,15,19,21	4812158477	171		
	129	4812158478	171		
4812158189	129	4812158479	171		
4812158190	9,11,13,15,19,21	4812158480	171		
	143	4812158481	539		
4812158191	13,15,19,21,143	4812158482	539		
4812158192	143	4812158483	207		
4812158195	129	4812158484	207		
4812158265	255	4812158485	441		
4812158266	255	4812158580	23,29		
4812158270	235	4812158581	23,31		
4812158271	235	4812158657	201		
4812158272	237	4812158687	5,9,17		
4812158273	233	4812158688	5,11		
4812158274	237	4812158689	5,13,17		
4812158289	537	4812158690	5,15		
4812158290	537	4812158691	5,17		
4812158291	537	4812158692	5,19		
4812158292	537	4812158693	5,21		
4812158297	311	4812158766	197		
4812158298	311	4812158777	95		
4812158351	311	4812158778	95		
4812158352	309	4812158779	95		
4812158353	309	4812158780	95		
4812158354	311	4812158781	95		
4812158355	311	4812158782	95		
4812158356	309	4812158783	95		
4812158357	309	4812158859	461		
4812158358	309	4812158860	461		
4812158359	309	5580020624	9,13,19		

