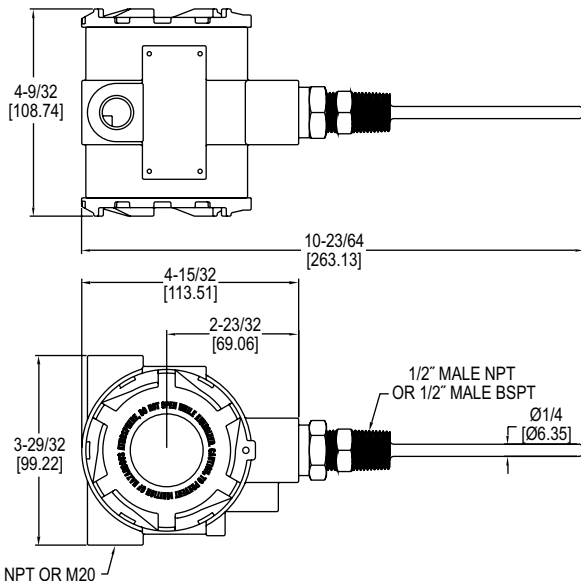




# Series TTE Explosion-Proof RTD Temperature Transmitter

## Specifications - Installation and Operating Instructions



2X 1/2" FEMALE NPT OR M20

The **Series TTE Explosion-Proof RTD Temperature Transmitter** is the ideal product for hazardous temperature measurement applications. The TTE series has seven pre-programmed temperature ranges that are selectable via an internal dip switch. For those applications that need a custom range, the transmitter can be easily configured for any range between -30 to 250°F with a minimum span of 40°F. The span and zero can be quickly adjusted with a simple push button design. This unit has optional listings of FM for use in Class I, Division 1, Groups B, C and D, Class II, Division 1, Groups E, F and G and Class III atmospheres or ATEX (Directive 2014/34/EU) for **CE** 2813 II 2 G Ex db IIC T6...T4 Gb (-20°C ≤ Ta ≤ + 70°C), **CE** 2813 II 1 D Ex ta IIIC T111°C Da (-20°C ≤ Ta ≤ + 70°C) and IECEx for Ex db IIC T6...T4 Gb (-20°C ≤ Ta ≤ + 70°C), Ex ta IIIC T111°C Da (-20°C ≤ Ta ≤ + 70°C). The compact housing allows for the transmitter to be mounted in virtually any application.

The Series TTE is ideally suited for refrigeration, building automation, commercial hot water heaters and boilers, and water chillers applications.

MODEL CHART					Explosion-proof RTD temperature transmitter, FM rated, 4" probe, with LCD display
Example	TTE	1	04	W	
Series	TTE				Explosion-proof RTD temperature transmitter
Agency		1			FM*
Probe Length		2			ATEX/IECEX/UKCA Ex flameproof
		02			2" probe
		04			4" probe
		06			6" probe
		09			9" probe
		12			12" probe
	15			15" probe	
	18			18" probe	
Construction				W	Well probe
Options					Blank
					No LCD display
					BSPT
					1/2 male BSPT process connection
					C5
					C5-M housing paint specification
					LCD
					LCD display
					M20
					Female M20 thread electrical connection
*Options that do not have ATEX, IECEx or UKCA Ex.					
Attention: Units without the "2" suffix following "TTE" are not directive 2014/34/EU (ATEX) compliant. These units are not intended for use in potentially hazardous atmospheres in the EU. These units may be CE marked for other directives of the EU.					

SPECIFICATIONS	
<b>Temperature Sensor:</b>	Pt1000, 0.00385 DIN.
<b>Output Temperature Ranges:</b>	User selectable – any range between -30 to 250°F with a minimum span of 40°F.
<b>Temperature Limits:</b>	Ambient: -4 to 158°F (-20 to 70°C); Process: -30 to 250°F (-34.4 to 120°C).
<b>Accuracy:</b>	Transmitter ±0.1% FS; Probe ±0.3% FS.
<b>Thermal Drift Effects:</b>	±0.02%/°C max.
<b>Response Time:</b>	250 ms.
<b>Wetted Materials:</b>	316 SS.
<b>Process Connection:</b>	1/2" male NPT or 1/2 male BSPT.
<b>Conduit Connection:</b>	1/2" female NPT or M20.
<b>Probe Length:</b>	2" to 18" (depending on model).
<b>Pressure Limits:</b>	2000 psi.
<b>Power Requirements:</b>	10-35 VDC.
<b>Output Signal:</b>	4-20 mA (2-wire loop powered).
<b>Optional Display:</b>	2 lines X 8 character LCD.
<b>Enclosure Rating:</b>	Weatherproof and explosion-proof. Listed with FM for class I, division 1, groups B, C and D, and dust-ignitionproof for class II, division 1, groups E, F and G and class III atmospheres.
<b>ATEX Certified for:</b>	<b>CE</b> 2813  II 2 G Ex db IIC T6...T4 Gb / II 1 D Ex ta IIIC T111°C Da, T6 process temp ≤ 80°C, T5 process temp ≤ 95°C, T4 process temp ≤ 120°C. EU-type certificate: EMT17ATEX0021X; ATEX standard: EN IEC 60079-0, EN 60079-1, EN 60079-31.
<b>IECEX Certified for:</b>	Ex db IIC T6...T4 Gb / Ex ta IIIC T111°C Da, T6 process temp ≤ 80°C, T5 process temp ≤ 95°C, T4 process temp ≤ 120°C. IECEx certificate of conformity: IECEx EMT 17.0007X. IECEx standards: IEC 60079-0, IEC 60079-1, IEC 60079-31.
<b>UKCA Ex Certified for:</b>	0518  II 2 G Ex db IIC T6...T4 Gb / II 1 D Ex ta IIIC T111°C Da, T6 process temp ≤ 80°C, T5 process temp ≤ 95°C, T4 process temp ≤ 120°C. UKCA Ex Certificate of Conformity: EMA22UKEX0066X. UKCA Ex Standards: EN IEC 60079-0, EN 60079-1, EN 60079-31.
<b>Weight:</b>	2 lb 8 oz (1134 g).
<b>Compliance:</b>	FM, CE, ATEX, IECEx, UKCA Ex.

**Note:** References to ATEX apply to UKCA Ex.

**INSTALLATION**

- Location:** Select a location where the temperature of the transmitter will be between -4 and 158°F. Distance from the receiver is limited only by total loop resistance.
- Position:** The transmitter is not position sensitive. Units with the optional display should be mounted for ease of viewing the display.
- Electrical Connection: Wire Length** - An external power supply is required. See Figure A for diagram of the connection of the power supply, transmitter and receiver. The range of appropriate receiver load resistance (RL) for the DC power supply voltage available is expressed by the formula:

$$R_L = \frac{V_{ps} - 10}{20 \text{ mADC}}$$

Shielded cable is recommended for control loop wiring.

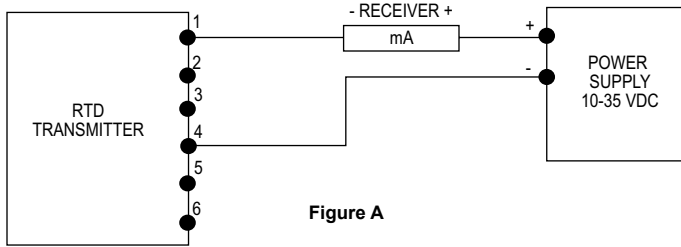


Figure A

**CAUTION**

**FM Explosion-Proof Installation Notes:**

- Install in accordance with any applicable national electric code.
- Plug unused conduit openings. Plug must engage a minimum of 5 threads.
- Use a conduit seal within 18 inches of conduit entry.
- Disconnect power before servicing.

Electrical connections to the RTD Transmitter are made to the terminal block located inside the housing. Unscrew and remove the cover. Wire as shown in Figure B.

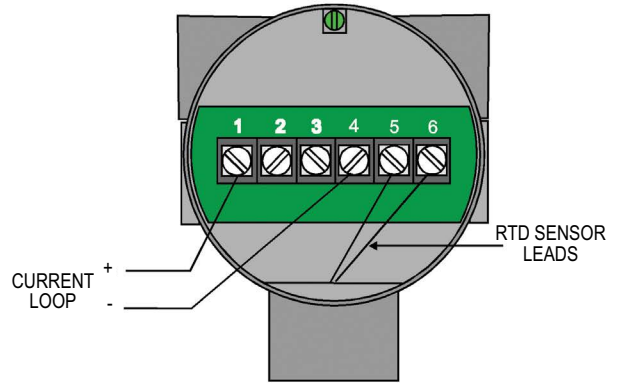


Figure B

**Temperature Range Selection**

The RTD Transmitter has 7 built in temperature ranges and a user settable range that are selectable by setting the Dip Switch located inside the housing (Figure C). Switches 2, 3, and 4 are used to set the range. To set the desired range, unscrew and remove the cover and set the Dip Switch according to the following table:

Selectable Ranges	Dip Switch		
	2	3	4
40 to 90°F (4.4 to 32.2°C)	OFF	OFF	OFF
-20 to 140°F (-28.9 to 60°C)	ON	OFF	OFF
0 to 100°F (-17.8 to 37.8°C)	OFF	ON	OFF
30 to 240°F (-1.1 to 115.6°C)	ON	ON	OFF
32 to 212°F (0 to 100°C)	OFF	OFF	ON
32 to 122°F (0 to 50°C)	ON	OFF	ON
-30 to 65°C (-1.1 to 18.3°C)	OFF	ON	ON
User settable	ON	ON	ON

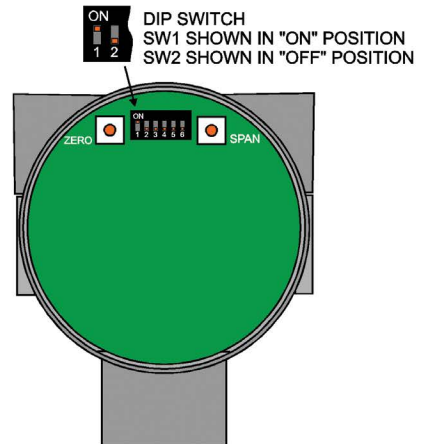


Figure C

### Setting and Calibrating the User Settable Range

By setting SWITCH 2, 3, and 4 on, the RTD Transmitter may be adjusted to a custom user specified range. The range may be any values between  $-30^{\circ}\text{F}$  and  $+250^{\circ}\text{F}$  ( $-34$  to  $+121^{\circ}\text{C}$ ) with a MINIMUM SPAN of  $40^{\circ}\text{F}$  ( $22^{\circ}\text{C}$ ).

### Equipment Required

In order to calibrate the unit for a custom range, a precision RTD simulator that can simulate a 1000 OHM DIN type RTD or precision decade box is required. The device must be capable of generating the correct RTD resistance to 0.1% or better.

### Calibration Procedure

1. Set DIP SWITCHES 2, 3 and 4 ON.
2. Remove the RTD sensor leads from terminals 5 and 6 (Figure B). Connect the precision RTD simulator or decade box to terminals 5 and 6.
3. Wire instrument as previously discussed. A current meter may be wired in series with the unit to verify the correct current output, but this is not necessary for calibration. Apply power to the unit.
4. If a precision RTD simulator is used, make sure it is set to simulate a 1000  $\Omega$  DIN 0.00385 RTD. Then set it to the desired minimum temperature. If a decade box is used refer to the table in Appendix A ( $^{\circ}\text{F}$ ) or Appendix B ( $^{\circ}\text{C}$ ) and set it to the resistance that represents the desired minimum temperature.
5. Press the ZERO button. If the unit has the optional LCD, the display will read ZERO OK momentarily. If a current meter is wired, it will read 4.00 mA.
6. Repeat step 4 using the value for the maximum desired temperature.
7. Press the SPAN button. If the unit has the optional LCD, the display will read SPAN OK momentarily. If a current meter is wired, it will read 20.00 mA.
8. Turn off power to the unit. Disconnect the RTD simulator or decade box and reconnect the RTD sensor to terminals 5 and 6. Calibration is complete.

**Note:** The calibration procedure does not effect the calibration of any of the built in ranges.

### $^{\circ}\text{F}$ and $^{\circ}\text{C}$ Selection

If the unit has the optional LCD display, DIP SWITCH 1 sets the display to read in  $^{\circ}\text{F}$  or  $^{\circ}\text{C}$ . SWITCH 1 "OFF" =  $^{\circ}\text{F}$   
SWITCH 1 "ON" =  $^{\circ}\text{C}$ .

### Output Current Display

If the unit has the optional LCD display, the lower display will show the output current if DIP SWITCH 5 is "ON". Setting DIP SWITCH 5 "OFF" causes the lower display to be blank.

### Open RTD Protection

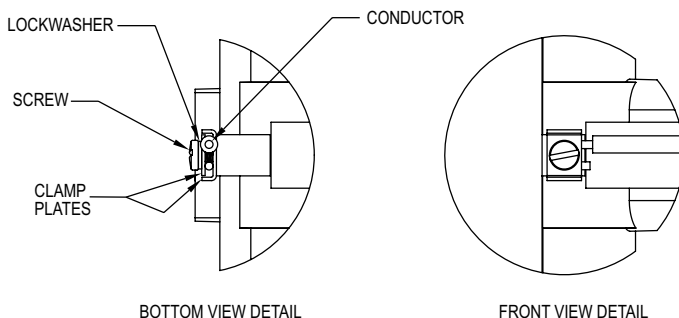
Upon detecting an open RTD, the unit may be set to force the output to read 3.5 mA or 21 mA based upon the setting of DIP SWITCH 6. SWITCH 6 "OFF", output forced to 3.5 mA  
SWITCH 6 "ON", output forced to 21 mA

### Calibration

The unit requires no calibration. An internal precision resistor continually self calibrates the unit. Calibration may be verified by removing the sensor leads and testing the unit against a precision RTD simulator or a precision decade box. If the unit is found to be out of calibration it must be returned to the factory for service.

### ELECTRICAL CONNECTIONS

Connect wire leads in accordance with local electrical codes. For units supplied with both internal ground and external bonding terminals, the ground screw inside the housing must be used to ground the control. The external bonding screw is for supplementary bonding when allowed or required by local code. When external bonding conductor is required, conductor must be wrapped a minimum of  $180^{\circ}$  about the external bonding screw. See below.



### EU-Type Certificate, IECEx Installation Instructions:

#### Cable Connection

The cable entry device shall be certified in type of explosion protection flameproof enclosure "db", suitable for conditions of use and correctly installed. For  $t_a \geq 70^{\circ}\text{C}$  cable and cable gland rated  $\geq 75^{\circ}\text{C}$  (MIN.) shall be used.

#### Conduit Connection

An Ex db certified sealing device such as a conduit seal with setting compound shall be provided immediately to the electrical entrance of the transmitter housing. For  $t_a \geq 70^{\circ}\text{C}$  wiring and setting compound, in the conduit seal, rated  $\geq 75^{\circ}\text{C}$  shall be used.

Unused entries shall be sealed with an Ex certified blanking device rated for the appropriate zone, equipment group and temperature classification and shall be installed per manufacturer instructions.

**Note:** For ATEX/IECEx units only: When employed in a Zone 1, EPL Gb (db) application, the temperature class is determined by the maximum ambient and or process temperature. Units are intended to be used in ambient of  $-20^{\circ}\text{C} \leq T_{amb} \leq 70^{\circ}\text{C}$ . Units may be used in process temperatures up to  $120^{\circ}\text{C}$  providing the enclosure temperature do not exceed  $70^{\circ}\text{C}$ . The standard Temperature Class is T6 Process Temp  $\leq 80^{\circ}\text{C}$ . Remaining temperature classes are, Temperature Class of T5 Process Temp  $\leq 95^{\circ}\text{C}$  and Temperature Class T4 Process Temp  $\leq 120^{\circ}\text{C}$ . Refer to Certificate No: Element IECEx EMT17.0007X for conditions of safe use for IECEx compliant units. All wiring, conduit and enclosures must meet applicable codes for hazardous areas. Conduits and enclosures must be properly sealed. For outdoor or other locations where temperatures vary widely, precautions should be taken to prevent condensation inside enclosure. Electrical components must be kept dry at all times.

When employed in a Zone 20, EPL Da ( $t_a$ ) application, the equipment is to be used with a power source rated for a prospective short circuit current of 10 kA. If the power source is rated for a prospective short circuit current of less than 10 kA, the end user or installer must mark the equipment with the prospective short circuit current rating of the power supply it is used in conjunction with.

#### CAUTION

To prevent ignition of hazardous atmospheres, disconnect the device from the supply circuit before opening. Keep assembly tightly closed when in use.

#### MAINTENANCE

Inspect and clean wetted parts at regular intervals. The cover should be in place at all times to protect, the internal components from dirt, dust and weather and to maintain hazardous location ratings. Disconnect device from the supply circuit before opening to prevent ignition of hazardous atmosphere. Repairs to be conducted by Dwyer Instruments, Inc (field repair should not be attempted and may void warranty).

#### WARNING

Repairs to electrical connection, process connection and flameproof joints are prohibited to maintain safe use of the product.

Units in need of repair should be returned to the factory prepaid. Be sure to include a brief description of the problem plus any relevant application notes. Contact customer service to receive a return goods authorization number for shipping.



This symbol indicates waste electrical products should not be disposed of with household waste. Please recycle where facilities exist. Check with your Local Authority or retailer for recycling advice.

**Appendix A - RTD Table, °F Pit 1000 DIN 0.00385**

Values are in ohms

TEMP, °F	-0	-1	-2	-3	-4	-5	-6	-7	-8	-9
-30	864.7									
-20	886.6	884.4	882.2	880.0	877.8	875.6	873.5	871.3	869.1	866.9
-10	908.5	906.3	904.1	901.9	899.7	897.6	895.4	893.2	891.0	888.8
0	930.3	928.2	926.0	923.8	921.6	919.4	917.2	915.0	912.9	910.7
TEMP, °F	0	1	2	3	4	5	6	7	8	9
0	930.3	932.5	934.7	936.9	939.1	941.2	943.4	945.6	947.8	950.0
10	952.1	954.3	956.5	958.7	960.9	963.0	965.2	967.4	969.6	971.7
20	973.9	976.1	978.3	980.4	982.6	984.8	987.0	989.1	991.3	993.5
30	995.7	997.8	1000.0	1002.2	1004.3	1006.5	1008.7	1010.9	1013.0	1015.2
40	1017.4	1019.5	1021.7	1023.9	1026.0	1028.2	1030.4	1032.5	1034.7	1036.9
50	1039.0	1041.2	1043.4	1045.5	1047.7	1049.9	1052.0	1054.2	1056.3	1058.5
60	1060.7	1062.8	1065.0	1067.1	1069.3	1071.5	1073.6	1075.8	1077.9	1080.1
70	1082.3	1084.4	1086.6	1088.7	1090.9	1093.0	1095.2	1097.4	1099.5	1101.6
80	1103.8	1106.0	1108.1	1110.3	1112.4	1114.6	1116.7	1118.9	1121.0	1123.2
90	1125.3	1127.5	1129.6	1131.8	1133.9	1136.1	1138.2	1140.4	1142.5	1144.7
TEMP, °F	0	1	2	3	4	5	6	7	8	9
100	1146.8	1149.0	1151.1	1153.3	1155.4	1157.6	1159.7	1161.8	1164.0	1166.1
110	1168.3	1170.4	1172.6	1174.7	1176.9	1179.0	1181.1	1183.3	1185.4	1187.6
120	1189.7	1191.8	1194.0	1196.1	1198.3	1200.4	1202.5	1204.7	1207.0	1209.9
130	1211.1	1213.2	1215.4	1217.5	1219.6	1221.8	1223.9	1226.0	1228.2	1230.3
140	1232.4	1234.6	1236.7	1238.8	1241.0	1243.1	1245.2	1247.3	1249.5	1251.6
150	1253.7	1255.9	1258.0	1260.1	1262.2	1264.4	1266.5	1268.6	1270.8	1272.9
160	1275.0	1277.1	1279.3	1281.4	1283.5	1285.6	1287.8	1289.9	1292.0	1294.1
170	1296.2	1298.4	1300.5	1302.6	1304.7	1306.9	1309.0	1311.1	1313.2	1315.3
180	1317.5	1319.6	1321.7	1323.8	1325.9	1328.0	1330.2	1332.3	1334.4	1336.5
190	1338.6	1340.7	1342.8	1345.0	1325.9	1349.2	1351.3	1353.4	1355.5	1357.6
TEMP, °F	0	1	2	3	4	5	6	7	8	9
200.0	1359.7	1361.9	1364.0	1366.1	1368.2	1370.3	1372.4	1374.5	1376.6	1378.7
210.0	1380.8	1383.0	1385.1	1387.2	1389.3	1391.4	1393.5	1395.6	1397.7	1399.8
220.0	1401.9	1404.0	1406.1	1408.2	1410.3	1412.4	1414.5	1416.6	1418.7	1420.8
230.0	1422.9	1425.0	1427.1	1429.2	1431.3	1433.4	1435.5	1437.6	1439.7	1441.8
240.0	1443.9	1446.0	1448.1	1450.2	1452.3	1454.4	1456.5	1458.6	1460.7	1462.8
250.0	1464.9									

**Appendix B - RTD Table, °C Pit 1000 DIN 0.00385**

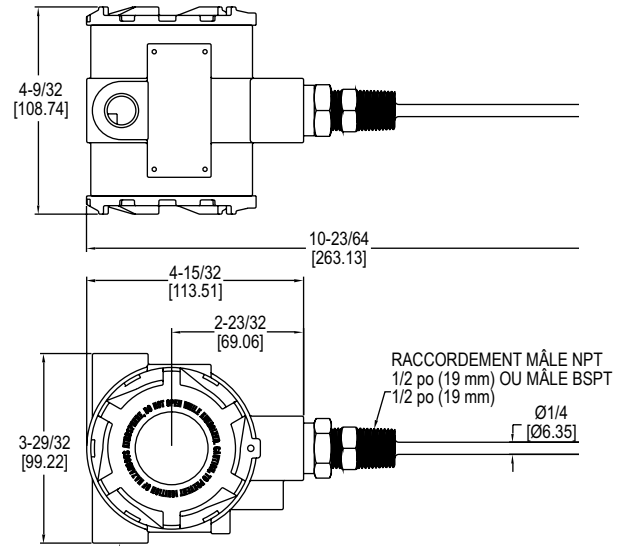
Values are in ohms

TEMP, °C	-0	-1	-2	-3	-4	-5	-6	-7	-8	-9
-30	888.2	878.3	874.3	870.4	866.4					
-20	921.6	917.7	913.7	909.8	905.9	901.9	898.0	894.0	890.1	886.2
-10	960.9	956.9	953.0	949.1	945.2	941.2	937.3	933.4	929.5	925.5
0	1000.0	996.1	992.2	988.3	984.4	980.4	976.5	972.6	968.7	964.8
TEMP, °C	0	1	2	3	4	5	6	7	8	9
0	1000.0	1003.9	1007.8	1011.7	1015.6	1019.5	1023.4	1027.3	1031.2	1035.1
10	1039.0	1042.9	1046.8	1050.7	1054.6	1058.5	1062.4	1066.3	1070.2	1074.1
20	1077.9	1081.8	1085.7	1089.6	1093.5	1097.4	1101.2	1105.1	1109.0	1112.9
30	1116.7	1120.6	1124.5	1128.3	1132.2	1136.1	1140.0	1143.8	1147.7	1151.5
40	1155.4	1159.3	1163.1	1167.0	1170.9	1174.7	1178.6	1182.4	1186.3	1190.1
50	1194.0	1197.8	1201.7	1205.5	1209.4	1213.2	1217.1	1220.9	1224.7	1228.6
60	1232.4	1236.3	1240.1	1243.9	1247.8	1251.6	1255.4	1259.3	1263.1	1266.9
70	1270.8	1274.6	1278.4	1282.3	1286.1	1289.9	1293.7	1297.5	1301.3	1305.2
80	1309.0	1312.8	1316.6	1320.4	1324.2	1328.0	1331.8	1335.7	1339.5	1343.3
90	1347.1	1350.9	1354.7	1358.5	1362.3	1366.1	1369.9	1373.7	1377.5	1381.3
TEMP, °C	0	1	2	3	4	5	6	7	8	9
100	1385.1	1388.9	1392.6	1396.4	1400.2	1404.0	1407.8	1411.6	1415.4	1419.1
110	1422.9	1426.7	1430.5	1434.3	1438.0	1441.8	1445.6	1449.4	1453.1	1456.9
120	1460.7	1464.5								



# Émetteur de température RTD antidéflagration de série TTE

## Spécifications - Installation et mode d'emploi



RACCORD FEMELLE NPT de 2X 1/2 po (19 mm) OU M20

L'émetteur de température RTD antidéflagration de **série TTE** est le produit idéal pour les applications de mesure des températures à risque. La série TTE possède sept plages de mesure de température pré-programmées sélectionnables par l'intermédiaire d'un commutateur dip interne. Pour les applications qui nécessitent une plage personnalisée, l'émetteur peut facilement être configuré pour tout type de plage allant de -30 à 250 °F (-34,4 à 120 °C), avec une étendue minimale de 40 °F (4,44 °C). L'étendue et le zéro peuvent être rapidement réglés par simple pression d'un bouton. Cet appareil possède des listes FM optionnelles pour une utilisation en atmosphères Classe I, Division 1, Groupes B, C et D, Classe II, Division 1, Groupes E, F et G et Classe III ou ATEX (Directive 2014/34/UE) pour **CE** 2813 **II** 2 G Ex db IIC T6...T4 Gb (-20°C ≤ Ta ≤ +70°C), **CE** 2813 **II** 1 D Ex ta IIIC T111°C Da (-20°C ≤ Ta ≤ +70°C) et IECEx pour Ex db IIC T6...T4 Gb (-20°C ≤ Ta ≤ +70°C), Ex ta IIIC T111°C Da (-20°C ≤ Ta ≤ +70°C). Le boîtier compact permet à l'émetteur d'être installé sur quasi toutes les applications.

La série TTE est idéale pour les applications de réfrigération, l'automatisation des bâtiments, les chaudières et les ballons d'eau chaude commerciale et les refroidisseurs d'eau.

TABLEAU DU MODÈLE					Émetteur de température RTD antidéflagration TTE, FM nominale, sonde 4 po (10,16 cm), avec affichage LCD
Exemple	TTE	1	04	W	LCD
Séries	TTE				
Agence		1			
Longueur de sonde			02		
			04		
			06		
			09		
			12		
			15		
			18		
Construction				W	
Options					
					Vierge BSPT
					Processus de raccordement BSPT mâle de 1/2 po (19 mm)
					C5
					Caractéristiques de la peinture du boîtier C5-M
					LCD
					Écran LCD
					M20
					Raccordement électrique fileté femelle M20

\*Options qui ne sont pas homologuées ATEX, IECEx ni UKCA Ex.  
 Attention : Les unités sans le suffixe "2" après la mention "TTE" ne sont pas homologuées par la directive 2014/34/EU (ATEX). Ces unités ne sont pas conçues pour une utilisation en atmosphère potentiellement dangereuses au sein de l'Union Européenne. Ces unités peuvent être estampillées CE pour d'autres directives de l'Union Européenne.

### SPÉCIFICATIONS

**Captteur de température :** Pt1000, 0.00385 DIN.  
**Plages de température de sortie :** Sélectionnable par l'utilisateur – n'importe quelle plage entre -30 à 250 °F (-34,4 à 120 °C), avec une étendue minimale 40 °F.  
**Limites de température :** Ambiante : -4 à 158 °F (-20 à 70 °C) ; en fonction : -30 à 250 °F (-34,4 à 120 °C).  
**Précision :** Émetteurs ±0,1 % FS; Sonde ±0,3 % FS.  
**Effets de dérive thermique :** ±0,02 %/°C max.  
**Temps de réaction :** 250 ms.  
**Matériaux mouillés :** Acier inoxydable 316.  
**Processus de raccordement :** Raccordement mâle NPT 1/2 po (19 mm) ou mâle BSPT 1/2 po (19 mm).  
**Raccord des conduits :** Raccord femelle NPT 1/2 po (19 mm) ou M20.  
**Longueur de sonde :** 2 po à 18 po (5,08 cm à 45,72 cm) (selon le modèle).  
**Limites de pression :** 2000 PSI (137,89 bar).  
**Puissance électrique nécessaire :** 10 à 35 VDC.  
**Signal en sortie :** 4-20 mA (deux boucles de courant alimentées).  
**Écran en option :** Écran LCD 2 lignes X 8 caractères.  
**Indice de protection du boîtier :** Étanche et antidéflagration Approuvé FM pour classe I, division 1, groupes B, C et D et protection contre les coups de poussière pour Classe II, Division 1, Groupes E, F et G et atmosphères classe III.  
**Certifié ATEX :** **CE** 2813 **II** 2 G Ex db IIC T6...T4 Gb, / II 1 D Ex ta IIIC T111°C Da, T6 Température de fonctionnement ≤80 °C, Température Classe T5 Température de fonctionnement ≤95 °C, Température Classe T4 Température de fonctionnement ≤120 °C comme indiqué sur la plaque signalétique. Numéro de certificat de type UE : EMT17ATEX0021X.  
 Normes ATEX : EN IEC 60079-0, EN 60079-1, EN 60079-31.  
**Certifié IECEx :** Pour Ex db IIC T6...T4 Gb, Ex ta IIIC T111°C Da, T6 Température de fonctionnement ≤80 °C, Température Classe T5 Température de fonctionnement ≤95 °C, Température Classe T4 Température de fonctionnement ≤120 °C comme indiqué sur la plaque signalétique.  
**Certificat de conformité IECEx :** Normes élément IECEx EMT 17.0007X; IECEx : IEC 60079-0, IEC 60079-1, IEC 60079-31; ATEX, IECEx, UKCA Ex.  
**Certifié UKCA Ex :** **UK** 0518 **II** 2 G Ex db IIC T6...T4 Gb, / II 1 D Ex ta IIIC T111°C Da, T6 Température de fonctionnement ≤80 °C, Température Classe T5 Température de fonctionnement ≤95 °C, Température Classe T4 Température de fonctionnement ≤120 °C comme indiqué sur la plaque signalétique.  
**Certifié de conformité UKCA Ex :** EMA22UKEX0066X  
 UKCA Ex Normes: EN IEC 60079-0, EN 60079-1, EN 60079-31  
**Poids :** 2 livres 8 onces (1 134 g).  
**Homologations :** ATEX, IECEx, UKCA Ex.

## INSTALLATION

- Emplacement :** Sélectionner un emplacement où la température de l'émetteur se situera entre -4 et 158°F (-20 et 70 °C). La distance à partir du récepteur est uniquement limitée par la résistance totale de la boucle.
- Position :** L'émetteur peut se positionner librement. Les appareils avec d'écran doivent être montés de façon à faciliter la lecture de l'affichage.
- Raccordement électrique :** Un dispositif d'alimentation électrique externe est nécessaire. Voir figure A pour le schéma de raccordement à l'alimentation électrique, émetteur et récepteur. La plage de charge de résistance appropriée du récepteur (RL) pour la tension d'alimentation CC disponible s'exprime par la formule suivante :

$$R_L = \frac{V_{ps} - 10}{20 \text{ mADC}}$$

L'utilisation d'un câble blindé est recommandé pour le câblage à boucle de contrôle.

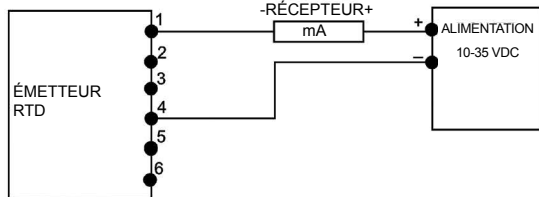


Figure A

### MISE EN GARDE

#### Remarques concernant l'installation FM antidéflagration :

- Installer selon les codes électriques nationaux en vigueur.
- Brancher toutes les ouvertures de conduit non utilisées. Le branchement doit comporter un minimum de 5 fils.
- Utiliser un joint de conduit à 18 pouces (45,72 cm) de l'entrée du conduit.
- Couper l'alimentation électrique avant toute intervention.

Les raccordements électriques vers l'émetteur RTD sont réalisés sur le bornier situé à l'intérieur du boîtier. Dévisser et retirer le couvercle. Brancher comme indiqué sur la figure B.

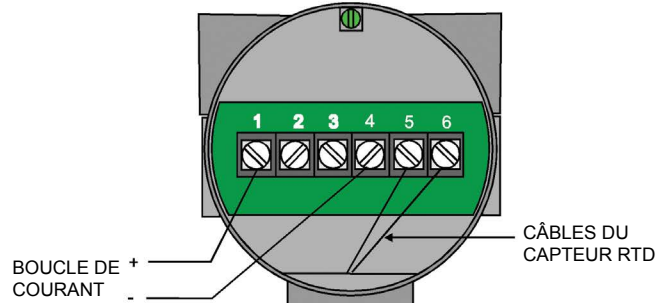


Figure B

#### Sélection de la plage de températures

L'émetteur RTD possède 7 plages de température pré-programmées ainsi qu'une plage réglable par l'utilisateur au moyen du commutateur Dip situé à l'intérieur du boîtier (figure C). Les commutateurs 2, 3, et 4 sont utilisés pour configurer la plage. Pour configurer la plage souhaitée, dévisser et retirer le couvercle et régler le commutateur Dip selon le tableau suivant :

Plages sélectionnables	Commutateur Dip		
	2	3	4
40 à 90 °F (4,4 à 32,2 °C)	OFF (hors tension)	OFF (hors tension)	OFF (hors tension)
-20 à 140 °F (-28,9 à 60 °C)	ON (sous tension)	OFF (hors tension)	OFF (hors tension)
0 à 100 °F (-17,8 à 37,8 °C)	OFF (hors tension)	ON (sous tension)	OFF (hors tension)
30 à 240 °F (-1,1 à 115,6 °C)	ON (sous tension)	ON (sous tension)	OFF (hors tension)
32 à 212 °F (0 à 100 °C)	OFF (hors tension)	OFF (hors tension)	ON (sous tension)
32 à 122 °F (0 à 50 °C)	ON (sous tension)	OFF (hors tension)	ON (sous tension)
-30 à 65 °F (-1,1 à 18,3 °C)	OFF (hors tension)	ON (sous tension)	ON (sous tension)
Réglable par l'utilisateur	ON (sous tension)	ON (sous tension)	ON (sous tension)

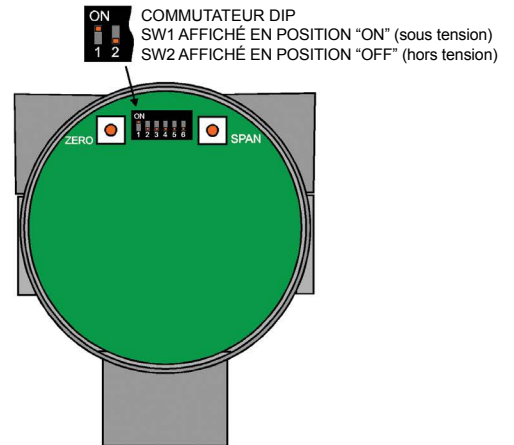


Figure C

### Configuration et étalonnage de la plage réglable par l'utilisateur

En configurant le COMMUTATEUR 2, 3 et 4, l'émetteur RTD peut être réglée sur une plage personnalisée par l'utilisateur. La plage peut être configurée avec n'importe quelle valeur comprise entre  $-30^{\circ}\text{F}$  et  $+250^{\circ}\text{F}$  ( $-34$  à  $+121^{\circ}\text{C}$ ) avec une ÉTENDUE MINIMALE de  $40^{\circ}\text{F}$  ( $22^{\circ}\text{C}$ ).

### Équipement nécessaire

Pour étalonner l'appareil pour une plage personnalisée, il faut utiliser un simulateur RTD de précision pouvant simuler un RTD de type 1000 OHM DIN ou une boîte à décades de précision. Le dispositif doit être capable de générer la résistance RTD correcte à 0,1 % près ou mieux.

### Procédure d'étalonnage

1. Régler les COMMUTATEURS DIP 2, 3 et 4 sur ON (sous tension).
2. Retirer les câbles du capteur RTD des bornes 5 et 6 (Figure B). Brancher le simulateur de précision RTD ou la boîte à décades des bornes 5 et 6.
3. Brancher l'instrument comme indiqué précédemment. Un courantomètre peut être branché en série avec l'unité pour vérifier que le courant de sortie est correct, mais cela n'est pas nécessaire pour l'étalonnage. Mettre l'unité sous tension.
4. Si un simulateur de précision RTD est utilisé, vérifier qu'il est réglé pour simuler un RTD 1000 OHM DIN 0.00385. Puis, régler à la température minimale souhaitée. Si une boîte à décades est utilisée, consulter le tableau de l'annexe A ( $^{\circ}\text{F}$ ) ou de l'annexe B ( $^{\circ}\text{C}$ ) puis régler à la résistance correspondant à la température souhaitée.
5. Appuyer sur le bouton ZERO (Zéro). Si l'appareil possède un écran LCD, l'écran affiche temporairement ZERO OK (Zéro OK). Si le courantomètre est branché, il affiche 4,00 mA.
6. Répéter l'étape 4 en utilisant la valeur correspondant à la température maximale souhaitée.
7. Appuyer sur le bouton SPAN (étendue). Si l'appareil possède un écran LCD, l'écran affiche temporairement SPAN OK (étendue ok). Si le courantomètre est branché, il affiche 20,00 mA.
8. Mettre l'unité hors tension. Débrancher le simulateur RTD ou la boîte à décades et rebrancher le capteur RTD aux bornes 5 et 6. L'étalonnage est terminé.

**Remarque :** La procédure d'étalonnage n'affecte pas l'étalonnage des plages pré-programmées.

### Sélection $^{\circ}\text{F}$ et $^{\circ}\text{C}$

Si l'appareil possède un écran LCD, le COMMUTATEUR DIP 1 règle l'affichage pour un lecteur en  $^{\circ}\text{F}$  ou en  $^{\circ}\text{C}$ . COMMUTATEUR 1 "OFF (hors tension)" =  $^{\circ}\text{F}$   
COMMUTATEUR 1 "ON (sous tension)" =  $^{\circ}\text{C}$

### Affichage du courant de sortie

Si l'appareil possède un écran LCD, l'écran du bas affiche le courant de sortie si le COMMUTATEUR DIP 5 est sur "ON". Si le COMMUTATEUR DIP 5 est sur "OFF", l'écran inférieur est vide.

### Protection contre les RTD ouverts

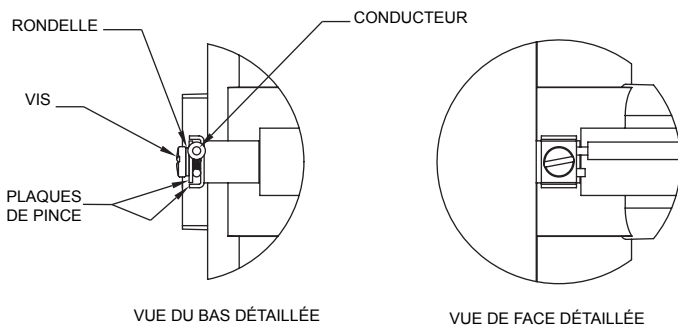
Lorsque qu'un RTD ouvert est détecté, l'unité peut être réglé pour forcer la sortie à afficher 3,5 mA ou 21 mA selon le réglage du COMMUTATEUR DIP 6.  
COMMUTATEUR 6 "OFF", sortie forcée sur 3,5 mA  
COMMUTATEUR 6 "ON", sortie forcée sur 21 mA

### Étalonnage

L'appareil ne requiert aucun étalonnage. Une résistance de précision interne étalonne automatiquement l'unité. L'étalonnage peut être vérifié en retirant les câbles du capteur et en testant l'appareil à l'aide d'un simulateur de précision RTD ou d'une boîte à décades. Si l'appareil est déréglé, il doit être renvoyé à l'usine pour réparation.

### RACCORDEMENTS ÉLECTRIQUES

Brancher les câbles électriques conformément aux codes électriques locaux en vigueur. Pour les unités fournies avec, à la fois, des bornes de terre internes et des bornes de raccordement externes, la vis de terre située dans le boîtier doit être utilisée pour relier le contrôle à la terre. La borne à vis externe permet un raccordement supplémentaire quand cela est possible ou quand cela est exigé par le code local. Quand un conducteur d'équipotentialité est requis, le conducteur doit être enroulé à  $180^{\circ}$  autour de la borne à vis externe. Voir ci-dessous.



### Instructions d'installation conformes aux exigences du certificat type CE et IECEx.

#### Connexion par câble

Le dispositif d'entrée du câble doit être équipé d'un boîtier de protection certifié type « db » en ce qui concerne la protection contre les explosions et les flammes. Il doit être adapté aux conditions d'utilisation et installé correctement. Utiliser un câble et un passe-câbles de cote  $\geq 75^{\circ}\text{C}$  (MIN) pour une  $T_a \geq 70^{\circ}\text{C}$

#### Raccord des conduits

Un dispositif de scellement certifié Ex db, comme par exemple un joint avec composé durcissable, doit immédiatement être posé à l'entrée du boîtier de l'émetteur. Pour une  $T_a \geq 70^{\circ}\text{C}$ , à l'intérieur du dispositif de scellement, utiliser un câblage et un composé durcissable de cote  $\geq 75^{\circ}\text{C}$ .

Les entrées non utilisées doivent être scellées à l'aide d'un dispositif d'obturation certifié Ex adapté à la zone, à la classification du groupe d'appareil et de température appropriée et doit être installé conformément aux instructions du fabricant.

**Remarque :** Pour unités ATEX et IECEx uniquement : Lorsqu'il est utilisé dans le cadre d'une application Zone 1 EPL Gb (db), la classe de température est déterminée par la température maximale ambiante ou par la température de fonctionnement. Les unités sont conçues pour être utilisées à des températures ambiantes correspondant à  $-20^{\circ}\text{C} \leq T_{amb} \leq 70^{\circ}\text{C}$ . Les unités peuvent être utilisées à des températures de fonctionnement allant jusqu'à  $120^{\circ}\text{C}$  à condition que la température du corps du boîtier et du fluostostat ne dépasse pas  $70^{\circ}\text{C}$ . La classe de température standard est la T6 Temp. de fonctionnement  $\leq 80^{\circ}\text{C}$ . Les classes de températures restantes sont la classe de température T5 de température de fonctionnement  $\leq 95^{\circ}\text{C}$  et la classe de température T4 de température de fonctionnement  $\leq 120^{\circ}\text{C}$ . Consulter les certificats n° : Élément IECEx EMT17 0007 X pour les conditions de sécurité concernant les unités conformes aux exigences IECEx. Tous les câbles, conduites et boîtiers doivent être conformes aux codes en vigueur en matière de zones dangereuses. Les conduites et les boîtiers doivent être correctement scellés. Pour les installations en extérieur ou emplacements où les températures varient largement, des précautions doivent être prises afin d'éviter la condensation à l'intérieur du commutateur ou du boîtier. Les composants électriques doivent être maintenus secs en toute circonstance.

Lorsqu'il est utilisé dans le cadre d'une application de Zone 20 EPL Ea (ta), l'appareil doit être utilisé avec une source d'alimentation évaluée pour d'éventuels courts circuits de 10 kA. Si la source d'alimentation a été évaluée pour d'éventuels courts circuits de moins de 10 kA, l'utilisateur final ou l'installateur doit marquer l'appareil avec le courant nominal de court circuit éventuel de la source d'alimentation avec lequel il fonctionne.

#### MISE EN GARDE

Pour éviter toute ignition en atmosphère dangereuse, débrancher le dispositif de l'alimentation électrique avant de l'ouvrir. Maintenir l'assemblage bien fermé lors de l'utilisation.

#### ENTRETIEN

Inspecter et nettoyer les parties mouillées à intervalles réguliers. Le couvercle doit rester en place afin de protéger les composants internes des saletés, de la poussière et du climat et de respecter les règles en matière de risques dus aux emplacements dangereux. Débrancher le dispositif de l'alimentation électrique avant de l'ouvrir afin d'éviter toute ignition en atmosphère dangereuse. Les réparations doivent être conduites par Dwyer Instruments, Inc. (les tentatives de réparation peuvent annuler la garantie).

#### AVERTISSEMENT

Les réparations des raccords électriques, du raccordement de fonctionnement et des joints ignifuges sont interdites afin de garantir une utilisation sûre du produit.

Les unités nécessitant des réparations doivent être renvoyées à l'usine, aux frais de l'utilisateur. Prendre soin d'inclure une brève description du problème ainsi que toute remarque utile sur les conditions d'utilisation. Contacter le service client pour recevoir un numéro d'autorisation de retour de marchandise.



Ce symbole indique que les produits électriques usagés ne doivent pas être jetés avec les ordures ménagères. Veuillez recycler là où les installations existent. Vérifiez auprès de votre autorité locale ou de votre revendeur pour obtenir des conseils sur le recyclage.

**Annexe A - Tableau RTD, °F Pt 1000 DIN 0.00385**

Les valeurs sont en ohms

TEMP, °F	-0	-1	-2	-3	-4	-5	-6	-7	-8	-9
-30	864,7									
-20	886,6	884,4	882,2	880,0	877,8	875,6	873,5	871,3	869,1	866,9
-10	908,5	906,3	904,1	901,9	899,7	897,6	895,4	893,2	891,0	888,8
0	930,3	928,2	926,0	923,8	921,6	919,4	917,2	915,0	912,9	910,7
TEMP, °F	0	1	2	3	4	5	6	7	8	9
0	930,3	932,5	934,7	936,9	939,1	941,2	943,4	945,6	947,8	950,0
10	952,1	954,3	956,5	958,7	960,9	963,0	965,2	967,4	969,6	971,7
20	973,9	976,1	978,3	980,4	982,6	984,8	987,0	989,1	991,3	993,5
30	995,7	997,8	1000,0	1002,2	1004,3	1006,5	1008,7	1010,9	1013,0	1015,2
40	1017,4	1019,5	1021,7	1023,9	1026,0	1028,2	1030,4	1032,5	1034,7	1036,9
50	1039,0	1041,2	1043,4	1045,5	1047,7	1049,9	1052,0	1054,2	1056,3	1058,5
60	1060,7	1062,8	1065,0	1067,1	1069,3	1071,5	1073,6	1075,8	1077,9	1080,1
70	1082,3	1084,4	1086,6	1088,7	1090,9	1093,0	1095,2	1097,4	1099,5	1101,6
80	1103,8	1106,0	1108,1	1110,3	1112,4	1114,6	1116,7	1118,9	1121,0	1123,2
90	1125,3	1127,5	1129,6	1131,8	1133,9	1136,1	1138,2	1140,4	1142,5	1144,7
TEMP, °F	0	1	2	3	4	5	6	7	8	9
100	1146,8	1149,0	1151,1	1153,3	1155,4	1157,6	1159,7	1161,8	1164,0	1166,1
110	1168,3	1170,4	1172,6	1174,7	1176,9	1179,0	1181,1	1183,3	1185,4	1187,6
120	1189,7	1191,8	1194,0	1196,1	1198,3	1200,4	1202,5	1204,7	1207,0	1208,9
130	1211,1	1213,2	1215,4	1217,5	1219,6	1221,8	1223,9	1226,0	1228,2	1230,3
140	1232,4	1234,6	1236,7	1238,8	1241,0	1243,1	1245,2	1247,3	1249,5	1251,6
150	1253,7	1255,9	1258,0	1260,1	1262,2	1264,4	1266,5	1268,6	1270,8	1272,9
160	1275,0	1277,1	1279,3	1281,4	1283,5	1285,6	1287,8	1289,9	1292,0	1294,1
170	1296,2	1298,4	1300,5	1302,6	1304,7	1306,9	1309,0	1311,1	1313,2	1315,3
180	1317,5	1319,6	1321,7	1323,8	1325,9	1328,0	1330,2	1332,3	1334,4	1336,5
190	1338,6	1340,7	1342,8	1345,0	1325,9	1349,2	1351,3	1353,4	1355,5	1357,6
TEMP, °F	0	1	2	3	4	5	6	7	8	9
200,0	1359,7	1361,9	1364,0	1366,1	1368,2	1370,3	1372,4	1374,5	1376,6	1378,7
210,0	1380,8	1383,0	1385,1	1387,2	1389,3	1391,4	1393,5	1395,6	1397,7	1399,8
220,0	1401,9	1404,0	1406,1	1408,2	1410,3	1412,4	1414,5	1416,6	1418,7	1420,8
230,0	1422,9	1425,0	1427,1	1429,2	1431,3	1433,4	1435,5	1437,6	1439,7	1441,8
240,0	1443,9	1446,0	1448,1	1450,2	1452,3	1454,4	1456,5	1458,6	1460,7	1462,8
250,0	1464,9									

**Annexe B - Tableau RTD, °C Pt 1000 DIN 0.00385**

Les valeurs sont en ohms

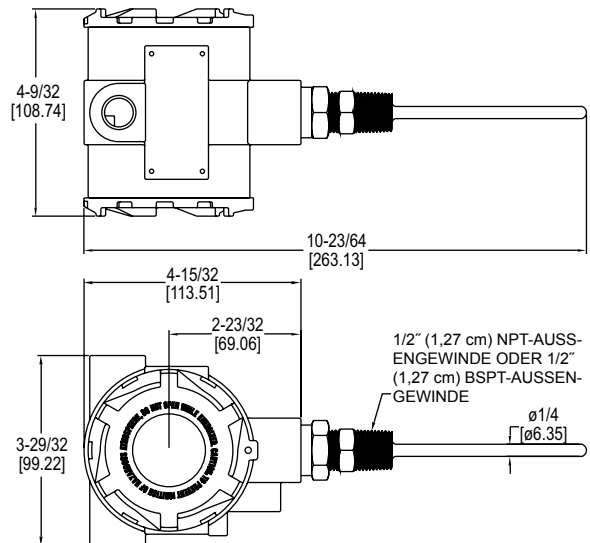
TEMP, °C	-0	-1	-2	-3	-4	-5	-6	-7	-8	-9
-30	888,2	878,3	874,3	870,4	866,4					
-20	921,6	917,7	913,7	909,8	905,9	901,9	898,0	894,0	890,1	886,2
-10	960,9	956,9	953,0	949,1	945,2	941,2	937,3	933,4	929,5	925,5
0	1000,0	996,1	992,2	988,3	984,4	980,4	976,5	972,6	968,7	964,8
TEMP, °C	0	1	2	3	4	5	6	7	8	9
0	1000,0	1003,9	1007,8	1011,7	1015,6	1019,5	1023,4	1027,3	1031,2	1035,1
10	1039,0	1042,9	1046,8	1050,7	1054,6	1058,5	1062,4	1066,3	1070,2	1074,1
20	1077,9	1081,8	1085,7	1089,6	1093,5	1097,4	1101,2	1105,1	1109,0	1112,9
30	1116,7	1120,6	1124,5	1128,3	1132,2	1136,1	1140,0	1143,8	1147,7	1151,5
40	1155,4	1159,3	1163,1	1167,0	1170,9	1174,7	1178,6	1182,4	1186,3	1190,1
50	1194,0	1197,8	1201,7	1205,5	1209,4	1213,2	1217,1	1220,9	1224,7	1228,6
60	1232,4	1236,3	1240,1	1243,9	1247,8	1251,6	1255,4	1259,3	1263,1	1266,9
70	1270,8	1274,6	1278,4	1282,3	1286,1	1289,9	1293,7	1297,5	1301,3	1305,2
80	1309,0	1312,8	1316,6	1320,4	1324,2	1328,0	1331,8	1335,7	1339,5	1343,3
90	1347,1	1350,9	1354,7	1358,5	1362,3	1366,1	1369,9	1373,7	1377,5	1381,3
TEMP, °C	0	1	2	3	4	5	6	7	8	9
100	1385,1	1388,9	1392,6	1396,4	1400,2	1404,0	1407,8	1411,6	1415,4	1419,1
110	1422,9	1426,7	1430,5	1434,3	1438,0	1441,8	1445,6	1449,4	1453,1	1456,9
120	1460,7	1464,5								





# Serie TTE explosionsgeschützter RTD-Temperatursender

## Technische Daten – Montage- und Betriebsanleitung



2X 1/2" NPT-INNENGEWINDE ODER M20

Der Serie TTE explosionsgeschützte RTD-Temperatursender ist das ideale Produkt für gefährliche Temperaturmessungen. Die TTE-Serie hat sieben vorprogrammierte Temperaturbereiche, die über einen internen Kippschalter ausgewählt werden können. Anwendungen, die einen benutzerdefinierten Bereich erfordern, kann der Sender auf einfache Weise auf jeden Bereich zwischen -30 bis 250 °F (-34,4 bis 120 °C) mit einer Mindest 40 °F (4,44 °C). Die Spanne und Null können leicht über ein einfaches Druckschalterdesign angepasst werden. Dieses Gerät hat optionale FM-Protokolle zur Verwendung in Klasse I, Division 1, Gruppen B, C und D, Klasse II, Division 1, Gruppen E, F und G und Klasse III-Atmosphären oder ATEX (Direktive 2014/34/EU) für **CE** 2813 II 2 G Ex db IIC T6...T4 Gb (-20°C ≤ Ta ≤ + 70°C), **CE** 2813 II 1 D Ex ta IIIC T111°C Da (-20°C ≤ Ta ≤ + 70°C) und IECEx für Ex db IIC T6...T4 Gb (-20°C ≤ Ta ≤ + 70°C), Ex ta IIIC T111°C Da (-20°C ≤ Ta ≤ + 70°C). Durch das kompakte Gehäuse kann der Sender bei beinahe jeder Anwendung angebracht werden.

Die Serie TTE ist hervorragend geeignet für Kühlung, Gebäudeautomatisierung, handelsübliche Warmwasserbereiter und Boiler, sowie Wasserkühler.

TABELLE						
Beispiel	TTE	1	04	W	LCD	Explosionsgeschützter RTD-Temperatursender, FM-Stufe, 4"-Sonde mit LCD-Anzeige
Serie	TTE					Explosionsgeschützter RTD-Temperatursender
Behörde		1				FM* ATEX/IECEX/UKCA Ex flammensicher
Sondenlänge			02			2" (5,08 cm) Sonde
			04			4" (10,16 cm) Sonde
			06			6" (15,24 cm) Sonde
			09			9" (22,86 cm) Sonde
			12			12" (30,48 cm) Sonde
			15			15" (38,10 cm) Sonde
		18			18" (45,72 cm) Sonde	
Bauweise				W		Trockenlaufsonde
Optionen					Leer	Keine LCD-Anzeige
					BSPT	1/2 Prozessanschluss mit BSPT-Außengewinde
					C5	Farbspezifikationen C5-M-Gehäuse
					LCD M20	LCD-Anzeige Elektrischer Anschluss mit M20-Innengewinde

\*Optionen ohne ATEX, IECEx und UKCA Ex.  
Achtung: Geräte ohne die Erweiterung „2“ nach „TTE“ erfüllen nicht die Direktive 2014/34/EU (ATEX). Diese Geräte sind für den Einsatz in explosionsgefährdeten Räumen nicht geeignet. Sie sind nur nach CE getestet.

### TECHNISCHE DATEN

**Temperatursensor:** Pt1000, 0.00385 DIN.  
**Ausgabetemperaturbereiche:** Benutzerdefiniert – beliebiger zwischen -30 bis 250 °F (-34,4 bis 120 °C) mit einem Mindestbereich von 40°F.  
**Temperaturbereich:** Umgebungstemp.: -4 bis 158 °F (-20 bis 70 °C); Prozesstemp.: -30 bis 250 °F (-34,4 bis 120 °C).  
**Genauigkeit:** Sender ±0,1 % FS; Sonde ±0,3% FS.  
**Thermodriftwirkung:** ±0,02 %/ °C max.  
**Reaktionszeit:** 250 ms.  
**Mediumberührende Teile:** Edelstahl 316.  
**Prozessanschluss:** 1/2" (1,27 cm) NPT-Außengewinde oder 1/2" (1,27 cm) BSPT-Außengewinde.  
**Kabeleingang:** 1/2" (1,27 cm) NPT-Innengewinde oder M20.  
**Sondenlänge:** 2" (5,08 cm) bis 18" (45,72 cm) (modellabhängig).  
**Druckbereich:** 2000 PSI.  
**Leistungsbedarf:** 10 bis 35 VDC.  
**Ausgangssignal:** 4-20 mA (betrieben mit Zweileitertechnik).  
**Optionale Anzeige:** LCD mit 2 Zeilen X 8 Zeichen.  
**Gehäuse:** Wettergeschützt und explosionsgeschützt. Aufgeführt mit FM für Klasse I, Division 1, Gruppen B, C und D und staubexplosionsgeschützt für Klasse II, Division 1, Gruppen E, F und G und Klasse-III-Atmosphären.  
**ATEX Zertifiziert:** **CE** 2813 II 2 G Ex db IIC T6...T4 Gb, / II 1 D Ex ta IIIC T111°C Da, T6 Prozesstemp ≤80°C, Temperaturklasse T5 Prozesstemp ≤95°C, Temperaturklasse T4 Prozesstemp ≤120°C wie auf dem Typenschild definiert. EU-Typ Zertifikatnr.: EMT17ATEX0021X.  
**ATEX-Standards:** EN IEC 60079-0, EN 60079-1, EN 60079-31.  
**IECEx Zertifiziert:** Für Ex db IIC T6...T4 Gb, Ex ta IIIC T111°C Da, T6 Prozesstemp ≤80°C, Temperaturklasse T5 Prozesstemp ≤95°C, Temperaturklasse T4 Prozesstemp ≤120°C wie auf dem Namensschild definiert.  
**IECEx-Konformitätszertifikat:** IECEx EMT 17.0007X; IECEx-Normen: IEC 60079-IEC 60079-0, IEC 60079-1, IEC 60079-31.  
**UKCA Ex Zertifiziert:** 0518 II 2 G Ex db IIC T6...T4 Gb, / II 1 D Ex ta IIIC T111°C Da, T6 Prozesstemp ≤80°C, Temperaturklasse T5 Prozesstemp ≤95°C, Temperaturklasse T4 Prozesstemp ≤120°C wie auf dem Typenschild definiert.  
**UKCA Ex-Konformitätszertifikat:** EMA22UKEX0066X.  
**UKCA-Normen:** IEC EN 60079-0, EN 60079-1, EN 60079-31.  
**Gewicht:** 2 lb 8 oz (1134 g).  
**Zulassungen:** FM, CE, ATEX, IECEx, UKCA Ex.

## MONTAGE

- Aufstellungsort:** Wählen Sie einen Aufstellungsort, bei dem die Temperatur des Sender zwischen -4 und 158 °F liegt. Der Abstand vom Empfänger wird nur durch die Gesamtschleifenwiderstand begrenzt.
- Position:** Der Sender ist nicht ortsempfindlich. Gerät mit der optionalen Anzeige müssen so angebracht werden, dass die Anzeige leicht abzulesen ist.
- Elektrischer Anschluss: Kabellänge** - Es wird eine externe Stromquelle benötigt. Siehe Abbildung A für eine Darstellung der Verbindung zu Stromquelle, Sender und Empfänger. Der Bereich des geeigneten Empfängerlastwiderstands (RL) für die verfügbare Spannung der Gleichstromversorgung wird durch die folgende Formel ausgedrückt:

$$R_L = \frac{V_{ps} - 10}{20 \text{ mADC}}$$

Für die Steuerringleitung sollten abgeschirmte Kabel verwendet werden.

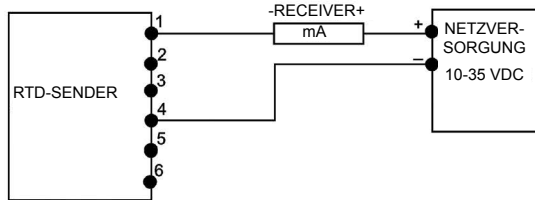


Abbildung A

## VORSICHT

### Hinweise zur explosionsgeschützten FM-Montage:

- Montieren Sie gemäß aller geltenden nationalen elektrischen Normen.
- Verschließen Sie nicht verwendete Kabeleinführungen. Stecker muss mindestens 5 Gewinde abdecken.
- Verwenden Sie ein Kablesiegel innerhalb von 18 Zoll vom Kabeleingang.
- Trennen Sie das Gerät vor Wartungsarbeiten von der Stromversorgung.

Elektrische Verbindungen zum RTD-Sender werden an der Klemmleiste ausgeführt, die sich im Gehäuse befindet. Lösen Sie die Schrauben und entfernen Sie die Abdeckung. Verkabeln Sie wie in Abbildung B gezeigt.

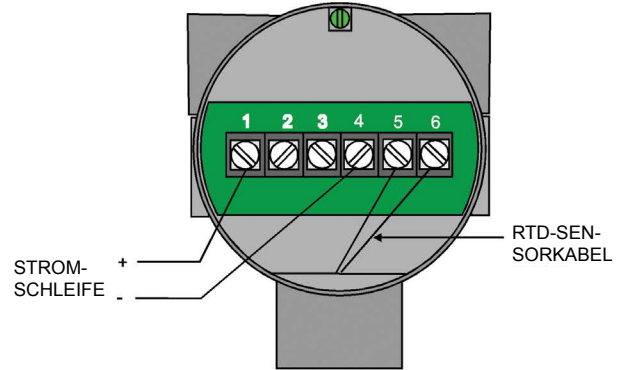


Abbildung B

### Auswahl des Temperaturbereichs

Der RTD-Sender hat 7 eingebaute Temperaturbereiche und einen benutzerdefinierten Bereich, der durch Festlegung des Kippschalters im Gehäuse (Abbildung C) ausgewählt wird. Mit den Schaltern 2, 3 und 4 wird der Bereich festgelegt. Um den gewünschten Bereich festzulegen, lösen Sie die Schrauben, entfernen die Abdeckung und stellen den Kippschalter gemäß der folgenden Tabelle ein:

Auswählbare Bereiche	Kippschalter		
	2	3	4
40 bis 90 °F (4,4 bis 32,2 °C)	AUS	AUS	AUS
-20 bis 140 °F (-28,9 bis 60 °C)	EIN	AUS	AUS
0 bis 100 °F (-17,8 bis 37,8 °C)	AUS	EIN	AUS
30 bis 240 °F (-1,1 bis 115,6 °C)	EIN	EIN	AUS
32 bis 212 °F (0 bis 100 °C)	AUS	AUS	EIN
32 bis 122 °F (0 bis 50 °C)	EIN	AUS	EIN
-30 bis 65 °F (-1,1 bis 18,3 °C)	AUS	EIN	EIN
Benutzerdefiniert	EIN	EIN	EIN

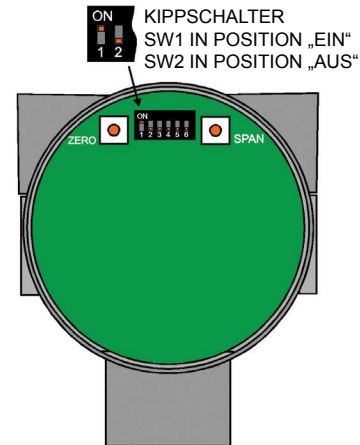


Abbildung C

### Einstellung und Kalibrierung des benutzerdefinierten Bereichs

Durch Aktivierung von SCHALTER 2, 3 und 4 kann der RTD-Sender auf einen benutzerdefinierten Bereich eingestellt werden. Der Bereich kann Werte zwischen -30 °F und +250 °F (-34 bis +121 °C) mit einem MINDESTBEREICH von 40 °F (22 °C) liegen.

### Erforderliche Geräte

Um das Gerät auf einen benutzerdefinierten Bereich einzustellen, ist ein RTD-Präzisionssimulator, der einen 1000 OHM DIN-RTD oder Präzisionswiderstandsdekade simulieren kann, erforderlich. Das Gerät muss den korrekten RTD-Widerstand auf 0,1 % oder besser erzeugen können.

### Kalibrierungsverfahren

1. KIPPSCHALTER 2, 3 und 4 auf EIN stellen.
2. Entfernen Sie die RTD-Sensorkabel von den Klemmen 5 und 6 (Abbildung B). Schließen Sie den RTD-Präzisionssimulator oder Widerstandsdekade an die Klemmen 5 und 6 an.
3. Verkabeln Sie das Instrument wie bereits erwähnt. Ein Stromzähler kann mit dem Gerät in Reihe verkabelt werden, um die korrekte Stromausgabe zu überprüfen, dies ist allerdings für die Kalibrierung nicht erforderlich. Schließen Sie das Gerät an den Strom an.
4. Wird ein RTD-Präzisionssimulator verwendet, müssen Sie sicherstellen, dass er auf die Simulation eines 1000 OHM DIN 0,00385 RTD eingestellt ist. Legen Sie danach die gewünschte Mindesttemperatur fest. Wird eine Widerstandsdekade verwendet, siehe in der Tabelle in Anhang A (°F) oder Anhang B (°C) und stellen Sie ihn auf den Widerstand, der die gewünschte Mindesttemperatur darstellt.
5. Drücken Sie auf den Schalter ZERO (NULL). Hat das Gerät einen optionalen LCD-Bildschirm, ist auf ihm kurz ZERO OK (NULL OK) zu sehen. Ist ein Stromzähler angeschlossen, zeigt er 4,00 mA an.
6. Wiederholen Sie Schritt 4 mit dem Wert für die gewünschte Höchsttemperatur.
7. Drücken Sie die Taste SPAN (SPANNE). Hat das Gerät einen optionalen LCD-Bildschirm, ist auf ihm kurz SPAN (SPANNE) zu sehen. Ist ein Stromzähler angeschlossen, zeigt er 20,00 mA an.
8. Schalten Sie das Gerät aus. Trennen Sie den RTD-Simulator oder Widerstandsdekade und schließen Sie den RTD-Sensor wieder an die Klemmen 5 und 6 an. Die Kalibrierung ist abgeschlossen.

**Hinweis:** Das Kalibrierungsverfahren hat keinen Einfluss auf die Kalibrierung der anderen eingebauten Bereiche.

### Auswahl von °F und °C

Hat das Gerät einen optionalen LCD-Bildschirm, legt der KIPPSCHALTER 1 die Anzeige in °F oder °C fest. SCHALTER 1 „AUS“ = °F  
SCHALTER 1 „EIN“ = °C

### Anzeige des Ausgabestroms

Hat das Gerät einen optionalen LCD-Bildschirm, zeigt der untere Teil den Ausgabestrom, wenn der KIPPSCHALTER 5 „AN“ ist. Ist die Einstellung für KIPPSCHALTER 5 „AUS“, bleibt der untere Bildschirm leer.

### Offener RTD-Schutz

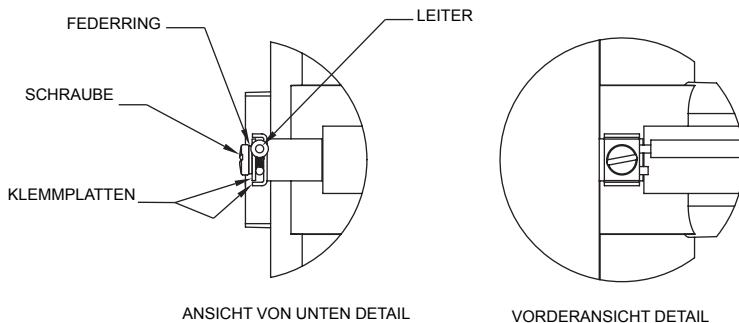
Nach Erkennung eines offenen RTD, kann das Gerät so eingestellt werden, dass die Ausgabe 3,5 mA oder 21 mA je nach Einstellung von KIPPSCHALTER 6 anzeigt. SCHALTER 6 „AUS“, Ausgabe muss 3,5 mA sein  
SCHALTER 6 „EIN“, Ausgabe muss 21 mA sein

### Kalibrierung

Das Gerät muss nicht kalibriert werden. Ein interner Präzisionswiderstand führt eine Selbstkalibrierung des Geräts durch. Die Kalibrierung kann überprüft werden, indem die Sensorkabel entfernt und das Gerät mit einem RTD-Präzisionssimulator oder einer Widerstandsdekade geprüft wird. Stellt sich heraus, dass das Gerät kalibriert ist, muss es zur Wartung an den Hersteller geschickt werden.

### ELEKTRISCHE ANSCHLÜSSE

Verbinden Sie die Kabel entsprechend den örtlichen Regularien. Bei Geräten mit interner Erdungsschraube und externer Verbindungsschraube muss die innere Erdungsschraube zur Erdung des Signales verwendet werden. Die externe Verbindungsschraube dient zur zusätzlichen Erdung, falls von örtlichen Regularien erlaubt oder erfordert. Ist ein externer Verbindungsleiter erforderlich, muss der Leiter mindestens 180° um die externe Verbindungsschraube gewickelt sein. Siehe unten.



### EU-Zertifizierung, IECEx-Installationsanweisungen:

#### Kabelanschluss

Das Kabeleingangsgerät muss in der Kategorie "Explosionsschutz" als feuersicheres Gehäuse der Klasse "db" zugelassen sein, für die Einsatzbedingungen geeignet sein und korrekt installiert werden. Bei  $t_a \geq 70 \text{ °C}$  sind Kabel und Kabelverschraubungen für  $\geq 75 \text{ °C}$  (MIN.) zu verwenden.

#### Gehäuseverschraubung

Am elektrischen Eingang des Sendergehäuses ist umgehend eine Dichtungsvorrichtung mit Ex-db-Zertifizierung wie beispielsweise ein Kabelschutzrohr mit Justierung anzubringen. Bei  $t_a \geq 70 \text{ °C}$  muss das Kabelmaterial in der Durchgangsdichtung mindestens bis  $\geq 75 \text{ °C}$  geeignet sein.

Nicht verwendete Eingänge müssen mit einem Stopfen mit Ex-Zertifizierung, der für die passende Zone, Gerätegruppe und Temperaturklassifizierung geeignet ist, versiegelt und gemäß der Herstelleranleitung montiert werden.

**Hinweis:** Nur für ATEX-/IECEx-Geräte: Bei der Anwendung in einer Zone 1, EPL Gb (db), wird die Temperaturklasse entweder durch die max. Umgebungstemperatur oder durch die Prozesstemperatur bestimmt. Die Geräte sind für eine Umgebungstemperatur von  $-20 \text{ °C} \leq T_{amb} \leq 70 \text{ °C}$  bestimmt. Die Instrumente können bis zu einer Prozesstemperatur von  $120 \text{ °C}$  eingesetzt werden, vorausgesetzt das Gehäuse erreicht keine Temperaturen über  $70 \text{ °C}$ . Die Standardtemperaturklasse T6 ist bei einer Prozesstemperatur von  $\leq 80 \text{ °C}$ . Die verbleibenden Temperaturklassen sind Temperaturklasse T5 Prozesstemp  $\leq 95 \text{ °C}$  und Temperaturklasse T4 Prozesstemp  $\leq 120 \text{ °C}$ . Siehe Zertifikatnr: Element IECEx EMT17.0007X zu Informationen zum sicheren Umgang mit IECEx-Geräten. Alle Verdrahtungen und Gehäuse müssen den entsprechenden Regularien für explosionsgefährdete Umgebungen entsprechen. Die Gehäuse müssen ordnungsgemäß abgedichtet werden. Bei Außenanwendungen oder anderen Anwendungen, bei denen die Temperaturen stark schwanken, müssen Vorkehrungen zur Vermeidung von Kondensation innerhalb des Gehäuses getroffen werden. Alle elektrischen Komponenten sind vor Feuchtigkeit zu schützen.

Bei der Anwendung in einer Zone 20, EPL Da ( $t_a$ ), muss das Gerät mit einer Stromquelle verwendet werden, die für einen prospektiven Kurzschlussstrom von 10 kA zugelassen ist. Ist die Stromquelle für einen prospektiven Kurzschlussstrom von weniger als 10 kA zugelassen, muss der Endbenutzer oder Monteur das Gerät mit der prospektiven Kurzschlussstromklassifizierung der Stromquelle kennzeichnen, mit der es in Verbindung steht.

#### VORSICHT

Zur Vermeidung von Bränden in explosionsgefährdeten Umgebungen unterbrechen Sie die Spannungsversorgung, bevor Sie den Durchflussschalter öffnen. Halten Sie das Gerät beim Arbeiten immer geschlossen.

#### Wartung

Reinigen und kontrollieren Sie die mediumberührenden Teile in regelmäßigen Abständen. Die Abdeckung muss immer verschlossen sein, um die internen Teile vor Schmutz, Staub und Witterungseinflüssen zu schützen. Lösen Sie immer die Spannungsversorgung, bevor Sie den Schalter öffnen, um Arbeiten an der Elektrik vorzunehmen. Reparaturen müssen von Dwyer instruments Inc durchgeführt werden (Feldreparaturen dürfen nicht durchgeführt werden und können die Garantie nichtig machen).

#### WARNTUNG

Reparaturen elektrischer Verbindungen, Prozessverbindungen und feuersicherer Gelenke sind verboten, um die sichere Verwendung des Produkts sicherzustellen.

Zu reparierende Geräte sollten im Voraus bezahlt ans Werk geschickt werden. Fügen Sie außerdem eine kurze Erläuterung des Problems sowie relevante Anmerkungen bei. Bevor Sie das Produkt einschicken, holen Sie sich bitte beim Kundendienst eine Warenrücksendenummer.



Dieses Symbol weist darauf hin, dass Elektroaltgeräte nicht mit dem Hausmüll entsorgt werden dürfen. Bitte recyceln Sie, wo Einrichtungen vorhanden sind. Erkundigen Sie sich bei Ihrer örtlichen Behörde oder Ihrem Händler nach Ratschlägen zum Recycling.

**ANHANG A - RTD-Tabelle, °F Pt 1000 DIN 0,00385**

Werte in Ohm

TEMP, °F	-0	-1	-2	-3	-4	-5	-6	-7	-8	-9
-30	864,7									
-20	886,6	884,4	882,2	880,0	877,8	875,6	873,5	871,3	869,1	866,9
-10	908,5	906,3	904,1	901,9	899,7	897,6	895,4	893,2	891,0	888,8
0	930,3	928,2	926,0	923,8	921,6	919,4	917,2	915,0	912,9	910,7
TEMP, °F	0	1	2	3	4	5	6	7	8	9
0	930,3	932,5	934,7	936,9	939,1	941,2	943,4	945,6	947,8	950,0
10	952,1	954,3	956,5	958,7	960,9	963,0	965,2	967,4	969,6	971,7
20	973,9	976,1	978,3	980,4	982,6	984,8	987,0	989,1	991,3	993,5
30	995,7	997,8	1000,0	1002,2	1004,3	1006,5	1008,7	1010,9	1013,0	1015,2
40	1017,4	1019,5	1021,7	1023,9	1026,0	1028,2	1030,4	1032,5	1034,7	1036,9
50	1039,0	1041,2	1043,4	1045,5	1047,7	1049,9	1052,0	1054,2	1056,3	1058,5
60	1060,7	1062,8	1065,0	1067,1	1069,3	1071,5	1073,6	1075,8	1077,9	1080,1
70	1082,3	1084,4	1086,6	1088,7	1090,9	1093,0	1095,2	1097,4	1099,5	1101,6
80	1103,8	1106,0	1108,1	1110,3	1112,4	1114,6	1116,7	1118,9	1121,0	1123,2
90	1125,3	1127,5	1129,6	1131,8	1133,9	1136,1	1138,2	1140,4	1142,5	1144,7
TEMP, °F	0	1	2	3	4	5	6	7	8	9
100	1146,8	1149,0	1151,1	1153,3	1155,4	1157,6	1159,7	1161,8	1164,0	1166,1
110	1168,3	1170,4	1172,6	1174,7	1176,9	1179,0	1181,1	1183,3	1185,4	1187,6
120	1189,7	1191,8	1194,0	1196,1	1198,3	1200,4	1202,5	1204,7	1207,0	1208,9
130	1211,1	1213,2	1215,4	1217,5	1219,6	1221,8	1223,9	1226,0	1228,2	1230,3
140	1232,4	1234,6	1236,7	1238,8	1241,0	1243,1	1245,2	1247,3	1249,5	1251,6
150	1253,7	1255,9	1258,0	1260,1	1262,2	1264,4	1266,5	1268,6	1270,8	1272,9
160	1275,0	1277,1	1279,3	1281,4	1283,5	1285,6	1287,8	1289,9	1292,0	1294,1
170	1296,2	1298,4	1300,5	1302,6	1304,7	1306,9	1309,0	1311,1	1313,2	1315,3
180	1317,5	1319,6	1321,7	1323,8	1325,9	1328,0	1330,2	1332,3	1334,4	1336,5
190	1338,6	1340,7	1342,8	1345,0	1325,9	1349,2	1351,3	1353,4	1355,5	1357,6
TEMP, °F	0	1	2	3	4	5	6	7	8	9
200,0	1359,7	1361,9	1364,0	1366,1	1368,2	1370,3	1372,4	1374,5	1376,6	1378,7
210,0	1380,8	1383,0	1385,1	1387,2	1389,3	1391,4	1393,5	1395,6	1397,7	1399,8
220,0	1401,9	1404,0	1406,1	1408,2	1410,3	1412,4	1414,5	1416,6	1418,7	1420,8
230,0	1422,9	1425,0	1427,1	1429,2	1431,3	1433,4	1435,5	1437,6	1439,7	1441,8
240,0	1443,9	1446,0	1448,1	1450,2	1452,3	1454,4	1456,5	1458,6	1460,7	1462,8
250,0	1464,9									

**ANHANG B - RTD-Tabelle, °C Pt 1000 DIN 0,00385**

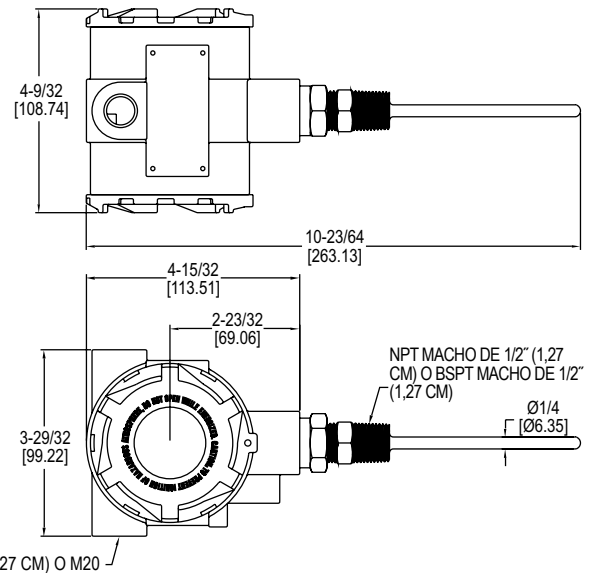
Werte in Ohm

TEMP, °C	-0	-1	-2	-3	-4	-5	-6	-7	-8	-9
-30	888,2	878,3	874,3	870,4	866,4					
-20	921,6	917,7	913,7	909,8	905,9	901,9	898,0	894,0	890,1	886,2
-10	960,9	956,9	953,0	949,1	945,2	941,2	937,3	933,4	929,5	925,5
0	1000,0	996,1	992,2	988,3	984,4	980,4	976,5	972,6	968,7	964,8
TEMP, °C	0	1	2	3	4	5	6	7	8	9
0	1000,0	1003,9	1007,8	1011,7	1015,6	1019,5	1023,4	1027,3	1031,2	1035,1
10	1039,0	1042,9	1046,8	1050,7	1054,6	1058,5	1062,4	1066,3	1070,2	1074,1
20	1077,9	1081,8	1085,7	1089,6	1093,5	1097,4	1101,2	1105,1	1109,0	1112,9
30	1116,7	1120,6	1124,5	1128,3	1132,2	1136,1	1140,0	1143,8	1147,7	1151,5
40	1155,4	1159,3	1163,1	1167,0	1170,9	1174,7	1178,6	1182,4	1186,3	1190,1
50	1194,0	1197,8	1201,7	1205,5	1209,4	1213,2	1217,1	1220,9	1224,7	1228,6
60	1232,4	1236,3	1240,1	1243,9	1247,8	1251,6	1255,4	1259,3	1263,1	1266,9
70	1270,8	1274,6	1278,4	1282,3	1286,1	1289,9	1293,7	1297,5	1301,3	1305,2
80	1309,0	1312,8	1316,6	1320,4	1324,2	1328,0	1331,8	1335,7	1339,5	1343,3
90	1347,1	1350,9	1354,7	1358,5	1362,3	1366,1	1369,9	1373,7	1377,5	1381,3
TEMP, °C	0	1	2	3	4	5	6	7	8	9
100	1385,1	1388,9	1392,6	1396,4	1400,2	1404,0	1407,8	1411,6	1415,4	1419,1
110	1422,9	1426,7	1430,5	1434,3	1438,0	1441,8	1445,6	1449,4	1453,1	1456,9
120	1460,7	1464,5								



# Transmisor de temperatura a prueba de explosión RTD Series TTE

## Especificaciones - Instrucciones de instalación y uso



NPT HEMBRA DE 2X 1/2" (5,08 CM X 1,27 CM) O M20

El transmisor de temperatura a prueba de explosión RTD **Series TTE** es el producto ideal para aplicaciones peligrosas de medición de temperatura. Las series TTE tienen rangos de temperatura preprogramados que se seleccionan mediante un interruptor DIP interno. Para aquellas aplicaciones que necesitan un rango personalizado, el transmisor puede configurarse fácilmente para cualquier rango de entre -30 y 250 °F (-34,4 °C y 121 °C) con una amplitud mínima de 40 °F (4,44 °C). La amplitud y el cero pueden ajustarse rápidamente con solo pulsar un botón. Esta unidad tiene listados opcionales de FM para usar en clase I, división 1, grupos B, C y D, clase II, división 1, grupos E, F y G y atmósferas clase III o ATEX (directiva 2014/34/EU) para **CE** 2813 II 2 G Ex db IIC T6...T4 Gb (-20°C ≤ Ta ≤ +70°C), **CE** 2813 II 1 D Ex ta IIIC T111 °C Da (-20°C ≤ Ta ≤ +70°C) y IECEx para Ex db IIC T6...T4 Gb (-20°C ≤ Ta ≤ +70°C), Ex ta IIIC T111 °C Da (-20°C ≤ Ta ≤ +70°C). La carcasa compacta permite montar el transmisor virtualmente en cualquier aplicación.

Las series TTE son adecuadas para refrigeración, automatización edilicia, calentadores y calderas comerciales, y aplicaciones de enfriamiento de agua.

TABLA DE MODELOS					
<b>Ejemplo:</b>	TTE	1	04	W LCD	<b>Transmisor de temperatura RTD a prueba de explosiones, con aprobación FM, sondas de 4" (10,16 cm), con pantalla</b>
<b>Series</b>	TTE				Transmisor de temperatura a prueba de explosión RTD Series TTE
<b>Agencia</b>		1			FM*
		2			ATEX/IECEX/UKCA Ex ignifugo
<b>Longitud de sonda</b>			02		sonda de 2" (5,08 cm)
			04		sonda de 4" (10,16 cm)
			06		sonda de 6" (15,24 cm)
			09		sonda de 9" (22,86 cm)
			12		sonda de 12" (30,48 cm)
			15		sonda de 15" (38,10 cm)
			18		sonda de 18" (45,72 cm)
<b>Construcción</b>				W	Probeta de pozo
<b>Opciones</b>					Vacia BSPT C5 Especificación de pintura de la carcasa C5-M LCD Pantalla LCD M20 Conexión eléctrica hembra de filamentos M20

\*Opciones que no tienen ATEX, IECEx ni UKCA Ex.

Atención: Las unidades sin el sufijo "2" después de "TTE" no cumplen la directiva 2014/34/EU (ATEX). Estas unidades no están indicadas para usarse en atmósferas potencialmente peligrosas en la UE. Estas unidades pueden tener el marcado CE para otras Directivas de la UE.

### ESPECIFICACIONES TÉCNICAS

**Sensor de temperatura:** Pt1000, 0.00385 DIN.

**Rangos de temperatura de salida:** A elegir por el usuario – Cualquier rango entre -30 y 250 °F (-34,4 y 121 °C) con una amplitud mínima de 40 °F (4,4 °C).

**Límites de temperatura:** Ambiente: -4 a 158 °F (-20 a 70 °C); proceso: -30 a 250 °F (-34,4 a 120 °C).

**Precisión:** Transmisor ±0,1 % FS; Sonda ±0,3 % FS.

**Efectos de deriva térmica:** ±0,02 %/°C máx..

**Tiempo de respuesta:** 250 ms

**Materiales mojados:** Acero inoxidable 316.

**Conexión del proceso:** NPT macho de 1/2" (1,27 cm) o BSPT macho de 1/2" (1,27 cm)

**Conexión de conductos:** NPT hembra de 1/2" (1,27 cm) o M20.

**Longitud de sonda:** De 2" (5,08 cm) a 18" (45,72 cm), según el modelo.

**Límites de presión:** 2000 PSI.

**Requisitos eléctricos:** De 10 a 35 V CC.

**Señal de salida:** 4-20 mA (alimentado por un circuito de dos hilos).

**Pantalla opcional:** LCD de 2 líneas X 8 caracteres.

**Clasificación de la carcasa:** Resistente a la intemperie y a prueba de explosiones: Listado con FM para clase I, división 1, grupos B, C y D, y a prueba de polvo y de ignición para clase II, división 1, grupos E, F y G, y atmósferas de clase III.

**Certificado ATEX:** **CE** 2813 II 2 G Ex db IIC T6...T4 Gb, / II 1 D Ex ta IIIC T111°C Da, T6 temp. del proceso ≤80 °C, clase de temperatura T5 temp. del proceso ≤95 °C, clase de temperatura T4 temp. del proceso ≤120 °C como se indica en la placa. Certificado tipo UE n.º: EMT17ATEX0021X.

Normativas ATEX: EN IEC 60079-0, EN 60079-1, EN 60079-31.

**Certificación IECEx:** Para Ex db IIC T6...T4 Gb, Ex ta IIIC T111°C Da, T6 temp. del proceso ≤80 °C, clase de temperatura T5 temp. del proceso ≤95 °C, clase de temperatura T4 temp. del proceso ≤120 °C tal como se indica en la placa.

**Certificado de cumplimiento IECEx:** IECEx EMT 17.0007X; normativas IECEx: IIEC 60079-0, IEC 60079-1, IEC 60079-31.

**Certificación UKCA Ex:** UKA 0518 II 2 G Ex db IIC T6...T4 Gb, / II 1 D Ex ta IIIC T111°C Da, T6 temp. del proceso ≤80 °C, clase de temperatura T5 temp. del proceso ≤95 °C, clase de temperatura T4 temp. del proceso ≤120 °C como se indica en la placa.

Certificado de cumplimiento UKCA Ex: EMA22UKEX0066X.

Normativas UKCA: EN 60079-0, EN 60079-1, EN 60079-31.

**Peso:** 2 lb 8 oz (1134 g).

**Aprobaciones de agencias:** FM, CE, ATEX, IECEx, UKCA Ex.

**INSTALACIÓN**

1. **Ubicación:** Seleccione una ubicación en la que la temperatura del transmisor esté entre -4 y 158 °F (-20 y 70 °C). la distancia del receptor solo está limitada por la resistencia de bucle total.
2. **Posición:** el transmisor no es sensible a las posiciones. Las unidades con pantalla opcional deben montarse de forma que tenga una visualización fácil.
3. **Conexión eléctrica: Longitud del cable** - Se necesita una fuente de energía externa. Vea en la figura A el diagrama de conexión de la fuente de energía, el transmisor y el receptor. El rango de resistencia de carga del receptor (RL) para el voltaje de alimentación de CC disponible se expresa mediante la siguiente fórmula:

$$R_L = \frac{V_{ps} - 10}{20 \text{ mA CC}}$$

Para controlar el cableado de bucle se recomienda un cable apantallado.

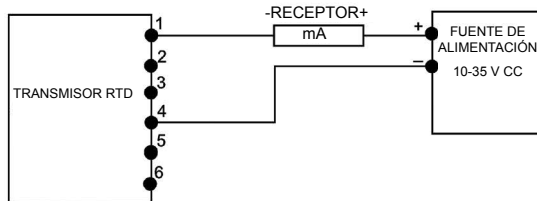


Figura A

**PRECAUCIÓN**

**Notas de instalación FM a prueba de explosiones:**

1. Instalar según el código eléctrico nacional de aplicación.
2. Tapar las aperturas de canalización sin utilizar. Al tapar se deben incluir un mínimo de 5 hilos.
3. Utilizar un sello de canalización a 18 pulgadas de la entrada de canalización.
4. Desconectar la alimentación antes de la reparación.

Las conexiones eléctricas al transmisor RTD se hacen a un bloque terminal ubicado dentro de la carcasa. Desatornillar y retirar la cubierta. Cablear como se muestra en la figura B.

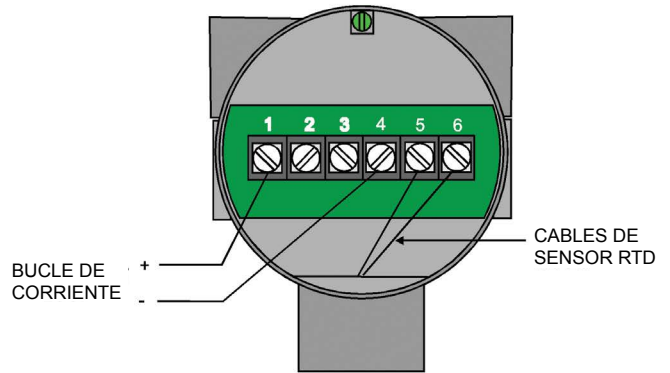


Figura B

**Selección del rango de temperatura**

El transmisor RTD tiene 7 rangos de temperatura incluidos y un rango configurable por el usuario que se pueden seleccionar ajustando el interruptor DIP ubicado dentro de la carcasa (figura C). Los interruptores 2, 3 y 4 se utilizan para ajustar el rango. Para ajustar al rango deseado, desatornille y retire la cubierta y ajuste el interruptor DIP según la siguiente tabla:

Rangos seleccionables	Interruptor DIP		
	2	3	4
DE 40 a 90 °F (de 4,4 a 32,2 °C)	APAGADO	APAGADO	APAGADO
De -20 a 140 °F (de -28,9 a 60 °C).	ENCENDIDO	APAGADO	APAGADO
De 0 a 100 °F (de -17,8 a 37,8 °C)	APAGADO	ENCENDIDO	APAGADO
De 30 a 240 °F (de -1,1 a 115,6 °C)	ENCENDIDO	ENCENDIDO	APAGADO
De 32 a 212 °F (de 0 a 100 °C)	APAGADO	APAGADO	ENCENDIDO
De 32 a 122 °F (de 0 a 50 °C)	ENCENDIDO	APAGADO	ENCENDIDO
De -30 a 65 °F (de -1,1 a 18,3 °C)	APAGADO	ENCENDIDO	ENCENDIDO
Configurable por el usuario	ENCENDIDO	ENCENDIDO	ENCENDIDO

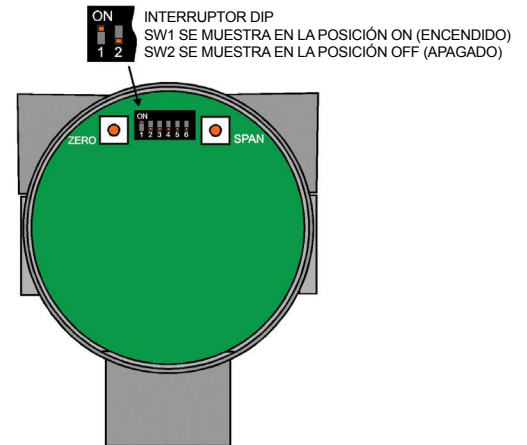


Figura C

### Ajustar y calibrar el rango ajustable por el usuario

Ajustando los INTERRUPTORES 2, 3 y 4, el transmisor RTD puede ajustarse al rango específico personalizado por el usuario. El rango puede estar entre los valores  $-30^{\circ}\text{F}$  y  $+250^{\circ}\text{F}$  (de  $-34$  a  $+121^{\circ}\text{C}$ ) con una AMPLITUD MÍNIMA de  $40^{\circ}\text{F}$  ( $22^{\circ}\text{C}$ ).

### Equipo necesario

Para calibrar la unidad a un rango personalizado, se necesita un estimulador RTD que pueda estimular una RTD de 1000 OHM tipo DIN o una caja de década de precisión. El dispositivo debe ser capaz de generar la resistencia RTD hasta un 0,1 % o mejor.

### Procedimiento de calibración

1. Ajuste los interruptores DIP 2, 3 y 4 a ON (ENCENDIDO).
2. Retire los cables del sensor RTD desde las terminales 5 y 6 (figura B). Conecte el simulador RTD de precisión o la caja de década a los terminales 5 y 6.
3. Cablee el instrumento como se indicó anteriormente. Puede instalarse un medidor de corriente en serie con la unidad para comprobar la salida de corriente correcta, pero no es necesario para la calibración. Conecte la unidad a la fuente de alimentación.
4. Si se utiliza un simulador RTD, asegúrese de que está ajustado para simular una RTD de 1000 OHM DIN 0,00385. Luego, ajústelo a la temperatura mínima deseada. Si se usa una caja de década, consulte la tabla en el apéndice A ( $^{\circ}\text{F}$ ) o en el apéndice B ( $^{\circ}\text{C}$ ) y ajústela a la resistencia que represente la temperatura mínima deseada.
5. Presione el botón ZERO (CERO). Si la unidad tiene la LCD opcional, mostrará ZERO OK (CERO CORRECTO) de forma momentánea. Si hay un medidor de corriente conectado, marcará 4,00 mA.
6. Repita el paso 4 utilizando el valor de la temperatura máxima deseada.
7. Presione el botón SPAN (AMPLITUD). Si la unidad tiene la LCD opcional, mostrará SPAN (AMPLITUD CORRECTA) de forma momentánea. Si hay un medidor de corriente conectado, marcará 20,00 mA.
8. Apague la unidad. Desconecte el simulador RTD o una caja de década y reconecte el sensor RTD a las terminales 5 y 6. Se ha terminado la calibración.

**Nota:** el procedimiento de calibración no afecta la calibración de ninguno de los rangos incorporados.

### Selección de $^{\circ}\text{F}$ y $^{\circ}\text{C}$

Si la unidad tiene una pantalla LCD opcional, el INTERRUPTOR DIP 1 ajusta la pantalla para que de la lectura en  $^{\circ}\text{F}$  o  $^{\circ}\text{C}$ . INTERRUPTOR 1 "OFF" (APAGADO) =  $^{\circ}\text{F}$ . INTERRUPTOR 1 "ON" (ENCENDIDO) =  $^{\circ}\text{C}$ .

### Pantalla de corriente de salida

Si la unidad tiene una pantalla LCD opcional, la pantalla más baja mostrará la corriente de salida si el INTERRUPTOR DIP 5 está "ON". Si el INTERRUPTOR DIP 5 está "OFF", la pantalla más baja estará vacía.

### Protección RTD abierta

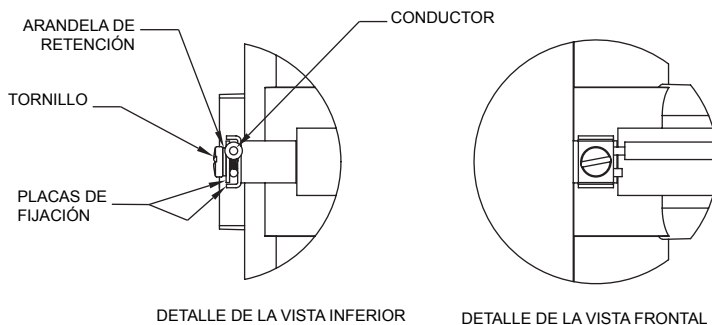
Al detectar una RTD abierta, la unidad debe ajustarse para forzar a que en la salida se indique 3,5 mA o 21 mA en base al ajuste del INTERRUPTOR DIP 6. INTERRUPTOR 6 "OFF", salida forzada a 3,5 mA. INTERRUPTOR 6 "ON", salida forzada a 21 mA.

### Calibración

La unidad no necesita calibración. Un resistor de precisión interno autocalibra la unidad continuamente. Puede comprobarse la calibración retirando las sondas y probando la unidad frente al simulador de precisión RTD o una caja de década de precisión. Si la unidad se encuentra sin calibrar, debe devolverse a la fábrica para su reparación.

### CONEXIONES ELÉCTRICAS

Conecte los cables conductores de acuerdo con los códigos eléctricos locales. Para los equipos que se suministren con tomas de tierra interna y externa, el tornillo de tierra del interior de la caja debe usarse para conectar el control a tierra. El tornillo de conexión externo es para realizar una conexión adicional cuando sea permitido o requerido por las normas locales. Si es necesario usar el conductor a tierra externo, el conductor deberá anudarse al menos  $180^{\circ}$  alrededor del tornillo de conexión exterior. Ver a continuación.



### Instrucciones de instalación del certificado tipo EC e, IECEx:

#### Conexión del cable

El dispositivo de entrada de cable debe tener certificación para carcasa resistente al fuego con protección contra explosiones tipo "db", adecuada para las condiciones de uso e instalada correctamente. Si la ta es  $\geq 70^{\circ}\text{C}$ , debe utilizarse un cable y un prensacables aprobado para temperaturas  $\geq 75^{\circ}\text{C}$  (MÍN.).

#### Conexión de conductos

Inmediatamente después de la entrada a la carcasa eléctrica debe utilizarse un dispositivo de sellado con la certificación Ex d, como un sello de conductos con un compuesto endurecedor adecuado para las condiciones de uso y correctamente instalado. Si la temperatura ambiente es  $\geq 70^{\circ}\text{C}$ , se deben utilizar un cableado y un compuesto endurecedor en el sello de conductos certificados para  $\geq 75^{\circ}\text{C}$ .

Las entradas no utilizadas deben sellarse con un dispositivo obturador con certificación Ex calificado para la zona apropiada, clasificación de temperatura y del grupo del equipo, y debe instalarse según las instrucciones del fabricante.

**Note:** solo para equipos ATEX/IECEx: Cuando se emplean en la zona 1, aplicación EPL Gb (db), la clase de temperatura se determina por la temperatura de ambiente máxima o de proceso. Las unidades están hechas para usarse en ambientes de  $-20^{\circ}\text{C} \leq \text{temp. amb.} \leq 70^{\circ}\text{C}$ . Las unidades pueden usarse en temperaturas de proceso de hasta  $120^{\circ}\text{C}$  siempre que la temperatura de la carcasa no supere los  $70^{\circ}\text{C}$ . La clase de temperatura estándar es T6, temp. de proceso  $\leq 80^{\circ}\text{C}$ . Las clases de temperatura restantes son: clase de temperatura T5, temp. del proceso  $\leq 95^{\circ}\text{C}$  y clase de temperatura T4, temp. del proceso  $\leq 120^{\circ}\text{C}$ . Consulte el certificado n.º: Elemento IECEx EMT17.0007X para conocer las condiciones de uso seguro de las unidades conforme a IECEx. Todos los cables, conductos y cajas deben cumplir los códigos vigentes para áreas peligrosas. Los conductos y las cajas deben estar adecuadamente sellados. Para exteriores o para otros lugares en los que las temperaturas varíen ampliamente, se deben tomar las precauciones necesarias para evitar la condensación en el interior del interruptor o de la caja. Los componentes eléctricos se deben mantener secos en todo momento.

Cuando se emplea en la zona 20, aplicación EPL Da (ta), el equipo se utilizará con una fuente de alimentación calificada para una corriente prevista de cortocircuito de 10 kA. Si la fuente de alimentación se califica para una corriente prevista de cortocircuito de 10 kA, el usuario final o el instalador debe marcar al equipo con la calificación de corriente prevista de cortocircuito de la fuente de alimentación con la que se utiliza.


**PRECAUCIÓN** Para evitar incendios en atmósferas peligrosas, desconecte el dispositivo del circuito de la fuente de alimentación antes de abrirlo. Mantenga el conjunto herméticamente cerrado cuando esté en uso.

### Mantenimiento

Inspeccione y limpie las piezas mojadas a intervalos regulares. La tapa debe estar colocada en todo momento, a fin de proteger los componentes internos de la suciedad, el polvo, el clima, y para mantener las clasificaciones para ubicaciones peligrosas. Desconecte el dispositivo del circuito de la fuente antes de abrirlo para evitar el encendido de atmósfera peligrosa. Las reparaciones las realizará Dwyer Instruments, Inc (no deben intentarse las reparaciones en campo y pueden anular la garantía).

**ADVERTENCIA** Están prohibidos las reparaciones de las conexiones eléctricas, la conexión del proceso y las juntas antideflagrantes para hacer un uso seguro del producto.

Las unidades que necesiten reparación deberán enviarse a fábrica con portes prepagados. Asegúrese de incluir una breve descripción del problema además de cualquier nota relevante sobre la aplicación. Póngase en contacto con el servicio de atención al cliente para obtener un número de autorización de devolución de productos para el envío.

 Este símbolo indica que los productos eléctricos de desecho no deben desecharse con la basura doméstica. Por favor, recicle en las instalaciones correspondientes. Consulte con su autoridad local o minorista para obtener consejos sobre reciclaje.

**Apéndice A - RTD Tabla, °F Pit 1000 DIN 0.00385**

Los valores son en ohmios.

TEMP, °F	-0	-1	-2	-3	-4	-5	-6	-7	-8	-9
-30	864,7									
-20	886,6	884,4	882,2	880,0	877,8	875,6	873,5	871,3	869,1	866,9
-10	908,5	906,3	904,1	901,9	899,7	897,6	895,4	893,2	891,0	888,8
0	930,3	928,2	926,0	923,8	921,6	919,4	917,2	915,0	912,9	910,7
TEMP, °F	0	1	2	3	4	5	6	7	8	9
0	930,3	932,5	934,7	936,9	939,1	941,2	943,4	945,6	947,8	950,0
10	952,1	954,3	956,5	958,7	960,9	963,0	965,2	967,4	969,6	971,7
20	973,9	976,1	978,3	980,4	982,6	984,8	987,0	989,1	991,3	993,5
30	995,7	997,8	1000,0	1002,2	1004,3	1006,5	1008,7	1010,9	1013,0	1015,2
40	1017,4	1019,5	1021,7	1023,9	1026,0	1028,2	1030,4	1032,5	1034,7	1036,9
50	1039,0	1041,2	1043,4	1045,5	1047,7	1049,9	1052,0	1054,2	1056,3	1058,5
60	1060,7	1062,8	1065,0	1067,1	1069,3	1071,5	1073,6	1075,8	1077,9	1080,1
70	1082,3	1084,4	1086,6	1088,7	1090,9	1093,0	1095,2	1097,4	1099,5	1101,6
80	1103,8	1106,0	1108,1	1110,3	1112,4	1114,6	1116,7	1118,9	1121,0	1123,2
90	1125,3	1127,5	1129,6	1131,8	1133,9	1136,1	1138,2	1140,4	1142,5	1144,7
TEMP, °F	0	1	2	3	4	5	6	7	8	9
100	1146,8	1149,0	1151,1	1153,3	1155,4	1157,6	1159,7	1161,8	1164,0	1166,1
110	1168,3	1170,4	1172,6	1174,7	1176,9	1179,0	1181,1	1183,3	1185,4	1187,6
120	1189,7	1191,8	1194,0	1196,1	1198,3	1200,4	1202,5	1204,7	1207,0	1208,9
130	1211,1	1213,2	1215,4	1217,5	1219,6	1221,8	1223,9	1226,0	1228,2	1230,3
140	1232,4	1234,6	1236,7	1238,8	1241,0	1243,1	1245,2	1247,3	1249,5	1251,6
150	1253,7	1255,9	1258,0	1260,1	1262,2	1264,4	1266,5	1268,6	1270,8	1272,9
160	1275,0	1277,1	1279,3	1281,4	1283,5	1285,6	1287,8	1289,9	1292,0	1294,1
170	1296,2	1298,4	1300,5	1302,6	1304,7	1306,9	1309,0	1311,1	1313,2	1315,3
180	1317,5	1319,6	1321,7	1323,8	1325,9	1328,0	1330,2	1332,3	1334,4	1336,5
190	1338,6	1340,7	1342,8	1345,0	1325,9	1349,2	1351,3	1353,4	1355,5	1357,6
TEMP, °F	0	1	2	3	4	5	6	7	8	9
200,0	1359,7	1361,9	1364,0	1366,1	1368,2	1370,3	1372,4	1374,5	1376,6	1378,7
210,0	1380,8	1383,0	1385,1	1387,2	1389,3	1391,4	1393,5	1395,6	1397,7	1399,8
220,0	1401,9	1404,0	1406,1	1408,2	1410,3	1412,4	1414,5	1416,6	1418,7	1420,8
230,0	1422,9	1425,0	1427,1	1429,2	1431,3	1433,4	1435,5	1437,6	1439,7	1441,8
240,0	1443,9	1446,0	1448,1	1450,2	1452,3	1454,4	1456,5	1458,6	1460,7	1462,8
250,0	1464,9									

**Apéndice B - Tabla RTD, °C Pit 1000 DIN 0.00385**

Los valores son en ohmios.

TEMP, °C	-0	-1	-2	-3	-4	-5	-6	-7	-8	-9
-30	888,2	878,3	874,3	870,4	866,4					
-20	921,6	917,7	913,7	909,8	905,9	901,9	898,0	894,0	890,1	886,2
-10	960,9	956,9	953,0	949,1	945,2	941,2	937,3	933,4	929,5	925,5
0	1000,0	996,1	992,2	988,3	984,4	980,4	976,5	972,6	968,7	964,8
TEMP, °C	0	1	2	3	4	5	6	7	8	9
0	1000,0	1003,9	1007,8	1011,7	1015,6	1019,5	1023,4	1027,3	1031,2	1035,1
10	1039,0	1042,9	1046,8	1050,7	1054,6	1058,5	1062,4	1066,3	1070,2	1074,1
20	1077,9	1081,8	1085,7	1089,6	1093,5	1097,4	1101,2	1105,1	1109,0	1112,9
30	1116,7	1120,6	1124,5	1128,3	1132,2	1136,1	1140,0	1143,8	1147,7	1151,5
40	1155,4	1159,3	1163,1	1167,0	1170,9	1174,7	1178,6	1182,4	1186,3	1190,1
50	1194,0	1197,8	1201,7	1205,5	1209,4	1213,2	1217,1	1220,9	1224,7	1228,6
60	1232,4	1236,3	1240,1	1243,9	1247,8	1251,6	1255,4	1259,3	1263,1	1266,9
70	1270,8	1274,6	1278,4	1283,9	1286,1	1289,9	1293,7	1297,5	1301,3	1305,2
80	1309,0	1312,8	1316,6	1320,4	1324,2	1328,0	1331,8	1335,7	1339,5	1343,3
90	1347,1	1350,9	1354,7	1358,5	1362,3	1366,1	1369,9	1373,7	1377,5	1381,3
TEMP, °C	0	1	2	3	4	5	6	7	8	9
100	1385,1	1388,9	1392,6	1396,4	1400,2	1404,0	1407,8	1411,6	1415,4	1419,1
110	1422,9	1426,7	1430,5	1434,3	1438,0	1441,8	1445,6	1449,4	1453,1	1456,9
120	1460,7	1464,5								