

Hub City Poweratio® 4000 & Spartan™ Helical In-Line Drives

Spartan Aluminum Inline Reducers & Gear+Motor™ Solutions

Four sizes with ratings Up to 13 hp and ratios from 3.4 to 278.6:1

SPARTAN REDUCERS ARE FILLED WITH PAG460 SYNTHETIC OIL as standard. All sizes are considered "lubed for life." Specify mounting position at time of order. Refer to page I-9 for available positions.

REMOVABLE INSPECTION COVER allows periodic inspection of gearing during routine maintenance.

RATIOS UP TO 63:1 in two-stage units and up to 278:1 in three-stage units to maximize efficiency and reduce overall case size.

ALL GEARING IS HARDENED AND GROUND (AGMA Class 10 or better), for enhanced efficiency and noise reduction. Double reduction units are 96–97% efficient.

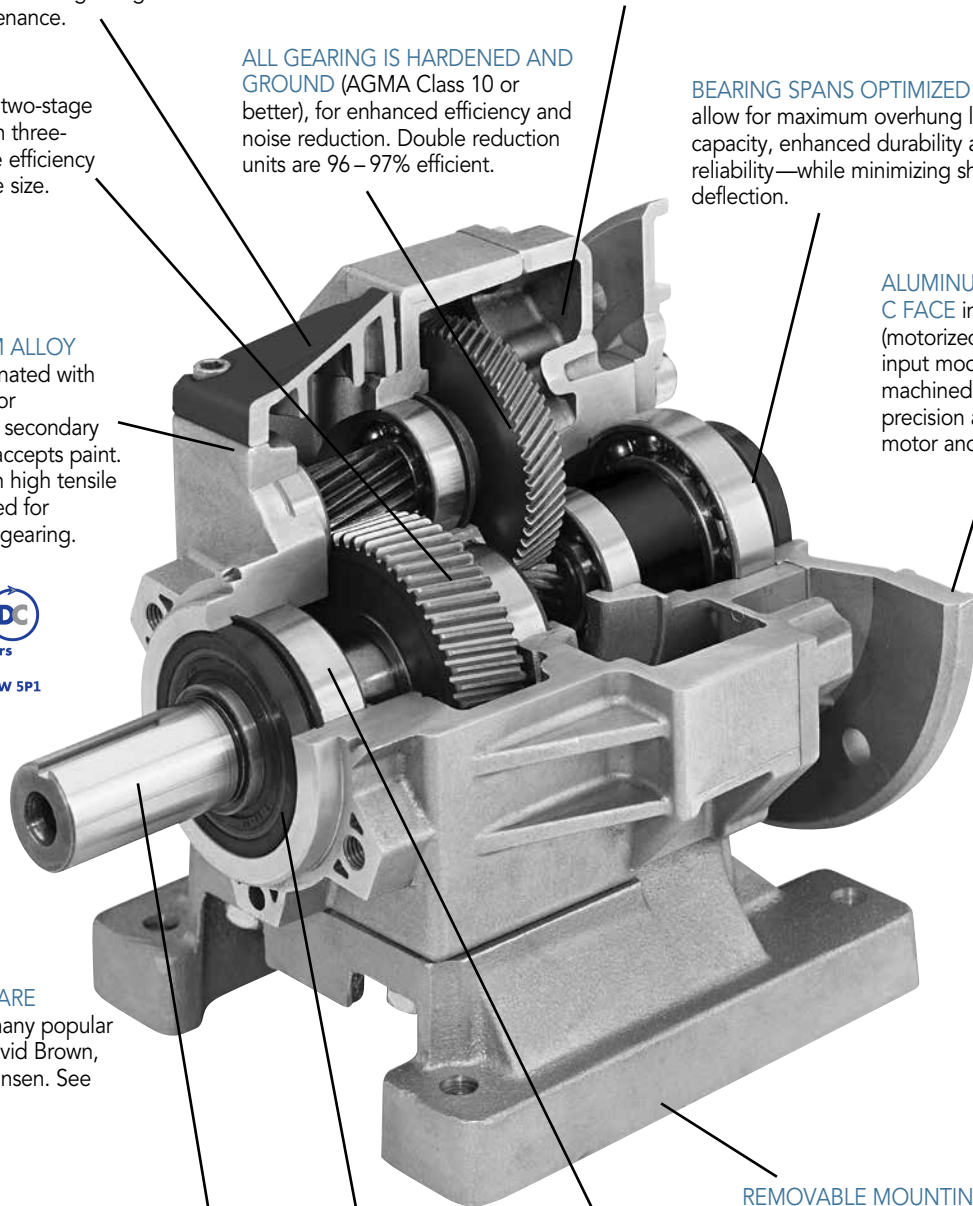
BEARING SPANS OPTIMIZED to allow for maximum overhung load capacity, enhanced durability and reliability—while minimizing shaft deflection.

SINGLE-PIECE ALUMINUM ALLOY HOUSING vacuum impregnated with Resinol RT (MIL-STD 276) for protection and sealing. No secondary finish required but readily accepts paint. Combines light weight with high tensile strength. Precision machined for alignment of bearings and gearing.

ALUMINUM NEMA C FACE input flange (motorized quill input models) with machined fits for precision alignment of motor and bearings.

DRIVE CENTRE 
Industrial Automation Systems Integrators

57 Galaxy Blvd., Units 1 & 2, Toronto, ON M9W 5P1
TEL: (416) 231-6767
www.drivecentre.ca



MOUNTING DIMENSIONS ARE INTERCHANGEABLE with many popular reducers, including SEW, David Brown, Nord, Dodge, and Brook Hansen. See pages 54-55 for details.

ROBUST OUTPUT SHAFT of high strength steel alloy for superior torque and overhung load capacities.

PERMANENTLY MARKED NAMEPLATE with output torque, ratio and maximum input horsepower.

PREMIUM VITON® SEALS provide extra protection against entry of contaminants or loss of lubrication. Tandem seals available on input and output.

REMOVABLE MOUNTING BASE allows interchange with dozens of competitive units.

BOLT-ON OUTPUT FLANGE also available to allow interchange with many industry-standard sizes.

OVERSIZED BALL BEARINGS on both input and output shafts.

Hub City Poweratio® 4000 & Spartan™ Helical In-Line Drives

Poweratio® High Efficiency Helical In-Line Drives 4000

Seven sizes with ratings up to 125HP or 25,000 in-lbs., and ratios from 2.25 up to 3334:1.



Lubrication

Filled with high quality gear lubricant at the factory.

Motors

Motors produced by Marathon Electric or Lincoln Motors for high efficiency, reliability and durability. See Section E.

Integral Gear Motors

Seven sizes available up to 5 HP

Ratios

Double reduction, triple reduction, and quad reduction (compound drives) readily assembled from stock modules. Double reduction up to 50:1, and triple reduction up to 325:1 provide greater ratio capability with fewer components.

Mounting

Foot mounting or flange mounting to interchange with major competitors. shaft Input, c-frame quill input, or gearmotor assemblies to provide complete drive package.

Contemporary Design

Rugged cast iron housings are accurately machined for precision operation, high strength and reliability.

Gearing

Precision crowned gears for smooth operation, high strength and durability.

Shafts

Alloy steel shafts plunge ground for accuracy and fine surface finish.

Bearings

Ball and tapered roller bearings generously sized for long life and high reliability.

Seals

Double lip seals on exposed shafts for enhanced protection and dependable sealing. Single lip seals on motor quill input for cooler running.

Hub City Poweratio® 4000 & Spartan™ Helical In-Line Drives

Style Selection

Wide Range of Styles:

Double or Triple Reduction, Base or Flange Mount!

Hub City Helical-Inline reducers are available in a wide range of styles to meet the ever increasing needs of the market place. To start the selection process, choose between the rugged Poweratio® 4000 cast iron designs or the lightweight Spartan™ aluminum reducers. Choose between a motorized or non-motorized basic design. Then select either a base mount or an output flange mount model.

To make your job even easier, you can order your Hub City reducers ready-to-run by selecting from any of the power-matched Marathon motors from Section E. Or create your own combination by selecting from hundreds of Marathon motors available in the Marathon catalog or at www.marathonelectric.com. Your GEAR+MOTOR™ package can come with the motor mounted to the reducer or ready to install.

Direct Interchange Charts

Spartan™ reducers serve as dependable, bolt-in replacements for many popular brands.

	FOOT MOUNT	FLANGE MOUNT
SEW	✓	✓
Bonfiglioli	✓ ▲	✓
Brook Hansen	✓	✓
Browning	✓	✓
David Brown	✓	✓
Dodge Quantis	✓	✓
Falk	✓	✓
Flender/Motox	✓	✓

	FOOT MOUNT	FLANGE MOUNT
Hansen	✓ ▲	✓
Lenze	✓	✓
Leroy Somer	✓	✓
Motovario	✓ ▲	✓
Nord	✓	✓
Stober	✓ ▲	✓
Sterlin	✓	✓
Sumitomo	✓ ▲	✓

▲ ONLY SPARTAN SERIES OFFERS DIRECT BOLT-IN REPLACEMENT.

Hub City Poweratio® 4000 & Spartan™ Helical In-Line Drives

Flexible Configurations to Fit Your Application

Choose from

- Double Reduction
Ratios from 2.26 to 61.80*
- Triple Reduction
Ratios from 33/1 to 378/1*
- Quad Reduction (Cast Iron Only)
Ratios from 293/1 to 3334/1*

Choose an input mounting type

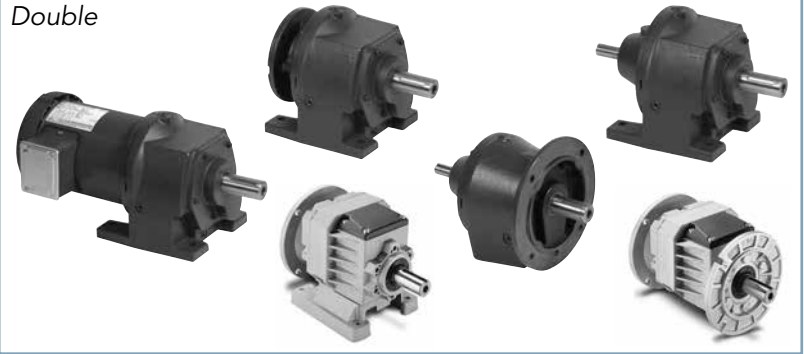
- Integral Gearmotor
- C-Face Input
- Shaft Input

Choose an output mounting style

- Foot Mount
- Flange Mount

* RATIOS VARY SPECIFIC TO MODEL

Double



Triple



Quad



Ratio Multipliers

- One Cast Iron Model, One Aluminum Model (see Section F), One Stainless Steel Model (See Section O)
- Ratios available from 2:1 to 7.5:1
- Can be used as reducer or increaser.
- Provides additional reduction capability when mounted onto Helical Gear Reducer or Worm Gear Reducer
- C-flange or solid input shaft.
- Helical gearing.
- Double lip seals.
- Base mounting available.
- Permanently lubricated at factory.



CleanLine™ premium washdown duty units available, see page O-5 for features. Metric versions available. Consult Factory for availability, details and specifications.

Hub City Poweratio® 4000 & Spartan™ Helical In-Line Drives

Selection Procedure

Hub City provides two methods of selection for Reducers and Gearmotors.

On pages I-11 to I-47, the Selection Tables by Input HP can be used whenever the Input HP requirement is known. This method is commonly used for Gearmotors, but can also be used for Reducers.

On pages I-54 to I-57 and I-62 to I-69, the Input HP and Output Torque Ratings are provided for each model. These rating tables can be used for Reducers and Gearmotors.

Selection by Input HP

For selection by Input H.P., determine the Input HP, Output Speed and Load Classification (Service Factor) requirements. (See page I-7, A-2 and A-5 to A-8 for AGMA Load Classification and Service Factors.) Then refer to Selection Tables by Input HP, locate the required HP and Output Speed, and read across to the required foot or flange mount unit.

These tables also list the Service Factor for the unit indicated. In many cases, more than one unit is listed, to provide different service factors. Select the unit with a service factor that meets or exceeds the requirement of the application.

Check the Output Overhung Load or Output Thrust rating and Output Torque to verify they meet the requirements. (The Output Torque listed is the actual torque obtained with the motor HP listed, not the rated torque.) Then refer to the dimension tables to check the unit dimensions.

If a Reducer with C-Frame input is desired, the available frame sizes for each Reducer model are shown in the dimension tables. Specify the description as shown on page I-8.

If a Motorized Reducer is desired, make the motor selection with compatible C-Frame size, from the motors listed in Section E. Specify either the catalog number or the complete description of the motor, in addition to the Reducer description.

The selection tables indicate which units are available as Integral Gearmotors. If an Integral Gearmotor is desired, refer to the dimension tables on pages I-48 to I-53 for

dimensions with all available motor sizes. Specify the motor H.P. in addition to the Reducer description.

Reducers may be ordered with other C-Frame sizes. The available frame sizes for each reducer model are shown in the dimension tables.

Selection From Unit Rating Tables by Input HP or Output Torque

Determine the actual Input H.P. or Output Torque required, Output Speed, and required Service Factor. Multiply the actual H.P. or torque by the required service factor to obtain the required rating of the Reducer. Refer to the Unit Rating Tables by Model and Output Speed, until you locate the model that meets or exceeds the required H.P. or Torque rating.

The actual service factor can be determined by dividing the unit rating by the actual H.P. or Torque.

Check the Input and Output overhung load ratings, and thrust rating to verify they meet the requirement. Then refer to the dimension tables to check the unit dimensions.

Available motor C-Frame sizes for each reducer model are shown in the dimension tables.

Efficiency

Helical Gearing and Ball or Tapered Roller Bearings provide a drive with very high efficiency. The approximate efficiency is 97.5% per gear stage.

Overhung Loads and Thrust Loads

Overhung load and thrust ratings are listed in the Selection and Rating Tables. Note that OHL and Thrust Ratings cannot be applied simultaneously. Consult Hub City for applications with combined OHL and thrust load.

Brakemotors

Braking torque must not exceed the rated capacity of the unit.

Hub City Poweratio® 4000 & Spartan™ Helical In-Line Drives

Service Factors

Load Classification Numbers and Service Factors are used in the selection of Gearmotors and Reducers. The relationship between load class numbers and service factors is shown in Table 2.

The Load Class Numbers are designated for Gearmotors which have a uniform power source (i.e. Electric Motor). They consider the type of load and also the duration of service.

The Service Factors are designated for Reducers and consider other power sources (such as Internal Combustion Engines), as well as the type of load and duration of service.

Table 1 and Table 2 list Service Factors and Load Classes for general use.

AGMA Load Classification and Service Factor tables on pages A-5 to A-8 provide approximate service factors for various types of machinery. The service factors are based on uniform power source (i.e. electric motor). Use the service factor conversion table on page A-2 to obtain service factors for internal combustion engines.

All the Class Number and Service Factor charts are to be used as general guidelines for assistance in determining the required service factor. Rely on past experience as well. Consult the factory for severe applications, when there are safety considerations, or a need for extra high reliability.

Refer to page A-2 for further information and cautions on the selection of proper service factors.

Occasional starting loads up to 200% of catalog rating are permissible.

TABLE 1 — SERVICE FACTORS

PRIME MOVER	DURATION OF SERVICE PER DAY (1)	DRIVEN MACHINE LOAD CLASSIFICATION		
		UNIFORM	MEDIUM SHOCK	HEAVY SHOCK
Electric Motor	Occasional 1/2 hr.	*	*	1.25
	Intermittent 3 hrs.	*	1.00	1.50
	3 - 10 hours	1.00	1.25	1.75
	Over 10 hours	1.25	1.50	2.00
Electric Motor With Frequent Starts and Stops (2)	Occasional 1/2 hr.	*	1.00	1.50
	Intermittent 3 hrs.	1.00	1.25	1.75
	3 - 10 hours	1.25	1.50	2.00
	Over 10 hours	1.50	1.75	2.25
Multi-Cylinder Internal Combustion Engine	Occasional 1/2 hr.	*	1.00	1.50
	Intermittent 3 hrs.	1.00	1.25	1.75
	3 - 10 hours	1.25	1.50	2.00
	Over 10 hours	1.50	1.75	2.25
Single Cylinder Internal Combustion Engine	Occasional 1/2 hr.	1.00	1.25	1.75
	Intermittent 3 hrs.	1.25	1.50	2.00
	3 - 10 hours	1.50	1.75	2.25
	Over 10 hours	1.75	2.00	2.50
Reversing Service Application		Consult Factory		

* UNSPECIFIED SERVICE FACTORS SHOULD BE 1.0 OR AS AGREED UPON BY USER AND MANUFACTURER.

Explanatory Notes

1. Time specified for intermittent and occasional service refers to total operating time per day.
2. Term "frequent starts and stops" refers to more than 10 starts per hour.

TABLE 2 — LOAD CLASSIFICATION NUMBERS

LOAD CLASS (S.F.)	UP TO 3 HRS. TOTAL OPERATION PER DAY	3 TO 10 HRS. TOTAL OPERATION PER DAY	OVER 10 HRS. TOTAL OPERATION PER DAY
I (1.0)	Moderate Shock Load	Uniform Load	
II (1.4)	Heavy Shock Load	Moderate Shock Load	Uniform Load
III (2.0)		Heavy Shock Load	Moderate Shock Load

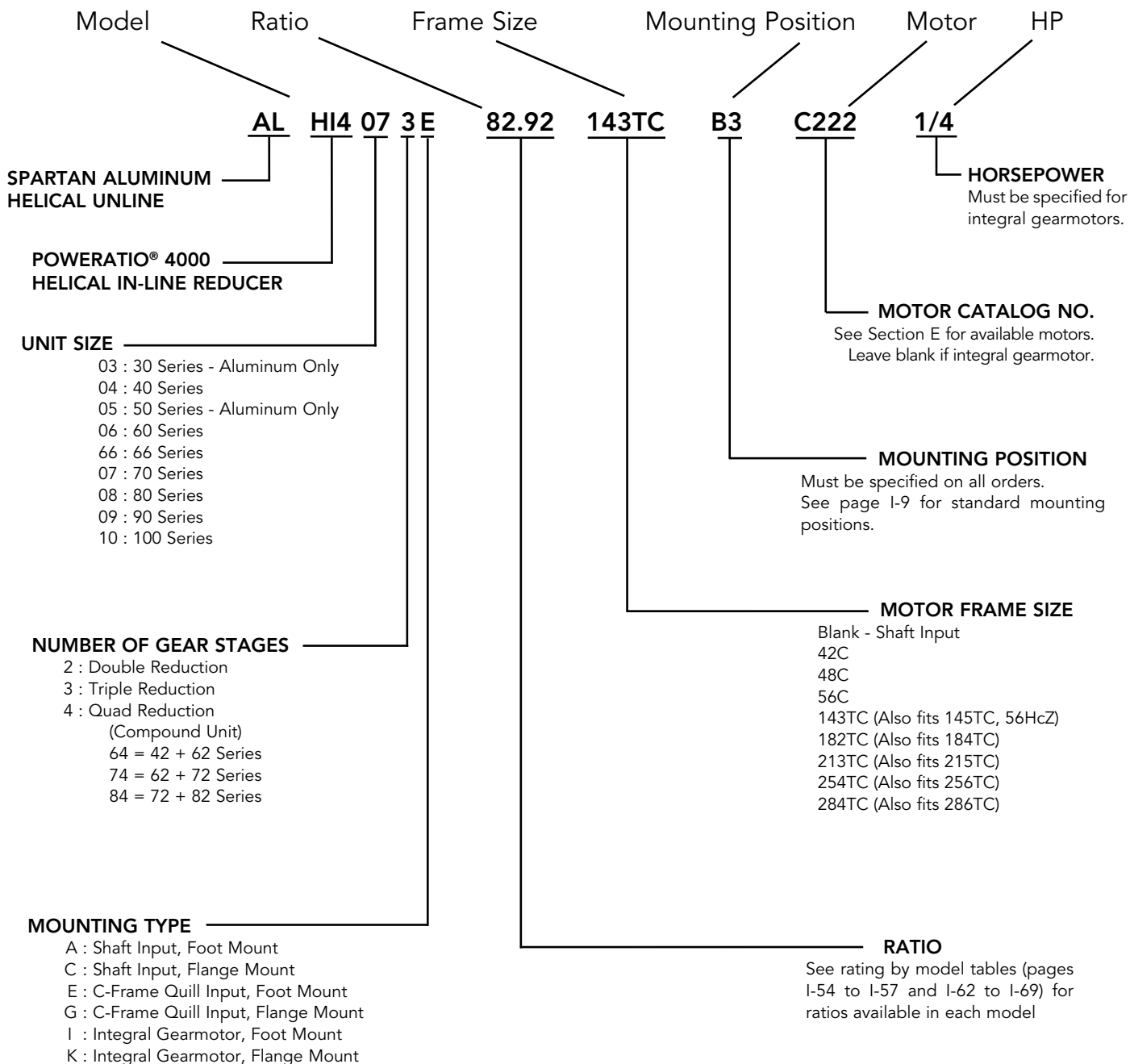
Hub City Poweratio® 4000 & Spartan™ Helical In-Line Drives

Descriptions

Descriptions for Ordering Reducers and Gearmotors

The Mounting position must be specified on all orders, and included in the reducer description. To order Motorized Reducers, simply specify the reducer, indicate the motor description or catalog number and specify "Motorized Assembly". To order Integral Gearmotors,

simply specify the reducer, motor horsepower and "Integral Gearmotor". Integral Gearmotors in this catalog are supplied with 3 phase 230/460v totally enclosed 1750 rpm general purpose motors.

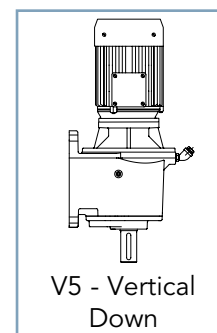
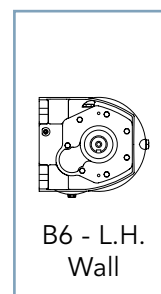
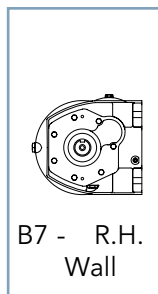
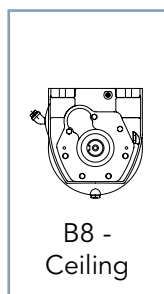
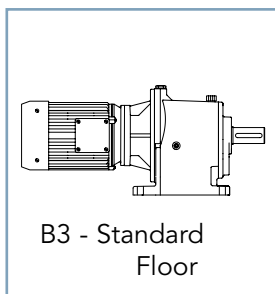


Hub City Poweratio® 4000 & Spartan™ Helical In-Line Drives

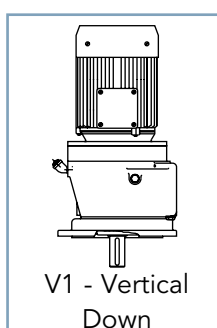
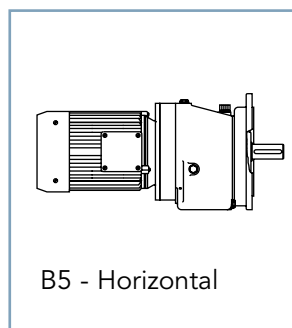
Mounting Positions

Mounting position must be specified on all orders, and included in the reducer description, so the correct amount of oil is installed at the factory. (Refer to Section S for lubrication information.)

Mounting Positions - Foot Mounted Reducers and Gearmotors



Mounting Positions - Flange Mounted Reducers and Gearmotors



FOR MOUNTING POSITIONS NOT SHOWN, CONTACT FACTORY.

Motor Descriptions

Available motors and motor data are listed in Section E. Either specify the catalog number or the complete description: HP, RPM, VOLTS, SINGLE OR THREE PHASE, C-FRAME SIZE, ENCLOSURE GENERAL PURPOSE OR OPTIONAL TYPES: WASHDOWN DUTY, INVERTER DUTY, BRAKEMOTOR.

Motorized Reducers & Gearmotors

The Reducer and Motor are assembled at the factory, and filled with the proper quantity of lubricant based on your specified mounting position. Integral Gearmotors in this catalog are supplied with 3 phase 230/460v totally enclosed, fan cooled (TEFC) 1750 rpm general purpose motors. Special integral gearmotors are available. Consult the factory for details.

Standard Integral Gearmotors and Motorized Reducers are assembled at the factory with the conduit box and the conduit opening at the position illustrated in the dimensional section of this catalog. The user may rotate the body of the motor to reposition the conduit box (in 90° increments from original position). The conduit opening may also be repositioned at 90° increments from the original position. Both operations may be performed without disassembling the drive.

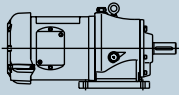
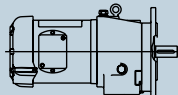
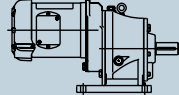
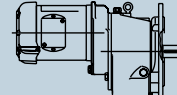
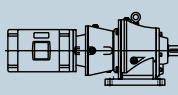
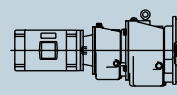
Backstops

Backstops are available as factory options for applications that require the prevention of reverse rotation. Backstops must be factory assembled. Consult the factory for details.

Hub City Poweratio® 4000 & Spartan™ Helical In-Line Drives

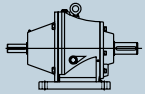
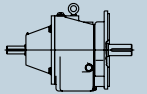
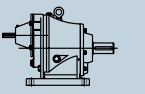
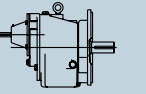
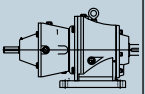
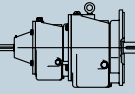
Model Index

Integral Gearmotors

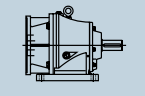
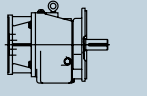
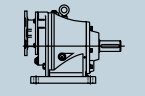
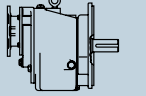
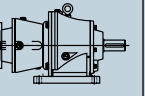
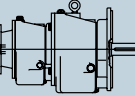
DOUBLE REDUCTION		TRIPLE REDUCTION		QUAD REDUCTION	
					
Page I-48 Foot	Page I-49 Flange	Page I-50 Foot	Page I-51 Flange	Page I-52 Foot	Page I-53 Flange

MOTORIZED MODELS ARE SAME AS C-FRAME QUILL MODELS. SIMPLY ORDER THE DESIRED C-FRAME REDUCER, SPECIFY THE MOTOR, AND SPECIFY "MOTORIZED ASSEMBLY".

Shaft Input

SERIES	DOUBLE REDUCTION				TRIPLE REDUCTION				QUAD REDUCTION		
											
	ALUMINUM	CAST IRON	ALUMINUM	CAST IRON	ALUMINUM	CAST IRON	ALUMINUM	CAST IRON	CAST IRON	CAST IRON	
30	ALHI4032A Page I-60		ALHI4032C Page I-61		ALHI4033A Page I-60		ALHI4033C Page I-61				
40	ALHI4042A Page I-60	HI4042A Page I-71	ALHI4042C Page I-61	HI4042C Page I-73	ALHI4043A Page I-60	HI4043A Page I-75	ALHI4043C Page I-61	HI4043C Page I-77			
50	ALHI4052A Page I-60		ALHI4052C Page I-61		ALHI4053A Page I-60		ALHI4053C Page I-61				
60	ALHI4062A Page I-60	HI4062A Page I-71	ALHI4062C Page I-61	HI4062C Page I-73	ALHI4063A Page I-60	HI4063A Page I-75	ALHI4063C Page I-61	HI4063C Page I-77	HI4064A Page I-79	HI4064C Page I-81	
66		HI4662A Page I-71		HI4662C Page I-73		HI4663A Page I-75		HI4663C Page I-77	HI4664A Page I-79	HI4664C Page I-81	
70		HI4072A Page I-71		HI4072C Page I-73		HI4073A Page I-75		HI4073C Page I-77	HI4074A Page I-79	HI4074C Page I-81	
80		HI4082A Page I-71		HI4082C Page I-73		HI4083A Page I-75		HI4083C Page I-77	HI4084A Page I-79	HI4084C Page I-81	
90		HI4092A Page I-71		HI4092C Page I-73		HI4093A Page I-75		HI4093C Page I-77	HI4094A Page I-79	HI4094C Page I-81	
100		HI4102A Page I-71		HI4102C Page I-73		HI4103A Page I-75		HI4103C Page I-77	HI4104A Page I-79	HI4104C Page I-81	

C-Frame Quill Input

SERIES	DOUBLE REDUCTION				TRIPLE REDUCTION				QUAD REDUCTION		
											
	ALUMINUM	CAST IRON	ALUMINUM	CAST IRON	ALUMINUM	CAST IRON	ALUMINUM	CAST IRON	CAST IRON	CAST IRON	
30	ALHI4032E Page I-58		ALHI4032G Page I-59		ALHI4033E Page I-58		ALHI4033G Page I-59				
40	ALHI4042E Page I-58	HI4042E Page I-70	ALHI4042G Page I-59	HI4042G Page I-72	ALHI4043E Page I-58	HI4043E Page I-74	ALHI4043G Page I-59	HI4043G Page I-76			
50	ALHI4052E Page I-58		ALHI4052G Page I-59		ALHI4053E Page I-58		ALHI4053G Page I-59				
60	ALHI4062E Page I-58	HI4062E Page I-70	ALHI4062G Page I-59	HI4062G Page I-72	ALHI4063E Page I-58	HI4063E Page I-74	ALHI4063G Page I-59	HI4063G Page I-76	HI4064E Page I-78	HI4064G Page I-80	
66		HI4662E Page I-70		HI4662G Page I-72		HI4663E Page I-74		HI4663G Page I-76	HI4664E Page I-78	HI4664G Page I-80	
70		HI4072E Page I-70		HI4072G Page I-72		HI4073E Page I-74		HI4073G Page I-76	HI4074E Page I-78	HI4074G Page I-80	
80		HI4082E Page I-70		HI4082G Page I-72		HI4083E Page I-74		HI4083G Page I-76	HI4084E Page I-78	HI4084G Page I-80	
90		HI4092E Page I-70		HI4092G Page I-72		HI4093E Page I-74		HI4093G Page I-76	HI4094E Page I-78	HI4094G Page I-80	
100		HI4102E Page I-70		HI4102G Page I-72		HI4103E Page I-74		HI4103G Page I-76	HI4104E Page I-78	HI4104G Page I-80	

Hub City Poweratio® 4000 & Spartan™ Helical In-Line Drives

Quick Start Guide To Selection Tables

HP	OUTPUT SPEED	OUTPUT TORQUE	RATIO	SERVICE FACTOR	OUTPUT OHL	OUTPUT THRUST	GEAR STAGES	MODEL*	INTEGRAL GEARMOTOR	
1/4	3.20	4.47	1.70	1600	1400	4	HI4064	Available		
		4.50	1.57	1600	1400	4	HI4064	Available		
		4.52	2.64	2240	1620	3	HI4073	Available		
		4.09	1.89	1700	1500	3	HI4663	Available		
		4.84	2.49	2240	1620	4	HI4074	Available		
		4.92	2.40	2240	1620	4	HI4074	Available		
		4.70	1.40	1600	1400	4	HI4064	Available		
		4.93	1.81	1700	1500	4	HI4664	Available		
		4.38	3312	399.90	1.25	1600	1400	4	HI4064	Available
		4.37	3388	400.36	2.14	2240	1620	4	HI4074	Available
1/4	3.20	4.22	3433	414.47	1.56	1700	1500	4	HI4664	Available
		3.94	3683	444.68	1.46	1700	1500	4	HI4664	Available
		3.93	3767	445.13	1.93	2240	1620	4	HI4074	Available
		3.58	4051	489.11	1.33	1700	1500	4	HI4664	Available
		3.33	4347	524.75	1.24	1700	1500	4	HI4664	Available
		3.26	4542	536.67	3.02	3800	2400	4	HI4084	Available
		3.20	4622	546.12	1.57	2240	1620	4	HI4074	Available
		3.05	4757	574.33	1.13	1700	1500	4	HI4664	Available
		2.70	5476	646.98	2.50	3800	2400	4	HI4084	Available
		2.69	5497						HI4074	Available
1/4	3.20	2.18	6783					HI4084	Available	
		2.18	6797					HI4074	Available	
		2.05	7238					HI4074	Available	
		1.76	8402					HI4084	Available	
		1.50	9896					HI4084	Available	
		1.45	10209					HI4094	Available	
		1.45	10209					HI4084	Available	
		1.45	10209					HI4094	Available	
		1.45	10209					HI4084	Available	
		1.45	10209					HI4084	Available	
1/4	3.20	1.08	13669	1615.11	2.79	6500	53	HI4094	Available	
		1.02	14501	1713.43	1.83	4460	34	HI4094	Available	
		0.92	16111	1903.62	1.65	4460	34	HI4094	Available	
		0.83	17880	2112.65	1.49	4460	34	HI4094	Available	
		0.65	22674	2679.05	1.17	4460	34	HI4094	Available	
		0.58	25398	3000.92	1.05	4460	34	HI4094	Available	
		1.08	13669	1615.11	2.79	6500	53	HI4094	Available	
		1.02	14501	1713.43	1.83	4460	34	HI4094	Available	
		0.92	16111	1903.62	1.65	4460	34	HI4094	Available	
		0.83	17880	2112.65	1.49	4460	34	HI4094	Available	

2. Find appropriate Selection by Input HP page (Beginning on page I-12)

1. Determine Input Horsepower, Output Speed and Load Classification (see Section A).

3. Locate Desired Output speed

4. Locate Required Service Factor (For Help refer to page I-7)

5. Check the Output OHL, output thrust, and Output torque ratings to verify they meet your requirements (Output torque listed is the actual torque obtained by the motor HP listed, not the rated torque).

6. Read across to select model number. Refer to Page I-8 for Mounting type and Ordering information.

IN THIS CATALOG:
 HP = Horsepower
 Output torque is displayed in inch pounds (in. lbs.)
 OHL = Over hung load (measured at centerline of output shaft)
 Service Factor is based on maximum rated torque of gear drive

* INTEGRAL GEARMOTORS - SPECIFY MOUNTING TYPE I OR K, AND MOTOR HORSEPOWER (SEE PAGE I-8). CONSULT FACTORY FOR AVAILABILITY.
 * MOTORIZED REDUCERS - SPECIFY MOUNTING TYPE E OR G, AND MOTOR PART NUMBER (SEE SECTION E)
 ALL TORQUE VALUES LISTED IN INCH-POUNDS, ALL OVERHUNG LOAD AND THRUST LOAD VALUES LISTED IN POUNDS.
 THE POINT OF APPLICATION OF OHL IS CONSIDERED TO BE APPLIED AT THE MIDPOINT OF SHAFT EXTENSION.
 OHL AND THRUST RATINGS CANNOT BE APPLIED SIMULTANEOUSLY. CONSULT THE FACTORY FOR APPLICATIONS WITH COMBINED OHL AND THRUST LOAD.
 AT SPEEDS ABOVE 1750 RPM, UNITS MAY BECOME THERMALLY LIMITED. FOR EXTENDED OPERATION, LIMIT HP TO 1750 RPM RATING.



Hub City Poweratio® 4000 & Spartan™ Helical In-Line Drives

Selection By Input H.P. @ 1750 RPM

HP	OUTPUT SPEED	OUTPUT TORQUE	RATIO	SERVICE FACTOR	OUTPUT OHL	OUTPUT THRUST	GEAR STAGES	MODEL*	INTEGRAL GEARMOTOR
1/4	405	37	4.32	16.12	216	29	2	ALHI4032	
	318	48	5.50	12.66	230	31	2	ALHI4032	
	275	55	6.36	10.94	250	32	2	ALHI4032	
	241	63	7.26	9.59	260	34	2	ALHI4032	
	222	68	7.89	8.84	266	37	2	ALHI4032	
	174	87	10.04	9.18	284	43	2	ALHI4032	
	150	101	11.64	7.91	293	55	2	ALHI4032	
	132	115	13.26	6.96	305	58	2	ALHI4032	
	114	133	15.37	6.01	321	61	2	ALHI4032	
	108	140	16.20	5.70	335	63	2	ALHI4032	
	105	144	16.66	12.50	980	1250	2	HI4042	Available
	93	163	18.80	4.91	350	65	2	ALHI4032	
	81	187	21.54	4.27	374	67	2	ALHI4032	
	79	191	22.26	4.17	375	67	2	ALHI4032	
	70	216	25.04	8.41	1150	1250	2	HI4042	
	67	226	26.30	5.13	615	121	2	ALHI4042	Available
	67	226	26.30	3.53	420	76	2	ALHI4032	
	61	249	28.79	7.35	1150	1250	2	HI4042	
	60	252	29.40	4.72	629	135	2	ALHI4042	
	60	252	29.40	3.17	435	76	2	ALHI4032	
	52	291	33.50	4.09	645	135	3	ALHI4043	Available
	52	282	33.50	2.83	459	85	3	ALHI4033	
	49	315	35.90	3.68	658	135	2	ALHI4042	
	49	315	35.90	2.53	470	81	2	ALHI4032	
	48	316	36.56	5.82	1150	1250	2	HI4042	
	46	329	38.37	3.43	663	135	2	ALHI4042	
	46	329	38.34	3.40	663	135	3	ALHI4043	Available
	46	329	38.37	2.43	478	81	2	ALHI4032	
	40	381	44.10	4.85	1150	1250	2	HI4042	
	40	378	43.69	3.14	674	135	3	ALHI4043	
	40	378	43.69	2.11	495	85	3	ALHI4033	Available
	37	409	46.80	2.61	674	135	2	ALHI4042	
	37	409	46.80	1.95	507	85	2	ALHI4032	
	35	436	50.47	4.06	1150	1250	2	HI4042	
	35	419	50.64	2.84	674	135	3	ALHI4043	
	35	419	50.67	2.69	674	135	2	ALHI4042	
	35	432	50.64	1.85	510	85	3	ALHI4033	Available
	33	444	53.40	2.62	674	135	3	ALHI4043	
	33	458	53.40	1.74	520	85	3	ALHI4033	
	32	458	54.73	5.23	1041	225	3	ALHI4053	
31	473	57.13	5.07	1050	225	3	ALHI4053		
29.0	512	60.54	3.61	1150	1250	3	HI4043		
28.6	513	61.22	2.32	674	135	3	ALHI4043	Available	
28.6	505	61.22	1.58	525	85	3	ALHI4033		
28.0	523	61.80	2.04	674	135	2	ALHI4042		
26.0	564	66.22	4.25	1075	225	3	ALHI4053		
25.0	586	70.95	1.36	540	85	3	ALHI4033	Available	
25.0	586	70.95	1.15	674	135	3	ALHI4043		
25.0	586	70.95	1.15	674	135	3	ALHI4043		
24.1	615	72.63	3.01	1150	1250	3	HI4043		

* INTEGRAL GEARMOTORS - SPECIFY MOUNTING TYPE I OR K, AND MOTOR HORSEPOWER (SEE PAGE I-8). CONSULT FACTORY FOR AVAILABILITY.

* MOTORIZED REDUCERS - SPECIFY MOUNTING TYPE E OR G, AND MOTOR PART NUMBER (SEE SECTION E)

ALL TORQUE VALUES LISTED IN INCH-POUNDS, ALL OVERHUNG LOAD AND THRUST LOAD VALUES LISTED IN POUNDS.

THE POINT OF APPLICATION OF OHL IS CONSIDERED TO BE APPLIED AT THE MIDPOINT OF SHAFT EXTENSION.

OHL AND THRUST RATINGS CANNOT BE APPLIED SIMULTANEOUSLY. CONSULT THE FACTORY FOR APPLICATIONS WITH COMBINED OHL AND THRUST LOAD.

AT SPEEDS ABOVE 1750 RPM, UNITS MAY BECOME THERMALLY LIMITED. FOR EXTENDED OPERATION, LIMIT HP TO 1750 RPM RATING.

Hub City Poweratio® 4000 & Spartan™ Helical In-Line Drives

Selection By Input H.P. @ 1750 RPM

HP	OUTPUT SPEED	OUTPUT TORQUE	RATIO	SERVICE FACTOR	OUTPUT OHL	OUTPUT THRUST	GEAR STAGES	MODEL*	INTEGRAL GEARMOTOR
1/4	24.0	611	73.33	1.83	674	135	3	ALHI4043	Available
	23.0	637	74.50	1.82	674	135	3	ALHI4043	
	22.1	670	79.17	2.76	1150	1250	3	HI4043	
	21.0	698	82.30	3.43	1091	225	3	ALHI4053	
	20.0	733	86.80	1.59	674	135	3	ALHI4043	
	19.0	771	92.78	3.11	1102	225	3	ALHI4053	Available
	18.9	785	92.74	2.36	1150	1250	3	HI4043	
	18.0	814	96.85	1.46	674	135	3	ALHI4043	
	17.4	853	100.76	2.17	1150	1250	3	HI4043	
	17.0	862	104.68	2.78	1112	225	3	ALHI4053	
	17.0	862	102.80	1.36	674	135	3	ALHI4043	Available
	15.2	975	115.15	1.90	1150	1250	3	HI4043	
	15.0	977	117.22	1.85	1124	225	3	ALHI4053	
	14.4	1026	121.28	1.80	1150	1250	3	HI4043	
	14.0	1047	126.65	2.29	1130	225	3	ALHI4053	
	13.1	1127	133.14	1.64	1150	1250	3	HI4043	Available
	13.0	1127	135.74	1.61	1136	225	3	ALHI4053	
	12.0	1221	145.68	2.76	1475	292	3	ALHI4063	
	12.0	1221	145.68	1.96	1150	225	3	ALHI4053	
	11.7	1263	149.23	3.28	1600	1400	3	HI4063	
	11.3	1306	154.35	1.42	1150	1250	3	HI4043	Available
	11.0	1350	159.46	3.07	1600	1400	3	HI4063	
	11.0	1332	157.40	2.53	1492	292	3	ALHI4063	Available
	11.0	1332	164.23	1.80	1186	225	3	ALHI4053	
	9.9	1493	176.40	1.24	1150	1250	3	HI4043	Available
	9.7	1523	180.00	2.72	1600	1400	3	HI4063	
	9.4	1559	185.29	2.16	1498	292	3	ALHI4063	Available
	9.4	1559	185.29	1.54	1186	225	3	ALHI4053	
	9.2	1618	191.13	3.32	1700	1500	3	HI4663	Available
	8.6	1704	204.12	1.98	1502	292	3	ALHI4063	
	8.6	1704	204.12	1.41	1186	225	3	ALHI4053	Available
	8.6	1726	203.96	1.07	1150	1250	3	HI4043	
	8.5	1743	206.00	2.37	1600	1400	3	HI4063	Available
	7.8	1888	223.03	2.84	1700	1500	3	HI4663	
	7.8	1879	224.18	1.79	1510	292	3	ALHI4063	
	7.6	1937	228.92	3.75	2240	1620	3	HI4073	Available
	7.2	2068	244.29	2.00	1600	1400	3	HI4063	
	6.3	2366	279.57	1.75	1600	1400	3	HI4063	Available
	6.3	2326	278.62	1.45	1510	292	3	ALHI4063	
	6.2	2400	283.56	3.03	2240	1620	3	HI4073	Available
	6.0	2478	292.80	2.17	1700	1500	3	HI4663	
	6.0	2431	293.47	1.70	1600	1400	4	HI4064	Available
	5.49	2638	318.50	1.57	1600	1400	4	HI4064	
	5.39	2747	324.52	2.64	2240	1620	3	HI4073	Available
	5.22	2836	335.09	1.89	1700	1500	3	HI4663	
	5.07	2919	344.84	2.49	2240	1620	4	HI4074	Available
	4.90	3021	356.92	2.40	2240	1620	4	HI4074	
	4.89	2965	357.93	1.81	1700	1500	4	HI4664	Available
	4.89	2963	357.70	1.40	1600	1400	4	HI4064	
	4.38	3312	399.90	1.25	1600	1400	4	HI4064	

* INTEGRAL GEARMOTORS - SPECIFY MOUNTING TYPE I OR K, AND MOTOR HORSEPOWER (SEE PAGE I-8). CONSULT FACTORY FOR AVAILABILITY.

* MOTORIZED REDUCERS - SPECIFY MOUNTING TYPE E OR G, AND MOTOR PART NUMBER (SEE SECTION E)

ALL TORQUE VALUES LISTED IN INCH-POUNDS, ALL OVERHUNG LOAD AND THRUST LOAD VALUES LISTED IN POUNDS.

THE POINT OF APPLICATION OF OHL IS CONSIDERED TO BE APPLIED AT THE MIDPOINT OF SHAFT EXTENSION.

OHL AND THRUST RATINGS CANNOT BE APPLIED SIMULTANEOUSLY. CONSULT THE FACTORY FOR APPLICATIONS WITH COMBINED OHL AND THRUST LOAD.

AT SPEEDS ABOVE 1750 RPM, UNITS MAY BECOME THERMALLY LIMITED. FOR EXTENDED OPERATION, LIMIT HP TO 1750 RPM RATING.

Poweratio® 4000 & Spartan™ Helical In-Line Drives

Hub City Poweratio® 4000 & Spartan™ Helical In-Line Drives

Selection By Input H.P. @ 1750 RPM

HP	OUTPUT SPEED	OUTPUT TORQUE	RATIO	SERVICE FACTOR	OUTPUT OHL	OUTPUT THRUST	GEAR STAGES	MODEL*	INTEGRAL GEARMOTOR	
1/4	4.37	3388	400.36	2.14	2240	1620	4	HI4074	Available	
	4.22	3433	414.47	1.56	1700	1500	4	HI4664		
	3.94	3683	444.68	1.46	1700	1500	4	HI4664		
	3.93	3768	445.16	3.64	3800	2400	4	HI4084		
	3.93	3767	445.13	1.93	2240	1620	4	HI4074		
	3.83	3789	457.48	1.09	1600	1400	4	HI4064	Available	
	3.58	4051	489.11	1.33	1700	1500	4	HI4664		
	3.33	4347	524.75	1.24	1700	1500	4	HI4664		
	3.26	4542	536.67	3.02	3800	2400	4	HI4084		
	3.20	4622	546.12	1.57	2240	1620	4	HI4074		
	3.05	4757	574.33	1.13	1700	1500	4	HI4664	Available	
	2.70	5476	646.98	2.50	3800	2400	4	HI4084		
	2.69	5497	649.47	1.32	2240	1620	4	HI4074		
	2.18	6783	801.43	2.02	3800	2400	4	HI4084		
	2.18	6797	803.08	1.07	2240	1620	4	HI4074		
	2.05	7238	855.21	1.00	2240	1620	4	HI4074	Available	
	1.76	8402	992.73	1.63	3800	2400	4	HI4084		
	1.50	9896	1169.33	1.38	3800	2400	4	HI4084		
	1.45	10209	1206.25	2.61	4460	3440	4	HI4094		
	1.38	10704	1264.75	1.28	3800	2400	4	HI4084		
	1.26	11777	1391.56	2.26	4460	3440	4	HI4094		
	1.24	11934	1410.13	1.15	3800	2400	4	HI4084		
	1.20	12304	1453.75	3.10	6500	5350	4	HI4104		
	1.12	13259	1566.66	1.03	3800	2400	4	HI4084		
	1.08	13669	1615.11	2.79	6500	5350	4	HI4104		
	1.02	14501	1713.43	1.83	4460	3440	4	HI4094	Available	
	0.92	16111	1903.62	1.65	4460	3440	4	HI4094		
	0.83	17880	2112.65	1.49	4460	3440	4	HI4094		
	0.65	22674	2679.05	1.17	4460	3440	4	HI4094		
	0.58	25398	3000.92	1.05	4460	3440	4	HI4094		
	503	40	3.48	15.03	204	29	2	ALHI4032		Available
	405	50	4.32	12.10	216	29	2	ALHI4032		
318	63	5.50	9.50	230	31	2	ALHI4032			
275	73	6.36	8.22	250	32	2	ALHI4032			
241	84	7.26	7.20	260	34	2	ALHI4032			
222	91	7.89	6.63	266	37	2	ALHI4032			
174	116	10.04	6.89	284	43	2	ALHI4032			
150	134	11.64	5.94	293	55	2	ALHI4032			
132	153	13.26	5.23	305	58	2	ALHI4032			
114	177	15.37	4.52	321	61	2	ALHI4032			
108	187	16.20	4.28	335	63	2	ALHI4032			
105	190	16.66	9.47	980	1250	2	HI4042			
93	217	18.80	3.68	350	65	2	ALHI4032			

* INTEGRAL GEARMOTORS - SPECIFY MOUNTING TYPE I OR K, AND MOTOR HORSEPOWER (SEE PAGE I-8). CONSULT FACTORY FOR AVAILABILITY.

* MOTORIZED REDUCERS - SPECIFY MOUNTING TYPE E OR G, AND MOTOR PART NUMBER (SEE SECTION E)

ALL TORQUE VALUES LISTED IN INCH-POUNDS, ALL OVERHUNG LOAD AND THRUST LOAD VALUES LISTED IN POUNDS.

THE POINT OF APPLICATION OF OHL IS CONSIDERED TO BE APPLIED AT THE MIDPOINT OF SHAFT EXTENSION.

OHL AND THRUST RATINGS CANNOT BE APPLIED SIMULTANEOUSLY. CONSULT THE FACTORY FOR APPLICATIONS WITH COMBINED OHL AND THRUST LOAD.

AT SPEEDS ABOVE 1750 RPM, UNITS MAY BECOME THERMALLY LIMITED. FOR EXTENDED OPERATION, LIMIT HP TO 1750 RPM RATING.

Hub City Poweratio® 4000 & Spartan™ Helical In-Line Drives

Selection By Input H.P. @ 1750 RPM

HP	OUTPUT SPEED	OUTPUT TORQUE	RATIO	SERVICE FACTOR	OUTPUT OHL	OUTPUT THRUST	GEAR STAGES	MODEL*	INTEGRAL GEARMOTOR	
1/3	84	237	20.77	7.64	1050	1250	2	HI4042	Available	
	81	249	21.54	3.21	374	67	2	ALHI4032		
	79	255	22.26	3.13	375	67	2	ALHI4032		
	70	286	25.04	6.37	1150	1250	2	HI4042	Available	
	67	301	26.30	3.85	615	121	2	ALHI4042		
	67	301	26.30	2.65	420	76	2	ALHI4032		
	60	336	29.40	3.54	629	135	2	ALHI4042		
	60	336	29.40	2.38	435	76	2	ALHI4032		
	52	387	33.50	3.07	645	135	3	ALHI4043		
	52	387	33.50	2.06	459	85	3	ALHI4033		
	49	411	35.90	2.82	658	135	2	ALHI4042		
	49	411	35.90	1.94	470	85	2	ALHI4032	Available	
	48	417	36.56	4.41	1150	1250	2	HI4042		
	46	438	38.37	2.57	663	135	2	ALHI4042		
	46	438	38.34	2.55	663	135	3	ALHI4043		
	46	438	38.37	1.82	478	85	2	ALHI4032		
	40	503	44.10	3.68	1150	1250	2	HI4042		Available
	40	504	43.69	2.36	674	135	3	ALHI4043		
	40	504	43.69	1.58	495	85	3	ALHI4033		
	37	545	46.80	1.96	674	135	2	ALHI4042	Available	
	37	545	46.80	1.47	507	85	2	ALHI4032		
	35	576	50.47	3.07	1150	1250	2	HI4042		
	35	576	50.64	2.07	674	135	3	ALHI4043		
	35	576	50.67	1.96	674	135	2	ALHI4042		
	35	576	50.64	1.39	510	85	3	ALHI4033		
	33	611	53.40	1.90	674	135	3	ALHI4043		
	33	611	53.40	1.31	520	85	3	ALHI4033		
	32	630	54.73	3.81	1041	225	3	ALHI4053		
	31	650	57.13	3.69	1050	225	3	ALHI4053		
	28.9	676	60.54	2.74	1150	1250	3	HI4043	Available	
	28.6	705	61.22	1.69	674	135	3	ALHI4043		
	28.6	705	61.22	1.13	525	85	3	ALHI4033		
	28.0	720	61.80	1.48	674	135	2	ALHI4042		
	26.0	775	66.22	3.09	1075	225	3	ALHI4053	Available	
	25.7	760	68.00	5.42	1600	1400	3	HI4063		
	25.0	806	70.95	0.99	540	85	3	ALHI4033		
	25.0	806	70.95	0.84	674	135	3	ALHI4043		
	24.1	811	72.63	2.28	1150	1250	3	HI4043		Available
	24.0	839	73.33	1.33	674	135	3	ALHI4043		
	23.0	876	74.50	1.33	674	135	3	ALHI4043	Available	
22.1	884	79.17	2.09	1150	1250	3	HI4043			
21.0	959	82.30	2.50	1091	225	3	ALHI4053			

* INTEGRAL GEARMOTORS - SPECIFY MOUNTING TYPE I OR K, AND MOTOR HORSEPOWER (SEE PAGE I-8). CONSULT FACTORY FOR AVAILABILITY.

* MOTORIZED REDUCERS - SPECIFY MOUNTING TYPE E OR G, AND MOTOR PART NUMBER (SEE SECTION E)

ALL TORQUE VALUES LISTED IN INCH-POUNDS, ALL OVERHUNG LOAD AND THRUST LOAD VALUES LISTED IN POUNDS.

THE POINT OF APPLICATION OF OHL IS CONSIDERED TO BE APPLIED AT THE MIDPOINT OF SHAFT EXTENSION.

OHL AND THRUST RATINGS CANNOT BE APPLIED SIMULTANEOUSLY. CONSULT THE FACTORY FOR APPLICATIONS WITH COMBINED OHL AND THRUST LOAD.

AT SPEEDS ABOVE 1750 RPM, UNITS MAY BECOME THERMALLY LIMITED. FOR EXTENDED OPERATION, LIMIT HP TO 1750 RPM RATING.

Poweratio® 4000 & Spartan™ Helical In-Line Drives

Hub City Poweratio® 4000 & Spartan™ Helical In-Line Drives

Selection By Input H.P. @ 1750 RPM

HP	OUTPUT SPEED	OUTPUT TORQUE	RATIO	SERVICE FACTOR	OUTPUT OHL	OUTPUT THRUST	GEAR STAGES	MODEL*	INTEGRAL GEARMOTOR
1/3	20.6	947	84.76	4.37	1600	1400	3	HI4063	Available
	20.0	1007	86.80	1.15	674	135	3	ALHI4043	
	19.0	1031	92.29	4.02	1600	1400	3	HI4063	Available
	19.0	1060	92.78	2.26	1102	225	3	ALHI4053	
	18.9	1036	92.74	1.79	1150	1250	3	HI4043	Available
	18.0	1119	96.85	1.06	674	135	3	ALHI4043	
	17.4	1126	100.76	1.64	1150	1250	3	HI4043	Available
	17.1	1142	102.22	3.63	1600	1400	3	HI4063	Available
	17.0	1185	104.68	2.02	1112	225	3	ALHI4053	
	17.0	1185	102.80	0.99	674	135	3	ALHI4043	
	15.2	1285	115.03	3.22	1600	1400	3	HI4063	Available
	15.2	1286	115.15	1.44	1150	1250	3	HI4043	Available
	15.0	1343	117.22	1.85	1124	225	3	ALHI4053	
	14.4	1355	121.28	1.37	1150	1250	3	HI4043	Available
	14.0	1439	126.65	1.66	1130	225	3	ALHI4053	
	13.8	1421	127.22	3.78	1700	1500	3	HI4663	Available
	13.1	1487	133.14	1.24	1150	1250	3	HI4043	Available
	13.0	1550	135.74	1.61	1136	225	3	ALHI4053	
	12.7	1540	137.88	3.49	1700	1500	3	HI4663	Available
	12.6	1550	138.73	2.67	1600	1400	3	HI4063	Available
	12.0	1679	145.68	2.01	1475	292	3	ALHI4063	
	12.0	1679	145.68	1.43	1150	225	3	ALHI4053	
	11.7	1667	149.23	2.48	1600	1400	3	HI4063	Available
	11.3	1724	154.35	1.07	1150	1250	3	HI4043	Available
	11.0	1781	159.46	2.32	1600	1400	3	HI4063	Available
	11.0	1832	157.40	1.84	1492	292	3	ALHI4063	
	11.0	1832	164.23	1.31	1186	225	3	ALHI4053	
	10.8	1772	161.57	3.03	1700	1500	3	HI4663	Available
	9.7	2011	180.00	2.06	1600	1400	3	HI4063	Available
	9.5	2068	185.10	3.51	2240	1620	3	HI4073	Available
	9.4	2143	185.29	1.57	1498	292	3	ALHI4063	
	9.4	2143	185.29	1.12	1186	292	3	ALHI4053	
	9.2	2120	189.79	3.42	2240	1620	3	HI4073	Available
	9.2	2135	191.13	2.51	1700	1500	3	HI4663	Available
	8.6	2343	204.12	1.44	1502	292	3	ALHI4063	
	8.6	2343	204.12	1.02	1186	292	3	ALHI4053	
	8.5	2301	206.00	1.80	1600	1400	3	HI4063	Available
	7.8	2492	223.03	2.16	1700	1500	3	HI4663	Available
	7.8	2583	224.18	1.31	1510	292	3	ALHI4063	
	7.6	2557	228.92	2.84	2240	1620	3	HI4073	Available
	7.4	2626	235.09	2.76	2240	1620	3	HI4073	Available
	7.2	2712	242.75	1.98	1700	1500	3	HI4663	Available
	7.2	2729	244.29	1.52	1600	1400	3	HI4063	Available
	6.7	2927	261.99	2.48	2240	1620	3	HI4073	Available
	6.3	3123	279.57	1.33	1600	1400	3	HI4063	Available
	6.3	3198	278.62	1.05	1510	292	3	ALHI4063	
	6.2	3168	283.56	2.29	2240	1620	3	HI4073	Available
	6.0	3271	292.80	1.64	1700	1500	3	HI4663	Available
	6.0	3209	293.47	1.29	1600	1400	4	HI4064	Available
	5.64	3466	310.23	3.95	3800	2400	4	HI4084	

* INTEGRAL GEARMOTORS - SPECIFY MOUNTING TYPE I OR K, AND MOTOR HORSEPOWER (SEE PAGE I-8). CONSULT FACTORY FOR AVAILABILITY.

* MOTORIZED REDUCERS - SPECIFY MOUNTING TYPE E OR G, AND MOTOR PART NUMBER (SEE SECTION E)

ALL TORQUE VALUES LISTED IN INCH-POUNDS, ALL OVERHUNG LOAD AND THRUST LOAD VALUES LISTED IN POUNDS.

THE POINT OF APPLICATION OF OHL IS CONSIDERED TO BE APPLIED AT THE MIDPOINT OF SHAFT EXTENSION.

OHL AND THRUST RATINGS CANNOT BE APPLIED SIMULTANEOUSLY. CONSULT THE FACTORY FOR APPLICATIONS WITH COMBINED OHL AND THRUST LOAD.

AT SPEEDS ABOVE 1750 RPM, UNITS MAY BECOME THERMALLY LIMITED. FOR EXTENDED OPERATION, LIMIT HP TO 1750 RPM RATING.

Hub City Poweratio® 4000 & Spartan™ Helical In-Line Drives

Selection By Input H.P. @ 1750 RPM

HP	OUTPUT SPEED	OUTPUT TORQUE	RATIO	SERVICE FACTOR	OUTPUT OHL	OUTPUT THRUST	GEAR STAGES	MODEL*	INTEGRAL GEARMOTOR	
1/3	5.49	3482	318.50	1.19	1600	1400	4	HI4064	Available	
	5.39	3625	324.52	2.00	2240	1620	3	HI4073	Available	
	5.22	3744	335.09	1.43	1700	1500	3	HI4663	Available	
	5.07	3852	344.84	1.88	2240	1620	4	HI4074	Available	
	4.98	3924	351.29	3.49	3800	2400	4	HI4084	Available	
	4.90	3987	356.92	1.82	2240	1620	4	HI4074	Available	
	4.89	3914	357.93	1.37	1700	1500	4	HI4664	Available	
	4.89	3911	357.70	1.06	1600	1400	4	HI4064	Available	
	4.37	4472	400.30	3.06	3800	2400	4	HI4084	Available	
	4.37	4473	400.36	1.62	2240	1620	4	HI4074	Available	
	4.22	4532	414.47	1.18	1700	1500	4	HI4664	Available	
	3.94	4862	444.68	1.10	1700	1500	4	HI4664	Available	
	3.93	4973	445.16	2.75	3800	2400	4	HI4084	Available	
	3.93	4973	445.13	1.46	2240	1620	4	HI4074	Available	
	3.58	5348	489.11	1.00	1700	1500	4	HI4664	Available	
	3.26	5995	536.67	2.29	3800	2400	4	HI4084	Available	
	3.20	6101	546.12	1.19	2240	1620	4	HI4074	Available	
	2.70	7228	646.98	1.90	3800	2400	4	HI4084	Available	
	2.69	7256	649.47	1.00	2240	1620	4	HI4074	Available	
	2.67	7329	656.02	3.63	4460	3440	4	HI4094	Available	
	2.18	8953	801.43	1.53	3800	2400	4	HI4084	Available	
	2.17	9024	807.76	2.95	4460	3440	4	HI4094	Available	
	2.12	9230	826.21	4.13	6500	5350	4	HI4104	Available	
	1.95	10018	896.70	3.80	6500	5350	4	HI4104	Available	
	1.79	10944	979.66	2.43	4460	3440	4	HI4094	Available	
	1.76	11090	992.73	1.24	3800	2400	4	HI4084	Available	
	1.75	11149	997.98	3.42	6500	5350	4	HI4104	Available	
	1.71	11433	1023.44	3.33	6500	5350	4	HI4104	Available	
	1.56	12507	1119.52	3.05	6500	5350	4	HI4104	Available	
	1.50	13063	1169.33	1.05	3800	2400	4	HI4084	Available	
	1.45	13476	1206.25	1.97	4460	3440	4	HI4094	Available	
	1.38	14166	1268.07	2.69	6500	5350	4	HI4104	Available	
	1.26	15546	1391.56	1.71	4460	3440	4	HI4094	Available	
	1.24	15739	1408.82	2.42	6500	5350	4	HI4104	Available	
	1.20	16241	1453.75	2.35	6500	5350	4	HI4104	Available	
	1.08	18043	1615.11	2.11	6500	5350	4	HI4104	Available	
	1.02	19142	1713.43	1.39	4460	3440	4	HI4094	Available	
	0.92	21267	1903.62	1.25	4460	3440	4	HI4094	Available	
	0.83	23602	2112.65	1.13	4460	3440	4	HI4094	Available	
	1/2	593	51	2.95	20.79	550	630	2	HI4042	Available
		529	57	3.31	19.22	570	650	2	HI4042	Available
		503	60	3.48	10.01	204	29	2	ALHI4032	Available
		470	64	3.72	18.19	580	660	2	HI4042	Available
		416	73	4.21	17.59	590	650	2	HI4042	Available
		405	75	4.32	8.06	216	29	2	ALHI4032	Available
366		83	4.78	15.49	620	690	2	HI4042	Available	
320		95	5.47	13.54	650	730	2	HI4042	Available	
318		95	5.50	6.33	230	31	2	ALHI4032	Available	
298		101	5.87	12.61	680	780	2	HI4042	Available	

* INTEGRAL GEARMOTORS - SPECIFY MOUNTING TYPE I OR K, AND MOTOR HORSEPOWER (SEE PAGE I-8). CONSULT FACTORY FOR AVAILABILITY.
 * MOTORIZED REDUCERS - SPECIFY MOUNTING TYPE E OR G, AND MOTOR PART NUMBER (SEE SECTION E)
 ALL TORQUE VALUES LISTED IN INCH-POUNDS, ALL OVERHUNG LOAD AND THRUST LOAD VALUES LISTED IN POUNDS.
 THE POINT OF APPLICATION OF OHL IS CONSIDERED TO BE APPLIED AT THE MIDPOINT OF SHAFT EXTENSION.
 OHL AND THRUST RATINGS CANNOT BE APPLIED SIMULTANEOUSLY. CONSULT THE FACTORY FOR APPLICATIONS WITH COMBINED OHL AND THRUST LOAD.
 AT SPEEDS ABOVE 1750 RPM, UNITS MAY BECOME THERMALLY LIMITED. FOR EXTENDED OPERATION, LIMIT HP TO 1750 RPM RATING.

Hub City Poweratio® 4000 & Spartan™ Helical In-Line Drives

Selection By Input H.P. @ 1750 RPM

HP	OUTPUT SPEED	OUTPUT TORQUE	RATIO	SERVICE FACTOR	OUTPUT OHL	OUTPUT THRUST	GEAR STAGES	MODEL*	INTEGRAL GEARMOTOR
1/2	285	106	6.13	13.59	710	840	2	HI4042	Available
	275	110	6.36	5.47	250	32	2	ALHI4032	
	255	119	6.86	12.31	740	880	2	HI4042	Available
	241	126	7.26	4.80	260	34	2	ALHI4032	
	227	133	7.70	11.12	770	920	2	HI4042	Available
	222	136	7.89	4.42	266	37	2	ALHI4032	
	179	169	9.80	9.50	820	980	2	HI4042	Available
	174	174	10.04	4.59	284	43	2	ALHI4032	
	157	193	11.14	8.83	850	1010	2	HI4042	Available
	150	202	11.64	3.96	293	55	2	ALHI4032	
	137	220	12.74	7.90	890	1060	2	HI4042	Available
	132	229	13.26	3.48	305	58	2	ALHI4032	
	128	236	13.67	7.53	920	1100	2	HI4042	Available
	114	265	15.37	3.01	321	61	2	ALHI4032	
	108	280	16.20	2.85	335	63	2	ALHI4032	
	105	288	16.66	6.25	980	1250	2	HI4042	Available
	93	325	18.80	3.56	535	108	2	ALHI4042	
	93	325	18.80	2.45	350	65	2	ALHI4032	
	84	359	20.77	5.04	1050	1250	2	HI4042	Available
	81	373	21.54	3.19	562	121	2	ALHI4042	
	81	373	21.54	2.14	374	67	2	ALHI4032	
	79	383	22.26	3.11	562	121	2	ALHI4042	
	79	383	22.26	2.08	375	67	2	ALHI4032	
	70	433	25.04	4.20	1150	1250	2	HI4042	Available
	67	452	26.30	2.56	615	121	2	ALHI4042	
	67	452	26.30	1.77	420	76	2	ALHI4032	
	61	498	28.79	3.68	1150	1250	2	HI4042	Available
	60	504	29.40	2.36	629	135	2	ALHI4042	
	60	504	29.40	1.58	435	85	2	ALHI4032	
	52	582	34.01	4.12	918	225	3	ALHI4053	
	52	582	33.50	2.04	645	135	3	ALHI4043	
	52	582	33.50	1.37	459	85	3	ALHI4033	
	49	617	35.90	1.29	470	85	2	ALHI4032	
	48	632	36.56	2.91	1150	1250	2	HI4042	Available
	46	658	38.37	1.71	663	135	2	ALHI4042	
	46	658	38.37	1.21	478	85	2	ALHI4032	
	44	688	39.79	0.06	988	225	3	ALHI4053	
	43	704	40.50	2.90	988	202	2	ALHI4052	
	40	762	44.10	2.43	1150	1250	2	HI4042	Available
	40	756	43.69	1.57	674	135	3	ALHI4043	
40	756	43.69	1.06	495	85	3	ALHI4033		
37	818	47.22	2.93	1028	225	3	ALHI4053		
37	818	46.80	1.30	674	135	2	ALHI4042		
36	840	49.00	2.86	1028	225	2	ALHI4052		
35	872	50.47	2.03	1150	1250	2	HI4042	Available	
35	864	50.67	1.30	674	135	2	ALHI4042		
33	917	53.40	1.27	674	135	3	ALHI4043		
32	916	54.73	2.62	1041	225	3	ALHI4053		
31	944	55.79	4.36	1600	1400	3	HI4063	Available	
31	945	57.13	2.53	1050	225	3	ALHI4053		

* INTEGRAL GEARMOTORS - SPECIFY MOUNTING TYPE I OR K, AND MOTOR HORSEPOWER (SEE PAGE I-8). CONSULT FACTORY FOR AVAILABILITY.

* MOTORIZED REDUCERS - SPECIFY MOUNTING TYPE E OR G, AND MOTOR PART NUMBER (SEE SECTION E)

ALL TORQUE VALUES LISTED IN INCH-POUNDS, ALL OVERHUNG LOAD AND THRUST LOAD VALUES LISTED IN POUNDS.

THE POINT OF APPLICATION OF OHL IS CONSIDERED TO BE APPLIED AT THE MIDPOINT OF SHAFT EXTENSION.

OHL AND THRUST RATINGS CANNOT BE APPLIED SIMULTANEOUSLY. CONSULT THE FACTORY FOR APPLICATIONS WITH COMBINED

OHL AND THRUST LOAD.

AT SPEEDS ABOVE 1750 RPM, UNITS MAY BECOME THERMALLY LIMITED. FOR EXTENDED OPERATION, LIMIT HP TO 1750 RPM RATING.

Hub City Poweratio® 4000 & Spartan™ Helical In-Line Drives

Selection By Input H.P. @ 1750 RPM

HP	OUTPUT SPEED	OUTPUT TORQUE	RATIO	SERVICE FACTOR	OUTPUT OHL	OUTPUT THRUST	GEAR STAGES	MODEL*	INTEGRAL GEARMOTOR
1/2	29.0	1011	60.90	2.18	1050	225	2	ALHI4052	
	29.0	1011	61.22	1.18	674	135	3	ALHI4043	
	28.9	1025	60.54	1.81	1150	1250	3	HI4043	Available
	28.4	1044	61.69	3.95	1600	1400	3	HI4063	Available
	28.0	1047	62.00	1.11	674	135	3	ALHI4043	
	26.9	1101	65.07	4.88	1700	1500	3	HI4663	Available
	26.0	1127	66.22	2.13	1075	225	3	ALHI4053	
	25.7	1151	68.00	3.58	1600	1400	3	HI4063	Available
	25.0	1172	71.01	2.04	1079	225	3	ALHI4053	
	25.0	1172	70.95	1.01	674	135	3	ALHI4043	
	24.1	1229	72.63	1.50	1150	1250	3	HI4043	Available
	23.1	1282	75.71	3.23	1600	1400	3	HI4063	Available
	23.0	1274	76.69	2.65	1414	292	3	ALHI4063	
	23.0	1274	76.69	1.88	1091	225	3	ALHI4053	
	22.1	1340	79.17	1.38	1150	1250	3	HI4043	Available
	21.0	1396	82.30	2.42	1422	292	3	ALHI4063	
	21.0	1396	82.30	1.72	1091	225	3	ALHI4053	
	20.6	1435	84.76	2.89	1600	1400	3	HI4063	Available
	19.0	1562	92.29	2.65	1600	1400	3	HI4063	Available
	19.0	1542	92.78	1.55	1102	225	3	ALHI4053	
	18.9	1570	92.74	1.18	1150	1250	3	HI4043	Available
	17.4	1706	100.76	1.08	1150	1250	3	HI4043	Available
	17.1	1730	102.22	2.39	1600	1400	3	HI4063	Available
	17.0	1724	104.68	1.39	1112	225	3	ALHI4053	
	15.8	1873	110.67	2.87	1700	1500	3	HI4663	Available
	15.2	1947	115.03	2.13	1600	1400	3	HI4063	Available
	15.0	1954	117.22	1.73	1461	292	3	ALHI4063	
	15.0	1954	117.22	1.23	1124	225	3	ALHI4053	
	14.0	2093	126.65	1.61	1468	292	3	ALHI4063	
	14.0	2093	126.65	1.14	1130	225	3	ALHI4053	
	13.8	2153	127.22	2.49	1700	1500	3	HI4663	Available
	13.1	2260	133.53	3.21	2240	1620	3	HI4073	Available
	13.0	2254	135.74	1.50	1472	292	3	ALHI4063	
	13.0	2254	135.74	1.06	1136	225	3	ALHI4053	
	12.7	2334	137.88	2.30	1700	1500	3	HI4663	Available
	12.6	2348	138.73	1.76	1600	1400	3	HI4063	Available
	12.0	2442	145.68	1.38	1475	292	3	ALHI4063	
	11.7	2529	149.43	2.87	2240	1620	3	HI4073	Available
	11.7	2526	149.23	1.64	1600	1400	3	HI4063	Available

* INTEGRAL GEARMOTORS - SPECIFY MOUNTING TYPE I OR K, AND MOTOR HORSEPOWER (SEE PAGE I-8). CONSULT FACTORY FOR AVAILABILITY.

* MOTORIZED REDUCERS - SPECIFY MOUNTING TYPE E OR G, AND MOTOR PART NUMBER (SEE SECTION E)

ALL TORQUE VALUES LISTED IN INCH-POUNDS, ALL OVERHUNG LOAD AND THRUST LOAD VALUES LISTED IN POUNDS.

THE POINT OF APPLICATION OF OHL IS CONSIDERED TO BE APPLIED AT THE MIDPOINT OF SHAFT EXTENSION.

OHL AND THRUST RATINGS CANNOT BE APPLIED SIMULTANEOUSLY. CONSULT THE FACTORY FOR APPLICATIONS WITH COMBINED OHL AND THRUST LOAD.

AT SPEEDS ABOVE 1750 RPM, UNITS MAY BECOME THERMALLY LIMITED. FOR EXTENDED OPERATION, LIMIT HP TO 1750 RPM RATING.

Hub City Poweratio® 4000 & Spartan™ Helical In-Line Drives

Selection By Input H.P. @ 1750 RPM

HP	OUTPUT SPEED	OUTPUT TORQUE	RATIO	SERVICE FACTOR	OUTPUT OHL	OUTPUT THRUST	GEAR STAGES	MODEL*	INTEGRAL GEARMOTOR
1/2	11.0	2699	159.46	1.53	1600	1400	3	HI4063	Available
	11.0	2664	157.40	1.27	1492	292	3	ALHI4063	
	11.0	2664	164.23	1.27	1492	292	3	ALHI4063	
	10.9	2726	161.04	2.66	2240	1620	3	HI4073	Available
	10.8	2685	161.57	2.00	1700	1500	3	HI4663	Available
	9.7	3047	180.00	1.36	1600	1400	3	HI4063	Available
	9.5	3133	185.10	2.32	2240	1620	3	HI4073	Available
	9.4	3118	185.29	1.08	1498	292	3	ALHI4063	
	9.2	3213	189.79	2.26	2240	1620	3	HI4073	Available
	9.2	3235	191.13	1.66	1700	1500	3	HI4663	Available
	8.5	3487	206.00	1.19	1600	1400	3	HI4063	Available
	7.8	3775	223.03	1.42	1700	1500	3	HI4663	Available
	7.7	3830	226.28	3.58	3800	2400	3	HI4083	
	7.6	3875	228.92	3.54	3800	2400	3	HI4083	
	7.6	3875	228.92	1.87	2240	1620	3	HI4073	Available
	7.4	3979	235.09	1.82	2240	1620	3	HI4073	Available
	7.2	4109	242.75	1.31	1700	1500	3	HI4663	Available
	7.2	4135	244.29	1.00	1600	1400	3	HI4063	Available
	6.7	4413	260.72	3.10	3800	2400	3	HI4083	
	6.7	4435	261.99	1.64	2240	1620	3	HI4073	Available
	6.2	4800	283.57	2.85	3800	2400	3	HI4083	
	6.2	4800	283.56	1.51	2240	1620	3	HI4073	Available
	6.0	4956	292.80	1.08	1700	1500	3	HI4663	Available
	5.64	5251	310.23	2.61	3800	2400	4	HI4084	
	5.42	5466	322.95	2.51	3800	2400	3	HI4083	
	5.39	5493	324.52	1.32	2240	1620	3	HI4073	Available
	5.07	5837	344.84	1.24	2240	1620	4	HI4074	
	4.98	5946	351.29	2.30	3800	2400	4	HI4084	Available
	4.90	6041	356.92	1.20	2240	1620	4	HI4074	Available
	4.37	6776	400.30	2.02	3800	2400	4	HI4084	
	4.37	6777	400.36	1.07	2240	1620	4	HI4074	
	3.93	7535	445.16	1.82	3800	2400	4	HI4084	Available
	3.57	8306	490.71	3.20	4460	3440	4	HI4094	
	3.26	9084	536.67	1.51	3800	2400	4	HI4084	Available
	3.15	9392	554.88	2.83	4460	3440	4	HI4094	
	2.77	10681	631.04	2.49	4460	3440	4	HI4094	
	2.70	10951	646.98	1.25	3800	2400	4	HI4084	Available
	2.67	11104	656.02	2.40	4460	3440	4	HI4094	
	2.18	13566	801.43	1.01	3800	2400	4	HI4084	Available
	2.17	13673	807.76	1.95	4460	3440	4	HI4094	
	2.12	13985	826.21	2.72	6500	5350	4	HI4104	
	1.95	15178	896.70	2.51	6500	5350	4	HI4104	
	1.79	16582	979.66	1.60	4460	3440	4	HI4094	
	1.75	16893	997.98	2.26	6500	5350	4	HI4104	
	1.71	17323	1023.44	2.20	6500	5350	4	HI4104	
	1.56	18950	1119.52	2.01	6500	5350	4	HI4104	
	1.45	20418	1206.25	1.30	4460	3440	4	HI4094	
	1.38	21464	1268.07	1.78	6500	5350	4	HI4104	
	1.26	23555	1391.56	1.13	4460	3440	4	HI4094	
	1.24	23847	1408.82	1.60	6500	5350	4	HI4104	
1.20	24607	1453.75	1.55	6500	5350	4	HI4104		
1.08	27339	1615.11	1.39	6500	5350	4	HI4104		

* INTEGRAL GEARMOTORS - SPECIFY MOUNTING TYPE I OR K, AND MOTOR HORSEPOWER (SEE PAGE I-8). CONSULT FACTORY FOR AVAILABILITY.

* MOTORIZED REDUCERS - SPECIFY MOUNTING TYPE E OR G, AND MOTOR PART NUMBER (SEE SECTION E)

ALL TORQUE VALUES LISTED IN INCH-POUNDS, ALL OVERHUNG LOAD AND THRUST LOAD VALUES LISTED IN POUNDS.

THE POINT OF APPLICATION OF OHL IS CONSIDERED TO BE APPLIED AT THE MIDPOINT OF SHAFT EXTENSION.

OHL AND THRUST RATINGS CANNOT BE APPLIED SIMULTANEOUSLY. CONSULT THE FACTORY FOR APPLICATIONS WITH COMBINED OHL AND THRUST LOAD.

AT SPEEDS ABOVE 1750 RPM, UNITS MAY BECOME THERMALLY LIMITED. FOR EXTENDED OPERATION, LIMIT HP TO 1750 RPM RATING.

Hub City Poweratio® 4000 & Spartan™ Helical In-Line Drives

Selection By Input H.P. @ 1750 RPM

HP	OUTPUT SPEED	OUTPUT TORQUE	RATIO	SERVICE FACTOR	OUTPUT OHL	OUTPUT THRUST	GEAR STAGES	MODEL*	INTEGRAL GEARMOTOR
3/4	665	68	2.63	14.96	530	610	2	HI4042	Available
	593	76	2.95	13.86	550	630	2	HI4042	Available
	529	86	3.31	12.82	570	650	2	HI4042	Available
	503	90	3.48	6.67	204	29	2	ALHI4032	
	470	96	3.72	12.13	580	660	2	HI4042	Available
	416	109	4.21	11.73	590	650	2	HI4042	Available
	405	112	4.32	5.37	216	29	2	ALHI4032	
	366	124	4.78	10.33	620	690	2	HI4042	Available
	320	142	5.47	9.02	650	730	2	HI4042	Available
	318	143	5.50	4.22	230	31	2	ALHI4032	
	298	152	5.87	8.41	680	780	2	HI4042	Available
	285	159	6.13	9.06	710	840	2	HI4042	Available
	275	165	6.36	3.65	250	32	2	ALHI4032	
	255	178	6.86	8.21	740	880	2	HI4042	Available
	241	188	7.26	3.20	260	34	2	ALHI4032	
	227	200	7.70	7.41	770	920	2	HI4042	Available
	222	204	7.89	2.95	266	37	2	ALHI4032	
	179	254	9.80	6.34	820	980	2	HI4042	Available
	174	261	10.04	3.06	284	43	2	ALHI4032	
	166	273	10.52	13.49	1340	1140	2	HI4062	Available
	157	289	11.14	5.89	850	1010	2	HI4042	Available
	150	303	11.64	3.93	445	91	2	ALHI4042	
	150	303	11.64	2.64	293	55	2	ALHI4032	
	137	330	12.74	5.27	890	1060	2	HI4042	Available
	132	344	13.26	3.46	476	101	2	ALHI4042	
	132	344	13.26	2.32	305	58	2	ALHI4032	
	128	354	13.67	5.02	920	1100	2	HI4042	Available
	114	398	15.37	2.99	508	101	2	ALHI4042	
	114	398	15.37	2.00	321	61	2	ALHI4032	
	108	420	16.20	2.76	520	101	2	ALHI4042	
	108	420	16.20	1.90	335	63	2	ALHI4032	
	105	432	16.66	4.17	980	1250	2	HI4042	Available
	100	454	17.50	8.84	1600	1400	2	HI4062	Available
	93	488	18.80	2.37	535	108	2	ALHI4042	
	93	488	18.80	1.64	350	65	2	ALHI4032	
	88	519	20.00	7.77	1600	1400	2	HI4062	Available
	84	539	20.77	3.36	1050	1250	2	HI4042	Available
	82	557	21.47	7.26	1600	1400	2	HI4062	Available
	81	560	21.54	2.12	562	108	2	ALHI4042	
	81	560	21.54	1.42	374	67	2	ALHI4032	
	79	574	22.26	2.07	562	108	2	ALHI4042	
	79	574	22.26	1.39	375	67	2	ALHI4032	
	70	649	25.04	2.80	1150	1250	2	HI4042	Available
	67	677	26.30	1.71	615	121	2	ALHI4042	
	67	677	26.30	1.18	420	76	2	ALHI4032	
	64	704	27.14	5.77	1600	1400	2	HI4062	
	61	747	28.79	2.45	1150	1250	2	HI4042	Available
	60	756	29.41	3.31	900	175	2	ALHI4052	
	60	756	29.40	1.57	629	135	2	ALHI4042	
	60	756	29.40	1.06	435	85	2	ALHI4032	

* INTEGRAL GEARMOTORS - SPECIFY MOUNTING TYPE I OR K, AND MOTOR HORSEPOWER (SEE PAGE I-8). CONSULT FACTORY FOR AVAILABILITY.
 * MOTORIZED REDUCERS - SPECIFY MOUNTING TYPE E OR G, AND MOTOR PART NUMBER (SEE SECTION E)
 ALL TORQUE VALUES LISTED IN INCH-POUNDS, ALL OVERHUNG LOAD AND THRUST LOAD VALUES LISTED IN POUNDS.
 THE POINT OF APPLICATION OF OHL IS CONSIDERED TO BE APPLIED AT THE MIDPOINT OF SHAFT EXTENSION.
 OHL AND THRUST RATINGS CANNOT BE APPLIED SIMULTANEOUSLY. CONSULT THE FACTORY FOR APPLICATIONS WITH COMBINED OHL AND THRUST LOAD.
 AT SPEEDS ABOVE 1750 RPM, UNITS MAY BECOME THERMALLY LIMITED. FOR EXTENDED OPERATION, LIMIT HP TO 1750 RPM RATING.

Hub City Poweratio® 4000 & Spartan™ Helical In-Line Drives

Selection By Input H.P. @ 1750 RPM

HP	OUTPUT SPEED	OUTPUT TORQUE	RATIO	SERVICE FACTOR	OUTPUT OHL	OUTPUT THRUST	GEAR STAGES	MODEL*	INTEGRAL GEARMOTOR
3/4	54	843	32.50	4.85	1600	1400	2	HI4062	
	52	873	34.01	2.75	918	225	3	ALHI4053	
	52	873	33.50	1.36	645	135	3	ALHI4043	
	49	931	35.91	4.40	1600	1400	2	HI4062	
	49	926	35.58	2.70	922	202	2	ALHI4052	
	49	926	35.90	1.25	660	135	2	ALHI4042	
	48	948	36.56	1.94	1150	1250	2	HI4042	Available
	46	986	38.37	1.14	663	135	2	ALHI4042	
	46	986	38.34	1.13	663	135	3	ALHI4043	
	44	1031	39.79	2.32	988	225	3	ALHI4053	
	43	1055	40.50	2.28	988	202	2	ALHI4052	
	40	1134	44.23	2.03	1012	202	2	ALHI4052	
	40	1144	44.10	1.62	1150	1250	2	HI4042	Available
	40	1134	43.69	1.05	674	135	3	ALHI4043	
	39	1167	45.00	3.52	1600	1400	2	HI4062	
	37	1226	47.22	1.95	1028	225	3	ALHI4053	
	36	1261	49.00	2.20	1330	260	2	ALHI4062	
	36	1261	49.00	1.91	1028	202	2	ALHI4052	
	35	1309	50.47	1.35	1150	1250	2	HI4042	Available
	34	1329	51.25	3.10	1600	1400	2	HI4062	
	32	1418	54.73	2.38	1354	292	3	ALHI4063	
	32	1418	54.73	1.69	1041	225	3	ALHI4053	
	31	1417	55.79	2.91	1600	1400	3	HI4063	Available
	31	1464	57.13	2.30	1354	292	3	ALHI4063	
	31	1464	57.13	1.64	1050	225	3	ALHI4053	
	29.0	1534	60.40	3.50	1700	1500	3	HI4663	Available
	29.0	1565	60.90	1.79	1367	260	2	ALHI4062	
	29.0	1565	60.90	1.41	1050	202	2	ALHI4052	
	28.9	1537	60.54	1.20	1150	1250	3	HI4043	Available
	28.4	1566	61.69	2.63	1600	1400	3	HI4063	Available
	26.9	1652	65.07	3.25	1700	1500	3	HI4663	Available
	26.0	1745	66.22	1.93	1519	292	3	ALHI4063	
	26.0	1745	66.22	1.37	1075	225	3	ALHI4053	
	25.7	1727	68.00	2.39	1600	1400	3	HI4063	Available
	25.0	1815	71.01	1.86	1398	292	3	ALHI4063	
	25.0	1815	71.01	1.32	1079	225	3	ALHI4053	
	24.7	1801	70.95	4.03	2240	1620	3	HI4073	Available
	24.4	1818	71.61	3.99	2240	1620	3	HI4073	Available
	24.1	1844	72.63	1.00	1150	1250	3	HI4043	Available
	23.7	1877	73.94	2.86	1700	1500	3	HI4663	Available
	23.1	1922	75.71	2.15	1600	1400	3	HI4063	Available
	23.0	1973	76.69	1.71	1414	292	3	ALHI4063	
	23.0	1973	76.69	1.21	1091	225	3	ALHI4053	
	21.4	2080	81.92	3.49	2240	1620	3	HI4073	Available
	21.0	2161	82.30	1.56	1422	292	3	ALHI4063	
	21.0	2161	82.30	1.25	1091	225	3	ALHI4053	
	20.7	2148	84.59	2.50	1700	1500	3	HI4663	Available
	20.6	2152	84.76	1.92	1600	1400	3	HI4063	Available
20.2	2196	86.48	3.31	2240	1620	3	HI4073	Available	
19.9	2232	87.89	3.25	2240	1620	3	HI4073	Available	

* INTEGRAL GEARMOTORS - SPECIFY MOUNTING TYPE I OR K, AND MOTOR HORSEPOWER (SEE PAGE I-8). CONSULT FACTORY FOR AVAILABILITY.

* MOTORIZED REDUCERS - SPECIFY MOUNTING TYPE E OR G, AND MOTOR PART NUMBER (SEE SECTION E)

ALL TORQUE VALUES LISTED IN INCH-POUNDS, ALL OVERHUNG LOAD AND THRUST LOAD VALUES LISTED IN POUNDS.

THE POINT OF APPLICATION OF OHL IS CONSIDERED TO BE APPLIED AT THE MIDPOINT OF SHAFT EXTENSION.

OHL AND THRUST RATINGS CANNOT BE APPLIED SIMULTANEOUSLY. CONSULT THE FACTORY FOR APPLICATIONS WITH COMBINED OHL AND THRUST LOAD.

AT SPEEDS ABOVE 1750 RPM, UNITS MAY BECOME THERMALLY LIMITED. FOR EXTENDED OPERATION, LIMIT HP TO 1750 RPM RATING.

Hub City Poweratio® 4000 & Spartan™ Helical In-Line Drives

Selection By Input H.P. @ 1750 RPM

HP	OUTPUT SPEED	OUTPUT TORQUE	RATIO	SERVICE FACTOR	OUTPUT OHL	OUTPUT THRUST	GEAR STAGES	MODEL*	INTEGRAL GEARMOTOR
3/4	19.1	2330	91.77	2.30	1700	1500	3	HI4663	Available
	19.0	2343	92.29	1.77	1600	1400	3	HI4063	Available
	19.0	2388	92.78	1.00	1102	225	3	ALHI4053	
	17.1	2595	102.22	1.60	1600	1400	3	HI4063	Available
	17.0	2669	104.68	1.26	1454	292	3	ALHI4063	
	16.3	2720	107.12	2.67	2240	1620	3	HI4073	Available
	15.8	2810	110.67	1.91	1700	1500	3	HI4663	Available
	15.2	2921	115.03	1.42	1600	1400	3	HI4063	Available
	15.0	3025	117.22	1.11	1461	292	3	ALHI4063	
	14.0	3241	126.65	1.04	1468	292	3	ALHI4063	
	13.9	3200	126.03	4.28	3800	2400	3	HI4083	Available
	13.8	3230	127.22	1.66	1700	1500	3	HI4663	Available
	13.5	3301	130.00	2.20	2240	1620	3	HI4073	Available
	13.1	3390	133.53	2.14	2240	1620	3	HI4073	Available
	12.9	3435	135.30	3.99	3800	2400	3	HI4083	Available
	12.7	3506	138.08	3.91	3800	2400	3	HI4083	
	10.8	4028	161.57	1.33	1700	1500	3	HI4663	Available
	10.6	4198	165.33	3.26	3800	2400	3	HI4083	
	10.2	4343	171.04	3.15	3800	2400	3	HI4083	
	9.6	4638	182.68	2.95	3800	2400	3	HI4083	
	9.5	4700	185.10	1.54	2240	1620	3	HI4073	Available
	9.4	4738	186.62	2.89	3800	2400	3	HI4083	
	9.2	4819	189.79	1.51	2240	1620	3	HI4073	Available
	9.2	4853	191.13	1.11	1700	1500	3	HI4663	Available
	8.5	5200	204.80	2.63	3800	2400	3	HI4083	
	7.7	5745	226.28	2.38	3800	2400	3	HI4083	
	7.6	5812	228.92	2.36	3800	2400	3	HI4083	
	7.6	5812	228.92	1.25	2240	1620	3	HI4073	Available
	7.4	5969	235.09	1.22	2240	1620	3	HI4073	Available
	7.1	6297	248.00	4.22	4460	3440	3	HI4093	
	6.7	6620	260.72	2.07	3800	2400	3	HI4083	
	6.7	6652	261.99	1.09	2240	1620	3	HI4073	Available
	6.2	7177	282.69	3.71	4460	3440	3	HI4093	
	6.2	7200	283.57	1.90	3800	2400	3	HI4083	
	6.2	7200	283.56	1.01	2240	1620	3	HI4073	Available
	5.64	7877	310.23	1.74	3800	2400	4	HI4084	
	5.57	7974	314.06	3.34	4460	3440	3	HI4093	
	5.42	8200	322.95	1.67	3800	2400	3	HI4083	
	4.98	8919	351.29	1.54	3800	2400	4	HI4084	Available
	4.90	9075	357.43	2.93	4460	3440	4	HI4094	
	4.40	10104	397.95	3.77	6500	5350	4	HI4104	
	4.37	10164	400.30	1.35	3800	2400	4	HI4084	Available
	3.99	11126	438.20	2.39	4460	3440	4	HI4094	
	3.93	11303	445.16	1.21	3800	2400	4	HI4084	Available
	3.92	11334	446.41	3.36	6500	5350	4	HI4104	
	3.57	12459	490.71	2.13	4460	3440	4	HI4094	
	3.32	13400	527.77	2.84	6500	5350	4	HI4104	
	3.26	13626	536.67	1.01	3800	2400	4	HI4084	Available
	3.15	14088	554.88	1.89	4460	3440	4	HI4094	
	2.77	16022	631.04	1.66	4460	3440	4	HI4094	

* INTEGRAL GEARMOTORS - SPECIFY MOUNTING TYPE I OR K, AND MOTOR HORSEPOWER (SEE PAGE I-8). CONSULT FACTORY FOR AVAILABILITY.

* MOTORIZED REDUCERS - SPECIFY MOUNTING TYPE E OR G, AND MOTOR PART NUMBER (SEE SECTION E)

ALL TORQUE VALUES LISTED IN INCH-POUNDS, ALL OVERHUNG LOAD AND THRUST LOAD VALUES LISTED IN POUNDS.

THE POINT OF APPLICATION OF OHL IS CONSIDERED TO BE APPLIED AT THE MIDPOINT OF SHAFT EXTENSION.

OHL AND THRUST RATINGS CANNOT BE APPLIED SIMULTANEOUSLY. CONSULT THE FACTORY FOR APPLICATIONS WITH COMBINED OHL AND THRUST LOAD.

AT SPEEDS ABOVE 1750 RPM, UNITS MAY BECOME THERMALLY LIMITED. FOR EXTENDED OPERATION, LIMIT HP TO 1750 RPM RATING.

Poweratio® 4000 & Spartan™ Helical In-Line Drives

Hub City Poweratio® 4000 & Spartan™ Helical In-Line Drives

Selection By Input H.P. @ 1750 RPM

HP	OUTPUT SPEED	OUTPUT TORQUE	RATIO	SERVICE FACTOR	OUTPUT OHL	OUTPUT THRUST	GEAR STAGES	MODEL*	INTEGRAL GEARMOTOR	
3/4	2.75	16155	636.26	2.36	6500	5350	4	HI4104		
	2.67	16656	656.02	1.60	4460	3440	4	HI4094		
	2.49	17839	702.58	2.14	6500	5350	4	HI4104		
	2.17	20509	807.76	1.30	4460	3440	4	HI4094		
	2.12	20978	826.21	1.82	6500	5350	4	HI4104		
	1.95	22767	896.70	1.67	6500	5350	4	HI4104		
	1.79	24874	979.66	1.07	4460	3440	4	HI4094		
	1.75	25339	997.98	1.50	6500	5350	4	HI4104		
	1.71	25985	1023.44	1.47	6500	5350	4	HI4104		
	1.56	28425	1119.52	1.34	6500	5350	4	HI4104		
	1.38	32196	1268.07	1.18	6500	5350	4	HI4104		
	1.24	35770	1408.82	1.07	6500	5350	4	HI4104		
	1.20	36911	1453.75	1.03	6500	5350	4	HI4104		
	1	665	91	2.63	11.22	530	610	2	HI4042	Available
		593	102	2.95	10.39	550	630	2	HI4042	Available
529		114	3.31	9.61	570	650	2	HI4042	Available	
503		120	3.48	5.02	204	29	2	ALHI4032		
470		129	3.72	9.10	580	660	2	HI4042	Available	
416		146	4.21	8.79	590	650	2	HI4042	Available	
405		149	4.32	4.04	216	29	2	ALHI4032		
366		165	4.78	7.75	620	690	2	HI4042	Available	
320		189	5.47	6.77	650	730	2	HI4042	Available	
318		190	5.50	3.17	230	21	2	ALHI4032		
298		203	5.87	6.31	680	780	2	HI4042	Available	
285		212	6.13	6.79	710	840	2	HI4042	Available	
275		220	6.36	2.73	376	70	2	ALHI4042		
275		220	6.36	2.73	250	32	2	ALHI4032		
255		237	6.86	6.16	740	880	2	HI4042	Available	
241		251	7.26	4.24	391	74	2	ALHI4042		
241		251	7.26	2.40	260	34	2	ALHI4032		
227		266	7.70	5.56	770	920	2	HI4042	Available	
222		273	7.89	3.70	400	81	2	ALHI4042		
222		273	7.89	2.21	266	37	2	ALHI4032		
179		339	9.80	4.75	820	980	2	HI4042	Available	
174		348	10.04	3.42	420	81	2	ALHI4042		
174		348	10.04	2.30	284	43	2	ALHI4032		
157		385	11.14	4.41	850	1010	2	HI4042	Available	
150		403	11.64	2.95	445	91	2	ALHI4042		
150		403	11.64	1.98	293	55	2	ALHI4032		
137		440	12.74	3.95	890	1060	2	HI4042	Available	
132		458	13.26	2.60	474	91	2	ALHI4042		
132		458	13.26	1.74	305	58	2	ALHI4032		
128		473	13.67	3.77	920	1100	2	HI4042	Available	
114	531	15.37	2.24	510	101	2	ALHI4042			
114	531	15.37	1.50	321	61	2	ALHI4032			
106	571	16.20	2.03	520	108	2	ALHI4042			

* INTEGRAL GEARMOTORS - SPECIFY MOUNTING TYPE I OR K, AND MOTOR HORSEPOWER (SEE PAGE I-8). CONSULT FACTORY FOR AVAILABILITY.

* MOTORIZED REDUCERS - SPECIFY MOUNTING TYPE E OR G, AND MOTOR PART NUMBER (SEE SECTION E)

ALL TORQUE VALUES LISTED IN INCH-POUNDS, ALL OVERHUNG LOAD AND THRUST LOAD VALUES LISTED IN POUNDS.

THE POINT OF APPLICATION OF OHL IS CONSIDERED TO BE APPLIED AT THE MIDPOINT OF SHAFT EXTENSION.

OHL AND THRUST RATINGS CANNOT BE APPLIED SIMULTANEOUSLY. CONSULT THE FACTORY FOR APPLICATIONS WITH COMBINED OHL AND THRUST LOAD.

AT SPEEDS ABOVE 1750 RPM, UNITS MAY BECOME THERMALLY LIMITED. FOR EXTENDED OPERATION, LIMIT HP TO 1750 RPM RATING.

Hub City Poweratio® 4000 & Spartan™ Helical In-Line Drives

Selection By Input H.P. @ 1750 RPM

HP	OUTPUT SPEED	OUTPUT TORQUE	RATIO	SERVICE FACTOR	OUTPUT OHL	OUTPUT THRUST	GEAR STAGES	MODEL*	INTEGRAL GEARMOTOR	
1	106	571	16.20	1.40	335	63	2	ALHI4032	Available	
	105	576	16.62	4.36	711	157	2	ALHI4052		
	105	576	16.66	3.13	980	1250	2	HI4042		
	92	658	18.80	1.75	535	108	2	ALHI4042		
	92	658	18.80	1.21	350	65	2	ALHI4032		
	88	691	20.00	5.83	1600	1400	2	HI4062	Available	
	87	695	20.10	3.60	780	157	2	ALHI4052		
	84	718	20.77	2.52	1050	1250	2	HI4042	Available	
	81	747	21.54	1.60	562	108	2	ALHI4042		
	81	747	21.54	1.07	374	67	2	ALHI4032		
	79	766	22.26	1.55	562	108	2	ALHI4042	Available	
	79	766	22.26	1.04	375	67	2	ALHI4032		
	70	864	24.98	2.66	877	175	2	ALHI4052		
	70	866	25.04	2.10	1150	1250	2	HI4042		
	65	931	26.30	1.25	615	121	2	ALHI4042		
	64	938	27.14	4.33	1600	1400	2	HI4062	Available	
	61	995	28.79	1.84	1150	1250	2	HI4042		
	60	1008	29.41	2.48	900	175	2	ALHI4052	Available	
	60	1008	29.40	1.17	629	121	2	ALHI4042		
	59	1024	29.62	3.97	1600	1400	2	HI4062	Available	
	54	1124	32.50	3.64	1600	1400	2	HI4062		
	52	1164	34.01	2.96	1060	260	3	ALHI4063		
	52	1164	34.01	2.10	918	225	3	ALHI4053		
	52	1164	33.50	1.06	645	135	3	ALHI4043		
	49	1242	35.91	3.30	1600	1400	2	HI4062	Available	
	49	1235	35.58	2.03	922	202	2	ALHI4052		
	48	1264	36.56	1.46	1150	1250	2	HI4042		
	46	1327	38.39	4.01	1700	1500	2	HI4662		Available
	44	1375	39.79	2.53	1192	260	3	ALHI4063		
	44	1375	39.79	1.80	988	225	3	ALHI4053		
	43	1407	40.50	1.82	1192	260	2	ALHI4062	Available	
	43	1407	40.50	1.72	988	202	2	ALHI4052		
	40	1513	44.23	1.83	1304	260	2	ALHI4062		
	40	1513	44.23	1.50	1012	202	2	ALHI4052		
	40	1525	44.10	1.21	1150	1250	2	HI4042		
	39	1556	45.00	2.64	1600	1400	2	HI4062		
	38	1604	46.38	3.33	1700	1500	2	HI4662		
	37	1635	47.22	2.13	1323	292	3	ALHI4063	Available	
	37	1635	47.22	1.51	1028	225	3	ALHI4053		
	36	1681	49.00	1.64	1330	260	2	ALHI4062	Available	
	36	1681	49.00	1.42	1028	260	2	ALHI4052		
	35	1745	50.47	1.01	1150	1250	2	HI4042		
	34	1783	51.57	3.00	1700	1500	2	HI4662		
	34	1772	51.25	2.33	1600	1400	2	HI4062		
	32	1891	54.73	1.84	1354	292	3	ALHI4063		
	32	1891	54.73	1.31	1041	225	3	ALHI4053		Available
	31	1887	55.74	3.85	2240	1620	3	HI4073		
	31	1906	56.30	2.74	1700	1500	3	HI4663		
	31	1889	55.79	2.18	1600	1400	3	HI4063		
	31	1952	57.13	1.76	1354	292	3	ALHI4063		

* INTEGRAL GEARMOTORS - SPECIFY MOUNTING TYPE I OR K, AND MOTOR HORSEPOWER (SEE PAGE I-8). CONSULT FACTORY FOR AVAILABILITY.
 * MOTORIZED REDUCERS - SPECIFY MOUNTING TYPE E OR G, AND MOTOR PART NUMBER (SEE SECTION E)
 ALL TORQUE VALUES LISTED IN INCH-POUNDS, ALL OVERHUNG LOAD AND THRUST LOAD VALUES LISTED IN POUNDS.
 THE POINT OF APPLICATION OF OHL IS CONSIDERED TO BE APPLIED AT THE MIDPOINT OF SHAFT EXTENSION.
 OHL AND THRUST RATINGS CANNOT BE APPLIED SIMULTANEOUSLY. CONSULT THE FACTORY FOR APPLICATIONS WITH COMBINED OHL AND THRUST LOAD.
 AT SPEEDS ABOVE 1750 RPM, UNITS MAY BECOME THERMALLY LIMITED. FOR EXTENDED OPERATION, LIMIT HP TO 1750 RPM RATING.

Hub City Poweratio® 4000 & Spartan™ Helical In-Line Drives

Selection By Input H.P. @ 1750 RPM

HP	OUTPUT SPEED	OUTPUT TORQUE	RATIO	SERVICE FACTOR	OUTPUT OHL	OUTPUT THRUST	GEAR STAGES	MODEL*	INTEGRAL GEARMOTOR
1	31	1952	57.13	1.25	1050	225	3	ALHI4053	
	30.3	1957	57.81	3.71	2240	1620	3	HI4073	Available
	29.0	2045	60.40	2.63	1700	1500	3	HI4663	Available
	29.0	2086	60.90	1.33	1367	260	2	ALHI4062	
	29.0	2086	60.90	1.04	1050	260	2	ALHI4052	
	28.4	2088	61.69	1.97	1600	1400	3	HI4063	Available
	27.8	2133	63.01	3.40	2240	1620	3	HI4073	Available
	26.9	2203	65.07	2.44	1700	1500	3	HI4663	Available
	26.5	2239	66.13	3.24	2240	1620	3	HI4073	Available
	26.0	2327	66.22	1.52	1398	292	3	ALHI4063	
	26.0	2327	66.22	1.08	1075	225	3	ALHI4053	
	25.7	2302	68.00	1.79	1600	1400	3	HI4063	Available
	25.0	2420	71.01	1.42	1398	292	3	ALHI4063	
	25.0	2420	71.01	1.01	1079	225	3	ALHI4053	
	24.7	2402	70.95	3.02	2240	1620	3	HI4073	Available
	24.4	2424	71.61	2.99	2240	1620	3	HI4073	Available
	23.7	2503	73.94	2.15	1700	1500	3	HI4663	Available
	23.1	2563	75.71	1.62	1600	1400	3	HI4063	Available
	23.0	2631	76.69	1.31	1414	292	3	ALHI4063	
	21.4	2773	81.92	2.62	2240	1620	3	HI4073	Available
	21.0	2881	82.30	1.22	1422	292	3	ALHI4063	
	20.7	2864	84.59	1.88	1700	1500	3	HI4663	Available
	20.6	2869	84.76	1.44	1600	1400	3	HI4063	Available
	20.2	2928	86.48	2.48	2240	1620	3	HI4073	Available
	19.9	2975	87.89	2.44	2240	1620	3	HI4073	Available
	19.1	3107	91.77	1.73	1700	1500	3	HI4663	Available
	19.0	3124	92.29	1.33	1600	1400	3	HI4063	Available
	19.0	3184	92.78	1.09	1430	292	3	ALHI4063	
	17.1	3460	102.22	1.20	1600	1400	3	HI4063	Available
	16.9	3505	103.53	3.91	3800	2400	3	HI4083	Available
	16.3	3626	107.12	2.00	2240	1620	3	HI4073	Available
	15.9	3733	110.28	3.67	3800	2400	3	HI4083	Available
	15.8	3747	110.67	1.43	1700	1500	3	HI4663	Available
	15.2	3894	115.03	1.06	1600	1400	3	HI4063	Available
	13.9	4267	126.03	3.21	3800	2400	3	HI4083	Available
	13.8	4307	127.22	1.25	1700	1500	3	HI4663	Available
	13.5	4401	130.00	1.65	2240	1620	3	HI4073	Available
	13.1	4520	133.53	1.61	2240	1620	3	HI4073	Available
	12.9	4580	135.30	2.99	3800	2400	3	HI4083	Available
	12.7	4674	138.08	2.93	3800	2400	3	HI4083	Available
	12.7	4668	137.88	1.15	1700	1500	3	HI4663	Available
	11.7	5059	149.43	1.44	2240	1620	3	HI4073	Available
	11.6	5100	150.66	2.69	3800	2400	3	HI4083	Available
	11.1	5333	157.54	2.57	3800	2400	3	HI4083	Available
	10.9	5452	161.04	1.33	2240	1620	3	HI4073	Available
	10.8	5370	161.57	1.00	1700	1500	3	HI4663	Available
	10.6	5597	165.33	2.45	3800	2400	3	HI4083	Available
	10.2	5790	171.04	2.37	3800	2400	3	HI4083	Available
	9.6	6184	182.68	2.22	3800	2400	3	HI4083	Available
	9.5	6266	185.10	1.16	2240	1620	3	HI4073	Available

* INTEGRAL GEARMOTORS - SPECIFY MOUNTING TYPE I OR K, AND MOTOR HORSEPOWER (SEE PAGE I-8). CONSULT FACTORY FOR AVAILABILITY.

* MOTORIZED REDUCERS - SPECIFY MOUNTING TYPE E OR G, AND MOTOR PART NUMBER (SEE SECTION E)

ALL TORQUE VALUES LISTED IN INCH-POUNDS, ALL OVERHUNG LOAD AND THRUST LOAD VALUES LISTED IN POUNDS.

THE POINT OF APPLICATION OF OHL IS CONSIDERED TO BE APPLIED AT THE MIDPOINT OF SHAFT EXTENSION.

OHL AND THRUST RATINGS CANNOT BE APPLIED SIMULTANEOUSLY. CONSULT THE FACTORY FOR APPLICATIONS WITH COMBINED OHL AND THRUST LOAD.

AT SPEEDS ABOVE 1750 RPM, UNITS MAY BECOME THERMALLY LIMITED. FOR EXTENDED OPERATION, LIMIT HP TO 1750 RPM RATING.

Hub City Poweratio® 4000 & Spartan™ Helical In-Line Drives

Selection By Input H.P. @ 1750 RPM

HP	OUTPUT SPEED	OUTPUT TORQUE	RATIO	SERVICE FACTOR	OUTPUT OHL	OUTPUT THRUST	GEAR STAGES	MODEL*	INTEGRAL GEARMOTOR
1	9.4	6318	186.62	2.17	3800	2400	3	HI4083	Available
	9.2	6425	189.79	1.13	2240	1620	3	HI4073	
	8.5	6933	204.80	1.98	3800	2400	3	HI4083	Available
	7.8	7557	223.22	3.52	4460	3440	3	HI4093	
	7.7	7660	226.28	1.79	3800	2400	3	HI4083	Available
	7.6	7750	228.92	1.77	3800	2400	3	HI4083	Available
	7.5	7936	234.40	3.35	4460	3440	3	HI4093	
	7.1	8396	248.00	3.17	4460	3440	3	HI4093	
	6.7	8826	260.72	1.55	3800	2400	3	HI4083	Available
	6.2	9570	282.69	2.78	4460	3440	3	HI4093	
	6.2	9600	283.57	1.43	3800	2400	3	HI4083	Available
	5.64	10502	310.23	1.30	3800	2400	4	HI4084	
	5.57	10632	314.06	2.50	4460	3440	3	HI4093	
	5.42	10933	322.95	1.25	3800	2400	3	HI4083	Available
	5.33	11107	328.09	3.43	6500	5350	3	HI4103	
	4.98	11892	351.29	1.15	3800	2400	4	HI4084	
	4.90	12100	357.43	2.20	4460	3440	4	HI4094	
	4.89	12105	357.56	3.15	6500	5350	4	HI4104	
	4.40	13472	397.95	2.83	6500	5350	4	HI4104	
	4.37	13552	400.30	1.01	3800	2400	4	HI4084	
	3.99	14835	438.20	1.79	4460	3440	4	HI4094	
	3.92	15113	446.41	2.52	6500	5350	4	HI4104	
	3.57	16612	490.71	1.60	4460	3440	4	HI4094	
	3.32	17867	527.77	2.13	6500	5350	4	HI4104	
	3.15	18785	554.88	1.42	4460	3440	4	HI4094	
	2.77	21363	631.04	1.25	4460	3440	4	HI4094	
	2.75	21540	636.26	1.77	6500	5350	4	HI4104	
	2.67	22209	656.02	1.20	4460	3440	4	HI4094	
	2.49	23785	702.58	1.60	6500	5350	4	HI4104	
	2.12	27970	826.21	1.36	6500	5350	4	HI4104	
	1.95	30356	896.70	1.26	6500	5350	4	HI4104	
	1.75	33785	997.98	1.13	6500	5350	4	HI4104	
1.71	34647	1023.44	1.10	6500	5350	4	HI4104		
1.56	37900	1119.52	1.01	6500	5350	4	HI4104		
1.5	681	133	2.57	12.38	960	890	2	HI4062	Available
	665	136	2.63	7.48	530	610	2	HI4042	Available
	593	153	2.95	6.93	550	630	2	HI4042	Available
	529	172	3.31	6.41	570	650	2	HI4042	Available
	503	180	3.48	3.34	204	31	2	ALHI4032	
	470	193	3.72	6.06	580	660	2	HI4042	Available
	416	218	4.21	5.86	590	650	2	HI4042	Available
	405	224	4.32	3.46	289	70	2	ALHI4042	
	405	224	4.32	2.69	216	31	2	ALHI4032	
	366	248	4.78	5.16	620	690	2	HI4042	Available
	320	284	5.47	4.51	650	730	2	HI4042	Available
	318	285	5.50	3.11	350	70	2	ALHI4042	
	318	285	5.50	2.11	230	31	2	ALHI4032	
	298	304	5.87	4.20	680	780	2	HI4042	Available
	285	318	6.13	4.53	710	840	2	HI4042	Available

* INTEGRAL GEARMOTORS - SPECIFY MOUNTING TYPE I OR K, AND MOTOR HORSEPOWER (SEE PAGE I-8). CONSULT FACTORY FOR AVAILABILITY.
 * MOTORIZED REDUCERS - SPECIFY MOUNTING TYPE E OR G, AND MOTOR PART NUMBER (SEE SECTION E)
 ALL TORQUE VALUES LISTED IN INCH-POUNDS, ALL OVERHUNG LOAD AND THRUST LOAD VALUES LISTED IN POUNDS.
 THE POINT OF APPLICATION OF OHL IS CONSIDERED TO BE APPLIED AT THE MIDPOINT OF SHAFT EXTENSION.
 OHL AND THRUST RATINGS CANNOT BE APPLIED SIMULTANEOUSLY. CONSULT THE FACTORY FOR APPLICATIONS WITH COMBINED OHL AND THRUST LOAD.
 AT SPEEDS ABOVE 1750 RPM, UNITS MAY BECOME THERMALLY LIMITED. FOR EXTENDED OPERATION, LIMIT HP TO 1750 RPM RATING.

Hub City Poweratio® 4000 & Spartan™ Helical In-Line Drives

Selection By Input H.P. @ 1750 RPM

HP	OUTPUT SPEED	OUTPUT TORQUE	RATIO	SERVICE FACTOR	OUTPUT OHL	OUTPUT THRUST	GEAR STAGES	MODEL*	INTEGRAL GEARMOTOR
1.5	275	330	6.36	2.88	376	72	2	ALHI4042	
	275	330	6.36	1.82	250	33	2	ALHI4032	
	255	356	6.86	4.10	740	880	2	HI4042	Available
	241	377	7.26	2.83	391	75	2	ALHI4042	
	241	377	7.26	1.60	260	33	2	ALHI4032	
	227	399	7.70	3.71	770	920	2	HI4042	Available
	222	409	7.89	2.47	400	75	2	ALHI4042	
	222	409	7.89	1.47	266	33	2	ALHI4032	
	220	413	7.96	5.82	579	117	2	ALHI4052	
	202	450	8.67	3.45	790	950	2	HI4042	
	185	491	9.45	5.11	615	117	2	ALHI4052	
	179	508	9.80	3.17	820	980	2	HI4042	
	174	522	10.04	2.28	420	81	2	ALHI4042	
	174	522	10.04	1.53	284	42	2	ALHI4032	
	157	578	11.14	2.94	850	1010	2	HI4042	Available
	153	593	11.43	4.39	658	135	2	ALHI4052	
	150	605	11.64	1.97	445	91	2	ALHI4042	
	150	605	11.64	1.32	293	55	2	ALHI4032	
	137	661	12.74	2.63	890	1060	2	HI4042	
	132	688	13.26	1.73	476	91	2	ALHI4042	
	132	688	13.26	1.16	305	55	2	ALHI4032	
	128	709	13.67	2.51	920	1100	2	HI4042	Available
	123	738	14.21	3.12	693	140	2	ALHI4052	
	114	796	15.37	1.49	508	101	2	ALHI4042	
	114	796	15.37	1.00	321	60	2	ALHI4032	
	106	856	16.20	1.35	520	101	2	ALHI4042	
	105	864	16.62	2.91	711	140	2	ALHI4052	
	105	864	16.66	2.08	980	1250	2	HI4042	Available
	88	1037	20.00	3.89	1600	1400	2	HI4062	Available
	87	1043	20.10	3.65	900	190	2	ALHI4062	
	87	1043	20.10	2.40	780	157	2	ALHI4052	
	84	1077	20.77	1.68	1050	1250	2	HI4042	Available
	82	1113	21.47	3.63	1600	1400	2	HI4062	Available
	81	1120	21.54	1.07	562	108	2	ALHI4042	
	70	1297	25.00	3.12	1600	1400	2	HI4062	
	70	1297	24.98	2.93	944	200	2	ALHI4062	
	70	1297	24.98	1.77	877	175	2	ALHI4052	
	70	1299	25.04	1.40	1150	1250	2	HI4042	Available
	64	1407	27.14	2.88	1600	1400	2	HI4062	Available
	61	1493	28.79	1.23	1150	1250	2	HI4042	Available
	60	1513	29.41	1.97	1012	200	2	ALHI4062	
	60	1513	29.41	1.65	900	175	2	ALHI4052	
	59	1536	29.62	2.65	1600	1400	2	HI4062	Available
	54	1687	32.53	3.14	1700	1500	2	HI4662	Available
	54	1685	32.50	2.43	1600	1400	2	HI4062	Available
	52	1745	34.01	1.97	1060	260	3	ALHI4063	
	52	1745	34.01	1.40	918	202	3	ALHI4053	

* INTEGRAL GEARMOTORS - SPECIFY MOUNTING TYPE I OR K, AND MOTOR HORSEPOWER (SEE PAGE I-8). CONSULT FACTORY FOR AVAILABILITY.

* MOTORIZED REDUCERS - SPECIFY MOUNTING TYPE E OR G, AND MOTOR PART NUMBER (SEE SECTION E)

ALL TORQUE VALUES LISTED IN INCH-POUNDS, ALL OVERHUNG LOAD AND THRUST LOAD VALUES LISTED IN POUNDS.

THE POINT OF APPLICATION OF OHL IS CONSIDERED TO BE APPLIED AT THE MIDPOINT OF SHAFT EXTENSION.

OHL AND THRUST RATINGS CANNOT BE APPLIED SIMULTANEOUSLY. CONSULT THE FACTORY FOR APPLICATIONS WITH COMBINED OHL AND THRUST LOAD.

AT SPEEDS ABOVE 1750 RPM, UNITS MAY BECOME THERMALLY LIMITED. FOR EXTENDED OPERATION, LIMIT HP TO 1750 RPM RATING.

Hub City Poweratio® 4000 & Spartan™ Helical In-Line Drives

Selection By Input H.P. @ 1750 RPM

HP	OUTPUT SPEED	OUTPUT TORQUE	RATIO	SERVICE FACTOR	OUTPUT OHL	OUTPUT THRUST	GEAR STAGES	MODEL*	INTEGRAL GEARMOTOR
1.5	49	1862	35.91	2.20	1600	1400	2	HI4062	Available
	49	1852	35.58	1.62	1079	260	2	ALHI4062	
	46	1991	38.39	2.67	1700	1500	2	HI4662	
	44	2063	39.79	1.69	1192	260	3	ALHI4063	
	44	2063	39.79	1.20	988	202	3	ALHI4053	
	43	2111	40.50	1.22	1192	260	2	ALHI4062	
	43	2111	40.50	1.15	988	202	2	ALHI4052	
	40	2269	44.23	1.22	1304	260	2	ALHI4062	
	40	2269	44.23	1.00	1012	202	2	ALHI4052	
	39	2321	44.75	3.13	2240	1620	2	HI4072	
	39	2334	45.00	1.76	1600	1400	2	HI4062	Available
	38	2405	46.38	2.22	1700	1500	2	HI4662	
	37	2453	47.22	1.42	1330	260	3	ALHI4063	
	37	2453	47.22	1.01	1028	202	3	ALHI4053	
	36	2521	49.00	1.09	1330	260	2	ALHI4062	
	35	2579	49.72	2.82	2240	1620	2	HI4072	
	34	2583	50.87	2.81	2240	1620	3	HI4073	Available
	34	2674	51.57	2.00	1700	1500	2	HI4662	
	34	2658	51.25	1.55	1600	1400	2	HI4062	Available
	32	2836	54.73	1.23	1354	292	3	ALHI4063	
	31	2830	55.74	2.56	2240	1620	3	HI4073	Available
	31	2859	56.30	1.83	1700	1500	3	HI4663	Available
	31	2833	55.79	1.45	1600	1400	3	HI4063	Available
	31	2928	57.13	1.17	1354	292	3	ALHI4063	Available
	30	2936	57.81	2.47	2240	1620	3	HI4073	
	29.0	3067	60.40	1.75	1700	1500	3	HI4663	Available
	28.4	3133	61.69	1.32	1600	1400	3	HI4063	Available
	27.8	3200	63.01	2.27	2240	1620	3	HI4073	Available
	26.9	3304	65.07	1.63	1700	1500	3	HI4663	Available
	26.5	3358	66.13	2.16	2240	1620	3	HI4073	Available
	26.0	3491	66.22	1.01	1398	292	3	ALHI4063	Available
	25.7	3453	68.00	1.19	1600	1400	3	HI4063	
	24.7	3603	70.95	2.02	2240	1620	3	HI4073	Available
	24.4	3636	71.61	2.00	2240	1620	3	HI4073	Available
	23.7	3755	73.94	1.43	1700	1500	3	HI4663	Available
	23.1	3845	75.71	1.08	1600	1400	3	HI4063	Available
	21.4	4160	81.92	1.75	2240	1620	3	HI4073	Available
	20.9	4244	83.58	3.23	3800	2400	3	HI4083	Available
	20.7	4295	84.59	1.25	1700	1500	3	HI4663	
	20.2	4400	86.65	3.11	3800	2400	3	HI4083	Available
	20.2	4391	86.48	1.65	2240	1620	3	HI4073	Available
	19.9	4463	87.89	1.63	2240	1620	3	HI4073	Available
	19.7	4521	89.03	3.03	3800	2400	3	HI4083	Available
	19.1	4660	91.77	1.15	1700	1500	3	HI4663	Available
	16.9	5257	103.53	2.61	3800	2400	3	HI4083	Available
	16.3	5440	107.12	1.33	2240	1620	3	HI4073	Available
	15.9	5600	110.28	2.45	3800	2400	3	HI4083	Available
	13.9	6400	126.03	2.14	3800	2400	3	HI4083	Available
	13.5	6601	130.00	1.10	2240	1620	3	HI4073	Available
	13.1	6767	133.27	3.93	4460	3440	3	HI4093	Available

* INTEGRAL GEARMOTORS - SPECIFY MOUNTING TYPE I OR K, AND MOTOR HORSEPOWER (SEE PAGE I-8). CONSULT FACTORY FOR AVAILABILITY.

* MOTORIZED REDUCERS - SPECIFY MOUNTING TYPE E OR G, AND MOTOR PART NUMBER (SEE SECTION E)

ALL TORQUE VALUES LISTED IN INCH-POUNDS, ALL OVERHUNG LOAD AND THRUST LOAD VALUES LISTED IN POUNDS.

THE POINT OF APPLICATION OF OHL IS CONSIDERED TO BE APPLIED AT THE MIDPOINT OF SHAFT EXTENSION.

OHL AND THRUST RATINGS CANNOT BE APPLIED SIMULTANEOUSLY. CONSULT THE FACTORY FOR APPLICATIONS WITH COMBINED OHL AND THRUST LOAD.

AT SPEEDS ABOVE 1750 RPM, UNITS MAY BECOME THERMALLY LIMITED. FOR EXTENDED OPERATION, LIMIT HP TO 1750 RPM RATING.

Hub City Poweratio® 4000 & Spartan™ Helical In-Line Drives

Selection By Input H.P. @ 1750 RPM

HP	OUTPUT SPEED	OUTPUT TORQUE	RATIO	SERVICE FACTOR	OUTPUT OHL	OUTPUT THRUST	GEAR STAGES	MODEL*	INTEGRAL GEARMOTOR
1.5	13.1	6781	133.53	1.07	2240	1620	3	HI4073	Available
	12.9	6871	135.30	1.99	3800	2400	3	HI4083	Available
	12.7	7012	138.08	1.95	3800	2400	3	HI4083	Available
	11.6	7651	150.66	1.79	3800	2400	3	HI4083	Available
	11.1	7980	157.15	3.33	4460	3440	3	HI4093	Available
	11.1	8000	157.54	1.71	3800	2400	3	HI4083	Available
	10.9	8158	160.67	3.26	4460	3440	3	HI4093	Available
	10.6	8395	165.33	1.63	3800	2400	3	HI4083	Available
	10.2	8685	171.04	1.58	3800	2400	3	HI4083	Available
	9.6	9277	182.68	1.48	3800	2400	3	HI4083	Available
	9.5	9399	185.09	2.83	4460	3440	3	HI4093	Available
	9.4	9477	186.62	1.45	3800	2400	3	HI4083	Available
	8.8	10105	199.01	2.63	4460	3440	3	HI4093	Available
	8.5	10400	204.80	1.32	3800	2400	3	HI4083	Available
	7.8	11335	223.22	2.35	4460	3440	3	HI4093	Available
	7.7	11491	226.28	1.19	3800	2400	3	HI4083	Available
	7.6	11625	228.92	1.18	3800	2400	3	HI4083	Available
	7.5	11903	234.40	2.23	4460	3440	3	HI4093	Available
	7.1	12593	248.00	2.11	4460	3440	3	HI4093	Available
	6.8	13079	257.56	2.91	6500	5350	3	HI4103	Available
	6.7	13239	260.72	1.03	3800	2400	3	HI4083	Available
	6.2	14355	282.69	1.85	4460	3440	3	HI4093	Available
	6.1	14531	286.15	2.62	6500	5350	3	HI4103	Available
	5.93	14996	295.31	2.54	6500	5350	3	HI4103	Available
	5.57	15948	314.06	1.67	4460	3440	3	HI4093	Available
	5.33	16660	328.09	2.29	6500	5350	3	HI4103	Available
	4.90	18150	357.43	1.47	4460	3440	4	HI4094	Available
	4.89	18157	357.56	2.10	6500	5350	4	HI4104	Available
	4.40	20208	397.95	1.89	6500	5350	4	HI4104	Available
	3.99	22252	438.20	1.20	4460	3440	4	HI4094	Available
	3.92	22669	446.41	1.68	6500	5350	4	HI4104	Available
	3.57	24918	490.71	1.07	4460	3440	4	HI4094	Available
3.32	26800	527.77	1.42	6500	5350	4	HI4104	Available	
2.75	32309	636.26	1.18	6500	5350	4	HI4104	Available	
2.49	35677	702.58	1.07	6500	5350	4	HI4104	Available	
2	681	178	2.57	9.28	960	890	2	HI4062	Available
	665	182	2.63	5.61	530	610	2	HI4042	Available
	593	204	2.95	5.20	550	630	2	HI4042	Available
	568	213	3.08	8.26	1010	930	2	HI4062	Available
	529	229	3.31	4.81	570	650	2	HI4042	Available
	503	241	3.48	2.94	268	70	2	ALHI4042	Available
	503	241	3.48	2.50	204	31	2	ALHI4032	Available
	470	257	3.72	4.55	580	660	2	HI4042	Available
	449	270	3.90	6.97	1090	1000	2	HI4062	Available
	416	291	4.21	4.40	590	650	2	HI4042	Available
	405	299	4.32	2.60	289	70	2	ALHI4042	Available
	405	299	4.32	2.01	216	31	2	ALHI4032	Available
	387	313	4.52	6.30	1140	1050	2	HI4062	Available
	366	331	4.78	3.87	620	690	2	HI4042	Available
	320	378	5.47	3.38	650	730	2	HI4042	Available

* INTEGRAL GEARMOTORS - SPECIFY MOUNTING TYPE I OR K, AND MOTOR HORSEPOWER (SEE PAGE I-8). CONSULT FACTORY FOR AVAILABILITY.

* MOTORIZED REDUCERS - SPECIFY MOUNTING TYPE E OR G, AND MOTOR PART NUMBER (SEE SECTION E)

ALL TORQUE VALUES LISTED IN INCH-POUNDS, ALL OVERHUNG LOAD AND THRUST LOAD VALUES LISTED IN POUNDS.

THE POINT OF APPLICATION OF OHL IS CONSIDERED TO BE APPLIED AT THE MIDPOINT OF SHAFT EXTENSION.

OHL AND THRUST RATINGS CANNOT BE APPLIED SIMULTANEOUSLY. CONSULT THE FACTORY FOR APPLICATIONS WITH COMBINED OHL AND THRUST LOAD.

AT SPEEDS ABOVE 1750 RPM, UNITS MAY BECOME THERMALLY LIMITED. FOR EXTENDED OPERATION, LIMIT HP TO 1750 RPM RATING.

Hub City Poweratio® 4000 & Spartan™ Helical In-Line Drives

Selection By Input H.P. @ 1750 RPM

HP	OUTPUT SPEED	OUTPUT TORQUE	RATIO	SERVICE FACTOR	OUTPUT OHL	OUTPUT THRUST	GEAR STAGES	MODEL*	INTEGRAL GEARMOTOR
2	318	381	5.50	2.34	350	70	2	ALHI4042	Available
	318	381	5.50	1.58	230	31	2	ALHI4032	
	298	406	5.87	3.15	680	780	2	HI4042	
	288	420	6.07	5.25	522	103	2	ALHI4052	
	285	424	6.13	3.40	710	840	2	HI4042	
	275	440	6.36	2.16	376	75	2	ALHI4042	Available
	275	440	6.36	1.37	250	33	2	ALHI4032	
	257	471	6.81	5.11	540	108	2	ALHI4052	
	255	474	6.86	3.08	740	880	2	HI4042	
	244	495	7.16	6.75	1180	990	2	HI4062	
	241	502	7.26	2.12	391	75	2	ALHI4042	Available
	241	502	7.26	1.20	260	33	2	ALHI4032	
	227	532	7.70	2.78	770	920	2	HI4042	
	222	545	7.89	1.85	400	81	2	ALHI4042	
	222	545	7.89	1.10	266	33	2	ALHI4032	
	220	550	7.96	4.37	579	108	2	ALHI4052	Available
	202	600	8.67	2.59	790	950	2	HI4042	
	193	626	9.06	5.51	1290	1110	2	HI4062	
	185	654	9.45	3.83	615	117	2	ALHI4052	Available
	179	678	9.80	2.38	820	980	2	HI4042	
	174	695	10.04	1.71	420	81	2	ALHI4042	
	174	695	10.04	1.15	284	41	2	ALHI4032	
	157	770	11.14	2.21	850	1010	2	HI4042	
	153	791	11.43	3.29	658	135	2	ALHI4052	Available
	150	807	11.64	1.47	445	91	2	ALHI4042	
	137	881	12.74	1.98	890	1060	2	HI4042	
	136	891	12.88	5.40	1700	1500	2	HI4662	
	132	917	13.26	1.30	476	91	2	ALHI4042	
	128	945	13.67	1.88	920	1100	2	HI4042	Available
	127	951	13.75	4.11	1470	1260	2	HI4062	
	123	984	14.21	3.87	850	171	2	ALHI4062	
	123	984	14.21	2.34	693	139	2	ALHI4052	
	114	1061	15.37	1.12	508	101	2	ALHI4042	
	107	1136	16.43	3.52	1560	1370	2	HI4062	Available
	106	1142	16.20	1.02	520	101	2	ALHI4042	
	105	1152	16.62	2.18	711	139	2	ALHI4052	
	105	1152	16.66	1.56	980	1250	2	HI4042	
	100	1210	17.50	3.31	1600	1400	2	HI4062	
	96	1262	18.25	4.12	1700	1500	2	HI4662	Available
	88	1383	20.00	2.91	1600	1400	2	HI4062	
	87	1391	20.10	2.74	900	189	2	ALHI4062	
	87	1391	20.10	1.80	780	157	2	ALHI4052	
	84	1436	20.77	1.26	1050	1250	2	HI4042	
	82	1485	21.47	2.72	1600	1400	2	HI4062	Available
	81	1497	21.65	3.49	1700	1500	2	HI4662	
	70	1729	25.00	2.34	1600	1400	2	HI4062	
	70	1729	24.98	2.20	944	200	2	ALHI4062	

* INTEGRAL GEARMOTORS - SPECIFY MOUNTING TYPE I OR K, AND MOTOR HORSEPOWER (SEE PAGE I-8). CONSULT FACTORY FOR AVAILABILITY.

* MOTORIZED REDUCERS - SPECIFY MOUNTING TYPE E OR G, AND MOTOR PART NUMBER (SEE SECTION E)

ALL TORQUE VALUES LISTED IN INCH-POUNDS, ALL OVERHUNG LOAD AND THRUST LOAD VALUES LISTED IN POUNDS.

THE POINT OF APPLICATION OF OHL IS CONSIDERED TO BE APPLIED AT THE MIDPOINT OF SHAFT EXTENSION.

OHL AND THRUST RATINGS CANNOT BE APPLIED SIMULTANEOUSLY. CONSULT THE FACTORY FOR APPLICATIONS WITH COMBINED OHL AND THRUST LOAD.

AT SPEEDS ABOVE 1750 RPM, UNITS MAY BECOME THERMALLY LIMITED. FOR EXTENDED OPERATION, LIMIT HP TO 1750 RPM RATING.

Hub City Poweratio® 4000 & Spartan™ Helical In-Line Drives

Selection By Input H.P. @ 1750 RPM

HP	OUTPUT SPEED	OUTPUT TORQUE	RATIO	SERVICE FACTOR	OUTPUT OHL	OUTPUT THRUST	GEAR STAGES	MODEL*	INTEGRAL GEARMOTOR
2	70	1729	24.98	1.33	877	175	2	ALHI4052	
	70	1731	25.04	1.05	1150	1250	2	HI4042	Available
	67	1811	26.19	2.90	1700	1500	2	HI4662	Available
	64	1877	27.14	2.16	1600	1400	2	HI4062	Available
	60	2017	29.41	1.48	1012	200	2	ALHI4062	
	60	2017	29.41	1.24	900	175	2	ALHI4052	
	59	2048	29.62	1.99	1600	1400	2	HI4062	Available
	56	2179	31.51	3.33	2200	1620	2	HI4072	Available
	54	2249	32.53	2.36	1700	1500	2	HI4662	Available
	54	2247	32.50	1.82	1600	1400	2	HI4062	Available
	52	2327	34.01	1.48	1060	260	3	ALHI4063	
	52	2327	34.01	1.05	918	202	3	ALHI4053	
	49	2483	35.91	1.65	1600	1400	2	HI4062	Available
	49	2470	35.58	1.01	922	202	2	ALHI4052	
	47	2566	37.11	2.83	2230	1620	2	HI4072	
	46	2655	38.39	2.00	1700	1500	2	HI4662	
	44	2750	39.79	1.27	1192	260	3	ALHI4063	
	39	3094	44.75	2.35	2240	1620	2	HI4072	
	39	3112	45.00	1.32	1600	1400	2	HI4062	Available
	38	3207	46.38	1.67	1700	1500	2	HI4662	
	37	3270	47.22	1.07	1330	260	3	ALHI4063	
	35	3438	49.72	2.11	2240	1620	2	HI4072	
	34	3444	50.87	2.11	2240	1620	3	HI4073	Available
	34	3566	51.57	1.50	1700	1500	2	HI4662	
	34	3544	51.25	1.16	1600	1400	2	HI4062	Available
	33	3622	53.50	3.78	3800	2400	3	HI4083	
	31	3867	57.11	3.54	3800	2400	3	HI4083	Available
	31	3774	55.74	1.92	2240	1620	3	HI4073	Available
	31	3812	56.30	1.37	1700	1500	3	HI4663	Available
	31	3777	55.79	1.09	1600	1400	3	HI4063	Available
	30	3914	57.81	1.85	2240	1620	3	HI4073	Available
	29.0	4089	60.40	1.31	1700	1500	3	HI4663	Available
	27.8	4266	63.01	1.70	2240	1620	3	HI4073	Available
	26.9	4406	65.07	1.22	1700	1500	3	HI4663	Available
	26.5	4477	66.13	1.62	2240	1620	3	HI4073	Available
	26.4	4487	66.27	3.05	3800	2400	3	HI4083	
	25.0	4736	69.95	2.89	3800	2400	3	HI4083	Available
	24.7	4804	70.95	1.51	2240	1620	3	HI4073	Available
	24.4	4848	71.61	1.50	2240	1620	3	HI4073	Available
	23.7	5006	73.94	1.07	1700	1500	3	HI4663	Available
	21.4	5547	81.92	1.31	2240	1620	3	HI4073	Available
	20.9	5659	83.58	2.42	3800	2400	3	HI4083	Available
	20.2	5867	86.65	2.34	3800	2400	3	HI4083	Available
	20.2	5855	86.48	1.24	2240	1620	3	HI4073	Available
	19.9	5951	87.89	1.22	2240	1620	3	HI4073	Available
	19.7	6028	89.03	2.27	3800	2400	3	HI4083	Available
	16.9	7010	103.53	1.95	3800	2400	3	HI4083	Available
	16.6	7125	105.23	3.73	4460	3440	3	HI4093	Available
	16.3	7253	107.12	1.00	2240	1620	3	HI4073	Available
	15.9	7467	110.28	1.83	3800	2400	3	HI4083	Available

* INTEGRAL GEARMOTORS - SPECIFY MOUNTING TYPE I OR K, AND MOTOR HORSEPOWER (SEE PAGE I-8). CONSULT FACTORY FOR AVAILABILITY.

* MOTORIZED REDUCERS - SPECIFY MOUNTING TYPE E OR G, AND MOTOR PART NUMBER (SEE SECTION E)

ALL TORQUE VALUES LISTED IN INCH-POUNDS, ALL OVERHUNG LOAD AND THRUST LOAD VALUES LISTED IN POUNDS.

THE POINT OF APPLICATION OF OHL IS CONSIDERED TO BE APPLIED AT THE MIDPOINT OF SHAFT EXTENSION.

OHL AND THRUST RATINGS CANNOT BE APPLIED SIMULTANEOUSLY. CONSULT THE FACTORY FOR APPLICATIONS WITH COMBINED OHL AND THRUST LOAD.

AT SPEEDS ABOVE 1750 RPM, UNITS MAY BECOME THERMALLY LIMITED. FOR EXTENDED OPERATION, LIMIT HP TO 1750 RPM RATING.

Hub City Poweratio® 4000 & Spartan™ Helical In-Line Drives

Selection By Input H.P. @ 1750 RPM

HP	OUTPUT SPEED	OUTPUT TORQUE	RATIO	SERVICE FACTOR	OUTPUT OHL	OUTPUT THRUST	GEAR STAGES	MODEL*	INTEGRAL GEARMOTOR	
2	15.5	7632	112.71	3.49	4460	3440	3	HI4093	Available	
	13.9	8533	126.03	1.61	3800	2400	3	HI4083	Available	
	13.8	8590	126.87	3.10	4460	3440	3	HI4093	Available	
	13.1	9023	133.27	2.95	4460	3440	3	HI4093	Available	
	12.9	9161	135.30	1.50	3800	2400	3	HI4083	Available	
	12.7	9349	138.08	1.47	3800	2400	3	HI4083	Available	
	12.0	9912	146.39	3.84	6500	5350	3	HI4103	Available	
	11.6	10201	150.66	1.34	3800	2400	3	HI4083	Available	
	11.1	10640	157.15	2.50	4460	3440	3	HI4093	Available	
	11.1	10667	157.54	1.28	3800	2400	3	HI4083	Available	
	10.9	10878	160.67	2.45	4460	3440	3	HI4093	Available	
	10.6	11194	165.33	1.22	3800	2400	3	HI4083	Available	
	10.4	11365	167.85	3.35	6500	5350	3	HI4103	Available	
	10.2	11581	171.04	1.18	3800	2400	3	HI4083	Available	
	9.7	12277	181.32	3.10	6500	5350	3	HI4103	Available	
	9.6	12369	182.68	1.11	3800	2400	3	HI4083	Available	
	9.5	12532	185.09	2.12	4460	3440	3	HI4093	Available	
	9.4	12635	186.62	1.08	3800	2400	3	HI4083	Available	
	8.8	13473	199.01	1.97	4460	3440	3	HI4093	Available	
	8.4	14076	207.90	2.71	6500	5350	3	HI4103	Available	
	7.8	15114	223.22	1.76	4460	3440	3	HI4093	Available	
	7.5	15871	234.40	1.68	4460	3440	3	HI4093	Available	
	7.1	16791	248.00	1.58	4460	3440	3	HI4093	Available	
	6.8	17439	257.56	2.18	6500	5350	3	HI4103	Available	
	6.2	19139	282.69	1.39	4460	3440	3	HI4093	Available	
	6.1	19374	286.15	1.97	6500	5350	3	HI4103	Available	
	5.93	19995	295.31	1.91	6500	5350	3	HI4103	Available	
	5.57	21264	314.06	1.25	4460	3440	3	HI4093	Available	
	5.33	22214	328.09	1.72	6500	5350	3	HI4103	Available	
	4.90	24200	357.43	1.10	4460	3440	4	HI4094	Available	
	4.89	24209	357.56	1.57	6500	5350	4	HI4104	Available	
	4.40	26944	397.95	1.41	6500	5350	4	HI4104	Available	
	3.92	30225	446.41	1.26	6500	5350	4	HI4104	Available	
	3.32	35734	527.77	1.07	6500	5350	4	HI4104	Available	
	3	732	248	2.39	9.52	1280	1400	2	HI4072	Available▲
		726	250	2.41	8.96	1230	1160	2	HI4662	Available▲
		681	267	2.57	6.19	960	890	2	HI4062	Available▲
		665	273	2.63	3.74	530	610	2	HI4042	Available▲
		593	306	2.95	3.46	550	630	2	HI4042	Available
		568	319	3.08	5.51	1010	930	2	HI4062	Available▲
529		343	3.31	3.20	570	650	2	HI4042	Available▲	
503		361	3.48	1.96	268	70	2	ALHI4042	Available▲	
503		361	3.48	1.67	204	31	2	ALHI4032	Available▲	
485		374	3.61	3.93	450	103	2	ALHI4052	Available▲	
470		386	3.72	3.03	580	660	2	HI4042	Available▲	
449		405	3.90	4.65	1090	1000	2	HI4062	Available▲	
432		420	4.05	6.57	1420	1320	2	HI4662	Available▲	
416		437	4.21	2.93	590	650	2	HI4042	Available▲	
414		438	4.23	4.09	474	103	2	ALHI4052	Available▲	

* INTEGRAL GEARMOTORS - SPECIFY MOUNTING TYPE I OR K, AND MOTOR HORSEPOWER (SEE PAGE I-8). CONSULT FACTORY FOR AVAILABILITY.

* MOTORIZED REDUCERS - SPECIFY MOUNTING TYPE E OR G, AND MOTOR PART NUMBER (SEE SECTION E)

ALL TORQUE VALUES LISTED IN INCH-POUNDS, ALL OVERHUNG LOAD AND THRUST LOAD VALUES LISTED IN POUNDS.

THE POINT OF APPLICATION OF OHL IS CONSIDERED TO BE APPLIED AT THE MIDPOINT OF SHAFT EXTENSION.

OHL AND THRUST RATINGS CANNOT BE APPLIED SIMULTANEOUSLY. CONSULT THE FACTORY FOR APPLICATIONS WITH COMBINED OHL AND THRUST LOAD.

AT SPEEDS ABOVE 1750 RPM, UNITS MAY BECOME THERMALLY LIMITED. FOR EXTENDED OPERATION, LIMIT HP TO 1750 RPM RATING.

▲ INTEGRAL GEARMOTOR AVAILABLE ONLY IN MOUNTING TYPE K (FLANGE MOUNT).

Poweratio® 4000 & Spartan™ Helical In-Line Drives

Hub City Poweratio® 4000 & Spartan™ Helical In-Line Drives

Selection By Input H.P. @ 1750 RPM

HP	OUTPUT SPEED	OUTPUT TORQUE	RATIO	SERVICE FACTOR	OUTPUT OHL	OUTPUT THRUST	GEAR STAGES	MODEL*	INTEGRAL GEARMOTOR
3	405	448	4.32	1.73	289	70	2	ALHI4042	
	405	448	4.32	1.34	216	31	2	ALHI4032	
	387	469	4.52	4.20	1140	1050	2	HI4062	Available▲
	366	496	4.78	2.58	620	690	2	HI4042	Available▲
	349	520	5.01	4.23	491	103	2	ALHI4052	
	331	548	5.28	5.42	1540	1430	2	HI4662	Available▲
	320	567	5.47	2.26	650	730	2	HI4042	Available▲
	318	571	5.50	1.56	350	70	2	ALHI4042	
	298	609	5.87	2.10	680	780	2	HI4042	Available▲
	293	620	5.98	5.26	1080	870	2	HI4062	Available▲
	289	628	6.07	3.50	522	103	2	ALHI4052	
	285	636	6.13	2.26	710	840	2	HI4042	Available▲
	275	660	6.36	1.44	376	70	2	ALHI4042	
	265	686	6.61	5.47	1640	1500	2	HI4662	Available▲
	257	706	6.81	4.05	646	135	2	ALHI4062	
	257	706	6.81	3.41	540	108	2	ALHI4052	
	255	712	6.86	2.05	740	880	2	HI4042	Available▲
	244	743	7.16	4.50	1180	990	2	HI4062	Available▲
	241	753	7.26	1.41	391	75	2	ALHI4042	
	235	772	7.44	5.09	1690	1500	2	HI4662	Available▲
	227	799	7.70	1.85	770	920	2	HI4042	Available▲
	222	818	7.89	1.23	400	75	2	ALHI4042	
	220	825	7.96	3.85	663	135	2	ALHI4062	
	220	825	7.96	2.91	579	108	2	ALHI4052	
	217	835	8.05	5.01	1700	1500	2	HI4662	
	202	899	8.67	1.72	790	950	2	HI4042	Available▲
	193	940	9.06	3.67	1290	1110	2	HI4062	Available▲
	192	944	9.10	4.56	1700	1500	2	HI4662	
	185	981	9.45	3.06	674	144	2	ALHI4062	
	185	981	9.45	2.55	615	117	2	ALHI4052	
	179	1016	9.80	1.58	820	980	2	HI4042	Available▲
	177	1026	9.89	4.32	1700	1500	2	HI4662	Available▲
	174	1043	10.04	1.14	420	81	2	ALHI4042	
	166	1091	10.52	3.37	1340	1140	2	HI4062	Available▲
	157	1155	11.14	1.47	850	1010	2	HI4042	Available▲
	156	1167	11.25	3.99	1700	1500	2	HI4662	
	153	1186	11.43	2.19	658	135	2	ALHI4052	
	137	1321	12.74	1.32	890	1060	2	HI4042	Available▲
	136	1336	12.88	3.60	1700	1500	2	HI4662	Available▲
	128	1418	13.67	1.26	920	1100	2	HI4042	Available▲
	127	1426	13.75	2.74	1470	1260	2	HI4062	Available▲
	123	1476	14.21	2.58	850	170	2	ALHI4062	
	123	1476	14.21	1.56	693	139	2	ALHI4052	
	112	1619	15.61	3.11	1700	1500	2	HI4662	
	107	1704	16.43	2.35	1560	1370	2	HI4062	Available▲
	105	1729	16.62	2.20	872	170	2	ALHI4062	
	105	1729	16.62	1.45	711	139	2	ALHI4052	
	105	1728	16.66	1.04	980	1250	2	HI4042	

* INTEGRAL GEARMOTORS - SPECIFY MOUNTING TYPE I OR K, AND MOTOR HORSEPOWER (SEE PAGE I-8). CONSULT FACTORY FOR AVAILABILITY.

* MOTORIZED REDUCERS - SPECIFY MOUNTING TYPE E OR G, AND MOTOR PART NUMBER (SEE SECTION E)

ALL TORQUE VALUES LISTED IN INCH-POUNDS, ALL OVERHUNG LOAD AND THRUST LOAD VALUES LISTED IN POUNDS.

THE POINT OF APPLICATION OF OHL IS CONSIDERED TO BE APPLIED AT THE MIDPOINT OF SHAFT EXTENSION.

OHL AND THRUST RATINGS CANNOT BE APPLIED SIMULTANEOUSLY. CONSULT THE FACTORY FOR APPLICATIONS WITH COMBINED OHL AND THRUST LOAD.

AT SPEEDS ABOVE 1750 RPM, UNITS MAY BECOME THERMALLY LIMITED. FOR EXTENDED OPERATION, LIMIT HP TO 1750 RPM RATING.

▲ INTEGRAL GEARMOTOR AVAILABLE ONLY IN MOUNTING TYPE K (FLANGE MOUNT).

Hub City Poweratio® 4000 & Spartan™ Helical In-Line Drives

Selection By Input H.P. @ 1750 RPM

HP	OUTPUT SPEED	OUTPUT TORQUE	RATIO	SERVICE FACTOR	OUTPUT OHL	OUTPUT THRUST	GEAR STAGES	MODEL*	INTEGRAL GEARMOTOR
3	100	1815	17.50	2.21	1600	1400	2	HI4062	Available▲
	98	1851	17.85	3.73	2030	1620	2	HI4072	Available
	96	1893	18.25	2.75	1700	1500	2	HI4662	Available▲
	88	2074	20.00	1.94	1600	1400	2	HI4062	Available▲
	87	2086	20.10	1.82	900	189	2	ALHI4062	
	87	2086	20.10	1.20	780	157	2	ALHI4052	
	83	2189	21.10	3.32	2120	1620	2	HI4072	Available
	82	2227	21.47	1.81	1600	1400	2	HI4062	Available▲
	81	2246	21.65	2.33	1700	1500	2	HI4662	Available▲
	70	2593	25.00	1.56	1600	1400	2	HI4062	Available▲
	70	2593	24.98	1.47	944	200	2	ALHI4062	
	69	2639	25.44	2.75	2150	1620	2	HI4072	Available
	67	2716	26.19	1.94	1700	1500	2	HI4662	Available▲
	64	2815	27.14	1.44	1600	1400	2	HI4062	Available▲
	59	3072	29.62	1.32	1600	1400	2	HI4062	
	56	3268	31.51	2.22	2200	1620	2	HI4072	Available
	54	3374	32.53	1.57	1700	1500	2	HI4662	Available▲
	54	3371	32.50	1.21	1600	1400	2	HI4062	
	49	3725	35.91	1.10	1600	1400	2	HI4062	
	47	3849	37.11	1.89	2230	1620	2	HI4072	
	46	3971	38.29	5.84	3370	3440	2	HI4092	
	46	3982	38.39	1.34	1700	1500	2	HI4662	
	39	4642	44.75	2.88	3800	2400	2	HI4082	
	39	4642	44.75	1.56	2240	1620	2	HI4072	
	38	4811	46.38	1.11	1700	1500	2	HI4662	
	35	5157	49.72	2.60	3800	2400	2	HI4082	
	35	5157	49.72	1.41	2240	1620	2	HI4072	
	34	5166	50.87	1.41	2240	1620	3	HI4073	Available
	34	5349	51.57	1.00	1700	1500	2	HI4662	
	33	5433	53.50	2.52	3800	2400	3	HI4083	Available
	31	5800	57.11	2.36	3800	2400	3	HI4083	Available
	31	5661	55.74	1.28	2240	1620	3	HI4073	Available
	30	5871	57.81	1.24	2240	1620	3	HI4073	Available
	29.2	6209	59.86	3.77	3370	3440	2	HI4092	
	28.1	6316	62.19	4.21	4460	3440	3	HI4093	Available
	27.8	6399	63.01	1.13	2240	1620	3	HI4073	Available
	27.6	6436	63.37	4.13	4460	3440	3	HI4093	Available
	26.5	6716	66.13	1.08	2240	1620	3	HI4073	Available
	26.4	6730	66.27	2.04	3800	2400	3	HI4083	Available
	26.1	6956	67.06	3.36	3370	3440	2	HI4092	
	25.0	7104	69.95	1.93	3800	2400	3	HI4083	Available
	24.9	7152	70.42	3.72	4460	3440	3	HI4093	
	24.8	7162	70.52	5.32	6300	5350	3	HI4103	Available
	24.7	7206	70.95	1.01	2240	1620	3	HI4073	Available
	24.4	7273	71.61	1.00	2240	1620	3	HI4073	Available
	23.9	7426	73.12	5.13	6300	5350	3	HI4103	Available
	21.8	8149	80.24	3.26	4460	3440	3	HI4093	Available
	20.9	8515	83.84	4.47	6500	5350	3	HI4103	Available
20.9	8488	83.58	1.61	3800	2400	3	HI4083	Available	
20.2	8800	86.65	1.56	3800	2400	3	HI4083	Available	

* INTEGRAL GEARMOTORS - SPECIFY MOUNTING TYPE I OR K, AND MOTOR HORSEPOWER (SEE PAGE I-8). CONSULT FACTORY FOR AVAILABILITY.

* MOTORIZED REDUCERS - SPECIFY MOUNTING TYPE E OR G, AND MOTOR PART NUMBER (SEE SECTION E)

ALL TORQUE VALUES LISTED IN INCH-POUNDS, ALL OVERHUNG LOAD AND THRUST LOAD VALUES LISTED IN POUNDS.

THE POINT OF APPLICATION OF OHL IS CONSIDERED TO BE APPLIED AT THE MIDPOINT OF SHAFT EXTENSION.

OHL AND THRUST RATINGS CANNOT BE APPLIED SIMULTANEOUSLY. CONSULT THE FACTORY FOR APPLICATIONS WITH COMBINED OHL AND THRUST LOAD.

AT SPEEDS ABOVE 1750 RPM, UNITS MAY BECOME THERMALLY LIMITED. FOR EXTENDED OPERATION, LIMIT HP TO 1750 RPM RATING.

▲ INTEGRAL GEARMOTOR AVAILABLE ONLY IN MOUNTING TYPE K (FLANGE MOUNT).

Poweratio® 4000 & Spartan™ Helical In-Line Drives

Hub City Poweratio® 4000 & Spartan™ Helical In-Line Drives

Selection By Input H.P. @ 1750 RPM

HP	OUTPUT SPEED	OUTPUT TORQUE	RATIO	SERVICE FACTOR	OUTPUT OHL	OUTPUT THRUST	GEAR STAGES	MODEL*	INTEGRAL GEARMOTOR	
3	19.7	9040	89.01	2.94	4460	3440	3	HI4093	Available	
	19.7	9042	89.03	1.52	3800	2400	3	HI4083	Available	
	17.0	10430	102.70	3.65	6500	5350	3	HI4103	Available	
	16.9	10515	103.53	1.30	3800	2400	3	HI4083	Available	
	16.6	10687	105.23	2.49	4460	3440	3	HI4093	Available	
	15.9	11200	110.28	1.22	3800	2400	3	HI4083	Available	
	15.5	11448	112.71	2.32	4460	3440	3	HI4093	Available	
	14.9	11960	117.76	3.19	6500	5350	3	HI4103	Available	
	14.4	12332	121.43	3.09	6500	5350	3	HI4103	Available	
	13.9	12800	126.03	1.07	3800	2400	3	HI4083	Available	
	13.8	12885	126.87	2.06	4460	3440	3	HI4093	Available	
	13.1	13534	133.27	1.97	4460	3440	3	HI4093	Available	
	12.9	13741	135.30	1.00	3800	2400	3	HI4083	Available	
	12.6	14140	139.23	2.69	6500	5350	3	HI4103	Available	
	12.0	14867	146.39	2.56	6500	5350	3	HI4103	Available	
	11.1	15960	157.15	1.67	4460	3440	3	HI4093	Available	
	10.9	16317	160.67	1.63	4460	3440	3	HI4093	Available	
	10.4	17047	167.85	2.24	6500	5350	3	HI4103	Available	
	9.7	18415	181.32	2.07	6500	5350	3	HI4103	Available	
	9.5	18798	185.09	1.42	4460	3440	3	HI4093	Available	
	8.8	20209	199.01	1.32	4460	3440	3	HI4093	Available	
	8.4	21114	207.90	1.80	6500	5350	3	HI4103	Available	
	7.8	22670	223.22	1.17	4460	3440	3	HI4093	Available	
	7.5	23807	234.40	1.12	4460	3440	3	HI4093	Available	
	7.1	25187	248.00	1.06	4460	3440	3	HI4093	Available	
	6.8	26158	257.56	1.46	6500	5350	3	HI4103	Available	
	6.1	29061	286.15	1.31	6500	5350	3	HI4103	Available	
	5.93	29992	295.31	1.27	6500	5350	3	HI4103	Available	
	5.33	33321	328.09	1.14	6500	5350	3	HI4103	Available	
	4.89	36314	357.56	1.05	6500	5350	4	HI4104	Available	
	5	732	413	2.39	5.71	1280	1400	2	HI4072	Available
		726	417	2.41	5.38	1230	1160	2	HI4662	Available▲
681		444	2.57	3.71	960	890	2	HI4062	Available	
665		455	2.63	2.24	530	610	2	HI4042	Available▲	
655		462	2.67	5.70	1340	1500	2	HI4072	Available▲	
646		468	2.71	5.04	1270	1190	2	HI4662	Available▲	
593		510	2.95	2.08	550	630	2	HI4042	Available▲	
585		517	2.99	5.44	1350	1580	2	HI4072	Available	
574		527	3.05	4.70	1310	1220	2	HI4662	Available▲	
568		532	3.08	3.31	1010	930	2	HI4062	Available▲	
543		557	3.22	5.10	1350	1580	2	HI4072	Available	
530		570	3.30	4.52	1330	1240	2	HI4662	Available	
529		572	3.31	1.92	570	650	2	HI4042	Available▲	
485		624	3.61	2.36	450	103	2	ALHI4052	Available	
483		626	3.62	4.60	1450	1580	2	HI4072	Available	
470		643	3.72	1.82	580	660	2	HI4042	Available▲	
469		645	3.73	4.17	1370	1260	2	HI4662	Available	
449		674	3.90	2.79	1090	1000	2	HI4062	Available▲	
446		678	3.92	4.37	1550	1580	2	HI4072	Available	
432		700	4.05	3.94	1420	1320	2	HI4662	Available▲	

* INTEGRAL GEARMOTORS - SPECIFY MOUNTING TYPE I OR K, AND MOTOR HORSEPOWER (SEE PAGE I-8). CONSULT FACTORY FOR AVAILABILITY.

* MOTORIZED REDUCERS - SPECIFY MOUNTING TYPE E OR G, AND MOTOR PART NUMBER (SEE SECTION E)

ALL TORQUE VALUES LISTED IN INCH-POUNDS, ALL OVERHUNG LOAD AND THRUST LOAD VALUES LISTED IN POUNDS.

THE POINT OF APPLICATION OF OHL IS CONSIDERED TO BE APPLIED AT THE MIDPOINT OF SHAFT EXTENSION.

OHL AND THRUST RATINGS CANNOT BE APPLIED SIMULTANEOUSLY. CONSULT THE FACTORY FOR APPLICATIONS WITH COMBINED OHL AND THRUST LOAD.

AT SPEEDS ABOVE 1750 RPM, UNITS MAY BECOME THERMALLY LIMITED. FOR EXTENDED OPERATION, LIMIT HP TO 1750 RPM RATING.

▲ INTEGRAL GEARMOTOR AVAILABLE ONLY IN MOUNTING TYPE K (FLANGE MOUNT).

Hub City Poweratio® 4000 & Spartan™ Helical In-Line Drives

Selection By Input H.P. @ 1750 RPM

HP	OUTPUT SPEED	OUTPUT TORQUE	RATIO	SERVICE FACTOR	OUTPUT OHL	OUTPUT THRUST	GEAR STAGES	MODEL*	INTEGRAL GEARMOTOR
5	416	728	4.21	1.76	590	650	2	HI4042	Available▲
	414	731	4.23	2.45	474	103	2	ALHI4052	
	394	768	4.44	4.00	1620	1580	2	HI4072	
	387	781	4.52	2.52	1140	1050	2	HI4062	Available▲
	380	797	4.61	3.60	1470	1360	2	HI4662	
	366	826	4.78	1.55	620	690	2	HI4042	Available▲
	349	867	5.01	2.65	603	126	2	ALHI4062	
	349	867	5.01	2.65	491	103	2	ALHI4052	
	346	875	5.06	3.66	1640	1580	2	HI4072	Available
	331	913	5.28	3.25	1540	1430	2	HI4662	Available▲
	320	946	5.47	1.35	650	730	2	HI4042	Available▲
	298	1016	5.88	3.62	1550	1430	2	HI4662	Available▲
	298	1015	5.87	1.26	680	780	2	HI4042	Available▲
	293	1034	5.98	3.15	1080	870	2	HI4062	Available▲
	291	1039	6.01	5.03	1685	1580	2	HI4072	Available
	289	1047	6.07	2.65	629	126	2	ALHI4062	
	289	1047	6.07	2.10	522	103	2	ALHI4052	
	285	1060	6.13	1.36	710	840	2	HI4042	Available▲
	265	1143	6.61	3.28	1640	1500	2	HI4662	Available▲
	261	1160	6.71	4.66	1685	1580	2	HI4072	Available
	257	1177	6.81	2.43	646	135	2	ALHI4062	
	257	1177	6.81	2.04	540	108	2	ALHI4052	
	255	1186	6.86	1.23	740	880	2	HI4042	Available▲
	244	1238	7.16	2.70	1180	990	2	HI4062	Available▲
	235	1286	7.44	3.06	1690	1500	2	HI4662	Available▲
	233	1297	7.50	4.29	1685	1580	2	HI4072	Available
	227	1331	7.70	1.11	770	920	2	HI4042	Available▲
	220	1375	7.96	2.31	663	135	2	ALHI4062	
	220	1375	7.96	1.75	579	117	2	ALHI4052	
	217	1392	8.05	3.00	1700	1500	2	HI4662	
	216	1399	8.09	4.06	1685	1580	2	HI4072	
	202	1499	8.67	1.03	790	950	2	HI4042	Available▲
	193	1566	9.06	2.20	1290	1110	2	HI4062	Available▲
	192	1573	9.10	2.73	1700	1500	2	HI4662	
	185	1635	9.45	1.53	615	117	2	ALHI4052	
	178	1703	9.85	3.52	1710	1580	2	HI4072	Available
	177	1710	9.89	2.59	1700	1500	2	HI4662	Available▲
	166	1819	10.52	2.02	1340	1140	2	HI4062	Available▲
	157	1927	11.15	3.14	1780	1580	2	HI4072	
	156	1945	11.25	2.40	1700	1500	2	HI4662	
	153	1977	11.43	1.74	778	166	2	ALHI4062	
	153	1977	11.43	1.32	658	135	2	ALHI4052	
	138	2197	12.71	2.90	1830	1580	2	HI4072	Available
	136	2227	12.88	2.16	1700	1500	2	HI4662	Available▲
	127	2377	13.75	1.64	1470	1260	2	HI4062	Available▲
	123	2460	14.21	1.55	850	171	2	ALHI4062	
	112	2698	15.61	1.86	1700	1500	2	HI4662	
	107	2840	16.43	1.41	1560	1370	2	HI4062	Available▲
	105	2881	16.62	1.32	872	188	2	ALHI4062	
	100	3025	17.50	1.33	1600	1400	2	HI4062	Available▲
98	3086	17.85	2.24	2030	1620	2	HI4072	Available	
96	3155	18.25	1.65	1700	1500	2	HI4662	Available▲	
88	3457	20.00	1.17	1600	1400	2	HI4062	Available▲	

* INTEGRAL GEARMOTORS - SPECIFY MOUNTING TYPE I OR K, AND MOTOR HORSEPOWER (SEE PAGE I-8). CONSULT FACTORY FOR AVAILABILITY.

* MOTORIZED REDUCERS - SPECIFY MOUNTING TYPE E OR G, AND MOTOR PART NUMBER (SEE SECTION E)

ALL TORQUE VALUES LISTED IN INCH-POUNDS, ALL OVERHUNG LOAD AND THRUST LOAD VALUES LISTED IN POUNDS.

THE POINT OF APPLICATION OF OHL IS CONSIDERED TO BE APPLIED AT THE MIDPOINT OF SHAFT EXTENSION.

OHL AND THRUST RATINGS CANNOT BE APPLIED SIMULTANEOUSLY. CONSULT THE FACTORY FOR APPLICATIONS WITH COMBINED OHL AND THRUST LOAD.

AT SPEEDS ABOVE 1750 RPM, UNITS MAY BECOME THERMALLY LIMITED. FOR EXTENDED OPERATION, LIMIT HP TO 1750 RPM RATING.

▲ INTEGRAL GEARMOTOR AVAILABLE ONLY IN MOUNTING TYPE K (FLANGE MOUNT).

Poweratio® 4000 & Spartan™ Helical In-Line Drives

Hub City Poweratio® 4000 & Spartan™ Helical In-Line Drives

Selection By Input H.P. @ 1750 RPM

HP	OUTPUT SPEED	OUTPUT TORQUE	RATIO	SERVICE FACTOR	OUTPUT OHL	OUTPUT THRUST	GEAR STAGES	MODEL*	INTEGRAL GEARMOTOR	
5	87	3477	20.10	1.09	900	188	2	ALHI4062		
	83	3648	21.10	3.64	2750	1950	2	HI4082	Available	
	83	3648	21.10	1.99	2120	1620	2	HI4072	Available	
	82	3711	21.47	1.09	1600	1400	2	HI4062	Available▲	
	81	3743	21.65	1.40	1700	1500	2	HI4662	Available▲	
	69	4398	25.44	3.02	3000	2400	2	HI4082	Available	
	69	4398	25.44	1.65	2150	1620	2	HI4072	Available	
	67	4527	26.19	1.16	1700	1500	2	HI4662	Available▲	
	56	5447	31.51	2.45	3400	2400	2	HI4082	Available	
	56	5447	31.51	1.33	2200	1620	2	HI4072	Available	
	47	6415	37.11	1.13	2230	1620	2	HI4072		
	46	6619	38.29	3.50	3370	3440	2	HI4092		
	39	7767	44.93	3.00	3370	3440	2	HI4092		
	39	7736	44.75	1.73	3800	2400	2	HI4082		
	35	8595	49.72	1.56	3800	2400	2	HI4082		
	33	9056	53.50	1.51	3800	2400	3	HI4083	Available	
	32	9212	54.42	4.14	5550	5350	3	HI4103	Available	
	31	9667	57.11	1.42	3800	2400	3	HI4083	Available	
	30	9718	57.40	2.74	4460	3440	3	HI4093		
	29.2	10348	59.86	2.26	3370	3440	2	HI4092		
	28.1	10527	62.19	2.53	4460	3440	3	HI4093	Available	
	27.6	10726	63.37	2.48	4460	3440	3	HI4093	Available	
	26.4	11217	66.27	1.22	3800	2400	3	HI4083	Available	
	25.0	11840	69.95	1.16	3800	2400	3	HI4083	Available	
	24.9	11920	70.42	2.23	4460	3440	3	HI4093		
	24.8	11937	70.52	3.19	6300	5350	3	HI4103	Available	
	23.9	12377	73.12	3.08	6300	5350	3	HI4103	Available	
	21.8	13582	80.24	1.96	4460	3440	3	HI4093	Available	
	20.9	14191	83.84	2.68	6500	5350	3	HI4103	Available	
	19.7	15066	89.01	1.77	4460	3440	3	HI4093	Available	
	17.0	17384	102.70	2.19	6500	5350	3	HI4103	Available	
	16.6	17812	105.23	1.49	4460	3440	3	HI4093	Available	
	15.5	19080	112.71	1.39	4460	3440	3	HI4093	Available	
	14.9	19933	117.76	1.91	6500	5350	3	HI4103	Available	
	14.4	20554	121.43	1.85	6500	5350	3	HI4103	Available	
	13.8	21475	126.87	1.24	4460	3440	3	HI4093	Available	
	13.1	22557	133.27	1.18	4460	3440	3	HI4093	Available	
	12.6	23567	139.23	1.62	6500	5350	3	HI4103	Available	
	12.0	24779	146.39	1.54	6500	5350	3	HI4103	Available	
	11.1	26600	157.15	1.00	4460	3440	3	HI4093	Available	
	10.4	28411	167.82	1.34	6500	5350	3	HI4103	Available	
	9.7	30692	181.33	1.24	6500	5350	3	HI4103	Available	
	8.4	35191	207.89	1.08	6500	5350	3	HI4103	Available	
	7.5	732	620	2.39	3.81	1280	1400	2	HI4072	
		726	625	2.41	3.58	1230	1160	2	HI4662	
681		666	2.57	2.48	960	890	2	HI4062		
665		682	2.63	1.50	530	610	2	HI4042		
655		692	2.67	3.80	1340	1500	2	HI4072		
646		703	2.71	3.36	1270	1190	2	HI4662		
593		765	2.95	1.39	550	630	2	HI4042		
585		775	2.99	3.62	1350	1580	2	HI4072		
574		791	3.05	3.14	1310	1220	2	HI4662		
568		799	3.08	2.20	1010	930	2	HI4062		

* INTEGRAL GEARMOTORS - SPECIFY MOUNTING TYPE I OR K, AND MOTOR HORSEPOWER (SEE PAGE I-8). CONSULT FACTORY FOR AVAILABILITY.

* MOTORIZED REDUCERS - SPECIFY MOUNTING TYPE E OR G, AND MOTOR PART NUMBER (SEE SECTION E)

ALL TORQUE VALUES LISTED IN INCH-POUNDS, ALL OVERHUNG LOAD AND THRUST LOAD VALUES LISTED IN POUNDS.

THE POINT OF APPLICATION OF OHL IS CONSIDERED TO BE APPLIED AT THE MIDPOINT OF SHAFT EXTENSION.

OHL AND THRUST RATINGS CANNOT BE APPLIED SIMULTANEOUSLY. CONSULT THE FACTORY FOR APPLICATIONS WITH COMBINED OHL AND THRUST LOAD.

AT SPEEDS ABOVE 1750 RPM, UNITS MAY BECOME THERMALLY LIMITED. FOR EXTENDED OPERATION, LIMIT HP TO 1750 RPM RATING.

▲ INTEGRAL GEARMOTOR AVAILABLE ONLY IN MOUNTING TYPE K (FLANGE MOUNT).

Hub City Poweratio® 4000 & Spartan™ Helical In-Line Drives

Selection By Input H.P. @ 1750 RPM

HP	OUTPUT SPEED	OUTPUT TORQUE	RATIO	SERVICE FACTOR	OUTPUT OHL	OUTPUT THRUST	GEAR STAGES	MODEL*	INTEGRAL GEARMOTOR
7.5	543	835	3.22	3.40	1350	1580	2	HI4072	
	530	856	3.30	3.02	1330	1240	2	HI4662	
	529	858	3.31	1.28	570	650	2	HI4042	
	485	936	3.61	1.76	534	126	2	ALHI4062	
	485	936	3.61	1.57	450	103	2	ALHI4052	
	483	939	3.62	3.07	1450	1580	2	HI4072	
	470	965	3.72	1.21	580	660	2	HI4042	
	469	967	3.73	2.78	1370	1260	2	HI4662	
	449	1011	3.90	1.86	1090	1000	2	HI4062	
	446	1016	3.92	2.91	1550	1580	2	HI4072	
	432	1050	4.05	2.63	1420	1320	2	HI4662	
	416	1092	4.21	1.17	590	650	2	HI4042	
	414	1096	4.23	1.76	566	126	2	ALHI4062	
	414	1096	4.23	1.64	474	103	2	ALHI4052	
	394	1151	4.44	2.67	1620	1580	2	HI4072	
	387	1172	4.52	1.68	1140	1050	2	HI4062	
	380	1195	4.61	2.40	1470	1360	2	HI4662	
	366	1239	4.78	1.03	620	690	2	HI4042	
	349	1300	5.01	1.76	603	126	2	ALHI4062	
	349	1300	5.01	1.69	491	103	2	ALHI4052	
	346	1312	5.06	2.44	1640	1580	2	HI4072	
	331	1369	5.28	2.17	1540	1430	2	HI4662	
	298	1525	5.88	2.41	1550	1430	2	HI4662	
	293	1551	5.98	2.10	1080	870	2	HI4062	
	291	1558	6.01	3.36	1685	1580	2	HI4072	
	289	1570	6.07	1.76	629	126	2	ALHI4062	
	289	1570	6.07	1.40	522	103	2	ALHI4052	
	265	1714	6.61	2.19	1640	1500	2	HI4662	
	261	1740	6.71	3.10	1685	1580	2	HI4072	
	257	1766	6.81	1.62	646	135	2	ALHI4062	
	257	1766	6.81	1.36	540	108	2	ALHI4052	
	244	1857	7.16	1.80	1180	990	2	HI4062	
	235	1929	7.44	2.04	1690	1500	2	HI4662	
	233	1945	7.50	2.86	1685	1580	2	HI4072	
	220	2063	7.96	1.54	663	135	2	ALHI4062	
	220	2063	7.96	1.16	579	108	2	ALHI4052	
	217	2087	8.05	2.00	1700	1500	2	HI4662	
	216	2098	8.09	2.71	1685	1580	2	HI4072	
	193	2357	9.09	2.49	1710	1580	2	HI4072	
	193	2349	9.06	1.47	1290	1110	2	HI4062	
	192	2360	9.10	1.82	1700	1500	2	HI4662	
	185	2453	9.45	1.22	674	144	2	ALHI4062	
	185	2453	9.45	1.02	615	117	2	ALHI4052	
	178	2554	9.85	2.35	1710	1580	2	HI4072	
	177	2565	9.89	1.73	1700	1500	2	HI4662	
	166	2728	10.52	1.35	1340	1140	2	HI4062	
	157	2891	11.15	2.09	1780	1580	2	HI4072	
	156	2917	11.25	1.60	1700	1500	2	HI4662	
	153	2966	11.43	1.16	778	166	2	ALHI4062	
	138	3296	12.71	3.70	2350	1850	2	HI4082	
138	3296	12.71	1.93	1830	1580	2	HI4072		
136	3340	12.88	1.44	1700	1500	2	HI4662		
127	3565	13.75	1.10	1470	1260	2	HI4062		

* MOTORIZED REDUCERS - SPECIFY MOUNTING TYPE E OR G, AND MOTOR PART NUMBER (SEE SECTION E)
 ALL TORQUE VALUES LISTED IN INCH-POUNDS, ALL OVERHUNG LOAD AND THRUST LOAD VALUES LISTED IN POUNDS.
 THE POINT OF APPLICATION OF OHL IS CONSIDERED TO BE APPLIED AT THE MIDPOINT OF SHAFT EXTENSION.
 OHL AND THRUST RATINGS CANNOT BE APPLIED SIMULTANEOUSLY. CONSULT THE FACTORY FOR APPLICATIONS WITH COMBINED
 OHL AND THRUST LOAD.
 AT SPEEDS ABOVE 1750 RPM, UNITS MAY BECOME THERMALLY LIMITED. FOR EXTENDED OPERATION, LIMIT HP TO 1750 RPM RATING.

Poweratio® 4000 & Spartan™ Helical In-Line Drives

Hub City Poweratio® 4000 & Spartan™ Helical In-Line Drives

Selection By Input H.P. @ 1750 RPM

HP	OUTPUT SPEED	OUTPUT TORQUE	RATIO	SERVICE FACTOR	OUTPUT OHL	OUTPUT THRUST	GEAR STAGES	MODEL*	INTEGRAL GEARMOTOR	
7.5	123	3689	14.21	1.03	850	170	2	ALHI4062		
	112	4048	15.61	1.24	1700	1500	2	HI4662		
	98	4629	17.85	2.85	2500	1950	2	HI4082		
	98	4629	17.85	1.49	2030	1620	2	HI4072		
	96	4732	18.25	1.10	1700	1500	2	HI4662		
	83	5471	21.10	2.42	2750	1950	2	HI4082		
	83	5471	21.10	1.33	2120	1620	2	HI4072		
	69	6597	25.44	2.02	3000	2400	2	HI4082		
	69	6597	25.44	1.10	2150	1620	2	HI4072		
	64	7131	27.50	3.24	3370	3420	2	HI4092		
	56	8064	31.10	2.86	3370	3440	2	HI4092		
	56	8171	31.51	1.63	3400	2400	2	HI4082		
	46	9929	38.29	2.34	3370	3440	2	HI4092		
	41	10956	43.15	3.48	5000	5350	3	HI4103		
	39	11650	44.93	2.00	3370	3440	2	HI4092		
	39	11604	44.75	1.15	3800	2400	2	HI4082		
	38	11819	46.55	3.22	5100	5350	3	HI4103		
	35	12560	49.47	3.03	5300	5350	3	HI4103		
	35	12893	49.72	1.04	3800	2400	2	HI4082		
	33	13279	52.30	2.87	5450	5350	3	HI4103		
	33	13551	53.37	2.81	5500	5350	3	HI4103		
	33	13584	53.50	1.01	3800	2400	3	HI4083		
	32	13817	54.42	2.76	5550	5350	3	HI4103		
	30	14576	57.40	1.82	4460	3440	3	HI4093		
	29.2	15226	59.97	2.50	5750	5350	3	HI4103		
	29.2	15522	59.86	1.51	3370	3440	2	HI4092		
	28.5	15617	61.51	2.44	6000	5350	3	HI4103		
	28.1	15790	62.19	1.68	4460	3440	3	HI4093		
	28.0	15843	62.40	2.40	6000	5350	3	HI4103		
	27.6	16090	63.37	1.65	4460	3440	3	HI4093		
	26.1	17389	67.06	1.35	3370	3440	2	HI4092		
	24.9	17880	70.42	1.49	4460	3440	3	HI4093		
	24.8	17905	70.52	2.13	6300	5350	3	HI4103		
	23.9	18565	73.12	2.05	6300	5350	3	HI4103		
	21.8	20373	80.24	1.31	4460	3440	3	HI4093		
	20.9	21287	83.84	1.79	6500	5350	3	HI4103		
	19.7	22600	89.01	1.18	4460	3440	3	HI4093		
	17.0	26076	102.70	1.46	6500	5350	3	HI4103		
	16.6	26718	105.23	1.00	4460	3440	3	HI4093		
	14.9	29899	117.76	1.27	6500	5350	3	HI4103		
	14.4	30831	121.43	1.24	6500	5350	3	HI4103		
	12.6	35351	139.21	1.08	6500	5350	3	HI4103		
	12.0	37169	146.39	1.03	6500	5350	3	HI4103		
	10	732	826	2.39	2.86	1280	1400	2	HI4072	
		726	833	2.41	2.69	1230	1160	2	HI4662	
		681	889	2.57	1.86	960	890	2	HI4062	
		665	909	2.63	1.12	530	610	2	HI4042	
		655	923	2.67	2.85	1340	1500	2	HI4072	
646		937	2.71	2.52	1270	1190	2	HI4662		
593		1020	2.95	1.04	550	630	2	HI4042		
585		1034	2.99	2.72	1350	1580	2	HI4072		
574		1054	3.05	2.35	1310	1220	2	HI4662		
568		1065	3.08	1.65	1010	930	2	HI4062		

* MOTORIZED REDUCERS - SPECIFY MOUNTING TYPE E OR G, AND MOTOR PART NUMBER (SEE SECTION E)
 ALL TORQUE VALUES LISTED IN INCH-POUNDS, ALL OVERHUNG LOAD AND THRUST LOAD VALUES LISTED IN POUNDS.
 THE POINT OF APPLICATION OF OHL IS CONSIDERED TO BE APPLIED AT THE MIDPOINT OF SHAFT EXTENSION.
 OHL AND THRUST RATINGS CANNOT BE APPLIED SIMULTANEOUSLY. CONSULT THE FACTORY FOR APPLICATIONS WITH COMBINED
 OHL AND THRUST LOAD.
 AT SPEEDS ABOVE 1750 RPM, UNITS MAY BECOME THERMALLY LIMITED. FOR EXTENDED OPERATION, LIMIT HP TO 1750 RPM RATING.

Hub City Poweratio® 4000 & Spartan™ Helical In-Line Drives

Selection By Input H.P. @ 1750 RPM

HP	OUTPUT SPEED	OUTPUT TORQUE	RATIO	SERVICE FACTOR	OUTPUT OHL	OUTPUT THRUST	GEAR STAGES	MODEL*	INTEGRAL GEARMOTOR
10	543	1113	3.22	2.55	1350	1580	2	HI4072	
	530	1141	3.30	2.26	1330	1240	2	HI4662	
	483	1252	3.62	2.30	1450	1580	2	HI4072	
	469	1290	3.73	2.09	1370	1260	2	HI4662	
	449	1348	3.90	1.39	1090	1000	2	HI4062	
	446	1355	3.92	2.18	1550	1580	2	HI4072	
	432	1400	4.05	1.97	1420	1320	2	HI4662	
	411	1473	4.26	3.73	1860	1850	2	HI4082	
	394	1535	4.44	2.00	1620	1580	2	HI4072	
	387	1563	4.52	1.26	1140	1050	2	HI4062	
	380	1594	4.61	1.80	1470	1360	2	HI4662	
	346	1749	5.06	3.29	1880	1850	2	HI4082	
	346	1749	5.06	1.83	1640	1580	2	HI4072	
	331	1825	5.28	1.63	1540	1430	2	HI4662	
	298	2033	5.88	1.81	1550	1430	2	HI4662	
	293	2068	5.98	1.58	1080	870	2	HI4062	
	291	2078	6.01	2.52	1685	1580	2	HI4072	
	265	2285	6.61	1.64	1640	1500	2	HI4662	
	261	2320	6.71	2.33	1685	1580	2	HI4072	
	244	2475	7.16	1.35	1180	990	2	HI4062	
	235	2572	7.44	1.53	1690	1500	2	HI4662	
	233	2593	7.50	2.14	1685	1580	2	HI4072	
	217	2783	8.05	1.50	1700	1500	2	HI4662	
	216	2797	8.09	3.80	2100	1850	2	HI4082	
	216	2797	8.09	2.03	1685	1580	2	HI4072	
	193	3132	9.06	1.10	1290	1110	2	HI4062	
	193	3143	9.09	3.53	2140	1850	2	HI4082	
	193	3143	9.09	1.86	1710	1580	2	HI4072	
	192	3146	9.10	1.37	1700	1500	2	HI4662	
	185	3271	9.46	3.42	2150	1850	2	HI4082	
	178	3406	9.85	1.76	1710	1580	2	HI4072	
	177	3419	9.89	1.30	1700	1500	2	HI4662	
	166	3637	10.52	1.01	1340	1140	2	HI4062	
	164	3696	10.69	3.15	2200	1850	2	HI4082	
	157	3855	11.15	1.57	1780	1580	2	HI4072	
	156	3890	11.25	1.20	1700	1500	2	HI4662	
	138	4394	12.71	2.77	2350	1850	2	HI4082	
	138	4394	12.71	1.45	1830	1580	2	HI4072	
	136	4453	12.88	1.08	1700	1500	2	HI4662	
	124	4899	14.17	4.16	3370	2360	2	HI4092	
	98	6171	17.85	2.14	2500	1950	2	HI4082	
	98	6171	17.85	1.12	2030	1620	2	HI4072	
	96	6310	18.25	3.50	3370	2740	2	HI4092	
	87	6925	20.03	3.34	3370	2850	2	HI4092	
	83	7295	21.10	1.82	2750	1950	2	HI4082	
	83	7295	21.10	1.00	2120	1620	2	HI4072	
	71	8488	24.55	2.95	3370	3240	2	HI4092	
	69	8796	25.44	1.51	3000	2400	2	HI4082	
	64	9508	27.50	2.43	3370	3420	2	HI4092	
	56	10752	31.10	2.15	3370	3440	2	HI4092	
56	10894	31.51	1.22	3400	2400	2	HI4082		
54	11230	32.48	3.39	4350	5320	2	HI4102		
51	11700	34.56	3.26	4550	5350	3	HI4103		

* MOTORIZED REDUCERS - SPECIFY MOUNTING TYPE E OR G, AND MOTOR PART NUMBER (SEE SECTION E)
 ALL TORQUE VALUES LISTED IN INCH-POUNDS, ALL OVERHUNG LOAD AND THRUST LOAD VALUES LISTED IN POUNDS.
 THE POINT OF APPLICATION OF OHL IS CONSIDERED TO BE APPLIED AT THE MIDPOINT OF SHAFT EXTENSION.
 OHL AND THRUST RATINGS CANNOT BE APPLIED SIMULTANEOUSLY. CONSULT THE FACTORY FOR APPLICATIONS WITH COMBINED OHL AND THRUST LOAD.
 AT SPEEDS ABOVE 1750 RPM, UNITS MAY BECOME THERMALLY LIMITED. FOR EXTENDED OPERATION, LIMIT HP TO 1750 RPM RATING.

Poweratio® 4000 & Spartan™ Helical In-Line Drives

Hub City Poweratio® 4000 & Spartan™ Helical In-Line Drives

Selection By Input H.P. @ 1750 RPM

HP	OUTPUT SPEED	OUTPUT TORQUE	RATIO	SERVICE FACTOR	OUTPUT OHL	OUTPUT THRUST	GEAR STAGES	MODEL*	INTEGRAL GEARMOTOR
10	46	13238	38.29	1.75	3370	3440	2	HI4092	
	45	13064	38.59	2.92	4570	5350	3	HI4103	
	44	13416	39.63	2.84	4850	5350	3	HI4103	
	41	14608	43.15	2.61	5000	5350	3	HI4103	
	39	15534	44.93	1.50	3370	3440	2	HI4092	
	38	15759	46.55	2.42	5100	5350	3	HI4103	
	35	16747	49.47	2.27	5300	5350	3	HI4103	
	33	17705	52.30	2.15	5450	5350	3	HI4103	
	33	18068	53.37	2.11	5500	5350	3	HI4103	
	32	18423	54.42	2.07	5550	5350	3	HI4103	
	30	19435	57.40	1.37	4460	3440	3	HI4093	
	29.2	20696	59.86	1.13	3370	3440	2	HI4092	
	29.2	20302	59.97	1.88	5750	5350	3	HI4103	
	28.5	20823	61.51	1.83	6000	5350	3	HI4103	
	28.1	21053	62.19	1.26	4460	3440	3	HI4093	
	28.0	21125	62.40	1.80	6000	5350	3	HI4103	
	27.6	21453	63.37	1.24	4460	3440	3	HI4093	
	26.1	23185	67.06	1.01	3370	3440	2	HI4092	
	24.9	23840	70.42	1.12	4460	3440	3	HI4093	
	24.8	23873	70.52	1.60	6300	5350	3	HI4103	
	23.9	24754	73.12	1.54	6300	5350	3	HI4103	
	20.9	28383	83.82	1.34	6500	5350	3	HI4103	
	17.0	34767	102.70	1.10	6500	5350	3	HI4103	
	15	732	1239	2.39	1.90	1280	1400	2	HI4072
731		1242	2.39	3.58	1820	1850	2	HI4082	
726		1250	2.41	1.79	1230	1160	2	HI4662	
681		1333	2.57	1.24	960	890	2	HI4062	
655		1385	2.67	3.37	1830	1850	2	HI4082	
655		1385	2.67	1.90	1340	1500	2	HI4072	
646		1405	2.71	1.68	1270	1190	2	HI4662	
585		1551	2.99	3.15	1840	1850	2	HI4082	
585		1551	2.99	1.81	1350	1580	2	HI4072	
574		1582	3.05	1.57	1310	1220	2	HI4662	
568		1597	3.08	1.10	1010	930	2	HI4062	
543		1670	3.22	2.99	1840	1850	2	HI4082	
543		1670	3.22	1.70	1350	1580	2	HI4072	
530		1711	3.30	1.51	1330	1240	2	HI4662	
483		1877	3.62	2.79	1840	1850	2	HI4082	
483		1877	3.62	1.53	1450	1580	2	HI4072	
469		1934	3.73	1.39	1370	1260	2	HI4662	
464		1955	3.77	2.70	1850	1850	2	HI4082	
446		2033	3.92	1.46	1550	1580	2	HI4072	
432		2100	4.05	1.31	1420	1320	2	HI4662	
411		2209	4.26	2.48	1860	1850	2	HI4082	
394		2303	4.44	1.33	1620	1580	2	HI4072	
380		2391	4.61	1.20	1470	1360	2	HI4662	
346		2624	5.06	2.19	1880	1850	2	HI4082	
346		2624	5.06	1.22	1640	1580	2	HI4072	
331		2738	5.28	1.08	1540	1430	2	HI4662	
326		2780	5.36	3.78	3370	2290	2	HI4092	
298		3049	5.88	1.21	1550	1430	2	HI4662	
293		3101	5.98	1.05	1080	870	2	HI4062	

* MOTORIZED REDUCERS - SPECIFY MOUNTING TYPE E OR G, AND MOTOR PART NUMBER (SEE SECTION E)
 ALL TORQUE VALUES LISTED IN INCH-POUNDS, ALL OVERHUNG LOAD AND THRUST LOAD VALUES LISTED IN POUNDS.
 THE POINT OF APPLICATION OF OHL IS CONSIDERED TO BE APPLIED AT THE MIDPOINT OF SHAFT EXTENSION.
 OHL AND THRUST RATINGS CANNOT BE APPLIED SIMULTANEOUSLY. CONSULT THE FACTORY FOR APPLICATIONS WITH COMBINED
 OHL AND THRUST LOAD.
 AT SPEEDS ABOVE 1750 RPM, UNITS MAY BECOME THERMALLY LIMITED. FOR EXTENDED OPERATION, LIMIT HP TO 1750 RPM RATING.

Hub City Poweratio® 4000 & Spartan™ Helical In-Line Drives

Selection By Input H.P. @ 1750 RPM

HP	OUTPUT SPEED	OUTPUT TORQUE	RATIO	SERVICE FACTOR	OUTPUT OHL	OUTPUT THRUST	GEAR STAGES	MODEL*	INTEGRAL GEARMOTOR
15	291	3117	6.01	3.03	1900	1850	2	HI4082	
	291	3117	6.01	1.68	1685	1580	2	HI4072	
	265	3428	6.61	1.09	1640	1500	2	HI4662	
	261	3480	6.71	2.84	1980	1850	2	HI4082	
	261	3480	6.71	1.55	1685	1580	2	HI4072	
	235	3858	7.44	1.02	1690	1500	2	HI4662	
	233	3890	7.50	2.66	2080	1850	2	HI4082	
	233	3890	7.50	1.43	1685	1580	2	HI4072	
	217	4175	8.05	1.00	1700	1500	2	HI4662	
	216	4196	8.09	2.53	2100	1850	2	HI4082	
	216	4196	8.09	1.35	1685	1580	2	HI4072	
	193	4714	9.09	2.35	2140	1850	2	HI4082	
	193	4714	9.09	1.24	1710	1580	2	HI4072	
	185	4906	9.46	2.28	2150	1850	2	HI4082	
	178	5108	9.85	1.17	1710	1580	2	HI4072	
	164	5544	10.69	2.10	2200	1850	2	HI4082	
	157	5782	11.15	1.05	1780	1580	2	HI4072	
	144	6311	12.17	3.04	3370	2290	2	HI4092	
	138	6591	12.71	1.85	2350	1850	2	HI4082	
	124	7349	14.17	2.78	3370	2360	2	HI4092	
	98	9257	17.85	1.43	2500	1950	2	HI4082	
	96	9465	18.25	2.34	3370	2740	2	HI4092	
	87	10388	20.03	2.22	3370	2850	2	HI4092	
	83	10943	21.10	1.21	2750	1950	2	HI4082	
	78	11564	22.30	3.29	3700	3750	2	HI4102	
	71	12732	24.55	1.96	3370	3240	2	HI4092	
	70	12972	25.01	2.94	3900	3750	2	HI4102	
	69	13193	25.44	1.01	3000	2400	2	HI4082	
	64	14262	27.50	1.62	3370	3420	2	HI4092	
	62	14694	28.33	2.59	4200	3750	2	HI4102	
	56	16129	31.10	1.43	3370	3440	2	HI4092	
	54	16845	32.48	2.26	4350	5320	2	HI4102	
	51	17550	34.56	2.17	4550	5350	3	HI4103	
	46	19857	38.29	1.17	3370	3440	2	HI4092	
	45	19596	38.59	1.94	4570	5350	3	HI4103	
	44	20124	39.63	1.89	4850	5350	3	HI4103	
	41	21912	43.15	1.74	5000	5350	3	HI4103	
	39	23301	44.93	1.00	3370	3440	2	HI4092	
	38	23638	46.55	1.61	5100	5350	3	HI4103	
	35	25121	49.47	1.52	5300	5350	3	HI4103	
	33	26558	52.30	1.43	5450	5350	3	HI4103	
	33	27101	53.37	1.41	5500	5350	3	HI4103	
	32	27635	54.42	1.38	5550	5350	3	HI4103	
	29	30453	59.97	1.25	5750	5350	3	HI4103	
	28.5	31235	61.51	1.22	6000	5350	3	HI4103	
	28.0	31687	62.40	1.20	6000	5350	3	HI4103	
	24.8	35810	70.53	1.06	6300	5350	3	HI4103	
	23.9	37130	73.12	1.03	6300	5350	3	HI4103	

* MOTORIZED REDUCERS - SPECIFY MOUNTING TYPE E OR G, AND MOTOR PART NUMBER (SEE SECTION E)
 ALL TORQUE VALUES LISTED IN INCH-POUNDS, ALL OVERHUNG LOAD AND THRUST LOAD VALUES LISTED IN POUNDS.
 THE POINT OF APPLICATION OF OHL IS CONSIDERED TO BE APPLIED AT THE MIDPOINT OF SHAFT EXTENSION.
 OHL AND THRUST RATINGS CANNOT BE APPLIED SIMULTANEOUSLY. CONSULT THE FACTORY FOR APPLICATIONS WITH COMBINED OHL AND THRUST LOAD.
 AT SPEEDS ABOVE 1750 RPM, UNITS MAY BECOME THERMALLY LIMITED. FOR EXTENDED OPERATION, LIMIT HP TO 1750 RPM RATING.

Poweratio® 4000 & Spartan™ Helical In-Line Drives

Hub City Poweratio® 4000 & Spartan™ Helical In-Line Drives

Selection By Input H.P. @ 1750 RPM

HP	OUTPUT SPEED	OUTPUT TORQUE	RATIO	SERVICE FACTOR	OUTPUT OHL	OUTPUT THRUST	GEAR STAGES	MODEL*	INTEGRAL GEARMOTOR
20	732	1653	2.39	1.43	1280	1400	2	HI4072	
	731	1655	2.39	2.69	1820	1850	2	HI4082	
	726	1666	2.41	1.34	1230	1160	2	HI4662	
	655	1846	2.67	2.52	1830	1850	2	HI4082	
	655	1846	2.67	1.42	1340	1500	2	HI4072	
	646	1874	2.71	1.26	1270	1190	2	HI4662	
	585	2068	2.99	2.36	1840	1850	2	HI4082	
	585	2068	2.99	1.36	1350	1580	2	HI4072	
	574	2109	3.05	1.18	1310	1220	2	HI4662	
	543	2227	3.22	2.25	1840	1850	2	HI4082	
	543	2227	3.22	1.28	1350	1580	2	HI4072	
	530	2282	3.30	1.13	1330	1240	2	HI4662	
	486	2489	3.60	3.90	3370	2290	2	HI4092	
	483	2503	3.62	2.09	1840	1850	2	HI4082	
	483	2503	3.62	1.15	1450	1580	2	HI4072	
	469	2579	3.73	1.04	1370	1260	2	HI4662	
	464	2607	3.77	2.02	1850	1850	2	HI4082	
	446	2711	3.92	1.09	1550	1580	2	HI4072	
	411	2946	4.26	1.86	1860	1850	2	HI4082	
	394	3070	4.44	1.00	1620	1580	2	HI4072	
	380	3181	4.60	3.30	3370	2290	2	HI4092	
	346	3499	5.06	1.64	1880	1850	2	HI4082	
	326	3706	5.36	2.84	3370	2290	2	HI4092	
	291	4156	6.01	2.27	1900	1850	2	HI4082	
	291	4156	6.01	1.26	1685	1580	2	HI4072	
	262	4626	6.69	3.78	3370	2290	2	HI4092	
	261	4640	6.71	2.13	1980	1850	2	HI4082	
	261	4640	6.71	1.16	1685	1580	2	HI4072	
	233	5186	7.50	2.00	2080	1850	2	HI4082	
	233	5186	7.50	1.07	1685	1580	2	HI4072	
	216	5594	8.09	1.90	2100	1850	2	HI4082	
	216	5594	8.09	1.02	1685	1580	2	HI4072	
	210	5767	8.34	3.12	3370	2290	2	HI4092	
	193	6286	9.09	1.77	2140	1850	2	HI4082	
	185	6541	9.46	1.71	2150	1850	2	HI4082	
	184	6583	9.52	2.76	3370	2290	2	HI4092	
	164	7392	10.69	1.58	2200	1850	2	HI4082	
	144	8415	12.17	2.28	3370	2290	2	HI4092	
	138	8789	12.71	1.39	2350	1850	2	HI4082	
	124	9798	14.17	2.08	3370	2360	2	HI4092	
	121	9967	14.41	3.82	3050	3040	2	HI4102	
	98	12343	17.85	1.07	2500	1950	2	HI4082	
	97	12530	18.12	3.04	3350	3040	2	HI4102	
	96	12619	18.25	1.75	3370	2740	2	HI4092	
	87	13850	20.03	1.67	3370	2850	2	HI4092	
	87	13854	20.04	2.75	3500	3300	2	HI4102	
	78	15418	22.30	2.47	3700	3750	2	HI4102	
	71	16976	24.55	1.47	3370	3240	2	HI4092	
	70	17297	25.01	2.20	3900	3750	2	HI4102	
	64	19016	27.50	1.21	3370	3420	2	HI4092	
	62	19592	28.33	1.94	4200	3750	2	HI4102	
	56	21505	31.10	1.07	3370	3440	2	HI4092	
	54	22460	32.48	1.70	4350	5320	2	HI4102	
	51	23399	34.56	1.63	4550	5350	3	HI4103	
	45	26128	38.59	1.46	4570	5350	3	HI4103	
	44	26832	39.63	1.42	4850	5350	3	HI4103	

* MOTORIZED REDUCERS - SPECIFY MOUNTING TYPE E OR G, AND MOTOR PART NUMBER (SEE SECTION E)
 ALL TORQUE VALUES LISTED IN INCH-POUNDS, ALL OVERHUNG LOAD AND THRUST LOAD VALUES LISTED IN POUNDS.
 THE POINT OF APPLICATION OF OHL IS CONSIDERED TO BE APPLIED AT THE MIDPOINT OF SHAFT EXTENSION.
 OHL AND THRUST RATINGS CANNOT BE APPLIED SIMULTANEOUSLY. CONSULT THE FACTORY FOR APPLICATIONS WITH COMBINED
 OHL AND THRUST LOAD.
 AT SPEEDS ABOVE 1750 RPM, UNITS MAY BECOME THERMALLY LIMITED. FOR EXTENDED OPERATION, LIMIT HP TO 1750 RPM RATING.

Hub City Poweratio® 4000 & Spartan™ Helical In-Line Drives

Selection By Input H.P. @ 1750 RPM

HP	OUTPUT SPEED	OUTPUT TORQUE	RATIO	SERVICE FACTOR	OUTPUT OHL	OUTPUT THRUST	GEAR STAGES	MODEL*	INTEGRAL GEARMOTOR
20	38	31518	46.55	1.21	5100	5350	3	HI4103	
	35	33495	49.47	1.14	5300	5350	3	HI4103	
	33	35411	52.30	1.08	5450	5350	3	HI4103	
	33	36135	53.37	1.05	5500	5350	3	HI4103	
	32	36846	54.42	1.03	5550	5350	3	HI4103	
25	781	1936	2.24	4.13	3370	2200	2	HI4092	
	732	2066	2.39	1.14	1280	1400	2	HI4072	
	731	2069	2.39	2.15	1820	1850	2	HI4082	
	726	2083	2.41	1.08	1230	1160	2	HI4662	
	692	2187	2.53	3.85	3370	2270	2	HI4092	
	655	2308	2.67	2.02	1830	1850	2	HI4082	
	655	2308	2.67	1.14	1340	1500	2	HI4072	
	646	2342	2.71	1.01	1270	1190	2	HI4662	
	585	2584	2.99	1.89	1840	1850	2	HI4082	
	585	2584	2.99	1.09	1350	1580	2	HI4072	
	556	2723	3.15	3.39	3370	2290	2	HI4092	
	543	2783	3.22	1.80	1840	1850	2	HI4082	
	543	2783	3.22	1.02	1350	1580	2	HI4072	
	486	3112	3.60	3.12	3370	2290	2	HI4092	
	483	3129	3.62	1.67	1840	1850	2	HI4082	
	464	3259	3.77	1.62	1850	1850	2	HI4082	
	411	3682	4.26	1.49	1860	1850	2	HI4082	
	380	3976	4.60	2.64	3370	2290	2	HI4092	
	346	4374	5.06	1.31	1880	1850	2	HI4082	
	326	4633	5.36	2.27	3370	2290	2	HI4092	
	296	5117	5.92	3.22	3370	2290	2	HI4092	
	291	5195	6.01	1.82	1900	1850	2	HI4082	
	291	5195	6.01	1.01	1685	1580	2	HI4072	
	262	5782	6.69	3.03	3370	2290	2	HI4092	
	261	5800	6.71	1.71	1980	1850	2	HI4082	
	233	6483	7.50	1.60	2080	1850	2	HI4082	
	223	6789	7.85	4.12	2790	2790	2	HI4102	
	216	6993	8.09	1.52	2100	1850	2	HI4082	
	210	7209	8.34	2.50	3370	2290	2	HI4092	
	193	7857	9.09	1.41	2140	1850	2	HI4082	
	185	8177	9.46	1.37	2150	1850	2	HI4082	
	184	8229	9.52	2.21	3370	2290	2	HI4092	
	164	9240	10.69	1.26	2200	1850	2	HI4082	
	144	10519	12.17	1.83	3370	2290	2	HI4092	
	143	10555	12.21	3.61	2810	2790	2	HI4102	
	138	10986	12.71	1.11	2350	1850	2	HI4082	
	124	12248	14.17	1.67	3370	2360	2	HI4092	
	121	12459	14.41	3.06	3050	3040	2	HI4102	
	97	15662	18.12	2.43	3350	3040	2	HI4102	
	96	15774	18.25	1.40	3370	2740	2	HI4092	
	87	17313	20.03	1.33	3370	2850	2	HI4092	
	87	17317	20.04	2.20	3500	3300	2	HI4102	
	78	19273	22.30	1.98	3700	3750	2	HI4102	
	71	21220	24.55	1.18	3370	3240	2	HI4092	
	70	21621	25.01	1.76	3900	3750	2	HI4102	
	62	24489	28.33	1.56	4200	3750	2	HI4102	
	54	28075	32.48	1.36	4350	5320	2	HI4102	
	51	29249	34.56	1.30	4550	5350	3	HI4103	
	45	32660	38.59	1.17	4570	5350	3	HI4103	
	44	33540	39.63	1.14	4850	5350	3	HI4103	
41	36519	43.15	1.04	5000	5350	3	HI4103		

* MOTORIZED REDUCERS - SPECIFY MOUNTING TYPE E OR G, AND MOTOR PART NUMBER (SEE SECTION E)
 ALL TORQUE VALUES LISTED IN INCH-POUNDS, ALL OVERHUNG LOAD AND THRUST LOAD VALUES LISTED IN POUNDS.
 THE POINT OF APPLICATION OF OHL IS CONSIDERED TO BE APPLIED AT THE MIDPOINT OF SHAFT EXTENSION.
 OHL AND THRUST RATINGS CANNOT BE APPLIED SIMULTANEOUSLY. CONSULT THE FACTORY FOR APPLICATIONS WITH COMBINED
 OHL AND THRUST LOAD.
 AT SPEEDS ABOVE 1750 RPM, UNITS MAY BECOME THERMALLY LIMITED. FOR EXTENDED OPERATION, LIMIT HP TO 1750 RPM RATING.

Poweratio® 4000 & Spartan™ Helical In-Line Drives

Hub City Poweratio® 4000 & Spartan™ Helical In-Line Drives

Selection By Input H.P. @ 1750 RPM

HP	OUTPUT SPEED	OUTPUT TORQUE	RATIO	SERVICE FACTOR	OUTPUT OHL	OUTPUT THRUST	GEAR STAGES	MODEL*	INTEGRAL GEARMOTOR	
30	731	2483	2.39	1.79	1820	1850	2	HI4082		
	655	2769	2.67	1.68	1830	1850	2	HI4082		
	585	3101	2.99	1.57	1840	1850	2	HI4082		
	556	3267	3.15	2.83	3370	2290	2	HI4092		
	543	3340	3.22	1.50	1840	1850	2	HI4082		
	486	3734	3.60	2.60	3370	2290	2	HI4092		
	483	3755	3.62	1.39	1840	1850	2	HI4082		
	464	3910	3.77	1.35	1850	1850	2	HI4082		
	411	4419	4.26	1.24	1860	1850	2	HI4082		
	380	4771	4.60	2.20	3370	2290	2	HI4092		
	34	5248	5.06	1.10	1880	1850	2	HI4082		
	326	5559	5.36	1.89	3370	2290	2	HI4092		
	296	6140	5.92	2.69	3370	2290	2	HI4092		
	291	6234	6.01	1.52	1900	1850	2	HI4082		
	262	6939	6.69	2.52	3370	2290	2	HI4092		
	261	6960	6.71	1.42	1980	1850	2	HI4082		
	233	7779	7.50	1.33	2080	1850	2	HI4082		
	216	8391	8.09	1.27	2100	1850	2	HI4082		
	210	8650	8.34	2.08	3370	2290	2	HI4092		
	193	9428	9.09	1.18	2140	1850	2	HI4082		
	185	9812	9.46	1.14	2150	1850	2	HI4082		
	184	9874	9.52	1.84	3370	2290	2	HI4092		
	164	11088	10.69	1.05	2200	1850	2	HI4082		
	144	12623	12.17	1.52	3370	2290	2	HI4092		
	143	12666	12.21	3.01	2810	2790	2	HI4102		
	124	14697	14.17	1.39	3370	2360	2	HI4092		
	121	14950	14.41	2.55	3050	3040	2	HI4102		
	97	18794	18.12	2.03	3350	3040	2	HI4102		
	96	18929	18.25	1.17	3370	2740	2	HI4092		
	87	20775	20.03	1.11	3370	2850	2	HI4092		
	87	20781	20.04	1.83	3500	3300	2	HI4102		
	78	23128	22.30	1.65	3700	3750	2	HI4102		
	70	25945	25.01	1.47	3900	3750	2	HI4102		
	62	29387	28.33	1.30	4200	3750	2	HI4102		
	54	33690	32.48	1.13	4350	5320	2	HI4102		
	51	35099	34.56	1.09	4550	5350	3	HI4103		
	40	781	3098	2.24	2.58	3370	2200	2	HI4092	
		774	3125	2.26	3.13	2725	2790	2	HI4102	
		731	3311	2.39	1.34	1820	1850	2	HI4082	
		692	3499	2.53	2.41	3370	2270	2	HI4092	
678		3568	2.58	3.12	2735	2790	2	HI4102		
655		3692	2.67	1.26	1830	1850	2	HI4082		
592		4088	2.96	3.13	2745	2790	2	HI4102		
585		4135	2.99	1.18	1840	1850	2	HI4082		
556		4356	3.15	2.12	3370	2290	2	HI4092		
543		4453	3.22	1.12	1840	1850	2	HI4082		
486		4979	3.60	1.95	3370	2290	2	HI4092		
483		5006	3.62	1.04	1840	1850	2	HI4082		
464		5214	3.77	1.01	1850	1850	2	HI4082		
461		5244	3.79	3.13	2755	2790	2	HI4102		
381		6356	4.60	3.04	2570	2790	2	HI4102		

* MOTORIZED REDUCERS - SPECIFY MOUNTING TYPE E OR G, AND MOTOR PART NUMBER (SEE SECTION E)
 ALL TORQUE VALUES LISTED IN INCH-POUNDS, ALL OVERHUNG LOAD AND THRUST LOAD VALUES LISTED IN POUNDS.
 THE POINT OF APPLICATION OF OHL IS CONSIDERED TO BE APPLIED AT THE MIDPOINT OF SHAFT EXTENSION.
 OHL AND THRUST RATINGS CANNOT BE APPLIED SIMULTANEOUSLY. CONSULT THE FACTORY FOR APPLICATIONS WITH COMBINED
 OHL AND THRUST LOAD.
 AT SPEEDS ABOVE 1750 RPM, UNITS MAY BECOME THERMALLY LIMITED. FOR EXTENDED OPERATION, LIMIT HP TO 1750 RPM RATING.

Hub City Poweratio® 4000 & Spartan™ Helical In-Line Drives

Selection By Input H.P. @ 1750 RPM

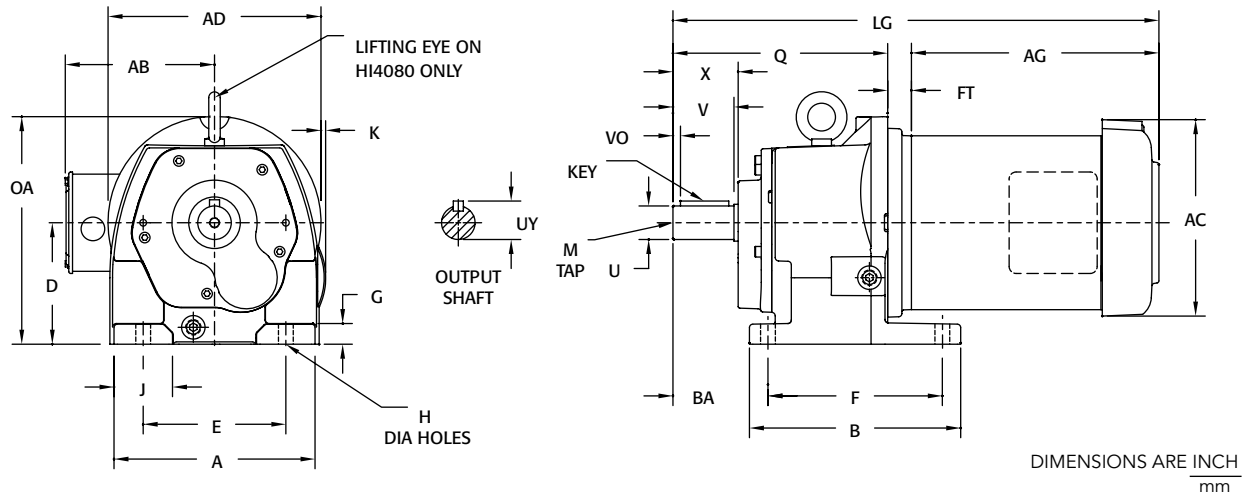
HP	OUTPUT SPEED	OUTPUT TORQUE	RATIO	SERVICE FACTOR	OUTPUT OHL	OUTPUT THRUST	GEAR STAGES	MODEL*	INTEGRAL GEARMOTOR	
40	380	6362	4.60	1.65	3370	2290	2	HI4092		
	326	7413	5.36	1.42	3370	2290	2	HI4092		
	323	7502	5.43	2.57	2700	2790	2	HI4102		
	296	8187	5.92	2.02	3370	2290	2	HI4092		
	291	8305	6.01	3.13	2750	2790	2	HI4102		
	291	8312	6.01	1.14	1900	1850	2	HI4082		
	262	9252	6.69	1.89	3370	2290	2	HI4092		
	261	9280	6.71	1.07	1980	1850	2	HI4082		
	255	9483	6.86	2.77	2785	2790	2	HI4102		
	233	10372	7.50	1.00	2080	1850	2	HI4082		
	223	10862	7.85	2.58	2790	2790	2	HI4102		
	210	11534	8.34	1.56	3370	2290	2	HI4092		
	184	13166	9.52	1.38	3370	2290	2	HI4092		
	174	13937	10.08	2.51	2800	2790	2	HI4102		
	144	16830	12.17	1.14	3370	2290	2	HI4092		
	143	16889	12.21	2.26	2810	2790	2	HI4102		
	124	19596	14.17	1.04	3370	2360	2	HI4092		
	121	19934	14.41	1.91	3050	3040	2	HI4102		
	97	25059	18.12	1.52	3350	3040	2	HI4102		
	87	27707	20.04	1.38	3500	3300	2	HI4102		
	78	30837	22.30	1.24	3700	3750	2	HI4102		
	70	34593	25.01	1.10	3900	3750	2	HI4102		
	50	781	3872	2.24	2.07	3370	2200	2	HI4092	
		774	3907	2.26	2.50	2725	2790	2	HI4102	
		731	4138	2.39	1.08	1820	1850	2	HI4082	
		692	4374	2.53	1.93	3370	2270	2	HI4092	
		678	4460	2.58	2.50	2735	2790	2	HI4102	
		655	4616	2.67	1.01	1830	1850	2	HI4082	
592		5110	2.96	2.50	2745	2790	2	HI4102		
556		5445	3.15	1.70	3370	2290	2	HI4092		
486		6223	3.60	1.56	3370	2290	2	HI4092		
461		6555	3.79	2.50	2755	2790	2	HI4102		
381		7945	4.60	2.43	2570	2790	2	HI4102		
380		7952	4.60	1.32	3370	2290	2	HI4092		
326		9266	5.36	1.13	3370	2290	2	HI4092		
323		9378	5.43	2.06	2700	2790	2	HI4102		
296		10234	5.92	1.61	3370	2290	2	HI4092		
291		10381	6.01	2.50	2750	2790	2	HI4102		
262		11565	6.69	1.51	3370	2290	2	HI4092		
255		11854	6.86	2.22	2785	2790	2	HI4102		
223		13577	7.85	2.06	2790	2790	2	HI4102		
210		14417	8.34	1.25	3370	2290	2	HI4092		
184		16457	9.52	1.11	3370	2290	2	HI4092		
174		17422	10.08	2.01	2800	2790	2	HI4102		
143		21111	12.21	1.80	2810	2790	2	HI4102		
121		24917	14.41	1.53	3050	3040	2	HI4102		
97		31324	18.12	1.22	3350	3040	2	HI4102		
87		34634	20.04	1.10	3500	3300	2	HI4102		

* MOTORIZED REDUCERS - SPECIFY MOUNTING TYPE E OR G, AND MOTOR PART NUMBER (SEE SECTION E)
 ALL TORQUE VALUES LISTED IN INCH-POUNDS, ALL OVERHUNG LOAD AND THRUST LOAD VALUES LISTED IN POUNDS.
 THE POINT OF APPLICATION OF OHL IS CONSIDERED TO BE APPLIED AT THE MIDPOINT OF SHAFT EXTENSION.
 OHL AND THRUST RATINGS CANNOT BE APPLIED SIMULTANEOUSLY. CONSULT THE FACTORY FOR APPLICATIONS WITH COMBINED OHL AND THRUST LOAD.
 AT SPEEDS ABOVE 1750 RPM, UNITS MAY BECOME THERMALLY LIMITED. FOR EXTENDED OPERATION, LIMIT HP TO 1750 RPM RATING.

Poweratio® 4000 & Spartan™ Helical In-Line Drives

Hub City Poweratio® 4000 Helical In-Line Drives

Integral Double Reduction



GEARCASE

MODEL	A	AD	B	BA	D	E	F	G	H	J	K	OA	Q
HI4042I	5.72	6.61	6.30	2.95	3.54 ⁺⁰ _{-.02}	4.33	5.12	0.59	0.39	1.38	0.29	6.66	7.29
	145	168	160	75	90 ⁺⁰ _{-.5}	110	130	15	10	35	7	169	185
HI4062I	7.48	7.93	7.87	3.94	4.53 ⁺⁰ _{-.02}	5.32	6.50	0.75	0.53	2.18	N/A	8.47	8.40
	190	201	200	100	115 ⁺⁰ _{-.5}	135	165	19	14	55	N/A	215	213
HI4662I	8.14	8.50	9.13	3.94	5.12 ⁺⁰ _{-.02}	5.91	7.68	0.82	0.53	2.38	0.24	9.06	9.44
	207	216	232	100	130 ⁺⁰ _{-.5}	150	195	21	14	61	6	230	240
HI4072I	8.66	9.97	9.65	4.53	5.51 ⁺⁰ _{-.02}	6.69	8.07	0.98	0.69	2.18	N/A	10.46	10.79
	220	253	245	115	140 ⁺⁰ _{-.5}	170	205	25	18	55	N/A	266	274
HI4082I	11.34	11.96	12.59	5.51	7.09 ⁺⁰ _{-.02}	8.47	10.24	1.11	0.75	2.92	N/A	13.03	12.99
	288	304	320	140	180 ⁺⁰ _{-.5}	215	260	28	19	74	N/A	331	330

OUTPUT SHAFT *

MODEL	U	UY	V	VO	X	KEY	M
HI4042I	1.000 ⁺⁰ _{-.001}	1.10	N/A	0.40	2.12	1/4 x 1/4 x 1-1/2	3/8-24 x 0.91
HI4062I	1.375 ⁺⁰ _{-.001}	1.51	N/A	0.44	2.83	5/16 x 5/16 x 1-3/4	1/2-13 x 1.13
	1.375 ⁺⁰ _{-.001}	1.51	2.76	0.44	2.94	5/16 x 5/16 x 1-3/4	1/2-13 x 1.13
HI4072I	1.625 ⁺⁰ _{-.001}	1.78	3.15	0.45	3.27	3/8 x 3/8 x 2-1/4	5/8-11 x 1.38
HI4082I	2.125 ⁺⁰ _{-.001}	2.34	3.94	0.64	4.06	1/2 x 1/2 x 2-5/8	3/4-10 x 1.61

MOTOR

MODEL	MOTOR HP	AB	AC	AG	FT	LG
HI4042I	0.25	4.58	6.38	6.99	0.55	14.83
	0.33	4.58	6.38	7.24	0.55	15.08
	0.50	4.58	6.38	7.74	0.55	15.58
	0.75	4.58	6.38	8.24	0.55	16.08
HI4062I	0.75	4.58	6.38	8.24	0.71	17.35
	1.00	5.56	7.68	9.22	0.88	18.50
	1.50	5.56	7.68	9.22	0.88	18.50
	2.00	5.56	7.68	10.72	0.88	20.00

MOTOR

MODEL	MOTOR HP	AB	AC	AG	FT	LG
HI4662I	1.00	5.56	7.68	9.22	0.88	19.55
	1.50	5.56	7.68	9.22	0.88	19.55
	2.00	5.56	7.68	10.72	0.88	21.05
HI4072I	1.00	5.56	7.68	9.22	0.57	20.58
	1.50	5.56	7.68	9.22	0.57	20.58
	2.00	5.56	7.68	10.72	0.57	22.08
	3.00	7.19	9.78	10.07	1.63	22.49
HI4082I	5.00	7.19	9.78	11.57	1.63	23.99
	3.00	7.19	9.78	10.07	1.47	24.53
	5.00	7.19	9.78	11.57	1.47	26.03

* SEE PAGE I-82 FOR ADDITIONAL OUTPUT SHAFT DIAMETERS AVAILABLE.

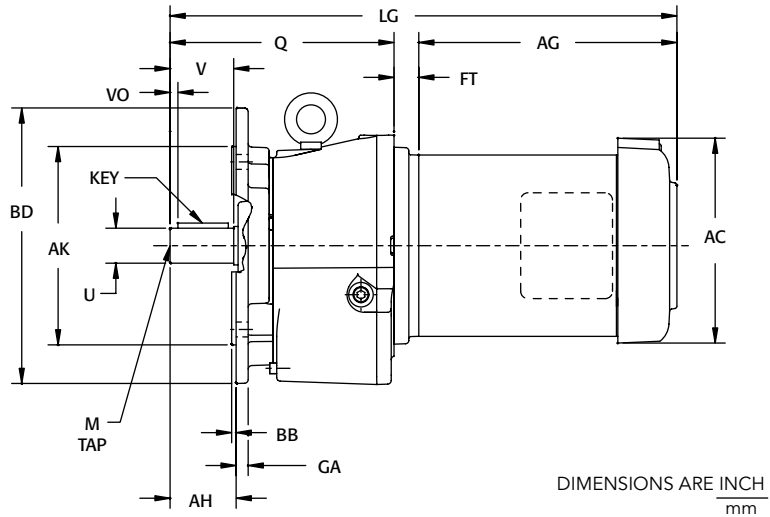
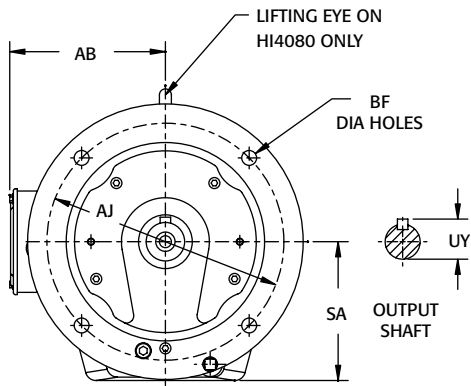
CONSULT FACTORY FOR AVAILABILITY.
 DIMENSIONS SHOWN ARE FOR REFERENCE ONLY.
 DOWNLOAD AVAILABLE CAD MODELS AT: WWW.HUBCITYINC.COM



FOR SAFETY AND TO COMPLY WITH LOCAL AND NATIONAL SAFETY CODES, THE PURCHASER OR USER MUST PROVIDE PROTECTIVE GUARDS OVER ALL SHAFT EXTENSIONS AND DEVICES MOUNTED THEREON.

Hub City Poweratio® 4000 Helical In-Line Drives

Integral Double Reduction



GEARCASE

MODEL	OA	Q	SA
HI4042K	7.20	7.29	4.04
	183	185	103
HI4062K	8.88	8.40	4.94
	226	213	126
HI4662K	9.71	9.44	5.74
	247	240	146
HI4072K	10.93	10.79	5.94
	278	274	151
HI4082K	13.05	12.99	7.08
	331	330	180

OUTPUT SHAFT

MODEL	AH	AJ	AK	BB	BD	BF	GA
HI4042K	1.97	6.50	5.118 ⁺⁰ _{-.002}	0.14	7.90	0.47	0.43
	50	165	130 ^{-.003} _{-.054}	4	200	12	11
HI4062K	2.76	8.46	7.087 ^{-.0004} _{-.0029}	0.16	9.84	0.53	0.43
	70	215	180 ⁺⁰ _{-.064}	4	250	14	11
HI4662K	2.76	8.46	7.087 ^{-.0004} _{-.0029}	0.16	9.84	0.53	0.43
	70	215	180 ⁺⁰ _{-.064}	4	250	14	11
HI4072K	3.15	10.43	9.055 ^{+0.0001} _{-.0027}	0.16	11.81	0.53	0.59
	80	265	230 ⁺⁰ _{-.072}	4	300	14	15
HI4082K	3.93	11.81	9.843 ^{-.0005} _{-.0025}	0.20	13.78	0.69	0.70
	100	300	250 ⁺⁰ _{-.051}	5	350	18	18

OUTPUT SHAFT * - CONT.

MODEL	U	UY	V	VO	KEY	M
HI4042K	1.000 ⁺⁰ _{-.001}	1.10	N/A	0.40	1/4 x 1/4 x 1-1/2	3/8-24 x 0.91
HI4062K	1.375 ⁺⁰ _{-.001}	1.51	N/A	0.44	5/16 x 5/16 x 1-3/4	1/2-13 x 1.13
HI4662K	1.375 ⁺⁰ _{-.001}	1.51	2.76	0.44	5/16 x 5/16 x 1-3/4	1/2-13 x 1.13
HI4072K	1.625 ⁺⁰ _{-.001}	1.78	3.15	0.45	3/8 x 3/8 x 2-1/4	5/8-11 x 1.38
HI4082K	2.125 ⁺⁰ _{-.001}	2.34	3.94	0.64	1/2 x 1/2 x 2-5/8	3/4-10 x 1.61

MOTOR

MODEL	MOTOR HP	AB	AC	AG	FT	LG
HI4042K	0.25	4.58	6.38	6.99	0.55	14.83
	0.33	4.58	6.38	7.24	0.55	15.08
	0.50	4.58	6.38	7.74	0.55	15.58
	0.75	4.58	6.38	8.24	0.55	16.08
	1.00	5.56	7.68	9.22	0.73	17.24
	1.50	5.56	7.68	9.22	0.73	17.24
	2.00	5.56	7.68	10.72	0.73	18.74
	3.00	7.19	9.78	10.07	1.78	19.14
HI4062K	5.00	7.19	9.78	11.57	1.78	20.64
	0.75	4.58	6.38	8.24	0.71	17.35
	1.00	5.56	7.68	9.22	0.88	18.50
	1.50	5.56	7.68	9.22	0.88	18.50
	2.00	5.56	7.68	10.72	0.88	20.00
	3.00	7.19	9.78	10.07	1.94	20.41
	5.00	7.19	9.78	11.57	1.94	21.91

MOTOR

MODEL	MOTOR HP	AB	AC	AG	FT	LG
HI4662K	1.00	5.56	7.68	9.22	0.88	19.55
	1.50	5.56	7.68	9.22	0.88	19.55
	2.00	5.56	7.68	10.72	0.88	21.05
	3.00	7.19	9.78	10.07	1.94	21.45
	5.00	7.19	9.78	11.57	1.94	22.95
HI4072K	2.00	5.56	7.68	10.72	0.57	22.08
	3.00	7.19	9.78	10.07	1.63	22.49
	5.00	7.19	9.78	11.57	1.63	23.99
HI4082K	3.00	7.19	9.78	10.07	1.47	24.53
	5.00	7.19	9.78	11.57	1.47	26.03

* SEE PAGE I-82 FOR ADDITIONAL OUTPUT SHAFT DIAMETERS AVAILABLE.

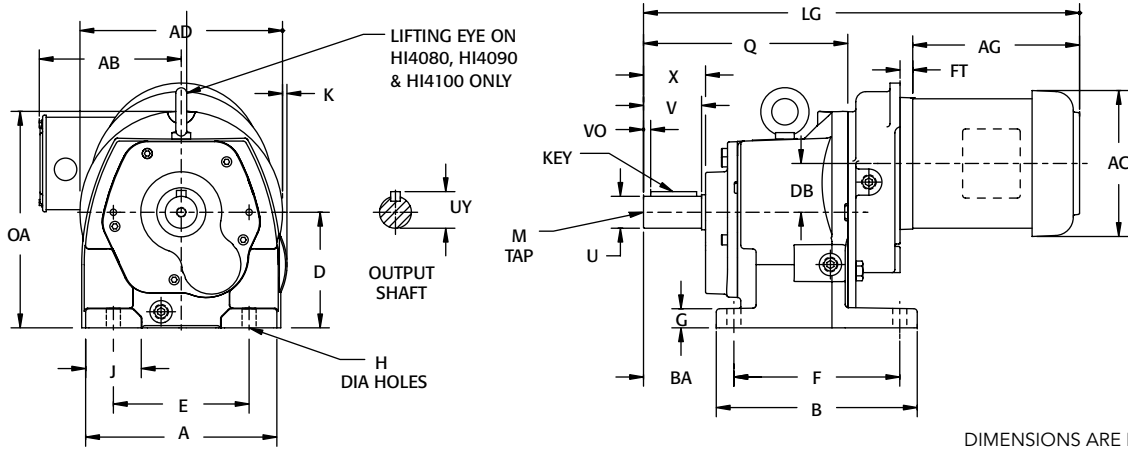
CONSULT FACTORY FOR AVAILABILITY.
DIMENSIONS SHOWN ARE FOR REFERENCE ONLY.
DOWNLOAD AVAILABLE CAD MODELS AT: WWW.HUBCITYINC.COM



FOR SAFETY AND TO COMPLY WITH LOCAL AND NATIONAL SAFETY CODES, THE PURCHASER OR USER MUST PROVIDE PROTECTIVE GUARDS OVER ALL SHAFT EXTENSIONS AND DEVICES MOUNTED THEREON.

Hub City Poweratio® 4000 Helical In-Line Drives

Integral Triple Reduction



GEARCASE

MODEL	A	AD	B	BA	D	DB	E	F	G	H	J	K	OA	Q
HI4043I	5.72	6.61	6.30	2.95	3.54 ^{+0.02} _{-0.5}	1.50	4.33	5.12	0.59	0.39	1.38	0.29	6.66	7.29
	145	168	160	75	90	38	110	130	15	10	35	7	169	185
HI4063I	7.48	7.93	7.87	3.94	4.53 ^{+0.02} _{-0.5}	1.91	5.32	6.50	0.75	0.53	2.18	N/A	8.47	8.40
	190	201	200	100	115	49	135	165	19	14	55	N/A	215	213
HI4663I	8.14	8.50	9.13	3.94	5.12 ^{+0.02} _{-0.5}	1.91	5.91	7.68	0.82	0.53	2.38	0.24	9.06	9.44
	207	216	232	100	130	49	150	195	21	14	61	6	230	240
HI4073I	8.66	9.97	9.65	4.53	5.51 ^{+0.02} _{-0.5}	1.91	6.69	8.07	0.98	0.69	2.18	N/A	10.46	10.79
	220	253	245	115	140	49	170	205	25	18	55	N/A	266	274
HI4083I	11.34	11.96	12.59	5.51	7.09 ^{+0.02} _{-0.5}	2.36	8.47	10.24	1.11	0.75	2.92	N/A	13.03	12.99
	288	304	320	140	180	60	215	260	28	19	74	N/A	331	330
HI4093I	13.42	14.00	14.37	6.30	8.86 ^{+0.02} _{-0.5}	2.87	9.84	12.21	1.38	0.91	3.54	0.45	15.85	16.41
	341	356	365	160	225	73	250	310	35	23	90	11	403	417
HI4103I	15.25	16.08	17.32	7.28	9.84 ^{+0.02} _{-0.5}	3.39	11.42	14.57	1.50	1.02	4.00	0.35	16.77	19.00
	387	408	440	185	250	86	290	370	38	26	102	9	426	483

OUTPUT SHAFT *

MODEL	U	UY	V	VO	X	KEY	M
HI4043I	1.000 ^{+0.001} _{-0.001}	1.10	N/A	0.40	2.12	1/4 x 1/4 x 1-1/2	3/8-24 x 0.91
HI4063I	1.375 ^{+0.001} _{-0.001}	1.51	N/A	0.44	2.83	5/16 x 5/16 x 1-3/4	1/2-13 x 1.13
HI4663I	1.375 ^{+0.001} _{-0.001}	1.51	2.76	0.44	2.94	5/16 x 5/16 x 1-3/4	1/2-13 x 1.13
HI4073I	1.625 ^{+0.001} _{-0.001}	1.78	3.15	0.45	3.27	3/8 x 3/8 x 2-1/4	5/8-11 x 1.38
HI4083I	2.125 ^{+0.001} _{-0.001}	2.34	3.94	0.64	4.06	1/2 x 1/2 x 2-5/8	3/4-10 x 1.61
HI4093I	2.375 ^{+0.001} _{-0.001}	2.64	4.72	0.70	4.95	5/8 x 5/8 x 3-3/4	3/4-10 x 1.61
HI4103I	2.875 ^{+0.001} _{-0.001}	3.19	5.51	0.67	5.62	3/4 x 3/4 x 4-1/8	3/4-10 x 1.61

MOTOR

MODEL	MOTOR HP	AB	AC	AG	FT	LG
HI4043I	0.25	4.58	6.38	6.99	1.50	16.37
	0.33	4.58	6.38	7.24	1.50	16.62
	0.50	4.58	6.38	7.74	1.50	17.12
	0.75	4.58	6.38	8.24	1.50	17.62
HI4063I	0.25	4.58	6.38	6.99	0.55	17.99
	0.33	4.58	6.38	7.24	0.55	18.24
	0.50	4.58	6.38	7.74	0.55	18.74
	0.75	4.58	6.38	8.24	0.55	19.24
	1.00	5.56	7.68	9.22	0.73	20.40
	1.50	5.56	7.68	9.22	0.73	20.40
HI4663I	0.25	4.58	6.38	6.99	0.55	19.03
	0.33	4.58	6.38	7.24	0.55	19.28
	0.50	4.58	6.38	7.74	0.55	19.78
	0.75	4.58	6.38	8.24	0.55	20.28
	1.00	5.56	7.68	9.22	0.73	21.44
	1.50	5.56	7.68	9.22	0.73	21.44

MOTOR

MODEL	MOTOR HP	AB	AC	AG	FT	LG
HI4073I	0.75	4.58	6.38	8.24	0.55	21.15
	1.00	5.56	7.68	9.22	0.73	22.31
	1.50	5.56	7.68	9.22	0.73	22.31
	2.00	5.56	7.68	10.72	0.73	23.81
	3.00	7.19	9.78	10.07	1.78	24.21
HI4083I	0.75	4.58	6.38	8.24	0.71	23.12
	1.00	5.56	7.68	9.22	0.88	24.27
	1.50	5.56	7.68	9.22	0.88	24.27
	2.00	5.56	7.68	10.72	0.88	25.77
	3.00	7.19	9.78	10.07	1.94	26.18
	5.00	7.19	9.78	11.57	1.94	27.68
HI4093I	1.50	5.56	7.68	9.22	0.57	28.73
	2.00	5.56	7.68	10.72	0.57	30.23
	3.00	7.19	9.78	10.07	1.63	30.64
	5.00	7.19	9.78	11.57	1.63	32.14
HI4103I	3.00	7.19	9.78	10.07	1.47	34.42
	5.00	7.19	9.78	11.57	1.47	35.92

* SEE PAGE I-82 FOR ADDITIONAL OUTPUT SHAFT DIAMETERS AVAILABLE. CONSULT FACTORY FOR AVAILABILITY.

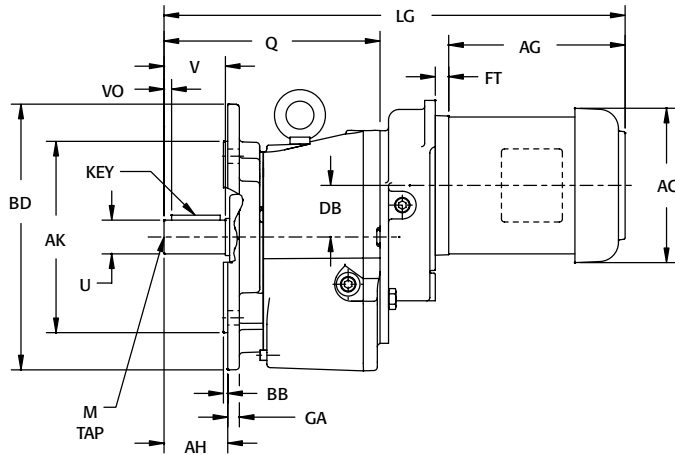
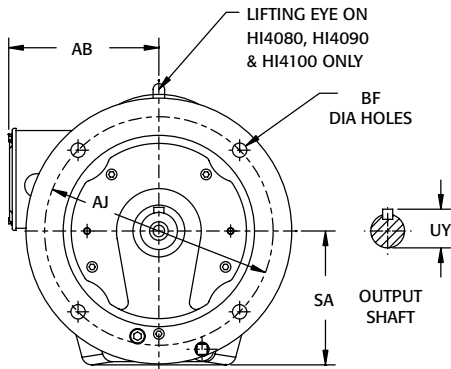
DIMENSIONS SHOWN ARE FOR REFERENCE ONLY. DOWNLOAD AVAILABLE CAD MODELS AT: WWW.HUBCITYINC.COM



FOR SAFETY AND TO COMPLY WITH LOCAL AND NATIONAL SAFETY CODES, THE PURCHASER OR USER MUST PROVIDE PROTECTIVE GUARDS OVER ALL SHAFT EXTENSIONS AND DEVICES MOUNTED THEREON.

Hub City Poweratio® 4000 Helical In-Line Drives

Integral Triple Reduction



GEARCASE

MODEL	OA	Q	SA	DB
HI4043K	7.20	7.29	4.04	1.50
	183	185	103	38
HI4063K	8.88	8.40	4.94	1.91
	226	213	126	49
HI4663K	9.71	9.44	5.74	1.91
	247	240	146	49
HI4073K	10.93	10.79	5.94	1.91
	278	274	151	49
HI4083K	13.05	12.99	7.08	2.36
	331	330	180	60
HI4093K	16.42	16.41	9.45	2.87
	417	417	240	73
HI4103K	17.98	19.00	11.02	3.39
	457	483	280	86

OUTPUT SHAFT

AH	AJ	AK	BB	BD	BF	GA
1.97	6.50	5.118 ⁺⁰ _{-.002}	0.14	7.90	0.47	0.43
50	165	130 ^{-.003} _{-.054}	4	200	12	11
2.76	8.46	7.087 ^{-.0004} _{-.0029}	0.16	9.84	0.53	0.43
70	215	180 ⁺⁰ _{-.064}	4	250	14	11
2.76	8.46	7.087 ^{-.0004} _{-.0029}	0.16	9.84	0.53	0.43
70	215	180 ⁺⁰ _{-.064}	4	250	14	11
3.15	10.43	9.055 ^{+.0001} _{-.0027}	0.16	11.81	0.53	0.59
80	265	230 ⁺⁰ _{-.072}	4	300	14	15
3.93	11.81	9.843 ^{-.0005} _{-.0025}	0.20	13.78	0.69	0.70
100	300	250 ⁺⁰ _{-.051}	5	350	18	18
4.72	15.75	13.780 ^{-.0005} _{-.0032}	0.19	17.74	0.75	1.02
120	400	350 ⁺⁰ _{-.070}	5	451	19	26
5.51	15.75	13.780 ^{-.0005} _{-.0032}	0.20	17.72	0.75	1.00
140	400	350 ⁺⁰ _{-.070}	5	450	19	25.4

OUTPUT SHAFT * - CONT.

MODEL	U	UY	V	VO	KEY	M
HI4043K	1.000 ⁺⁰ _{-.001}	1.10	N/A	0.40	1/4 x 1/4 x 1-1/2	3/8-24 x 0.91
HI4063K	1.375 ⁺⁰ _{-.001}	1.51	N/A	0.44	5/16 x 5/16 x 1-3/4	1/2-13 x 1.13
HI4663K	1.375 ⁺⁰ _{-.001}	1.51	2.76	0.44	5/16 x 5/16 x 1-3/4	1/2-13 x 1.13
HI4073K	1.625 ⁺⁰ _{-.001}	1.78	3.15	0.45	3/8 x 3/8 x 2-1/4	5/8-11 x 1.38
HI4083K	2.125 ⁺⁰ _{-.001}	2.34	3.94	0.64	1/2 x 1/2 x 2-5/8	3/4-10 x 1.61
HI4093K	2.375 ⁺⁰ _{-.001}	2.64	4.72	0.70	5/8 x 5/8 x 3-3/4	3/4-10 x 1.61
HI4103K	2.875 ⁺⁰ _{-.001}	3.19	5.51	0.67	3/4 x 3/4 x 4-1/8	3/4-10 x 1.61

MOTOR

MODEL	MOTOR HP	AB	AC	AG	FT	LG
HI4043K	0.25	4.58	6.38	6.99	1.50	16.37
	0.33	4.58	6.38	7.24	1.50	16.62
	0.50	4.58	6.38	7.74	1.50	17.12
	0.75	4.58	6.38	8.24	1.50	17.62
HI4063K	0.25	4.58	6.38	6.99	0.55	17.99
	0.33	4.58	6.38	7.24	0.55	18.24
	0.50	4.58	6.38	7.74	0.55	18.74
	0.75	4.58	6.38	8.24	0.55	19.24
	1.00	5.56	7.68	9.22	0.73	20.40
	1.50	5.56	7.68	9.22	0.73	20.40
HI4663K	0.25	4.58	6.38	6.99	0.55	19.03
	0.33	4.58	6.38	7.24	0.55	19.28
	0.50	4.58	6.38	7.74	0.55	19.78
	0.75	4.58	6.38	8.24	0.55	20.28
	1.00	5.56	7.68	9.22	0.73	21.44
	1.50	5.56	7.68	9.22	0.73	21.44

MOTOR

MODEL	MOTOR HP	AB	AC	AG	FT	LG
HI4073K	0.75	4.58	6.38	8.24	0.55	21.15
	1.00	5.56	7.68	9.22	0.73	22.31
	1.50	5.56	7.68	9.22	0.73	22.31
	2.00	5.56	7.68	10.72	0.73	23.81
	3.00	7.19	9.78	10.07	1.78	24.21
HI4083K	0.75	4.58	6.38	8.24	0.71	23.12
	1.00	5.56	7.68	9.22	0.88	24.27
	1.50	5.56	7.68	9.22	0.88	24.27
	2.00	5.56	7.68	10.72	0.88	25.77
	3.00	7.19	9.78	10.07	1.94	26.18
HI4093K	5.00	7.19	9.78	11.57	1.94	27.68
	1.50	5.56	7.68	9.22	0.57	28.73
	2.00	5.56	7.68	10.72	0.57	30.23
	3.00	7.19	9.78	10.07	1.63	30.64
HI4103K	5.00	7.19	9.78	11.57	1.63	32.14
	3.00	7.19	9.78	10.07	1.47	34.42
	5.00	7.19	9.78	11.57	1.47	35.92

* SEE PAGE I-82 FOR ADDITIONAL OUTPUT SHAFT DIAMETERS AVAILABLE. CONSULT FACTORY FOR AVAILABILITY.

DIMENSIONS SHOWN ARE FOR REFERENCE ONLY. DOWNLOAD AVAILABLE CAD MODELS AT: WWW.HUBCITYINC.COM



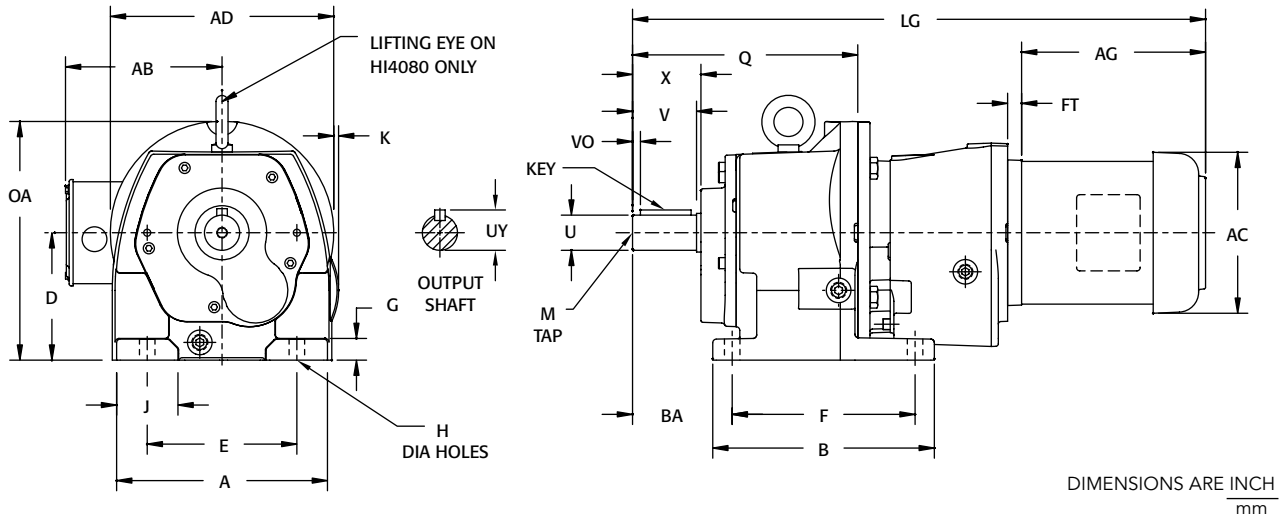
FOR SAFETY AND TO COMPLY WITH LOCAL AND NATIONAL SAFETY CODES, THE PURCHASER OR USER MUST PROVIDE PROTECTIVE GUARDS OVER ALL SHAFT EXTENSIONS AND DEVICES MOUNTED THEREON.

EMAIL: hubsales@regalbeloit.com • www.hubcityinc.com



Hub City Poweratio® 4000 Helical In-Line Drives

Integral Quad Reduction



GEARCASE

MODEL**	A	AD	B	BA	D	E	F	G	H	J	K	OA	Q
HI4064I	7.48	7.88	7.87	3.94	4.53 ^{+0.02}	5.32	6.50	0.75	0.53	2.18	N/A	8.47	8.40
	190	200	200	100	115 ^{-.5}	135	165	19	14	55	N/A	215	213
HI4664I	8.14	8.50	9.13	3.94	5.12 ^{+0.02}	5.91	7.68	0.82	0.53	2.38	0.24	9.06	9.44
	207	216	232	100	130 ^{+.5}	150	195	21	14	61	6	230	240
HI4074I	8.66	9.85	9.65	4.53	5.51 ^{+0.02}	6.69	8.07	0.98	0.69	2.18	N/A	10.46	10.79
	220	250	245	115	140 ^{+.5}	170	205	25	18	55	N/A	266	274
HI4084I	11.34	11.88	12.59	5.51	7.09 ^{+0.02}	8.47	10.24	1.11	0.75	2.92	N/A	13.03	12.99
	288	302	320	140	180 ^{+.5}	215	260	28	19	74	N/A	331	330

OUTPUT SHAFT *

MODEL	U	UY	V	VO	X	KEY	M
HI4064I	1.375 ^{+0.001}	1.51	N/A	0.44	2.83	5/16 x 5/16 x 1-3/4	1/2-13 x 1.13
HI4664I	1.375 ^{+0.001}	1.51	2.76	0.44	2.94	5/16 x 5/16 x 1-3/4	1/2-13 x 1.13
HI4074I	1.625 ^{+0.001}	1.78	3.15	0.45	3.27	3/8 x 3/8 x 2-1/4	5/8-11 x 1.38
HI4084I	2.125 ^{+0.001}	2.34	3.94	0.64	4.06	1/2 x 1/2 x 2-5/8	3/4-10 x 1.61

MOTOR

MODEL	MOTOR HP	AB	AC	AG	FT	LG
HI4064I	0.25	4.58	6.38	6.99	0.55	21.26
	0.33	4.58	6.38	7.24	0.55	21.51
HI4664I	0.25	4.58	6.38	6.99	0.55	22.30
	0.33	4.58	6.38	7.24	0.55	22.55
HI4074I	0.25	4.58	6.38	6.99	0.71	24.13
	0.33	4.58	6.38	7.24	0.71	24.38
HI4084I	0.25	4.58	6.38	6.99	0.39	28.01
	0.33	4.58	6.38	7.24	0.39	28.26
	0.50	4.58	6.38	7.74	0.39	28.76
	0.75	4.58	6.38	8.24	0.39	29.26

* SEE PAGE I-82 FOR ADDITIONAL OUTPUT SHAFT DIAMETERS AVAILABLE.

**QUAD REDUCTION UNITS ARE MANUFACTURED TO ORDER. CONTACT HUB CITY FOR AVAILABILITY.

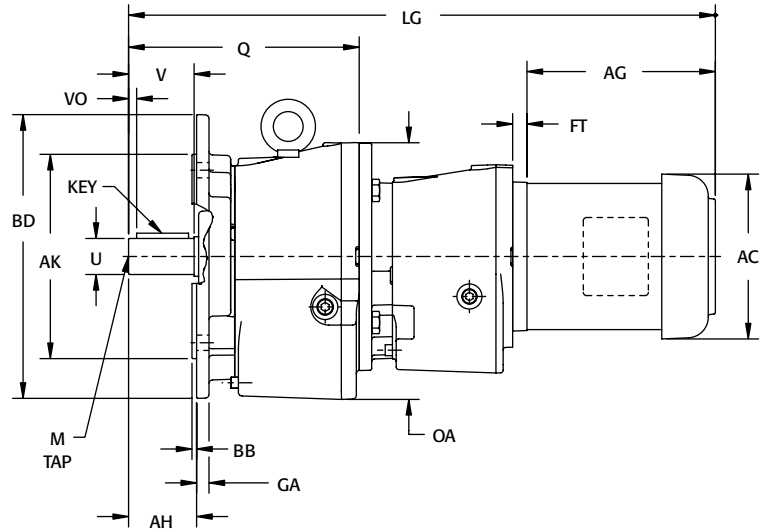
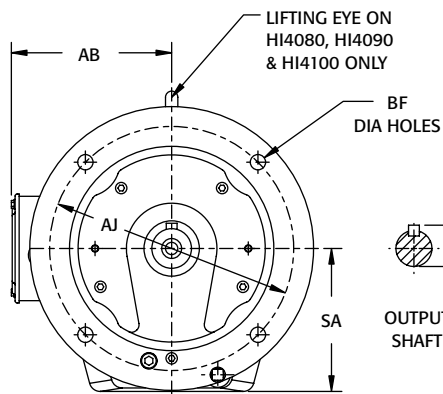
DIMENSIONS SHOWN ARE FOR REFERENCE ONLY.
 DOWNLOAD AVAILABLE CAD MODELS AT: WWW.HUBCITYINC.COM
 CONSULT FACTORY FOR AVAILABILITY.



FOR SAFETY AND TO COMPLY WITH LOCAL AND NATIONAL SAFETY CODES, THE PURCHASER OR USER MUST PROVIDE PROTECTIVE GUARDS OVER ALL SHAFT EXTENSIONS AND DEVICES MOUNTED THEREON.

Hub City Poweratio® 4000 Helical In-Line Drives

Integral Quad Reduction



GEARCASE

MODEL**	OA	Q	SA
HI4064K	8.88	8.40	4.94
	226	213	126
HI4664K	9.71	9.44	5.74
	247	240	146
HI4074K	10.93	10.79	5.94
	278	274	151
HI4084K	13.05	12.99	7.08
	331	330	180

OUTPUT SHAFT

AH	AJ	AK	BB	BD	BF	GA
2.76	8.46	7.087 ^{-0.0004} _{-0.0029}	0.16	9.84	0.53	0.43
70	215	180 ⁰ _{-0.064}	4	250	14	11
2.76	8.46	7.087 ^{-0.0004} _{-0.0029}	0.16	9.84	0.53	0.43
70	215	180 ⁰ _{-0.064}	4	250	14	11
3.15	10.43	9.055 ^{+0.0001} _{-0.0027}	0.16	11.81	0.53	0.59
80	265	230 ⁰ _{-0.072}	4	300	14	15
3.93	11.81	9.843 ^{-0.0005} _{-0.0025}	0.20	13.78	0.69	0.70
100	300	250 ⁰ _{-0.051}	5	350	18	18

OUTPUT SHAFT * - CONT.

MODEL	U	UY	V	VO	KEY	M
HI4064K	1.375 ⁰ _{-0.001}	1.51	N/A	0.44	5/16 x 5/16 x 1-3/4	1/2-13 x 1.13
HI4664K	1.375 ⁰ _{-0.001}	1.51	2.76	0.44	5/16 x 5/16 x 1-3/4	1/2-13 x 1.13
HI4074K	1.625 ⁰ _{-0.001}	1.78	3.15	0.45	3/8 x 3/8 x 2-1/4	5/8-11 x 1.38
HI4084K	2.125 ⁰ _{-0.001}	2.34	3.94	0.64	1/2 x 1/2 x 2-5/8	3/4-10 x 1.61

MOTOR

MODEL	MOTOR HP	AB	AC	AG	FT	LG
HI4064K	0.25	4.58	6.38	6.99	0.55	21.26
	0.33	4.58	6.38	7.24	0.55	21.51
HI4664K	0.25	4.58	6.38	6.99	0.55	22.30
	0.33	4.58	6.38	7.24	0.55	22.55
HI4074K	0.25	4.58	6.38	6.99	0.71	24.13
	0.33	4.58	6.38	7.24	0.71	24.38
HI4084K	0.25	4.58	6.38	6.99	0.39	28.01
	0.33	4.58	6.38	7.24	0.39	28.26
	0.50	4.58	6.38	7.74	0.39	28.76
	0.75	4.58	6.38	8.24	0.39	29.26

DIMENSIONS SHOWN ARE FOR REFERENCE ONLY.
 DOWNLOAD AVAILABLE CAD MODELS AT: WWW.HUBCITYINC.COM
 CONSULT FACTORY FOR AVAILABILITY.

* SEE PAGE I-82 FOR ADDITIONAL OUTPUT SHAFT DIAMETERS AVAILABLE.

**QUAD REDUCTION UNITS ARE MANUFACTURED TO ORDER. CONTACT HUB CITY FOR AVAILABILITY.



FOR SAFETY AND TO COMPLY WITH LOCAL AND NATIONAL SAFETY CODES, THE PURCHASER OR USER MUST PROVIDE PROTECTIVE GUARDS OVER ALL SHAFT EXTENSIONS AND DEVICES MOUNTED THEREON.

Hub City Spartan™ Helical In-Line Drives

Spartan™ Aluminum Helical Inline

Ratings @ 1750 RPM Input 1.00 Service Factor

ALHI4032 DOUBLE REDUCTION						
RATIO	OUTPUT SPEED	INPUT H.P.	OUTPUT TORQUE	OUTPUT OHL	INPUT OHL	OUTPUT THRUST
3.48	503	5.00	602	204	112	29
4.32	405	4.03	602	216	112	29
5.50	318	2.80	602	230	112	31
6.36	275	2.74	602	250	112	32
7.26	241	2.40	602	260	112	34
7.89	222	2.21	602	266	112	37
10.04	174	2.30	798	284	112	43
11.64	150	1.98	798	293	112	55
13.26	132	1.74	798	305	112	58
15.37	114	1.50	798	321	112	61
16.20	108	1.40	798	335	112	63
18.80	93	1.21	798	350	112	65
21.54	81	1.07	798	374	112	67
22.26	79	1.04	798	375	112	67
26.30	67	0.86	798	420	112	76
29.40	60	0.79	798	435	112	76
35.90	49	0.63	798	470	112	81
38.37	46	0.60	798	478	112	81
46.80	37	0.48	798	507	112	85
50.67	35	0.46	798	510	112	85
61.80	28	0.37	798	532	112	85
ALHI4033 TRIPLE REDUCTION						
33.50	52	0.71	798	459	100	85
38.34	46	0.62	798	478	100	85
43.69	40	0.55	798	495	100	85
50.64	35	0.47	798	510	100	85
53.40	33	0.44	798	520	100	85
61.22	29	0.39	798	525	100	85
62.00	28	0.38	798	532	100	85
70.95	25	0.34	798	540	100	85
73.33	24	0.32	798	540	100	85
74.50	23	0.31	798	540	100	85
86.80	20	0.27	798	540	100	85
96.85	18	0.25	798	540	100	85
102.80	17	0.23	798	540	100	85
126.40	15	0.20	798	540	100	85
135.69	13	0.18	798	540	100	85
165.20	10	0.14	798	540	100	85

SEE PAGES I-62 TO I-69 FOR ADDITIONAL MODELS AVAILABLE.

MOTORIZED REDUCERS - SPECIFY MOUNTING TYPE E OR G, AND MOTOR PART NUMBER (SEE SECTION E).
 ALL TORQUE VALUES LISTED IN INCH-POUNDS, ALL OVERHUNG LOAD AND THRUST LOAD VALUES LISTED IN POUNDS.
 THE POINT OF APPLICATION OF OHL IS CONSIDERED TO BE APPLIED AT THE MIDPOINT OF SHAFT EXTENSION.
 OHL AND THRUST RATINGS CANNOT BE APPLIED SIMULTANEOUSLY. CONSULT THE FACTORY FOR APPLICATIONS WITH COMBINED OHL AND THRUST LOAD.
 AT SPEEDS ABOVE 1750 RPM, UNITS MAY BECOME THERMALLY LIMITED. FOR EXTENDED OPERATION, LIMIT HP TO 1750 RPM RATING.

Hub City Spartan™ Helical In-Line Drives

Spartan™ Aluminum Helical Inline

Ratings @ 1750 RPM Input 1.00 Service Factor

ALHI4042 DOUBLE REDUCTION						
RATIO	OUTPUT SPEED	INPUT H.P.	OUTPUT TORQUE	OUTPUT OHL	INPUT OHL	OUTPUT THRUST
3.48	503	5.88	708	268	112	70
4.32	405	5.19	775	289	112	70
5.50	318	4.67	887	350	112	70
6.36	275	4.32	949	376	112	70
7.26	241	4.24	1065	391	112	74
7.89	222	3.90	1065	400	112	81
10.04	174	3.43	1190	420	112	81
11.64	150	2.96	1190	445	112	91
13.26	132	2.60	1190	476	112	91
15.37	114	2.24	1190	508	112	91
16.20	108	2.03	1158	520	112	101
18.80	93	1.75	1158	535	112	108
21.54	81	1.60	1190	562	112	108
22.26	79	1.55	1190	562	112	108
26.30	67	1.25	1158	615	112	121
29.40	60	1.17	1190	629	112	121
35.90	49	0.92	1158	660	112	135
38.37	46	0.85	1127	663	112	135
46.80	37	0.65	1065	674	112	135
50.67	35	0.64	1127	674	112	135
61.80	28	0.49	1065	674	112	135
ALHI4043 TRIPLE REDUCTION						
33.50	52	1.06	1189	645	100	135
38.34	46	0.87	1118	663	100	135
43.69	40	0.81	1189	674	100	135
50.64	35	0.70	1189	674	100	135
53.40	33	0.64	1162	674	100	135
61.22	29	0.58	1189	674	100	135
62.00	28	0.55	1162	674	100	135
70.95	25	0.50	1189	674	100	135
73.33	24	0.46	1118	674	100	135
74.50	23	0.46	1162	674	100	135
86.80	20	0.39	1162	674	100	135
96.85	18	0.37	1189	674	100	135
102.80	17	0.34	1171	674	100	135
126.40	15	0.29	1162	674	100	135
135.69	13	0.26	1189	674	100	135
165.20	10	0.21	1162	674	100	135

SEE PAGES I-62 TO I-69 FOR ADDITIONAL MODELS AVAILABLE.

MOTORIZED REDUCERS - SPECIFY MOUNTING TYPE E OR G, AND MOTOR PART NUMBER (SEE SECTION E).
 ALL TORQUE VALUES LISTED IN INCH-POUNDS, ALL OVERHUNG LOAD AND THRUST LOAD VALUES LISTED IN POUNDS.
 THE POINT OF APPLICATION OF OHL IS CONSIDERED TO BE APPLIED AT THE MIDPOINT OF SHAFT EXTENSION.
 OHL AND THRUST RATINGS CANNOT BE APPLIED SIMULTANEOUSLY. CONSULT THE FACTORY FOR APPLICATIONS WITH COMBINED OHL AND THRUST LOAD.
 AT SPEEDS ABOVE 1750 RPM, UNITS MAY BECOME THERMALLY LIMITED. FOR EXTENDED OPERATION, LIMIT HP TO 1750 RPM RATING.

Poweratio® 4000 & Spartan™ Helical In-Line Drives

Hub City Spartan™ Helical In-Line Drives

Spartan™ Alumimum Helical Inline

Ratings @ 1750 RPM Input 1.00 Service Factor

ALHI4052 DOUBLE REDUCTION						
RATIO	OUTPUT SPEED	INPUT H.P.	OUTPUT TORQUE	OUTPUT OHL	INPUT OHL	OUTPUT THRUST
3.61	485	11.80	1473	450	180	103
4.23	414	12.27	1792	474	180	103
5.01	349	12.69	2200	491	180	103
6.07	288	10.49	2200	522	180	103
6.81	257	10.22	2404	540	180	108
7.96	220	8.73	2404	579	180	108
9.45	185	7.66	2502	615	180	108
11.43	153	6.58	2600	658	180	135
14.21	123	4.68	2300	693	180	139
16.62	105	4.36	2502	711	180	157
20.10	87	3.60	2502	780	180	157
24.98	70	2.66	2300	877	180	175
29.41	60	2.46	2502	900	180	175
35.58	49	2.03	2502	922	180	202
40.50	43	1.72	2404	988	180	202
44.23	40	1.50	2300	1012	180	202
49.00	36	1.42	2404	1028	180	225
60.90	29	1.04	2200	1050	180	225
ALHI4053 TRIPLE REDUCTION						
34.01	52	2.10	2396	918	135	225
39.79	44	1.80	2396	988	135	225
47.22	37	1.51	2396	1028	135	225
54.73	32	1.31	2396	1041	135	225
57.13	31	1.25	2396	1050	135	225
66.22	26	1.08	2396	1075	135	225
71.01	25	1.01	2396	1079	135	225
76.69	23	0.93	2396	1091	135	225
82.30	21	0.87	2396	1091	135	225
83.59	21	0.86	2396	1091	135	225
92.78	19	0.77	2396	1102	135	225
104.68	17	0.68	2396	1112	135	225
117.22	15	0.61	2396	1124	135	225
126.65	14	0.56	2396	1130	135	225
135.74	13	0.53	2396	1136	135	225
145.68	12	0.49	2396	1150	135	225
157.40	11	0.45	2396	1168	135	225
164.23	11	0.44	2396	1186	135	225
185.29	9	0.39	2396	1186	135	225
204.12	9	0.35	2396	1186	135	225
224.18	8	0.32	2396	1195	135	225
278.62	6	0.26	2396	1214	135	225

SEE PAGES I-62 TO I-69 FOR ADDITIONAL MODELS AVAILABLE.

MOTORIZED REDUCERS - SPECIFY MOUNTING TYPE E OR G, AND MOTOR PART NUMBER (SEE SECTION E).
 ALL TORQUE VALUES LISTED IN INCH-POUNDS, ALL OVERHUNG LOAD AND THRUST LOAD VALUES LISTED IN POUNDS.
 THE POINT OF APPLICATION OF OHL IS CONSIDERED TO BE APPLIED AT THE MIDPOINT OF SHAFT EXTENSION.
 OHL AND THRUST RATINGS CANNOT BE APPLIED SIMULTANEOUSLY. CONSULT THE FACTORY FOR APPLICATIONS WITH COMBINED OHL AND THRUST LOAD.
 AT SPEEDS ABOVE 1750 RPM, UNITS MAY BECOME THERMALLY LIMITED. FOR EXTENDED OPERATION, LIMIT HP TO 1750 RPM RATING.

Hub City Spartan™ Helical In-Line Drives

Spartan™ Aluminum Helical Inline

Ratings @ 1750 RPM Input 1.00 Service Factor

ALHI4062 DOUBLE REDUCTION						
RATIO	OUTPUT SPEED	INPUT H.P.	OUTPUT TORQUE	OUTPUT OHL	INPUT OHL	OUTPUT THRUST
3.61	485	13.22	1651	534	180	126
4.23	414	13.23	1932	566	180	126
5.01	349	13.23	2293	603	180	126
6.07	288	13.23	2774	629	180	126
6.81	257	12.15	2860	646	180	135
7.96	220	11.55	3180	663	180	135
9.45	185	9.18	3000	674	180	144
11.43	153	8.71	3442	778	180	170
14.21	123	7.73	3800	850	180	171
16.62	105	6.61	3800	872	180	189
20.10	87	5.47	3800	900	180	190
24.98	70	4.40	3800	944	180	200
29.41	60	2.95	3000	1012	180	200
35.58	49	2.44	3000	1079	180	260
40.50	43	1.83	2567	1192	180	260
44.23	40	1.83	2800	1304	180	260
49.00	36	1.64	2777	1330	180	260
60.90	29	1.33	2800	1367	180	260
ALHI4063 TRIPLE REDUCTION						
34.01	52	2.96	3372	1060	135	292
39.79	44	2.53	3372	1192	135	292
47.22	37	2.13	3372	1330	135	292
54.73	32	1.84	3372	1354	135	292
57.13	31	1.76	3372	1354	135	292
66.22	26	1.52	3372	1398	135	292
71.01	25	1.42	3372	1398	135	292
76.69	23	1.31	3372	1414	135	292
82.30	21	1.22	3372	1422	135	292
83.59	21	1.20	3372	1422	135	292
92.78	19	1.09	3372	1430	135	292
104.68	17	0.96	3372	1454	135	292
117.22	15	0.86	3372	1461	135	292
126.65	14	0.79	3372	1468	135	292
135.74	13	0.74	3372	1472	135	292
145.68	12	0.69	3372	1475	135	292
157.40	11	0.64	3372	1492	135	292
164.23	11	0.61	3372	1492	135	292
185.29	9	0.54	3372	1498	135	292
204.12	9	0.49	3372	1502	135	292
224.18	8	0.45	3372	1510	135	292
278.62	6	0.36	3372	1510	135	292

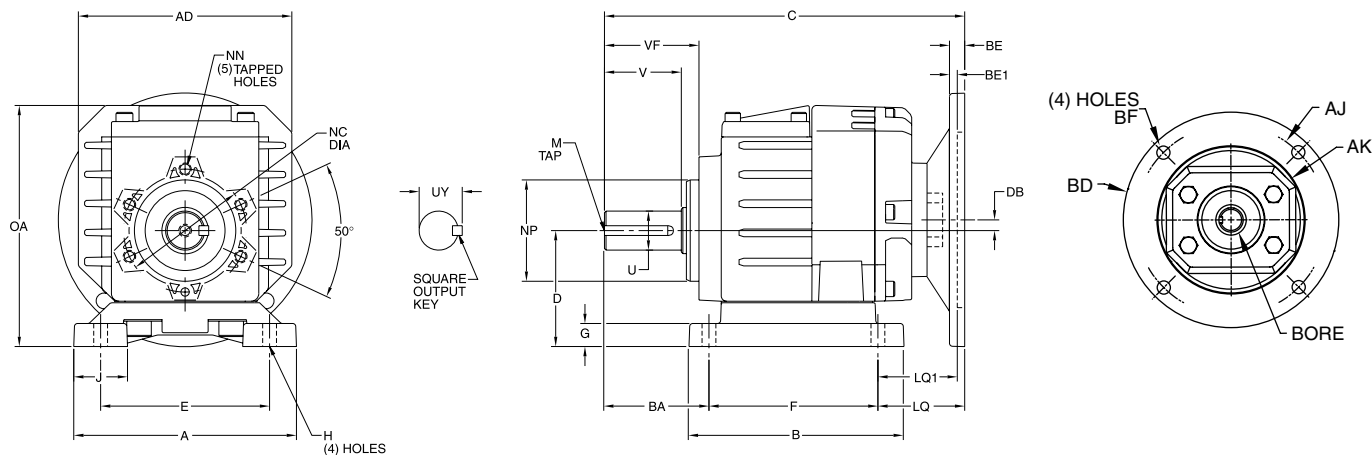
SEE PAGES I-62 TO I-69 FOR ADDITIONAL MODELS AVAILABLE.

MOTORIZED REDUCERS - SPECIFY MOUNTING TYPE E OR G, AND MOTOR PART NUMBER (SEE SECTION E).
 ALL TORQUE VALUES LISTED IN INCH-POUNDS, ALL OVERHUNG LOAD AND THRUST LOAD VALUES LISTED IN POUNDS.
 THE POINT OF APPLICATION OF OHL IS CONSIDERED TO BE APPLIED AT THE MIDPOINT OF SHAFT EXTENSION.
 OHL AND THRUST RATINGS CANNOT BE APPLIED SIMULTANEOUSLY. CONSULT THE FACTORY FOR APPLICATIONS WITH COMBINED OHL AND THRUST LOAD.
 AT SPEEDS ABOVE 1750 RPM, UNITS MAY BECOME THERMALLY LIMITED. FOR EXTENDED OPERATION, LIMIT HP TO 1750 RPM RATING.

Poweratio® 4000 & Spartan™ Helical In-Line Drives

Hub City Spartan™ Helical In-Line Drives

Spartan™ Aluminum Helical In-Line Dimensions



MOTORIZED QUILL INPUT, DOUBLE REDUCTION (B1 BASE MOUNT SHOWN)

MODEL	A	AD	B	BA	C		D	DB	E	F	G	H	J	LQ	LQ1	M	
					56/140	180										TAP	DEPTH
ALHI4032E	5.71	5.47	5.51	2.28	8.86	NA	2.95	0.27	4.33	4.33	0.59	0.35	1.38	2.24	NA	1/4-20	0.71
ALHI4042E	5.71	5.47	6.02	2.95	9.26	NA	3.54	0.27	4.33	5.12	0.79	0.35	1.38	1.19	NA	5/16-18	0.82
ALHI4052E	6.69	6.86	7.76	3.43	11.53	12.06	4.53	0.21	5.31	6.50	0.94	0.55	1.65	1.61	2.13	5/16-18	0.82
ALHI4062E	6.69	7.95	7.76	3.43	12.20	12.73	4.53	0.86	5.31	6.50	0.94	0.55	1.65	2.27	2.80	5/16-18	0.82

MODEL	NC	NP	NN		OA	U +0.000/ -0.001	UY	V	VF	OUTPUT KEY
			TAP	DEPTH						
ALHI4032E	3.15	2.60	M8	0.67	6.17	0.750	0.83	1.57	2.02	3/16 x 1.12
ALHI4042E	3.15	2.60	M8	0.67	6.76	1.000	1.11	1.97	2.40	1/4 x 1.62
ALHI4052E	4.84	4.17	M10	0.71	8.52	1.250	1.36	2.36	2.97	1/4 x 2.00
ALHI4062E	4.84	4.17	M10	0.71	8.58	1.250*	1.36	2.36	2.97	1/4 x 2.00

FRAME	AJ	AK	BD	BE	BE1	BORE DIA.	KEYWAY	BF
56C	5.88	4.50	6.50	0.39	N/A	0.625	3/16 X 3/32	0.41
140TC	5.88	4.50	6.50	0.39	N/A	0.875	3/16 X 3/32	0.41
180TC△	7.25	8.88	8.50	N/A	0.50	1.125	1/4 X 1/8	0.53

△ 180TC FRAME AVAILABLE ON ALHI4052E AND ALHI4062E MODELS ONLY.

MOTORIZED QUILL INPUT, TRIPLE REDUCTION (B1 BASE MOUNT SHOWN)

MODEL	A	AD	B	BA	C	D	DB	E	F	G	H	J	LQ	M	
														TAP	DEPTH
ALHI4033E	5.71	5.47	5.51	2.28	9.62	2.95	0.13	4.33	4.33	0.59	0.35	1.38	3.01	1/4-20	0.71
ALHI4043E	5.71	5.47	6.02	2.95	10.02	3.54	0.13	4.33	5.12	0.79	0.35	1.38	1.95	5/16-18	0.82
ALHI4053E	6.69	6.96	7.76	3.43	11.87	4.53	0.61	5.31	6.50	0.94	0.55	1.65	1.95	5/16-18	0.82
ALHI4063E	6.69	7.95	7.76	3.43	12.55	4.48	0.63	5.31	6.50	0.94	0.55	1.65	2.63	5/16-18	0.82

MODEL	NC	NP	NN		OA	U +0.000/ -0.001	UY	V	VF	OUTPUT KEY
			TAP	DEPTH						
ALHI4033E	3.15	2.60	M8	0.67	6.17	0.750	0.83	1.57	2.02	3/16 x 1.12
ALHI4043E	3.15	2.60	M8	0.67	6.76	1.000	1.11	1.97	2.40	1/4 x 1.62
ALHI4053E	4.84	4.17	M10	0.71	8.52	1.250	1.36	2.36	2.97	1/4 x 2.00
ALHI4063E	4.84	4.17	M10	0.71	8.58	1.250*	1.36	2.36	2.97	1/4 x 2.00

FRAME	AJ	AK	BD	BE	BE1	BORE DIA.	KEYWAY	BF
56C	5.88	4.50	6.50	0.39	N/A	0.625	3/16 X 3/32	0.41
140TC□	5.88	4.50	6.50	0.39	N/A	0.875	3/16 X 3/32	0.41

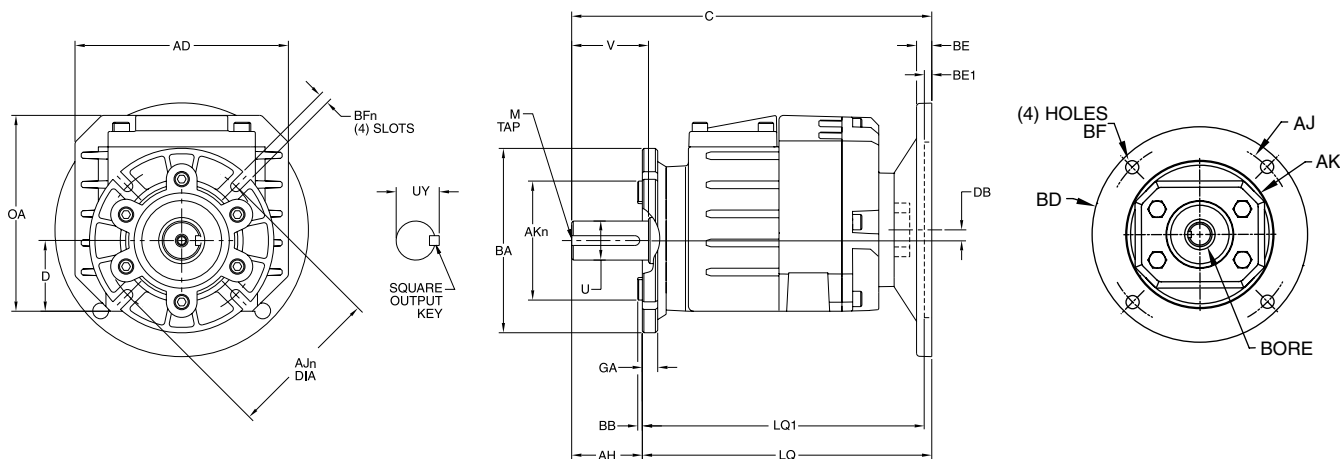
□ 140TC FRAME AVAILABLE ON ALHI4053E AND ALHI4063E MODELS ONLY.

* 1.375" DIAMETER SHAFT IS AVAILABLE. CONTACT FACTORY FOR AVAILABILITY.
B1 BASE MOUNT IS SHOWN. ADDITIONAL INTERCHANGE BASES ARE AVAILABLE. CONSULT FACTORY

DIMENSIONS SHOWN ARE FOR REFERENCE ONLY.
DOWNLOAD AVAILABLE CAD MODELS AT: WWW.HUBCITYINC.COM

Hub City Spartan™ Helical In-Line Drives

Spartan™ Aluminum Helical In-Line Dimensions



MOTORIZED QUILL INPUT, DOUBLE REDUCTION (F1 FLANGE MOUNT SHOWN)

MODEL	AD	AH	AJn	AKn	BA	BB	BFn	C		D	DB	GA
								56/140	180			
ALHI4032G	5.47	1.42	3.94	3.15	4.72	0.12	0.28	8.86	N/A	1.79	0.27	0.39
ALHI4042G	5.47	1.81	3.94	3.15	4.72	0.12	0.28	9.25	N/A	1.81	0.27	0.39
ALHI4052G	6.86	2.26	5.12	4.33	6.30	0.14	0.35	11.53	12.06	2.76	0.21	0.55
ALHI4062G	7.95	2.26	5.12	4.33	6.30	0.14	0.35	12.20	12.72	2.76	0.86	0.55

MODEL	LQ	LQ1	M		OA	U	UY	V	OUTPUT KEY
	56C/140TC		TAP	DEPTH		+0.000/ -0.001			
ALHI4032G	7.44	N/A	1/4-20	0.71	5.02	0.750	0.83	1.57	3/16 x 1.12
ALHI4042G	7.44	N/A	5/16-18	0.82	5.02	1.000	1.11	1.97	1/4 x 1.62
ALHI4052G	9.27	9.80	5/16-18	0.82	6.75	1.250	1.36	2.36	1/4 x 2.00
ALHI4062G	9.93	10.46	5/16-18	0.82	6.81	1.250*	1.36	2.36	1/4 x 2.00

FRAME	AJ	AK	BD	BE	BE1	BORE DIA.	KEYWAY	BF
56C	5.88	4.50	6.50	0.39	N/A	0.625	3/16 X 3/32	0.41
140TC	5.88	4.50	6.50	0.39	N/A	0.875	3/16 X 3/32	0.41
180TC△	7.25	8.50	8.88	N/A	0.50	1.125	1/4 X 1/8	0.53

△ 180TC FRAME AVAILABLE ON ALHI4052G AND ALHI4062G MODELS ONLY.

MOTORIZED QUILL INPUT, TRIPLE REDUCTION (F1 FLANGE MOUNT SHOWN)

MODEL	AD	AH	AJn	AKn	BA	BB	BFn	C	D	DB	GA
ALHI4033G	5.47	1.42	3.94	3.15	4.72	0.12	0.28	9.62	1.81	0.13	0.39
ALHI4043G	5.47	1.81	3.94	3.15	4.72	0.12	0.28	10.02	1.81	0.13	0.39
ALHI4053G	6.86	2.26	5.12	4.33	6.30	0.14	0.35	11.87	2.76	0.61	0.55
ALHI4063G	7.95	2.26	5.12	4.33	6.30	0.14	0.35	12.55	2.76	0.63	0.55

MODEL	LQ	M		OA	U	UY	V	OUTPUT KEY
	56C/140TC	TAP	DEPTH		+0.000/ -0.001			
ALHI4033G	8.21	1/4-20	0.71	5.02	0.750	0.83	1.57	3/16 x 1.12
ALHI4043G	8.21	5/16-18	0.82	5.02	1.000	1.11	1.97	1/4 x 1.62
ALHI4053G	9.61	5/16-18	0.82	6.75	1.250	1.36	2.36	1/4 x 2.00
ALHI4063G	10.29	5/16-18	0.82	6.81	1.250*	1.36	2.36	1/4 x 2.00

FRAME	AJ	AK	BD	BE	BE1	BORE DIA.	KEYWAY	BF
56C	5.88	4.50	6.50	0.39	N/A	0.625	3/16 X 3/32	0.41
140TC□	5.88	4.50	6.50	0.39	N/A	0.875	3/16 X 3/32	0.41

□ 140TC FRAME AVAILABLE ON ALHI4053G AND ALHI4063G MODELS ONLY.

* 1.375" DIAMETER SHAFT IS AVAILABLE. CONTACT FACTORY FOR AVAILABILITY.
 N TOLERANCE OF AK ON FLANGES WITH BA DIMENSION UNDER 6.30" IS -0.0014 TO -0.0028".
 FLANGES WITH A BA OF 6.30" OR LARGER HAVE A AK TOLERANCE OF -0.0017 TO -0.0033".

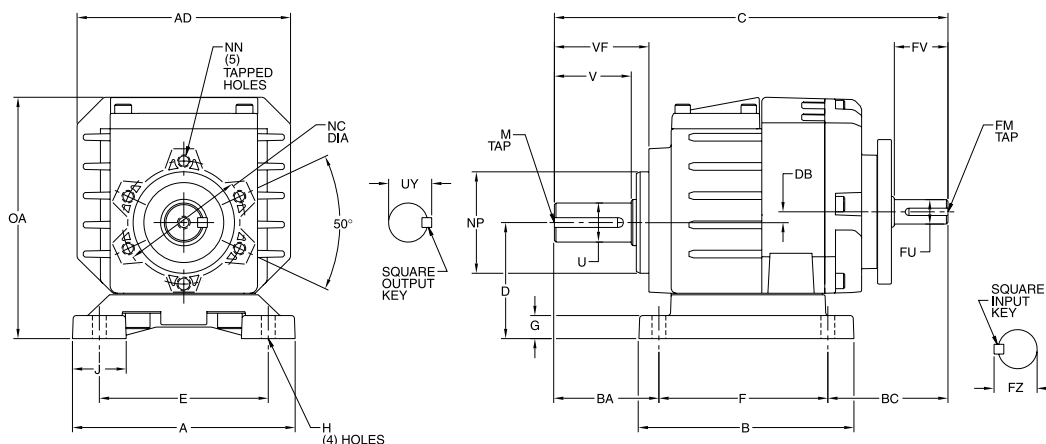
DIMENSIONS SHOWN ARE FOR REFERENCE ONLY.
 DOWNLOAD AVAILABLE CAD MODELS AT: WWW.HUBCITYINC.COM

EMAIL: hubsales@regalbeloit.com • www.hubcityinc.com



Hub City Spartan™ Helical In-Line Drives

Spartan™ Aluminum Helical In-Line Dimensions



NON-MOTORIZED, DOUBLE REDUCTION (B1 BASE MOUNT SHOWN)

MODEL	A	AD	B	BA	BC	C	D	DB	E	F	FM TAP	FM DEPTH	FU +0.000/-0.001	FV	FZ	G	H	J
ALHI4032A	5.71	5.47	5.51	2.28	3.28	9.89	2.95	0.27	4.33	4.33	1/4-20	0.62	0.625	1.57	0.70	0.59	0.35	1.38
ALHI4042A	5.71	5.47	6.02	2.95	2.22	10.29	3.54	0.27	4.33	5.12	1/4-20	0.62	0.625	1.57	0.70	0.79	0.35	1.38
ALHI4052A	6.69	6.86	7.76	3.43	3.06	12.99	4.53	0.21	5.31	6.50	5/16-18	0.75	0.750△	1.97	0.83	0.94	0.55	1.65
ALHI4062A	6.69	7.95	7.76	3.43	3.73	13.66	4.53	0.86	5.31	6.50	5/16-18	0.75	0.750△	1.97	0.83	0.94	0.55	1.65

MODEL	M TAP	M DEPTH	NC	NN TAP	NN DEPTH	NP	OA	U +0.000/-0.001	UY	V	VF	INPUT KEY	OUTPUT KEY
ALHI4032A	1/4-20	0.71	3.15	M8	0.67	2.60	6.17	0.750	0.83	1.57	2.02	3/16 X 1.12	3/16 X 1.12
ALHI4042A	5/16-18	0.82	3.15	M8	0.67	2.60	6.76	1.000	1.11	1.97	2.40	3/16 X 1.12	1/4 X 1.62
ALHI4052A	5/16-18	0.82	4.84	M10	0.71	4.17	8.52	1.250	1.36	2.36	2.97	3/16 X 1.50	1/4 X 2.00
ALHI4062A	5/16-18	0.82	4.84	M10	0.71	4.17	8.58	1.250*	1.36	2.36	2.97	3/16 X 1.50	1/4 X 2.00

NON-MOTORIZED, TRIPLE REDUCTION (B1 BASE MOUNT SHOWN)

MODEL	A	AD	B	BA	BC	C	D	DB	E	F	FM TAP	FM DEPTH	FU +0.000/-0.001	FV	FZ	G	H	J
ALHI4033A	5.71	5.47	5.51	2.28	3.46	10.07	2.95	0.13	4.33	4.33	1/4-20	0.62	0.625	1.57	0.70	0.59	0.35	1.38
ALHI4043A	5.71	5.47	6.02	2.95	2.39	10.46	3.54	0.13	4.33	5.12	1/4-20	0.62	0.625	1.57	0.70	0.59	0.35	1.38
ALHI4053A	6.69	6.86	7.76	3.43	3.40	13.33	4.53	0.61	5.31	6.50	5/16-18	0.75	0.750	1.57	0.83	0.94	0.55	1.65
ALHI4063A	6.69	7.95	7.76	3.43	4.08	14.01	4.48	0.63	5.31	6.50	5/16-18	0.75	0.750	1.57	0.83	0.94	0.55	1.65

MODEL	M TAP	M DEPTH	NC	NN TAP	NN DEPTH	NP	OA	U +0.000/-0.001	UY	V	VF	INPUT KEY	OUTPUT KEY
ALHI4033A	1/4-20	0.71	3.15	M8	0.67	2.60	6.17	0.750	0.83	1.57	2.02	3/16 x 1.12	3/16 x 1.12
ALHI4043A	5/16-18	0.82	3.15	M8	0.67	2.60	6.76	1.000	1.11	1.97	2.40	3/16 x 1.12	1/4 x 1.62
ALHI4053A	5/16-18	0.82	4.84	M10	0.71	4.17	8.52	1.250	1.36	2.36	2.97	3/16 x 1.50	1/4 x 2.00
ALHI4063A	5/16-18	0.82	4.84	M10	0.71	4.17	8.58	1.250*	1.36	2.36	2.97	3/16 x 1.50	1/4 x 2.00

* 1.375" DIAMETER SHAFT IS AVAILABLE. CONTACT FACTORY FOR AVAILABILITY.

△ 0.875" DIAMETER SHAFT IS AVAILABLE ON 2-STAGE REDUCERS ONLY. CONTACT FACTORY FOR AVAILABILITY.

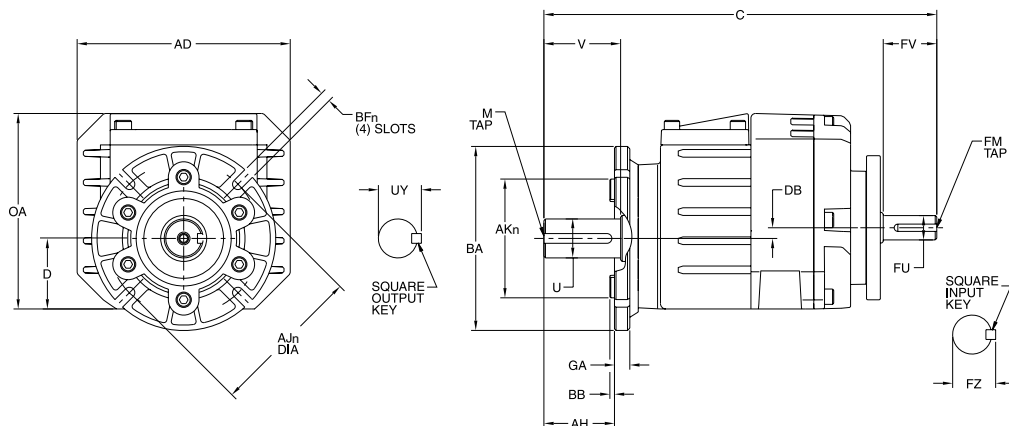
B1 BASE MOUNT IS SHOWN. ADDITIONAL INTERCHANGE BASES ARE AVAILABLE. CONSULT FACTORY

DIMENSIONS SHOWN ARE FOR REFERENCE ONLY.

DOWNLOAD AVAILABLE CAD MODELS AT: WWW.HUBCITYINC.COM

Hub City Spartan™ Helical In-Line Drives

Spartan™ Aluminum Helical In-Line Dimensions



NON-MOTORIZED, DOUBLE REDUCTION (F1 FLANGE MOUNT SHOWN)

MODEL	AD	AH	A _n	AK _n	BA	BB	BFn	C	D	DB	FM TAP	FM DEPTH	FU +0.000/-0.001	FV	FZ
ALHI4032C	5.47	1.42	3.94	3.15	4.72	0.12	0.28	9.89	1.79	0.27	1/4-20	0.62	0.625	1.57	0.70
ALHI4042C	5.47	1.31	3.94	3.15	4.72	0.12	0.28	10.29	1.81	0.27	1/4-20	0.62	0.625	1.57	0.70
ALHI4052C	6.86	2.26	5.12	4.33	6.30	0.14	0.35	12.99	2.76	0.21	5/16-18	0.75	0.750△	1.97	0.83
ALHI4062C	7.95	2.26	5.12	4.33	6.30	0.14	0.35	13.66	2.76	0.86	5/16-18	0.75	0.750△	1.97	0.83

MODEL	GA	M TAP	M DEPTH	OA	U +0.000/-0.001	UY	V	INPUT KEY	OUTPUT KEY
ALHI4032C	0.39	1/4-20	0.71	5.02	0.750	0.83	1.57	3/16 x 1.12	3/16 x 1.12
ALHI4042C	0.39	5/16-18	0.82	5.02	1.000	1.11	1.97	3/16 x 1.12	1/4 x 1.62
ALHI4052C	0.55	5/16-18	0.82	6.75	1.250	1.36	2.36	3/16 x 1.50	1/4 x 2.00
ALHI4062C	0.55	5/16-18	0.82	6.81	1.250*	1.36	2.36	3/16 x 1.50	1/4 x 2.00

NON-MOTORIZED, TRIPLE REDUCTION (F1 FLANGE MOUNT SHOWN)

MODEL	AD	AH	A _n	AK _n	BA	BB	BFn	C	D	DB	FM TAP	FM DEPTH	FU +0.000/-0.001	FV	FZ
ALHI4033C	5.47	1.42	3.94	3.15	4.72	0.12	0.28	10.07	1.81	0.13	1/4-20	0.62	0.625	1.57	0.70
ALHI4043C	5.47	1.81	3.94	3.15	4.72	0.12	0.28	10.46	1.81	0.13	1/4-20	0.62	0.625	1.57	0.70
ALHI4053C	6.86	2.26	5.12	4.33	6.30	0.14	0.35	13.33	2.76	0.61	5/16-18	0.75	0.750	1.57	0.83
ALHI4063C	7.95	2.26	5.12	4.33	6.30	0.14	0.35	14.01	2.76	0.63	5/16-18	0.75	0.750	1.57	0.83

MODEL	GA	M TAP	M DEPTH	OA	U +0.000/-0.001	UY	V	INPUT KEY	OUTPUT KEY
ALHI4033C	0.39	1/4-20	0.71	5.02	0.750	0.83	1.57	3/16 x 1.12	3/16 x 1.12
ALHI4043C	0.39	5/16-18	0.82	5.02	1.000	1.11	1.97	3/16 x 1.12	1/4 x 1.62
ALHI4053C	0.61	5/16-18	0.82	6.75	1.250	1.36	2.36	3/16 x 1.50	1/4 x 2.00
ALHI4063C	0.61	5/16-18	0.82	6.81	1.250*	1.36	2.36	3/16 x 1.50	1/4 x 2.00

* 1.375" DIAMETER SHAFT IS AVAILABLE. CONTACT FACTORY FOR AVAILABILITY.

△ 0.875" DIAMETER SHAFT IS AVAILABLE ON 2-STAGE REDUCERS ONLY. CONTACT FACTORY FOR AVAILABILITY.

n TOLERANCE OF AK ON FLANGES WITH BA DIMENSION UNDER 6.30" IS -0.0014 TO -0.0028". FLANGES WITH A BA OF 6.30" OR LARGER HAVE A AK TOLERANCE OF -0.0017 TO -0.0033".

DIMENSIONS SHOWN ARE FOR REFERENCE ONLY.

DOWNLOAD AVAILABLE CAD MODELS AT: WWW.HUBCITYINC.COM

Hub City Poweratio® 4000 Helical In-Line Drives

Poweratio® 4000 Helical Inline

Ratings @ 1750 RPM Input 1.00 Service Factor

HI4042 DOUBLE REDUCTION						
RATIO	OUTPUT SPEED	INPUT H.P.	OUTPUT TORQUE	OUTPUT OHL	INPUT OHL	OUTPUT THRUST
2.63	665	11.2	1020	530	140	610
2.95	593	10.4	1060	550	140	630
3.31	529	9.61	1100	570	140	650
3.72	470	9.10	1170	580	140	660
4.21	416	8.79	1280	590	140	650
4.78	366	7.75	1280	620	140	690
5.47	320	6.77	1280	650	140	730
5.87	298	6.31	1280	680	140	780
6.13	285	6.79	1440	710	140	840
6.86	255	6.16	1460	740	140	880
7.70	227	5.56	1480	770	140	920
8.67	202	5.17	1550	790	140	950
9.80	179	4.75	1610	820	140	980
11.14	157	4.41	1700	850	140	1010
12.74	137	3.95	1740	890	140	1060
13.67	128	3.77	1780	920	140	1100
16.66	105	3.13	1800	980	140	1250
20.77	84	2.52	1810	1050	140	1250
25.04	70	2.10	1820	1150	140	1250
28.79	61	1.84	1830	1150	140	1250
36.56	48	1.46	1840	1150	140	1250
44.10	40	1.21	1850	1150	140	1250
50.47	35	1.01	1770	1150	140	1250
HI4043 TRIPLE REDUCTION						
60.54	28.9	0.90	1850	1150	105	1250
72.63	24.1	0.75	1850	1150	105	1250
79.17	22.1	0.69	1850	1150	105	1250
92.74	18.9	0.59	1850	1150	105	1250
100.76	17.4	0.54	1850	1150	105	1250
115.15	15.2	0.47	1850	1150	105	1250
121.28	14.4	0.45	1850	1150	105	1250
133.14	13.1	0.41	1850	1150	105	1250
154.35	11.3	0.35	1850	1150	105	1250
176.40	9.9	0.31	1850	1150	105	1250
203.96	8.6	0.27	1850	1150	105	1250
239.42	7.3	0.23	1850	1150	105	1250
HI4062 DOUBLE REDUCTION						
2.57	681	18.6	1650	960	200	890
3.08	568	16.5	1760	1010	200	930
3.90	449	13.9	1880	1090	200	1000
4.52	387	12.6	1970	1140	200	1050
5.98	293	15.8	3260	1080	200	870
7.16	244	13.5	3340	1180	200	990
9.06	193	11.0	3450	1290	200	1110
10.52	166	10.1	3680	1340	200	1140
13.75	127	8.22	3910	1470	200	1260
16.43	107	7.04	4000	1560	200	1370
17.50	100	6.63	4010	1600	200	1400
20.00	88	5.83	4030	1600	200	1400
21.47	82	5.44	4040	1600	200	1400
25.00	70	4.69	4050	1600	200	1400
27.14	64	4.33	4060	1600	200	1400

SEE PAGES I-54 TO I-57 FOR ADDITIONAL MODELS AVAILABLE.

NOTE: QUAD REDUCTION UNITS ARE MANUFACTURED TO ORDER.

* INTEGRAL GEARMOTORS - SPECIFY MOUNTING TYPE I OR K, AND MOTOR HORSEPOWER (SEE PAGE I-8). CONSULT FACTORY FOR AVAILABILITY.

* MOTORIZED REDUCERS - SPECIFY MOUNTING TYPE E OR G, AND MOTOR PART NUMBER (SEE SECTION E).

ALL TORQUE VALUES LISTED IN INCH-POUNDS, ALL OVERHUNG LOAD AND THRUST LOAD VALUES LISTED IN POUNDS.

THE POINT OF APPLICATION OF OHL IS CONSIDERED TO BE APPLIED AT THE MIDPOINT OF SHAFT EXTENSION.

OHL & THRUST RATINGS CANNOT BE APPLIED SIMULTANEOUSLY. CONSULT THE FACTORY FOR APPLICATIONS WITH COMBINED OHL & THRUST LOAD. AT SPEEDS ABOVE 1750 RPM, UNITS MAY BECOME THERMALLY LIMITED. FOR EXTENDED OPERATION, LIMIT HP TO 1750 RPM RATING.

Hub City Poweratio® 4000 Helical In-Line Drives

Poweratio® 4000 Helical Inline Ratings @ 1750 RPM Input 1.00 Service Factor

HI4062 (continued)						
RATIO	OUTPUT SPEED	INPUT H.P.	OUTPUT TORQUE	OUTPUT OHL	INPUT OHL	OUTPUT THRUST
29.62	59	3.97	4070	1600	200	1400
32.50	54	3.64	4090	1600	200	1400
35.91	48.7	3.30	4100	1600	200	1400
45.00	38.9	2.64	4110	1600	200	1400
51.25	34.1	2.33	4120	1600	200	1400
HI4063 TRIPLE REDUCTION						
55.79	31.4	2.18	4120	1600	140	1400
61.69	28.4	1.97	4120	1600	140	1400
68.00	25.7	1.79	4120	1600	140	1400
75.71	23.1	1.62	4140	1600	140	1400
84.76	20.6	1.44	4140	1600	140	1400
92.29	19.0	1.33	4140	1600	140	1400
102.22	17.1	1.20	4140	1600	140	1400
115.03	15.2	1.06	4140	1600	140	1400
138.73	12.6	0.88	4140	1600	140	1400
149.23	11.7	0.82	4140	1600	140	1400
159.46	11.0	0.77	4140	1600	140	1400
180.00	9.7	0.68	4140	1600	140	1400
206.00	8.5	0.59	4140	1600	140	1400
244.29	7.2	0.50	4140	1600	140	1400
279.57	6.3	0.44	4140	1600	140	1400
HI4064 QUAD REDUCTION						
293.47	5.96	0.43	4140	1600	140	1400
318.50	5.49	0.39	4140	1600	140	1400
357.70	4.89	0.35	4140	1600	140	1400
399.90	4.38	0.31	4140	1600	140	1400
457.48	3.83	0.27	4140	1600	140	1400
537.72	3.25	0.23	4140	1600	140	1400
598.25	2.93	0.21	4140	1600	140	1400
679.78	2.57	0.18	4140	1600	140	1400
785.00	2.23	0.16	4140	1600	140	1400
899.32	1.95	0.14	4140	1600	140	1400
1034	1.69	0.12	4140	1600	140	1400
1197	1.46	0.10	4140	1600	140	1400
1370	1.28	0.09	4140	1600	140	1400
1584	1.10	0.08	4140	1600	140	1400
1812	0.97	0.07	4140	1600	140	1400
1985	0.88	0.06	4140	1600	140	1400
2260	0.77	0.06	4140	1600	140	1400
2587	0.68	0.05	4140	1600	140	1400
HI4662 DOUBLE REDUCTION						
2.41	726	26.9	2240	1230	200	1160
2.71	646	25.2	2360	1270	200	1190
3.05	574	23.5	2480	1310	200	1220
3.30	530	22.6	2580	1330	200	1240
3.73	469	20.9	2690	1370	200	1260

SEE PAGES I-54 TO I-57 FOR ADDITIONAL MODELS AVAILABLE.

NOTE: QUAD REDUCTION UNITS ARE MANUFACTURED TO ORDER.

* INTEGRAL GEARMOTORS - SPECIFY MOUNTING TYPE I OR K, AND MOTOR HORSEPOWER (SEE PAGE I-8). CONSULT FACTORY FOR AVAILABILITY.
 * MOTORIZED REDUCERS - SPECIFY MOUNTING TYPE E OR G, AND MOTOR PART NUMBER (SEE SECTION E).
 ALL TORQUE VALUES LISTED IN INCH-POUNDS, ALL OVERHUNG LOAD AND THRUST LOAD VALUES LISTED IN POUNDS.
 THE POINT OF APPLICATION OF OHL IS CONSIDERED TO BE APPLIED AT THE MIDPOINT OF SHAFT EXTENSION.
 OHL & THRUST RATINGS CANNOT BE APPLIED SIMULTANEOUSLY. CONSULT THE FACTORY FOR APPLICATIONS WITH COMBINED OHL & THRUST LOAD.
 AT SPEEDS ABOVE 1750 RPM, UNITS MAY BECOME THERMALLY LIMITED. FOR EXTENDED OPERATION, LIMIT HP TO 1750 RPM RATING.

Hub City Poweratio® 4000 Helical In-Line Drives

Poweratio® 4000 Helical Inline

Ratings @ 1750 RPM Input 1.00 Service Factor

HI4662 (continued)						
RATIO	OUTPUT SPEED	INPUT H.P.	OUTPUT TORQUE	OUTPUT OHL	INPUT OHL	OUTPUT THRUST
4.05	432	19.7	2760	1420	200	1320
4.61	380	18.0	2870	1470	200	1360
5.28	331	16.3	2970	1540	200	1430
5.88	298	18.1	3680	1550	200	1430
6.61	265	16.4	3750	1640	200	1500
7.44	235	15.3	3930	1690	200	1500
8.05	217	15.0	4180	1700	200	1500
9.10	192	13.7	4300	1700	200	1500
9.89	177	13.0	4430	1700	200	1500
11.25	156	12.0	4660	1700	200	1500
12.88	136	10.8	4810	1700	200	1500
15.61	112	9.32	5030	1700	200	1500
18.25	95.9	8.24	5200	1700	200	1500
21.65	80.8	6.99	5230	1700	200	1500
26.19	66.8	5.81	5260	1700	200	1500
32.53	53.8	4.71	5300	1700	200	1500
38.39	45.6	4.01	5320	1700	200	1500
46.38	37.7	3.33	5340	1700	200	1500
51.57	33.9	3.00	5350	1700	200	1500
HI4663 TRIPLE REDUCTION						
56.30	31.1	2.74	5220	1700	140	1500
60.40	29.0	2.63	5370	1700	140	1500
65.07	26.9	2.44	5370	1700	140	1500
73.94	23.7	2.15	5370	1700	140	1500
84.59	20.7	1.88	5370	1700	140	1500
91.77	19.1	1.73	5370	1700	140	1500
110.67	15.8	1.43	5370	1700	140	1500
127.22	13.8	1.25	5370	1700	140	1500
137.88	12.7	1.15	5370	1700	140	1500
161.57	10.8	1.00	5370	1700	140	1500
191.13	9.2	0.83	5370	1700	140	1500
223.03	7.8	0.71	5370	1700	140	1500
242.75	7.2	0.65	5370	1700	140	1500
292.80	6.0	0.54	5370	1700	140	1500
335.09	5.2	0.47	5370	1700	140	1500
HI4664 QUAD REDUCTION						
357.93	4.89	0.45	5370	1700	140	1500
414.47	4.22	0.39	5370	1700	140	1500
444.68	3.94	0.36	5370	1700	140	1500
489.11	3.58	0.33	5370	1700	140	1500
524.75	3.33	0.31	5370	1700	140	1500
574.33	3.05	0.28	5370	1700	140	1500
655.84	2.67	0.25	5370	1700	140	1500
753.85	2.32	0.21	5370	1700	140	1500
797.27	2.19	0.20	5370	1700	140	1500
859.20	2.04	0.19	5370	1700	140	1500
963.16	1.82	0.17	5370	1700	140	1500
1071	1.63	0.15	5370	1700	140	1500
1189	1.47	0.14	5370	1700	140	1500
1335	1.31	0.12	5370	1700	140	1500
1485	1.18	0.11	5370	1700	140	1500

SEE PAGES I-54 TO I-57 FOR ADDITIONAL MODELS AVAILABLE.

NOTE: QUAD REDUCTION UNITS ARE MANUFACTURED TO ORDER.

* INTEGRAL GEARMOTORS - SPECIFY MOUNTING TYPE I OR K, AND MOTOR HORSEPOWER (SEE PAGE I-8). CONSULT FACTORY FOR AVAILABILITY.

* MOTORIZED REDUCERS - SPECIFY MOUNTING TYPE E OR G, AND MOTOR PART NUMBER (SEE SECTION E).

ALL TORQUE VALUES LISTED IN INCH-POUNDS, ALL OVERHUNG LOAD AND THRUST LOAD VALUES LISTED IN POUNDS.

THE POINT OF APPLICATION OF OHL IS CONSIDERED TO BE APPLIED AT THE MIDPOINT OF SHAFT EXTENSION.

OHL & THRUST RATINGS CANNOT BE APPLIED SIMULTANEOUSLY. CONSULT THE FACTORY FOR APPLICATIONS WITH COMBINED OHL & THRUST LOAD.

AT SPEEDS ABOVE 1750 RPM, UNITS MAY BECOME THERMALLY LIMITED. FOR EXTENDED OPERATION, LIMIT HP TO 1750 RPM RATING.

Hub City Poweratio® 4000 Helical In-Line Drives

Poweratio® 4000 Helical Inline Ratings @ 1750 RPM Input 1.00 Service Factor

HI4664 (continued)						
RATIO	OUTPUT SPEED	INPUT H.P.	OUTPUT TORQUE	OUTPUT OHL	INPUT OHL	OUTPUT THRUST
1693	1.03	0.10	5370	1700	140	1500
1886	0.93	0.09	5370	1700	140	1500
2045	0.86	0.08	5370	1700	140	1500
2341	0.75	0.07	5370	1700	140	1500
2603	0.67	0.06	5370	1700	140	1500
HI4072 DOUBLE REDUCTION						
2.39	732.2	28.6	2360	1280	385	1400
2.67	655.4	28.5	2630	1340	385	1500
2.99	585.3	27.2	2810	1350	385	1580
3.22	543.5	25.5	2840	1350	385	1580
3.62	483.4	23.0	2880	1450	385	1580
3.92	446.4	21.8	2960	1550	385	1580
4.44	394.1	20.0	3070	1620	385	1580
5.06	345.8	18.3	3200	1640	385	1580
6.01	291.2	25.2	5230	1685	385	1580
6.71	260.8	23.3	5400	1685	385	1580
7.50	233.3	21.4	5560	1685	385	1580
8.09	216.3	20.3	5680	1685	385	1580
9.09	192.5	18.6	5860	1710	385	1580
9.85	177.7	17.6	6000	1710	385	1580
11.15	157.0	15.7	6050	1780	385	1580
12.71	137.7	14.5	6370	1830	385	1580
17.85	98.0	11.2	6900	2030	385	1620
21.10	82.9	10.0	7260	2120	385	1620
25.44	68.8	8.25	7260	2150	385	1620
31.51	55.5	6.66	7260	2200	385	1620
37.11	47.2	5.66	7260	2230	385	1620
44.75	39.1	4.69	7260	2240	385	1620
49.72	35.2	4.22	7260	2240	385	1620
HI4073 TRIPLE REDUCTION						
50.87	34.4	4.22	7260	2240	140	1620
55.74	31.4	3.85	7260	2240	140	1620
57.81	30.3	3.71	7260	2240	140	1620
63.01	27.8	3.40	7260	2240	140	1620
66.13	26.5	3.24	7260	2240	140	1620
70.95	24.7	3.02	7260	2240	140	1620
71.61	24.4	2.99	7260	2240	140	1620
81.92	21.4	2.62	7260	2240	140	1620
86.48	20.2	2.48	7260	2240	140	1620
87.89	19.9	2.44	7260	2240	140	1620
107.12	16.3	2.00	7260	2240	140	1620
130.00	13.5	1.65	7260	2240	140	1620
133.53	13.1	1.61	7260	2240	140	1620
149.43	11.7	1.44	7260	2240	140	1620
161.04	10.9	1.33	7260	2240	140	1620
185.10	9.5	1.16	7260	2240	140	1620
189.79	9.2	1.13	7260	2240	140	1620
228.92	7.6	0.94	7260	2240	140	1620
235.09	7.4	0.91	7260	2240	140	1620
261.99	6.7	0.82	7260	2240	140	1620
283.56	6.2	0.76	7260	2240	140	1620
324.52	5.4	0.66	7260	2240	140	1620

SEE PAGES I-54 TO I-57 FOR ADDITIONAL MODELS AVAILABLE.

NOTE: QUAD REDUCTION UNITS ARE MANUFACTURED TO ORDER.

* INTEGRAL GEARMOTORS - SPECIFY MOUNTING TYPE I OR K, AND MOTOR HORSEPOWER (SEE PAGE I-8). CONSULT FACTORY FOR AVAILABILITY.

* MOTORIZED REDUCERS - SPECIFY MOUNTING TYPE E OR G, AND MOTOR PART NUMBER (SEE SECTION E).

ALL TORQUE VALUES LISTED IN INCH-POUNDS, ALL OVERHUNG LOAD AND THRUST LOAD VALUES LISTED IN POUNDS.

THE POINT OF APPLICATION OF OHL IS CONSIDERED TO BE APPLIED AT THE MIDPOINT OF SHAFT EXTENSION.

OHL & THRUST RATINGS CANNOT BE APPLIED SIMULTANEOUSLY. CONSULT THE FACTORY FOR APPLICATIONS WITH COMBINED OHL & THRUST LOAD. AT SPEEDS ABOVE 1750 RPM, UNITS MAY BECOME THERMALLY LIMITED. FOR EXTENDED OPERATION, LIMIT HP TO 1750 RPM RATING.

Hub City Poweratio® 4000 Helical In-Line Drives

Poweratio® 4000 Helical Inline

Ratings @ 1750 RPM Input 1.00 Service Factor

HI4074 QUAD REDUCTION						
RATIO	OUTPUT SPEED	INPUT H.P.	OUTPUT TORQUE	OUTPUT OHL	INPUT OHL	OUTPUT THRUST
344.84	5.1	0.62	7260	2240	200	1620
356.92	4.9	0.60	7260	2240	200	1620
400.36	4.4	0.54	7260	2240	200	1620
445.13	3.9	0.48	7260	2240	200	1620
546.12	3.2	0.39	7260	2240	200	1620
649.47	2.7	0.33	7260	2240	200	1620
803.08	2.2	0.27	7260	2240	200	1620
855.21	2.0	0.25	7260	2240	200	1620
1007.34	1.74	0.21	7260	2240	200	1620
1099.10	1.59	0.20	7260	2240	200	1620
1206.15	1.45	0.18	7260	2240	200	1620
1472.57	1.19	0.15	7260	2240	200	1620
1670.06	1.05	0.13	7260	2240	200	1620
1785.51	0.98	0.12	7260	2240	200	1620
2237.54	0.78	0.10	7260	2240	200	1620
HI4082 DOUBLE REDUCTION						
2.39	731	53.8	4450	1820	595	1850
2.67	655	50.5	4660	1830	595	1850
2.99	585	47.2	4880	1840	595	1850
3.22	543	44.9	5000	1840	595	1850
3.62	483	41.8	5230	1840	595	1850
3.77	464	40.4	5270	1850	595	1850
4.26	411	37.3	5490	1860	595	1850
5.06	346	32.9	5750	1880	595	1850
6.01	291	45.5	9450	1900	595	1850
6.71	261	42.6	9890	1980	595	1850
7.50	233	40.0	10360	2080	595	1850
8.09	216	38.0	10630	2100	595	1850
9.09	193	35.3	11100	2140	595	1850
9.46	185	34.2	11200	2150	595	1850
10.69	164	31.5	11650	2200	595	1850
12.71	138	27.7	12190	2350	595	1850
17.85	98	21.4	13200	2500	595	1950
21.10	83	18.2	13260	2750	595	1950
25.44	69	15.1	13300	3000	595	2400
31.51	56	12.2	13330	3400	595	2400
44.75	39	8.65	13380	3800	595	2400
49.72	35	7.80	13400	3800	595	2400
HI4083 TRIPLE REDUCTION						
53.50	32.7	7.56	13700	3800	200	2400
57.11	30.6	7.09	13700	3800	200	2400
66.27	26.4	6.11	13700	3800	200	2400
69.95	25.0	5.79	13700	3800	200	2400
83.58	20.9	4.84	13700	3800	200	2400
86.65	20.2	4.67	13700	3800	200	2400
89.03	19.7	4.55	13700	3800	200	2400
103.53	16.9	3.91	13700	3800	200	2400
110.28	15.9	3.67	13700	3800	200	2400
126.03	13.9	3.21	13700	3800	200	2400
135.30	12.9	2.99	13700	3800	200	2400
138.08	12.7	2.93	13700	3800	200	2400
150.66	11.6	2.69	13700	3800	200	2400
157.54	11.1	2.57	13700	3800	200	2400
165.33	10.6	2.45	13700	3800	200	2400

SEE PAGES I-54 TO I-57 FOR ADDITIONAL MODELS AVAILABLE.

NOTE: QUAD REDUCTION UNITS ARE MANUFACTURED TO ORDER.

* INTEGRAL GEARMOTORS - SPECIFY MOUNTING TYPE I OR K, AND MOTOR HORSEPOWER (SEE PAGE I-8). CONSULT FACTORY FOR AVAILABILITY.

* MOTORIZED REDUCERS - SPECIFY MOUNTING TYPE E OR G, AND MOTOR PART NUMBER (SEE SECTION E).

ALL TORQUE VALUES LISTED IN INCH-POUNDS, ALL OVERHUNG LOAD AND THRUST LOAD VALUES LISTED IN POUNDS.

THE POINT OF APPLICATION OF OHL IS CONSIDERED TO BE APPLIED AT THE MIDPOINT OF SHAFT EXTENSION.

OHL & THRUST RATINGS CANNOT BE APPLIED SIMULTANEOUSLY. CONSULT THE FACTORY FOR APPLICATIONS WITH COMBINED OHL & THRUST LOAD.

AT SPEEDS ABOVE 1750 RPM, UNITS MAY BECOME THERMALLY LIMITED. FOR EXTENDED OPERATION, LIMIT HP TO 1750 RPM RATING.

Hub City Poweratio® 4000 Helical In-Line Drives

Poweratio® 4000 Helical Inline Ratings @ 1750 RPM Input 1.00 Service Factor

HI4083 (continued)						
RATIO	OUTPUT SPEED	INPUT H.P.	OUTPUT TORQUE	OUTPUT OHL	INPUT OHL	OUTPUT THRUST
171.04	10.2	2.37	13700	3800	200	2400
182.68	9.6	2.22	13700	3800	200	2400
186.62	9.4	2.17	13700	3800	200	2400
204.80	8.5	1.98	13700	3800	200	2400
226.28	7.7	1.79	13700	3800	200	2400
228.92	7.6	1.77	13700	3800	200	2400
260.72	6.7	1.55	13700	3800	200	2400
283.57	6.2	1.43	13700	3800	200	2400
322.95	5.4	1.25	13700	3800	200	2400
HI4084 QUAD REDUCTION						
310.23	5.6	1.30	13700	3800	385	2400
351.29	5.0	1.15	13700	3800	385	2400
400.30	4.4	1.01	13700	3800	385	2400
445.16	3.9	0.91	13700	3800	385	2400
536.67	3.3	0.75	13700	3800	385	2400
646.98	2.7	0.63	13700	3800	385	2400
801.43	2.2	0.50	13700	3800	385	2400
992.73	1.76	0.41	13700	3800	385	2400
1169.33	1.50	0.35	13700	3800	385	2400
1264.75	1.38	0.32	13700	3800	385	2400
1410.13	1.24	0.29	13700	3800	385	2400
1566.66	1.12	0.26	13700	3800	385	2400
1845.34	0.95	0.22	13700	3800	385	2400
2225.37	0.79	0.18	13700	3800	385	2400
2472.38	0.71	0.16	13700	3800	385	2400
HI4092 DOUBLE REDUCTION						
2.24	781.3	103.3	8000	3370	950	2200
2.53	691.7	96.4	8430	3370	950	2270
3.15	555.6	84.8	9230	3370	950	2290
3.60	486.1	77.9	9700	3370	950	2290
4.60	380.4	66.1	10510	3370	950	2290
5.36	326.5	56.7	10510	3370	950	2290
5.92	295.6	80.6	16500	3370	950	2290
6.69	261.6	75.7	17500	3370	950	2290
8.34	209.8	62.4	18000	3370	950	2290
9.52	183.8	55.3	18200	3370	950	2290
12.17	143.8	45.6	19200	3370	950	2290
14.17	123.5	41.6	20400	3370	950	2360
18.25	95.9	35.0	22100	3370	950	2740
20.03	87.4	33.4	23100	3370	950	2850
24.55	71.3	29.5	25000	3370	950	3240
27.50	63.6	24.3	23100	3370	950	3420
31.10	56.3	21.5	23100	3370	950	3440
38.29	45.7	17.5	23200	3370	950	3440
44.93	38.9	15.0	23300	3370	950	3440
59.86	29.2	11.3	23400	3370	950	3440
67.06	26.1	10.1	23400	3370	950	3440

SEE PAGES I-54 TO I-57 FOR ADDITIONAL MODELS AVAILABLE.

NOTE: QUAD REDUCTION UNITS ARE MANUFACTURED TO ORDER.

* INTEGRAL GEARMOTORS - SPECIFY MOUNTING TYPE I OR K, AND MOTOR HORSEPOWER (SEE PAGE I-8). CONSULT FACTORY FOR AVAILABILITY.
 * MOTORIZED REDUCERS - SPECIFY MOUNTING TYPE E OR G, AND MOTOR PART NUMBER (SEE SECTION E).
 ALL TORQUE VALUES LISTED IN INCH-POUNDS, ALL OVERHUNG LOAD AND THRUST LOAD VALUES LISTED IN POUNDS.
 THE POINT OF APPLICATION OF OHL IS CONSIDERED TO BE APPLIED AT THE MIDPOINT OF SHAFT EXTENSION.
 OHL & THRUST RATINGS CANNOT BE APPLIED SIMULTANEOUSLY. CONSULT THE FACTORY FOR APPLICATIONS WITH COMBINED OHL & THRUST LOAD.
 AT SPEEDS ABOVE 1750 RPM, UNITS MAY BECOME THERMALLY LIMITED. FOR EXTENDED OPERATION, LIMIT HP TO 1750 RPM RATING.

Hub City Poweratio® 4000 Helical In-Line Drives

Poweratio® 4000 Helical Inline

Ratings @ 1750 RPM Input 1.00 Service Factor

HI4093 TRIPLE REDUCTION						
RATIO	OUTPUT SPEED	INPUT H.P.	OUTPUT TORQUE	OUTPUT OHL	INPUT OHL	OUTPUT THRUST
57.40	30.5	13.7	26600	4460	385	3440
62.19	28.1	12.6	26600	4460	385	3440
63.37	27.6	12.4	26600	4460	385	3440
70.42	24.9	11.2	26600	4460	385	3440
80.24	21.8	9.79	26600	4460	385	3440
89.01	19.7	8.83	26600	4460	385	3440
105.23	16.6	7.47	26600	4460	385	3440
112.71	15.5	6.97	26600	4460	385	3440
126.87	13.8	6.19	26600	4460	385	3440
133.27	13.1	5.90	26600	4460	385	3440
157.15	11.1	5.00	26600	4460	385	3440
160.67	10.9	4.89	26600	4460	385	3440
185.09	9.5	4.25	26600	4460	385	3440
199.01	8.8	3.95	26600	4460	385	3440
223.22	7.8	3.52	26600	4460	385	3440
234.40	7.5	3.35	26600	4460	385	3440
248.00	7.1	3.17	26600	4460	385	3440
282.69	6.2	2.78	26600	4460	385	3440
314.06	5.6	2.50	26600	4460	385	3440
HI4094 QUAD REDUCTION						
357.43	4.9	2.20	26600	4460	595	3440
438.20	4.0	1.79	26600	4460	595	3440
490.71	3.6	1.60	26600	4460	595	3440
554.88	3.2	1.42	26600	4460	595	3440
631.04	2.8	1.25	26600	4460	595	3440
656.02	2.7	1.20	26600	4460	595	3440
807.76	2.2	0.97	26600	4460	595	3440
979.66	1.79	0.80	26600	4460	595	3440
1206.25	1.45	0.65	26600	4460	595	3440
1391.56	1.26	0.56	26600	4460	595	3440
1713.43	1.02	0.46	26600	4460	595	3440
1903.62	0.92	0.41	26600	4460	595	3440
2112.65	0.83	0.37	26600	4460	595	3440
2679.05	0.65	0.29	26600	4460	595	3440
3000.92	0.58	0.26	26600	4460	595	3440
3334.02	0.52	0.24	26600	4460	595	3440
HI4102 DOUBLE REDUCTION						
2.26	774.3	125.0	9770	2725	950	2790
2.58	678.3	125.0	11150	2735	950	2790
2.96	592.0	125.0	12780	2745	950	2790
3.79	461.5	125.1	16400	2755	950	2790
4.60	380.8	121.5	19300	2570	950	2790
5.43	322.6	102.9	19300	2700	950	2790
6.01	291.4	125.2	26000	2750	950	2790
6.86	255.2	110.9	26300	2785	950	2790
7.85	222.8	103.1	28000	2790	950	2790
10.08	173.6	100.4	35000	2800	950	2790
12.21	143.3	90.2	38100	2810	950	2790
14.41	121.4	76.5	38100	3050	950	3040
18.12	96.6	60.8	38100	3350	950	3040
20.04	87.3	55.0	38100	3500	950	3300
22.30	78.5	49.4	38100	3700	950	3750
25.01	70.0	44.1	38100	3900	950	3750
28.33	61.8	38.9	38100	4200	950	3750
32.48	53.9	33.9	38100	4350	950	5320

SEE PAGES I-54 TO I-57 FOR ADDITIONAL MODELS AVAILABLE.

NOTE: QUAD REDUCTION UNITS ARE MANUFACTURED TO ORDER.

* INTEGRAL GEARMOTORS - SPECIFY MOUNTING TYPE I OR K, AND MOTOR HORSEPOWER (SEE PAGE I-8). CONSULT FACTORY FOR AVAILABILITY.
 * MOTORIZED REDUCERS - SPECIFY MOUNTING TYPE E OR G, AND MOTOR PART NUMBER (SEE SECTION E).

ALL TORQUE VALUES LISTED IN INCH-POUNDS, ALL OVERHUNG LOAD AND THRUST LOAD VALUES LISTED IN POUNDS.

THE POINT OF APPLICATION OF OHL IS CONSIDERED TO BE APPLIED AT THE MIDPOINT OF SHAFT EXTENSION.

OHL & THRUST RATINGS CANNOT BE APPLIED SIMULTANEOUSLY. CONSULT THE FACTORY FOR APPLICATIONS WITH COMBINED OHL & THRUST LOAD.

AT SPEEDS ABOVE 1750 RPM, UNITS MAY BECOME THERMALLY LIMITED. FOR EXTENDED OPERATION, LIMIT HP TO 1750 RPM RATING.

Hub City Poweratio® 4000 Helical In-Line Drives

Poweratio® 4000 Helical Inline Ratings @ 1750 RPM Input 1.00 Service Factor

HI4103 TRIPLE REDUCTION						
RATIO	OUTPUT SPEED	INPUT H.P.	OUTPUT TORQUE	OUTPUT OHL	INPUT OHL	OUTPUT THRUST
34.56	50.6	32.6	38100	4550	385	5350
38.59	45.3	29.2	38100	4570	385	5350
39.63	44.2	28.4	38100	4850	385	5350
43.15	40.6	26.1	38100	5000	385	5350
46.55	37.6	24.2	38100	5100	385	5350
49.47	35.4	22.7	38100	5300	385	5350
52.30	33.5	21.5	38100	5450	385	5350
53.37	32.8	21.1	38100	5500	385	5350
54.42	32.2	20.7	38100	5550	385	5350
59.97	29.2	18.8	38100	5750	385	5350
61.51	28.5	18.3	38100	6000	385	5350
62.40	28.0	18.0	38100	6000	385	5350
70.52	24.8	16.0	38100	6300	385	5350
73.12	23.9	15.4	38100	6300	385	5350
83.84	20.9	13.4	38100	6500	385	5350
102.70	17.0	11.0	38100	6500	385	5350
117.76	14.9	9.56	38100	6500	385	5350
121.43	14.4	9.27	38100	6500	385	5350
139.23	12.6	8.08	38100	6500	385	5350
146.39	12.0	7.69	38100	6500	385	5350
167.85	10.4	6.71	38100	6500	385	5350
181.32	9.7	6.21	38100	6500	385	5350
207.90	8.4	5.41	38100	6500	385	5350
257.56	6.8	4.37	38100	6500	385	5350
286.15	6.1	3.93	38100	6500	385	5350
295.31	5.9	3.81	38100	6500	385	5350
328.09	5.3	3.43	38100	6500	385	5350
HI4104 QUAD REDUCTION						
357.56	4.9	3.15	38100	6500	595	5350
397.95	4.4	2.83	38100	6500	595	5350
446.41	3.9	2.52	38100	6500	595	5350
527.77	3.3	2.13	38100	6500	595	5350
636.26	2.8	1.77	38100	6500	595	5350
702.58	2.5	1.60	38100	6500	595	5350
826.21	2.1	1.36	38100	6500	595	5350
896.70	2.0	1.26	38100	6500	595	5350
997.98	1.75	1.13	38100	6500	595	5350
1023.44	1.71	1.10	38100	6500	595	5350
1119.52	1.56	1.01	38100	6500	595	5350
1268.07	1.38	0.89	38100	6500	595	5350
1408.82	1.24	0.80	38100	6500	595	5350
1453.75	1.20	0.77	38100	6500	595	5350
1615.11	1.08	0.70	38100	6500	595	5350

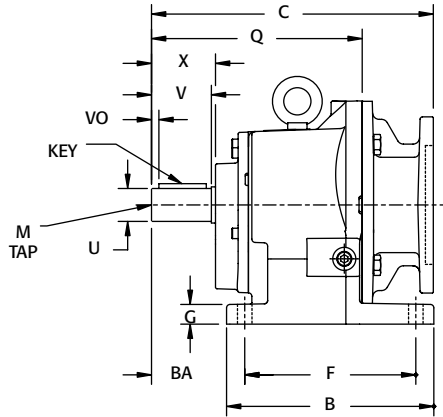
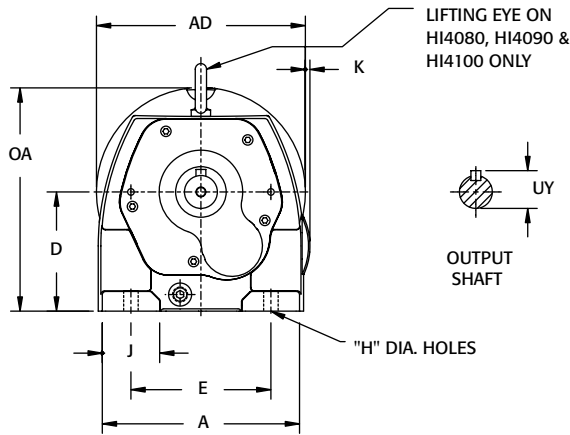
SEE PAGES I-54 TO I-57 FOR ADDITIONAL MODELS AVAILABLE.

NOTE: QUAD REDUCTION UNITS ARE MANUFACTURED TO ORDER.

* INTEGRAL GEARMOTORS - SPECIFY MOUNTING TYPE I OR K, AND MOTOR HORSEPOWER (SEE PAGE I-8). CONSULT FACTORY FOR AVAILABILITY.
 * MOTORIZED REDUCERS - SPECIFY MOUNTING TYPE E OR G, AND MOTOR PART NUMBER (SEE SECTION E).
 ALL TORQUE VALUES LISTED IN INCH-POUNDS, ALL OVERHUNG LOAD AND THRUST LOAD VALUES LISTED IN POUNDS.
 THE POINT OF APPLICATION OF OHL IS CONSIDERED TO BE APPLIED AT THE MIDPOINT OF SHAFT EXTENSION.
 OHL & THRUST RATINGS CANNOT BE APPLIED SIMULTANEOUSLY. CONSULT THE FACTORY FOR APPLICATIONS WITH COMBINED OHL & THRUST LOAD.
 AT SPEEDS ABOVE 1750 RPM, UNITS MAY BECOME THERMALLY LIMITED. FOR EXTENDED OPERATION, LIMIT HP TO 1750 RPM RATING.

Hub City Poweratio® 4000 Helical In-Line Drives

Double Reduction



DIMENSIONS ARE INCH
mm

GEARCASE

MODEL	A	AD	B	BA	D	E	F	G	H	J	K	OA	Q
HI4042E	5.72 145	6.61 168	6.30 160	2.95 75	3.54 ⁺⁰ _{-.02} 90 ⁺⁰ _{-.5}	4.33 110	5.12 130	0.59 15	0.39 10	1.38 35	0.29 7	6.66 169	7.29 185
HI4062E	7.48 190	7.93 201	7.87 200	3.94 100	4.53 ⁺⁰ _{-.02} 115 ⁺⁰ _{-.5}	5.32 135	6.50 165	0.75 19	0.53 14	2.18 55	N/A N/A	8.47 215	8.40 213
HI4662E	8.14 207	8.50 216	9.13 232	3.94 100	5.12 ⁺⁰ _{-.02} 130 ⁺⁰ _{-.5}	5.91 150	7.68 195	0.82 21	0.53 14	2.38 61	0.24 6	9.06 230	9.44 240
HI4072E	8.66 220	9.97 253	9.65 245	4.53 115	5.51 ⁺⁰ _{-.02} 140 ⁺⁰ _{-.5}	6.69 170	8.07 205	0.98 25	0.69 18	2.18 55	N/A N/A	10.46 266	10.79 274
HI4082E	11.34 288	11.96 304	12.59 320	5.51 140	7.09 ⁺⁰ _{-.02} 180 ⁺⁰ _{-.5}	8.47 215	10.24 260	1.11 28	0.75 19	2.92 74	N/A N/A	13.03 331	12.99 330
HI4092E	13.42 341	14.00 356	14.37 365	6.30 160	8.86 ⁺⁰ _{-.02} 225 ⁺⁰ _{-.5}	9.84 250	12.21 310	1.38 35	0.91 23	3.54 90	0.45 11	15.85 403	16.41 417
HI4102E	15.25 387	16.08 408	17.32 440	7.28 185	9.84 ⁺⁰ _{-.02} 250 ⁺⁰ _{-.5}	11.42 290	14.57 370	1.50 38	1.02 26	4.00 102	0.35 9	16.77 426	19.00 483

OUTPUT SHAFT *

MODEL	U	UY	V	VO	X	KEY	M
HI4042E	1.000 ⁺⁰ _{-.001}	1.10	N/A	0.40	2.12	1/4 x 1/4 x 1-1/2	3/8-24 x 0.91
HI4062E	1.375 ⁺⁰ _{-.001}	1.51	N/A	0.44	2.83	5/16 x 5/16 x 1-3/4	1/2-13 x 1.13
HI4662E	1.375 ⁺⁰ _{-.001}	1.51	2.76	0.44	2.94	5/16 x 5/16 x 1-3/4	1/2-13 x 1.13
HI4072E	1.625 ⁺⁰ _{-.001}	1.78	3.15	0.45	3.27	3/8 x 3/8 x 2-1/4	5/8-11 x 1.38
HI4082E	2.125 ⁺⁰ _{-.001}	2.34	3.94	0.64	4.06	1/2 x 1/2 x 2-5/8	3/4-10 x 1.61
HI4092E	2.375 ⁺⁰ _{-.001}	2.64	4.72	0.70	4.95	5/8 x 5/8 x 3-3/4	3/4-10 x 1.61
HI4102E	2.875 ⁺⁰ _{-.001}	3.19	5.51	0.67	5.62	3/4 x 3/4 x 4-1/8	3/4-10 x 1.61

MOTOR COMPATIBILITY - NEMA

MODEL	NEMA								
	56C	143TC 145TC	182TC 184TC	213TC 215TC	254TC 256TC	284TC 286TC	324TC 326TC	364TC 366TC	
HI4042E	C	9.90	9.90	11.21	-	-	-	-	-
HI4062E	C	11.10	11.10	12.12	12.12	-	-	-	-
HI4662E	C	12.14	12.14	13.16	13.16	-	-	-	-
HI4072E	C	14.15	14.15	14.83	14.83	14.83	-	-	-
HI4082E	C	-	-	18.45	18.45	18.45	19.00	-	-
HI4092E	C	-	-	20.89	20.89	20.89	20.89	22.15	22.15
HI4102E	C	-	-	23.49	23.49	23.49	23.49	24.75	24.75

* SEE PAGES I-82 AND I-83 FOR ADDITIONAL SHAFT DIAMETERS AVAILABLE.
SEE PAGES I-58 TO I-61 FOR ADDITIONAL MODELS AVAILABLE.

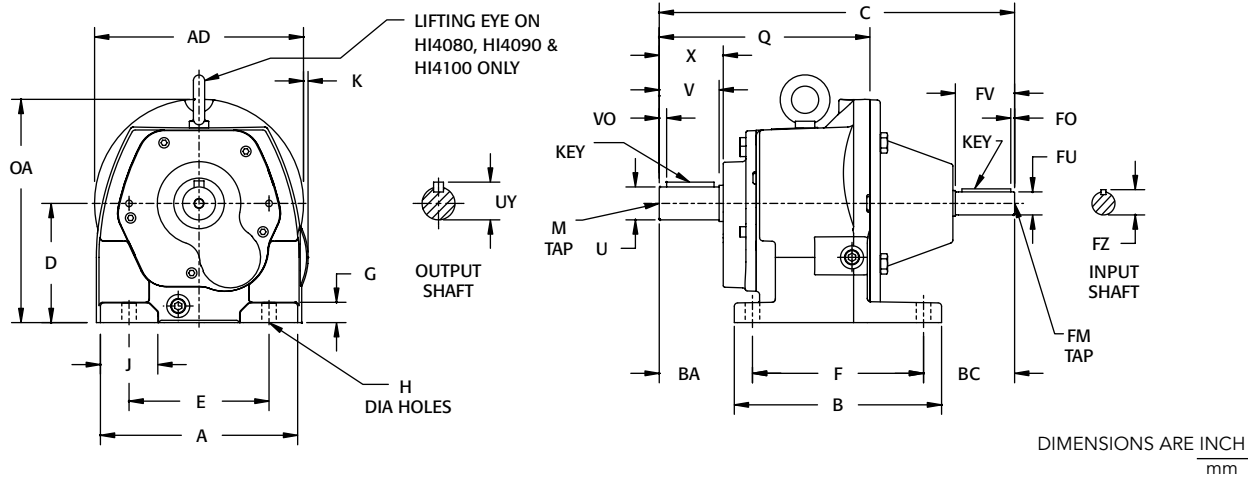
DIMENSIONS SHOWN ARE FOR REFERENCE ONLY.
DOWNLOAD AVAILABLE CAD MODELS AT: WWW.HUBCITYINC.COM



FOR SAFETY AND TO COMPLY WITH LOCAL AND NATIONAL SAFETY CODES, THE PURCHASER OR USER MUST PROVIDE PROTECTIVE GUARDS OVER ALL SHAFT EXTENSIONS AND DEVICES MOUNTED THEREON.

Hub City Poweratio® 4000 Helical In-Line Drives

Double Reduction



GEARCASE

MODEL	A	AD	B	BA	D	E	F	G	H	J	K	OA	Q
HI4042A	5.72 145	6.61 168	6.30 160	2.95 75	3.54 ⁺⁰ _{-.02} 90 ⁺⁰ _{-.5}	4.33 110	5.12 130	0.59 15	0.39 10	1.38 35	0.29 7	6.66 169	7.29 185
HI4062A	7.48 190	7.93 201	7.87 200	3.94 100	4.53 ⁺⁰ _{-.02} 115 ⁺⁰ _{-.5}	5.32 135	6.50 165	0.75 19	0.53 14	2.18 55	N/A N/A	8.47 215	8.40 213
HI4662A	8.14 207	8.50 216	9.13 232	3.94 100	5.12 ⁺⁰ _{-.02} 130 ⁺⁰ _{-.5}	5.91 150	7.68 195	0.82 21	0.53 14	2.38 61	0.24 6	9.06 230	9.44 240
HI4072A	8.66 220	9.97 253	9.65 245	4.53 115	5.51 ⁺⁰ _{-.02} 140 ⁺⁰ _{-.5}	6.69 170	8.07 205	0.98 25	0.69 18	2.18 55	N/A N/A	10.46 266	10.79 274
HI4082A	11.34 288	11.96 304	12.59 320	5.51 140	7.09 ⁺⁰ _{-.02} 180 ⁺⁰ _{-.5}	8.47 215	10.24 260	1.11 28	0.75 19	2.92 74	N/A N/A	13.03 331	12.99 330
HI4092A	13.42 341	14.00 356	14.37 365	6.30 160	8.86 ⁺⁰ _{-.02} 225 ⁺⁰ _{-.5}	9.84 250	12.21 310	1.38 35	0.91 23	3.54 90	0.45 11	15.85 403	16.41 417
HI4102A	15.25 387	16.08 408	17.32 440	7.28 185	9.84 ⁺⁰ _{-.02} 250 ⁺⁰ _{-.5}	11.42 290	14.57 370	1.50 38	1.02 26	4.00 102	0.35 9	16.77 426	19.00 483

OUTPUT SHAFT *

MODEL	U	UY	V	VO	X	KEY	M
HI4042A	1.000 ⁺⁰ _{-.001}	1.10	N/A	0.40	2.12	1/4 x 1/4 x 1-1/2	3/8-24 x 0.91
HI4062A	1.375 ⁺⁰ _{-.001}	1.51	N/A	0.44	2.83	5/16 x 5/16 x 1-3/4	1/2-13 x 1.13
HI4662A	1.375 ⁺⁰ _{-.001}	1.51	2.76	0.44	2.94	5/16 x 5/16 x 1-3/4	1/2-13 x 1.13
HI4072A	1.625 ⁺⁰ _{-.001}	1.78	3.15	0.45	3.27	3/8 x 3/8 x 2-1/4	5/8-11 x 1.38
HI4082A	2.125 ⁺⁰ _{-.001}	2.34	3.94	0.64	4.06	1/2 x 1/2 x 2-5/8	3/4-10 x 1.61
HI4092A	2.375 ⁺⁰ _{-.001}	2.64	4.72	0.70	4.95	5/8 x 5/8 x 3-3/4	3/4-10 x 1.61
HI4102A	2.875 ⁺⁰ _{-.001}	3.19	5.51	0.67	5.62	3/4 x 3/4 x 4-1/8	3/4-10 x 1.61

INPUT SHAFT *

MODEL	FU	FZ	FV	FO	KEY	FM
HI4042A	0.750 ⁺⁰ _{-.001}	0.82	1.57	0.25	3/16 x 3/16 x 1-1/16	N/A
HI4062A	0.875 ⁺⁰ _{-.001}	0.95	2.25	N/A	3/16 x 3/16 x 2	1/4-20 x 0.75
HI4662A	0.875 ⁺⁰ _{-.001}	0.95	2.25	N/A	3/16 x 3/16 x 2	1/4-20 x 0.75
HI4072A	1.125 ⁺⁰ _{-.001}	1.23	2.63	N/A	1/4 x 1/4 x 2-1/2	3/8-16 x 1.00
HI4082A	1.375 ⁺⁰ _{-.001}	1.51	3.15	0.35	5/16 x 5/16 x 2-3/8	1/2-13 x 1.41
HI4092A	1.875 ⁺⁰ _{-.001}	2.08	3.75	N/A	1/2 x 1/2 x 3-1/4	5/8-18 x 1.50
HI4102A	1.875 ⁺⁰ _{-.001}	2.08	3.75	N/A	1/2 x 1/2 x 3-1/4	5/8-18 x 1.50

GEARCASE/INPUT

MODEL	BC	C
HI4042A	3.56	11.63
HI4062A	3.45	13.89
HI4662A	3.31	14.93
HI4072A	5.04	17.64
HI4082A	5.82	21.57
HI4092A	6.82	25.33
HI4102A	6.07	27.92

* SEE PAGES I-82 AND I-83 FOR ADDITIONAL SHAFT DIAMETERS AVAILABLE.
SEE PAGES I-58 TO I-61 FOR ADDITIONAL MODELS AVAILABLE.

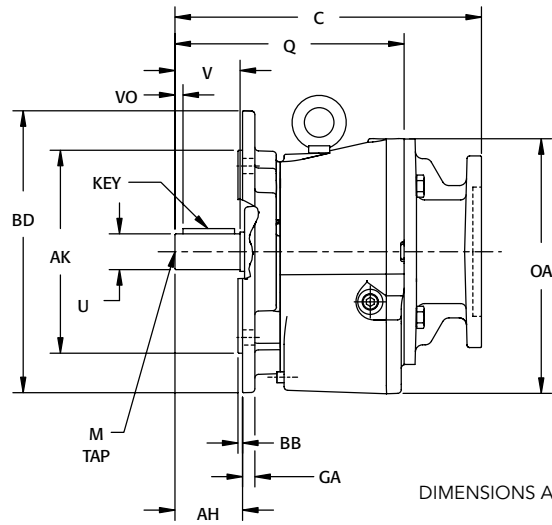
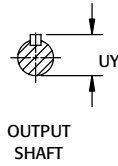
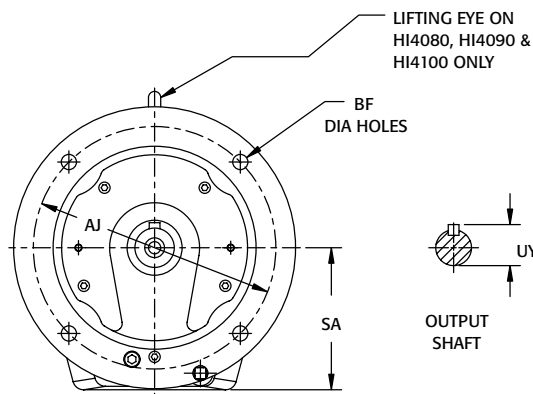
DIMENSIONS SHOWN ARE FOR REFERENCE ONLY.
DOWNLOAD AVAILABLE CAD MODELS AT: WWW.HUBCITYINC.COM



FOR SAFETY AND TO COMPLY WITH LOCAL AND NATIONAL SAFETY CODES, THE PURCHASER OR USER MUST PROVIDE PROTECTIVE GUARDS OVER ALL SHAFT EXTENSIONS AND DEVICES MOUNTED THEREON.

Hub City Poweratio® 4000 Helical In-Line Drives

Double Reduction



DIMENSIONS ARE INCH
mm

GEARCASE

MODEL	OA	Q	SA
HI4042G	7.20	7.29	4.04
	183	185	103
HI4062G	8.88	8.40	4.94
	226	213	126
HI4662G	9.71	9.44	5.74
	247	240	146
HI4072G	10.93	10.79	5.94
	278	274	151
HI4082G	13.05	12.99	7.08
	331	330	180
HI4092G	16.42	16.41	9.45
	417	417	240
HI4102G	17.98	19.00	11.02
	457	483	280

OUTPUT SHAFT

AH	AJ	AK	BB	BD	BF	GA
1.97	6.50	5.118 ⁺⁰ _{-.002}	0.14	7.90	0.47	0.43
50	165	130 ^{-.003} _{-.054}	4	200	12	11
2.76	8.46	7.087 ^{-.0004} _{-.0029}	0.16	9.84	0.53	0.43
70	215	180 ⁺⁰ _{-.064}	4	250	14	11
2.76	8.46	7.087 ^{-.0004} _{-.0029}	0.16	9.84	0.53	0.43
70	215	180 ⁺⁰ _{-.064}	4	250	14	11
3.15	10.43	9.055 ⁺⁰ _{-.0001}	0.16	11.81	0.53	0.59
80	265	230 ⁺⁰ _{-.072}	4	300	14	15
3.93	11.81	9.843 ^{-.0005} _{-.0025}	0.20	13.78	0.69	0.70
100	300	250 ⁺⁰ _{-.051}	5	350	18	18
4.72	15.75	13.780 ^{-.0005} _{-.0032}	0.19	17.74	0.75	1.02
120	400	350 ⁺⁰ _{-.070}	5	451	19	26
5.51	15.75	13.780 ^{-.0005} _{-.0032}	0.20	17.72	0.75	1.00
140	400	350 ⁺⁰ _{-.070}	5	450	19	25.4

OUTPUT SHAFT * - CONT.

MODEL	U	UY	V	VO	KEY	M
HI4042G	1.000 ⁺⁰ _{-.001}	1.10	N/A	0.40	1/4 x 1/4 x 1-1/2	3/8-24 x 0.91
HI4062G	1.375 ⁺⁰ _{-.001}	1.51	N/A	0.44	5/16 x 5/16 x 1-3/4	1/2-13 x 1.13
HI4662G	1.375 ⁺⁰ _{-.001}	1.51	2.76	0.44	5/16 x 5/16 x 1-3/4	1/2-13 x 1.13
HI4072G	1.625 ⁺⁰ _{-.001}	1.78	3.15	0.45	3/8 x 3/8 x 2-1/4	5/8-11 x 1.38
HI4082G	2.125 ⁺⁰ _{-.001}	2.34	3.94	0.64	1/2 x 1/2 x 2-5/8	3/4-10 x 1.61
HI4092G	2.375 ⁺⁰ _{-.001}	2.64	4.72	0.70	5/8 x 5/8 x 3-3/4	3/4-10 x 1.61
HI4102G	2.875 ⁺⁰ _{-.001}	3.19	5.51	0.67	3/4 x 3/4 x 4-1/8	3/4-10 x 1.61

DIMENSIONS SHOWN ARE FOR REFERENCE ONLY.

DOWNLOAD AVAILABLE CAD MODELS AT: WWW.HUBCITYINC.COM

MOTOR COMPATIBILITY - NEMA

MODEL	NEMA								
	56C	143TC 145TC	182TC 184TC	213TC 215TC	254TC 256TC	284TC 286TC	324TC 326TC	364TC 366TC	
HI4042G	C	9.90	9.90	11.21	-	-	-	-	-
HI4062G	C	11.10	11.10	12.12	12.12	-	-	-	-
HI4662G	C	12.14	12.14	13.16	13.16	-	-	-	-
HI4072G	C	14.15	14.15	14.83	14.83	14.83	-	-	-
HI4082G	C	-	-	18.45	18.45	18.45	19.00	-	-
HI4092G	C	-	-	20.89	20.89	20.89	20.89	22.15	22.15
HI4102G	C	-	-	23.49	23.49	23.49	23.49	24.75	24.75

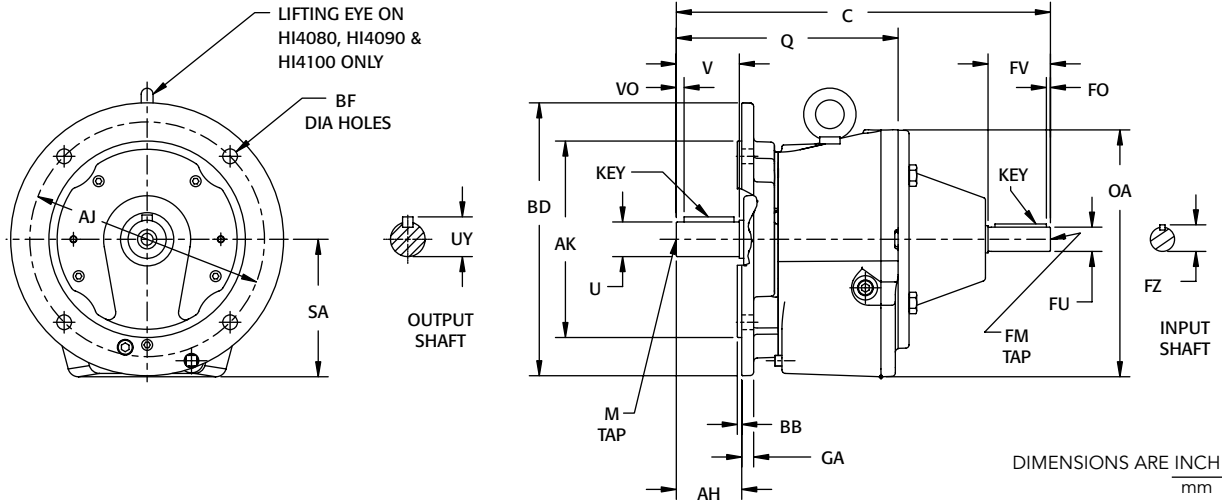
* SEE PAGES I-82 AND I-83 FOR ADDITIONAL SHAFT DIAMETERS AVAILABLE.
SEE PAGES I-58 TO I-61 FOR ADDITIONAL MODELS AVAILABLE.



FOR SAFETY AND TO COMPLY WITH LOCAL AND NATIONAL SAFETY CODES, THE PURCHASER OR USER MUST PROVIDE PROTECTIVE GUARDS OVER ALL SHAFT EXTENSIONS AND DEVICES MOUNTED THEREON.

Hub City Poweratio® 4000 Helical In-Line Drives

Double Reduction



GEARCASE

MODEL	OA	Q	SA
HI4042C	7.20 183	7.29 185	4.04 103
HI4062C	8.88 226	8.40 213	4.94 126
HI4662C	9.71 247	9.44 240	5.74 146
HI4072C	10.93 278	10.79 274	5.94 151
HI4082C	13.05 331	12.99 330	7.08 180
HI4092C	16.42 417	16.41 417	9.45 240
HI4102C	17.98 457	19.00 483	11.02 280

OUTPUT SHAFT

AH	AJ	AK	BB	BD	BF	GA
1.97 50	6.50 165	5.118 ⁺⁰ _{-.002} 130 ^{-.003} _{-.054}	0.14 4	7.90 200	0.47 12	0.43 11
2.76 70	8.46 215	7.087 ^{-.0004} _{-.0029} 180 ⁺⁰ _{-.064}	0.16 4	9.84 250	0.53 14	0.43 11
2.76 70	8.46 215	7.087 ^{-.0004} _{-.0029} 180 ⁺⁰ _{-.064}	0.16 4	9.84 250	0.53 14	0.43 11
3.15 80	10.43 265	9.055 ⁺⁰ _{-.0027} 230 ⁺⁰ _{-.072}	0.16 4	11.81 300	0.53 14	0.59 15
3.93 100	11.81 300	9.843 ^{-.0005} _{-.0025} 250 ⁺⁰ _{-.051}	0.20 5	13.78 350	0.69 18	0.70 18
4.72 120	15.75 400	13.780 ^{-.0005} _{-.0032} 350 ⁺⁰ _{-.070}	0.19 5	17.74 451	0.75 19	1.02 26
5.51 140	15.75 400	13.780 ^{-.0005} _{-.0032} 350 ⁺⁰ _{-.070}	0.20 5	17.72 450	0.75 19	1.00 25.4

OUTPUT SHAFT * - CONT.

MODEL	U	UY	V	VO	KEY	M
HI4042C	1.000 ⁺⁰ _{-.001}	1.10	N/A	0.40	1/4 x 1/4 x 1-1/2	3/8-24 x 0.91
HI4062C	1.375 ⁺⁰ _{-.001}	1.51	N/A	0.44	5/16 x 5/16 x 1-3/4	1/2-13 x 1.13
HI4662C	1.375 ⁺⁰ _{-.001}	1.51	2.76	0.44	5/16 x 5/16 x 1-3/4	1/2-13 x 1.13
HI4072C	1.625 ⁺⁰ _{-.001}	1.78	3.15	0.45	3/8 x 3/8 x 2-1/4	5/8-11 x 1.38
HI4082C	2.125 ⁺⁰ _{-.001}	2.34	3.94	0.64	1/2 x 1/2 x 2-5/8	3/4-10 x 1.61
HI4092C	2.375 ⁺⁰ _{-.001}	2.64	4.72	0.70	5/8 x 5/8 x 3-3/4	3/4-10 x 1.61
HI4102C	2.875 ⁺⁰ _{-.001}	3.19	5.51	0.67	3/4 x 3/4 x 4-1/8	3/4-10 x 1.61

DIMENSIONS SHOWN ARE FOR REFERENCE ONLY.

DOWNLOAD AVAILABLE CAD MODELS AT: WWW.HUBCITYINC.COM

INPUT SHAFT *

MODEL	FU	FZ	FV	FO	KEY	FM
HI4042C	0.750 ⁺⁰ _{-.001}	0.82	1.57	0.25	3/16 x 3/16 x 1-1/16	N/A
HI4062C	0.875 ⁺⁰ _{-.001}	0.95	2.25	N/A	3/16 x 3/16 x 2	1/4-20 x 0.75
HI4662C	0.875 ⁺⁰ _{-.001}	0.95	2.25	N/A	3/16 x 3/16 x 2	1/4-20 x 0.75
HI4072C	1.125 ⁺⁰ _{-.001}	1.23	2.63	N/A	1/4 x 1/4 x 2-1/2	3/8-16 x 1.00
HI4082C	1.375 ⁺⁰ _{-.001}	1.51	3.15	0.35	5/16 x 5/16 x 2-3/8	1/2-13 x 1.41
HI4092C	1.875 ⁺⁰ _{-.001}	2.08	3.75	N/A	1/2 x 1/2 x 3-1/4	5/8-18 x 1.50
HI4102C	1.875 ⁺⁰ _{-.001}	2.08	3.75	N/A	1/2 x 1/2 x 3-1/4	5/8-18 x 1.50

GEARCASE/INPUT

MODEL	C
HI4042C	11.63
HI4062C	13.89
HI4662C	14.93
HI4072C	17.64
HI4082C	21.57
HI4092C	25.33
HI4102C	27.92

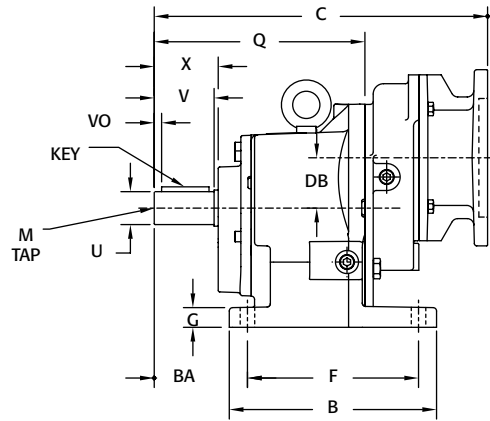
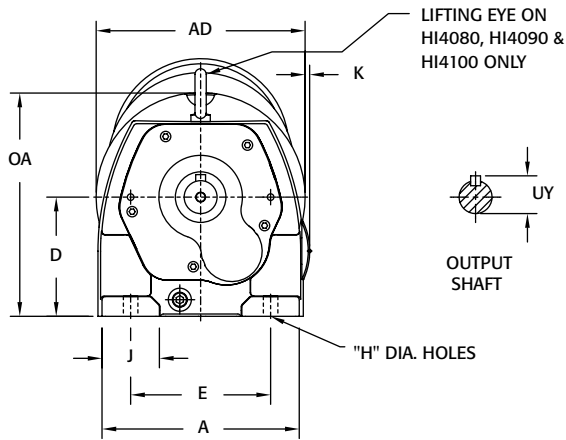
* SEE PAGES I-82 AND I-83 FOR ADDITIONAL SHAFT DIAMETERS AVAILABLE.
SEE PAGES I-58 TO I-61 FOR ADDITIONAL MODELS AVAILABLE.



FOR SAFETY AND TO COMPLY WITH LOCAL AND NATIONAL SAFETY CODES, THE PURCHASER OR USER MUST PROVIDE PROTECTIVE GUARDS OVER ALL SHAFT EXTENSIONS AND DEVICES MOUNTED THEREON.

Hub City Poweratio® 4000 Helical In-Line Drives

Triple Reduction



DIMENSIONS ARE INCH
mm

GEARCASE

MODEL	A	AD	B	BA	D	DB	E	F	G	H	J	K	OA	Q
HI4043E	5.72	6.61	6.30	2.95	3.54 ^{+0.02}	1.50	4.33	5.12	0.59	0.39	1.38	0.29	6.66	7.29
	145	168	160	75	90 ^{+0.5}	38	110	130	15	10	35	7	169	185
HI4063E	7.48	7.93	7.87	3.94	4.53 ^{+0.02}	1.91	5.32	6.50	0.75	0.53	2.18	N/A	8.47	8.40
	190	201	200	100	115 ^{+0.5}	49	135	165	19	14	55	N/A	215	213
HI4663E	8.14	8.50	9.13	3.94	5.12 ^{+0.02}	1.91	5.91	7.68	0.82	0.53	2.38	0.24	9.06	9.44
	207	216	232	100	130 ^{+0.5}	49	150	195	21	14	61	6	230	240
HI4073E	8.66	9.97	9.65	4.53	5.51 ^{+0.02}	1.91	6.69	8.07	0.98	0.69	2.18	N/A	10.46	10.79
	220	253	245	115	140 ^{+0.5}	49	170	205	25	18	55	N/A	266	274
HI4083E	11.34	11.96	12.59	5.51	7.09 ^{+0.02}	2.36	8.47	10.24	1.11	0.75	2.92	N/A	13.03	12.99
	288	304	320	140	180 ^{+0.5}	60	215	260	28	19	74	N/A	331	330
HI4093E	13.42	14.00	14.37	6.30	8.86 ^{+0.02}	2.87	9.84	12.21	1.38	0.91	3.54	0.45	15.85	16.41
	341	356	365	160	225 ^{+0.5}	73	250	310	35	23	90	11	403	417
HI4103E	15.25	16.08	17.32	7.28	9.84 ^{+0.02}	3.39	11.42	14.57	1.50	1.02	4.00	0.35	16.77	19.00
	387	408	440	185	250 ^{+0.5}	86	290	370	38	26	102	9	426	483

OUTPUT SHAFT *

MODEL	U	UY	V	VO	X	KEY	M
HI4043E	1.000 ^{+0.001}	1.10	N/A	0.40	2.12	1/4 x 1/4 x 1-1/2	3/8-24 x 0.91
HI4063E	1.375 ^{+0.001}	1.51	N/A	0.44	2.83	5/16 x 5/16 x 1-3/4	1/2-13 x 1.13
HI4663E	1.375 ^{+0.001}	1.51	2.76	0.44	2.94	5/16 x 5/16 x 1-3/4	1/2-13 x 1.13
HI4073E	1.625 ^{+0.001}	1.78	3.15	0.45	3.27	3/8 x 3/8 x 2-1/4	5/8-11 x 1.38
HI4083E	2.125 ^{+0.001}	2.34	3.94	0.64	4.06	1/2 x 1/2 x 2-5/8	3/4-10 x 1.61
HI4093E	2.375 ^{+0.001}	2.64	4.72	0.70	4.95	5/8 x 5/8 x 3-3/4	3/4-10 x 1.61
HI4103E	2.875 ^{+0.001}	3.19	5.51	0.67	5.62	3/4 x 3/4 x 4-1/8	3/4-10 x 1.61

MOTOR COMPATIBILITY - NEMA

MODEL		NEMA					
		56C	143TC 145TC	182TC 184TC	213TC 215TC	254TC 256TC	284TC 286TC
HI4043E	C	10.68	-	-	-	-	-
HI4063E	C	13.06	13.06	-	-	-	-
HI4663E	C	14.10	14.10	-	-	-	-
HI4073E	C	14.97	14.97	-	-	-	-
HI4083E	C	16.87	16.87	17.89	-	-	-
HI4093E	C	22.30	22.30	22.98	22.98	22.98	-
HI4103E	C	-	-	28.34	28.34	28.34	28.89

DIMENSIONS SHOWN ARE FOR REFERENCE ONLY.

DOWNLOAD AVAILABLE CAD MODELS AT:
WWW.HUBCITYINC.COM

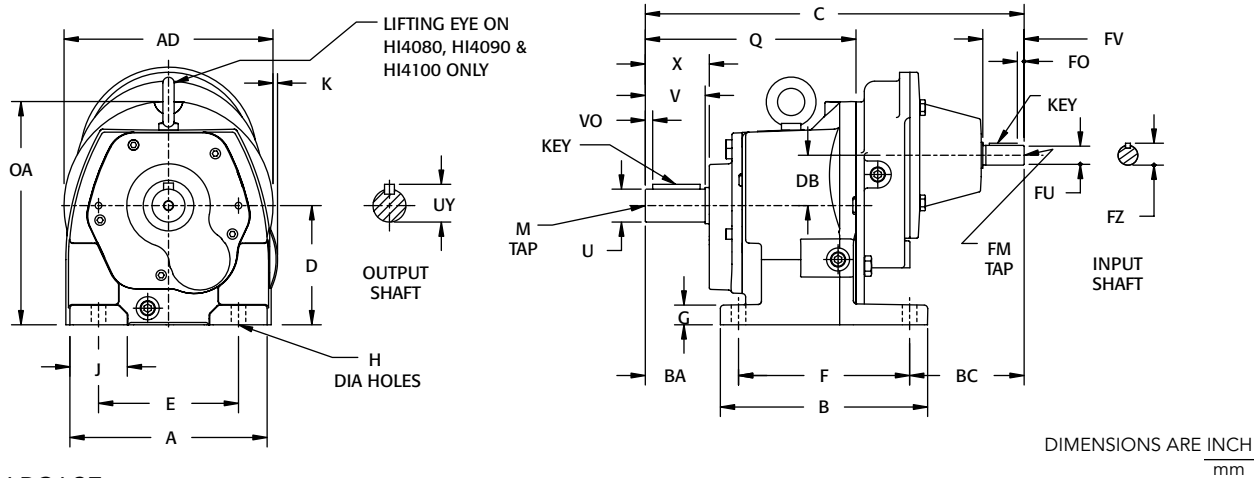
* SEE PAGES I-82 AND I-83 FOR ADDITIONAL SHAFT DIAMETERS AVAILABLE.
SEE PAGES I-58 TO I-61 FOR ADDITIONAL MODELS AVAILABLE.



FOR SAFETY AND TO COMPLY WITH LOCAL AND NATIONAL SAFETY CODES, THE PURCHASER OR USER MUST PROVIDE PROTECTIVE GUARDS OVER ALL SHAFT EXTENSIONS AND DEVICES MOUNTED THEREON.

Hub City Poweratio® 4000 Helical In-Line Drives

Triple Reduction



GEARCASE

MODEL	A	AD	B	BA	D	DB	E	F	G	H	J	K	OA	Q
HI4043A	5.72 145	6.61 168	6.30 160	2.95 75	3.54 ⁺⁰ _{-.02} 90 ⁺⁰ _{-.5}	1.50 38	4.33 110	5.12 130	0.59 15	0.39 10	1.38 35	0.29 7	6.66 169	7.29 185
HI4063A	7.48 190	7.93 201	7.87 200	3.94 100	4.53 ⁺⁰ _{-.02} 115 ⁺⁰ _{-.5}	1.91 49	5.32 135	6.50 165	0.75 19	0.53 14	2.18 55	N/A N/A	8.47 215	8.40 213
HI4663A	8.14 207	8.50 216	9.13 232	3.94 100	5.12 ⁺⁰ _{-.02} 130 ⁺⁰ _{-.5}	1.91 49	5.91 150	7.68 195	0.82 21	0.53 14	2.38 61	0.24 6	9.06 230	9.44 240
HI4073A	8.66 220	9.97 253	9.65 245	4.53 115	5.51 ⁺⁰ _{-.02} 140 ⁺⁰ _{-.5}	1.91 49	6.69 170	8.07 205	0.98 25	0.69 18	2.18 55	N/A N/A	10.46 266	10.79 274
HI4083A	11.34 288	11.96 304	12.59 320	5.51 140	7.09 ⁺⁰ _{-.02} 180 ⁺⁰ _{-.5}	2.36 60	8.47 215	10.24 260	1.11 28	0.75 19	2.92 74	N/A N/A	13.03 331	12.99 330
HI4093A	13.42 341	14.00 356	14.37 365	6.30 160	8.86 ⁺⁰ _{-.02} 225 ⁺⁰ _{-.5}	2.87 73	9.84 250	12.21 310	1.38 35	0.91 23	3.54 90	0.45 11	15.85 403	16.41 417
HI4103A	15.25 387	16.08 408	17.32 440	7.28 185	9.84 ⁺⁰ _{-.02} 250 ⁺⁰ _{-.5}	3.39 86	11.42 290	14.57 370	1.50 38	1.02 26	4.00 102	0.35 9	16.77 426	19.00 483

OUTPUT SHAFT *

MODEL	U	UY	V	VO	X	KEY	M
HI4043A	1.000 ⁺⁰ _{-.001}	1.10	N/A	0.40	2.12	1/4 x 1/4 x 1-1/2	3/8-24 x 0.91
HI4063A	1.375 ⁺⁰ _{-.001}	1.51	N/A	0.44	2.83	5/16 x 5/16 x 1-3/4	1/2-13 x 1.13
HI4663A	1.375 ⁺⁰ _{-.001}	1.51	2.76	0.44	2.94	5/16 x 5/16 x 1-3/4	1/2-13 x 1.13
HI4073A	1.625 ⁺⁰ _{-.001}	1.78	3.15	0.45	3.27	3/8 x 3/8 x 2-1/4	5/8-11 x 1.38
HI4083A	2.125 ⁺⁰ _{-.001}	2.34	3.94	0.64	4.06	1/2 x 1/2 x 2-5/8	3/4-10 x 1.61
HI4093A	2.375 ⁺⁰ _{-.001}	2.64	4.72	0.70	4.95	5/8 x 5/8 x 3-3/4	3/4-10 x 1.61
HI4103A	2.875 ⁺⁰ _{-.001}	3.19	5.51	0.67	5.62	3/4 x 3/4 x 4-1/8	3/4-10 x 1.61

INPUT SHAFT *

MODEL	FU	FZ	FV	FO	KEY	FM
HI4043A	0.625 ⁺⁰ _{-.001}	0.69	1.57	0.25	3/16 x 3/16 x 1-1/16	N/A
HI4063A	0.750 ⁺⁰ _{-.001}	0.82	1.57	0.25	3/16 x 3/16 x 1-1/16	N/A
HI4663A	0.750 ⁺⁰ _{-.001}	0.82	1.57	0.25	3/16 x 3/16 x 1-1/16	N/A
HI4073A	0.750 ⁺⁰ _{-.001}	0.82	1.57	0.25	3/16 x 3/16 x 1-1/16	N/A
HI4083A	0.875 ⁺⁰ _{-.001}	0.95	2.25	N/A	3/16 x 3/16 x 2	1/4-20 x 0.75
HI4093A	1.125 ⁺⁰ _{-.001}	1.23	2.63	N/A	1/4 x 1/4 x 2-3/8	3/8-16 x 1.00
HI4103A	1.375 ⁺⁰ _{-.001}	1.51	3.15	0.35	5/16 x 5/16 x 2-3/8	1/2-13 x 1.41

GEARCASE/INPUT

MODEL	BC	C
HI4043A	4.12	12.19
HI4063A	4.35	14.78
HI4663A	4.21	15.82
HI4073A	4.10	16.70
HI4083A	3.92	19.66
HI4093A	7.29	25.79
HI4103A	9.62	31.46

* SEE PAGES I-82 AND I-83 FOR ADDITIONAL SHAFT DIAMETERS AVAILABLE.
SEE PAGES I-58 TO I-61 FOR ADDITIONAL MODELS AVAILABLE.

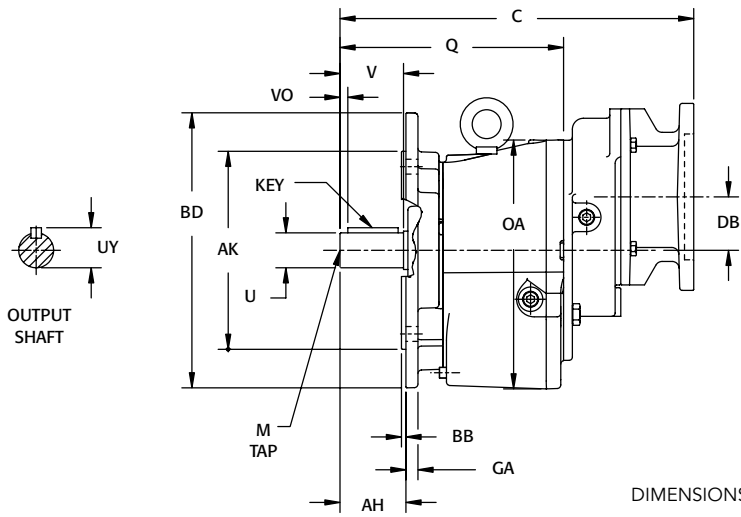
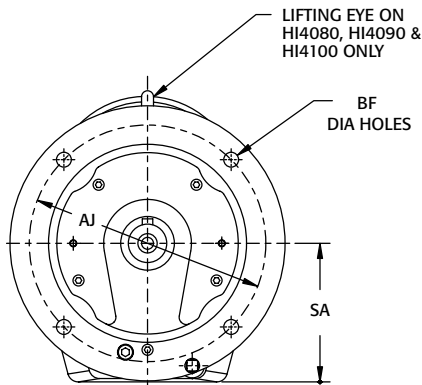
DIMENSIONS SHOWN ARE FOR REFERENCE ONLY.
DOWNLOAD AVAILABLE CAD MODELS AT: WWW.HUBCITYINC.COM



FOR SAFETY AND TO COMPLY WITH LOCAL AND NATIONAL SAFETY CODES, THE PURCHASER OR USER MUST PROVIDE PROTECTIVE GUARDS OVER ALL SHAFT EXTENSIONS AND DEVICES MOUNTED THEREON.

Hub City Poweratio® 4000 Helical In-Line Drives

Triple Reduction



DIMENSIONS ARE INCH
mm

GEARCASE

MODEL	OA	Q	SA	DB
HI4043G	7.20 183	7.29 185	4.04 103	1.50 38
HI4063G	8.88 226	8.40 213	4.94 126	1.91 49
HI4663G	9.71 247	9.44 240	5.74 146	1.91 49
HI4073G	10.93 278	10.79 274	5.94 151	1.91 49
HI4083G	13.05 331	12.99 330	7.08 180	2.36 60
HI4093G	16.42 417	16.41 417	9.45 240	2.87 73
HI4103G	17.98 457	19.00 483	11.02 280	3.39 86

OUTPUT SHAFT

AH	AJ	AK	BB	BD	BF	GA
1.97 50	6.50 165	5.118 ⁺⁰ _{-.002} 130 ^{-.003} _{-.054}	0.14 4	7.90 200	0.47 12	0.43 11
2.76 70	8.46 215	7.087 ^{-.0004} _{-.0029} 180 ⁺⁰ _{-.064}	0.16 4	9.84 250	0.53 14	0.43 11
2.76 70	8.46 215	7.087 ^{-.0004} _{-.0029} 180 ⁺⁰ _{-.064}	0.16 4	9.84 250	0.53 14	0.43 11
3.15 80	10.43 265	9.055 ^{+.0001} _{-.0027} 230 ⁺⁰ _{-.072}	0.16 4	11.81 300	0.53 14	0.59 15
3.93 100	11.81 300	9.843 ^{-.0005} _{-.0025} 250 ⁺⁰ _{-.051}	0.20 5	13.78 350	0.69 18	0.70 18
4.72 120	15.75 400	13.780 ^{-.0005} _{-.0032} 350 ⁺⁰ _{-.070}	0.19 5	17.74 451	0.75 19	1.02 26
5.51 140	15.75 400	13.780 ^{-.0005} _{-.0032} 350 ⁺⁰ _{-.070}	0.20 5	17.72 450	0.75 19	1.00 25.4

OUTPUT SHAFT * - CONT.

MODEL	U	UY	V	VO	KEY	M
HI4043G	1.000 ⁺⁰ _{-.001}	1.10	N/A	0.40	1/4 x 1/4 x 1-1/2	3/8-24 x 0.91
HI4063G	1.375 ⁺⁰ _{-.001}	1.51	N/A	0.44	5/16 x 5/16 x 1-3/4	1/2-13 x 1.13
HI4663G	1.375 ⁺⁰ _{-.001}	1.51	2.76	0.44	5/16 x 5/16 x 1-3/4	1/2-13 x 1.13
HI4073G	1.625 ⁺⁰ _{-.001}	1.78	3.15	0.45	3/8 x 3/8 x 2-1/4	5/8-11 x 1.38
HI4083G	2.125 ⁺⁰ _{-.001}	2.34	3.94	0.64	1/2 x 1/2 x 2-5/8	3/4-10 x 1.61
HI4093G	2.375 ⁺⁰ _{-.001}	2.64	4.72	0.70	5/8 x 5/8 x 3-3/4	3/4-10 x 1.61
HI4103G	2.875 ⁺⁰ _{-.001}	3.19	5.51	0.67	3/4 x 3/4 x 4-1/8	3/4-10 x 1.61

MOTOR COMPATIBILITY - NEMA

MODEL	NEMA					
	56C	143TC 145TC	182TC 184TC	213TC 215TC	254TC 256TC	284TC 286TC
HI4043G	C	10.68	-	-	-	-
HI4063G	C	13.06	13.06	-	-	-
HI4663G	C	14.10	14.10	-	-	-
HI4073G	C	14.97	14.97	-	-	-
HI4083G	C	16.87	16.87	17.89	-	-
HI4093G	C	22.30	22.30	22.98	22.98	22.98
HI4103G	C	-	-	28.34	28.34	28.34

DIMENSIONS SHOWN ARE FOR REFERENCE ONLY.

DOWNLOAD AVAILABLE CAD MODELS AT:
WWW.HUBCITYINC.COM

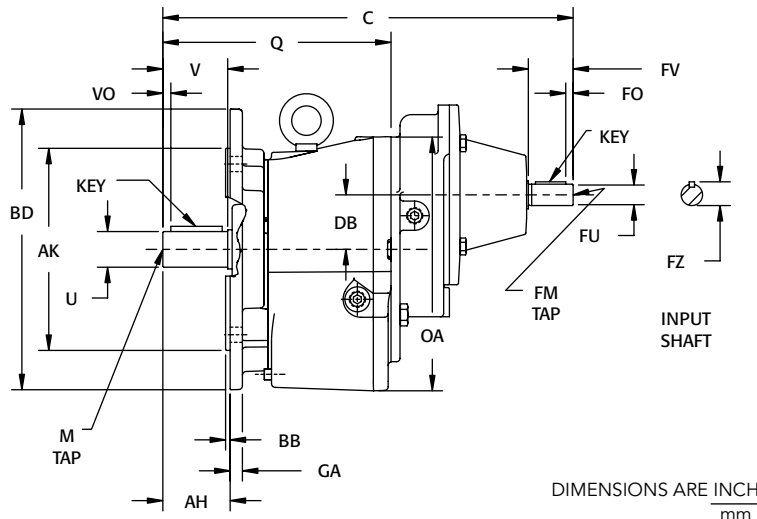
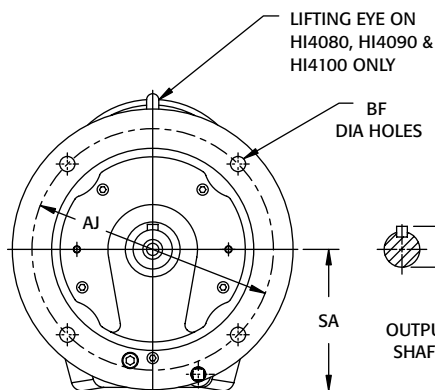
* SEE PAGES I-82 AND I-83 FOR ADDITIONAL SHAFT DIAMETERS AVAILABLE.
SEE PAGES I-58 TO I-61 FOR ADDITIONAL MODELS AVAILABLE.



FOR SAFETY AND TO COMPLY WITH LOCAL AND NATIONAL SAFETY CODES, THE PURCHASER OR USER MUST PROVIDE PROTECTIVE GUARDS OVER ALL SHAFT EXTENSIONS AND DEVICES MOUNTED THEREON.

Hub City Poweratio® 4000 Helical In-Line Drives

Triple Reduction



GEARCASE

MODEL	OA	Q	SA	DB
HI4043C	7.20	7.29	4.04	1.50
	183	185	103	38
HI4063C	8.88	8.40	4.94	1.91
	226	213	126	49
HI4663C	9.71	9.44	5.74	1.91
	247	240	146	49
HI4073C	10.93	10.79	5.94	1.91
	278	274	151	49
HI4083C	13.05	12.99	7.08	2.36
	331	330	180	60
HI4093C	16.42	16.41	9.45	2.87
	417	417	240	73
HI4103C	17.98	19.00	11.02	3.39
	457	483	280	86

OUTPUT SHAFT

AH	AJ	AK	BB	BD	BF	GA
1.97	6.50	5.118 ⁺⁰ _{-.002}	0.14	7.90	0.47	0.43
50	165	130 ^{-.003} _{-.054}	4	200	12	11
2.76	8.46	7.087 ^{-.0004} _{-.0029}	0.16	9.84	0.53	0.43
70	215	180 ⁺⁰ _{-.064}	4	250	14	11
2.76	8.46	7.087 ^{-.0004} _{-.0029}	0.16	9.84	0.53	0.43
70	215	180 ⁺⁰ _{-.064}	4	250	14	11
3.15	10.43	9.055 ^{+0.0001} _{-.0027}	0.16	11.81	0.53	0.59
80	265	230 ⁺⁰ _{-.072}	4	300	14	15
3.93	11.81	9.843 ^{-.0005} _{-.0025}	0.20	13.78	0.69	0.70
100	300	250 ⁺⁰ _{-.051}	5	350	18	18
4.72	15.75	13.780 ^{-.0005} _{-.0032}	0.19	17.74	0.75	1.02
120	400	350 ⁺⁰ _{-.070}	5	451	19	26
5.51	15.75	13.780 ^{-.0005} _{-.0032}	0.20	17.72	0.75	1.00
140	400	350 ⁺⁰ _{-.070}	5	450	19	25.4

OUTPUT SHAFT * - CONT.

MODEL	U	UY	V	VO	KEY	M
HI4043C	1.000 ⁺⁰ _{-.001}	1.10	N/A	0.40	1/4 x 1/4 x 1-1/2	3/8-24 x 0.91
HI4063C	1.375 ⁺⁰ _{-.001}	1.51	N/A	0.44	5/16 x 5/16 x 1-3/4	1/2-13 x 1.13
HI4663C	1.375 ⁺⁰ _{-.001}	1.51	2.76	0.44	5/16 x 5/16 x 1-3/4	1/2-13 x 1.13
HI4073C	1.625 ⁺⁰ _{-.001}	1.78	3.15	0.45	3/8 x 3/8 x 2-1/4	5/8-11 x 1.38
HI4083C	2.125 ⁺⁰ _{-.001}	2.34	3.94	0.64	1/2 x 1/2 x 2-5/8	3/4-10 x 1.61
HI4093C	2.375 ⁺⁰ _{-.001}	2.64	4.72	0.70	5/8 x 5/8 x 3-3/4	3/4-10 x 1.61
HI4103C	2.875 ⁺⁰ _{-.001}	3.19	5.51	0.67	3/4 x 3/4 x 4-1/8	3/4-10 x 1.61

DIMENSIONS SHOWN ARE FOR REFERENCE ONLY.

DOWNLOAD AVAILABLE CAD MODELS AT: WWW.HUBCITYINC.COM

INPUT SHAFT *

MODEL	FU	FZ	FV	FO	KEY	FM
HI4043C	0.625 ⁺⁰ _{-.001}	0.69	1.57	0.25	3/16 x 3/16 x 1-1/16	N/A
HI4063C	0.750 ⁺⁰ _{-.001}	0.82	1.57	0.25	3/16 x 3/16 x 1-1/16	N/A
HI4663C	0.750 ⁺⁰ _{-.001}	0.82	1.57	0.25	3/16 x 3/16 x 1-1/16	N/A
HI4073C	0.750 ⁺⁰ _{-.001}	0.82	1.57	0.25	3/16 x 3/16 x 1-1/16	N/A
HI4083C	0.875 ⁺⁰ _{-.001}	0.95	2.25	N/A	3/16 x 3/16 x 2	1/4-20 x 0.75
HI4093C	1.125 ⁺⁰ _{-.001}	1.23	2.63	N/A	1/4 x 1/4 x 2-3/8	3/8-16 x 1.00
HI4103C	1.375 ⁺⁰ _{-.001}	1.51	3.15	0.35	5/16 x 5/16 x 2-3/8	1/2-13 x 1.41

GEARCASE/INPUT

MODEL	C
HI4043C	12.19
HI4063C	14.78
HI4663C	15.82
HI4073C	16.70
HI4083C	19.66
HI4093C	25.79
HI4103C	31.46

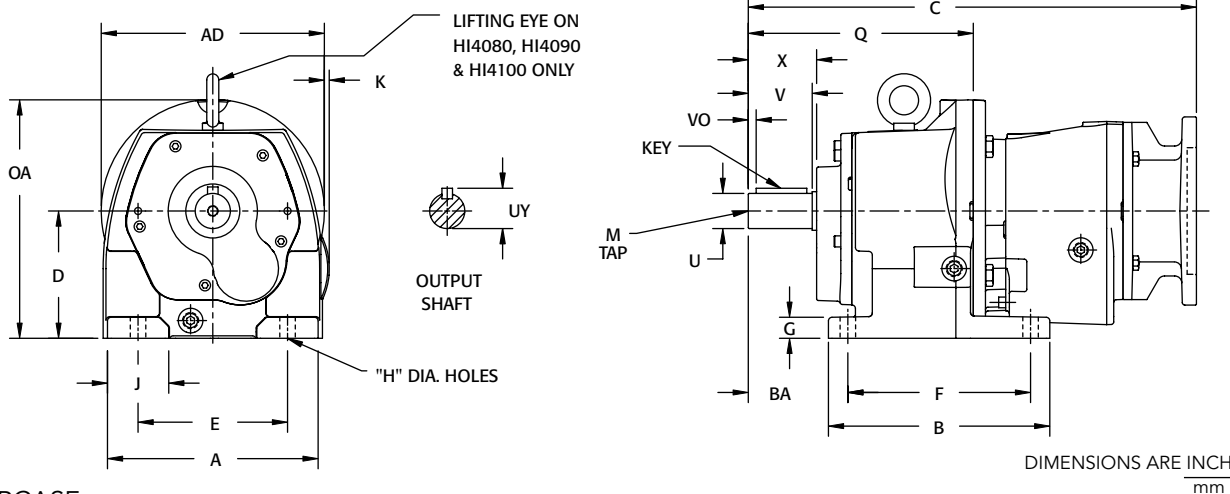
* SEE PAGES I-82 AND I-83 FOR ADDITIONAL SHAFT DIAMETERS AVAILABLE.
SEE PAGES I-58 TO I-61 FOR ADDITIONAL MODELS AVAILABLE.



FOR SAFETY AND TO COMPLY WITH LOCAL AND NATIONAL SAFETY CODES, THE PURCHASER OR USER MUST PROVIDE PROTECTIVE GUARDS OVER ALL SHAFT EXTENSIONS AND DEVICES MOUNTED THEREON.

Hub City Poweratio® 4000 Helical In-Line Drives

Quad Reduction



GEARCASE

MODEL**	A	AD	B	BA	D	E	F	G	H	J	K	OA	Q
HI4064E	7.48 190	7.88 200	7.87 200	3.94 100	4.53 ⁺⁰ _{-.02} 115 ⁺⁰ _{-.5}	5.32 135	6.50 165	0.75 19	0.53 14	2.18 55	N/A N/A	8.47 215	8.40 213
HI4664E	8.14 207	8.50 216	9.13 232	3.94 100	5.12 ⁺⁰ _{-.02} 130 ⁺⁰ _{-.5}	5.91 150	7.68 195	0.82 21	0.53 14	2.38 61	0.24 6	9.06 230	9.44 240
HI4074E	8.66 220	9.85 250	9.65 245	4.53 115	5.51 ⁺⁰ _{-.02} 140 ⁺⁰ _{-.5}	6.69 170	8.07 205	0.98 25	0.69 18	2.18 55	N/A N/A	10.47 266	10.79 274
HI4084E	11.34 288	11.88 302	12.59 320	5.51 140	7.09 ⁺⁰ _{-.02} 180 ⁺⁰ _{-.5}	8.47 215	10.24 260	1.11 28	0.75 19	2.92 74	N/A N/A	13.03 331	12.99 330
HI4094E	13.42 341	14.00 356	14.37 365	6.30 160	8.86 ⁺⁰ _{-.02} 225 ⁺⁰ _{-.5}	9.84 250	12.21 310	1.38 35	0.91 23	3.58 91	0.45 11	15.86 403	16.41 417
HI4104E	15.25 387	16.08 408	17.32 440	7.28 185	9.84 ⁺⁰ _{-.02} 250 ⁺⁰ _{-.5}	11.42 290	14.57 370	1.50 38	1.02 26	4.00 102	0.35 9	16.77 426	19.00 483

OUTPUT SHAFT *

MODEL	U	UY	V	VO	X	KEY	M
HI4064E	1.375 ⁺⁰ _{-.001}	1.51	N/A	0.44	2.83	5/16 x 5/16 x 1-3/4	1/2-13 x 1.13
HI4664E	1.375 ⁺⁰ _{-.001}	1.51	2.76	0.44	2.94	5/16 x 5/16 x 1-3/4	1/2-13 x 1.13
HI4074E	1.625 ⁺⁰ _{-.001}	1.78	3.15	0.45	3.27	3/8 x 3/8 x 2-1/4	5/8-11 x 1.38
HI4084E	2.125 ⁺⁰ _{-.001}	2.34	3.94	0.64	4.06	1/2 x 1/2 x 2-5/8	3/4-10 x 1.61
HI4094E	2.375 ⁺⁰ _{-.001}	2.64	4.72	0.70	4.95	5/8 x 5/8 x 3-3/4	3/4-10 x 1.61
HI4104E	2.875 ⁺⁰ _{-.001}	3.19	5.51	0.67	5.62	3/4 x 3/4 x 4-1/8	3/4-10 x 1.61

MOTOR COMPATIBILITY - NEMA

MODEL		NEMA		
		56C	143TC	182TC
HI4064E	C	16.33	16.33	-
HI4664E	C	17.37	17.37	-
HI4074E	C	19.13	19.13	-
HI4084E	C	23.99	23.99	-
HI4094E	C	30.27	30.27	30.93
HI4104E	C	32.87	32.87	33.52

* SEE PAGE I-82 FOR ADDITIONAL SHAFT DIAMETERS AVAILABLE.

** QUAD REDUCTION UNITS ARE MANUFACTURED TO ORDER. CONTACT HUB CITY FOR AVAILABILITY.

DIMENSIONS SHOWN ARE FOR REFERENCE ONLY.

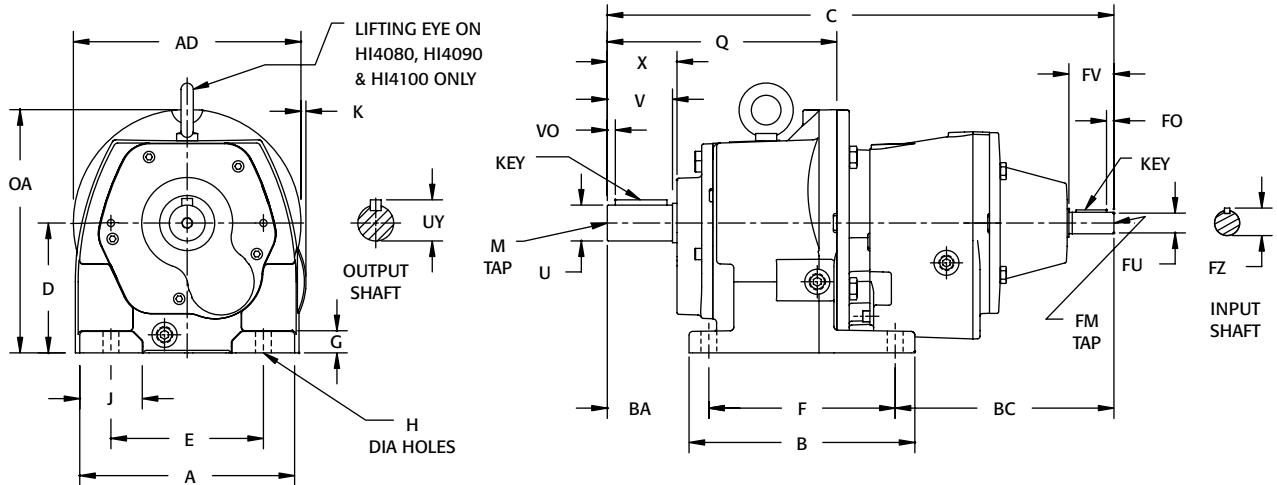
DOWNLOAD AVAILABLE CAD MODELS AT: WWW.HUBCITYINC.COM



FOR SAFETY AND TO COMPLY WITH LOCAL AND NATIONAL SAFETY CODES, THE PURCHASER OR USER MUST PROVIDE PROTECTIVE GUARDS OVER ALL SHAFT EXTENSIONS AND DEVICES MOUNTED THEREON.

Hub City Poweratio® 4000 Helical In-Line Drives

Quad Reduction



DIMENSIONS ARE INCH
mm

GEARCASE

MODEL**	A	AD	B	BA	D	E	F	G	H	J	K	OA	Q
HI4064A	7.48 190	7.88 200	7.87 200	3.94 100	4.53 ^{+0.02} _{-.02} 115 ^{+0.5} _{-.5}	5.32 135	6.50 165	0.75 19	0.53 14	2.18 55	N/A N/A	8.47 215	8.40 213
HI4664A	8.14 207	8.50 216	9.13 232	3.94 100	5.12 ^{+0.02} _{-.02} 130 ^{+0.5} _{-.5}	5.91 150	7.68 195	0.82 21	0.53 14	2.38 61	0.24 6	9.06 230	9.44 240
HI4074A	8.66 220	9.85 250	9.65 245	4.53 115	5.51 ^{+0.02} _{-.02} 140 ^{+0.5} _{-.5}	6.69 170	8.07 205	0.98 25	0.69 18	2.18 55	N/A N/A	10.47 266	10.79 274
HI4084A	11.34 288	11.88 302	12.59 320	5.51 140	7.09 ^{+0.02} _{-.02} 180 ^{+0.5} _{-.5}	8.47 215	10.24 260	1.11 28	0.75 19	2.92 74	N/A N/A	13.03 331	12.99 330
HI4094A	13.42 341	14.00 356	14.37 365	6.30 160	8.86 ^{+0.02} _{-.02} 225 ^{+0.5} _{-.5}	9.84 250	12.21 310	1.38 35	0.91 23	3.58 91	0.45 11	15.86 403	16.41 417
HI4104A	15.25 387	16.08 408	17.32 440	7.28 185	9.84 ^{+0.02} _{-.02} 250 ^{+0.5} _{-.5}	11.42 290	14.57 370	1.50 38	1.02 26	4.00 102	0.35 9	16.77 426	19.00 483

OUTPUT SHAFT *

MODEL	U	UY	V	VO	X	KEY	M
HI4064A	1.375 ⁺⁰ _{-.001}	1.51	N/A	0.44	2.83	5/16 x 5/16 x 1-3/4	1/2-13 x 1.13
HI4664A	1.375 ⁺⁰ _{-.001}	1.51	2.76	0.44	2.94	5/16 x 5/16 x 1-3/4	1/2-13 x 1.13
HI4074A	1.625 ⁺⁰ _{-.001}	1.78	3.15	0.45	3.27	3/8 x 3/8 x 2-1/4	5/8-11 x 1.38
HI4084A	2.125 ⁺⁰ _{-.001}	2.34	3.94	0.64	4.06	1/2 x 1/2 x 2-5/8	3/4-10 x 1.61
HI4094A	2.375 ⁺⁰ _{-.001}	2.64	4.72	0.70	4.95	5/8 x 5/8 x 3-3/4	3/4-10 x 1.61
HI4104A	2.875 ⁺⁰ _{-.001}	3.19	5.51	0.67	5.62	3/4 x 3/4 x 4-1/8	3/4-10 x 1.61

INPUT SHAFT *

MODEL	FU	FZ	FV	FO	KEY	FM
HI4064A	0.750 ⁺⁰ _{-.001}	0.82	1.57	0.25	3/16 x 3/16 x 1-1/16	N/A
HI4664A	0.750 ⁺⁰ _{-.001}	0.82	1.57	0.25	3/16 x 3/16 x 1-1/16	N/A
HI4074A	0.875 ⁺⁰ _{-.001}	0.95	2.25	N/A	3/16 x 3/16 x 2	1/4-20 x 0.75
HI4084A	1.125 ⁺⁰ _{-.001}	1.23	2.63	N/A	1/4 x 1/4 x 2-1/2	3/8-16 x 1.00
HI4094A	1.375 ⁺⁰ _{-.001}	1.51	3.15	0.35	5/16 x 5/16 x 2-3/8	1/2-13 x 1.41
HI4104A	1.375 ⁺⁰ _{-.001}	1.51	3.15	0.35	5/16 x 5/16 x 2-3/8	1/2-13 x 1.41

GEARCASE/INPUT

MODEL	BC	C
HI4064A	7.62	18.06
HI4664A	7.48	19.10
HI4074A	9.32	21.92
HI4084A	11.73	27.48
HI4094A	15.54	34.05
HI4104A	14.79	36.64

* SEE PAGES I-82 AND I-83 FOR ADDITIONAL SHAFT DIAMETERS AVAILABLE.

** QUAD REDUCTION UNITS ARE MANUFACTURED TO ORDER. CONTACT HUB CITY FOR AVAILABILITY.

DIMENSIONS SHOWN ARE FOR REFERENCE ONLY.

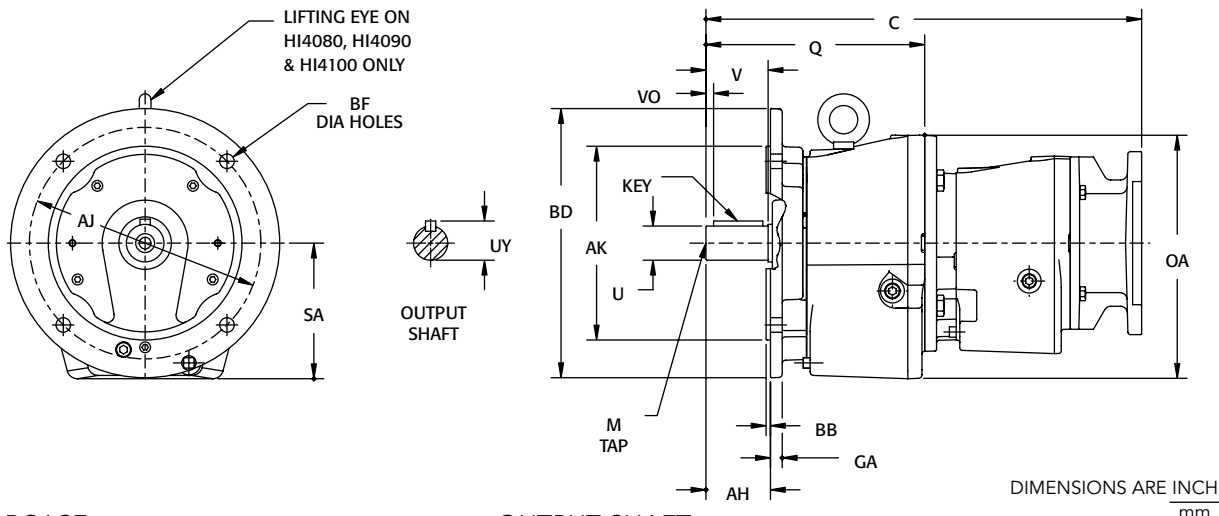
DOWNLOAD AVAILABLE CAD MODELS AT: WWW.HUBCITYINC.COM



FOR SAFETY AND TO COMPLY WITH LOCAL AND NATIONAL SAFETY CODES, THE PURCHASER OR USER MUST PROVIDE PROTECTIVE GUARDS OVER ALL SHAFT EXTENSIONS AND DEVICES MOUNTED THEREON.

Hub City Poweratio® 4000 Helical In-Line Drives

Quad Reduction



GEARCASE

MODEL**	OA	Q	SA
HI4064G	8.88	8.40	4.94
	226	213	126
HI4664G	9.71	9.44	5.74
	247	240	146
HI4074G	10.93	10.79	5.94
	278	274	151
HI4084G	13.05	12.99	7.08
	331	330	180
HI4094G	16.42	16.41	9.45
	417	417	240
HI4104G	17.98	19.00	11.02
	457	483	280

OUTPUT SHAFT

AH	AJ	AK	BB	BD	BF	GA
2.76	8.46	7.087 ^{-0.004} _{-0.029}	0.16	9.84	0.53	0.43
70	215	180 ⁺⁰ _{-0.64}	4	250	14	11
2.76	8.46	7.087 ^{-0.004} _{-0.029}	0.16	9.84	0.53	0.43
70	215	180 ⁺⁰ _{-0.64}	4	250	14	11
3.15	10.43	9.055 ^{+0.001} _{-0.027}	0.16	11.81	0.53	0.59
80	265	230 ⁺⁰ _{-0.72}	4	300	14	15
3.93	11.81	9.843 ^{-0.005} _{-0.025}	0.20	13.78	0.69	0.70
100	300	250 ⁺⁰ _{-0.51}	5	350	18	18
4.72	15.75	13.780 ^{-0.005} _{-0.032}	0.19	17.74	0.75	1.02
120	400	350 ⁺⁰ _{-0.70}	5	451	19	26
5.51	15.75	13.780 ^{-0.005} _{-0.032}	0.20	17.72	0.75	1.00
140	400	350 ⁺⁰ _{-0.70}	5	450	19	25.4

OUTPUT SHAFT *

MODEL	U	UY	V	VO	X	KEY	M
HI4064G	1.375 ⁺⁰ _{-0.001}	1.51	N/A	0.44	2.83	5/16 x 5/16 x 1-3/4	1/2-13 x 1.13
HI4664G	1.375 ⁺⁰ _{-0.001}	1.51	2.76	0.44	2.94	5/16 x 5/16 x 1-3/4	1/2-13 x 1.13
HI4074G	1.625 ⁺⁰ _{-0.001}	1.78	3.15	0.45	3.27	3/8 x 3/8 x 2-1/4	5/8-11 x 1.38
HI4084G	2.125 ⁺⁰ _{-0.001}	2.34	3.94	0.64	4.06	1/2 x 1/2 x 2-5/8	3/4-10 x 1.61
HI4094G	2.375 ⁺⁰ _{-0.001}	2.64	4.72	0.70	4.95	5/8 x 5/8 x 3-3/4	3/4-10 x 1.61
HI4104G	2.875 ⁺⁰ _{-0.001}	3.19	5.51	0.67	5.62	3/4 x 3/4 x 4-1/8	3/4-10 x 1.61

MOTOR COMPATIBILITY - NEMA

MODEL	C	NEMA		
		56C	143TC 145TC	182TC 184TC
HI4064G	C	16.33	16.33	-
HI4664G	C	17.37	17.37	-
HI4074G	C	19.13	19.13	-
HI4084G	C	23.99	23.99	-
HI4094G	C	**	**	30.93
HI4104G	C	**	**	33.52

* SEE PAGES I-82 AND I-83 FOR ADDITIONAL SHAFT DIAMETERS AVAILABLE.

** QUAD REDUCTION UNITS ARE MANUFACTURED TO ORDER. CONTACT HUB CITY FOR AVAILABILITY.

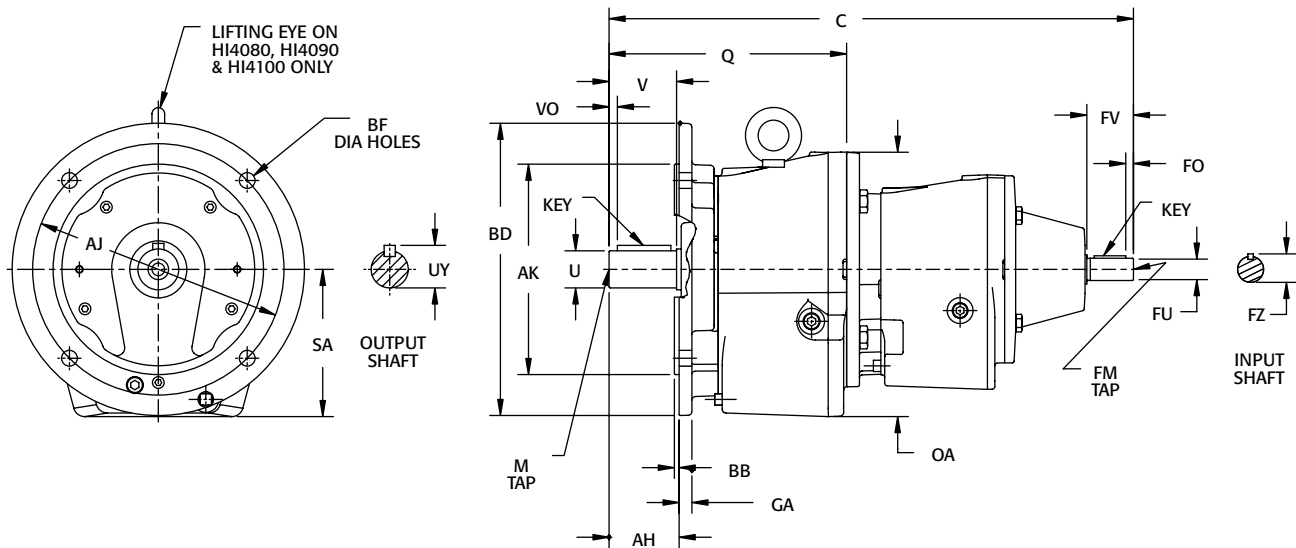
DIMENSIONS SHOWN ARE FOR REFERENCE ONLY.
 DOWNLOAD AVAILABLE CAD MODELS AT: WWW.HUBCITYINC.COM



FOR SAFETY AND TO COMPLY WITH LOCAL AND NATIONAL SAFETY CODES, THE PURCHASER OR USER MUST PROVIDE PROTECTIVE GUARDS OVER ALL SHAFT EXTENSIONS AND DEVICES MOUNTED THEREON.

Hub City Poweratio® 4000 Helical In-Line Drives

Quad Reduction



GEARCASE

MODEL**	OA	Q	SA
HI4064C	8.88 226	8.40 213	4.94 126
HI4664C	9.71 247	9.44 240	5.74 146
HI4074C	10.93 278	10.79 274	5.94 151
HI4084C	13.05 331	12.99 330	7.08 180
HI4094C	16.42 417	16.41 417	9.45 240
HI4104C	17.98 457	19.00 483	11.02 280

OUTPUT SHAFT

AH	AJ	AK	BB	BD	BF	GA
2.76 70	8.46 215	7.087 ^{-.0004} _{-.0029} 180 ⁺⁰ _{-.064}	0.16 4	9.84 250	0.53 14	0.43 11
2.76 70	8.46 215	7.087 ^{-.0004} _{-.0029} 180 ⁺⁰ _{-.064}	0.16 4	9.84 250	0.53 14	0.43 11
3.15 80	10.43 265	9.055 ^{-.0001} _{-.0027} 230 ⁺⁰ _{-.072}	0.16 4	11.81 300	0.53 14	0.59 15
3.93 100	11.81 300	9.843 ^{-.0005} _{-.0025} 250 ⁺⁰ _{-.051}	0.20 5	13.78 350	0.69 18	0.70 18
4.72 120	15.75 400	13.780 ^{-.0005} _{-.0032} 350 ⁺⁰ _{-.070}	0.19 5	17.74 451	0.75 19	1.02 26
5.51 140	15.75 400	13.780 ^{-.0005} _{-.0032} 350 ⁺⁰ _{-.070}	0.20 5	17.72 450	0.75 19	1.00 25.4

OUTPUT SHAFT * - CONT.

MODEL	U	UY	V	VO	KEY	M
HI4064C	1.375 ⁺⁰ _{-.001}	1.51	N/A	0.44	5/16 x 5/16 x 1-3/4	1/2-13 x 1.13
HI4664C	1.375 ⁺⁰ _{-.001}	1.51	2.76	0.44	5/16 x 5/16 x 1-3/4	1/2-13 x 1.13
HI4074C	1.625 ⁺⁰ _{-.001}	1.78	3.15	0.45	3/8 x 3/8 x 2-1/4	5/8-11 x 1.38
HI4084C	2.125 ⁺⁰ _{-.001}	2.34	3.94	0.64	1/2 x 1/2 x 2-5/8	3/4-10 x 1.61
HI4094C	2.375 ⁺⁰ _{-.001}	2.64	4.72	0.70	5/8 x 5/8 x 3-3/4	3/4-10 x 1.61
HI4104C	2.875 ⁺⁰ _{-.001}	3.19	5.51	0.67	3/4 x 3/4 x 4-1/8	3/4-10 x 1.61

INPUT SHAFT *

MODEL	FU	FZ	FV	FO	KEY	FM
HI4064C	0.750 ⁺⁰ _{-.001}	0.82	1.57	0.25	3/16 x 3/16 x 1-1/16	N/A
HI4664C	0.750 ⁺⁰ _{-.001}	0.82	1.57	0.25	3/16 x 3/16 x 1-1/16	N/A
HI4074C	0.875 ⁺⁰ _{-.001}	0.95	2.25	N/A	3/16 x 3/16 x 2	1/4-20 x 0.75
HI4084C	1.125 ⁺⁰ _{-.001}	1.23	2.63	N/A	1/4 x 1/4 x 2-1/2	3/8-16 x 1.00
HI4094C	1.375 ⁺⁰ _{-.001}	1.51	3.15	0.35	5/16 x 5/16 x 2-3/8	1/2-13 x 1.41
HI4104C	1.375 ⁺⁰ _{-.001}	1.51	3.15	0.35	5/16 x 5/16 x 2-3/8	1/2-13 x 1.41

GEARCASE/INPUT

MODEL	C
HI4064C	18.06
HI4664C	19.10
HI4074C	21.92
HI4084C	27.48
HI4094C	34.05
HI4104C	36.64

* SEE PAGES I-82 AND I-83 FOR ADDITIONAL SHAFT DIAMETERS AVAILABLE.

** QUAD REDUCTION UNITS ARE MANUFACTURED TO ORDER. CONTACT HUB CITY FOR AVAILABILITY.

DIMENSIONS SHOWN ARE FOR REFERENCE ONLY.

DOWNLOAD AVAILABLE CAD MODELS AT: WWW.HUBCITYINC.COM



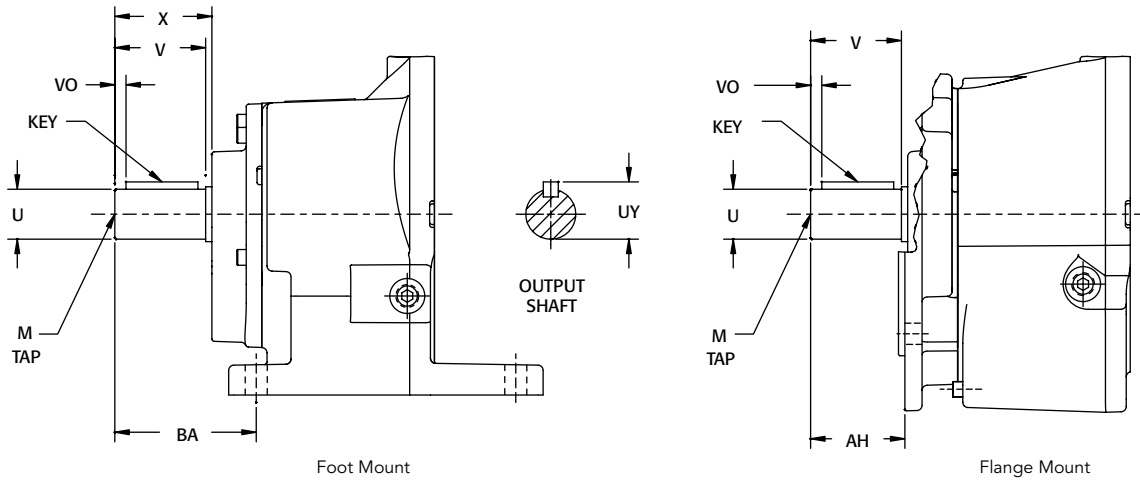
FOR SAFETY AND TO COMPLY WITH LOCAL AND NATIONAL SAFETY CODES, THE PURCHASER OR USER MUST PROVIDE PROTECTIVE GUARDS OVER ALL SHAFT EXTENSIONS AND DEVICES MOUNTED THEREON.

EMAIL: hubsales@regalbeloit.com • www.hubcityinc.com



Hub City Poweratio® 4000 Helical In-Line Drives

Optional Output Shafts



INCH SHAFTS

DIMENSIONS ARE INCH

SERIES	U	UY	V	VO	X	BA	AH	KEY	M
HI4040	-	-	-	-	-	-	-	-	-
HI4060	1.250 ⁺⁰ _{-.001}	1.36	2.36	0.41	2.43	3.54	2.36	1/4 x 1/4 x 1-11/16	3/8-24 x 0.88
HI4660	-	-	-	-	-	-	-	-	-
HI4070	-	-	-	-	-	-	-	-	-
HI4080	-	-	-	-	-	-	-	-	-
HI4090	-	-	-	-	-	-	-	-	-
HI4100	-	-	-	-	-	-	-	-	-

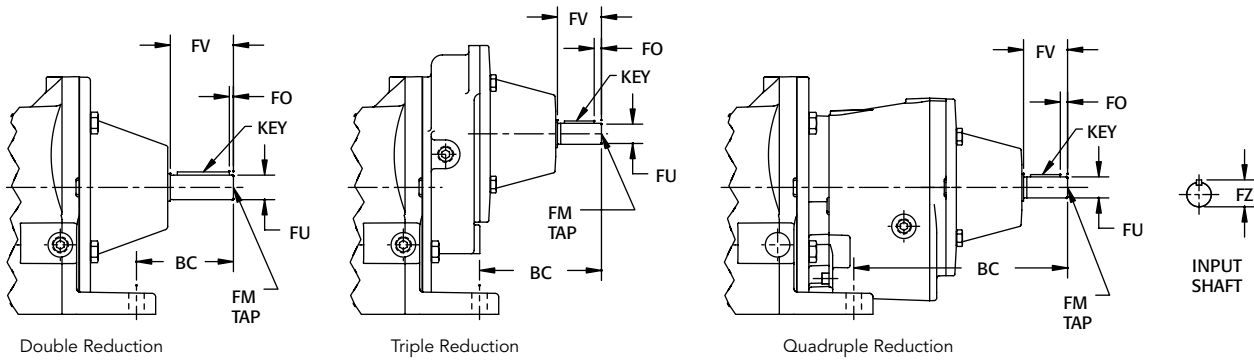
METRIC SHAFTS

DIMENSIONS ARE mm

SERIES	U	UY	V	VO	X	BA	AH	KEY	M
HI4040	24.008	27	52	9	54	75	50	8 x 7 x 28	M8x1.25 x 20
	23.996								
	25.015								
HI4060	25.002	28	52	8	54	75	50	8 x 7 x 28	M10x1.5 x 23
	28.009								
	27.996								
HI4060	30.015	33	60	9	62	90	60	8 x 7 x 40	M10x1.5 x 24
	30.002								
	35.018								
HI4660	35.002	38	N/A	8	72	100	70	10 x 8 x 56	M12x1.75 x 28
	35.018								
	35.002								
HI4070	38.018	41	80	9	83	115	80	10 x 8 x 56	M12x1.75 x 30
	38.002								
	40.018								
HI4070	40.002	43	80	11	83	115	80	12 x 8 x 50	M16x2 x 38
	48.018								
	48.002								
HI4080	51.5	51.5	110	12	113	150	110	14 x 9 x 100	M16x2 x 36
	48.002								
	50.018								
HI4080	50.002	53.5	100	17	103	140	100	14 x 9 x 80	M16x2 x 36
	60.030								
	60.011								
HI4090	64	64	120	19	126	160	120	18 x 11 x 60	M20x2.5 x 43
	60.011								
	70.030								
HI4100	74.5	74.5	140	18	143	185	140	20 x 12 x 100	M20x2.5 x 42
	70.011								
	70.011								

Hub City Poweratio® 4000 Helical In-Line Drives

Optional Input Shafts



INCH SHAFTS

DIMENSIONS ARE INCH

	SERIES	FU	FZ	FV	FO	BC	KEY	FM
DOUBLE REDUCTION	HI4042	0.625 ⁺⁰ _{-.001}	0.69	1.88	0 - 0.60	3.87	3/16 x 3/16 x 1-1/16	N/A
	HI4062	0.750 ⁺⁰ _{-.001}	0.82	1.57	0.25	2.78	3/16 x 3/16 x 1-1/16	N/A
	HI4662	-	-	-	-	-	-	-
	HI4072	0.875 ⁺⁰ _{-.001}	0.95	1.97	0.28	4.39	3/16 X 3/16 X 1-1/4	N/A
	HI4082	1.125 ⁺⁰ _{-.001}	1.23	2.36	0.32	5.04	1/4 x 1/4 x 1-11/16	3/8-16 x 1.00
	HI4092	-	-	-	-	-	-	-
TRIPLE REDUCTION	HI4102	-	-	-	-	-	-	-
	HI4043	-	-	-	-	-	-	-
	HI4063	0.625 ⁺⁰ _{-.001}	0.69	1.88	0 - 0.60	4.66	3/16 x 3/16 x 1-1/16	N/A
	HI4663	0.625 ⁺⁰ _{-.001}	0.69	1.88	0 - 0.60	4.52	3/16 x 3/16 x 1-1/16	N/A
	HI4073	0.625 ⁺⁰ _{-.001}	0.69	1.88	0 - 0.60	4.41	3/16 x 3/16 x 1-1/16	N/A
	HI4083	0.750 ⁺⁰ _{-.001}	0.82	1.57	0.25	3.24	3/16 x 3/16 x 1-1/16	N/A
QUADRUPLE REDUCTION	HI4093	0.875 ⁺⁰ _{-.001}	0.95	1.97	0.28	6.63	3/16 X 3/16 X 1-1/4	N/A
	HI4103	1.125 ⁺⁰ _{-.001}	1.23	2.36	0.32	8.83	1/4 x 1/4 x 1-11/16	3/8-16 x 1.00
	HI4064	0.625 ⁺⁰ _{-.001}	0.69	1.88	0 - 0.60	7.93	3/16 x 3/16 x 1-1/16	N/A
	HI4664	0.625 ⁺⁰ _{-.001}	0.69	1.88	0 - 0.60	7.79	3/16 x 3/16 x 1-1/16	N/A
	HI4074	0.750 ⁺⁰ _{-.001}	0.82	1.57	0.25	8.64	3/16 x 3/16 x 1-1/16	N/A
	HI4084	0.875 ⁺⁰ _{-.001}	0.95	1.97	0.28	11.08	3/16 X 3/16 X 1-1/4	N/A
QUADRUPLE REDUCTION	HI4094	1.125 ⁺⁰ _{-.001}	1.23	2.36	0.32	14.75	1/4 x 1/4 x 1-11/16	3/8-16 x 1.00
	HI4104	1.125 ⁺⁰ _{-.001}	1.23	2.36	0.32	14.00	1/4 x 1/4 x 1-11/16	3/8-16 x 1.00

METRIC SHAFTS

DIMENSIONS ARE mm

	SERIES	FU	FZ	FV	FO	BC	KEY	FM
DOUBLE REDUCTION	HI4042	16 ^{+0.08} _{-.003}	18	40	7	90	5 x 5 x 20	M5x0.8 x 13
	HI4062	19 ^{+0.14} _{-.002}	21.5	40	7	90	6 x 6 x 25	M6x1.0 x 17
	HI4662	24 ^{+0.09} _{-.004}	27	50	9	81	8 x 7 x 30	M8x1.25 x 21
	HI4072	24 ^{+0.09} _{-.004}	27	50	9	77	8 x 7 x 30	M8x1.25 x 21
	HI4082	28 ^{+0.09} _{-.004}	31	60	7	121	8 x 7 x 40	M10x1.5 x 24
	HI4092	38 ^{+0.18} _{-.002}	41	80	5	148	10 x 8 x 70	M12x1.75 x 28
TRIPLE REDUCTION	HI4092	48 ^{+0.18} _{-.002}	51.5	110	5	188	14 x 9 x 100	M16x2 x 38
	HI4102	48 ^{+0.18} _{-.002}	51.5	110	5	169	14 x 9 x 100	M16x2 x 38
	HI4043	14 ^{+0.08} _{-.003}	16	30	5	95	5 x 5 x 20	M5x0.8 x 13
	HI4063	16 ^{+0.08} _{-.003}	18	40	7	105	5 x 5 x 20	M5x0.8 x 13
	HI4063	16 ^{+0.08} _{-.003}	18	40	7	110	5 x 5 x 20	M5x0.8 x 13
	HI4663	19 ^{+0.14} _{-.002}	21.5	40	7	110	6 x 6 x 25	M6x1.0 x 17
QUADRUPLE REDUCTION	HI4663	16 ^{+0.08} _{-.003}	18	40	7	107	5 x 5 x 20	M5x0.8 x 13
	HI4073	19 ^{+0.14} _{-.002}	21.5	40	7	107	6 x 6 x 25	M6x1.0 x 17
	HI4073	16 ^{+0.08} _{-.003}	18	40	7	104	5 x 5 x 20	M5x0.8 x 13
	HI4073	19 ^{+0.14} _{-.002}	21.5	40	7	104	6 x 6 x 25	M6x1.0 x 17
	HI4083	24 ^{+0.09} _{-.004}	27	50	9	92	8 x 7 x 30	M8x1.25 x 21
	HI4093	28 ^{+0.09} _{-.004}	31	60	7	178	8 x 7 x 40	M10x1.5 x 24
QUADRUPLE REDUCTION	HI4103	38 ^{+0.18} _{-.002}	41	80	5	244	10 x 8 x 70	M12x1.75 x 28
	HI4064	16 ^{+0.08} _{-.003}	18	40	7	194	5 x 5 x 20	M5x0.8 x 13
	HI4664	19 ^{+0.14} _{-.002}	21.5	40	7	194	6 x 6 x 25	M6x1.0 x 17
	HI4664	16 ^{+0.08} _{-.003}	18	40	7	190	5 x 5 x 20	M5x0.8 x 13
	HI4074	19 ^{+0.14} _{-.002}	21.5	40	7	190	6 x 6 x 25	M6x1.0 x 17
	HI4074	24 ^{+0.09} _{-.004}	27	50	9	230	8 x 7 x 30	M8x1.25 x 21
	HI4084	28 ^{+0.09} _{-.004}	31	60	7	291	8 x 7 x 40	M10x1.5 x 24
	HI4094	38 ^{+0.18} _{-.002}	41	80	5	395	10 x 8 x 70	M12x1.75 x 28
QUADRUPLE REDUCTION	HI4104	38 ^{+0.18} _{-.002}	41	80	5	376	10 x 8 x 70	M12x1.75 x 28



FOR SAFETY AND TO COMPLY WITH LOCAL AND NATIONAL SAFETY CODES, THE PURCHASER OR USER MUST PROVIDE PROTECTIVE GUARDS OVER ALL SHAFT EXTENSIONS AND DEVICES MOUNTED THEREON.

EMAIL: hubsales@regalbeloit.com • www.hubcityinc.com



Hub City Poweratio® 4000 & Spartan™ Helical In-Line Drives

Shipping Weights

**Reducer Weights - Foot Mounted (lbs.)

UNIT SIZE	SOLID INPUT SHAFT	C-FRAME QUILL INPUT							
		56C	143TC	182TC	213TC	254TC	284TC	324TC	364TC
ALHI4032	13	13	13	-	-	-	-	-	-
ALHI4033	14	14	-	-	-	-	-	-	-
ALHI4042	20	20	20	-	-	-	-	-	-
ALHI4043	23	23	-	-	-	-	-	-	-
ALHI4052	26	26	26	28	-	-	-	-	-
ALHI4053	27	27	27	-	-	-	-	-	-
ALHI4062	33	33	33	35	-	-	-	-	-
ALHI4063	35	35	35	-	-	-	-	-	-
HI4042	27	28	28	33	-	-	-	-	-
HI4043	33	34	-	-	-	-	-	-	-
HI4062	46	46	46	61	61	-	-	-	-
HI4063	59	59	59	-	-	-	-	-	-
HI4064	59	61	61	66	-	-	-	-	-
HI4662	70	70	70	85	85	-	-	-	-
HI4663	85	85	85	-	-	-	-	-	-
HI4664	87	88	88	-	-	-	-	-	-
HI4072	92	88	88	103	103	103	-	-	-
HI4073	111	107	107	-	-	-	-	-	-
HI4074	118	118/118	124	-	-	-	-	-	-
HI4082	142	-	-	166	166	166	174	-	-
HI4083	169	148	148	168	-	-	-	-	-
HI4084	218	-	218	234	234	-	-	-	-
HI4092	241	-	-	265	265	265	280	-	-
HI4093	281	283	283	325	335	335	350	-	-
HI4094	292	-	-	347	347	-	-	-	-
HI4102	380	-	-	380	380	425	425	455	470
HI4103	410	-	-	410	410	455	455	-	-
HI4104	445	-	-	445	445	480	-	-	-

**Reducer Weights - Flange Mounted (lbs.)

UNIT SIZE	SOLID INPUT SHAFT	C-FRAME QUILL INPUT							
		56C	143TC	182TC	213TC	254TC	284TC	324TC	364TC
ALHI4032	12	12	12	-	-	-	-	-	-
ALHI4033	13	13	-	-	-	-	-	-	-
ALHI4042	20	20	20	-	-	-	-	-	-
ALHI4043	23	23	-	-	-	-	-	-	-
ALHI4052	26	26	26	28	-	-	-	-	-
ALHI4053	27	27	27	-	-	-	-	-	-
ALHI4062	33	33	33	35	-	-	-	-	-
ALHI4063	33	33	33	-	-	-	-	-	-
HI4042	29	30	30	35	-	-	-	-	-
HI4043	35	36	-	-	-	-	-	-	-
HI4062	51	51	51	66	66	-	-	-	-
HI4063	64	64	64	-	-	-	-	-	-
HI4064	64	66	66	71	-	-	-	-	-
HI4662	80	80	80	95	95	-	-	-	-
HI4663	95	95	95	-	-	-	-	-	-
HI4664	97	98	98	-	-	-	-	-	-
HI4072	105	101	101	116	116	116	-	-	-
HI4073	124	120	120	-	-	-	-	-	-
HI4074	131	131	131	137	-	-	-	-	-
HI4082	167	-	-	191	191	191	199	-	-
HI4083	194	173	173	193	-	-	-	-	-
HI4084	243	-	243	259	259	-	-	-	-
HI4092	281	-	-	305	305	305	320	-	-
HI4093	316	318	318	360	370	370	385	-	-
HI4094	327	-	-	382	382	-	-	-	-
HI4102	398	-	-	398	398	443	443	473	488
HI4103	428	-	-	428	428	473	473	-	-
HI4104	463	-	-	463	463	498	-	-	-

** FOR MOTORIZED REDUCER WEIGHTS, ADD MOTOR WEIGHTS FROM ELECTRIC MOTOR CHARTS IN SECTION E TO REDUCER WEIGHTS SHOWN ON THIS PAGE.

**FOR INTEGRAL GEARMOTOR WEIGHTS, FOLLOW INSTRUCTIONS ABOVE (WITH SIMILAR HP C-FACE MOTOR), AND MULTIPLY BY .93.