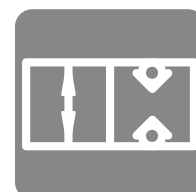
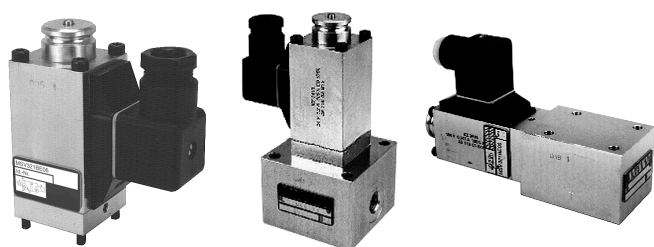


3/2-way directional seated valve type MSV, RSV (size 6)

operating pressure p_{\max} 350 bar
volume flow V_{\max} 10 L/min



Product characteristics

Directional seated valves belong to the group of directional valves. They are technically tight when closed. Individual valves can be designed as cartridge valves or for manifold mounting.

The directional seated valves type MSV and RSV are designed as directly controlled or hydraulically piloted manifold mounting valves, depending on the size. 2/2- and 3/2-way directional seated valves are available. Due to the design as ball seat valves, they offer a high switching reliability, even after long periods under high pressure.

The type RSV additionally contains a check valve.

Features and benefits:

- high switching reliability
- variants for large volume flows available
- partial flow on both sides
- various emergency actuations selectable

Intended applications:

- machine tools
- agricultural machines
- press brakes

Table of Contents

Technical data.....	2
Characteristic lines.....	3
Dimensions and connections.....	4
Order information.....	6
Contact details.....	8

Technical data

General

connection size	BE06	cartridge type	
	RA06	4 screws M6	
	PC06	manifold mounting (NG06), ISO 4401-03-02-0-05	
weight		MSV	RSV
	BE06	0.7 kg	--
	RA06	1.5 kg	1.6 kg
	PC06	1.5 kg	1.6 kg
ambient temperature	-30 to +50 °C		
mounting position	arbitrary		

Hydraulic parameters

Hydraulic fluid: mineral oil according to DIN 51524, other media on request

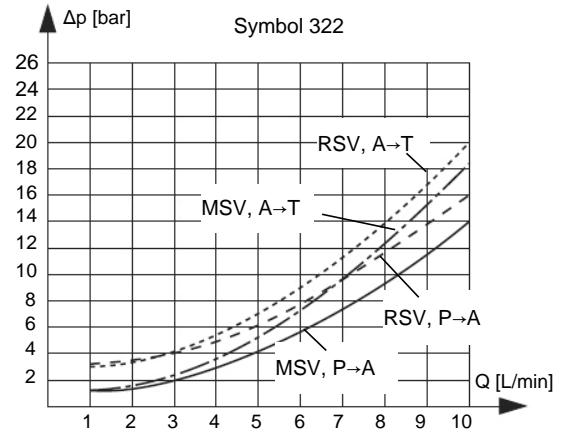
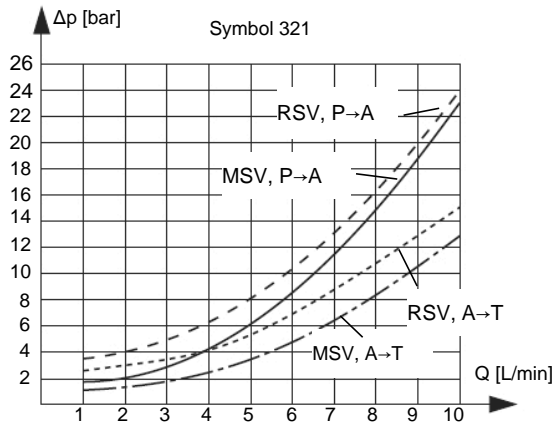
max. operating pressure	P, A: 350 bar; T:160 bar (max. 80 % of P)
temperature of hydraulic fluid	-25 to +70 °C
viscosity	10-600 mm ² /s
permissible degree of pollution	max. class 22/19/16 according ISO 4406
volume flow (power limit)	max. 10 L/min
filter recommendation	filter retention rate $\beta_{25} > 75$

Actuation

actuation	electromagnetic with/without manual override
voltage	DC ± 10 % AC ± 10 % with rectifier socket
power consumption	30 W; P ₂₀ (=power at 20 °C)
duty cycle	continuous operation
protection class according DIN 40050	IP65 with plug
connection type	connector DIN43650-AF2-PG9

Characteristic lines

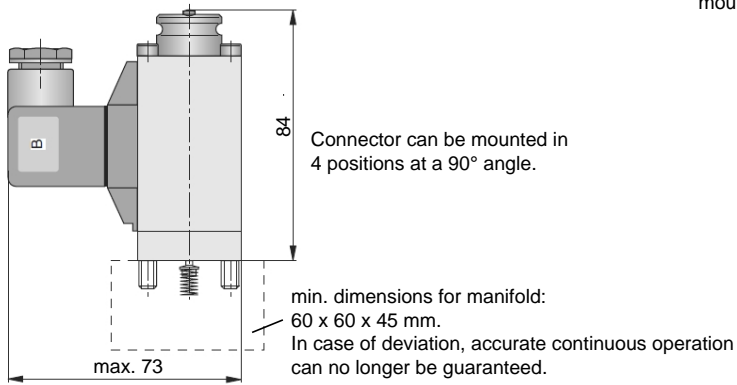
measured at +50 °C temperature of hydraulic fluid, viscosity 35 mm²/s, tolerance ±5 %



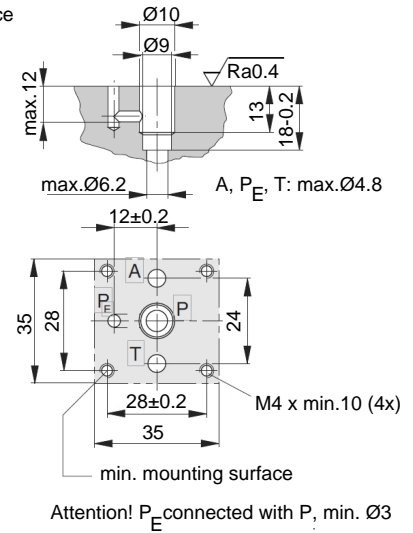
Dimensions and connections

Dimensions are given in mm.

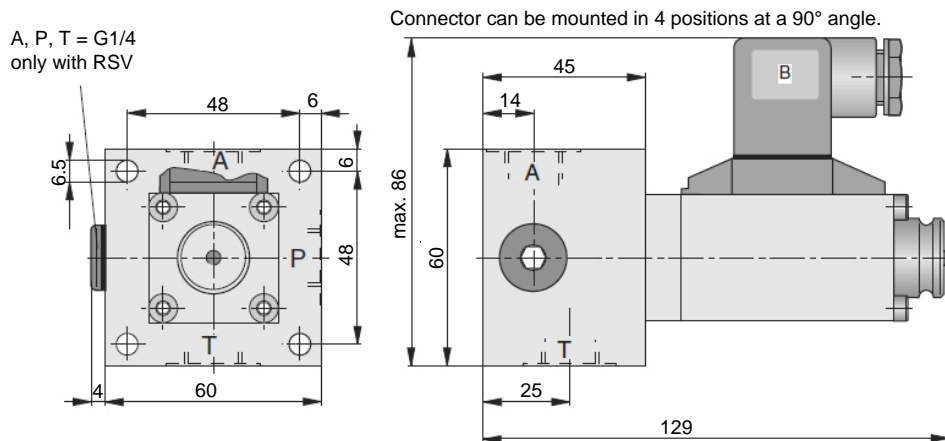
MSV32_BE06



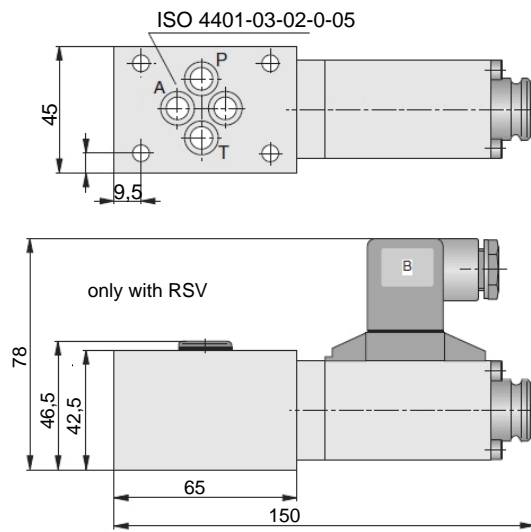
mounting space



SV32_RA06

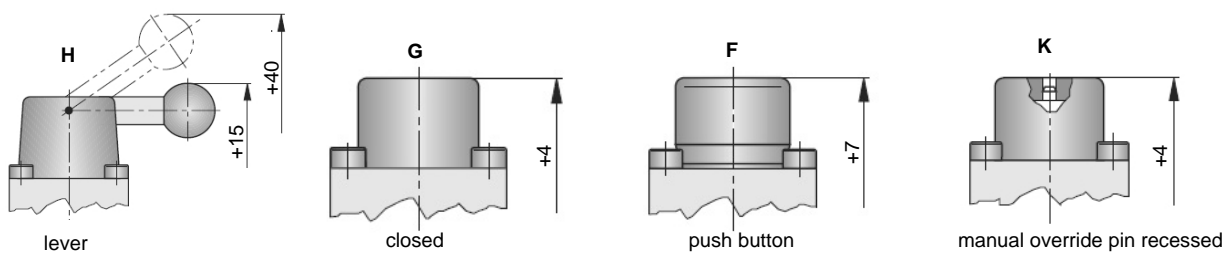


SV32_PC06



Connector can be mounted in 4 positions at a 90° angle.

Manual override



Order information

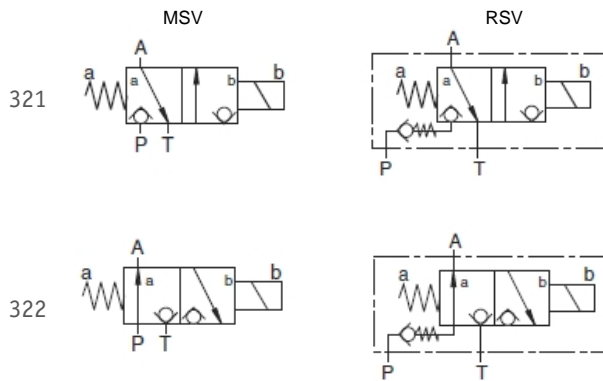
Type code

MSV	321	BE06	P	H
				manual override
				electrical data
				design
				switching symbols
				type

type

MSV	directional seated valve
RSV*	directional seated valve with check valve
	*only with design RA and PC

switching symbols



design

BE06	cartridge type
RA06	threaded connection G1/4
PC06	manifold mounting according ISO 4401-03-02-0-05

electrical data

N	12 VDC
P	24 VDC
V	115 VAC 50/60 Hz with rectifier socket
W	230 VAC 50/60 Hz with rectifier socket

Manual override

—	basic version
H	lever
G	closed
F	push button
K	manual override pin recessed

Contact details

Headquarters

HAWE Hydraulik SE
Einsteinring 17
85605 Aschheim
Germany

e-mail: info@hawe.de
www.hawe.com

Phone: +49 (0) 89 / 37 91 00 - 1000

Contact to the Customer Service

Phone (Head office)	+ 49 (0) 89 / 37 91 00 - 1000
Phone (Spare parts)	+ 49 (0) 89 / 37 91 00 - 1302
Phone (Customer Service)	+ 49 (0) 89 / 37 91 00 - 1491
Fax (Customer Service)	+ 49 (0) 89 / 37 91 00 - 91491
e-mail	spareparts@hawe.de service@hawe.de