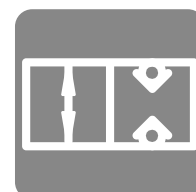
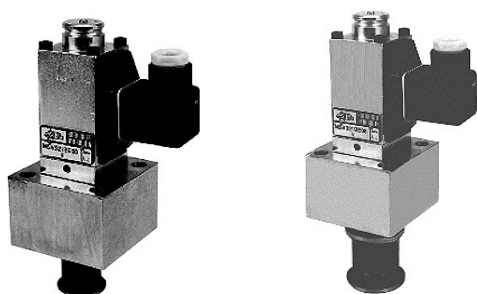


# 2/2-way directional seated valve type MSV (size 16 & 32)

operating pressure  $p_{\max}$  350 bar  
volume flow  $V_{\max}$  320 L/min



## Product characteristics

Directional seated valves belong to the group of directional valves. They are technically tight when closed. Individual valves can be designed as cartridge valves or for manifold mounting.

The directional seated valves type MSV and RSV are designed as directly controlled or hydraulically piloted manifold mounting valves, depending on the size. 2/2- and 3/2-way directional seated valves are available. Due to the design as ball seat valves, they offer a high switching reliability, even after long periods under high pressure.

The type RSV additionally contains a check valve.

### Features and benefits:

- high switching reliability
- variants for large volume flows available
- partial flow on both sides
- various emergency actuations selectable

### Intended applications:

- machine tools
- agricultural machines
- press brakes

## Table of Contents

Technical data.....	2
Characteristic lines.....	3
Dimensions and connections.....	4
Order information.....	6
Contact details.....	8

## Technical data

### General

weight	VE16: 2.0 kg VE32: 2.2 kg
ambient temperature	-30 to +50 °C
mounting position	arbitrary
max. permissible switching frequency	3.000/h

### Hydraulic parameters

Hydraulic fluid: mineral oil according to DIN 51524, other media on request

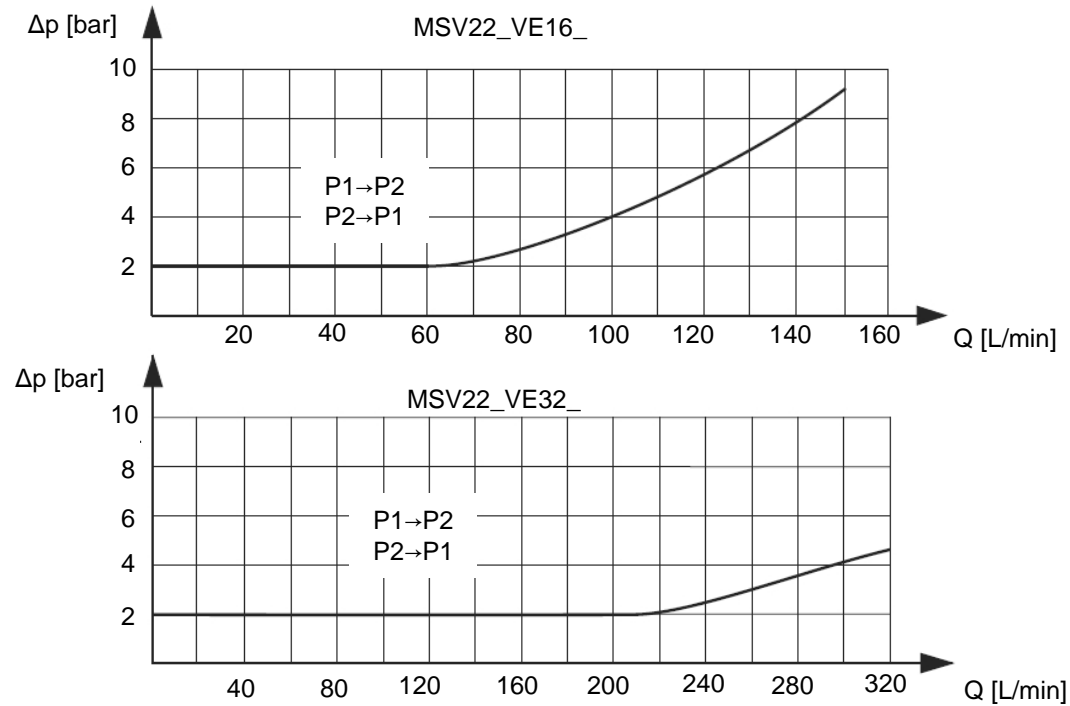
max. operating pressure	P1, P2, X, Z : 350 bar; Y: pressureless to tank
temperature of hydraulic fluid	-25 to +70 °C
viscosity	10-600 mm <sup>2</sup> /s
permissible degree of pollution	max. class 22/19/16 according ISO 4406
volume flow (power limit)	VE16: max. 150 L/min VE32: max. 320 L/min
filter recommendation	filter retention rate $\beta_{25} > 75$

### Actuation

actuation	electromagnetic with/without manual override
voltage	DC $\pm 10$ %; AC $\pm 10$ % with rectifier socket
power consumption	30 W; P <sub>20</sub> (= power at 20 °C)
duty cycle	continuous operation
protection class according DIN 40050	IP65 with plug
connection type	connector DIN43650-AF2-PG9
control pressure range	350 bar
control volume	VE16: 2.0 cm <sup>3</sup> VE32: 4.0 cm <sup>3</sup>

## Characteristic lines

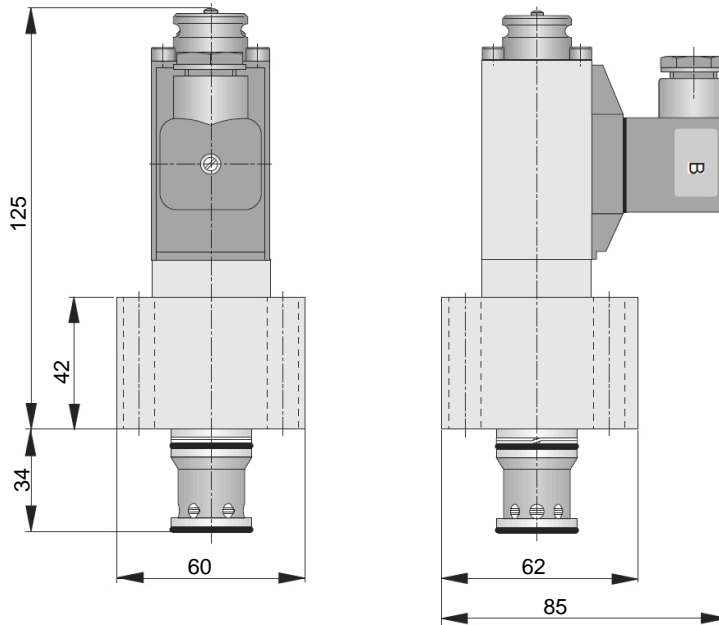
measured at +50 °C temperature of hydraulic fluid, viscosity 35 mm<sup>2</sup>/s, tolerance ±5 %



## Dimensions and connections

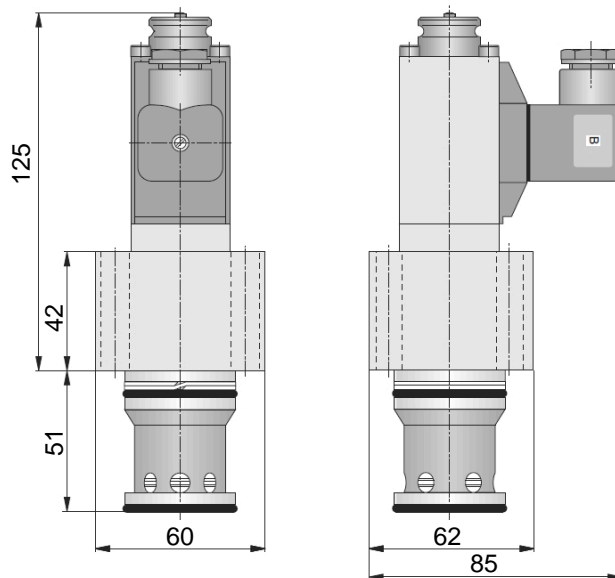
Dimensions are given in mm.

### MSV22 VE16



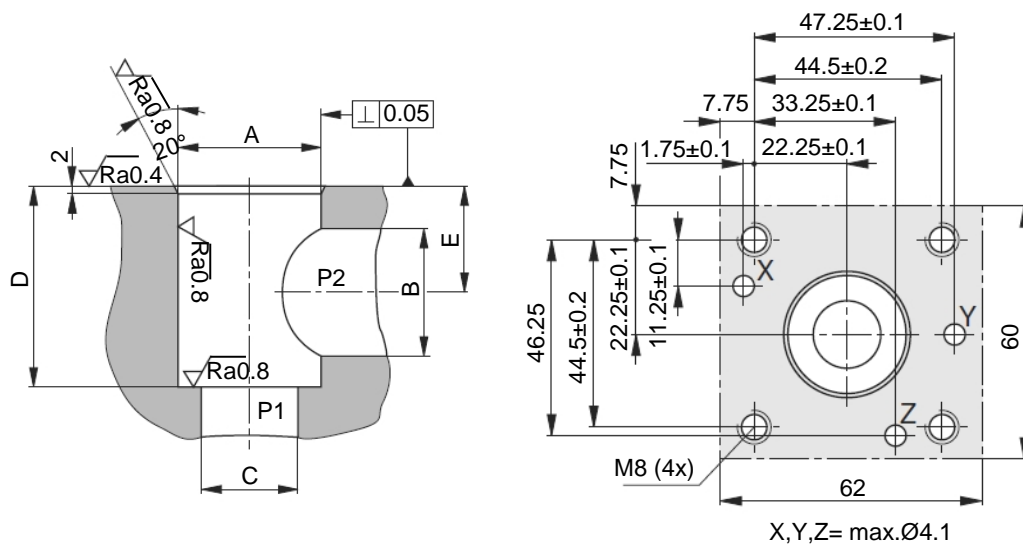
Connector can be mounted in 4 positions at a 90° angle.

### MSV22 VE32



Connector can be mounted in 4 position at a 90° angle.

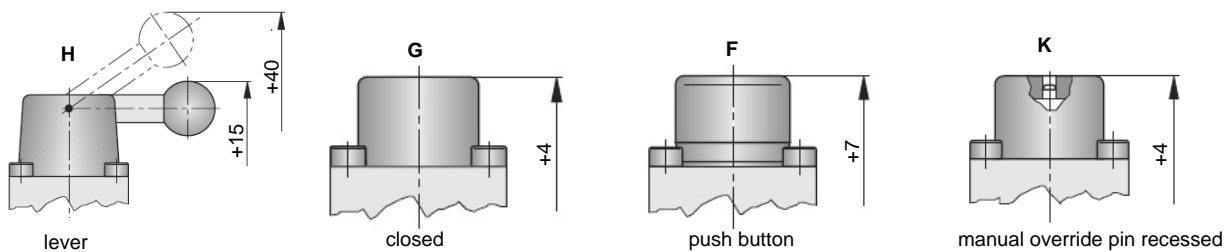
**Mounting space**



	MSV225VE16_	MSV225VE32_
A	Ø28H8	Ø38.1H8
B	Ø20	Ø33
C	Ø16	Ø25
D	34+0.05	50.8+0.05
E	20+0.5	29+0.5

X = Connect pilot port with P1.  
 Z = Connect pilot port with P2.  
 Y = Drain port (pilot oil drain) pressureless to tank.

**Manual override**

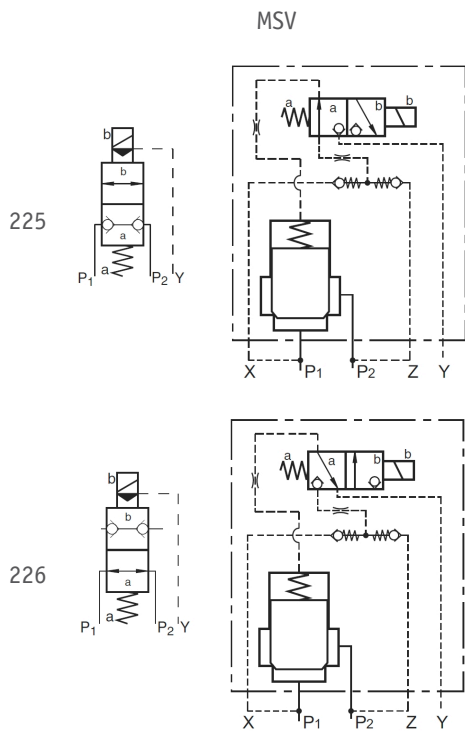


## Order information

### Type code

MSV	225	VE16	P	H
				manual override
				electrical data
		size		
	switching symbols			
type				

### switching symbols



### size

VE16	size up to 150 L/min
VE32	size up to 320 L/min

**electrical data**

N	12 VDC
P	24 VDC
V	115 VAC 50/60 Hz with rectifier socket
W	230 VAC 50/60 Hz with rectifier socket

**Manual override**

—	basic version
H	lever
G	closed
F	push button
K	manual override pin recessed

## Contact details

### Headquarters

HAWE Hydraulik SE  
Einsteinring 17  
85605 Aschheim  
Germany

e-mail: [info@hawe.de](mailto:info@hawe.de)  
[www.hawe.com](http://www.hawe.com)

Phone: +49 (0) 89 / 37 91 00 - 1000

### Contact to the Customer Service

Phone (Head office)	+ 49 (0) 89 / 37 91 00 - 1000
Phone (Spare parts)	+ 49 (0) 89 / 37 91 00 - 1302
Phone (Customer Service)	+ 49 (0) 89 / 37 91 00 - 1491
Fax (Customer Service)	+ 49 (0) 89 / 37 91 00 - 91491
e-mail	<a href="mailto:spareparts@hawe.de">spareparts@hawe.de</a> <a href="mailto:service@hawe.de">service@hawe.de</a>