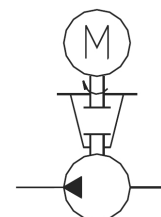


Mini power unit series H3

0.37 - 1.5 kW



0.7 - 4 L/min



Product characteristics

H300

The mini power unit H300 with integrated control is designed for the industrial drive of single-acting actuators (lifting / lowering function). The high tightness of the 2/2-poppet valve saves power loss, the load is safely held in position.

Characteristics:

- fast pressure build-up
- easy access to mounting and connection options
- extremely tight 2/2-poppet valve
- de-energized pressure holding by check valves
- manual pressure limit through emergency relief valve
- container for hydraulic fluid powder-coated (inside & outside)

H350

The mini power unit H350 is designed for modular valve assembly (linking) with HAWE NG04 valves.

Characteristics:

- a variety of accessories is available, for example assembly modules for clamping function or storage operation
- consumer loads on one side
- low height
- use of through-holed P and T lines as external P and T connections on the last modular body
- container for hydraulic fluid powder-coated (inside & outside)

Table of Contents

Technical data	2
Dimensions and connections	3
Order information	7

Technical data

General

ambient temperature [°C]	mounting position	corrosion protection
-15 to +40	horizontal or vertical	motor: painted according RAL7031 tank: powder-coated according RAL90218 bell housing: aluminum, bright

Hydraulic parameters

Hydraulic fluid: mineral oil according to DIN 51524, other media on request

type of pump	Hydraulic fluid temperature [°C]	viscosity [mm ² /s]	starting viscosity [mm ² /s]	filter	tank volume
external gear pump	-10 to +70	10-600	1600	90 µm	2 & 4 Liter

Electrical parameters

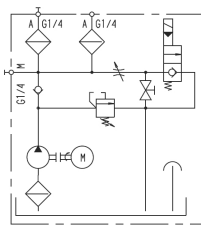
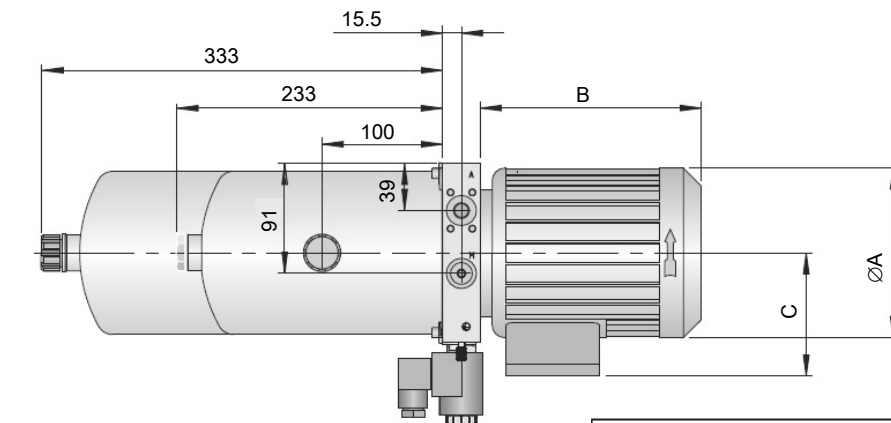
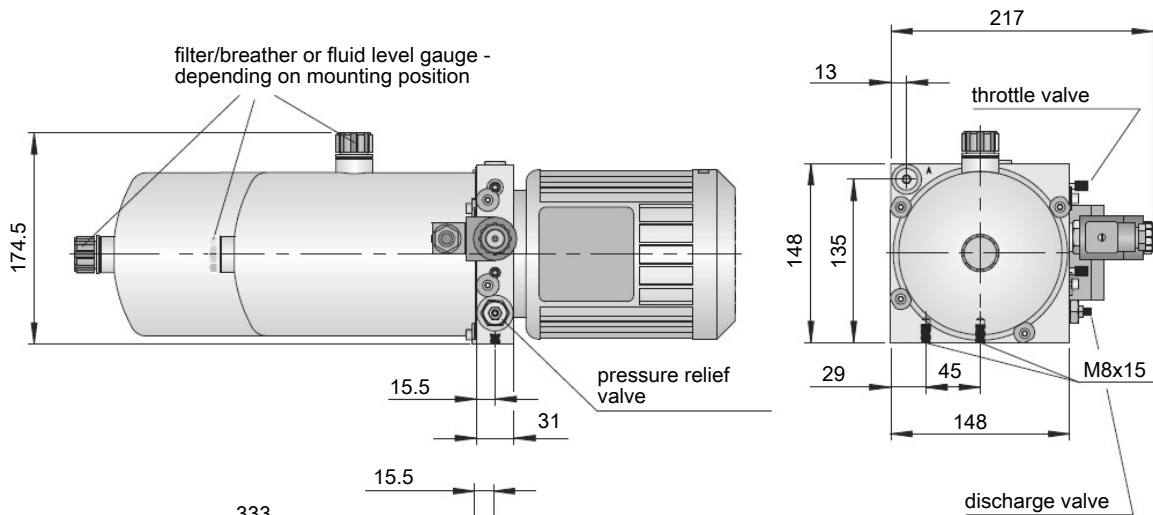
rated output [kW]	voltage range	duty cycle	nominal speed [min ⁻¹]	ingress protection class	insulation class	type
0.37-1.5	220-240 V / 380-420 V; 50 Hz 254-280 V / 440-480 V; 60 Hz	S3 – 20 %*	1400 min ⁻¹ / 2800 min ⁻¹	IP55 according DIN40050	F according IEC34-1	B14 without protective roof according IEC34-7

*Other duty types on request

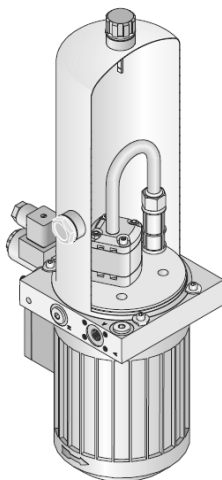
Dimensions and connections

Dimensions are given in mm.

H300



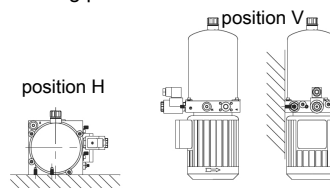
connections: A, M G1/4

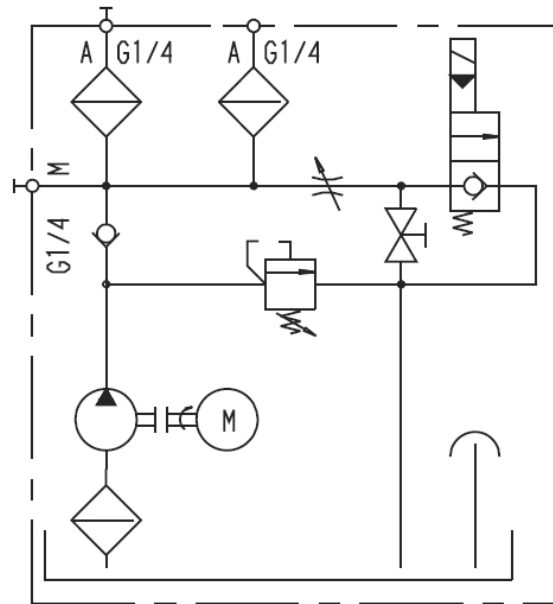
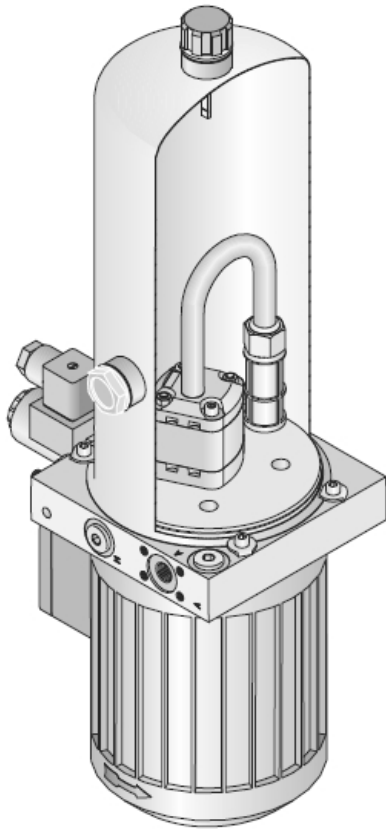


tank				
	total volume	effective volume	total volume	effective volume
	vertical (position V)		horizontal (position H)	
02	2.5 L	1.4 L	2.5 L	1.9 L
04	3.9 L	2.8 L	3.9 L	3.3 L

motor 230/400 V, 50 Hz			
power	A	B	C
0.37 kW	Ø140	200	103
0.75 kW	Ø140	200	103
1.50 kW	Ø140	230	103

mounting position and fixation



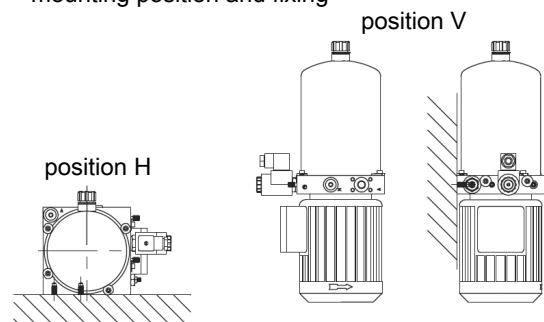


connection: A, M G1/4

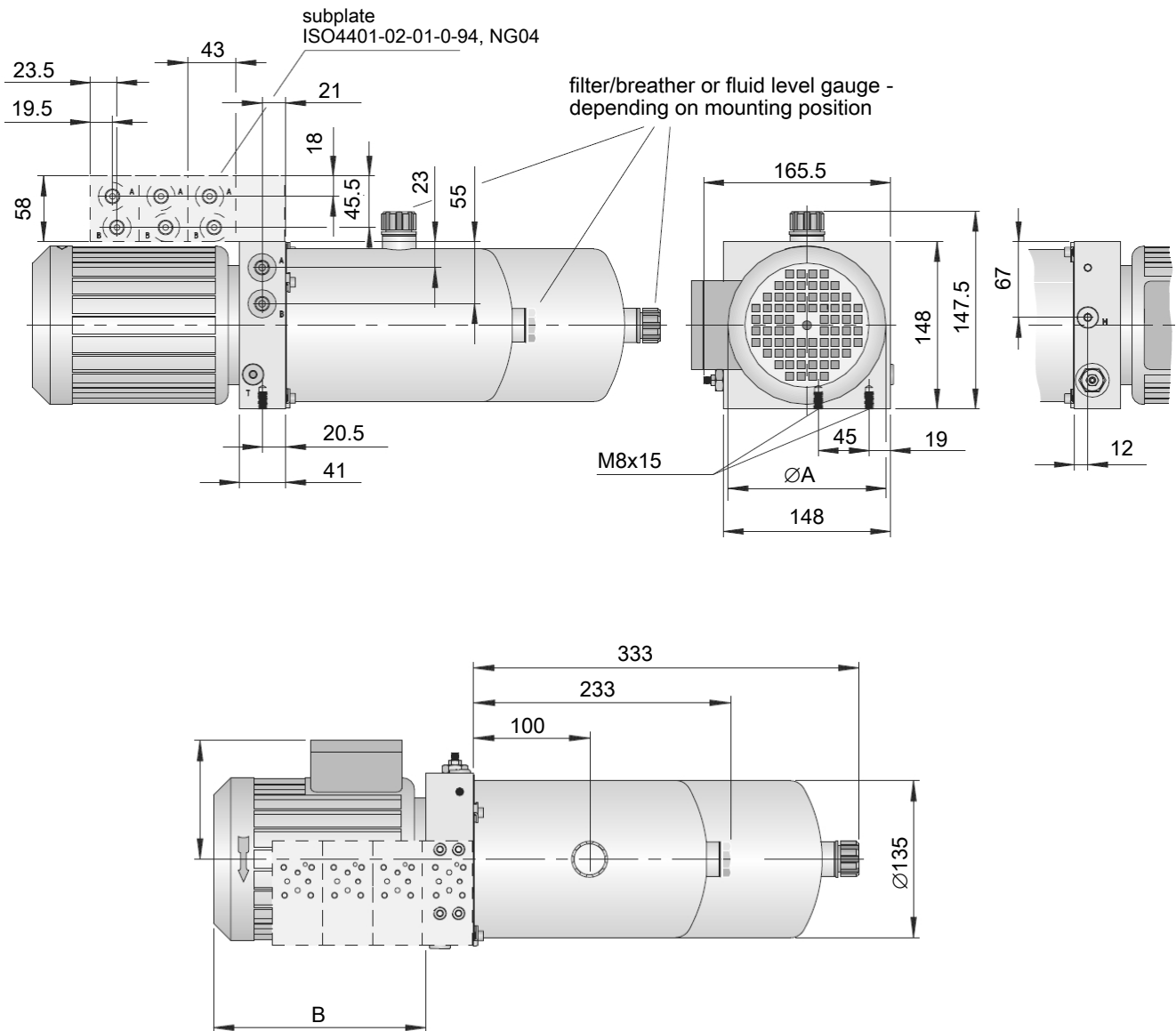
tank				
	tank volume	effective volume	tank volume	effective volume
	vertical (position V)		horizontal (position H)	
02	2.5 L	1.4 L	2.5 L	1.9 L
04	3.9 L	2.8 L	3.9 L	3.3 L

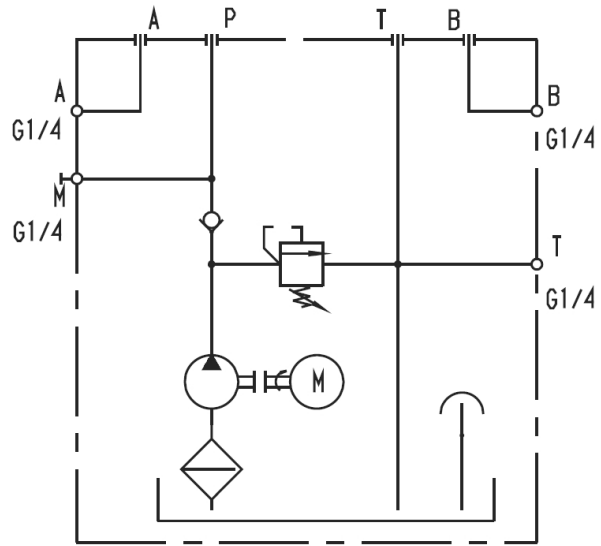
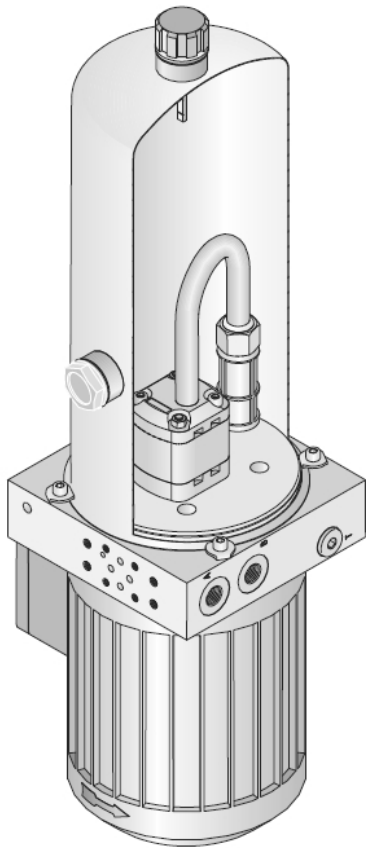
motor 230/400 V, 50 Hz			
power	A	B	C
0.37 kW	∅140	200	103
0.75 kW	∅140	200	103
1.50 kW	∅140	230	103

mounting position and fixing



H350



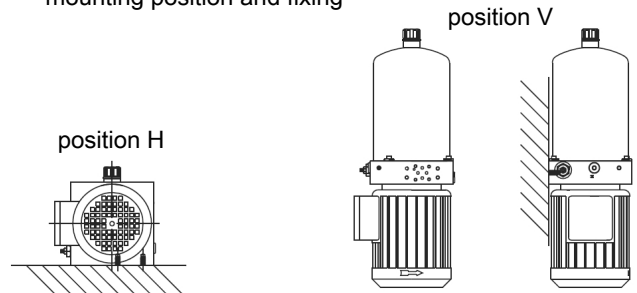


connections: A, B, M G1/4

tank				
	tank volume	effective volume	tank volume	effective volume
	vertical (position V)		horizontal (position H)	
02	2.5 L	1.4 L	2.5 L	1.9 L
04	3.9 L	2.8 L	3.9 L	3.3 L

motor 230/400 V, 50 Hz			
power	A	B	C
0.37 kW	Ø140	200	103
0.75 kW	Ø140	200	103
1.50 kW	Ø140	230	103

mounting position and fixing



Order information

Type code

order example

H300	D	150	D	2	M	060	H	04	P
------	---	-----	---	---	---	-----	---	----	---

type

H300 without modular valve assembly
H350 with modular valve assembly

valve voltage*

P 24 V DC
W 230 V 50/60 Hz

*H300 only

valve assembly H350

X prepared for module design
Z tube connection P and T

tank size

02 2 liter
04 4 liter

valve assembly H300

D throttle valve

mounting position

H horizontal
V vertical

motor power

037 0.37 kW (4 poles)
075 0.75 kW (2 poles)
150 1.50 kW (2 poles)

pump size

pump	cm ³ /U	L/min		Pmax [bar]
		$\approx 1400 \text{ min}^{-1}$ 50 Hz	$\approx 2800 \text{ min}^{-1}$ 50 Hz	
018	0.18	0.25	0.50	190
024	0.24	0.34	0.67	190
030	0.30	0.42	0.84	190
036	0.36	0.50	1.01	190
048	0.48	0.67	1.34	190
060	0.60	0.84	1.68	190
084	0.84	1.18	2.35	190
097	0.97	1.36	2.72	190
122	1.22	1.71	3.42	190
152	1.52	2.13	4.26	190

When operating at 60 Hz, motor speed, oil flow, and power are increased by ~20 %.

manometer

M with manometer
H without manometer

Manufacturer:
HAWE Altenstadt GmbH
Südliche Römerstr. 15
86972 Altenstadt
Germany
Phone: +49 8861 221-0
info@hawe-altenstadt.com
www.hawe.com



HEX6344C-en

Technical data and illustrations
The technical data and figures were compiled with great care and to the best of our knowledge. HAWE accepts no liability for the currentness, correctness and completeness of this information.
The content of this catalog shall not be construed as a quotation in the legal sense. A written order confirmation from HAWE, which is provided exclusively subject to HAWE 's General Sales and Delivery Terms and Conditions, shall be decisive for the execution of the contract. You can obtain these from our Sales Department.
The data and information, such as figures, drawings, descriptions, dimensions, weights, materials, technical and other deliverables contained in general product descriptions, HAWE catalogs, brochures and price lists in any form, as well as the described products and services are subject to change and may be amended or updated at any time without prior announcement by HAWE. They are binding only to the extent that they are expressly referenced in the contract or the order confirmation. Minor deviations from such product-describing information shall be deemed accepted and do not affect the performance of contracts, to the extent they are within reason for the customer.
This catalog contains no express or implied guarantees, warranted qualities, or representations and warranties whatsoever on the part of HAWE for the represented products, also with regard to the availability of the products.
To the extent it is allowed by law, any liability on the part of HAWE is hereby excluded for direct or indirect damage, consequential damage, claims regardless of type and on whatever legal grounds, which are caused by the use of information contained in this catalog. The liability disclaimer shall not apply to deceit, intent or gross negligence, injury to life, limb or health, or where unlimited liability is prescribed by law.

Trademark, copyright and duplication
The representation of industrial property rights such as brands, logos, registered trademarks or patents in this catalog shall not be construed to include the granting of licenses or rights of use. Their use is not permitted without the express written consent of HAWE. The entire content of this catalog is the intellectual property of HAWE. As defined by copyright, any unlawful use of intellectual property, including in extracts, is prohibited. Any full or partial reproduction, duplication or translation is only permitted with the prior written consent of HAWE.