



Compliant to NRCAN 2019
Efficiency Standards

HPS Express™

Energy Efficient Commercial Low Voltage Distribution Transformers

HPS Express™

Energy Efficient Commercial Distribution Transformer



The new HPS Express™ G series of energy efficient low voltage distribution transformers offer an ideal combination of features, quality, reliability and performance to provide the most cost effective solution for your commercial applications.

Typical Applications

The new HPS Express G is best suited to satisfy the needs of typical electrical power distribution applications including:



Energy Efficiency

This product line meets or exceeds the latest energy efficiency requirements prescribed by the Natural Resources Canada (NRCan), and the Ontario Green Energy Act.

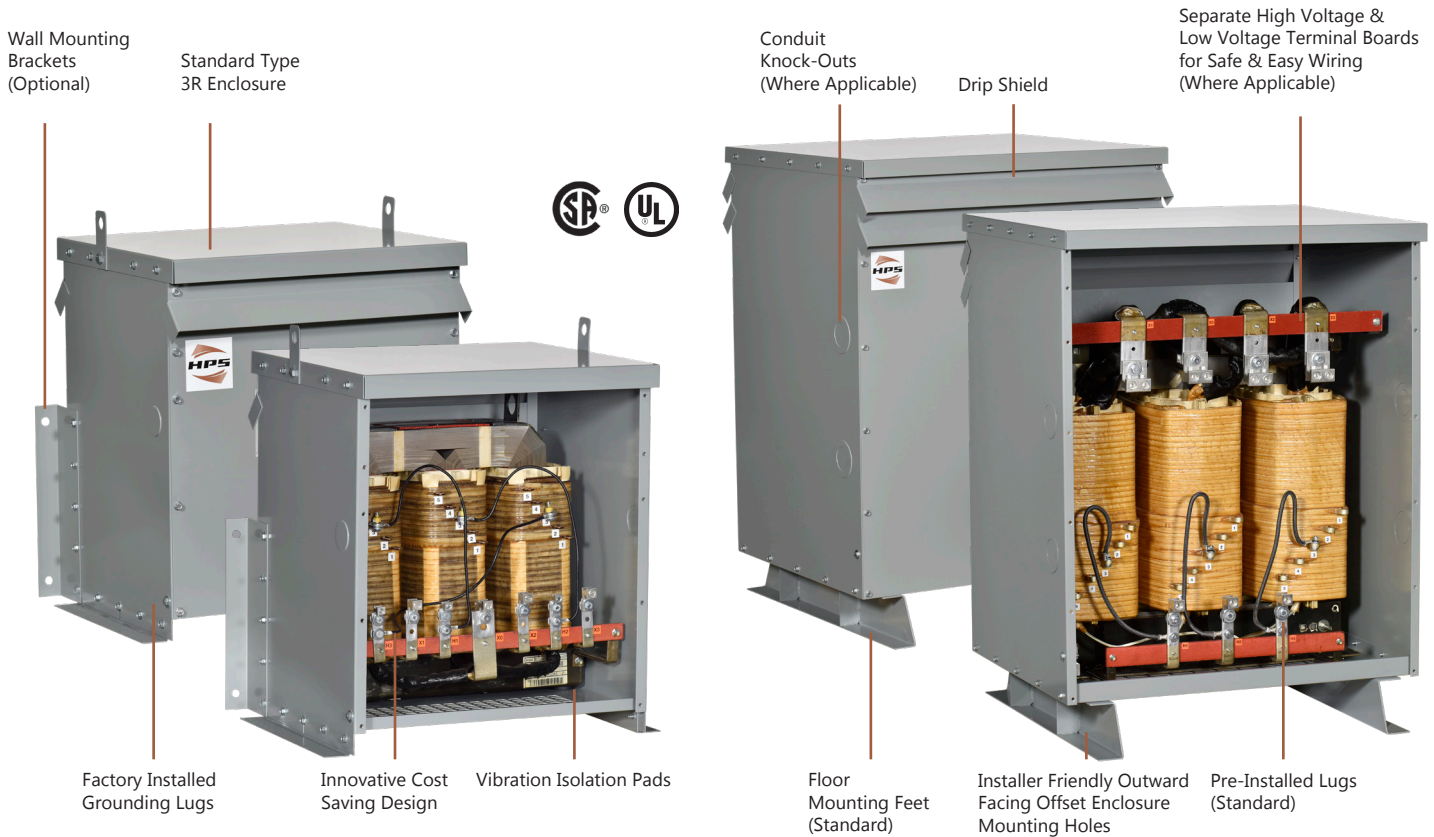
Single Phase		Three Phase	
kVA	Efficiency (%)	kVA	Efficiency (%)
15	97.70	15	97.89
25	98.00	30	98.23
37.5	98.20	45	98.40
50	98.30	75	98.60
75	98.50	112.5	98.74
100	98.60	150	98.83
167	98.70	225	98.94
250	98.80	300	99.02
333	98.90	500	99.14
		750	99.23
		1000	99.28

Note: All efficiency values are at 35% of nominal load.

Benefits

- Significant energy savings combined with positive environmental impact
- Higher efficiency = \$ savings:
 - Increased profitability due to low operating costs
 - Decreased cost of ownership over the lifetime of the transformer
 - Less air conditioning cost due to lower heat emissions
- Product available from stock in standard voltage and kVA sizes including 250kVA in single phase and 450kVA in three phase
- Standard type 3R enclosures
- Dual CSA and UL certification
- Industry leading design and technology solutions
- Unmatched HPS quality and reliability

Installation made fast and easy!



Specifications - Copper or Aluminum

kVA:	15-250kVA single phase; 15-450kVA three phase
UL Listed:	File: E112313
CSA Certified:	File: LR3902
Frequency:	60 Hz
Insulation System:	220°C (150°C rise)
Enclosure Type:	Heavy duty ventilated Type 3R standard
Enclosure Finish:	ANSI 61 Grey, UL50
Neutral:	Neutral terminal for field connection (on applicable units)
Standard Primary Taps:	Refer to wiring diagrams for details

Termination:	Front accessible high and low voltage terminals; lugs provided standard; connectors suitable for aluminum and copper are provided for easy cable installation.
Conduit Entry:	Side knock-outs provided where applicable
Impedance:	Typically 3% to 6.5%
Mounting:	Floor mounting standard/wall mounting optional. Refer to selection tables for details.
Sound Level:	Meets NEMA ST-20 standards
Warranty:	1 year

Selection Tables

HPS Express G
Single Phase

ALUMINUM WOUND, SINGLE PHASE



480 Primary Volts

120/240 Secondary Volts

60 Hz

kVA	Catalog Number	Case Style	Approx. Dimensions in Inches [mm]			Approx. Weight Lbs. [kg]	Mtg Type W - Wall F - Floor	Wiring Diagram
			Width	Depth	Height			
15	EG3L0015KE	CN2	22.1 [561]	18.2 [462]	23.6 [599]	160 [73]	F or W*	SCD 1E
25	EG3L0025KE	CN3	24.9 [632]	19.4 [493]	25.6 [650]	225 [102]	F or W*	SCD 1E
37.5	EG3L0037KE	CN4	26.3 [668]	23.3 [592]	31.1 [790]	310 [141]	F	SCD 1E
50	EG3L0050KE	CN4	26.3 [668]	23.3 [592]	31.1 [790]	370 [168]	F	SCD 1E
75	EG3L0075KE	CN5	29 [737]	26.5 [673]	39.1 [993]	450 [204]	F	SCD 1E
100	EG3L0100KE	CN5	29 [737]	26.5 [673]	39.1 [993]	560 [254]	F	SCD 1E
150	EG3L0150KE	CN6	37.8 [960]	30 [762]	48.4 [1229]	820 [372]	F	SCD 2E
200	EG3L0200KE	CN6	37.8 [960]	30 [762]	48.4 [1229]	1000 [454]	F	SCD 2E

600 Primary Volts

120/240 Secondary Volts

60 Hz

kVA	Catalog Number	Case Style	Approx. Dimensions in Inches [mm]			Approx. Weight Lbs. [kg]	Mtg Type W - Wall F - Floor	Wiring Diagram
			Width	Depth	Height			
15	EG3L0015PE	CN2	22.1 [561]	18.2 [462]	23.6 [599]	160 [73]	F or W*	SCD 1E
25	EG3L0025PE	CN3	24.9 [632]	19.4 [493]	25.6 [650]	225 [102]	F or W*	SCD 1E
37.5	EG3L0037PE	CN4	26.3 [668]	23.3 [592]	31.1 [790]	310 [141]	F	SCD 1E
50	EG3L0050PE	CN4	26.3 [668]	23.3 [592]	31.1 [790]	370 [168]	F	SCD 1E
75	EG3L0075PE	CN5	29 [737]	26.5 [673]	39.1 [993]	450 [204]	F	SCD 1E
100	EG3L0100PE	CN5	29 [737]	26.5 [673]	39.1 [993]	560 [254]	F	SCD 1E
150	EG3L0150PE	CN6	37.8 [960]	30 [762]	48.4 [1229]	820 [372]	F	SCD 2E
200	EG3L0200PE	CN6	37.8 [960]	30 [762]	48.4 [1229]	1000 [454]	F	SCD 2E
250	EG3L0250PE	CN7	41.8 [1062]	36 [914]	56.1 [1425]	1300 [590]	F	SCD 2E

COPPER WOUND, SINGLE PHASE



480 Primary Volts

120/240 Secondary Volts

60 Hz

kVA	Catalog Number	Case Style	Approx. Dimensions in Inches [mm]			Approx. Weight Lbs. [kg]	Mtg Type W - Wall F - Floor	Wiring Diagram
			Width	Depth	Height			
15	EG3L0015KEC	CN2	22.1 [561]	18.2 [462]	23.6 [599]	165 [75]	F or W*	SCD 1E
25	EG3L0025KEC	CN3	24.9 [632]	19.4 [493]	25.6 [650]	240 [109]	F or W*	SCD 1E
37.5	EG3L0037KEC	CN4	26.3 [668]	23.3 [592]	31.1 [790]	340 [154]	F	SCD 1E
50	EG3L0050KEC	CN4	26.3 [668]	23.3 [592]	31.1 [790]	390 [177]	F	SCD 1E
75	EG3L0075KEC	CN5	29 [737]	26.5 [673]	39.1 [993]	540 [245]	F	SCD 1E
100	EG3L0100KEC	CN5	29 [737]	26.5 [673]	39.1 [993]	650 [295]	F	SCD 1E
150	EG3L0150KEC	CN6	37.8 [960]	30 [762]	48.4 [1229]	960 [435]	F	SCD 2E
200	EG3L0200KEC	CN6	37.8 [960]	30 [762]	48.4 [1229]	1080 [490]	F	SCD 2E

600 Primary Volts

120/240 Secondary Volts

60 Hz

kVA	Catalog Number	Case Style	Approx. Dimensions in Inches [mm]			Approx. Weight Lbs. [kg]	Mtg Type W - Wall F - Floor	Wiring Diagram
			Width	Depth	Height			
15	EG3L0015PEC	CN2	22.1 [561]	18.2 [462]	23.6 [599]	165 [75]	F or W*	SCD 1E
25	EG3L0025PEC	CN3	24.9 [632]	19.4 [493]	25.6 [650]	240 [109]	F or W*	SCD 1E
37.5	EG3L0037PEC	CN4	26.3 [668]	23.3 [592]	31.1 [790]	340 [154]	F	SCD 1E
50	EG3L0050PEC	CN4	26.3 [668]	23.3 [592]	31.1 [790]	390 [177]	F	SCD 1E
75	EG3L0075PEC	CN5	29 [737]	26.5 [673]	39.1 [993]	540 [245]	F	SCD 1E
100	EG3L0100PEC	CN5	29 [737]	26.5 [673]	39.1 [993]	650 [295]	F	SCD 1E
150	EG3L0150PEC	CN6	37.8 [960]	30 [762]	48.4 [1229]	960 [435]	F	SCD 2E
200	EG3L0200PEC	CN6	37.8 [960]	30 [762]	48.4 [1229]	1080 [490]	F	SCD 2E
250	EG3L0250PEC	CN7	41.8 [1062]	36 [914]	56.1 [1425]	1440 [653]	F	SCD 2E

W*: Optional wall mounting kit available

Selection Tables

HPS Express G
Three Phase



Hammond
Power Solutions

ALUMINUM WOUND, THREE PHASE



480D Primary Volts

208Y/120 Secondary Volts

60 Hz

kVA	Catalog Number	Case Style	Approx. Dimensions in Inches [mm]			Approx. Weight Lbs. [kg]	Mtg Type W - Wall F - Floor	Wiring Diagram
			Width	Depth	Height			
15	EG3A0015KB	CN1	20.1 [511]	17.5 [445]	17.6 [447]	165 [75]	F or W*	SCD 3E
30	EG3A0030KB	CN2	22.1 [561]	18.2 [462]	23.6 [599]	285 [129]	F or W*	SCD 3E
45	EG3A0045KB	CN3	24.9 [632]	19.4 [493]	25.6 [650]	345 [156]	F or W*	SCD 3E
75	EG3A0075KB	CN4	26.3 [668]	23.3 [592]	31.1 [790]	540 [245]	F	SCD 3E
112.5	EG3A0112KB	CN5	29 [737]	26.5 [673]	39.1 [993]	750 [340]	F	SCD 3E
150	EG3A0150KB	CN5	29[737]	26.5 [673]	39.1 [993]	885 [401]	F	SCD 3E
225	EG3A0225KB	CN6	37.8 [960]	30 [762]	48.4 [1229]	1500 [680]	F	SCD 3E
300	EG3A0300KB	CN6	37.8 [960]	30 [762]	48.4 [1229]	1750 [794]	F	SCD 3E

600D Primary Volts

208Y/120 Secondary Volts

60 Hz

kVA	Catalog Number	Case Style	Approx. Dimensions in Inches [mm]			Approx. Weight Lbs. [kg]	Mtg Type W - Wall F - Floor	Wiring Diagram
			Width	Depth	Height			
15	EG3A0015PB	CN1	20.1 [511]	17.5 [445]	17.6 [447]	165 [75]	F or W*	SCD 3E
30	EG3A0030PB	CN2	22.1 [561]	18.2 [462]	23.6 [599]	285 [129]	F or W*	SCD 3E
45	EG3A0045PB	CN3	24.9 [632]	19.4 [493]	25.6 [650]	345 [156]	F or W*	SCD 3E
75	EG3A0075PB	CN4	26.3 [668]	23.3 [592]	31.1 [790]	540 [245]	F	SCD 3E
112.5	EG3A0112PB	CN5	29 [737]	26.5 [673]	39.1 [993]	750 [340]	F	SCD 3E
150	EG3A0150PB	CN5	29 [737]	26.5 [673]	39.1 [993]	885 [401]	F	SCD 3E
225	EG3A0225PB	CN6	37.8 [960]	30 [762]	48.4 [1229]	1500 [680]	F	SCD 3E
300	EG3A0300PB	CN6	37.8 [960]	30 [762]	48.4 [1229]	1750 [794]	F	SCD 3E
450	EG3A0450PB	CN7	41.8 [1062]	36 [914]	56.1 [1425]	2400 [1089]	F	SCD 4E

COPPER WOUND, THREE PHASE



480D Primary Volts

208Y/120 Secondary Volts

60 Hz

kVA	Catalog Number	Case Style	Approx. Dimensions in Inches [mm]			Approx. Weight Lbs. [kg]	Mtg Type W - Wall F - Floor	Wiring Diagram
			Width	Depth	Height			
15	EG3A0015KBC	CN1	20.1 [511]	17.5 [445]	17.6 [447]	185 [84]	F or W*	SCD 3E
30	EG3A0030KBC	CN2	22.1 [561]	18.2 [462]	23.6 [599]	300 [136]	F or W*	SCD 3E
45	EG3A0045KBC	CN3	24.9 [632]	19.4 [493]	25.6 [650]	390 [177]	F or W*	SCD 3E
75	EG3A0075KBC	CN4	26.3 [668]	23.3 [592]	31.1 [790]	635 [288]	F	SCD 3E
112.5	EG3A0112KBC	CN5	29 [737]	26.5 [673]	39.1 [993]	815 [370]	F	SCD 3E
150	EG3A0150KBC	CN5	29 [737]	26.5 [673]	39.1 [993]	980 [445]	F	SCD 3E
225	EG3A0225KBC	CN6	37.8 [960]	30 [762]	48.4 [1229]	1600 [726]	F	SCD 3E
300	EG3A0300KBC	CN6	37.8 [960]	30 [762]	48.4 [1229]	1850 [839]	F	SCD 3E

600D Primary Volts

208Y/120 Secondary Volts

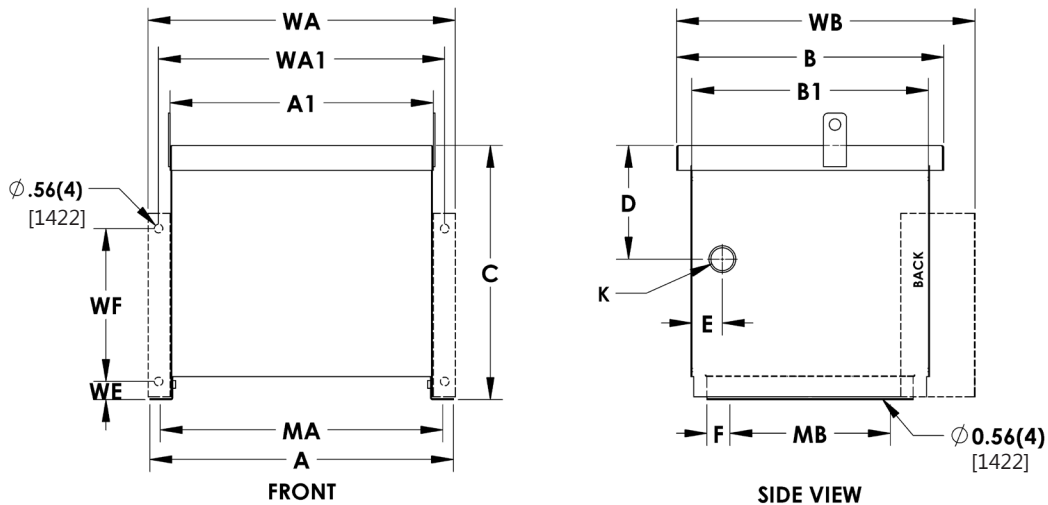
60 Hz

kVA	Catalog Number	Case Style	Approx. Dimensions in Inches [mm]			Approx. Weight Lbs. [kg]	Mtg Type W - Wall F - Floor	Wiring Diagram
			Width	Depth	Height			
15	EG3A0015PBC	CN1	20.1 [511]	17.5 [445]	17.6 [447]	185 [84]	F or W*	SCD 3E
30	EG3A0030PBC	CN2	22.1 [561]	18.2 [462]	23.6 [599]	300 [136]	F or W*	SCD 3E
45	EG3A0045PBC	CN3	24.9 [632]	19.4 [493]	25.6 [650]	390 [177]	F or W*	SCD 3E
75	EG3A0075PBC	CN4	26.3 [668]	23.3 [592]	31.1 [790]	635 [288]	F	SCD 3E
112.5	EG3A0112PBC	CN5	29 [737]	26.5 [673]	39.1 [993]	815 [370]	F	SCD 3E
150	EG3A0150PBC	CN5	29 [737]	26.5 [673]	39.1 [993]	980 [445]	F	SCD 3E
225	EG3A0225PBC	CN6	37.8 [960]	30 [762]	48.4 [1229]	1600 [726]	F	SCD 3E
300	EG3A0300PBC	CN6	37.8 [960]	30 [762]	48.4 [1229]	1850 [839]	F	SCD 3E
450	EG3A0450PBC	CN7	41.8 [1062]	36 [914]	56.1 [1425]	3000 [1361]	F	SCD 4E

W*: Optional wall mounting kit available

Enclosure Drawings

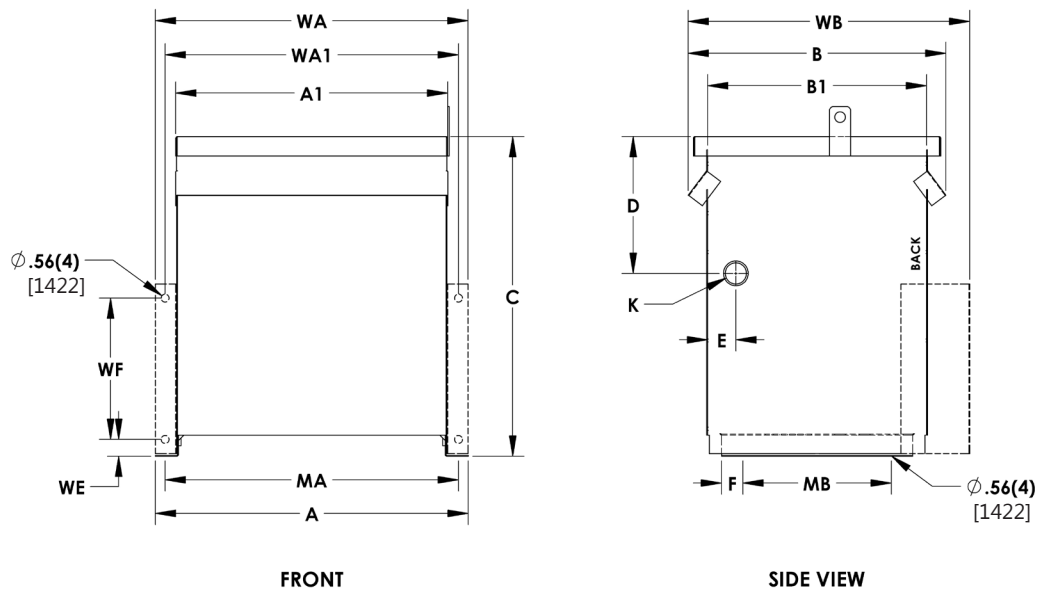
CN Series



Dimensions in Inches [mm]

Case Style	Dimensions in Inches [mm]															
	A	A1	B	B1	C	D	E	F	K	MA	MB	WA*	WA1*	WB*	WE*	WF*
CN1	19.9 [505]	17.3 [439]	17.5 [445]	15.5 [394]	17.6 [447]	7.4 [188]	2.0 [51]	1.5 [38]	1.75 K.O. [44]	18.5 [470]	10.5 [267]	20.1 [511]	18.7 [475]	19.5 [495]	2.2 [56]	10.0 [254]

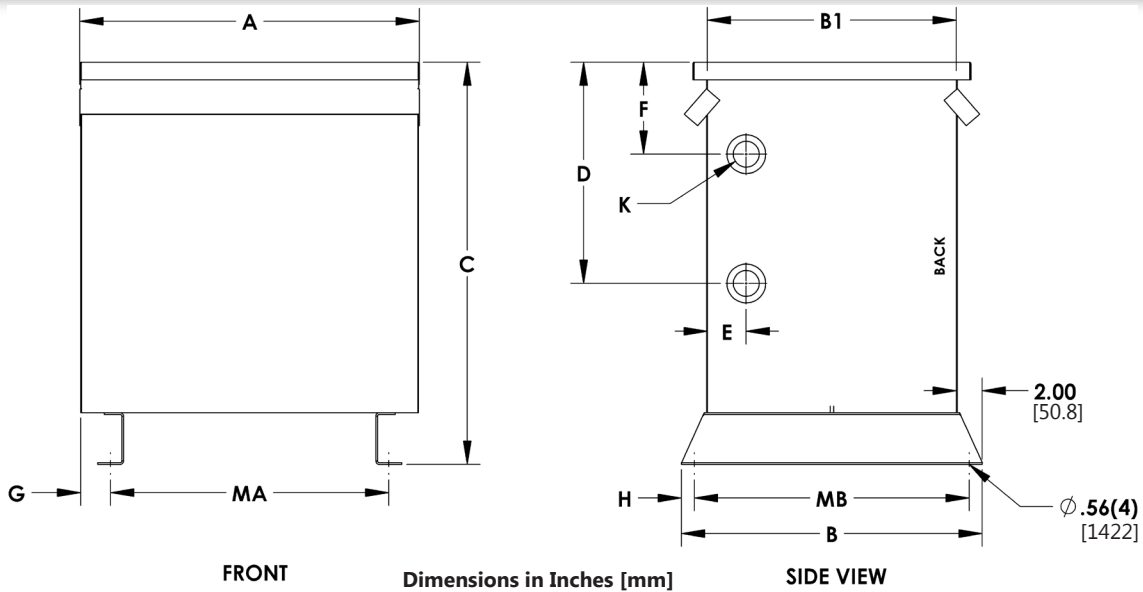
* Dimensions of enclosure when wall-mounting bracket installed (optional accessory component).



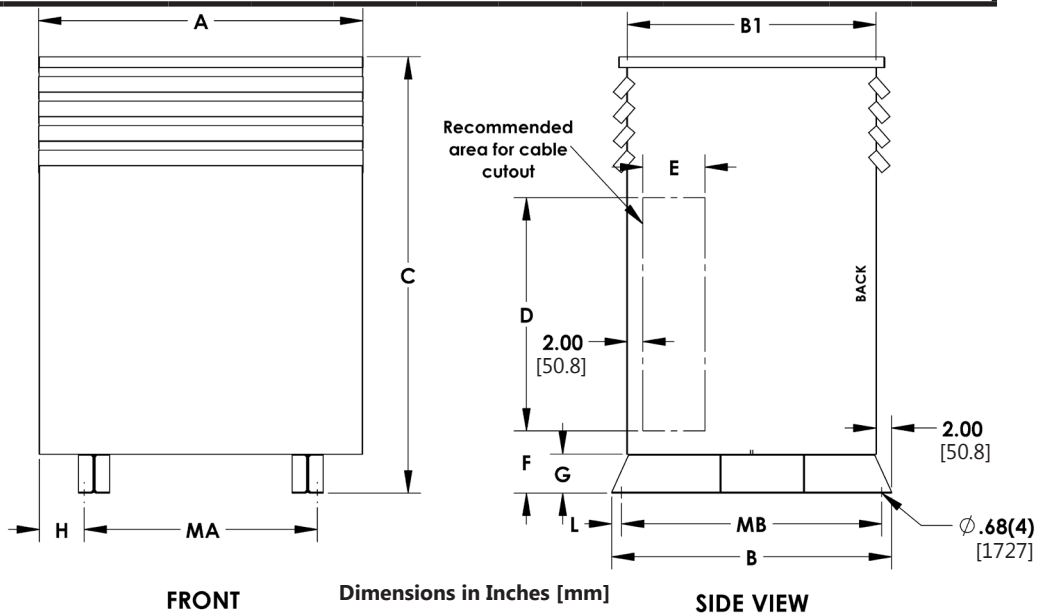
Dimensions in Inches [mm]

Case Style	Dimensions in Inches [mm]															
	A	A1	B	B1	C	D	E	F	K	MA	MB	WA*	WA1*	WB*	WE*	WF*
CN2	22.1 [561]	19.2 [488]	18.2 [462]	15.5 [394]	23.6 [599]	9.7 [246]	2.0 [51]	1.5 [38]	1.75 K.O. [44]	20.8 [528]	10.5 [267]	22.1 [561]	20.8 [528]	19.9 [505]	2.2 [56]	10.0 [254]
CN3	24.9 [632]	22.0 [559]	19.4 [493]	16.5 [419]	25.6 [650]	12.0 [305]	2.0 [51]	2.0 [51]	1.75 K.O. [44]	23.5 [597]	10.5 [267]	24.9 [632]	23.5 [597]	21.0 [533]	2.2 [56]	10.0 [254]

* Dimensions of enclosure when wall-mounting bracket installed (optional accessory component).



Case Style	Dimensions in Inches [mm]											
	A	B	B1	C	D	E	F	G	H	K	MA	MB
CN4	26.3 [668]	23.3 [591]	19.3 [490]	31.1 [789]	17.10 [434]	3.00 [76.2]	7.1 [180]	2.30 [58]	1.0 [25]	2.0 x 3.0 K.O. [50 x 76 K.O.]	21.5 [546]	21.3 [541]
CN5	29.0 [736]	26.5 [673.1]	22.5 [571]	39.1 [993]	24.10 [612]	3.00 [76]	14.1 [358]	2.7 [68]	1.0 [25]	2.0 x 3.0 K.O. [50 x 76 K.O.]	23.5 [596]	24.5 [622]
CN6	37.8 [960]	30.0 [762]	26.0 [660]	48.4 [1229]	33.40 [848]	3.00 [76]	23.4 [594]	6.8 [172]	1.0 [25]	2.0 x 3.0 K.O. [50 x 76 K.O.]	24 [609]	28 [711]



Case Style	Dimensions in Inches [mm]											
	A	B	B1	C	D	E	F	G	H	L	MA	MB
CN7	41.80 [1061]	36.0 [914]	32.0 [812]	56.1 [1429]	30.0 [762]	8.0 [203]	8.0 [203]	5.0 [127]	5.9 [149]	0.8 [20]	30.0 [762]	34.5 [876]

Single Phase

Voltage Range 120V to 600V
150°C Temp. Rise

kVA	Efficiency at 35% of Rated Load, @75°C	Impedance	Peak Inrush Current Multiple of RMS Current
15	97.70%	3.5-6.5%	12 to 15
25	98.00%		
37.5	98.20%		
50	98.31%		
75	98.50%		
100	98.60%		
150	98.68%	3.5-7%	7 to 10
167	98.70%		
200	98.80%		
250	98.80%		

Three Phase

Voltage Range 208V to 600V
150°C Temp. Rise

kVA	Efficiency at 35% of Rated Load, @75°C	Impedance	Peak Inrush Current Multiple of RMS Current
15	97.89%	1.8-6%	12 to 15
30	98.23%		
45	98.40%		
75	98.60%	2-6.5%	10 to 12
112.5	98.74%		
150	98.83%		
225	98.94%		
300	99.02%	4-7%	8 to 10
500	99.14%		

Termination Details - Aluminum & Copper

TERMINATION DETAILS - TYPE 3R

SINGLE PHASE

kVA	VOLTAGE		
	120/240	480	600
15	Lugs	Lugs	Lugs
25	Lugs	Lugs	Lugs
37	Lugs	Lugs	Lugs
50	Lugs	Lugs	Lugs
75	Lugs	Lugs	Lugs
100	Lugs	Lugs	Lugs
150	Lugs	Lugs	Lugs
200	Lugs	Lugs	Lugs
250	Lugs	Lugs	Lugs

THREE PHASE

kVA	VOLTAGE		
	208	480	600
15	Lugs	Lugs	Lugs
30	Lugs	Lugs	Lugs
45	Lugs	Lugs	Lugs
75	Lugs	Lugs	Lugs
112.5	Lugs	Lugs	Lugs
150	Lugs	Lugs	Lugs
225	Lugs	Lugs	Lugs
300	Dia 2	Dia 1B	Dia 1B
450	Dia 3*	Dia 2	Dia 2

*For copper windings use Diagram 2.

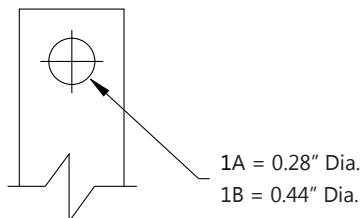


DIAGRAM 1

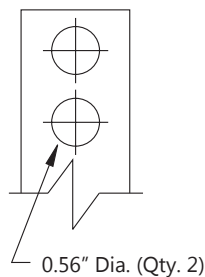


DIAGRAM 2

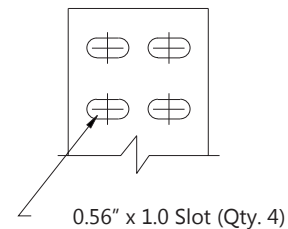
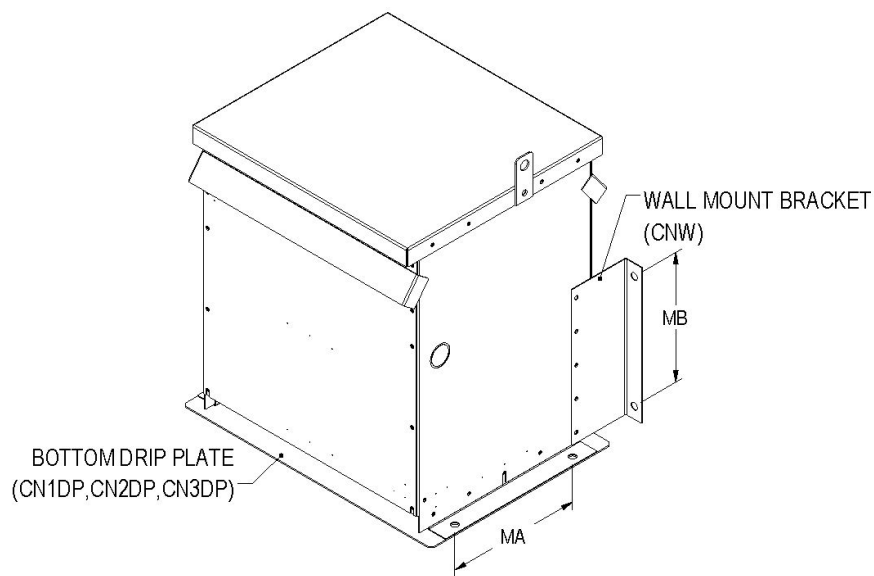


DIAGRAM 3

WALL MOUNTING KITS

The CN1, CN2 and CN3 enclosures are designed with optional wall mounting capabilities. The “MB” dimensions listed in the table below indicate the location for the wall mounting hardware. The “MA” dimensions shown in the figure indicate the locations for the drip plate mounting hardware.

Note: When mounting the CN1, CN2, or CN3 type enclosures on the wall, a bottom drip plate must also be installed as shown in the attached drawing. Please refer to CSA 22.2 No. 47-2013 requirements. The installation of these transformers above floor level without a bottom drip plate is not permitted. All mounting hardware should be rated Grade 8 or higher.



Individual Kits

MOUNTING KITS

Mounting Kit P/N	Enclosure Style	MB Dimension (inches)
CNW	CN1, CN2, CN3	10.00

DRIP PLATE KIT

Drip Plate Kit P/N	Enclosure Style	MA Dimension (inches)
CN1DP	CN1	10.50
CN2DP	CN2	10.50
CN3DP	CN3	10.50

Complete Kits

MOUNTING & DRIP PLATE KITS

Part Number	Enclosure Style	Kits Included	Part Description
CNWDP1	CN1	CNW & CN1DP	Set of wall mounting and drip plate kits
CNWDP2	CN2	CNW & CN2DP	
CNWDP3	CN3	CNW & CN3DP	

Anti-Vibration Pad & Vibration Isolator Kits

ANTI-VIBRATION PAD AND VIBRATION ISOLATOR KITS

All standard transformers come with installed internal vibration absorbing pads to minimize noise during operation. Optional external "anti-vibration" pad and "vibration isolator" (for higher noise dampening) kits can be used to reduce operating noise even further. All pads are resistant to industrial contaminants like oil, acids and alkalines.

Anti-Vibration Pad Kits

Part No.	Case Style	Description
PD1	CN1-CN6	Set of four (4) rubber anti-vibration pads which replace the standard steel enclosure washers.
PD2	CN7	



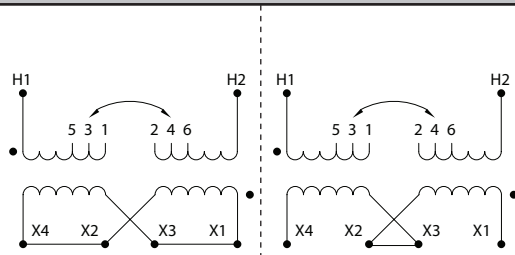
All anti-vibration pad kits and vibration isolator kits contain a set of four (4) pads or isolators. Therefore only one kit is required per transformer.

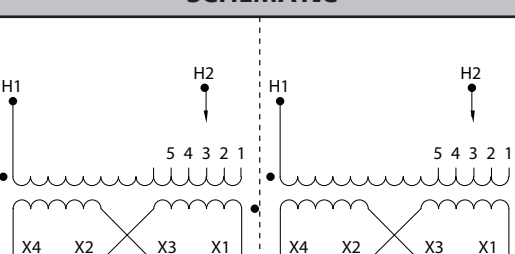
Vibration Isolator Kits

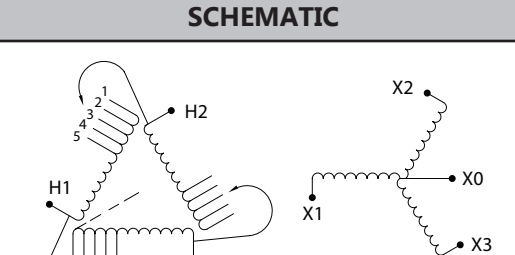
Part No.	Transformer Weight Lbs [kg]	Description
NMP1	Up to 340 lbs [154]	Set of four (4) molded neoprene and steel plate assemblies that virtually eliminate vibration noise between the transformer and the mounting surface.
NMP2	341 to 680 lbs [341 to 308]	
NMP3	681 to 1040 lbs [809 to 471]	
NMP4	1041 to 1740 lbs [472 to 789]	
NMP5	1741 to 2330 lbs [789 to 1056]	
NMP6	2331 to 3450 lbs [1057 to 1564]	
NMP7	3451 to 4690 lbs [1565 to 2127]	

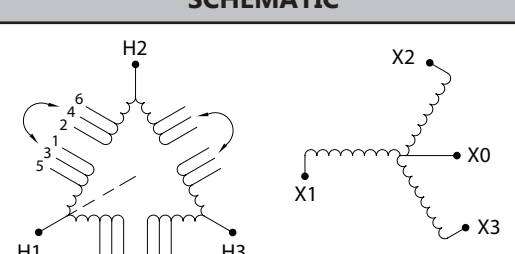


All anti-vibration pad kits and vibration isolator kits contain a set of four (4) pads or isolators. Therefore only one kit is required per transformer.

SCHEMATIC		CONNECTIONS			
	% Voltage	Primary Volts		Connect lines to	Inter-connect
	105.0%	504	630	H1, H2	1-2
	102.5%	492	615	H1, H2	2-3
	100.0%	480	600	H1, H2	3-4
	97.5%	468	585	H1, H2	4-5
95.0%	456	570	H1, H2	5-6	
	Secondary Volts		Connect lines to	Inter-connect	
	240		X1, X4	X2-X3	
	120		X1 & X3, X2 & X4	X2-X4, X1-X3	
	120/240		X1, X2, X4	X2-X3	

SCHEMATIC		CONNECTIONS			
	% Voltage	Primary Volts		Connect lines to	Inter-connect
	105.0%	504	630	H1, H2	1
	102.5%	492	615	H1, H2	2
	100.0%	480	600	H1, H2	3
	97.5%	468	585	H1, H2	4
95.0%	456	570	H1, H2	5	
	Secondary Volts		Connect lines to	Inter-connect	
	240		X1, X4	X2-X3	
	120		X1 & X3, X2 & X4	X2-X4, X1-X3	
	120/240		X1, X2, X4	X2-X3	

SCHEMATIC		CONNECTIONS			
	% Voltage	Primary Volts		Connect lines to	Inter-connect
	105.0%	504	630	H1, H2, H3	1
	102.5%	492	615	H1, H2, H3	2
	100.0%	480	600	H1, H2, H3	3
	97.5%	468	585	H1, H2, H3	4
95.0%	456	570	H1, H2, H3	5	
	Secondary Volts		Connect lines to		
	208		X1, X2, X3		
	120		X1,X0 X2,X0 X3,X0		

SCHEMATIC		CONNECTIONS			
	% Voltage	Primary Volts		Connect lines to	Inter-connect
	105.0%	630		H1, H2, H3	1-2
	102.5%	516		H1, H2, H3	2-3
	100.0%	600		H1, H2, H3	3-4
	97.5%	585		H1, H2, H3	4-5
95.0%	570		H1, H2, H3	5-6	
	Secondary Volts		Connect lines to		
	208		X1, X2, X3		
	120		X1,X0 X2,X0 X3,X0		



CANADA



UNITED STATES



MEXICO



ASIA

CANADA

Hammond Power Solutions
595 Southgate Drive
Guelph, Ontario N1G 3W6
Tel: (519) 822-2441
Fax: (519) 822-9701
Toll Free: 1-888-798-8882
sales@hammondpowersolutions.com

UNITED STATES

Hammond Power Solutions
1100 Lake Street
Baraboo, Wisconsin 53913-2866
Tel: (608) 356-3921
Fax: (608) 355-7623
Toll Free: 1-866-705-4684
sales@hammondpowersolutions.com

MEXICO

Hammond Power Solutions Latin America S.
Av. No. 800, Parque Industrial Guadalupe
Guadalupe, NL, Mexico, C.P. 67190.
Tel: (819) 690-8000
sales@hammondpowersolutions.com

ASIA

Hammond Power Solutions Pvt. Ltd.
Plot No 6A, Phase -1, IDA, Pashamylaram,
Patancheru (M) Sangareddy, 502 307, India
Tel: +91-994-995-0009
marketing-india@hammondpowersolutions.com

EMEA (Sales Office)

Hammond Power Solutions SpA
Tel: +49 (152) 08800468
sales-emea@hammondpowersolutions.com