

SUBMITTAL DATA SHEET



Multi Zone Heat Pump	
Location: _____	Approval: _____
Engineer: _____	Date: _____
Submitted to: _____	Construction: _____
Submitted by: _____	Unit #: _____
Reference: _____	Drawing #: _____

Outdoor unit code	22022316001645		
Outdoor unit model	BMM36HHC		
Certified	AHRI		
	UL		



SYSTEM PERFORMANCE DATA

Power supply			
Normal Operational Voltage	(V, Ph, Hz)	208/230V, 1Ph, 60Hz	
Voltage Range	(V)	187-253	
Electrical			
Minimum circuit ampacity	(A)	40.0	
Max.fuse	(A)	60.0	
Connection wiring		14AWG*4 Stranded, unshielded	
Cooling			
Capacity	(Btu/h)	36000(15600~41500)	
Power Input	(W)	2880(1150~3780)	
Current	(A)	13.18(5.2~16.6)	
SEER2	(Btu/W)	20.0	
EER2	(Btu/W)	12.5	
Heating			
Capacity	(Btu/h)	37000(20000~51000)	
Power Input	(W)	3098(1510~5400)	
Current	(A)	13.4(6.75~24.2)	
HSPF2-4	(Btu/W)	9.7	
HSPF2-5	(Btu/W)	7.9	
COP	W/W	3.50	
Heat at 17F(H32)	(Btu/h)	35000	
Heat at 5F(H42)	(Btu/h)	36000	
COP at 5F(H42)	W/W	1.90	

REFRIGERANT PIPE DATA

Design pressure	(PSIG)	550/340
Refrigerant Type		R410A
Refrigerant charge	oz	162.0
Refrigerant precharge	(ft)	25x4
Additional charge for each ft (Φ6.35 (1/4") liquid pipe)	(oz/ft)	0.16
Additional charge for each ft (Φ9.52 (3/8") liquid pipe)	(oz/ft)	0.32
Liquid side	(inch)	4x1/4"
	(mm)	4x6.35
Gas side	(inch)	2x3/8"+2x1/2"
	(mm)	2x9.52+2x12.7
Max. length for all rooms	(ft)	262.5
	(m)	80.0
Max. length for one indoor unit	(ft)	114.8
	(m)	35.0
Max. height difference between indoor and outdoor unit	(ft)	49.2
	(m)	15.0
Max. height difference between indoor units	(ft)	33.0
	(m)	10.0

OUTDOOR UNIT DATA

Outdoor(cooling)	(Deg. °F)	5~122
	(Deg. °C)	-15~50
Outdoor(heating)	(Deg. °F)	-22~75
	(Deg. °C)	-30~24

COMPRESSOR

Type	ROTARY	
Model	ATQ360D1UMU	
Brand	GMCC	
Capacity	(Btu/h)	38214
Input	(W)	3040
Rated current (RLA)	(A)	24
Refrigerant oil/oil charge	(ml)	VG74/1400

OUTDOOR FAN MOTOR

Model	ZKFN-85-8-22-5	
Qty	2	
Input	(W)	126.00
Output	(W)	85.00
RLA	(A)	2.50
Speed	(r/min)	900/850/800/750

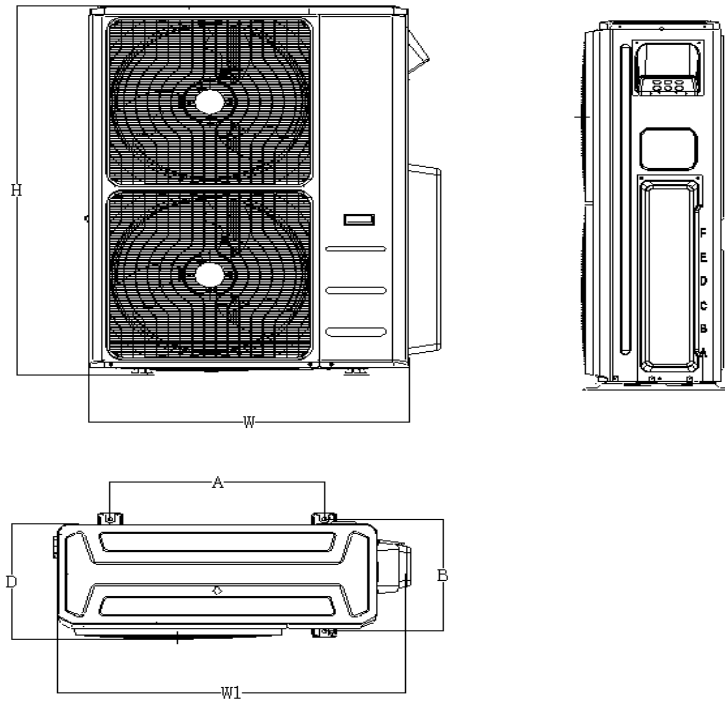
AIR FLOW & NOISE LEVEL

Outdoor air flow (Max.)	(CFM)	4500.00
Outdoor noise level	[dB(A)]	62.00

OUTDOOR UNIT

Dimension (W×D×H)	(inch)	37.48x16.34x52.48
	(mm)	952x415x1333
Packing (W×D×H)	(inch)	43.11x19.49x58.27
	(mm)	1095x495x1480
Net/ Gross weight	(lbs.)	223.11/253.97
	(kg)	101.2/115.2

Outdoor unit dimension



Unit	W	D	H	W1	A	B
mm	952	415	1333	1060	634	404
inch	37.5	16.3	52.5	41.7	25.0	15.9