

How To Use The McDaniel Metals CATALOG and PRODUCT GUIDE

1	●	ACCESSORY SELECTION TABLES	section 1 1 page
2	●	PRICING	section 2 1 page
3	●	CURBS	section 3 1 page
4	●	ECONOMIZERS	section 4 1 page
5	●	CONCENTRICS	section 5 1 page
6	●	DAMPERS/MISC.	section 6 1 page
7	●	FILTER HOUSINGS	section 7 1 page



McDANIEL METALS McDANIEL METALS McDANIEL METALS

"Hello, and Thank You from McDaniel Metals"

January 1, 2000 •

Please note the following:

- ① New PC Accessories**
- ② Old PC Obsolete**
- ③ Filter Bases And Other Accessories Available**
- ④ New PC Selection Table**
- ⑤ Accessory Description, Weights And UPS Suitability**
- ⑥ Check Out Our Generous Freight Policy - Section 2 Page 2**

If you have any questions or ideas on how we may better serve you, please do not hesitate to call me.

Sincerely,



Bill McDaniel
Owner/McDaniel Metals

**ACCESSORY SELECTION TABLE AND CHASSIS IDENTIFICATION FOR
GOODMAN 2 - 15 TON PACKAGE ROOFTOP UNITS**

MODEL	DESCRIPTION	CHASSIS				
		#1	#2	#3	#5A	#5B
PGC-1	ROOF CURB	•				
PGC-2	ROOF CURB		•			
PGC-3	ROOF CURB			•		
PGC-5	ROOF CURB				•	•
PGP-5	4' PLENUM DROPS WITH CAPS				•	•
PGED-1	DOWNFLOW ECONOMIZER	•				
PGED-2	DOWNFLOW ECONOMIZER		•			
PGED-3	DOWNFLOW ECONOMIZER			•		
PGED090/102-5	DOWNFLOW ECONOMIZER				•	
PGED120/180-5	DOWNFLOW ECONOMIZER					•
PGEH-1	HORIZONTAL ECONOMIZER	•				
PGEH-2	HORIZONTAL ECONOMIZER		•			
PGEH-3	HORIZONTAL ECONOMIZER			•		
PGEH090/102-5	HORIZONTAL ECONOMIZER				•	
PGEH120/180-5	HORIZONTAL ECONOMIZER					•
PGMD1-3	MANUAL FRESH AIR DAMPER	•	•	•		
PGMD-5	MANUAL FRESH AIR DAMPER				•	•
PGMDM1-3	MOTORIZED FRESH AIR DAMPER	•	•	•		
PGMDM-5	MOTORIZED FRESH AIR DAMPER				•	•
SQRPG-1	SQUARE TO ROUND CONVERTER	•				
SQRPG-2	SQUARE TO ROUND CONVERTER		•			
SQRPG-3	SQUARE TO ROUND CONVERTER			•		
SQRPG090-5	SQUARE TO ROUND CONVERTER				•	
CDK1-2	CONCENTRIC CONVERTER	•	•			
CDK-3	CONCENTRIC CONVERTER			•		
CDK90	CONCENTRIC CONVERTER				•	
CDK120	CONCENTRIC CONVERTER					•
PGCT120-5	CONCENTRIC TRANSITION					•
PGFR-1	DOWNFLOW FILTER RACK	•				
PGFR-2	DOWNFLOW FILTER RACK		•			
PGFR-3	DOWNFLOW FILTER RACK			•		
PGHDK090/102-5	HORIZONTAL DUCT KIT				•	
PGHDK120/180-5	HORIZONTAL DUCT KIT					•

**ACCESSORY SELECTION TABLE AND CHASSIS IDENTIFICATION FOR
GOODMAN 2 - 15 TON PACKAGE ROOFTOP UNITS (CON'T)**

	CHASSIS #2	CHASSIS #3
	PG024XXX	PG042XXX
	PG030XXX	PG048XXX
PG/PGX	PG036XXX	PG060XXX
SERIES	PGX024XXX	PGX042XXX
	PGX030XXX	PGX048XXX
	PGX036XXX	PGX060XXX

XXX - ALL HEATING INPUTS

	CHASSIS #2	CHASSIS #3
PGJ	PGJ024XXX	PGJ036XXX
SERIES	PGJ030XXX	PGJ042XXX
		PGJ048XXX

XXX - ALL HEATING INPUTS

	CHASSIS #4
	PG090
PG/PC	PG120
SERIES	PC090
	PC120

	CHASSIS #1	CHASSIS #2	CHASSIS #3
			PGB042125
			PGB048075
	PGB024050		PGB048100
PGB	PGB024075		PGB048125
SERIES	PGB030050	PGB030100	PGB048150
	PGB030075	PGB036100	PGB060100
	PGB036050	PGB042075	PGB060125
	PGB036075	PGB042100	PGB060150

	CHASSIS #5A	CHASSIS #5B
		PGB120XXX
	PGB090XXX	PGB150XXX
PGB/PCB	PGB102XXX	PGB180XXX
SERIES	PCB090	PCB120
	PCB102	PCB150
		PCB180

XXX - ALL HEATING INPUTS

	CHASSIS #1	CHASSIS #2	CHASSIS #3
PHB	PHB024	PHB036	PHB042
SERIES	PHB030		PHB048
			PHB060

ACCESSORY REFERENCE LIST PCK / PCKJ / PHK / PHKJ - 2-5 TON PACKAGE ROOFTOP UNITS

PCK CHASSIS SIZES

SMALL	MEDIUM	LARGE
PCK024-1	PCK042-X	PCK060-X
PCK030-1	PCK048-X	
PCK036-X		

PHK CHASSIS SIZES

SMALL	MEDIUM	LARGE
PHK024-1	PHK036-X	PHK042-1
PHK030-1		PHK048-X
		PHK060-X

PCKJ CHASSIS SIZES

SMALL	MEDIUM	LARGE
PCKJ024-1	PCKJ036-1	PCKJ048-1
PCKJ030-1	PCKJ042-1	PCKJ060-1

PHJK CHASSIS SIZES

SMALL	MEDIUM	LARGE
	PHJK024-1	PHJK036-1
	PHJK030-1	PHJK048-1
		PHJK060-1



NOTE: X is All Electronics Designations

ACCESSORIES

	SMALL	MEDIUM	LARGE
Roof Curb	PCCP-1	PCCP2-3	PCCP2-3
Down Flow Plenum	PCP-1	PCP2-3	PCP2-3
Manual Fresh Air Damper	PCMD-1	PCMD2-3	PCMD2-3
Economizer - Down Flow	PCE-1	PCE2-3	PCE2-3
Square to Round Converter (Down Flow)	SQRPC-1	SQRPC2-3	SQRPC2-3
Square to Round Converter (Horizontal)	SQRPCH-1	SQRPCH-2	SQRPCH-3
Elbow & Flashing	PCEF-1	PCEF2-3	PCEF2-3



NOTE: Down Flow Plenum includes Filter Rack

ACCESSORIES FOR PGB 2-15 TON

MODEL #	DESCRIPTION	WEIGHT
PGC-1	ROOF CURB	52*
PGC-2	ROOF CURB	57*
PGC-3	ROOF CURB	67*
PGC-5	ROOF CURB	109*
PGP-5	4' PLENUM DROPS	135
PGED-1	DOWNFLOW ECONOMIZER	49*
PGED-2	DOWNFLOW ECONOMIZER	51*
PGED-3	DOWNFLOW ECONOMIZER	62
PGED090/102-5	DOWNFLOW ECONOMIZER	78
PGED120/180-5	DOWNFLOW ECONOMIZER	101
PGEH-1	HORIZONTAL ECONOMIZER	69
PGEH-2	HORIZONTAL ECONOMIZER	69
PGEH-3	HORIZONTAL ECONOMIZER	83
PGEH090/102-5	HORIZONTAL ECONOMIZER	90
PGEH120/180-5	HORIZONTAL ECONOMIZER	115
PGMD 1-3	25% MANUAL FRESH AIR DAMPER	8*
PGMD-5	25% MANUAL FRESH AIR DAMPER	13*
PGMDM 1-3	25% MOTORIZED FRESH AIR DAMPER	10*
PGMDM-5	25% MOTORIZED FRESH AIR DAMPER	14*
CDK 1-2	CONCENTRIC DUCT KIT	35*
CDK-3	CONCENTRIC DUCT KIT	35*
CDK 90	CONCENTRIC DUCT KIT	55
CDK 120	CONCENTRIC DUCT KIT	160
CDK 150	CONCENTRIC DUCT KIT	190
CDK 180	CONCENTRIC DUCT KIT	225
PGHDK090/102-5	HORIZONTAL DUCT KIT	37*
PGHDK120/180-5	HORIZONTAL DUCT KIT	40*

ACCESSORIES FOR PGB 2-15 TON (Cont.)

MODEL #	DESCRIPTION	WEIGHT
SQRPG-1	SQUARE TO ROUND CONVERTER	10*
SQRPG-2	SQUARE TO ROUND CONVERTER	10*
SQRPG-3	SQUARE TO ROUND CONVERTER	15*
SQRPG090-5	SQUARE TO ROUND CONVERTER	25*
PGFR-1	DOWNFLOW FILTER RACK	10*
PGFR-2	DOWNFLOW FILTER RACK	10*
PGFR-3	DOWNFLOW FILTER RACK	10*
PGCT-5	CONCENTRIC TRANSITION	12

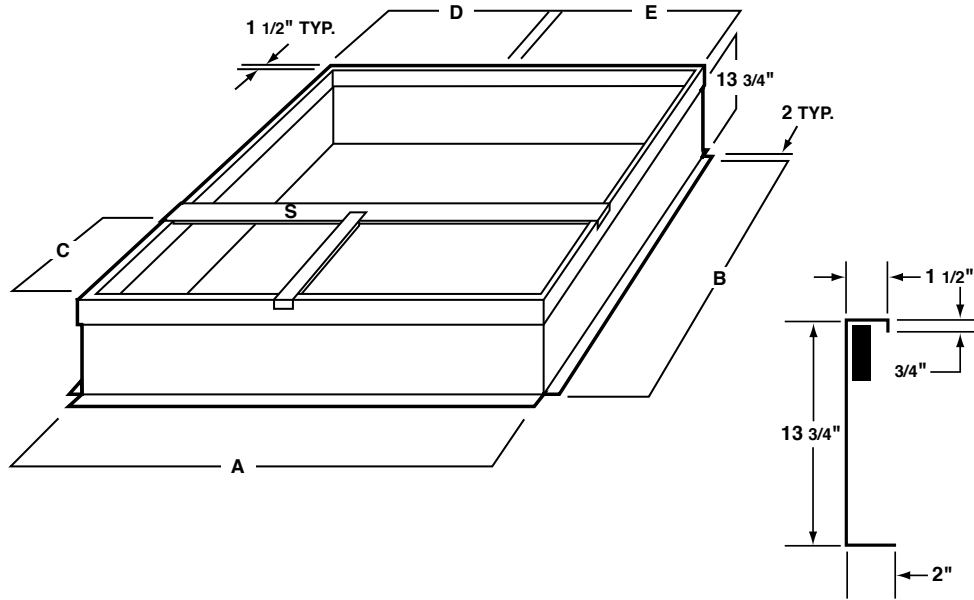
ACCESSORIES FOR PCK/PHK 2-5 TON

MODEL #	DESCRIPTION	WEIGHT
PCP-1	PLENUM	64
PCCP-1	CURB & PLATFORM	78
PCE-1	FULLY MODULATING ECONOMIZER (SLIDE IN)	37*
PCMD-1	MANUAL DAMPER	10*
PCMDM-1	MOTORIZED DAMPER	12*
CDK1-2	CONCENTRIC DUCT KIT	35*
SQRPC-1	SQUARE TO ROUND CONVERTER(DOWNFLOW)	17*
SQRPCH-1	SQUARE TO ROUND CONVERTOR - HORIZ. DISCHARGE	6*
PCEF-1	ELBOW & FLASHING	43
PCP2-3	PLENUM	65
PCCP 2-3	CURB & PLATFORM	99
PCE 2-3	FULLY MODULATING ECONOMIZER (SLIDE IN)	39*
PCMD 2-3	25% MANUAL FRESH AIR DAMPER	13*
PCMDM2-3	25% MOTORIZED FRESH AIR DAMPER	15*
CDK-3	CONCENTRIC DUCT KIT	35*
SQRPC2-3	SQUARE TO ROUND CONVERTER (DOWNFLOW)	18*
SQRPCH-2	SQUARE TO ROUND CONVERTER - HORIZ. DISCHARGE	7*
SQRPCH-3	SQUARE TO ROUND CONVERTER - HORIZ. DISCHARGE	8*
PCEF2-3	ELBOW & FLASHING	50



* CAN BE SHIPPED BY UNITED PARCEL SERVICE

**PGC-1, -2, & -3 ROOF CURBS
FOR GOODMAN PGB, PHB, PGJ / 024 - 060 PACKAGE UNITS**



MODEL	A	B	C	D	E
PGC-1	34	46.625	15.25	15	18
PGC-2	39	46.625	15.25	17	21
PGC-3	53.75	50.75	17.25	25.375	27.375

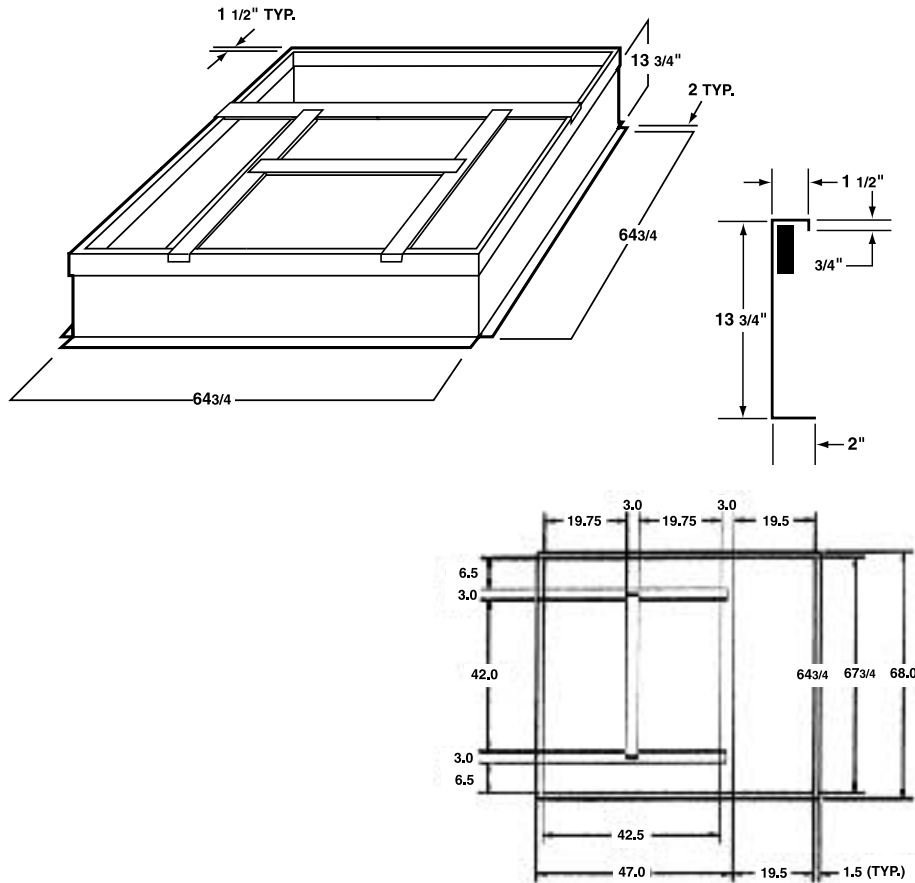
ROOF CURB

Constructed of minimum, 18 gauge galvanized steel.
Features a 1" x 4" wood runner permanently attached to the top of the curb.
Shipped unassembled with all hardware and instructions necessary for installation.



NOTE: DUCT SIZE SHOULD BE 3/8" LESS THAN O.D. OF DUCT OPENING.

PGC-5 ROOF CURB FOR GOODMAN PGB(PCB)090 - 180 PACKAGE UNITS



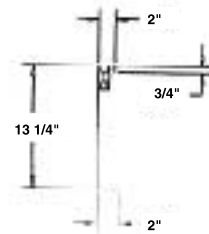
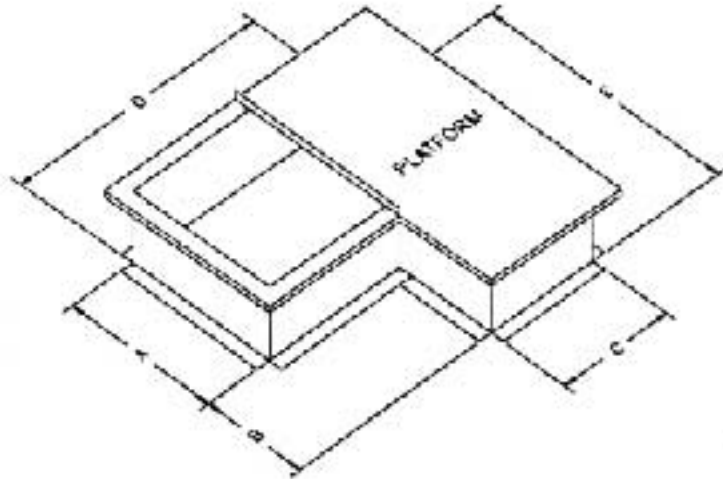
SPECIFICATIONS:

- 1) Constructed of 16 gauge galvanized steel.
- 2) Features a 1" x 4" wood runner permanently attached to the top of the curb.
- 3) Curb is square, duct supports fit in any direction. Unit can be positioned on curb in four directions.
- 4) Shipped unassembled with all hardware and instructions necessary for installation.



NOTE: DUCT SIZE SHOULD BE 1/2" LESS THAN O.D. OF DUCT OPENING.
RECOMMENDED DUCT SIZE: 41-1/2" X 19-1/4".

**CURB & PLATFORM FOR GOODMAN
PCK/PHK 024-060**



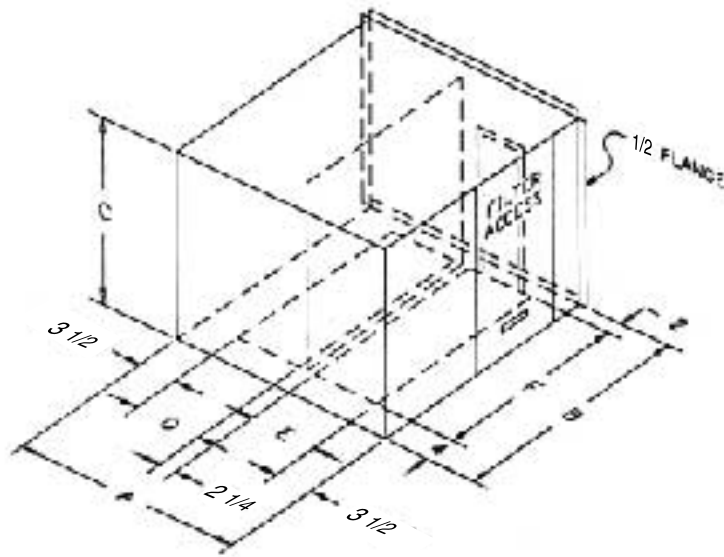
MODEL	A	B	C	D	E	PLATFORM
PCCP-1	23.625	21.125	17	46	44.75	48.75 X 21
PCCP 2-3	29.375	22.125	25	54	51.5	55.5 X 29

ROOF CURB

Constructed of minimum, 18 gauge galvanized steel
 Features a 1" x 4" wood runner permanently attached to the top of the curb.
 Shipped unassembled with all hardware and instructions necessary for
 installation.

**PCP-1, PCP 2-3
PLENUM FOR PCK & PHK 024-060**

APPLICATION: For Use With PCCP Curb & Platform

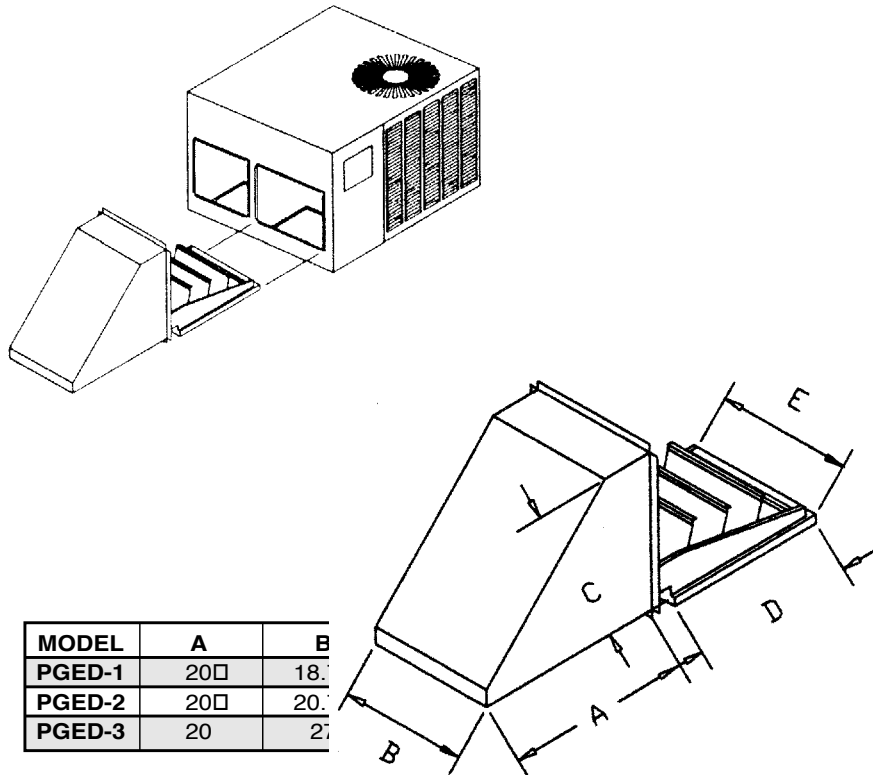


MODEL	A	B	C	D	E	F	FILTER
PCP-1	28.5	30	25.75	8	11.5	24	16 X 20
PCP 2-3	34.5	30	30	11	14.5	24	20 X 25

**PGED-1, -2, -3
DOWNFLOW ECONOMIZER
FOR GOODMAN PGB/PHB/PGJ-024 - 60 PACKAGE UNITS**

SPECIFICATIONS:

1. Fully modulating spring return 24 VAC motor.
2. Provides up to 100% fresh air.
3. Fully assembled and factory wired.
4. Integral barometric relief. (25%)
5. Painted to match unit.
6. Adjustable enthalpy type.
7. Adjustable mixed air temperature and minimum fresh air.
8. Plugs into receptacle in unit, no field wiring.
9. Replaces horizontal duct panel.
10. All installation hardware and instructions included.

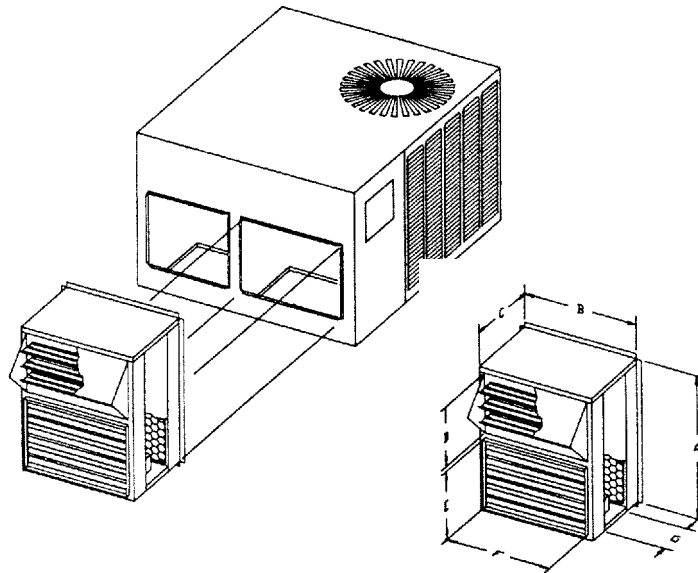


MODEL	A	B
PGED-1	20□	18.
PGED-2	20□	20.
PGED-3	20	2.

**PGEH-1, -2, -3
HORIZONTAL ECONOMIZER
FOR GOODMAN PGB/PGJ & PHB-024 - 60 PACKAGE UNITS**

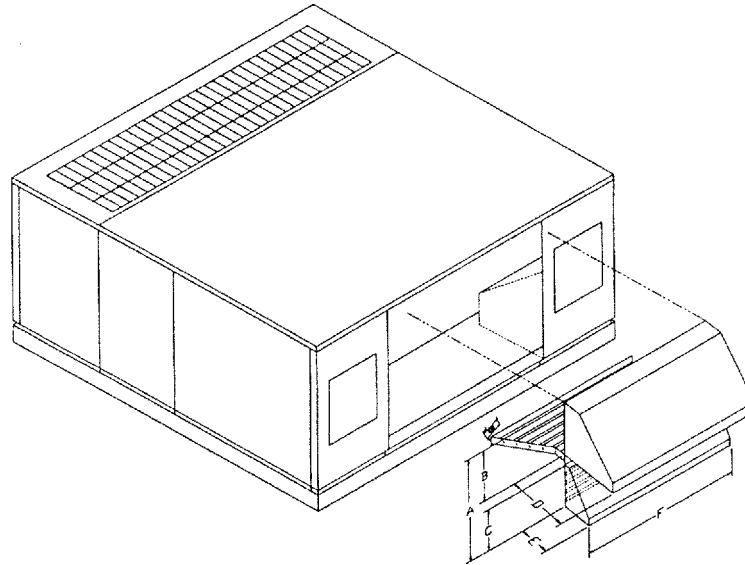
SPECIFICATIONS:

1. Fully modulating spring return 24 VAC motor.
2. Provides up to 100% fresh air.
3. Fully assembled and factory wired.
4. Adjustable enthalpy type.
5. Adjustable mixed air temperature and minimum fresh air.
6. Plugs into receptacle in unit, no field wiring.
7. Replaces horizontal duct panel.
8. All installation hardware and instructions included.



MODEL	A	B	C	D	E	F	G
PGEH-1	29	20.5	16	12	13.5	18.5	9.25
PGEH-2	29	22.5	16	12	13.5	20.5	9.25
PGEH-3	31	28.75	16	13	14.5	26.625	9.25

**PGED090/102-5 & PGED120/180-5
DOWNFLOW ECONOMIZERS
FOR GOODMAN PGB(PCB)090 - 180 PACKAGE UNITS**

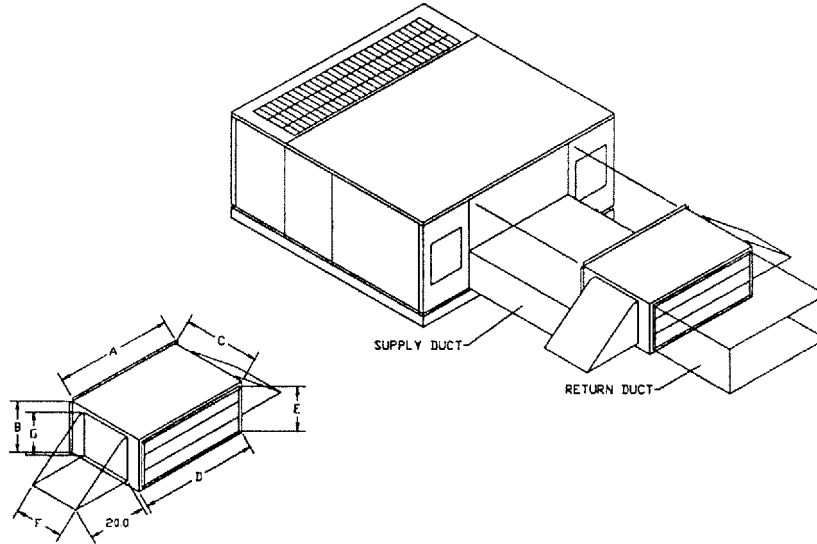


MODEL	A	B	C	D	E	F
PGED090/102-5	32□	15.625□	13.375□	16□	8□	40□
PGED120/180-5	48	21.875	23.250	19	10.375	40

SPECIFICATIONS:

1. Fully modulating Economizer Package with 24 VAC damper motor and spring return.
2. Provides up to 100% fresh air.
3. Fully assembled and factory wired.
4. Integral barometric relief. (100%)
5. Painted to match unit.
6. Adjustable enthalpy type.
7. Adjustable mixed air temperature and minimum fresh air.
8. Plugs into receptacle in unit.
9. Replaces center access panel.
10. All installation hardware and instructions included.

**PGEH090/102-5 & PGEH120/180-5
HORIZONTAL ECONOMIZERS
FOR GOODMAN PGB(PCB)090 - 180 PACKAGE UNITS**



MODEL	A	B	C	D	E	F	G
PGEH090/102-5	40.125□	17.5□	26□	38.125□	15.5□	18□	15□
PGEH120/180-5	40.125	25.75	26	38.125	23.375	18	18

SPECIFICATIONS:

1. Fully modulating Economizer Package with 24 VAC damper motor and spring return.
2. Provides up to 100% fresh air.
3. Fully assembled and factory wired.
4. Adjustable enthalpy type.
5. Adjustable mixed air temperature and minimum fresh air.
6. Plugs into receptacle in unit.
7. Replaces center access panel after unit has been converted to horizontal discharge.
8. All installation hardware and instructions included.

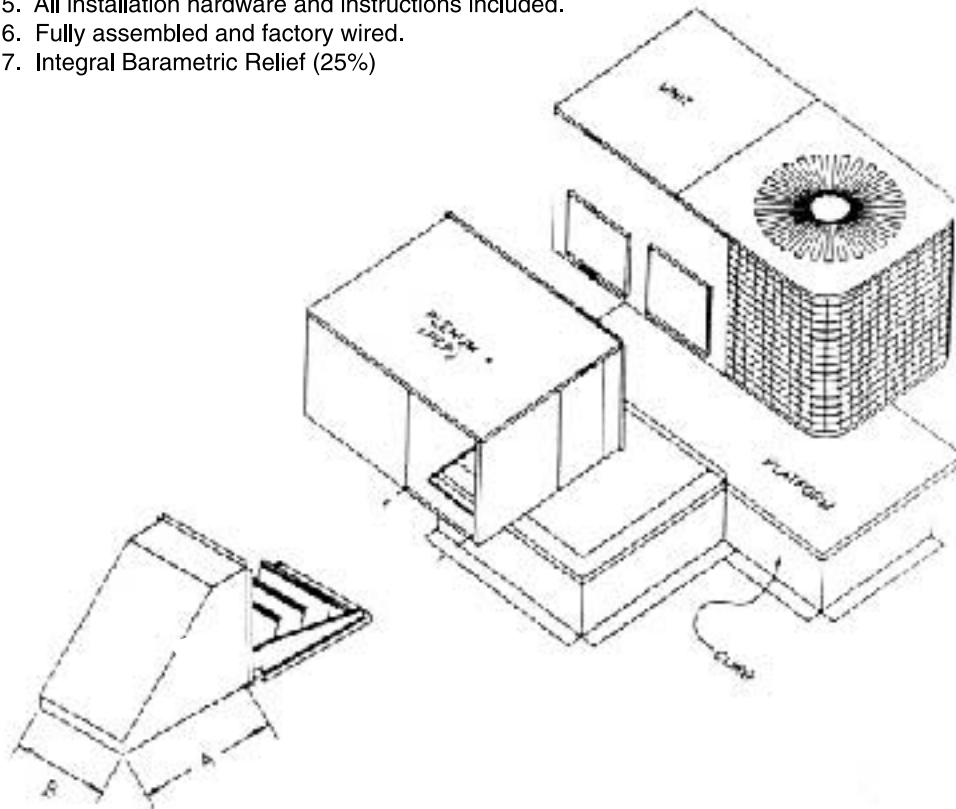


NOTE: Requires Horizontal Conversion Kit (PGHDK).

**PCE-1, PCE 2-3
ECONOMIZER FOR GOODMAN PCK/PHK 024-060 UNITS**

SPECIFICATIONS:

1. Fully modulating spring return 24 VAC motor.
2. Provides up to 100% fresh air.
3. Adjustable enthalpy type.
4. Adjustable mixed air temperature and minimum fresh air.
5. All installation hardware and instructions included.
6. Fully assembled and factory wired.
7. Integral Barometric Relief (25%)



MODEL	A	B
PCE-1	20	14 ³ / ₄
PCE 2-3	20	18 ³ / ₄

510 SERIES - FLUSH MOUNT CONCENTRIC DIFFUSER SYSTEM



**LIGHT COMMERCIAL
"T" BAR CEILING**



**COMMERCIAL
"T" BAR CEILING**

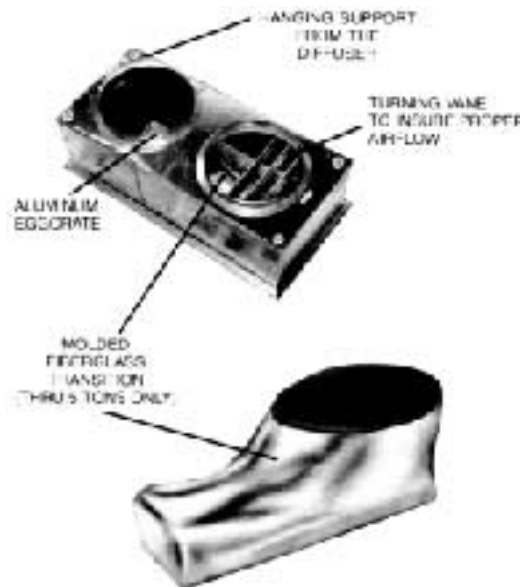
510 SERIES concentric diffuser systems are designed to provide a single point air distribution system. The systems may be used with either a "T-Bar" ceiling or a plaster ceiling.

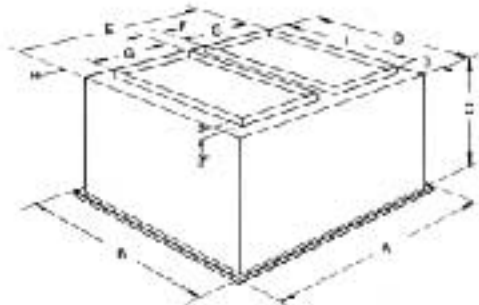
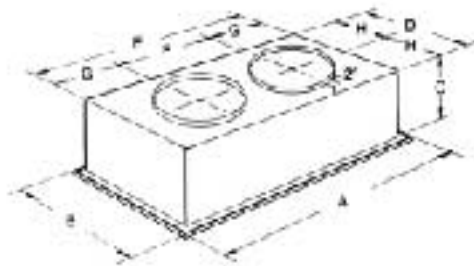
Standard features include:

1. All aluminum diffuser with aluminum return air eggcrate.
2. Built-in Anti-Sweat gasket.
3. Molded Fiberglass Transition (through five tons).
4. Built-in hanging supports.
5. Diffuser box constructed of fiberglass ductboard (through 7.5 tons) or sheetmetal.

Standard benefits include:

1. Even four (4) way airflow.
2. Lightweight design.
3. Factory assembled and sealed.
4. Guaranteed not to "sweat".
5. Guaranteed not to recirculate air flow (short cycle).
6. Return air eggcrate is easily removed.
7. Units are fully insulated (both supply and return).

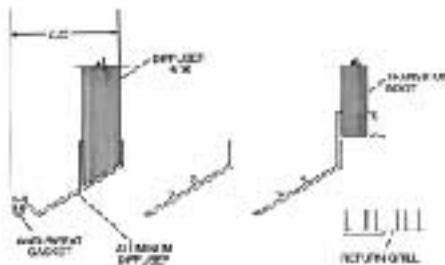




DIMENSIONAL DATA

MODEL NO	A	B	C	D	E	F	G	H	I	J	DUCT SIZE
CDK 1-2	47 ^{5/8}	23 ^{5/8}	13 ^{1/2}	21	45	22 ^{1/2}	11 ^{1/4}	10 ^{1/2}	-	-	16RD
CDK 3	47 ^{5/8}	23 ^{5/8}	13 ^{1/2}	21	45	22 ^{1/2}	11 ^{1/4}	10 ^{1/2}	-	-	18RD
CDK90-210	47 ^{5/8}	29 ^{5/8}	16 ^{5/8}	27	45	22 ^{1/2}	11 ^{1/4}	13 ^{1/2}	-	-	20RD

MODEL NO	A	B	C	D	E	F	G	H	I	J	DUCT SIZE
CDK 120-510	47 ^{5/8}	35 ^{5/8}	23 ^{1/4}	33	45	4 ^{1/2}	18	2 ^{1/4}	28	2 ^{1/2}	18x28
CDK 150-510	47 ^{5/8}	41 ^{5/8}	29 ^{1/4}	39	45	4 ^{1/2}	18	2 ^{1/4}	32	3 ^{1/4}	18x32
CDK180-510	47 ^{5/8}	47 ^{5/8}	29 ^{1/4}	45	45	4 ^{1/2}	18	2 ^{1/4}	36	4 ^{1/2}	18x36
CDK 140-510	59 ^{5/8}	59 ^{5/8}	35 ^{1/4}	57	57	4 ^{1/2}	24	2 ^{1/4}	48	4 ^{1/2}	24x48
CDK 300-510	59 ^{5/8}	59 ^{5/8}	35 ^{1/4}	57	57	4 ^{1/2}	24	2 ^{1/4}	54	1 ^{1/2}	24x54



TYPICAL SPECIFICATIONS

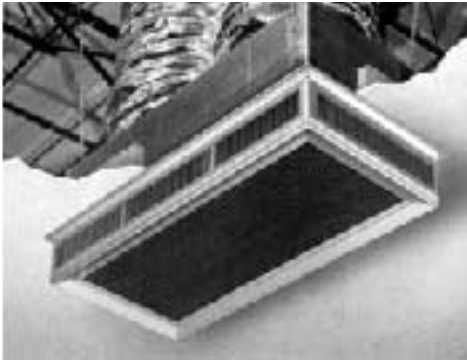
Furnish and install McDaniel Metals, Inc. "510 SERIES" concentric diffuser systems. The system shall consist of an aluminum supply diffuser with an aluminum eggcrate return. It shall also have a permanent (not adhesive) anti-sweat gasket and hanging supports. All units that are five (5) tons and smaller shall have a molded fiberglass interior transition.

**510 SERIES CONCENTRIC DIFFUSER
ENGINEERING DATA**

PART No	CFM	Statistic Pressure	Throw Feet	Neck Vel.	Jet Vel.	Noise Level
CDK 24/36-510 (CDK 1-2)	600	.09	10-14	234	417	18
	800	.11	12-18	313□	556□	20
	1000	.14	15-20	391□	694□	20
	1200	.17	16-22	469□	833□	25
	1400	.20	17-24	547□	972□	30□
	1000	.14	15-20	391□	694□	20□
CDK 42/60-510 (CDK 3)	1200	.17	16-22	469□	833□	25□
	1400	.20	17-24	547□	972□	30□
	1600	.24	18-25	625□	1111□	30□
	1800	.30	20-28	703□	1250□	35□
	2000	.36	21-29	781□	1389□	40□
	2200	.40	22-30	859□	1528□	40□
CDK 90-510	2600	.17	19-24	663□	1294□	30□
	2800	.20	20-28	714□	1393□	35□
	3000	.25	21-29	765□	1492□	35□
	3200	.31	22-29	816□	1592□	40□
	3400	.37	22-30	867□	1692□	40□
	3600	.17	22-29	844□	1646□	35□
CDK 120-510	3800	.18	22-30	891	1737□	40□
	4000	.21	24-33	938□	1829□	40□
	4200	.24	26-35	985□	1920□	40□
	4400	.27	28-37	1032□	2011□	40□
	4600	.31	25-34	922□	1795□	40□
	4800	.32	26-35	962□	1873□	40□
CDK 150-510	5000	.34	27-36	1002□	1951□	40□
	5200	.36	30-39	1043□	2029□	45□
	5400	.39	32-41	1083□	2107□	45□
	5600	.36	28-37	1000□	2082□	45□
	5800	.39	29-38	1036□	2156□	45□
	6000	.42	40-50	1071□	2230□	45□
CDK 180-510	6200	.46	42-51	1107□	2308□	50□
	6400	.50	43-52	1143□	2379□	50□
	6600	.54	45-56	1179□	2454□	50□
	7200	.39	26-35	996□	2093□	45□
	7400	.41	28-37	1024□	2151□	45□
	7600	.43	29-38	1051□	2209□	45□
CDK 240-510	7800	.47	40-50	1079□	2276□	45□
	8000	.50	42-51	1107□	2326□	50□
	8200	.53	43-52	1134□	2384□	50□
	8400	.56	44-54	1162□	2442□	50□
	8600	.59	46-57	1189□	2500□	50□
	8800	.63	48-59	1217□	2558□	50□
CDK 300-510	9400	.39	30-40	1014□	2114□	45□
	9600	.41	32-41	1036□	2159□	45□
	9800	.43	35-43	1057□	2204□	45□
	10000	.45	37-46	1079□	2249□	45□
	10200	.47	40-50	1101□	2294□	45□
	10400	.50	42-51	1122□	2339□	50□
10600	.53	43-53	1144□	2384□	50□	

Notes: 1. All data is based on the Air Diffusion Council Guidelines
 2. Throw data is based on Terminal Velocities of 75 FPM using isothermal air
 3. Actual noise levels are less than those shown.

530 SERIES - SIDE DISCHARGE CONCENTRIC DIFFUSER SYSTEM



**LIGHT COMMERCIAL
PLASTER CEILING**



**COMMERCIAL
"T" BAR CEILING**

530 SERIES concentric diffuser systems are designed to provide a single point air distribution system with the added benefit of having directional air control. The systems may be used with either a "T-Bar" ceiling or a plaster ceiling.

Standard features include:

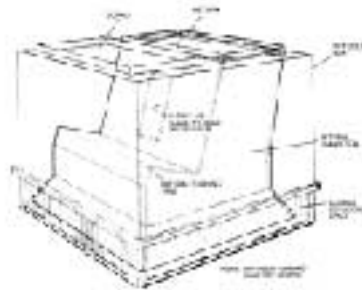
1. All aluminum diffuser with aluminum return air eggcrate.
2. Double deflection diffuser with the blades secured by spring steel.
3. Built-in Anti-Sweat gasket.
4. Molded Fiberglass Transition (through five tons).
5. Built-in hanging supports.
6. Diffuser box constructed of fiberglass ductboard (through 7.5 tons) or sheetmetal.

Standard benefits include:

1. Even four (4) way airflow.
2. All exposed surfaces (below ceiling) are brushed aluminum.
3. Factory assembled and sealed.
4. Guaranteed not to "sweat".
5. Guaranteed not to recirculate air flow (short cycle).
6. Return air eggcrate is easily removed.
7. Units are fully insulated (both supply and return).
8. Lightweight design.



**MOLDED FIBERGLASS
TRANSITION
(THRU 5 TONS ONLY)**





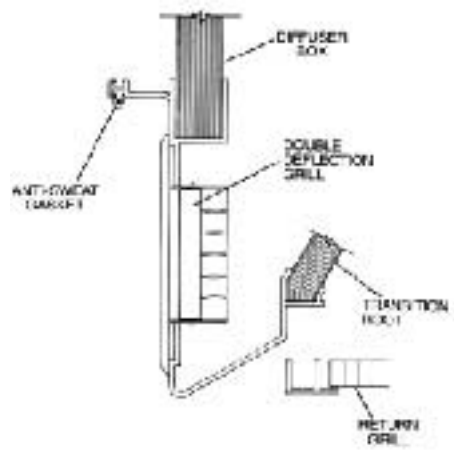
DIMENSIONAL DATA

MODEL No	A	B	C	D	E	F	G	H	I	J	K	L	M	DUCT SIZE
CDK24/36-530	47 ^{5/8}	23 ^{5/8}	11 ^{3/8}	21 ^{1/2}	45	22 ^{1/2}	11 ^{1/2}	10 ^{3/4}	45 ^{1/2}	21 ^{1/2}	7 ^{1/8}	-	-	16RD
CDK42/60-530	47 ^{5/8}	23 ^{5/8}	11 ^{3/8}	21 ^{1/2}	45	22 ^{1/2}	11 ^{1/2}	10 ^{3/4}	45 ^{1/2}	21 ^{1/2}	7 ^{1/8}			18RD
CDK90-530	47 ^{5/8}	29 ^{5/8}	14 ^{3/8}	27 ^{1/2}	45	22 ^{1/2}	11 ^{1/2}	13 ^{3/4}	45 ^{1/2}	27 ^{1/2}	8 ^{1/8}			20RD

MODEL No	A	B	C	D	E	F	G	H	I	J	K	L	M	DUCT SIZE
CDK120-530	47 ^{5/8}	35 ^{5/8}	20 ^{5/8}	33 ^{1/2}	45 ^{1/2}	4 ^{1/2}	18	2 ^{1/2}	28	2 ^{3/4}	45 ^{1/2}	33 ^{1/2}	9 ^{1/8}	18x28
CDK180-530	47 ^{5/8}	47 ^{5/8}	24 ^{5/8}	45 ^{1/2}	45 ^{1/2}	4 ^{1/2}	18	2 ^{1/2}	36	4 ^{3/4}	45 ^{1/2}	45 ^{1/2}	10 ^{1/8}	18x36
CDK240-530	59 ^{5/8}	59 ^{5/8}	30 ^{5/8}	57 ^{1/2}	57 ^{1/2}	4 ^{1/2}	24	2 ^{1/2}	48	4 ^{3/4}	57 ^{1/2}	57 ^{1/2}	11 ^{1/8}	24x48

530 SERIES CONCENTRIC DIFFUSER ENGINEERING DATA

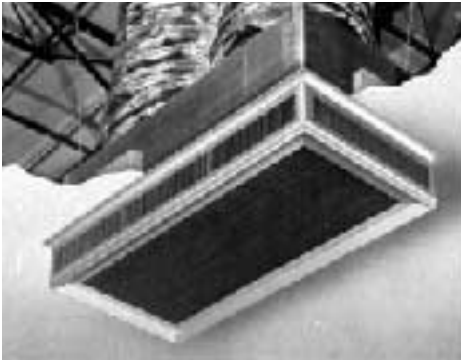
PART No	CFM	Statistic Pressure	Throw Feet	Neck Vel.	Jet Vel.	Noise Level
CDK 24/36-530 (CDK 1-2)	600	.09	8-15	210	210	20
	800	.11	9-16	281	281	20
	1000	.14	10-17	351	351	20
	1200	.17	11-18	421	421	20
	1400	.20	12-19	491	491	20
CDK 42/60-530 (CDK 3)	1000	.14	10-17	351	351	20
	1200	.17	11-18	421	421	20
	1400	.20	12-19	491	491	20
	1600	.24	12-20	561	561	20
	1800	.30	13-21	632	632	20
	2000	.36	14-23	702	702	20
	2200	.40	16-25	772	772	20
CDK 90-530	2600	.17	24-29	669	669	20
	2800	.20	25-30	720	720	25
	3000	.25	27-33	772	772	25
	3200	.31	28-35	823	823	25
	3400	.37	30-37	874	874	30
CDK 120-530	3600	.17	25-33	851	851	30
	3800	.18	27-35	898	898	30
	4000	.21	29-37	946	946	30
	4200	.24	32-40	993	993	30
	4400	.27	34-42	1040	1040	30
CDK 180-530	5600	.36	39-49	920	920	30
	5800	.39	42-51	954	954	30
	6000	.42	44-54	1022	1022	30
	6200	.46	45-55	1056	1056	30
	6400	.50	46-55	1090	1090	30
	6600	.54	47-56	1124	1124	30
CDK 240-530	7200	.39	33-38	827	827	25
	7400	.41	35-40	850	850	25
	7600	.43	36-41	873	873	25
	7800	.47	38-43	896	896	30
	8000	.50	39-44	918	918	30
	8200	.53	41-46	941	941	30
	8400	.56	43-49	964	964	30
	8600	.59	44-50	987	987	30
	8800	.63	47-55	1010	1010	30



TYPICAL SPECIFICATIONS
 Furnish and install McDaniel Metals, Inc. "530 SERIES" concentric diffuser systems. The system shall consist of an aluminum double supply diffuser with an aluminum eggcrate return. ALL EXPOSED SURFACES (BELOW CEILING) MUST BE BRUSHED ALUMINUM. It shall also have a permanent (not adhesive) anti-sweat gasket and hanging supports. All units that are five (5) tons and smaller shall have a molded fiberglass interior transition.

Notes: 1. All data is based on the Air Diffusion Council Guidelines
 2. Throw data is based on Terminal Velocities of 75 FPM using isothermal air
 3. Actual noise levels are less than those shown.
 4. Throw is based on diffuser blades being directed in a straight pattern.

535 SERIES - SIDE DISCHARGE CONCENTRIC DIFFUSER WITH FILTER GRILL



LIGHT COMMERCIAL
PLASTER CEILING



COMMERCIAL
NO CEILING

535 SERIES concentric diffuser systems are designed to provide a single point air distribution system with the added benefit of having directional air control and a return air filter. The systems may be used with either a "T-Bar" ceiling or a plaster ceiling or with no ceiling at all.

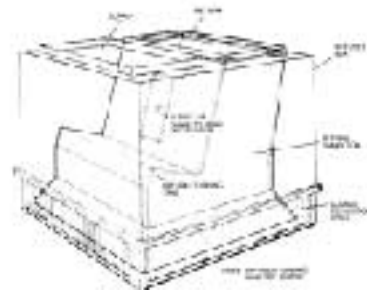
Standard features include:

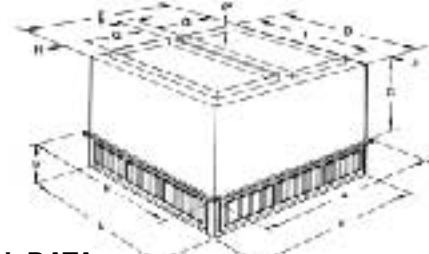
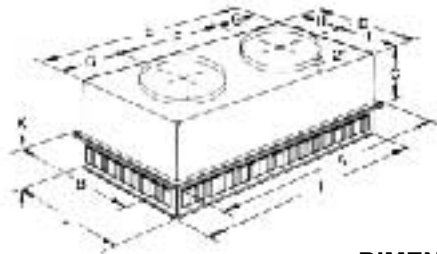
1. All aluminum diffuser with aluminum return air eggcrate.
2. Return air filter grill.
3. Double deflection diffuser with the blades secured by spring steel.
4. Built-In Anti Sweat Gasket.
5. Molded Fiberglass Transition (through five tons).
6. Built-in hanging supports.
7. Diffuser box constructed of fiberglass ductboard (through 7.5 tons) or sheetmetal.

Standard benefits include:

1. Even four (4) way airflow.
2. All exposed surfaces (below ceiling) are brushed aluminum.
3. Factory assembled and sealed.
4. Guaranteed not to "sweat"
5. Guaranteed not to recirculate air flow (short cycle).
6. Filter is removed from inside the conditioned space.
7. Return air eggcrate is easily removed.
8. Units are fully insulated (both supply and return).
9. Lightweight design.

MOLDED CORE
(THRU 5 TONS ONLY)



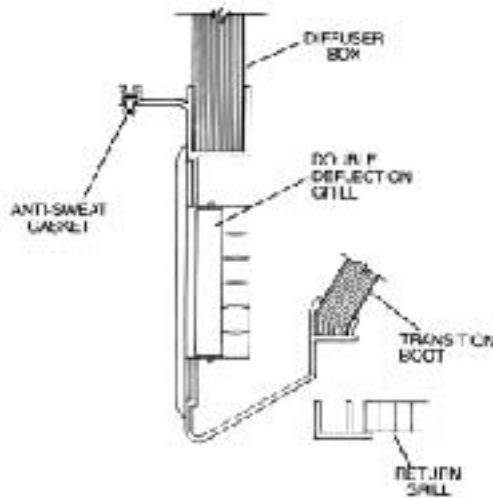


DIMENSIONAL DATA

MODEL No	A	B	C	D	E	F	G	H	I	J	K	L	M	DUCT SIZE
CDK 24/36-535	47 ^{5/8}	23 ^{5/8}	11 ^{3/8}	21 ^{1/2}	45 ^{1/2}	22 ^{1/2}	11 ^{1/2}	10 ^{3/4}	45 ^{1/2}	21 ^{1/2}	7 ^{1/8}	-	-	16RD
CDK 42/60-535	47 ^{5/8}	23 ^{5/8}	11 ^{3/8}	21 ^{1/2}	45 ^{1/2}	22 ^{1/2}	11 ^{1/2}	10 ^{3/4}	45 ^{1/2}	21 ^{1/2}	7 ^{1/8}	-	-	18RD
CDK 90-535	47 ^{5/8}	29 ^{5/8}	14 ^{3/8}	27 ^{1/2}	45 ^{1/2}	22 ^{1/2}	11 ^{1/2}	13 ^{3/4}	45 ^{1/2}	27 ^{1/2}	8 ^{1/8}	-	-	20RD

MODEL No	A	B	C	D	E	F	G	H	I	J	K	L	M	DUCT SIZE
CDK 120-535	47 ^{5/8}	35 ^{5/8}	20 ^{5/8}	33 ^{1/2}	45 ^{1/2}	4 ^{1/2}	18	2 ^{1/2}	28	2 ^{3/4}	45 ^{1/2}	33 ^{1/2}	9 ^{1/8}	18x28
CDK 180-535	47 ^{5/8}	47 ^{5/8}	24 ^{5/8}	45 ^{1/2}	45 ^{1/2}	4 ^{1/2}	18	2 ^{1/2}	36	4 ^{3/4}	45 ^{1/2}	45 ^{1/2}	10 ^{1/8}	18x36
CDK 240-535	59 ^{5/8}	59 ^{5/8}	30 ^{5/8}	57 ^{1/2}	57 ^{1/2}	4 ^{1/2}	24	2 ^{1/2}	48	4 ^{3/4}	57 ^{1/2}	57 ^{1/2}	11 ^{1/8}	24x48

530 SERIES CONCENTRIC DIFFUSER ENGINEERING DATA



PART No	CFM	Static Pressure	Throw Feet	Neck Vel.	Jet Vel.	Noise Level
CDK 24/36-535 (CDK 1-2)	600	.17	8-15	210	210	20
	800	.19	9-16	281	281	20
	1000	.24	10-17	351	351	20
	1200	.28	11-18	421	421	20
	1400	.30	12-19	491	491	20
CDK 42/60-535 (CDK 3)	1000	.24	10-17	351	351	20
	1200	.28	11-18	421	421	20
	1400	.30	12-19	491	491	20
	1600	.35	12-20	561	561	20
	1800	.42	13-21	632	632	20
CDK 90-535	2000	.49	14-23	702	702	20
	2200	.54	16-25	772	772	20
	2600	.28	24-29	669	669	20
	2800	.30	25-30	720	720	25
	3000	.36	27-33	772	772	25
CDK 120-535	3200	.43	28-35	823	823	25
	3400	.50	30-37	874	874	30
	3600	.28	25-33	851	851	30
	3800	.29	27-35	898	898	30
	4000	.31	29-37	946	946	30
CDK 180-535	4200	.35	32-40	993	993	30
	4400	.39	34-42	1040	1040	30
	5600	.49	39-49	920	920	30
	5800	.52	42-51	954	954	30
	6000	.56	44-54	1022	1022	30
CDK 240-535	6200	.60	45-55	1056	1056	30
	6400	.64	46-55	1090	1090	30
	6600	.69	47-56	1124	1124	30
	7200	.52	33-38	827	827	25
	7400	.55	35-40	850	850	25
	7600	.57	36-41	873	873	25
	7800	.61	38-43	896	896	30
	8000	.64	39-44	918	918	30
	8200	.68	41-46	941	941	30
	8400	.70	43-49	964	964	30
8600	.74	44-50	987	987	30	
8800	.80	47-55	1010	1010	30	

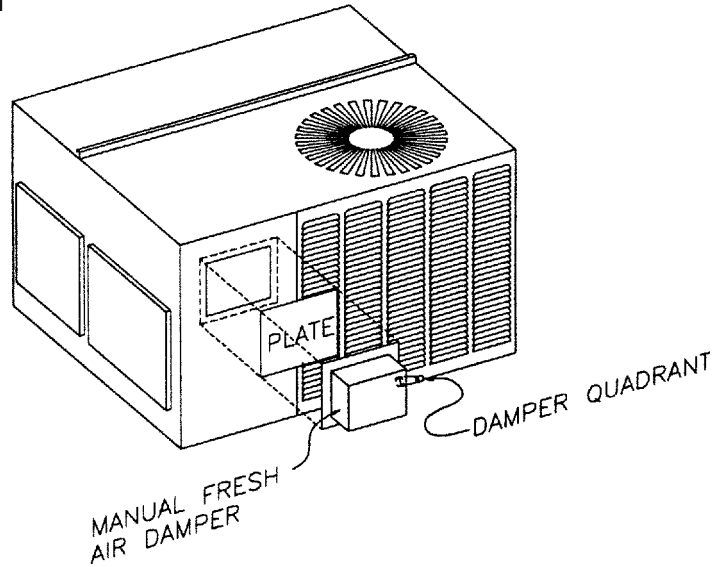
Notes: 1. All data is based on the Air Diffusion Council Guidelines.
 2. Throw data is based on Terminal Velocities of 75 FPM using isothermal air
 3. Actual noise levels are less than those shown.
 4. Throw is based on diffuser blades being directed in a straight pattern.

TYPICAL SPECIFICATIONS

Furnish and install McDaniel Metals, Inc. "535 SERIES" concentric diffuser systems. The system shall consist of an aluminum double deflection supply diffuser with an aluminum eggcrate filter grill return. ALL EXPOSED SURFACES (BELOW CEILING) MUST BE BRUSHED ALUMINUM. It shall also have a permanent (not adhesive) anti-sweat gasket and hanging supports. All units that are five (5) tons and smaller shall have molded fiberglass interior transition.

**PGMDM1-3 & PGMD1-3
MOTORIZED / MANUAL FRESH AIR DAMPER
FOR PGB, PHB, PGJ/024 - 060 PACKAGE UNITS**

Permanent Fixing Mounting Bracket



MANUAL DAMPER

SPECIFICATIONS:

- 1) Provides from 0 to 25% outside air.
- 2) Locking selection knob to maintain constant opening.

MOTORIZED DAMPER

SPECIFICATIONS:

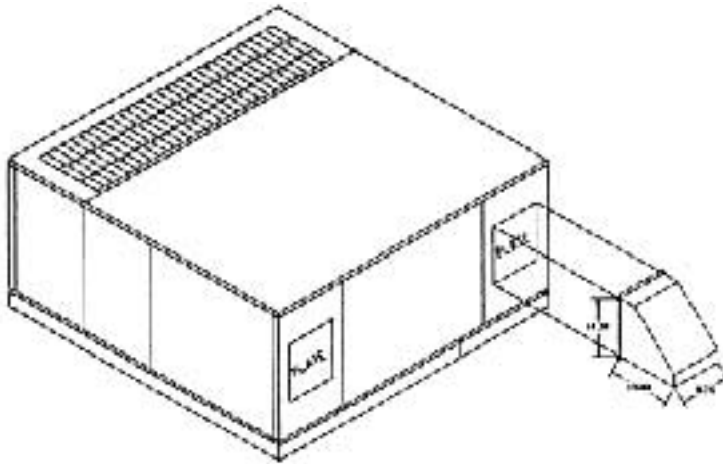
- 1) 24 VAC damper motor with spring return
- 2) Fully assembled and factory wired.

GENERAL

SPECIFICATIONS:

- 1) Painted to match unit.
- 2) All installation hardware and instructions included.

**PGMDM-5 & PGMD-5
MOTORIZED / MANUAL FRESH AIR DAMPER
FOR PGB(PCB)090 - 180 PACKAGE UNITS**



MANUAL DAMPER

SPECIFICATIONS:

- 1) Provides from 0 to 25% outside air.
- 2) Locking selection knob to maintain constant opening.

MOTORIZED DAMPER

SPECIFICATIONS:

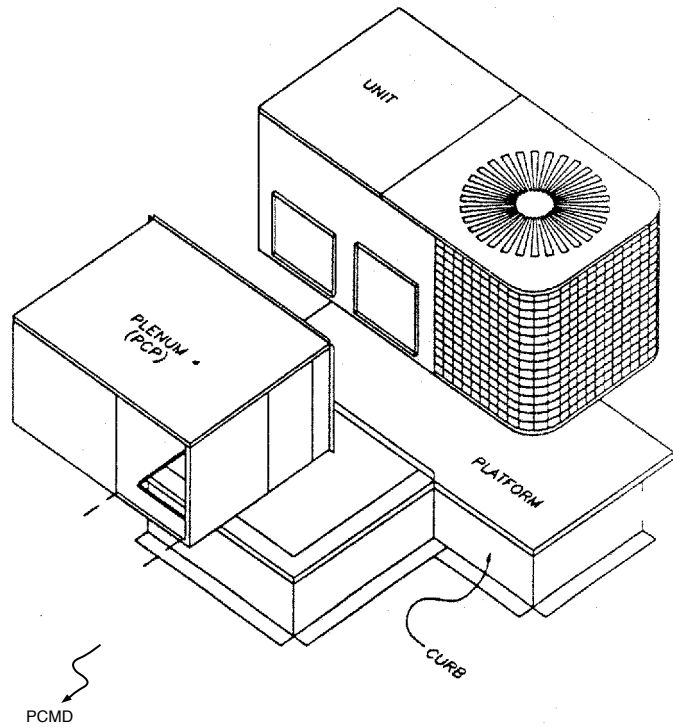
- 1) 24 VAC damper motor with spring return
- 2) Fully assembled and factory wired.
- 3) When installing one motorized fresh air use the damper opening on the evaporator motor drive side of the equipment.

GENERAL

SPECIFICATIONS:

- 1) One manual or motorized fresh air damper can be used for 0 to 25% outside air. Two accessories can be used for up to 50% outside air.
- 2) Painted to match unit.
- 3) All installation hardware and instructions included.
- 4) Permanent Filter size - 14" x 9 1/2"

**PCMD-1, PCMD 2-3
FOR GOODMAN PCK/PHK 024-060 PACKAGE UNITS**

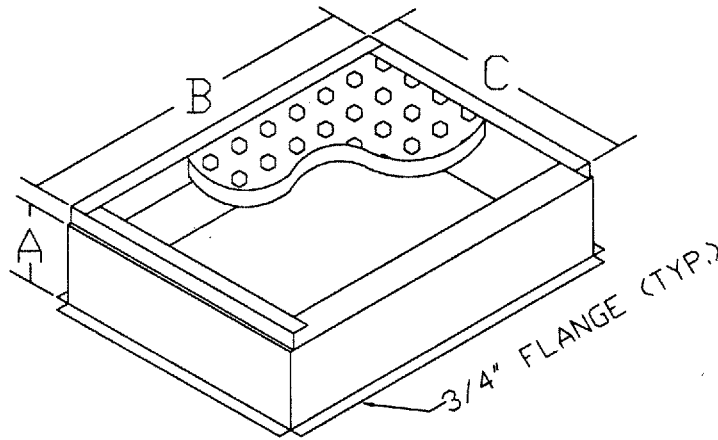


**APPLICATION:
For Use With PCP Plenum**



NOTE: Replaces Economizer access door.

**PGFR-1, -2, -3
DOWNFLOW FILTER RACK
FOR PGB024, PHB, PGJ - 060 PACKAGE UNITS**



MODEL	A	B	C	FILTER SIZE
PGFR-1	43/4	187/8□	153/8□	16 X 18□
PGFR-2	43/4	207/8	153/8	16 X 20
PGFR-3	43/4	277/8□	173/8□	16 X 25□



Note:

PGFR cannot be used with downflow economizers.

HORIZONTAL DUCT CONVERSION KIT ASSEMBLY AND INSTALLATION

ACCESSORY NUMBER PGHDK090/102-5
FOR USE WITH: PGB 090 THRU 102

ACCESSORY NUMBER PGHDK120/180-5
FOR USE WITH: PGB 120 THRU 180

GENERAL

The horizontal air discharge accessory is used to convert a vertical discharge unit to horizontal supply and return air configuration. This accessory is intended to cover the air duct holes in the bottom of the unit, divide the discharge air return airstreams at the back of the unit and provide flanges for duct connections to the unit cabinet. Assembly and installation are the responsibility of the installing contractor.

INSPECTION

Inspect accessory number to assure the unit model is correct. Verify that all parts and quantities of each item as shown below are included.

Quantity	Description
2	Vertical Duct Hole Covers
1	Supply/Return Divider Panel
1	Top Duct Flange Angle
1	Bottom Duct Flange Angle
1	Center Duct Flange Channel
2	Discharge Duct Flange Side Angles
2	Return Duct Flange Side Angles
1	Fastener Package

INSTALLATION

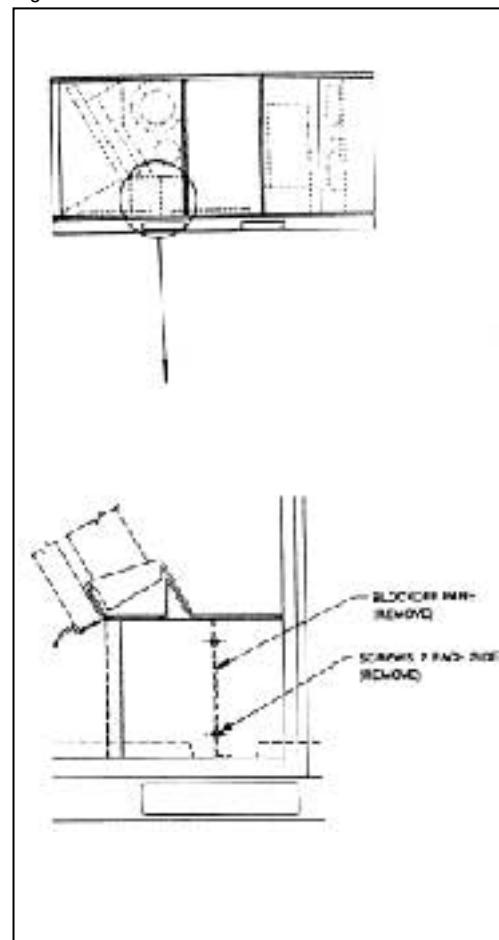
This accessory is to be installed by an experienced installation company and fully trained personnel.

CAUTION: Sheetmetal parts, screws, clips and similar items inherently have sharp edges, and it is necessary that the installer exercise caution.

1. Disconnect electrical power to the unit.
2. Remove back panel and discard.
3. Remove both filter access panels.
4. Remove block-off panel that is located below the fan and evaporator coil section. Refer to Figure1. Remove two screws from each side and remove the panel through the back of the unit (discard panel).

NOTE: Be careful not to damage firestats or the mixed air sensor that may be installed in the block-off panel supports.

Figure 1



HORIZONTAL AIR DISCHARGE CONVERSION ASSEMBLY AND INSTALLATION (cont.)

5. Install the cover panels for the discharge and return air holes in the bottom of the unit. The holes are the same size, and the covers are interchangeable. Insert the cover panel through the back opening in the cabinet turning as necessary to fit through the opening. Center the panel over the duct opening and dress the leading edge on the duct opening flange. Force the panel forward so the panel can drop down into position. Refer to Figure 2. The channels on the cover panel lock the panel in position. Check that the panel is securely engaged.

6. Install the supply/return divider panel through the back opening. Insert the panel at a downward angle so that the panel rests on top of the flanges "A" of the side triangular panels, and the front edge of the panel locks under the flange on the frame filter "B". Secure the panel to the cabinet with two screws.

7. Install the duct flanges to the cabinet and divider panel with screws as indicated. Refer to Figure 3. Apply duct sealant (field supplied) to the top return air angle and around screws to minimize moisture leakage. In addition, installer is responsible for providing a weather tight seal between the duct and the unit.

8. Replace filter access panels.

Figure 2

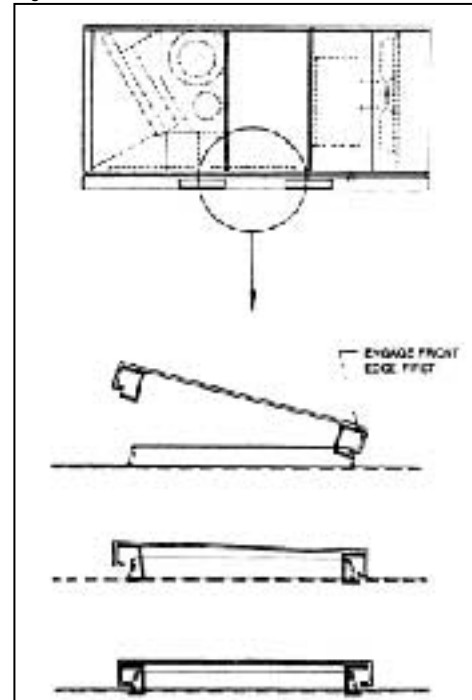
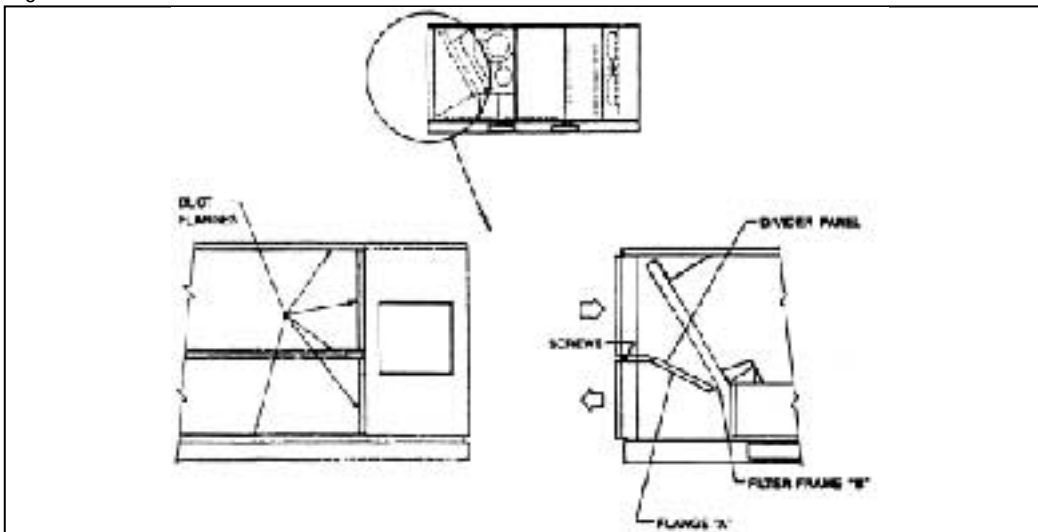
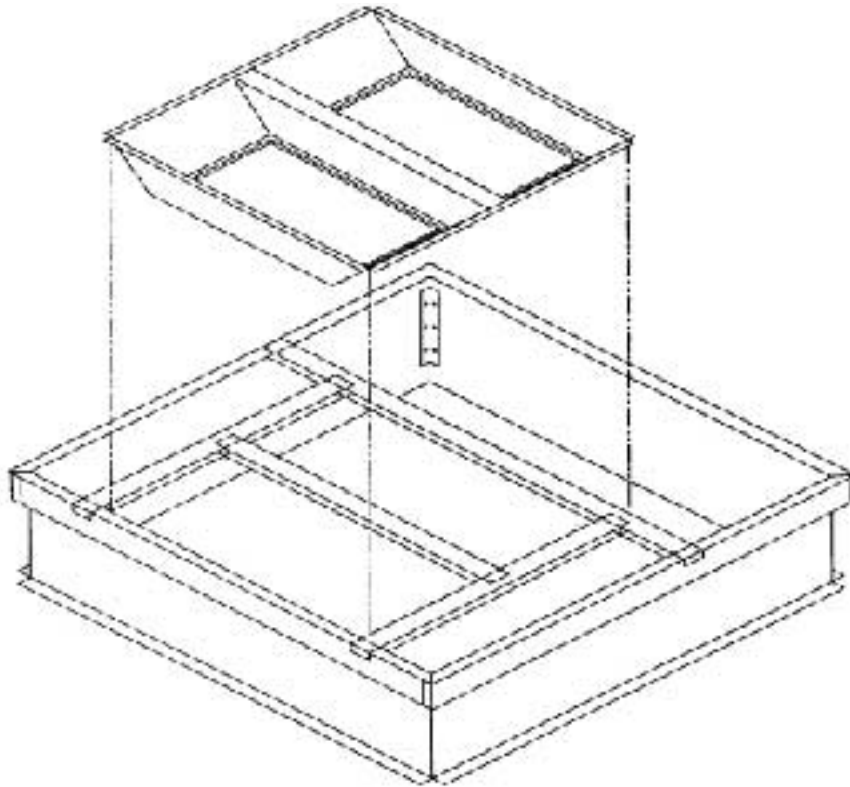


Figure 3



**PGCT120-5
CONCENTRIC TRANSITION
PGB(PCB)120 PACKAGE UNITS**



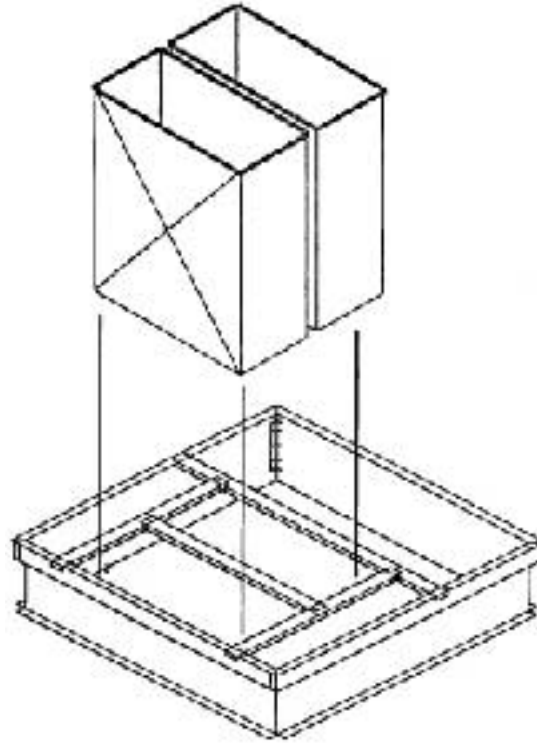
APPLICATIONS

- 1) Concentric Transition can be used in conjunction with PGC-5 Roof Curb to easily connect curb to concentric converter.
- 2) Duct work can be run from Concentric transition to Concentric Converter. Recommended Duct Size 18" X 28"



NOTE: Remove Center Duct Support On PGC-5 when using PGCT120-5

**PGP-5
4" PLENUM DROPS W/CAPS
PGB(PCB) 090/180 PACKAGE UNITS**



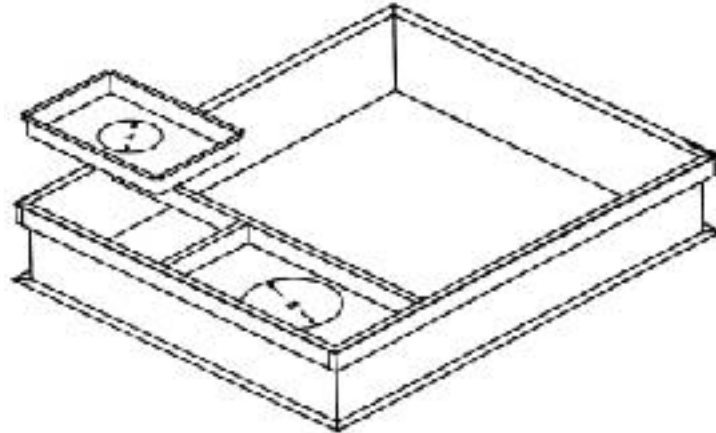
SPECIFICATIONS

1. Constructed of 22 Ga. sheetmetal
2. Insulated with 1" duct liner
3. Pinned
4. S + drive end caps

APPLICATIONS

1. 4' Plenum w/caps can be used in conjunction with PGC-5 Roof Curb to easily connect duct work

SQRPG-1, -2, -3
SQUARE TO ROUND CONVERTER
FOR PGB, PHB, PGJ2024 - 060 PACKAGE UNITS



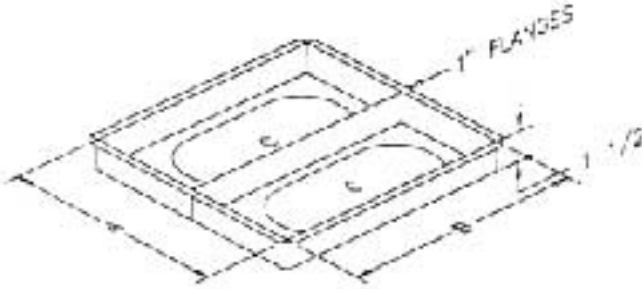
MODEL	A	B
SQRPG-1	14	16
SQRPG-2	16	16
SQRPG-3	16	18

**SQRPC-1 & SQRP-2-3
 SQUARE TO ROUND CONVERTER
 FOR GOODMAN PCK/PHK024 - 060 PACKAGE UNITS**

This square to round converter is used with PCP downflow plenums & PCCP Curb

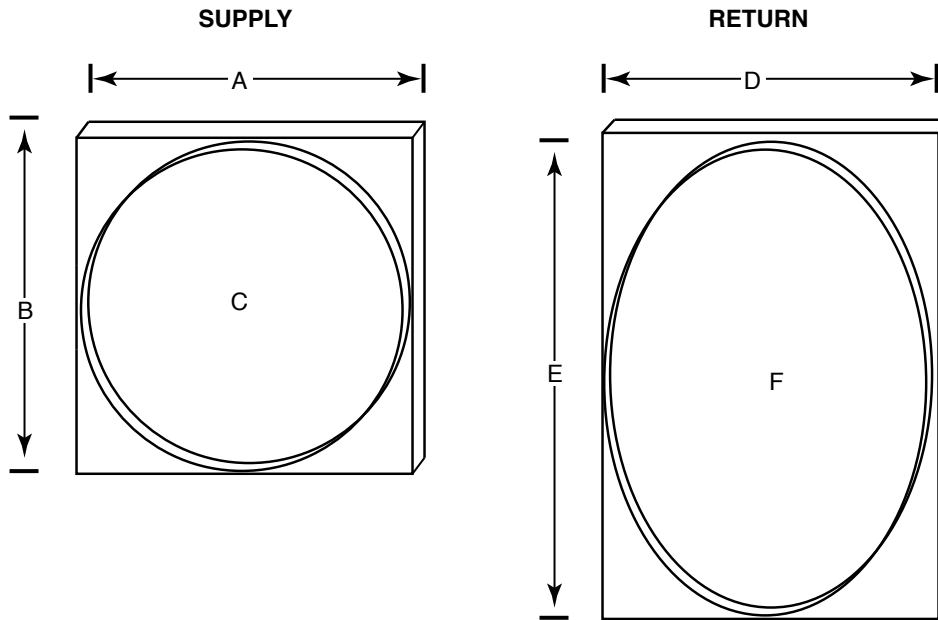
FEATURES:

- 1. 20 ga. galvanized construction
- 2. 1" insulation.



MODEL	A	B	C
SQRPC-1	223/8	29	16
SQRPC 2-3	281/8	29	18

SQRPCH 1,2,3
SQUARE TO ROUND CONVERTER FOR PCK/PHK UNITS (Horizontal Applications)



MODEL	A	B	C	D□	E□	F□
SQRPCH-1	12 ^{1/8}	12 ^{1/8}	12	12 ^{1/8}	20 ^{1/8}	14□
SQRPCH-2	14 ^{1/8}	14 ^{1/8}	14	14 ^{1/8}	22 ^{1/8}	16
SQRPCH-3	14 ^{1/8}	14 ^{1/8}	14	14 ^{1/8}	24 ^{1/8}	18□

**PCEF-1, PCEF 2-3
DOWNFLOW ELBOW & FLASHING
FOR GOODMAN PCK / PHK 024 - 060 PACKAGE UNITS**

FEATURES:

1. 26 ga. galvanized construction.
2. 1" insulation.
3. Fully Assembled.
4. Soldered flashing.
5. Pin Spotted.



MODEL	A	B	C	D	E
PCEF-1	28 1/2	28 1/4	25	20 1/4	20
PCEF-2-3	34 1/2	32 1/4	25	24 1/4	20

Efficient and affordable solutions.

Accommodator

The Accommodator enables the homeowner access to the filter without entering the furnace.

LaborSaver

The Labor Saver enables the homeowner access to the filter without entering the furnace.

Accommodator II

The Accommodator II enables the homeowner access to the filter without entering the furnace.

McDaniel Metals, Inc.

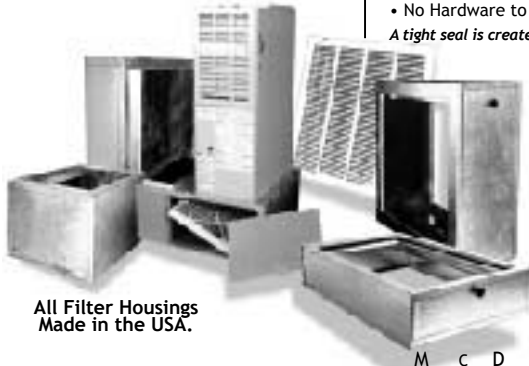


Model ACG & ACE

Available in 8 sizes to handle 1, 2, or 4 inch filters. Also available in 8 sizes to handle 1 or 2 inch filters, for all gas and electric furnaces through 5 tons.

- Accommodates Standard Filters
 - Accommodates Pleated, Electrostatic or Throw Away Filters
 - Embossed Heavy Gauge Steel Construction
 - Completely Insulated
 - Individually Boxed For Convenient Shipping and Warehousing
 - Sizes to Accommodate All Furnaces Through 5 Tons.
 - Access Knob Can Be Positioned Up or Down
- A tight seal is created by gaskets on access door.*

Accommodator



All Filter Housings Made in the USA.



Model LS

- Available in 2 Sizes (1 - 3 Ton) (3.5 - 5 Ton)
 - Adjustable Filter Rack 1", 2", 4"
 - Uses Standard Filter Sizes
 - Easy Access From Both Sides
 - Lined with 1" Insulation
 - Embossed Heavy Gauge Steel Construction
 - Makes Installation Faster and More Efficient
 - Filter Positioned on an Angle for Maximum Surface Area
 - No Hardware to Remove for Filter Access
- A tight seal is created by gaskets on access doors.*

An Affordable Solution For Residential and Light Commercial Applications

LaborSaver

The Accommodator II is easily surface mounted in the location normally occupied by the return air grill of the central heating/cooling system. It can be installed in the wall/ceiling of any residential/commercial structure. Drop down filter door makes easy access to filters and will handle 2000 CFM. Filter may be purchased at your local wholesaler or distributor. Made in USA.

- Available in 4 Sizes (1 - 5 Ton)
- Easy Filter Access Through Hinged Door
- Powder Painted White
- All Steel Construction
- Designed For Ceiling or Wall Applications For Central Return
- Mounts Flush
- Accommodates sizes Through 5 Tons
- Adjustable Filter Rack 1", 2", 4"
- Uses Standard Filter Sizes

Model ACII



• Attractive Design For Today's Homes (New Or Remodeled)

Accommodator II

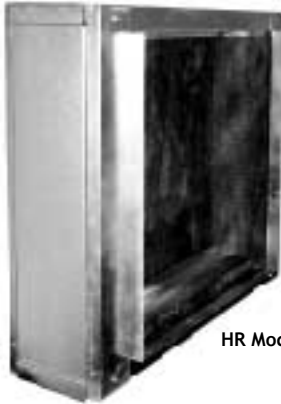
M C D A N I E L M E T A L S

2 8 1 . 9 8 7 . 8 4 0 0

Efficient and affordable solutions.

HORIZONTAL Rack

The Horizontal filter housing gives the home owner the option of a 1", 2" or 4" filter. The Horizontal Filter Housing gives you many choices of filter types and sizes.



HR Model

Available in 4 sizes

- Available In 4 Models: HR and *HRB's.
- Standard Filter 1", 2" or 4"
- For Horizontal Applications
- Individually Boxed For Convenient Shipping And Warehousing
- Completely Insulated
- HR Model Is Open On One Side And Blocked Off On The Other Side, Cut Blocked Side To Your Furnace Specifications
- * HRB Model Is Blocked Off On Both Sides, Cut To Fit Your Furnace Specifications And The Existing Plenum

HORIZONTAL Rack

The concept behind all McDaniel Metals filter Housings is the design of a product that will accommodate a variety of filter types and efficiencies at a very competitive price. In today's age of indoor quality, you cannot have too many filter choices.

Counterflow Filter Housing

The Counterflow Filter Housing enables the homeowner access to the filters without interference from the vent pipe when changing a filter.

- Available In 4 Sizes (1 - 5 ton)
- Accommodates Standard Filters 10x20x1
- Counterflow Housing
- Embossed Heavy Gauge Steel Construction
- Completely Insulated
- Easy Access To Filters
- Filters Positioned On Angles For Maximum Surface Area



CF MODEL

Counterflow Filter Housing

Accommodator

The Accommodator III enables the homeowner a wide variety of filter choices and efficiencies.

- Available In 1 Size (20x25)
- Adjustable Filter Track Accommodates 1" - 7" Filter Widths
- Embossed Heavy Gauge Steel Construction
- Completely Insulated
- Easy Access To Filters
- Designed For Side Return Or Horizontal Return Applications
- Accommodates Pleated, Electrostatic Or Throwaway Filters
- Also Any Manufactured Replacement Cardboard Framed Media Filters *i.e. Honeywell, Trion and Whiterogers.*
- Outside Dimension W 25 1/2 H 23 3/4 D 9 1/2
- Flange Opening W 22 1/2 H 20
- Non-flange Opening w 21 3/8 H 19 3/8

A tight seal is created by gaskets on access door.



ACIII MODEL

Accommodator

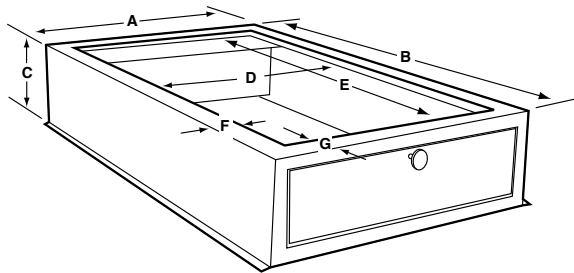


GAS FURNACE ACCESSORIES



The Accommodator: Making your customer's filter changes convenient.

- No Furnace Panels or Door To Remove
- Uses Standard Size Filters
- Heavy-Gauge Steel Construction
- Filter Base Is Insulated On All 4 Sides
- Makes A Professional Installation



Short base handles 1" & 2" filters. Height 3³/₄"
 Tall base handles 1", 2" & 4" filters. Height 5³/₄"

Up-Flo Gas Furnaces

MODEL NUMBER	FILTER BASE REQUIRED	MODEL NUMBER	FILTER BASE REQUIRED
GMP050-3	ACG1425-3"/6"	GMPV100-3/5	ACG2025-3"/6"
GMP075-3	ACG1425-3"/6"	GMPV125-3/5	ACG2025-3"/6"
GMP075-4	ACG1625-3"/6"	GMN060-3	ACG1425-3"/6"
GMP100-5	ACG2025-3"/6"	GMN080-4	ACG1625-3"/6"
GMP125-4	ACG2025-3"/6"	GMN100-4	ACG2025-3"/6"
GMP125-5	ACG2025-3"/6"	GMN120-5	ACG2424-3"/6"
GMPV075-1 5/3	ACG1625-3"/6"		

Physical Data & Specifications

*3 represents 3³/₄" overall height of filter base.
(handles 1 or 2 inch filters)

*6 represents 5³/₄" overall height of filter base.
(handles 1, 2, or 4 inch filters)

MODEL NUMBER	OVERALL			OPENING		TOP		FILTER SIZE
	A	B	C	D	E	F	G	
*ACG1425-3/6	15 ³ / ₈	28 ³ / ₈	3/6	12 ⁷ / ₈	26	1 ¹ / ₂	1	1425
*ACG1625-3/6	17 ³ / ₈	28 ³ / ₈	3/6	14 ⁷ / ₈	26	1 ¹ / ₂	1	1625
*ACG2025-3/6	21 ³ / ₈	28 ³ / ₈	3/6	18 ⁷ / ₈	26	1 ¹ / ₂	1	2025
*ACG2424-3/6	25 ³ / ₈	28 ³ / ₈	3/6	22 ⁷ / ₈	26	1 ¹ / ₂	1	2424

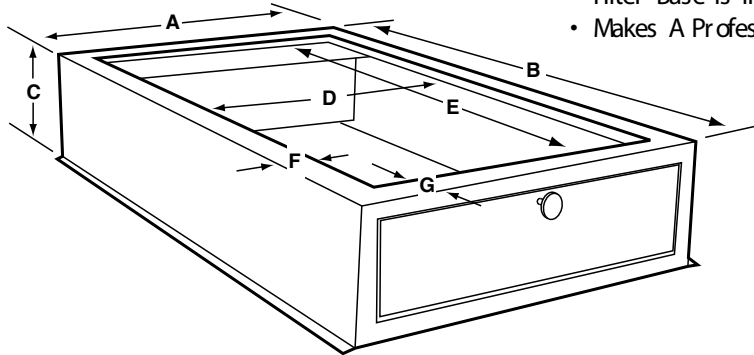


Made in USA



The Accommodator: Making your customer's filter changes convenient.

- No Furnace Panels or Door To Remove
- Uses Standard Size Filters
- Heavy-Gauge Steel Construction
- Filter Base Is Insulated On All 4 Sides
- Makes A Professional Installation



Heat Pump Air Handlers and Fan Coil Units

MODEL NUMBER	FILTER BASE REQUIRED	MODEL NUMBER	FILTER BASE REQUIRED
FCP24	ACE1420-3"/6"	FCP60	ACE2025-3"/6"N
FCX24	ACE1420-3"/6"	FCX60	ACE2025-3"/6"N
FCP30	ACE1420-3"/6"		
FCP36	ACE1620-3"/6"		
FCX36	ACE1620-3"/6"		
FCP42	ACE1620-3"/6"		
FCP48	ACE2020-3"/6"		
FCX48	ACE2025-3"/6"N		

Physical Data & Specifications

*3 represents 3³/₄" overall height of filter base. (handles 1 or 2 inch filters)

*6 represents 5³/₄" overall height of filter base. (handles 1, 2, or 4 inch filters)

MODEL NUMBER	OVERALL			OPENING		TOP		FILTER SIZE
	A	B	C	D	E	F	G	
*ACE1420-3/6	15 ³ / ₈	22	3/6	13 ⁷ / ₈	19	1 ¹ / ₂	1	1420
*ACE1620-3/6	17 ³ / ₈	22	3/6	14 ⁷ / ₈	19	1 ¹ / ₂	1	1620
*ACE2020-3/6	21 ³ / ₈	22	3/6	18 ⁷ / ₈	19	1 ¹ / ₂	1	2020
*ACE2025-3/6	26 ³ / ₈	22	3/6	23 ⁷ / ₈	19	1 ¹ / ₂	1	2025
*ACE2025N-3/6	26 ³ / ₈	22	3/6	22 ⁵ / ₈	19	1 ¹ / ₂	1	2025



Made in USA

Labor Saver Filter Housing

For An Easy Installation



- Adjustable Filter Rack 1", 2", 4"
- Uses Standard Filter Sizes
- Easy Access From Both Sides
- Available in 4 Sizes (1.5 - 3 Ton)
(3.5 - 5 Ton)
- No need to construct platform
saves time and money
- Lined with 1" Insulation
- Embossed Heavy Gauge
Steel Construction
- Filter Positioned on an Angle
for Maximum Surface Area
- No Hardware to Remove for
Filter Access
- Made In USA
- Designed for gas furnaces
- Electric Air Handles

Labor Saver Filter Housing

An Affordable Solution for Residential and Light Commercial Applications. The Labor Saver enables the homeowner access to the filter without entering the furnace.

For An Easy Installation

The Labor Saver enables the homeowner access to the filter without entering the furnace

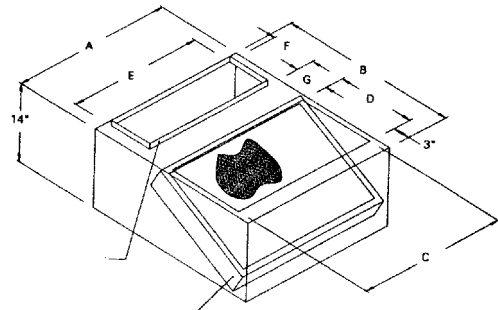
Labor Saver Filter Housing

For An Easy Installation



- The Labor Saver Filter Housing is Easily Installed with Most Central Heating & Cooling Systems
- The Labor Saver Was Designed For The New Age of Shortened Furnaces
- The Labor Saver Allows Installation To Be Fast & Efficient By Raising The Furnace To The Plenum
- In Most Cases Eliminates Dual Side Returns

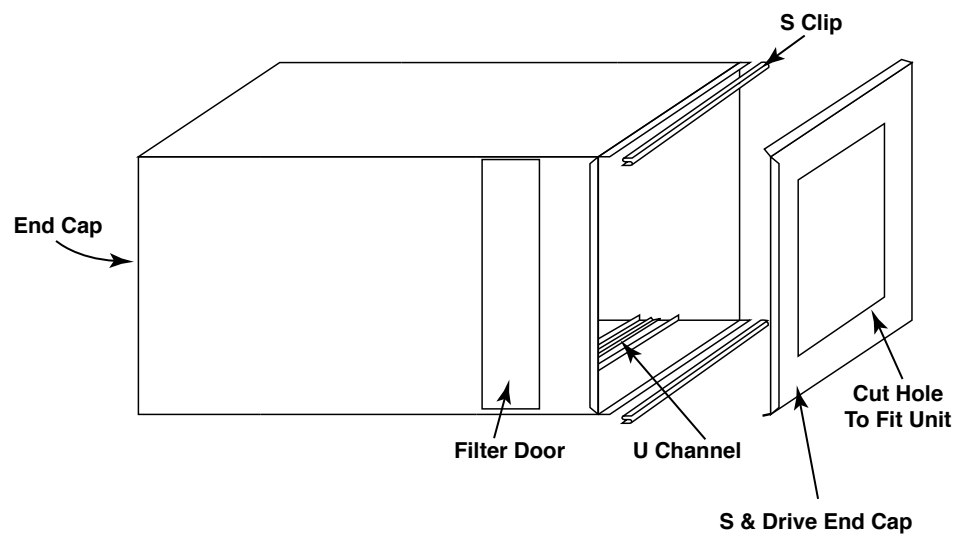
- Labor Saver Was Designed To Save Contractor Time and Labor With A Professional Installation.
- With the Labor Saver you have 1", 2", or 4" Filter Option
- Filter May Be Purchased At Your Local Wholesaler or Distributor
- Made in USA



Labor Saver Filter Housing

MODEL	A	B	C	D	E	F	G	FILTER SIZE STANDARD
LS 2832	28 1/2	32	26 1/2	13 1/2	24	8	6	20 X 25
LS 2840	28 1/2	40	26 1/2	19	24	10	7	24 X 24
LS 2232	22 1/2	32	20 1/2	14 1/2	20 1/2	9 1/2	5	20 X 20
LS 2240	22 1/2	40	20 1/2	20	20 1/2	12	5	20 X 25

**RAFP 2025
RETURN AIR FILTER PLENUM**



1. Cut hole in S & drive endcap to fit unit return air and attach to unit
2. Attach plenum to S & drive end cap using S's & drives provided
3. Install desired filter and door

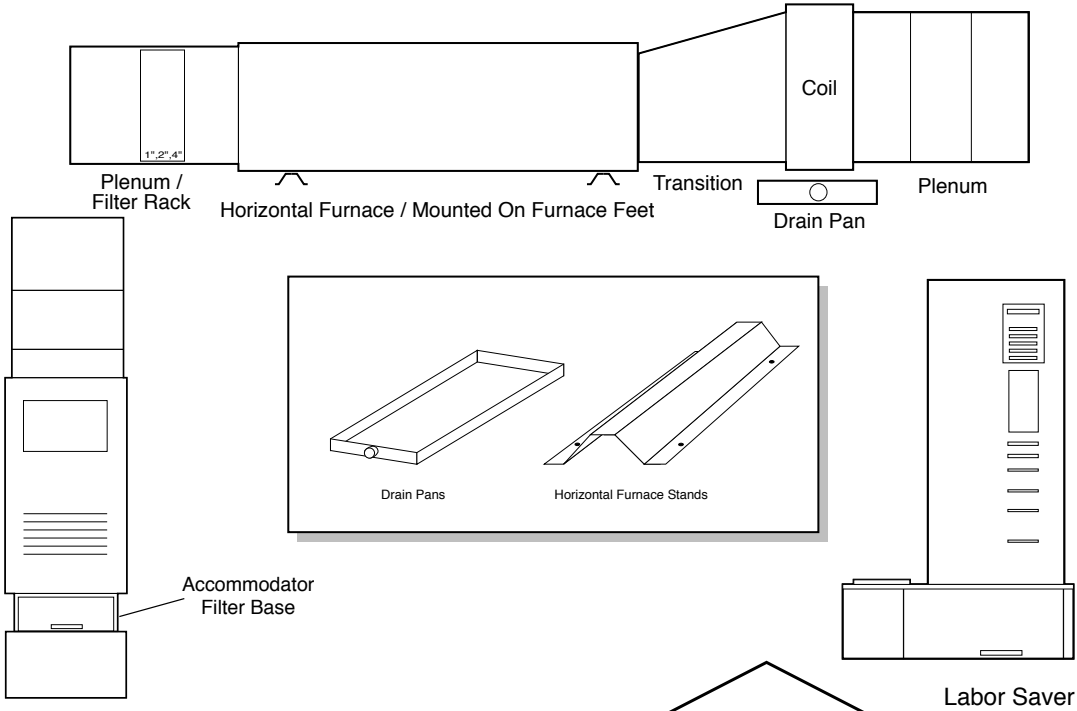
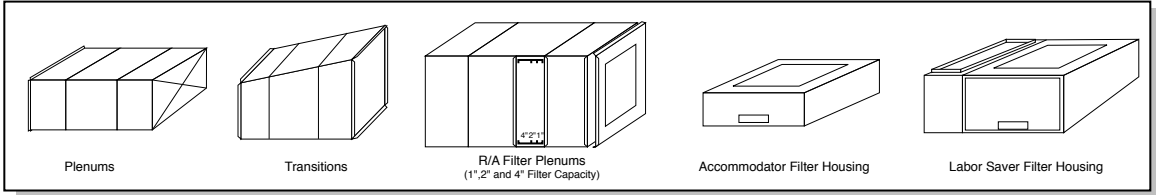


Note: For 4" filter, remove U Channel Spacers.



Available in 2' or 3' lengths
Fits most furnaces & air handlers through 5 ton.

PLENUMS • TRANSITIONS • FILTER HOUSING



- All Transitions, Plenums, and Return Air Cars are Individually Boxed and Labeled to Your Specification
- Boxing Makes Warehousing and Shipping Much More Efficient And Convenient with Less Damage and Injury
- Heavy Ga. Steel Drain Pans with Welded Corners and Welded Steel Nipples.
- Transitions, Plenums, Return Air Cars Vary in Size and Styles Let us Quote You on the Requirements in Your Market.

